



ICE MACHINE

SAFETY INFORMATION3

USING THE ICE MACHINE

Packaging5

Controls5

Features6

Starting the Ice Machine6

INSTALLATION INSTRUCTIONS

Grounding the Ice Machine.....7

Before You Begin.....7

Location and Preparation.....7

Advance Planning9

Dimensions10

Door Swing11

Door Panel.....12

Handle Reversing Instructions.....14

Plumbing14

Placement of the Ice Machine15

CARE AND CLEANING16

TROUBLESHOOTING TIPS.....19

LIMITED WARRANTY 20

ACCESSORIES21

CONSUMER SUPPORT 24

**OWNER'S MANUAL
AND INSTALLATION
INSTRUCTIONS**

UNC15

**ENGLISH/FRANÇAIS/
ESPAÑOL**

Write the model and serial numbers here:

Model # _____

Serial # _____

Find these numbers on a label on the top inner case liner of the unit toward the front.

THANK YOU FOR MAKING GE APPLIANCES A PART OF YOUR HOME.

Whether you grew up with GE Appliances, or this is your first, we're happy to have you in the family.

We take pride in the craftsmanship, innovation and design that goes into every GE Appliances product, and we think you will too. Among other things, registration of your appliance ensures that we can deliver important product information and warranty details when you need them.

Register your GE appliance now online. Helpful websites and phone numbers are available in the Consumer Support section of this Owner's Manual. You may also mail in the pre-printed registration card included in the packing material.



IMPORTANT SAFETY INFORMATION

READ ALL INSTRUCTIONS BEFORE USING THE APPLIANCE

⚠ WARNING To reduce the risk of fire, explosion, electric shock, or injury when using your ice machine follow these basic safety precautions:

- This ice machine must be properly installed and located in accordance with the Installation Instructions before it is used.
- Unplug the appliance before making repairs, replacing a light bulb, or cleaning.
NOTE: Power to the appliance cannot be disconnected by any setting on the control panel.
NOTE: Repairs must be performed by a qualified service professional.
- Replace all parts and panels before operating.
- Do not store or use gasoline or other flammable vapors and liquids in the vicinity of this or any other appliance.
- Because of potential safety hazards under certain conditions, we strongly recommend against the use of an extension cord. However, if you must use an extension cord, it is absolutely necessary that it be a UL-listed (in the United States) or a CSA certified (in Canada), 3-wire grounding type appliance extension cord having a grounding type plug and outlet and that the electrical rating of the cord be 15 amperes (minimum) and 120 volts.
- To prevent suffocation and entrapment hazards to children, remove the door from any appliance before disposing of it or discontinuing its use.
- Do not allow children to climb, stand or hang on the door handle of the appliance. They could seriously injure themselves.
- Ice machine scale remover contains acids. Acids can cause burns. If concentrated cleaner comes in contact with skin, flush with water. If swallowed, do NOT induce vomiting. Drink large amounts of water or milk. Call Physician immediately. Keep out of the reach of children.

⚠ CAUTION To reduce the risk of injury when using your appliance, follow these basic safety precautions.

- Keep fingers out of the “pinch point” areas; clearances between the doors and between the doors and cabinet are necessarily small. Be careful closing doors when children are in the area.
- Avoid contact with the moving parts of the ejector mechanism, or with the heating element that releases the cubes. Do not place fingers or hands on the automatic ice making mechanism while the ice machine is plugged in.

INSTALLATION

⚠ WARNING  **EXPLOSION HAZARD**

Keep flammable materials and vapors, such as gasoline, away from appliance. Failure to do so can result in fire, explosion, or death.

READ AND SAVE THESE INSTRUCTIONS

IMPORTANT SAFETY INFORMATION

READ ALL INSTRUCTIONS BEFORE USING THE APPLIANCE

OUTDOOR USE NOTICE

KEEP FROM FREEZING: Severe damage will occur to the unit if left in or operated in temperatures beyond the limits listed in this manual. That damage is NOT covered by warranty.

KEEP DRY: Do not locate in low lying areas where puddles will accumulate

PROVIDE SHADE: Heat gain from the sun will reduce the unit's ability to make and store ice, and ultraviolet radiation from the sun can potentially damage the unit's plastic components.

WATER SUPPLY: Avoid a long run of hose or tubing exposed to the sun. Plastic water supply tubing should be rated for potable water and include UV protection. Copper tubing is recommended.

BACK FLOW PREVENTION: The unit includes back flow prevention, no additional check valve is required.

DRAINAGE: DO NOT drain into swimming pool or onto grounds.

CONNECTING ELECTRICITY

WARNING **ELECTRICAL SHOCK HAZARD**

Plug into a grounded 3-prong outlet

Do not remove the ground prong

Do not use an adapter

Failure to follow these instructions can result in death, fire, or electrical shock.

Do not, under any circumstances, cut or remove the third (ground) prong from the power cord. For personal safety, this appliance must be properly grounded.

The power cord of this appliance is equipped with a 3-prong (grounding) plug which mates with a standard 3-prong (grounding) wall outlet to minimize the possibility of electric shock hazard from this appliance.

Have the wall outlet and circuit checked by a qualified electrician to make sure the outlet is properly grounded.

Where a standard 2-prong wall outlet is encountered, it is your personal responsibility and obligation to have it replaced with a properly grounded 3-prong wall outlet.

The ice maker should always be plugged into its own 115 volt, 60 Hz, 15 amp circuit. This provides the best

performance and also prevents overloading house wiring circuits which could cause a fire hazard from overheated wires.

Never unplug your ice maker by pulling on the power cord. Always grip plug firmly and pull straight out from the outlet.

Repair or replace immediately all power cords that have become frayed or otherwise damaged. Do not use a cord that shows cracks or abrasion damage along its length or at either end.

When moving the ice maker, be careful not to roll over or damage the power cord.

PROPER DISPOSAL OF YOUR OLD APPLIANCE

WARNING **SUFFOCATION AND CHILD ENTRAPMENT HAZARD**

Remove the door from the appliance prior to disposal. Failure to do so can result in child entrapment which can lead to death or brain damage.

IMPORTANT: Child entrapment and suffocation are not problems of the past. Junked or abandoned appliances are still dangerous even if they will sit for "just a few days." If you are getting rid of your old appliance, please follow the instructions below to help prevent accidents.

Before You Throw Away Your Old Appliance:

- Take off the doors.

- Leave the internal components in place so that children may not easily climb inside.

Refrigerants

All refrigeration products contain refrigerants, which under federal law must be removed prior to product disposal. If you are getting rid of an old refrigeration product, check with the company handling the disposal about what to do.

READ AND SAVE THESE INSTRUCTIONS

Packaging

Remove Packaging

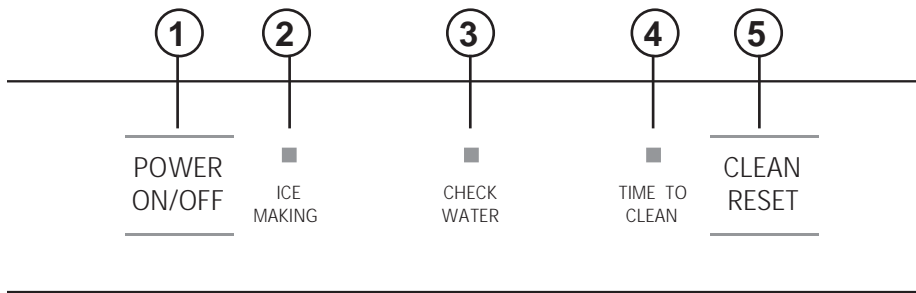
IMPORTANT: Do not remove any permanent instruction labels inside your ice machine or the Tech Sheet that is fastened behind the lower access panel.

- Remove tape and any labels from your ice maker before using (except the model and serial number label).

To remove any remaining tape or glue, rub the area briskly with your thumb. Tape or glue residue can also be easily removed by rubbing a small amount of liquid dish soap over the adhesive with your fingers. Wipe with warm water and dry.

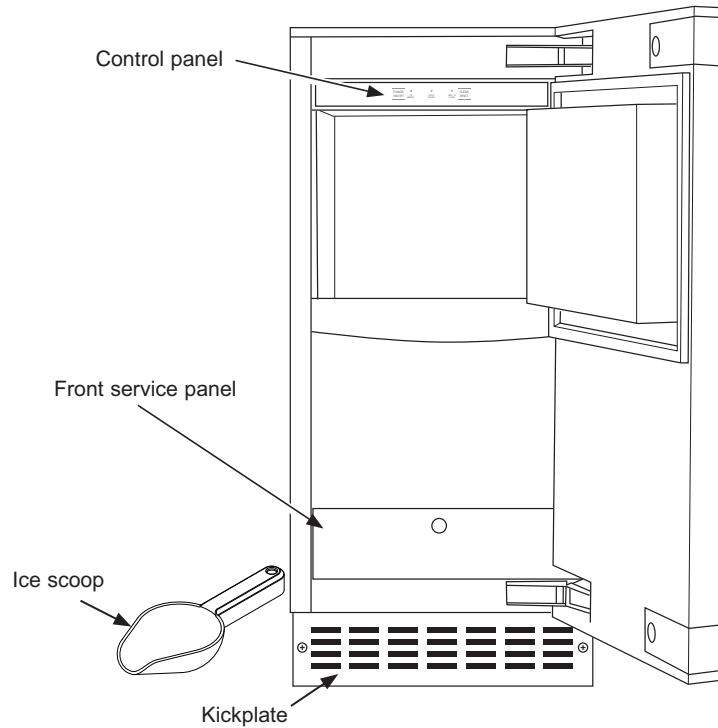
- Do not use sharp instruments, rubbing alcohol, flammable fluids or abrasive cleaners to remove tape or glue. These products can damage the surface of your ice maker. For more information, see Important Safety Instructions.

Controls



- 1. POWER ON/OFF** - Press to turn the ice machine on or off.
- 2. ICE MAKING** - Glows white when the unit is ON.
- 3. CHECK WATER** - Glows red when there is not water supplied to the machine.
- 4. TIME TO CLEAN** - Glows yellow when it's time to clean the machine. The light will switch ON after 6 months of use. It will remain on until the ice making system is cleaned using the process in the Care and Cleaning section.
- 5. CLEAN RESET** - Pressed with Power button for 5 seconds to start the cleaning process (see Care and Cleaning).

Features

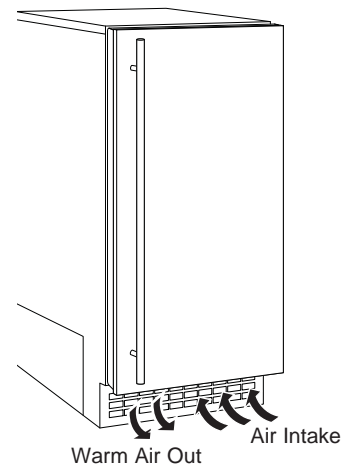


Starting the ice machine

This machine takes in room temperature air at the lower right front and forces warm air out the lower left front. Restricting the airflow or operating the machine in a hot or cold environment will adversely affect the ability of the ice machine to make ice.

When the door is opened, the control panel, ice making area and ice storage bin are visible. The scoop is located in a holder along the right side wall.

This is a gravity drain model that must have a building drain connection below the level of the drain tube at the back of the cabinet. A pump can be installed, which can force drain water up a maximum of 10 feet, allowing it to be located where a gravity drain isn't available. See **Accessories** on page 21 for more information on the drain pump.



Initial Start Up

1. Turn on the water supply.
2. Switch on the electrical power.
3. Push and release the ON/OFF switch to start the machine. The ICE MAKING light next to the ON/OFF switch will glow white.

It will take about 10 minutes for the ice machine to begin dropping nugget ice into the storage bin. It is normal for that ice to melt and continue to melt but at a slower rate as the bin cools. It will take about 6-7 hours to fill up the ice storage bin. The storage bin holds about 20 lbs of ice when full.

Discard the first bin full of ice.

Installation Instructions

ICE MACHINE

Questions? Call 800.GE.CARES (800.432.2737) or visit our Website at: GEAppliances.com
 In Canada, call 1.800.561.3344 or visit our Website at: GEAppliances.ca

GROUNDING THE ICE MACHINE

⚠ WARNING  **Electrical Shock Hazard.**

Failure to follow these instructions can result in death, fire, or electrical shock.

The power cord of this appliance is equipped with a 3-prong (grounding) plug which mates with a standard 3-prong (grounding) wall outlet to minimize the possibility of electric shock hazard from this appliance. Have the wall outlet and circuit checked by a qualified electrician to make sure the outlet is properly grounded.

Where a standard 2-prong wall outlet is encountered, it is your personal responsibility and obligation to have it replaced with a properly grounded 3-prong wall outlet.

DO NOT, UNDER ANY CIRCUMSTANCES, CUT OR REMOVE THE THIRD (GROUND) PRONG FROM THE POWER CORD.

DO NOT USE AN ADAPTER PLUG TO CONNECT THE APPLIANCE TO A 2-PRONG OUTLET.

DO NOT USE AN EXTENSION CORD WITH THIS APPLIANCE.

BEFORE YOU BEGIN

Read these instructions completely and carefully.

- **IMPORTANT** — Observe all governing codes and ordinances. Save these instructions for local inspector's use.
- **Note to Installer** – Be sure to leave these instructions with the Consumer.
- **Note to Consumer** – Keep these instructions for future reference.
- **Skill level** – Installation of this appliance requires basic mechanical skills.
- **Completion time** – Installation can vary
 - Water Line Installation 30 minutes
- Proper installation is the responsibility of the installer.
- Product failure due to improper installation is not covered under the Warranty.

ICE MACHINE LOCATION AND PREPARATION

This ice machine is designed to be used indoors, in a controlled environment or outdoors within certain limits.

It is made up of two major systems: the ice making system and the ice storage system. The ice making system is a continuous flow that makes ice when the ice level becomes low and stops when it is full.

The ice storage system is an insulated chest with a drain at the bottom for melting ice. It is not refrigerated, insuring that the bin contains fresh ice.

During ice making, nugget ice will drop into the bin at an irregular rate; sometimes there will be little ice falling while other times a group of nuggets will fall.

IMPORTANT: Never keep anything in the ice storage bin that is not ice. Objects like wine or beer bottles are not only unsanitary, but the labels can slip off and plug up the drain.

IMPORTANT: Never allow the machine to operate without regular cleaning. The machine will last longer if it is kept clean. Regular cleaning should happen at least once per year, and preferably twice. Some water conditions will dictate even more frequent cleaning of the ice making section, and some carpets or pets will dictate more frequent cleaning of the condenser.

Specifications

The ice machine will operate adequately within the limits, but functions best in temperatures between 60°F and 80°F.

- Minimum air temperature: 50°F (10°C)
- Maximum air temperature: 100°F (38°C)
- Minimum water temperature: 40°F (4.5°C)
- Maximum water temperature: 90°F. (32°C)
- Minimum water pressure: 20 psi (1.4 bar)
- Maximum water pressure: 80 psi (5.5 bar)

Electrical voltage limits:

See the Rating Plate inside the ice machine.

Installation Instructions

ICE MACHINE LOCATION AND PREPARATION (Cont.)

Utility and Operational Requirements

- This ice machine must be connected to a potable water supply.
- The water supply must have a conductivity of at least 10 microSiemens/cm.

The water to this ice machine must be potable, or fit for human consumption. During ice making some minerals will stick to the ice making components. The higher the mineral content, the more mineral build up will occur. **Water filters** are a partial help, as they will remove the suspended solids, but water treatment is needed for the dissolved solids, which are part of the water and cannot be filtered out. We recommend using a GE Appliances Water Filter on your water inlet line such as GE Appliances Model Number GXRTLL. Please go to **GEAppliances.com** to review the installation instructions and determine which filter will suit your application. In Canada visit **GEAppliances.ca**.

This machine can be supplied with Reverse Osmosis water, but the water conductivity must be no less than 10 microSiemens/cm. A reverse osmosis system should include post treatment or blending to satisfy the R.O. water's potential aggressiveness.

Deionized water is not recommended and could damage the machine.

Because water softeners exchange one mineral for another, softened water may not improve water conditions when used with ice machines.

- Minimum water pressure: 20 psi
- Maximum water pressure: 80 psi
- Minimum water temperature: 40°F
- Maximum water temperature: 90°F.

This ice machine is designed to operate in a wide range of air temperatures with a minimum air temperature of 50°F and a maximum air temperature of 100°F.

Although the machine will function within the listed ranges, it works best at water temperatures between 50°F and 60°F and air temperatures between 60°F and 80°F.

NOTE: Ice making capacity goes down as the environmental temperatures go up, and will be severely reduced at temperatures over 90°F.

Operating a unit outside of the limits can cause problems that are not covered by the warranty and, if extreme, cause damage to the unit.

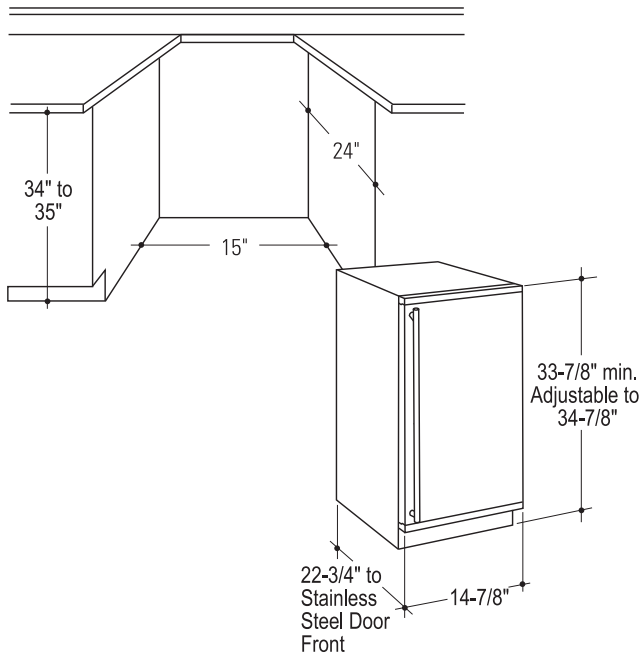
This machine can be built into a cabinet. It is an air cooled refrigeration system. Air flows in and out of it through the grill at the bottom front. The grille must not be blocked by any covering door, or other obstruction.

Installation Instructions

ADVANCE PLANNING

CAUTION Due to excessive weight, **TWO PEOPLE ARE REQUIRED TO MOVE AND INSTALL THIS** ice maker. Failure to do so can result in back or other injury.

Cutout & Product Dimensions



Installation Notes

A drain pump is available for this ice machine. The drain pump kit number is UPK3 and is available at GEApplianceparts.com or by calling 877-959-8688. In Canada visit GEAppliances.ca or call 800.561.3344.

Built-In Installation: If a finished floor is to be installed in the area after the ice machine has been built in, shims the expected thickness of the floor should be installed under the unit to keep the machine level with the planned floor level.

NOTE: The water connection is at the back and adds a few inches to the cabinet depth.

Installation on a slab: You will need to install a drain pump to the appliance and pump the water to the point of drainage. See **Accessories**. Pumps will pump 1 story (10 feet) high.

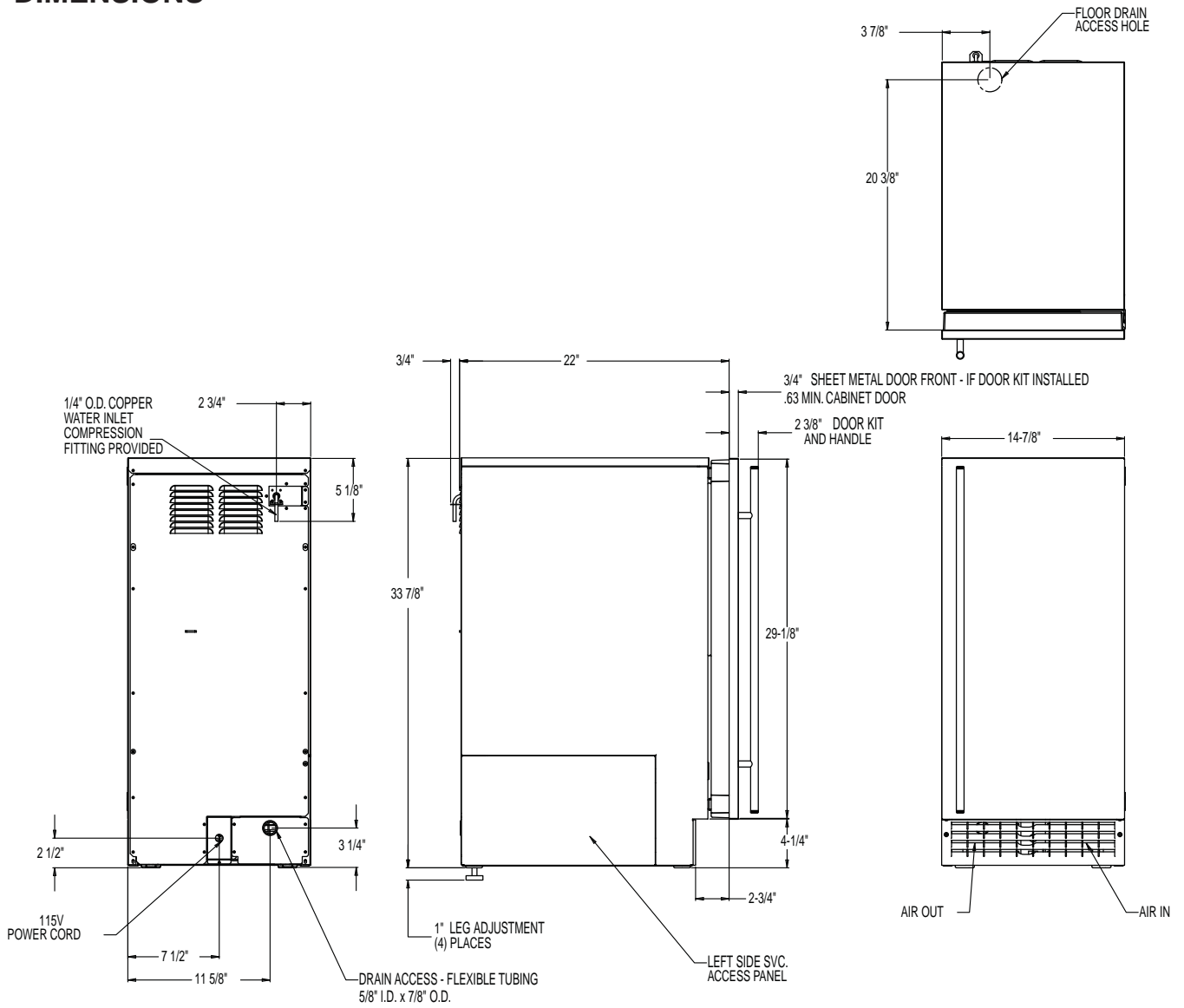
Installation over a crawl space or basement: Either a gravity drain or a pump may be used. For pump, see **Accessories**. If there is not enough room behind the machine for a drain/waste receptacle, the drain will have to be below the floor.

NOTE: When installed in a corner, the door swing may be limited due to handle contact with the wall or cabinet face.

A water supply is required. Water supplies vary in the degree of mineral content. High mineral content water will require more frequent maintenance. Water filtration may improve the taste of the ice as well as cut down on some of the mineral build up.

Installation Instructions

DIMENSIONS



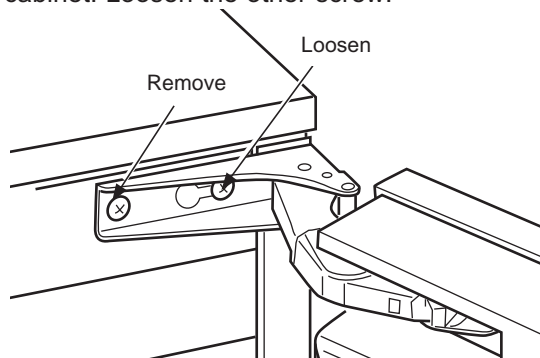
Installation Instructions

DOOR SWING

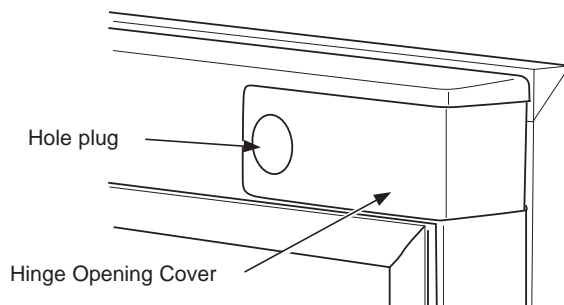
Moving the hinges allows the door to open from either the left or the right side. Change the swing **BEFORE** attaching the door panel.

To change:

1. Open the door. Remove 4 stainless steel screws opposite the hinge side on the front of the cabinet.
2. Remove innermost screw holding each hinge to the cabinet. Loosen the other screw.



3. Slide the door to the side so the keyhole on the hinge clears the screw and remove from cabinet.
4. Remove the screws that were loosened and save. Install the 4 stainless steel screws that were removed in Step 1 into the open holes on the cabinet left by removing the hinge.
5. Remove the hole plug and hinge opening covers from door (if applicable).



6. Remove hole plugs or screws from unit's new hinge locations (if applicable). Set aside.
7. Install the 2 hinge screws removed after the door was removed from the cabinet into the outermost holes on the new hinge side of the cabinet. Screw these in only about half way.
8. Remove the upper hinge from the door and move it to the door's opposite side, bottom location. Secure using the original screws.

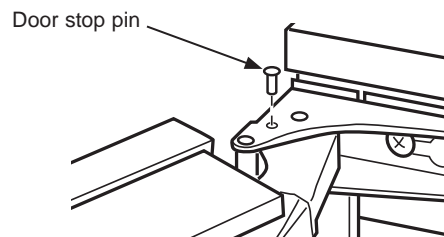
NOTE: If door panel is attached, it must be removed to access hinge screws and to reverse the handle position.

9. Remove the original lower door hinge and move it to the opposite side, upper location. Secure using original screws.

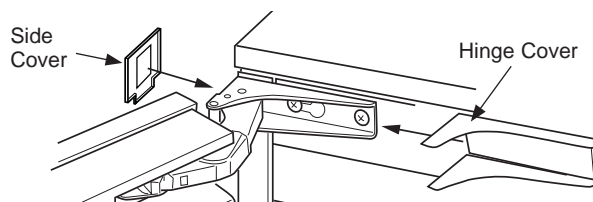
IMPORTANT: If installing a stainless steel door panel or custom panel, skip to **INSTALLING THE DOOR PANEL** section.

10. Install pocket covers and hole plugs onto door.
11. Place the keyhole slot on the hinge over the outermost screw, top and bottom, and slide the door onto the cabinet.
12. Install the door to the cabinet using the original screws. Tighten all 4 screws.

IMPORTANT: In some situations the door can open too far and damage adjacent cabinets. To prevent this, insert a Stop Pin (in hardware packet) into the provided hole in the top and bottom hinges. Drive the pin into the hole until the head is flush with the hinge.



13. Slide the hinge covers from the hardware packet over each hinge.



14. Attach the side covers from the hardware packet over the hinge by peeling off the covering over the adhesive and placing it over the side of the hinge.
- NOTE:** If the unit is being built-in a screw can be used to secure the unit to the cabinet in place of installing the side covers.

Installation Instructions

INSTALLING THE DOOR PANEL

The ice machine is supplied without a conventional door covering, allowing the attachment of a door panel or a custom panel.

NOTE: If the door swing is to be changed, it needs to be done **BEFORE** attaching the door panel.

Door Panel

Finished door panels with handles are available from GE Appliances for attachment to the ice machine. See **Accessories** on page 21.

A custom panel of wood or other material not exceeding 15 lbs can be used and must follow these guidelines:

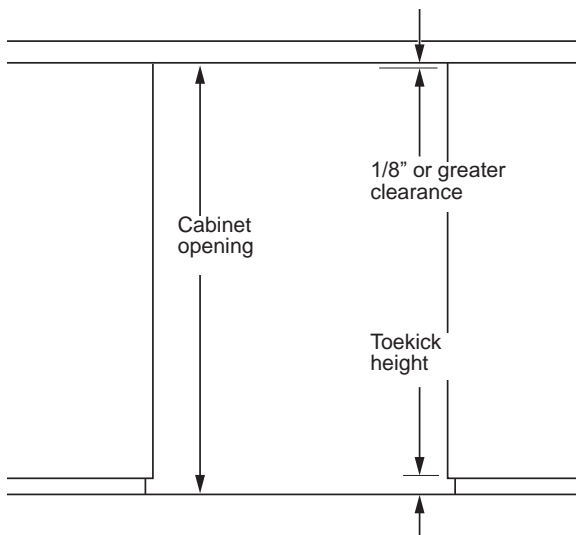
width: 14 7/8"

height: between 29 5/8" and 30 5/8"

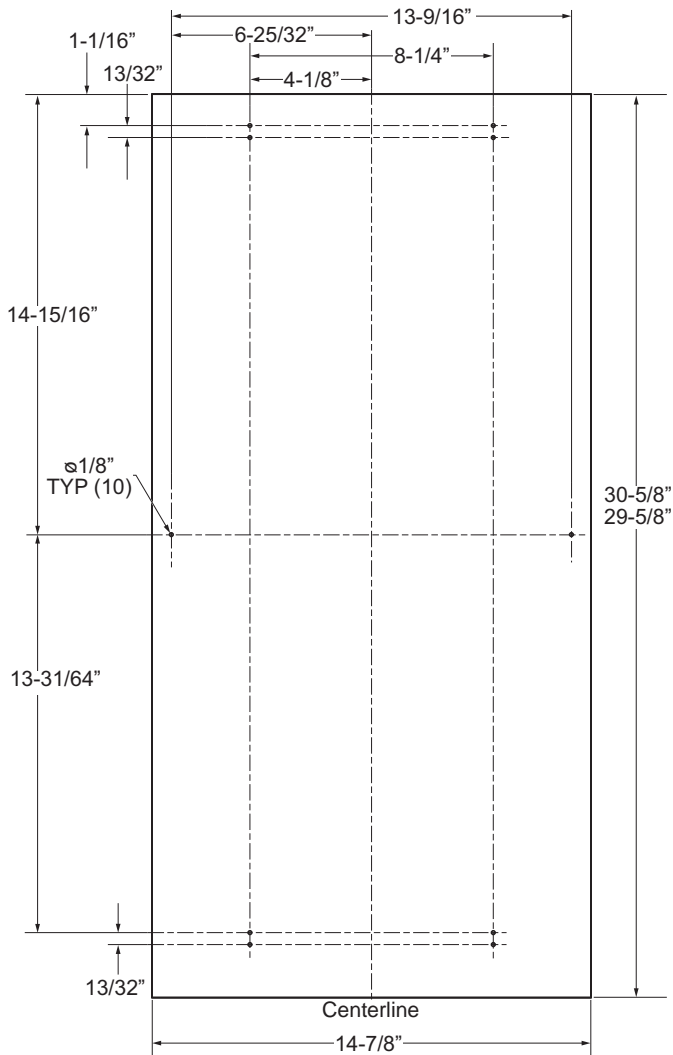
thickness: 5/8" to 3/4"

For Custom Panel:

1. Measure overall height of the cabinet opening where the ice machine will be installed (floor to bottom of the countertop edge).
2. Determine desired toekick height (bottom of door to the floor). This can be equal to the adjacent cabinet's toekick height.
3. The clearance between the countertop and the top of the ice machine should be at least 1/8".
4. Subtract the toekick height and the clearance from the opening height to determine the height of your custom door panel.



5. Cut the panel to the specified width and height.
6. Determine the top of the panel. Measure and mark hole locations.
7. Drill pilot holes on the back of the panel at your markings. Use a drill stop to prevent drilling through the panel.



Installation Instructions

INSTALLING THE DOOR PANEL (Cont)

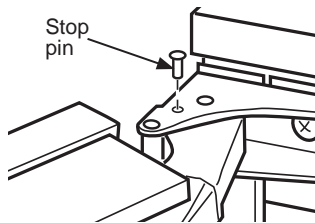
If the door swing is going to be changed please complete prior to installing the door panel. See page 11. Depending on the door kit being installed, the door handle may need to be flipped if the door swing is being changed. Please see instructions on page 14 on how to flip the door handle.

Attaching the Door Panel

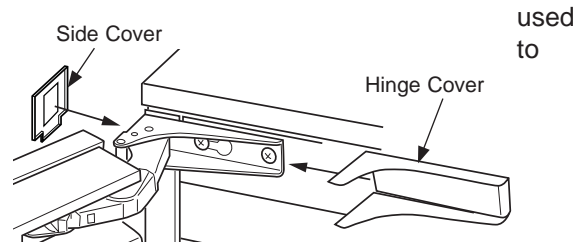
The panel will be held on by 6 sheet metal screws and 2 machine screws.

1. Remove the gasket from the inside of the door and retain for later use.
2. Remove any plastic covering the stainless steel panel.
3. Place the door panel onto the outside of the door and secure it with 2 machine screws in the left center and right center of the door.
4. Fasten the panel to the door using the 6 sheet metal screws. In the hinge opening area opposite the hinge side, use the outermost screw holes only.
5. Place the covers over the hinge opening areas and secure each cover to the door using a sheet metal screw and washer.
6. Insert hole plug over screw installed in step 5.
7. Return the gasket to its original position.
8. Attach the door to the cabinet using the original screws.

IMPORTANT: In some situations the door can open too far and damage adjacent cabinets. To prevent this, insert a Stop Pin (in hardware packet) into the provided hole in the top and bottom hinges. Drive the pin into the hole until the head is flush with the hinge.

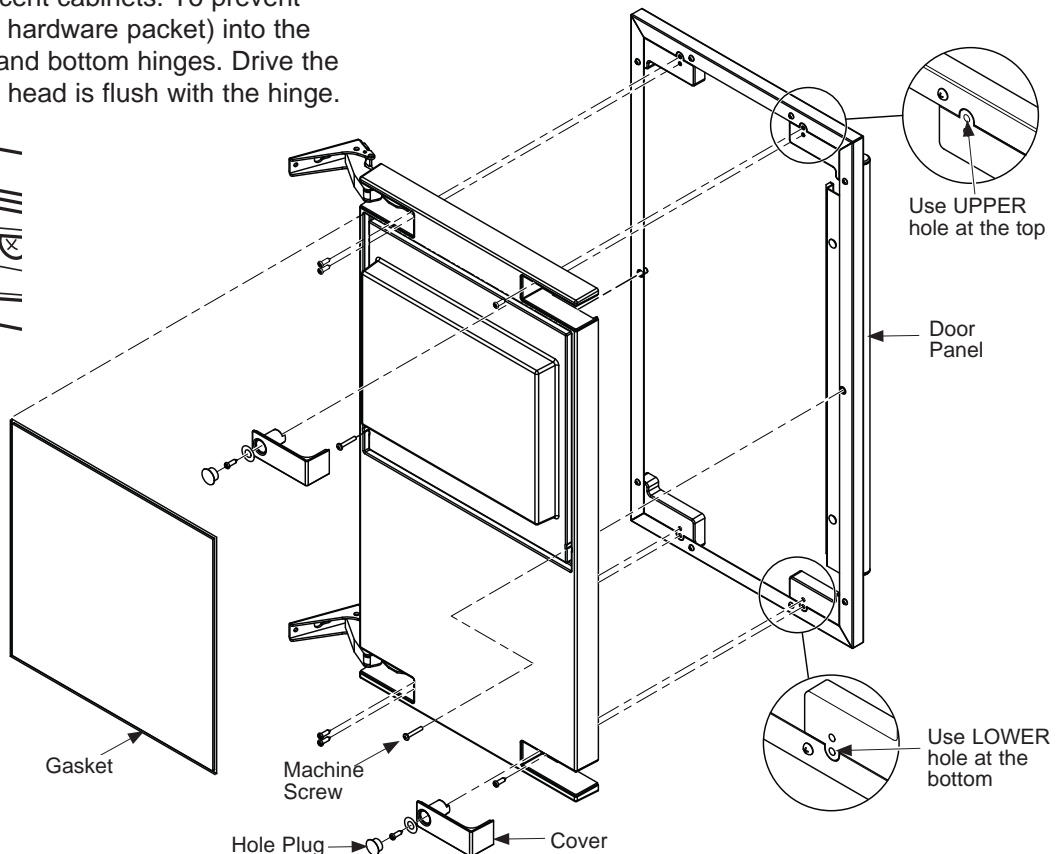


9. Slide the hinge covers from the hardware packet over each hinge.
10. Attach the side covers from the hardware packet over the hinge by peeling off the covering over the adhesive and placing it over the side of the hinge. Note: If the unit is being built-in a screw can be



used to secure the unit to the cabinet in place of installing the side covers.

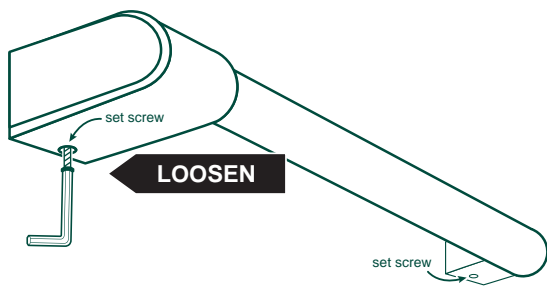
11. Return the kickplate and front service panel to their original positions and attach to the cabinet using the original screws.



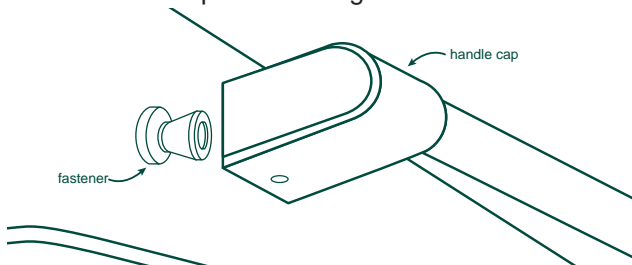
Installation Instructions

HANDLE REVERSING INSTRUCTIONS

1. Remove the allen wrench from the panel installation screw kit envelope
2. Loosen the set screw using the allen wrench. Remove the handle and flip it around so the logo is facing the other way. (Handle view will vary by model.)

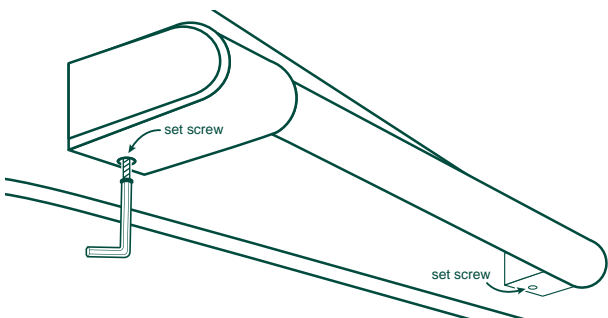


3. Place the handle caps over the fasteners of the door. Take care to support the handle so it doesn't fall and scratch the appliance finish. Make sure both handle caps are resting on the face of the



door.

4. Lock one end of the handle into position by



tightening the set screw in the handle cap with the allen wrench provided. **DO NOT** over-tighten.

5. Keep supporting the handle as you lock the other end of the handle into position by tightening the set screw in the handle cap. **DO NOT** over-tighten.

PLUMBING - DRAIN PUMP

Drain Installation

A drain pump is available for this ice machine. The drain pump kit number is UPK3 and is available at GEApplianceparts.com or by calling GE Appliances at 877-959-8688. In Canada visit GEAppliances.ca or call 800.661.1616.

PLUMBING - GRAVITY DRAIN

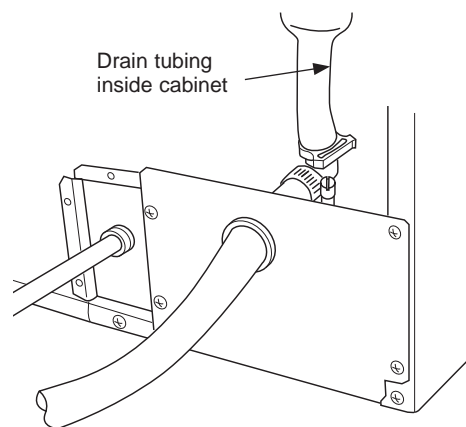
Drain Installation

▲ NOTICE

Restrictions in the drain system to the machine will cause water to back up into the ice storage bin and melt the ice. Gravity drain tubing must be vented, have no kinks, and slope to the building drain. Air gaps are typically required by local codes.

1. Place the ice machine in front of the installation opening. Adjust leveling legs to the approximate height. There are Leg Caps in the hardware packet that can snap onto the leveling legs if they are going to show when the unit is level.
2. Insert drain tube through the routing hole in the back panel.
3. Remove the upper back panel if needed for access to drain connection.

NOTE: If the drain opening has been located in the floor under the base pan according to the pre install specifications, follow steps 4 through 7 to drain the unit through the base. If not, proceed to step 7.



Installation Instructions

PLUMBING - GRAVITY DRAIN (cont)

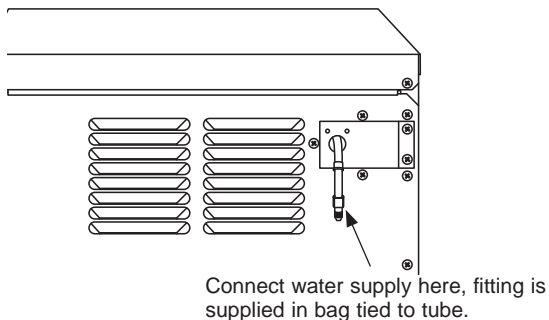
4. Remove the clamp and barbed elbow and take off the plastic cover in the base pan below the drain hose.
5. Connect a straight 5/8" barbed connector to the drain hose, securing with the supplied hose clamp.
6. Cut an 8" piece of 5/8" OD x 7/8" OD tygon (clear plastic) tubing. Slide one end of the tube onto the clamp, Leave the other end of the tube lying on the floor of the base pan until the unit is positioned over the floor drain.
7. Route the drain tube. Either a) insert the drain tube through the base pan into the floor drain or b)) route the drain tube through the hole in the lower back panel and connect to barbed elbow and secure with clamp.
8. Reinstall any panels removed to connect the drain.

Water Supply

The recommended water supply tubing is 1/4" OD copper. Stainless steel flex or reinforced PCV tube may also be used. Install an easily accessible shut-off valve between the supply and the unit. This shut-off valve should not be installed behind the unit.

The water connection is at the back of the cabinet. Connect using a compression fitting, one is supplied tied to the water inlet tube at the back of the cabinet.

When built in: Coil enough tubing behind the machine so it can be pushed into the cavity without kinking the tubing.



PLACEMENT OF THE ICE MACHINE

The ice machine is supplied with a power cord. Do not remove the grounding pin from the cord's plug. Do not use extension cords. Follow all codes. Connect the machine so its own 115v, 15amp circuit.

1. If the electrical outlet for the ice maker is behind the unit, plug it into the unit.
2. Position the unit in the installation opening.
3. Turn on the water supply. Make sure that the icemaker is plugged in and the power is on.
4. Slide the unit into the installation opening, paying special attention to water supply and drain connections. Do not kink!
5. Pour a couple of quarts of water into the ice storage bin; on drain pump equipped machines the drain pump should start and water should pump out. Check for leaks.
6. Replace the service access panel.
7. Level the unit as needed. There are Leg Caps in the hardware packet that can snap onto the leveling legs if they are going to show when the unit is level.

Care And Cleaning

Cleaning the Outside

The stainless steel door and door handle can be cleaned with a commercially available stainless steel cleaner. Cleaners with oxalic acid such as Bar Keepers Friend Soft Cleanser™ will remove surface rust, tarnish and small blemishes.

Use only a liquid cleanser free of grit and rub in the direction of the brush lines with a damp soft sponge. Do not use appliance wax or polish on the stainless steel.

Cleaning the Condenser

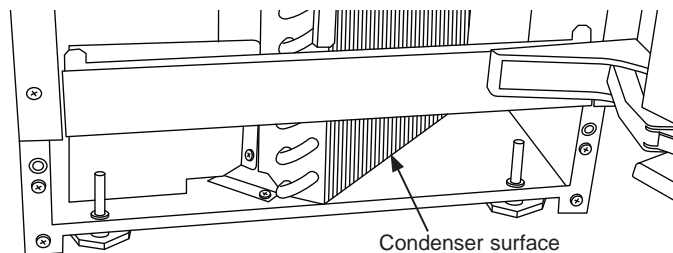
The condenser has fins and tubes that can become clogged with dirt and lint.

To clean:

1. Remove the kickplate and front service panel.
2. Locate the condenser surface.
3. Vacuum the surface to remove all dust and lint.

▲ NOTICE Do not dent the fins.

4. Return the kickplate and front service panel to their original positions. Fasten them to the cabinet using the original screws.



Removing Scale from the Ice Making System

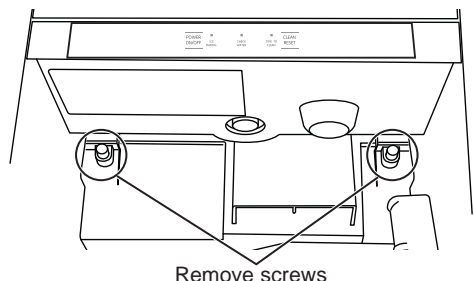
Cleaning the ice machine involves adding a solution of scale remover and water to the ice machine and continuing to add it as it makes ice. The scale remover must be diluted to the correct ratio. A squirt bottle will make adding the scale remover much easier when the unit is built in. If not built in, remove the top panel for reservoir access.

You should use rubber gloves when using the scale remover. To order scale remover, go to **GEApplianceParts.com** or call 877-959-8688. Order part number WX08X42872.

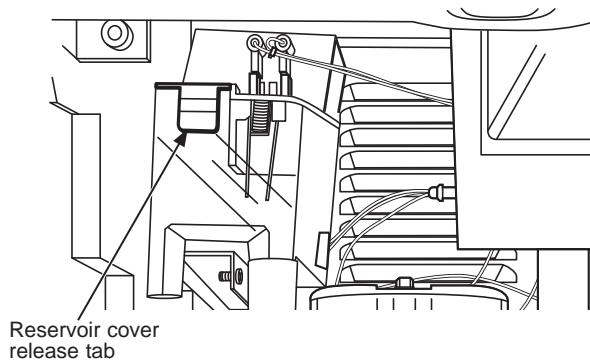
1. Scoop out and discard all of the ice.
2. Press and release the **ON/OFF** button.



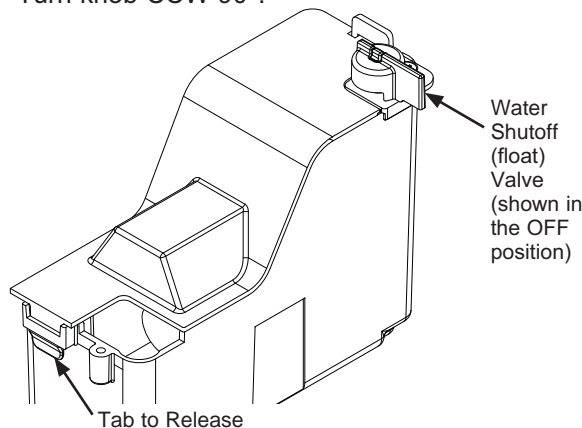
3. Open door and locate screws at the upper back wall of the bin. Remove the 2 screws.



4. Remove the back panel of the bin by lowering it down past the scoop holder. The scoop holder will rotate to allow the panel to lower.



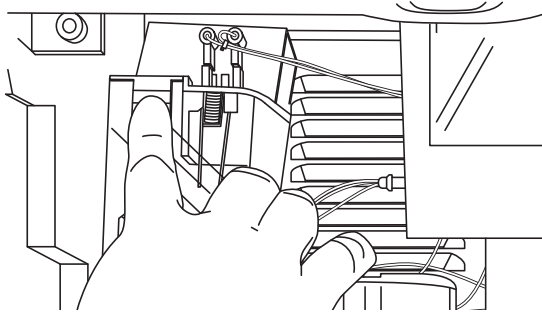
5. Water shutoff (float) valve is located at the back of the reservoir. The valve **MUST** be turned to the **OFF** position before the reservoir cover can be removed. Turn knob CCW 90°.



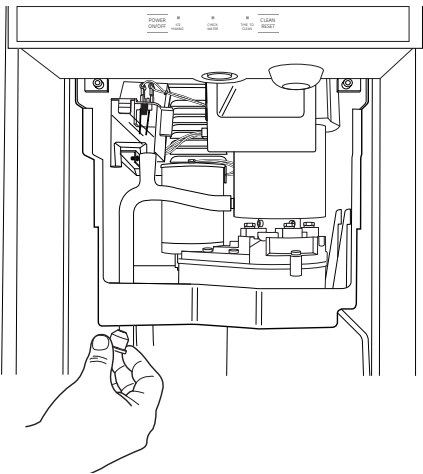
Care And Cleaning

Removing Scale from the Ice Making System (Cont.)

6. Push tab on front edge of reservoir cover and remove the cover. **NOTE:** Adjacent wires are low voltage and are not hazardous.



7. Locate the drain plug. Pull the drain plug out to drain the reservoir and evaporator. When draining is complete, return the plug to its original position.



8. Obtain pre-mixed scale remover solution or mix a solution of scale remover with water according to the directions. Fill a 16 oz squirt bottle with the diluted or pre-mixed scale remover.

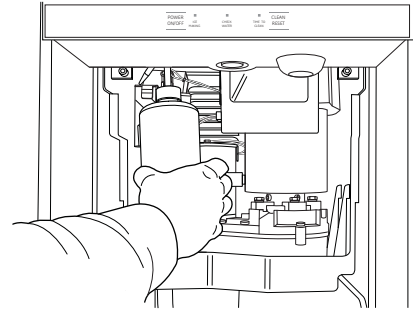
⚠ WARNING



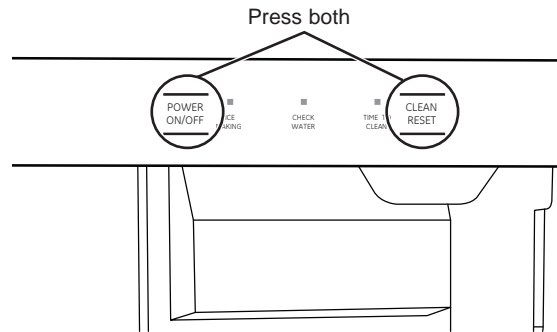
Ice machine scale remover contains acids. Acids can cause burns. If concentrated cleaner comes in contact with skin, flush with water. If swallowed, do NOT induce vomiting. Drink large amounts of water or milk. Call Physician immediately. Keep out of the reach of children.

NOTE: Take care not to spill any scale remover on nearby surfaces. Immediately wipe any spill with backing soda and water.

9. Fill the reservoir with the scale remover solution from the squirt bottle. Use about half (8 oz) of the solution.



10. Press and HOLD both the **CLEAN/RESET** and **ON/OFF** buttons for 5 seconds. The **TIME TO CLEAN** light will blink on and off.

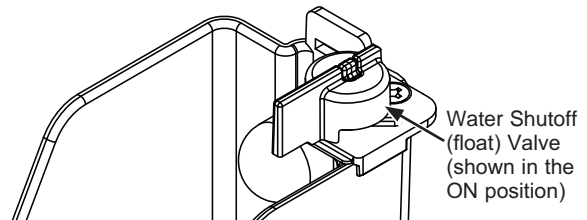


11. The auger motor will run for 10 minutes and then the compressor will start. Within 5-8 minutes the machine will start to make ice. The **TIME TO CLEAN** light will glow steady until the clean cycle is complete.

⚠ CAUTION Keep fingers away from moving parts.

After the ice making starts, continuously add scale remover solution to the reservoir to keep it about half full.

When all 16 oz of the solution is used, turn the water shutoff (float) valve knob CW 90° to the **ON** position.



After 40 minutes, the ice machine and all the control panel lights will shut off.

12. Pull the drain plug again to drain the system and then replace it.

Care And Cleaning

Removing Scale from the Ice Making System (Cont.)

13. Turn the Water Shut Off (Float) Valve knob to the Off position, replace the reservoir cover, and then turn the Water Shut Off (Float) Valve knob back to the On position.
14. Replace the upper back wall of the bin using the original screws. Push in to snap bottom of back panel into place.
15. Pour a gallon of hot (95°-115°F) water into the bin to flush out the drain and melt all ice that was made during the cleaning process. Be sure all ice is melted.
16. Use any left over scale remover solution to scrub the scale off of the bin liner. If none is left over, use pre-mixed or mix 1 quart according to the directions.
17. Rinse the liner with hot water.
18. Sanitize the bin interior.
19. Push and release the ON/OFF button to restart ice making.

The ice scoop should be washed regularly and is dishwasher safe.

Other Maintenance

NOTE: It is normal for some lime scale to form on the gear reducer cover. Wipe up any loose scale.

Check the top bearing.

The top bearing is non-metallic and requires no lubrication. However, it should be checked for wear occasionally. The top of panel must be removed to access the bearing. The wear limit is 1/64". and can be checked with a pin gauge.

Winterizing

1. Clean the ice making system per the instructions on pages 7 and 8.
2. Open the door and push the ON/OFF button to turn the ice machine off.
3. Turn off the water supply.
4. Remove the back wall of the ice storage bin.
5. Remove the drain plug and drain the water reservoir return plug to its original position.
6. Models with a drain pump installed should have about 1/2 gallon of RV antifreeze (propylene glycol) poured into the ice storage bin drain.

NOTE: Automotive antifreeze must NOT be used.

7. Turn off and unplug the machine.

Troubleshooting Tips... Before you call for service

Save time and money! Review the charts on the following pages first and you may not need to call for service.

Problem	Possible Causes	What to Do
Low capacity	Restricted drain or standing water in the bin	Clean the air cooled condenser fins.
		Clean the ice making system.
		Check the drain line for kinks
No ice	Switch is OFF	Press the ON/OFF button to turn the power on.
	Electric breaker has been tripped	Flip the electric breaker back on.
	Water supply is low	If the Check Water light is flashing Red, the water supply is low.
	Auger motor is not working or is overloaded - lights are flashing.	Reset by pressing ON/OFF button. If this doesn't reset the motor and the lights continue to flash, call for service.
<i>Time to Clean</i> light is on		Clean the ice making system following directions in the <i>Care and Cleaning</i> section.

Noise

The ice machine is designed for quiet operation but will make some noise during the ice making cycle.

GE Appliances Ice Machine Limited Warranty

GEAppliances.com

All warranty service is provided by our Factory Service Centers, or an authorized Customer Care® technician. To schedule service online, visit us at geappliances.com/service, or call GE Appliances at 800.GE.CARES (800.432.2737). Please have your serial number and your model number available when calling for service. In Canada, visit

GEAppliances.ca/en/support/service-request or call 800.561.3344

For the Period of:	GE Appliances Will Replace
One Year From the date of the original purchase	Any part of the ice machine which fails due to a defect in materials or workmanship. During the limited one-year warranty , GE Appliances will also provide, free of charge, all labor and related service to replace the defective part.
Five Years From the date of the original purchase	Any part of the sealed refrigeration system (the compressor, condenser, evaporator and all connecting tubing) which fails due to a defect in materials or workmanship. During the limited five-year sealed refrigerating system warranty , GE Appliances will also provide, free of charge , all labor and related service to replace the defective part in the sealed refrigerating system.

What GE Appliances Will Not Cover:

- Service trips to your home to teach you how to use the product.
- Improper installation, delivery or maintenance.
- Failure of the product if it is abused, misused, or used for other than the intended purpose or used commercially.
- Replacement of house fuses or resetting of circuit breakers.
- Damage caused after delivery.
- Replacement of the light bulbs, if included.
- Damage to the product caused by accident, fire, floods or acts of God.
- Incidental or consequential damage caused by possible defects with this appliance.
- Product not accessible to provide required service.

EXCLUSION OF IMPLIED WARRANTIES

Your sole and exclusive remedy is product repair as provided in this Limited Warranty. Any implied warranties, including the implied warranties of merchantability or fitness for a particular purpose, are limited to one year or the shortest period allowed by law.

Staple your receipt here. Proof of the original purchase date is needed to obtain service under the warranty.

For US Customers: This limited warranty is extended to the original purchaser and any succeeding owner for products purchased for home use within the USA. If the product is located in an area where service by a GE Appliances Authorized Servicer is not available, you may be responsible for a trip charge or you may be required to bring the product to an Authorized GE Appliances Service location for service. In Alaska, the limited warranty excludes the cost of shipping or service calls to your home.

Some states do not allow the exclusion or limitation of incidental or consequential damages. This limited warranty gives you specific legal rights, and you may also have other rights which vary from state to state. To know what your legal rights are, consult your local or state consumer affairs office or your state's Attorney General.

Warrantor: GE Appliances, a Haier company
Louisville, KY 40225

For Customers in Canada: This limited warranty is extended to the original purchaser and any succeeding owner for products purchased in Canada for home use within Canada. In-home warrant service will be provided in areas where it is available and deemed reasonable by Mabe to provide.

Warrantor Canada: MC Commercial, Inc., Burlington, Ontario, L7R 5B6

Accessories

Looking For Something More?

Finished stainless steel door panels with handles are available from GE Appliances for attachment to the ice machine. The panel kits are:

- ZIP85SS - Stainless steel door with Monogram Statement Style Handle
- ZIS85SS - Stainless steel door with Monogram Minimalist Style Handle
- PIP70SS - Stainless steel door with Profile Style Handles
- CIP75S1 - Stainless steel door with Café Style Handles
- CIP75D1 - Matte black with Café style handle
- CIP75W2 - Matte white with Café style handle

In addition we also offer the following Café handle kits:

- CXXN1H1PNBT - Black handle
- CXXN1H1PNZ - Bronze handle
- CXXN1H1PNCU - Copper handle
- CXXN1H1PNSS - Stainless steel handle

NOTE: These kits only work with the CIP family of door kits.

To order, go to **GEApplianceParts.com** or call 877-959-8688. In Canada visit **GEAppliances.ca/en/products/parts-filter-accessories** or call 800.661.1616.

Kickplate Extension: In some situations the leg levelers will be extended enough to become visible. A kit to extend the kickplate over the legs is available. That kit number is WR02X25708. To order, go to **GEApplianceParts.com** or call 877-959-8688. In Canada visit **GEAppliances.ca/en/products/parts-filter-accessories** or call 800.661.1616.

Cabinet Stability: In some free standing installations it may be prudent to add an anti-tip bracket that secures the back of the cabinet to a wall. That kit number is WR01X25709. To order, go to **GEApplianceParts.com** or call 877-959-8688. In Canada visit **GEAppliances.ca/en/products/parts-filter-accessories** or call 800.661.1616.

Drain Conversion: A gravity drain model can be converted to a drain pump model by installing a drain pump kit. The drain pump kit consists of a drain pump, wiring harness and associated tubing. The part number is UPK3. To order, go to **GEApplianceParts.com** or call 877-959-8688. In Canada visit **GEAppliances.ca/en/products/parts-filter-accessories** or call 800.661.1616.

Consumer Support

GE Appliances Website

Have a question or need assistance with your appliance? Try the GE Appliances Website 24 hours a day, any day of the year! You can also shop for more great GE Appliances products and take advantage of all our on-line support services designed for your convenience. In the US: **GEAppliances.com** In Canada: **GEAppliances.ca**

Register Your Appliance

Register your new appliance on-line at your convenience! Timely product registration will allow for enhanced communication and prompt service under the terms of your warranty, should the need arise. You may also mail in the pre-printed registration card included in the packing material.

In the US: **GEAppliances.com/register**

In Canada: **Prodsupport.mabe.ca/crm/Products/ProductRegistration.aspx**

Schedule Service

Expert GE Appliances repair service is only one step away from your door. Get on-line and schedule your service at your convenience any day of the year. In the US: **GEAppliances.com/service** or call 800.432.2737 during normal business hours.

In Canada: **GEAppliances.ca/en/support/service-request** or call 800.561.3344

Extended Warranties

Purchase a GE Appliances extended warranty and learn about special discounts that are available while your warranty is still in effect. You can purchase it on-line anytime. GE Appliances Services will still be there after your warranty expires. In the US: **GEAppliances.com/extended-warranty** or call 800.626.2224 during normal business hours.

In Canada: **GEAppliances.ca/en/support/purchase-extended-warranty** or call 866.277.9842.

Parts and Accessories

Individuals qualified to service their own appliances can have parts or accessories sent directly to their homes (VISA, MasterCard and Discover cards are accepted). Order on-line today 24 hours every day.

In the US: **GEApplianceparts.com** or by phone at 877.959.8688 during normal business hours.

Instructions contained in this manual cover procedures to be performed by any user. Other servicing generally should be referred to qualified service personnel. Caution must be exercised, since improper servicing may cause unsafe operation.

Customers in Canada should consult the yellow pages for the nearest Mabe service center, visit our website at **GEAppliances.ca/en/products/parts-filters-accessories** or call 800.661.1616.

Contact Us

If you are not satisfied with the service you receive from GE Appliances, contact us on our Website with all the details including your phone number, or write to:

In the US: General Manager, Customer Relations | GE Appliances, Appliance Park | Louisville, KY 40225

GEAppliances.com/contact

In Canada: Director, Consumer Relations, Mabe Canada Inc. | Suite 310, 1 Factory Lane | Moncton, N.B. E1C 9M3

GEAppliances.ca/en/contact-us