

ELECTRIC WALL OVEN INSTALLATION INSTRUCTIONS

(with cooktop combination installations)

INSTALLATION AND SERVICE MUST BE PERFORMED BY A QUALIFIED INSTALLER.
 IMPORTANT: SAVE FOR LOCAL ELECTRICAL INSPECTOR'S USE.
 READ AND SAVE THESE INSTRUCTIONS FOR FUTURE REFERENCE.

United States
and Canada



⚠ WARNING FOR YOUR SAFETY: Do not store or use gasoline or other flammable vapors and liquids in the vicinity of this or any other appliance.

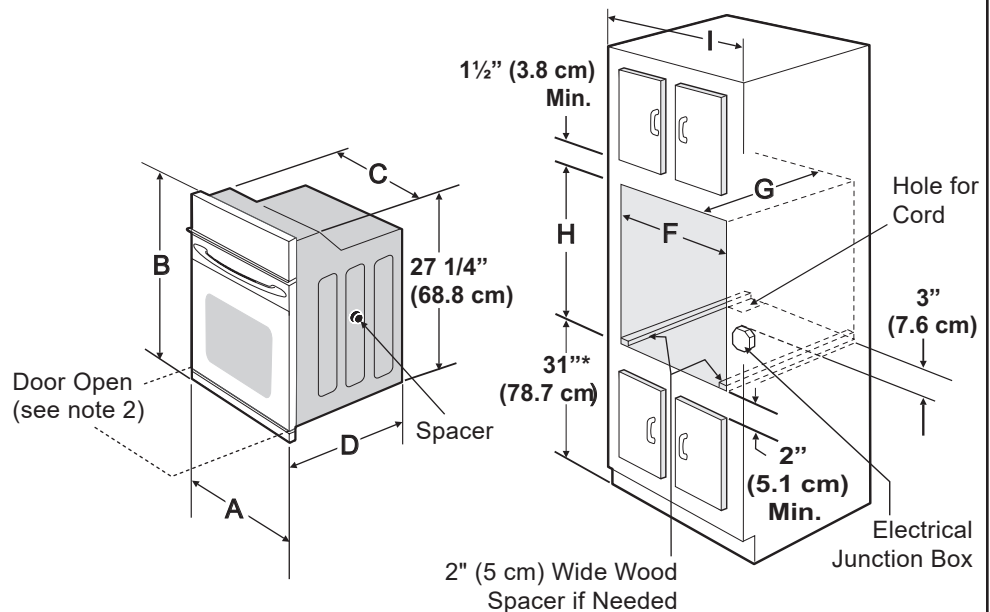
Your new wall oven has been designed to fit a variety of cutout sizes to make the job of installing easier. The first step of your installation should be to measure your current cutout dimensions and compare them to the cutout dimensions chart below for your model. You may find little or no cabinet work being necessary.

SINGLE WALL OVEN - SINGLE INSTALLATION

⚠ WARNING Do not remove spacers (if equipped) on the side walls of the built-in oven. These spacers center the oven in the space provided. The oven must be centered to prevent excess heat buildup that may result in heat damage or fire.

NOTES:

1. Allow at least 21" (53.3 cm) clearance in front of oven for door depth when it is open.
2. Dimension G (cutout depth) is critical to the proper installation of the built-in oven. If the oven trim does not butt against the cabinet, or if noise is heard on convection models, verify dimension G to assure it is the required depth.
3. For a cutout height greater than the maximum (H), add one 2" (5 cm) wide wood shim of appropriate height to each side of the opening under the appliance side rails (not included).



* Suggested distance from floor is 31" (78.7cm).
 Minimum required distance is 4 1/2" (11.4cm).

Figure 1
30" Single Wall Ovens

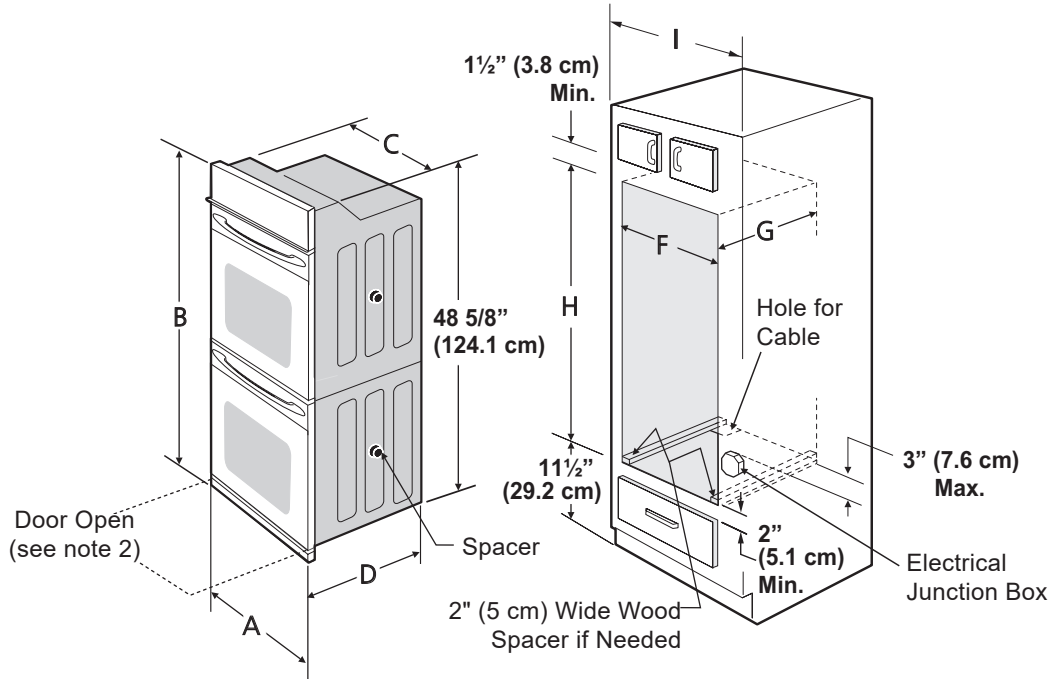
PRODUCT DIMENSIONS					
A		B	C		D
30 (76.2 cm)		29 ¹ / ₈ (73.9 cm)	28 ¹ / ₄ (71.8 cm)		25 ³ / ₁₆ (63.9 cm)
CUTOUT DIMENSIONS AND CABINET WIDTH					
F		G	H. Standard Height (**Others, see note 3)		I
Min.	Max.	Min.	Min.	Max.	
28 ¹ / ₂ (72.4 cm)	29 (73.7 cm)	24 (61.0 cm)	27 ¹ / ₄ (68.8 cm)	28 ¹ / ₈ (71.4 cm)	30 ¹ / ₈ (76.5 cm) Min

ELECTRIC WALL OVEN INSTALLATION INSTRUCTIONS

(with cooktop combination installations)

DOUBLE WALL OVEN INSTALLATION

⚠ WARNING Do not remove spacers (if equipped) on the side walls of the built-in oven. These spacers center the oven in the space provided. The oven must be centered to prevent excess heat buildup that may result in heat damage or fire.



NOTES:

1. Allow at least 21" (53.3 cm) clearance in front of oven for door depth when it is open.
2. Dimension G (cutout depth) is critical to the proper installation of the built-in oven. If the oven trim does not butt against the cabinet, or if noise is heard on convection models, verify dimension G to assure it is according to the required dimension.
3. For a cutout height greater than 49³/₄" (126.4cm), add one 2" (5 cm) wide wood shim of appropriate height to each side of the opening under the appliance side rails (not included).

Figure 2
30" Double Wall Ovens

PRODUCT DIMENSIONS					
A		B	C		D
30 (76.2 cm)		50 ¹³ / ₁₆ (129.0 cm)	28 ¹ / ₄ (71.8 cm)		25 ³ / ₁₆ (63.9 cm)
CUTOUT DIMENSIONS AND CABINET WIDTH					
F		G (Min.)	H. Standard Height (**Others, see notes 3)		I
Min.	Max.		Min.	Max.	
28 ¹ / ₂ (72.4 cm)	29 (73.7 cm)	24 (61.0 cm)	48 ⁷ / ₈ (124.5 cm)	50 ¹ / ₄ (127.6 cm)	30 ¹ / ₈ (76.5 cm) Min

All dimensions are in inches (cm).

ELECTRIC WALL OVEN INSTALLATION INSTRUCTIONS

(with cooktop combination installations)

CARPENTRY and SUPPORT

Refer to Figure 1 or Figure 2 for the dimensions of your appliance and the cabinet cutouts and space needed to fit the oven.

The oven support or base surface must be solid plywood, solid wood, or a material verified to meet the temperature and strength requirements needed for your installation. No fiberboard, laminated/coated wood or other material should be used that is not verified to meet temperature and strength requirements.

All materials used in installation must withstand temperatures of 194 °F (90 °C).

The support surface must be level and flat from side to side, and from front to rear.

If the cabinet does not have a solid floor or support surface, braces may be installed in the cabinet. Bracing may also be used under the cabinet floor for added strength and support. Braces must run front to rear, meet all material and temperature requirements, and be flat and level. The bracing should be 2" (5 cm) minimum width to support the oven side rails. Standard 2" x 4" (5 cm x 10 cm) studs are recommended.

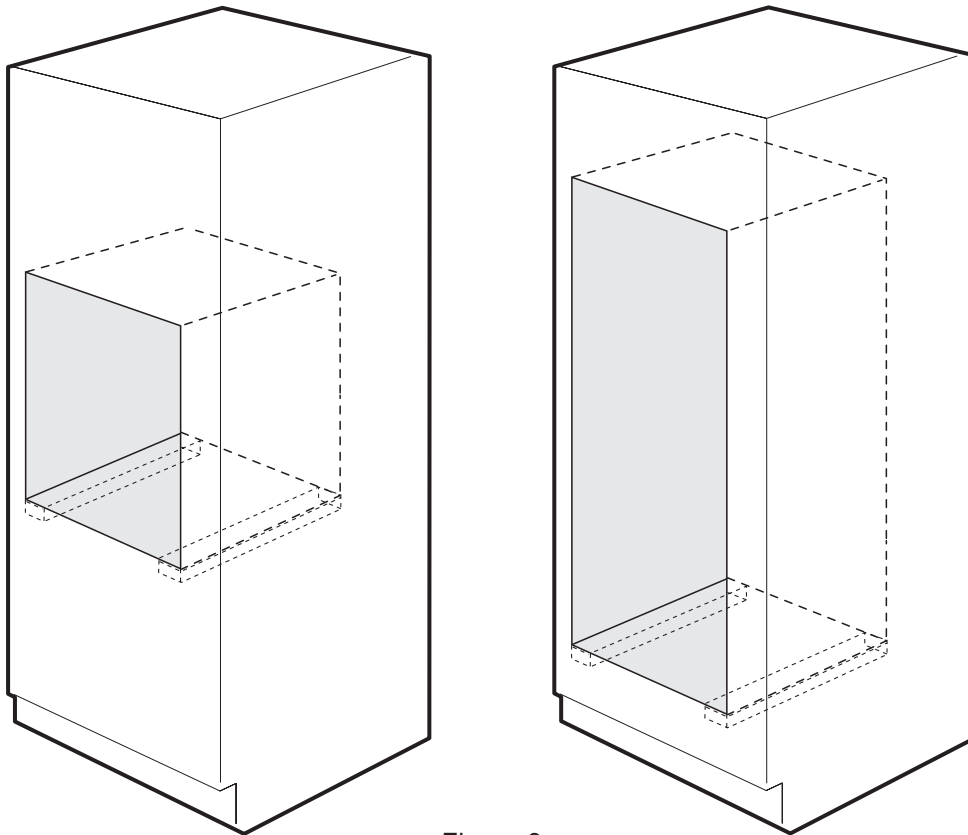


Figure 3
Wall Oven Braces

Single Wall Ovens

1. Base must be capable of supporting 200 pounds (90 kg).
2. Solid plywood or solid wood must be at least ½" (1.3 cm) thick.

Double Wall Ovens

1. Base must be capable of supporting 375 pounds (170 kg).
2. Solid plywood or solid wood must be at least ¾" (1.9 cm) thick.

ELECTRIC WALL OVEN INSTALLATION INSTRUCTIONS

(with cooktop combination installations)

Important Notes to the Installer

1. Read all instructions contained in these installation instructions before installing the wall oven.
2. Remove all packing material from the oven compartments before connecting the electrical supply to the wall oven.
3. Observe all governing codes and ordinances.
4. Be sure to leave these instructions with the consumer.
5. Remove oven door to facilitate installation. See Use and Care guide for instructions.
6. THESE OVENS ARE NOT APPROVED FOR STACKABLE OR SIDE-BY-SIDE INSTALLATION.

Important Note to the Consumer

Keep these instructions with your Owner's Guide for the local electrical inspector's use and future reference.

IMPORTANT SAFETY INSTRUCTIONS

- Be sure your wall oven is installed and grounded properly by a qualified installer or service technician.
- This wall oven must be electrically grounded in accordance with local codes or, in their absence, with the National Electrical Code ANSI/NFPA No. 70-latest edition in United States, or with CSA Standard C22.1, Canadian Electrical Code, Part 1, in Canada.

⚠ WARNING Stepping, leaning or sitting on the door of this wall oven can result in serious injuries and can also cause damage to the wall oven.

- Never use your wall oven for warming or heating the room. Prolonged use of the wall oven without adequate ventilation can be dangerous.

⚠ WARNING The electrical power to the oven must be shut off while line connections are being made. Failure to do so could result in serious injury or death.

1. Electrical Requirements

Each appliance must be supplied with the proper voltage and frequency, and connected to an individual, properly grounded branch circuit, protected by a circuit breaker or fuse. To know the circuit breaker or fuse required by your model, see the serial plate to find the wattage consumption and refer to table A to get the circuit breaker or fuse amperage.

Appliance Rating Watts 240V	Protection Circuit Recommended	Appliance Rating Watts 208V	Protection Circuit Recommended
Less than 4800W	20A	Less than 4100W	20A
4801W - 7200W	30A	4101W - 6200W	30A
7201W - 9600W	40A or 50A	6201W - 8300W	40A or 50A
9601W and +	50A	8301W and +	50A

Table A

Observe all governing codes and local ordinances

1. A 3-wire or 4-wire single phase 120/240 or 120/208 Volt, 60 Hz AC only electrical supply is required on a separate circuit fused on both sides of the line (red and black wires). A time-delay fuse or circuit breaker is recommended. DO NOT fuse neutral (white wire). Only certain cooktop models may be installed over certain built-in electric oven models. Approved cooktops and built-in ovens are listed by the MFG ID number (see the insert sheet included in the literature package). Do not install a cooktop over a side-by-side wall oven installation.

NOTE: Wire sizes and connections must conform with the fuse size and rating of the appliance in accordance with the American National Electrical Code ANSI/NFPA No. 70-latest edition, or with Canadian CSA Standard C22.1, Canadian Electrical Code, Part 1, and local codes and ordinances.

⚠ WARNING An extension cord should not be used with this appliance. Such use may result in a fire, electrical shock, or other personal injury. If you need a longer power cord you can purchase a 10' (3 m) power cord kit #903056-9010 by calling the Service Center.

2. These appliances should be connected to the fused disconnect (or circuit breaker) box through flexible armored or nonmetallic sheathed cable. The flexible armored cable extending from the appliance should be connected directly to the junction box. The junction box should be located as shown in Figure 1 or Figure 2 and with as much slack as possible remaining in the cable between the box and the appliance, so it can be moved if servicing is ever necessary.
3. A suitable strain relief must be provided to attach the flexible armored cable to the junction box.

ELECTRIC WALL OVEN INSTALLATION INSTRUCTIONS

(with cooktop combination installations)

⚠ WARNING

Electrical Shock Hazard

- Electrical ground is required on this appliance.
- Do not connect to the electrical supply until appliance is permanently grounded.
- Disconnect power to the junction box before making the electrical connection.
- This appliance must be connected to a grounded, metallic, permanent wiring system, or a grounding connector should be connected to the grounding terminal or wire lead on the appliance.
- Do not use a gas supply line for grounding the appliance.

Failure to do any of the above could result in a fire, personal injury or electrical shock.

⚠ CAUTION In cold weather shipping and storage conditions, make sure that oven is in final location at least three (3) hours before switching on power. Switching on power while oven is still cold may damage the oven controls.

2. Electrical connection

It is the responsibility and obligation of the consumer to contact a qualified installer to assure that the electrical installation is adequate and is in conformance with the National Electrical Code ANSI/NFPA No. 70-latest edition, or with CSA Standard C22.1, Canadian Electrical Code, Part 1, and local codes and ordinances.

⚠ WARNING Risk of electrical shock (Failure to heed this warning may result in electrocution or other serious injury.) This appliance is equipped with copper lead wire. If connection is made to aluminum house wiring, use only connectors that are approved for joining copper and aluminum wire in accordance with the National Electrical Code and local code and ordinances. When installing connectors having screws which bear directly on the steel and/or aluminum flexible conduit, do not tighten screws sufficiently to damage the flexible conduit. Do not over bend or excessively distort flexible conduit to avoid separation of convolutions en exposure of internal wires.

DO NOT ground to a gas supply pipe. DO NOT connect to electrical power supply until appliance is permanently grounded. Connect the ground wire before turning on the power.

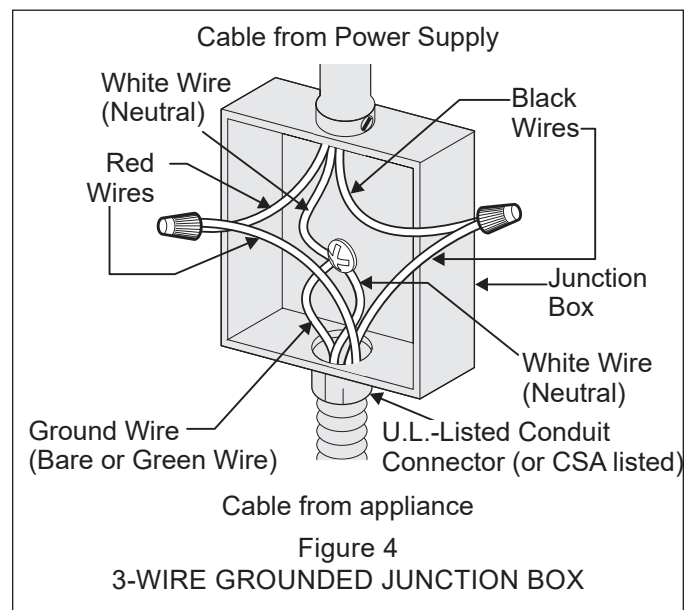
⚠ WARNING (If your appliance is equipped with a white neutral conductor.)

This appliance is manufactured with a white neutral power supply and a frame connected copper wire. The frame is grounded by connection of grounding lead to neutral lead at the termination of the conduit, if used in USA, in a new branch circuit installation (1996 NEC), mobile home, recreational vehicles, where local code do not permit grounding through the neutral (white) wire or in Canada, disconnect the white and green lead from each other and use ground lead to ground unit in accordance with local codes, connect neutral lead to branch circuit-neutral conductor in usual manner see Figure 5. If your appliance is to be connected to a 3 wire grounded junction box (US only), where local code permit connecting the appliance-grounding conductor to the neutral (white) see Figure 4.

NOTE TO ELECTRICIAN: The armored cable leads supplied with the appliance are UL-recognized for connection to larger gauge household wiring. The insulation of the leads is rated at temperatures much higher than temperature rating of household wiring. The current carrying capacity of the conductor is governed by the temperature rating of the insulation around the wire, rather than the wire gauge alone.

Where local codes permit connecting the appliance-grounding conductor to the neutral (white) wire (US Only) (see Figure 4):

1. Disconnect the power supply.
2. In the junction box:
connect appliance and power supply cable wires as shown in Figure 4.

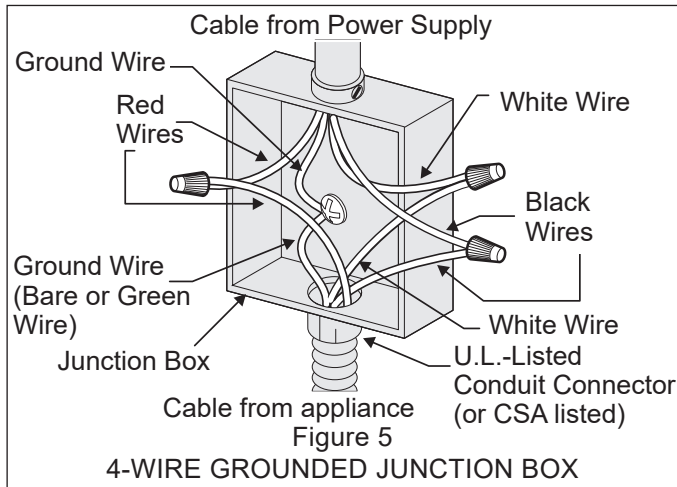


ELECTRIC WALL OVEN INSTALLATION INSTRUCTIONS

(with cooktop combination installations)

If oven is used in a new branch circuit installation (1996 NEC), mobile home, recreational vehicle, or where local codes DO NOT permit grounding through the neutral (white) wire, the appliance frame MUST NOT be connected to the neutral wire of the 4-wire electrical system (see Figure 5):

1. Disconnect the power supply.
2. Separate the green (or bare copper) and white appliance cable wires.
3. In the junction box:
connect appliance and power supply cable wires as shown in Figure 5.



Model and Serial Number Location

The serial plate is located along the interior side trim of the oven and visible when the door is opened.

When ordering parts for or making inquiries about your oven, always be sure to include the model and serial numbers and a lot number or letter from the serial plate on your oven.

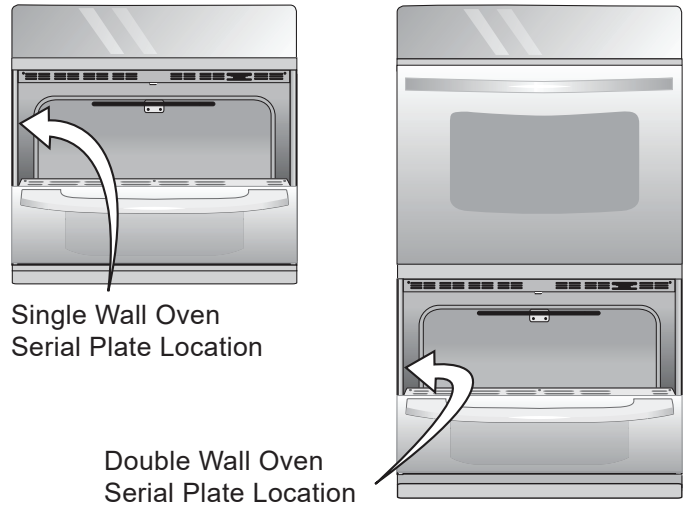
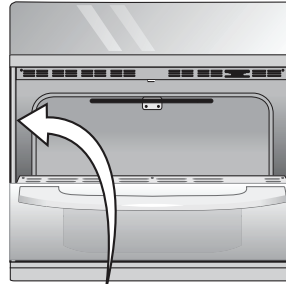


Figure 6

ELECTRIC WALL OVEN INSTALLATION INSTRUCTIONS

(with cooktop combination installations)

3. Cabinet Installation

IMPORTANT!

Do not lift or manipulate the oven by the door handle or the control panel.

! WARNING

Heavy Weight Hazard

- Use 2 or more people to move and install wall oven.
- Failure to follow this instruction can result in injury or damage to the unit.

- 1 Unpack the wall oven. Remove the bottom trim taped on the oven top panel.
- 2 Find the 2 anti-tip mounting screws included in the literature package.
- 3 Insert the oven into the cabinet opening. Slide oven inward leaving 1½" (3.8 cm) clearance between the oven and front of cabinet (see Figure 7).
- 4 Pull the armored cable through the hole for it in the cabinet and toward the junction box while moving the appliance inward.
- 5 Push the oven in and against the cabinet.

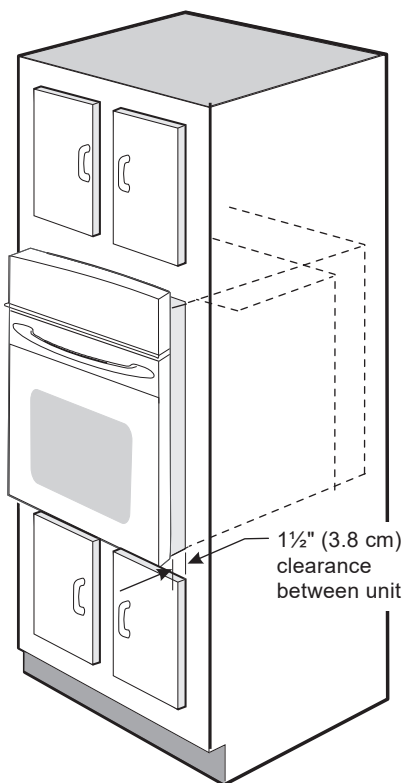


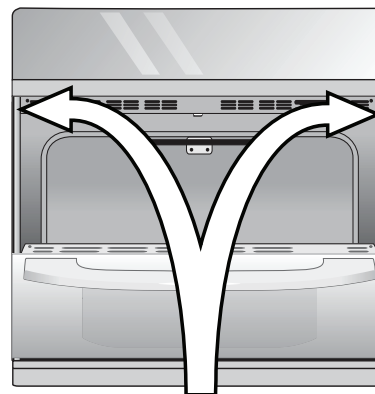
Figure 7

- 6 Install the Anti-tip Mounting Screws

! WARNING The wall oven can tip when the door is open. The anti-tip mounting screws supplied with the wall oven must be installed to prevent tipping of the wall oven and injury to persons.

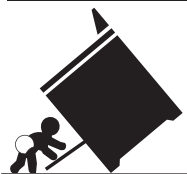
A. The mounting holes in the side trims may be used as a template to locate the appliance mounting screw holes (see figure 8).

B. Use the two screws supplied to fix the appliance to the cabinet.



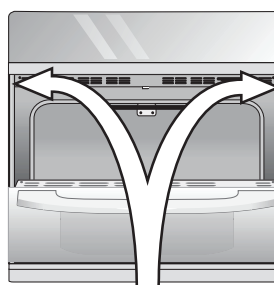
Anti-Tip Mounting Holes
Figure 8

! WARNING Tip Over Hazard



- A child or adult can tip the oven and be killed.
- Install the anti-tip device to oven and/or structure per installation instructions.

- Ensure the anti-tip device is re-engaged when the oven is moved.
- Do not operate the oven without the anti-tip device in place and engaged.
- Failure to follow these instructions can result in death or serious burns to children and adults.



Anti-tip mounting holes

Refer to the installation instructions supplied with your appliance for proper installation.

Check for proper installation with a visual check that the anti-tip screws are present. Test the installation with light downward pressure on the open oven door. The oven should not tip forward.

ELECTRIC WALL OVEN INSTALLATION INSTRUCTIONS

(with cooktop combination installations)

7 Install the Bottom Trims

CAUTION Bottom trims must be installed for the oven to function properly. **DO NOT** operate the oven without bottom oven trims installed. Do not use wood or any other trim that is not manufactured for use with this model. Operating the appliance without manufacturer's bottom trims properly installed may cause personal injury and may damage cabinetry or the appliance.

Screws to attach the bottom trim are supplied with the oven. The trims are easier to install if the door is removed. See the Use and Care Manual for instructions on how to remove the oven door.

All 30" Models:

A. Place the air diverter (A) in place as shown in Figure 9. Line up screw locations and attach both ends.

B. Place the color matched trim (B) in place as shown. Line up screw locations and attach both ends.

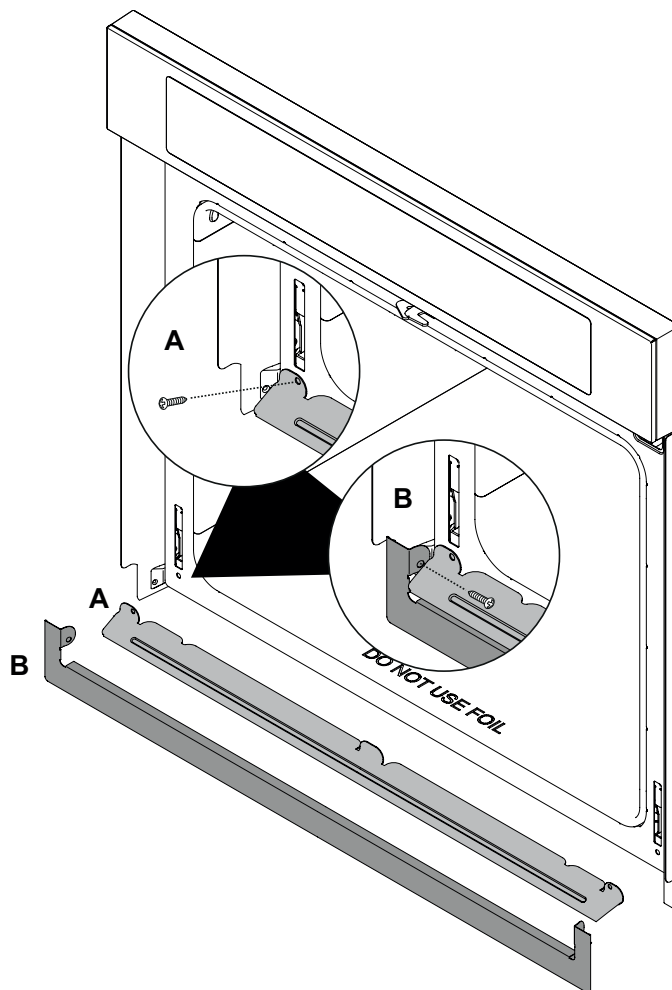


Figure 9

ELECTRIC WALL OVEN INSTALLATION INSTRUCTIONS

(with cooktop combination installations)

TYPICAL UNDER-COUNTER INSTALLATION

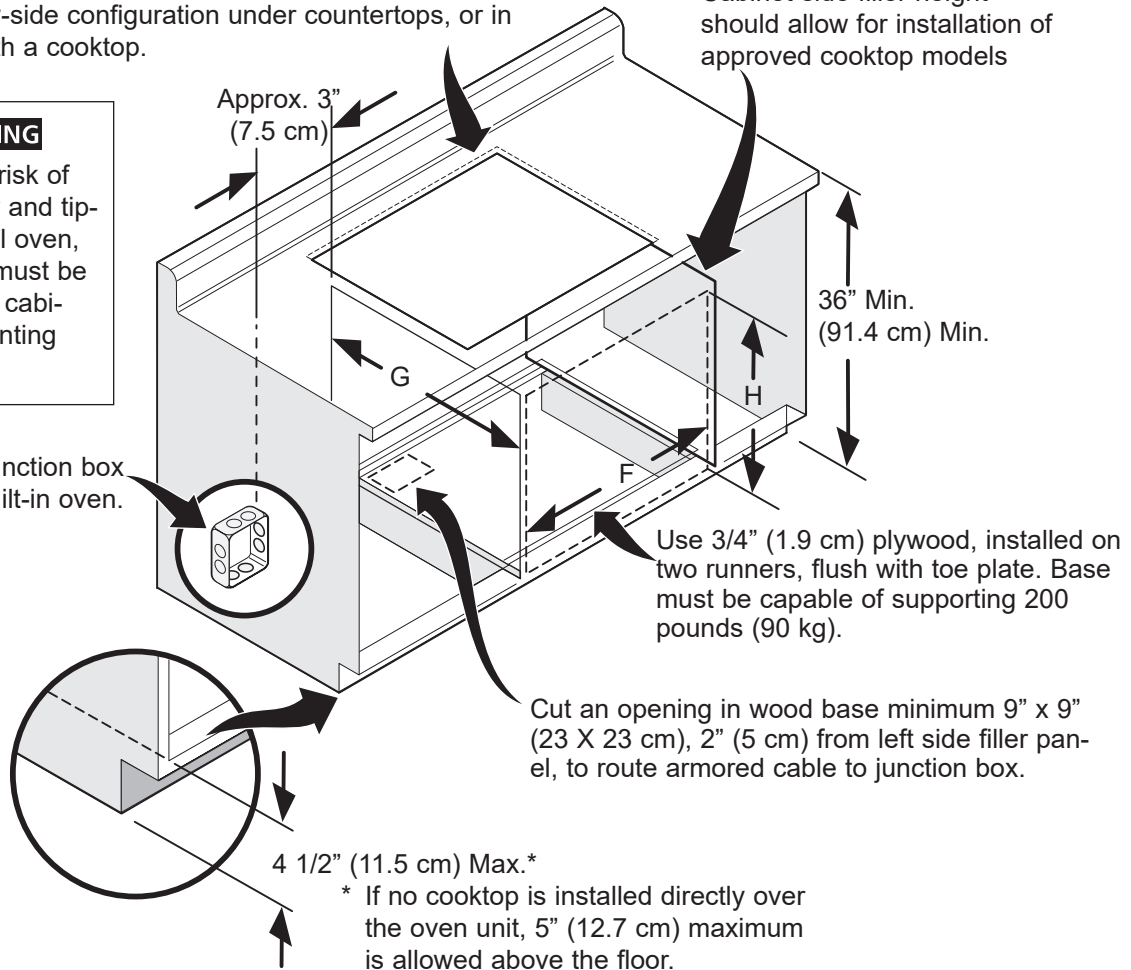
⚠ WARNING Do not remove spacers (if equipped) on the side walls of the built-in oven. These spacers center the oven in the space provided. The oven must be centered to prevent excess heat buildup that may result in heat damage or fire.

Only certain cooktop models may be installed over certain built-in electric oven models. Approved cooktops and built-in ovens are listed by the MFG ID number and product code (see the insert sheet included in the literature package and cooktop installation instructions for dimensions). Do not install a side-by-side configuration under countertops, or in combination with a cooktop.

Cabinet side filler panels are necessary to isolate the unit from adjoining cabinets. Cabinet side filler height should allow for installation of approved cooktop models

⚠ WARNING
To reduce the risk of personal injury and tipping of the wall oven, the wall oven must be secured to the cabinet (s) by mounting screws.

208/240 Volt junction box for built-in oven.

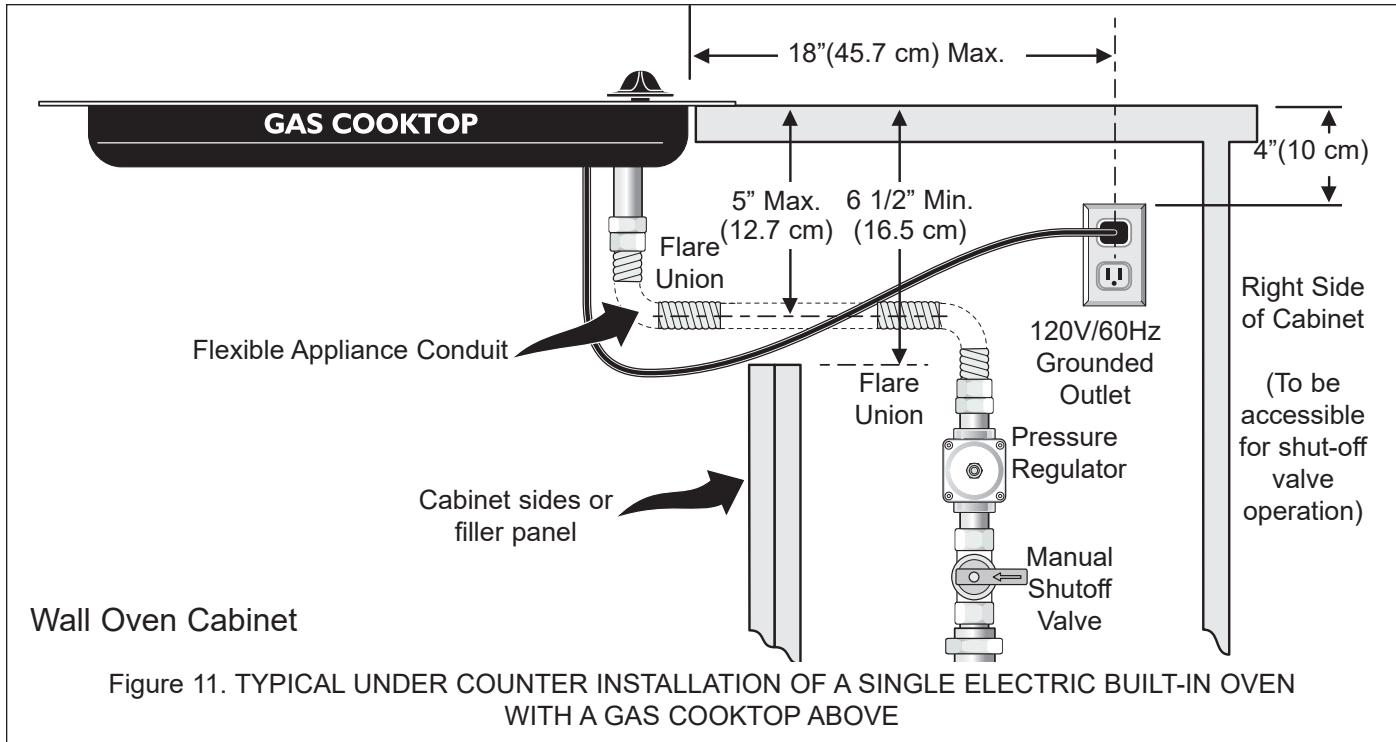


CUTOUT DIMENSIONS AND CABINET WIDTH			
	F. WIDTH	G. DEPTH	H. HEIGHT
30" (76.2 cm)	28 1/2" (72.4 cm) Min. 29" (73.7 cm) Max.	24 (61.0)	27 1/4 (69.2) Min. 28 1/8 (71.4) Max.

Figure 10. TYPICAL UNDER COUNTER INSTALLATION OF A SINGLE ELECTRIC BUILT-IN OVEN WITH AN ELECTRIC COOKTOP MOUNTED ABOVE

ELECTRIC WALL OVEN INSTALLATION INSTRUCTIONS

(with cooktop combination installations)



4. Leveling the Wall Oven

1. Install an oven rack in the center of the upper oven (see Figure 12).
2. Place a level on the rack. Take 2 readings with the level placed diagonally in one direction and then the other. Use wood shims under the wall oven to level if necessary.
3. Repeat in the lower oven if you have a double cavity wall oven. If the level indicates that the rack is not level, use wood shims to reach a compromise for both ovens.

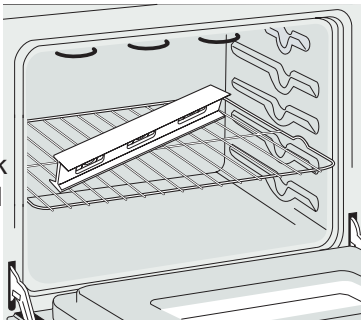


Figure 12

IMPORTANT NOTE

A cooling fan inside the upper rear part above the oven (some models) provides cooling of the oven electrical and electronic components. If the oven has been operating at high temperatures, the fan will continue to run after the oven is turned off.

5. Checking Operation

Your model is equipped with an Electronic Oven Control. Each of the functions has been factory checked before shipping. However, it is suggested that you verify the operation of the electronic oven controls once more. Refer to the Use and Care Guide for operation.

1. Remove all items from the inside of the oven.
2. Turn on the power to the oven (Refer to your Use & Care Guide.)
3. Verify the operation of the electronic oven controls:
 - Bake– Verify that this function makes the oven hot. 20 seconds after turning oven on, open the door and you should feel heat coming from the oven.

Broil– When the oven is set to BROIL, the upper element in the oven should become red.

Convection (some models)–When the oven is set for a convection baking or roasting, both elements cycle on and off alternately and the convection fan will run. The convection fan will stop running when the oven door is opened.

Before You Call for Service

Read the "Before You Call for Service Checklist" and the "Operating Instructions" in your Use and Care Guide. It may save you time and expense. The list includes common occurrences that are not the result of defective workmanship or materials in this appliance.

Refer to your Use and Care Guide for service phone numbers.

