

BUILT-IN CONVECTION MICROWAVE INSTALLATION INSTRUCTIONS

United States
and Canada



INSTALLATION AND SERVICE MUST BE PERFORMED BY A QUALIFIED INSTALLER.
IMPORTANT: SAVE FOR LOCAL ELECTRICAL INSPECTOR'S USE.
READ AND SAVE THESE INSTRUCTIONS FOR FUTURE REFERENCE.

⚠ WARNING FOR YOUR SAFETY: Do not store or use gasoline or other flammable vapors and liquids in the vicinity of this or any other appliance.

Your new microwave oven has been designed to fit a limited variety of cutout sizes to make the job of installing easier. The first step of your installation should be to measure your current cutout dimensions and compare them to the cutout dimensions chart below for your model. You may find little or no cabinet work being necessary.

Important Notes to the Installer

1. Read all of the installation instructions before installing the microwave oven.
2. Remove all packing material from the oven compartments before connecting the electrical supply to the microwave oven.
3. Observe all governing codes and ordinances.
4. Be sure to leave these instructions with the consumer.
5. The oven door may be removed to facilitate installation.

Important Notes to the Consumer

Keep these instructions with your Owner's Guide for the local electrical inspector's use and future reference.

IMPORTANT SAFETY INSTRUCTIONS

- Be sure your microwave oven is installed and grounded properly by a qualified installer or service technician.
- This microwave oven must be electrically grounded in accordance with local codes or, in their absence, with the National Electrical Code ANSI/NFPA No. 70- latest edition in the United States, or with CSA Standard C22.1, Canadian Electrical Code, Part 1, in Canada.

⚠ WARNING Stepping, leaning, or sitting on the door of this microwave oven can result in serious injuries and can also cause damage to the microwave oven.

- Never use your microwave oven for warming or heating the room. Prolonged use of the microwave oven without adequate ventilation can be dangerous.

⚠ WARNING The electrical power to the microwave oven must be shut off while line connections are being made. Failure to do so could result in serious injury or death.

1. Carpentry

Refer to figure 2, 3, or 4 for the dimensions applicable to your appliance and the space necessary to receive the oven. The oven support surface may be solid plywood or similar material, however, the surface must be level from side to side and from front to rear.

2. Electrical Requirements

This appliance must be supplied with the proper voltage and frequency, and it must be connected to an individual, properly grounded branch circuit protected by a circuit-breaker or fuse.

Electrical Requirements:

- A three-prong grounded outlet
- 120 V, 60 Hz, AC only
- 20 Amp electrical supply with a fuse or a circuit breaker
- 20 Amp outlet duplex must be used

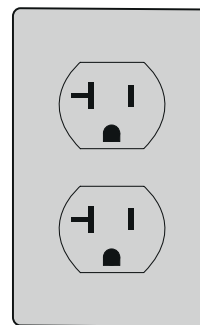


Figure 1: 3-prong 20-Amp Grounded Outlet

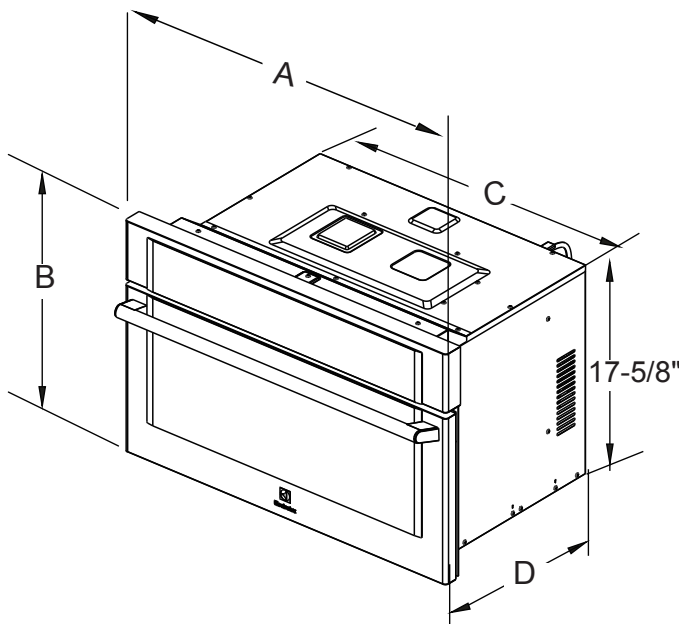
BUILT-IN CONVECTION MICROWAVE INSTALLATION INSTRUCTIONS

3. Cabinet Installation

1. Unpack the microwave oven.
2. Find the two mounting screws included in the literature package.
3. Insert the oven into the cabinet opening.
4. Push the oven in and against the cabinet.

NOTES:

1. The base must be capable of supporting 155 pounds (70 kg).
2. Allow at least 21" (53.3 cm) clearance in front of the oven for door depth when it is open.
3. Dimension G (cutout depth) is critical to the proper installation of the built-in oven. If the oven decorative trim does not lie flush against the cabinet, or if noise is heard on convection models, verify dimension G to assure that it is the required depth.



⚠ WARNING
Do not lift or manipulate the oven door handle or the control panel.

⚠ WARNING
Heavy Weight Hazard

- Use two or more people to move and install the microwave oven.
- Failure to follow this instruction can result in injury or damage to the unit.

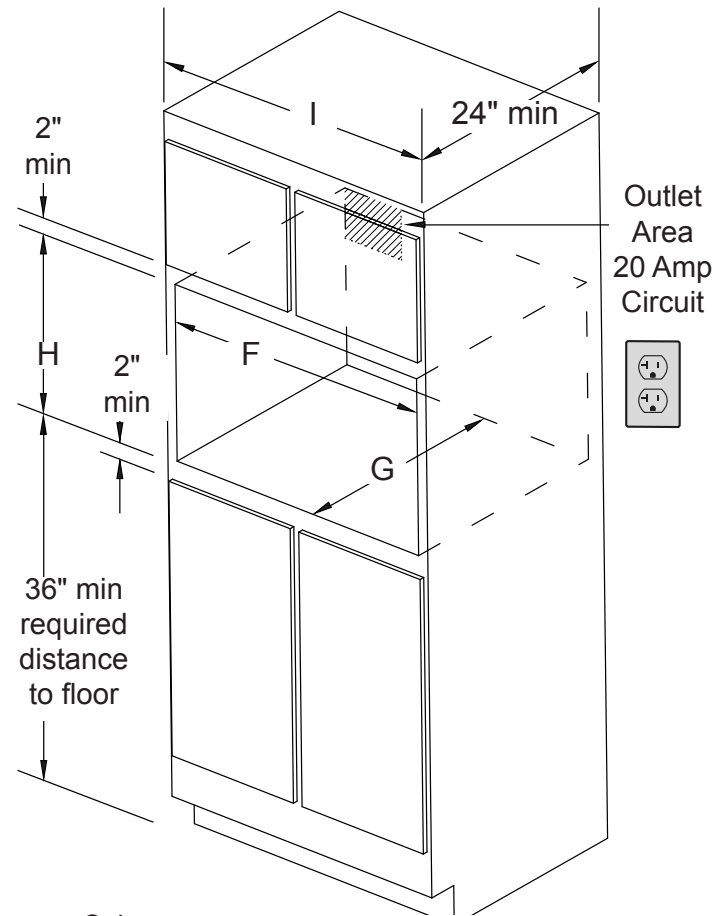


Figure 2: Microwave Only

PRODUCT DIMENSIONS						
MODEL	A		B	C		D
Convection Microwave Oven	29-13/16		19	24-5/8		23
CUTOUT DIMENSIONS AND CABINET WIDTH						
MODEL	F		G Min	H		I Min.
	Min.	Max.		Min.	Max.	
Convection Microwave Oven	28	28-3/8	23	17-3/4	18	30-1/8

All dimensions are in inches (cm).

BUILT-IN CONVECTION MICROWAVE INSTALLATION INSTRUCTIONS

NOTES:

1. The base must be capable of supporting 155 pounds (70 kg).
2. Allow at least 21" (53.3 cm) clearance in front of the oven for door depth when it is open.
3. Dimension G (cutout depth) is critical to the proper installation of the built-in oven. If the oven decorative trim does not lie flush against the cabinet, or if noise is heard on convection models, verify dimension G to assure that it is the required depth.

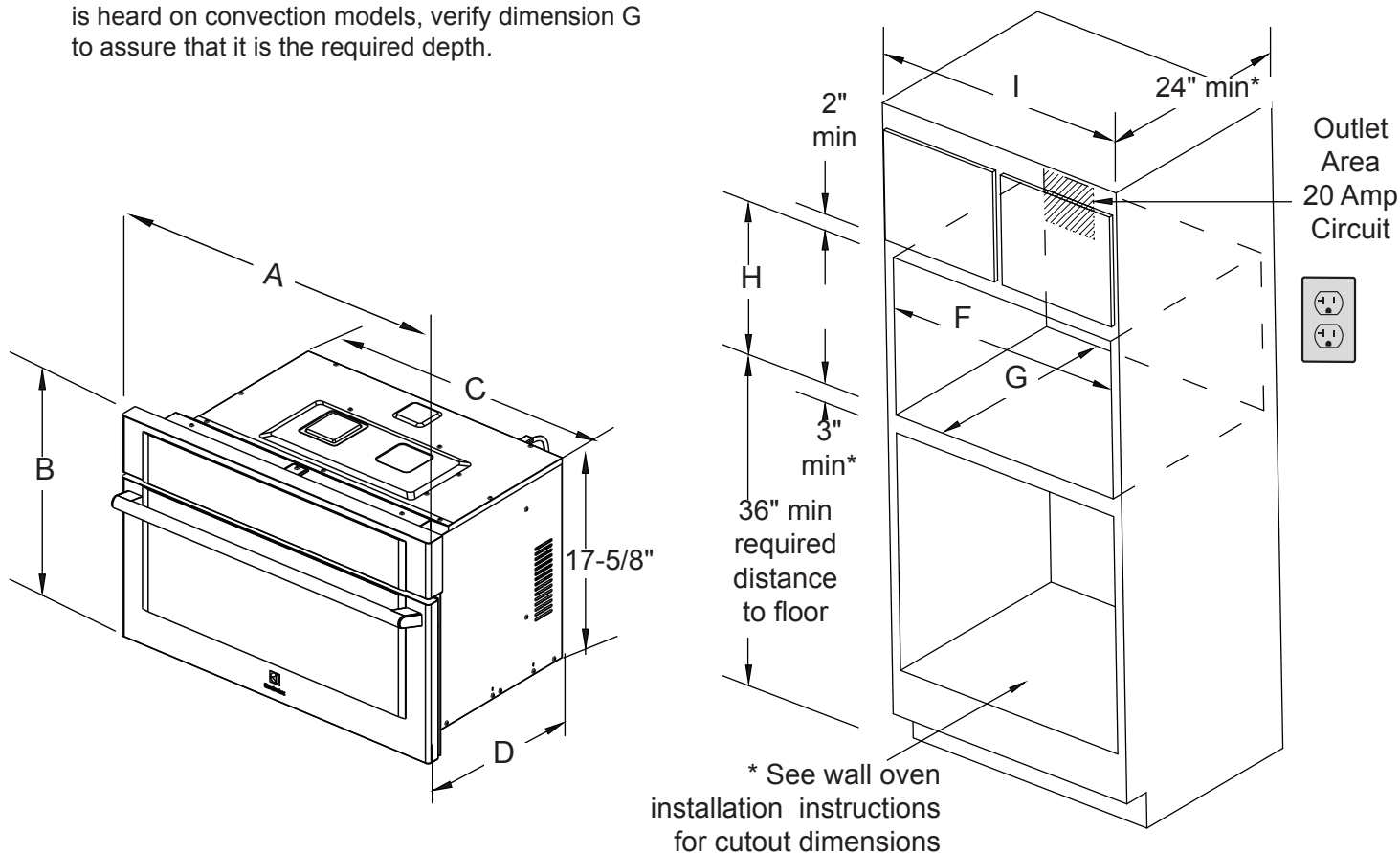


Figure 3: Microwave with Wall Oven

PRODUCT DIMENSIONS						
MODEL	A		B	C		D
Convection Microwave Oven	29-13/16		19	24-5/8		23
CUTOUT DIMENSIONS AND CABINET WIDTH						
MODEL	F		G	H		I
	Min.	Max.	Min	Min.	Max.	Min.
Convection Microwave Oven	28	28-3/8	23	17-3/4	18	30-1/8

All dimensions are in inches (cm).

BUILT-IN CONVECTION MICROWAVE INSTALLATION INSTRUCTIONS

NOTES:

1. The base must be capable of supporting 155 pounds (70 kg).
2. Allow at least 21" (53.3 cm) clearance in front of the oven for door depth when it is open.
3. Dimension G (cutout depth) is critical to the proper installation of the built-in oven. If the oven decorative trim does not lie flush against the cabinet, or if noise is heard on convection models, verify dimension G to assure that it is the required depth.

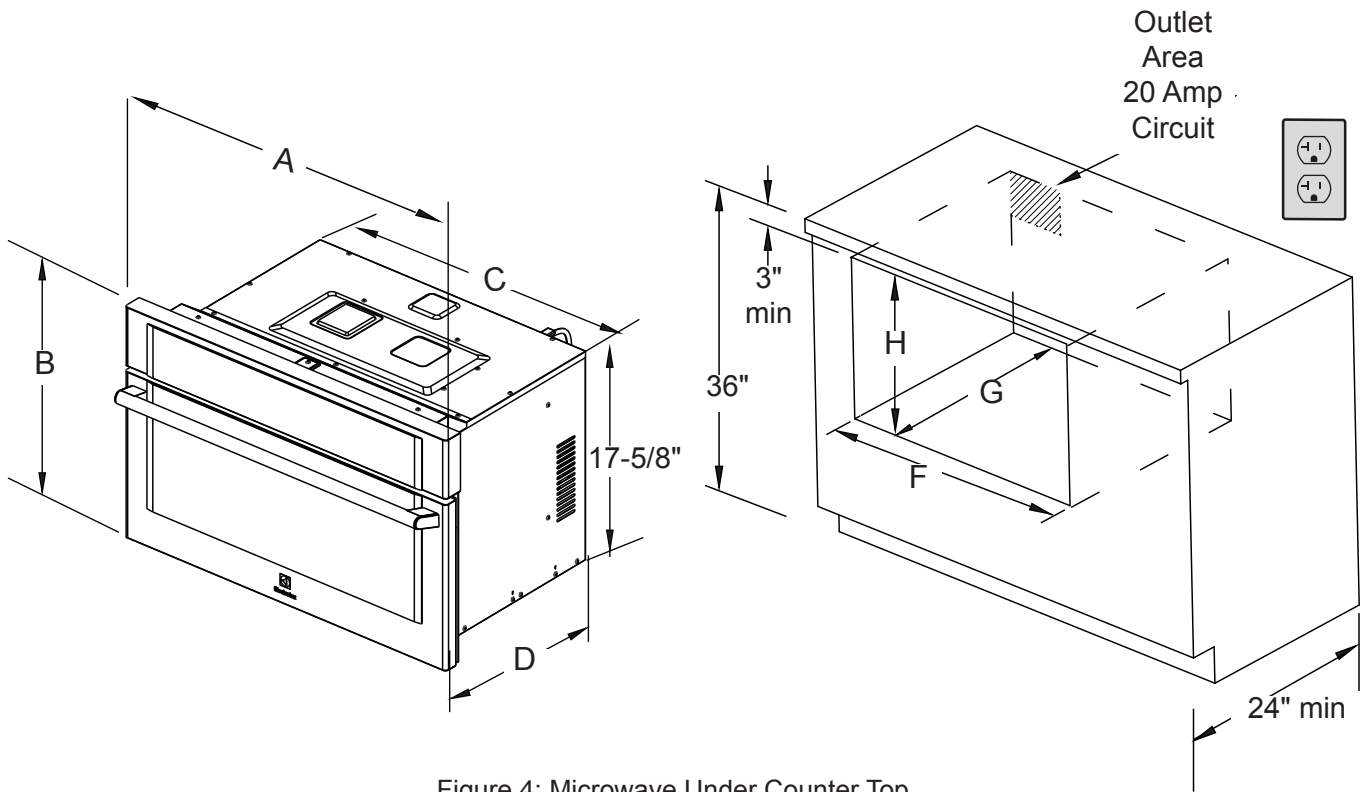


Figure 4: Microwave Under Counter Top

PRODUCT DIMENSIONS						
MODEL	A		B	C		D
Convection Microwave Oven	29-13/16		19	24-5/8		23
CUTOUT DIMENSIONS AND CABINET WIDTH						
MODEL	F		G	H		
	Min.	Max.	Min	Min.	Max.	
Convection Microwave Oven	28	28-3/8	23	17-3/4	18	

All dimensions are in inches (cm).

BUILT-IN CONVECTION MICROWAVE INSTALLATION INSTRUCTIONS

4. Install Mounting Screws

⚠ WARNING The microwave oven can tip when the door is open. The mounting screws supplied with the microwave oven must be installed to prevent tipping of the microwave oven and injury to persons.

1. The mounting holes in the side trims may be used as a template to locate the appliance mounting screw holes (see figure 5).
2. Use the two screws supplied to fix the appliance to the cabinet.

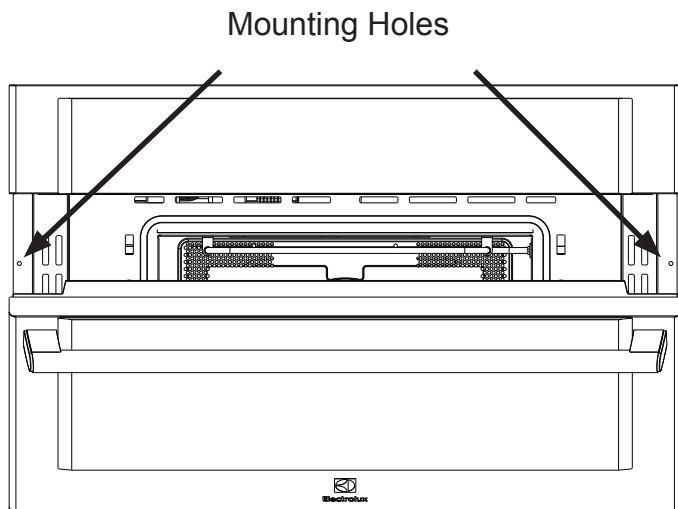


Figure 5: Mounting Screw Holes

6. Model and Serial Number Location

The serial plate is located along the interior side trim of the oven and visible when the door is open.

When ordering parts for or making inquiries about your microwave oven, always be sure to include the model and serial numbers and a lot number or letter from the serial plate.

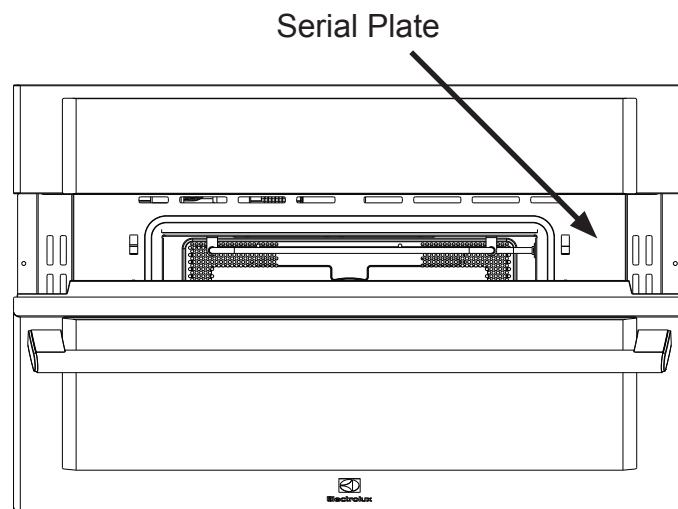


Figure 7: Serial Plate Location

5. Minimum Cutout Overlap

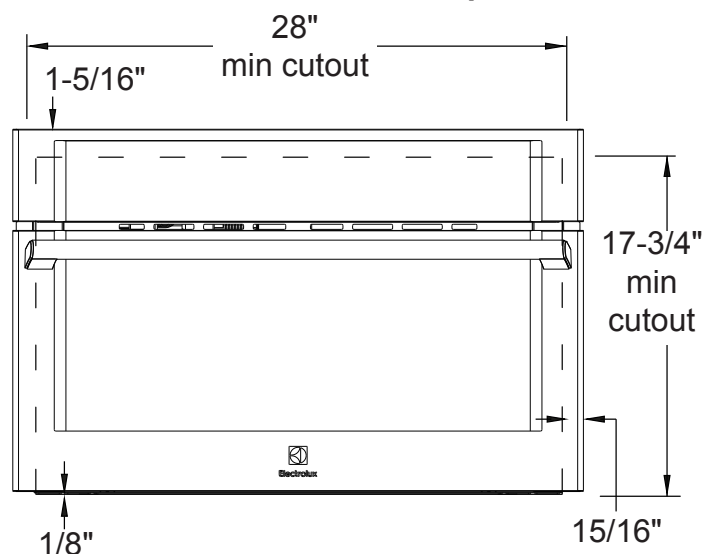


Figure 6: Minimum cutout overlap

Before You Call for Service

Read the "Before You Call for Service Checklist" and the "Operating Instructions" in your *Use and Care Guide*; it may save you time and expense. The list includes common occurrences that are not the result of defective workmanship or materials in this appliance.

Refer to your *Use and Care Guide* for service phone numbers.

