

Use & Care Guide  
Manual de Uso y Cuidado  
English / Español



# Kenmore Elite®

## Bottom Freezer Refrigerator Refrigerador Congelador Inferior

Models, Modelos: KLBH031A\*E#

\* color code, código de color

# product version number, número de versión del producto

**Customer Care Hotline**  
**1-888-KENMORE**  
**1-888-536-6673**



## TABLE OF CONTENTS

<p><b>Warranty</b> ..... 3</p> <p><b>Product Record</b> ..... 4</p> <p><b>Important Safety Instructions</b> ..... 5-8</p> <p><b>Parts and Features</b> ..... 9</p> <p><b>Refrigerator Installation</b>..... 10-18</p> <p style="padding-left: 20px;">Unpacking Your Refrigerator ..... 10</p> <p style="padding-left: 20px;">Prior to Use ..... 11</p> <p style="padding-left: 20px;">Installation ..... 11</p> <p style="padding-left: 20px;">Removing/Replacing Your Refrigerator and Freezer Handles, Doors and Drawers ..... 12-17</p> <p style="padding-left: 20px;">Refrigerator Leveling &amp; Door Adjustment .....18</p> <p><b>Using Your Refrigerator</b>..... 19-31</p> <p style="padding-left: 20px;">Setting the Controls .....19</p> <p style="padding-left: 20px;">Control Panel .....20</p> <p style="padding-left: 20px;">Smart Features .....21</p> <p style="padding-left: 20px;">Instructions for Smart Grid .....22</p> <p style="padding-left: 20px;">FCC Notice ..... 23</p> <p style="padding-left: 20px;">Pantry Control Panel.....24</p> <p style="padding-left: 20px;">Dispenser Control Panel.....24</p> <p style="padding-left: 20px;">Icemaker .....25-27</p> <p style="padding-left: 20px;">Food Storage Guide ..... 28</p> <p style="padding-left: 20px;">Storing Frozen Food ..... 28</p> <p style="padding-left: 20px;">Refrigerator Section .....29-31</p>	<p><b>Connecting the Water Line</b>..... 32</p> <p><b>Water Filter</b> ..... 33</p> <p><b>Care and Cleaning</b> .....34-35</p> <p><b>Troubleshooting Guide</b> .....36-43</p> <p><b>Service</b> ..... Back Cover</p>
---	--

# KENMORE ELITE LIMITED WARRANTY



## REFRIGERATOR WARRANTY

### KENMORE ELITE LIMITED WARRANTY

FOR ONE YEAR from the date of sale this appliance is warranted against defects in material or workmanship when it is correctly installed, operated and maintained according to all supplied instructions.

WITH PROOF OF SALE a defective appliance will receive free repair. If the appliance cannot be repaired, it will be replaced free of charge.

The Kenmore Elite brand name is used under license. Direct all claims for warranty service to 1-888-536-6673.

This warranty is void if this appliance is ever used for other than private household purposes.

This warranty gives you specific legal rights, and you may also have other rights which vary from state to state.

Winiadaewoo Electronics America Inc., Ridgfield Park, NJ 07660

## PRODUCT RECORD

In the space below, record the date of purchase, model and serial number of your product. You will find the model and serial number printed on an identification label located on the interior liner of the refrigerator compartment. Have these items of information available whenever you contact the service center concerning your product.

Model No. \_\_\_\_\_

Date of Purchase \_\_\_\_\_

Serial No. \_\_\_\_\_

Save these instructions and attach your sales receipt for future reference.



# IMPORTANT SAFETY INSTRUCTIONS

## BASIC SAFETY PRECAUTIONS

This guide contains many important safety messages. Always **read and obey** all safety messages.



This is the safety alert symbol. It alerts you to safety messages that inform you of hazards that can kill or hurt you or others, or cause damage to the product.

All safety messages will be preceded by the safety alert symbol and the hazard signal word DANGER, WARNING or CAUTION. These words mean:

**! DANGER**

You **will** be killed or seriously injured if you do not follow instructions.

**! WARNING**

You **can** be killed or seriously injured if you do not follow instructions.

**! CAUTION**

Indicates an imminently hazardous situation which, if not avoided, **may** result in minor or moderate injury, or product damage.

All safety messages will identify the hazard, tell you how to reduce the chance of injury, and tell you what can happen if the instructions are not followed.

## **! WARNING**

**To reduce the risk of fire, electric shock, or personal injury when using your product, basic safety precautions should be followed, including the following.**

**Read all instructions before using this appliance.**

- NEVER unplug your refrigerator by pulling on the power cord. Always grip the plug firmly and pull it straight out from the outlet.
- If the supply cord is damaged, it must be replaced by the manufacturer or its service agent or a similarly qualified person in order to avoid a hazard. Do not use a cord that shows cracks or abrasion damage along its length or at either the plug or connector end.
- Do not modify or extend the power cord length. It could cause electric shock or fire.
- When moving your refrigerator away from the wall, be careful not to roll over or damage the power cord.
- DO NOT store or use gasoline or other flammable vapors and liquids in the vicinity of this or any other appliance.
- This appliance is not intended for use by persons (including children) with reduced physical, sensory or mental capabilities, or lack of experience and knowledge, unless they have been given supervision or instruction concerning use of the appliance by a person responsible for their safety.

- DO NOT allow children to climb, stand, or hang on the refrigerator doors or shelves in the refrigerator. They could damage the refrigerator and seriously injure themselves.
- Keep fingers out of pinch point areas; clearances between the doors and cabinets are necessarily small. Be careful closing doors when children are in the area.
- Unplug your refrigerator before cleaning or making any repairs.

**NOTE:** It is strongly recommended that any service be performed by a qualified technician.

- Keep ventilation openings, in the appliance enclosure or in the built-in structure, clear of obstruction.
- Do not use mechanical devices or other means to accelerate the defrosting process, other than those recommended by the manufacturer
- Do not damage the refrigerant circuit
- Do not use electrical appliances inside the food storage compartments of the appliance unless they are of the type recommended by the manufacturer
- Connect to potable water supply only.

## SAVE THESE INSTRUCTIONS

## WARNING

- Before replacing a burned-out or broken light bulb, unplug the refrigerator or turn off power at the circuit breaker or fuse box in order to avoid contact with a live wire filament. (A burned-out light bulb may break when being replaced exposing the wire filament.)

**NOTE:** Some models have LED interior lighting and service should be performed by a qualified technician.

**WARNING:** Setting either or both controls to the OFF position does not remove power to the light circuit.

- When you are finished, reconnect the refrigerator to the electrical source and reset the controls (Thermostat, Refrigerator Control, and or Freezer Control, depending on the model) to the desired setting.
- This refrigerator must be properly installed in accordance with the Attention Installer Instructions.
- After your refrigerator is in operation, do not touch the cold surfaces in the freezer compartment when hands are damp or wet. Skin may adhere to the extremely cold surfaces.
- Do not plug several appliances into the same wall outlet. - It can be a cause of overheating and/or fire. Use an exclusive grounding receptacle for the refrigerator.
- Never hold the power cord or plug with wet hands. - There is a risk of electric shock
- Never use a damaged power cord or plug, or loose main socket. - There is a risk of fire, electric shock or serious injury.
- Be sure to ground. Check if your wall outlet is grounded (earthed). - There is a risk of electric shock hazards.
- Do not install the refrigerator on a wet floor or in a place with excessive humidity and moisture. - Electric insulation gets weakened, resulting in a risk of electric shock hazards.
- Never let the power cord touch or pass over heating appliances. - Power cord can be damaged, resulting in a risk of electric shock hazards.
- Make sure plug is fully inserted into socket to prevent the risk of electrical shock.
- Do Not store or use gasoline or other flammable vapors and liquids in the vicinity of this or any other appliance.
- Never pour or spray water into the refrigerator (both interior and exterior). - Electric insulation gets weakened, resulting in a risk of electric shock hazards.
- Do not place containers with water or liquid on top of refrigerator. - Water can spill into the refrigerator and can cause electric shock hazards or damage.
- Do not move or remove compartment shelves/pockets while foods and containers are on them. - Hard containers (of glass, metal etc.) can fall to hurt you and can break glass shelf and interior parts.
- Never repair, disassemble or alter the refrigerator on your own. - There is a risk of personal injury or damage to the refrigerator. It is recommended that any service be carried out by a qualified person.
- If a gas leak is found near the refrigerator or in the kitchen, ventilate it immediately without touching the power plug or refrigerator.
- Do not store medicine, academic research samples which require strict temperature control in the refrigerator.
- Never insert fingers or hands into the bottom of the refrigerator, especially into the bottom back. - You can be hurt by sharp metal edges or can receive an electric shock.
- When you find the power cord damaged or cut, call the service agent immediately.
- When you get rid of your old refrigerator, be sure to remove the door packings first. - Children can be entrapped and suffocated in an abandoned refrigerator.
- It is recommended to unplug the refrigerator when it is not going to be used for a long period of time.
- Never touch foods and containers especially of metal with wet hands in the freezer compartment. - You can be hurt by chilblains or cold burns.
- Never eat any decayed or deteriorated food at all. - Foods stored too long in the refrigerator can deteriorate and become decayed.
- Never place bottles and containers of glass in the freezer compartment. - Glass containers and bottles can break and hurt you.
- When moving the refrigerator (horizontally or tilted), more than 2 persons are required to hold it.(One to hold top back handles, the other to hold the bottom holder). If other parts are held instead, it is very dangerous and likely to slip.

## SAVE THESE INSTRUCTIONS

## ⚠ WARNING

- Be sure to turn up the wheel first before moving the refrigerator - Be sure to turn up the wheel first before moving the refrigerator, Otherwise, the parts can collide and break each other.
- DO NOT touch the automatic ice making mechanism while the refrigerator is plugged in.
- DO NOT refreeze frozen foods which have thawed completely. The United States Department of Agriculture in Home and Garden Bulletin No. 69 says:

...You may safely refreeze frozen foods that have thawed if they still contain ice crystals or if they are still cold—below 39°F (4°C).

...Thawed ground meats, poultry or fish that have any off-odor or off-color should not be refrozen and should not be eaten. Thawed ice cream should be discarded. If the odor or color of any food is poor or questionable, dispose of it. The food may be dangerous to eat.

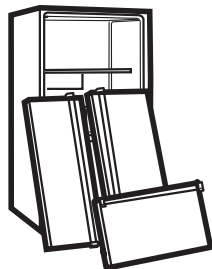
Even partial thawing and refreezing reduces the eating quality of foods, particularly fruits, vegetables and prepared foods. The eating quality of red meats is affected less than that of many other foods. Use refrozen foods as soon as possible to save as much of their quality as you can.

**⚠ WARNING** : The use of this appliance can expose you to chemicals known to the state of California to cause cancer, birth defects, or other reproductive harm. For more information go to [www.P65Warnings.ca.gov](http://www.P65Warnings.ca.gov)

## SAVE THESE INSTRUCTIONS

## ⚠ DANGER: RISK OF CHILD ENTRAPMENT

Junked or abandoned refrigerators are dangerous, even if they are sitting for only a few days. If you are getting rid of your old refrigerator, please follow the instructions below to help prevent accidents (child entrapment and suffocation).



### BEFORE YOU THROW AWAY YOUR OLD REFRIGERATOR OR FREEZER:

- Take off the doors.
- Leave the shelves in place so that children may not easily climb inside.

## CFC/HCFC DISPOSAL

Your old refrigerator may have a cooling system that used CFCs or HCFCs (chlorofluorocarbons or hydrochlorofluorocarbons). CFCs and HCFCs are believed to harm stratospheric ozone if released to the atmosphere. Other refrigerants may also cause harm to the environment if released to the atmosphere.

If you are throwing away your old refrigerator, make sure the refrigerant is removed for proper disposal by a qualified technician. If you intentionally release refrigerant, you may be subject to fines and imprisonment under provisions of environmental legislation.

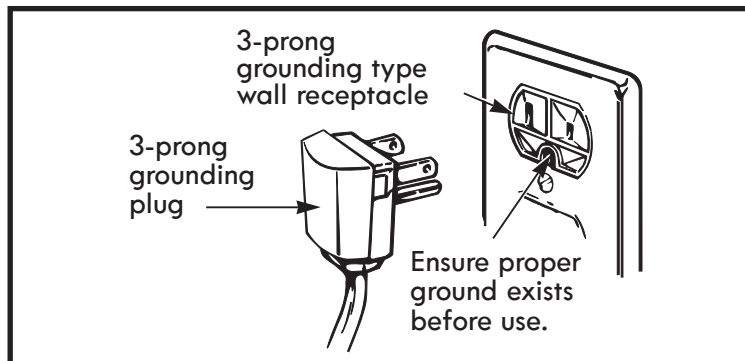
## ELECTRICAL & GROUNDING REQUIREMENTS

**IMPORTANT:** Please read carefully.  
**TO CONNECT ELECTRICITY**

### **⚠ WARNING**

#### **Electrical Shock Hazard**

**FOR PERSONAL SAFETY**, this appliance must be properly grounded. Have the wall outlet and the circuit checked by a qualified electrician to make sure the outlet is properly grounded.



### **RECOMMENDED GROUNDING METHOD**

The refrigerator should always be plugged into its own individual properly grounded electrical outlet rated for 115 Volts, 60 Hz, AC only, and fused at 15 or 20 amperes. This provides the best performance and also prevents overloading house wiring circuits which could cause a fire hazard from overheated wires. It is recommended that a separate circuit serving only this appliance be provided.

Use a receptacle that cannot be turned off with a switch or pull chain. Do not use an extension cord.

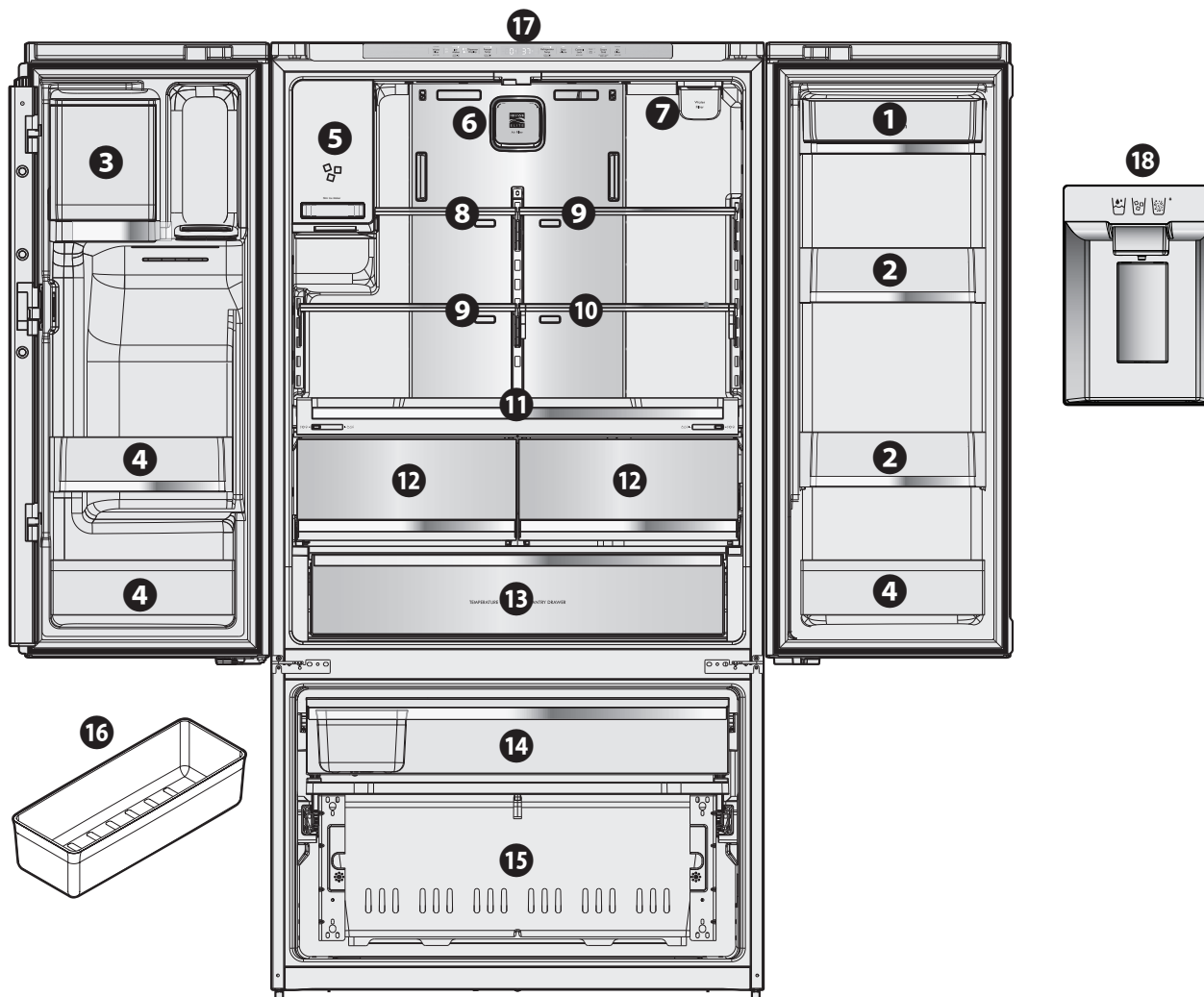
Where a standard two-prong wall outlet is encountered, it is your personal responsibility and obligation to have it replaced with a properly grounded three-prong wall outlet.

### **USE OF EXTENSION CORDS**

**Because of potential safety hazards under certain conditions, the use of an extension cord is not recommended.** However, if you still elect to use an extension cord, it is absolutely necessary that it be a UL-listed (USA), 3-wire grounding type appliance extension cord having a grounding type plug and outlet, and that the electrical rating of the cord be 15 amperes (minimum) and 120 volts.

Use of an extension cord will increase the clearance needed for the back of the refrigerator.

## PARTS AND FEATURES



1. Covered Dairy Bin or Covered Storage Bin for storing butter and cheese.
2. Gallon door storage bin for items of medium to large size.
3. Multi storage bin or Covered Storage Bin for storing butter and cheese.
4. Narrow door storage bin for small items.
5. Icemaker/Ice cube bin for making and holding ice for through-the-door dispenser.
6. Air filter
7. Water filter
8. Narrow Top Shelf
9. Adjustable glass shelf
10. Slide-in Shelf
11. Wide Slide-out Shelf
12. Humidity controlled crisper bin for storage of fruits and vegetables
13. Temperature controlled full width pantry drawer for storage of meat and fresh vegetables
14. Pull out freezer drawer
15. Lower freezer basket for general freezer storage
16. Freezer Ice Storage Bin
17. Control and display panel
18. Ice/Water Dispenser

# REFRIGERATOR INSTALLATION

## ! WARNING

### Excessive Weight Hazard:

Use two or more people to move and install the refrigerator. Failure to do so can result in back or other injury.

## ! WARNING

### Excessive Weight Hazard:

Your refrigerator is heavy. When moving the refrigerator for cleaning or service, be sure to protect the floor. Always pull the refrigerator straight out when moving it. Do not wiggle or walk the refrigerator when trying to move it, as floor damage could occur.

## UNPACKING YOUR REFRIGERATOR

Remove tape and any temporary labels from your refrigerator before using. Do not remove any warning-type labels, the model and serial number label, or the Tech Sheet that is located under the front of the refrigerator.

To remove any remaining tape or glue, rub the area briskly with your thumb. Tape or glue residue can also be easily removed by rubbing a small amount of liquid dish soap over the adhesive with your fingers. Wipe with warm water and dry.

Do not use sharp instruments, rubbing alcohol, flammable fluids, or abrasive cleaners to remove tape or glue. These products can damage the surface of your refrigerator.

Refrigerator shelves are installed in the shipping position. Please reinstall shelves according to your individual storage needs.

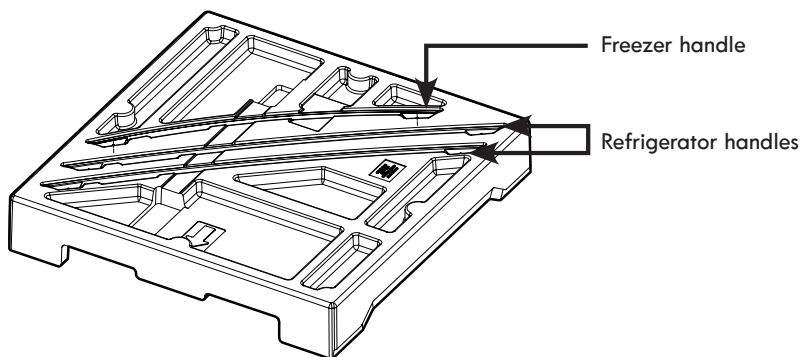
Remove all cantilevered refrigerator compartment shelves and remove the protective shipping tape found on the attachment hooks at back of shelves. For shelf removal instructions, see Refrigerator Shelves in USING YOUR REFRIGERATOR section of this Use & Care Guide.

## ! WARNING

### Explosion Hazard:

Keep flammable materials and vapors, such as gasoline, away from the refrigerator. Failure to do so can result in fire, explosion, or death.

## Handles are located in top packing cushion



# REFRIGERATOR INSTALLATION

## PRIOR TO USE

1. Clean your refrigerator thoroughly and wipe off all dust that accumulated during shipping.
2. Install accessories such as ice cube bin, drawers, shelves, etc., in their proper places. They are packed together to prevent possible damage during shipment.
3. Allow your refrigerator to run for at least two to three hours before putting food in it. Check the flow of cold air in the freezer compartment to ensure proper cooling. Your refrigerator is now ready for use.

## INSTALLATION

The refrigerator should always be plugged into its own individual properly grounded electrical outlet rated for 115 Volts, 60 Hz, AC only, and fused at 15 or 20 amperes. This provides the best performance and also prevents overloading house wiring circuits which could cause a fire hazard from overheated wires. It is recommended that a separate circuit serving only this appliance be provided.

### WARNING

#### Shock Hazard:

To reduce the risk of electric shock, do not install the refrigerator in a wet or damp area.

## INSTALLATION (continued)

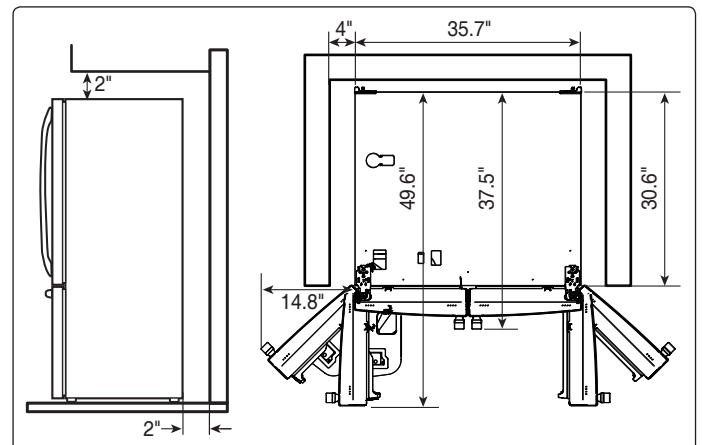
1. To avoid noise and vibration, the unit must be leveled and installed on a solidly constructed floor. If required, adjust the leveling legs to compensate for unevenness of the floor. The front should be slightly higher than the rear to aid in door closing. Leveling legs can be turned easily by tipping the cabinet slightly. Turn the leveling legs to the left to raise the unit or to the right to lower it. (See Leveling and door Alignment.)

**NOTE:** Installing on carpeting, soft tile surfaces, a platform or weakly supported structure is not recommended.

2. Install this appliance in an area where the temperature is between 55°F (13°C) and 110°F (43°C). If the temperature around the appliance is too low or high, cooling ability may be adversely affected.
3. Select a place where a water supply can be easily connected for the automatic icemaker.

**NOTE:** The water pressure must be from 30 to 125 psi or 207-862 kPa or 2.1-8.8 kgf/cm<sup>2</sup>. If the refrigerator is installed in an area with low water pressure below 30 psi, you can install a booster pump to compensate for the low pressure.

4. For sufficient door opening clearance, allow at least 4 inches between the side of the refrigerator and an adjacent wall or surface that extends fully to or past the front door of the refrigerator. For complete door opening, allow at least 14.8 inches between the side of refrigerator and a wall or surface that extends to or past refrigerator front door.
5. Too small of a distance from adjacent surfaces may result in lowered freezing capability and increased electricity consumption charges. Provide the following unobstructed clearance for sufficient air flow around the refrigerator:
  - At least 2 inches between refrigerator back and wall.
  - At least 2 inches between refrigerator top and overhead surface.





# REFRIGERATOR INSTALLATION

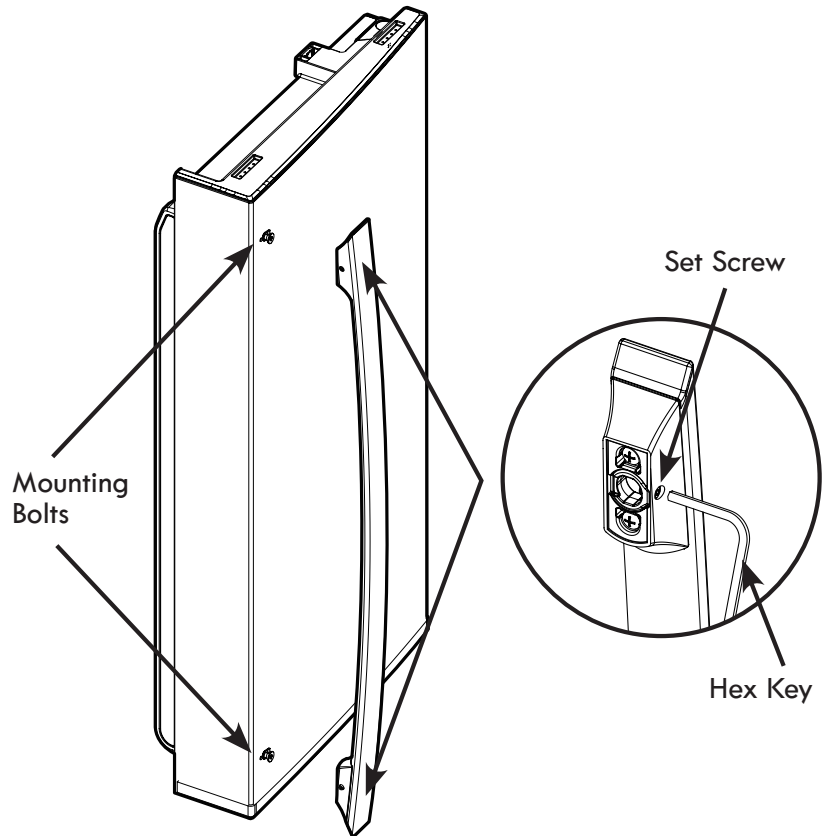
**NOTE:** Removing the doors is always recommended when it is necessary to move the refrigerator through a narrow opening. If it is necessary to remove the handles, follow the directions below.

## HOW TO REMOVE REFRIGERATOR DOOR HANDLE

**NOTE:** Handle appearance may vary from the illustrations on this page.

### Removing Refrigerator Handle

Use the provided 2.5 mm hex key to loosen the 2 set screws located on the inside top ends of the handle. Remove the handle from the underlying handle mounting bolts on the door.



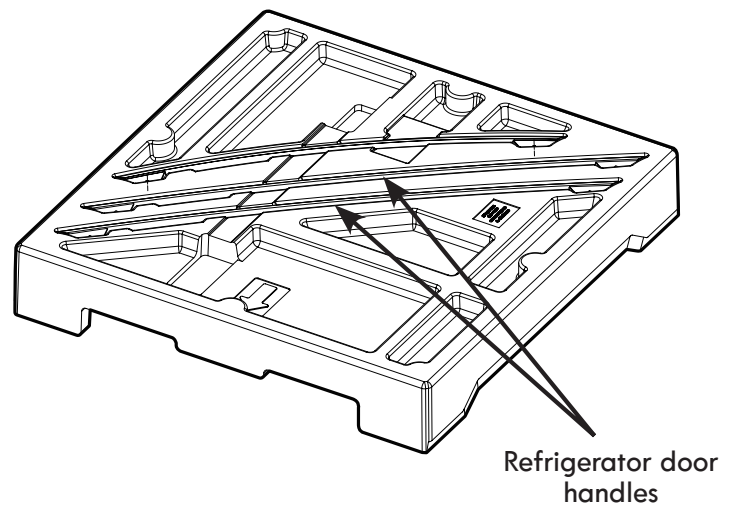
## HOW TO REPLACE REFRIGERATOR DOOR HANDLE

**NOTE:** Handle appearance may vary from the illustrations on this page.

### Replacing Refrigerator Handle

Place the handle ends onto the handle mounting bolts on the door. Use the 2.5 mm hex key to tighten the 2 set screws to secure the handle in place.

Refrigerator door handles are located in top packing cushion





# REFRIGERATOR INSTALLATION

**NOTE:** Removing the doors is always recommended when it is necessary to move the refrigerator through a narrow opening. If it is necessary to remove the handles, follow the directions below.

## HOW TO REMOVE FREEZER DRAWER HANDLES

**NOTE:** Handle appearance may vary from the illustrations on this page.

Use the provided 2.5 mm hex key to loosen the 2 set screws located on the inside top ends of the handle. Remove the handle from the underlying handle mounting bolts on the drawer.

## HOW TO REPLACE FREEZER DRAWER HANDLES

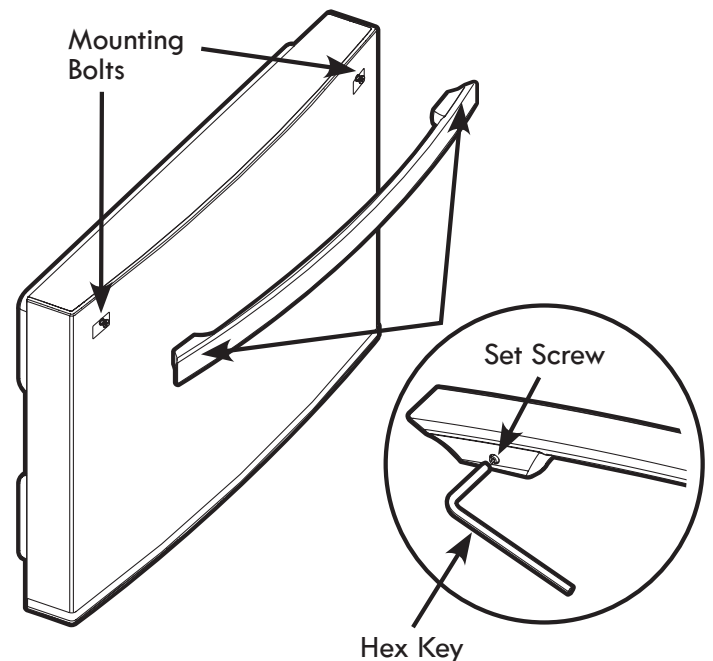
**NOTE:** Handle appearance may vary from the illustrations on this page.

Place the handle ends onto the handle mounting bolts on the drawer. Use the 2.5 mm hex key to tighten the 2 set screws to secure the handle in place.

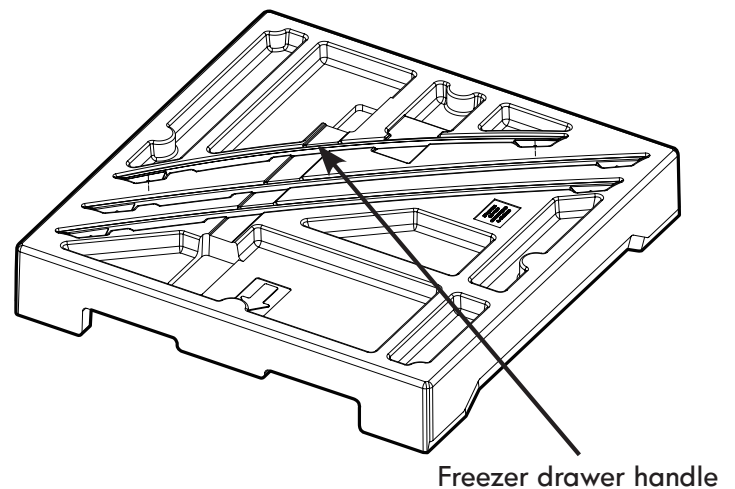
### **⚠ WARNING**

When assembling or disassembling the handles:

- Grasp the handle firmly to ensure it will not drop or cause injury.
- Prevent the handle from swinging toward nearby people or animals.
- Insert the handle footprints over the door mounting fasteners and tighten the hex screws to fix the handle in place.
- Check for any gap between the door and handle after the handle is fixed in place.



Freezer drawer handle is located in top packing cushion



# REFRIGERATOR INSTALLATION

## REMOVING AND REPLACING REFRIGERATOR DOORS

### ⚠ WARNING

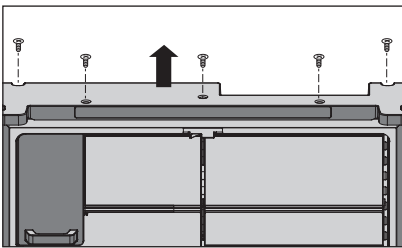
#### Risk of electric shock!

Before removing top hinge cover

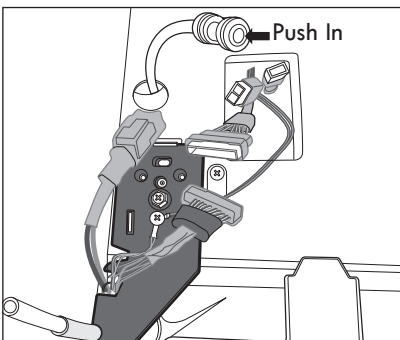
- Shut off the water supply to the appliance.
- Unplug the appliance or switch off power from the breaker or fuse panel.

#### To remove the left refrigerator door:

1. Remove top hinge cover using a phillips screwdriver by removing 5 screws.

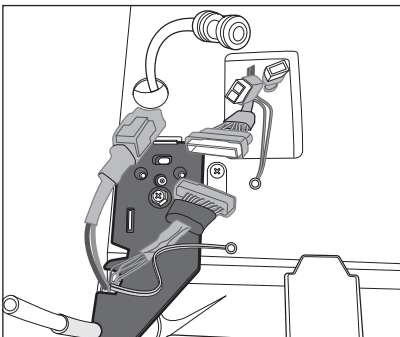


2. Remove the hinge grounding wire screw and pull the two grounding wire connections away from the hinge. Disconnect the two wire harnesses and the water tube. Push in the small first ring on the connection collar to remove the tube.

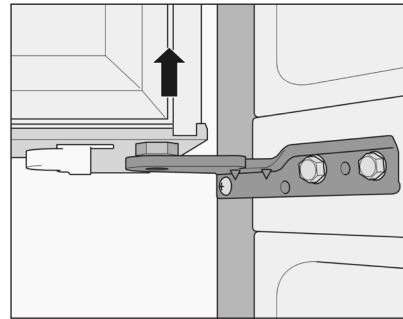


3. Using a 10mm box end or socket wrench, turn top hinge fastener counterclockwise to remove the top hinge plate.

**CAUTION:** After the hinge is removed, the door can fall down forward. Hold the door to prevent it from falling.



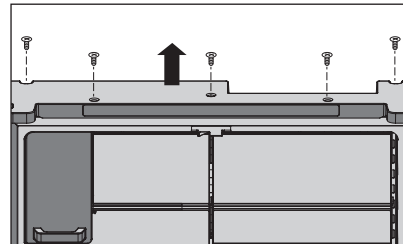
4. Lift the door from the middle hinge pin and remove the door. Place the door, inside facing up, on a non-scratch surface.



**NOTE :** If necessary to be able to move the unit through a narrow door or hallway, remove the left and right door middle hinges. Use a 10mm wrench to loosen and remove the two bolts attaching the hinge to the cabinet.

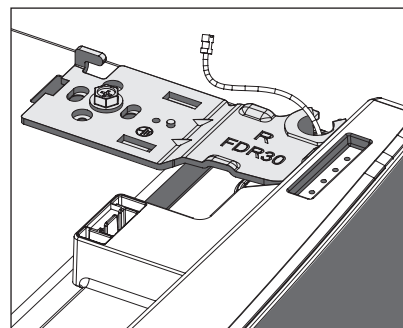
#### To remove the right refrigerator door:

1. Remove top hinge cover using a phillips screwdriver by removing 5 screws.



2. Using a 10 mm box end or socket wrench, turn top hinge fastener counterclockwise to remove the top hinge plate. Disconnect the wire harness.

**CAUTION:** After the hinge is removed, the door can fall down forward. Hold the door to prevent it from falling.

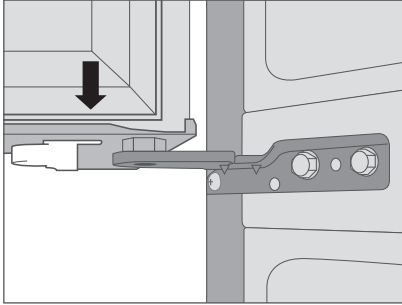


3. Lift the door from the middle hinge pin and remove the door. Place the door, inside facing up, on a non-scratch surface.

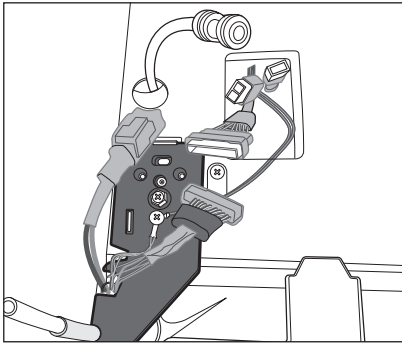
# REFRIGERATOR INSTALLATION

## Reinstalling the Left Refrigerator Door

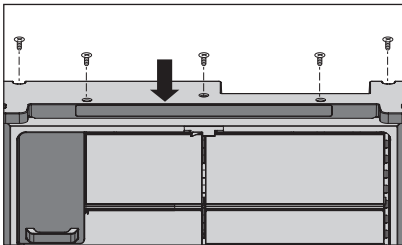
1. Lower the door onto the middle hinge.



2. Fit the top hinge over the mounting holes and align to proper position before tightening. Use a 10 mm box end or socket wrench to turn top hinge fastener to secure the hinge.

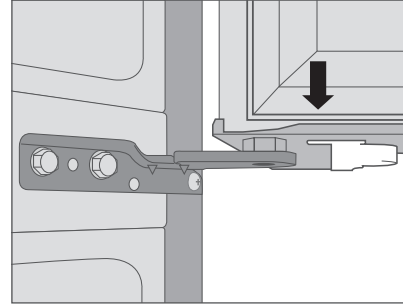


3. Screw top hinge cover into place with a screwdriver.

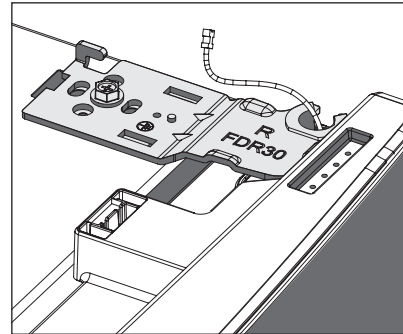


## Reinstalling the Right Refrigerator Door

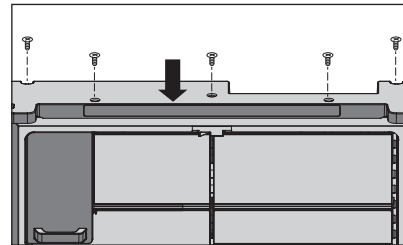
1. Lower the door onto the middle hinge.



2. Fit the top hinge over the mounting holes and align to proper position before tightening. Use a 10 mm box end or socket wrench to turn top hinge clockwise to secure the hinge. Securely reconnect the wire harness.



3. Screw top hinge cover into place with a screwdriver.

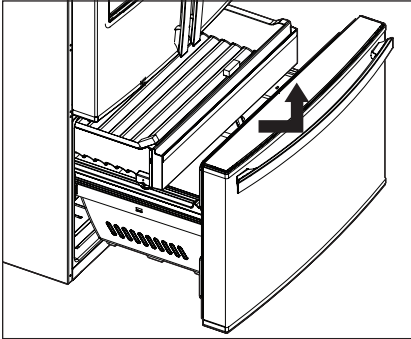


# REFRIGERATOR INSTALLATION

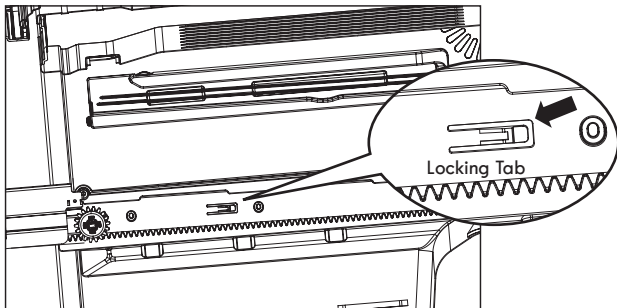
## HOW TO REMOVE THE FREEZER DRAWER

**⚠ WARNING:** Use two or more people to remove and install the freezer drawer. Failure to do so can result in personal injury, product or property damage.

1. Take out the ice bin first, and then take out the upper freezer drawer by lifting it up.

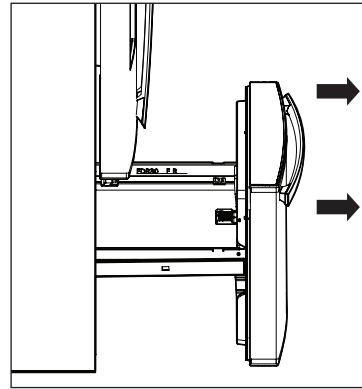


2. Remove lower freezer basket by pulling up and tilting toward refrigerator until it can be removed from the freezer drawer/door assembly.
3. Push down on the rail locking tabs while pulling the freezer drawer outwards to release the inner rail tracks from the cabinet. With the aid of an assistant, continue to pull the drawer outwards until the inner and outer rail tracks are fully extended and the drawer is completely removed from the cabinet.



4. Pull exterior freezer drawer to fully disengage the rail assembly from the unit. Use 2 people for this task as the door is heavy and awkward to handle.

**⚠ CAUTION:** Do not hold the handle when removing or replacing the drawer. The handle may come off and it could cause personal injury.

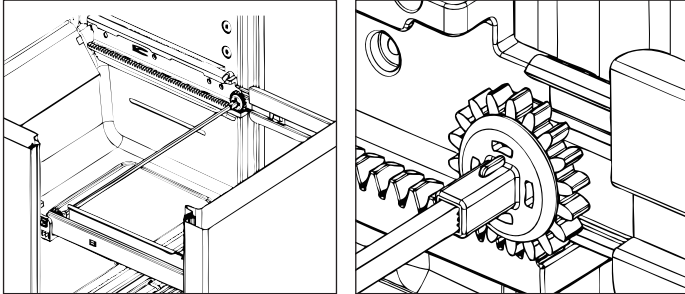


5. Place the door on a non-scratch surface.

# REFRIGERATOR INSTALLATION

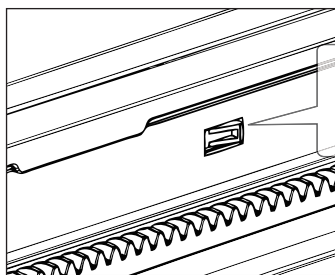
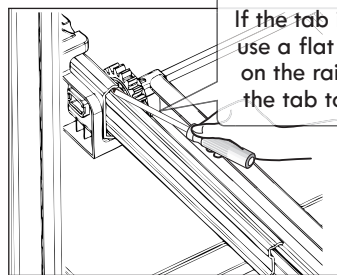
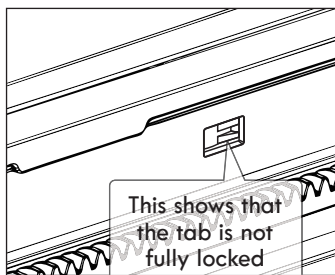
## HOW TO INSTALL THE FREEZER DRAWER

1. Retract the inner rail track fully into the outer rail track before installing freezer drawer. With the aid of an assistant, align the rail ends with the rail guides located on the sides of the cabinet. Make sure that the gear teeth are engaged to the rail guides the same amount on both sides.

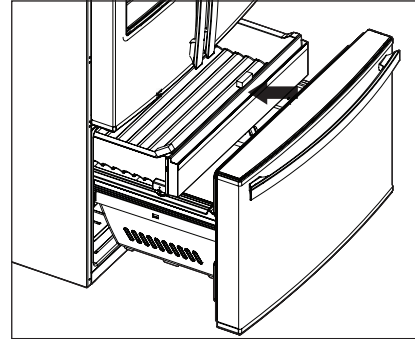


2. Fully push in and close freezer drawer to engage rails with rail support locking tab, applying a bit of pressure after the door is closed to seat the tabs to the rail.

**CAUTION:** Make sure the tabs are completely engaged to the rail or the refrigerator drawer could be pulled out of the refrigerator by the user. Fully open the freezer door to check and see if the locking tabs are fully engaged. If they are not engaged, gently push each freezer rail with a flat head screwdriver towards the freezer compartment until the locking tabs snap to the locked position.



3. Replace the lower freezer drawer basket.
4. Insert the upper freezer drawer above the lower basket.



5. Open and close the freezer drawer several times to make sure operation is smooth and seal is consistent all the way around the freezer compartment.

**CAUTION:** Do not hold the handle when removing or replacing the drawer. The handle may come off and could cause personal injury.

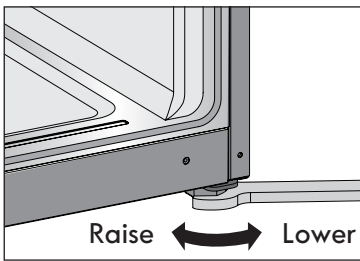
# REFRIGERATOR INSTALLATION

## REFRIGERATOR LEVELING & DOOR ADJUSTMENT

The refrigerator must be level in order to maintain optimal performance and desirable front appearance. (If the floor beneath the refrigerator is uneven, the freezer and refrigerator doors look unbalanced.)

### Leveling Refrigerator

1. Pull open the freezer compartment and remove the upper drawer and lower drawer basket to gain access.
2. Using the wrench provided, turn the leveling leg clockwise to lower and counterclockwise to raise the front corners of the refrigerator.

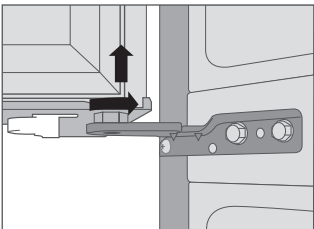


3. Install the lower drawer basket and upper drawer, then open and close the freezer compartment several times to make sure operation is smooth and without hindrance.

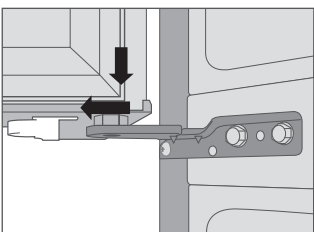
### Adjusting a refrigerator door

If the height is uneven, use the wrench provided to turn the screw nut on the middle hinge to adjust the refrigerator door.

1. To raise a refrigerator door turn the screw counterclockwise.



2. To lower a refrigerator door turn the screw clockwise.



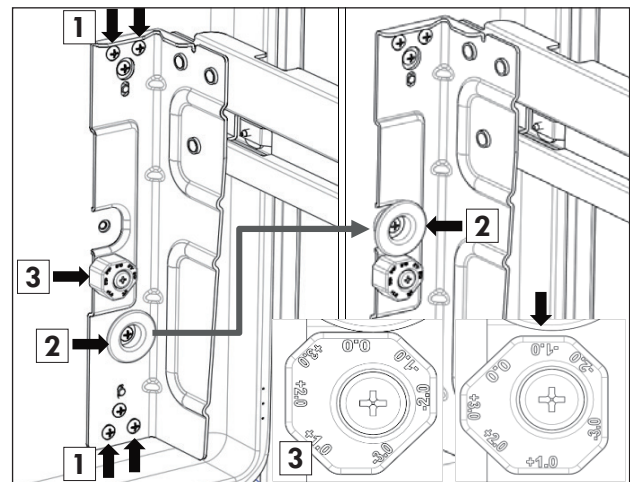
### Adjusting the freezer drawer

If the freezer drawer is lower on one side than the other, perform the steps listed below to raise that side. To access the adjustment components, first pull the drawer out to full extension. then remove the pullout drawer and the freezer basket.

1. Loosen the four screws on the rail bracket on the side where adjustment is needed.
2. Unscrew and remove Stopper from the lower position (left picture) and screw Stopper into the upper position (right picture). The stopper will serve as a fixed edge against which to turn the Position Knob to adjust the height of the rail bracket.
3. Slightly pull the Position Knob forward and firmly rotate it to a different position, then release the knob back into place. The knob surfaces push against the edge of the stopper ring to vary the height of the rail bracket. The maximum adjustment variance is approximately 1/8 inch.

**Note:** If the Stopper does not jut out far enough to make contact with the Position Knob, insert one or two flat washers beneath the Stopper

4. Retighten the four rail bracket screws.
5. Reinsert the freezer basket and pullout drawer. When inserting the basket, make sure that the tabs at the front of the basket fit into the slots on the freezer drawer rails.



# USING YOUR REFRIGERATOR

## SETTING THE CONTROLS

### Temperature Control

**NOTE:** When changing control settings, wait 24 hours before making additional adjustments. The controls are set correctly when milk or juice is as cold as you would like and when ice cream is firm. If the temperature in either compartment is too cold or too warm, change the setting one increment at a time. Wait 24 hours for the change to stabilize before adjusting again.

- The refrigerator temperature control is preset to 37 deg F (3 deg C) and the freezer control is preset to 0 deg F (-18 deg C). These are recommended temperature settings for normal use conditions.



### Freezer Compartment

Push the Freezer button and the temperature setting changes in the sequence as shown below:

>>> Sequential Temperature Change <<<



### Accela Chill Freezer function:

To activate freezer Accela Chill, press and hold the Freezer button for 3 seconds. Accela Chill LED will turn on. Push the button again to cancel.

The Accela Chill function is useful to help quickly chill the freezer compartment when needed. For example: If a large quantity of warm food is placed inside the freezer, or if loading the freezer with new groceries which may not be as cold as normal freezer temperatures.

Accela Chill will automatically cancel (Accela Chill LED will turn off) after 50 hours.

### Refrigerator Compartment

Push the Refrigerator button and the temperature setting changes in the sequence as shown below:

>>> Sequential Temperature Change <<<



### Accela Chill Refrigerator function:

To activate refrigerator Accela Chill, press and hold the Refrigerator button for 3 seconds. Accela Chill LED will turn on. Push the button again to cancel.

The Accela Chill function is useful to help quickly cool the refrigerator compartment when needed. For example: If a large quantity of warm food is placed inside the refrigerator, or if loading the refrigerator with new groceries which may not be as cold as normal refrigerator temperatures.

Accela Chill refrigerator function will automatically cancel (Accela Chill LED will turn off) after 6 hours

### Demo Mode (For Store Use Only)

The Demo Mode disables all cooling in the refrigerator and freezer sections to conserve energy while on display in a retail store.

When Demo Mode is active, the icons for the various refrigerator functions will light up in sequence across the face of the panel.

#### To activate:

1. Push and hold Control Lock button for 3 seconds to lock control panel. The Locked icon will appear on the Dispenser panel on the left refrigerator door.
2. While pressing and holding the Water Filter and Dispenser Display buttons, press the Refrigerator Temp button 5 times. Continue to press and hold the Water Filter and Dispenser Light buttons for 5 more seconds to start Demo Mode sequence and disable cooling functions.



#### To deactivate:

1. While pressing and holding the Water Filter and Dispenser Display buttons, press the Refrigerator Temp button 5 times to stop Demo Mode sequence and enable cooling functions.
2. Push and hold Control Lock button for 3 seconds to unlock control panel. The Locked icon will disappear.



# USING YOUR REFRIGERATOR

## Control Panel



### 1. Water Filter



When the Filter Change icon turns on, you need to change the water filter.  
After changing the water filter, press and hold the Water Filter button for three seconds to turn the indicator light off. You need to change the water filter approximately every six months.

### 2. Ice Maker



Press to turn the Ice maker on or off. (On is default setting.)  
Press and hold the Ice maker button for 3 seconds to turn the Accela Ice on.  
This function increases icemaking capabilities for 24 hours.

### 3. Dispenser Display



With Dispenser Display button off and one dispenser icon on (dim):  
Press button once: button reads **ICON**, three dispenser icons on (active function bright, two inactive functions dim), dispenser light off  
Press button twice: button reads **LIGHT**, one dispenser icon on (active function bright), dispenser light on  
Press button three times: button reads **ICON** and **LIGHT**; three dispenser icons on (active function bright, inactive functions dim), dispenser light on  
Press button four times: return to button light off, one dispenser icon on (dim)

### 4. Freezer Temp



Selection button for freezer compartment temperature. Press and hold the Freezer Temp button for 3 seconds to turn The Accela Chill mode on.

### 5. Refrigerator Temp



Selection button for Refrigerator Temp compartment temperature.  
Press and hold the Refrigerator Temp button for 3 seconds to turn The Accela Chill mode on.

### 6. Door Alarm



When power is connected to the refrigerator, the door alarm will always be functional. Pressing the Door Alarm button will not deactivate the alarm function. Any time that the refrigerator door or freezer drawer remains open for more than 60 seconds, the Door Alarm button LED illuminates and an alarm tone of 5 double beeps sounds to alert you of the open status. The 5 double beeps will sound every 60 seconds while the door remains open.  
Pressing the Door Alarm button or closing the door or drawer will turn the tone off. Pressing the Door Alarm button will not turn off the LED. The LED will remain lit until you close the door or drawer.

### 7. Control Lock



Press and hold the Control Lock button for 3 seconds to turn the Control Lock on.

### 8. Smart Grid



Press to turn the Smart Grid on or off.  
Press and hold the Smart Grid button for 5 seconds to turn Wi-Fi on or off.

### 9. Air Filter



When the Air Change icon turns on, you need to change the Air filter.  
After changing the Air filter, press and hold the Air Filter button for three seconds to turn the indicator light off. You need to change the Air Filter approximately every six months.

### 10. Temperature Mode Switch Function (°F ↔ °C)

If you want to convert °F to °C or vice versa:

1. Press and hold the Control Lock button for 3 seconds. The lock icon will illuminate.
2. Press and hold Freezer Temp and Refrigerator Temp buttons at same time for 5 seconds until temperature mode changes.

**NOTE:** If the lock icon is illuminated after performing this function, press and hold Lock button for 3 seconds to turn control lock OFF.



# USING YOUR REFRIGERATOR

## SMART FEATURES

### OVERVIEW

Kenmore Smart connectivity transforms your relationship with your home. You can personalize the way Kenmore Smart products operate based on your schedule and daily routines, making life easier and providing greater peace of mind. It does this by letting you link with and manage your Kenmore Smart products on one app, from a smart phone, tablet or computer.

This appliance is a connected-ready appliance, allowing you to remotely monitor and control it from your smart phone via the Kenmore® Smart app.

To get started, you will need the following:

- Kenmore Elite® Smart Appliance
- WI-FI home router connected to the internet
- Smart phone
- Kenmore Smart app

For more information about your Kenmore Elite® Smart appliance, please visit [www.Kenmore.com/smart](http://www.Kenmore.com/smart).

The Smart Grid function controls energy usage which helps you save energy during peak usage periods. You can override the SMART GRID function at any time (using the Smart Grid button or application).

Smart Grid responds to notification events from your utility company to run high energy-consuming tasks only during off-peak times when electrical demand is lower. These notification events are known as Demand Response (DR) signals. If the refrigerator receives a DR signal from the utility company, the refrigerator will turn on the GRID MODE LED on the refrigerator control panel and regulate power consumption according to the signal received. The refrigerator will respond to the signals received from the utility company as long as the appliance is connected to the internet and Smart Grid is enabled.

### DEFINITIONS

**SMART LED (blue):** 

Notifies the user that the appliance is connected to the internet.

**Smart Grid LED (white):** 

Notifies the user that the appliance is capable of receiving a signal, known as a Demand Response event, from a utility company's energy management system.

**GRID MODE LED (red):** 

Notifies the user that the appliance is reducing or delaying energy use based on the signal received from a utility company energy management system. The LED will remain illuminated during critical peak pricing (CPP) and real time pricing (RTP) or during a high demand for electricity.

### GETTING CONNECTED

You need the following devices and application to use the Smart Grid and other smart features on your refrigerator.

**Required Devices:** A wireless router, Kenmore Elite Smart Refrigerator, and a mobile device.

**Required Application:** Kenmore Smart App.

### CONNECTING THE REFRIGERATOR

Refer to the Quick Start Guide that came with your smart appliance for detailed instructions on creating a Kenmore account and setting up the appliance for connected operation from your mobile device. For additional assistance, visit <http://www.kenmore.com/smart>

**NOTE:** When successfully connected to the internet, the SMART icon LED on the unit control panel will turn ON.

# USING YOUR REFRIGERATOR

## INSTRUCTIONS FOR SMART GRID

### IMPORTANT:

You must connect your Kenmore Smart appliance to the internet and then register the appliance to your account in order to use the Smart Grid function.

Consult the Quick Start Guide supplied with the appliance for instructions on how to register your appliance using the Kenmore application (app).

The Smart Grid Button serves two purposes:

1) internet connection or disconnection, 2) enable or disable/override the appliance Demand Response capability.

**NOTE:** This appliance is a connected-ready appliance, allowing you to remotely monitor and control it from your smart phone via the Kenmore® Smart app.

To connect the refrigerator to the Internet:

Refer to the Quick Start Guide that came with your smart appliance for detailed instructions on creating a Kenmore account and setting up your appliance for connected operation from your smart phone. This Use & Care Guide contains information and instructions for operating your appliance from the appliance control panel. For additional assistance, visit <http://www.kenmore.com/smart>

**NOTE:** If no connection is made after ten minutes, the blinking SMART GRID button LED will turn off.

Smart Grid Operation:

Once connected and registered, the appliance is capable of accepting a signal from your electrical company. The signal, known as a Demand Response (DR), will adjust refrigerator operation to reduce power consumption for a period of time ranging from a few minutes up to a maximum of 4 hours. Ice making will be delayed during this time. Opening the refrigerator door may cancel certain DR signals.

The Grid Mode LED (red) will be steadily lit when the signal is in effect. To disable the signal and prevent further signal acceptance, press and release the Smart Grid button. Both the Grid Mode and Smart Grid LED will turn off. Press and release the Smart Grid button again to enable DR signal acceptance capability. The Smart Grid button LED will relight. The Grid Mode LED will light when another DR signal is sent.

# USING YOUR REFRIGERATOR

## FCC notice (for transmitter module contained in this product)

This equipment has been tested and found to comply with the limits for a Class B digital device, pursuant to Part 15 of the FCC Rules. These limits are designed to provide reasonable protection against harmful interference in a residential installation. This equipment generates, uses, and can radiate radio frequency energy and, if not installed and used in accordance with the instructions, may cause harmful interference to radio communications. However, there is no guarantee that interference will not occur in a particular installation. If this equipment does cause harmful interference to radio or television reception, which can be determined by turning the equipment off and on, the user is encouraged to try to correct the interference by one or more of the following measures:

- Reorient or relocate the receiving antenna.
- Increase the separation between the equipment and the receiver.
- Connect the equipment to an outlet on a circuit different from that to which the receiver is connected.
- Consult the dealer or an experienced radio/TV technician for help.

This device complies with part 15 of the FCC Rules. Operation is subject to the following two conditions:  
1) this device may not cause harmful interference and  
2) this device must accept any interference received, including interference that may cause undesired operation of the device.

Any changes or modifications in construction of this device which are not expressly approved by the party responsible for compliance could void the user's authority to operate the equipment.

## Open source software notice

To obtain the source code that is contained in this product under LGPL and other open source licenses, visit <http://kenmore.com/opensource>. In addition to the source code, all referred license terms, warranty disclaimers, and copyright notices are available for download.

## FCC rf radiation exposure statement

This equipment complies with FCC radiation exposure limits set forth for an uncontrolled environment. This transmitter must not be co-located or operating in conjunction with any other antenna or transmitter. This equipment should be installed and operated with a minimum distance of 20 cm (7.8 inches) between the antenna and your body. Users must follow the specific operating instructions for satisfying RF exposure compliance.

Wireless LAN Module Specifications	
Model	LCW-004
Frequency Range	2412 to 2462 MHz
Output Power (Max)	< 30 dBm

# USING YOUR REFRIGERATOR

## Pantry Control Panel




Press the Select button and the Temperature setting changes in the sequence as shown below :

>>> Sequential Temperature Change <<<



Press and hold the Lock button for 3 seconds to turn the Control Lock on.

The Lock Icon turns on.  Lock

Press and hold the Lock button for 3 seconds to turn the Control Lock off.

See page 31 for additional Pantry use information.

## Dispenser Control Panel



Touch the Water, Cube Ice or Crushed Ice Icon according to your needs.

See page 29 for additional Dispenser user information.

# USING YOUR REFRIGERATOR

## ICEMAKER

### Turning on the icemaker

Whenever the refrigerator is plugged in after being unplugged, icemaking is automatically set to On. To turn icemaking Off or On, see the instructions in Shutting icemaking off.

**NOTE:** As long as icemaking is turned On in the control panel, if an icemaker stops production because the ice bin becomes full, production will resume operation once the ice bin is cleared of ice.

### Dispenser Icemaker Alternate On/Off

The dispenser icemaker is equipped with an On/Off button in the Inner Control Panel.

You may turn the icemaker On or Off by pressing the button.

When turned On, the indicator light next to the button will illuminate.

### In case the icemaker doesn't work

- Did you wait for 24 hours after installation of the water supply line before making ice?
- Is the water line connected and the shut-off valve opened?
- Did you manually stop the icemaking function?
- Is the freezer temperature too warm? Try setting the freezer temperature lower.

### In case of power failure

In the event of a lengthy power failure, remove ice cubes in the storage bin as the ice may melt and flow down to the ice dispenser and leak out.

Place bin back in the icemaker assembly.

### Shutting icemaking off

#### Important !

If you do not intend to use any ice cubes for longer than one week (e.g. because you are going on holiday), shut off icemaking for that period to prevent ice cubes from freezing together.

1. To turn icemaker ON or OFF: Press the control panel Ice Maker button. ON or OFF illuminates in the control panel display.



2. Empty and clean the ice cube bin.  
To remove ice bin from dispenser icemaker, grasp front of ice bin and pull forward.

**NOTE:** There is a handle in front of the dispenser ice bin for ease of bin removal.

3. Return the ice cube bin into position.

**NOTE:** The ice bin should be emptied any time the icemaker is turned off.

# USING YOUR REFRIGERATOR

## ICEMAKER (continued)

### ⚠ CAUTION:

- The first ice and water dispensed may include particles or odor from the water supply line or the water tank.
- Throw away the first few batches of ice. This is also necessary if the refrigerator has not been used for a long time.
- Never store beverage cans or other items in the ice bin for the purpose of rapid cooling. Doing so may damage the icemaker or the containers may burst.
- If discolored ice is dispensed, check the water filter and water supply. If the problem continues, contact the service center. Do not use the ice or water until the problem is corrected.
- Keep children away from the dispenser. Children may play with or damage the controls.
- The ice passage may become blocked with frost if only crushed ice is used. Remove the frost that accumulates by removing the ice bin and clearing the passage with a rubber spatula. Dispensing cubed ice can also help prevent frost buildup.
- Never use thin crystal glass or crockery to collect ice. Such containers may chip or break resulting in glass fragments in the ice.
- Dispense ice into a glass before filling it with water or other beverages. Splashing may occur if ice is dispensed into a glass that already contains liquid.
- Never use a glass that is exceptionally narrow or deep. Ice may jam in the ice passage and refrigerator performance may be affected.
- Keep the glass at a proper distance from the ice outlet. A glass held too close to the outlet may prevent ice from dispensing.
- To avoid personal injury, keep hands out of the ice door and passage.
- Never remove the dispenser cover.
- If ice or water dispenses unexpectedly, turn off the water supply and contact the service center at 1-833-946-4239.

### WHEN TO SET ICEMAKER TO OFF

- When the water supply will be shut off for several hours.
- When the ice bin is removed for more than one or two minutes.
- When the refrigerator will not be used for several days.

**NOTE:** The ice bin should be emptied any time the icemaker is turned off.

### PREPARING FOR VACATION

Press the refrigerator control panel Ice Maker button to read OFF. Shut off the water supply to the refrigerator.

To turn icemaker ON or OFF: Press the control panel Ice Maker button. ON or OFF illuminates in the control panel display.

**NOTE:** The ice bin should be emptied any time the icemaker is turned off.

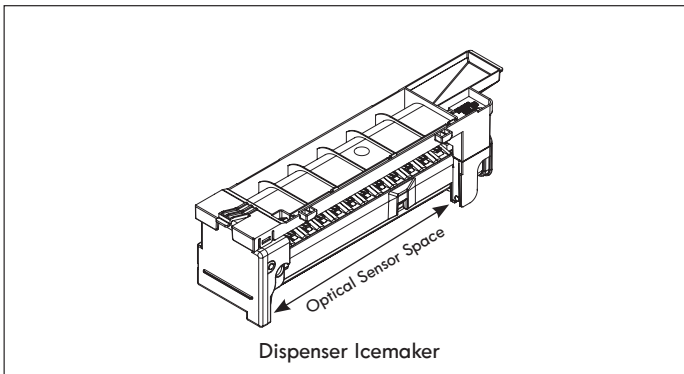
If the ambient temperature will drop below freezing, have a qualified technician drain the water supply system to prevent serious property damage due to flooding caused by ruptured water lines or connections.

## USING YOUR REFRIGERATOR

### How to use the Automatic Icemaker

The dispenser icemaker will produce 12 cubes per cycle.

- The dispenser icemaker will produce approximately 216 - 288 cubes (20 - 24 cycles a day) in a 24 hour period, depending on freezer compartment temperature, room temperature, number of door opening and other user conditions.
- It is normal for the icemaker to make banging sounds when the ice cubes are falling into the ice storage bin
- To prevent bad odor smell, regularly clean the ice cube storage bin.
- If the amount of ice in the storage bin is not sufficient, the ice may not be dispensed. Wait a day or so to make more ice.
- If the ice does not dispense easily, ensure the dispenser outlet is not blocked.
- Throw away the first few batches of ice to allow the water line to clear. Be sure nothing interferes with the level of the optical sensor space at the dispenser icemaker base.



Icemaking will stop when the dispenser ice bin fills to the level of the optical sensor, or when the freezer ice bin fills and pushes the shutoff arm all the way up.

Clear the bin of excessive ice. If you remove bin for clearing, return bin correctly into place. Icemaking will resume after the ice bin is cleared to below the optical sensor in the dispenser icemaker, or cleared to allow the shutoff arm to lower in the freezer icemaker.

It is normal for several ice cubes to be joined together. If ice is not used frequently, old ice cubes will become shrunken, cloudy and taste stale. If you won't use ice frequently, shut icemaking off.

To shut icemaker off, press the Ice Maker pad on the refrigerator main control panel so that OFF illuminates in the panel display.

# USING YOUR REFRIGERATOR

## FOOD STORAGE GUIDE

Wrap or store food in the refrigerator in airtight and moisture-proof material unless otherwise noted. This prevents food odor and taste transfer throughout the refrigerator. For dated products, check date code to ensure freshness.

Items	How to
<b>Butter or margarine</b>	▶ Keep opened butter in a covered dish or closed compartment. When storing an extra supply, wrap in freezer packaging and freeze.
<b>Cheese</b>	▶ Store in the original wrapping until you are ready to use it. Once opened, rewrap tightly in plastic wrap or aluminum foil.
<b>Milk</b>	▶ Wipe milk cartons. For best storage, place milk on interior shelf, not on door shelf.
<b>Eggs</b>	▶ Store in original carton on interior shelf, not on door shelf.
<b>Fruit</b>	▶ Do not wash or hull the fruit until it is ready to be used. Sort and keep fruit in its original container, in a crisper, or store in a completely closed paper bag on a refrigerator shelf.
<b>Leafy vegetables</b>	▶ Remove store wrapping and trim or tear off bruised and discolored areas. Wash in cold water and drain. Place in plastic bag or plastic container and store in crisper.
<b>Vegetables with skins (carrots, peppers)</b>	▶ Place in plastic bags or plastic container and store in crisper.
<b>Fish</b>	▶ Store fresh fish and shellfish in the freezer section if they are not being consumed the same day of purchase. It is recommended to consume fresh fish and shellfish the same day purchased.
<b>Leftovers</b>	▶ Cover leftovers with plastic wrap or aluminum foil, or store in plastic containers with tight lids.

## STORING FROZEN FOOD

**NOTE:** Check a freezer guide or a reliable cookbook for further information about preparing food for freezing or food storage times.

### Freezing

Your freezer will not quick-freeze a large quantity of food. Do not put more unfrozen food into the freezer than will freeze within 24 hours (no more than 2 to 3 lbs. of food per cubic foot of freezer space). Leave enough space in the freezer for air to circulate around packages. Be careful to leave enough room at the front so the door can close tightly.

Storage times will vary according to the quality and type of food, the type of packaging or wrap used (how airtight and moisture-proof) and the storage temperature. Ice crystals inside a sealed package are normal. This simply means that moisture in the food and air inside the package have condensed, creating ice crystals.

**NOTE:** Allow hot foods to cool at room temperature for 30 minutes, then package and freeze. Cooling hot foods before freezing saves energy.

### Packaging

Successful freezing depends on correct packaging. When you close and seal the package, it must not allow air or moisture in or out. If it does, you could have food odor and taste transfer throughout the refrigerator and could also dry out frozen food.

### Packaging recommendations:

- Rigid plastic containers with tight-fitting lids
  - Straight-sided canning/freezing jars
  - Heavy-duty aluminum foil
  - Plastic-coated paper
  - Non-permeable plastic wraps
  - Specified freezer-grade self-sealing plastic bags
- Follow package or container instructions for proper freezing methods.

### Do not use

- Bread wrappers
- Non-polyethylene plastic containers
- Containers without tight lids
- Wax paper or wax-coated freezer wrap
- Thin, semi-permeable wrap

**⚠ CAUTION:** Do not keep beverage cans or plastic food containers in the freezer compartment. They may break or burst if they freeze.



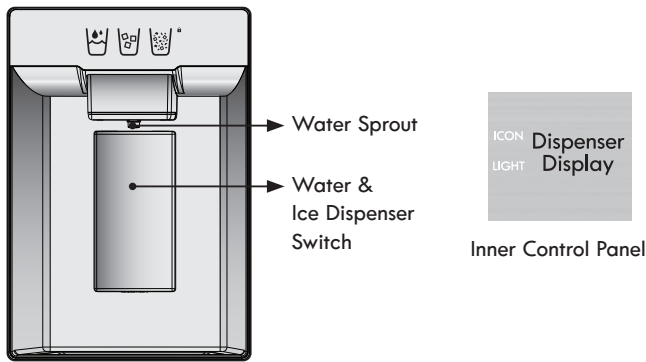
# USING YOUR REFRIGERATOR

## REFRIGERATOR SECTION

### WATER OR ICE DISPENSER

To dispense water or ice, press the Water, Cube Ice or Crushed Ice icon on the Dispenser Control panel. Push on the dispenser lever with the side of your glass. To avoid spills when dispensing water, make sure to place the brim of the glass close beneath the water spout, which is located to the back of the dispenser.

**NOTE:** The dispenser is equipped with a light that turns on when the dispenser lever is pressed, and the Dispenser Light Icon is turned on.



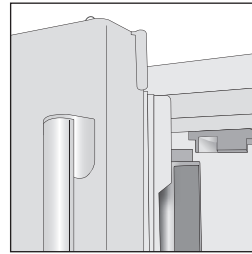
**NOTE:** Some ice may drop outside of cup during Ice dispensing. Slowly remove glass from dispenser Lever before full to help prevent ice spillage. A few uncrushed ice cubes may mix in with Crushed Ice when you dispense Crushed Ice.

**⚠ WARNING:** Do not put your fingers up the ice chute opening. Doing so can result in severe injury.

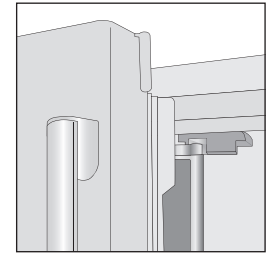
**⚠ CAUTION:** Do not dispense ice into fine china or crystal glasses. China or crystal can break.

### Foldaway door bar (mullion bar)

- When closing the left refrigerator door, the mullion bar folds behind the right refrigerator door, forming a seal between the refrigerator doors.
- When opening the left refrigerator door, the mullion bar folds back to the left door automatically.



Opening: Mullion bar folds back



Closing: Mullion bar folds to right

- The mullion bar may become damaged upon closing if it has been extended to the right while the door left door is open.

**⚠ CAUTION:** Before closing the left refrigerator door, make sure the mullion bar is folded back to the left door position or product damage may result.

# USING YOUR REFRIGERATOR

## REFRIGERATOR SHELVES

The shelves in your refrigerator are adjustable to meet your individual storage needs. Your model may have glass or wire shelves.

Adjusting the shelves to fit different heights of items will make finding the exact item you want easier. Doing so will also reduce the amount of time the refrigerator door is open which will save energy.

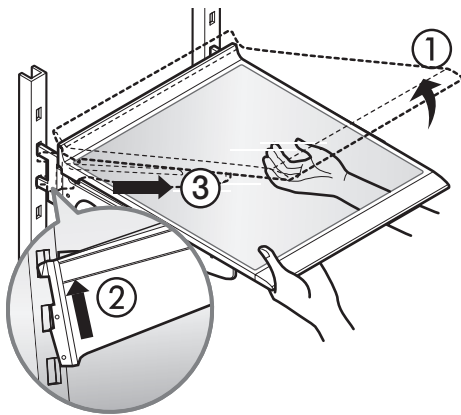
**IMPORTANT:** Do not clean glass shelves with warm water while they are cold. Shelves may break if exposed to sudden temperature changes or impact.

**⚠ CAUTION:** Glass shelves are heavy. Use special care when removing them.

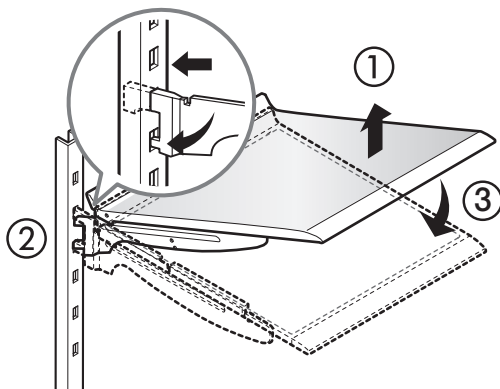
### Adjusting Shelves (Cantilever)

Remove shelves from the shipping position and replace shelves in the position you want.

**To remove a shelf:** Lift up on front of shelf with one hand and with other hand push up on back of shelf to release attachment hooks from attachment slots. Pull the shelf out.



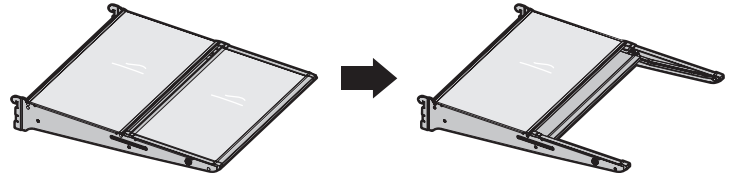
**To reinstall a shelf:** With front of shelf angled slightly up, engage hooks on back of shelf into attachment slots, and then lower front of shelf into place.



**⚠ CAUTION:** Make sure that shelves are level from one side to the other. Failure to do so may result in the shelf falling or spilling food.

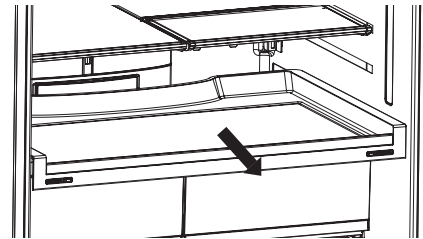
## Slide-in Glass Shelf

To create space for tall item storage, grasp edge of front half of shelf and slide down and under the back half of shelf.



## Wide Slide-out Shelf

The wide slide-out shelf allows you to easily retrieve items stored on it at the back of the refrigerator compartment. Both refrigerator doors must be open to slide the shelf out. The humidity controls for the crisper drawers are located on each side of the shelf.

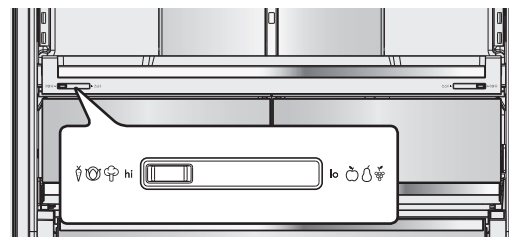


## HUMIDITY CONTROLLED CRISPER

The crispers provide fresher tasting fruit and vegetables by letting you easily control humidity inside the drawer.

You can control the amount of humidity in the moisture sealed crispers by adjusting the control to any setting between **VEGETABLES** and **FRUIT**. The control for each drawer is located just above the drawer on the Wide Slide out Shelf.

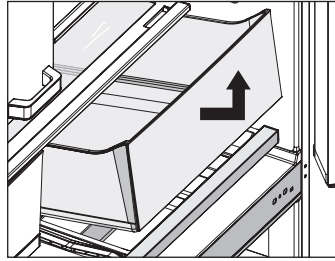
- Slide the Humidity Control toward “hi” to keep moist air in crisper for best storage of fresh, leafy vegetables.
- Slide the Humidity Control toward “lo” to release moist air from crisper for best storage of fruit.



# USING YOUR REFRIGERATOR

## REMOVING THE HUMIDITY CONTROLLED CRISPER

1. To remove, pull the drawer out to full extension.
2. Lift the front of the crisper up, then pull it straight out.



3. To install, slightly tilt up the front, insert the drawer into the frame and push it back into place.

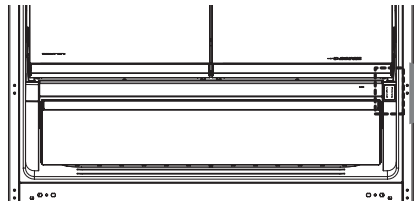
## TEMPERATURE CONTROLLED PANTRY DRAWER

The Temperature Controlled Pantry Drawer provides storage space with a variable temperature control that can keep the compartment colder than the refrigerator section. This drawer can be used for large party trays, deli items, and beverages. (This drawer should not be used for vegetables that require high humidity).

Press Select button to choose between Meat & Seafood, Cold Drinks or Deli Snacks.

Press Select button to choose between Meat & Seafood, Cold Drinks or Deli Snacks.

To lock your selection, press and hold the Lock button for 3 seconds. To unlock, press and hold for 3 seconds again.



### To remove the pantry drawer for cleaning

1. Open both refrigerator doors all the way.
2. Pull the pantry drawer out to its full extension.
3. Tilt front of drawer slightly up and pull drawer out of its compartment.
4. To replace, tilt front of drawer slightly up and slide back into place. When inserting drawer, be sure that the rollers at the back of the drawer fit over the rollers at the front of the compartment.

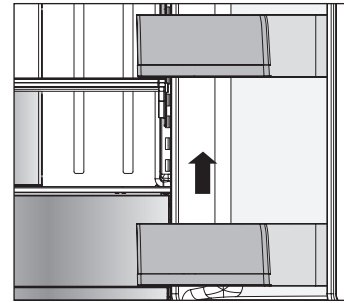
## DOOR BIN

The door bins are removable for easy cleaning and adjustment.

1. To remove the bin, simply lift the bin up and pull straight out.
2. To replace the bin, slide it in above the desired support and push down until it snaps into place.

**NOTE:** Some bins may vary in appearance and will only fit in one location.

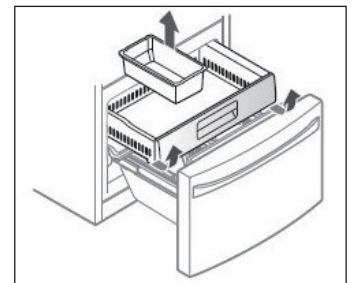
- CAUTION:** Do not overfill or pack items too tightly into door bins. Doing so may cause damage to the bin or personal injury if items are removed with excessive force.



## FREEZER SECTION

### PULLOUT FREEZER DRAWER

1. To remove, pull the freezer drawer out to full extension. Lift out the ice bin if present. Tilt the front of the pullout freezer drawer up and then lift drawer out.



- CAUTION:** Pinch hazard! Keep hands and feet clear of the bottom of the freezer drawer when opening and closing.

2. To replace, hold pullout freezer drawer with back angled down. Insert the back rollers over the front edge of the runners built into the sides of the freezer cabinet. Slide the drawer back and into place. Fit ice bin back into pullout freezer drawer.

- WARNING:** When the pullout drawer is removed, there is enough room in the lower freezer drawer for a child or pet to crawl inside. To prevent accidental child and pet entrapment or suffocation risk, DO NOT allow children or pets to touch or go near the lower freezer drawer.

# CONNECTING THE WATER LINE

## BEFORE YOU BEGIN

This water line installation is not covered by the refrigerator warranty. Follow these instructions carefully to minimize the risk of expensive water damage.

Water hammer (water banging in the pipes) in house plumbing can cause damage to refrigerator parts and can lead to water leakage or flooding. Call a qualified plumber to correct water hammer.

**⚠ CAUTION:** To prevent burns and product damage, only connect the refrigerator water line to a cold water supply.

**IMPORTANT:** If you use your refrigerator before connecting the water line, make sure the icemaker is turned OFF at the control panel.

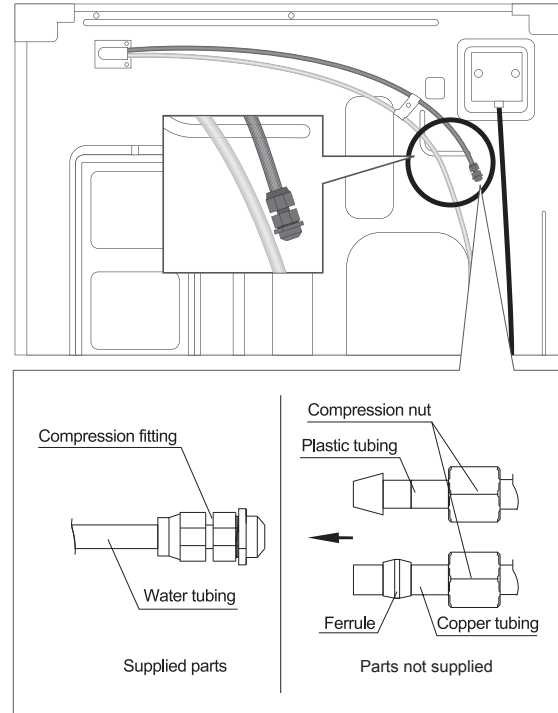
**⚠ CAUTION:** Do not install the icemaker tubing in areas where temperatures fall below freezing.

## WATER PRESSURE

The water pressure must be from 30 to 125 psi or 207-862 kPa or 2.1-8.8 kgf/cm<sup>2</sup>. If the refrigerator is installed in an area with low water pressure "below 30 psi", you can install a booster pump to compensate for the low pressure.

## WATER SUPPLY KIT

Connecting the water line to the refrigerator.



(Parts not supplied are available at most hardware departments or stores.)

1. Connect water line to the compression fitting.
  - If you are using copper tubing (not supplied), slip the compression nut (not supplied) and ferrule (not supplied) on copper tubing.
  - If you are using plastic tubing (not supplied), insert the molded ending of the plastic tubing into the compression fitting.
2. Tighten the compression nut onto the compression fitting.
3. Turn the water on and check for any leakage.

## ⚠ WARNING

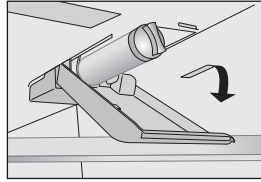
To reduce the risk associated with ingestion of contaminants: Do not use with water that is microbiologically unsafe or of unknown quality without adequate disinfection before and after the system. Systems certified for cyst reduction may be used on disinfected water that may contain filterable cysts. EPA Establishment Number 10350-MN-005

# WATER FILTER

## Installation \*

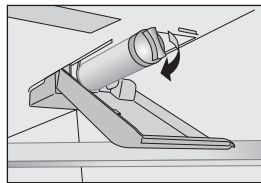
1. Turn off the water supply to the refrigerator. Dispense water for 3 seconds to prevent water drops from falling while installing filter.

2. The water filter is located in the top of the refrigerator compartment. Pull the water filter cover toward you and down.



3. Remove the locking cap by turning 1/2 counterclockwise. Save locking cap for possible future use. Always install locking cap if no filter is in place.

4. Insert water filter and rotate clockwise 1/2 turn to secure in place. Raise the water filter cover and slide back into place. Before proceeding, use a cloth to wipe up any water droplets that may have fallen.

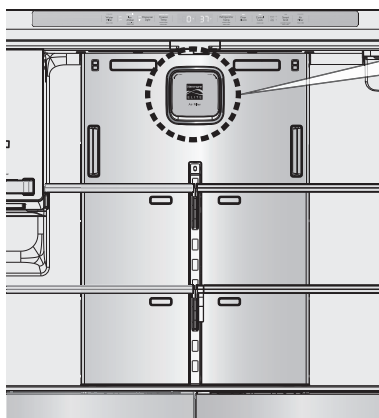


5. Dispense water over the course of 5 minutes in cycles of 30 seconds ON and 60 seconds OFF. Do not dispense water continuously for 5 minutes.

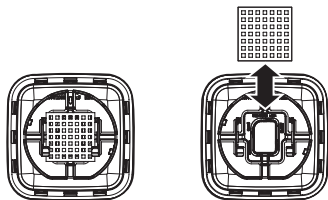
**NOTE :** Perform this step each time a new water filter is installed.

\* One filter is supplied with the refrigerator.  
A replacement filter can be purchased by calling 1-844-553-6667.

## Air Filter



1. Rotate filter cover counterclockwise about 15 degrees to release from underlying duct cover. Pull filter cover toward you to remove.
2. Slide used filter up out of back of filter cover. Slide new filter down into back of filter cover.
3. Align filter cover at about a 15 degree angle to duct cover. Push filter cover down onto duct cover and rotate clockwise to secure.
4. After changing the water filter or air filter, be sure to press the Water Filter or Air Filter button for 3 seconds turn indicator light off.



**NOTE:** Air Filter should be changed every 6 months. Replacing the water filter at same time as air filter is recommended.

## Information concerning the water filter

- After use, the water system is subject to low pressure. Proceed with caution when removing the filter. Dispense water 1-3 seconds before water filter change to prevent water drops from falling.
- Flush the water system if the appliance has not been in use for a long period of time, or if the ice/water has an unpleasant taste or smell. To do this, dispense water through the water dispenser for several minutes. If the unpleasant taste or smell remains, replace the filter.
- To protect from frost, remove the filter cartridge if you expect the temperature to drop below freezing.
- If pressure surges could occur in the water pipe, do not install the water filter without a suitable surge eliminator. Contact an installation expert if you are not sure whether pressure surges could occur in the water pipe.
- After installing a new filter : Discard any ice produced in the first 24 hours after switching on.
- If no ice has been removed for a long period of time, empty the ice cube bin and discard any ice produced over the next 24 hours.

## ! WARNING

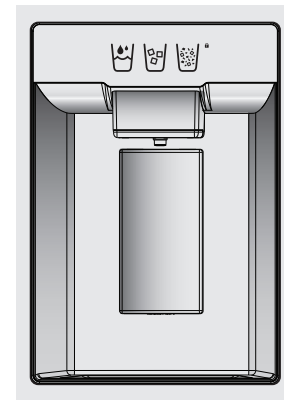
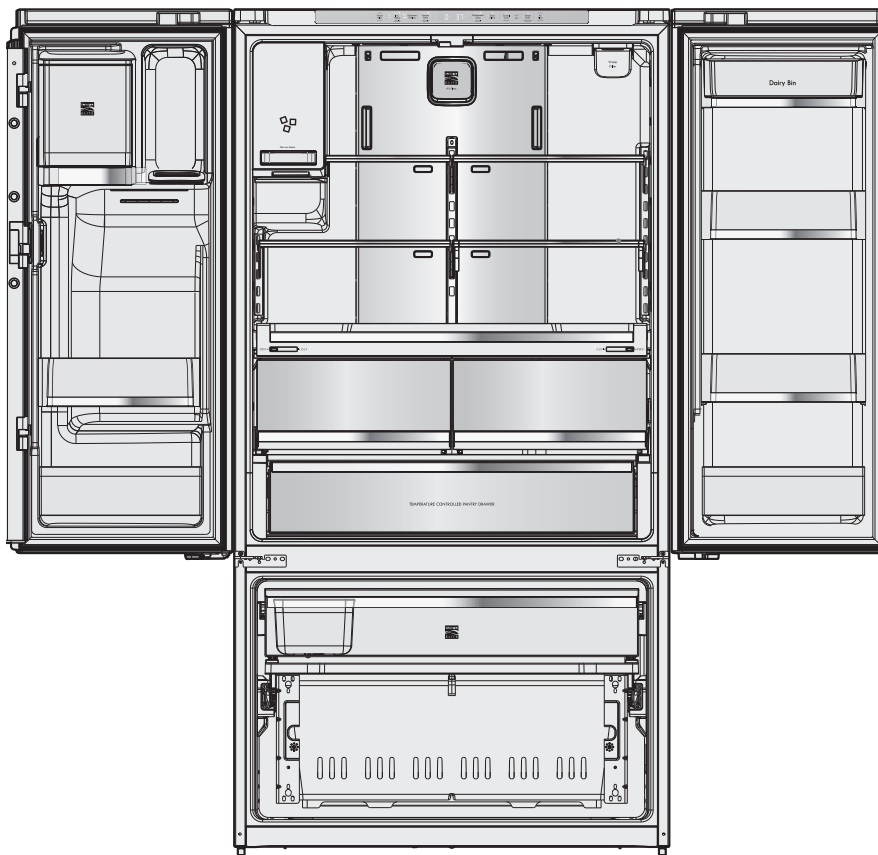
To reduce the risk associated with ingestion of contaminants: Do not use with water that is microbiologically unsafe or of unknown quality without adequate disinfection before and after the system. Systems certified for cyst reduction may be used on disinfected water that may contain filterable cysts. EPA Establishment Number 10350-MN-005

## ! CAUTION

To reduce the risk associated with property damage due to water leakage:

- **Read and follow** the Water Filter instructions before installation and use of this system.
- Installation and use **MUST** comply with all state and local plumbing codes.
- **Do not** install if water pressure exceeds 125 psi (862 kPa). Contact a plumbing professional if you are uncertain of how to check your water pressure.
- **Do not** install where water hammer conditions may occur. If water hammer conditions exist, you must install a water hammer arrester. Contact a plumbing professional if you are uncertain of how to check for this condition.
- **Do not** install on hot water supply lines. The maximum operating water temperature of this water filter system is 100°F (38°C).
- **Protect water filter from freezing.** Do not operate refrigerator in ambient conditions below 55°F (12.7°C). Drain water filter when storing unit in temperatures below 40°F (4.4°C).
- The disposable water filter must be replaced every six months, at the rated capacity, or if a noticeable reduction in flow rate occurs.

# CARE AND CLEANING

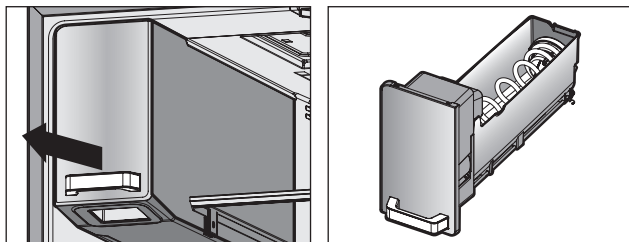


## 1. Water Dispenser

- Clean the water collecting tray with a sponge or absorbent cloth.

## 2. Ice Storage Bin

- Removing: Pull out and remove the ice cube bin. Make sure the refrigerator door is open completely before pulling out the ice cube bin.
- Replacing: Push the ice cube bin all the way back onto the supports until it locks into position. If the bin cannot be pushed all the way back, rotate the ice auger a quarter turn and insert again. Make sure the refrigerator door is open completely before replacing the ice cube bin.

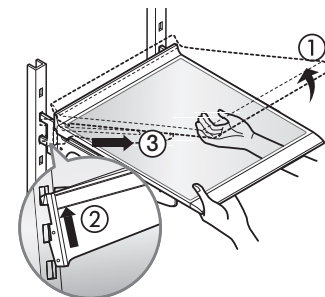


## 3. Freezer & Refrigerator Bins

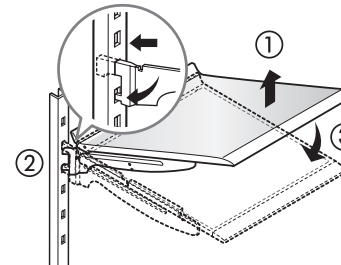
- Hold both ends and pull up.

## 4. Refrigerator Shelves

To remove a shelf: Lift up on front of shelf with one hand and with other hand push up on back of shelf to release attachment hooks from attachment slots. Pull the shelf out.



To reinstall a shelf: With front of shelf angled slightly up, engage hooks on back of shelf into attachment slots, and then lower front of shelf into place.



**CAUTION:** Make sure that shelves are level from one side to the other. Failure to do so may result in the shelf falling or spilling food.



## CARE AND CLEANING

### LIGHT BULB REPLACEMENT

#### **WARNING**

##### **Electrical Shock Hazard**

Before replacing a Compartment Lamp, either unplug the refrigerator or turn off power at the circuit breaker or fuse box.

**NOTE:** The refrigerator and freezer compartment lights have LED interior lighting, and service should be performed by a qualified technician.

### POWER INTERRUPTIONS

1. If the power will be out for 24 hours or less, keep all refrigerator doors closed to help foods stay cold and frozen.
2. If the power will be out for more than 24 hours, remove all frozen food and store it in a frozen food locker.

### WHEN YOU GO ON VACATION

**If you choose to leave the refrigerator on while you are away,** follow these steps to prepare your refrigerator before you leave.

1. Use up any perishables and freeze other items.
2. Turn off the icemaker and empty the ice bin.

**If you choose to turn the refrigerator off before you leave,** follow these steps.

1. Remove all food from the refrigerator.
2. Clean the refrigerator, wipe it and dry well.
3. Tape rubber or wood blocks to the tops of both doors to prop them open far enough for air to get in. This stops odor and mold from building up.

### WHEN YOU MOVE

When you are moving your refrigerator to a new home, follow these steps to prepare it for the move.

1. Remove all food from the refrigerator and pack all frozen food in dry ice.
2. Unplug the refrigerator.
3. Clean, wipe and dry thoroughly.
4. Take out all removable parts, wrap them well and tape them together so they do not shift and rattle during the move. Refer to the **Using your Refrigerator** section for removing instructions.
5. Tape the doors shut and tape the power cord to the refrigerator cabinet.

When you get to your new home, put everything back and refer to the **Refrigerator Installation** section for preparation instructions.

# TROUBLESHOOTING GUIDE

## COOLING

Problem	Possible Causes	Solutions
Refrigerator and Freezer section are not cooling.	Power cord unplugged.	Plug into a known properly grounded 3-prong outlet.
	Refrigerator is set to demo mode.	Demo Mode allows the lights and control display to work normally while disabling cooling to save energy while on the showroom floor. Refer to the Setting the Controls section for instructions on how to disable Demo Mode.
	Refrigerator is in the defrost cycle.	During the defrost cycle, the temperature of each compartment may raise slightly. Wait 30 minutes and confirm the proper temperature has been restored once the defrost cycle has completed.
	Refrigerator was recently installed.	It may take up to 24 hours for each compartment to reach the desired temperature.
	Refrigerator was recently relocated.	If the refrigerator was stored for a long period of time or moved on its side, it is necessary for the refrigerator to stand upright for 24 hours before connecting it to power.
Cooling System runs too much.	Refrigerator is replacing an older model.	Modern refrigerators require more operating time but use less energy due to more efficient technology.
	Refrigerator was recently plugged in or power restored.	The refrigerator will take up to 24 hours to cool completely.
	Door opened often or a large amount of food / hot food was added.	Adding food and opening the door warms the refrigerator, requiring the compressor to run longer in order to cool the refrigerator back down. In order to conserve energy, try to get everything you need out of the refrigerator at once, keep food organized so it is easy to find, and close the door as soon as the food is removed. (Refer to the Food Storage Guide.)
	Doors are not closed completely.	Firmly push the doors shut. If they will not shut all the way, see the Doors will not close completely or pop open section in Parts & Features Troubleshooting.
	Refrigerator is installed in a hot location.	The compressor will run longer under warm conditions. At normal room temperatures (70°F) expect your compressor to run about 40% to 80% of the time. Under warmer conditions, expect it to run even more often. The refrigerator should not be operated above 110°F.
	Condenser / back cover is clogged.	Use a vacuum cleaner with an attachment to clean the condenser cover and vents. Do not remove the panel covering the condenser coil area.



# TROUBLESHOOTING GUIDE

## COOLING

Problem	Possible Causes	Solutions
Refrigerator or Freezer section is too warm.	Refrigerator was recently installed.	It may take up to 24 hours for each compartment to reach the desired temperature.
	Doors are opened often or for long periods of time.	When the doors are opened often or for long periods of time, warm, humid air enters the compartment. This raises the temperature and moisture level within the compartment. To lessen the effect, reduce the frequency and duration of door openings.
	Unit is installed in a hot location.	The refrigerator should not be operated in temperatures above 110F.
	A large amount of food or hot food was added to either compartment.	Adding food warms the compartment requiring the cooling system to run. Allowing hot food to cool to room temperature before putting it in the refrigerator will reduce this effect.
	Doors not closed correctly.	See the Doors will not close correctly or pop open section in Parts & Features Troubleshooting
	Temperature control is not set correctly.	If the temperature is too warm, adjust the control one increment at a time and wait for the temperature to stabilize. Refer to the Setting the Controls section for more information.
	Defrost cycle has recently completed.	During the defrost cycle, the temperature of each compartment may raise slightly and condensation may form on the back wall. Wait 30 minutes and confirm the proper temperature has been restored once the defrost cycle has completed.
Interior moisture buildup.	Doors are opened often or for long periods of time.	When the doors are opened often or for long periods of time, warm, humid air enters the compartment. This raises the temperature and moisture level within the compartment. To lessen the effect, reduce the frequency and duration of door openings.
	Doors not closed correctly.	See the Doors will not close correctly section in the Troubleshooting section.
	Weather is humid.	Humid weather allows additional moisture to enter the compartments when the doors are opened leading to condensation or frost. Maintaining a reasonable level of humidity in the home will help to control the amount of moisture that can enter the compartments.
	Defrost cycle recently completed.	During the defrost cycle, the temperature of each compartment may raise slightly and condensation may form on the back wall. Wait 30 minutes and confirm that the proper temperature has been restored once the defrost cycle has completed.
	Food is not packaged correctly.	Food stored uncovered or unwrapped, and damp containers can lead to moisture accumulation within each compartment. Wipe all containers dry and store food in sealed packaging to prevent condensation and frost.

# TROUBLESHOOTING GUIDE

## COOLING/ICE & WATER

Problem	Possible Causes	Solutions
Food is freezing in the refrigerator compartment.	Food with high water content was placed near an air vent.	Rearrange items with high water content away from air vents.
	Refrigerator temperature control is set incorrectly.	If the temperature is too cold, adjust the control one increment at a time and wait for the temperature to stabilize. Refer to the Setting the Controls section for more information.
	Refrigerator is installed in a cold location.	When the refrigerator is operated in temperature below 41°F (5°C), food can freeze in the refrigerator compartment. The refrigerator should not be operated in temperature below 55°F (13°C).
Frost or ice crystals form on frozen food (outside of package).	Door is opened frequently or for long periods of time.	When the doors are opened often or for long periods of time, warm, humid air enters the compartment. This raises the temperature and moisture level within the compartment. Increased moisture will lead to frost and condensation. To lessen the effect, reduce the frequency and duration of door openings.
	Door is not closing properly.	Refer to the Doors will not close correctly or pop open section in the Troubleshooting section.
Refrigerator or Freezer section is too cold.	Incorrect temperature control settings.	If the temperature is too cold, adjust the control one increment at a time and wait for the temperature to stabilize. Refer to the Setting the Controls section for more information.
Frost or ice crystals on frozen food (inside of sealed package).	Condensation from food with a high water content has frozen inside of the food package.	This is normal for food items with a high water content.
	Food has been left in the freezer for a long period of time.	Do not store food items with high water content in the freezer for a long period of time.
Icemaker is not making enough ice.	Demand exceeds ice storage capacity.	The dispenser icemaker will produce approximately 216-288 cubes in a 24 hour period.
	House water supply is not connected, valve is not turned on fully, or valve is clogged.	Connect the refrigerator to a cold water supply with adequate pressure and turn the water shutoff valve fully open. If the problem persists, it may be necessary to contact a plumber.
	Water filter has been exhausted.	It is recommended that you replace the water filter: Approximately every six months. <ul style="list-style-type: none"> <li>• When the water filter indicator turns on.</li> <li>• When the water dispenser output decreases.</li> <li>• When the ice cubes are smaller than normal.</li> </ul>
	Low house water supply pressure.	<b>NOTE:</b> The water pressure must be from 30 to 125 psi or 207-862 kPa or 2.1-8.8 kgf/cm <sup>2</sup> . If the refrigerator is installed in an area with low water pressure below 30 psi, you can install a booster pump to compensate for the low pressure. If the problem persists, it may be necessary to contact a plumber or install a booster pump to compensate for the low pressure.
	Reverse Osmosis filtration system is used.	Reverse osmosis filtration systems can reduce the water pressure below the minimum amount and result in icemaker issues. (Refer to Water Pressure section.)

# TROUBLESHOOTING GUIDE

## ICE & WATER

Problem	Possible Causes	Solutions
Icemaker is not making enough ice (continued).	Tubing connecting refrigerator to house supply valve is kinked.	The tubing can kink when the refrigerator is moved during installation or cleaning resulting in reduced water flow. Straighten or repair the water supply line and arrange it to prevent future kinks.
	Doors are opened often or for long periods of time.	If the doors of the unit are opened often, ambient air will warm the refrigerator which will prevent the unit from maintaining the set temperature. Lowering the refrigerator temperature can help, as well as not opening the doors as frequently.
	Doors are not closed completely.	If the doors are not properly closed, ice production will be affected. See the Doors will not close completely or pop open section in Parts & Features Troubleshooting for more information.
	The temperature setting for the freezer is too warm.	The recommended temperature for the freezer compartment for normal ice production is 0°F. If the freezer temperature is warmer, ice production will be affected.
Dispensing water slowly.	Water filter has been exhausted.	It is recommended that you replace the water filter: Approximately every six months. <ul style="list-style-type: none"> <li>• When the water filter indicator turns on.</li> <li>• When the water dispenser output decreases.</li> <li>• When the ice cubes are smaller than normal.</li> </ul>
	Low house water supply pressure.	<b>NOTE:</b> The water pressure must be from 30 to 125 psi or 207-862 kPa or 2.1-8.8 kgf/cm <sup>2</sup> . If the refrigerator is installed in an area with low water pressure below 30 psi, you can install a booster pump to compensate for the low pressure.  If the problem persists, it may be necessary to contact a plumber or install a booster pump to compensate for the low pressure.
Not dispensing ice.	Doors are not closed completely.	Ice will not dispense if any of the refrigerator doors are left open.
	Infrequent use of the dispenser.	Infrequent use of the ice dispenser will cause the cubes to stick together over time, which will prevent them from properly dispensing. Check the ice bin for ice cubes clumping/sticking together. If they are, break up the ice cubes to allow for proper operation.
	The delivery chute is clogged with frost or ice fragments.	Eliminate the frost or ice fragments by removing the ice bin and clearing the chute with a plastic utensil. Dispensing cubed ice can also help prevent frost or ice fragment buildup.
	The dispenser display is locked.	Press and hold the Lock button for three seconds to unlock the control panel and dispenser.
	Ice bin is empty.	It may take up to 24 hours for each compartment to reach the desired temperature and for the icemaker to begin making ice. Make sure that the shutoff (arm/sensor) is not obstructed.  Once the ice supply in the bin has been completely exhausted, it may take up to 90 minutes before additional ice is available, and approximately 24 hours to completely refill the bin.

# TROUBLESHOOTING GUIDE

## ICE & WATER

Problem	Possible Causes	Solutions
Icemaker is not making ice.	Refrigerator was recently installed or icemaker recently connected.	It may take up to 24 hours for each compartment to reach the desired temperature and for the icemaker to begin making ice.
	Icemaker not turned on.	Locate the icemaker on/of button and confirm that it is turned ON.
	The refrigerator is not connected to a water supply or the supply shutoff valve is not turned on.	Connect refrigerator to the water supply and turn the water shutoff valve fully open.
	Icemaker shutoff 1. Dispenser icemaker optical sensor is blocked by ice. 2. Freezer icemaker shutoff arm is pushed all the way up by ice.	1. Remove enough ice from bin so that the optical sensing space is not blocked. 2. Remove enough ice from bin to allow shutoff arm to lower from shutoff position.
Not dispensing water.	New installation or water line recently connected.	Dispense 2.5 gallons of water (flush for approximately 5 minutes) to remove trapped air and contaminants from the system. Do not dispense the entire 2.5 gallon amount continuously. Depress and release the dispenser pad for cycles of 30 seconds ON and 60 seconds OFF.
	The dispenser panel is locked.	Press and hold the Lock button for three seconds to unlock the control panel and dispenser.
	The dispenser is not set for water dispensing.	On the control panel press the Water button.
	Refrigerator or freezer doors are not closed properly.	Water will not dispense if any of the refrigerator doors are left open.
	Water filter has been recently removed or replaced.	After the water filter is replaced, dispense 2.5 gallons of water (flush for approximately 5 minutes) to remove trapped air and contaminants from the system. Do not dispense the entire 2.5 gallon amount continuously. Depress and release the dispenser pad for cycles of 30 seconds ON and 60 seconds OFF.
	Tubing connecting refrigerator to house supply valve is kinked.	The tubing can kink when the refrigerator is moved during installation or cleaning resulting in reduced water flow. Straighten or repair the water supply line and arrange it to prevent future kinks.
	The house water supply is not connected, the valve is not turned on fully, or the valve is clogged.	Connect refrigerator to the water supply and turn the water shutoff valve fully open.  If the problem persists, it may be necessary to contact a plumber.

# TROUBLESHOOTING GUIDE

## ICE & WATER

Problem	Possible Causes	Solutions
Ice has bad taste or odor.	Water supply contains minerals such as sulfur.	A water filter may need to be installed to eliminate taste and odor problems. NOTE: In some cases, a filter may not help. It may not be possible to remove all minerals / odor / taste in all water supplies.
	Icemaker was recently installed.	Discard the first few batches of ice to avoid discolored or bad tasting ice.
	Ice has been stored for too long.	Ice that has been stored for too long will shrink, become cloudy, and may develop a stale taste. Throw away old ice and make a new supply.
	The food has not been stored properly in either compartment.	Rewrap the food. Odors may migrate to the ice if food is not wrapped properly.
	The interior of the refrigerator needs to be cleaned.	See the Care and Cleaning section for more information.
	The ice storage bin needs to be cleaned.	Empty and wash the bin (discard old cubes). Make sure that the bin is completely dry before reinstalling it.
Dispensing warm water.	Refrigerator was recently installed.	Allow 24 hours after installation for the water storage tank to cool completely.
	The water dispenser has been used recently and the storage tank was exhausted.	Depending on your specific model, the water storage capacity will range from approximately 20 to 30 oz.
	Dispenser has not been used for several hours.	If the dispenser has not been used for several hours, the first glass dispensed may be warm. Discard the first 10 oz.
	Refrigerator is connected to the hot water supply.	Make sure that the refrigerator is connected to a cold water pipe.  ⚠ WARNING: Connecting the refrigerator to a hot water line may damage the icemaker.
Water has bad taste or odor.	Water supply contains minerals such as sulfur.	A water filter may need to be installed to eliminate taste and odor problems.
	Water filter has been exhausted.	It is recommended that you replace the water filter:  Approximately every 6 months. • When the water filter indicator turns on. • When the water dispenser output decreases. • When the ice cubes are smaller than normal.
	Refrigerator was recently installed.	Dispense 2.5 gallons of water (flush for approximately 5 minutes) to remove trapped air and contaminants from the system. Do not dispense the entire 2.5 gallon amount continuously. Depress and release the dispenser pad for cycles of 30 seconds ON and 60 seconds OFF.

# TROUBLESHOOTING GUIDE

## NOISE

Problem	Possible Causes	Solutions
Clicking	The defrost control will click when the automatic defrost cycle begins and ends. The thermostat control (or refrigerator control on some models) will also click when cycling on and off.	Normal Operation
Rattling	Rattling noises may come from the flow of refrigerant, the water line on the back of the unit, or items stored on top of or around the refrigerator.	Normal Operation
	Refrigerator is not resting solidly on the floor.	Floor is weak or uneven or leveling legs need to be adjusted. See the Door Alignment section.
	Refrigerator with linear compressor was jarred while running.	Normal Operation
Whooshing	Evaporator fan motor is circulating air through the refrigerator and freezer compartments.	Normal Operation
	Air is being forced over the condenser by the condenser fan.	Normal Operation
Gurgling	Refrigerant flowing through the cooling system.	Normal Operation
Popping	Contraction and expansion of the inside walls due to changes in temperature.	Normal Operation
Sizzling	Water dripping on the defrost heater during a defrost cycle.	Normal Operation
Vibrating	If the side or back of the refrigerator is touching a cabinet or wall, some of the normal vibrations may make an audible sound.	To eliminate the noise, make sure that the sides and back cannot vibrate against any wall or cabinet.
Dripping	Water running into the drain pan during the defrost cycle.	Normal Operation
Pulsating or High-Pitched Sound	Your refrigerator is designed to run more efficiently to keep your food items at the desired temperature. The high efficiency compressor may cause your new refrigerator to run longer than your old one, but it is still more energy efficient than previous models. While the refrigerator is running, it is normal to hear a pulsating or highpitched sound.	Normal Operation

# TROUBLESHOOTING GUIDE

## PARTS & FEATURES

Problem	Possible Causes	Solutions
Doors will not close correctly or pop open.	Food packages are blocking the door open.	Rearrange food containers to clear the door and door shelves.
	Ice bin, crisper cover, pans, shelves, door bins, or baskets are out of position.	Push bins all the way in and put crisper cover, pans, shelves and baskets into their correct positions. See the Using Your Refrigerator section for more information.
	The doors were removed during product installation and not properly replaced.	Remove and replace the doors according to the Removing and Replacing Refrigerator Handles and Doors section.
	Refrigerator is not leveled properly.	See Door Alignment in the Refrigeration Installation section to level refrigerator.
Doors are difficult to open.	The gaskets are dirty or sticky.	Clean the gaskets and the surfaces that they touch. Rub a thin coat of appliance polish or kitchen wax on the gaskets after cleaning.
	Door was recently closed.	When you open the door, warmer air enters the refrigerator. As the warm air cools, it can create a vacuum. If the door is hard to open, wait one minute to allow the air pressure to equalize, then see if it opens more easily.
Refrigerator wobbles or seems unstable.	Leveling legs are not adjusted properly.	Refer to the Leveling and Door Alignment section.
	Floor is not level.	It may be necessary to add shims under the leveling legs or rollers to complete installation.
Lights do not work.	LED interior lighting failure.	The refrigerator compartment lamp is LED interior lighting, and service should be performed by a qualified technician. Refer to the Light Bulb Replacement section.
The interior of the refrigerator is covered with dust or soot.	The refrigerator is located near a fire source, such as a fireplace, chimney or candle.	Make sure that the refrigerator is not located near a fire source, such as a fireplace, chimney or candle.
The refrigerator compartment has an unpleasant odor.	<ol style="list-style-type: none"> <li>1. Food may be producing unpleasant odor.</li> <li>2. The Air Filter may need to be replaced.</li> </ol>	<ol style="list-style-type: none"> <li>1. Remove odor producing food. Place box of baking soda in refrigerator compartment to absorb odors.</li> <li>2. To replace, see Air Filter information in WATER FILTER section of this Use &amp; Care Guide.</li> </ol>

## TABLE OF CONTENTS

<b>Garantía</b> .....	45	<b>Conexión de la línea de agua</b> .....	74
<b>Registro de producto</b> .....	46	<b>Filtro de agua</b> .....	75
<b>Instrucciones de seguridad importantes</b> ....	47-50	<b>Cuidado y limpieza</b> .....	76-77
<b>Piezas y características</b> .....	51	<b>Guía de solución de problemas</b> .....	78-85
<b>Instalación del refrigerador</b> .....	52-60	<b>Servicio</b> .....	Contraportada
Desembalaje de su refrigerador .....	52		
Antes del uso .....	53		
Instalación .....	53		
Extracción / reemplazo de las manijas de su refrigerador y congelador, Puertas y cajones .....	54-59		
Nivelación del refrigerador y ajuste de la puerta .....	60		
<b>Uso del refrigerador</b> .....	61-73		
Ajuste de los controles .....	61		
Inner control panel .....	62		
Características inteligentes .....	63		
Instrucciones para red inteligente .....	64		
Aviso de la FCC .....	65		
Panel de control de dispensa .....	66		
Panel de control del dispensador .....	66		
Icemaker .....	67~69		
Guía de almacenamiento de alimentos .....	70		
Cómo conservar productos congelados .....	70		
Sección del refrigerador .....	71~73		



# KENMORE ELITE GARANTÍA LIMITADA



## GARANTÍA DEL REFRIGERADOR

### GARANTÍA LIMITADA DE KENMORE ELITE

DENTRO DE UN AÑO a partir de la fecha de venta, este electrodoméstico posee garantía contra defectos en los materiales o en la mano de obra cuando se instale, opera y mantenga correctamente de acuerdo con todas las instrucciones provistas.

CON COMPROBANTE DE VENTA, un aparato defectuoso recibirá reparación gratuita. Si el aparato no se puede reparar, se reemplazará sin cargo.

La marca Kenmore Elite se utiliza bajo licencia. Dirija todas las reclamaciones por servicio de garantía a: Winiadaewoo Electronics America Inc. 844-553-6667.

Esta garantía se anula si este electrodoméstico se usa para cualquier propósito que no sea el uso doméstico privado.

Esta garantía le otorga derechos legales específicos, y es posible que tenga también otros derechos, los cuales varían de un estado a otro.

**Winiadaewoo Electronics America Inc., Ridgefield Park, NJ 07660**

## REGISTRO DEL PRODUCTO

En el espacio siguiente, anote la fecha de la compra, el modelo y el número de serie del producto. Encontrará el modelo y el número de serie impreso en la placa de identificación situada en el revestimiento interior del compartimiento del refrigerador. Tenga esta información a mano siempre que se ponga en contacto con centro de servicio en relación con su producto.

N.º de modelo. \_\_\_\_\_

Fecha de compra \_\_\_\_\_

N.º de serie. \_\_\_\_\_

Guarde estas instrucciones y su ticket de compra para futuras consultas.

# INSTRUCCIONES IMPORTANTES SOBRE SEGURIDAD

## PRECAUCIONES BÁSICAS DE SEGURIDAD

Este manual contiene muchos mensajes de seguridad importantes. Lea y cumpla siempre todos los mensajes de seguridad



Éste es el símbolo de alerta de seguridad. Le avisa de mensajes de seguridad que le informan de peligros de muerte o lesiones para usted o los demás, o que puedan dañar el producto.

Todos los mensajes de seguridad estarán precedidos del símbolo de alerta de seguridad y de las palabras de señal de peligro PELIGRO, ADVERTENCIA o PRECAUCIÓN. Estas palabras significan:

**! PELIGRO**

Si no respeta las instrucciones, morirá o sufrirá lesiones graves.

**! PELIGRO**

Si no respeta las instrucciones, podría morir o sufrir lesiones graves. Indica una situación de peligro

**! PELIGRO**

Inminente que, si no se evita, podría provocar lesiones leves o moderadas, o daños en el producto.

Todos los mensajes de seguridad le indicarán el peligro, lo que debe hacer para reducir la probabilidad de lesiones y lo que puede ocurrirle si no se siguen las instrucciones.

## **! ADVERTENCIA**

**Para reducir el riesgo de incendio, descarga eléctrica o lesiones personales al utilizar el producto, se deben respetar una serie de precauciones de seguridad básicas, entre las que se incluyen las siguientes:**

**Lea todas las instrucciones antes de utilizar este electrodoméstico.**

- NUNCA desenchufe el refrigerador tirando del cable de corriente. Agarre siempre el enchufe firmemente y tire del mismo para retirarlo de la toma de corriente.
- Si el cable de alimentación se encuentra dañado deberá ser sustituido por el fabricante, por un servicio técnico autorizado o personal cualificado para evitar riesgos innecesarios. No use un cable con grietas o abrasiones sobre su extensión o en los extremos del enchufe o conector  
No modifique ni alargue la longitud del cable de corriente, ya que podría causar una descarga eléctrica o provocar un incendio.
- Cuando separe el refrigerador de la pared, tenga cuidado de no torcer o dañar el cable de alimentación.
- Este aparato no está diseñado para ser utilizado por personas. (incluyendo niños) con reducción física, sensorial o capacidades mentales, o falta de experiencia y conocimiento, a menos que hayan sido supervisados o instruidos sobre el uso del aparato por parte de una persona responsable de su seguridad.
- NO guarde ni utilice gasolina ni ningún otro gas o líquido inflamable cerca de este electrodoméstico o de cualquier otro.

- NO permita que los niños escalen, se monten o se cuelguen de las puertas o estantes del refrigerador. Podrían dañar el refrigerador o sufrir lesiones graves
- Mantenga los dedos lejos de los puntos de riesgo de pinzamiento; las distancias de separación entre las puertas y los gabinetes son necesariamente pequeños. Tenga especial cuidado al cerrar las puertas cuando haya niños cerca.
- Desenchufe el refrigerador antes de limpiar o realizar cualquier reparación.

**NOTA:** Se recomienda encarecidamente que cualquier reparación sea realizada por un técnico cualificado

- Mantenga las aberturas de ventilación, dentro de la carcasa del aparato o en la estructura incorporada, sin obstrucciones.
- No utilice dispositivos mecánicos u otros medios para acelerar el proceso de descongelación, que no sean los recomendados por el fabricante.
- No dañe el circuito refrigerante
- No utilice aparatos eléctricos dentro de los compartimentos de almacenamiento de alimentos del aparato a menos que sean del tipo recomendado por el fabricante.
- Conectar solo al suministro de agua potable.

## ! ADVERTENCIA

- Antes de sustituir una bombilla fundida o rota, desenchufe el refrigerador o corte la corriente en el disyuntor o caja de fusibles con el fin de evitar el contacto con un cable con corriente. (Una bombilla fundida puede romperse en el momento de cambiarla, por lo que queda expuesto un cable con corriente).  
**NOTA:** Algunos modelos disponen de iluminación interior mediante LED, por lo que el mantenimiento deberá ser realizado por un técnico cualificado.  
**ADVERTENCIA:** Poner uno o ambos controles en posición de apagado (OFF) no corta la alimentación de circuito de iluminación.
- Cuando haya terminado, vuelva a conectar el refrigerador a la red eléctrica y restablezca los controles (Termostato, Control del refrigerador y/ o Control del congelador, en función del modelo) al ajuste deseado.
- Este refrigerador se debe instalar correctamente de acuerdo con las instrucciones
- Después de su refrigerador está en funcionamiento, no toque las superficies frías del congelador con las manos húmedas o mojadas . La piel puede adherirse a las superficies extremadamente frías .
- No conecte varios aparatos en la misma toma de corriente. - Puede ser una causa del sobrecalentamiento y / o fuego . Utilice una conexión de puesta a tierra exclusiva para el refrigerador .
- No toque el cable de alimentación o el enchufe con las manos mojadas . Hay Un riesgo de descarga eléctrica
- Nunca utilice un cable dañado o enchufe eléctrico o toma de corriente floja . Hay un riesgo de incendio , descargas eléctricas o lesiones graves.
- Asegúrese de conectar . Compruebe si la toma eléctrica de pared (con toma de tierra) . Hay un riesgo de descarga eléctrica .
- No instale el refrigerador en un piso mojado o en un lugar con humedad excesiva y la humedad. El aislamiento eléctrico se debilita, lo que resulta en un riesgo de descarga eléctrica .
- Nunca deje que el cable de alimentación toque o pase por encima de aparatos de calefacción. El cable de alimentación puede dañarse, lo que resulta en un riesgo de descarga eléctrica .
- Asegúrese de que el enchufe está completamente insertado en la toma corriente para evitar el riesgo de descarga eléctrica .
- No almacene ni use gasolina u otros vapores inflamables y líquidos en las proximidades de este o cualquier otro
- Nunca vierta o rocíe agua en el refrigerador (Interior y exterior) . El aislamiento eléctrico se debilita , lo que resulta en un riesgo de descarga eléctrica .
- No coloque recipientes con agua o líquido en la parte superior del refrigerador. El agua puede derramarse en el refrigerador y puede causar riesgos de descargas eléctricas o daños .
- No mover o eliminar estantes / bolsillos compartimiento mientras que los alimentos y los envases son en ellos. Recipientes duros (de vidrio, metal, etc.) pueden caer a hacer daño y pueden romperse estante de vidrio y piezas interiores.
- Nunca reparar, desmontar o alterar el frigorífico por su cuenta. Existe el riesgo de lesiones personales o daños en el refrigerador. Se recomienda que cualquier servicio se lleve a cabo por una persona cualificada.
- Si una fuga de gas se encuentra cerca de la nevera o en la cocina, ventile inmediatamente sin tocar el enchufe o el refrigerador.
- No almacene muestras médicas o de investigación académica que requieren un estricto control de la temperatura en el refrigerador.
- Nunca inserte los dedos o las manos en la parte inferior de la nevera, sobre todo en la parte inferior trasera. Puede ser herido por los bordes metálicos o puede recibir una descarga eléctrica.
- Cuando encontramos el cable de alimentación dañado o cortado, llame al agente de servicio inmediatamente.
- Al deshacerse de su refrigerador viejo, asegúrese para quitar el sellado de las puertas primera. - Los niños pueden ser atrapado y afixarse en un refrigerador abandonado.
- Se recomienda que desenchufar la nevera cuando no va a ser utilizado durante un largo período de tiempo.
- Nunca toque los alimentos y contenedores especialmente de metal que se encuentren en el congelador con las manos esten mojadas . Puede producirse quemaduras por frío .
- No coma ningún alimento caducados o en mal estado. Los alimentos almacenados demasiado tiempo en el refrigerador pueden deteriorarse y descomponerse .
- Nunca coloque botellas y recipientes de vidrio en el congelador . Envases y botellas de vidrio pueden romperse y hacer daño .
- Al mover el refrigerador (horizontal o inclinada) , se requieren más de 2 personas para sostenerlo. (Una para sujetar la parte superior hacia atrás asas , y el otro para mantener el soporte de la parte inferior) . Si otras piezas se mantienen en su lugar, es muy peligroso y probablemente a deslizarse.

## GUARDE ESTAS INSTRUCCIONES

## ! ADVERTENCIA

- Asegúrese de subir la rueda primero antes de mover el refrigerador . Asegúrese de subir la rueda antes de mover el refrigerador, de lo contrario , las partes pueden colisionar y romper uno al otro
- NO toque el mecanismo automático de fabricación de hielo mientras el refrigerador esté enchufado.
- NO vuelva a congelar alimentos que se hayan descongelado . El Departamento de Agricultura de los Estados Unidos en Home and Garden Bulletin No. 69 dice:

...Se pueden volver a congelar con seguridad alimentos congelados que se hayan descongelado si aún contienen cristales de hielo o si aún siguen fríos: por debajo de los 4 °C.

...La carne picada, la carne de ave o el pescado descongelados cuyo olor o color indiquen mal estado no deberían volver a congelarse ni deberían comerse. El helado descongelado se debe desechar. Si el olor o el color de cualquier alimento ha perdido frescura o es cuestionable, deséchelo. Comer este tipo de alimentos puede ser peligroso.

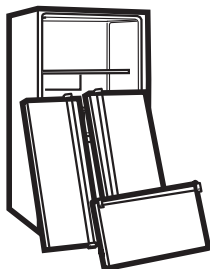
Incluso si se descongela parcialmente un alimento y se vuelve a congelar, su calidad alimenticia se ve reducida, particularmente si se trata de frutas, verduras y comida preparada. La calidad alimenticia de las carnes rojas se ve menos afectada que la de la mayoría de alimentos. Utilice los alimentos recongelados lo antes posible para salvaguardar el máximo de calidad.

**! ADVERTENCIA** : Este producto contiene químicos conocidos por el Estado de California como causantes de Cáncer y defectos de nacimiento u otros daños reproductivos. Lávese las manos después de usarlo [www.P65Warnings.ca.gov](http://www.P65Warnings.ca.gov)

## GUARDE ESTAS INSTRUCCIONES

## ! PELIGRO: RIESGO DE ATRAPAMIENTO DE NIÑOS

Los refrigeradores desechados o abandonados son peligrosos, incluso si sólo es por unos pocos días. Si va a deshacerse de su antiguo refrigerador, le recomendamos que siga las instrucciones que encontrará a la derecha para evitar posibles accidentes (atrapamiento de niños y asfixia).



### ANTES DE DESECHAR SU ANTIGUO REFRIGERADOR O CONGELADOR:

- Desmontar las puertas
- Deje los estantes en su sitio para que los niños no puedan trepar con facilidad al interior.

## ELIMINACIÓN DE CFC

Es posible que su antiguo refrigerador tenga un sistema de refrigeración que use CFC (clorofluorocarbonos). Se cree que los CFC son perjudiciales para el ozono estratosférico.

Si va a desechar su antiguo refrigerador, asegúrese de que un técnico cualificado se encargue de retirar el refrigerante de CFC para su adecuada eliminación. Si de forma intencionada libera este refrigerante de CFC, podría estar sujeto a multas y penas de prisión según lo previsto en la legislación medioambiental.

## EQUISITOS ELÉCTRICOS Y DE CONEXIÓN A TIERRA

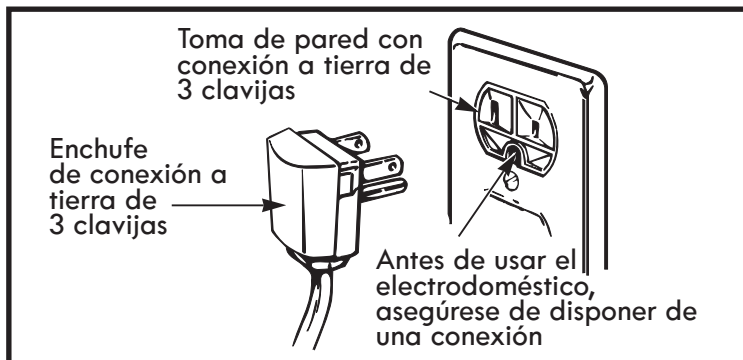
**IMPORTANTE:** Lea atentamente la siguiente información

### PARA CONECTAR LA ELECTRICIDAD

#### **! ADVERTENCIA**

##### **Riesgo de descargas eléctricas**

**POR MOTIVOS DE SEGURIDAD PERSONAL**, este electrodoméstico debe estar conectado a tierra adecuadamente. Solicite a un electricista cualificado que compruebe la toma de corriente y el circuito eléctrico para asegurarse de que la toma de corriente está correctamente conectada a tierra.



### MÉTODO DE CONEXIÓN A TIERRA RECOMENDADO

El refrigerador debe estar siempre enchufado a su toma de corriente individual conectada a tierra adecuadamente con una tensión nominal de 115 voltios, 60 Hz, sólo CA, y protegida mediante fusible a 15 ó 20 amperios. Esta configuración proporciona el mejor rendimiento y, al mismo tiempo, evita la sobrecarga de la instalación eléctrica de la casa que podría provocar un peligro de incendio debido a un sobrecalentamiento de los cables. Se recomienda disponer de un circuito independiente para la exclusiva alimentación de este electrodoméstico.

Use un receptáculo que no se pueda apagar con un interruptor o una cadena de tracción. No utilice un alargador de corriente.

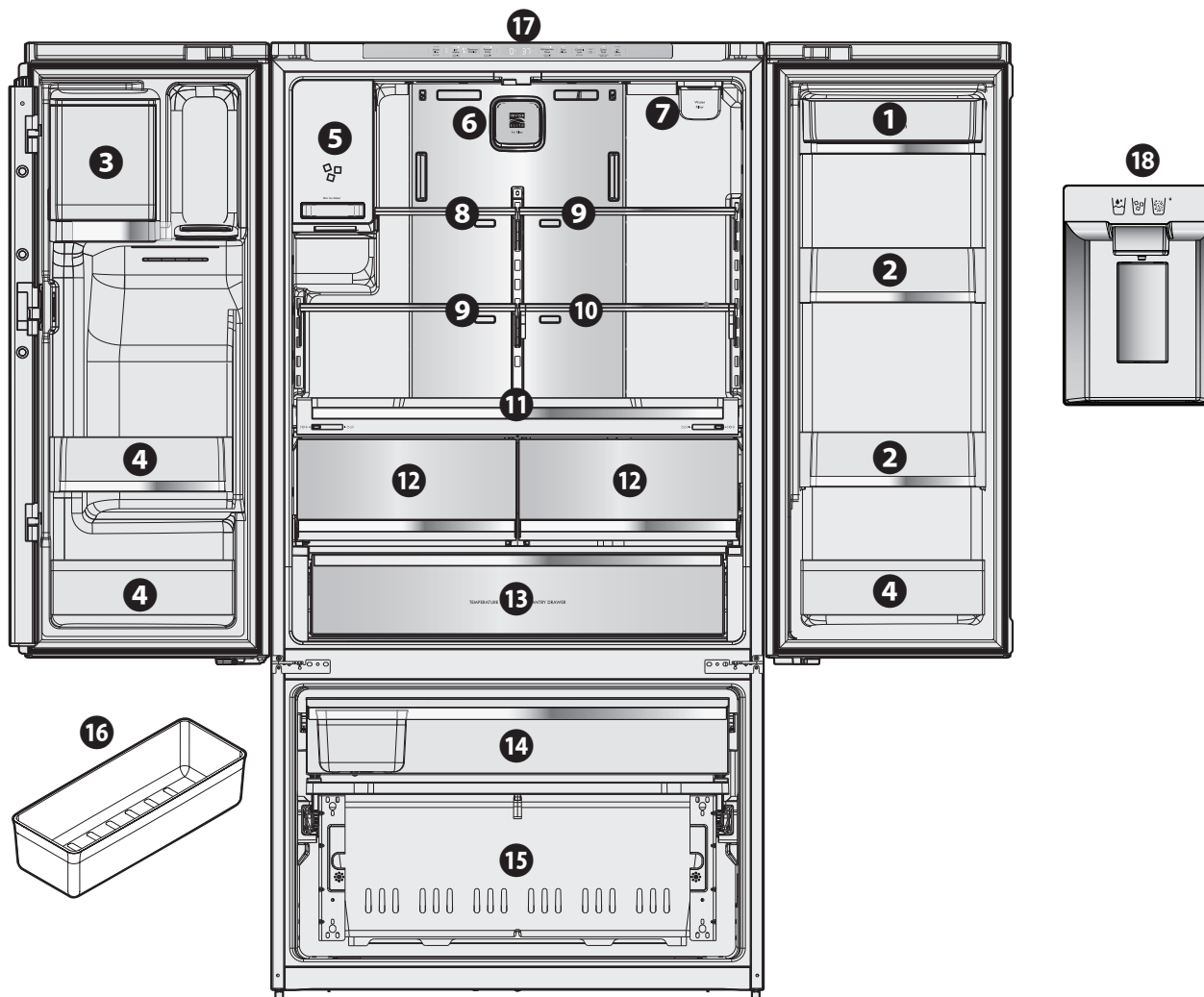
Si únicamente se dispone de una toma de corriente de 2 clavijas, será responsabilidad y obligación suya sustituirla por otra de 3 clavijas con una conexión a tierra adecuada

### USO DE CABLES ALARGADORES

Debido a los posibles peligros de seguridad que se pueden producir bajo ciertas condiciones, no se recomienda el uso de un cable alargador. Sin embargo, si a pesar de ello elige usar un cable alargador, es absolutamente necesario que sea un cable alargador para electrodomésticos de 3 clavijas con conexión a tierra y clasificación UL (EE. UU.), que disponga de un enchufe y una toma de corriente con conexión a tierra, y que la clasificación eléctrica del cable sea de 15 amperios (mínimo) y 120 voltios.

El uso de un cable alargador aumentará la separación necesaria para la parte posterior del refrigerador

## PIEZAS Y CARACTERÍSTICAS



1. Bote de productos lácteos cubierto o contenedor de almacenamiento cubierto para almacenar mantequilla y queso.
2. compartimento de almacenamiento de la puerta Galon para artículos de tamaño mediano a grande.
3. Bin de almacenamiento múltiple o Bin cubierto para almacenar mantequilla y queso.
4. Banco de almacenamiento de puerta estrecha Para artículos pequeños.
5. Máquina de hielo / cubo de hielo para hacer y retener hielo para dispensador a través de la puerta.
6. Filtro de aire
7. filtro de agua
8. Estante superior estrecho
9. estante de vidrio ajustable
10. estante de deslizamiento
11. Amplio estante deslizante
12. Contenedor para frutas y verduras con control de humedad para almacenar frutas y verduras
13. Control de temperatura cajón de despensa de ancho completo (\*) para almacenar carne y verduras frescas
14. Saque el cajón del congelador
15. Cesta inferior del congelador para almacenamiento general del congelador
16. Botella de almacenamiento de hielo en el congelador
17. Control y panel de visualización
18. Dispensador de hielo / agua

## INSTALACIÓN DEL REFRIGERADOR

### ! ADVERTENCIA

#### Riesgo de peso excesivo:

Use dos o más personas para mover e instalar el refrigerador. El no hacerlo puede resultar en la espalda u otras lesiones.

### DESEMBALAJE DEL REFRIGERADOR

Antes de su uso, retire la cinta adhesiva y todas las etiquetas temporales del refrigerador. No retire las etiquetas que indican advertencias, la etiqueta de modelo y número de serie ni la Hoja técnica que está ubicada debajo del frontal del refrigerador, detrás de la rejilla de la base.

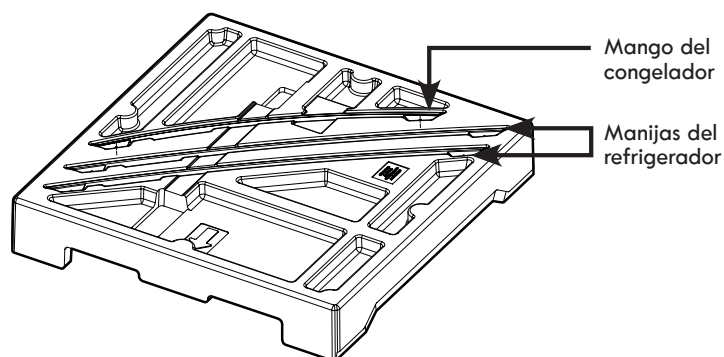
Para retirar los restos de pegamento o cinta adhesiva, frote enérgicamente el área con el pulgar. Los residuos de pegamento o cinta adhesiva también se pueden retirar fácilmente frotando con los dedos una pequeña cantidad de lavavajillas líquido sobre el adhesivo. Aclare con agua templada y seque el área.

No utilice instrumentos afilados, alcohol desinfectante, líquidos inflamables ni limpiadores abrasivos para retirar la cinta adhesiva o el pegamento. Estos productos pueden dañar la superficie del refrigerador.

Los estantes del refrigerador están instalados en la posición de transporte. Vuelva a colocar los estantes de acuerdo con sus necesidades personales de almacenamiento.

Retire todos los estantes del compartimiento del refrigerador en voladizo y retire la cinta protectora de envío que se encuentra en los ganchos de sujeción en la parte posterior de los estantes. Para obtener instrucciones sobre cómo retirar el estante, consulte los estantes del refrigerador en la sección USO DE SU REFRIGERADOR de esta Guía de uso y cuidado.

#### Las manijas están ubicadas en el cojín de embalaje superior



### ! ADVERTENCIA

#### Riesgo de peso excesivo:

Refrigerador es muy pesado. Al desplazarlo para su limpieza o mantenimiento, asegúrese de proteger el suelo.

Siempre debe tirar del refrigerador en línea recta cuando lo desplace. No menee ni zigzaguee el refrigerador al tratar de desplazarlo, ya que esto puede dañar el suelo.

### ! ADVERTENCIA

#### Riesgo de explosión:

Mantenga los materiales o vapores inflamables, como gasolina, lejos del refrigerador. Si no se respeta esta advertencia, existe peligro de explosión, incendio o muerte.



# INSTALACION DEL REFRIGERATOR

## ANTES DE USAR

1. Limpie el refrigerador a fondo y quite todo el polvo acumulado durante el transporte.
2. Instale los accesorios como el depósito de cubito de hielo, los cajones, los estantes, etc., en su sitio. Están empaquetados juntos para evitar posibles daños durante el transporte.
3. Deje que el refrigerador esté en funcionamiento durante al menos dos o tres horas antes de almacenar comida dentro de él. Compruebe el flujo de aire frío en el compartimiento del congelador para asegurarse de que la refrigeración sea la adecuada. Su refrigerador ya está listo para su uso

## INSTALACIÓN

El refrigerador debe estar siempre enchufado a su toma de corriente individual conectada a tierra adecuadamente con una tensión nominal de 115 voltios, 60 Hz, sólo CA, y protegida mediante fusible a 15 ó 20 amperios. Esta configuración proporciona el mejor rendimiento y, al mismo tiempo, evita la sobrecarga de la instalación eléctrica de la casa que podría provocar un peligro de incendio debido a un sobrecalentamiento de los cables. Se recomienda disponer de un circuito independiente para la exclusiva alimentación de este electrodoméstico

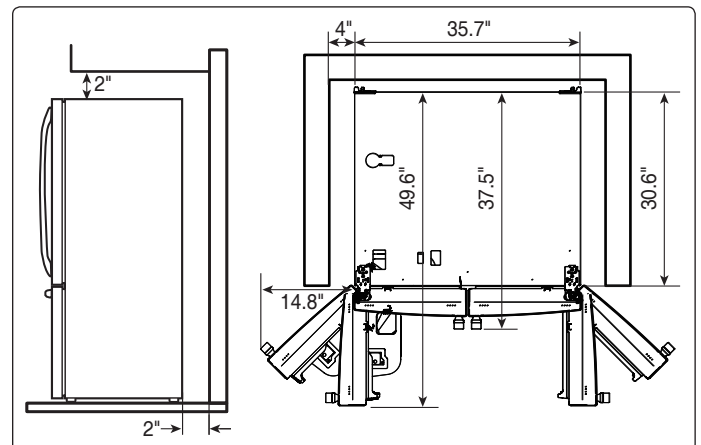
### ! ADVERTENCIA

#### Riesgo de descarga:

Para reducir el riesgo de descarga electricista , no instale el refrigerador en un área húmeda o una presa.

## INSTALACIÓN (continuación)

1. Para evitar el ruido y la vibración, es necesario nivelar la unidad e instalarla en un suelo sólidamente construido. Si es necesario, ajuste los pies de nivelación para compensar los desniveles del suelo. La parte delantera debe estar ligeramente más elevada que la posterior para ayudar al cierre de la puerta. Los pies de nivelación se pueden girar con facilidad inclinando ligeramente el aparato. Gire los pies de nivelación en sentido horario para elevar la unidad y en sentido antihorario para bajarla. (Consulte nivelación y alineación de las puertas).  
**NOTA:** No se recomienda realizar la instalación sobre moqueta, superficies de baldosas flexibles, una plataforma o en una estructura con soporte inestable
2. Instale este electrodoméstico en una zona donde la temperatura esté entre 13 °C (55 °F) y 43 °C (110 °F). Si la temperatura alrededor del electrodoméstico es demasiado baja o demasiado alta, la capacidad de refrigeración se verá gravemente afectada
3. Seleccione un lugar en el que se pueda conectar fácilmente el suministro de agua para la máquina de hielo automática  
**NOTA:** La presión del agua debe estar entre las 30 y 125 psi o 207 a 862 kPa o 2.1 a 8.8 kgf / cm<sup>2</sup> . Si el refrigerador está instalado en un área con baja de agua por debajo de 30 psi, se puede instalar una bomba de refuerzo para compensar la baja presión
4. Para suficiente espacio libre de apertura de la puerta, permita al menos 4 pulgadas entre el lado del refrigerador y una pared o superficie adyacente que se extiende completamente hacia o más allá de la puerta frontal del refrigerador.  
Para la apertura completa de la puerta, deje al menos 14.8 pulgadas entre el costado del refrigerador y la pared o superficie que se extiende hacia o más allá de la puerta delantera del refrigerador.
5. Una distancia demasiado pequeña de las superficies adyacentes puede resultar en una menor capacidad de congelación y en un mayor consumo de electricidad. Proporcione el siguiente espacio libre sin obstrucciones para que haya suficiente flujo de aire alrededor del refrigerador:
  - Por lo menos 2 pulgadas entre la parte trasera y la pared del refrigerador.
  - Por lo menos 2 pulgadas entre la parte superior del refrigerador y la superficie superior.



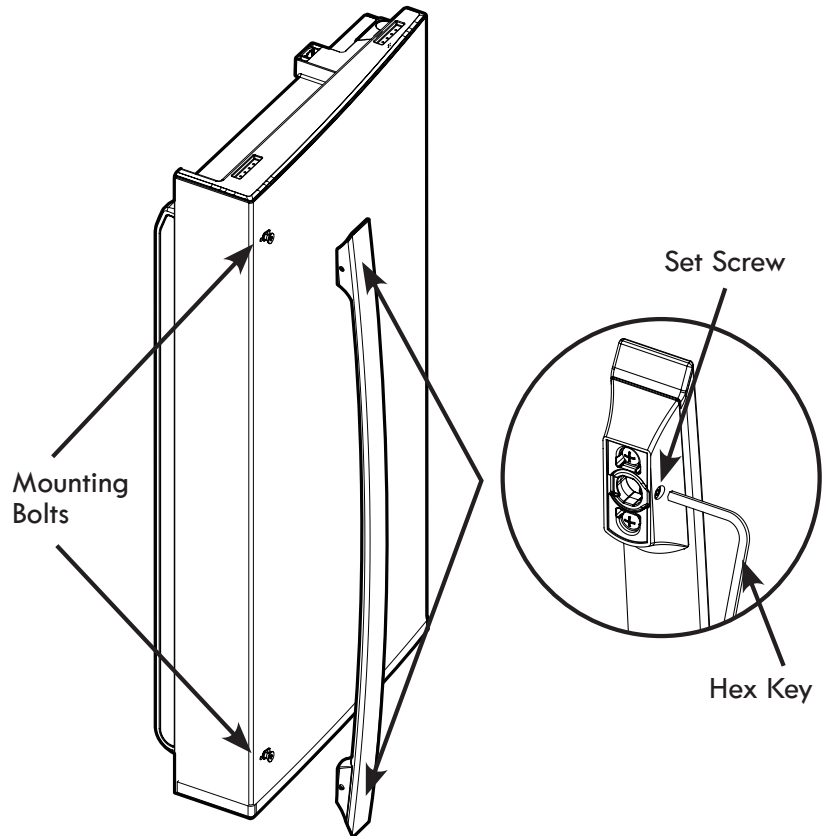
# INSTALACION DEL REFRIGERATOR

**NOTA:** Siempre se recomienda desmontar las puertas cuando sea necesario desplazar el refrigerador a través de un espacio estrecho. Si es necesario desmontar las manijas, siga las instrucciones que se indican a continuación.

## CÓMO DESMONTAR LA MANIJA DE LA PUERTA DEL REFRIGERADOR

**NOTA:** El aspecto de la manija puede ser distinto del que aparece en las ilustraciones de esta página.

Use la llave hexagonal de 2.5 mm provista para aflojar los 2 tornillos de fijación ubicados en los extremos superiores interiores del mango. Retire la manija del pernos de montaje de la manija subyacente en la puerta.



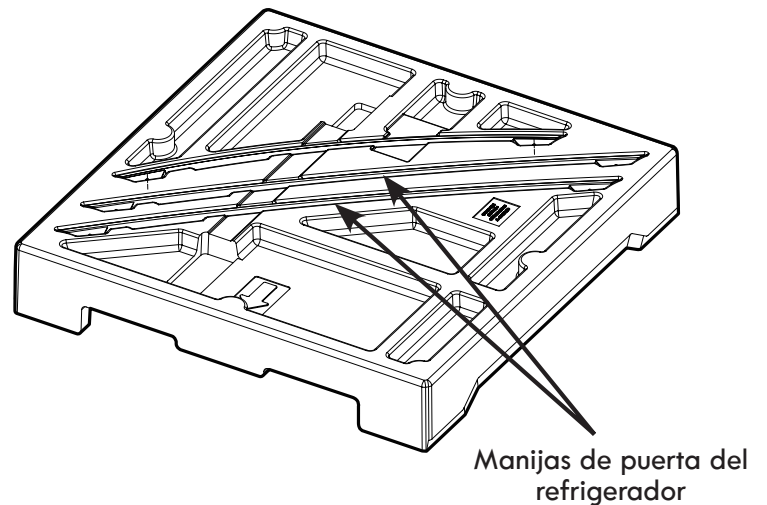
## CÓMO SUSTITUIR LA MANIJA DE LA PUERTA DEL REFRIGERADOR

**NOTA:** El aspecto de la manija puede ser distinto del que aparece en las ilustraciones de esta página.

### Sustitución de la manija de la puerta del refrigerador

Coloque los extremos de la manija sobre los pernos de montaje de la manija en la puerta. Use la llave hexagonal de 2.5 mm para apretar los 2 tornillos de fijación para asegurar el mango en su lugar.

Las manijas de la puerta del refrigerador están ubicadas en el cojín superior del embalaje



# INSTALACION DEL REFRIGERATOR

**NOTA:** Siempre se recomienda desmontar las puertas cuando sea necesario desplazar el refrigerador a través de un espacio estrecho. Si es necesario desmontar las manijas, siga las instrucciones que se indican a continuación.

## CÓMO RETIRAR LAS MANIJAS DEL CAJÓN DEL CONGELADOR

**NOTA:** El aspecto de la manija puede ser distinto del que aparece en las ilustraciones de esta página

Use la llave hexagonal de 2.5 mm provista para aflojar los 2 tornillos de fijación ubicados en los extremos superiores interiores del mango. Retire la manija de los pernos de montaje de la manija subyacente en el cajón.

## CÓMO REEMPLAZAR LOS MANILLARES DEL CAJÓN DEL CONGELADOR

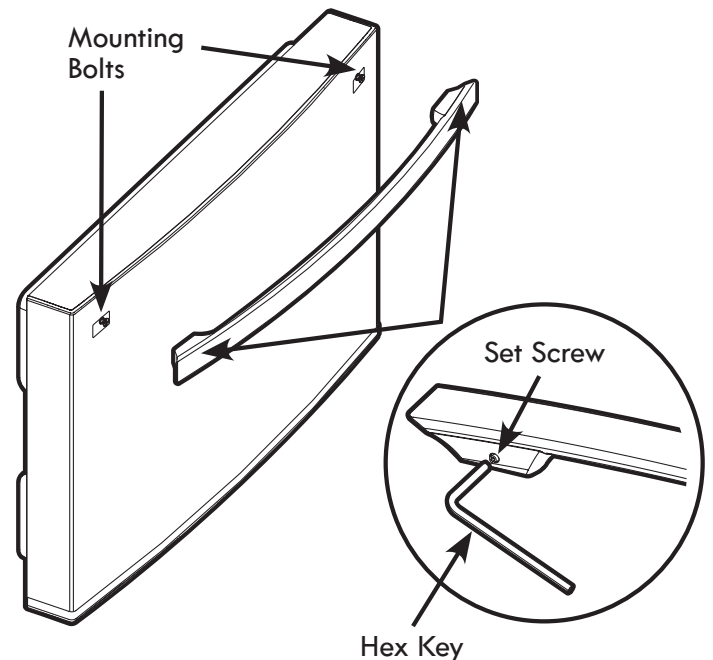
**NOTA:** El aspecto de la manija puede ser distinto del que aparece en las ilustraciones de esta página

Coloque los extremos de la manija sobre los pernos de montaje de la manija en el cajón. Use la llave hexagonal de 2.5 mm para apretar los 2 tornillos de fijación para asegurar el mango en su lugar.

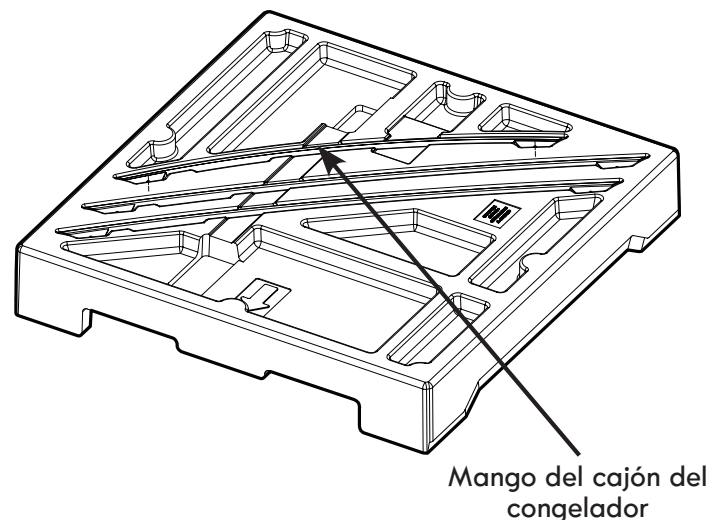
### ⚠ ADVERTENCIA

Para el montaje o desmontaje de los tiradores:

- Sujete el tirador con fuerza para evitar que se caiga o le cause lesiones.
- Evite que el tirador oscile cerca de personas o animales.
- Inserte el orificio de soporte del tirador en la tornillo de tipo de la puerta exactamente, y coloque los tornillos de sujeción para fijar el tirador en su posición.
- Compruebe que no haya ningún espacio entre la puerta y el tirador tras colocar éste en su posición



El mango del cajón del congelador se encuentra en el cojín del empaque



# INSTALACION DEL REFRIGERATOR

## REMOVING AND REPLACING REFRIGERATOR DOORS

### ! ADVERTENCIA

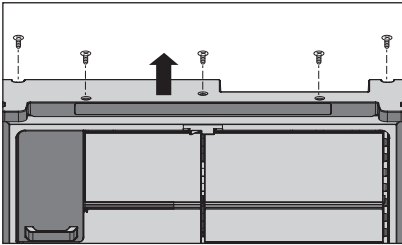
#### Riesgo de descargas eléctricas

Antes de retirar la cubierta de la bisagra superior

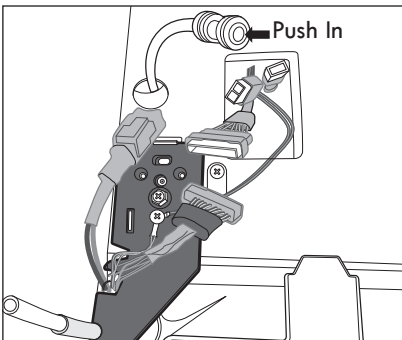
- Apagar el suministro de agua al refrigerador
- Desconecte el enchufe del refrigerador o el interruptor o panel de fusibles.

#### Para remover la puerta izquierda:

1. Retire la cubierta de la bisagra superior, usando un destornillador tipo Phillips remueva 5 tornillo.

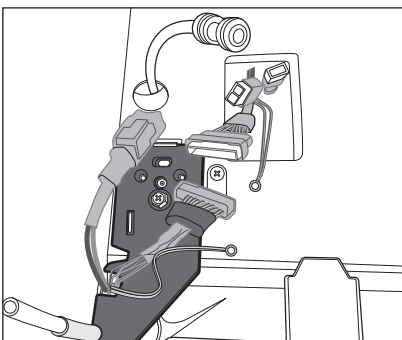


2. Retire el tornillo del cable de conexión a tierra de la bisagra y tire de las dos conexiones del cable de conexión a tierra hacia afuera de la bisagra. Desconecte los tres arneses de cables y el tubo de agua. Presione el primer anillo pequeño en el collar de conexión para extraer el tubo.

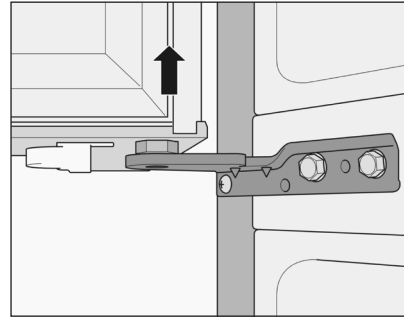


3. Con un destornillador Phillips grande, gire la bisagra superior hacia la izquierda para quitar la bisagra/placa superior.

**Precaución:** después de la bisagra se retira la puerta puede caer hacia delante. Por favor asegurar la puerta durante este proceso.



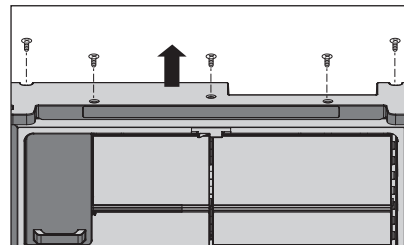
4. Lift the door from the middle hinge pin and remove the door. Place the door, inside facing up, on a nonscratch surface.



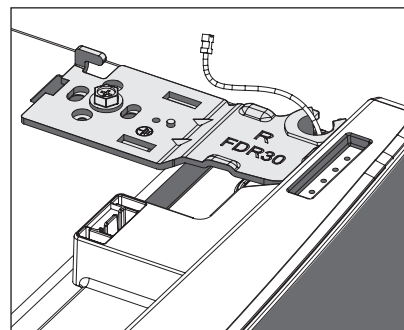
**NOTA:** Si es necesario para poder mover la unidad a través de una puerta o pasillo estrecho, retire las bisagras centrales de la puerta izquierda y derecha. Use una llave de 10 mm para aflojar y quitar los dos pernos que sujetan la bisagra al gabinete.

#### Para remover la puerta derecha:

1. Retire la cubierta de la bisagra superior, usando un destornillador tipo Phillips remueva 5 tornillos.



2. Usando una llave de tubo o extremo de caja de 10 mm, gire la bisagra superior sujetador en sentido antihorario para quitar la placa de la bisagra superior. Desconecte el mazo de cables.

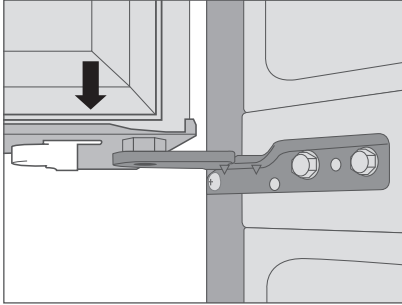


3. Levante la puerta de la bisagra del medio y retire la puerta. Coloque la puerta, con el interior hacia arriba, sobre una superficie que no arañe.

# INSTALACION DEL REFRIGERATOR

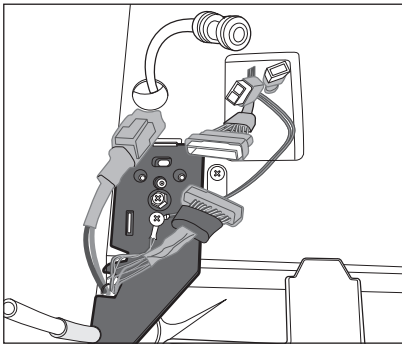
## Volver a instalar la puerta izquierda del refrigerado

1. Descender la puerta hacia la mitad de la bisagra..

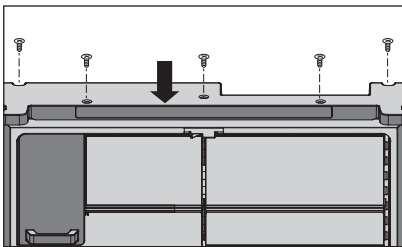


2. Coloque la bisagra superior en los agujeros del montaje y alinee a la posición correcta antes de apretar, gire la bisagra superior hacia la derecha para fijar la bisagra.

Use un extremo de caja de 10 mm o una llave de tubo para girar el sujetador de la bisagra superior para asegurar la bisagra.

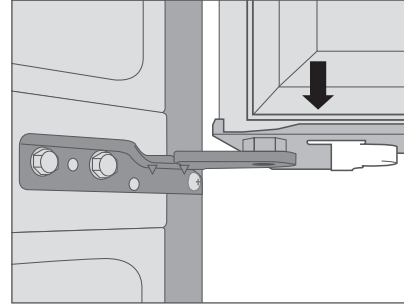


3. Atornillar la bisagra superior en posición con un destornillador.

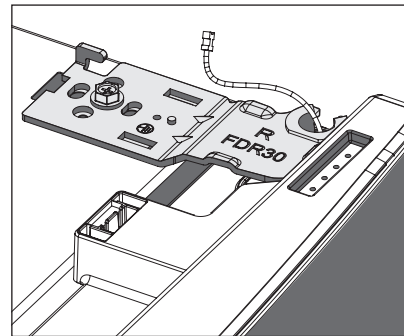


## Volver a instalar la puerta izquierda del refrigerado

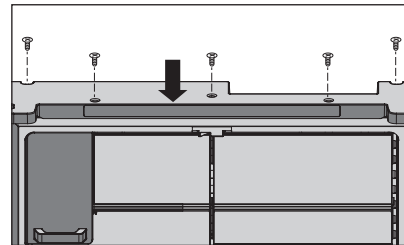
1. Descender la puerta hacia la mitad de la bisagra.



2. Coloque la bisagra superior sobre los orificios de montaje y alinee a la posición correcta antes de apretar. Use un extremo de caja de 10 mm o una llave de tubo para girar la parte superior bisagra en sentido horario para asegurar la bisagra. Vuelva a conectar de forma segura el arnés de cables.



3. Atornillar la bisagra superior en posición con un destornillador.

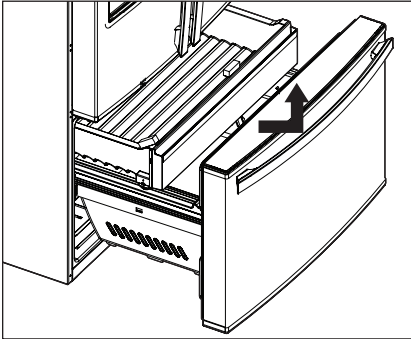


# INSTALACION DEL REFRIGERATOR

## CÓMO DESMONTAR EL CAJÓN DEL CONGELADOR

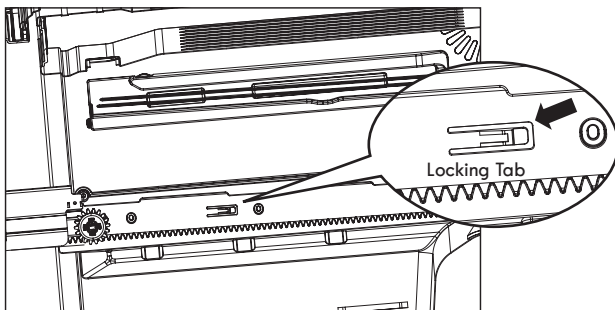
**⚠ ADVERTENCIA:** Use dos o más personas para extraer e instalar el cajón del congelador . El no hacerlo puede resultar en lesiones personales , producto o daños materiales

1. Saque la bandeja de hielo primero y luego saque el cajón superior del congelador levantándolo.



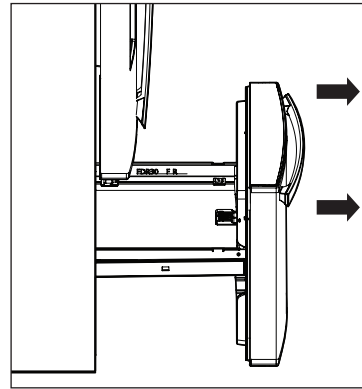
2. Remueva la canasta inferior del congelador tirando hacia arriba e inclinando hacia adelante hasta que pueda ser retirado del conjunto de cajón congelador/ puerta.

3. Empuje hacia abajo en el bloqueo del riel pestañas mientras tira del cajón del congelador hacia afuera para liberar el riel interno huellas del gabinete. Con la ayuda de un asistente, continúe tire del cajón hacia afuera hasta que las vías del tren interior y exterior son totalmente extendido y el cajón está completamente retirado del gabinete.



4. Tire del cajón del congelador exterior para sacarla totalmente el conjunto de carril del refrigerador. Use 2 personas para esta tarea ya que la puerta es pesada y difícil de manejar .

**⚠ PRECAUCIÓN:** No sostenga el mango al retirar o sustituir el cajón . El mango puede salir y podría causar lesiones personales .

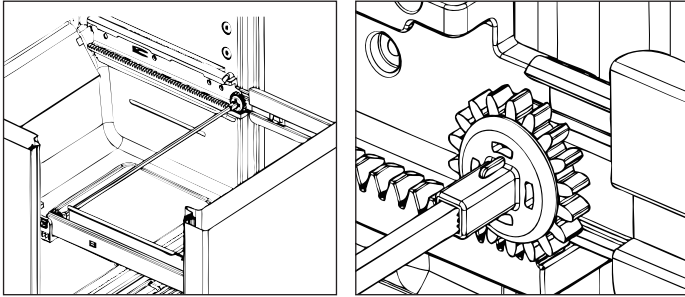


5. Coloque la puerta sobre una superficie que no arañe.

# INSTALACION DEL REFRIGERATOR

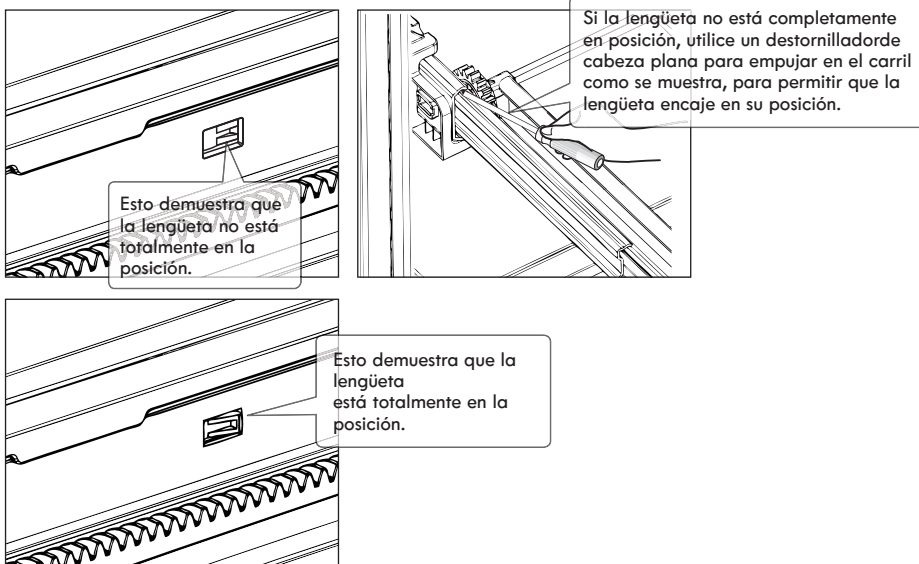
## CÓMO INSTALAR EL CAJÓN DEL CONGELADOR

1. Retraiga completamente la vía interior dentro de la vía exterior antes de Instalación del cajón del congelador. Con la ayuda de un asistente, alinee el el riel termina con las guías del riel ubicadas a los lados del gabinete. Asegúrese de que los dientes del engranaje estén enganchados a las guías del riel. misma cantidad en ambos lados.

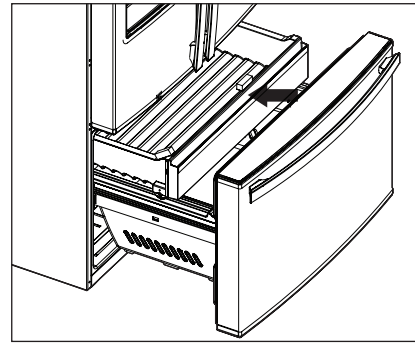


2. Empujar y cerrar el cajón del congelador completamente para centrar las lengüetas en los rieles, aplique un poco de presión después que la puerta está cerrada para colocar las lengüetas en los rieles.

**PRECAUCIÓN:** Asegúrese de que las lengüetas estén completamente centradas en el carril o el cajón del refrigerador puede ser halado fuera del refrigerador por el usuario . Abrir la puerta del congelador completamente para comprobar y ver si las lengüetas estén bien centradas. Si ellos no están centrados, empuje suavemente cada carril del congelador con un destornillador de cabeza plana hacia el compartimiento del congelador hasta que las lengüetas estén fijadas en la posición correcta.



3. Remplace el cesto inferior del cajón del congelador.
4. Ponga el cajón superior del congelador debajo del cesto superior y cambie el compartimento de hielo en el cajón superior



5. Abrir y cierre el cajón del congelador varias veces para asegurarse que el funcional y cierre correctamente alrededor del compartimento del congelador.

**PRECAUCIÓN:** No sostenga la manija cuando retire o reemplace el cajón. El mango puede desprenderse y causar lesiones personales.



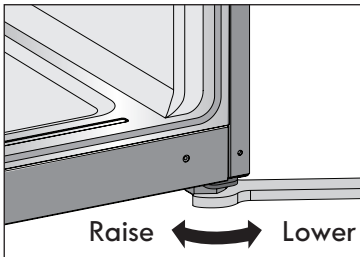
# INSTALACION DEL REFRIGERATOR

## NIVELACIÓN Y ALINEACIÓN DE LAS PUERTAS

El refrigerador debe estar a nivelado con el fin de mantener un rendimiento óptimo y una apariencia frontal deseable. (Si el piso debajo del refrigerador es desnivelado las puertas del congelador y refrigerador parece desequilibrada .)

### Nivelación del Refrigerador

1. Abra el compartimento del congelador y retire el cajón superior y la cesta inferior del cajón para acceder.
2. Usando la llave suministrada, gire los pies que nivelan hacia la derecha para bajar la pierna y en sentido contrario para elevar las esquinas frontales del refrigerador.

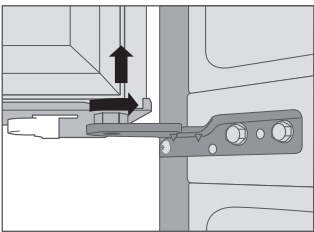


3. Instalar el cajón del congelador, después abrir y cerrar el cajón del congelador varias veces para asegurarse de que no hay ningún obstáculo.

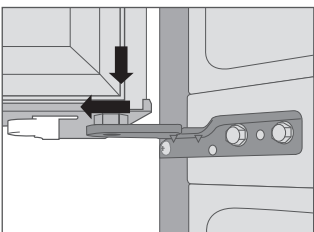
### Ajustando la puerta de un refrigerador

Si la altura es desigual, use la llave provista para girar la tuerca del tornillo en la bisagra central para ajustar la puerta del refrigerador.

1. Para levantar una puerta del refrigerador, gire el tornillo hacia la izquierda.



2. Para bajar la puerta del refrigerador girar el tornillo en hacia la derecha.



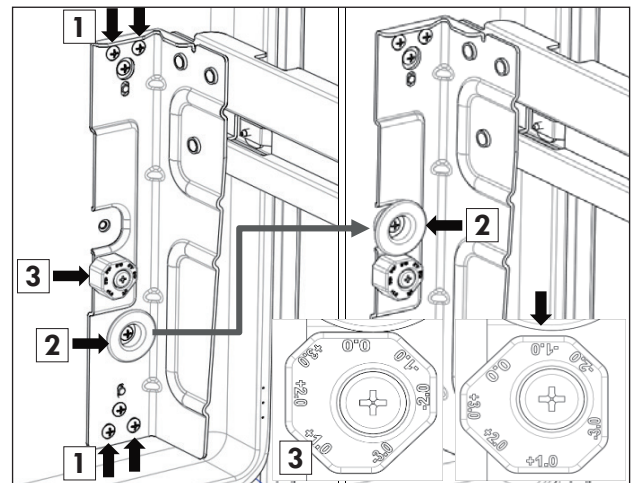
### Ajustando el cajón del congelador

Si el cajón del congelador está más abajo en un lado que en el otro, realice los pasos enumerados a continuación para levantar ese lado. Para acceder a los componentes de ajuste, primero jale el cajón hacia afuera a la extensión completa. luego retire el cajón extraíble y la cesta del congelador.

1. Afloje los cuatro tornillos en el soporte del riel en el lado donde se necesita ajuste.
2. Desatornille y retire el tapón de la posición inferior (imagen izquierda) y atornille Tapón en la posición superior (imagen derecha). El tapón servirá como borde fijo contra el cual girar la perilla de posición para ajustar la altura del soporte del riel.
3. Lleve ligeramente la perilla de posición hacia adelante y gírela firmemente a una posición diferente, luego suelte la perilla nuevamente en su lugar. Las superficies de las perillas empujan contra el borde de el anillo de tope para variar la altura del soporte del riel. El ajuste máximo La variación es de aproximadamente 1/8 de pulgada.

**Nota:** Si el tapón no sobresale lo suficiente como para hacer contacto con el Coloque la perilla, inserte una o dos arandelas planas debajo del tope

4. Vuelva a apretar los cuatro tornillos del soporte del riel.
5. Vuelva a colocar la canasta del congelador y el cajón extraíble. Al insertar la canasta, asegúrese de que las pestañas en la parte delantera de la canasta encajen en las ranuras de los rieles del cajón del congelador.





# USO DEL REFRIGERADOR

## AJUSTE DE LOS CONTROLES

### Temperatura

**NOTA:** Cada vez que cambie los ajustes de los controles, debe esperar 24 horas antes de realizar ajustes adicionales. Los controles están correctamente ajustados cuando la leche o el jugo están a la temperatura fría de su gusto y el helado está firme. Si la temperatura es demasiado fría o demasiado caliente en alguno de los compartimientos, cambie el ajuste en incrementos de un grado cada vez. Espere 24 horas a que se establezca la temperatura antes de volver a ajustarla.

- El control de la temperatura del refrigerador está pre ajustado a 37 ° F (3 ° C) y el control del congelador está pre ajustado a 0 ° F (-18 ° C). Estos son temperaturas recomendadas uso normal.



### Compartimento del Congelador

Presione el botón del congelador y la temperatura se ajustara en secuencia, como se muestra a continuación:

>>> Cambio Secuencial de Temperatura <<<



### Función de Enfriamiento Accela del Congelador :

Para activar el enfriamiento del congelador Accela , presione y mantenga presionado el botón del congelador durante 3 segundos . El enfriamiento Accela LED se encenderá. Presione el botón de nuevo para cancelar.

La función de enfriamiento Accela es útil para ayudar a enfriar rápidamente el compartimiento del congelador cuando sea necesario. Por ejemplo: Si una cantidad gran de comida caliente se coloca en el interior del congelador, o si se carga el congelador con más comida de del mercado, la cual puede que no este tan frío como la temperatura normal del congelador.

Enfriamiento Accela se cancelará automáticamente (Accela LED se apagara) después de 50 horas .

### Compartimiento del Refrigerador

Presione el botón del refrigerador y la temperatura se ajustara en secuencia, como se muestra a continuación:

>>> Cambio Secuencial de Temperatura <<<



### Función de Enfriamiento Accela del Refrigerador :

Para activar el enfriamiento del refrigerador Accela , presione y mantenga presionado el botón del refrigerador durante 3 segundos . El enfriamiento Accela LED se encenderá. Presione el botón de nuevo para cancelar.

La función de enfriamiento Accela es útil para ayudar a enfriar rápidamente el compartimiento del refrigerador cuando sea necesario. Por ejemplo: Si una cantidad gran de comida caliente se coloca en el interior del refrigerador, o si se carga el congelador con más comida de del mercado, la cual puede que no este tan frío como la temperatura normal del refrigerador.

Enfriamiento Accela se cancelará automáticamente (Accela LED se apagara) después de 6 horas .

### Modo de demostración (Para uso exclusivo de la tienda)

El modo de demostración desactiva todo enfriamiento en secciones del refrigerador y congelador para conservar la energía, mientras se encuentre en la exhibición en una tienda. Cuando el modo de demostración está activo, el panel de control puede funcionar sin activar el modo de refrigeración.

### Para Activar:

1. Presione el botón para bloquear las funciones.
2. Mientras mantiene presionados los botones Luz del filtro de agua y del dispensador, presione el botón Temperatura del refrigerador 5 veces. Continúe presionando y manteniendo presionados los botones del filtro de agua y la luz del dispensador durante 5 segundos más para iniciar la secuencia del modo de demostración y desactivar las funciones de enfriamiento.



### Para desactiva:

1. Mientras mantiene presionados los botones de luz del filtro de agua y del dispensador, presione el botón de temperatura del refrigerador 5 veces para detener la secuencia del modo de demostración y habilitar las funciones de enfriamiento.
2. Presione y mantenga presionado el botón de bloqueo de control durante 3 segundos para desbloquear el panel de control. El icono bloqueado desaparecerá.

# USO DEL REFRIGERADOR

## Inner Control Panel



### 1. Filtro de agua



Cuando se activa el ícono de Cambio de filtro, debe cambiar el filtro de agua. Después de cambiar el filtro de agua, mantenga presionado el botón Filtro de agua durante tres segundos para apagar la luz indicadora. Necesitas cambiar el filtro de agua aproximadamente cada seis meses.

### 2. Ice Maker



Presione para encender o apagar la fábrica de hielo. (Activado es la configuración predeterminada). Mantenga presionado el botón de la máquina de hielo durante 3 segundos para encender el Accela Ice. Esta función aumenta las capacidades de fabricación de hielo durante 24 horas.

### 3. Pantalla del dispensador



Presione el botón una vez: el botón dice ICON, tres iconos del dispensador encendidos (función activa brillante, dos funciones inactivas atenuadas), luz del dispensador apagada. Presione el botón dos veces: el botón muestra LIGHT, un icono de dispensador encendido (función activa brillante), luz del dispensador encendida. Presione el botón tres veces: el botón lee ICON y LIGHT; tres iconos del dispensador encendidos (función activa brillante, funciones inactivas tenues), luz del dispensador encendida. Presione el botón de visualización del dispensador cuatro veces: iconos del dispensador y luz del dispensador apagada.

### 4. Temperatura del congelador



Botón de selección para temperatura del compartimento congelador. Mantenga presionado el botón Freezer Temp durante 3 segundos para activar el modo Accela Chill.

### 5. Temperatura del refrigerador



Botón de selección para la temperatura del compartimento de temperatura del refrigerador. Mantenga presionado el botón Refrigerador Temp durante 3 segundos para activar el modo Accela Chill.

### 6. Alarma de puerta



Cuando se conecta la alimentación al refrigerador, la alarma de la puerta siempre funcionará. Al presionar el botón de alarma de puerta no se desactivará la función de alarma.

Cada vez que la puerta del refrigerador o el cajón del congelador permanecen abiertos durante más de 60 segundos, el LED del botón de alarma de la puerta se ilumina y suena un tono de alarma para alertarlo sobre el estado abierto.

Al presionar el botón de alarma de puerta o al cerrar la puerta o el cajón se apagará el tono. Al presionar el botón de alarma de puerta no se apagará el LED. El LED permanecerá encendido hasta que cierre la puerta o el cajón.

### 7. Bloqueo de control



Mantenga presionado el botón Control Lock durante 3 segundos para activar el Control Lock.

### 8. Red inteligente



Presione para encender o apagar Smart Grid. Mantenga presionado el botón Smart Grid durante 5 segundos para activar o desactivar el Wi-Fi.

### 9. Filtro de aire



Cuando se activa el ícono de Cambio de aire, debe cambiar el filtro de aire. Después de cambiar el filtro de aire, presione y mantenga presionado el botón Filtro de aire durante tres segundos para apagar la luz indicadora. Necesitas cambiar el filtro de aire aproximadamente cada seis meses.

### 10. Función de cambio de modo de temperatura (°F ↔ °C) Si desea convertir °F a °C o viceversa:

1. Mantenga presionado el botón de bloqueo durante 3 segundos. El ícono del candado se iluminará.
2. Mantenga presionados los botones de temperatura del congelador y temperatura del refrigerador al mismo tiempo durante 5 segundos hasta que cambie el modo de temperatura.

**NOTA:** Si el ícono de bloqueo se ilumina después de realizar esta función, mantenga presionado el botón de bloqueo durante 3 segundos para desactivar el bloqueo de control.

## CARACTERÍSTICAS INTELIGENTES

### VISIÓN DE CONJUNTO

La conectividad Kenmore Smart transforma su relación con su hogar. Puede personalizar la forma en que los productos Kenmore Smart funcionan según su horario y sus rutinas diarias, lo que facilita la vida y brinda una mayor paz de la mente. Lo hace permitiéndole vincular y administrar sus productos Kenmore Smart en una aplicación, desde un teléfono inteligente, tableta o computadora.

Este dispositivo está listo para conectarse, lo que le permite monitorearlo y controlarlo de manera remota desde su teléfono inteligente a través de la aplicación Kenmore® Smart.

Para comenzar, necesitará lo siguiente:

- Dispositivo inteligente Kenmore Elite®
- Enrutador doméstico WI-FI conectado a internet
- teléfono inteligente
- Aplicación Kenmore Smart

Para obtener más información acerca de su dispositivo Kenmore Elite® Smart, visite [www.Kenmore.com/smart](http://www.Kenmore.com/smart).

La función Smart Grid controla el uso de energía que le ayuda a ahorrar energía durante los períodos de uso pico. Tú puedes anular la función SMART GRID en cualquier momento (usando el botón o aplicación Smart Grid).

Smart Grid responde a los eventos de notificación de su compañía de servicios públicos para ejecutar tareas de alto consumo de energía solo durante las horas de menor actividad cuando la demanda eléctrica es menor. Estos eventos de notificación se conocen como señales de respuesta a la demanda (DR). Si el refrigerador recibe una señal de DR de la compañía de servicios públicos, encenderá el LED de MODO DE RED en el panel de control del refrigerador y regulará el consumo de energía de acuerdo con la señal recibida. El refrigerador responderá a las señales recibidas de la compañía de servicios públicos siempre que el dispositivo esté conectado a Internet y Smart Grid esté habilitado.

### Definiciones

**SMART LED (azul):** 

Notifica al usuario que el dispositivo está conectado a Internet.

**Smart Grid LED (blanco):** 

Notifica al usuario que el dispositivo es capaz de recibir una señal, conocida como evento de respuesta a la demanda, del sistema de administración de energía de una empresa de servicios públicos.

**GRID MODE LED (rojo):** 

Notifica al usuario que el dispositivo está reduciendo o retrasando el uso de energía en función de la señal recibida del sistema de gestión de energía de una empresa de servicios públicos. El LED permanecerá iluminado durante los precios pico críticos (CPP) y los precios en tiempo real (RTP) o durante una alta demanda de electricidad

### CONECTARSE

Necesita los siguientes dispositivos y aplicaciones para usar el

Smart Grid y otras funciones inteligentes en su refrigerador.

Dispositivos necesarios: un enrutador inalámbrico, Kenmore Elite Smart

Nevera y un dispositivo móvil.

Aplicación requerida: Kenmore Smart App.

### CONECTANDO EL REFRIGERADOR

Consulte la Guía de inicio rápido que vino con su dispositivo inteligente para obtener instrucciones detalladas sobre cómo crear una cuenta de Kenmore y configurar el dispositivo para la operación conectada desde su dispositivo móvil. Para asistencia adicional, visite <http://www.kenmore.com/smart>

**NOTA:** cuando se conecta correctamente a Internet, el El LED del ícono SMART en el panel de control de la unidad se ENCENDERÁ.

## INSTRUCCIONES PARA RED INTELIGENTE

### IMPORTANTE:

Debe conectar su dispositivo Kenmore Smart a Internet y luego registrar el dispositivo en su cuenta para usar la función Smart Grid.

Consulte la Guía de inicio rápido suministrada con el dispositivo para obtener instrucciones sobre cómo registrar su dispositivo utilizando la aplicación (aplicación) Kenmore.

El botón Smart Grid tiene dos propósitos:

1) conexión o desconexión de internet, 2) habilitar o deshabilitar / anular la respuesta de demanda del dispositivo capacidad.

**NOTA:** Este dispositivo es un dispositivo listo para conectar, que le permite monitorearlo y controlarlo de manera remota desde su teléfono inteligente a través de la aplicación Kenmore® Smart.

Para conectar el refrigerador a Internet:

Consulte la Guía de inicio rápido que vino con su smart dispositivo para obtener instrucciones detalladas sobre cómo crear un Kenmore cuenta y configuración de su dispositivo para conectado operación desde su teléfono inteligente. Esta guía de uso y cuidado contiene información e instrucciones para operar su electrodoméstico desde el panel de control del electrodoméstico. por asistencia adicional, visite <http://www.kenmore.com/> inteligente

**NOTA:** Si no se realiza la conexión después de diez minutos, el LED del botón SMART GRID parpadeante se apagará.

Operación de red inteligente:

Una vez conectado y registrado, el dispositivo es capaz de aceptar una señal de su compañía eléctrica. los la señal, conocida como Respuesta de demanda (DR), se ajustará

funcionamiento del refrigerador para reducir el consumo de energía para

un período de tiempo que va desde unos pocos minutos hasta un

Máximo de 4 horas. La fabricación de hielo se retrasará durante

esta vez. Abrir la puerta del refrigerador puede cancelar ciertas señales DR.

El LED del modo de cuadrícula (rojo) se encenderá de manera constante cuando la señal esté vigente. Para desactivar la señal y evitar una mayor aceptación de la señal, presione y suelte el Smart

Botón de cuadrícula. Tanto el modo Grid como el LED Smart Grid se apagarán. Presione y suelte el botón Smart Grid nuevamente para habilitar la capacidad de aceptación de la señal DR. El LED del botón Smart Grid se volverá a encender. El LED del modo de cuadrícula se iluminará cuando se envíe otra señal DR.

## Aviso de la FCC (para el módulo transmisor contenido en este producto)

Este equipo ha sido probado y cumple con los límites para un dispositivo digital de Clase B, de conformidad con la Parte 15 de las Reglas de la FCC. Estos límites están diseñados para proporcionar una protección razonable contra interferencias perjudiciales en una instalación residencial. Este equipo genera, usa, y puede irradiar energía de radiofrecuencia y, si no se instala y utiliza de acuerdo con las instrucciones, puede causar interferencias perjudiciales en las comunicaciones de radio. Sin embargo, no hay garantía de que la interferencia

No ocurrir en una instalación particular. Si este equipo causa interferencias perjudiciales en la recepción de radio o televisión, lo que puede determinarse apagando y encendiendo el equipo, se recomienda al usuario que intente corregir la interferencia mediante una o más de las siguientes medidas:

- Reorientar o reubicar la antena receptora.
- Aumente la separación entre el equipo y el receptor.
- Conecte el equipo a una toma de corriente en un circuito diferente de aquel al que está conectado el receptor.
- Consulte al distribuidor o una radio / TV con experiencia Técnico de ayuda.

Este dispositivo cumple con la parte 15 de las Reglas de la FCC. La operación está sujeta a las siguientes dos condiciones:

- 1) este dispositivo no puede causar interferencias perjudiciales y
- 2) este dispositivo debe aceptar cualquier interferencia recibida, incluida la interferencia que pueda causar un funcionamiento no deseado del dispositivo.

Cualquier cambio o modificación en la construcción de este dispositivo que no esté expresamente aprobado por la parte responsable del cumplimiento podría anular la autoridad del usuario para operar el equipo.

### Aviso de software de código abierto

Para obtener el código fuente contenido en este producto bajo LGPL y otras licencias de código abierto, visite <http://kenmore.com/opensource>.

Además del código fuente, todos los términos de licencia referidos, renuncias de garantía y avisos de derechos de autor están disponibles para descargar.

### Declaración de exposición a la radiación RF de la FCC

Este equipo cumple con los límites de exposición a la radiación de la FCC establecidos para un entorno no controlado. Este transmisor no debe ubicarse ni funcionar junto con ninguna otra antena o transmisor.

Este equipo debe instalarse y operarse con una distancia mínima de 20 cm (7,8 pulgadas) entre la antena y tu cuerpo. Los usuarios deben seguir las instrucciones de operación específicas para satisfacer el cumplimiento de la exposición a RF.

Especificaciones del módulo LAN inalámbrico	
Modelo	LCW-004
Rango de frecuencia	2412 to 2462 MHz
Potencia de salida (máx.)	< 30 dBm

# USO DEL REFRIGERADOR

## Panel de control de despensa



Presione el botón Seleccionar y la configuración de Temperatura cambiará en la secuencia como se muestra a continuación:

>>> Cambio secuencial de temperatura <<<



Mantenga presionado el botón de bloqueo durante 3 segundos para activar el bloqueo de control.

El icono de candado se enciende.  Lock

Mantenga presionado el botón de bloqueo durante 3 segundos para activar el bloqueo de control.

El icono de candado se enciende.

Consulte la página 73 para obtener información adicional sobre el uso de despensa.

## Panel de control del dispensador



Toque el icono de agua, hielo en cubos o hielo picado según sus necesidades.

Consulte la página 71 para obtener información adicional sobre el usuario del dispensador.

## ICEMAKER

### Encendiendo la máquina de hielo

Cada vez que se conecta el refrigerador después de desenchufarlo, icemaking se configura automáticamente en On. Para activar o desactivar la fabricación de hielo, consulte las instrucciones en Apagado de la fabricación de hielo.

**NOTA:** Siempre que la fabricación de hielo esté activada en el panel de control, si una máquina de hielo detiene la producción porque el depósito de hielo se llena, la producción reanudará la operación una vez que el depósito de hielo esté libre de hielo.

### Dispensador Icemaker Alternate On / Off

El dispensador de hielo está equipado con un botón de encendido / apagado en el panel de control interno. Puede encender o apagar la máquina de hielo presionando el botón. Cuando se enciende, la luz indicadora al lado del botón se iluminará.

### En caso de que la máquina de hielo no funcione

- ¿Esperó 12 horas después de la instalación de la línea de suministro de agua antes de hacer hielo?
- ¿Está conectada la línea de agua y abierta la válvula de cierre?
- ¿Detuvo manualmente la función de fabricación de hielo?
- ¿La temperatura del congelador es demasiado alta? Intente ajustar la temperatura del congelador más baja.

### En caso de falla de energía

En caso de una falla de energía prolongada, retire los cubitos de hielo en el depósito ya que el hielo puede derretirse y fluir hacia el dispensador de hielo y salir. Coloque el recipiente nuevamente en el ensamblaje de la máquina de hielo.

### Cerrar la fabricación de hielo

#### Importante!

Si no tiene la intención de usar cubitos de hielo por más de una semana (por ejemplo, porque te vas de vacaciones), apaga la fabricación de hielo por ese período para evitar que los cubitos de hielo se congelen juntos.

1. Para APAGAR: presione los botones de la fábrica de hielo. OFF se ilumina en la pantalla del panel de control.  
Para ENCENDER: Presione los botones de Ice Maker. ON se ilumina en la pantalla del panel de control



2. Vacíe y limpie el cubo de hielo. Para retirar el depósito de hielo del dispensador de hielo, tome la parte delantera del depósito de hielo y tire hacia adelante.

**NOTA:** Hay un asa delante del depósito de hielo del dispensador para facilitar la extracción del depósito.

3. Vuelva a colocar el cubo de hielo en su lugar.

**NOTA:** El depósito de hielo debe vaciarse cada vez que se apaga la máquina de hielo.



## MAQUINA DE HIELO AUTOMATICA (continuación)

### ⚠ RECAUCIÓN:

- La primera vez que use hielo y agua el dispensador de agua puede incluir partículas u olores provenientes de la línea de suministro de agua o el tanque de agua .
- Deseche las primeras tandas de hielo. Esto también es necesario si el refrigerador no se ha utilizado durante mucho tiempo.
- Nunca guarde las latas de bebidas u otros artículos en el depósito de hielo con el fin de enfriarlos rápidamente. Si lo hace, puede dañar la máquina de hielo o los envases pueden reventarse.
- Si el hielo esta descolorido, revise el filtro de agua y suministro de agua.  
Si el problema contin, pgase en contacto con centro de servicio. No utilice el hielo o agua hasta que se solucione el problema.
- Mantenga a los niños alejados del dispensador. Los niños pueden jugar con los controles y romperlos.
- No utilice vasos de cristal fino para recoger el hielo. Dichos contenedores pueden astillar o romper lo que resulta en fragmentos de vidrio en el hielo.
- Recoja el hielo en un vaso antes llenarlo con agua u otras bebidas.  
Salpicaduras puede producir si se sirve hielo en un vaso que ya contiene líquido.
- Nunca utilice un vaso sea demasiado estrechos o profundos. El hielo puede atascarse en el paso del hielo y el funcionamiento del refrigerador puede ser afectado.
- Mantenga el vaso a una distancia prudencial de la salida de hielo. Un vaso demasiado cerca de la salida puede impedir la salida del hielo del dispensador.
- Para evitar lesiones personales, mantenga las manos fuera de la puerta de hielo y pasaje.
- No retire la tapa del dispensador.
- Si el hielo o el agua se disparan de forma inesperada, cierre el suministro de agua y contacto con centro de servicio al 1-844-553-6667.

### CUANDO AJUSTAR LA MAQUINA DE HIELO PARA APAGARSE

- Cuando el suministro de agua sea interrumpido durante varias horas.
- Cuando se retira el depósito de hielo durante más de uno o dos minutos.
- Cuando no vaya a utilizar el frigorífico durante varios días.

**NOTA:** El depósito de hielo se debe vaciar cuando el botón de la máquina de hielo Encender / Apagar esté en la posición apagado

### PREPARACIÓN PARA VACACIONES

Ajuste el botón de ENCENDIDO / APAGADO de la máquina de hielo en APAGADO y cierre el suministro de agua al refrigerador.

Para APAGAR: Presione los botones de la fábrica de hielo. OFF se ilumina en la pantalla del panel de control.

Para ENCENDER: Presione los botones de la fábrica de hielo. ON se ilumina en la pantalla del panel de control

**NOTA:** El depósito de hielo se debe vaciar cada vez que la máquina de hielo botón Apagar / Encender se apaga .

Si la temperatura ambiente se encuentra por debajo de cero, un técnico calificado debe drenar el sistema de suministro de agua para evitar daños graves a la propiedad debido a las inundaciones causadas por unas tuberías rotas conexiones.

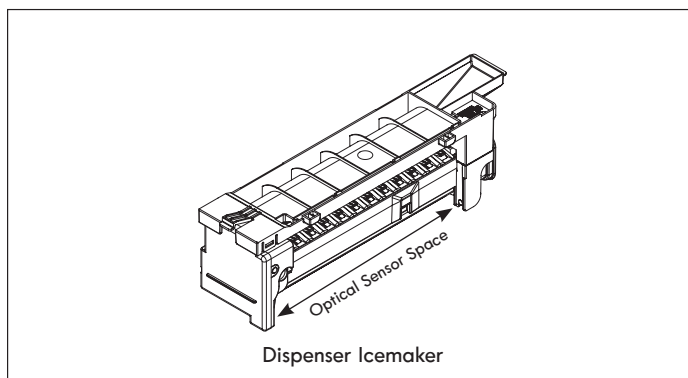


## USO DEL REFRIGERADOR

### Cómo usar la máquina de hielo automática

El dispensador de hielo producirá 12 cubos por ciclo.

- el dispensador de hielo producirá aproximadamente 216-288 cubos (20-24 ciclos al día) en un período de 24 horas, dependiendo de la temperatura del compartimento congelador, temperatura ambiente, número de puertas abiertas y otras condiciones del usuario.
- Es normal que la fábrica de hielo emita sonidos de golpes cuando los cubitos de hielo caen en el depósito de hielo
- Para evitar el mal olor, limpie regularmente el depósito de cubitos de hielo.
- Si la cantidad de hielo en el depósito de almacenamiento no es suficiente, no se puede dispensar hielo. Espere un día más o menos para hacer más hielo.
- Si el hielo no se dispensa fácilmente, asegúrese de que la salida del dispensador no esté bloqueada.
- Deseche los primeros lotes de hielo para permitir que la línea de agua se despeje. Asegúrese de que nada interfiera con el nivel del espacio del sensor óptico en la base del dispensador de hielo.



La fabricación de hielo se detendrá cuando el depósito de hielo del dispensador se llene al nivel del sensor óptico, o cuando el depósito de hielo del congelador se llene y empuja el brazo de cierre hacia arriba.

Despeje el depósito de hielo en exceso. Si retira el contenedor para limpiarlo,

Vuelva a colocar el contenedor en su lugar. La fabricación de hielo se reanudará después de que el depósito de hielo esté despejado

debajo del sensor óptico en el dispensador de hielo, o despejado para permitir el brazo de cierre para bajar en la máquina de hielo del congelador.

Es normal que se unan varios cubitos de hielo.

Si el hielo no se usa con frecuencia, los cubitos de hielo viejos se encogerán,

turbio y sabor rancio. Si no usará hielo con frecuencia, apague la fabricación de hielo.

## GUÍA DE ALMACENAMIENTO DE ALIMENTOS

Envolver o almacenar los alimentos en el refrigerador en un material hermético y resistente a la humedad al menos que se indique lo contrario. Esto evita que los olores y sabores de los alimentos se transfiera. Para los productos que caducan revisar la fecha, para asegurar su frescura.

Artículos	Cómo Usar
<b>Mantequilla o Margarina</b>	▶ Mantenga la mantequilla que está abierta en un plato cubierto o un compartimento cerrado. Cuando almacene un suministro extra, envolver en envases del congelador y congelar.
<b>Queso</b>	▶ Almacenar en el envase original hasta que esté listo para usarlo. Una vez abierto, vuelva a envolver herméticamente en papel plástico o papel de aluminio,
<b>Leche</b>	▶ Limpie los cartones de leche . Para un mejor almacenamiento, coloque la leche en el estante interior, no en estante de la puerta .
<b>Huevo</b>	▶ Almacenar en el envase original en un estante interior, no en estante de la puerta.
<b>Frutas</b>	▶ No lave o quite la cáscara de la fruta hasta que esté listo para ser utilizado. Ordenar y mantener la fruta en su envase original, o guarde en una bolsa de papel completamente cerrada en un estante de refrigerador.
<b>Vegetales con hojas</b>	▶ Retire el embalaje de almacén y corte o desgarre las zonas magulladas y descoloridas; lavar en agua fría y escurrir. Colocar en una bolsa de plástico o recipiente de plástico y guardar en el cajón de verduras.
<b>Vegetales con cáscaras (Zanahorias, pimientos)</b>	▶ Guardar en bolsas de plástico o recipiente de plástico y guardar en el cajón de vegetales.
<b>Pescado</b>	▶ Almacenar pescado fresco y mariscos en el congelador si no se consumen el mismo día de la compra. Se recomienda consumir pescado fresco y mariscos el mismo día que lo compre.
<b>Sobras</b>	▶ Cubra las sobras con una envoltura de plástico o papel de aluminio, o almacenar en recipientes de plástico con tapas herméticas.

## CÓMO CONSERVAR PRODUCTOS CONGELADOS

**NOTA:** Revisar una guía de como congelar productos o un libro de cocina confiable para más información sobre la preparación, congelación o almacenamiento de alimentos.

### Congelación

Su congelador no congelará rápidamente una gran cantidad de alimentos. No introduzca más alimentos sin congelar en el congelador que puedan congelarse dentro de las 24 horas (no más de 2 a 3 lb. De alimentos por pie cúbico de espacio en el congelador). Deje suficiente espacio en el congelador para que el aire circule alrededor de los paquetes. Tenga cuidado de dejar suficiente espacio en la parte delantera por lo que la puerta cierre.

Los tiempos de almacenamiento variarán de acuerdo con la calidad y el tipo de alimento, el tipo de embalaje o envoltura usada (Cómo hermeticé y mantener los productos sin humedad) y la temperatura de almacenamiento. Cristales de hielo dentro de un paquete sellado son normales; esto simplemente significa que la humedad en el alimento y el aire en el interior del paquete se han condensado, creando cristales de hielo .

**NOTA:** Deje que los alimentos calientes se enfríen a temperatura ambiente durante 30 minutos, y luego empaquetar y congelar. Al enfriar los alimentos calientes antes de congelarlos ahorra energía.

### Embalaje

Una congelación exitosa depende de un embalaje adecuado. Cuando se cierra y se sella los paquetes, no se debe permitir que aire o humedad entre o salga del paquete. Si esto sucede, usted podría obtener olor en los alimentos y la transferencia de sabores dentro del refrigerador y también se puede secar los alimentos congelados.

### Recomendaciones de empaque:

- Contenedores de plástico rígido con tapas herméticas
- Frascos de cristal con tapas que se sellen y se puedan congelar
- Papel de aluminio de alta resistencia
- Papel de material plástico
- Envolturas de plástico no permeable
- Bolsas de plástico que se sellen al cerrar. Siga las instrucciones del paquete o envase para procedimientos de congelación adecuados.

### No use

- Envolturas de pan
- Recipientes de plástico que no son polietileno
- Recipientes sin tapas herméticas
- El papel encerado o envoltura para congelar recubierto de cera
- Envoltura semipermeable delgada,

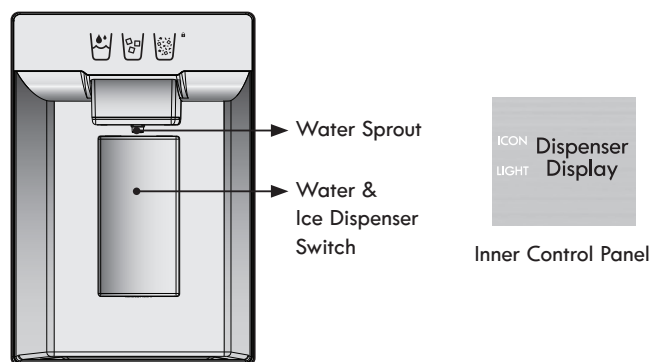
**⚠ PRECAUCIÓN:** No mantenga latas de bebidas o envases de plástico para alimentos en el congelador; estos pueden romperse o explotar si se congelan.

## SECCIÓN DEL REFRIGERADOR

### DISPENSADOR DE AGUA O HIELO

Para dispensar agua o hielo, presione el botón Seleccionar agua o hielo en el panel de control y presione en la palanca del dispensador con el costado de su vaso. Asegúrese de colocar la taza cerca del pico de agua

**NOTA:** El dispensador está equipado con una luz que se enciende cuando se presiona la palanca del dispensador y se enciende el ícono de la luz del dispensador.



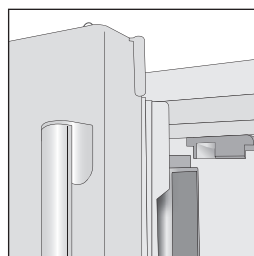
**NOTA:** De vez en cuando puede que caiga hielo fuera del vaso mientras que se dispense. Retire lentamente el vaso de la palanca del dispensador antes de que esté lleno para ayudar a evitar que el hielo se derrame. También se podría mezclar hielos no picados cuando dispensa con Crushed Ice.

**⚠️ ADVERTENCIA:** No ponga sus dedos hasta la abertura de salida del hielo . Si lo hace, puede provocar lesiones graves .

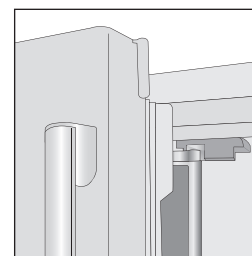
**⚠️ PRECAUCIÓN:** No dispense hielo en porcelana o vasos de cristal finas . Porcelana o cristal pueden romperse .

### Barra de la Puerta Plegable (Barra Parteluz)

- Al cerrar la puerta del refrigerador izquierda , la barra de parteluz dobla detrás de la puerta derecha del refrigerador , formando un sello entre las puertas del refrigerador.
- Al abrir la puerta izquierda del refrigerador , la barra de parteluz se pliega de nuevo a la puerta de la izquierda automáticamente.



Apertura : parteluz barra se dobla hacia atrás.



Ceradura: parteluz barra se dobla a la derecha.

- La Barra de parteluz se puede dañar al cerrar si se ha extendido a la derecha, mientras que la puerta de la izquierda está abierta.

**⚠️ PRECAUCIÓN:** Antes de cerrar la puerta izquierda del refrigerador, asegúrese de que la barra de parteluz este plegada hacia atrás y en la posición de la puerta izquierda o daños al refrigerador puede resultar.

# USO DEL REFRIGERADOR

## ESTANTES DEL REFRIGERADOR

Los estantes del refrigerador son ajustables para satisfacer sus necesidades de almacenamiento. Su modelo puede tener estantes de vidrio o de alambre.

Ajuste de los estantes a diferentes alturas dependiendo en el tamaño de los artículos, esto hará más fácil la búsqueda de los artículos que desea. Al hacerlo, también se reducirá la cantidad de tiempo que la puerta del refrigerador está abierta y permitirá ahorrar energía.

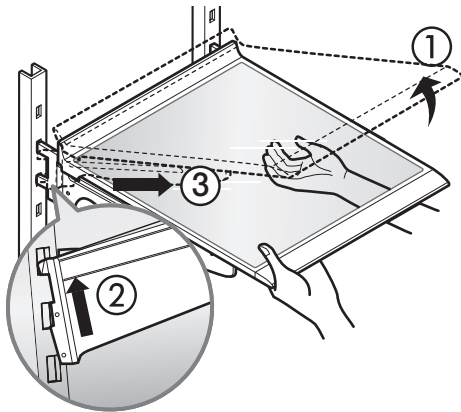
**IMPORTANTE:** no limpie con agua caliente los estantes de vidrio mientras están fríos. Los estantes pueden romperse si se exponen a cambios bruscos de temperatura o impacto.

**⚠ Precaución:** estantes de vidrio son pesados . Tenga mucho cuidado al sacarlos.

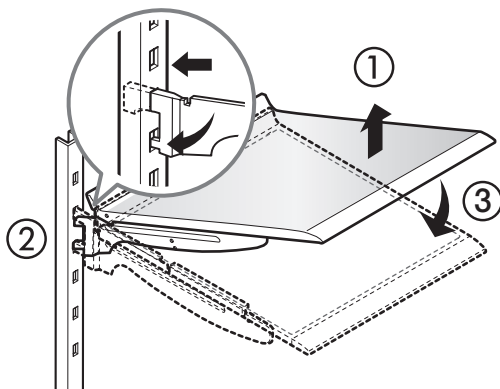
### Los estantes de ajuste (en el carril)

Sacar las bandejas desde la posición de fábrica y póngalos en la posición que desee.

**Para remover una repisa:** Levante el frente de la repisa con una mano y con la otra mano empuje hacia arriba en la parte posterior de la repisa para soltar los ganchos que fijan la repisa e las ranuras de fijación. Halar la repisa hacia fuera.



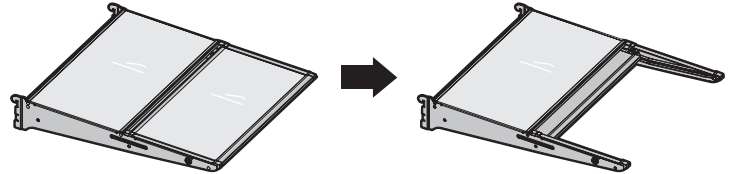
**Para reinstalar una repisa:** Con El frente de la repisa ligeramente angulado hacia arriba , enganche los ganchos en la parte posterior en las ranuras de fijación de la repisa, y a continuación baje la repisa en posición.



**⚠ PRECAUCIÓN:** asegúrese que los estantes están al mismo nivel que de un lado a otro. El no hacerlo puede resultar en la comida caigan del estante o se derramen.

### Estante de vidrio deslizante

Para crear espacio para el almacenamiento de artículos altos, tome el borde de la mitad frontal del estante y deslice hacia abajo y debajo de la mitad trasera del estante.



### ESTANTE ANCHO DESLIZANTE

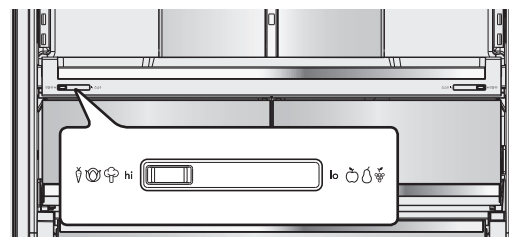
El amplio estante deslizante le permite recuperar fácilmente los artículos almacenados en él en la parte posterior del compartimiento del refrigerador. Ambas puertas del refrigerador deben estar abiertas para deslizar el estante hacia afuera. Los controles de humedad para los cajones de verduras están ubicados a cada lado del estante.

### CAJON CON CONTROL DE HUMEDAD

El cajón de verduras y frutas proporcionan un sabor fresco, ya que permite controlar fácilmente la humedad en el interior del cajón.

Se puede controlar la cantidad de humedad en el en el cajón hermético, ajustando el control en cualquier posición entre verduras y frutas.

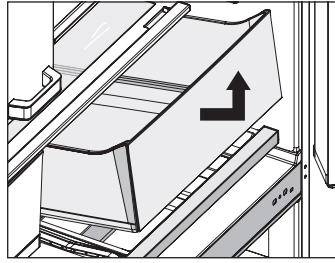
- Coloque el control de humedad en “hi” para mantener la humedad del aire en el cajón, para un mejor almacenamiento frescos de vegetales de hoja.
- Coloque el control de humedad en “lo” para liberar el aire húmedo del cajón para un mejor almacenamiento de la fruta. El control para cada cajón se encuentra justo encima del cajón en el estante deslizante ancho.



# USO DEL REFRIGERADOR

## EXTRACCIÓN DE LOS CAJONES DE HUMEDAD CONTROLADA

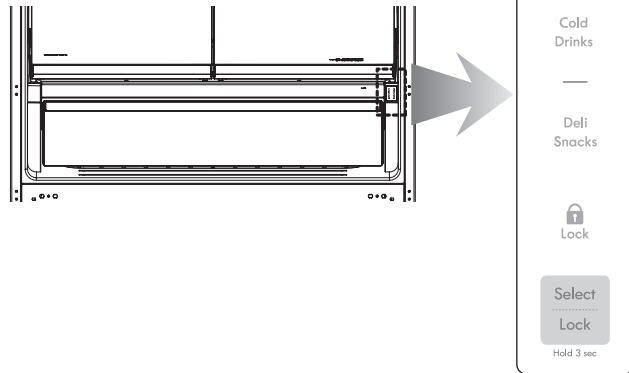
1. Para quitar, jale el cajón en toda su extensión.
2. Levante la parte delantera del recipiente, luego tire de él hacia afuera.
3. Para instalar, incline ligeramente hacia arriba la parte frontal, inserte el cajón en el bastidor y empujar de nuevo en su lugar.



## CAJÓN DE DESPENSA CON TEMPERATURA CONTROLADA

El cajón de despensa con temperatura controlada proporciona espacio de almacenamiento con un control de temperatura variable que puede mantener el compartimento más frío que la sección del refrigerador. Este cajón se puede utilizar para bandejas de fiesta grandes, artículos de delicatessen, y bebidas (Este cajón no debe usarse para vegetales que requieren alta humedad).

Presione el botón Seleccionar para elegir entre carne y mariscos, bebidas frías, refrigerios o vino frío. Para bloquear su selección, mantenga presionado el botón Bloquear durante 3 segundos. Para desbloquear, mantenga presionado durante 3 segundos nuevamente.



### Para retirar el cajón de la despensa para limpiar

1. Abra ambas puertas del refrigerador por completo.
2. Tire del cajón de la despensa hasta su extensión completa.
3. Incline el frente del cajón ligeramente hacia arriba y extráigalo del compartimento.
4. APara reemplazar, incline el frente del cajón ligeramente hacia arriba y deslícelo de nuevo a su lugar. Al insertar el cajón, asegúrese de que los rodillos en la parte posterior del cajón encajen sobre los rodillos en la parte frontal del compartimento.

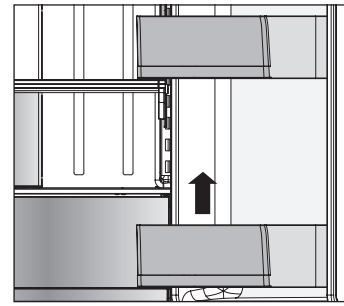
## COMPARTIMENTOS DE LA PUERTA

Los compartimentos en la puerta son extraíbles para facilitar la limpieza y el ajuste

1. Para quitar los compartimentos, simplemente levante el compartimento hacia arriba y tire hacia afuera.
2. Para volver a colocarlo, deslícelo sobre el soporte deseado y empuje hacia abajo hasta que encaje en su lugar.

**Nota:** Algunos compartimentos sólo encajan en un solo lugar.

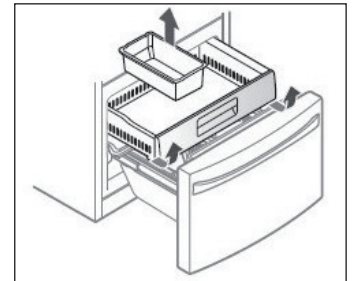
**⚠ PRECAUCIÓN:** No llene en exceso o coloque artículos muy pegados en los compartimentos en la puerta. Si lo hace, puede provocar daños los artículos o lesiones personales si los artículos se retiran con una fuerza excesiva.



## SECCION DE CONGELADOR

### CAJÓN DE CONGELACIÓN DE CONGELADOR

1. Para retirarlo, tire del congelador cajón a extensión completa. Levante el depósito de hielo si está presente. Incline la parte frontal del cajón del congelador extraíble hacia arriba y luego levante el cajón.



**⚠ PRECAUCIÓN:** Peligro de pellizco! Mantenga las manos y los pies alejados de la parte inferior del cajón del congelador al abrir y cerrar.

2. Para volver a colocar, sostenga el cajón del congelador extraíble con la parte posterior en ángulo hacia abajo. Inserte los rodillos traseros sobre el borde delantero de los corredores integrados en los lados del gabinete del congelador. Deslice el cajón hacia atrás y en su lugar. Vuelva a colocar el depósito de hielo en el cajón del congelador extraíble.

**⚠ ADVERTENCIA:** cuando se retira el cajón extraíble, hay suficiente espacio en el cajón inferior del congelador para que un niño o una mascota se metan dentro. Para evitar el riesgo de atrapamiento o asfixia accidental de niños y mascotas, NO permita que los niños o las mascotas toquen o se acerquen al cajón inferior del congelador.

# CONEXION DE LA LINEA DE AGUA

## ANTES DE USAR

Esta instalación de la tubería de agua no está cubierta por la garantía del refrigerador. Siga estas instrucciones cuidadosamente para minimizar el riesgo de daños al producto .tw

El Aire en la tubería (un sonido fuerte en la tubería) de la casa puede causar daño a las partes del refrigerador y puede dar lugar a fugas de agua o inundaciones. Llamar a un Plomero cualificada para corregir el problema.

**⚠ PRECAUCIÓN:** Para evitar quemaduras y daños en el producto , sólo conecte la línea de agua del refrigerador a un suministro de agua fría.

**IMPORTANTE:** Si usa el refrigerador antes de conectar la línea de agua, asegúrese de que la máquina de hielo está apagado en el panel de control.

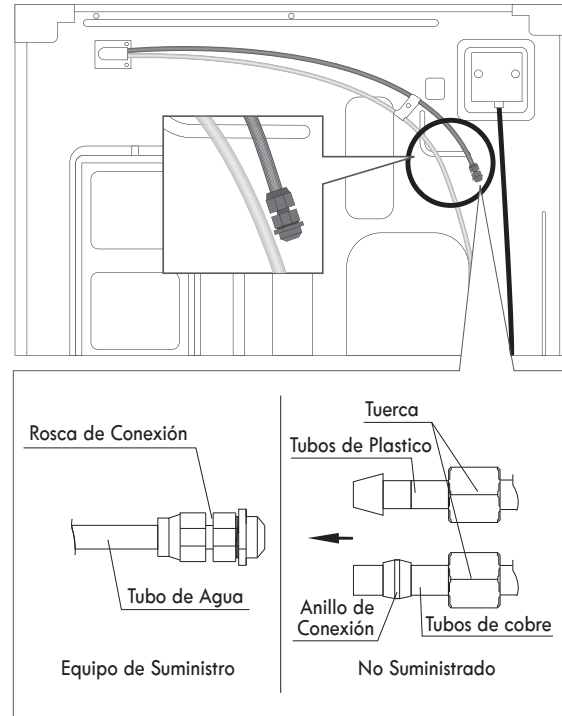
**⚠ PRECAUCIÓN:** No instale el tubo de la máquina de hielo en las zonas donde las temperaturas caen por debajo de cero.

## PRESIÓN DEL AGUA

La presión del agua debe entre las 30 y 125 psi o 207 a 862 kPa o 2.1 a 8.8 kgf / cm<sup>2</sup> . Si el refrigerador está instalado en un área con baja presión de agua “ por debajo de 30 psi “ , se puede instalar una bomba de refuerzo para compensar la baja presión.

## EQUIPO DE SUMINISTRO

Conexión de la línea de agua al refrigerador.



(Las piezas no suministradas están disponibles en la mayoría de los departamentos o tiendas de hardware.)

1. Conecte la línea de agua al rosca de conexión.
  - Si está utilizando tubería de cobre (no suministrado), deslice la tuerca la rosca de conexión (no suministrado) y la férula (no suministrado) en la tubería de cobre.
  - Si está utilizando un tubo de plástico (no suministrado) , insertar la finalización moldeado de la tubería de plástico en el rosca de conexión.
2. Apriete la tuerca de compresión en la rosca de conexión.
3. Girar el agua y revise si hay fugas.

## ⚠ ADVERTENCIA

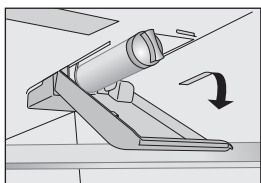
Para reducir el riesgo asociado con la ingestión de contaminantes: No use con agua que sea microbiológicamente insegura o que de calidad sea desconocida sin una desinfección adecuada antes y después del sistema. Sistema certificado para la reducción bacterias puede ser usado en agua desinfectada que puede contener filtro para bacterias. Número Establecimiento EPA 10350 - MN - 005



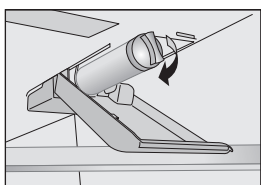
# FILTRO DE AGUA

## Installation

1. Desconecte el suministro de agua del refrigerador.
2. Retire la tapa de bloqueo para la instalación del ltrro. (El dispensador de hielo y el agua también se pueden utilizar sin un ltrro de agua, pero se debe usar con la tapa de bloqueo.)
3. Retire la tapa de bloqueo girando 1/2 en sentido antihorario. Guarde la tapa de bloqueo para un posible uso futuro. Instale siempre la tapa de bloqueo si no hay un filtro en su lugar.



4. Inserte el filtro de agua y gire 1/2 vuelta en sentido horario para asegurarlo en su lugar. Levante la tapa del filtro de agua y vuelva a colocarla en su lugar.



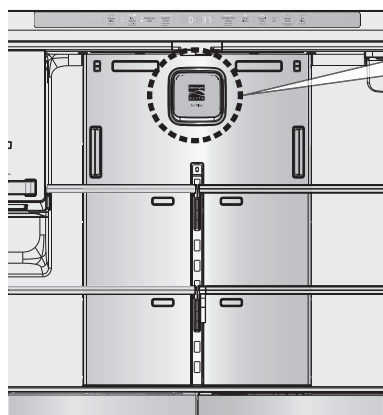
Antes de continuar, use un paño para limpiar las gotas de agua que puedan haberse caído.

5. Dispense agua en el transcurso de 5 minutos en ciclos de 30 segundos ENCENDIDO y 60 segundos APAGADO. No dispense agua continuamente durante 5 minutos.

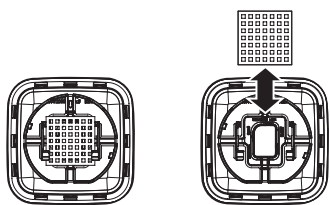
**NOTA:** Realice este paso cada vez que instale un nuevo filtro de agua.

\* Se suministra un filtro con el refrigerador. Se puede comprar un filtro de repuesto llamando al 1-833-946-4239.

## Air Filter



1. Gire la base de la tapa del filtro en sentido antihorario y tire hacia usted para eliminarlo.
2. Deslice el filtro hacia arriba para quitarlo. Deslice el filtro hacia abajo para insertarlo.
3. Inserte la base de la cubierta del filtro hacia la cubierta múltiple, y gírelo en sentido horario.
4. Después de cambiar el filtro de agua o el filtro de aire, asegúrese de presionar el botón Filtro de agua o Filtro de aire durante 3 segundos apague la luz indicadora.



**NOTA:** El filtro de aire debería ser cambiado cada 6 meses. Se recomienda cambiar el filtro de agua con mismo tiempo como el filtro de aire.

## Información referente al filtro de agua

- Descarge el sistema de agua si el aparato no ha estado en uso durante un largo período de tiempo, o si el hielo / agua tiene un sabor u olor desagradable. Para ello, suministre el agua a través del dispensador de agua durante varios minutos. Si el sabor u olor desagradable persiste, sustituya el ltrro.
- Para proteger del hielo, retire el cartucho de ltrro si espera que la temperatura descienda por debajo de cero.
- Si la presión surge podría ocurrir en la tubería de agua, No instale el ltrro de agua sin un eliminador de picos de tensión adecuado. Póngase en contacto con un experto de instalación de no estar seguro si los aumentos repentinos de presión ocurren en la tubería de agua.
- Después de instalar un nuevo ltrro: Descarte el hielo producido en las primeras 24 horas después de la conexión.
- Si el hielo no ha sido retirado por un periodo largo de tiempo, vaciar el depósito de cubitos de hielo y deseche todo el hielo producido durante las próximas 24 horas.

## ⚠ ADVERTENCIA

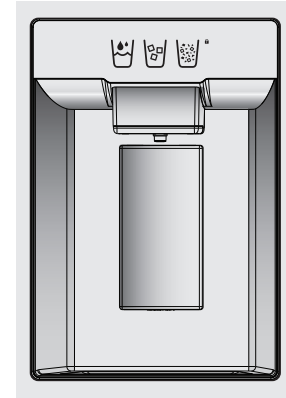
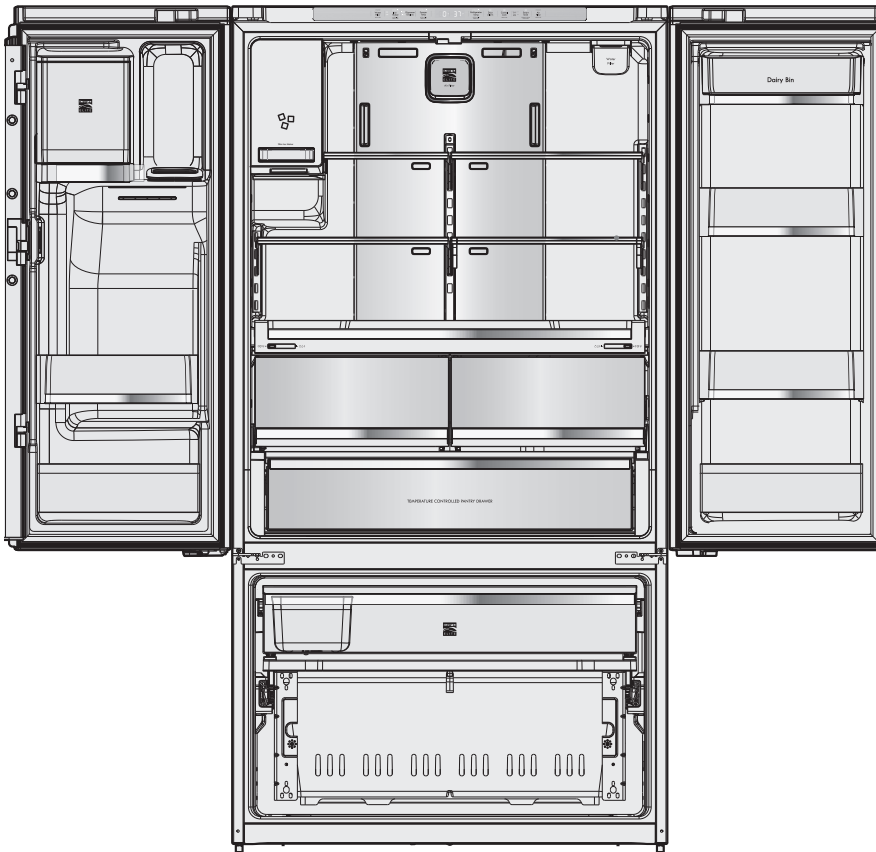
Para reducir el riesgo asociado a la ingestión de contaminantes: No utilice agua que no sea segura microbiológicamente o cuya calidad se desconozca sin una desinfección adecuada antes o después del sistema. Los sistemas certificados para la reducción de quistes puede utilizarse en aguas desinfectadas que puedan contener quistes ltrables. Número de establecimiento de 10350-MN-005

## ⚠ PRECAUCIÓN

Para reducir el riesgo asociado con daños materiales debidos a fugas de agua:

- **Lea y cumpla** las instrucciones de uso del ltrro de agua antes de la instalación y uso de este sistema.
- La instalación y uso **DEBE** cumplir con todas las normativas de fontanería estatales y locales.
- **No** instalar si la presión del agua excede los 125psi (827 kPa). Póngase en contacto con un fontanero profesional si no está seguro de cómo comprobar la presión del agua.
- **No** instalar en sistemas donde se pueda producir el efecto de golpe de ariete. Si existe una situación de golpe de ariete en la instalación, debe instalar un amortiguador de golpe de ariete. Póngase en contacto con un fontanero profesional si no está seguro con un fontanero profesional si no está seguro.
- **No** instalar en tuberías de suministro de agua caliente. La temperatura máxima de funcionamiento del agua de este sistema de ltrado de agua es de 38 °C (100 °F).
- **Proteja el filtro de agua de la congelación.** No use el frigorífico en condiciones ambientales por debajo de los 13 °C (55 °F). Drene el ltrro de agua cuando almacene la unidad en temperaturas inferiores a los 4,4 °C (40 °F).
- El ltrro de agua desechable se debe reemplazar cada seis meses, a la capacidad nominal, o si se produce una significativa reducción del flujo.

# CUIDADO Y LIMPIEZA

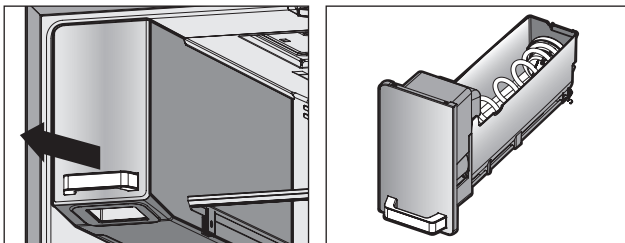


## 1. Dispensador de agua

- Retire el filtro y limpie la bandeja de agua con una esponja o paño absorbente.

## 2. Fábrica de hielo

- Extracción: extraiga y retire el cubo de hielo. Asegúrese de que la puerta del refrigerador esté completamente abierta antes de sacar el cubo de hielo.
- Reemplazo: empuje el cubo de hielo completamente hacia atrás sobre los soportes hasta que encaje en su posición. Si no puede empujar el recipiente completamente hacia atrás, gire el tornillo sin fin un cuarto de vuelta e insértelo nuevamente. Asegúrese de que la puerta del refrigerador esté completamente abierta antes de reemplazar el cubo de hielo.

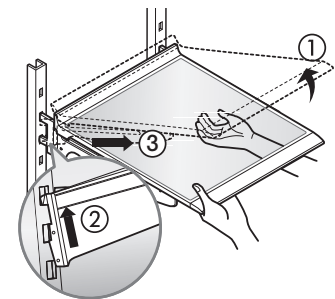


## 3. Congelador & Contenedor

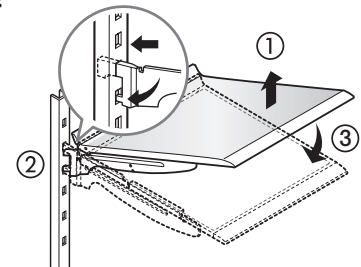
- Sostenga ambos extremos y tire hacia arriba.

## 4. Repisas del refrigerador

Para remover una repisa: Levante el frente de la repisa con una mano y con la otra mano empuje hacia arriba en la parte posterior de la repisa para soltar los ganchos que fijan la repisa e las ranuras de fijación. Halar la repisa hacia fuera.



Para reinstalar una repisa: Con El frente de la repisa ligeramente angulado hacia arriba, enganche los ganchos en la parte posterior en las ranuras de fijación de la repisa, y a continuación baje la repisa en posición.



**⚠ PRECAUCIÓN:** Asegúrese de que las repisas estén niveladas de un lado al otro. De lo contrario, la repisa se caera o los alimentos se derramaran.



## SUSTITUCIÓN DE LA BOMBILLA

### **ADVERTENCIA**

#### **Riesgo de descargas eléctricas**

Antes de reemplazar la bombilla de un compartimento, desenchufe el refrigerador o corte la corriente en el disyuntor o en la caja de fusibles.

**NOTA:** Antes de reemplazar la bombilla de un compartimento, desenchufe el refrigerador o corte la corriente en el disyuntor o en la caja de fusibles.

## INTERRUPCIONES DE ALIMENTACIÓN

1. Si la interrupción de la corriente durará 24 horas o menos, mantenga todas las puertas del refrigerador cerradas para que los alimentos permanezcan fríos y congelados.
2. Si la interrupción de la corriente durará más de 24 horas, saque todos los alimentos congelados y almacénelos en un arcón congelador.

## CUANDO SE VA DE VACACIONES

Si decide dejar encendido el refrigerador mientras está fuera, siga estos pasos para preparar el refrigerador antes de irse.

1. Consuma los alimentos perecederos y congele los demás.
2. Apague la máquina de hielo y vacíe el depósito de hielo.

Si decide apagar el refrigerador antes de partir, siga estos pasos.

1. Saque todos los alimentos del refrigerador.
2. Limpie el refrigerador y séquelo a fondo.
3. Con cinta adhesiva, coloque bloques de madera o goma en la parte superior de ambas puertas para mantenerlas lo sucientemente abiertas para que pueda pasar el aire. Esto evitará la aparición de moho y malos olores.

## CUANDO SE MUDA

Cuando vaya a trasladar su refrigerador a una nueva casa, siga estos pasos para prepararlo para la mudanza.

1. Saque todos los alimentos del refrigerador y empaquete todos los alimentos congelados en hielo seco.
2. Desenchufe el refrigerador.
3. Lávelo y séquelo a fondo.
4. Retire todos los componentes extraíbles, envuélvalos bien y, con cinta adhesiva, embálelos juntos para que no se muevan ni traqueteen durante la mudanza. Consulte la sección Uso del refrigerador para obtener instrucciones sobre componentes extraíbles.
5. En función del modelo, levante la parte delantera del refrigerador para que ruede con más facilidad ○ BIEN atornille los pies de nivelación para que no rayen el suelo. Consulte la sección **Cierre de las puertas**.

Cuando llegue a su nueva casa, vuelva a colocar todo en su sitio y consulte la sección **Instalación del refrigerador** para obtener las instrucciones de preparación.

# GUÍA DE SOLUCIÓN DE PROBLEMAS

## ENFRIADO

Problema	Causas posibles	Soluciones
Las secciones del refrigerador y del congelador no enfrían.	Cable de alimentación desenchufado. El refrigerador está configurado en modo demo.	Enchufe en un tomacorriente de 3 clavijas conocido y debidamente conectado a tierra. El modo Demo permite que las luces y la pantalla de control funcionen normalmente mientras deshabilita el enfriamiento para ahorrar energía mientras se encuentra en el piso de la sala de exhibición. Consulte la sección Configuración de los controles para obtener instrucciones sobre cómo deshabilitar el modo de demostración.
	El refrigerador está en el ciclo de descongelación.	Durante el ciclo de descongelación, la temperatura de cada compartimiento puede aumentar ligeramente. Espere 30 minutos y una vez que se haya completado el ciclo de descongelación, verifique que la temperatura correcta se haya restablecido.
	El refrigerador se instaló recientemente.	Puede tomar hasta 24 horas para que cada compartimiento alcance la temperatura deseada.
	El refrigerador se trasladó recientemente.	Si el refrigerador estuvo fuera de uso por mucho tiempo, o si estuvo guardado de costado, es necesario que se lo posiciones de manera vertical por 24 horas antes de conectarlo a la energía eléctrica.
El sistema de enfriado funciona por demasiado tiempo.	El refrigerador ha reemplazado a un modelo más antiguo.	Los refrigeradores modernos requieren más tiempo de funcionamiento pero consumen menos energía gracias a una tecnología más eficiente.
	El refrigerador se acaba de enchufar o la electricidad se acaba de restablecer.	El refrigerador puede tardar hasta 24 horas en enfriarse completamente.
	La puerta se abre a menudo o se acaba de introducir una gran cantidad de alimentos/ alimentos calientes.	Cuando se introducen alimentos o se abren las puertas, aumenta la temperatura del refrigerador, lo que obliga al compresor a funcionar por más tiempo para volver a enfriar el refrigerador. Para ahorrar energía, intente sacar todo lo que necesite del refrigerador de una sola vez, mantenga los alimentos organizados para que resulte fácil encontrarlos, y cierre la puerta en cuanto saque el alimento. (Consulte la Guía para el almacenamiento de alimentos).
	Las puertas no están completamente cerradas.	Empuje rrememente para cerrar las puertas. Si éstas no se cierran por completo, consulte el apartado "Las puertas no se cierran completamente o quedan abiertas en la sección Componentes y Características de la Guía de resolución de problemas.
	El refrigerador está instalado en un lugar caluroso.	El compresor funcionará durante más tiempo en condiciones de calor. En la temperatura ambiente normal (70 ° F) se esperan su compresor trabaje aproximadamente 40% a 80 % del tiempo . En condiciones más cálidas, es de esperar que trabaje más frecuente. El refrigerador no debe ser operado por encima de 110 ° F.
	La tapa posterior/ el condensador está obstruida/o.	Use un aspirador con un accesorio para limpiar las bobinas del condensador y las rejillas de ventilación. No retire el panel que cubre el área de las bobinas del condensador.

# GUÍA DE SOLUCIÓN DE PROBLEMAS

## ENFRIADO

Problema	Causas posibles	Soluciones
La sección del REFRIGERADOR o del CONGELADOR está demasiado caliente.	El refrigerador se instaló recientemente.	Puede tomar hasta 24 horas para que cada compartimiento alcance la temperatura deseada.
	Las puertas se abren a menudo o por largos períodos de tiempo.	Cada vez que las puertas se abren a menudo o por largos períodos de tiempo, ingresa aire caliente y húmedo al compartimiento. Esto aumenta la temperatura y el nivel de humedad dentro de compartimiento. Para disminuir el efecto, reduzca la frecuencia y duración de apertura de la puerta.
	La unidad está instalada en un lugar caluroso.	No se debería usar el refrigerador si la temperatura supera los 43°C (110°F).
	Se agregó una gran cantidad de alimentos o alimentos calientes al alguno de los compartimientos.	Agregar alimentos calientes al compartimiento, con lo cual se necesita que el sistema de enfriado comience a funcionar. Dejar que la comida caliente se enfríe a temperatura ambiente antes de ponerla en el refrigerador reducirá dicho efecto.
	Las puertas no cierran correctamente.	Consulte el apartado “Las puertas no se cierran completamente o quedan abiertas” en la sección Componentes y Características de la Guía de resolución de problemas.
	El control de temperatura no es el adecuado.	Si la temperatura no está lo suficientemente fría, ajuste el control de a un punto a la vez y espere a que la temperatura se estabilice. Consulte la sección Ajuste de los controles para obtener mayor información.
	El ciclo de descongelación se ha completado recientemente.	Durante el ciclo de descongelación, la temperatura de cada compartimiento puede aumentar ligeramente y se puede formar condensación en la pared trasera. Espere 30 minutos y una vez que se haya completado el ciclo de descongelación, verifique que la temperatura correcta se haya restablecido.
Acumulación de humedad en el interior	Las puertas se abren seguido o por largos períodos de tiempo.	Cada vez que las puertas se abren seguido o por largos períodos de tiempo, ingresa aire caliente y húmedo al compartimiento. Esto aumenta la temperatura y el nivel de humedad dentro de compartimiento. Para disminuir el efecto, reduzca la frecuencia y duración de apertura de la puerta.
	Las puertas no cierran correctamente.	Consulte el apartado “Las puertas no se cierran correctamente” en la sección Guía para la solución de problemas.
	El clima es húmedo.	El clima húmedo hace que más humedad ingrese a los compartimientos cuando se abren las puertas, provocando condensación o congelación. Mantener un nivel razonable de humedad en el hogar ayudará a controlar la cantidad de humedad que ingresa en los compartimientos.
	El ciclo de descongelación se acaba de completar.	Durante el ciclo de descongelación, la temperatura de cada compartimiento puede aumentar ligeramente y se puede formar condensación en la pared trasera. Espere 30 minutos y una vez que se haya completado el ciclo de descongelación, verifique que la temperatura correcta se haya restablecido.
	Los alimentos no están empaquetados correctamente.	Los alimentos destapados o desenvueltos y los envases húmedos pueden provocar la acumulación de humedad dentro de cada compartimiento. Limpie y seque todos los envases, y almacene los alimentos en empaques sellados para prevenir la condensación y la congelación.

# GUÍA DE SOLUCIÓN DE PROBLEMAS

## ENFRIADO/ HIELO Y AGUA

Problema	Causas posibles	Soluciones
Los alimentos se congelan en el compartimiento del refrigerador.	Alimentos con alto contenido de agua fueron colocados cerca de la ventilación de aire.	Reubique los alimentos con alto contenido de agua lejos de las ventilaciones de aire.
	El control de temperatura del refrigerador está incorrectamente ajustado.	Si la temperatura está demasiado fría, ajuste el control de a un punto a la vez y espere a que la temperatura se estabilice. Consulte la sección Ajuste de los controles para obtener mayor información.
	El refrigerador está instalado en un lugar frío.	Cuando el refrigerador funciona a una temperatura menor a los 5°C (41°F), los alimentos pueden congelarse en el compartimiento del refrigerador. No se debería usar el refrigerador si la temperatura es inferior a los 13°C (55°F).
Se forman cristales de hielo o escarcha en los alimentos congelados (fuera de los paquetes).	La puerta se abre seguido o por largos períodos de tiempo.	Cada vez que las puertas se abren a menudo o por largos períodos de tiempo, ingresa aire caliente y húmedo al compartimiento. Esto aumenta la temperatura y el nivel de humedad dentro de compartimiento. La humedad produce congelación y condensación. Para disminuir el efecto, reduzca la frecuencia y duración de apertura de la puerta.
	La puerta no se cierra correctamente.	Consulte el apartado “Las puertas no se cierran completamente o quedan abiertas” en la sección de la Guía de resolución de problemas.
La sección del REFRIGERADOR o del CONGELADOR está demasiado fría.	Los ajustes de control de temperatura son incorrectos.	Si la temperatura está demasiado fría, ajuste el control de a un punto a la vez y espere a que la temperatura se estabilice. Consulte la sección Ajuste de los controles para obtener mayor información.
Se forman cristales de hielo o escarcha en los alimentos congelados (dentro de paquetes sellados).	La condensación proveniente de los alimentos con alto contenido de agua provoca la congelación en el interior del paquete del alimento.	Esto es normal en alimentos con alto contenido de agua.
	Los alimentos se han dejado en el congelador por un largo tiempo.	No almacene alimentos con alto contenido de agua en el congelador durante mucho tiempo.
La máquina de hielo no hace suficiente hielo.	La necesidad de hielo excede la capacidad de almacenamiento de hielo.	El fabricante de hielo podrá producir aproximadamente 216-288 cubos en un período de 24 horas.
	El suministro de agua del hogar no está conectado, la válvula no está completamente encendida, o la válvula está obstruida.	Conecte el refrigerador al suministro de agua fría con adecuada presión y abra completamente la válvula de corte de agua. Si el problema persiste, puede ser necesario contactar a un plomero.
	El filtro de agua está agotado.	Se recomienda reemplazar el filtro de agua: <ul style="list-style-type: none"> <li>• Aproximadamente cada seis meses.</li> <li>• Cuando se encienda el indicador del filtro del agua.</li> <li>• Cuando disminuya el caudal del dispensador de agua.</li> <li>• Cuando los cubitos de hielo sean más pequeños de lo normal.</li> </ul>
	Baja presión de suministro de agua en el hogar.	Nota : la presión del agua debe entre las 30 y 125 psi o 207-862kPa o 2,1 a 88 kgf / cm <sup>2</sup> . Si el refrigerador está instalado en un área con baja presión de agua abajo de 30 psi, se puede instalar una bomba de presión de refuerzo para la baja presión.
	Se utilizar un sistema de filtración de agua de ósmosis inversa.	Los sistemas de filtración de agua de ósmosis inversa pueden reducir la presión de agua por debajo del mínimo y provocar problemas en la máquina de hielo. (Consulte la sección Presión del agua).
	La tubería que conecta el refrigerador al suministro del hogar está retorcida.	La tubería se puede retorcer cuando el refrigerador se mueve durante la instalación o limpieza, lo que provoca un flujo de agua reducido. Enderece o repare el conducto de suministro del agua y arréglole a fin de prevenir futuras torceduras.

# GUÍA DE SOLUCIÓN DE PROBLEMAS

## HIELO Y AGUA

Problema	Causas posibles	Soluciones
La máquina de hielo no hace suficiente hielo (continuación).	Las puertas se abren seguido o por largos períodos de tiempo.	Si las puertas de la unidad se abren a menudo, el aire ambiental calentará el refrigerador e impedirá que la unidad pueda mantener la temperatura establecida. Para ayudar a resolver este problema puede bajar la temperatura del refrigerador, además de no abrir la puerta con tanta frecuencia.
	Las puertas no están completamente cerradas.	Si las puertas no se cierran correctamente, la fabricación de hielo se verá afectada. Para obtener mayor información, consulte el apartado “Las puertas no se cierran completamente o quedan abiertas” en la sección Componentes y Características de la Guía de resolución de problemas.
	El ajuste de temperatura del congelador es demasiado cálido.	La temperatura recomendada para el compartimento del congelador para una fabricación normal de hielo es de $-18^{\circ}\text{C}$ ( $0^{\circ}\text{F}$ ). Si la temperatura del congelador es superior, la fabricación de hielo se verá afectada.
Se dispensa agua lentamente.	El filtro de agua está agotado.	Se recomienda reemplazar el filtro de agua: <ul style="list-style-type: none"> <li>• Aproximadamente cada seis meses.</li> <li>• Cuando se encienda el indicador del filtro de agua.</li> <li>• Cuando disminuya el caudal del dispensador de agua.</li> <li>• Cuando los cubitos de hielo sean más pequeños de lo normal.</li> </ul>
	Baja presión de suministro de agua en el hogar.	Nota : la presión del agua debe estar entre las 30 y 125 psi o 207-862kPa o 2,1 a 88 kgf / cm <sup>2</sup> . Si el refrigerador está instalado en un área con baja presión de agua abajo de 30 psi, se puede instalar una bomba de presión de refuerzo para la baja presión.
No se dispensa hielo.	Las puertas no están completamente cerradas.	El dispensador de hielo producirá aproximadamente 216-288 cubos en un período de 24 horas. La máquina de hielo del congelador producirá aproximadamente de 50 a 70 cubos en un período de 24 horas.
	Uso poco frecuente del dispensador.	Si el dispensador de hielo se usa con poca frecuencia, con el tiempo los cubitos de hielo se pegan unos a otros, lo que impide que se dispensen correctamente. Compruebe el depósito de hielo en busca de cubitos agrupados o pegados entre sí. Si los hubiera, sepárelos para que el dispensador funcione correctamente.
	El conducto de dispensación está obstruido con escarcha o fragmentos de hielo.	Para eliminar la escarcha o los fragmentos de hielo, desmonte el depósito de hielo y libere el conducto con un utensilio de plástico. La dispensación de hielo en cubitos también ayuda a evitar la formación de escarcha y fragmentos de hielo.
	La pantalla del dispensador está bloqueada.	Mantenga presionado el botón Lock durante tres segundos para desbloquear el panel de control y el dispensador.
	El depósito de hielo está vacío.	Puede tomar hasta 24 horas para que cada compartimento alcance la temperatura deseada y para que la máquina de hielo comience a fabricar hielo. Asegúrese de que el corte (brazo/sensor) no esté obstruido.  Una vez que se haya ventilado el suministro de hielo en el depósito de hielo, puede tomar hasta 90 minutos para que esté disponible más hielo, y aproximadamente 24 horas para poder rellenar el depósito por completo.

# GUÍA DE SOLUCIÓN DE PROBLEMAS

## HIELO Y AGUA

Problema	Causas posibles	Soluciones
La máquina de hielo no hace hielo.	El refrigerador se instaló recientemente o la máquina de hielo se conectó recientemente.	Puede tomar hasta 24 horas para que cada compartimiento alcance la temperatura deseada y para que la máquina de hielo comience a fabricar hielo.
	La máquina de hielo no está encendida.	Localice el interruptor ON/OFF (encendido/apagado) de la máquina de hielo y confirme que está en la posición ON.
	El refrigerador no está conectado a un suministro de agua o la válvula de corte del suministro no está abierta.	Conecte el refrigerador al suministro de agua y abra completamente la válvula de corte de agua.
	Apagado del fabricante de hielo (sensor óptico está obstruido)	Si el fabricante de hielo está equipado con un sensor óptico para detectar hielo completo, compruebe que el espacio del sensor no esté bloqueado.
	Cierre de la máquina de hielo 1. El sensor óptico del dispensador de hielo está bloqueado por el hielo. 2. El brazo de cierre de la máquina de hielo del congelador es empujado hacia arriba por el hielo.	1. Retire suficiente hielo del depósito para que el espacio de detección óptica no se bloquee. 2. Retire suficiente hielo del recipiente para permitir que el brazo de apagado baje de la posición de cierre.
No se dispensa agua.	Nueva instalación o conducto de agua recientemente conectado.	Dispense 9 litros de agua (deje correr el agua durante unos 5 minutos) para purgar el aire atrapado y los contaminantes del sistema. No dispense los 9 litros de agua de manera continua. Pulse y suelte el botón del dispensador en ciclos de 30 segundos ON (encendido) y 60 segundos OFF (apagado).
	El panel del dispensador está bloqueado.	Mantenga presionado el botón Lock durante tres segundos para desbloquear el panel de control y el dispensador.
	El dispensador no está ajustado para dispensar agua.	En el panel de control presione el botón de agua.
	Las puertas del refrigerador o del congelador no están cerradas correctamente.	El agua no se dispensará si hay alguna puerta del refrigerador abierta.
	El filtro de agua se sacó o se cambió recientemente.	Después de reemplazar el filtro de agua, dispense 9 litros de agua (deje correr el agua durante unos 5 minutos) para purgar el aire atrapado y los contaminantes del sistema; No dispense los 9 litros de agua de manera continua. Pulse y suelte el botón del dispensador por ciclos de 30 segundos ON (encendido) y 60 segundos OFF (apagado).
	La tubería que conecta el refrigerador al suministro del hogar está retorcida.	La tubería se puede retorcer cuando el refrigerador se mueve durante la instalación o limpieza, lo que provoca un flujo de agua reducido. Enderece o repare el conducto de suministro del agua y arréglole a fin de prevenir futuras torceduras.
	El suministro de agua del hogar no está conectado, la válvula no está completamente encendida, o la válvula está obstruida.	Conecte el refrigerador al suministro de agua y abra completamente la válvula de corte de agua. Si el problema persiste, puede ser necesario contactar a un plomero.

# GUÍA DE SOLUCIÓN DE PROBLEMAS

## HIELO Y AGUA

Problema	Causas posibles	Soluciones
El hielo huele o sabe mal.	El suministro de agua contiene minerales tales como el azufre.	Es posible que deba reemplazar el filtro de agua para eliminar los problemas de olor y sabor. NOTA: En algunos casos, un filtro podría no ser de ayuda. Puede no resultar posible quitar todo mineral/ olor/sabor en todos los suministros de agua.
	La máquina de hielo se instaló hace poco tiempo.	Deseche las primeras tandas de hielo para evitar hielo manchado o con mal sabor.
	El hielo ha estado almacenado por demasiado tiempo.	El hielo almacenado por demasiado tiempo se achicará, se volverá turbio, y puede desarrollar un sabor rancio. Deseche el hielo antiguo y fabrique un nuevo suministro.
	Los alimentos no se han almacenado correctamente en los compartimentos.	Vuelva a envolver los alimentos. Vuelva a envolver los alimentos ya que, si no están correctamente envueltos, los olores podrían migrar hasta el hielo.
	El interior del refrigerador necesita una limpieza.	Consulte la sección Cuidado y limpieza para obtener más información.
	El depósito de hielo necesita una limpieza.	Vacíe y limpie el depósito (deseche los cubitos de hielo viejos). Asegúrese de que el depósito está completamente seco antes de reinstalarlo.
El agua del dispensador está caliente.	El Refrigerador fue instalado recientemente.	Espere 24 horas tras la instalación a que el depósito de almacenamiento del agua se enfríe completamente.
	El dispensador de agua ha sido utilizado recientemente y ha terminado el depósito de almacenamiento.	Dependiendo de su modelo específico, la capacidad de almacenamiento de agua será de aproximadamente 20 a 30 oz.
	El dispensador ha sido usado por varias horas	Si el dispensador no se utilizó por varias horas, el primer vaso dispensado puede no estar lo suficientemente frío. Deseche las primeras 10 onzas.
	El dispensador ha sido conectado a la línea de agua caliente	Asegúrese de que el refrigerador está conectado a una tubería de agua fría.  ⚠ ADVERTENCIA: Conectar el refrigerador a un conducto de agua caliente puede dañar la máquina de hielo.
El agua huele o sabe mal.	El suministro de agua contiene minerales tales como sulfato.	Es posible que deba reemplazar el filtro de agua para eliminar los problemas de olor y sabor.
	El filtro de agua se ha terminado	Se recomienda reemplazar el filtro de agua: <ul style="list-style-type: none"> <li>• Aproximadamente cada 6 meses.</li> <li>• Cuando se encienda el indicador del filtro del agua.</li> <li>• Cuando disminuya el caudal del dispensador de agua.</li> <li>• Cuando los cubitos de hielo sean más pequeños de lo normal.</li> </ul>
	El Refrigerador fue instalado recientemente.	Dispense 9 litros de agua (deje correr el agua durante unos 5 minutos) para purgar el aire atrapado y los contaminantes del sistema. No dispense los 9 litros de agua de manera continua. Pulse y suelte el botón del dispensador en ciclos de 30 segundos ON (encendido) y 60 segundos OFF (apagado).



# GUÍA DE SOLUCIÓN DE PROBLEMAS

## RUIDO

Problema	Causas posibles	Soluciones
Clics	El control de descongelación emitirá un “clic” al comenzar y al finalizar el ciclo de descongelación. El control del termostato (o control del refrigerador en algunos modelos) también emitirá un “clic” al iniciar o finalizar un ciclo.	Funcionamiento normal.
Traqueteo	Los ruidos de traqueteos pueden proceder del flujo del refrigerante, de la tubería de agua en la parte posterior de la unidad, o de artículos almacenados encima o alrededor del refrigerador.	Funcionamiento normal.
	El refrigerador no está sólidamente apoyado en el suelo.	El suelo es poco sólido o irregular, o es necesario ajustar los pies de nivelación. Consulte la sección Alineación de las puertas.
	El refrigerador con compresor lineal se sacudió mientras estaba funcionando.	Funcionamiento normal.
Ruido de aspas	El motor del ventilador del evaporador está moviendo el aire a través de los compartimentos del refrigerador y del congelador.	Funcionamiento normal.
	El ventilador del condensador está forzando el paso de aire a través del condensador.	Funcionamiento normal.
Borboteo	Refrigerante está fluyendo a través del sistema de enfriamiento.	Funcionamiento normal.
Crujido	Se produjo la contracción y expansión de las paredes internas debido a cambios en la temperatura.	Funcionamiento normal.
Crepitación	El agua cayendo en el calentador de descongelación durante un ciclo de descongelación.	Funcionamiento normal.
Vibración	Si el lateral o la parte posterior del refrigerador están en contacto con un mueble o una pared, algunas de las vibraciones normales pueden producir un sonido audible.	Para eliminar el ruido, asegúrese de que los laterales y la parte posterior no puedan vibrar contra las paredes o los muebles.
Goteo	El agua cayendo en la batea de drenaje durante el ciclo de descongelación.	Funcionamiento normal.
Sonido de pulsación o agudo	Su refrigerador está diseñado para funcionar de forma más eficiente para conservar los alimentos a la temperatura deseada. El compresor de alta eficiencia puede hacer que su nuevo refrigerador funcione durante más tiempo que su antiguo refrigerador, y aun así será más eficiente energéticamente que los modelos anteriores. Mientras el refrigerador está en funcionamiento, es normal escuchar un sonido de pulsación o agudo.	Funcionamiento normal.



# GUÍA DE SOLUCIÓN DE PROBLEMAS

## COMPONENTES Y CARACTERÍSTICAS

Problema	Causas posibles	Soluciones
Las puertas no se cierran completamente o quedan abiertas.	Hay paquetes de alimentos bloqueando la puerta que impiden que se cierre.	Reorganice los envases de alimentos para liberar la puerta y los estantes de la puerta.
	El depósito de hielo, la tapa del cajón para verduras, las bateas, los estantes, las bandejas de las puertas o las cestas no están en su sitio.	Coloque correctamente las bandejas, la tapa del cajón para verduras, las bateas, los estantes y las cestas. Consulte la sección Uso del refrigerador.
	Las puertas se desmontaron durante la instalación del producto y no se volvieron a colocar correctamente.	Desmunte y vuelva a colocar las puertas siguiendo las instrucciones de la sección Desmontaje y sustitución de las manijas y puertas del refrigerador.
	La puerta no está correctamente nivelada.	Consulte el apartado Alineación de las puertas en la sección Instalación del refrigerador para nivelar el refrigerador.
Las puertas se abren con gran dificultad.	Las juntas están sucias o pegajosas.	Limpie las juntas y las superficies de contacto. Aplique una fina capa de cera para electrodomésticos o cera de cocina en las juntas después de limpiarlas.
	La puerta se acaba de cerrar.	Cuando abre la puerta, aire más caliente entra al refrigerador. Al enfriarse, crea el vacío. Si le cuesta abrir la puerta, espere un minuto para permitir que la presión del aire se equalice y, a continuación, compruebe si se abre con más facilidad.
El refrigerador se bambolea o parece inestable.	Las patas niveladoras no están correctamente ajustadas.	Consulte la sección Nivelación y alineación de las puertas.
	El piso no está nivelado.	Puede ser necesario agregar calibradores debajo de las patas o rodillos de nivelación o para completar el proceso de instalación.
Las luces no funcionan.	Falla de iluminación interior LED.	La lámpara del compartimiento del refrigerador es una iluminación interior mediante LED, por lo que el mantenimiento deberá ser realizado por un técnico cualificado. Consulte la sección Sustitución de la bombilla.
Le refrigerador tiene un olor inusual.	<ol style="list-style-type: none"> <li>1. La comida puede estar produciendo un olor desagradable.</li> <li>2. El filtro de aire puede necesitar ser reemplazado.</li> </ol>	<ol style="list-style-type: none"> <li>1. Eliminar el olor que produce los alimentos. Coloque la caja de bicarbonato de sodio en el compartimiento del refrigerador para absorber los olores.</li> <li>2. Para reemplazarlo, consulte la información del filtro de aire de flujo limpio en la sección FILTRO DE AGUA de esta Guía de uso y cuidado.</li> </ol>
El interior del frigorífico está cubierto de polvo u hollín.	El frigorífico se encuentra cerca de un fuego, por ejemplo, una chimenea o similar.	Asegúrese de que el frigorífico no se encuentre cerca de un fuego, por ejemplo, una chimenea o similar.

# Kenmore®

## Customer Care Hotline

To schedule in-home repair service  
or order replacement parts

Para pedir servicio de reparación  
a domicilio, y ordenar piezas

# 1-888-KENMORE

## 1-888-536-6673

[www.kenmore.com](http://www.kenmore.com)



Kenmore and the Kenmore logo are registered trademarks of Transform SR Brands LLC and are used under license by Winiadaewoo Electronics America Inc., Ridgefield Park, NJ 07660