



Wine Cellar

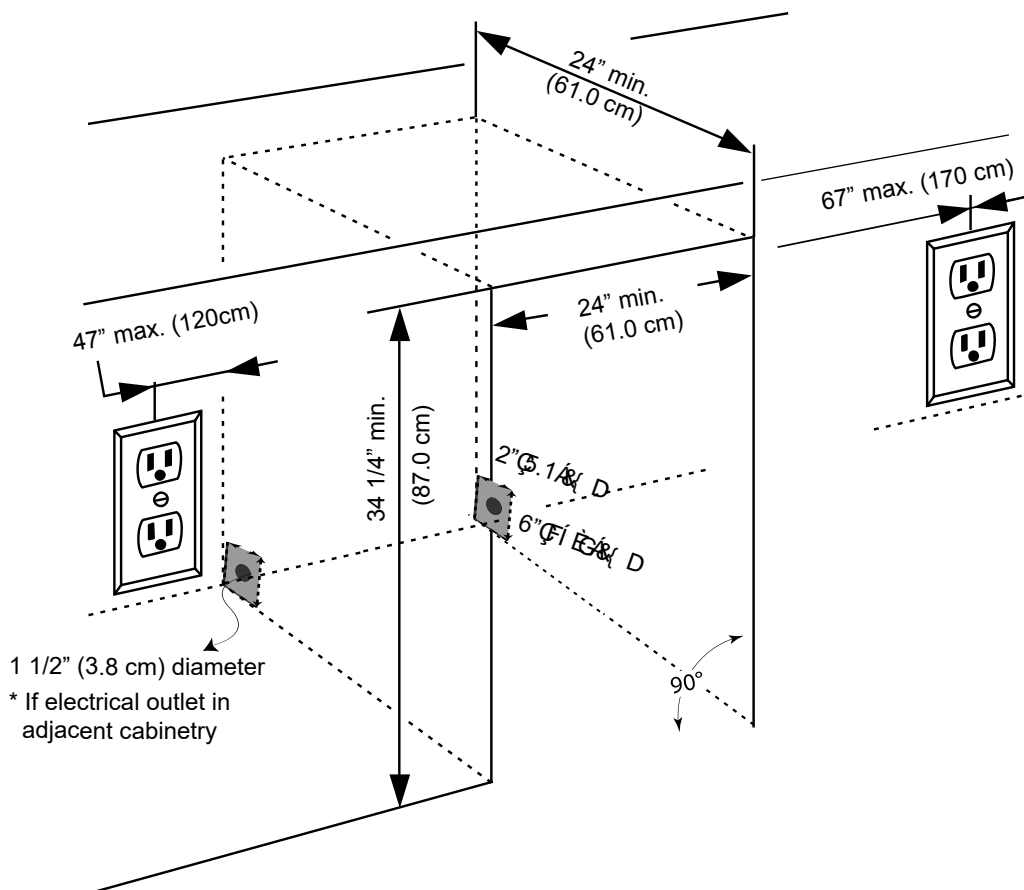
Installation manual

RW51TS338SR/AA

SAMSUNG

Installation manual

Installation specifications for built-in purposes



- Gloves and safety goggles should be worn during installation.
- It is not recommended to install the appliance into a corner or directly beside a wall. The door will need to be opened more than 90° to allow full extension of the shelves. If it is necessary to place the unit next to a wall or in a corner, leave at least 2-4 inches (5-10 cm) of space between the wall and the appliance to allow for the door opening.
- The cabinet opening must be at least 24 inches (61.0 cm) wide by 34 1/4 inches (87.0 cm) high by 24 inches (61.0 cm) deep.

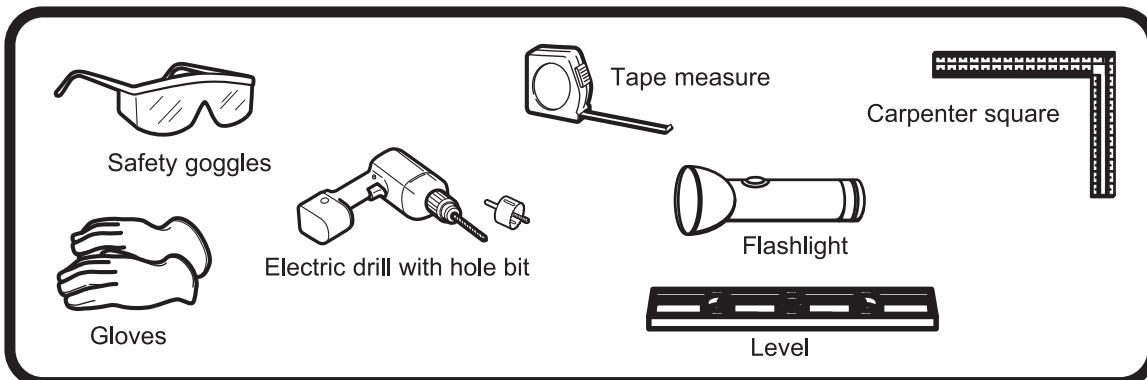
NOTE

The listed depth requirement is assuming that the electrical outlet is located in the adjacent cabinetry or flush mounted in the rear wall, not surface mounted inside the enclosure.

If the electrical outlet is located inside adjacent cabinetry, cut a 1 1/2 inch (3.8 cm) diameter hole to admit the power cord. If the cabinet wall is metal, the hole edge must be covered with a bushing or grommet

Installation manual

Required Tools

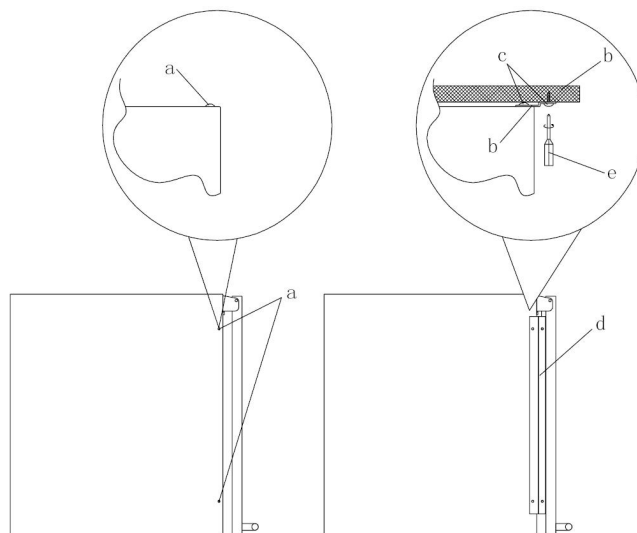


- Safety goggles
- Gloves
- Tape measure
- Carpenter square
- Level
- Flashlight
- Electric drill with hole bit

Fixing the TOP Fixing Bracket

1. Remove the 2 pieces of decorative plastic nail (a) from the top of wine cooler;
2. use two screws (c) to fix the top fixing bracket (d) on top of wine cooler;
3. build in wine cooler into cabinet (b) and align the glass door with cabinet;
4. open the glass door, use two screws (c) to fix the top fixing bracket (d) on cabinet (b).

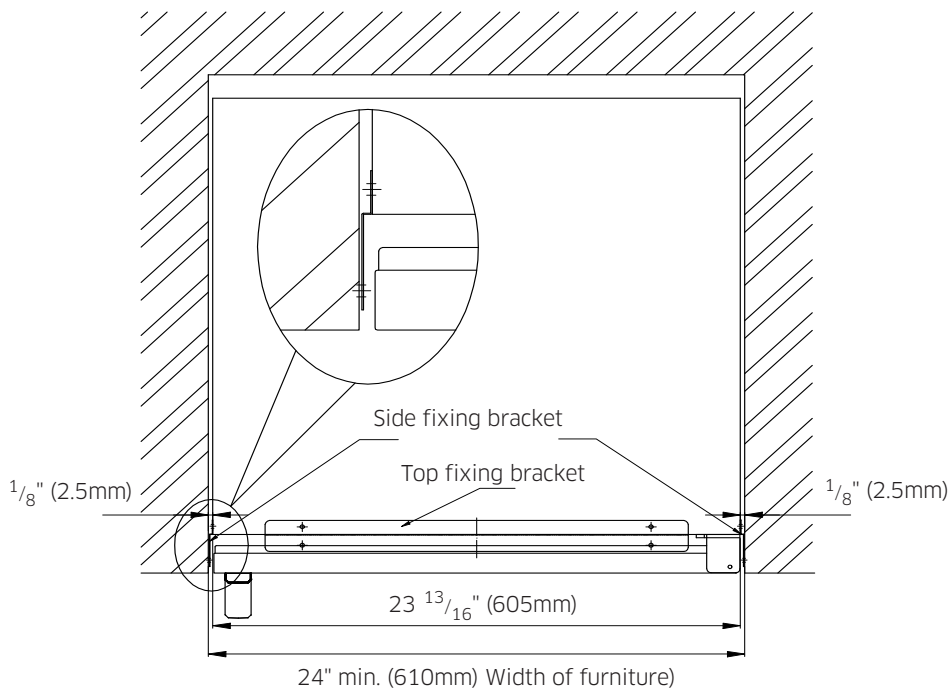
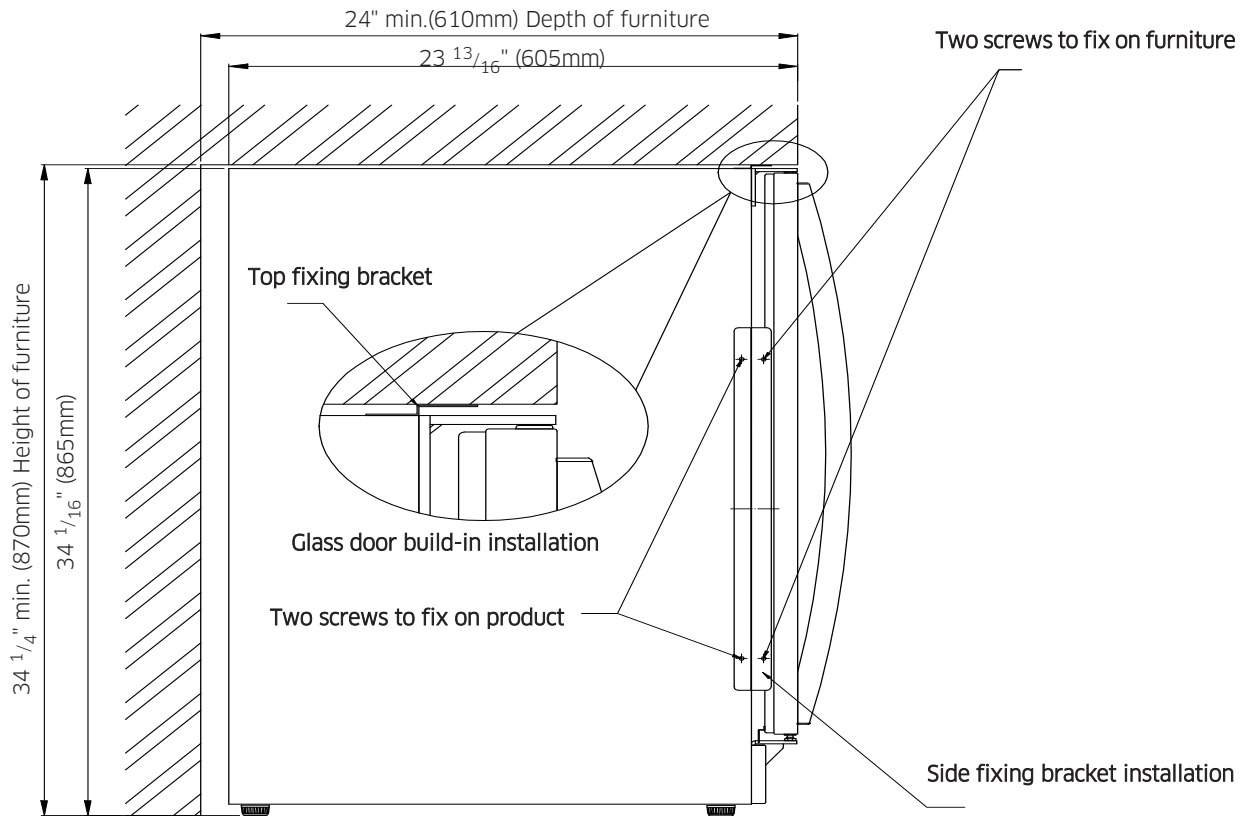
- a) Decorative screws
- b) Work surface
- c) Screw
- d) Top fixing bracket
- e) Screwdriver



This bracket will keep the product secure and help prevent it moving when in use.

Installation manual

Installation guide of bracket

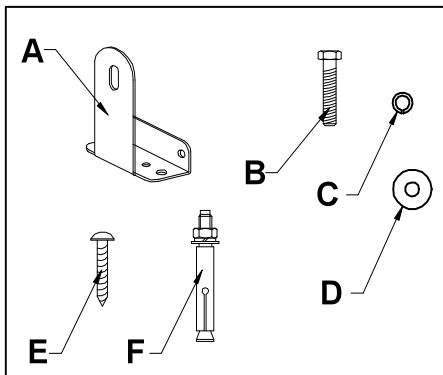


Installation manual

Installing the Anti-Tip Bracket for Free Standing

WARNING

This appliance may tip when shelves are extended, causing damage or injury. If this appliance is used in a FREE STANDING application, the anti-tip bracket must be installed following these instructions!



Anti-tip bracket parts List:

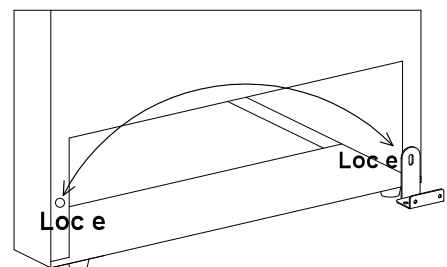
- A : Anti-tip bracket (1pc)
- B : Anti-tip bracket (1pc) Size (6mm x 30mm)(1/4" X 1.2")
- C : Lock washer (1pc) size (6)
- D : Flat washer (1pc) size (6)
- E : Screw (2pc) size (ST4x35)
- F : Expansion screw (1pc) size (6mmx60mm)(1/4" X 1.2")

secure the bracket with the screws provided

Anti-tip bracket installation

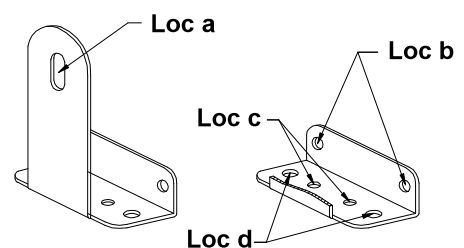
The bracket can be installed at the bottom OR right bottom of the back of the unit. You can choose which side is convenient for you.

*both brackets MUST be installed (left and right)



Anti-tip bracket mounting hole instruction

- Location a : Fixed mounting hole for unit
- Location b : Fixed mounting hole for Drywall
- Location c : Fixed mounting hole for Wood floor
- Location d : Fixed mounting hole for Concrete floor
- Location e : Mounting hole on the back unit

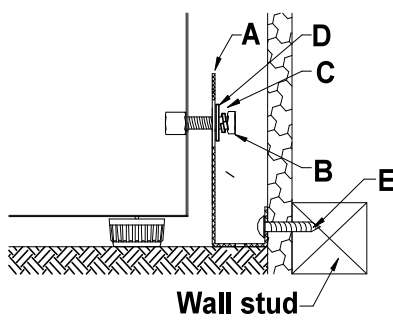


Installation manual

Installing Instructions - Anti - Tip Bracket

IMPORTANT:

Determine the final location of the appliance before attempting to install the bracket.
You will need to choose one of the three installation methods below.

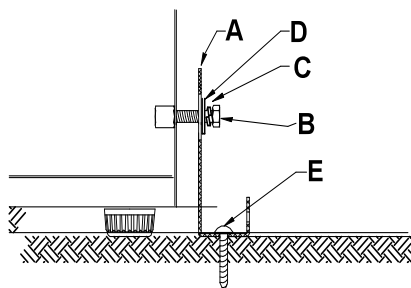


DRYWALL installation:

1. After you have chosen the installation location, Place the bracket on the floor with Loc b against the wall, use Screw (E) (2pcs) to secure the bracket to the wall. **Ensure at least one screw is secured into a stud.**
2. Move the unit to align Loc e to bracket Loc a, secure with the bolt (B), lock washer (C) and flat washer (D)

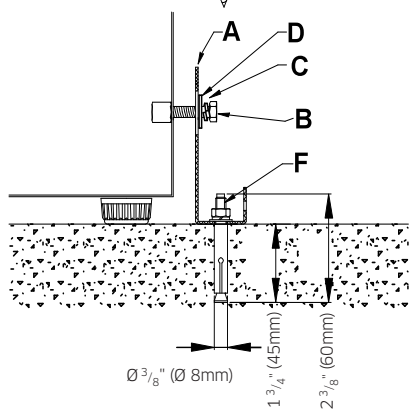
NOTE

*The screws MUST enter into a wood stud.
If the wall contains metal studs or similar materials, then the floor installation must be used*



WOOD FLOOR installation

1. After you have chosen the installation location, Place the bracket on the floor, use : Screw (E) (2pcs) to secure the bracket to the wall.
2. Move the unit to align Loc e to bracket Loc a, secure with the bolt (B), lock washer (C) and flat washer (D)



CONCRETE FLOOR installation

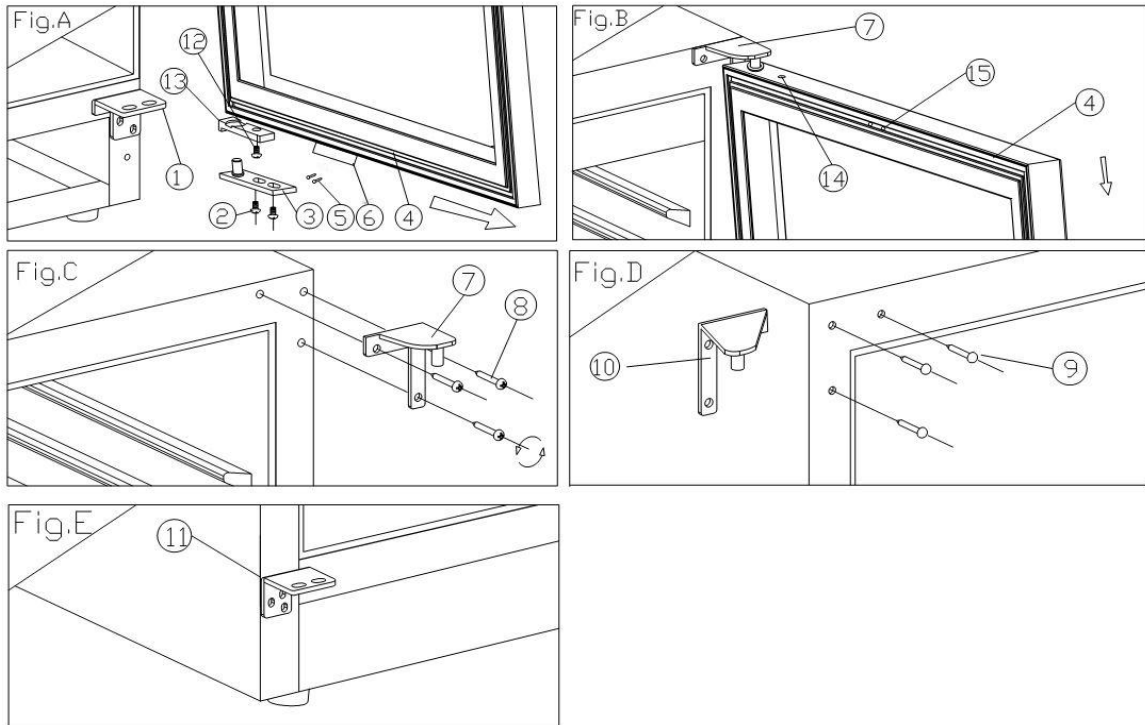
1. After you have chosen the installation location, choose any hole of Loc d to secure the bracket into the concrete floor.
2. Using a concrete bit, drill $\text{Ø } 3/8'' (\text{Ø } 8\text{mm})$ pilot hole $1.7'' \sim 2.4'' (45\text{mm} \sim 60\text{mm})$ deep
3. Remove the nut, spring washer and washer of the expansion screw.
4. Carefully tap the expansion screw into the concrete, using a hammer or mallet.
5. Align Loc d and secure the nut, spring washer, washer tightly back onto the expansion screw and fix on the concrete floor.
6. Move the unit to align Loc e to bracket Loc a, secure with the bolt(B), lock washer (C) and flat washer (D).

Check the bracket : After installing the bracket, try using light force to tip the unit. If the unit does not tip then bracket mounted securely. If the unit does tip, the bracket MUST be reinstalled following these instructions.

Installation manual

Reverse Door

Do not cover racks with aluminum foil or any other material that will prevent adequate air circulation within the cabinet.



- | | | |
|---------------------------------------|------------------------------|----------------------------|
| 1. Lower hinge (Right) | 2. Screws for door axis | 3. Door axis |
| 4. Door | 5. Screws for actuator | 6. Door switch press plate |
| 7. Upper hinge(Right) | 8. Screws for hinge | 9. Decorative screws |
| 10. Upper hinge(Left) | 11. Lower hinge(Left) | |
| 12. Screws for door stopper | 13. Door stopper | |
| 14. Screw holes for door limit device | 15. Screw holes for Actuator | |

1. Open the door④ to a 90 degrees angle, remove the screws for door axis② and remove the door according to the direction of arrow. (Ref Fig A, B)
2. Loosening the screws for actuator⑤ and the screws for door stopper⑫. Remove Door switch press plate⑥ and door stopper⑬, then install these two parts on the door's upper side.(Ref Fig A, B, ⑭ and ⑮)
3. Loosening the decorative screws⑨ and screws⑧ for right upper hinge⑦. Install upper hinge(Left) with screws⑧, and use decorative screws⑨ to cover the three holes on product's upper right corner.(Ref Fig C, D)
4. To rotate the door④ 180 degrees, put the door axis on the bottom of door stopper and hold by hand. Install them on the product's left, between upper hinge(left) and lower hinge(left). Use screws for door axis to lock the door and door axis will finally finish the steps of change door opening direction.

SAMSUNG

Contact SAMSUNG WORLD WIDE

If you have any questions or comments relating to Samsung products, please contact the SAMSUNG Customer Care Center.

| Country | Contact Center | Web Site |
|---------|---|--|
| U.S.A | 1-800-SAMSUNG (726-7864) 1-844-SAM-PAYS (726-7297) | www.samsung.com/us/support |

