



# Wine Cellar

---

## User manual

RW51TS338SR/AA

**SAMSUNG**

# Contents

---

<b>Safety Information</b>	<b>3</b>
What you need to know about the safety instructions	3
Important Safety Symbols and Precautions	4
State of California Proposition 65 Warning (US only)	4
Important safety precautions	4
Severe Warning Signs for Transportation and Site	5
Critical Installation Warnings	6
Installation Cautions	8
Critical Usage Warnings	9
Usage Cautions	12
Cleaning Cautions	13
Critical Disposal Warnings	14
Intended Use	14
<b>Installation</b>	<b>15</b>
Wine Cellar at a glance	15
Features	16
Select a site	17
<b>Operations</b>	<b>21</b>
Control Panel	21
Setting The Temperature Controls	22
Function Instruction	22
<b>Care and Maintenance</b>	<b>24</b>
Cleaning	24
<b>Troubleshooting</b>	<b>25</b>
General	25
Abnormal Sounds	26
<b>LIMITED WARRANTY (U.S.A.)</b>	<b>28</b>
SAMSUNG REFRIGERATOR	28

# Safety Information

---

Before using your new wine cellar, please read this manual thoroughly to ensure that you know how to operate the features and functions that your new appliance offers safely and efficiently.

## What you need to know about the safety instructions

---

- This appliance is not intended for use by persons (including children) with reduced physical, sensory or mental capabilities, or lack of experience and knowledge, unless they have been given supervision or instruction concerning use of the appliance by a person responsible for their safety. Children should be supervised to ensure that they do not play with the appliance.
- Because the following instructions cover various models, the characteristics of your wine cellar may differ slightly from the wine cellar described in this manual.
- If you have any question, contact us at 1-800-SAMSUNG or find help and information online at [www.samsung.com](http://www.samsung.com).
- Refrigerant squirting out of the pipes could ignite or cause an eye injury. When refrigerant leaks from the pipe, avoid any naked flames and move anything flammable away from the product and ventilate the room immediately.
  - Failing to do so may result in fire or explosion.
- Improper use of the grounding plug can result in a risk of electric shock. If it is necessary to use an extension cord, use only a 3-wire extension cord that has a 3-blade grounding plug and a 3-slot receptacle that will accept the plug on the appliance. The marked rating of the extension cord should be AC 115-120 V, 10 A, or more. If a grounding adapter is used, make sure the receptacle box is fully grounded.

# Safety Information

---

## Important Safety Symbols and Precautions:

---

Please follow all safety instructions in this manual. This manual uses the following safety symbols.

### **WARNING**

Hazards or unsafe practices that may result in **severe personal injury, property damage, and/or death.**

### **CAUTION**

Hazards or unsafe practices that may result in **severe personal injury and/or property damage.**

### **NOTE**

Useful information that helps users understand or benefit from the wine cellar.

These warning signs are here to prevent injury to you and others.

Please follow them carefully.

After reading this section, keep it in a safe place for future reference.

## State of California Proposition 65 Warning (US only)

---

### **WARNING**

Cancer and Reproductive Harm - [www.P65Warnings.ca.gov](http://www.P65Warnings.ca.gov).

## Important safety precautions

---



Warning; Risk of fire / flammable materials

### **WARNING**

- R-600a is used as a refrigerant. This product contains flammable gas (Refrigerant R-600a), contact your local authority in regard to safe disposal of this product.
- In order to avoid the creation of a flammable gas-air mixture if a leak in the refrigerating circuit occurs, the size of the room in which the appliance may be sited depends on the amount of refrigerant used. The room must be 35.3 ft<sup>3</sup> in size for every 8 g of R-600a refrigerant inside the appliance.
- The installation location should not be exposed to direct sunlight and not placed near any electric appliance or heat source, e.g. stove, oven, radiator, etc.



# Safety Information

---

- If you use two products side by side, for safety reason, be sure to use certified products in explosive gas atmospheres.
- Never start up an appliance showing any signs of damage. If in doubt, consult your dealer.
- If the supply cord is damaged, it must be replaced by the manufacturer, its service agent or similarly qualified persons in order to avoid a hazard.
- The socket must be easily accessible so that the appliance can be quickly disconnected from the supply in an emergency. It must be outside the area of the rear of the appliance.
- Do not store explosive substances such as aerosol cans with a flammable propellant in this appliance.
- To avoid a hazard due to instability of the appliance, it must be fixed in accordance with the instructions.

## Severe Warning Signs for Transportation and Site

---

### **WARNING**

- When transporting and installing the appliance, care should be taken to ensure that no parts of the refrigerating circuit are damaged.
  - Refrigerant leaking from the pipe work could ignite or cause an eye injury. If a leak is detected, avoid any naked flames or potential sources of ignition and air the room in which the appliance is standing for several minutes.
  - This appliance contains a small amount of isobutane refrigerant (R-600a), a natural gas with high environmental compatibility but also flammable.



# Safety Information

---

## Critical Installation Warnings

---

### **WARNING**

- Do not install the wine cellar in a damp location or place where it may come in contact with water.
  - Deteriorated insulation on electrical parts may cause an electric shock or fire.
- Do not place this wine cellar in direct sunlight or expose it to heat from stoves, room heaters, or other appliances.
- Do not plug several appliances into the same power strip. The wine cellar should always be plugged into its own individual electrical outlet which has a voltage rating that matches the voltage listed on the wine cellar's rating plate.
  - This provides the best performance and also prevents overloading of house wiring circuits, which could overheat the wires and cause a fire hazard.
- If the wall socket is loose, do not insert the power plug.
  - There is a risk of electric shock or fire.
- Do not use a power cord that has cracks or abrasion damage along its length or at either end.
- Do not bend the power cord excessively or place heavy objects on it.
- Do not pull or excessively bend the power cord.
- Do not twist or tie the power cord.
- Do not hook the power cord over a metal object, insert the power cord between objects, or push the power cord into the space behind the appliance.
- Never unplug your wine cellar by pulling on the power cord. Always grip the plug firmly and pull straight out from the outlet.
  - Damage to the cord may cause a short-circuit, fire, and/or electric shock.
- Do not store explosive substances such as aerosol cans with a flammable propellant in this appliance.
- Do not install this appliance near flammable material.
- Do not install this appliance in a location where gas may leak.
  - This may result in an electric shock or fire.
- This wine cellar must be properly located and installed in accordance with the instructions in this manual before you use it.
- Connect the power plug in the proper position with the cord hanging down.
  - If you connect the power plug upside down, the wire can get cut off and cause a fire or electric shock.
- Make sure that the power plug is not crushed or damaged by the back of the wine cellar.



# Safety Information

---

- Keep the packing materials out of reach of children.
  - There is a risk of death from suffocation if a child puts the packing materials on his or her head.
- The appliance must be positioned so that the plug is accessible after installation.
  - Failing to do so may result in an electric shock or fire due to electric leakage.
- Do not install this appliance in a humid, oily or dusty location, or in a location exposed to direct sunlight or to water (rain drops).
  - Deteriorated insulation on electrical parts may cause an electric shock or fire.
- If large amounts of dust or water enter the wine cellar, turn off the power switch and contact your service center.
  - Otherwise there is a risk of fire.
- You need to remove all the protective plastic film before you initially plug the product in.
- Children should be supervised to ensure that they do not play with the snap rings used for door adjustment or the water tube clips.
  - There is risk of death by suffocation if a child swallows a snap ring or water tube clip. Keep the snap rings and water tube clips out of children's reach.
- The wine cellar must be safely grounded.
  - Always make sure that you have grounded the wine cellar before attempting to investigate or repair any part of the appliance. Power leakages can cause severe electric shock.
- Never use gas pipes, telephone lines, or other potential lightning attractors as an electrical ground.
  - You must ground the wine cellar to prevent any power leakages or electric shocks caused by current leakage from the wine cellar.
  - This may result in an electric shock, fire, explosion, or problems with the product.
  - Improper use of the grounding plug can result in a risk of electric shock. If it is necessary to use an extension cord, use only a 3-wire extension cord that has a 3-blade grounding plug and a 3-slot receptacle that will accept the plug on the appliance. The marked rating of the extension cord should be AC 115-120 V, 10 A, or more. If a grounding adapter is used, make sure the receptacle box is fully grounded.
- Plug the power plug into the wall socket firmly. Do not use a damaged power plug, damaged power cord, or loose wall socket.
  - This may result in an electric shock or fire.
- If the power cord is damaged, have it replaced immediately by the manufacturer or one of its service agents.

# Safety Information

---

- Only a qualified technician or service company should be allowed to change the fuse in the wine cellar.
  - Failing to do so may result in an electric shock or personal injury.
- The wall socket must be easily accessible so that the appliance can be quickly disconnected from the wall socket in an emergency.
- It must be outside the area of the rear of the appliance.
- When positioning the appliance, ensure the power cord is not trapped or damaged.
- Do not locate multiple socket-outlets or power supplies at the rear of the appliance.
- Keep ventilation openings, in the appliance enclosure or in the built-in structure, clear of obstruction.

## Installation Cautions

---

### CAUTION

- Allow sufficient space around the wine cellar and install it on a flat surface.
  - Keep the ventilation space in the appliance enclosure or mounting structure clear of obstructions.
- After you have installed the wine cellar and turned it on, allow the appliance to stand for 2 hours before loading it with wine.
- It is strongly recommended you have a qualified technician or service company install the wine cellar.
  - Failing to do so may result in an electric shock, fire, explosion, problems with the product, or injury.



# Safety Information

---

## Critical Usage Warnings

---

### **WARNING**

- Do not insert the power plug into a wall socket with wet hands.
  - This may result in an electric shock.
- Do not store articles on the top of the appliance.
  - When you open or close the door, the articles may fall and cause personal injury and/or material damage.
- Do not insert hands, feet or metal objects (such as utensils, etc.) into the bottom or the back of the wine cellar.
  - This may result in an electric shock or injury.
  - Any sharp edges may cause a personal injury.
- Do not put a container filled with water on the wine cellar.
  - If spilled, there is a risk of fire or electric shock.
- Do not keep volatile or flammable objects or substances (benzene, thinner, propane gas, alcohol, ether, LP gas, and other such products) in the wine cellar.
  - This wine cellar is for storing wine only.
  - This may result in fire or explosion.
- Children should be supervised to ensure that they do not play with the appliance.
  - Keep fingers out of “pinch point” areas. Clearances between the doors and cabinet are necessarily small. Be careful when you open the doors if children are in the area.
- Do not let children hang on the door. A serious injury may occur.
- Do not let children go inside the wine cellar. They could become trapped.
- Do not insert your hands into the area under the appliance.
  - Any sharp edges may cause personal injury.
- Do not store pharmaceutical products, scientific materials, or temperature sensitive products in the wine cellar.
  - Products that require strict temperature controls must not be stored in the wine cellar.
- Do not place or use electrical appliances inside the wine cellar, unless they are of a type recommended by the manufacturer.
- If you smell smoke, turn off the power switch immediately, and then contact your service center.
- If large amounts of dust or water enter the wine cellar, disconnect the power plug and contact your service center.
  - Otherwise there is a risk of fire.
- Do not leave the door of the wine cellar open while the wine cellar is unattended and do not let children enter the wine cellar.
  - It can cause death from suffocation by entrapment or personal injury.

# Safety Information

---

- Do not overfill the wine cellar with wine.
  - When you open the door, an item may fall out and cause personal injury or material damage.
- Do not spray volatile material such as insecticide onto the surface of the appliance.
  - As well as being harmful to humans, it may also result in an electric shock, fire, or problems with the product.
- Do not use or place any substances sensitive to temperature such as flammable sprays, flammable objects, dry ice, medicine, or chemicals near or inside the wine cellar.
- Do not use a hair dryer to dry the inside of the wine cellar. Do not place a lighted candle in the wine cellar to remove bad odors.
  - This may result in an electric shock or fire.
- Do not use mechanical devices or any other means to accelerate the defrosting process, other than those recommended by the manufacturer.
- Do not damage the refrigerant circuit.
- If a gas leak is detected, avoid any naked flames or potential sources of ignition, and air the room in which the appliance is standing for several minutes.
  - Do not touch the appliance or power cord.
  - Do not use a ventilating fan.
  - A spark may result in an explosion or fire.
- Use only the LED lamps provided by the manufacturer or its service agents.
- Do not attempt to repair, disassemble, or modify the wine cellar yourself.
  - Unauthorized modifications can cause safety problems. To reverse an unauthorized modification, we will charge the full cost of parts and labor.
- Do not use any fuse (such as cooper, steel wire, etc.) other than a standard fuse.
- If your wine cellar needs to be repaired or reinstalled, contact your nearest service center.
  - Failing to do so may result in an electric shock, fire, problems with the product, or injury.
- If the interior or exterior LED lamp has gone out, contact your nearest service center.
- If the wine cellar emits a burning smell or smoke, unplug the wine cellar immediately and contact a service center.
  - Failing to do so may result in an electric or fire hazards.
- Pull the power plug out of the socket before changing the interior lamps of the wine cellar.
  - Otherwise, there is a risk of electric shock.
- If you experience difficulty changing a non-LED light, contact a service center.

# Safety Information

---

- If the product is equipped with LED lamps, do not disassemble the lamp covers and LED lamps yourself.
  - Contact a service center.
- Plug the power plug into the wall socket firmly.
- Do not use a damaged power plug, damaged power cord, or loose wall socket.
  - This may result in an electric shock or fire.
- Do not expose the interior accessories, such as wine racks, bottle presenters, and shelf to direct sunlight for long.

# Safety Information

---

## Usage Cautions

---

### CAUTION

- To get the best performance from the product:
  - Do not place wine too close to the vents at the rear of the wine cellar as this can obstruct free air circulation in the wine cellar compartment.
- Service warranty and modification.
  - Any changes or modifications performed by a 3rd party on this finished appliance are not covered under warranty service, nor is responsible for safety issues that result from 3rd party modifications.
- Do not block the air vents inside the wine cellar.
  - If the air vents are blocked, especially with a plastic bag, the wine cellar can be over cooled.
- If the wine cellar is disconnected from the power supply, you should wait for at least five minutes before plugging it back in.
- If large amounts of water enter the wine cellar, turn off the power switch and contact a service center.
- Do not strike or apply excessive force to any glass surface.
  - Broken glass may result in a personal injury and/or property damage.
- If the wine cellar is flooded, shut off the power to the wine cellar and contact your nearest service center.
  - There is a risk of electric shock or fire.

# Safety Information

---

## Cleaning Cautions

---

### CAUTION

- Do not spray water directly on the inside or outside the wine cellar.
  - There is a risk of fire or electric shock.
- Do not use a hair dryer to dry the inside of the wine cellar.
- Do not place a lighted candle in the wine cellar to remove bad odors.
  - This may result in an electric shock or fire.
- Do not spray cleaning products directly on the display.
  - Printed letters on the display may come off.
- If any foreign substance such as water has entered the appliance, unplug the power and contact your nearest service center.
  - Failing to do so may result in an electric shock or fire.
- Use a clean, dry cloth to remove any foreign matter or dust from the power plug blades. Do not use a wet or damp cloth when cleaning the plug.
  - Otherwise, there is a risk of fire or electric shock.
- Do not clean the appliance by spraying water directly onto it.
- Do not use benzene, thinner, or Clorox (bleach) to clean the wine cellar.
  - They may damage the surface of the appliance and may cause a fire.
- Before cleaning or performing maintenance, unplug the appliance from the wall socket.
  - Failing to do so may result in an electric shock or fire.

# Safety Information

---

## Critical Disposal Warnings

---

### **WARNING**

- **Warning** : Risk of child entrapment. Before you throw away your old wine cellar:
  - Take off the doors and door latch.
  - Leave the shelves in place so that children may not easily climb inside.
  - Children trapped inside a wine cellar can hurt themselves or suffocate to death.
- Please dispose of the packaging material from this product in an environmentally friendly manner.
- Ensure that none of the pipes on the back of the wine cellar are damaged prior to disposal.
- R-600a is used as a refrigerant. This product contains flammable gas (Refrigerant R-600a), contact your local authority in regard to safe disposal of this product.
- Cyclopentane is used in the insulation. The gases in the insulation material require a special disposal procedure. Please contact your local authorities in regard to the environmentally safe disposal of this product.
- Keep all packaging materials well out of the reach of children, as packaging materials can be dangerous to children.
  - If a child places a bag over his or her head, the child could suffocate.

## Intended Use

---

- staff kitchen areas in shops, offices and other working environments;
- farm houses and by clients in hotels, motels and other residential type environments;
- bed and breakfast type environments;
- catering and similar non-retail applications.
- This appliance is intended for use at an elevation of no more than 2000 meters above sea level.



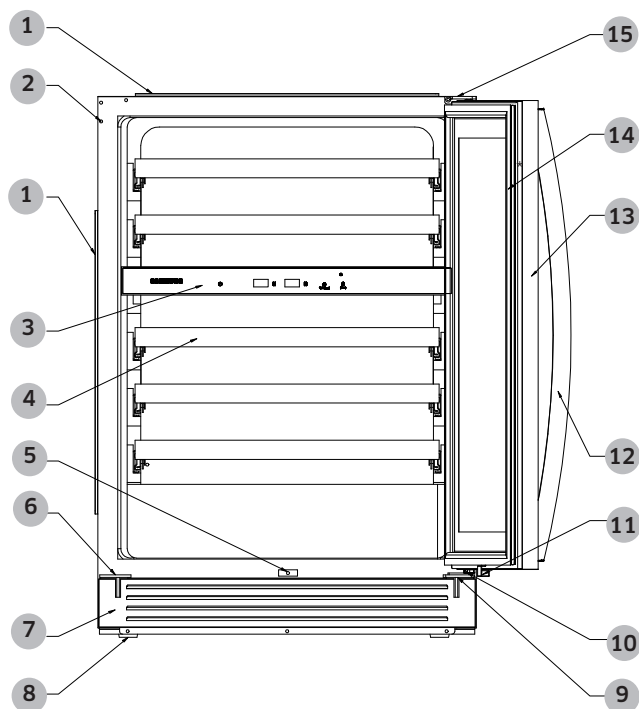
# Installation

Follow these instructions carefully to ensure a proper installation of this refrigerator and to prevent accidents before using it.

## **WARNING**

- Use the refrigerator only for its intended purpose as described in this manual.
- Any servicing must be performed by a qualified technician.
- Dispose of the product packaging material in compliance with the local regulations.
- To prevent electric shock, unplug the power cord before servicing or replacements.

## Wine Cellar at a glance

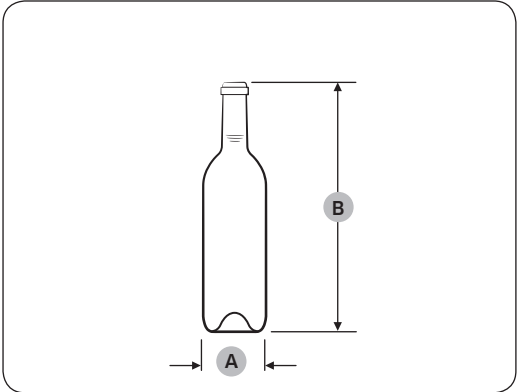


- 01 Fixing bracket
- 02 Decorative nail
- 03 Display panel
- 04 shelf
- 05 Door switch
- 06 Lower hinge module, Left
- 07 Decorative frame
- 08 Cabinet leg
- 09 Lower hinge module, Right
- 10 Door stopper
- 11 Extrusion-board of lamp switch
- 12 Handle
- 13 Door
- 14 Gasket
- 15 Top hinge module, Right

# Installation

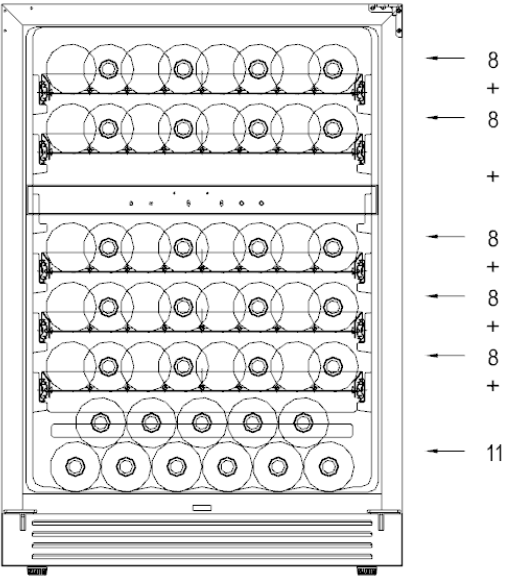
## Features

### Standard bottle size



A	$\text{Ø} 3 \frac{1}{32}'' (\text{Ø} 77)$
B	3" (301)

### Load capacity



Load capacity		Bottles
Upper zone	1	8
	2	8
Lower zone	1	8
	2	8
	3	8
	4	11
Total		51

Installation

# Installation

## Select a site

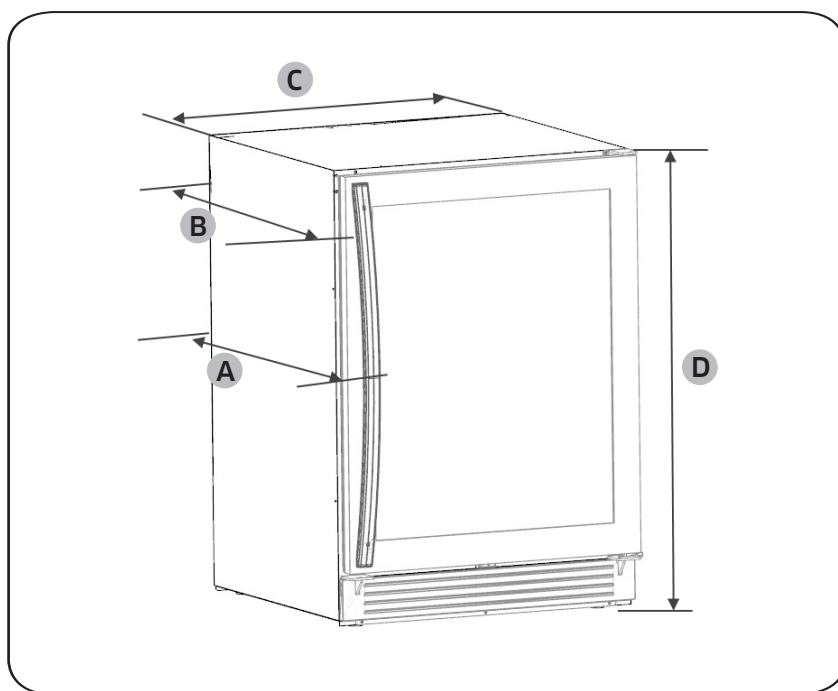
### Site requirements

- Solid, level surface without carpeting or flooring that may obstruct ventilation
- Away from direct sunlight
- Adequate room for opening and closing the door
- Away from a heat source
- Room for maintenance and servicing
- Temperature range: between 60 °F (16 °C ) and 90 °F (32 °C)

### Clearance

See the pictures and table below for space requirements for installation.

## Product Dimension

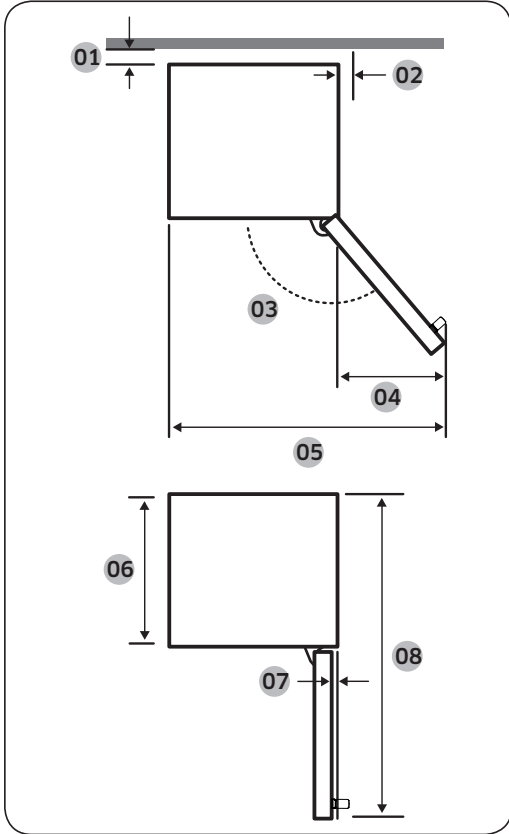


Depth (With Handle) "A"	26 " (661 mm)
Depth (Without Handle) "B"	23 <sup>13</sup> / <sub>16</sub> " (605 mm)
Width "C"	23 <sup>13</sup> / <sub>16</sub> " (605 mm)
Height "D"	34 <sup>1</sup> / <sub>16</sub> ~34 <sup>1</sup> / <sub>4</sub> " (865~870 mm)

(unit: inch (mm))

# Installation

## Product Overall Dimension



01	more than 1 1/16" (30 mm) recommended
02	1/8" (2.5 mm)
03	115°
04	11 7/16" (290 mm)
05	35 1/4" (895 mm)
06	21 7/8" (555 mm)
07	3/16" (5 mm)
08	46 3/4" (1188 mm)

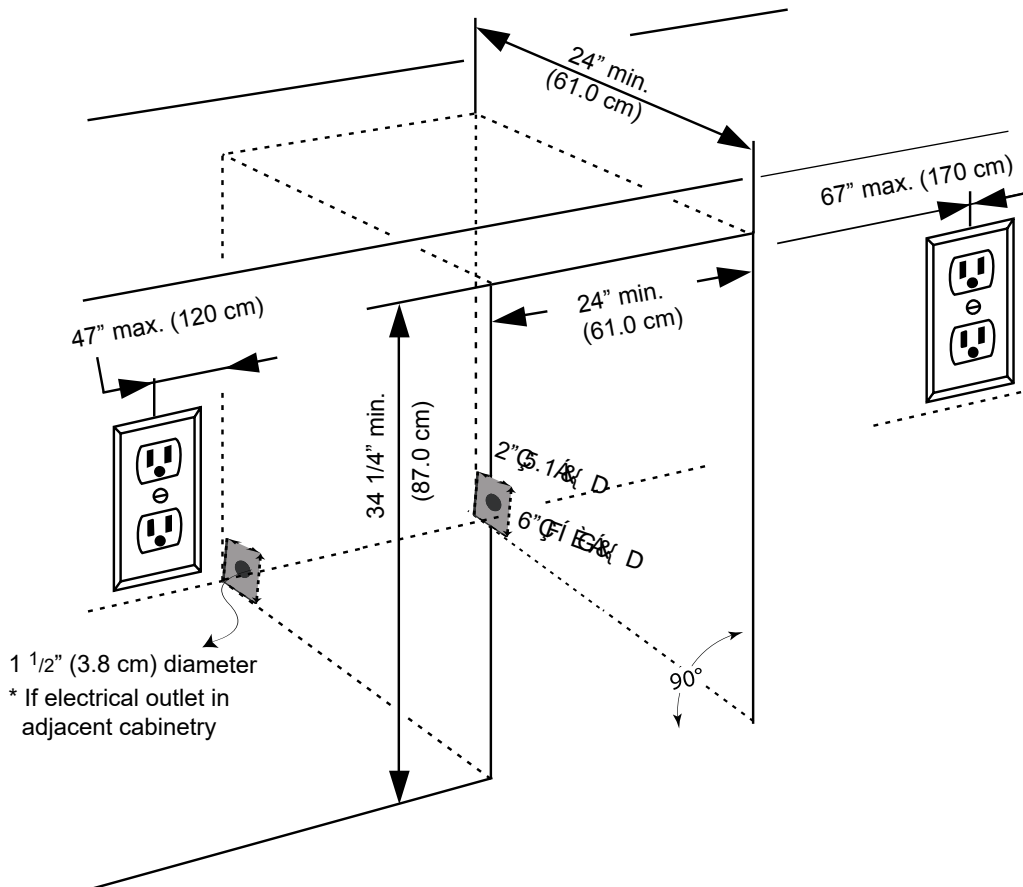
(unit: inch (mm))

### NOTE

- The measurements in the above table may differ, depending on the measuring method.
- For built-in installation, see the Installation Manual.

# Installation

## Installation specifications for built-in purposes



- Gloves and safety goggles should be worn during installation.
- It is not recommended to install the appliance into a corner or directly beside a wall. The door will need to be opened more than 90° to allow full extension of the shelves. If it is necessary to place the unit next to a wall or in a corner, leave at least 2-4 inches (5-10 cm) of space between the wall and the appliance to allow for the door opening.
- The cabinet opening must be at least 24 inches (61.0 cm) wide by 34 1/4 inches (87.0 cm) high by 24 inches (61.0 cm) deep.

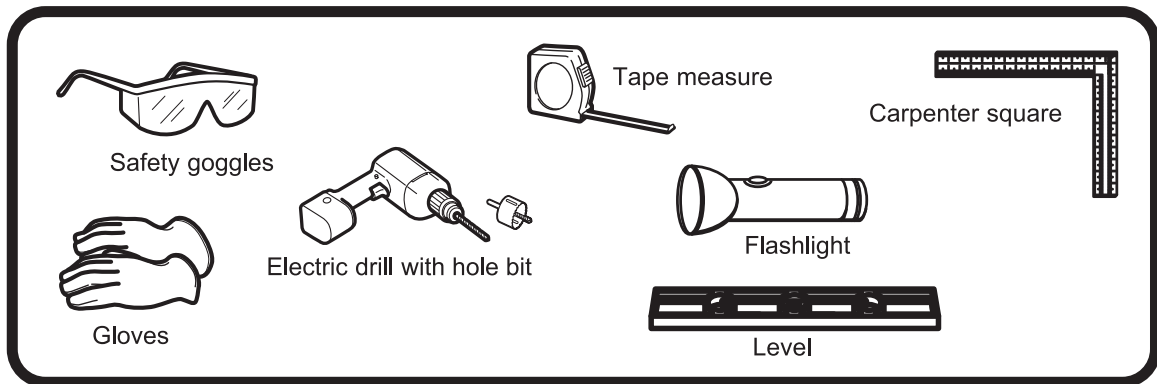
### NOTE

The listed depth requirement is assuming that the electrical outlet is located in the adjacent cabinetry or flush mounted in the rear wall, not surface mounted inside the enclosure.

If the electrical outlet is located inside adjacent cabinetry, cut a 1 1/2 inch (3.8 cm) diameter hole to admit the power cord. If the cabinet wall is metal, the hole edge must be covered with a bushing or grommet

# Installation

## Required Tools

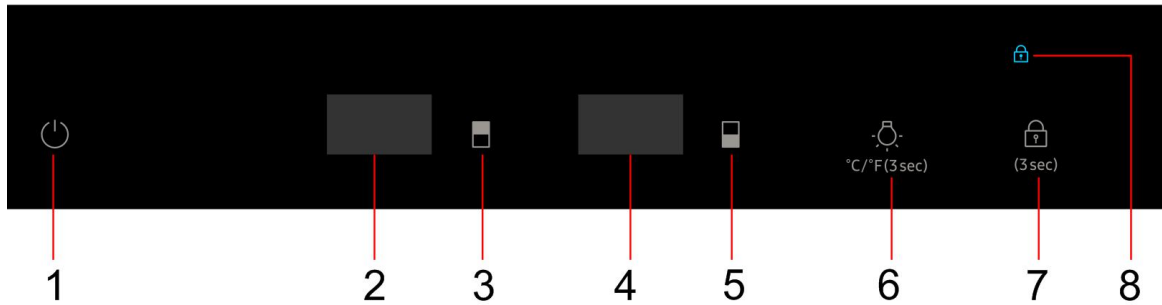


- Safety goggles
- Gloves
- Tape measure
- Carpenter square
- Level
- Flashlight
- Electric drill with hole bit



# Operations

## Control Panel





- 1 “ ” Button**  
To control this appliance turn on/off.
- 2 “ Left” Chamber**  
Upper chamber temperature display.
- 3 “ ” Button**  
It control the setting temperature for the upper compartment.
- 4 “ Right” Chamber**  
Lower chamber temperature display.
- 5 “ ” Button**  
It control the setting temperature for the lower compartment.
- 6 “ °C/°F(3sec) ”Button**  
A. touch this button will have a beeping sound, left chamber trun off and right chamber showing brightness level number of the light. If do not want to change brightness level, do not touch the control and the display will switch to temperature after 3 seconds.  
If want to change brightness level, touch this button once, brightness level number change once (level 2 → 3 → 0 → 1 → 2 ...).  
Display will return to temperature 3 seconds after finish adjustment.  
B. long press this button 3 seconds will have a beeping sound, temperature unit will switch between °C and °F.
- 7 “ (3sec) ”Button**  
Long press lock icon 3 seconds, will have a beeping sound and lock icon on .  
The system enter Lock mode to lock control panel. The system will not have action when press buttons under Lock mode.  
Long press lock icon 3 seconds under lock mode, will have a beeping sound and lock icon blinks 3 times and off, the control panel unlock. When wine cooler is locked, can not use to turn off the device.

# Operations

---

## Setting The Temperature Controls

---

- When pressing “” or “” button, the system will be entering the set up mode in the upper or lower compartment automatically. The LED will flashing and display the setting temperature. Press once the button, the temperature will increase 1°F (°C) . When exceeding the max that can be established, it will jump to the lowest adjustable temperature value automatically. After stopping pressing the button for 3 seconds, LED figure will stop flash, then revert back to display the temperature of the upper or lower actual compartment. After the unit is unplugged, the system will return to acquiescence temperature, which setting by factory

## Function Instruction

---

- The default temperature setting is 54°F (12°C) in both the upper and lower zones. The default temperature scale is °F
- To switch the display between °F and °C, press the upper and lower temperature buttons simultaneously for approximately 3-5 seconds.
- The temperature can be set as low as 45°F (5°C) or as high as 64°F (18°C).
- Actual temperature inside the appliance can vary based on ambient temperature, how often the door is opened and how many warm bottles have recently been added to the appliance.
- Each depression of the upper or lower temperature button will lower the temperature of that zone in 1°C increments
- **Temperature Recollection Function**  
In the event of a power interruption, wine cooler can remember the previous temperature settings, and when the power is recovery, the cooler temperature will go back the same setting temperature as power off.
- **Overtime Open the Door Alarm**  
If the door is open for 2 minutes, an alarm will sound.  
If the door remains open after the initial alarm, the alarm sounds every minute. Door open alarm comes with sound and flashing lights inside.

# Operations

- **Overtime Open the Door Alarm**

If the door is open for 2 minutes, an alarm will sound.

If the door remains open after the initial alarm, the alarm sounds every minute. Door open alarm comes with sound and flashing lights inside.

- **Temperature Alarm**

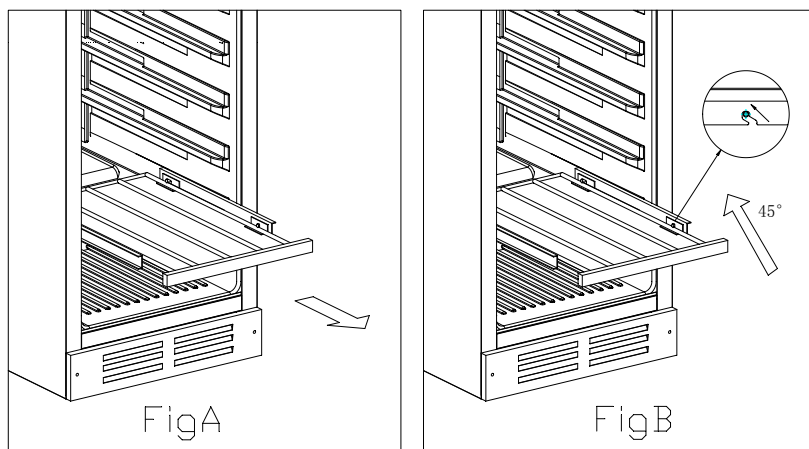
If inner temperature is higher than 23°C, The “HI” is shown in display panel, and the buzzer alarm after one hour continuously. It inform that the inner temperature is too high, please check the reason.

If inner temperature is lower than 0°C, The “LO” is shown in display panel, and the buzzer alarm and the malfunction indicator light light at the same time.

## NOTE

If the unit is unplugged, power lost, or turned off, you must wait 3 to 5 minutes before restart the unit. If you need attempt to restart before this time delay, the Wine cooler will not start. If first time use or longer absence of using, the temperature will difference between setting and LED display temperature. After running a period, the temperature will be reverting back.

## Shelves



- **To Remove Shelves:**

1. Fully extend the shelf you wish to remove (Fig. A)
2. Lift the front of the shelf up 45° (Fig. B)

## NOTE

Do not cover racks with aluminum foil or any other material that will prevent adequate air circulation within the cabinet.

# Care and Maintenance

---

## Cleaning

---

### **CLEAN YOUR WINE COOLER**

- Turn off the power, unplug the appliance, and remove all items including shelves and rack.
- Wash the inside surfaces with a warm water and mild solution.
- Wash the shelves with a mild detergent solution.
- Wring excess water out of the sponge or cloth when cleaning area of the controls, or any electrical parts.
- Wash the outside cabinet with warm water and mild liquid detergent. Rinse well and wipe dry with a clean soft cloth.

### **POWER FAILURE**

- Most power failures are corrected within a few hours and should not affect the temperature of your appliance if you minimize the number of times the door is opened. If the power is going to be off for a long period of time, you need to take the proper steps to protect your contents.

### **VACATION TIME**

- Short vacations: Leave the Wine cooler operating during vacations of less than three weeks.
- If the appliance will not be used for several months, remove all items and turn off the appliance. Clean and dry the interior thoroughly. To prevent odor and mold growth, leave the door open slightly: blocking it open if necessary.

### **MOVE YOUR WINE COOLER**

- Remove all items.
- Take out the loose items inside the wine cooler (such as shelf), or fix the loose items with the foam.
- Turn the adjustable leg up to the base to avoid damage.
- Tape the door shut.
- Be sure the appliance stays secure in the upright position during transportation. Also protect outside of appliance with a blanket or similar items.

### **ENERGY SAVING TIPS**

- The Wine cooler should be located in the coolest area of the room, away from producing appliances, and out of the direct sunlight.

ALL THE APPLIANCES ARE DESIGNED WITH LED LIGHTS, IF LED LIGHT DAMAGE, PLEASE CONTACT WITH AFTER-SALE SERVICE TO REPLACE IT.

# Troubleshooting

Before calling for service, review the checkpoints below. Any service calls regarding normal situations (No Defect Cases) will be charged to users.

## General

### Temperature

Symptom	Possible causes	Solution
Wine cellar does not operate. Wine cellar temperature is warm.	<ul style="list-style-type: none"><li>Power cord is not plugged in properly.</li></ul>	<ul style="list-style-type: none"><li>Properly plug in the power cord.</li></ul>
	<ul style="list-style-type: none"><li>The appliance is turned off</li></ul>	<ul style="list-style-type: none"><li>Turn on the appliance.</li></ul>
	<ul style="list-style-type: none"><li>The circuit breaker tripped or a blown fuse.</li></ul>	<ul style="list-style-type: none"><li>Check the circuit breaker.</li></ul>
	<ul style="list-style-type: none"><li>The wine cellar is overloaded. Wine is blocking the wine cellar vents.</li></ul>	<ul style="list-style-type: none"><li>Do not overload the wine cellar. Do not allow wine to block ventilation.</li></ul>
Wine cellar is over-cooling.	<ul style="list-style-type: none"><li>Temperature control is not set correctly.</li></ul>	<ul style="list-style-type: none"><li>Set the temperature higher.</li></ul>

### Odors

Symptom	Possible causes	Solution
Wine cellar has odors.	<ul style="list-style-type: none"><li>It might be the smell from the wine rack.</li></ul>	<ul style="list-style-type: none"><li>Clean the wine cellar and open the door for a while.</li></ul>

### Condensation

Symptom	Possible causes	Solution
Condensation forms on the interior walls.	<ul style="list-style-type: none"><li>If door is left open, moisture enters the wine cellar.</li></ul>	<ul style="list-style-type: none"><li>Remove the moisture and do not open the door for a long time.</li></ul>

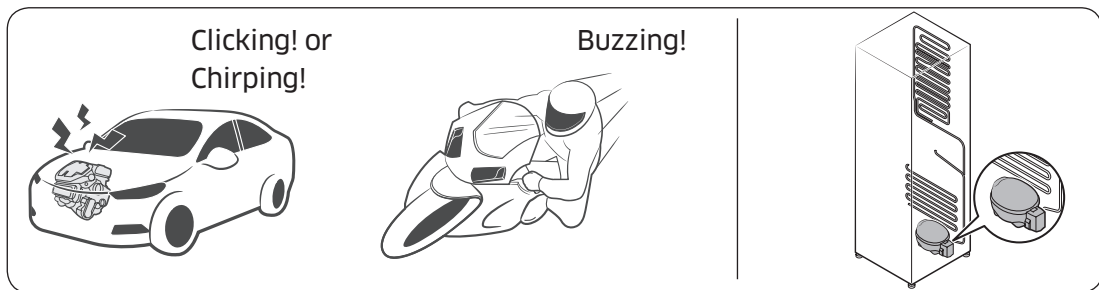
# Troubleshooting

## Abnormal Sounds

Before calling for service, review the checkpoints below. Any service calls related to normal sounds will be charged to the user.

### These sounds are normal.

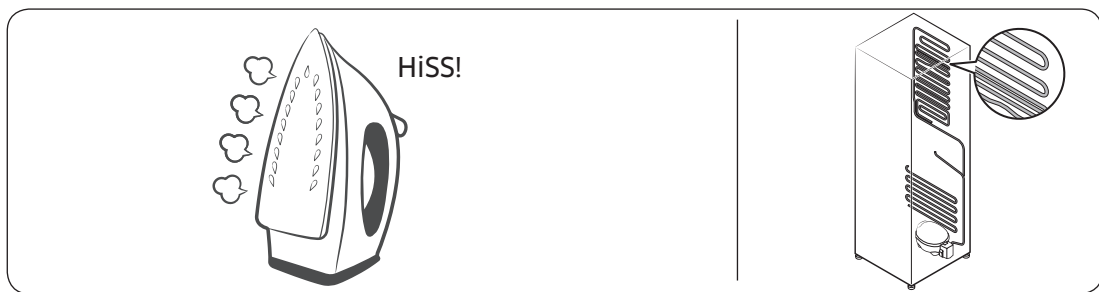
- When starting or ending an operation, the wine cellar may make sounds similar to a car engine starting. As the operation stabilizes, the sounds will decrease.



- While the fan is operating, these sounds may occur. When the wine cellar reaches the set temperature, no fan sound should occur.



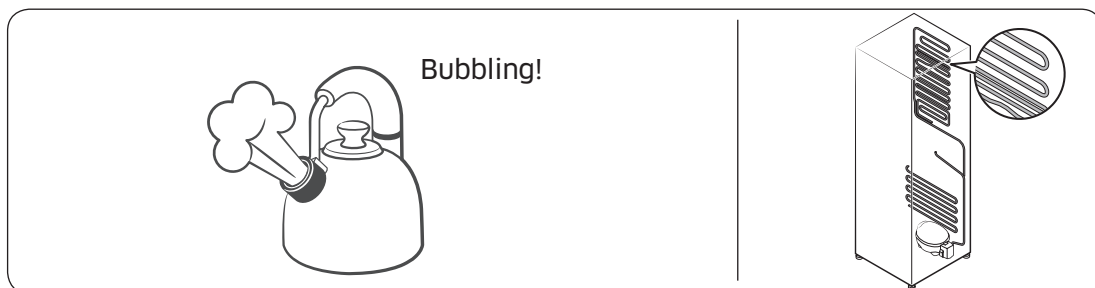
- During a defrost cycle, water may drip on the defrost heater, causing sizzling sounds.



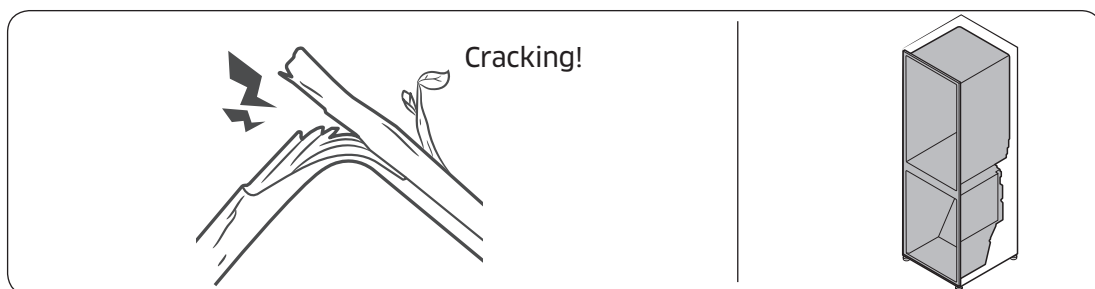


# Troubleshooting

- As the wine cellar cools refrigerant gas moves through sealed pipes, causing bubbling sounds.



- As the wine cellar temperature increases or decreases, plastic parts contract and expand, creating knocking noises. These noises occur during the defrosting cycle or when electronic parts are working.



- Due to pressure equalizing when opening and closing the wine cellar door, whooshing sounds may occur.

# LIMITED WARRANTY (U.S.A.)

---

## SAMSUNG REFRIGERATOR

---

### LIMITED WARRANTY TO ORIGINAL CONSUMER PURCHASER WITH PROOF OF PURCHASE

This SAMSUNG brand product, as supplied and distributed by Samsung Electronics America, Inc. (SAMSUNG) and delivered new, in the original carton to the original consumer purchaser, is warranted by SAMSUNG against manufacturing defects in materials or workmanship for the limited warranty period of:

**One (1) year parts and labor**

**Five (5) years parts and labor on Sealed Refrigeration System Only (Compressor, Evaporator, Condenser, Drier, and Connecting Tubing)**

**Ten (10) years part and Five (5) years labor on Digital Inverter Compressor Only**

This limited warranty is valid only on products purchased and used in the United States that have been installed, operated, and maintained according to the instructions attached to or furnished with the product.

To receive warranty service, the purchaser must contact SAMSUNG at the address or phone number provided below for problem determination and service procedures.

Warranty service can only be performed by a SAMSUNG authorized service center.

The original dated bill of sale must be presented upon request as proof of purchase to SAMSUNG or SAMSUNG's authorized service center to receive warranty service.

SAMSUNG will provide in-home service within the contiguous United States during the warranty period at no charge, subject to availability of SAMSUNG authorized servicers within the customer's geographic area.

If in-home service is not available, SAMSUNG may elect, at its option, to provide transportation of the product to and from an authorized service center.

If the product is located in an area where service by a SAMSUNG authorized servicer is not available, you may be responsible for a trip charge or required to bring the product to a SAMSUNG authorized service center for service.

To receive in-home service, product must be unobstructed and accessible to the service agent.

During the applicable warranty period, a product will be repaired, replaced, or the purchase price refunded, at the sole option of SAMSUNG.

SAMSUNG may use new or reconditioned parts in repairing a product, or replace the product with a new or reconditioned product.

Replacement parts and products are warranted for the remaining portion of the original product's warranty or ninety (90) days, whichever is longer.

All replaced parts and products are the property of SAMSUNG and you must return them to SAMSUNG.

# LIMITED WARRANTY (U.S.A.)

---

This limited warranty covers manufacturing defects in materials or workmanship encountered in normal household, noncommercial use of this product and shall not cover the following: damage that occurs in shipment, delivery, installation, and uses for which this product was not intended; damage caused by unauthorized modification or alteration of the product; product where the original factory serial numbers have been removed, defaced, changed in any way, or cannot be readily determined; cosmetic damage including scratches, dents, chips, and other damage to the product's finishes; damage caused by abuse, misuse, pest infestations, accident, fire, floods, or other acts of nature or God; damage caused by use of equipment, utilities, services, parts, supplies, accessories, applications, installations, repairs, external wiring or connectors not supplied or authorized by SAMSUNG; damage caused by incorrect electrical line current, voltage, fluctuations and surges; damage caused by failure to operate and maintain the product according to instructions; in-home instruction on how to use your product; and service to correct installation not in accordance with electrical or plumbing codes or correction of household electrical or plumbing (i.e., house wiring, fuses, or water inlet hoses). The cost of repair or replacement under these excluded circumstances shall be the customer's responsibility.

Visits by an authorized servicer to explain product functions, maintenance or installation are not covered by this limited warranty. Please contact SAMSUNG at the number below for assistance with any of these issues.

## EXCLUSION OF IMPLIED WARRANTIES

IMPLIED WARRANTIES, INCLUDING THE IMPLIED WARRANTIES OF MERCHANTABILITY OR FITNESS FOR A PARTICULAR PURPOSE, ARE LIMITED TO ONE YEAR OR THE SHORTEST PERIOD ALLOWED BY LAW.

Some states do not allow limitations on how long an implied warranty lasts, so the above limitations or exclusions may not apply to you.

This warranty gives you specific rights, and you may also have other rights, which vary from state to state.

# LIMITED WARRANTY (U.S.A.)

---

## LIMITATION OF REMEDIES

YOUR SOLE AND EXCLUSIVE REMEDY IS PRODUCT REPAIR, PRODUCT REPLACEMENT, OR REFUND OF THE PURCHASE PRICE AT SAMSUNG'S OPTION, AS PROVIDED IN THIS LIMITED WARRANTY. SAMSUNG SHALL NOT BE LIABLE FOR SPECIAL, INCIDENTAL OR CONSEQUENTIAL DAMAGES, INCLUDING BUT NOT LIMITED TO TIME AWAY FROM WORK, HOTELS AND/OR RESTAURANT MEALS, REMODELING EXPENSES, LOSS OF REVENUE OR PROFITS, FAILURE TO REALIZE SAVINGS OR OTHER BENEFITS REGARDLESS OF THE LEGAL THEORY ON WHICH THE CLAIM IS BASED, AND EVEN IF SAMSUNG HAS BEEN ADVISED OF THE POSSIBILITY OF SUCH DAMAGES. Some states do not allow exclusion or limitation of incidental or consequential damages, so the above limitations or exclusions may not apply to you. This warranty gives you specific rights, and you may also have other rights, which vary from state to state.

SAMSUNG does not warrant uninterrupted or error-free operation of the product. No warranty or guarantee given by any other person, firm, or corporation with respect to this product shall be binding on SAMSUNG.

To obtain warranty service, please contact SAMSUNG at:

Samsung Electronics America, Inc. 85 Challenger Road  
Ridgefield Park, NJ 07660  
1-800-SAMSUNG (726-7864)  
1-844-SAM-PAYS (726-7297)  
[www.samsung.com/us/support](http://www.samsung.com/us/support)

# Memo

---

# SAMSUNG

## Contact SAMSUNG WORLD WIDE

If you have any questions or comments relating to Samsung products, please contact the SAMSUNG Customer Care Center.

Country	Contact Center	Web Site
U.S.A	1-800-SAMSUNG (726-7864) 1-844-SAM-PAYS (726-7297)	<a href="http://www.samsung.com/us/support">www.samsung.com/us/support</a>

