

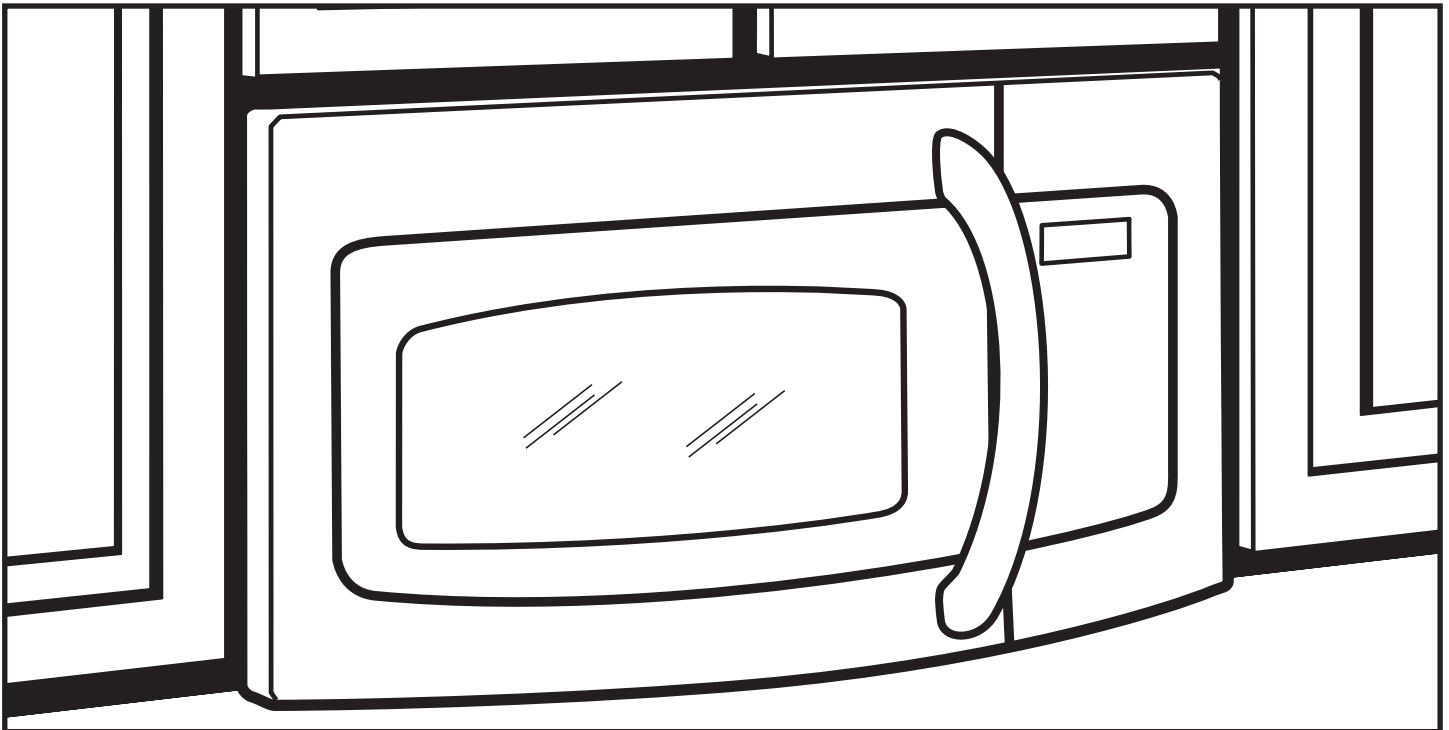
# Installation Instructions

# Over the Range Microwave Oven

## BEFORE YOU BEGIN

Read these instructions completely and carefully.

- **IMPORTANT** — Save these instructions for local inspector's use.
- **IMPORTANT** — Observe all governing codes and ordinances.
- **Note to Installer** — Be sure to leave these instructions with the Consumer.
- **Note to Consumer** — Keep these instructions for future reference.
- **Skill level** — Installation of this appliance requires basic mechanical and electrical skills.
- Proper installation is the responsibility of the installer.
- Product failure due to improper installation is not covered under the Warranty.



English/Spanish

**READ CAREFULLY.  
KEEP THESE INSTRUCTIONS.**

# Installation Instructions

**!** This is the safety alert symbol. This symbol alerts you to potential hazards that can kill or hurt you and others. All safety messages will follow the safety alert symbol and the word “DANGER”, “WARNING”, or “CAUTION”. These words are defined as:

## **! DANGER**

Indicates a hazardous situation which, if not avoided, will result in death or serious injury.

## **! WARNING**

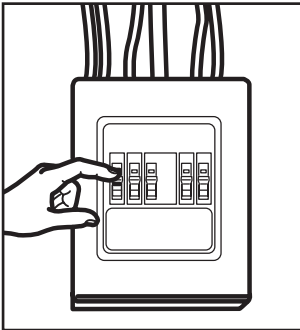
Indicates a hazardous situation which, if not avoided, could result in death or serious injury.

## **! CAUTION**

Indicates a hazardous situation which, if not avoided, could result in minor or moderate injury.

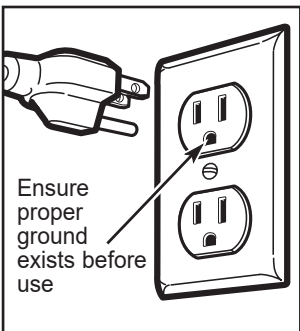
## IMPORTANT SAFETY INSTRUCTIONS

A qualified electrician must perform a ground continuity check on the wall receptacle before beginning the installation to ensure that the outlet box is properly grounded. If not properly grounded, or if the wall receptacle does not meet electrical requirements noted (under ELECTRICAL REQUIREMENTS), a qualified electrician should be employed to correct any deficiencies.



## **! WARNING**

**Risk of Electric Shock. Can cause injury or death: Remove house fuse or open circuit breaker before beginning installation to avoid severe or fatal shock injury.**



## **! WARNING**

**Risk of Electric Shock. Can cause injury or death: THIS APPLIANCE MUST BE PROPERLY GROUNDED to avoid severe or fatal shock.**

The power cord of this appliance is equipped with a three-prong (grounding) plug which mates with a standard three-prong (grounding) wall receptacle to minimize the possibility of electric shock hazard from this appliance.

Where a standard two-prong wall receptacle is encountered, it must be replaced with a properly grounded three-prong wall receptacle, installed by a qualified electrician.

## RISK OF ELECTRIC SHOCK

## **! WARNING**

**Can cause injury or death: DO NOT, under any circumstances, cut, deform or remove any of the prongs from the power cord. Do not use with an extension cord. Failure to comply may cause fire.**

## ELECTRICAL REQUIREMENTS

Product rating is 120 volts AC, 60 Hertz, 14.5 amps and 1.7 kilowatts. This product must be connected to a supply circuit of the proper voltage and frequency. Wire size must conform to the requirements of the National Electrical Code or the prevailing local code for this kilowatt rating. The power supply cord and plug should be brought to a separate 15- to 20-ampere branch circuit single grounded outlet. The outlet box should be located in the cabinet above the microwave oven. The outlet box and supply circuit should be installed by a qualified electrician and conform to the National Electrical Code or the prevailing local code.

## FOR YOUR SAFETY:

## **! CAUTION**

**For personal safety,** the mounting surface must be capable of supporting the cabinet load, in addition to the added weight of this 63–85 pound product, plus additional oven loads of up to 50 pounds or a total weight of 113–135 pounds.

## **! CAUTION**

**For personal safety,** this product cannot be installed in cabinet arrangements such as an island or a peninsula. It must be mounted to BOTH a top cabinet AND a wall.

## **! CAUTION**

**To avoid the risk of personal injury** (back injury or other injuries due to excessive weight of the microwave oven) or property damage, you will need two people to install this microwave oven.

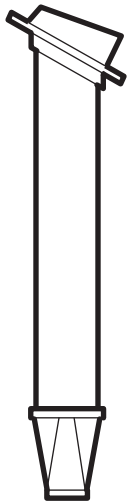
# Installation Instructions

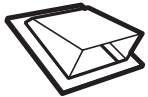


## HOOD EXHAUST

NOTE: Read these next two pages only if you plan to vent your exhaust to the outside. If you plan to recirculate the air back into the room, proceed to page 11.

### OUTSIDE TOP EXHAUST (EXAMPLE ONLY)

The following chart describes an example of one possible ductwork installation.

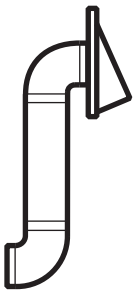





DUCT PIECES		EQUIVALENT LENGTH	x	NUMBER USED	=	LENGTH
	Roof Cap	24 Ft.	x	(1)	=	24 Ft.
	12 Ft. Straight Duct (6" Round)	12 Ft.	x	(1)	=	12 Ft.
	Rectangular-to-Round Transition Adaptor*	5 Ft.	x	(1)	=	5 Ft.
Equivalent lengths of duct pieces are based on actual tests and reflect requirements for good venting performance with any vent hood. <b>Total Length =</b>						<b>41 Ft.</b>

\* **IMPORTANT:** If a rectangular-to-round transition adaptor is used, the bottom corners of the damper will have to be cut to fit, using the tin snips, in order to allow free movement of the damper.

### OUTSIDE BACK EXHAUST (EXAMPLE ONLY)

The following chart describes an example of one possible ductwork installation.



DUCT PIECES		EQUIVALENT LENGTH*	x	NUMBER USED	=	LENGTH
	Wall Cap	40 Ft.	x	(1)	=	40 Ft.
	3 Ft. Straight Duct (3¼" x 10" Rectangular)	3 Ft.	x	(1)	=	3 Ft.
	90° Elbow	10 Ft.	x	(2)	=	20 Ft.
Equivalent lengths of duct pieces are based on actual tests and reflect requirements for good venting performance with any vent hood. <b>Total Length =</b>						<b>63 Ft.</b>

**NOTE:** For back exhaust, care should be taken to align exhaust with space between studs, or wall should be prepared at the time it is constructed by leaving enough space between the wall studs to accommodate exhaust.

# Installation Instructions

**NOTE:** If you need to install ducts, note that the total duct length of 3¼" x 10" rectangular or 6" diameter round duct **should not exceed 140 equivalent feet.**

Outside ventilation requires a HOOD EXHAUST DUCT. Read the following carefully.

**NOTE:** It is important that venting be installed using the most direct route and with as few elbows as possible. This ensures clear venting of exhaust and helps prevent blockages. **Also, make sure dampers swing freely and nothing is blocking the ducts.**

### Exhaust connection:





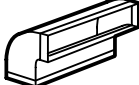



The hood exhaust has been designed to mate with a standard 3¼" x 10" rectangular duct.

If a round duct is required, a rectangular-to-round transition adaptor must be used. **Do not use less than a 6" diameter duct.**

### Maximum duct length:

For satisfactory air movement, the total duct length of 3¼" x 10" rectangular or 6" diameter round duct **should not exceed 140 equivalent feet.**

**Elbows, transitions, wall and roof caps, etc.,** present additional resistance to airflow and are equivalent to a section of straight duct which is longer than their actual physical size. When calculating the total duct length, add the equivalent lengths of all transitions and adaptors plus the length of all straight duct sections. The chart below shows you how to calculate total equivalent ductwork length using the approximate feet of equivalent length of some typical ducts.

DUCT PIECES	EQUIVALENT LENGTH	x	NUMBER USED	=	LENGTH
 Rectangular-to-Round Transition Adaptor*	5 Ft.	x	( )	=	Ft.
 Wall Cap	40 Ft.	x	( )	=	Ft.
 90° Elbow	10 Ft.	x	( )	=	Ft.
 45° Elbow	5 Ft.	x	( )	=	Ft.
 90° Elbow	25 Ft.	x	( )	=	Ft.
 45° Elbow	5 Ft.	x	( )	=	Ft.
 Roof Cap	24 Ft.	x	( )	=	Ft.
 Straight Duct 6" Round or 3¼" x 10" Rectangular	1 Ft.	x	( )	=	Ft.
<b>Total Ductwork</b>				<b>=</b>	<b>Ft.</b>



**\* IMPORTANT:** If a rectangular-to-round transition adaptor is used, the bottom corners of the damper will have to be cut to fit, using the tin snips, in order to allow free movement of the damper.

Equivalent lengths of duct pieces are based on actual tests and reflect requirements for good venting performance with any vent hood.


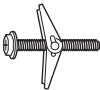




# Installation Instructions

## DAMAGE – SHIPMENT INSTALLATION

- If the unit is damaged in shipment, return the unit to the store in which it was bought for repair or replacement.
- If the unit is damaged by the customer, repair or replacement is the responsibility of the customer.
- If the unit is damaged by the installer (if other than the customer), repair or replacement must be made by arrangement between customer and installer.

## PARTS INCLUDED

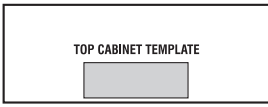
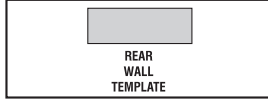



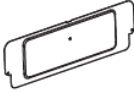
### HARDWARE PACKET

Part	Quantity
 Wood screws (1/4" x 2")	2
 Toggle bolts (and wind nuts) (3/16" x 3")	2
 Self-aligning machine screws (1/4" - 28 x 3 1/4")	2
 Nylon Grommet (for metal cabinets)	1
 Tapping screws (for attaching the damper duct connector)	3
 One power cord clamp and One dark-colored mounting screw (to hold the power cord)	1

You will find the installation hardware contained in a packet with the unit. Check to make sure you have all these parts.

**NOTE:** Some extra parts are included.

## ADDITIONAL PARTS

Part	Quantity
 TOP CABINET TEMPLATE	1
 REAR WALL TEMPLATE	1
 INSTALLATION INSTRUCTIONS	1
	2
	1
	1

# Installation Instructions

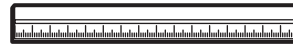
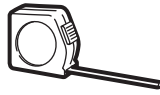
## TOOLS YOU WILL NEED



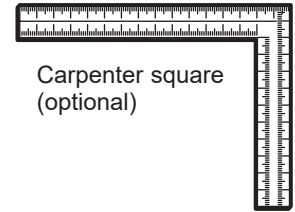
#1 and #2  
Phillips  
screwdriver



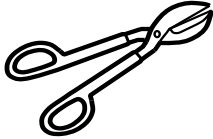
Pencil



Ruler or tape measure and  
straight edge



Carpenter square  
(optional)



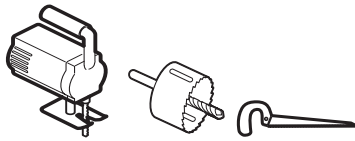
Tin snips (for cutting  
damper, if required)



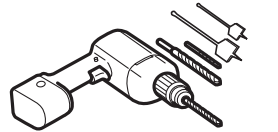
Scissors (to cut  
template, if necessary)



Gloves



Saw (saber, hole or keyhole)



Electric drill with  $\frac{3}{16}$ ",  $\frac{7}{16}$ ",  
 $\frac{1}{2}$ " and  $\frac{5}{8}$ " drill bits



Filler blocks or scrap  
wood pieces, if needed  
for top cabinet spacing  
(used on recessed  
bottom cabinet  
installations only)



Safety goggles



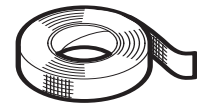
Level



Stud  
finder

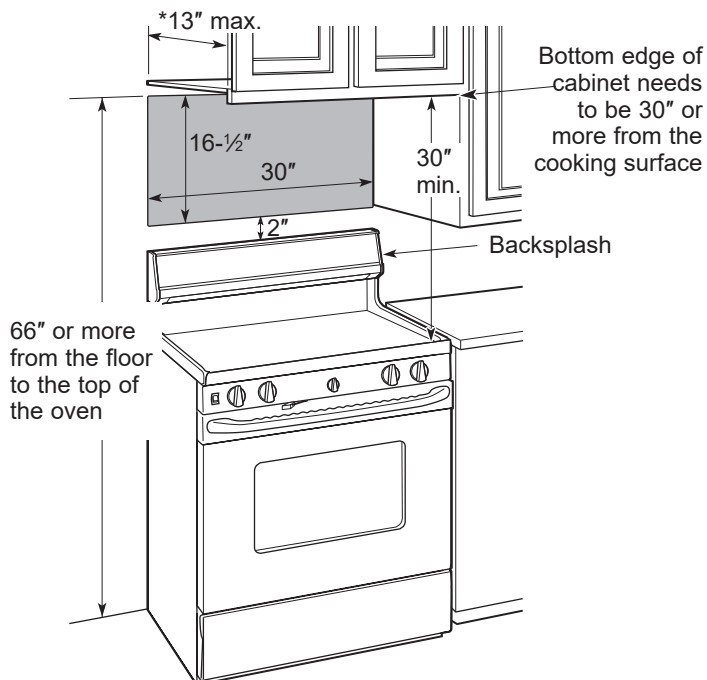


Hammer (optional)



Duct and masking  
tape

## MOUNTING SPACE



### NOTES:

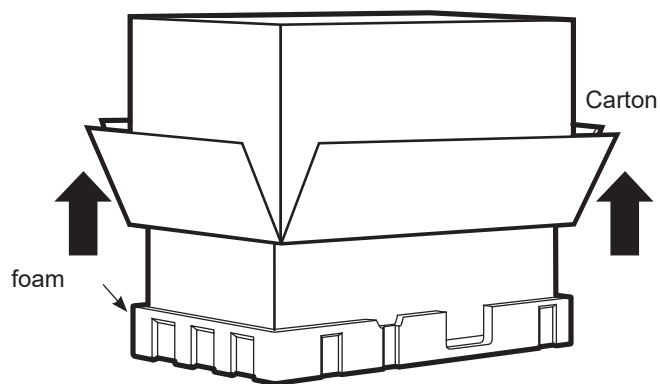
- The space between the cabinets must be 30" wide and free of obstructions.
- This oven is for installation over ranges up to 36" wide.
- If the space between the cabinets is greater than 30", a Filler Panel Kit may be used to fill in the gap between the microwave oven and the cabinets. Your Owner's Manual contains the kit number for your model.
- If you are going to vent your oven to the outside, see Hood Exhaust Section for exhaust duct preparation.
- When installing the oven beneath smooth, flat cabinets, be careful to follow the instructions on the top cabinet template for power cord clearance.
- **\* 13" max: for standard installation, 15" cabinet depth requires additional steps using an additional installation kit JX15BUMPWW/BB.**
- For models with top venting holes: Do not allow cabinetry or other objects to block the airflow of the vent.
- Café branded over-the-range microwaves should only be installed over Café branded ranges. Installation over any other range may result in surface temperatures that can cause burns.
- All other over-the-range microwaves should not be installed over any cooktop or range with a combined BTU greater than 60,000 BTU.

# Installation Instructions

## 1 PLACEMENT OF THE MOUNTING PLATE

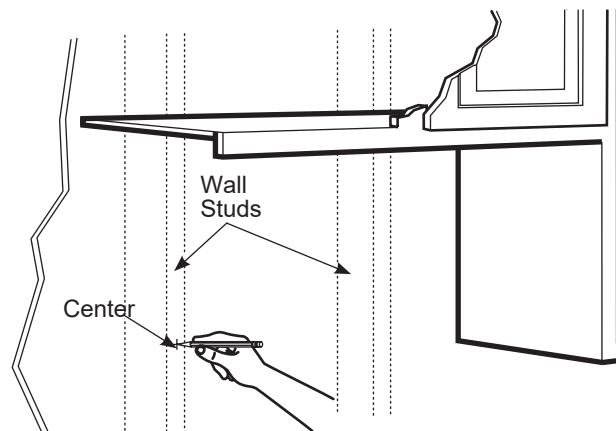
### A. REMOVING THE MICROWAVE OVEN FROM THE CARTON

- 1 Remove the installation instructions, filters, glass tray, mounting plate, and the small hardware bag. Do not remove the foam protecting the front of the oven.
- 2 Fold back all 4 carton flaps fully against carton sides. Then carefully roll the oven and carton over onto the top side. The oven should be resting in the foam.



- 3 Pull the carton up and off the oven.
- 4 Set the oven upright. Remove and properly discard plastic bags and foam packing.

### B. FINDING THE WALL STUDS



- 1 Find the studs, using one of the following methods:
  - A. Stud finder – a magnetic device which locates nails.

**OR**

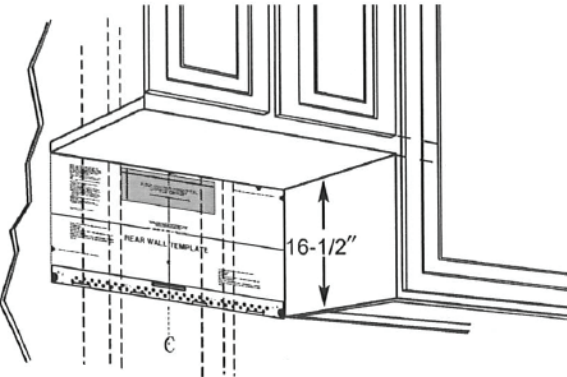
  - B. Use a hammer to tap lightly across the mounting surface to find a solid sound. This will indicate a stud location.
- 2 After locating the stud(s), find the center by probing the wall with a small nail to find the edges of the stud. Then place a mark halfway between the edges. The center of any adjacent studs should be 16" or 24" from this mark.
- 3 Draw a line down the center of the studs.

**THE MICROWAVE MUST BE CONNECTED TO AT LEAST ONE WALL STUD.**

# Installation Instructions

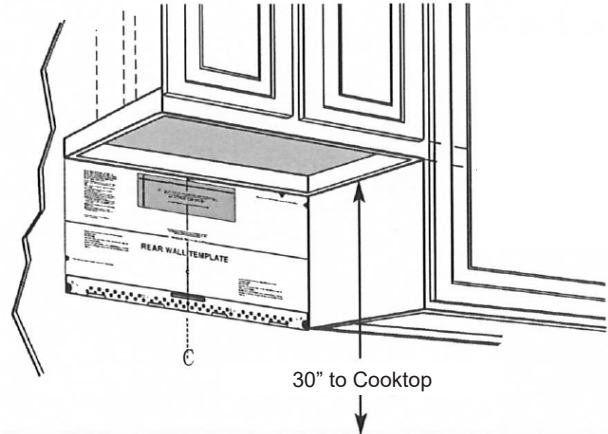
## C DETERMINING MOUNTING PLATE LOCATION UNDER YOUR CABINET

### Plate Position – beneath flat bottom cabinet



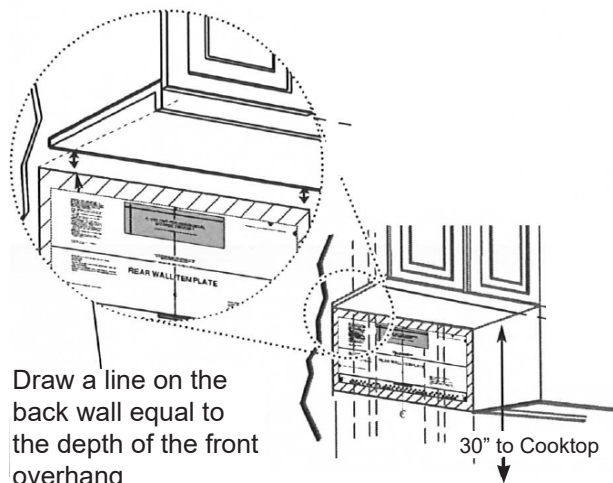
Draw a vertical line on the wall at the center of the 30" wide space. Tape the Rear Wall Template onto the wall matching the centerline and touching the bottom of the cabinet

### Plate Position – beneath framed recessed cabinet bottom



Draw a vertical line on the wall at the center of the 30" space.  
Tape the Rear Wall Template onto the wall matching the centerline and touching the bottom cabinet frame.

### Plate Position – beneath recessed bottom cabinet with front overhang.



Draw a line on the back wall equal to the depth of the front overhang

Your cabinets may have decorative trim that interferes with the microwave installation. Remove the decorative trim to install the microwave properly and to make it level.

### THE MICROWAVE MUST BE LEVEL

Use a level to make sure the cabinet bottom is level.

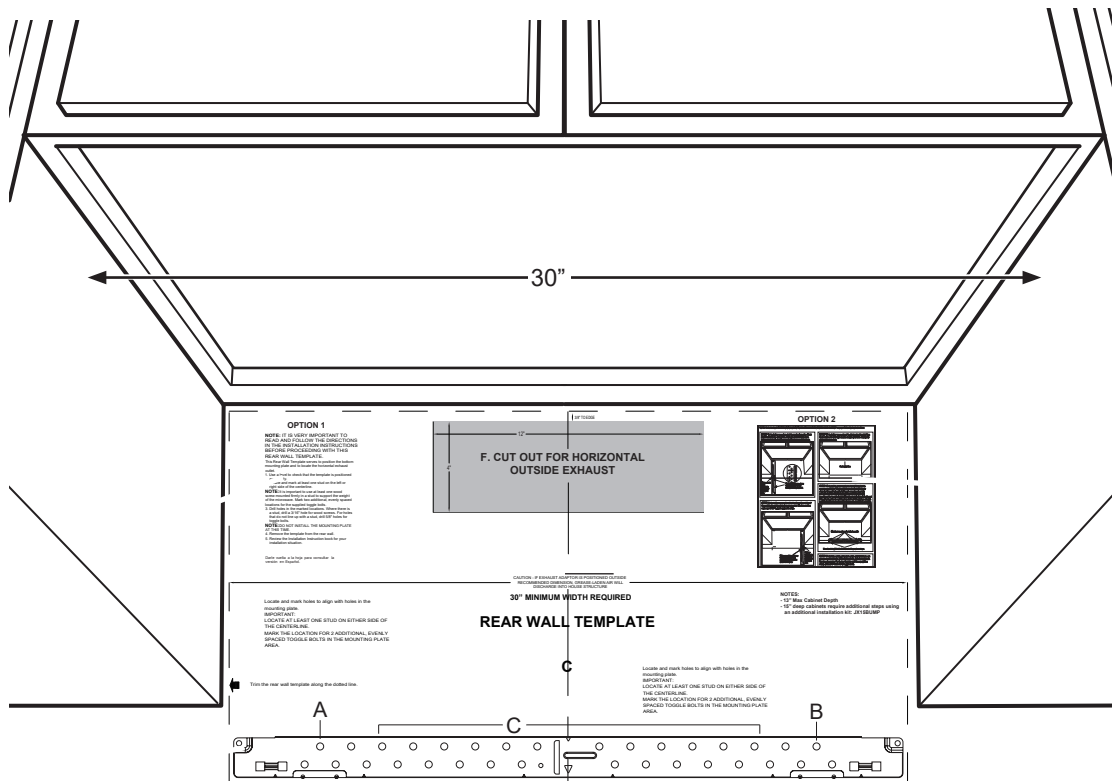
If the cabinets have a front overhang only, with no back or side frame, install the mounting plate down the same distance as the front overhang depth. This will keep the microwave level.

- 1 Measure the inside depth of the front overhang.
- 2 Draw a horizontal line on the back wall an equal distance below the cabinet bottom as the inside depth of the front overhang.
- 3 For this type of installation with front overhang only, align the Rearwall Template with this horizontal line, not touching the cabinet bottom as described in Step D.



# Installation Instructions

## D MARKING THE MOUNTING HOLES OPTION 1: USE PAPER REAR WALL TEMPLATE



**CAUTION** Wear gloves to avoid cutting fingers on sharp edges.

**WARNING** Risk of electric shock. Can cause injury or death. Take care to not drill into electrical wiring inside walls or cabinets.

This Rear Wall Template serves to locate the mounting holes for the bottom mounting plate and to locate the horizontal exhaust outlet.

1. Use a level to check that the template is positioned accurately.
2. Locate and mark at least one stud on the left or right side of the centerline.

**NOTE:** It is important to use at least one wood screw mounted firmly in a stud to support the weight of the microwave.

3. Mark the hole location on the wall using the template at holes A and B. Mark at least one hole location in area C that lines up with the location of a stud. A minimum of three holes must be used for mounting.
4. Drill holes in the marked locations. Where there is a stud, drill a 3/16" hole for wood screws. For holes that do not line up with a stud, drill 5/8" holes for toggle bolts.

**NOTE: DO NOT INSTALL THE MOUNTING PLATE AT THIS TIME**

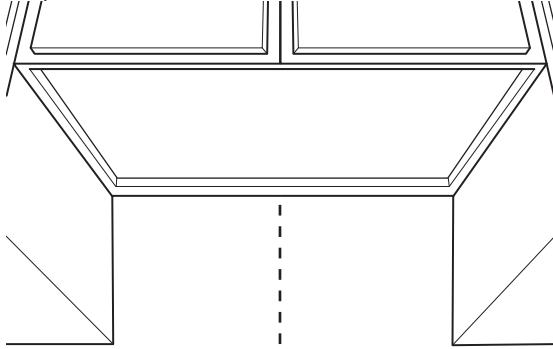
5. Remove the template from the rear wall.

# Installation Instructions

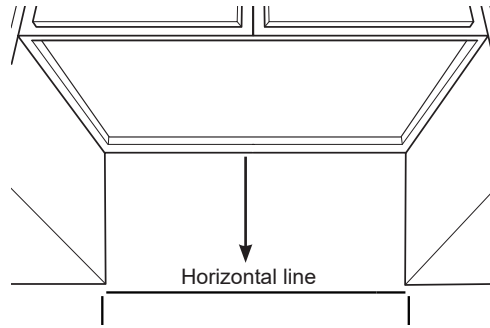
## D MARKING THE MOUNTING HOLES OPTION 2: USE METAL BRACKET AS TEMPLATE

**NOTE:** Refer to step C "DETERMINING MOUNTING PLATE LOCATION UNDER YOUR CABINET on page 8 for aligning instructions.

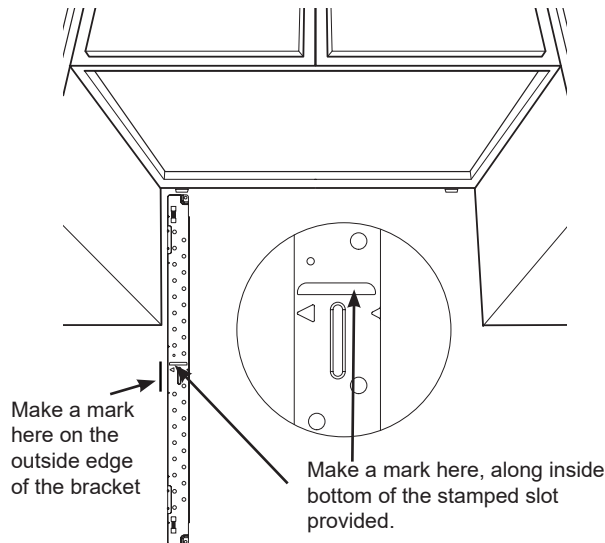
**STEP 1:** Draw a vertical line on the wall at the center of the 30" space.



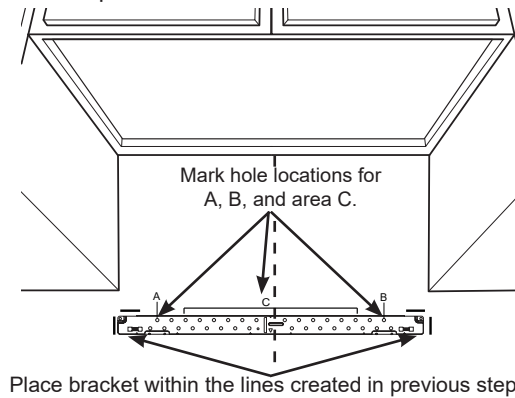
**STEP 4:** Installer uses a level to draw a horizontal line that connects the two marks made with the stamped slot in the bracket.



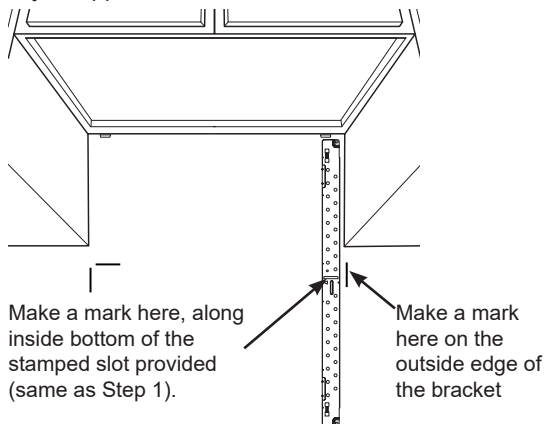
**STEP 2:** Installer uses bracket to make 2 marks. First mark is made by using the stamped slot in bracket. Second mark is made on the outside edge of bracket.



**STEP 5:** Installer places the mounting bracket on the wall as shown in the picture. Draw circles on the wall at holes A and B. Draw at least one circle in area C. At least one circle **MUST** line up with a wall stud.



**STEP 3:** Installer moves bracket to the other side of the cabinets and makes 2 more marks. Marks are the same as STEP 2, just opposite side.



**STEP 6:** Set mounting bracket aside and drill holes at all marked locations. If there is a stud, drill a 3/16" hole for wood screws. For holes that do not line up with a stud, drill a 5/8" hole for a toggle bolt.

# Installation Instructions

## 2 INSTALLATION TYPES (Choose A, B or C)

This microwave oven is designed for adaptation to the following three types of ventilation:

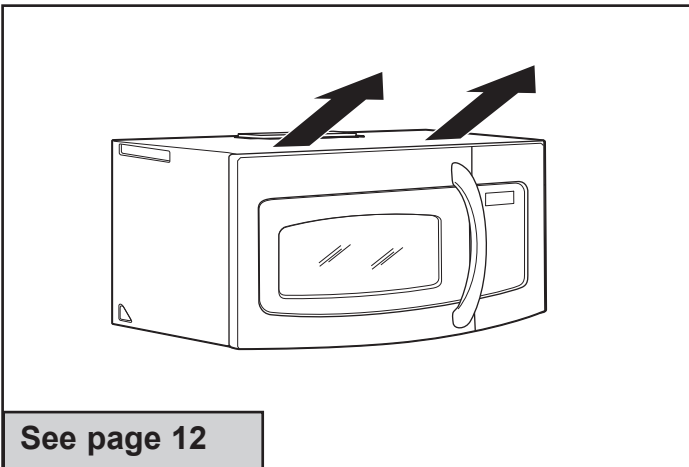
**A. Recirculating (Non-Vented Ductless)**

**B. Outside Top Exhaust (Vertical Duct)**

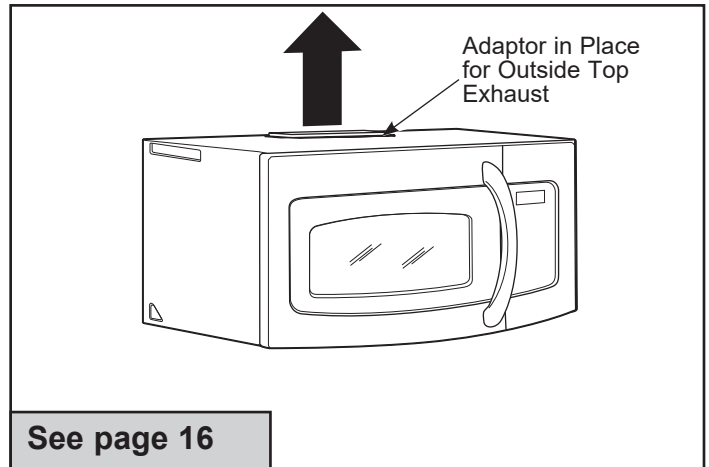
**C. Outside Back Exhaust (Horizontal Duct)**

**NOTE:** Select the type of ventilation required for your installation and proceed to that section.

### A RECIRCULATING (NON-VENTED DUCTLESS)

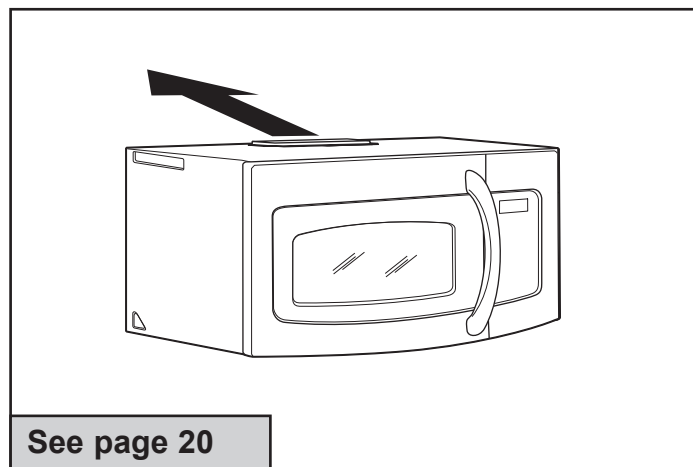


### B OUTSIDE TOP EXHAUST (VERTICAL DUCT)



A Charcoal Filter Accessory Kit is required for the non-vented exhaust. (See your Owner's Manual for the kit number.)

### C OUTSIDE BACK EXHAUST (HORIZONTAL DUCT)



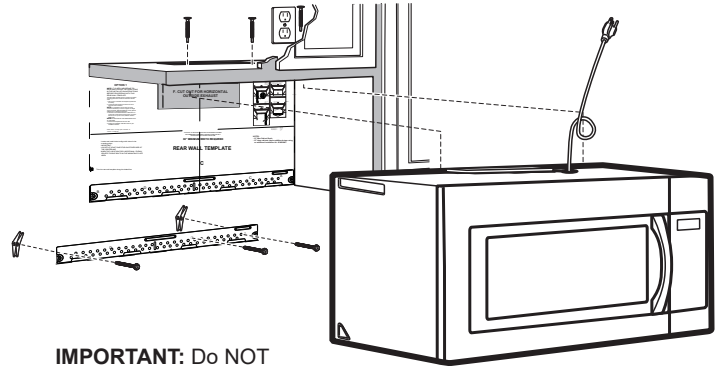
# Installation Instructions

## A

## RECIRCULATING (Non-Vented Ductless)

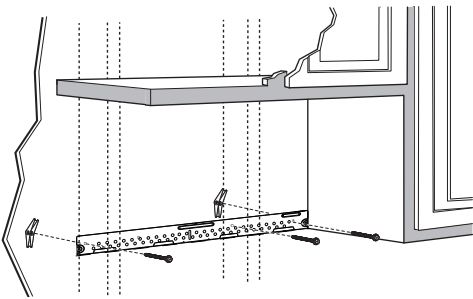
### INSTALLATION OVERVIEW

- A1. Attach Mounting Plate to Wall
- A2. Prepare Top Cabinet
- A3. Check Blower Orientation
- A4. Adapting Microwave Blower For Recirculation
- A5. Mount the Oven
- A6. Installing The Charcoal Filter



**IMPORTANT:** Do NOT remove the cardboard spacers between the heat shield and door

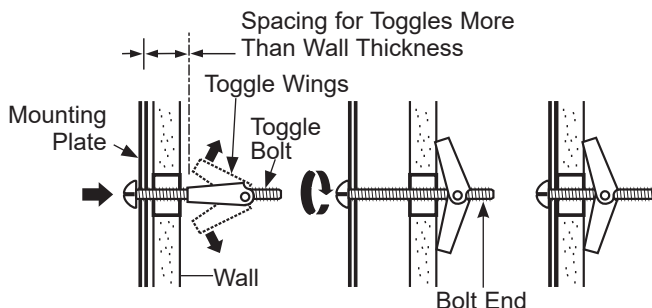
### A1 ATTACH THE MOUNTING PLATE TO THE WALL



Attach the plate to the wall using toggle bolts and wood screws. At least one wood screw must be used to attach the plate to a wall stud.

- 1 Remove the toggle wings from the bolts.
- 2 Insert the bolts into the mounting plate through the holes designated to go into drywall and reattach the toggle wings to  $\frac{3}{4}$ " onto each bolt.

#### To use toggle bolts:



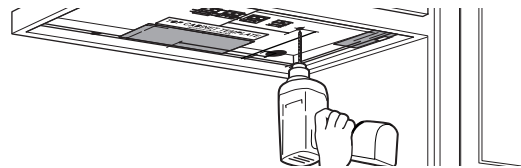
- 3 Place the mounting plate against the wall and insert the toggle wings into the holes in the wall to mount the plate.

**CAUTION** Be careful to avoid pinching fingers between the back of the mounting plate and the wall.

- 4 Tighten all bolts. Pull the plate away from the wall to help tighten the bolts.

### A2 USE TOP CABINET TEMPLATE FOR PREPARATION OF TOP CABINET

You need to drill holes for the top support screws and a hole large enough for the power cord to fit through.



- Read the instructions on the TOP CABINET TEMPLATE.
- Tape it underneath the top cabinet.
- Drill the holes, following the instructions on the TOP CABINET TEMPLATE.

**CAUTION** Wear safety goggles when drilling holes in the cabinet bottom.

# Installation Instructions

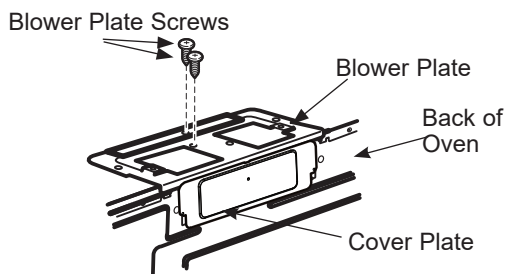
## A3. CHECK BLOWER MOTOR ORIENTATION

The blower fan blade opening should be facing the front of the microwave. You will have to remove the top cover plate to check the fan blade orientation. If the fan opening is already facing the front of the microwave, skip to step A5. Otherwise, continue to Step A4 to adjust the fan motor orientation.

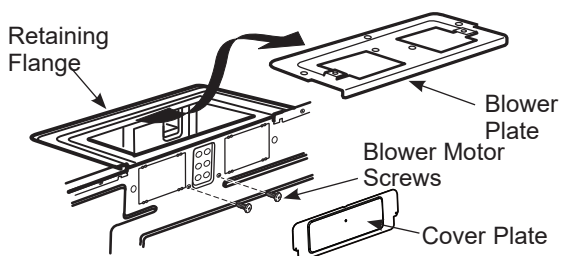
## A4. ADAPTING BLOWER FOR RECIRCULATION

**NOTE:** The exhaust adaptor with damper is not needed for recirculating models. You may want to save them for possible future use.

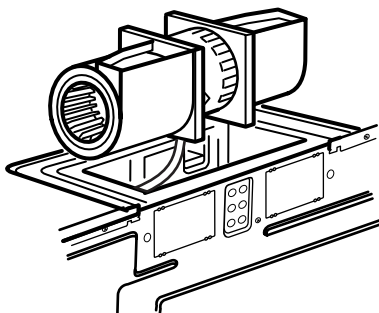
- 1 Remove and save screws that hold blower plate to the oven.



- 2 Slide the blower plate from under its retaining flange and lift it off. Remove the cover plate installed on the back. Remove and save screws that hold blower unit to the oven.

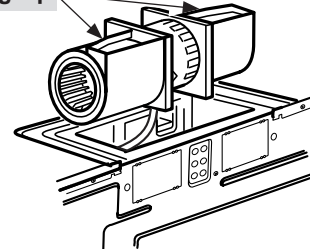


- 3 Carefully pull out the blower unit. The wires will extend far enough to allow you to adjust the blower unit.

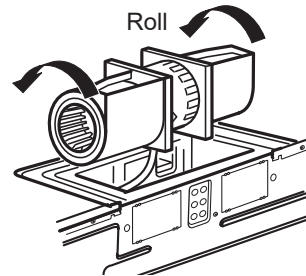


- 4 Roll the blower unit 90° so that fan blade openings are facing toward the front of the oven.

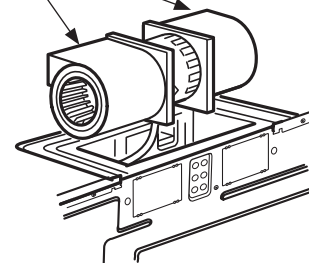
**BEFORE:** Fan Blade Openings Facing Up



Roll



**AFTER:** Fan Blade Openings Facing Forward

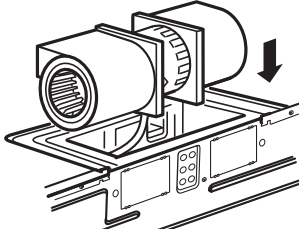


# Installation Instructions

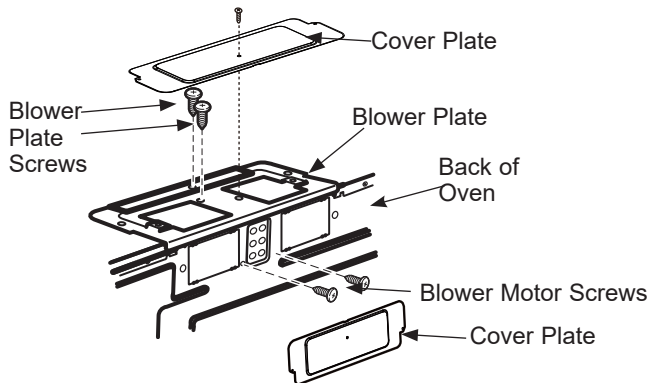
## A4. ADAPTING BLOWER FOR RECIRCULATION (continued)

- 5 Place the blower unit back into the opening.

**CAUTION** Do not pull or stretch the blower unit wiring. Make sure the wires are not pinched.

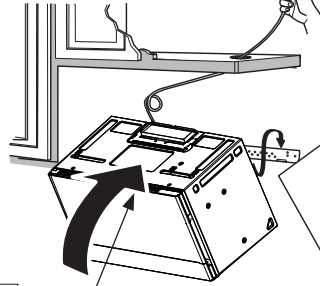


- 6 Replace blower motor screws removed in Step 2. Slide cover plate into position on the back of the unit. Replace blower plate and screws removed in Step 1. Attach second cover plate on blower plate (including one screw).

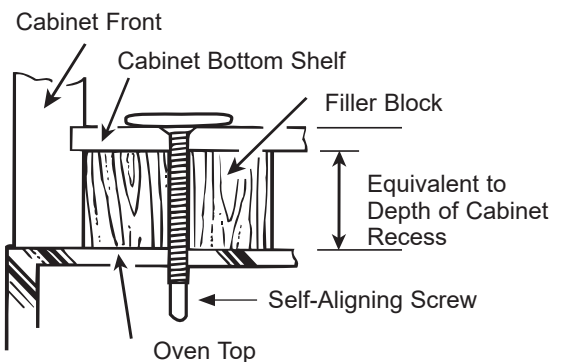
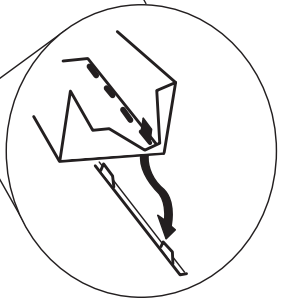


**NOTE:** When mounting the oven, thread power cord through hole in bottom of top cabinet. Keep it tight throughout Steps 1–3. Do not pinch cord or lift oven by pulling cord.

- 1 Lift oven, tilt it forward and hook slots at back bottom edge onto two lower tabs of mounting plate.



- 2 Rotate front of oven up against cabinet bottom.



## A5. MOUNT THE OVEN



FOR EASIER INSTALLATION AND PERSONAL SAFETY, WE RECOMMEND THAT **TWO PEOPLE INSTALL THIS OVEN.**

**IMPORTANT: Do not grip or use handle during installation.**

**NOTE:** If your cabinet is metal, use the nylon grommet around the power cord hole to prevent cutting of the cord.

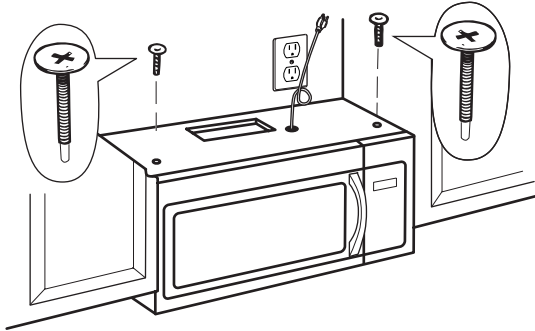
**NOTE:** We recommend using filler blocks if the cabinet front hangs below the cabinet bottom shelf.

**IMPORTANT: If filler blocks are not used, case damage may occur from over tightening screws.**

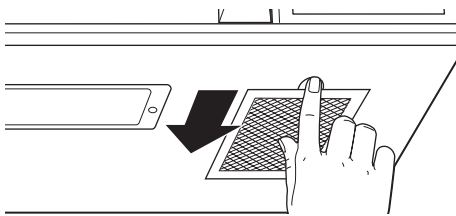
# Installation Instructions

## A4. MOUNT THE OVEN (continued)

- 3 Attach the oven to the top cabinet by inserting 2 self-aligning screws through outer top cabinet holes. Turn two full turns on each screw. **Be sure to keep power cord tight. Be careful not to pinch the cord, especially when mounting flush to bottom of cabinet.**



- 4 Tighten the two screws to the top of the oven completely. (While tightening screws, hold the oven in place against the wall and the top cabinet.)



- 5 Install grease filters. See the Owner's Manual packed with the oven.

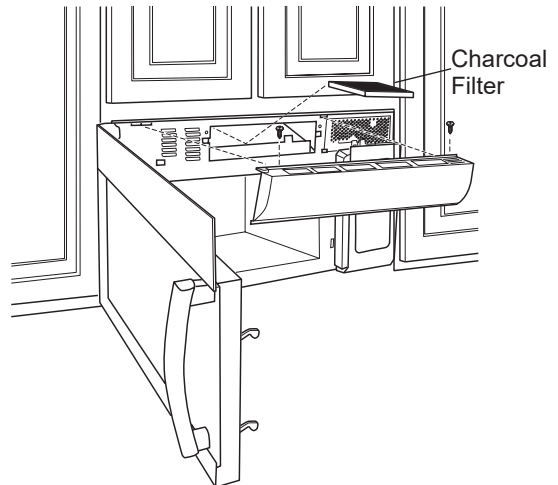
## A6. WHEN REPLACING THE CHARCOAL FILTER

If the model is not vented to the outside, the air will be recirculated through a disposable charcoal filter that helps remove smoke and odors.

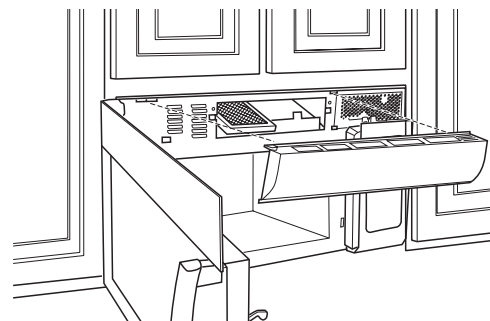
The charcoal filter should be replaced when it is noticeably dirty or discolored (usually after 6 to 12 months, depending on hood usage). See your Owner's Manual for the filter kit number.

### To replace the charcoal filter:

- 1 Open the microwave door.
- 2 Remove 2 screws from the top of the grille. (You may need to open the cabinet doors to remove the screws.)
- 3 Slide the grille to the left and forward to remove.



- 4 Slide the old filter down and out to remove it.
- 5 Remove plastic and other outer wrapping from the new filter and install the new filter. When properly installed, the wire mesh of the filter should be visible from the front.
- 6 Replace the grille and the 2 screws.
- 7 Close the door.



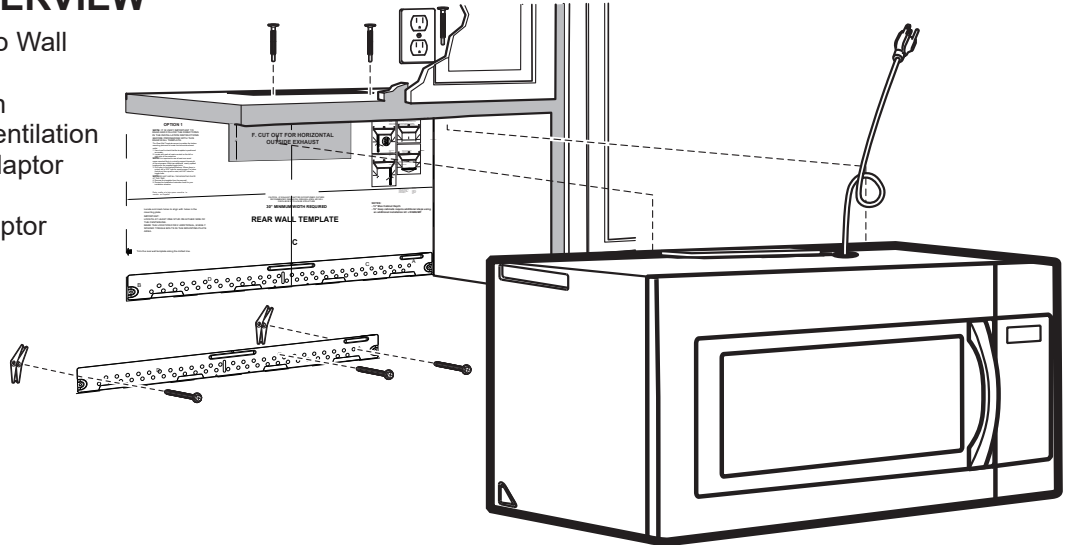
Insert filter mesh-side up

# Installation Instructions

## B OUTSIDE TOP EXHAUST (Vertical Duct)

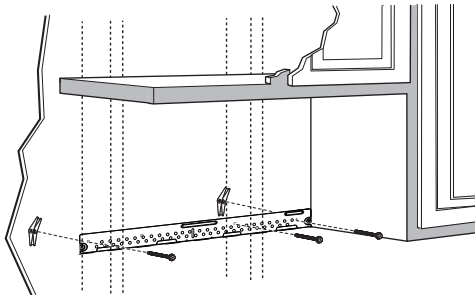
### INSTALLATION OVERVIEW

- B1. Attach Mounting Plate to Wall
- B2. Prepare Top Cabinet
- B3. Check Motor Orientation
- B4. Adapting For Outside Ventilation
- B5. Assemble and Install Adaptor
- B6. Mount the Microwave
- B7. Adjust The Exhaust Adaptor
- B8. Connecting Duckwork



**IMPORTANT:** Do NOT remove the cardboard spacers between the heat shield and door

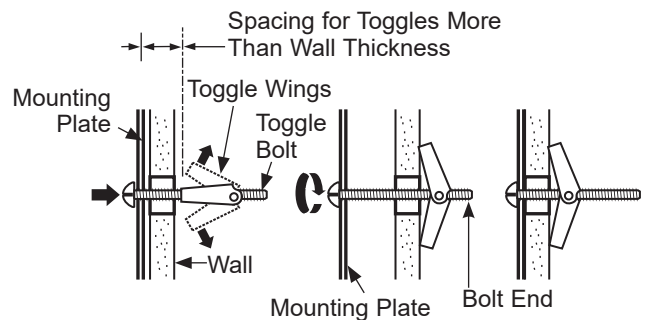
### B1 ATTACH THE MOUNTING PLATE TO THE WALL



Attach the plate to the wall using toggle bolts and wood screws. At least one wood screw must be used to attach the plate to a wall stud..

- 1 Remove the toggle wings from the bolts.
- 2 Insert the bolts into the mounting plate through the holes designated to go into drywall and reattach the toggle wings to  $\frac{3}{4}$ " onto each bolt.

### To use toggle bolts:



- 3 Insert the toggle wings into the holes in the wall and place the mounting plate against the wall.

**CAUTION** Be careful to avoid pinching fingers between the back of the mounting plate and the wall.

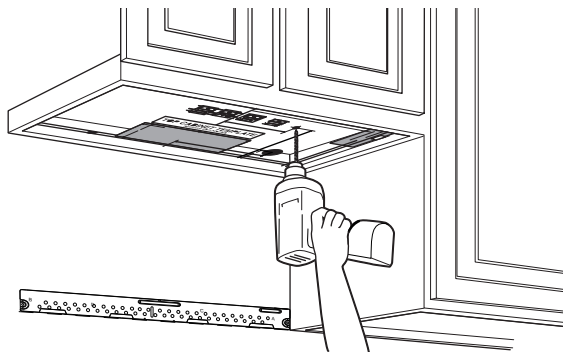
- 4 Tighten all bolts. Pull the plate away from the wall to help tighten the bolts.



# Installation Instructions

## B2. USE TOP CABINET TEMPLATE FOR PREPARATION OF TOP CABINET

You need to drill holes for the top support screws, a hole large enough for the power cord to fit through, and a cutout large enough for the exhaust adaptor.



- Read the instructions on the TOP CABINET TEMPLATE.
- Tape it underneath the top cabinet.
- Drill the holes, following the instructions on the TOP CABINET TEMPLATE.

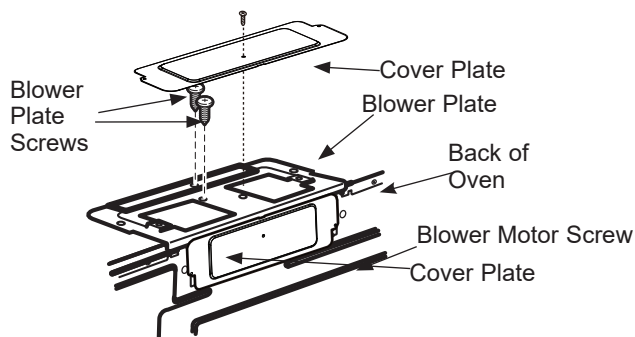
**CAUTION** Wear safety goggles when drilling holes in the cabinet bottom.

## B3. CHECK BLOWER MOTOR ORIENTATION

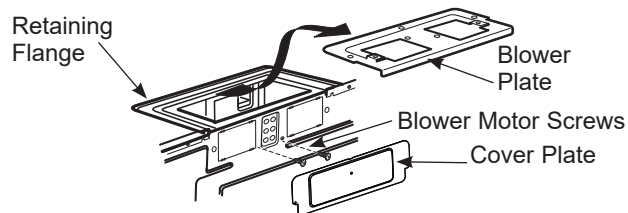
The blower fan blade opening should be facing the top of the microwave. If the fan opening is already facing the top of the microwave, skip to Step B5. Otherwise, continue to Step B4 to adjust the motor orientation.

## B4. ADAPTING BLOWER FOR OUTSIDE VENTILATION

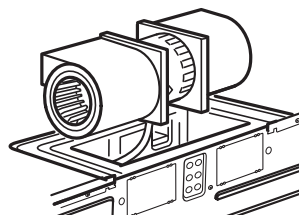
- 1 Remove the cover installed on the blower plate (including one screw). Remove and save screws holding blower plate to the oven.



- 2 Slide the blower plate from under its retaining flange and lift it off. Remove the cover plate installed on the back. Remove and save screws that hold blower unit to the oven

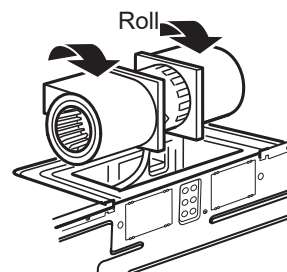
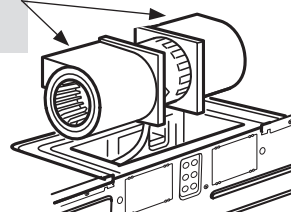


- 3 Carefully pull out the blower unit. The wires will extend far enough to allow you to adjust the blower unit.

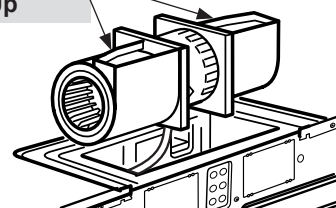


- 4 Roll the blower unit 90° so that fan blade openings are facing toward the top of the microwave.

**BEFORE:** Fan Blade Openings Facing Front



**AFTER:** Fan Blade Openings Facing Up

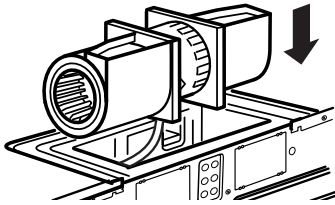


# Installation Instructions

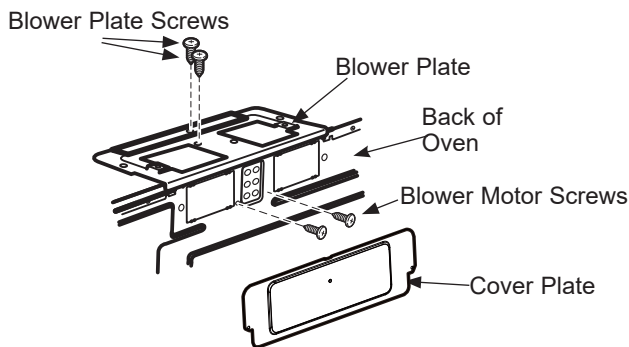
## B4. ADAPTING BLOWER FOR OUTSIDE VENTILATION (continued)

- 5 Place the blower unit back into the opening.

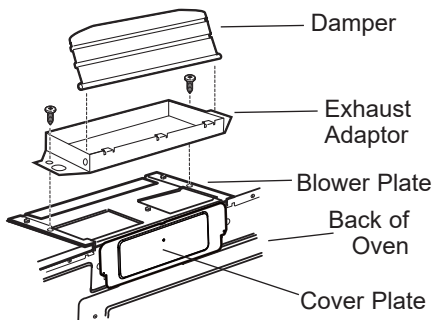
**CAUTION** Do not pull or stretch the blower unit wiring. Make sure the wires are not pinched.



- 6 Replace blower motor screws removed in Step 2. Slide cover plate into position on the back of the unit. Replace blower plate and screws removed in Step 1.



## B5. ASSEMBLE AND INSTALL ADAPTOR



**NOTE:** On some models, the exhaust adaptor and damper assembly may already be assembled to the oven.

- 1 Place the oven in its upright position, with the top of the unit facing up.  
**NOTE: Make sure the blower fan blades are visible and are pointing up.**
- 2 Insert the tabs on each side of the damper into the holes at the inside rear of the adaptor.

- 3 Attach the exhaust adaptor to the blower plate with the two bronze metal screws provided.  
**Make sure that the damper pivots easily before mounting oven.**

You will need to make adjustments to assure proper alignment with your house exhaust duct after the oven is installed.

## B6. MOUNT THE OVEN



FOR EASIER INSTALLATION AND PERSONAL SAFETY, WE RECOMMEND THAT **TWO PEOPLE INSTALL THIS OVEN.**

**IMPORTANT: Do not grip or use handle during installation.**

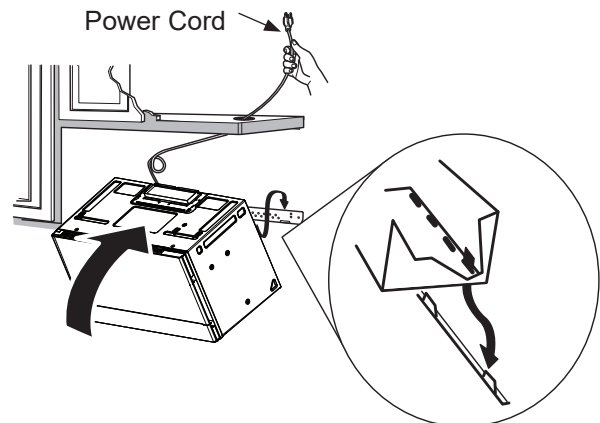
**NOTE:** If your cabinet is metal, use the nylon grommet around the power cord hole to prevent cutting of the cord.

**NOTE:** We recommend using filler blocks if the cabinet front hangs below the cabinet bottom shelf.

**IMPORTANT: If filler blocks are not used, case damage may occur from over tightening screws.**

**NOTE:** When mounting the microwave, thread power cord through hole in bottom of top cabinet. Keep it tight throughout Steps 1–3. Do not pinch cord or lift microwave oven by pulling cord.

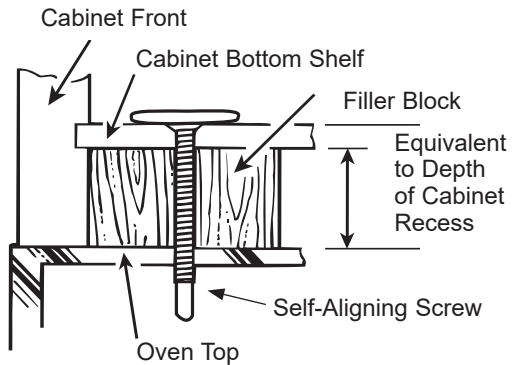
- 1 Lift microwave, tilt it forward, and hook slots at back bottom edge onto four lower tabs of mounting plate.



- 2 Rotate front of microwave oven up against cabinet bottom.

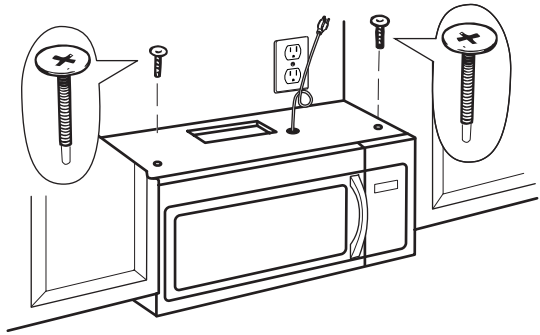
# Installation Instructions

## B6. MOUNT THE OVEN (continued)

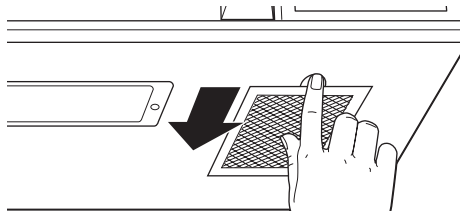


Attach the oven to the top cabinet by inserting 2 self-aligning screws through outer top cabinet holes. Turn two full turns on each screw. **Be sure to keep power cord tight. Be careful not to pinch the cord, especially when mounting flush to bottom of cabinet.**

3



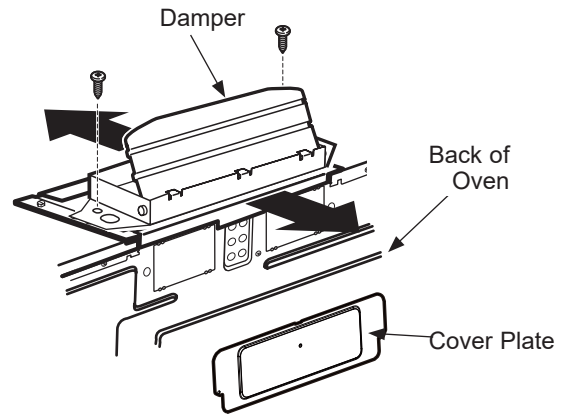
4 Tighten the two screws to the top of the oven completely. (While tightening screws, hold the oven in place against the wall and the top cabinet.)



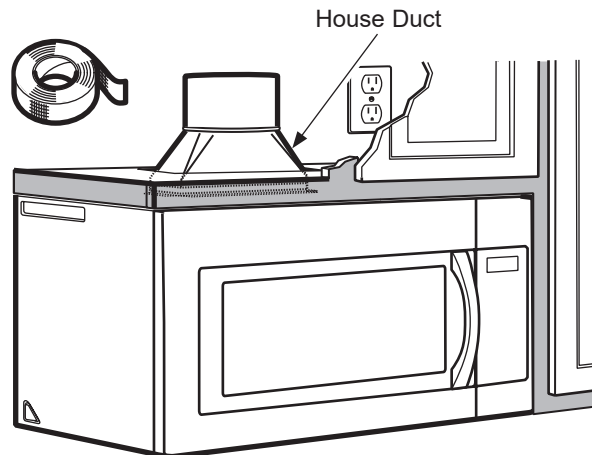
5 Install grease filters. See the Owner's Manual packed with the oven.

## B7. ADJUST THE EXHAUST ADAPTOR

Open the top cabinet and adjust the exhaust adaptor to connect to the house duct.



## B8. CONNECTING DUCTWORK



1 Extend the house duct down to connect to the exhaust adaptor.

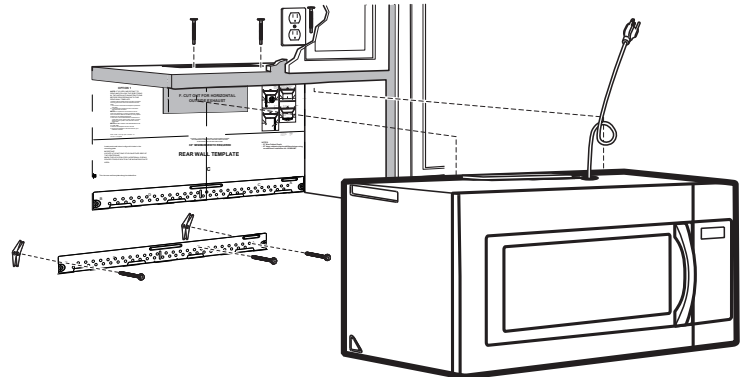
2 Seal exhaust duct joints using duct tape.

# Installation Instructions

## C OUTSIDE BACK EXHAUST (Horizontal Duct)

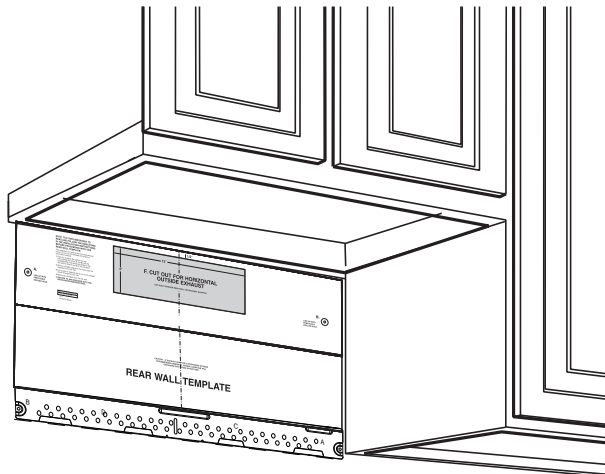
### INSTALLATION OVERVIEW

- C1. Prepare Rear Wall
- C2. Attach Mounting Plate to Wall
- C3. Prepare Top Cabinet
- C4. Adjust Blower
- C5. Mount The Oven



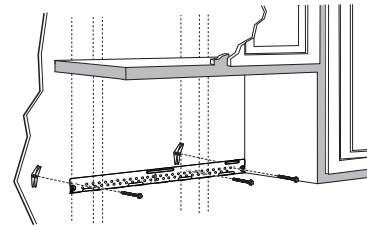
### C1 PREPARING THE REAR WALL FOR OUTSIDE BACK EXHAUST

You need to cut an opening in the rear wall for outside exhaust.



- Read the instructions on the REAR WALL TEMPLATE.
- Tape it to the rear wall, lining up with the holes previously drilled for holes A and B in the mounting plate.
- Cut the opening, following the instructions of the REAR WALL TEMPLATE.

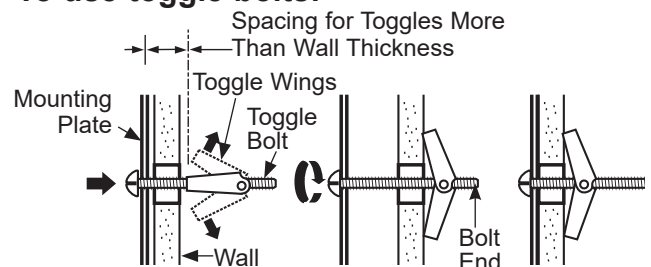
### C2 ATTACH THE MOUNTING PLATE TO THE WALL



Attach the plate to the wall using toggle bolts and wood screw. At least one wood screw must be used to attach the plate to a wall stud.

- 1 Remove the toggle wings from the bolts.
- 2 Insert the bolts into the mounting plate through the holes designated to go into drywall and reattach the toggle wings to  $\frac{3}{4}$ " onto each bolt.

#### To use toggle bolts:



- 3 Insert the toggle wings into the holes in the wall to mount the plate and place the mounting plate against the wall.

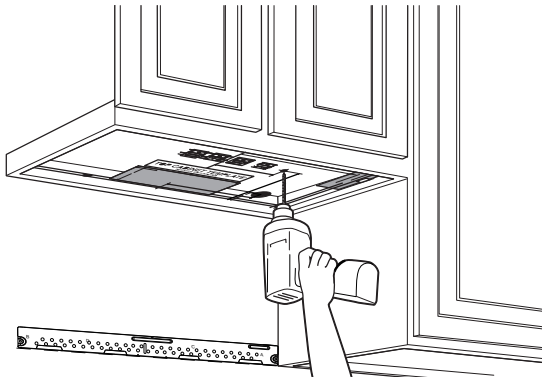
**CAUTION** Be careful to avoid pinching fingers between the back of the mounting plate and the wall.

- 4 Tighten all bolts. Pull the plate away from the wall to help tighten the bolts.

# Installation Instructions

## C3. USE TOP CABINET TEMPLATE FOR PREPARATION OF TOP CABINET

You need to drill holes for the top support screws and a hole large enough for the power cord to fit through.

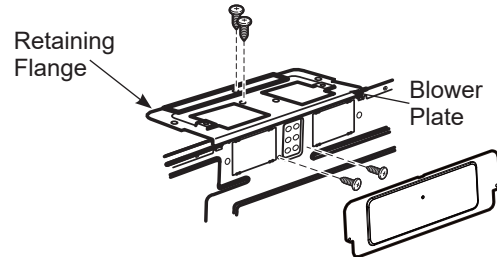


- Read the instructions on the TOP CABINET TEMPLATE.
- Tape it underneath the top cabinet.
- Drill the holes, following the instructions on the TOP CABINET TEMPLATE.

**CAUTION** Wear safety goggles when drilling holes in the cabinet bottom.

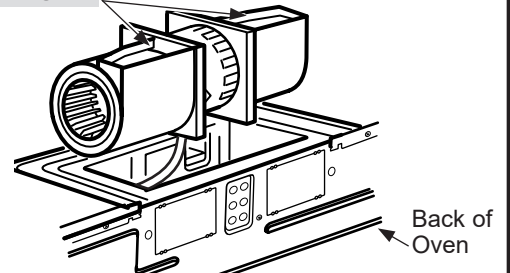
## C4. ADAPTING BLOWER FOR OUTSIDE BACK EXHAUST

- 1 Remove and save the two screws that hold the blower plate in place. Slide blower plate from under its retaining flange. Remove the cover plate installed on the back. Remove and save screws that hold blower unit to the oven

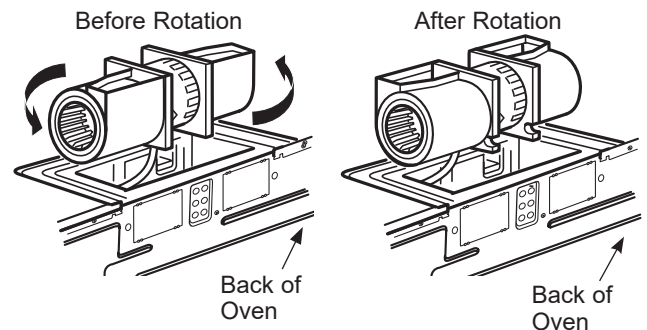


- 2 Carefully pull out the blower unit. The wires will extend far enough to allow you to adjust the blower unit.

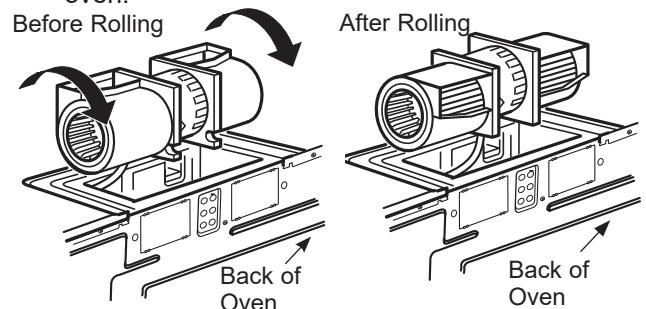
**BEFORE: Fan Blade Openings Facing Up**



- 3 Rotate blower unit counterclockwise 180°.



- 4 Roll the blower unit 90° so that fan blade openings are facing out the back of the oven.

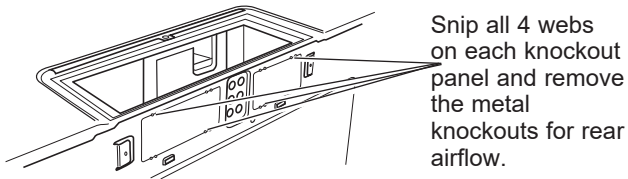


# Installation Instructions

- 5** Locate the two “knockout” plates, on the rear oven panel, near the top of the oven.
- Using tin snips, carefully cut the web area from the two holes side-by-side (that secure the knockouts to the oven). Cut all four webs on both rear knockouts; this will allow the ventilation fan airflow to exhaust out the rear of the oven.

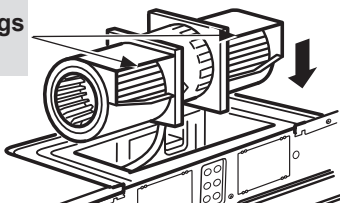
**⚠ CAUTION** Be sure to trim the sharp edges from the openings after removing the knockout plates.

Oven Rear Panel



- 6** Place the blower unit back into the opening.

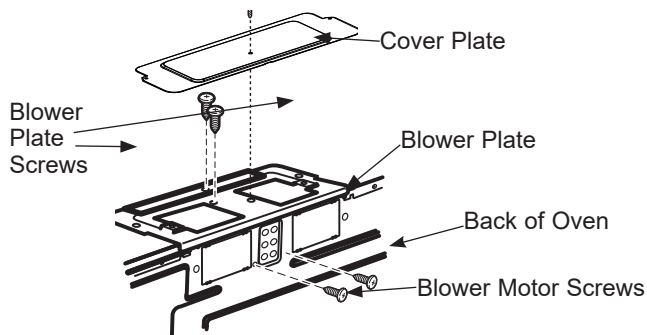
**AFTER:** Fan Blade Openings Facing Back



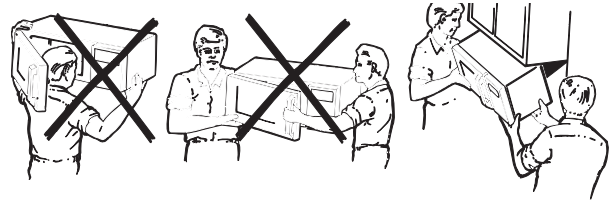
**⚠ CAUTION** Do not pull or stretch the blower unit wiring. Make sure the wires are not pinched.

**NOTE:** The blower unit exhaust openings should match exhaust openings on rear of oven.

- 7** Replace the blower plate in the same position as before and replace the screws for the blower plate and blower motor. Attach the cover on the blower plate with screw.



## C5. MOUNT THE OVEN



FOR EASIER INSTALLATION AND PERSONAL SAFETY, WE RECOMMEND THAT **TWO PEOPLE INSTALL THIS OVEN.**

**IMPORTANT:** Do not grip or use handle during installation.

**NOTE:** If your cabinet is metal, use the nylon grommet around the power cord hole to prevent cutting of the cord.

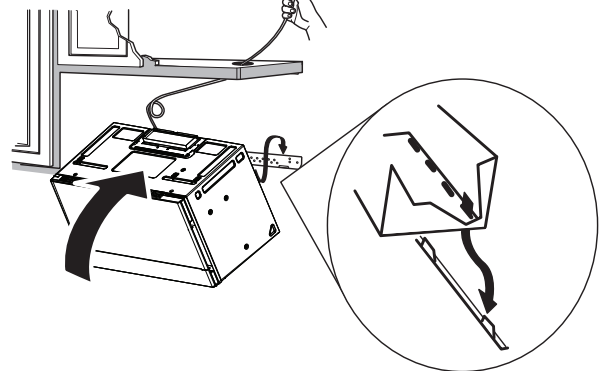
**NOTE:** We recommend using filler blocks if the cabinet front hangs below the cabinet bottom shelf.

**IMPORTANT:** If filler blocks are not used, case damage may occur from over tightening screws.

**NOTE:** When mounting the microwave, thread power cord through hole in bottom of top cabinet. Keep it tight throughout Steps 1–3. Do not pinch cord or lift microwave oven by pulling cord.

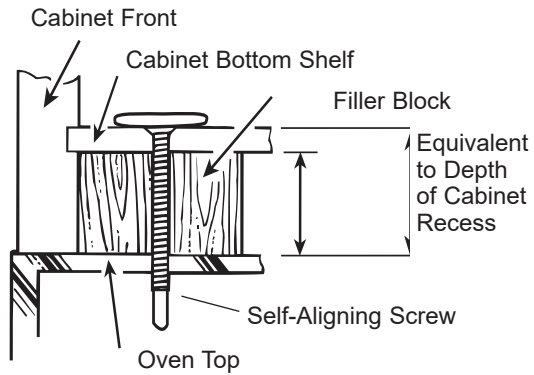
- 1** Lift microwave, tilt it forward, and hook slots at back bottom edge onto four lower tabs of mounting plate.

Power Cord

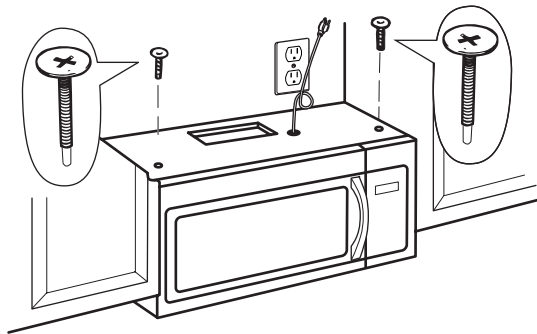


- 2** Rotate front of microwave oven up against cabinet bottom.

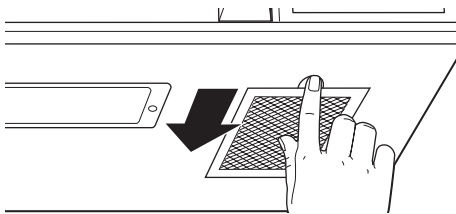
# Installation Instructions



- 3** Attach the oven to the top cabinet by inserting 2 self-aligning screws through outer top cabinet holes. Turn two full turns on each screw. **Be sure to keep power cord tight. Be careful not to pinch the cord, especially when mounting flush to bottom of cabinet.**



- 4** Tighten the two screws to the top of the oven completely. (While tightening screws, hold the oven in place against the wall and the top cabinet.)



- 5** Install grease filters. See the Owner's Manual packed with the oven.

# Installation Instructions

## BEFORE YOU USE YOUR MICROWAVE

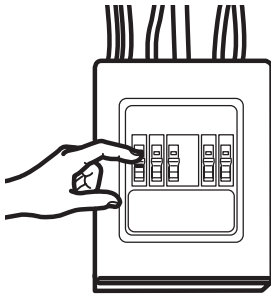
- 1.** Make sure the microwave oven has been installed according to instructions.



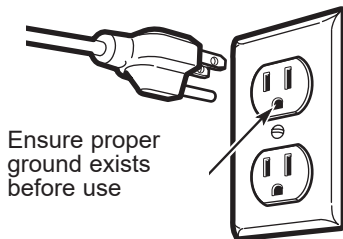
- 2.** Remove all packing material from the microwave oven.

- 3.** Install turntable and ring in cavity.

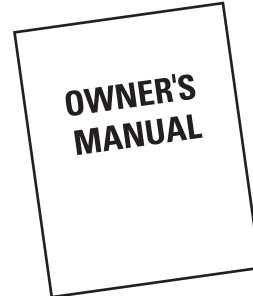
- 4.** Replace house fuse or turn breaker back on.



- 5.** Plug power cord into a dedicated 15- to 20-amp electrical outlet.



- 6.** Read the Owner's Manual.



- 7.** KEEP INSTALLATION INSTRUCTIONS FOR THE LOCAL INSPECTOR'S USE.

