

BUILT-IN MICROWAVE WITH TRIM KIT INSTALLATION INSTRUCTIONS

INSTRUCCIONES DE INSTALACIÓN DEL MICROONDAS INTEGRADO CON KIT DE MOLDURAS

Built-In Microwave with Trim Kit Models
Modelos de microondas integrados con kit de molduras

Standard Models/Modelos estándar: WMT55511K, KMBT5511K
Slim Models/Modelos delgados: WMT50011K, KMBT5011K

UL listed for use over electric built-in oven, 30" (76.2 cm) wide.

This appliance is a built-in microwave with trim kit, do not use as countertop microwave oven.

Homologado por UL para su uso sobre horno eléctrico integrado, 30" (76,2 cm) de ancho.

Este electrodoméstico es un horno de microondas integrado con kit de molduras. No lo use como horno de microondas para mostrador

Table of Contents / Índice

MICROWAVE OVEN SAFETY	1	SEGURIDAD DEL HORNO DE MICROONDAS	10
INSTALLATION REQUIREMENTS	2	REQUISITOS DE INSTALACIÓN	11
Tools and Parts.....	2	Herramientas y piezas.....	11
Location Requirements.....	3	Requisitos de ubicación.....	12
Product Dimensions	4	Dimensiones del producto.....	13
Required Cutout Dimensions.....	5	Dimensiones de recorte requeridas.....	14
Electrical Requirements	6	Requisitos eléctricos.....	15
INSTALLATION INSTRUCTIONS	7	INSTRUCCIONES DE INSTALACIÓN	16
Unpacking Instructions.....	7	Instrucciones para el desempaque.....	16
Prepare Microwave Oven.....	7	Preparación del horno de microondas	16
Install the Rails	8	Instalación de las guías.....	17
Install the Microwave Oven.....	9	Instalación del horno de microondas	18
Secure the Trim Kit Frame.....	9	Fijar el marco del kit de molduras.....	18

MICROWAVE OVEN SAFETY

Your safety and the safety of others are very important.

We have provided many important safety messages in this manual and on your appliance. Always read and obey all safety messages.



This is the safety alert symbol.

This symbol alerts you to potential hazards that can kill or hurt you and others.

All safety messages will follow the safety alert symbol and either the word "DANGER" or "WARNING."

These words mean:

⚠ DANGER

You can be killed or seriously injured if you don't immediately follow instructions.

⚠ WARNING

You can be killed or seriously injured if you don't follow instructions.

All safety messages will tell you what the potential hazard is, tell you how to reduce the chance of injury, and tell you what can happen if the instructions are not followed.



W11412752B

INSTALLATION REQUIREMENTS




Tools and Parts

Tools Needed

Gather the required tools and parts before starting installation. Read and follow the instructions provided with any tools listed here.

- Measuring tape ■ Pencil ■ Phillips screwdriver
- 7/64" drill bit ■ Drill

Screw Pack Supplied (not shown to scale)

SCREW	SCREW ART	QTY
#7-18x7/16" round-head sheet metal screw		14
#7-16x15/16" flat head wood screw		6
#7-16x7/16" round-head wood screw		10

NOTE: There are some extra screws in the screw pack. They are spares for your use during installation if needed. See below:

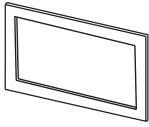

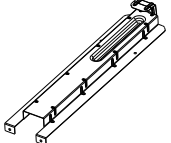
- #7-18x7/16" round-head sheet metal screw: 4 extra.
- #7-16x15/16" flat head wood screw: 2 extra.
- #7-16x7/16" round-head wood screw: 4 extra.

Parts Supplied (not shown to scale)

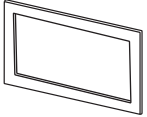
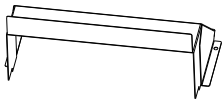
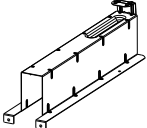
This installation instruction is for various models. Some parts supplied may have different appearance, depending on your model.

NOTE: Trim kit frame (1), Cooling Ducts (2) and Rail (2) parts will need to be purchased to convert from Standard to Slim or from a Slim to a Standard installation.



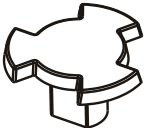
Parts supplied for model: WMT50011K and KMBT5011K

PART	PART ART	QTY
Trim kit frame (slim)		1
Cooling duct (slim)		2
Rail (slim)		2

Parts supplied for model: WMT55511K and KMBT5511K

PART	PART ART	QTY
Trim kit frame (standard)		1
Cooling duct (standard)		2
Rail (standard)		2

Parts supplied for all models

PART	PART ART	QTY
Turntable		1
Turntable ring		1
Turntable driver		1

NOTE: The turntable driver is located inside the microwave oven cavity. Remove the tape before use.

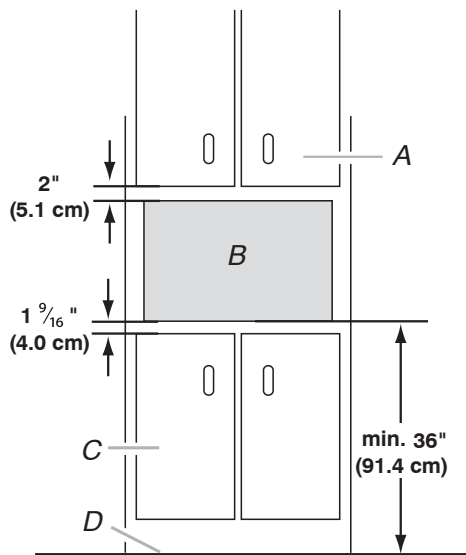
Location Requirements

This is a built-in appliance. Do not use as countertop microwave oven.

This microwave oven must be installed into a wood cabinetry. The location must provide:

- Cutout opening that is plumb and square.
- Cutout floor that is solid, level and flush with bottom of cabinet cutout.
- Support for weight of at least 150 lbs (68 kg), which includes microwave oven and items placed inside.
- There must be minimum of 36" from the floor to cut-out floor. See pictorial below.
- Grounded electrical outlet. See "Electrical Requirements" section.
- Minimum installation clearances for installation location. See "Required Cutout Dimensions" section.
- Complete enclosure around the recessed portion of the microwave oven.
- Mounting distance between a fixed wall on the hinged-side of the door and the microwave oven is 0.5" (1.3 cm).

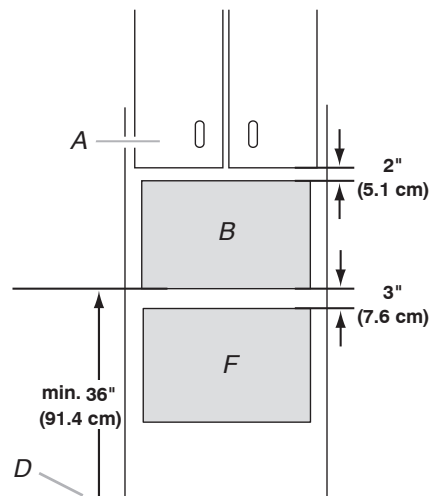
Not installed over a built-in oven



A. Upper cabinet C. Lower cabinets
B. Microwave oven cutout D. Floor

1. Minimum distance of 36" (91.4 cm) from the floor to the cutout floor.
2. The microwave oven may also be installed in a cabinet by itself (without a built-in oven below). Allow a clearance of at least 1⁹/₁₆" (4.0 cm) below the cabinet.
3. Make sure the surrounding cabinetry has clearance to open and close freely. Allow a clearance of at least 2" (5.1 cm) above the cutout opening.

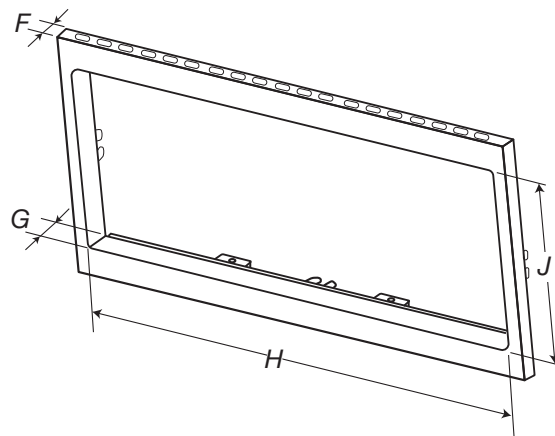
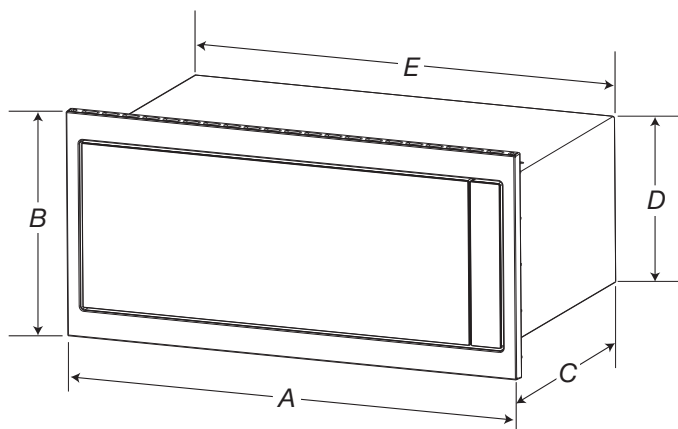
Installed over a built-in oven



A. Upper cabinet D. Floor
B. Microwave oven cutout F. Lower oven cutout

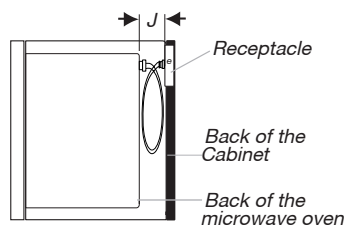
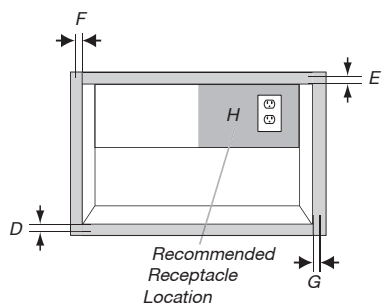
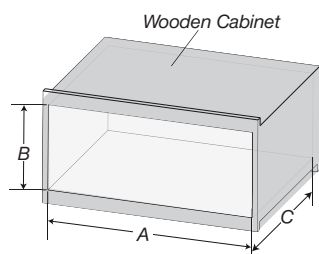
1. Minimum distance of 36" (91.4 cm) from the floor to the cutout floor.
2. The microwave oven may be installed over a built-in oven. If installing over a built-in oven, make sure there is a minimum of 3" (7.6 cm) between the top of the lower oven cutout and the microwave oven cutout floor.
3. Make sure the surrounding cabinetry has clearance to open and close freely. Allow a clearance of at least 2" (5.1 cm) above the cutout opening.

Product Dimensions



Unit Measurement		Slim models		Standard models	
		in	cm	in	cm
A	Width of unit with trim kit frame	29 ³ / ₄	75.6	29 ³ / ₄	75.6
B	Height of unit with trim kit frame	14	35.6	19 ¹ / ₈	48.6
C	Depth of unit	18	45.7	18	45.7
D	Height of unit without trim kit frame	10 ⁵ / ₁₆	26.2	10 ⁵ / ₁₆	26.2
E	Width of unit without trim kit frame	27 ¹³ / ₁₆	70.7	27 ¹³ / ₁₆	70.7
F	Trim kit frame thickness (visible)	7/8	2.2	7/8	2.2
G	Total thickness of frame	2 ⁵ / ₁₆	5.8	2 ⁵ / ₁₆	5.8
H	Trim kit frame inner opening width	28	71.1	28	71.1
J	Trim kit frame inner opening height	10 ⁹ / ₁₆	26.9	10 ⁹ / ₁₆	26.9

Required Cutout Dimensions



Cabinet Cutout Measurement		Slim models		Standard models	
		in	cm	in	cm
A	Width of cabinet opening	28½	72.4	28½	72.4
B	Height of cabinet opening	12	30.5	17⅞	43.5
C	Depth of cabinet opening	Minimum 21¾" (55.2 cm) with flush receptacle			
D	Trim kit frame overhang-lower frame	1	2.54	1	2.54
E	Trim kit frame overhang-upper frame	1	2.54	1	2.54
F	Trim kit frame overhang-left frame	5/8	1.6	5/8	1.6
G	Trim kit frame overhang-right frame	5/8	1.6	5/8	1.6
H	Recommended region for receptacle	Upper right quadrant			
J	Receptacle surface to the back of the microwave oven	4" (10.2 cm) < J < 40" (102 cm)			

NOTE:

- Flush receptacle is recommended. For non-flush receptacle, make sure you have at least 4" (10.2 cm) clearance between the back of microwave oven and the receptacle.
- If the receptacle is placed outside of the recommended region, make sure from the back of the microwave oven to the receptacle must be within 40" (102 cm). Otherwise, the power cord is not long enough to plug in.
- Tolerance for width and height of cabinet opening is 1/16" (2 mm).

Electrical Requirements

⚠ WARNING



Electrical Shock Hazard

Plug into a grounded 3 prong outlet.

Do not remove ground prong.

Do not use an adapter.

Do not use an extension cord.

Failure to follow these instructions can result in death, fire, or electrical shock.

Observe all governing codes and ordinances.

Required:

- A 120 V, 60 Hz, AC only, 15 or 20 A electrical supply with a fuse or circuit breaker

Recommended:

- A time-delay fuse or time-delay circuit breaker
- A separate circuit serving only this microwave oven

GROUNDING INSTRUCTIONS

■ **For all cord connected appliances:**

The microwave oven must be grounded. In the event of an electrical short circuit, grounding reduces the risk of electric shock by providing an escape wire for the electric current. The microwave oven is equipped with a cord having a grounding wire with a grounding plug. The plug must be plugged into an outlet that is properly installed and grounded.

WARNING: Improper use of the grounding plug can result in a risk of electric shock. Consult a qualified electrician or serviceman if the grounding instructions are not completely understood, or if doubt exists as to whether the microwave oven is properly grounded.

Do not use an extension cord. If the power supply cord is too short, have a qualified electrician or serviceman install an outlet near the microwave oven.

SAVE THESE INSTRUCTIONS

This device complies with Part 18 of the FCC Rules.

INSTALLATION INSTRUCTIONS

Unpacking Instructions

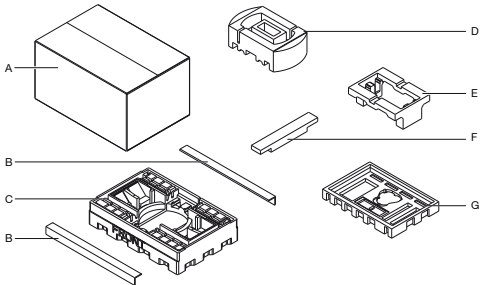
⚠ WARNING

Excessive Weight Hazard

Use two or more people to move and install microwave oven.

Failure to do so can result in back or other injury.

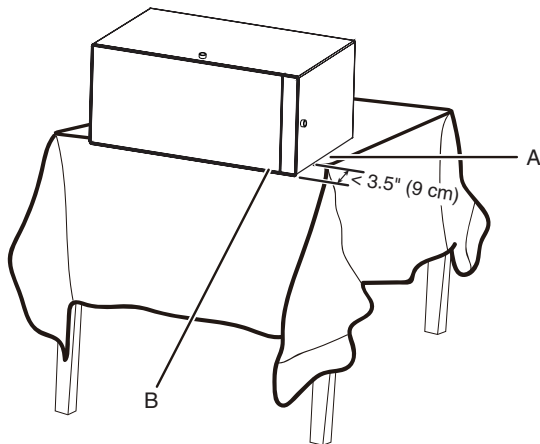
1. Unpack the microwave oven and check if all parts are supplied and screw pack is included. See "Screw Pack Supplied" and "Parts Supplied" sections. They are needed for installation.
2. Dispose of/recycle all packing materials.



- A. Carton box (1)
- B. Angle bar (2)
- C. Top cushion (1)
- D. Small cushion (1)
- E. Inner cushion (Standard models only)
- F. Inner cushion bar (Standard models only)
- G. Bottom cushion

Prepare Microwave Oven

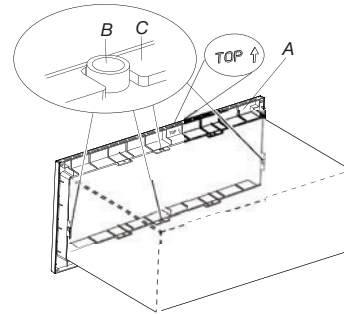
1. Remove any loose items from inside the microwave oven.
2. Place the microwave oven on a stable surface with the door slightly beyond the edge of the surface as shown.



- A. Edge of table
- B. Edge of microwave-lower front door

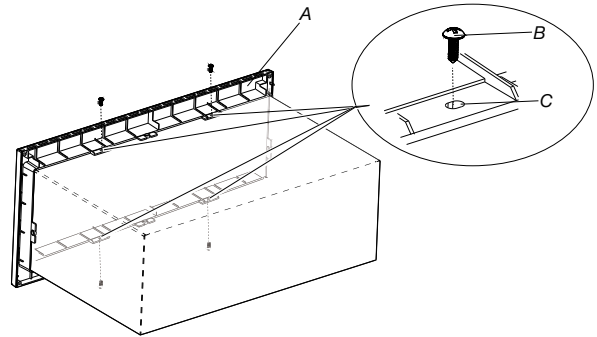
3. Attached the trim kit frame to the microwave oven in the following steps:
 - Remove the protective film on door before installation.

- Insert the four trim kit frame locating holes to the four microwave oven locating pins. Install the trim kit frame in the proper orientation. "TOP" side is marked.



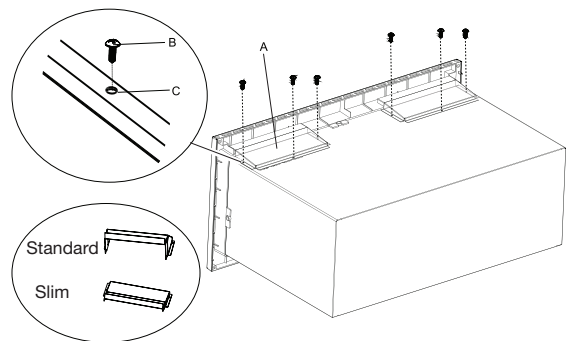
- A. Trim Kit Frame
- B. Locating pin (4)
- C. Locating hole (4)

- Secure the trim kit frame to the microwave oven using four #7-18x7/16" round-head sheet metal screws.



- A. Trim Kit Frame
- B. #7-18x7/16" round head sheet metal screw (4)
- C. Screw holes (4)

4. Secure the two cooling ducts to the top of the microwave oven using six #7-18x7/16" round-head sheet metal screws.

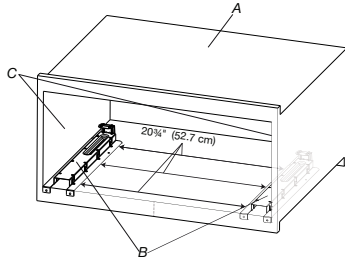


- A. Cooling Duct (2)
- B. #7-18x7/16" round head sheet metal screws (6)
- C. Screw holes (6)

NOTE: The cooling duct may have slightly different appearance, depending on your model.

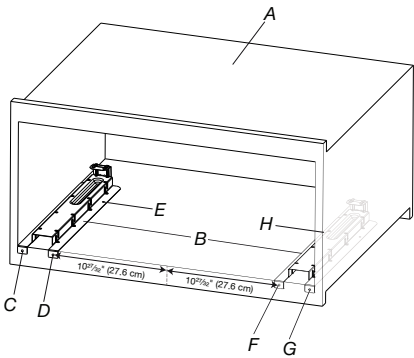
Install the Rails

- Using measuring tape and pencil, mark the centerline of the opening on the cabinet lower front wall.
- Place the two rails inside the cabinet as shown below such that distance between the nearest edges are $20\frac{3}{4}$ " (52.7 cm).



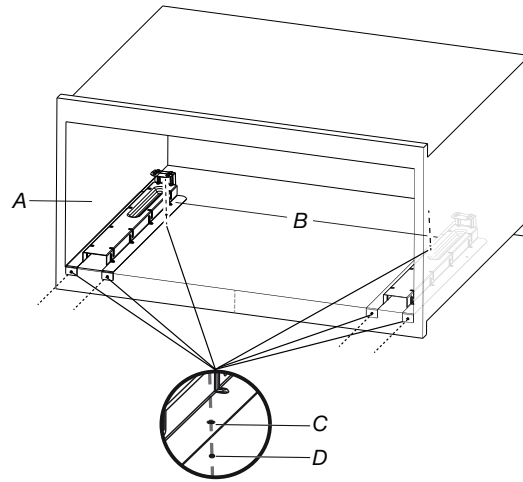
A. Cabinet
B. Rails
C. Side wall

- Use a pencil to draw screw marks across six rails screw holes C, D, E, F, G, H in the cabinet. Confirm that the distance from hole D to centerline is $10\frac{27}{32}$ " (27.6 cm). Also, distance from hole F to centerline should be $10\frac{27}{32}$ " (27.6 cm) as shown. Then take out of the two rails.
- Using a $7/64$ " drill bit, drill four pilot holes C, D, F, G on the



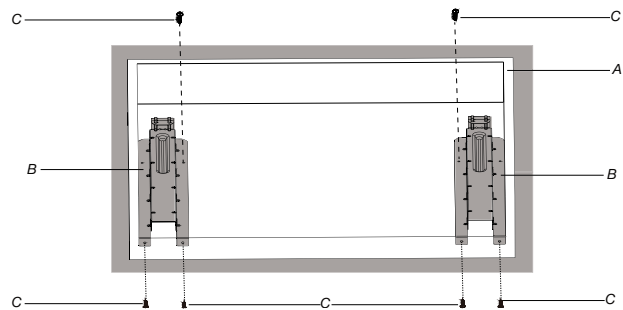
A. Cabinet
B. Rails
C. Hole C on left rail
D. Hole D on left rail
E. Hole E on left rail
F. Hole F on right rail
G. Hole G on right rail
H. Hole H on right rail

- Put the two rails inside the cabinet, and align the screw holes on rails and pilot holes on cabinet.



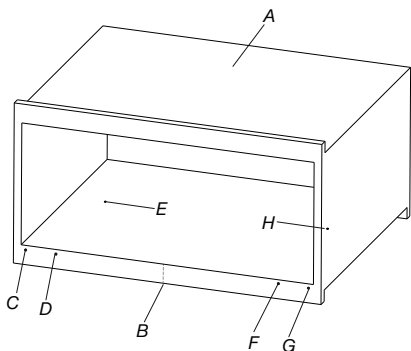
A. Cabinet
B. Rails
C. Holes on rails
D. Pilot holes on cabinet

- Attach the two rails using the six #7-16x7/16" round-head wood screws.



A. Cabinet
B. Rail (2)
C. #7-16x7/16" round head wood screw (6)

cabinet lower front wall and two screw pilot holes E and H inside the bottom of cabinet.




A. Cabinet
B. Centerline
C. Pilot hole C
D. Pilot hole D
E. Pilot hole E
F. Pilot hole F
G. Pilot hole G
H. Pilot hole H

Install the Microwave Oven

1. Position microwave oven near cutout opening.

! WARNING



Electrical Shock Hazard

Plug into a grounded 3 prong outlet.

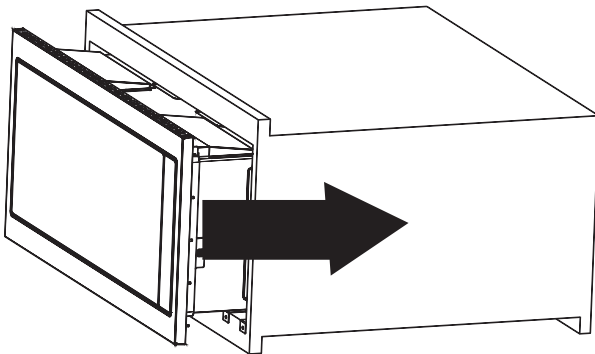
Do not remove ground prong.

Do not use an adapter.

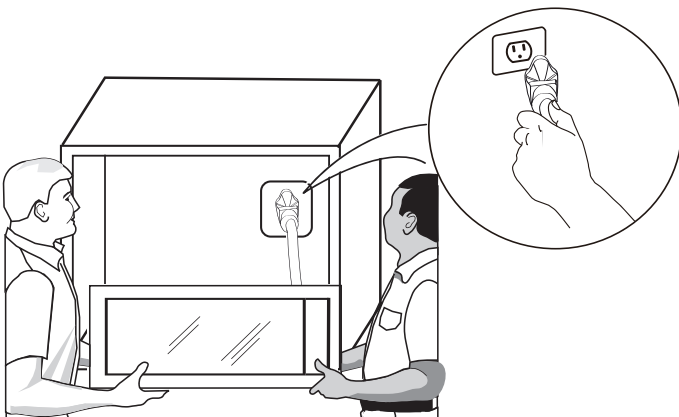
Do not use an extension cord.

Failure to follow these instructions can result in death, fire, or electrical shock.

2. Plug in microwave oven.
3. Slide the microwave oven back and into place.



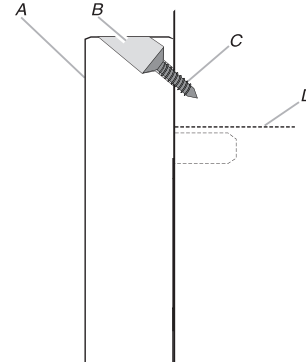
4. Adjust the microwave oven gently to the cutout/cabinet center.



Secure the Trim Kit Frame

1. Holding the trim kit frame in place, use 7/64" drill to drill four pilot holes into the front face of the cutout/cabinet through the mounting hole guides in the upper and lower corners of the trim kit frame.

NOTE: The holes will be drilled downward from the top, and upward from the bottom at an angle of about 45°.



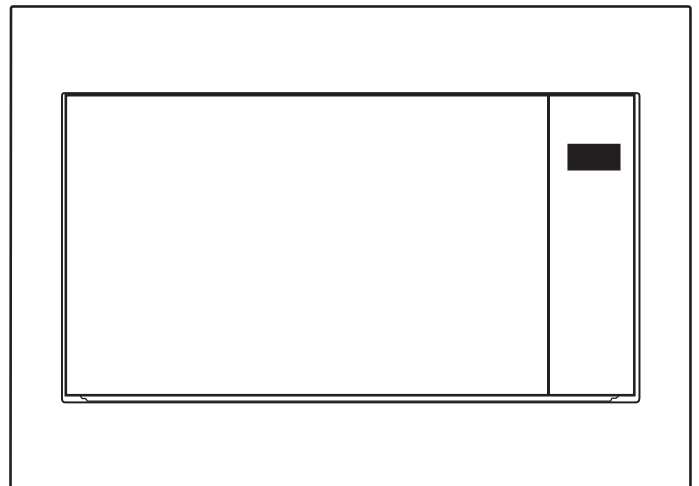
- A. Trim kit frame
- B. Mounting hole guide
- C. 7-16x15/16" flat head wood screw (4)
- D. Cutout ceiling

2. Secure trim kit frame to cutout/cabinet by installing four #7-16x15/16" flat head wood screws into the pilot holes drilled.

NOTE: To avoid damage to the trim kit frame, do not overtighten screws.

Installation is now complete. Replace any loose items that have been removed from microwave oven cavity.

Save these Installation Instructions for future reference.



SEGURIDAD DEL HORNO DE MICROONDAS

Su seguridad y la seguridad de los demás es muy importante.

Hemos incluido muchos mensajes importantes de seguridad en este manual y en su electrodoméstico. Lea y obedezca siempre todos los mensajes de seguridad.



Este es el símbolo de alerta de seguridad.

Este símbolo le llama la atención sobre peligros potenciales que pueden ocasionar la muerte o una lesión a usted y a los demás.

Todos los mensajes de seguridad irán a continuación del símbolo de advertencia de seguridad y de la palabra "PELIGRO" o "ADVERTENCIA". Estas palabras significan:

 **PELIGRO**

Si no sigue las instrucciones de inmediato, usted puede morir o sufrir una lesión grave.

 **ADVERTENCIA**

Si no sigue las instrucciones, usted puede morir o sufrir una lesión grave.

Todos los mensajes de seguridad le dirán el peligro potencial, le dirán cómo reducir las posibilidades de sufrir una lesión y lo que puede suceder si no se siguen las instrucciones.

REQUISITOS DE INSTALACIÓN




Herramientas y piezas

Herramientas necesarias

Reúna las herramientas y las piezas necesarias antes de comenzar la instalación. Lea y siga las instrucciones provistas con cualquiera de las herramientas detalladas aquí.

- Cinta métrica
- Lápiz
- Destornillador Phillips
- Broca de 7/64"
- Taladro

Paquete de tornillos suministrado (no se muestra a escala)

TORNILLO	ILUSTRACIÓN	CANT.
Tornillo de cabeza redonda para chapa n.º 7-18 x 7/16"		14
Tornillo de cabeza plana para madera n.º 7-16 x 15/16"		6
Tornillo de cabeza redonda para madera n.º 7-16 x 7/16"		10

NOTA: Hay algunos tornillos adicionales en el paquete de tornillos. Son repuestos para usar durante la instalación, si es necesario. Vea a continuación:

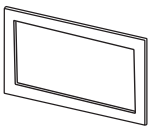
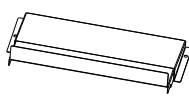
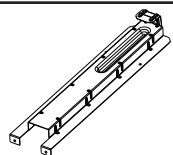
- Tornillo de cabeza redonda para chapa n.º 7-18 x 7/16": 4 adicionales.
- Tornillo de cabeza plana para madera n.º 7-16 x 15/16": 2 adicionales.
- Tornillo de cabeza redonda para madera n.º 7-16 x 7/16": 4 adicionales.

Piezas suministradas (no se muestran a escala)

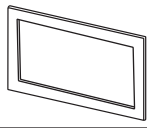
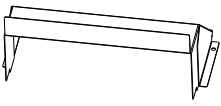
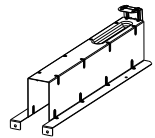
Estas instrucciones de instalación son para varios modelos. Algunas piezas suministradas pueden tener una apariencia diferente, según su modelo.

NOTA: Las piezas del marco del kit de molduras (1), los conductos de enfriamiento (2) y la guía (2) deberán comprarse para convertir la instalación del producto de estándar a delgado o de delgado a estándar.



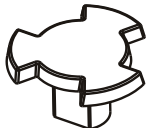
Piezas suministradas para los modelos: WMT50011K y KMBT5011K

PIEZA	ILUSTRACIÓN	CANT.
Marco del kit de molduras (delgado)		1
Conducto de enfriamiento (delgado)		2
Guía (delgado)		2

Piezas suministradas para los modelos: WMT55511K y KMBT5511K

PIEZA	ILUSTRACIÓN	CANT.
Marco del kit de molduras (estándar)		1
Conducto de enfriamiento (estándar)		2
Guía (estándar)		2

Piezas suministradas para todos los modelos

PIEZA	ILUSTRACIÓN	CANT.
Bandeja giratoria		1
Anillo de la bandeja giratoria		1
Accionador de la bandeja giratoria		1

NOTA: El accionador de la bandeja giratoria se encuentra dentro de la cavidad del horno de microondas. Retire la cinta antes de usar.

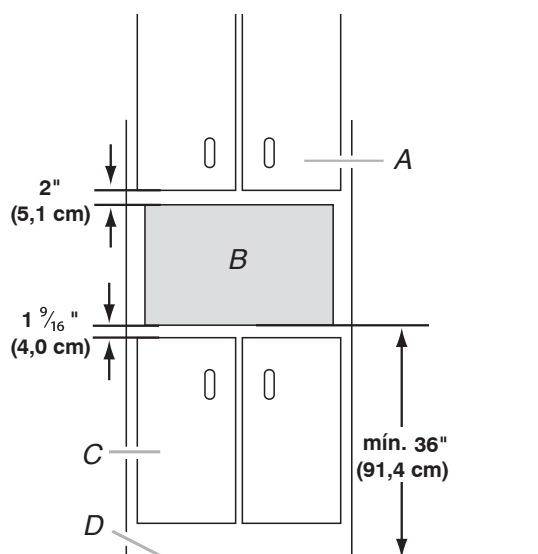
Requisitos de ubicación

Este es un electrodoméstico integrado. No lo use como horno de microondas para mostrador.

Este horno de microondas debe instalarse en un gabinete de madera. La ubicación debe ofrecer:

- Una abertura de recorte que esté a plomo y a escuadra.
- Una base de recorte que sea sólida, esté nivelada y al ras con el recorte inferior del gabinete.
- Un soporte de peso para 150 lb (68 kg) por lo menos, lo que incluye el horno de microondas y los artículos que se coloquen dentro de él.
- Debe haber un mínimo de 36" desde el piso hasta la base de recorte. Consulte la imagen siguiente.
- Tomacorriente conectado a tierra. Consulte la sección "Requisitos eléctricos".
- Espacios de instalación libres mínimos para el lugar de instalación. Consulte la sección "Dimensiones de recorte requeridas".
- Un recinto completamente cerrado alrededor de la parte empotrada del horno de microondas.
- La distancia de montaje entre una pared fija del lado de la puerta con bisagras y el horno de microondas es de 0,5" (1,3 cm)

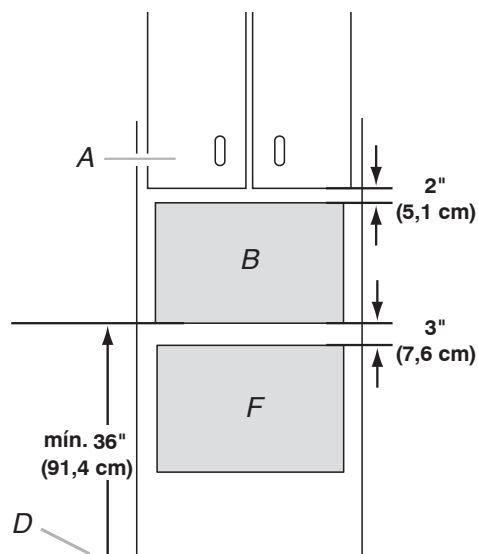
No instalado sobre un horno integrado



A. Gabinete superior C. Gabinetes inferiores
B. Recorte para el horno de microondas D. Piso

1. Distancia mínima de 36" (91,4 cm) desde el piso hasta la base de recorte.
2. El horno de microondas también se puede instalar solo en un gabinete (sin un horno integrado debajo). Deje un espacio libre de al menos 1⁹/₁₆" (4,0 cm) debajo del gabinete.
3. Cerciérese de que haya espacio suficiente para que los gabinetes que están alrededor puedan abrirse y cerrarse libremente. Deje un espacio libre de al menos 2" (5,1 cm) por encima de la abertura del recorte.

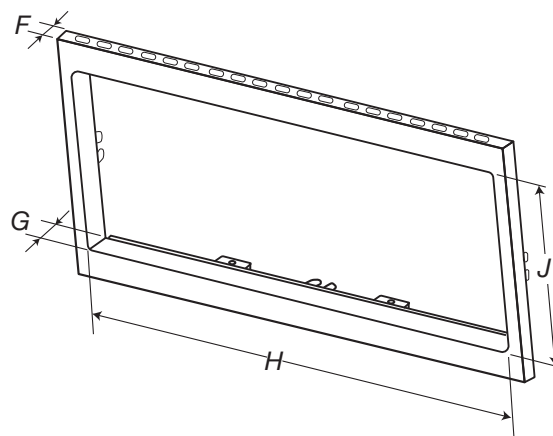
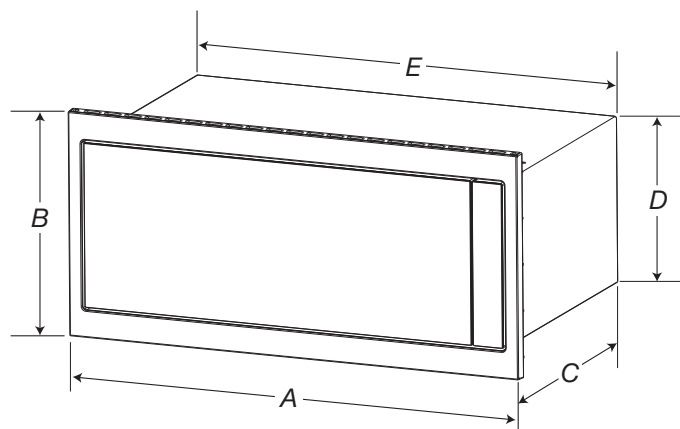
Instalado sobre un horno integrado



A. Gabinete superior D. Piso
B. Recorte para el horno de microondas F. Recorte para el horno inferior

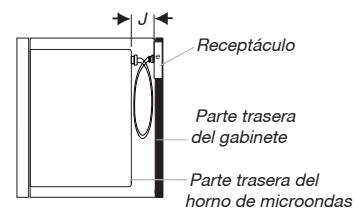
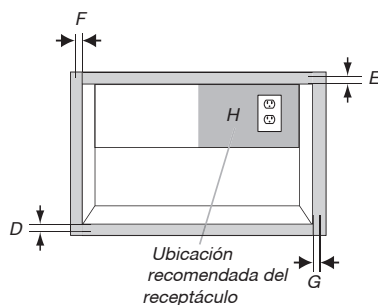
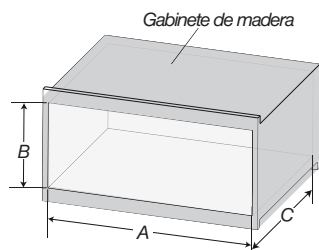
1. Distancia mínima de 36" (91,4 cm) desde el piso hasta la base de recorte.
2. El horno de microondas puede instalarse sobre un horno integrado. Si lo instala sobre un horno integrado, cerciérese de que haya un mínimo de 3" (7,6 cm) entre la parte superior del recorte para el horno inferior y la base de recorte del horno de microondas.
3. Cerciérese de que haya espacio suficiente para que los gabinetes que están alrededor puedan abrirse y cerrarse libremente. Deje un espacio libre de al menos 2" (5,1 cm) por encima de la abertura del recorte.

Dimensiones del producto



Medida de la unidad		Modelos delgados		Modelos estándar	
		pulg.	cm	pulg.	cm
A	Ancho de la unidad con marco del kit de molduras	29 ³ / ₄	75,6	29 ³ / ₄	75,6
B	Altura de la unidad con marco del kit de molduras	14	35,6	19 ¹ / ₈	48,6
C	Profundidad de la unidad	18	45,7	18	45,7
D	Altura de la unidad sin marco del kit de molduras	10 ⁵ / ₁₆	26,2	10 ⁵ / ₁₆	26,2
E	Ancho de la unidad sin marco del kit de molduras	27 ¹³ / ₁₆	70,7	27 ¹³ / ₁₆	70,7
F	Espesor del marco del kit de molduras (visible)	7/8	2,2	7/8	2,2
G	Espesor total del marco	2 ⁵ / ₁₆	5,8	2 ⁵ / ₁₆	5,8
H	Ancho de la apertura interior del marco del kit de molduras	28	71,1	28	71,1
J	Altura de la apertura interior del marco del kit de molduras	10 ⁹ / ₁₆	26,9	10 ⁹ / ₁₆	26,9

Dimensiones de recorte requeridas



Medida del recorte del gabinete		Modelos delgados		Modelos estándar	
		pulg.	cm	pulg.	cm
A	Ancho de la abertura del gabinete	28 ¹ / ₂	72,4	28 ¹ / ₂	72,4
B	Altura de la apertura del gabinete	12	30,5	17 ¹ / ₈	43,5
C	Profundidad de la abertura del gabinete	Mínimo 21 ³ / ₄ " (55,2 cm) con receptáculo al ras			
D	Saliente del marco del kit de molduras (marco inferior)	1	2,54	1	2,54
E	Saliente del marco del kit de molduras (marco superior)	1	2,54	1	2,54
F	Saliente del marco del kit de molduras (marco izquierdo)	5/8	1,6	5/8	1,6
G	Saliente del marco del kit de molduras (marco derecho)	5/8	1,6	5/8	1,6
H	Zona recomendada para el receptáculo	Cuadrante superior derecho			
J	De la superficie del receptáculo a la parte posterior del horno de microondas	4" (10,2 cm) < J < 40" (102 cm)			

NOTA:

- Se recomienda receptáculo al ras. Para receptáculos que no estén al ras, asegúrese de tener un espacio libre de al menos 4" (10,2 cm) entre la parte posterior del horno de microondas y el receptáculo.
- Si el receptáculo se coloca fuera de la región recomendada, asegúrese de que la parte posterior del horno de microondas esté a menos de 40" (102 cm) del receptáculo. De lo contrario, el cable de alimentación no será lo suficientemente largo como para enchufarlo.
- La tolerancia para el ancho y la altura de la abertura del gabinete es de 1/16" (2 mm).

⚠ ADVERTENCIA



Peligro de Choque Eléctrico

Conecte a un contacto de pared de conexión a tierra de 3 terminales.

No quite la terminal de conexión a tierra.

No use un adaptador.

No use un cable eléctrico de extensión.

No seguir estas instrucciones puede ocasionar la muerte, incendio o choque eléctrico.

Respete todos los códigos y las ordenanzas vigentes.

Se necesita:

- Un suministro eléctrico de 120 V, 60 Hz, CA solamente, de 15 o 20 A con fusible o disyuntor

Se recomienda:

- Un fusible o un disyuntor retardador
- Un circuito separado que preste servicio solamente a este horno de microondas.

INSTRUCCIONES PARA LA CONEXIÓN A TIERRA

■ Para todos los aparatos electrodomésticos de conexión con cable:

El horno de microondas debe estar conectado a tierra. En caso de que se produzca un cortocircuito, la conexión a tierra reduce el riesgo de electrocución por medio de un alambre de escape para la corriente eléctrica. El horno de microondas está equipado con un cable que tiene un alambre de conexión a tierra con un enchufe para conexión a tierra. El enchufe debe estar conectado a un tomacorriente que está correctamente instalado y conectado a tierra.

ADVERTENCIA: El uso incorrecto del enchufe para la conexión a tierra puede resultar en riesgo de electrocución. Consulte con un electricista o técnico calificado si las instrucciones para conexión a tierra no se entienden bien o si hay alguna duda con respecto a la correcta conexión a tierra del horno de microondas.

No use un cable de extensión. Si el cable de suministro eléctrico es muy corto, haga que un electricista o técnico calificado instale un tomacorriente cerca del horno de microondas.

GUARDE ESTAS INSTRUCCIONES

Este dispositivo cumple con la sección 18 de las reglas de FCC.

INSTRUCCIONES DE INSTALACIÓN

Instrucciones para el desempaque

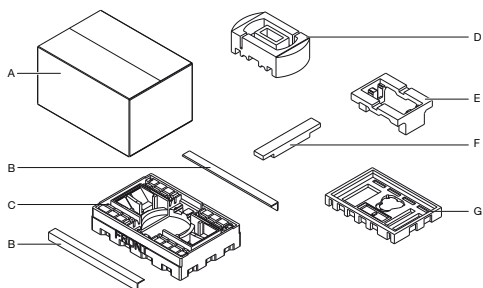
⚠ ADVERTENCIA

Peligro de Peso Excesivo

Use dos o más personas para mover e instalar el horno de microondas.

No seguir esta instrucción puede ocasionar una lesión en la espalda u otro tipo de lesiones.

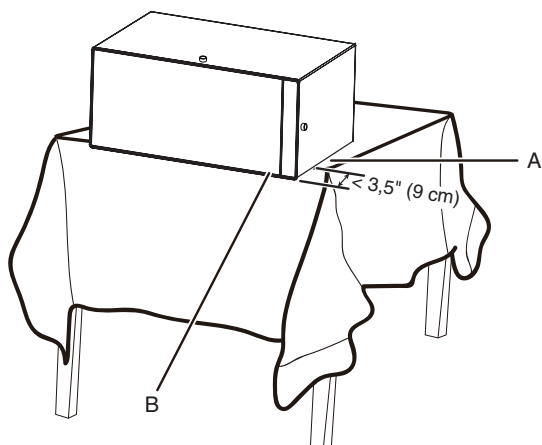
- Desempaque el horno de microondas y verifique si se suministraron todas las piezas y si se incluye un paquete de tornillos. Consulte las secciones "Paquete de tornillos suministrado" y "Piezas suministradas". Son necesarios para la instalación.
- Deseche/recicle todos los materiales de embalaje.



- A. Caja de cartón (1)
 B. Barra de ángulo (2)
 C. Cojín superior (1)
 D. Cojín pequeño (1)
 E. Cojín interior (solo modelos estándar)
 F. Barra de amortiguación interior (solo modelos estándar)
 G. Cojín inferior

Preparación del horno de microondas

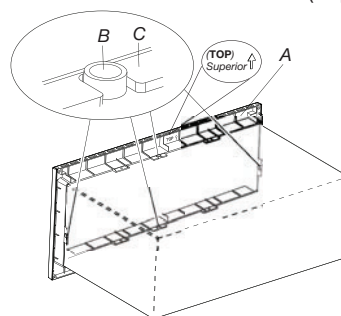
- Retire cualquier objeto suelto del interior del horno microondas.
- Coloque el horno microondas en una superficie estable con la puerta un poco más allá del borde de la superficie.



- A. Borde de la mesa
 B. Borde del microondas (parte inferior de la puerta)

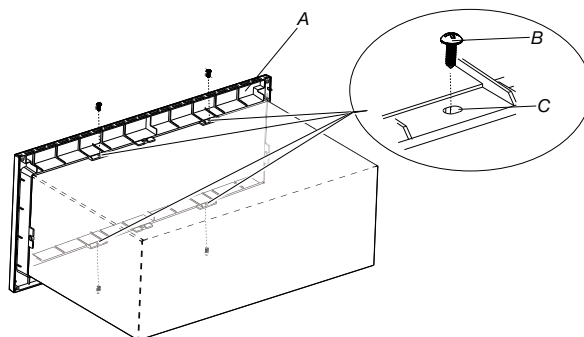
- Fije el marco del kit de molduras al horno de microondas con los pasos siguientes:

- Retire la película protectora de la puerta antes de la instalación.
- Inserte los cuatro orificios de ubicación del marco del kit de molduras en los cuatro pasadores de ubicación del horno de microondas. Instale el marco del kit de molduras en la orientación adecuada. El lado "TOP" (Superior) está marcado.



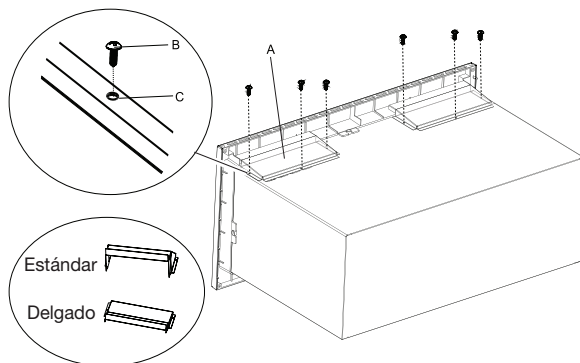
- Fije el marco del kit de molduras al horno de microondas con cuatro tornillos de cabeza redonda para chapa n.º 7-18 x 7/16".
- A. Marco del kit de molduras
 B. Pasador de ubicación (4)
 C. Orificio guía (4)

n.º 7-18 x 7/16".



- A. Marco del kit de molduras
 B. Tornillo de cabeza redonda para chapa n.º 7-18 x 7/16" (4)
 C. Orificio para tornillo (4)

- Asegure los dos conductos de enfriamiento a la parte superior del horno de microondas con seis tornillos de cabeza redonda para chapa n.º 7-18 x 7/16".

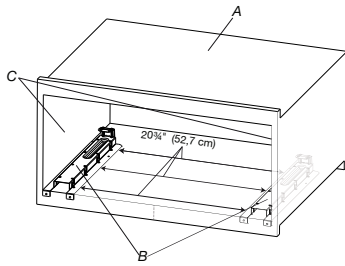


- A. Conducto de enfriamiento (2)
 B. Tornillo de cabeza redonda para chapa n.º 7-18 x 7/16" (6)
 C. Orificio para tornillo (6)

NOTA: El conducto de enfriamiento puede tener una apariencia ligeramente diferente, según el modelo.

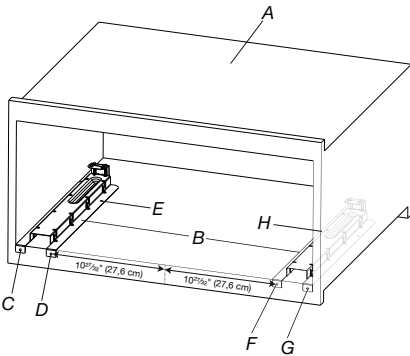
Instalación de las guías

1. Con cinta métrica y lápiz, marque la línea central de la abertura en la pared delantera inferior del gabinete.
2. Coloque las dos guías dentro del gabinete como se muestra a continuación, de modo que la distancia entre los bordes más cercanos sea de $20\frac{3}{4}$ " (52,7 cm).



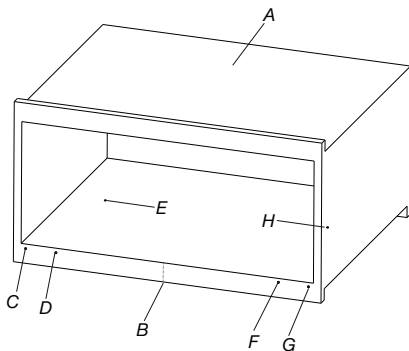
A. Gabinete
B. Guías
C. Pared lateral

3. Use un lápiz para dibujar las marcas de tornillo en los seis orificios para tornillos de los rieles C, D, E, F, G, H en el gabinete. Confirme que la distancia desde el orificio D hasta la línea central sea de $10\frac{27}{32}$ " (27,6 cm). Además, la distancia desde el orificio F hasta la línea central debe ser de $10\frac{27}{32}$ " (27,6 cm), como se muestra. Luego quite los dos rieles.



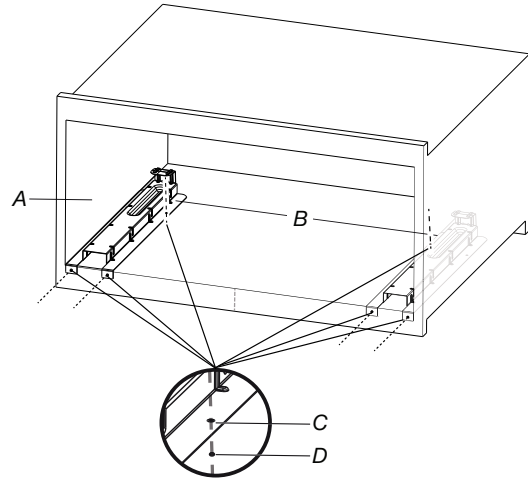
A. Gabinete
B. Guías
C. Orificio C en la guía izquierda
D. Orificio D en la guía izquierda
E. Orificio E en la guía izquierda
F. Orificio F en la guía derecha
G. Orificio G en la guía derecha
H. Orificio H en la guía derecha

4. Con una broca de $7/64$ ", taladre cuatro orificios piloto C, D, F, G en la pared delantera inferior del gabinete y dos orificios piloto E y H dentro de la parte inferior del gabinete.



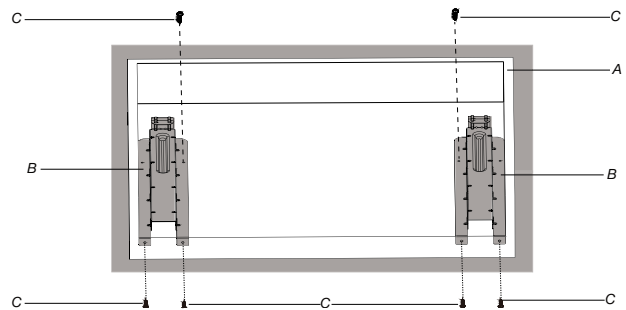
A. Gabinete
B. Línea central
C. Orificio piloto C
D. Orificio piloto D
E. Orificio piloto E
F. Orificio piloto F
G. Orificio piloto G
H. Orificio piloto H

5. Coloque las dos guías dentro del gabinete y alinee los orificios de los tornillos en las guías con los orificios piloto en el gabinete.



A. Gabinete
B. Guías
C. Orificios en las guías
D. Orificios piloto en el gabinete

6. Fije las dos guías con los seis tornillos de cabeza redonda para madera n.º 7-16 x 7/16".



A. Gabinete
B. Guía (2)
C. Tornillo de cabeza redonda para madera n.º 7-16 x 7/16" (6)

Instalación del horno de microondas

1. Coloque el horno de microondas cerca de la abertura del recorte.

⚠ ADVERTENCIA



Peligro de Choque Eléctrico

Conecte a un contacto de pared de conexión a tierra de 3 terminales.

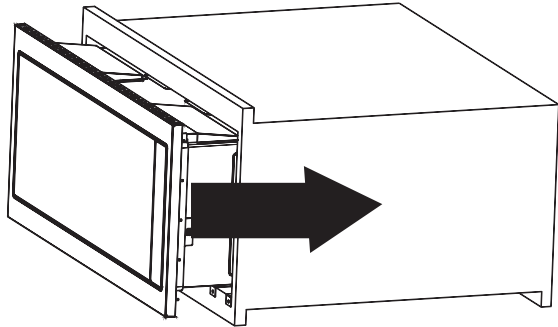
No quite la terminal de conexión a tierra.

No use un adaptador.

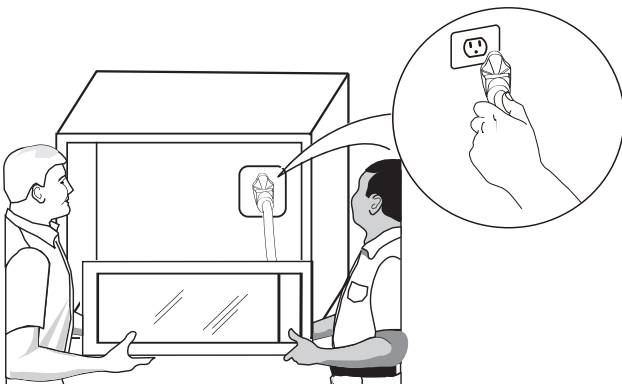
No use un cable eléctrico de extensión.

No seguir estas instrucciones puede ocasionar la muerte, incendio o choque eléctrico.

2. Enchufe el horno de microondas.
3. Deslice el horno de microondas hacia atrás hasta que llegue a su lugar.



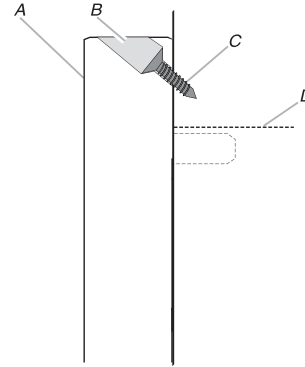
4. Ajuste el horno de microondas suavemente para centrarlo en el recorte/gabinete.



Fijar el marco del kit de molduras

1. Sosteniendo el marco del kit de molduras en el lugar, use una broca de 7/64" para taladrar cuatro orificios piloto en la cara delantera del recorte/gabinete a través de las guías de los orificios de montaje en las esquinas superior e inferior del marco del kit de molduras.

NOTA: Los orificios se deben taladrar hacia abajo desde la parte superior y hacia arriba desde la parte inferior, en un ángulo de alrededor de 45°.



A. Marco del kit de molduras

B. Guía del orificio de montaje

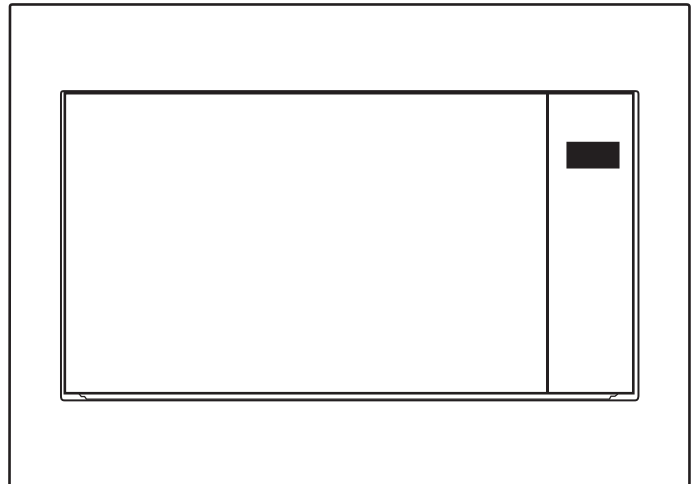
C. Tornillo de cabeza plana para madera n.º 7-16 x 15/16" (4)

D. Parte superior del recorte

2. Fije el marco del kit de molduras al recorte/gabinete con cuatro tornillos de cabeza plana para madera n.º 7-16 x 15/16" en los orificios piloto taladrados.

NOTA: Para evitar daños en el marco del kit de molduras, no apriete demasiado los tornillos.

Se ha completado la instalación. Vuelva a colocar los artículos sueltos que se quitaron de la cavidad del horno de microondas. Conserve estas instrucciones de instalación para referencia futura.



NOTAS

NOTAS