

EN FRONT LOAD DRYER

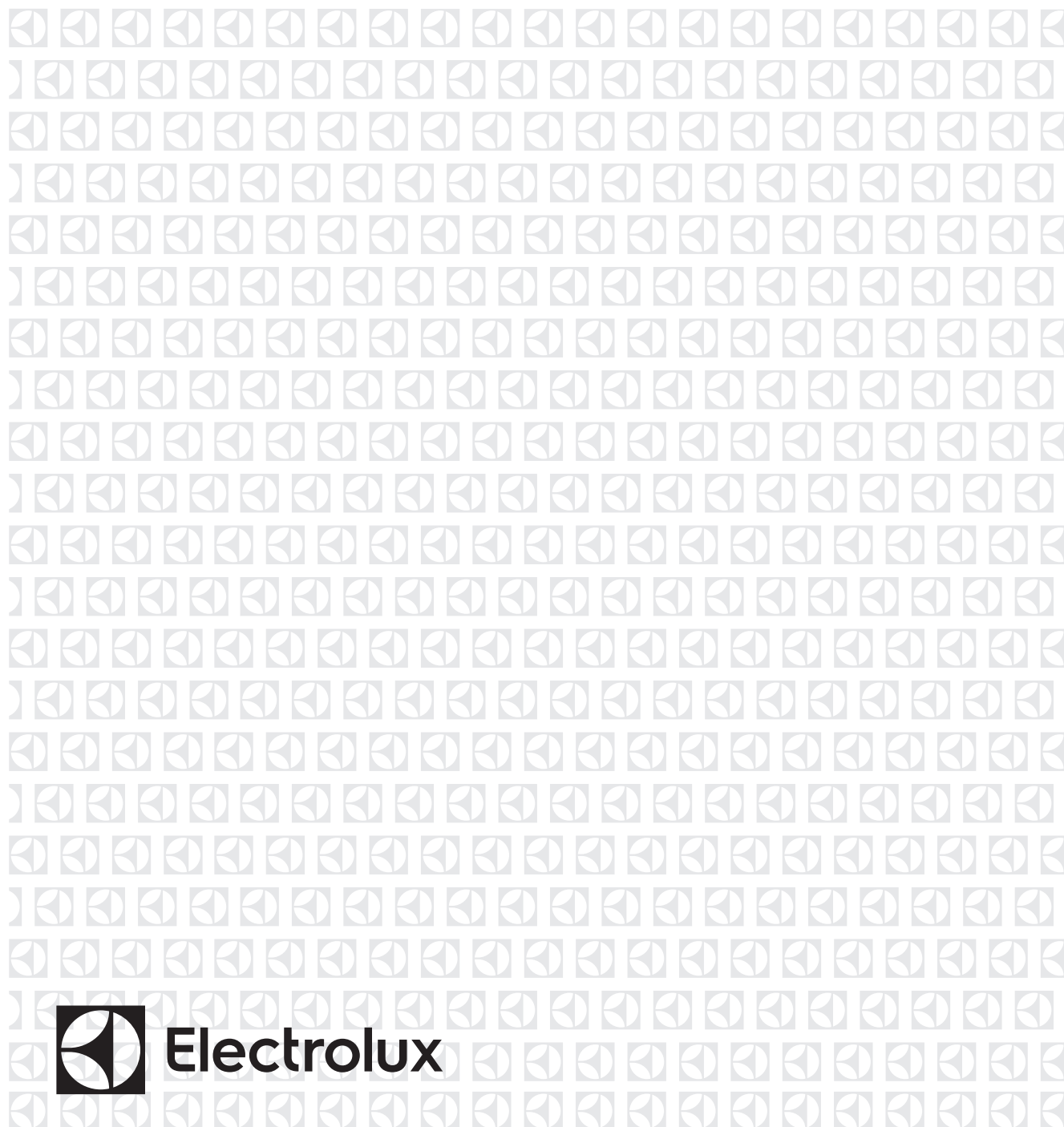
FR SÉCHEUSE À CHARGEMENT FRONTAL

ES SECADORA DE CARGA FRONTAL

INSTALLATION INSTRUCTIONS

INSTRUCTIONS D'INSTALLATION

INSTRUCCIONES DE INSTALACIÓN



2 Important Safety Instructions



WARNING

Please read all instructions before using this dryer.

Recognize Safety Symbols, Words and Labels

Safety items throughout this manual are labeled with a WARNING or CAUTION based on the risk type as described below:

Definitions

⚠ This is the safety alert symbol. It is used to alert you to potential personal injury hazards. Obey all safety messages that follow this symbol to avoid possible injury or death.



DANGER

DANGER indicates an imminently hazardous situation which, if not avoided, will result in death or serious injury.



WARNING

WARNING indicates a potentially hazardous situation which, if not avoided, could result in death or serious injury.



CAUTION

CAUTION indicates a potentially hazardous situation which, if not avoided, may result in minor or moderate injury.



IMPORTANT

Indicates installation, operation, or maintenance information which is important but not hazard-related.

Table of Contents

Important Safety Instructions	2
Installation Requirements.....	4
Installation Instructions	8
Reversing Door.....	15
Accessories.....	17

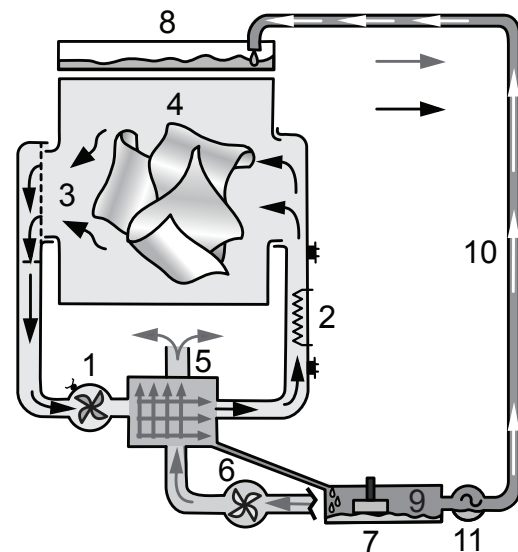
Thank you for choosing an Electrolux Compact Ventless Dryer. This dryer operates on a different drying principle than traditional exhaust ducted dryers. Your new dryer is a condensation, ventless dryer and **DOES NOT** require exhaust venting that exhausts the drying process air to the outside.

A condensation dryer works through a closed loop circuit. The drying process air is heated by an internal heating element, which then passes over and through your clothes. The moisture rich air proceeds down through a lint filter, then through an air-air heat exchanger that works as a condenser. The warm, wet air is cooled by a separate secondary fan that utilizes ambient room air. When the process air cools down, it releases moisture that is collected in a recovery basin at the bottom of the appliance. The water can be either pumped down the drain by the provided kit, or pumped directly into a tank that needs to be emptied after each drying cycle.



IMPORTANT

Your new dryer is a condensation, ventless dryer and **DOES NOT** require exhaust venting that exhausts the drying process air to the outside.



- | | |
|---|--|
| 1. Primary circuit – drying process air fan | 6. Secondary circuit – ambient air fan |
| 2. Heating element | 7. Drain water basin |
| 3. Lint filter | 8. Water tank |
| 4. Clothes load | 9. Float/pump switch |
| 5. Heat exchanger | 10. Water drain tube |
| | 11. Water pump |



WARNING

For your safety the information in this manual must be followed to minimize the risk of fire or explosion or to prevent property damage, personal injury or loss of life. Do not store or use gasoline or other flammable vapors and liquids in the vicinity of this or any other appliance.



WARNING RISK OF FIRE

Read all the following instructions before installing and using this appliance.

- Recycle the carton and dispose of plastic bags after the dryer is unpacked. Children might use them to play. Cartons covered with rugs, bedspreads, or plastic sheets can become airtight chambers causing suffocation. Place all materials in a garbage container or make materials inaccessible to children.
- Clothes dryer installation and service must be performed by a qualified installer or service agency.
- Install the clothes dryer according to the manufacturer's instructions and local codes.
- The electrical service to the dryer must conform with local codes and ordinances and the latest edition of the National Electrical Code, ANSI/NFPA 70, or in Canada, the Canadian Electrical Code CSA C22.1 part 1.
- The dryer is designed under ANSI Z21.5.1/CSA 7.1 or UL 2158 - CAN/CSA C22.2 No. 112 (latest editions) for HOME USE only. This dryer is not recommended for commercial applications such as restaurants, beauty salons, etc.
- **DO NOT** stack a dryer on top of washer already installed on pedestal. **DO NOT** stack dryer on top of another dryer. **DO NOT** stack washer on top of dryer. **DO NOT** stack washer on top of another washer. **DO NOT** stack dryer on top of washer without use of manufacturer approved and correctly installed stacking kit appropriate for your model.

The instructions in this manual and all other literature included with this dryer are not meant to cover every possible condition and situation that may occur. Good safe practice and caution **MUST** be applied when installing, operating and maintaining any appliance.



CAUTION

EXCESSIVE WEIGHT HAZARD

To avoid back or other injury, have more than one person move or lift the dryer.



WARNING

EXPLOSION HAZARD

Do not install the dryer where gasoline or other flammables are kept or stored. If the dryer is installed in a garage, it must be a minimum of 18 inches (45.7 cm) above the floor. Failure to do so can result in death, explosion, fire or burns.



IMPORTANT

DO NOT INSTALL YOUR DRYER:

1. In an area exposed to dripping water or outside weather conditions.
2. On carpet. Floor **MUST** be solid with a maximum slope of 1 inch (2.5 cm).

SAVE THESE INSTRUCTIONS FOR FUTURE REFERENCE.

Please Read and Save this Guide

Thank you for choosing Electrolux, the premium brand in home appliances. These Installation Instructions are part of our commitment to customer satisfaction and product quality throughout the life of your new appliance.

Questions?

Toll-free telephone and online support:

U.S. : 1-877-4ELECTROLUX
(1-877-435-3287)

www.electroluxappliances.com

Canada: 1-800-265-8352

www.electroluxappliances.ca



Installation Checklist

Unpacking

- Plastic film (lining drum interior) is removed and discarded. See also image below.

Leveling

- Dryer is level, side-to-side and front-to-back
- Cabinet is setting solid on all corners

208v/240v Electric Supply

- Approved NEMA 10-30 or 14-30 service cord with all screws tight on terminal block
- Terminal access cover/strain relief installed before initial operation

Note: Dryers operating on 208 volt power supply will have longer drying times than dryers operating on 240 volt power supply.

Door Reversal

- Follow detailed instructions in this guide
- Test hinge and latch for function

Electrical Power

- House power turned on
- Dryer plugged in

Final Checks

- Installation Instructions and Use & Care Guide read thoroughly
- Door latches and drum tumbles when cycle starts
- Registration card sent in

Tools and Materials Needed for Installation:



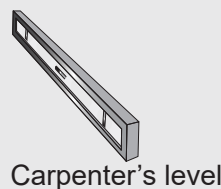
AND



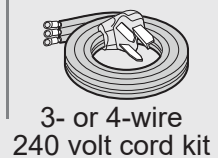
OR



AND



AND



Electrical Requirements for Electric Dryer



NOTE

Because of potentially inconsistent voltage capabilities, the use of this dryer with power created by gas powered generators, solar powered generators, wind powered generators or any other generator other than the local utility company is not recommended.

CIRCUIT - Individual 30 amp. branch circuit fused with 30 amp. time delay fuses or circuit breakers. Use separately fused circuits for washer and dryer. **DO NOT** operate a washer and a dryer on the same circuit.

POWER SUPPLY - 3-wire or 4-wire, 208-240 volt, single phase, 60 Hz, Alternating Current.



IMPORTANT

This dryer is internally grounded to neutral unless it was manufactured for sale in Canada.

Only a 4-conductor cord shall be used when the appliance is installed in a location where grounding through the neutral conductor is prohibited. Grounding through the neutral link is prohibited for: (1) new branch circuit installations, (2) mobile homes, (3) recreational vehicles, and (4) areas where local codes do not permit grounding through the neutral.

OUTLET RECEPTACLE - NEMA 10-30R or NEMA 14-30R receptacle to be located so the power supply cord is accessible when the dryer is in the installed position.

GROUNDING CONNECTION - See "Grounding requirements" in Electrical Installation section.

4-WIRE POWER SUPPLY CORD KIT (not supplied)



4-wire receptacle
(NEMA type 14-30R)

The dryer **MUST** employ a 4-conductor power supply cord NEMA 14-30 type SRDT or ST (as required) rated at 240 volt AC minimum, 30

amp, with 4 open end spade lug connectors with upturned ends or closed loop connectors and marked for use with clothes dryers. For 4-wire cord connection instructions see **ELECTRICAL CONNECTIONS FOR A 4-WIRE SYSTEM**.



NOTE

Dryers manufactured for sale in Canada have factory-installed, 4-wire power supply cord (NEMA 14-30).

3-WIRE POWER SUPPLY CORD KIT (not supplied)



3-wire receptacle
(NEMA type 10-30R)

The dryer **MUST** employ a 3-conductor power supply cord NEMA 10-30 type SRDT rated at 240 volt AC minimum, 30 amp, with 3 open end spade lug connectors with upturned ends or closed loop connectors and marked for use with clothes dryers. For 3-wire cord connection instructions see **ELECTRICAL CONNECTIONS FOR A 3-WIRE SYSTEM**.



WARNING

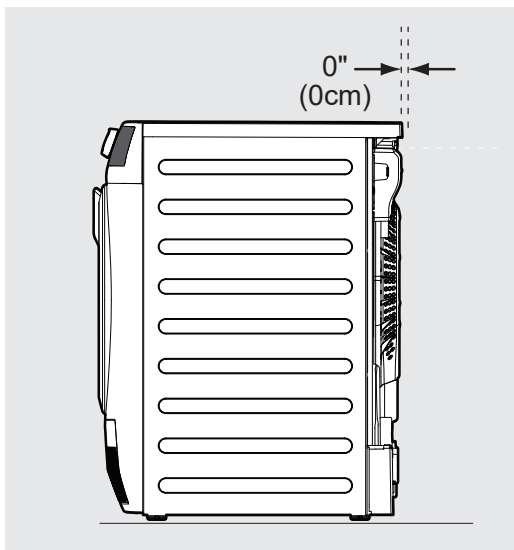
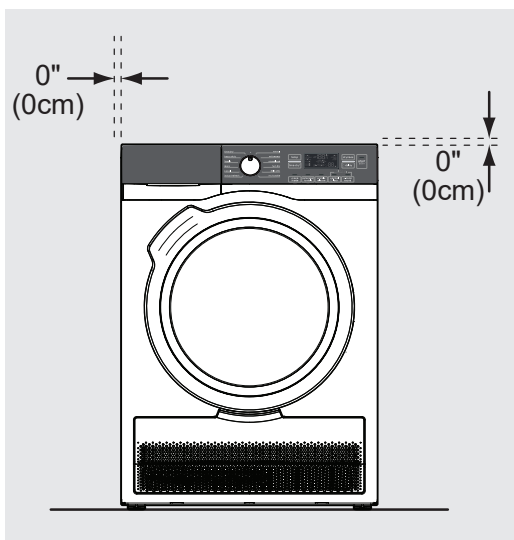
Improper grounding of the dryer may cause serious injury or death. Check with a licensed electrician if you are in doubt as to whether the appliance is properly grounded.

6 Installation Requirements

Manufactured or Mobile Home Installation

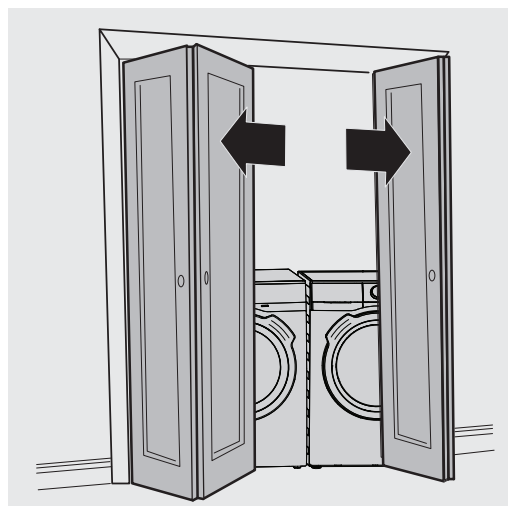
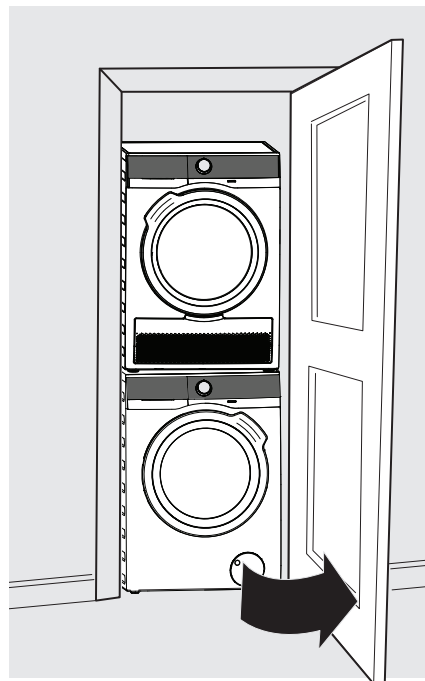
Installation MUST conform to current Manufactured Home Construction & Safety Standard, Title 24 CFR, Part 32-80 (formerly the Federal Standard for Mobile Home Construction and Safety, Title 24, HUD Part 280) or Standard CAN/CSAZ240 MH.

Clearance Requirements



Closet Installation

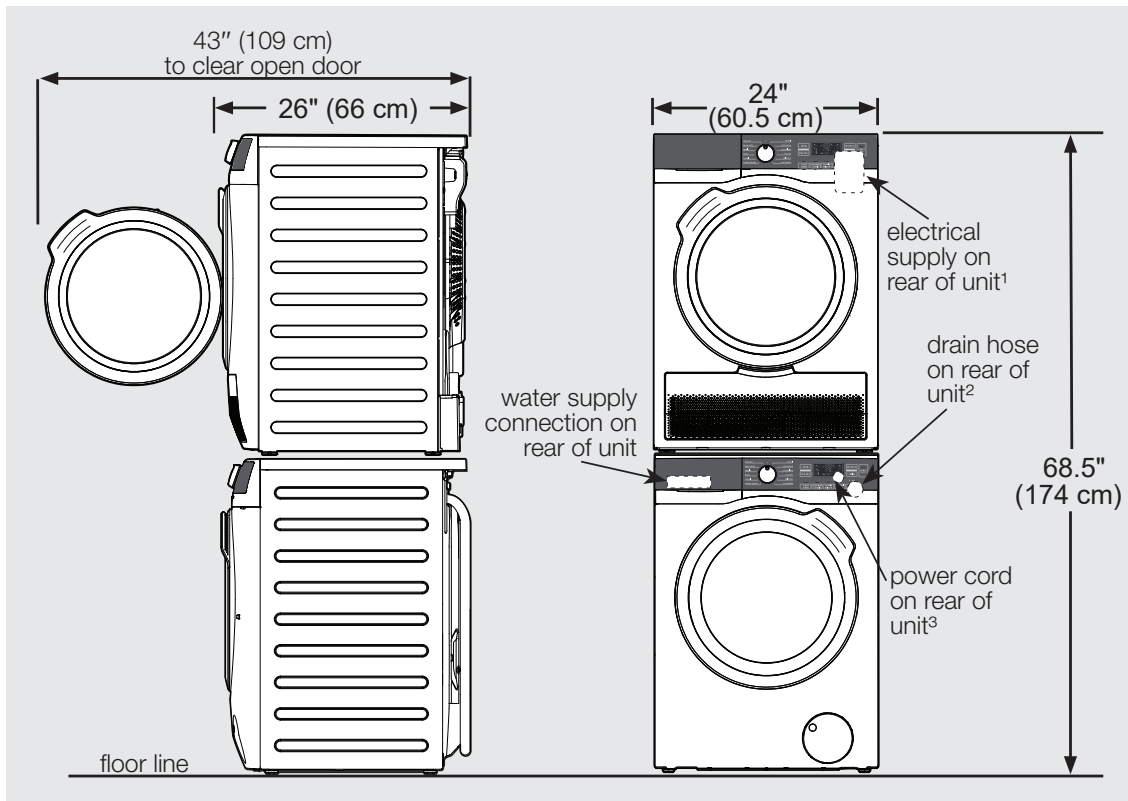
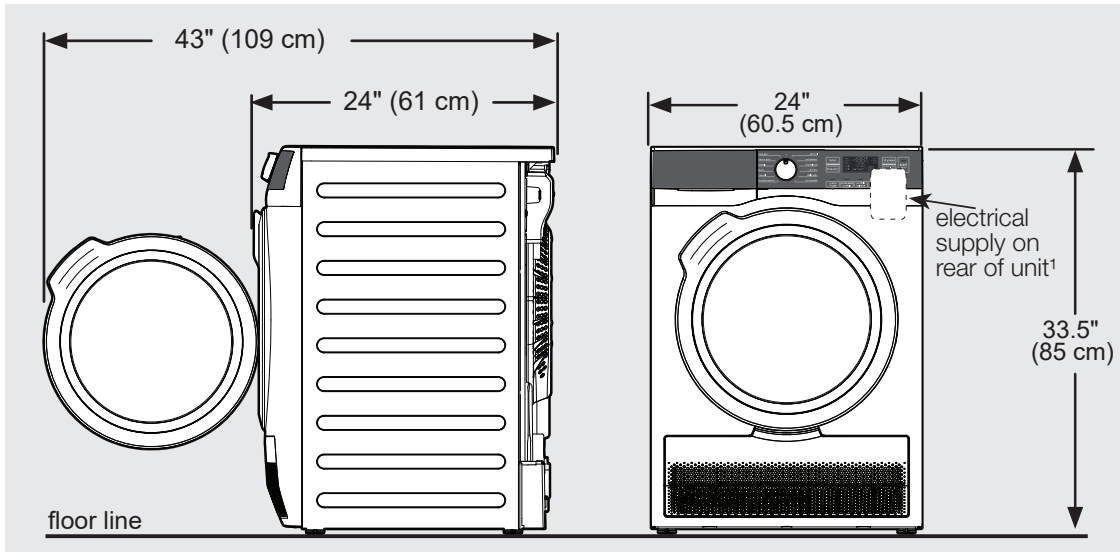
If installing the dryer in a closet, the closet door must remain open while the dryer is running to allow correct air circulation. See Use & Care Guide for more information.



MINIMUM INSTALLATION CLEARANCES - Inches (cm)

	SIDES	REAR	TOP	FRONT
Alcove	0" (0 cm)	0" (0 cm)	0" (0 cm)	n/a
Under Counter	0" (0 cm)	0" (0 cm)	0" (0 cm)	n/a

Dryer Dimensions



¹Power supply cord length on Canadian dryer approximately 59 inches (150 cm).

²Drain hose length on washer approximately 55 inches (140 cm).

³Power supply cord length on washer approximately 59 inches (150 cm).

8 Installation Instructions

Electrical Installation

The following are specific requirements for proper and safe electrical installation of your dryer. Failure to follow these instructions can create electrical shock and/or a fire hazard.



WARNING

ELECTRICAL SHOCK HAZARD

- This appliance **MUST** be properly grounded. Electrical shock can result if the dryer is not properly grounded. Follow the instructions in this manual for proper grounding.
- Do not use an extension cord with this dryer. Some extension cords are not designed to withstand the amounts of electrical current this dryer utilizes and can melt, creating electrical shock and/or fire hazard. Locate the dryer within reach of the receptacle for the length power cord to be purchased, allowing some slack in the cord. Refer to the pre-installation requirements in this manual for the proper power cord to be purchased.



WARNING

ELECTRICAL SHOCK HAZARD

- A U.L.-approved strain relief must be installed onto power cord. If the strain relief is not attached, the cord can be pulled out of the dryer and can be cut by any movement of the cord, resulting in electrical shock.
- Do not use an aluminum wired receptacle with a copper wired power cord and plug (or vice versa). A chemical reaction occurs between copper and aluminum and can cause electrical shorts. The proper wiring and receptacle is a copper wired power cord with a copper wired receptacle.



NOTE

The electric dryer has been designed and certified to operate at both 240V and 208V. Drying times on a 208V power supply will, however, be approximately 20% longer than drying times on a 240V power supply. This is normal and expected behavior and applies to all drying cycles.



WARNING

ELECTRICAL SHOCK HAZARD

Improper connection of the equipment grounding conductor can result in a risk of electrical shock. Check with a licensed electrician if you are in doubt as to whether the appliance is properly grounded.

Grounding Requirements - Electric Dryer (USA)

For a grounded, cord-connected dryer:

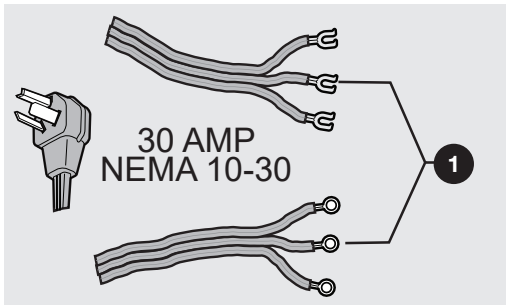
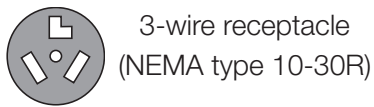
1. The dryer **MUST** be grounded. In the event of a malfunction or breakdown, grounding will reduce the risk of electrical shock by a path of least resistance for electrical current.
2. After purchase and installation of a 3-wire or 4-wire power supply cord having an equipment-grounding conductor and a grounding plug matching the wiring system of the location of installation, the plug **MUST** be plugged into an appropriate, copper wired receptacle that is properly installed and grounded in accordance with all local codes and ordinances. If in doubt, call a licensed electrician.
3. **DO NOT** modify the plug you've installed on this appliance. If it will not fit the outlet, have a proper outlet installed by a qualified electrician.

Grounding Requirements - Electric Dryer (Canada)

For a grounded, cord-connected dryer:

1. The dryer **MUST** be grounded. In the event of a malfunction or breakdown, grounding will reduce the risk of electrical shock by a path of least resistance for electrical current.
2. Since your dryer is equipped with a power supply cord having an equipment-grounding conductor and a grounding plug, the plug must be plugged into an appropriate outlet that is properly installed and grounded in accordance with all local codes and ordinances. If in doubt, call a licensed electrician.
3. **DO NOT** modify the plug provided with this appliance. If it will not fit the outlet, have a proper outlet installed by a qualified electrician.

Electrical Connection (Non-Canada) - 3-wire Cord



1 Neutral (center wire)



NOTE

Two cords shown above with different terminal types.



WARNING

ELECTRICAL SHOCK HAZARD

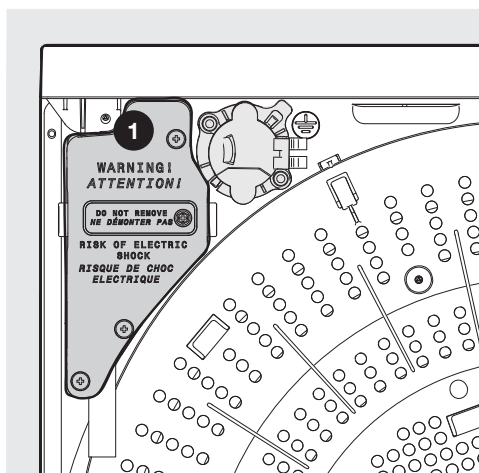
Failure to disconnect power source before servicing could result in personal injury or even death.

1. Turn off power supply to outlet.
2. Remove the three screws securing the terminal block access cover in the upper corner on the back of the dryer.



NOTE

Terminal screws were shipped from the factory temporarily attached inside the access cover.



1 Terminal Block Access Cover

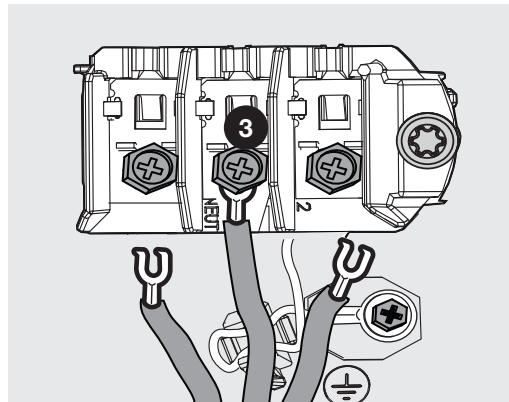
3. Using an UNPLUGGED, UL-approved, 30 amp. power cord, NEMA 10-30 type SRDT, attach the neutral (center wire) conductor to the SILVER colored center terminal on the terminal block. Tighten the screw securely.



WARNING

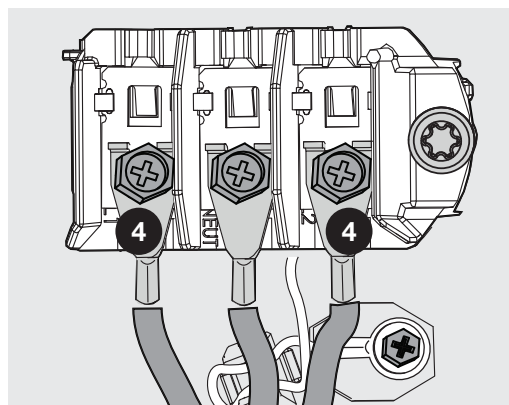
ELECTRICAL SHOCK HAZARD

DO NOT move internal ground in a 3-wire system.



3 Neutral Silver Terminal

4. Attach the remaining two power cord outer conductors to the outer, BRASS colored terminals on the terminal block. Tighten both screws securely.



4 Outer Brass Terminals



WARNING

ELECTRICAL SHOCK HAZARD

Do not make a sharp bend or crimp wiring/conductor at connections.

10 Installation Instructions

5. Reinstall the terminal block access cover.



WARNING

ELECTRICAL SHOCK HAZARD

Do not operate dryer without terminal cover in place. A correctly installed terminal block access cover also acts a qualified strain relief for the power cord.



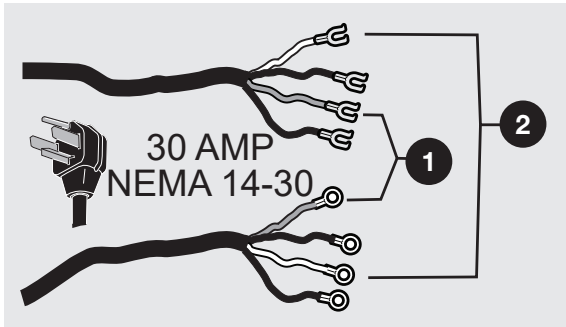
IMPORTANT

If moving dryer from a 4-wire system and installing it now in a 3-wire system, move the internal ground wire from the center terminal back to the GREEN screw under the terminal block.

Electrical Connection (Non-Canada) - 4-Wire Cord



4-wire receptacle
(NEMA type 14-30R)



- 1 Ground GREEN wire
- 2 Neutral White wire



NOTE

Two cords shown above with different terminal types.



WARNING

ELECTRICAL SHOCK HAZARD

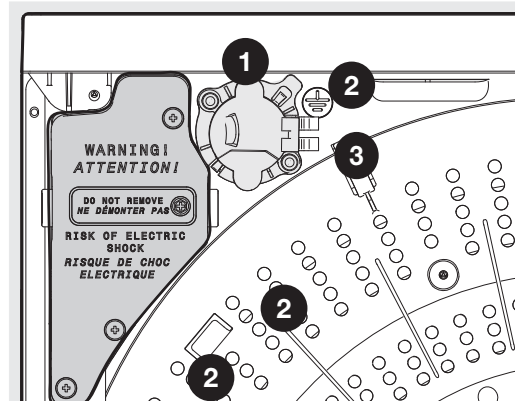
Failure to disconnect power source before servicing could result in personal injury or even death.

1. Turn off power supply to outlet.
2. Remove the three screws securing the terminal block access cover in the upper corner on the back of the dryer.



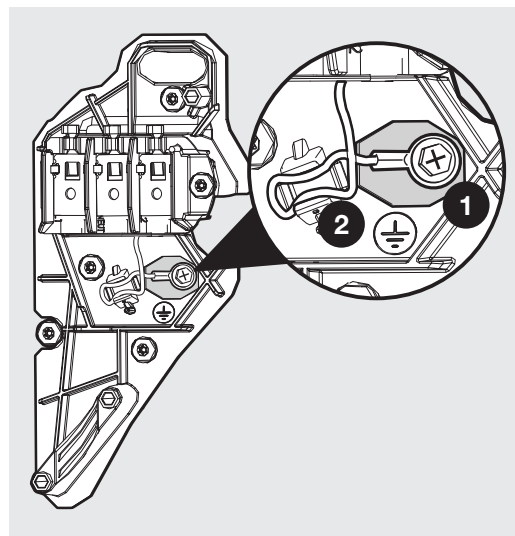
NOTE

Terminal screws were shipped from the factory temporarily attached inside the access cover.



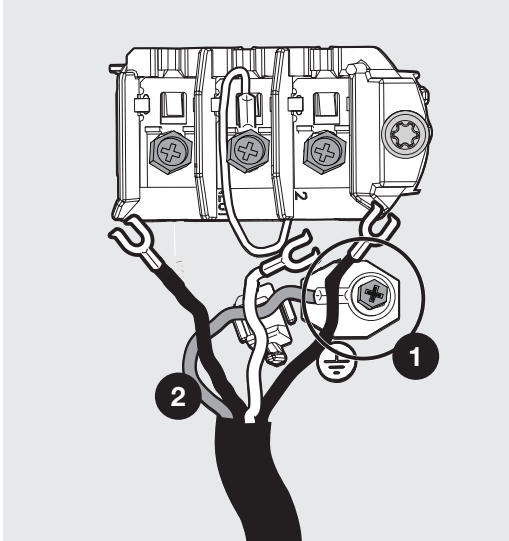
- 1 Terminal block access cover
- 2 Access cover screw
- 3 DO NOT REMOVE - screw next to this text must not be removed.

3. Disconnect the internal (WHITE) dryer harness wire from the (GREEN) ground screw next to the terminal block.



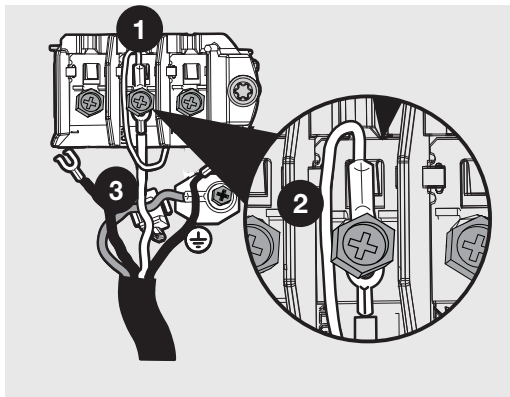
- 1 Internal ground (GREEN screw)
- 2 Internal dryer harness (WHITE wire)

- Using an UNPLUGGED, UL-approved, 30 amp. power cord, NEMA 14-30 type ST or SRDT, attach the ground (GREEN) power cord wire to the cabinet with the ground (GREEN) screw. Tighten the screw securely.



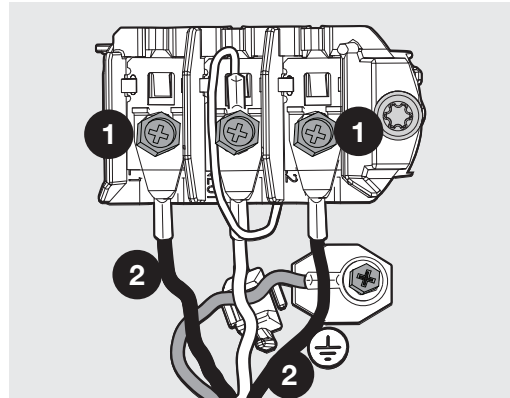
- 1 Ground GREEN screw
- 2 GREEN ground wire

- Move the internal (WHITE) dryer harness wire to the terminal block and attach it along with the neutral (WHITE) power cord wire conductor to the center, SILVER colored terminal on the terminal block. Tighten the screw securely.



- 1 Neutral silver terminal
- 2 Internal WHITE harness wire
- 3 WHITE neutral wire

- Attach the RED and BLACK power cord conductors to the outer, BRASS colored terminals on the terminal block. Tighten both screws securely.



- 1 Brass Terminal
- 2 BLACK or RED power wire

- Reinstall the terminal block access cover.



WARNING

ELECTRICAL SHOCK HAZARD

Do not make a sharp bend or crimp wiring/conductor at connections.



WARNING

ELECTRICAL SHOCK HAZARD

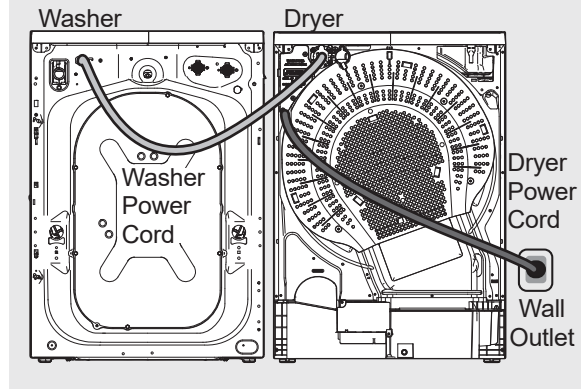
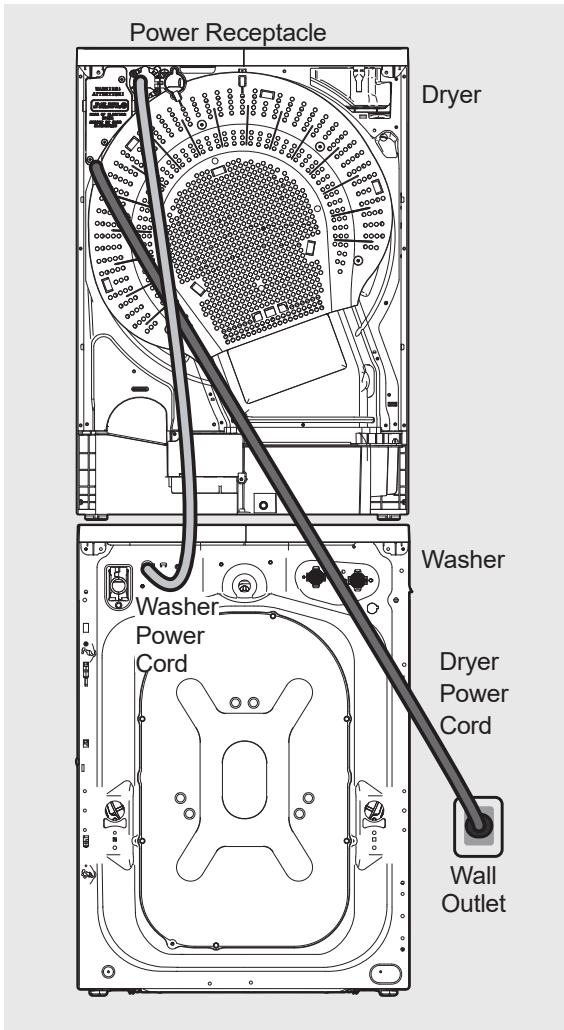
Do not operate dryer without terminal cover in place. A correctly installed terminal block cover also acts a qualified strain relief for the power cord.

12 Installation Instructions



NOTE

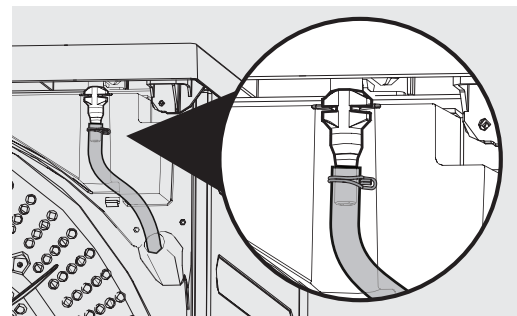
If you have an Electrolux compact dryer model number ELFE4222AW or ELFE422CAW, you may choose to power your Electrolux compact washer through it as shown. See illustrations.



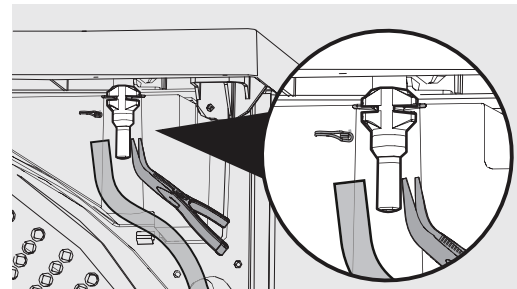
Direct Drain Kit (on some models)

If your model included a direct drain kit, you may follow the instructions below to install it on your dryer for convenient drainage of your dryer's condensed water.

1. Locate the red tubing and plastic fitting on the back of the dryer.



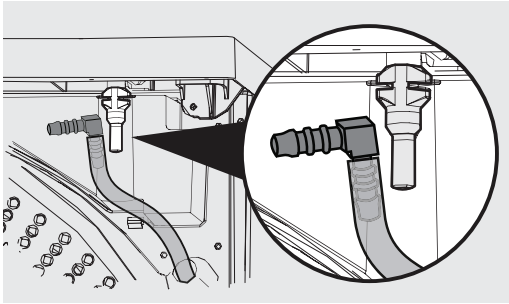
2. With a pair of pliers, release the hose clamp and remove the tubing from the plastic fitting.



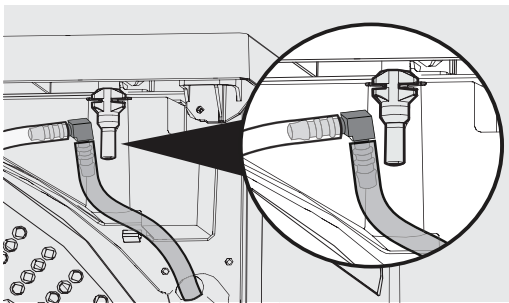
WARNING

NOT A GENERAL USE RECEPTACLE! Only for use with compatible Electrolux washer models listed in this Use & Care Guide. Keep the outlet closed if a compatible Electrolux washer plug is not connected to the dryer.

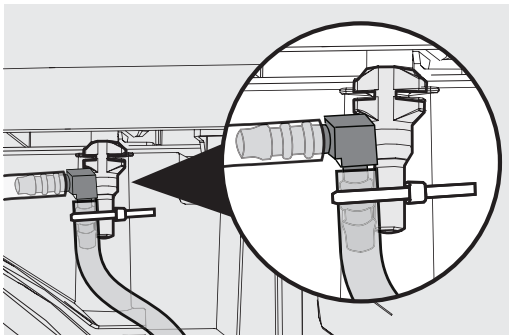
- Retrieve the 90 degree plastic elbow from the direct drain installation kit that came with your dryer and install it onto the red tubing.



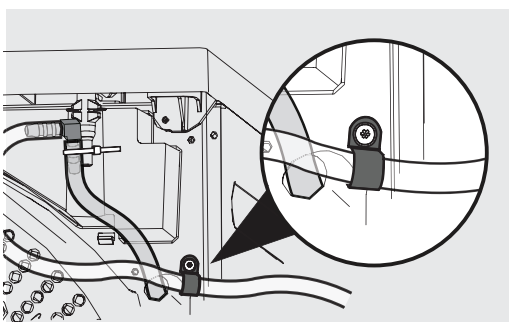
- Retrieve the clear tubing that came in the kit and install it also onto the elbow.



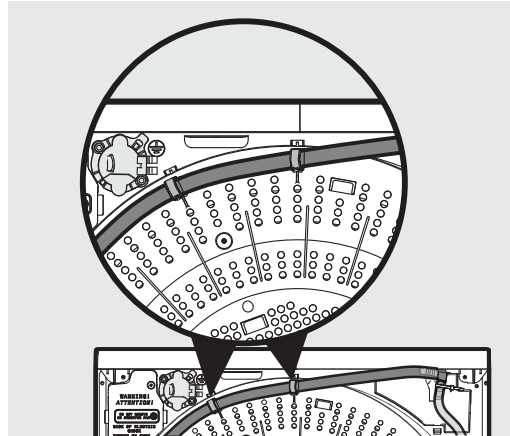
- With the plastic cable tie that came with the kit, secure the elbow and tubes to the plastic fitting.



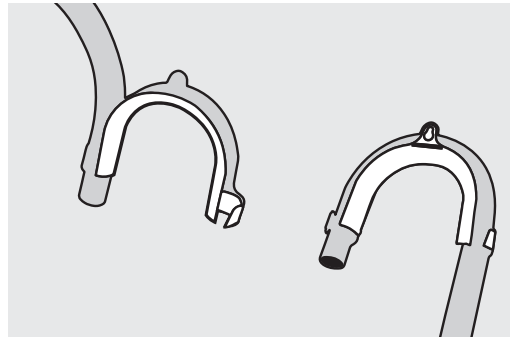
- To route the drain tube to the left of the dryer, secure the tube with the "P" clamp from the kit to the back of the dryer with the cabinet screw shown below.



- To route the drain tube to the right of the dryer, route the tube across the back of the dryer and snap it into the "C" clips shown as below.



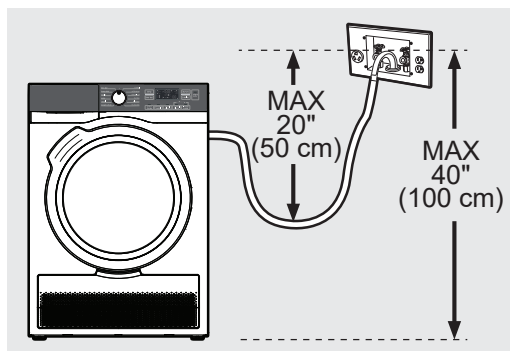
- Install the hose hanger from the kit onto the end of the hose and insert in drain.



➔ IMPORTANT

Follow these guidelines for proper drain hose installation:

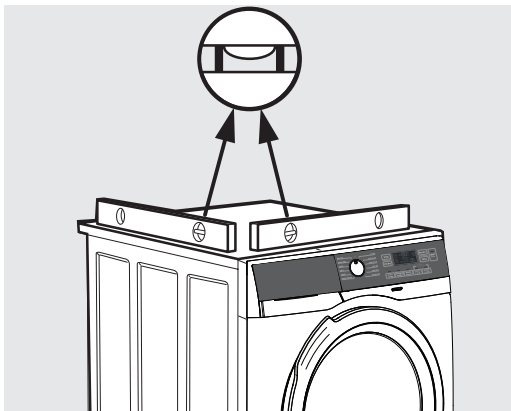
- The distance from the bottom of the drain tube sag to the top of highest part of drain tube should be no more than 20" (50 cm).
- Drain tube may need to be shortened with scissors if sag is greater than allowed.
- The drain height location should be no more than 40" (100 cm) above the bottom of the dryer feet.



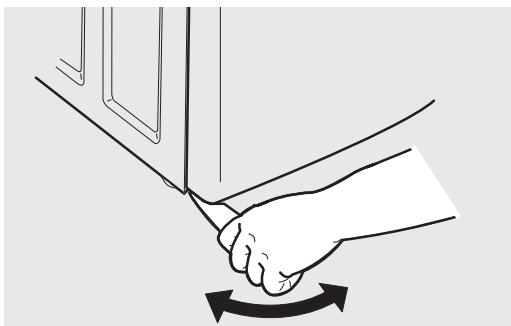
14 Installation Instructions

General Installation

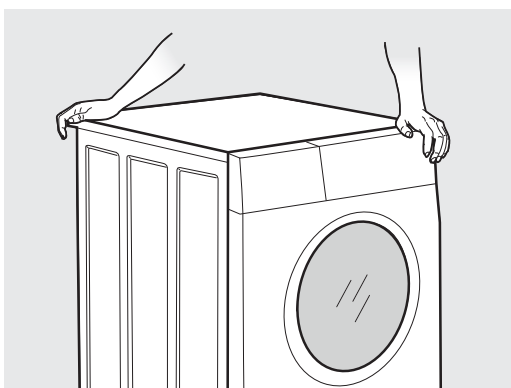
1. Use a carpenter's level to level your dryer front-to-back and side-to-side.



2. Use adjustable pliers or universal appliance wrench (See Accessories) to adjust the leveling legs so the dryer is level front-to-rear and side-to-side, and stable corner-to-corner.



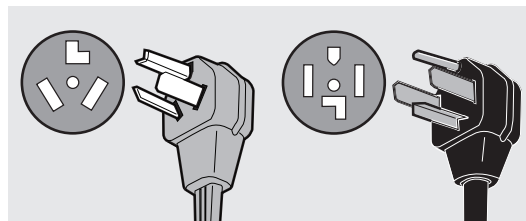
3. Press down on alternate corners and sides and feel for the slightest movement. Adjust the appropriate leg(s) so the dryer sits solidly on the floor on ALL four legs. Keep the leveling leg extension at a minimum for best performance of the dryer.



IMPORTANT

Be sure the power is off at a circuit breaker/fuse box before plugging the power cord into an outlet.

4. Plug the power cord into a grounded outlet.

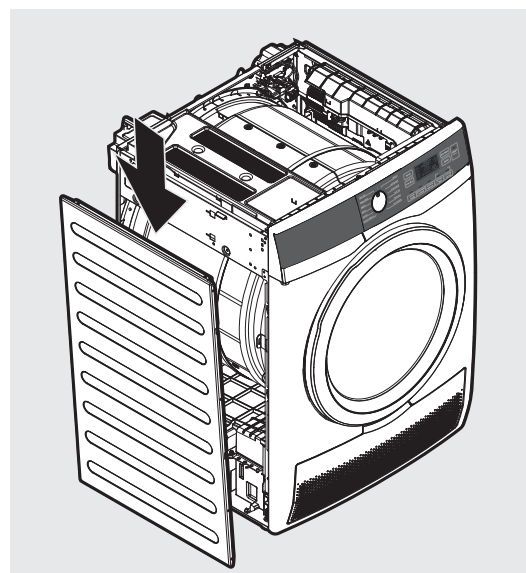


5. Turn on the power at the circuit breaker/fuse box.
6. Read the Use & Care Guide provided with the dryer. It contains valuable and helpful information that will save you time and money.
7. If you have any questions during initial operation, please review the "Avoid Service Checklist" in your Use & Care Guide before calling for service.
8. Place these instructions in a location near the dryer for future reference.

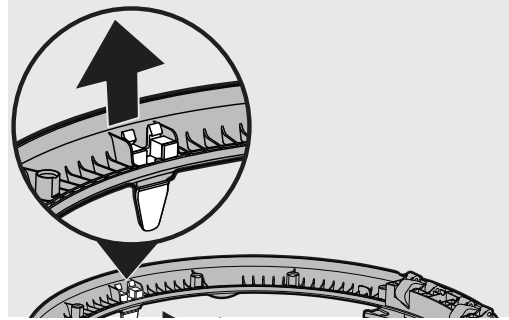
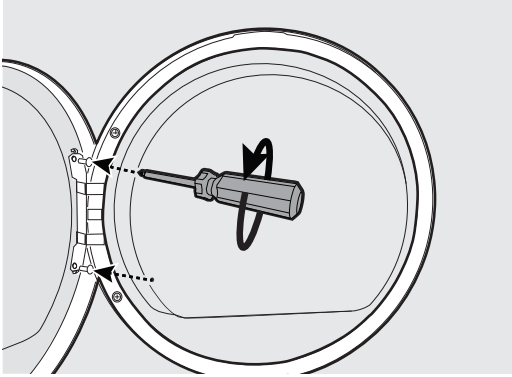


NOTE

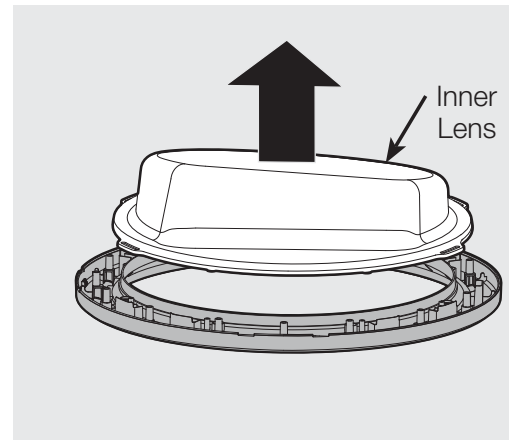
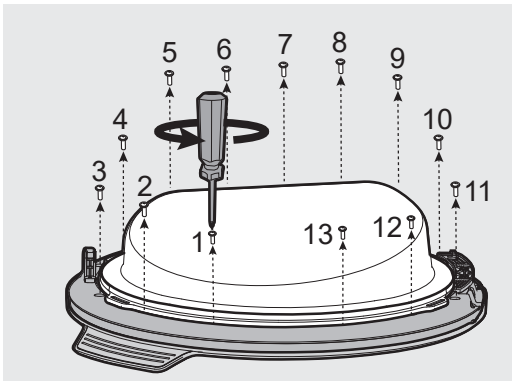
A wiring diagram is located next to the water container behind the left cabinet panel.



1. Locate a flat work surface, such as the top of the dryer or the floor near the dryer, and protect it with a soft cloth or towel.
2. Open the dryer door and remove the two hinge screws. Remove lower screw first, then upper screw.
6. Release the door switch striker by pulling on the two snap hooks located on the rear side of the inner door ring. Install the door switch striker on the opposite location (180 degrees from its original position (180 degrees from its original position in the inner door ring)). Set the inner door ring aside.

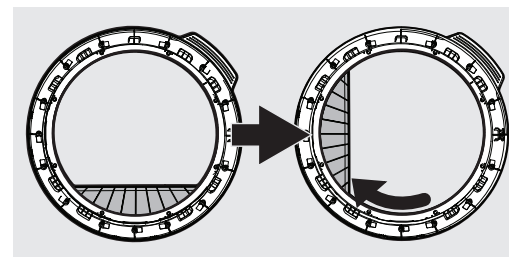
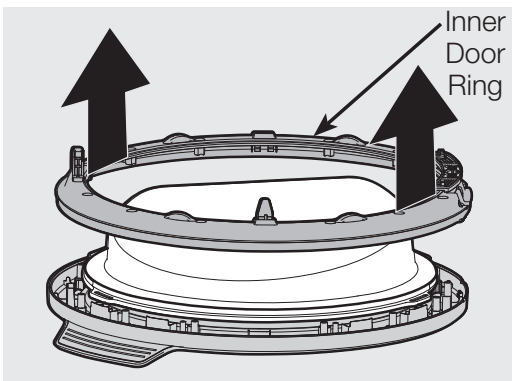


3. Gently place dryer door face down on flat, covered work surface.
4. Locate the 13 screws on the inner door ring. Remove and save these 13 screws.
7. Lift the inner lens and set it aside.



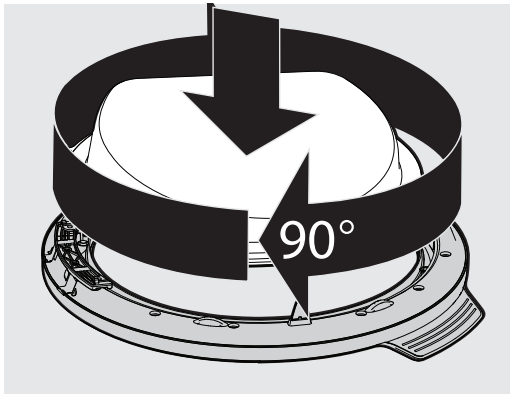
5. Separate inner door ring from the rest of the door.

8. Lift and rotate the semi-circular trim piece clockwise 90° from its original position and place onto the available plastic alignment features.

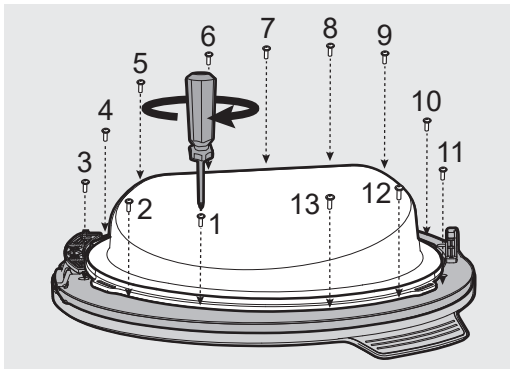


16 Reversing Door

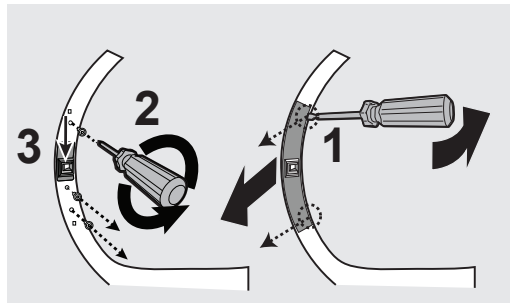
9. Rotate inner lens clockwise 90° from its original position and place back into door assembly.



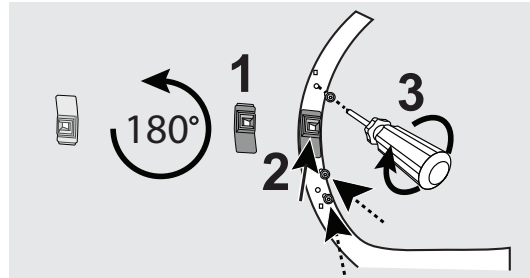
10. Rotate the inner door ring counterclockwise 90° from its original position and reattach with 13 screws removed earlier.



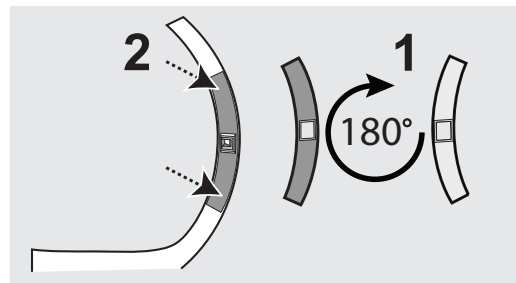
11. Gently pry the plastic latch cover from the front panel and set it aside. Remove the 3 screws securing the door latch and release the latch.



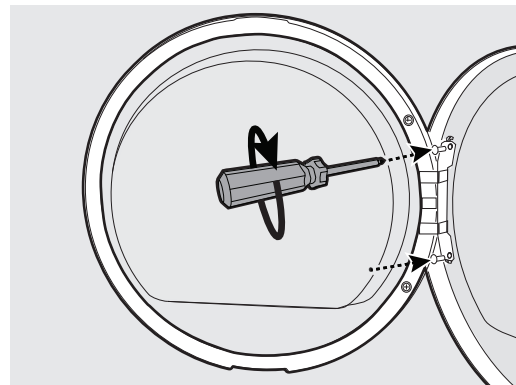
12. Rotate the latch 180° and reinstall it in the opposite location with the 3 screws removed in previous step.



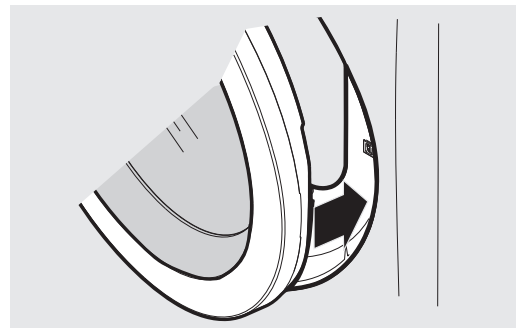
13. Rotate the plastic latch cover 180° and snap it in place around the door latch.



14. While supporting the door, install the 2 hinge mounting screws removed in first step. Attach the upper screw first and then the lower one.



15. Close the door and test operation of hinge, strike and latch.



DIRECT DRAIN KIT

P/N DK11

Depending on the model you purchased, a direct draining kit for your condensing dryer's water collection system may have been included in the initial purchase of your dryer. If your model did not include a direct draining kit, you may order one.

DRYER STACKING KIT

P/N STACKIT24

Depending on the model you purchased, a kit for stacking this dryer on top of matching washer may have been included in the initial purchase of your dryer. If your model did not include a stacking kit or you desire another stacking kit, you may order one.

UNIVERSAL APPLIANCE WRENCH

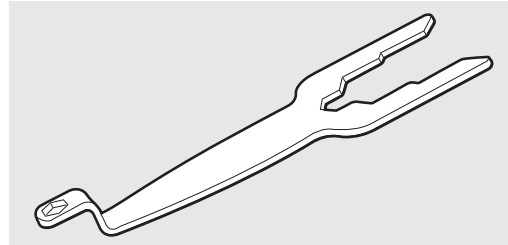
P/N 137019200

A UNIVERSAL APPLIANCE WRENCH is available to aid in dryer/washer feet adjustment.



CAUTION

Failure to use accessories manufactured by (or approved by) the manufacturer could result in personal injury, property damage or damage to the dryer.



Universal Appliance Wrench

Replacement Parts:

If replacement parts are needed for your washer, contact the source where you purchased your washer or refer to your Use & Care Guide for more information.

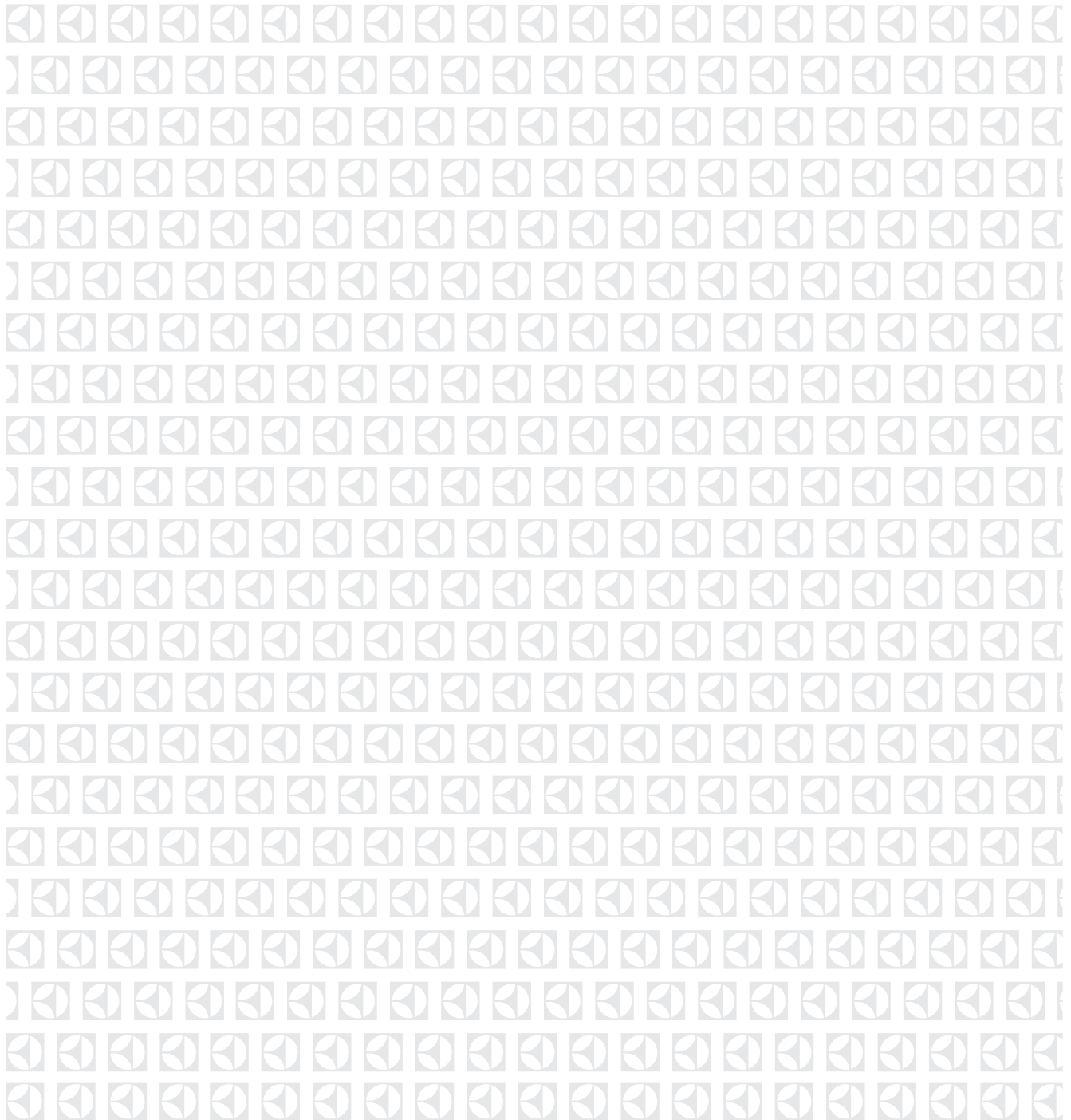


WARNING

ELECTRICAL SHOCK HAZARD

Label all wires prior to disconnection when servicing controls. Wiring errors can cause improper and dangerous operation. Verify proper operation after servicing.

electrolux.com/shop



electrolux.com/shop

