



# REFRIGERATORS

**SAFETY INFORMATION.** 3

**USING THE APPLIANCE**  
 Control Settings . . . . . 5  
 Refrigerator Features . . . . . 5

**CARE AND CLEANING** .. 6

**INSTALLATION INSTRUCTIONS.**..... 8

**TROUBLESHOOTING TIPS** .....13

**LIMITED WARRANTY** ...15

**CONSUMER SUPPORT** ..16

**OWNER'S MANUAL & INSTALLATION INSTRUCTIONS**

GCV06 Models

**ENGLISH/FRANÇAIS/ESPAÑOL**

Write the model and serial numbers here:

Model # \_\_\_\_\_

Serial # \_\_\_\_\_

Find these numbers on a label inside the refrigerator on the side wall.

## **THANK YOU FOR MAKING GE APPLIANCES A PART OF YOUR HOME.**

---

Whether you grew up with GE Appliances, or this is your first, we're happy to have you in the family.

We take pride in the craftsmanship, innovation and design that goes into every GE Appliances product, and we think you will too. Among other things, registration of your appliance ensures that we can deliver important product information and warranty details when you need them.

Register your GE appliance now online. Helpful websites and phone numbers are available in the Consumer Support section of this Owner's Manual. You may also mail in the pre-printed registration card included in the packing material.



**GE APPLIANCES**

# IMPORTANT SAFETY INFORMATION

## READ ALL INSTRUCTIONS BEFORE USING

**▲ WARNING** To reduce the risk of fire, explosion, electric shock, or injury when using your refrigerator, follow these basic safety precautions:

- This refrigerator must be properly installed and located in accordance with the Installation Instructions before it is used.
- Disconnect the refrigerator from main power supply at rear of unit, remove refrigerator circuit fuse, or turn off circuit breaker before making repairs or cleaning.  
**NOTE:** Power to the refrigerator cannot be disconnected by any setting on the control panel.  
**NOTE:** Repairs must be performed by a qualified Service Professional.
- Replace all parts and panels before operating.
- Do not store or use gasoline or other flammable vapors and liquids in the vicinity of this or any other appliance.
- Do not store explosive substances such as aerosol cans with a flammable propellant in this appliance.
- Do not use an extension cord. Use only continuous supply wires connected directly between the DC voltage source or distribution panel and the refrigerator.
- To prevent suffocation and entrapment hazards to children, remove the fresh food and freezer doors from any refrigerator before disposing of it or discontinuing its use.
- To avoid serious injury or death, children should not stand on, or play in or with the appliance.
- Children and persons with reduced physical, sensory or mental capabilities or lack of experience and knowledge can use this appliance only if they are supervised or have been given instructions on safe use and understand the hazards involved.
- This appliance is intended to be used in household and similar applications such as: staff kitchen areas in shops, offices and other working environments; farm houses; by clients in hotels, motels, bed & breakfast and other residential environments; catering and similar non-retail applications.
- Do not apply harsh cleaners to the refrigerator. Certain cleaners will damage plastic which may cause parts such as the door or door handles to detach unexpectedly. See the Care and Cleaning section for detailed instructions.

**▲ CAUTION** To reduce the risk of injury when using your refrigerator, follow these basic safety precautions.

- Do not clean glass shelves or covers with warm water when they are cold. Glass shelves and covers may break if exposed to sudden temperature changes or impact, such as bumping or dropping. Tempered glass is designed to shatter into many small pieces if it breaks.
- Keep fingers out of the “pinch point” areas; clearances between the doors and between the doors and cabinet are necessarily small. Be careful closing doors when children are in the area.
- Do not touch the cold surfaces in the freezer compartment when hands are damp or wet, skin may stick to these extremely cold surfaces.
- Do not refreeze frozen foods which have thawed completely.

## READ AND SAVE THESE INSTRUCTIONS

# IMPORTANT SAFETY INFORMATION

## READ ALL INSTRUCTIONS BEFORE USING

### INSTALLATION

#### **▲ WARNING**



#### **EXPLOSION HAZARD**

Keep flammable materials and vapors, such as gasoline, away from refrigerator. Failure to do so can result in fire, explosion, or death.

### CONNECTING ELECTRICITY

#### **▲ WARNING**



#### **ELECTRICAL SHOCK HAZARD**

Failure to follow these instructions can result in death, fire, or electrical shock.

**For personal safety, this appliance must be properly grounded.**

A 12 volt DC, 15-20-amp fused, grounded electrical supply is required. This provides the best performance and also prevents overloading RV wiring circuits which could cause a fire hazard from overheated wires.

Do not connect the refrigerator to AC voltage circuits, or to AC outlet of inverter.

The refrigerator should always be connected to its own individual electrical branch leading directly to the main DC voltage source or distribution panel.

Immediately discontinue use if the main power supply line has been damaged. If the supply line is damaged, it must be repaired by a qualified service professional.

When removing the refrigerator away from the wall, be careful not to roll over or damage the main power supply line.

### PROPER DISPOSAL OF YOUR OLD REFRIGERATOR

#### **▲ WARNING**

#### **SUFFOCATION AND ENTRAPMENT HAZARD**

Failure to follow these disposal instructions can result in death or serious injury

**IMPORTANT:** Child entrapment and suffocation are not problems of the past. Junked or abandoned refrigerators or freezers are still dangerous even if they will sit for "just a few days." If you are getting rid of your old refrigerator or freezer, please follow the instructions below to help prevent accidents.

#### **Before You Throw Away Your Old Appliance**

- Take off the fresh food and freezer doors.
- Leave the shelves in place so that children may not easily climb inside.

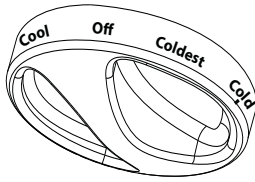
#### **Refrigerant and Foam Disposal:**

Dispose of refrigerator in accordance with Federal and Local Regulations. Flammable insulation material used requires special disposal procedures. Contact your local authorities for the environmentally safe disposal of your refrigerator.

## READ AND SAVE THESE INSTRUCTIONS

# Controls

---



## Control Settings

---

The temperature control maintains the temperature in the refrigerator. Setting the control at **COOL** is the warmest setting. Setting the control at **COLDEST** is the coldest setting. Set the control at **COLD**.

Allow 24 hours for the refrigerator to reach the desired temperature. If you want a colder or warmer temperature, move the dial one setting at a time. Moving the control to **OFF** stops cooling but does not turn off the power to the refrigerator. Setting the control too high may cause freezing in the refrigerator depending on the room temperature.

After changing the control, allow 24 hours for the refrigerator to reach the temperature you have set.

## Features

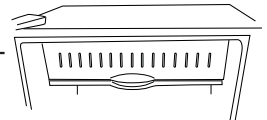
---

### Shelves

To remove a shelf, lift up the back slightly and pull forward. All models have multi-position shelves that can be moved to different levels.

### Ice Tray Compartment

This compartment is designed for production of ice cubes and short-term storage (a few days at most) of some commercially-frozen foods when in contact with the evaporator (cold surface in compartment.)



### Door Shelves

Shelves on the door provide convenient storage for frequently used items. this model has doors that are deep enough to store large bottles.

# Care and Cleaning

## Directions for Cleaning Outside Surfaces, Door Handles, and Trim

DO USE	DO NOT USE
Soft, clean cloth or sponge	Abrasive cloths, scrubbing sponges, scouring or steel wool pads
Mild detergent mixed with warm water Approved stainless steel cleaners; Visit the Café Appliances parts store for approved stainless steel cleaners: <b>geappliancesparts.com</b> or call 877.959.8688.  Cleaners with oxalic acid such as Bar Keepers Friend Soft Cleanser™ can be used to remove surface rust, tarnish and small blemishes.	Abrasive powders or sprays Window Sprays or Ammonia Citrus or plant oil-based cleaners Acidic or vinegar-based cleaners Oven cleaners Cleaners containing acetone (propanone) Any cleaner with WARNING about plastic contact

**NOTE: DO NOT** allow stainless steel cleaner to come in contact with any plastic parts such as trim pieces, handle hardware and liners. If unintentional contact of cleaners with plastic parts does occur, clean plastic part with a sponge and mild detergent mixed with warm water.

## Cleaning the Inside

**To help prevent odors**, leave an open box of baking soda in the fresh food and freezer compartments.

### **Remove power from refrigerator before cleaning.**

Either disconnect main DC power supply wires at rear of unit, remove refrigerator circuit fuse, or turn off circuit breaker in DC voltage distribution panel. If this is not practical, wring excess moisture out of sponge or cloth when cleaning around switches, lights or controls.

**Use warm water and baking soda solution**—about a tablespoon (15 ml) of baking soda to a quart (1 liter) of water. This both cleans and neutralizes odors. Rinse and wipe dry.

**Other parts of the refrigerator**—including door gaskets, fruit and vegetable drawers, and all plastic parts—can be cleaned the same way.

After cleaning the door gaskets, apply a thin layer of petroleum jelly to the door gaskets at the hinge side. This helps keep the gaskets from sticking and bending out of shape. Do not use cleansing powders or other abrasive cleaners.

**▲ CAUTION** Do not clean glass shelves or covers with warm water when they are cold. Glass shelves and covers may break if exposed to sudden temperature changes or impact such as bumping or dropping. Tempered glass is designed to shatter into many small pieces if it breaks.

Do not wash any plastic refrigerator parts in the dishwasher.

# Care and Cleaning

---

## Replacing LED Lighting

### **▲WARNING**

Do not change the LED light by yourself. Please contact the after-sales service for replacement. Failure to heed this warning could result in injury or death from electric shock.

---

## Defrosting

Defrost whenever frost on the wall of the ice tray compartment becomes 1/4" thick. **Never use a sharp or metallic instrument to remove frost as it may damage the cooling coils.** (A punctured cooling coil will cause serious problems and void the warranty.) We recommend using a plastic scraper. Do not use any electrical device in defrosting your refrigerator.

### To defrost:

- Remove foods and ice trays from the ice tray compartment.
- Set the temperature control dial to **OFF**.

Defrosting usually takes a few hours. To defrost faster, keep the door open. Also, pouring warm (not hot) water on the frosted part may speed defrosting. **Do not use boiling water**—it may damage plastic parts.

### After defrosting:

- Empty water from the drip tray or from the pan placed beneath the ice tray compartment. Wash the tray or pan with warm water.
- Wipe the ice tray compartment with a damp cloth.
- Turn the temperature control to the desired setting and return food and ice trays to the refrigerator.

**NOTE:** If ice buildup is very thick, it may keep the ice tray compartment door from opening or closing completely. Don't try to force it open; after defrosting, the door will open and close easily.

---

## Preparing for Storage

For long storage or absences when refrigerator will not be used, remove food and either disconnect main DC power supply wires at rear of unit, or remove refrigerator circuit fuse or turn off circuit breaker in DC voltage distribution panel. Move the control to the OFF position, and clean the interior with a baking soda solution of one tablespoon (15ml) of baking soda to one quart (1 liter) of water. Leave the door open.

---

## Preparing to Move

Remove food, remove refrigerator circuit fuse or turn off circuit breaker in DC voltage distribution panel, and disconnect main DC power supply wires at rear of unit. Secure all loose items such as shelves and drawers by taping them securely in place to prevent damage.

Be sure the refrigerator stays in an upright position during moving.

# Installation Instructions

---

Read these instructions completely and carefully.

## Refrigerator Location

---

- Do not install the refrigerator in a location exposed to water (rain, etc.) or direct sunlight.
- Install it on a floor strong enough to support it fully loaded.
- This refrigerator is designed to function properly in room temperatures ranging from 55°F (12.7°C) to 110°F (43°C). Operating the refrigerator in room temperatures outside this range will cause inadequate cooling.

## Clearances

---

Allow the following clearances for ease of installation and proper air circulation.

**Sides** 0"(0 mm)\*

**Top** 0"(0 mm)

**Back** 0"(0 mm)

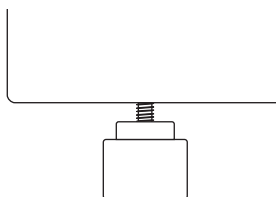
\*0.5" (13 mm) for hinge side clearance

---

## Leveling Legs

**Adjustable legs** at the front corners of the refrigerator should be set so the refrigerator is firmly positioned on the floor and the front is raised just enough that the door closes easily when opened about halfway.

**To adjust the leveling legs**, turn the legs **counterclockwise to raise** the refrigerator, **clockwise to lower** it.



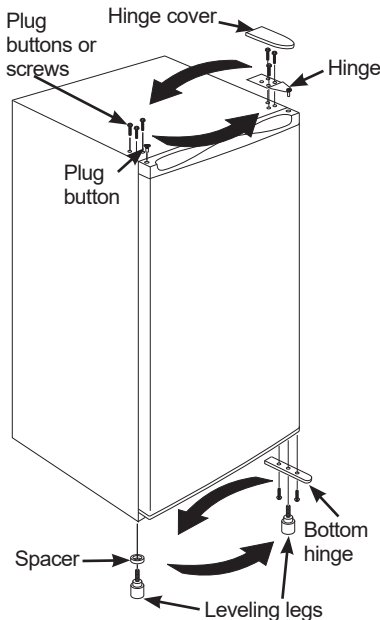
Turn counterclockwise to raise, clockwise to lower.



# Installation Instructions

## Door Reversal

1. Remove the small plug button on the left side of the door top cap.
2. Remove the 2 plug buttons or screws on the left side on top of the cabinet.
3. Remove the screw from the hinge cover, then remove the hinge cover by lifting it up by the front edge.
4. Remove the 2 screws from the top hinge.
5. Lift the door up and off the bottom hinge (right side).
6. Tilt the refrigerator cabinet back to remove the right leveling leg.
7. Remove the screws on the bottom hinge (right side) and remove the leveling legs, as well as plastic door stop. Move the bottom hinge and door stop to the left side and secure it with screws. Re-install the leveling legs
- IMPORTANT:** The left leg has a spacer or spacer feature that must be moved to the right side leveling leg when the door swing is reversed.
8. Screw the right leveling leg, with the spacer in place, back in place on the right side.
9. Position the door on the left bottom hinge. With the magnetic gasket holding the door in place, secure the top hinge with screws.
10. **Make sure the door is aligned with the refrigerator cabinet before continuing.**
11. Replace the hinge cover on top of the hinge.
12. Put the plug button in the hole on the right side of the door cap.
13. Put the 3 (2 on some models) plug buttons on the right side on top of the cabinet.



# Installation Instructions

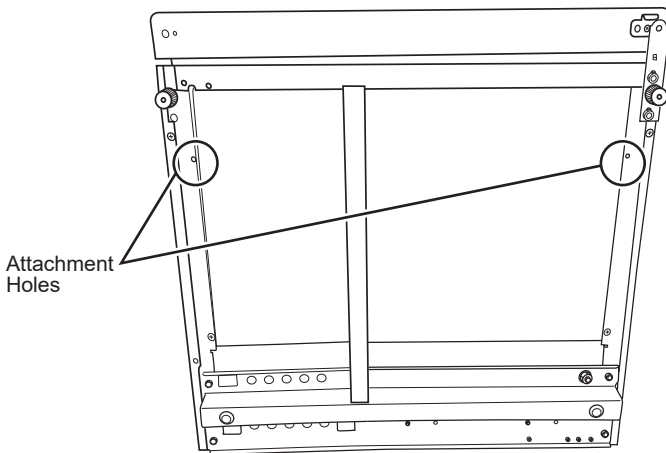
## Floor Brackets (Not provided)

### **⚠ WARNING** EXCESSIVE WEIGHT HAZARD

Use two or more people to move and position the refrigerator for floor bracket installation. Failure to do so can result in back or other injury.

Some RV appliance installations use floor or wall brackets to secure the appliance to the adjacent cabinetry in order to prevent movement during RV transportation. This refrigerator has provisions on the underside bottom surface for attaching floor brackets (not provided).

- To install floor brackets to the refrigerator, place the refrigerator on its back and locate the attachment holes provided, as shown, on the underside of the refrigerator.



- Attached one bracket on each side at these locations using sheet metal screws (not provided). It is recommended that #8-16 x 1/2" sheet metal screws be used.
- Return refrigerator to the upright position. Wait at least 4 hours after returning the refrigerator to the upright position before completing the electrical connections.

# Installation Instructions

## Electrical Connection

**⚠ WARNING**



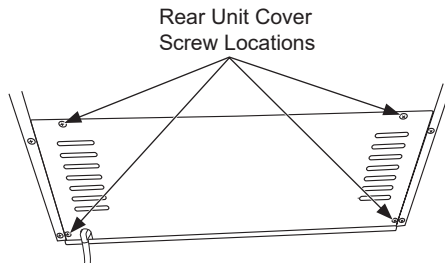
**ELECTRICAL SHOCK HAZARD**

Failure to follow these instructions can result in death, fire, or electric shock.

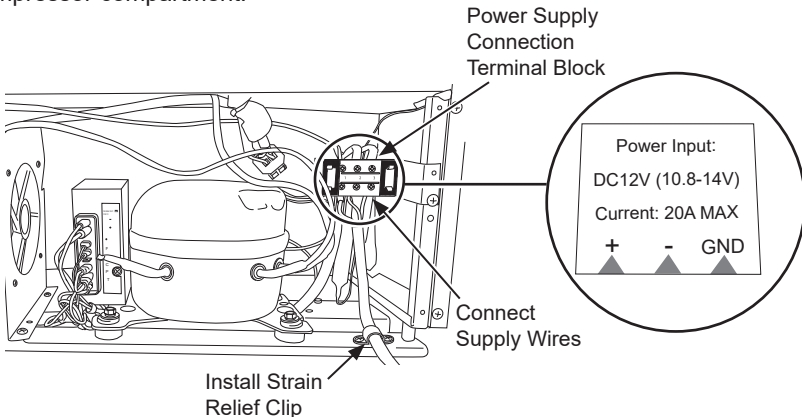
- Long lengths for DC voltage supply lines combined with small gauge wiring can lead to excessive voltage drop at the refrigerator connection which decreases the cooling performance of the refrigerator, and cause the wires to overheat possibly causing a fire. The below supply wire size is recommended.

Supply Wire Size	Maximum Supply Line Length
12 AWG	20 FT
10 AWG	35 FT
8 AWG	50 FT

- Before beginning the installation, disconnect power by removing refrigerator circuit fuse or turning off circuit breaker in the DC voltage distribution panel.
- Turn the control knob to the OFF position.
- Locate and remove the four screws of the lower rear unit cover as indicated using a Phillips screwdriver.



- Locate the power supply connection terminal block on the right side of the compressor compartment.



# Installation Instructions

---

## Electrical Connection (Cont.)

- Unsnap the clear plastic cover from the terminal block to access terminal screws. Loosen the supply side terminal screws on the lower side of the block with a Phillips screwdriver. Attach supply wires to the appropriate polarity and ground terminals as indicated on label: connect positive wire to terminal marked +, negative wire to terminal marked -, and ground to terminal marked GND. Retighten terminal block screws and replace clear plastic cover.
- A wiring strain relief clip must be installed for the supply wires. From the selection of wire clips provided in the Owner's Manual bag, select the appropriate size clip needed to fit the supply wires used.



- Use the screw also provided in the Owner's Manual bag to mount the strain relief clip at the location shown on the bottom rail of the compressor compartment. The wires must be completely snug after clip is installed with no movement or slippage of the wires within the clip when the wires are tugged.
- Replace the rear unit cover, routing the supply wires through the slot provided on the lower right of the cover.
- Move unit into its final position taking care not to roll over or damage the main power supply line.
- After completing installation, energize the appliance by replacing refrigerator circuit fuse or turning on circuit breaker in the DC voltage distribution panel. Return the control knob to the COLD position.

# Before you call for service...

## Troubleshooting Tips

Save time and money! Review the chart below first and you may not need to call for service.

Problem	Possible Causes	What To Do
<b>Refrigerator does not operate</b>	Control in <b>OFF</b> position.	Move the control to a temperature setting.
	The fuse is blown/circuit breaker is tripped.	Replace fuse or reset the breaker.
<b>Vibration or rattling (slight vibration is normal)</b>	Front leveling legs need adjusting.	See <b>Leveling Legs</b> .
<b>Motor operates for long periods or cycles</b>	Normal when refrigerator is first turned on.	Wait 24 hours for the refrigerator to completely cool down.
	Often occurs when large amounts of food are placed in refrigerator.	This is normal.
	Door left open.	Check to see if package is holding door open.
	Hot weather or frequent door openings.	This is normal.
	Temperature control set at the coldest setting.	See <b>About the control</b> .
<b>Refrigerator too warm</b>	Temperature control not set cold enough.	See About the control.
	Warm weather or frequent door openings.	Set the temperature control one step colder. See About the control.
	Door left open.	Check to see if package is holding door open.
<b>Refrigerator has odor</b>	Foods transmitting odor to refrigerator.	Foods with strong odors should be tightly wrapped. Keep an open box of baking soda in the refrigerator; replace every three months.
	Interior needs cleaning.	See <b>Care and cleaning</b> .
	Defrost water pan needs cleaning.	See <b>Care and cleaning</b> .
<b>Moisture forms on outside of refrigerator</b>	Not unusual during periods of high humidity.	Wipe surface dry.
<b>Moisture collects inside (in humid weather, air carries moisture into refrigerator when door is opened)</b>	Too frequent or too long door openings	

# Notes

---

# Refrigerator Limited Warranty

**For US Customers**, all limited warranty service provided by our Factory Service Centers, or an authorized Customer Care® technician. To schedule service, on-line, 24 hours a day, visit us at **GEAppliances.com**, or call GEAppliances at 800.GE.CARES (800.432.2737). Please have serial number and model number available when calling for service. **In Canada**, call 800.561.3344.

Staple your receipt here. Proof of the original purchase date is needed to obtain service under the warranty.

<b>For the Period of:</b>	<b>GE Appliances Will Replace</b>
---------------------------	-----------------------------------

<b>One Year</b> From the date of the original purchase	<b>Any part</b> of the refrigerator which fails due to a defect in materials or workmanship. During the <b>limited one-year warranty</b> , GE Appliances will also provide, <b>free of charge</b> , all labor and related service to replace the defective part.
-----------------------------------------------------------	------------------------------------------------------------------------------------------------------------------------------------------------------------------------------------------------------------------------------------------------------------------

## What GE Appliances Will Not Cover:

- Service trips to your home to teach you how to use the product.
- Improper installation, delivery or maintenance.
- Failure of the product if it is abused, misused, or used for other than the intended purpose or used commercially.
- Loss of food due to spoilage.
- Replacement of house fuses or resetting of circuit breakers.
- Damage caused after delivery.
- Replacement of the water filter cartridge, if included, due to water pressure that is outside the specified operating range or due to excessive sediment in the water supply.
- Replacement of the light bulbs, if included, or water filter cartridge, if included, other than as noted above.
- Damage to the product caused by accident, fire, floods or acts of God.
- Incidental or consequential damage caused by possible defects with this appliance.
- Product not accessible to provide required service.
- Damage to finish, such as surface rust, tarnish, or small blemishes not reported within 48 hours of delivery.
- Products which are not defective, broken, or which are working as described in the owner's manual.

**EXCLUSION OF IMPLIED WARRANTIES—Your sole and exclusive remedy is product repair as provided in this Limited Warranty. Any implied warranties, including the implied warranties of merchantability or fitness for a particular purpose, are limited to one year or the shortest period allowed by law.**

**For US Customers:** This limited warranty is extended to the original purchaser and any succeeding owner for products purchased for home use within the USA. If the product is located in an area where service by a GE Appliances Authorized Servicer is not available, you may be responsible for a trip charge or you may be required to bring the product to an Authorized GE Appliances Service location for service. In Alaska, the limited warranty excludes the cost of shipping or service calls to your home.

Some states do not allow the exclusion or limitation of incidental or consequential damages. This limited warranty gives you specific legal rights, and you may also have other rights which vary from state to state. To know what your legal rights are, consult your local or state consumer affairs office or your state's Attorney General.

**Warrantor US: GE Appliances, a Haier company**  
Louisville, KY 40225

**For Customers in Canada:** This limited warranty is extended to the original purchaser and any succeeding owner for products purchased in Canada for home use within Canada. In-home warrant service will be provided in areas where it is available and deemed reasonable by Mabe to provide.

**Warrantor Canada: MC Commercial, Burlington, Ontario, L7R 5B6**

# Consumer Support

---

## GE Appliances Website

Have a question or need assistance with your appliance? Try the GE Appliances Website 24 hours a day, any day of the year! You can also shop for more great GE Appliances products and take advantage of all our on-line support services designed for your convenience. In the US: [GEAppliances.com](http://GEAppliances.com) In Canada: [GEAppliances.ca](http://GEAppliances.ca)

---

## Register Your Appliance

Register your new appliance on-line at your convenience! Timely product registration will allow for enhanced communication and prompt service under the terms of your warranty, should the need arise. You may also mail in the pre-printed registration card included in the packing material.

In the US: [GEAppliances.com/register](http://GEAppliances.com/register)

In Canada: [Prodsupport.mabe.ca/crm/Products/ProductRegistration.aspx](http://Prodsupport.mabe.ca/crm/Products/ProductRegistration.aspx)

---

## Schedule Service

Expert GE Appliances repair service is only one step away from your door. Get on-line and schedule your service at your convenience any day of the year. In the US: [GEAppliances.com/service](http://GEAppliances.com/service) or call 800.432.2737 during normal business hours.

In Canada: [GEAppliances.ca/en/support/service-request](http://GEAppliances.ca/en/support/service-request) or call 800.561.3344

---

## Extended Warranties

Purchase a GE Appliances extended warranty and learn about special discounts that are available while your warranty is still in effect. You can purchase it on-line anytime. GE Appliances Services will still be there after your warranty expires. In the US: [GEAppliances.com/extended-warranty](http://GEAppliances.com/extended-warranty) or call 800.626.2224 during normal business hours.

In Canada: [GEAppliances.ca/en/support/purchase-extended-warranty](http://GEAppliances.ca/en/support/purchase-extended-warranty) or call 800.290.9029

---

## Remote Connectivity

For assistance with wireless network connectivity (for models with remote enable), visit our website at [GEAppliances.com/connect](http://GEAppliances.com/connect) or call 800.220.6899 in the US only.

---

## Parts and Accessories

Individuals qualified to service their own appliances can have parts or accessories sent directly to their homes (VISA, MasterCard and Discover cards are accepted). Order on-line today 24 hours every day.

In the US: [GEApplianceparts.com](http://GEApplianceparts.com) or by phone at 877.959.8688 during normal business hours.

**Instructions contained in this manual cover procedures to be performed by any user. Other servicing generally should be referred to qualified service personnel. Caution must be exercised, since improper servicing may cause unsafe operation.**

Customers in Canada should consult the yellow pages for the nearest Mabe service center, visit our website at [GEAppliances.ca/en/products/parts-filters-accessories](http://GEAppliances.ca/en/products/parts-filters-accessories) or call 800.661.1616.

---

## Contact Us

If you are not satisfied with the service you receive from GE Appliances, contact us on our Website with all the details including your phone number, or write to:

In the US: General Manager, Customer Relations | GE Appliances, Appliance Park | Louisville, KY 40225

[GEAppliances.com/contact](http://GEAppliances.com/contact)

In Canada: Director, Consumer Relations, Mabe Canada Inc. | Suite 310, 1 Factory Lane | Moncton, N.B. E1C 9M3  
[GEAppliances.ca/en/contact-us](http://GEAppliances.ca/en/contact-us)

---