

GAS WALL OVEN INSTALLATION INSTRUCTIONS

INSTALLATION AND SERVICE MUST BE PERFORMED BY A QUALIFIED INSTALLER.
IMPORTANT: SAVE FOR LOCAL ELECTRICAL INSPECTOR'S USE.
READ AND SAVE THESE INSTRUCTIONS FOR FUTURE REFERENCE.

! WARNING If the information in this manual is not followed exactly, a fire or explosion may result causing property damage, personal injury or death.

FOR YOUR SAFETY:

- Do not store or use gasoline or other flammable vapors and liquids in the vicinity of this or any other appliance.
- **WHAT TO DO IF YOU SMELL GAS:**
 - Do not try to light any appliance.
 - Do not touch any electrical switch; do not use any phone in your building.
 - Immediately call your gas supplier from a neighbor's phone. Follow the gas supplier's instructions.
 - If you cannot reach your gas supplier, call the fire department.
- Installation and service must be performed by a qualified installer, service agency or the gas supplier.

Additional Safeguards

- Do not install wall oven beneath the work counter.
- The oven vent should not be located under 36" from the floor.

Allow at least 21-1/4" front clearance for complete door opening.

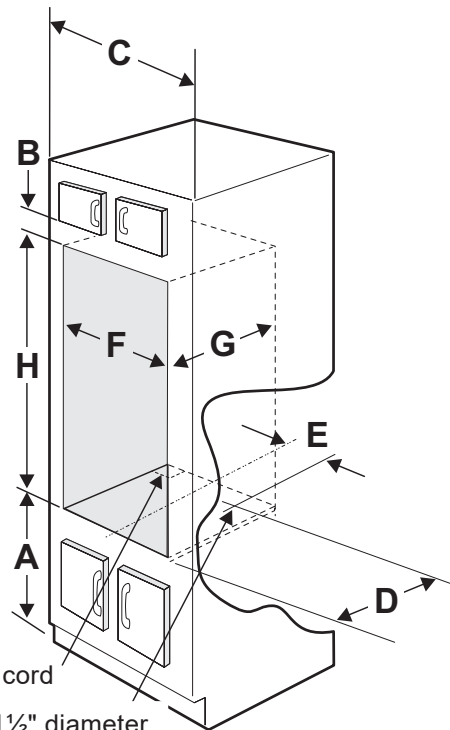
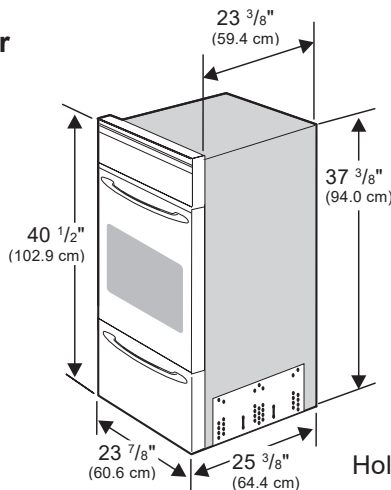


Figure 1

Cabinet dimensions					Cut-out dimensions		
A	B	C	D	E	F	G	H
10" Min (25.4 cm Min.)	1 1/2" Min. (3.8 cm Min.)	24" Min. (61 cm Min.)	20" (50.8 cm)	7 5/8" (19.4 cm)	22" (55.9 cm)	23 1/2" (59.7 cm)	37 1/2" Min. (95.3 Min.)
27 1/2" Max. (69.9 cm Max.)							38" Max. (96.5 Max.)

GAS WALL OVEN INSTALLATION INSTRUCTIONS

Important Notes to the Installer

1. Read all instructions contained in these installation instructions before installing the appliance.
2. Remove all packing material and literature from the oven and storage compartments before connecting gas and electric supply.
3. Observe all governing codes and ordinances.
4. Be sure to leave these instructions with the consumer.
5. For operation at 2000 ft. elevations above sea level, appliance rating shall be reduced by 4 percent for each additional 1000 ft.

Important Note to the Consumer

Keep these instructions with your Use and Care Guide for future reference.
Save these instructions for local inspectors.

IMPORTANT SAFETY INSTRUCTIONS

⚠ CAUTION POWER FAILURE

Do not attempt to operate the oven in the event of a power failure. If power failure should occur during operation, turn the oven control to the OFF position. Failure to turn the oven control off will result in oven operation upon resumption of power to the unit.

Installation of these appliances must conform with local codes or, in the absence of local codes, with the National Fuel Gas Code ANSI Z223.1—latest edition.

These appliances have been design certified by CSA Group. As with any appliance using gas and generating heat, there are certain safety precautions you should follow. You will find them in the Use and Care Guide, read it carefully.

- **Be sure your wall oven is installed and grounded properly by a qualified installer or service technician.**
 - **These wall ovens must be electrically grounded in accordance with local codes or, in their absence, with the National Electrical Code ANSI/NFPA No. 70—latest edition. See grounding instructions farther in this manual.**
 - **The installation of appliances designed for manufactured (mobile) home installation must conform with Manufactured Home Construction and Safety Standard Title 24CFR, Part 3280 [Formerly the Federal Standard for Mobile Home Construction and Safety, Title 24, HUD, (Part 280)] or when such standard is not applicable the Standard for Manufactured Home Installation 1982 (Manufactured Home Sites, Communities and Set-Ups), ANSI Z225.1/NFPA 501-A—latest edition, or with local codes.**
- ⚠ CAUTION** Do not store items or food of interest to children in the cabinets above the appliance. Children could be seriously burned or injured if they climb on the appliance to reach these items.
- **Do not store or use gasoline or other flammable vapors and liquids near this or any other appliance.** Explosions or fires could result.
 - Be certain all packing materials are removed from the unit before operating, to prevent fire or smoke damage should the packing material ignite.
 - Do not leave children alone in the kitchen when the appliance is in use. They should not be allowed to sit or stand on any part of the appliance, as injury or burns could result. Keep children from touching the oven door or glass window when the appliance is operating, as the door or window could get hot enough to cause serious burns.
 - Remove broiler tray and other utensils from oven before using the self-clean cycle (if equipped).
 - Do not use the oven as a store space. This creates a potentially hazardous situation.
 - The appliance requires fresh air for proper burner combustion. Do not obstruct the flow combustion air at the oven vent or around the base or beneath the lower front panel of the appliance. Avoid touching the oven openings or nearby surfaces, as they may become hot.
 - Remember, your oven is not designed to heat your kitchen. Such abuse could result in fire and/or damage to the unit and will void your warranty.

GAS WALL OVEN INSTALLATION INSTRUCTIONS

1. Carpentry

Refer to Figure 1 for the dimensions applicable to your appliance, and the space necessary to receive the oven. Corners must be square.

Floor cabinet must be able to support 150 pounds and must be flush with bottom of opening.

Oven support surface must be solid plywood or similar material. MDF (medium-density fibreboard), particle board, or laminated woods are not to be used as base support.

2. Connect Electricity to Gas Wall Oven

For personal safety, these appliances must be properly grounded.

⚠ WARNING This appliance is equipped with a three-prong grounding plug for your protection against shock hazard and must be plugged directly into a properly grounded receptacle. Do not cut or remove grounding prong from this plug.

120 volt, 60 Hertz, properly grounded dedicated circuit protected by a 15 amp circuit breaker or time delay fuse.

Do not use an extension cord with this range.

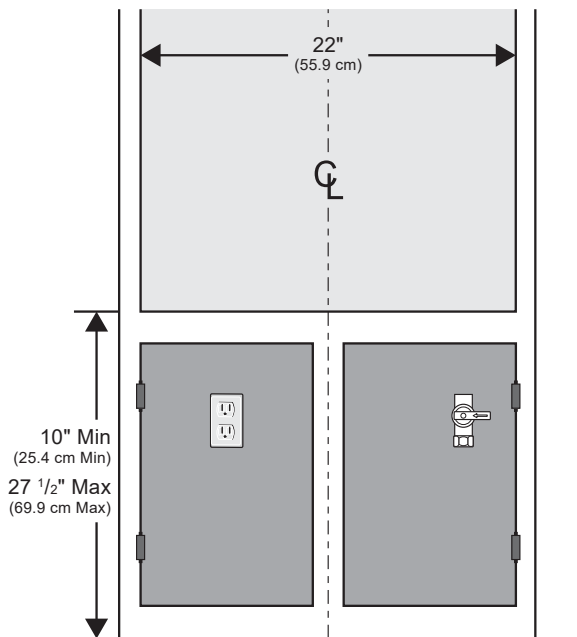


Figure 2

The wall receptacle should be located in the cabinet beneath the installation cutout. The receptacle should be easily accessible for service and removal of power from appliance (see Figure 2)

The wall receptacle and circuit should be checked by a qualified electrician to make sure the receptacle is properly grounded.

Preferred Method

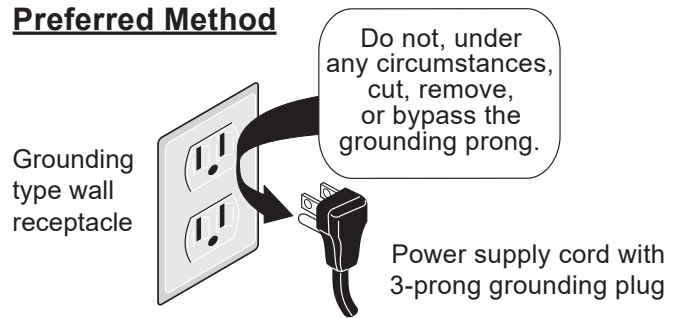


Figure 3

Where a standard 2-prong wall receptacle is installed, it is the personal responsibility and obligation of the consumer to have it replaced by a properly grounded 3-prong wall receptacle.

Do not, under any circumstances, cut or remove the third (ground) prong from the power cord.

If an external electrical source is used, the appliance, when installed, must be electrically grounded in accordance with local codes or in their absence of local codes with the National Electric Code ANSI/NFPA No. 70-1987 or latest edition.

Check all code rules and regulations for connecting the wall oven to be certain the installation conforms with all local, municipal and state codes as well as local utility regulations.

Failure to comply with the above could result in a **serious shock hazard.**

Note: All hook-ups and adjustments shall be performed by qualified technicians.

⚠ CAUTION Disconnect electrical supply cord from wall receptacle before servicing wall oven.

GAS WALL OVEN INSTALLATION INSTRUCTIONS

3. Alternate construction

Installation Instructions for installing a 1½ cavity oven into an existing 2 cavity opening with dimensions 42-1/8" height by 22 ½" Width.

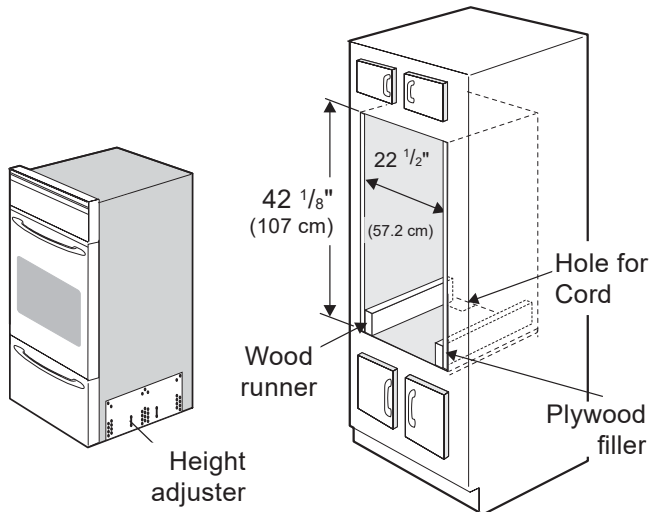


Figure 4

- If width opening is too wide to secure unit to cabinet with mounting screws, add plywood filler strips.
- If height opening is at 42-1/8", lower height adjuster 1" (see section 4) and secure two 2" X 4" X 22" wood runners on each side at bottom of opening (see Figure 4).
- The decorative lower trim (not shown) can be installed to hide the gap under the unit. It should overlap by ¼" the front of the cabinet at bottom of cutout (see step 2 of section 5).

4. Adjusting Oven Height

Remove and lay aside the lower vent decorative trim that is taped to the side or to the top of the oven. The decorative trim will be fastened to the lower front of the oven after it has been installed in the cabinet.

There is a 1 ½" height adjustment on models with extension panel (see Figure 5). With this adjustment and a ½" trim overhang, a unit can be installed in existing openings 37 ½" to 39" high.

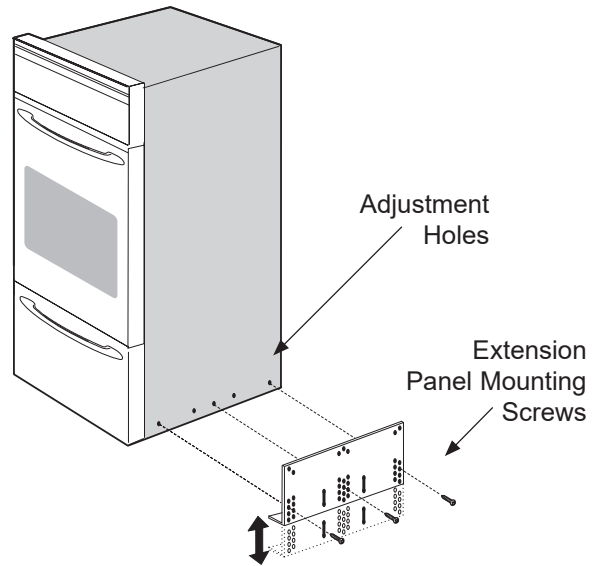


Figure 5

GAS WALL OVEN INSTALLATION INSTRUCTIONS

To adjust oven height:

1. Lay oven on its back (see Figure 6).
2. Remove the 3 screws that fasten the side extension panel to the bottom sides of the oven.
3. Move each panel down to the position that increases the oven height to fit your opening. Each position changes oven height approximately $\frac{1}{2}$ ".
4. Line up the appropriate holes in the side extension panels and sides of the oven. Put the 3 screws back.
5. Proceed with oven installation. Return to upright position.

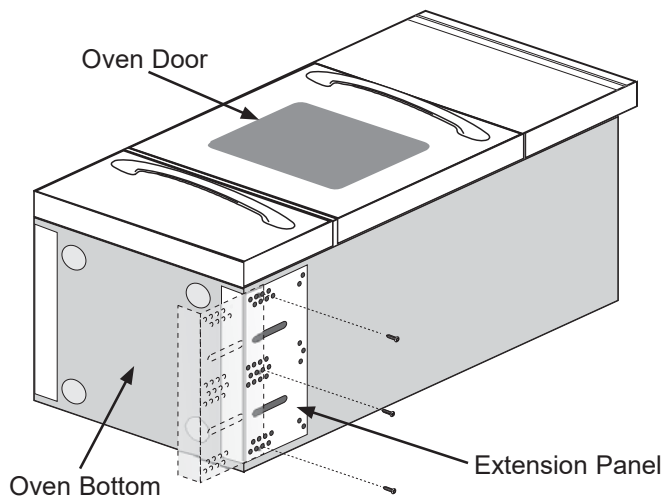


Figure 6

5. Cabinet Installation

Insert appliance into cutout. Use the 2 mounting screws provided to fasten the front frame of the appliance to the cabinet (steps 1 below). Keep the 6 decorative screws to fix the decorative trim to the cabinet (step 2 below). The mounting holes in the front frame of appliance may be used as a template to locate the appliance mounting screw holes on the cabinet.

To fasten the appliance to the cabinet (see Figure 7):

1. Use 2 mounting screws supplied to secure the appliance to the cabinetry. 2 holes are located under the center vent trim on each side.
2. Install the decorative trim panel to appliance bottom using the 6 supplied screws. Four screws are installed along the front of the panel. Two screws are installed at the upper corners of the panel.

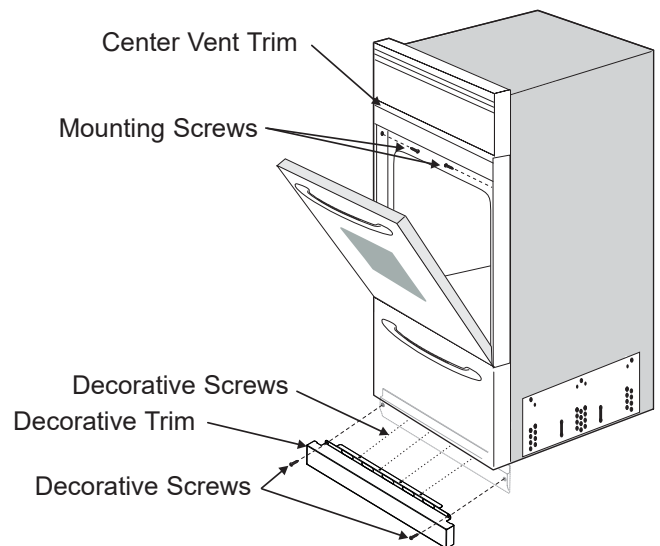


Figure 7

GAS WALL OVEN INSTALLATION INSTRUCTIONS

6. Provide an Adequate Gas Supply

Important: Read these instructions carefully before connecting this unit to a gas supply.

The units covered in these instructions are designed to operate on natural gas at 4" of manifold pressure or on LP gas at 10" of manifold pressure.

A convertible pressure regulator is connected in series with the manifold of the wall oven unit and must remain in series with the supply line, regardless of which type of gas is being used.

For proper operation, the maximum inlet pressure to the regulator must not exceed 14" of water column (W.C.) pressure.

To check the regulator, the inlet pressure must be at least 1" (or 3.4 kPa) greater than the regulator pressure setting. If the regulator is set for 4", the inlet pressure must be at least 5". If the regulator is set for 10", the inlet pressure must be at least 11".

A manual shut-off valve must be installed on the gas supply line external to the unit and where it can be easily reached for the purpose of turning the gas to the unit on and off. The recommended location for the shut-off valve is in the cabinet beneath the installation cutout (see Figure 8).

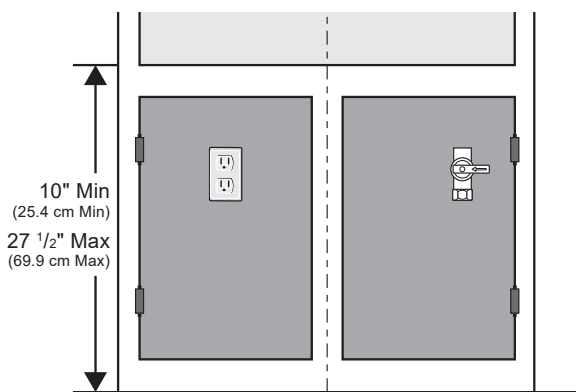


Figure 8

The gas supply line to the unit should be 1/2" (1.3 cm) or 3/4" (1.9 cm) pipe.

Close all openings in the cabinet cavity that encloses this unit. All openings around gas service outlets must be closed at the time of installation.

7. Connection to Gas (see Figure 9)

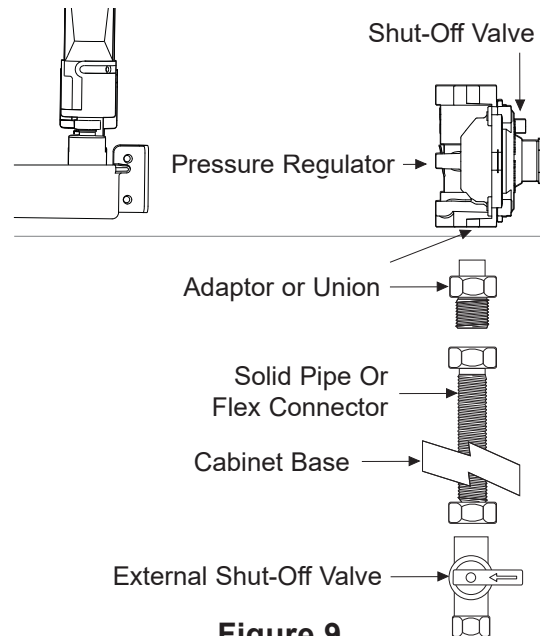


Figure 9

BEFORE CONNECTING THE UNIT

Remove all packing material and literature from wall oven before connecting gas and electrical supply to the appliance.

Remove the storage drawer by pulling the drawer out to the stops. Lift the drawer front to clear the stops and pull it out.

The fuel regulator on this appliance has a built-in shut-off valve. Make sure the valve is UP in the OPEN position (see Figure 10).

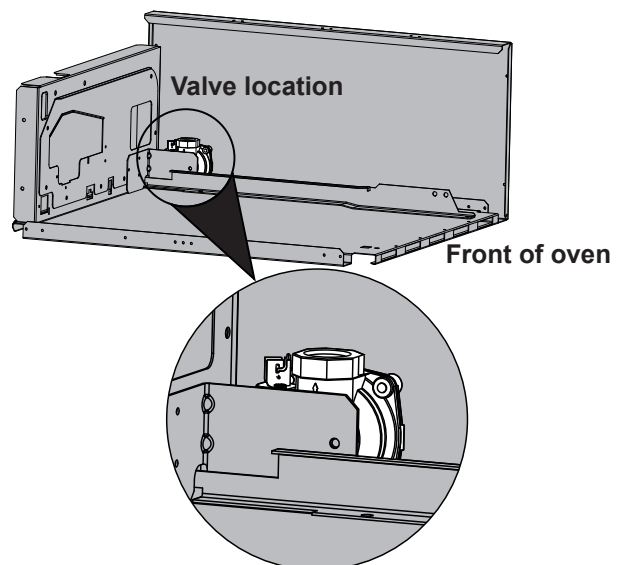


Figure 10a

GAS WALL OVEN INSTALLATION INSTRUCTIONS

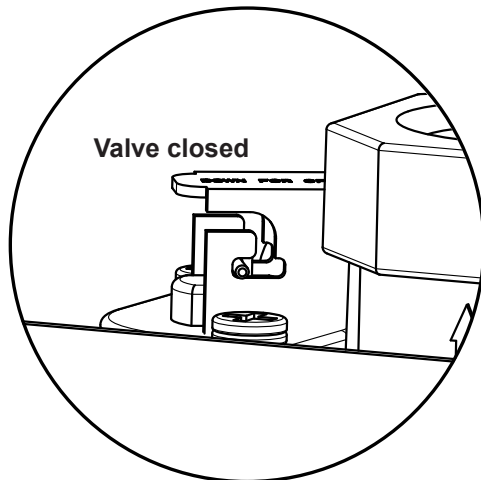


Figure 10b

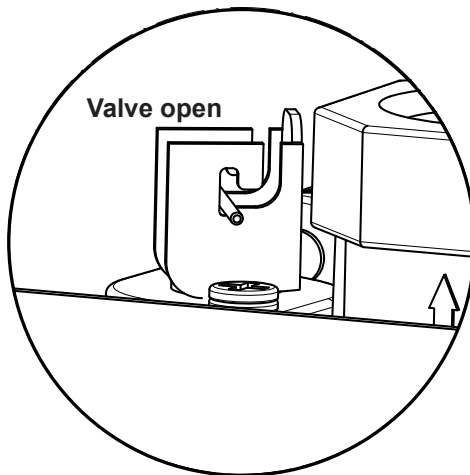


Figure 10c

Check for leaks. After connecting gas, check system for leaks with a manometer. If a manometer is not available shut all pilots off (if present), turn on the gas supply to the unit and use a liquid leak detector at all joints and connections.

Tighten all connections if necessary to prevent gas leakage in the wall oven or supply line.

IMPORTANT: A pipe joint sealant resistant to the action of LP Gas must be used on all pipe connections.

CAUTION Do not use a flame to check for leaks from gas connections. Checking for leaks with a flame may result in a fire or explosion.

Disconnect the oven and its individual shutoff valve from the gas supply piping system during any pressure test greater than ½ psig.

Isolate the wall oven from the gas supply piping system by closing its individual manual shutoff valve during any pressure testing of the gas supply piping system at test pressures equal to or less than ½ psig.

8. LP/Propane Gas Conversion

A. Pressure Regulator Conversion

Note: Do not remove the Pressure Regulator. These models have an electric broiler element. No adjustments are required to this element during fuel type conversion.

Convert the Pressure Regulator for use with LP Gas (see Figure 11).

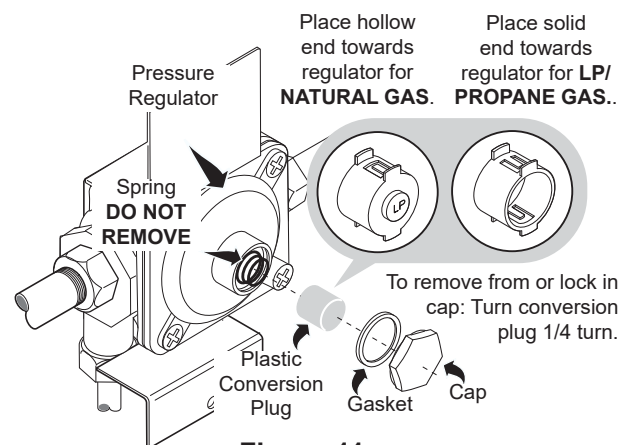


Figure 11

Remove storage drawer by pulling drawer out to stops. Lift drawer front to clear stops and pull out.

Locate pressure regulator on lower back wall and convert as shown in Figure 11.

1. Remove the cap from the pressure regulator.
2. Remove the plunger.
3. Turn the plunger upside down with the enlarged end **TOWARDS** regulator.
4. Replace the plunger inside the regulator. The letters LP or 10" W.C. should be visible on the exposed end of the plunger.
5. Replace the cap on the pressure regulator.

NOTE: The type of gas pressure the regulator is set for is indicated on the top of the plunger.

GAS WALL OVEN INSTALLATION INSTRUCTIONS

B. Adjust Oven Burner Orifice (see Figure 12)

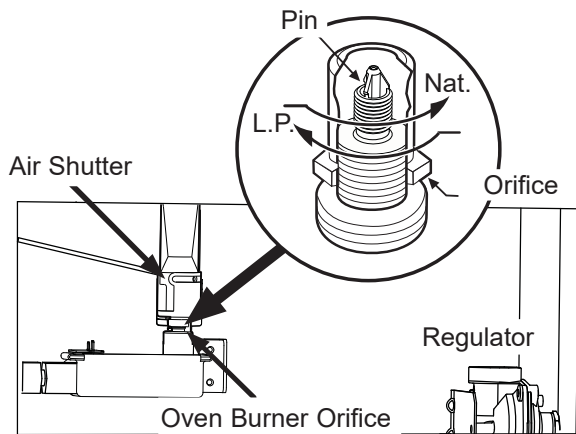


Figure 12

Using a 1/2" wrench, turn down the adjustable orifice which injects gas into the oven burner. Turn orifice approximately 2 1/2 turns until snug against the LP metering pin. Do not overtighten.

9. Natural Gas Conversion

Convert the Pressure Regulator for use with Natural Gas (see Figure 10)

- A. Remove the cap from the pressure regulator.
- B. Remove the plunger.
- C. Turn the plunger around so that the small end is **TOWARDS** the regulator.
- D. Replace the plunger inside the regulator. The letters NAT or 4" W.C. should be visible on the exposed end of the plunger.
- E. Replace the cap on the pressure regulator.
- F. Turn orifice approximately 2 1/2 turns counter-clockwise. This will move the spud away from the pin.
- G. Apply gas, adjust pilots (if equipped) and burner air shutter for proper flame.
- H. There should be 4" WC pressure in the manifold after conversion for proper operation on Natural Gas.

10. Adjustments

The air shutter adjustment is located on the venturi tube, which sets on the orifice of the valve, and is locked in place with a Phillips head screw. If the air shutter needs adjusting, loosen the screw and rotate the shutter to allow more or less air to the burner tube (see Figure 13).

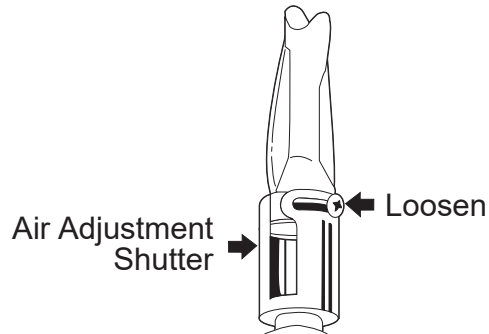


Figure 13

For Natural Gas, the air shutter should be approximately half open. For LP Gas, the air shutter nearly full open.

Too much air will cause the flame to lift away from the burner. Too little air will cause the flame to turn yellow at the outer edges and soot to form.

Remember, the oven will be shipped from the factory set for Natural Gas, unless otherwise stated. If connecting to LP gas, be sure to follow procedure under "Conversion" to change the regulator and burner orifice to the LP setting.

To observe the burner flame while making adjustments, the oven bottom and the flame spreader must be removed.

1. Remove the two screws from the rear of the oven bottom. Lift the oven bottom out of the cavity (see Figure 14a).
2. The flame spreader is attached with two tabs or shoulder brackets and secured with three screws. Remove The screws, slide flame spreader back, and lift the spreader out of the oven cavity (see Figure 14b).

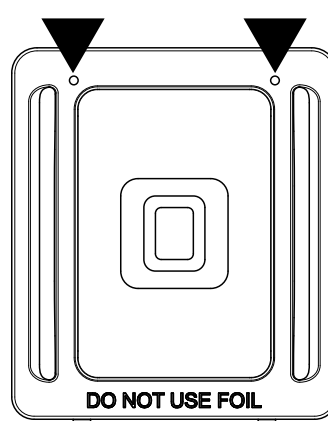


Figure 14a

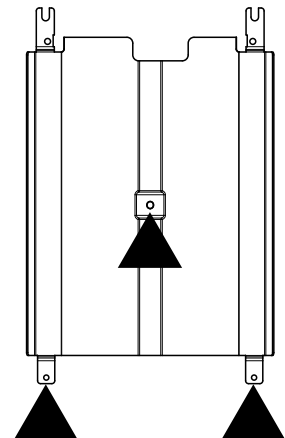


Figure 14b

GAS WALL OVEN INSTALLATION INSTRUCTIONS

Observe the oven burner flame to determine if it is right. It should be steady with a blue cone approximately 1" long and should not extend out over the edges of baffle. For LP Gas, this will most likely occur when the air adjustment shutter is completely open.

Turn Oven Temperature to 300°F and allow oven burner to cycle on and off.

To replace storage drawer, reverse steps taken for removal (see the Use and Care Guide for complete instructions). Replace oven racks.

11. Check Operation

Refer to the Use and Care Guide packaged with the wall oven for operating instructions and for care and cleaning of your appliance.

Do not touch the oven burners. They may be hot enough to cause burns.

1. Check the Igniters (some models)

Operation of electric igniters should be checked after oven and supply line connectors have been carefully checked for leaks and oven has been connected to electric power.

2. Oven Igniter System

Close the door and turn the Oven Temperature to 300°F. In approximately 60 seconds, the burner should ignite and stay on until oven reaches 300°F. Burner should then cycle on and off to maintain an average temperature of approximately 300°F.

When All Hookups are Complete

Make sure all controls and programmable timer are left in the OFF position.

Reset all controls to the "OFF" position after using a programmable timing operation.

Model and Serial Number Location

The serial plate is located on the left side inner trim of the oven.

When ordering parts for or making inquiries about your wall oven, always be sure to include the model and serial numbers and a lot number or letter from the serial plate of your appliance.

Your serial plate also tells you the rating of the burners, the type of fuel and the pressure the wall oven was adjusted for when it left the factory.

⚠ WARNING

- **Stepping, leaning or sitting on the oven door or drawer can result in serious injuries and also cause damage to the appliance.**
- **Be sure to keep appliance clear of combustible materials, gasoline and other flammable vapors and liquids.**

Before You Call for Service

Read the Avoid Service Checklist and operating and cleaning instructions in your Use and Care Guide.

Check to make sure the house fuse or circuit breaker for your wall oven is not blown or open.

Care, Cleaning and Maintenance for Wall Ovens

If removing the wall oven is necessary for cleaning or maintenance, shut off gas supply. Disconnect the gas and electric supply. Remove the installation screws from front frame and lower trim. Pull out only as far as necessary to disconnect the electric supply line. After disconnecting the gas and electric supply, finish removing the unit for servicing and cleaning. Reinstall in reverse order and make sure that appliance is level; check gas connection for leaks.

HORNO DE GAS DE PARED - INSTRUCCIONES DE INSTALACIÓN

LAS TAREAS DE INSTALACIÓN Y SERVICIO DEBERÁN SER REALIZADAS POR UN INSTALADOR CUALIFICADO.

IMPORTANTE: CONSERVAR PARA USO POR PARTE DE LOS INSPECTORES DE ELECTRICIDAD.

LEA Y CONSERVE ESTAS INSTRUCCIONES PARA SU CONSULTA FUTURA

ADVERTENCIA Si no se sigue al pie de la letra la información de esta guía, se puede producir un incendio o una explosión, lo cual causaría daños a la propiedad, lesiones personales o la muerte.

PARA SU SEGURIDAD:

- No almacene ni utilice gasolina ni otros líquidos o vapores inflamables cerca de éste ni de ningún otro electrodoméstico.
- **QUÉ HACER SI SIENTE OLOR A GAS:**
 - No intente encender ningún electrodoméstico.
 - No toque ningún interruptor eléctrico; no utilice ningún teléfono de su edificio.
 - Llame inmediatamente a su proveedor de gas desde el teléfono de un vecino. Siga las instrucciones del proveedor de gas.
 - Si no puede ponerse en contacto con el proveedor de gas, llame a los bomberos.
- La instalación y el servicio deben ser llevados a cabo por un instalador calificado, agencia de servicios o proveedor de gas.

Medidas de seguridad adicionales

- No instale el horno de pared bajo la encimera.
- La abertura de ventilación del horno no deberá estar situada a menos de 36" del suelo.

Deje un espacio de al menos 21-1/4" por delante para permitir que la puerta se abra por completo.

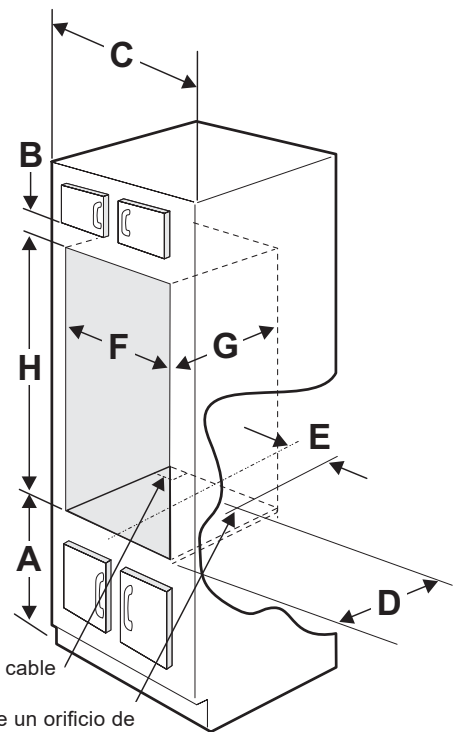
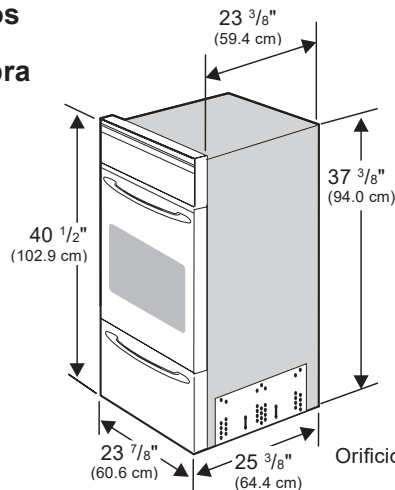


Figura 1

Dimensiones del armario					Dimensiones del troquelado		
A	B	C	D	E	F	G	H
10" Min (25.4 cm Min.)	1 1/2" Min. (3.8 cm Min.)	24" Min. (61 cm Min.)	20" (50.8 cm)	7 5/8" (19.4 cm)	22" (55.9 cm)	23 1/2" (59.7 cm)	37 1/2" Min. (95.3 Min)
27 1/2" Max. (69.9 cm Max.)							38" Max. (96.5 Max.)

P/N 809017902 (19/10) Rev. B
 English – pages 1-9
 Español – páginas 10-18
 Français – páginas 19-27

HORNO DE GAS DE PARED - INSTRUCCIONES DE INSTALACIÓN

Notas importantes para el instalador

1. Lea todas las instrucciones contenidas en estas instrucciones de instalación antes de instalar el dispositivo.
2. Retire todo el material de embalaje y papel impreso de los compartimentos de horno y los compartimentos de almacenamiento antes de conectar el gas y la corriente eléctrica.
3. Observe todas las normas aplicables.
4. Asegúrese de dejar estas instrucciones al consumidor.
5. Para operación a alturas de 2000 pies sobre el nivel del mar, deberá reducirse la potencia del dispositivo en un 4 por ciento por cada 1000 pies adicionales.

Nota importante para el consumidor

Mantenga estas instrucciones con su Guía de uso y cuidado para consultas futuras.

Conserve estas instrucciones para los inspectores locales.

INSTRUCCIONES DE

⚠ PRECAUCIÓN FALLA ELÉCTRICA

No intente usar el horno en caso de falla eléctrica. En el caso de producirse una falla eléctrica durante la operación, ponga el control del horno en posición OFF. No desconectar el horno hará que el horno vuelva a funcionar al recuperarse la alimentación eléctrica.

SEGURIDAD IMPORTANTES

La instalación de estos dispositivos debe cumplir las normas locales o, en su ausencia, la norma National Fuel Gas Code ANSI Z223.1—última edición.

El diseño de estos dispositivos está certificado por CSA Group. Como con cualquier dispositivo que utilice gas y genere calor, es preciso seguir determinadas precauciones de seguridad. Encontrará estas precauciones en la Guía de uso y cuidado; léala atentamente.

- **Asegúrese de que el horno de pared sea adecuadamente instalado y conectado a tierra por un instalador o técnico de servicio cualificado.**
- **Estos hornos de pared deben estar conectados a tierra de conformidad con las normas locales o, en su ausencia, a la norma National Electrical Code ANSI/NFPA No. 70—última edición.**

Consulte las instrucciones para conexión a tierra más adelante en este manual.

- **La instalación de los dispositivos diseñados para instalación en casas prefabricadas (móviles) debe cumplir la norma Manufactured Home Construction and Safety Standard Title 24CFR, Parte 3280 [Antes Federal Standard for Mobile Home Construction and Safety, Title 24, HUD, (Parte 280)] o, si dicha norma no es aplicable, la Standard for Manufactured Home Installation 1982 (Manufactured Home Sites, Communities and Set-Ups), ANSI Z225.1/NFPA 501-A- última edición o las normas locales.**

⚠ PRECAUCIÓN No guarde en los armarios situados sobre el horno ningún objeto o alimento que pueda atraer la atención de los niños. Los niños pueden sufrir quemaduras o lesiones graves si se suben al dispositivo para alcanzar estos objetos.

- **No almacene ni utilice gasolina ni otros vapores y líquidos inflamables cerca de este dispositivo o cualquier otro.** Pueden ocasionarse explosiones o fuegos.
- Asegúrese de retirar todos los materiales de embalaje de la unidad antes de ponerla en funcionamiento para evitar daños por fuego o humo en el caso de ignición de estos materiales.
- No deje niños solos en la cocina mientras utiliza este dispositivo. No permita que se sienten o pongan en pie sobre ninguna parte de dispositivo, ya que pueden producirse lesiones o quemaduras. Evite que los niños toquen la puerta y la ventana de cristal del horno mientras está en funcionamiento, ya que la puerta y la ventana pueden calentarse lo suficiente como para provocar quemaduras graves.
- Retire la bandeja de la asadera y otros utensilios del horno antes de utilizar el ciclo de autolimpieza (en su caso).
- No use el horno como espacio de almacenamiento. Esto puede crear situaciones potencialmente peligrosas.
- El dispositivo precisa aire fresco para una adecuada combustión en el quemador. No obstruya el flujo de aire de combustión en el orificio de ventilación del horno ni alrededor de la base o bajo la parte inferior del panel frontal del dispositivo. Evite tocar las aberturas o superficies cercanas, que pueden calentarse.
- Recuerde que su horno no ha sido diseñado para calentar la cocina. Este mal uso puede producir fuego y/o daños en la unidad y dejar nula su garantía.

HORNO DE GAS DE PARED - INSTRUCCIONES DE INSTALACIÓN

1. Carpintería

Consulte las dimensiones de su dispositivo y el espacio necesario para acomodar el horno en la Figura 1. Las esquinas deberán ser cuadradas.

El piso del armario deberá ser capaz de soportar 150 libras de peso y deberá estar al nivel de la parte inferior de la abertura.

La superficie de apoyo del horno deberá ser de contrachapado sólido o material similar. No utilice MDF (panel de fibra de densidad media), panel de partículas ni maderas laminadas como base de apoyo.

2. Conecte la corriente eléctrica al horno de gas de pared

Por seguridad de las personas, estos dispositivos deben estar adecuadamente conectados a tierra.

⚠ ADVERTENCIA Este electrodoméstico tiene un enchufe de tres patas con conexión a tierra para su protección contra riesgos eléctricos y deberá enchufarse directamente en una toma eléctrica adecuada con conexión a tierra. No corte ni quite la pata de conexión a tierra de este enchufe.

120 voltios, 60 Hz, conectado a tierra adecuadamente circuito dedicado protegida por un fusible de retardo disyuntor de 15 amperios o tiempo.

No utilice un cable de extensión con este rango.

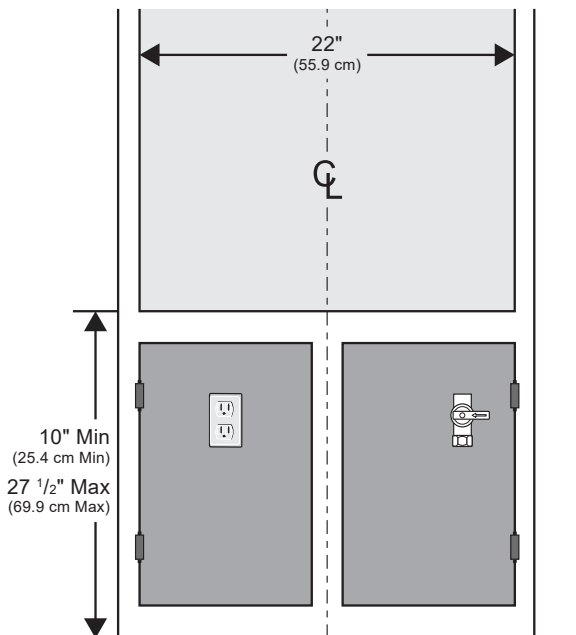


Figura 2

La toma de la pared deberá estar situada en el armario bajo el troquelado de instalación. La toma deberá ser fácilmente accesible para tareas de servicio y desconexión de la corriente eléctrica del dispositivo (ver Figura 2).

La toma de pared y el circuito deberán ser comprobados por un electricista cualificado para garantizar que la toma tenga una adecuada conexión a tierra.

Método preferido

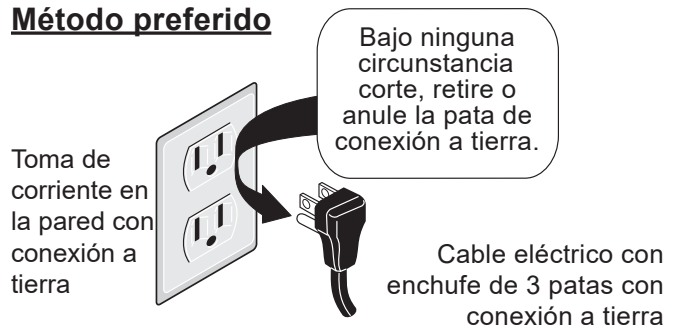


Figura 3

En el caso de que esté instalada una toma estándar de dos patas, es responsabilidad personal del consumidor hacer que se reemplace por una toma eléctrica para enchufes de tres patas con la conexión a tierra correspondiente.

En ninguna circunstancia corte o retire la tercera pata (tierra) del cable de alimentación.

Si se utiliza una fuente de alimentación eléctrica, el dispositivo debe conectarse a tierra durante la instalación, de conformidad con las normas locales o, en su ausencia, con la norma National Electric Code ANSI/NFPA No. 70-1987 o su última edición.

Compruebe todas las normas de conexión del horno de pared para asegurarse de que la instalación cumpla todas las leyes y normas locales, municipales y estatales, así como las de la compañía eléctrica.

El no cumplimiento de los puntos anteriores crea un peligro potencial de descarga eléctrica grave.

Nota: Todas las conexiones y ajustes deben ser realizadas por técnicos cualificados.

⚠ PRECAUCIÓN Desconecte el cable de alimentación eléctrica de la toma de la pared antes de realizar tareas de servicio en el horno.

HORNO DE GAS DE PARED - INSTRUCCIONES DE INSTALACIÓN

3. Construcción alternativa

Instrucciones de instalación para instalar un horno con cavidad de 1½ en una abertura existente de 2 cavidades con dimensiones de 42-1/8" de altura por 22 ½" de anchura.

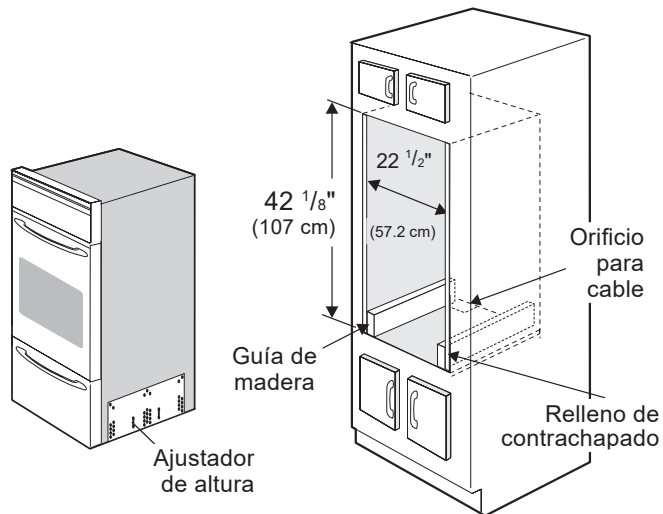


Figura 4

- Si la abertura es demasiado ancha para fijar la unidad al armario con tornillos de montaje, añada un relleno de contrachapado.
- Si la abertura tiene altura de 42-1/8", baje el ajustador de altura 1" (ver sección 4) y fije dos guías de madera de 2" X 4" X 22" a cada lado de la parte inferior de la abertura (ver Figura 4).
- Puede instalarse la moldura decorativa inferior (no ilustrada) para ocultar el espacio bajo la unidad. Deberá superponerse por ¼" al frontal del armario en la parte inferior del troquelado (ver paso 2 de la sección 5).

4. Ajuste de la altura del horno

Retire y deje a un lado la moldura decorativa del orificio de ventilación inferior que está pegada al lateral o a la parte superior del horno. La moldura decorativa se ajustará al frontal inferior del horno después de haberse instalado en el armario.

Hay un ajuste de altura de 1 ½" en modelos con panel de extensión (ver Figura 5). Con este ajuste y una moldura adicional de ½", es posible instalar una unidad en aberturas ya existentes de 37 ½" a 39" de altura.

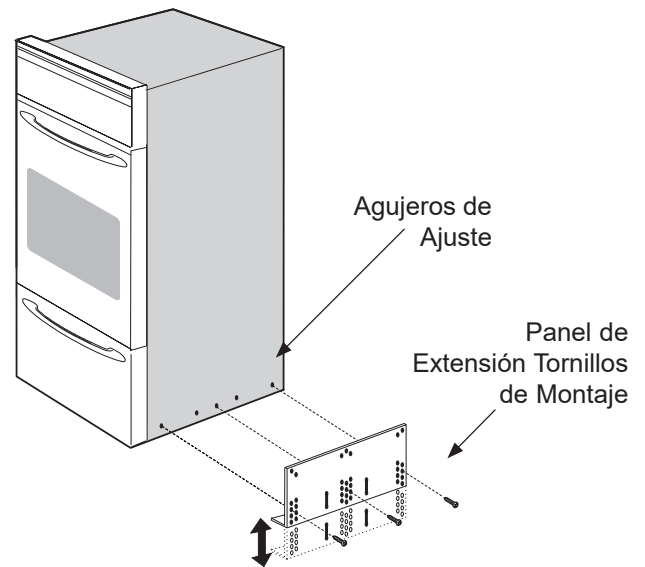


Figura 5

Para ajustar la altura del horno:

1. Coloque el horno sobre la parte posterior (ver Figura 6).
2. Retire los tres tornillos que ajustan el panel lateral de extensión a los laterales inferiores del horno.
3. Mueva cada panel hacia abajo a la posición que aumenta la altura del horno para ajustarse al espacio abierto. Cada posición cambia la altura del horno aproximadamente en ½".
4. Alinee los orificios correspondientes de los paneles de extensión laterales y los lados del horno. Vuelva a colocar los tres tornillos.
5. Continúe con la instalación del horno. Vuelva a colocarlo en posición levantada.

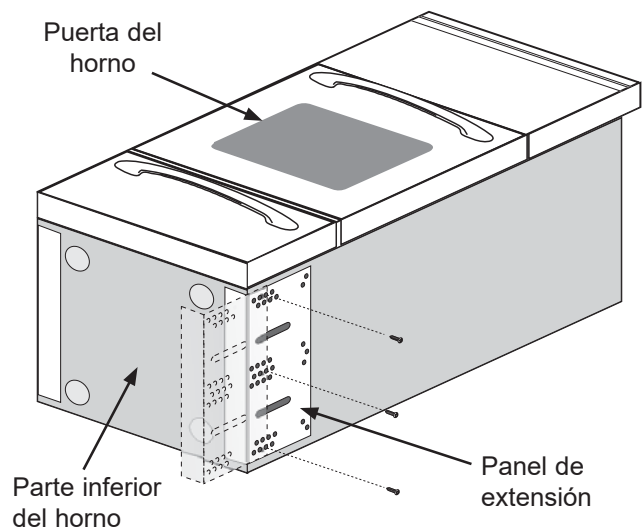


Figura 6

HORNO DE GAS DE PARED - INSTRUCCIONES DE INSTALACIÓN

5. Instalación del armario

Inserte el dispositivo en el troquelado. Utilice los dos tornillos de montaje suministrados para apretar el bastidor frontal del dispositivo al armario (paso 1 a continuación). Mantenga los seis tornillos decorativos para fijar la moldura decorativa al armario (paso 2 a continuación). Pueden utilizarse los orificios de montaje del bastidor frontal del dispositivo como plantilla para localizar los orificios de los tornillos de montaje del dispositivo en el armario.

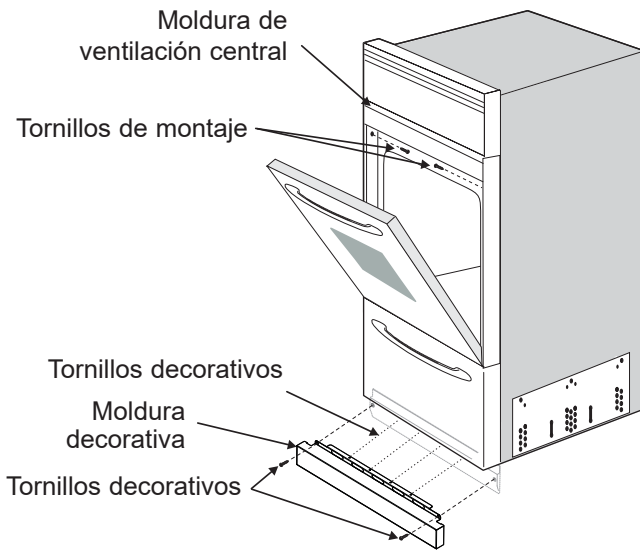


Figura 7

Para ajustar el dispositivo al armario (ver Figura 7):

1. Utilice dos tornillos de montaje suministrados para fijar el dispositivo al armario. Los dos orificios están situados bajo la moldura de la abertura de ventilación central a cada lado.
2. Instale el panel de la moldura decorativa en la parte inferior del dispositivo utilizando los seis tornillos suministrados. Cuatro tornillos se colocan en el frontal del panel. Dos tornillos se colocan en las esquinas superiores del panel.

6. Proveer un suministro de gas adecuado

Importante: Lea atentamente estas instrucciones antes de conectar esta unidad a un suministro de gas.

Las unidades a las que se refieren estas instrucciones están diseñadas para funcionar con gas natural con una presión de 4" en el colector o gas LP con 10" de presión en el colector.

Un regulador de presión convertible está conectado en serie con el colector de la unidad de horno de pared y debe permanecer en serie con la línea de suministro, independientemente del tipo de gas utilizado.

Para un adecuado funcionamiento, la presión máxima de entrada del regulador no debe exceder 14" de la presión de la columna de agua (W.C.).

Para comprobar el regulador, la presión de entrada debe ser al menos 1" (o 3,4 kPa) mayor que el ajuste de presión del regulador. Si el regulador está ajustado a 4", la presión de entrada debe ser de al menos 5". Si el regulador está ajustado a 10", la presión de entrada debe ser de al menos 11".

Deberá instalarse una válvula de desconexión manual en la línea de suministro de gas en el exterior de la unidad y en lugar fácilmente alcanzable para conectar o desconectar el gas a la unidad. La ubicación recomendada para la válvula de desconexión es en el armario, bajo el troquelado de instalación (ver Figura 8).

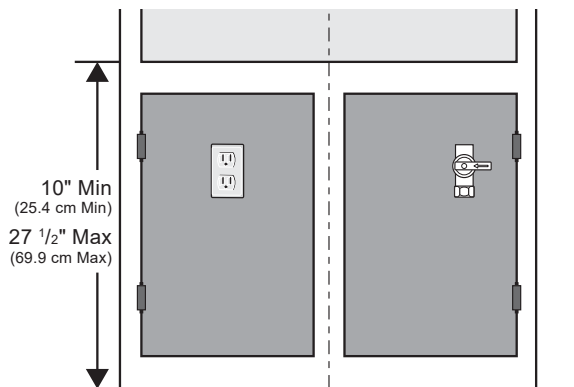


Figura 8

La línea de entrada de gas a la unidad deberá ser con tubería de de 1/2" (1,3 cm) o 3/4" (1,9 cm).

Cierre todas las aberturas de la cavidad del armario en el que se instala la unidad. Todas las aberturas alrededor de las salidas de gas de servicio deben cerrarse en el momento de la instalación.

HORNO DE GAS DE PARED - INSTRUCCIONES DE INSTALACIÓN

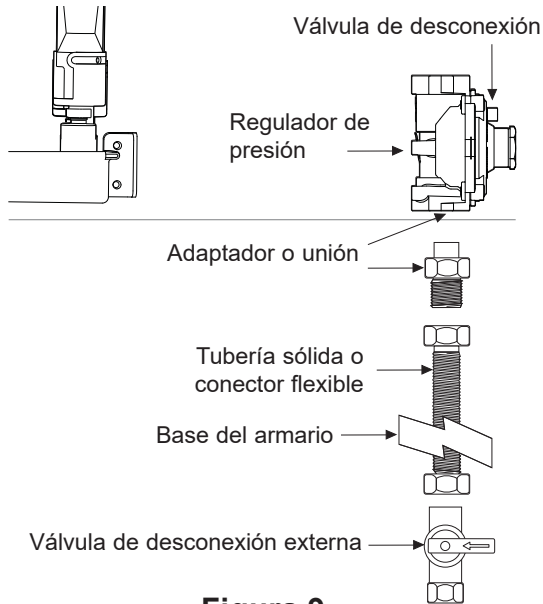


Figura 9

7. Conexión al gas (ver Figura 9)

ANTES DE CONECTAR LA UNIDAD

Retire todos los materiales de embalaje e impresos del horno de pared antes de conectar gas y corriente eléctrica al dispositivo.

Retire la cajón de almacenamiento tirando del cajón hasta los topes. Levante el frontal del cajón para quitar los topes y sáquelo.

El regulador de combustible de este aparato tiene una válvula de cierre incorporada. Asegúrese de que la válvula esté en posición ABIERTA (consulte la Figura 10).

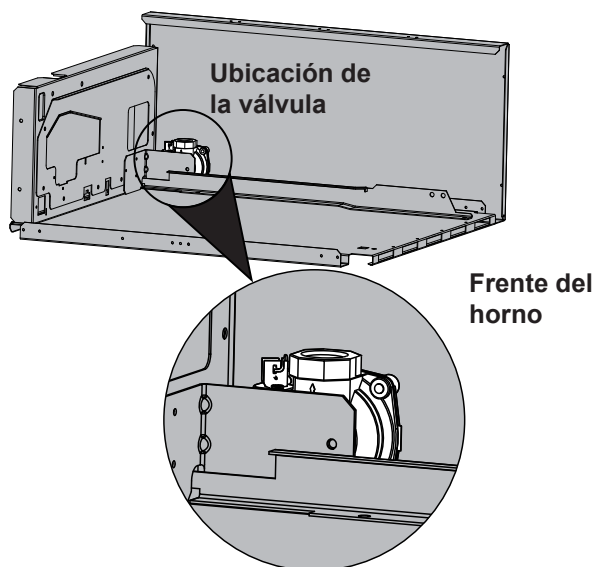


Figure 10a

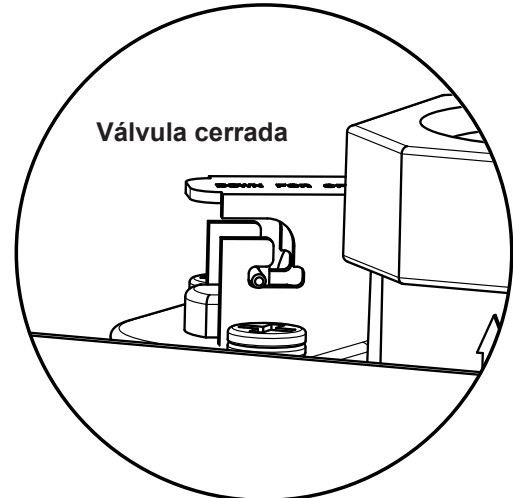


Figure 10b

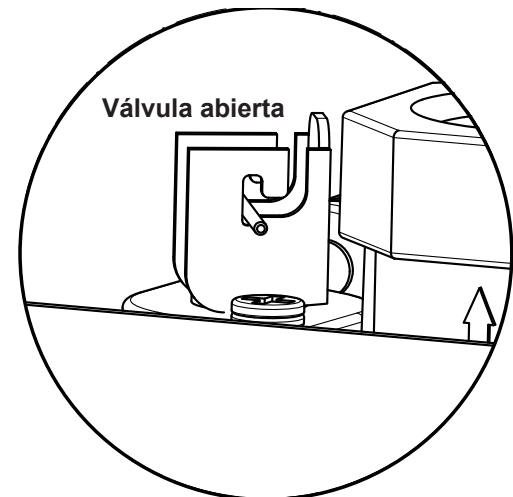


Figure 10c

Compruebe si hay pérdidas. Después de conectar el gas, compruebe si hay pérdidas en el sistema con un manómetro. Si no dispone de manómetro, apague todos los pilotos (si están encendidos), active la entrada de gas a la unidad y utilice un detector de gas líquido en todas las juntas y conexiones.

Apriete todas las conexiones si es preciso para evitar pérdidas de gas en el horno de pared o en la línea de suministro.

IMPORTANTE: Utilice un sellador de juntas de tubería resistente a la acción del gas LP en todas las conexiones de tuberías.

⚠ PRECAUCIÓN No utilice llama para comprobar si hay pérdidas de gas en las conexiones. Comprobar la existencia de pérdidas con una llama puede provocar fuego o explosión.

HORNO DE GAS DE PARED - INSTRUCCIONES DE INSTALACIÓN

Desconecte el horno y su válvula de desconexión individual del sistema de suministro de gas durante cualquier comprobación de la presión superior a ½ psig.

Aísle el horno de pared del sistema de suministro de gas cerrando la válvula manual individual de desconexión durante cualquier comprobación de la presión del sistema de suministro de gas con presiones de prueba iguales o inferiores a ½ psig.

8. Conversión a gas LP/Propano

A. Conversión del regulador de presión

Nota: No retire el regulador de presión. Estos modelos tienen un elemento de parrilla eléctrico. No se requieren ajustes a este elemento durante la conversión del tipo de combustible.

Convertir el regulador de presión para uso con gas LP (ver Figura 11).

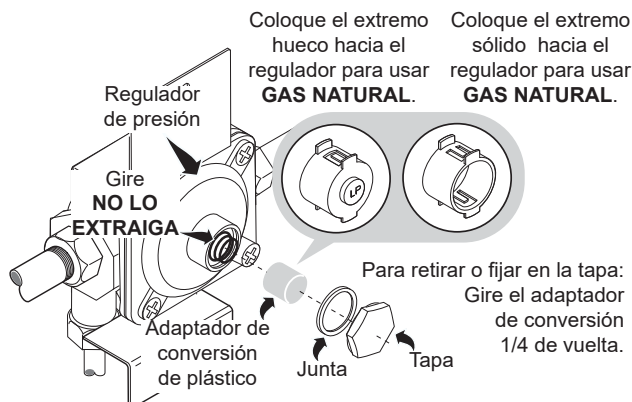


Figura 11

Retire la caja de almacenamiento tirando del cajón hasta los topes. Levante el frontal del cajón para quitar los topes y sáquelo.

Localice el regulador de presión de la parte inferior de la pared trasera y haga la conversión según se indica en la Figura 11.

1. Retire la tapa del regulador de presión.
2. Saque el émbolo.
3. Gire el émbolo boca abajo con el extremo alargado **HACIA** el regulador.
4. Vuelva a colocar el émbolo en el regulador. Las letras LP o 10" W.C. deberán estar visibles en el extremo del émbolo a la vista.
5. Vuelva a colocar la tapa en el regulador de presión.

NOTA: El tipo de presión del gas para el que está ajustado el regulador se indica en la parte superior del émbolo.

B. Ajuste el orificio del quemador del horno (ver Figura 12)

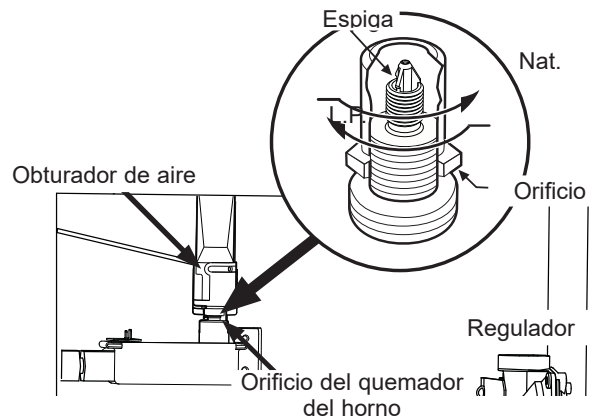


Figura 12

Con una llave de ½", gire hacia abajo el orificio ajustable que inyecta gas al quemador del horno. Gire el orificio aproximadamente 2½ vueltas hasta que quede bien ajustado contra la espiga de medición de LP. No apriete excesivamente.

9. Conversión de gas natural

Convertir el regulador de presión para uso con gas natural (ver Figura 11).

- A. Retire la tapa del regulador de presión.
- B. Saque el émbolo.
- C. Dé vuelta al émbolo de modo que el extremo pequeño quede **HACIA** el regulador.
- D. Vuelva a colocar el émbolo en el regulador. Las letras NAT o 4" W.C. deberán estar visibles en el extremo del émbolo a la vista.
- E. Vuelva a colocar la tapa en el regulador de presión.
- F. Gire el orificio aproximadamente 2½ vueltas en sentido contrario a las agujas del reloj. Esto alejará el mechero de la espiga.
- G. Aplique gas, ajuste los pilotos (en su caso) y el obturador de aire del quemador para obtener una llama adecuada.
- H. Deberá haber 4" WC de presión en el colector tras la conversión para un correcto funcionamiento con gas natural.

10. Ajustes

Ajuste de la llama en horno/asadera

El ajuste del obturador de aire está situado en el tubo de venturi, que ajusta el mechero de la válvula y se bloquea en posición con un destornillador de estrella. Si es necesario ajustar el obturador de aire, afloje el tornillo y gire el obturador para dejar pasar más o menos aire al tubo del quemador (ver Figura 13).

HORNO DE GAS DE PARED - INSTRUCCIONES DE INSTALACIÓN

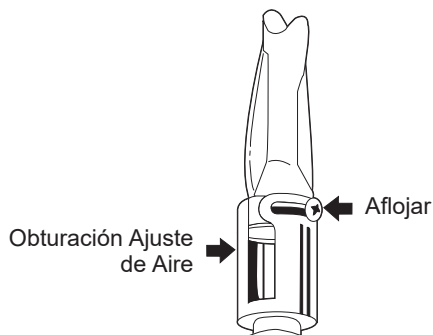


Figura 13

Para gas natural, el obturador de aire deberá estar abierto aproximadamente a la mitad. Para gas LP, el obturador de aire deberá estar casi totalmente abierto.

Un exceso de aire hará que la llama se separe del quemador. Demasiado poco aire hará que la llama se amarillee en los bordes exteriores y se forme hollín.

Para observar la llama del quemador mientras se hacen los ajustes, la parte inferior del horno y el esparcidor de llama deben retirarse.

1. Retire los dos tornillos de la parte posterior de la parte inferior del horno. Levante la parte inferior del horno fuera de la cavidad (consulte la Figura 14a).
2. El esparcidor de llama está sujeto con dos pestañas o soportes de hombro y asegurados con tres tornillos. Retire los tornillos, deslice el esparcidor de llama hacia atrás y levante el esparcidor fuera de la cavidad del horno (consulte la Figura 14b).

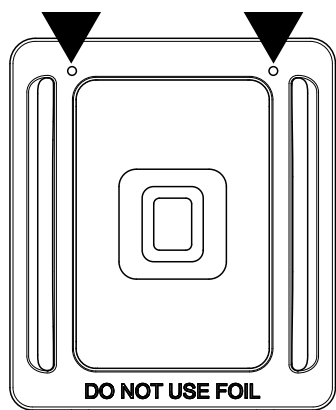


Figura 14a

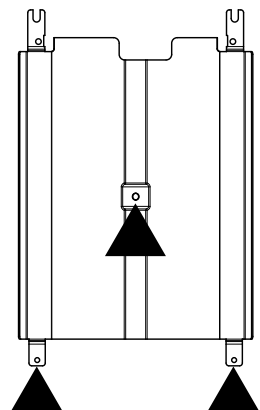


Figura 14b

Observe la llama del quemador del horno para determinar si está bien. Debe ser estable con un cono azul de aproximadamente 1" de largo y no debe extenderse sobre los bordes del deflector. Para el Gas LP, esto ocurrirá muy probablemente cuando el obturador de ajuste de aire esté completamente abierto.

Ajuste la temperatura del horno a 300°F y deje que el quemador haga un ciclo de encendido y apagado.

Para volver a colocar la asadera o el cajón de almacenamiento, siga en orden inverso los pasos indicados para sacarlos (encontrará instrucciones completas en la Guía de uso y cuidado). Vuelva a colocar las parrillas del horno.

11. Comprobación del funcionamiento

Consulte la Guía de uso y cuidado incluida con el horno de pared para ver las instrucciones de funcionamiento y el cuidado y limpieza de su dispositivo.

No toque los quemadores del horno. Pueden tener calor suficiente para provocar quemaduras.

1. Compruebe los ignitores (algunos modelos)

Deberá comprobar el funcionamiento de los ignitores eléctricos después de haber comprobado cuidadosamente que los conectores del horno y la línea de suministro no tengan fugas y de haber conectado el horno a la corriente eléctrica.

2. Sistema ignitor del horno

Cierre la puerta y ajuste la temperatura del horno a 300°F. Al cabo de aproximadamente 60 segundos, el quemador se encenderá y se mantendrá encendido hasta que el horno alcance los 300°F. A continuación, el quemador se encenderá y apagará para mantener una temperatura media de aproximadamente 300°F.

Cuando estén realizadas todas las conexiones

Compruebe que todos los controles y el temporizador programable queden en posición OFF (Apagado).

Vuelva a poner todos los controles en posición "OFF" después de utilizar una operación con temporizador programable.

HORNO DE GAS DE PARED - INSTRUCCIONES DE INSTALACIÓN

Ubicación del modelo y número de serie

La placa de serie se encuentra en la parte izquierda del marco interior del horno.

Al solicitar recambios o hacer consultas sobre su horno de pared, asegúrese siempre de incluir los números de modelo y de serie, así como el número de lote o letra de la placa de serie del dispositivo.

La placa de serie indica también la potencia de los quemadores, el tipo de combustible y la presión para la que se ajustó el horno de pared al salir de fábrica.

ADVERTENCIA

- **Pisar, apoyarse o sentarse sobre la puerta del horno o el cajón puede tener como resultado lesiones graves y causar daños también al dispositivo.**
- **Asegúrese de tener el dispositivo libre de materiales combustibles, gasolina y otros vapores y líquidos inflamables.**

Antes de solicitar servicio técnico

Lea la Lista de comprobación y las instrucciones de limpieza y funcionamiento en su Guía de uso y cuidado.

Compruebe que el fusible de la toma de corriente o el cortacircuitos del horno no estén fundidos o abiertos.

Cuidado, limpieza y mantenimiento de hornos de pared

Si es necesario extraer el horno de pared para su limpieza o mantenimiento, cierre el suministro de gas. Desconecte el suministro de gas y la corriente eléctrica. Retire los tornillos de instalación del bastidor delantero y la moldura inferior. Saque el dispositivo solo lo necesario para desconectar la alimentación eléctrica. Después de desconectar el suministro de gas y la alimentación eléctrica, termine de sacar la unidad para las tareas de servicio y limpieza. Vuelva a instalar el horno siguiendo el orden inverso y asegúrese de que quede nivelado; compruebe que no haya fugas de gas.

INSTRUCTIONS DE MONTAGE DU FOUR À GAZ MURAL

L'INSTALLATION ET L'ENTRETIEN DOIVENT ÊTRE RÉALISÉS PAR UN INSTALLATEUR QUALIFIÉ. IMPORTANT : CONSERVEZ CES INSTRUCTIONS EN PRÉVISION D'UN USAGE ÉVENTUEL PAR L'INSPECTEUR EN ÉLECTRICITÉ DE VOTRE LOCALITÉ. VEUILLEZ LIRE ET CONSERVER CES INSTRUCTIONS POUR VOUS Y REPORTER ULTÉRIEUREMENT.

AVERTISSEMENT Si les directives contenues dans ce guide ne sont pas suivies à la lettre, un feu ou une explosion pourrait se produire et entraîner des dommages matériels, des blessures, voire la mort.

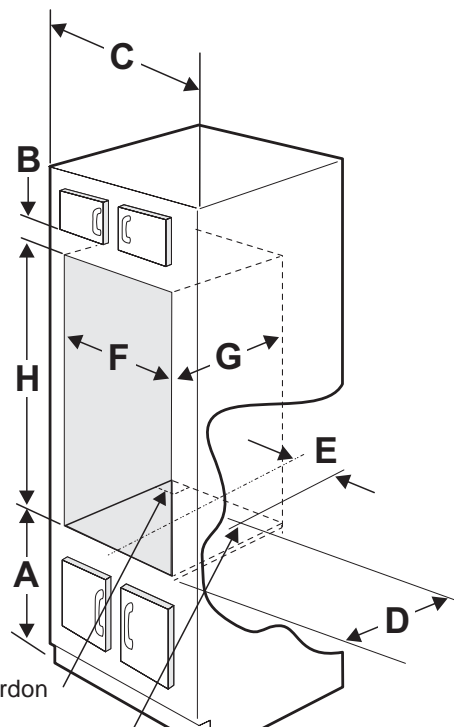
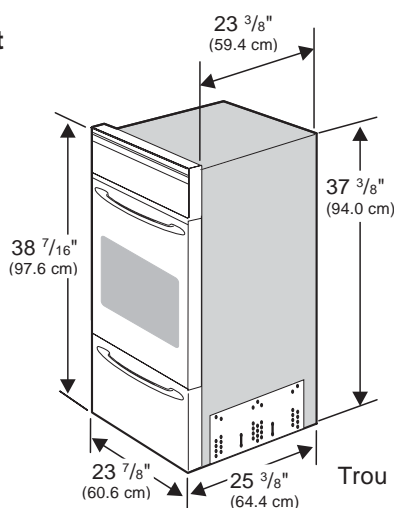
POUR VOTRE SÉCURITÉ :

- Vous ne devez ni entreposer, ni utiliser d'essence ou d'autres vapeurs ou liquides inflammables à proximité de cet appareil ou de tout autre appareil électroménager.
- QUE FAIRE SI VOUS DÉTECTEZ UNE ODEUR DE GAZ :
 - Ne mettez pas d'appareil en marche.
 - Ne touchez à aucun commutateur électrique; ne vous servez pas du téléphone de la maison.
 - En utilisant le téléphone d'un voisin, appelez immédiatement le fournisseur de gaz. Suivez les directives données par votre fournisseur de gaz.
 - Si vous ne pouvez joindre votre fournisseur de gaz, appelez les pompiers.
- L'installation et l'entretien de cet appareil doivent être réalisés par un installateur qualifié, un technicien de service ou le fournisseur de gaz.

Mesures de protection supplémentaires

- Ne jamais installer le four en dessous d'un comptoir de cuisine.
- Le conduit d'évacuation du fourneau ne doit pas être installé à moins de 915 cm (36 po) du plancher.

Prévoir un espace libre d'au moins 540 cm (21¼ po) à l'avant pour l'ouverture complète de la porte.



Perçer un trou de 38,10 mm (1½ po) pour les raccords aux services de gaz

Figure 1

Dimensions de la baie					Mesures de découpe		
A	B	C	D	E	F	G	H
10" Min (25.4 cm Min.)	1 ½" Min. (3.8 cm Min.)	24" Min. (61 cm Min.)	20" (50.8 cm)	7 ⅝" (19.4 cm)	22" (55.9 cm)	23 ½" (59.7 cm)	37 ½" Min. (95.3 Min)
27 ½" Max. (69.9 cm Max.)							38" Max. (96.5 Max.)

INSTRUCTIONS DE MONTAGE DU FOUR À GAZ MURAL

Notes importantes à l'intention de l'installateur

1. Lire toutes les directives contenues dans les instructions de montage avant d'installer l'appareil.
2. Enlever soigneusement tout le matériel d'emballage et toute la documentation des enceintes de four et des compartiments de rangement avant de raccorder le gaz et l'alimentation électrique.
3. Respecter tous les codes et règlements applicables.
4. S'assurer de laisser ces instructions au client.
5. Pour utiliser le four à des altitudes de 610 m (2000 pi) au-dessus du niveau de la mer, réduire les caractéristiques nominales de l'appareil de 4 pour cent pour chaque 305 m (1000 pi) supplémentaire.

Note importante à l'intention du consommateur

Conserver ces instructions avec votre manuel d'entretien et d'utilisation pour vous y reporter ultérieurement.

Conserver ces instructions à l'intention des inspecteurs en électricité ou en gaz.

IMPORTANTES CONSIGNES DE SÉCURITÉ

ATTENTION COUPURE DE COURANT
Ne pas tenter d'allumer le four en cas de coupure de courant. En cas de coupure de courant durant l'utilisation, mettre toutes les commandes en position d'arrêt : « OFF » ou « O ». Le non-respect de cette mesure de sécurité donnera lieu à la remise en marche du four lorsque le courant sera rétabli.

L'installation de ces appareils doit se conformer aux normes locales ou, en l'absence de telles normes, aux codes CSA C22.1 et CAN/CSA-B149.1 au Canada ou à la dernière édition du National Fuel Gas Code, ANSI Z223.1 aux États-Unis.

Ces appareils ont été homologués par le Groupe CSA. Comme pour tous les appareils au gaz qui génèrent de la chaleur, on doit prévoir certaines mesures de sécurité. On les retrouve dans votre manuel d'entretien et d'utilisation, à lire attentivement.

- **Veiller à ce que le four mural soit installé et mis à la terre par un installateur qualifié ou un technicien autorisé et expérimenté.**
- **Ce type de four mural doit être mis à la terre conformément aux normes locales ou, en l'absence de telles normes, au code CSA C22.1 au Canada ou à la dernière édition du National Electrical Code ANSI/NFPA n°70. Voir les consignes de mise à la terre plus loin dans le manuel.**

- L'installation d'appareils ménagers conçus pour l'installation dans les maisons mobiles doivent se conformer aux normes CSA de la série Z240 pour les maisons fabriquées en usine ou de la série Z241 pour les maisons mobiles de parc au Canada, ou aux normes Manufactured Home Construction and Safety Standard Title 24CFR, Part 3280 [auparavant Federal Standard for Mobile Home Construction and Safety, Title 24, HUD, (Part 280)] ou, en l'absence de telles normes, conformément aux normes locales ou à la dernière édition des Standard for Manufactured Home Installation 1982 (Manufactured Home Sites, Communities and Set-Ups), ANSI Z225.1/ NFPA 501-A- des États-Unis.

ATTENTION Ne pas ranger d'articles pouvant intéresser les enfants dans les armoires situées au-dessus de l'appareil. Sinon, les enfants peuvent subir de graves brûlures ou blessures s'ils grimpent sur l'appareil pour attraper ces articles.

- **Ne jamais entreposer, ni utiliser d'essence ou d'autres vapeurs ou liquides inflammables à proximité de cet appareil ou de tout autre appareil ménager.** Risque de provoquer des incendies ou des explosions.
- Retirer tous les éléments d'emballage de l'appareil avant de l'utiliser pour éviter les dommages dus au feu ou à la fumée si ce matériel s'enflamme.
- Ne pas laisser les enfants seuls dans la cuisine lorsque l'appareil fonctionne. Ne jamais les laisser s'asseoir ou se tenir debout sur une partie quelconque de l'appareil; il peut en résulter des brûlures ou d'autres blessures. Empêcher les enfants de toucher la porte ou la fenêtre du fourneau lorsque l'appareil électroménager fonctionne; la porte et la fenêtre peuvent devenir suffisamment chaudes pour causer de graves brûlures.
- Retirer le plateau à griller et autres ustensiles du four avant d'activer le cycle autonettoyant (si le four en est équipé).
- Ne jamais utiliser le four comme rangement. Cela peut créer une situation potentiellement dangereuse.
- L'électroménager nécessite de l'air extérieur pour une combustion adéquate. N'obstruer en aucune circonstance le flux d'air de combustion autour du conduit d'aération, autour de la base ou directement sous le panneau avant de l'appareil. Éviter de toucher les arrivées d'air; ouverture de ventilation; ou les surfaces environnantes; elles peuvent être brûlantes.
- Il est essentiel de se rappeler que votre four n'est pas conçu pour chauffer votre cuisine. Ce type de comportement peut entraîner un incendie, endommager l'appareil et annuler la garantie.

INSTRUCTIONS DE MONTAGE DU FOUR À GAZ MURAL

1. Travaux de menuiserie

Se reporter à la figure 1 pour les dimensions de votre appareil électroménager et les mesures d'espace nécessaire pour accueillir le four. Les coins doivent être d'équerre.

Le meuble sur plancher doit pouvoir supporter 681/32 kg (150 lb) et doit être de niveau avec le bas de l'ouverture.

La surface portante du four doit être fabriquée de contre-plaqué massif ou matériau de même nature. Les panneaux MDF (panneaux de fibres à densité moyenne), panneaux de particules ou de bois lamellé ne doivent pas être utilisés comme châssis support.

2. Raccords électriques du four à gaz mural

Ces appareils doivent être correctement reliés à la terre pour assurer sa propre sécurité.

⚠ AVERTISSEMENT Cet appareil est muni d'une fiche à trois broches avec mise à la terre pour assurer votre protection contre les risques de secousse électrique. Cette fiche doit être branchée directement dans une prise de courant murale avec mise à la terre. Ne pas enlever la broche de mise à la terre de cette fiche.

120 volts, 60 Hertz, terre de circuit dédié protégé par un disjoncteur de 15 ampères ou fusible temporisé.

Ne pas utiliser une rallonge avec cette gamme.

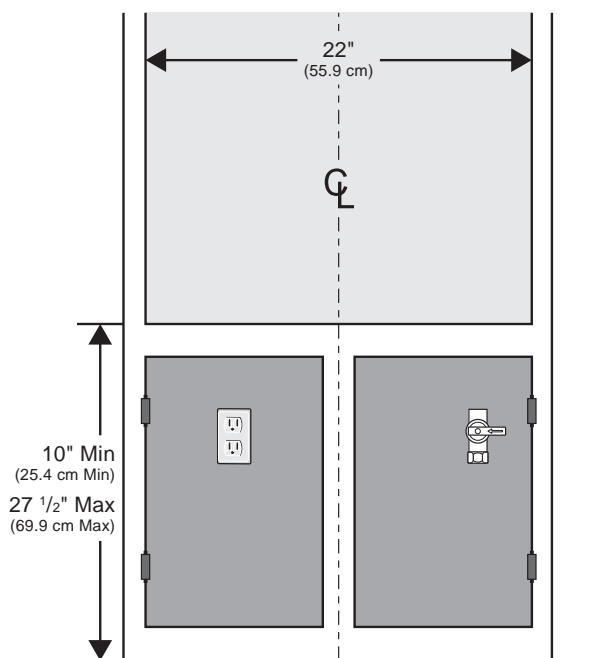


Figure 2

La prise de courant murale doit se retrouver dans l'armoire, en dessous de la découpe de montage. Elle doit être facile d'accès pour l'entretien et pour débrancher l'appareil électroménager (voir la figure 2).

La prise murale et son circuit doivent être inspectés par un électricien autorisé pour en assurer l'installation adéquate de la mise à la terre.

Méthode privilégiée

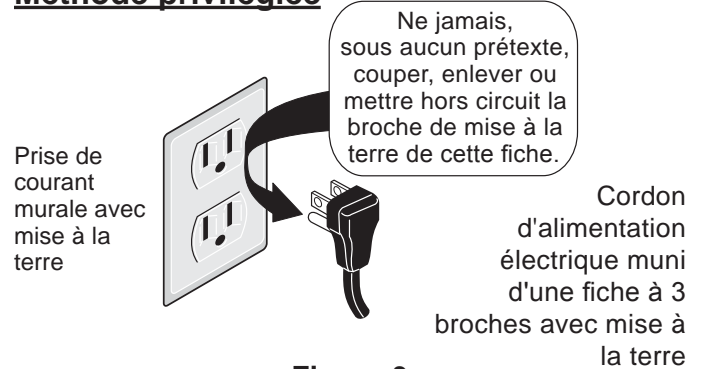


Figure 3

Dans le cas d'une prise de courant murale à 2 broches, le client répond personnellement de sa responsabilité et de son obligation de la remplacer par une prise de courant murale conforme à 3 broches.

Ne jamais, sous aucun prétexte, couper, enlever ou mettre hors circuit la broche de mise à la terre du cordon d'alimentation électrique.

En cas d'utilisation d'une source d'alimentation externe, à l'installation, doit être mis à la terre conformément aux normes locales ou, en l'absence de telles normes au code CSA C22.1 au Canada ou à la dernière édition du National Electrical Code ANSI/NFPA n°70 aux États-Unis.

Examiner soigneusement tous les règlements ou toutes les règles pertinentes de raccord et de branchement du four mural pour confirmer que l'installation est conforme à tous les codes des pays, des états, provinces, territoires, municipaux ou locaux incluant les règlements régissant les services publics locaux.

Le non-respect des conditions ci-dessus peut entraîner des risques de décharge électrique.

Remarque: Tous les raccords et branchements et réglages doivent être effectués par des techniciens qualifiés et habilités à le faire.

⚠ ATTENTION Débrancher le cordon d'alimentation électrique avant d'effectuer l'entretien du four mural.

INSTRUCTIONS DE MONTAGE DU FOUR À GAZ MURAL

3. Autre méthode de construction

Instruction de montage d'un four à 1½ cavité dans une ouverture à 2 cavités dont les dimensions représentent 107 cm (42⅞ po) de haut par 57,150 cm (22½ po) de largeur.

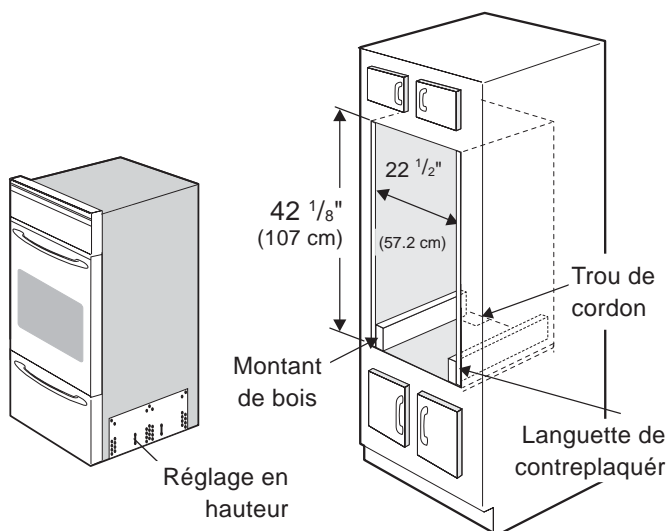


Figure 4

- Si l'ouverture est trop large pour fixer solidement l'appareil à l'armoire à l'aide de vis de montage, ajouter des languettes de contreplaqué.
- Si la hauteur d'ouverture mesure 107 cm (42⅞ po), réduire le réglage en hauteur de 2,540 cm (1 po) (voir section 4) et fixer des montants de bois de 2 x 4 x 22 de chaque côté au bas de l'ouverture (voir figure 4).
- On peut installer une garniture décorative (non illustrée) au bas de l'appareil électroménager pour cacher le trou. Elle doit chevaucher le bas de la découpe sur le devant de l'armoire de 635 mm (¼ po) (voir l'étape 2 à la section 5).

4. Réglage de la hauteur du four

Récupérer la garniture décorative collée sur le côté ou sur le dessus du four et la mettre de côté. La garniture sera fixée au bas sur le devant du four une fois installé dans son armoire.

On doit effectuer un réglage de 38 mm (1½ po) en hauteur sur les modèles avec panneau de rallonge (voir figure 5). Ce réglage et le chevauchement de garniture de 12,70 mm (½ po) permettent l'installation de l'appareil dans des ouvertures de 95,25 à 99,06 cm (37½ à 39 po) de haut.

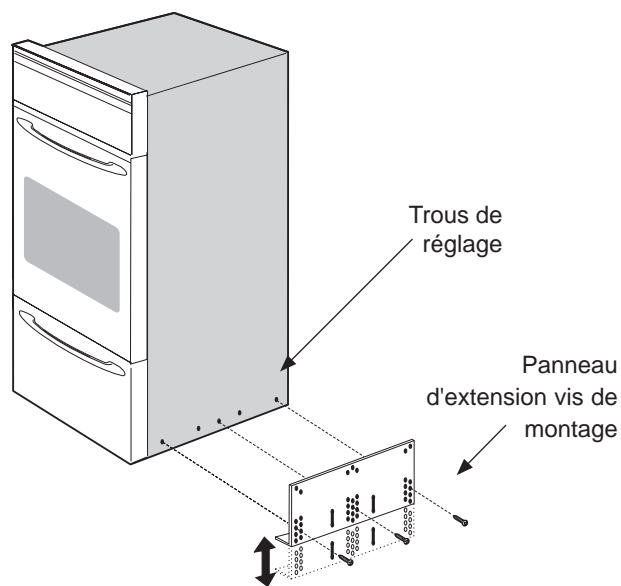


Figure 5

INSTRUCTIONS DE MONTAGE DU FOUR À GAZ MURAL

Réglage de la hauteur du four :

1. Coucher le four sur le dos (voir figure 6).
2. Retirer les 3 vis qui retiennent le panneau de rallonge latéral sur les côtés du bas du four.
3. En déplaçant chaque panneau vers le bas, trouver le positionnement qui allonge la hauteur du four pour cadrer dans l'ouverture. Chaque position ajuste la hauteur du four d'environ 12,70 mm (½ po).
4. Aligner les trous des panneaux de rallonge latéraux aux côtés du four. Replacer les 3 vis.
5. Poursuivre l'installation du four. Remettre en position verticale.

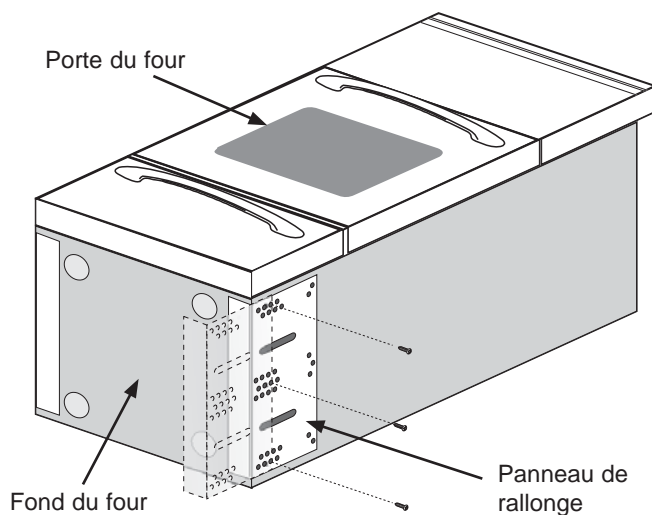


Figure 6

5. Montage de l'armoire

Insérer l'appareil électroménager dans la découpe. Utiliser les 2 vis de montage fournies pour fixer l'encadrement avant de l'appareil à l'armoire (étape 1 ci-après). Mettre les 6 vis de quincaillerie décorative de côté pour fixer la garniture sur l'armoire (étape 2 ci-après). Utiliser les trous de montage sur l'encadrement avant de l'appareil comme modèle pour localiser les trous de montage sur l'armoire.

Pour fixer solidement le four à l'armoire (voir figure 7) :

1. Utiliser les 2 vis de montage fournies pour fixer le four à l'armoire. Les 2 trous se trouvent de chaque côté en dessous de la garniture de finition de la sortie d'air centrale.
2. Installer le panneau décoratif au bas du fourneau à l'aide des 6 vis fournies. Quatre (4) vis sont installées sur le devant du panneau. Deux (2) vis sont installées dans les coins supérieurs du panneau.

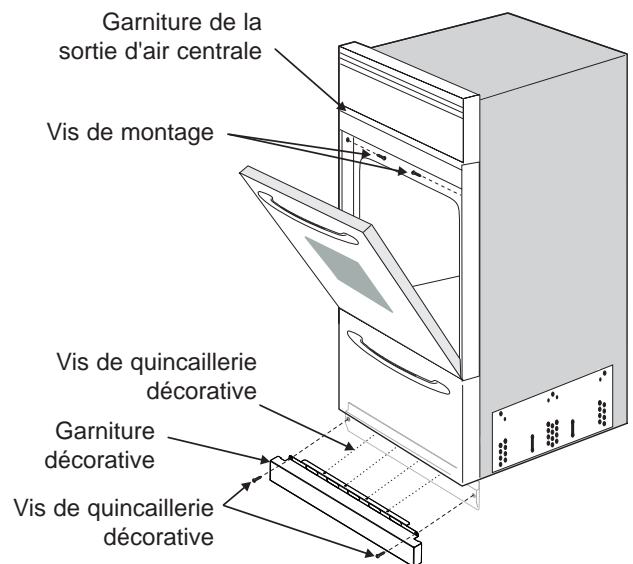


Figure 7

INSTRUCTIONS DE MONTAGE DU FOUR À GAZ MURAL

6. Assurer un niveau adéquat d'approvisionnement en gaz

Important: Lire soigneusement ces instructions avant de raccorder le four à un approvisionnement en gaz.

Ces instructions concernent les fourneaux conçus pour fonctionner au gaz naturel à pression d'admission de 10 cm H₂O (de colonne d'eau [W.C.]) (4 po H₂O) (980,64 Pa) ou au gaz de pétrole liquéfié (propane) à pression d'admission de 25,40 cm H₂O (10 po H₂O) (24 90,82 Pa).

Un régulateur de pression polyvalent est raccordé en série avec la tubulure d'alimentation du four mural; il doit toujours demeurer en série avec la conduite d'alimentation, quel que soit le type of gaz utilisé.

Pour assurer un bon fonctionnement, la pression d'admission maximale du régulateur ne doit pas dépasser les 35,560 cm H₂O (14 po H₂O) (3487,15 Pa).

Pour contrôler le régulateur, la pression d'admission minimale doit être au moins 2,540 cm H₂O (1 po H₂O) (ou 3,4 kPa) plus élevée que le réglage de pression du régulateur. Si le régulateur est réglé pour 10 cm H₂O (4 po H₂O) (980,64 Pa), la pression d'admission doit être d'au moins 12,700 cm H₂O (5 po H₂O) (1245,41 Pa). Si le régulateur est réglé pour 10 cm H₂O (10 po H₂O) (980,64 Pa), la pression d'admission doit être d'au moins 12,700 cm H₂O (11 po H₂O) (1245,41 Pa).

Un robinet d'arrêt manuel doit être installé sur la conduite approvisionnement, à l'extérieur du four, de manière à pouvoir être facilement atteint pour ouvrir ou fermer l'alimentation en gaz. L'emplacement recommandé pour l'installation du robinet d'arrêt est à l'intérieur de l'armoire, en dessous de la découpe de montage (voir figure 8).

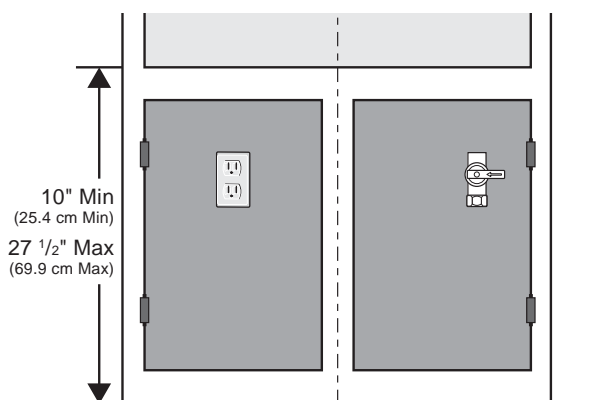


Figure 8

La conduite approvisionnement en gaz doit être fabriquée en tuyau de 1,3 cm (½ po) ou de 1,9 cm (¾ po).

Fermer toutes les ouvertures de la cavité de l'armoire contenant le four. Toutes les ouvertures autour des sorties de gaz doivent être fermées à l'installation.

7. Connection to Gas (see Figure 9)

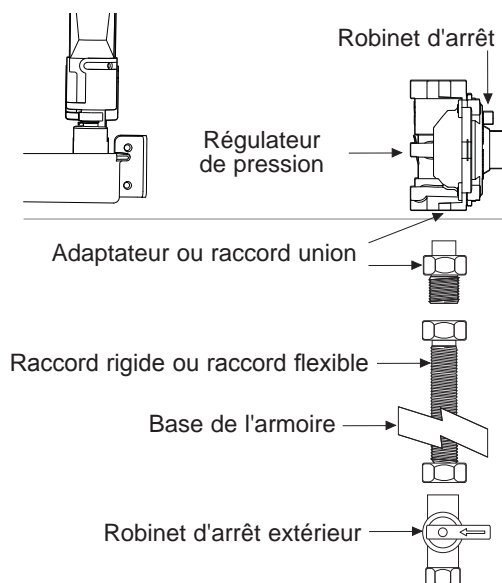


Figure 9

AVANT DE RACCORDER L'APPAREIL

Enlever soigneusement tout le matériel d'emballage et toute la documentation des enceintes de four et de grill avant de raccorder le gaz et l'alimentation électrique.

Enlever le tiroir de rangement en le tirant jusqu'aux butées d'arrêt. Soulever le devant du tiroir au dessus des butées et tirer.

Le régulateur de carburant de cet appareil possède une vanne d'arrêt intégrée. Assurez-vous que la soupape est en position HAUT (voir Figure 10).

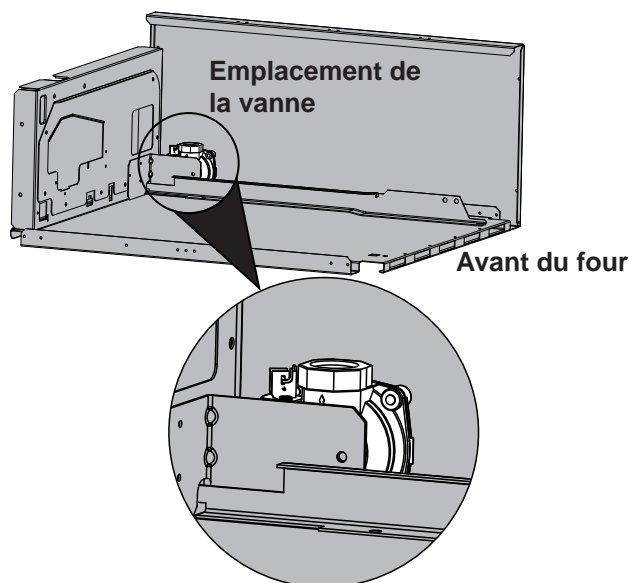


Figure 10a

INSTRUCTIONS DE MONTAGE DU FOUR À GAZ MURAL

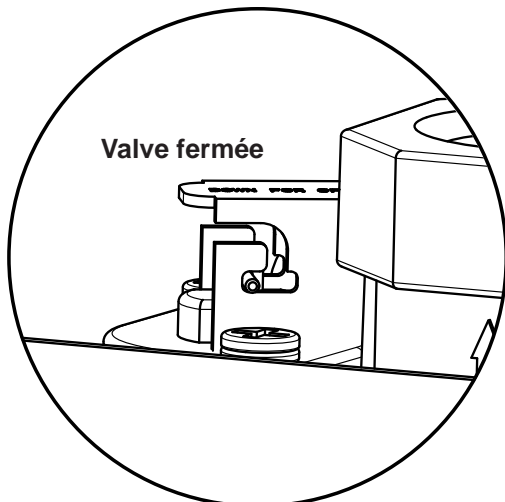


Figure 10b

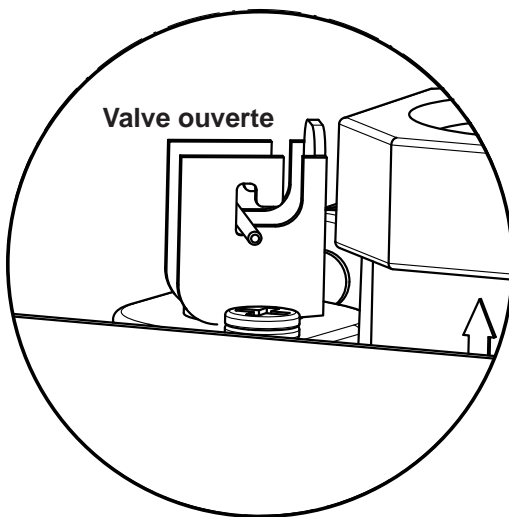


Figure 10c

Confirmer l'absence de fuites. Après avoir raccordé l'approvisionnement en gaz, vérifier avec un manomètre afin de déceler des fuites éventuelles. Si un manomètre n'est pas disponible, éteindre tous les pilotes (si présents), ouvrir l'alimentation en gaz et utiliser un détecteur de fuite liquide pour vérifier l'intégrité de tous les joints et raccords.

Au besoin, **serrer tous les raccords** pour prévenir les fuites de gaz de la conduite d'alimentation ou du four mural.

IMPORTANT: Un produit d'étanchéité résistant à l'action chimique du propane doit être appliqué sur le filetage de tous les raccords de tuyaux.

ATTENTION Ne jamais utiliser de flamme nue pour contrôler l'étanchéité des raccords de gaz. Utiliser une flamme nue peut provoquer un incendie ou une explosion.

Déconnecter le four et son robinet d'arrêt du système de conduites d'approvisionnement en gaz durant tout essai de pression supérieure à 3,447 kPa (½ psig).

Isoler le four mural du système de conduites d'approvisionnement en gaz en fermant le robinet d'arrêt manuel durant tout essai de pression égale à ou moindre que 3,447 kPa (½ psig).

8. Conversion au propane

A. Conversion du régulateur de pression

Remarque: Ne pas retirer le régulateur de pression. Ces modèles ont un élément de grill électrique. Aucun ajustement n'est requis pour cet élément lors de la conversion du type de carburant

Convertir le régulateur de pression au propane (voir Figure 11).

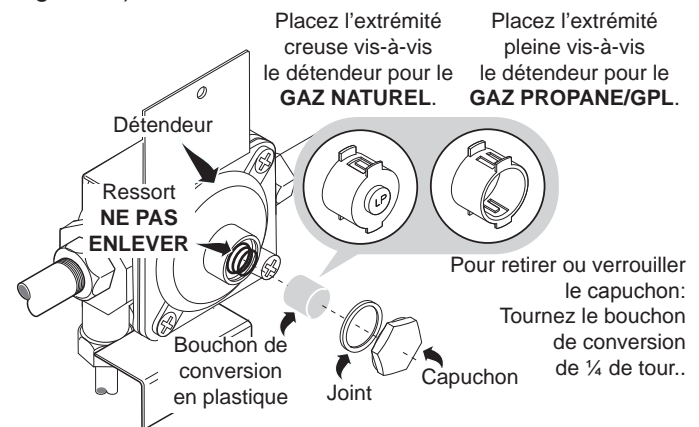


Figure 11

Enlever le tiroir de rangement en le tirant jusqu'aux butées d'arrêt. Soulever le devant du tiroir au dessus des butées et tirer.

Trouver le régulateur de pression au bas du mur arrière et convertir tel qu'illustré à la figure 10.

1. Retirer le bouchon du régulateur de pression.
2. Retirer le piston.
3. Renverser le piston en disposant le bout le plus gros VERS le régulateur.
4. Replacer le piston dans le régulateur. Les lettres LP ou 10" W.C. doivent être visibles sur le bout exposé du piston.
5. Replacer le bouchon du régulateur de pression.

REMARQUE: Le bout du piston indique la pression de réglage du régulateur.

INSTRUCTIONS DE MONTAGE DU FOUR À GAZ MURAL

B. Réglez orifice de brûleur du four (voir Figure 12)

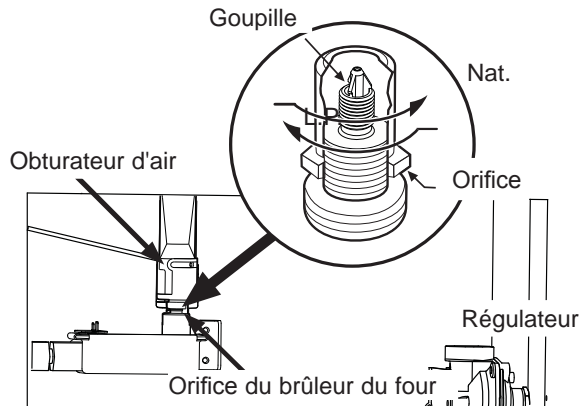


Figure 12

À l'aide d'une clé de 1,3 cm (1/2 po), abaisser orifice réglable qui injecte le gaz dans le brûleur du four. Tourner orifice environ 2 1/2 tours jusqu'à ce qu'il soit bien ajusté contre la goupille de propane. Ne pas trop serrer.

9. Conversion au gaz naturel

Convertir le régulateur de pression au gaz naturel (voir Figure 11)

- Retirer le bouchon du régulateur de pression.
- Retirer le piston.
- Renverser le piston en disposant le bout le plus petit **VERS** le régulateur.
- Replacer le piston dans le régulateur. Les lettres NAT or 4" W.C. doivent être visibles sur le bout exposé du piston.
- Replacer le bouchon du régulateur de pression.
- Tourner orifice environ 2 1/2 tours dans le sens antihoraire. Cela éloigne l'ergot de la goupille.
- Ouvrir les gaz, régler les pilotes (si présents) et l'obturateur d'air du brûleur pour obtenir la flamme idéale.
- Après la conversion, il doit exister une pression d'admission de 10 cm H₂O (de 4 po H₂O) (980,64 Pa) pour un fonctionnement optimal au gaz naturel.

10. Réglages

Le réglage de l'obturateur d'air se retrouve sur le tube de venturi installé sur orifice de soupape; il est verrouillé en place par une vis cruciforme (Phillips). Pour régler l'obturateur d'air, desserrer la vis et tourner l'obturateur pour admettre plus ou moins d'air au brûleur (voir figure 13).

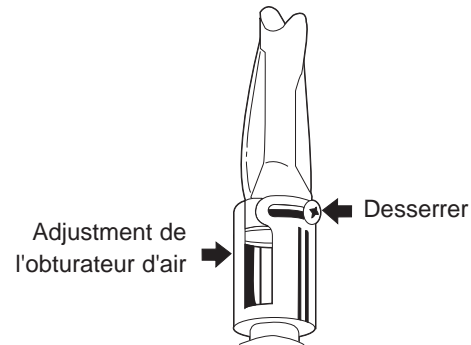


Figure 13

Pour les installations au gaz naturel, l'obturateur d'air doit être environ semi-ouvert. Pour les installations au propane, presque complètement ouvert.

Trop d'air permet à la flamme de s'élever au-dessus du brûleur. Trop peu d'air produit une flamme au pourtour jaunâtre et forme de la suie.

Pour observer la flamme du brûleur pendant les réglages, le fond du four et l'étendeur de flamme doivent être retirés.

- Retirez les deux vis de l'arrière du fond du four. Soulevez le fond du four pour le sortir de la cavité (voir la figure 14a).
- L'épandeur de flammes est relié à deux pattes ou épaulettes et fixé à l'aide de trois vis. Retirez les vis, faites glisser l'épandeur de flamme vers l'arrière et sortez l'épandeur de la cavité du four (voir la figure 14b).

Bien examiner la flamme du brûleur du four pour déterminer si elle est adéquate. Elle doit être stable, présenter un cône bleu d'environ 2,54 cm (1 po) de long et ne doit pas s'étendre au-delà des bords du déflecteur. Pour les installations au propane, cela se produit le plus souvent lorsque l'obturateur est complètement ouvert.

Régler le four à 300 °F (150 °C) et permettre au brûleur d'effectuer un cycle complet (allumé-éteint).

Pour remettre le grilloir ou le tiroir de rangement en place, inverser la procédure d'enlèvement (voir les directives complètes dans le manuel d'entretien et d'utilisation). Replacer les grilles du four.

INSTRUCTIONS DE MONTAGE DU FOUR À GAZ MURAL

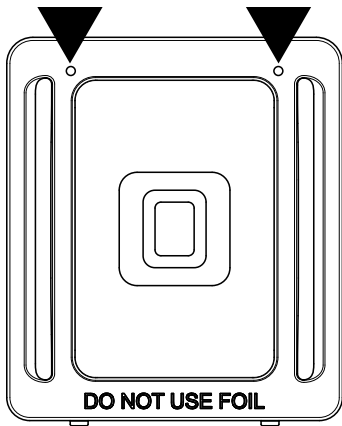


Figure 14a

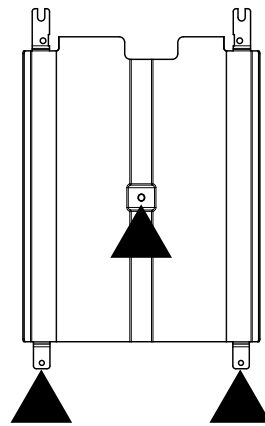


Figure 14b

Emplacement du numéro de modèle et du numéro de série

Le numéro de série se trouve sur la garniture intérieure gauche du four.

Pour commander des pièces ou poser des questions au sujet de votre four mural, veiller à inclure le numéro de modèle et le numéro de série en plus d'un numéro de lot ou la lettre inscrite sur la plaque signalétique de votre appareil électroménager.

La plaque signalétique indique également la puissance thermique des brûleurs, le type de carburant et le réglage de la pression d'admission du four lorsqu'il a quitté l'usine.

11. Check Operation

Se reporter au manuel d'entretien et d'utilisation expédié avec le four mural pour le mode d'emploi et pour le nettoyage et l'entretien de l'appareil électroménager.

Éviter de toucher aux brûleurs de four. Ils peuvent devenir chauds au point de provoquer des brûlures.

1. Contrôler les allumeurs (certains modèles)

Le fonctionnement des allumeurs électriques doit être contrôlé une fois le four et les raccords de la conduite d'alimentation soigneusement vérifiés pour détecter toute fuite et le four raccordé au réseau électrique.

2. Système d'allumage du four

Fermer la porte et régler la température du four à 300 °F (150 °C). Dans environ 60 secondes, le brûleur doit s'allumer et le demeurer jusqu'à ce que le four atteigne les 300 °F. Le brûleur doit ensuite s'allumer et s'éteindre au besoin pour maintenir une température moyenne autour de 300 °F (150 °C).

Une fois tous les raccords et branchements terminés

S'assurer que tous les boutons de commande et les minuteries programmables sont en position d'arrêt : « OFF » ou « O ».

Remettre tous les boutons de commande en position d'arrêt : « OFF » ou « O », après avoir terminé une période de minuterie programmée.

⚠ AVERTISSEMENT

- **S'appuyer sur le four ou s'asseoir sur la porte peut entraîner de graves blessures et endommager l'appareil.**
- **Veiller à ce que l'appareil demeure libre de tout matériel combustible, d'essence et de toute autre liquide ou vapeur inflammable.**

Avant de contacter le réparateur

Lire soigneusement la liste de contrôle pour éviter les demandes de réparation et le mode d'emploi et de nettoyage dans le manuel d'entretien et d'utilisation.

S'assurer que le fusible ou le disjoncteur du four latéral n'est pas grillé ou ouvert respectivement.

Entretien, nettoyage et réparation des fours muraux

S'il est nécessaire d'enlever le four mural pour le nettoyage ou l'entretien, fermer l'approvisionnement en gaz. Démonter la conduite d'alimentation de gaz et débrancher l'alimentation électrique. Retirer les vis d'installation de l'encadrement avant et de la garniture inférieure. Tirer autant que nécessaire pour débrancher l'alimentation électrique. Après avoir démonté la conduite d'alimentation de gaz et débranché l'alimentation électrique, terminer d'enlever l'appareil pour le nettoyage et l'entretien. Remonter en suivant l'ordre inverse et veiller à ce que l'appareil électroménager soit de niveau; vérifier à nouveau l'étanchéité des raccords de gaz.

