

# INSTALLATION INSTRUCTIONS

Advantium®

Built-In Wall Oven

CSB913



MFL59060928\_00

**31-2000354 Rev.0**

03-19 GEA

## Español

For a Spanish version of this manual, visit our Website at [cafeappliances.com](http://cafeappliances.com).

Para consultar una versión en español de este manual de instrucciones, visite nuestro sitio de internet [cafeappliances.com](http://cafeappliances.com).

# Safety Information

## BEFORE YOU BEGIN

Read these instructions completely and carefully.

**IMPORTANT** — Save these instructions for local inspector's use.

**IMPORTANT** — Observe all governing codes and ordinances.

- **Note to Installer** — Be sure to leave these instructions with the Consumer.
- **Note to Consumer** — Keep these instructions with your Owner's Manual for future reference.
- **Skill Level** — Installation of this appliance requires basic mechanical and electrical skills.
- **Completion Time — 1 Hour.**
- Proper installation is the responsibility of the installer. Product failure due to improper installation is not covered under the warranty. See Owner's Manual for warranty information.

**IMPORTANT** — Use this oven only for its intended purpose. Never use the oven for warming or heating a room. Prolonged use of the oven without proper ventilation can be hazardous.

**⚠ CAUTION** For personal safety, remove house fuse or oven circuit breaker before beginning installation to avoid severe or fatal shock injury.

**⚠ CAUTION** For personal safety, the mounting surface must be capable of supporting the cabinet load, in addition to the added weight of the oven and drawer, plus additional oven loads.

## CONTENTS

### Design Information

Models Available .....	2
Product Dimensions and Clearances .....	3
Tools and Parts Required .....	3
Advance Planning .....	3

### Installation Preparation

Electrical Requirements .....	4
Preparing the Opening (Standard) .....	5
Preparing the Opening (Flush Mount) .....	9

### Storage Drawer Preparation

Standard .....	11
Flush .....	11

### Installation Instructions

Step 1, Remove Packaging and Parts .....	12
Step 2, Slide the Oven into the Cutout .....	13
Step 3, Install Bottom Trim .....	13
Step 4, Install Bottom Trim with Accessory Drawer .....	13
Step 5, Install Mounting Screws .....	14
Step 6, Finalize Installation .....	14

## MODELS AVAILABLE

### Café Pro Models:

CSB913P2NS1 – Stainless Steel  
CSB913P3ND1 – Matte Black  
CSB913P4NW2 – Matte White

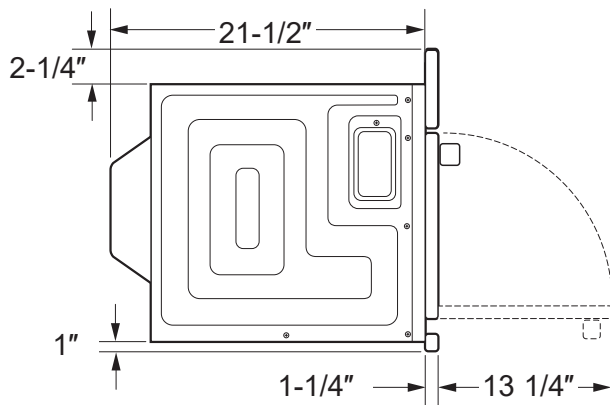
### Café Min Model

CSB913M2NS5 – Stainless Steel

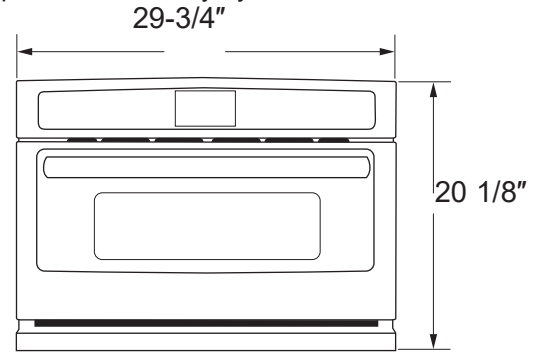
**\*Accessory storage drawer is only available for stainless steel models**

# Design Information

## PRODUCT DIMENSIONS AND CLEARANCES



NOTE: Appearance will vary by model.



## TOOLS AND PARTS REQUIRED (NOT SUPPLIED)

- #2 Phillips screwdriver
- Hand-held drill
- High speed drill bit, 3/32" diameter
- 3/8" slot-head screwdriver
- Level
- Saw
- 3/8" min. plywood for floor (if required)
- Wood screws or other hardware for installing runner or shelf to support oven (if required)
- Safety glasses or goggles

## ADVANCE PLANNING

- These ovens may be installed directly into a 30" wide oven cabinet with standard installation.
- Cutout height dimensions are different for installations with an accessory storage drawer. Make sure to use the correct cutout when preparing the opening.
- Allow for clearance to adjacent corners, walls, drawers, etc.
- Cabinets installed adjacent to wall ovens must have an adhesion spec of at least 194°F temperature rating.

The oven must be securely installed in a cabinet that is firmly attached to the house structure. Weight on the oven door could cause the oven to tip and result in injury. Never allow anyone to climb, sit, stand or hang on the oven door.

If installing the drawer accessory, the drawer must be assembled to the oven prior to installation into the cabinet. See the **Accessory Storage Drawer Assembly Instructions**.

## FLUSH MOUNT INSTALLATION

This installation method allows for the unit face to be inline with the cabinet face.

**IMPORTANT: HIGH SKILL LEVEL IN CARPENTRY IS REQUIRED. Non-standard cabinetry may be required.**

Flush installation of the oven will lead to the exposure of the cabinet face frame edges.

Side cleats may be visible and should be a finished surface.

# Installation Preparation

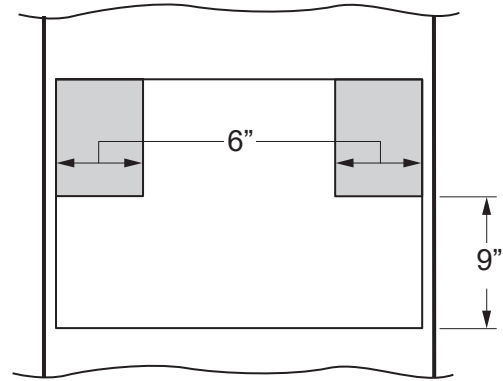
## ELECTRICAL REQUIREMENTS

### Single Advantium Built-In Oven Installation:

This product requires a 120-volt, 60 Hz, 15-amp circuit and draws 1.8 kilowatts. This product must be connected to a supply circuit of the proper voltage and frequency.

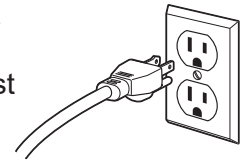
- Wire size must conform to the requirements of the National Electrical Code or the prevailing local code for this kilowatt rating.
- The power supply cord and plug should be brought to a separate 15 or 20 ampere branch circuit single grounded receptacle. The outlet box should be located within reach of the 48" power cord.

## ELECTRICAL LOCATION



Locate outlet box in the shaded area

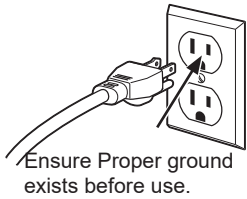
Install a recessed electrical outlet in the back wall of the opening within 6" of either side and at least 9" above the cutout floor.



## GROUNDING INSTRUCTIONS

### ⚠ WARNING

Improper use of the grounding plug can result in a risk of electric shock.



Ensure Proper ground exists before use.

This appliance must be grounded. In the event of an electrical short circuit, grounding reduces the risk of electric shock by providing an escape wire for the electric current.

This appliance is equipped with a power cord having a grounding wire with a grounding plug. The plug must be plugged into an outlet that is properly installed and grounded.

Consult a qualified electrician or service technician if the GROUNDING INSTRUCTIONS are not completely understood, or if doubt exists as to whether the

appliance is properly grounded.

If the outlet is a standard 2-prong wall outlet, it is your personal responsibility and obligation to have it replaced with a properly grounded 3-prong wall outlet.

Do not under any circumstances cut or remove the third (ground) prong from the power cord.

Do not use an extension cord. If the power cord is too short, have a qualified electrician or service technician install an outlet near the appliance.

For best operation, plug this appliance into its own electrical outlet to prevent flickering of lights, blowing of fuse or tripping of circuit breaker.

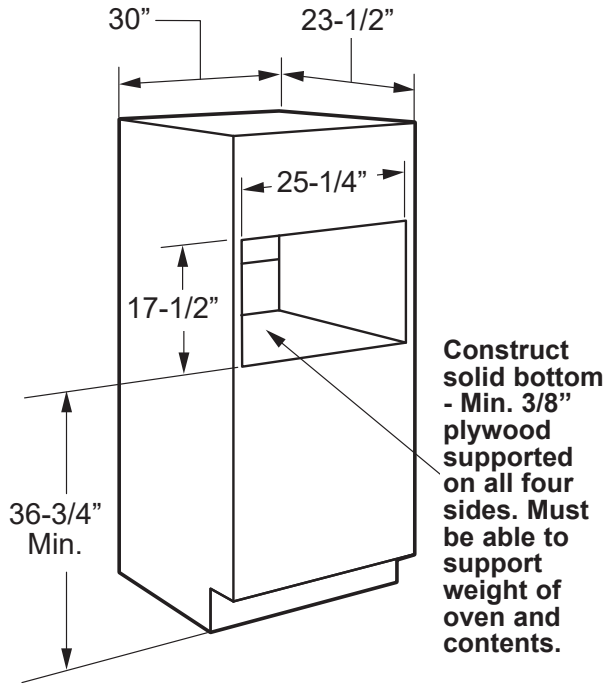
# Standard Installation Preparation

## PREPARE THE OPENING

Advantium Built-In Oven can be installed in combination with other Built-In appliances. Always follow each product's Installation Instructions to complete the installation.

### Single Advantium Built-In Oven Installation:

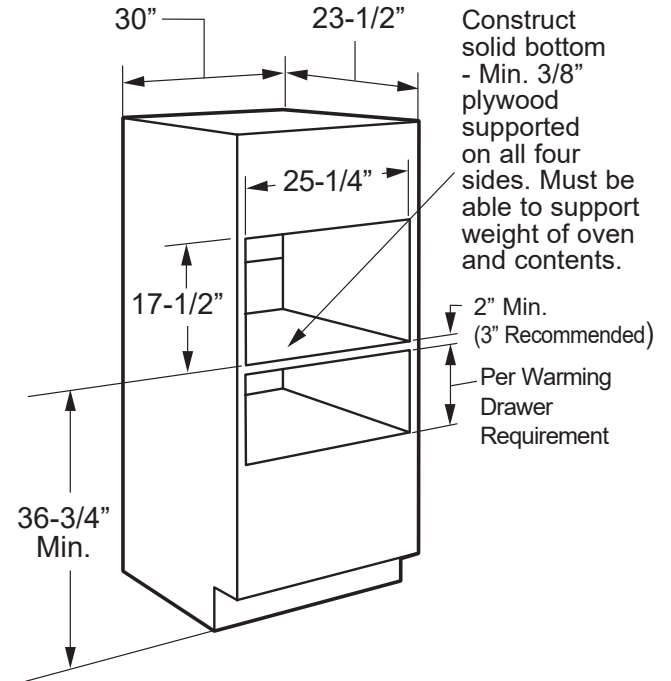
Order a 30" wide single oven cabinet or cut the opening in a wall to the dimensions shown.



- Allow 2-1/4" case trim overlap at the top and 1" overlap on the bottom and 2-1/4" overlap for each side of the opening.
- Oven overlaps will conceal cut edges on all sides of the opening.  
When installed over a single oven or a warming drawer, allow at least 2" between the two openings. This separation will provide clearance for bottom overlap of the Advantium 120 and the other appliance overlaps.
- The support must be level and rigidly mounted, flush with the bottom edge of the cutout.

## PREPARE THE OPENING (CONT.)

### Installation over a Warming Drawer:

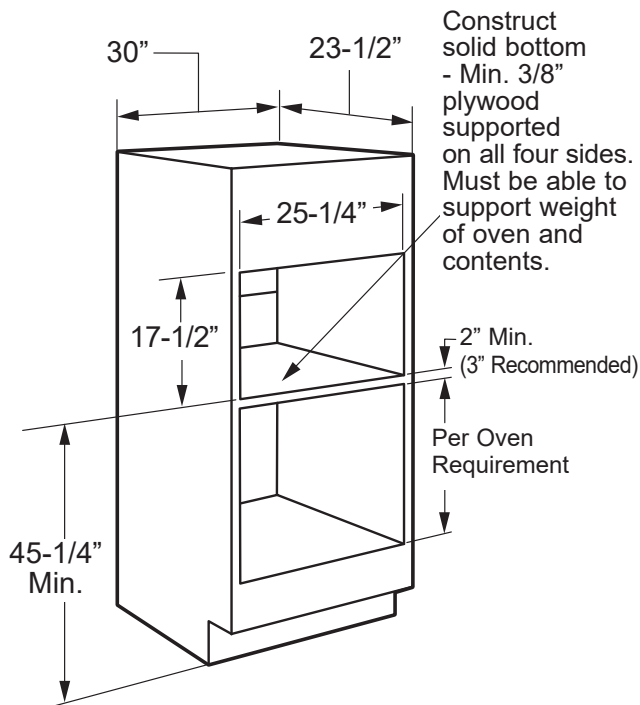


**NOTE:** Additional clearances between the cutouts may be required. Check to be sure the oven supports above the Warming Drawer location does not obstruct the required interior depth and height. See Warming Drawer installation instructions for details.

# Standard Installation Preparation

## PREPARE THE OPENING (CONT.)

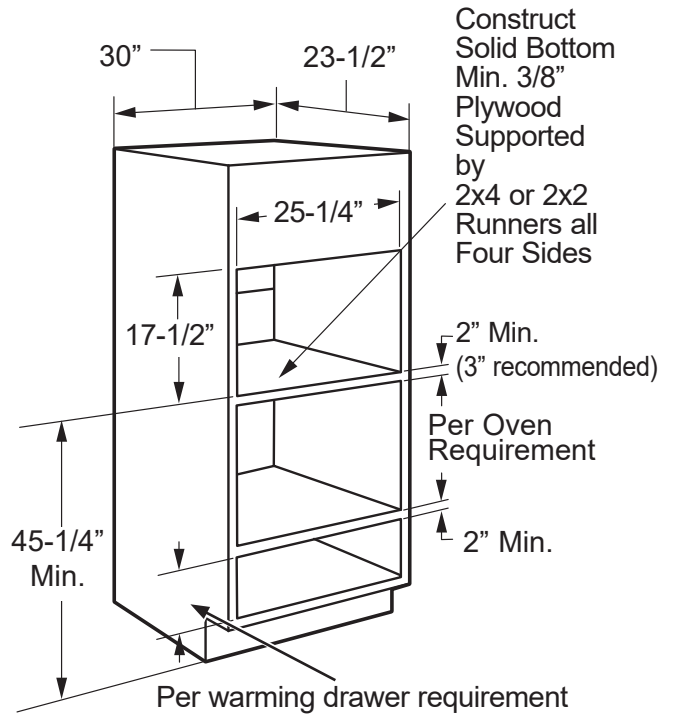
### Installation over a Wall Oven:



- If you are replacing an electric double oven with the combined installation of an Advantium Built-In Oven and a single oven, use the dimensions shown. The middle rail separating the two openings may need to be larger than the 2" minimum shown.

## PREPARE THE OPENING (CONT.)

### Installation over a Wall Oven and Warming Drawer:



**NOTE:** Additional clearances between the cutouts may be required. Check to be sure the oven supports above the Warming Drawer location does not obstruct the required interior depth and height. See Warming Drawer installation instructions for details.

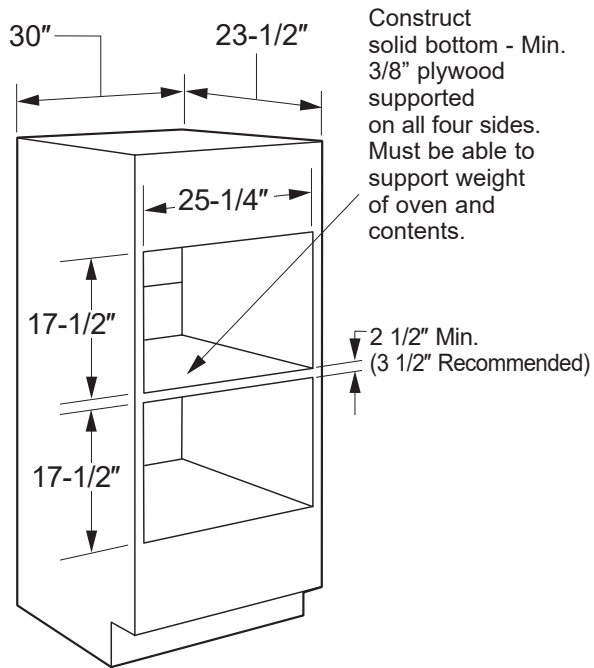
### CAUTION

For personal safety, the mounting surface must be capable of supporting the cabinet load, in addition to the added weight of the oven and drawer, plus additional oven loads.

# Standard Installation Preparation

## PREPARE THE OPENING (CONT.)

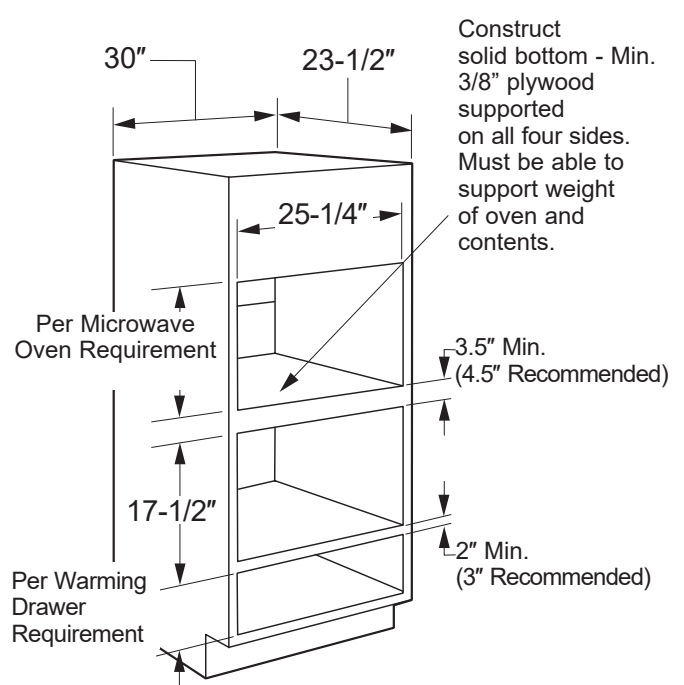
Installation over another Advantium Built-In Oven:



- If you are mounting a GE Appliances Appliances/ Monogram Built-In Advantium Oven over another, use the dimensions shown. The middle rail separating the two openings may need to be larger than the 2" minimum shown.

## PREPARE THE OPENING (CONT.)

Installation under a Microwave Oven and over a Warming Drawer:



**NOTE:** Additional clearances between the cutouts may be required. Check to be sure the oven supports above the Warming Drawer location do not obstruct the required interior depth and height. See Warming Drawer installation instructions for details.

### CAUTION

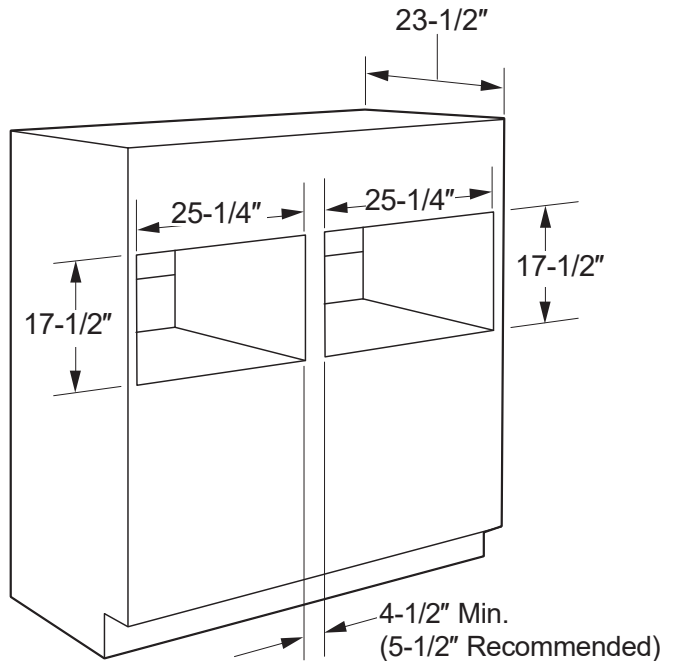
For personal safety, the mounting surface must be capable of supporting the cabinet load, in addition to the added weight of the oven and drawer, plus additional oven loads.

# Standard Installation Preparation

## PREPARE THE OPENING (CONT.)

### Installation beside another Advantium Built-In Oven:

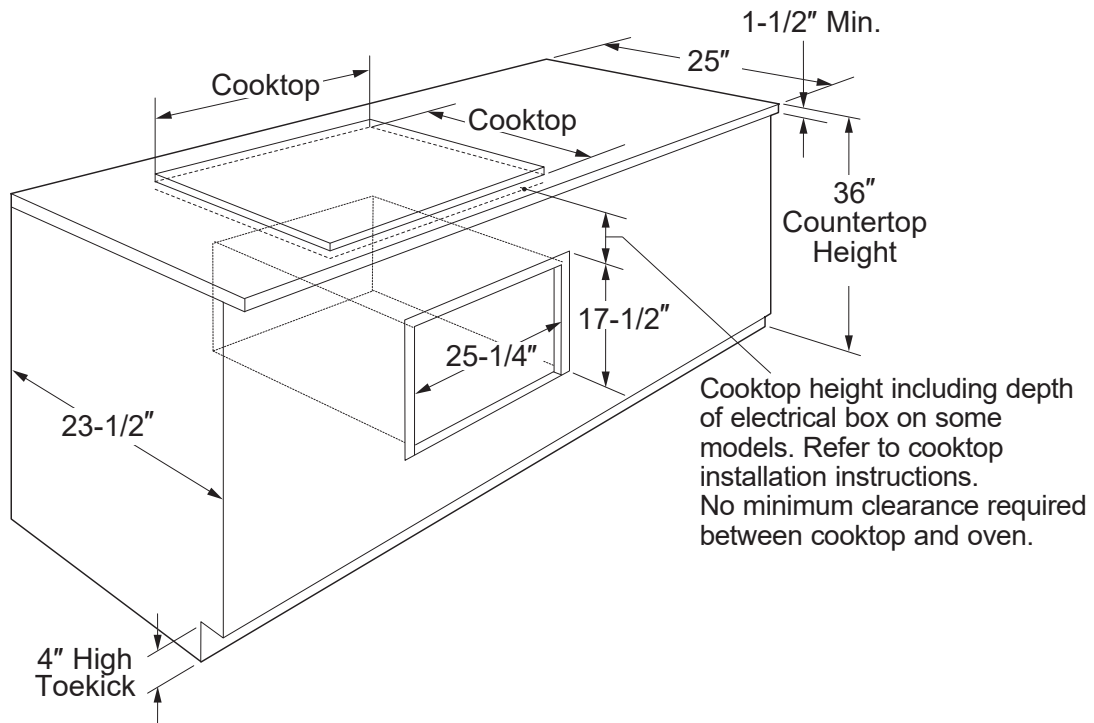
- If you are mounting an Advantium Built-In Oven beside another, use the dimensions shown. The middle rail separating the two openings may need to be larger than the 4-1/2" minimum shown.



## PREPARE THE OPENING (CONT.)

### Installation under an Advantium 30" or 36" Cooktop or Countertop:

Gas or electric cooktops may be installed over this oven. See cooktop installation instructions for the cutout size. See the label on top of the oven for approved cooktop models. This oven requires a separate, properly grounded 15-Amp, 120-Volt, 60Hz power supply. The cooktop requires a separate power supply. Use a 36" or wider base cabinet.





# Flush Mount Installation Preparation

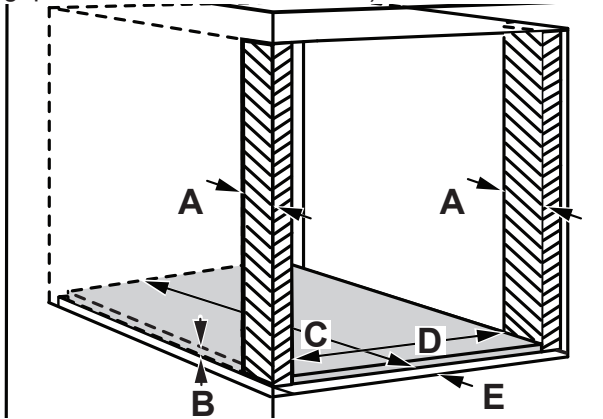
## PREPARE THE INTERIOR

### Cut and install side cleats:

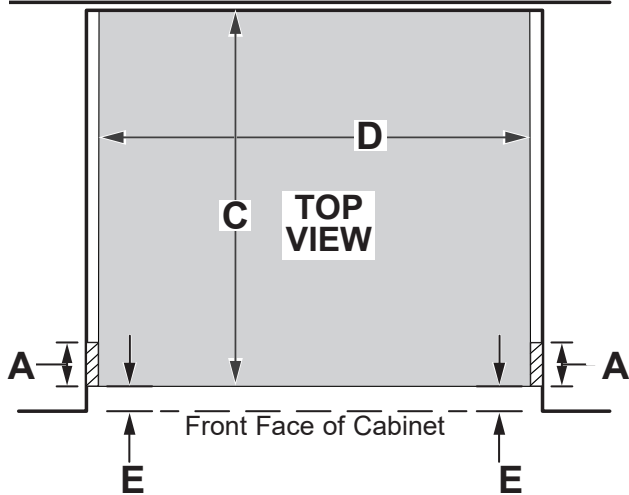
- Cut side wood cleats to height of cabinet opening and approx. 2-1/2" in depth. Install, on each side, 1-3/8" from the front face of the cabinet.

### Cut and install bottom cleat:

- Cut bottom wood cleat to a height of 1-1/8", a depth of the cabinet **minus** 1-3/8" and a width of 25-1/4" to fit between side cleats. Install onto the cabinet floor between the side cleats, push it all the way back against cabinet wall and make sure its front face aligns with the front faces of the side cleats (1-3/8" gap from the front cabinet face).



A	Side cleats depth	2-1/2" min.
B	Bottom cleat height	1-1/8"
C	Bottom cleat depth	Cabinet depth minus 1-3/8"
D	Bottom cleat width	25-1/4"
E	All three cleats	1 1/4"

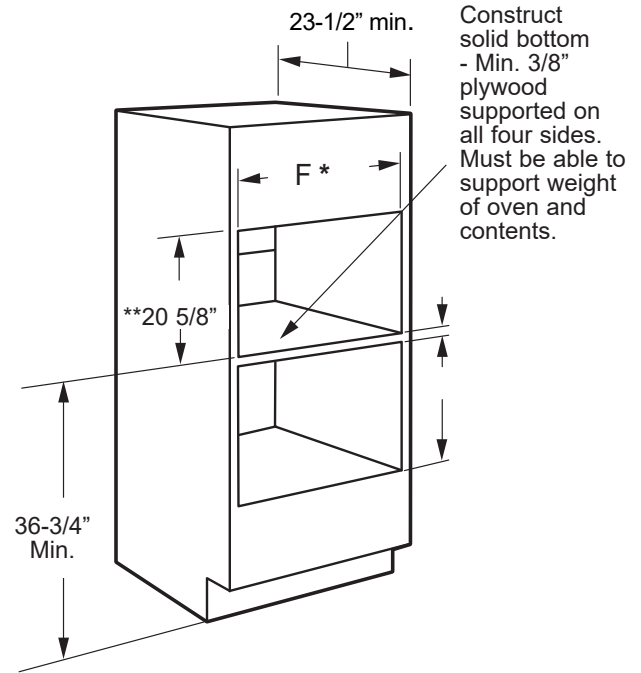


## PREPARE THE OPENING

The Advantium Built-In Oven can be installed in combination with other Advantium Built-In ovens. Always follow each product's Installation Instructions to complete the installation.

### Single Advantium Built-In Oven Installation:

Cut the opening in a cabinet to the dimensions shown.



- The support must be level and rigidly mounted, flush with the bottom edge of the cutout.

Approved Flush Installation	Dimension F	
	1/8" Reveal	1/4" Reveal
Single Advantium	30"	30-1/4"
Over Warming Drawer	30"	30-1/4"
Over Oven	30"	30-1/4"
Over Oven and Warming Drawer	30"	30-1/4"
Over Advantium Built-In Oven	30"	30-1/4"
Double Advantium (side by side)	See page 10	
Under Cooktop or Countertop	See page 10	

\*\* Top and bottom reveals are set to 1/8".

# Flush Mount Installation Preparation

## PREPARE THE OPENING

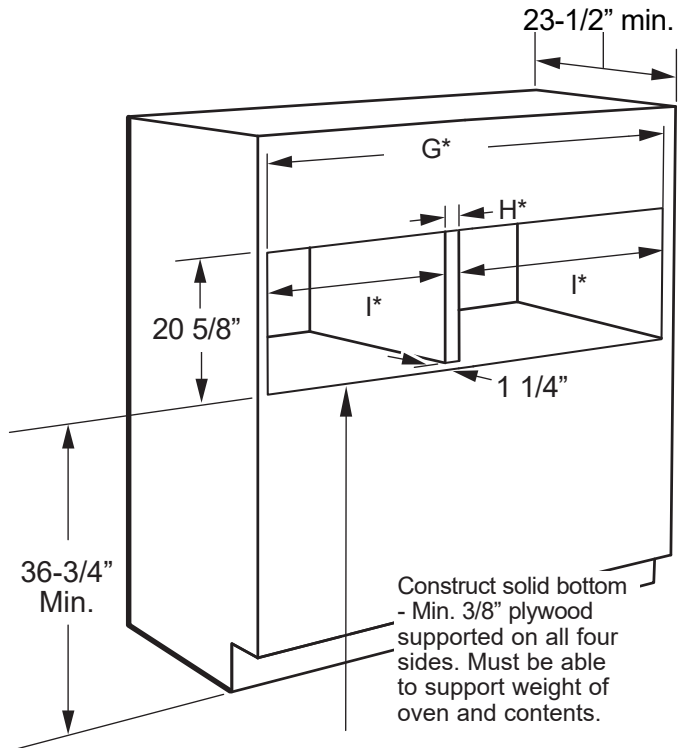
The Advantium Built-In Oven can be installed beside another Advantium Built-In Oven in a side-by-side combination.

### Double Advantium Built-In Oven Installation:

Cut the opening in a cabinet to the dimensions shown.

- Center divider acts as cleat for side of each respective unit. Only one additional side cleat needed per oven cutout.
- The support must be level and rigidly mounted, flush with the bottom edge of the cutout.

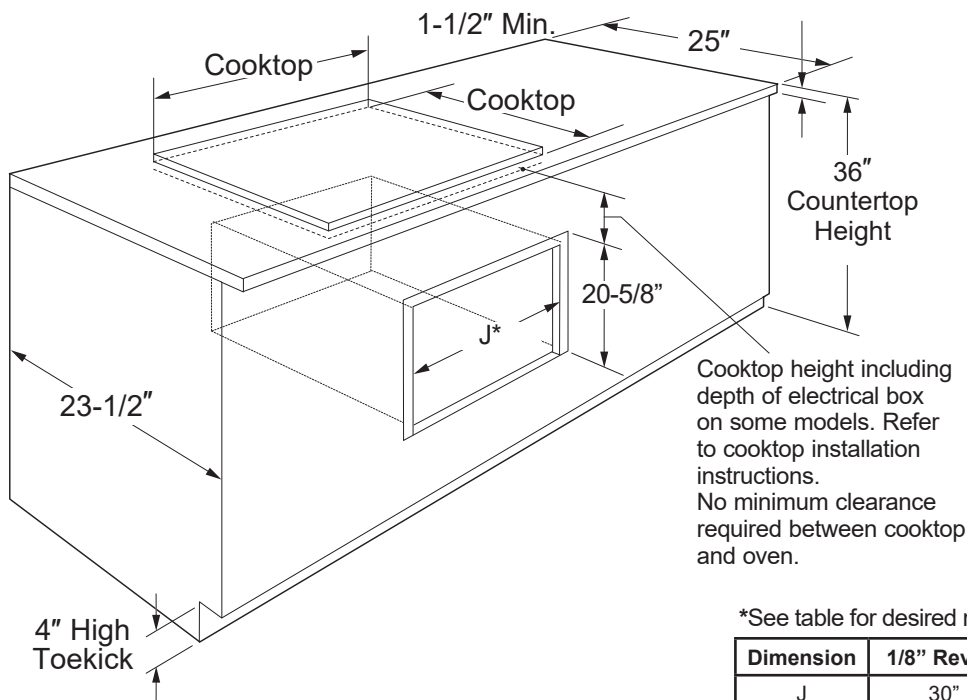
Dimension	1/8" Reveal	1/4" Reveal
G	59-7/8"	60-1/4"
H	5-1/8"	5-1/4"
I	27-3/8"	27-1/2"



## PREPARE THE OPENING

### Installation under an Advantium 30" or 36" Cooktop or Countertop:

Gas or electric cooktops may be installed over this oven. See cooktop installation instructions for the cutout size. See the label on top of the oven for approved cooktop models. This oven requires a separate from the cooktop, properly grounded 15-Amp, 120-Volt, 60Hz power supply. Use a 36" or wider base cabinet.



Dimension	1/8" Reveal	1/4" Reveal
J	30"	30-1/4"

# Installation Preparation

## Preparation with an Accessory Storage Drawer

As needed, see the Standard Mount Installation Preparation OR Flush Mount Installation Preparation for configuration details. Note the modified cutout height below.

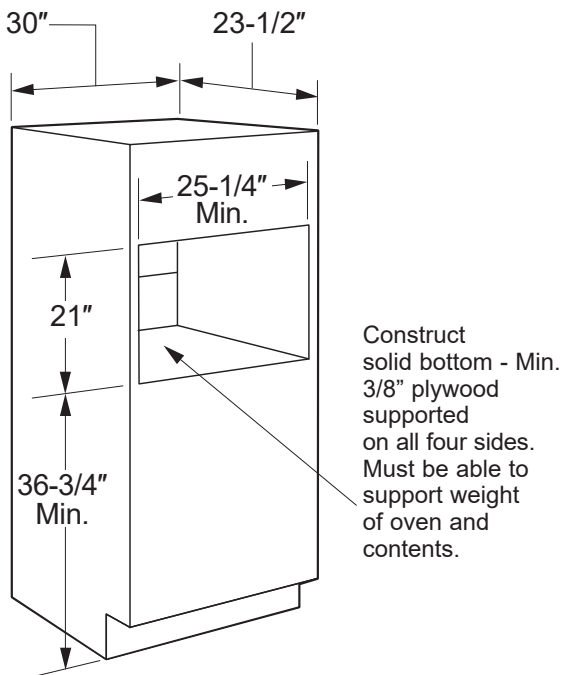
### PREPARE THE OPENING (cont.)

The Advantium Built-In Oven can be installed in combination with other GE Appliances/Monogram appliances. Always follow each product's Installation Instructions to complete the installation.

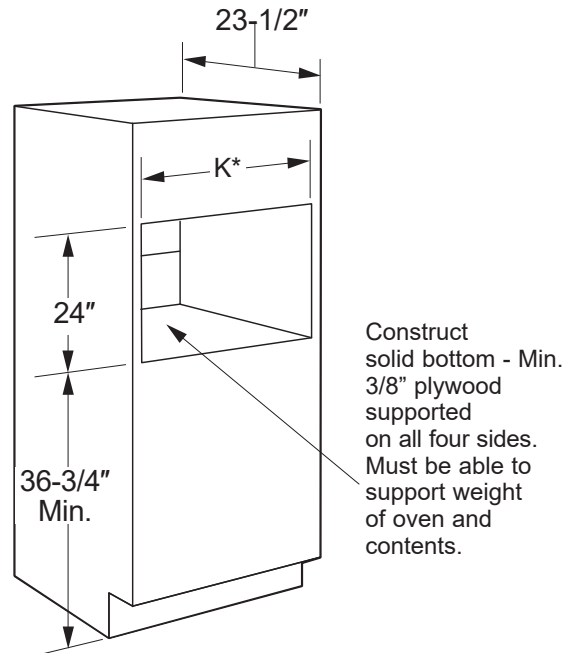
#### Single Advantium Built-In Oven Installation:

Order a 30" wide single oven cabinet or cut the opening in a wall to the dimensions shown.

#### STANDARD MOUNT:



#### FLUSH MOUNT:



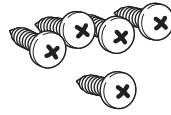
Dimension	1/8" Reveal	1/4" Reveal
K	30"	30-1/4"

- Allow 2-1/8" case trim overlap on the sides, 2 1/4" overlap on the top and 1" overlap on the bottom of the opening for all models.
- Oven overlaps will conceal cut edges on all sides of the opening.
- When installed over a single oven or a warming drawer, allow at least 2" between the two openings. This separation will provide clearance for bottom overlap of the Advantium Built-In Oven and the other appliance overlaps.
- The support must be level and rigidly mounted, flush with the bottom edge of the cutout.

# Installation Instructions

## 1 REMOVE THE PACKAGING AND PARTS

- Remove all packing material and tape.
- Locate parts package containing mounting screws.
- Remove the oven from the carton. Do not lift unit by handle or conduit. Two people are required to lift this oven.
- Open the door and remove any packaging in oven.



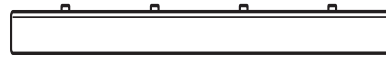
5 Color-Matched Screws  
(4 required, 1 extra)



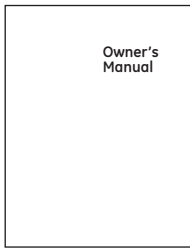
8 Brass Screws for the  
Bottom Trim  
(3 required, 5 extra)



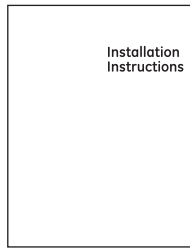
Flat-Head Screws (4 extra)



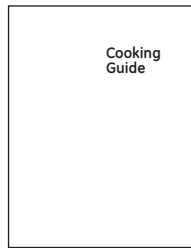
Bottom Trim



Owner's Manual



Installation  
Instructions



Cooking Guide



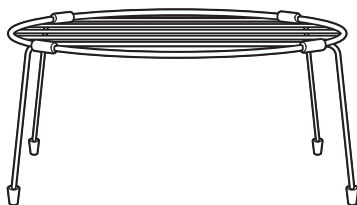
Glass Tray



Turntable Ring



Metal Trays (2)



Rack

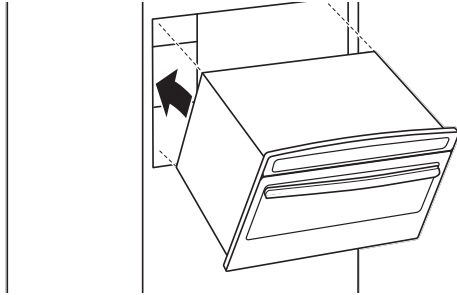
**IMPORTANT:** If installing the Advantium Built-In Oven with an accessory storage drawer, read the storage drawer assembly instructions to assemble the products together before proceeding to Step 2.

# Installation Instructions

## 2 SLIDE THE OVEN INTO THE CUTOUT

### ⚠ CAUTION

Two people are required to lift the oven into the opening. Grasp the bottom at front and rear. **DO NOT USE THE HANDLE TO LIFT THE OVEN. DAMAGE WILL OCCUR.**

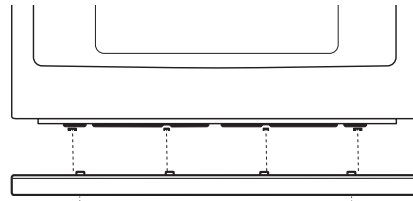


- Lift and hold the oven at the front of the opening. Hold the oven at an angle and plug in the power cord.
- Carefully, slide the oven into the cabinet part way. Leave the oven a few inches forward of the cabinet frame.
- Check to be sure the power cord is not trapped under the oven or along the sides of the oven.

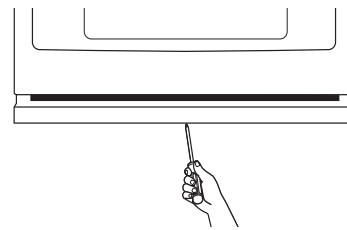
## 3 INSTALL BOTTOM TRIM

**NOTE:** If installing the Advantium Built-In Oven with an accessory storage drawer, the bottom trim is not required. Proceed to Step 5.

- **Installation Below or Above 36"**, align trim tabs on the trim to slots in the bottom of the oven.
- Align bottom trim tabs to slots in the bottom of the oven.

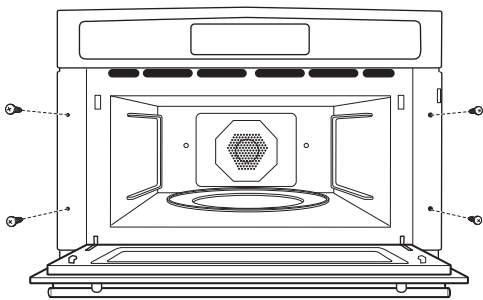


- Secure the bottom trim to the bottom of the oven using 3 screws provided.



# Installation Instructions

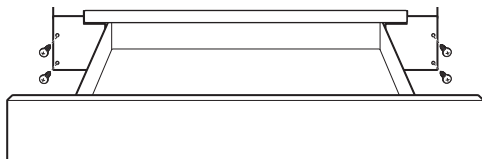
## 4 INSTALL MOUNTING SCREWS



- Slide the oven the remaining way into the opening so that the side flanges and control panel are against the cabinet frame. Make sure that the oven is centered in the opening.
- Open the door, place a turntable tray in the oven and make sure that the tray in the unit is level.
- Drill pilot holes through the side flanges.
- Drive the color-matched screws into the side flanges. It is recommended that the screws be hand tightened.

### If installing oven with an accessory storage drawer:

- Open the drawer.
- Drill pilot holes through the side flanges.
- Drive color-matched screws into the side flanges. It is recommended that the screws be hand tightened.



## 5 FINALIZE INSTALLATION

- Turn power on at the source. The interior light should come on when the door is opened.
- Refer to Owner's Manual for operating instructions.

# Notes

---

**NOTE:** While performing installations described in this book, safety glasses or goggles should be worn.

**NOTE:** Product improvement is a continuing endeavor at GE Appliances. Therefore, materials, appearance and specifications are subject to change without notice.



**GE APPLIANCES**