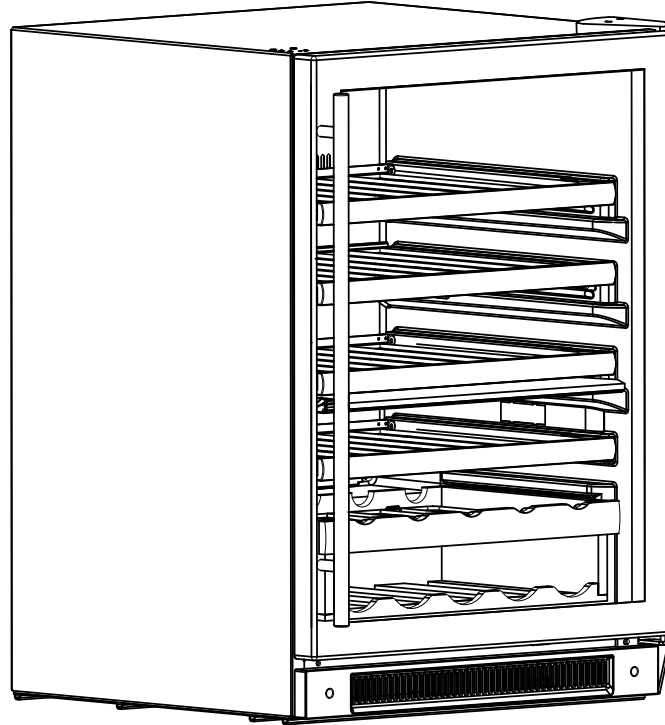


## Dual Compartment Flex – Zone Wine Cellar

---



**WC200GS**

**User Manual**  
**Model # WC200GS\***

---

**Haier**

Quality • Innovation • Style

# IMPORTANT SAFEGUARDS

**When using this appliance, always exercise basic safety precautions, including the following:**

1. **Read all of the instructions before using this appliance.**
2. Use this appliance only for its intended purpose as described in this use and care guide.
3. This wine cellar must be properly installed in accordance with the installation instructions before it is used. See grounding instructions in the installation section.
4. Never unplug your wine cellar by pulling on the power cord. Always grasp the plug firmly and pull straight out from the outlet.
5. Unplug your wine cellar before cleaning or before making any repairs. **Note:** If for any reason this product requires service, we strongly recommend that a certified technician performs the service.
6. Repair or replace immediately, all electric power cords that have become frayed or otherwise damaged. Do not use a cord that shows cracks or abrasion damage along its length, the plug or the connector end.
7. **This appliance is designed for freestanding installation or built-in to an enclosed cabinet.**
8. If your old wine cellar is not being used, we recommend that you remove the door and leave the shelves in place. This will reduce possibility of danger to children.
9. Do not operate your wine cellar in the presence of explosive fumes.
10. Do not store foods in wine cellar as interior temperature may not be cool enough to prevent spoilage or may cause bacteria growth.
11. **Cabinet edges along stamp/cut-out areas may be sharp. Please avoid placing hands, fingers, or other appendages near these areas.**
12. **This appliance is not intended for use by young children or infirm persons without supervision. Young children be supervised to ensure they do not play with the appliance.**
13. **CAUTION: DON'T USE EXTENSION CORDS.**

## SAVE THESE INSTRUCTIONS

# DANGER

**Risk of child entrapment. Before you throw away your old wine cellar, take off the doors. Leave the shelves in place so that children may not easily climb inside**

Thank you for using our Haier product. This easy-to-use manual will guide you in getting the best use of your wine cellar.

Remember to record the model and serial number. They are on a label in back of the wine cellar.

---

Model number

---

Serial number

---

Date of purchase

Staple your receipt to your manual. **You will need it to obtain warranty service.**

# Table Of Contents

	<b>PAGE</b>
<b>Important Safeguards</b> .....	<b>1</b>
<b>Parts And Features</b> .....	<b>4</b>
<b>Installing Your Wine Cellar</b> .....	<b>5</b>
Unpacking Your Wine Cellar .....	<b>5</b>
Leveling Your Wine Cellar .....	<b>5</b>
Installation Limitations .....	<b>5</b>
Electrical Requirements .....	<b>6</b>
Use of Extension Cords .....	<b>6</b>
Door Reversal .....	<b>7</b>
<b>Wine Cellar Features And Use</b> .....	<b>9</b>
Initial Set Up .....	<b>9</b>
Flex-Temperature Zone .....	<b>9</b>
Temperature Adjustment .....	<b>9</b>
Volume Adjustment.....	<b>10</b>
The Illustration of Wine Storage .....	<b>10</b>
Sabbath mode.....	<b>10</b>
Shelving .....	<b>11</b>
Interior Light .....	<b>11</b>
Power Button .....	<b>11</b>
Normal Operating Sounds .....	<b>11</b>
<b>Proper Wine Cellar Care and Cleaning</b> .....	<b>12</b>
Cleaning and Maintenance .....	<b>12</b>
Power Interruptions .....	<b>12</b>
Vacation and Moving Care .....	<b>12</b>
<b>Troubleshooting</b> .....	<b>13</b>
<b>Warranty Information</b> .....	<b>14</b>



# Installing Your Wine Cellar

## Unpacking Your Wine Cellar

1. Remove all packaging material. This includes the foam base and all adhesive tape holding the wine cellar accessories inside and outside.
2. Inspect and remove any remains of packing, tape or printed materials before powering on the wine cellar.

## Leveling Your Wine Cellar

- Your wine cellar has four leveling legs which are located in the front and rear corners of your wine cellar. After properly placing your wine cellar in its final position, you can level your wine cellar.
- Leveling legs can be adjusted by turning them clockwise to raise your wine cellar or by turning them counterclockwise to lower your wine cellar. The wine cellar door will close easier when the leveling legs are extended.

**Note:** If your wine cellar has been tilted for any reason, wait 24 hours before plugging it in.

## Install Limitations

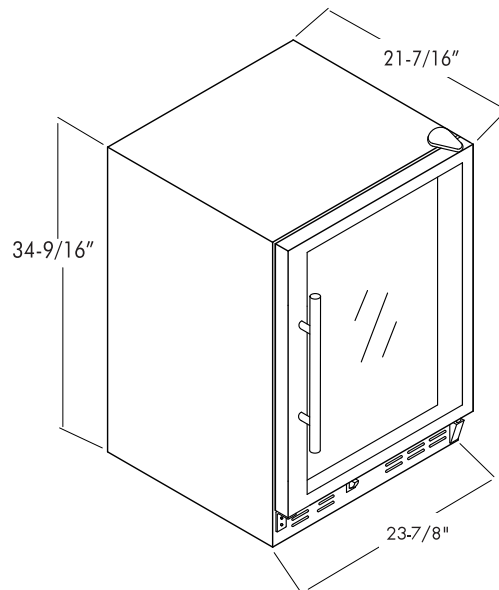
- Do not install your beverage center in any location not properly insulated or heated e.g. garage etc. Your beverage center was not designed to operate in temperature settings below 55° Fahrenheit.
- Select a suitable location for the beverage center on a hard even surface away from direct sunlight or heat source e.g. radiators, baseboard heaters, cooking appliances etc. Any floor unevenness should be corrected with the leveling legs located on the front and rear bottom corners of the beverage center.
- Built-in beverage center need to be ventilated from the front. This feature allows the unit to be built-in in an enclosed area .The bottom front grille should be clear of all obstructions. This is absolutely necessary for the air to circulate and for the unit to operate efficiently. The dimensions for installation are as follows (W×D×H):

**Unit Dimensions**

MODEL	W	D	H
WC200GS	23-7/8"	21-7/16"	34-9/16"

**Built-In Dimensions**

MODEL	W	D	H
WC200GS	24"	24"	35"

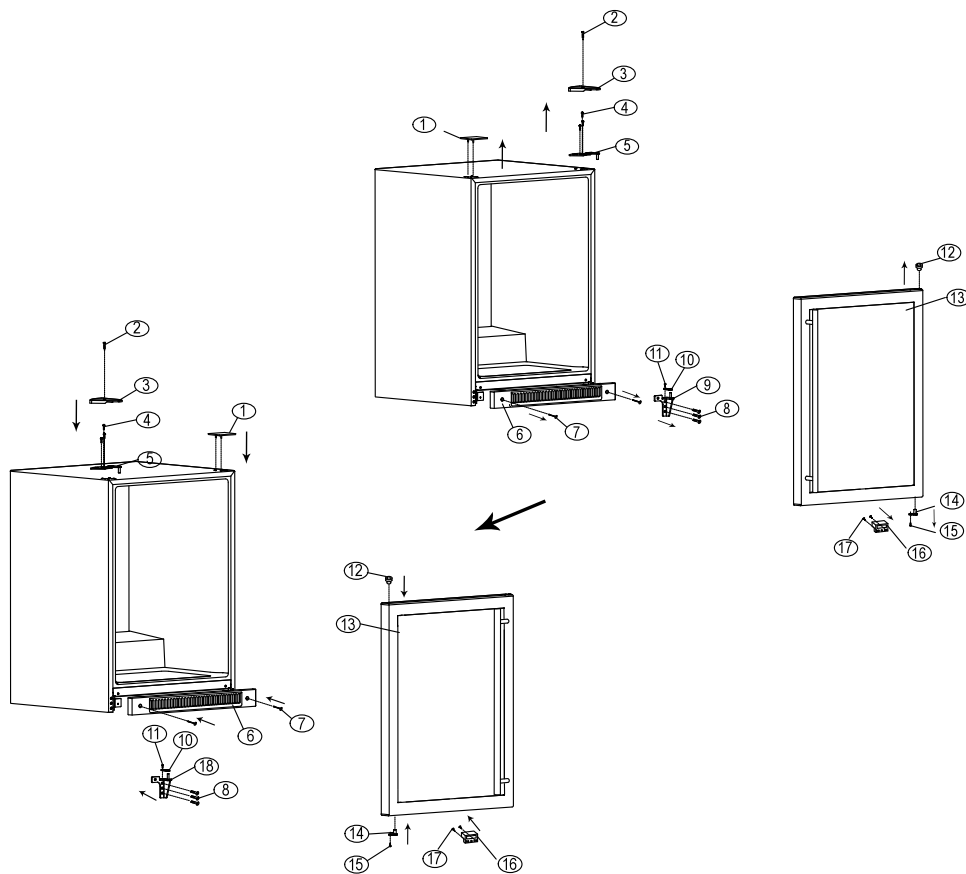
**Electrical Requirement**

- Make sure there is a suitable power Outlet (115 volts, 15 amps outlet) with proper grounding to power the wine cellar.
- Avoid the use of three plug adapters or cutting off the third grounding in order to accommodate a two plug outlet. This is a dangerous practice since it provides no effective grounding for the wine cellar and may result in shock hazard.

**Use of Extension Cord**

- Avoid the use of an extension cord because of potential safety hazards under certain conditions. If it is necessary to use an extension cord, use only a 3-wire extension cord that has a 3-blade grounding plug and a 3-slot outlet that will accept the plug. The marked rating of the extension cord must be equal to or greater than the electrical rating of the appliance.

## Door Reversal



- |                            |                                 |
|----------------------------|---------------------------------|
| 1、Upper hinge hole's cover | 2、Hinge cover's screw           |
| 3、Upper hinge' cover       | 4、Upper hinge's cover           |
| 5、Upper hinge              | 6、Front cover                   |
| 7、Front cover's screw      | 8、Lower hinge's screw           |
| 9、Lower right hinge        | 10、Axis gasket                  |
| 11、Axis gasket's screw     | 12、Axis harness                 |
| 13、Glass door              | 14、Door closer                  |
| 15、Door closer's screw     | 16、Magnetic switch's screw      |
| 17、Magnetic switch         | 18、Lower left hinge(spare part) |

1. Use a Phillips head screwdriver to remove the screw that holds the upper hinge cover in place, remove the upper hinge cover. Loosen and remove the screws that hold the upper hinge in place.

**Note: Make sure you hold door to prevent it from falling or being damaged.**



Lift and set aside for now.

2. Remove the door closer, axis harness and magnetic switch separately and install them on opposite position to original.
3. Remove upper hinge cover and exchange with upper hinge, prepare to install.
4. Loosen lower right hinge's screw, remove lower right hinge, take off axis gasket of lower right hinge, install it on lower right hinge.
5. Install lower left hinge to the position of lower right cabinet.
6. Install the modified glass door onto the lower left hinge and fixup it.
7. Fixup the upper hinge cover, install the hinge hole's cover and reverse and install the kick plate

# Wine Cellar Features And Use

## Initial Setup

Once you have plugged the unit into an electrical outlet, let the unit run for at least 30 minutes to acclimatize itself before making any adjustments. The LED display will show the current internal temperature.

## Flex –Temperature Zone

This offers wine lovers a whole new level of storage flexibility. Flexi-Temp allows upper and lower compartments to each be set at two temperatures between 50°F-65°F and 43°F-65°F, independent of each other. Allowing you to store wine in your way.

The volumes of the upper zone and the lower zone can be adjusted through changing the position of the zone divider-there are three positions are available.

## Temperature Adjustments: See fig. # 1

- The wine cellar can be set at allowed temperature zone in either of the compartments to accommodate your wine storage requirements. To set the temperature hold the "Set" button for about 3 seconds. You will notice the temperature display blink for the upper compartment. Press the "∧" or "∨" button to increase or decrease the temperature setting. Once the desired temperature is attained, press the "Set" button. Doing this, the electronic control panel will memorize the setting. The temperature display will revert back to display the inside temperature. It may take some time to reach the set temperature.
- Once the temperature is set for the upper compartment, you will notice the temperature display blink for the lower compartment. Again press the "∧" or "∨" button to increase or decrease the temperature. Once the desired temperature is attained, press the "Set" button. Doing this, the electronic control panel will memorize the setting. The temperature display will revert back to display the inside temperature. It may take some time to reach the set temperature.

fig. # 1



## The Illustration of Wine Storage: See fig. #3

The following is the illustration of wine storage. The capacity of this wine cellar is 48 bottles. The capacity for the bottle with the diameter of 78mm, it may vary as per the type of wine storage or the different size of different wine bottle.

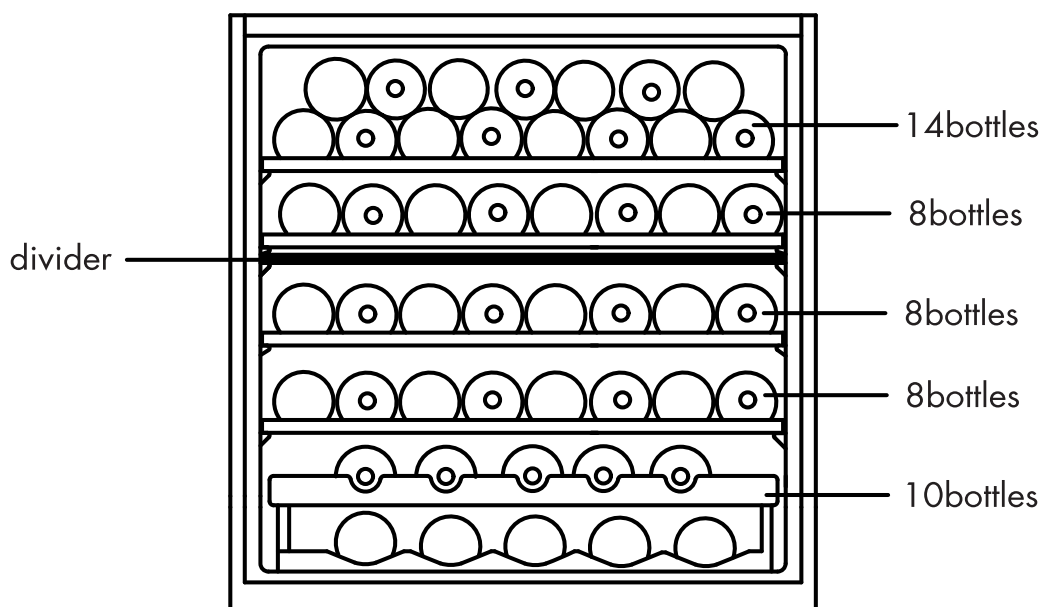


fig. #3

## Sabbath mode

Press and hold “^” and “v” at the same time for 3 seconds, buzzer will ring once, display panel will flash for 3 times and close. This indicates that the unit has entered Sabbath mode. In this mode, normal cooling operations still take place (compressor, magnetic valve, fan, heater strip), but all luminous equipment including display panel, LED bulb will shut off no matter door is opening or closing. Press and hold “^” and “v” at the same time for 3 seconds, after figure of display panels flashes for 3 times, you can exit from Sabbath mode.

## Shelving

- The shelves are designed for appearance and easy cleaning. Larger bottles or Magnums can be more easily accommodated at the shelves at the bottom of the cellar.
- There are 6 glide-out shelves for easy storage and removal of your wine.

**You can put the bottle with wine unfinished on the bottom wine racks in a angle.**

## Interior Light See fig. #1

- To complement the look of your wine collection, a soft light has been built into the wine cellar. Simply push the "Light" button and the light comes on, push again for off. For maximum energy efficiency, leave light off when not viewing your collection.
- When door is open the light will go on. Upon closing the door, the light will go off.

## Power Button

- You can shut off the power of the wine cellar when you needn't it works by press the "Power" button for 3 seconds. It will shut off the compressor, electromagnetism valve and the display panel. It can also be turned on again by press the "Power" button quickly. The light inside the wine cellar will turn on if you open the door when the power shutting off in order to access the wine conveniently.

## Normal Operating Sounds You May Hear

- Boiling water, gurgling sounds or slight vibrations that are the result of the refrigerant circulating through the cooling coils.
- The thermostat control will click when it cycles on and off.

# Proper Wine Cellar Care and Cleaning

## Cleaning and Maintenance

**Warning:** To avoid electric shock always unplug your wine cellar before cleaning. Ignoring this warning may result in death or injury.

**Caution:** Before using cleaning products, always read and follow manufacturer's instructions and warnings to avoid personal injury or product damage.

**General:**

- Prepare a cleaning solution of 3-4 tablespoons of baking soda mixed with warm water. Use sponge or soft cloth, dampened with the cleaning solution, to wipe down your wine cellar.
- Rinse with clean warm water and dry with a soft cloth.
- Do not use harsh chemicals, abrasives, ammonia, chlorine bleach, concentrated detergents, solvents or metal scouring pads. SOME of these chemicals may dissolve, damage and/or discolor your wine cellar.

**Door Gaskets:**

- Clean door gaskets every three months according to general instructions. Gaskets must be kept clean and pliable to assure a proper seal.
- Petroleum jelly applied lightly on the hinge side of gaskets will keep the gasket pliable and assure a good seal.

## Power Interruptions

- Occasionally there may be power interruptions due to thunderstorms or other causes. Remove the power cord from AC outlet when a power outage occurs. When power has been restored, replug power cord to AC outlet.

## Vacation and Moving Care

- For long vacations or absences, unplug the wine cellar and clean the wine cellar and door gaskets according to "General cleaning" section. Leave doors open, so air can circulate inside.
- When moving always move the wine cellar vertically. Do not move with the unit lying down, as possible damage to the sealed system could occur.

**Note:** After moving, wait for 24 hours before plugging in the wine cellar.

# Troubleshooting

## **Wine Cellar Does Not Operate:**

- Check if wine cellar is plugged in.
- Check if there is power in the AC outlet, by checking the circuit breaker.

## **Wine appears too warm:**

- Frequent door openings.
- Allow time for recently added wine to reach desired temperature.
- Check gaskets for proper seal.
- Clean condenser coils.
- Adjust temperature control to colder setting.

## **Wine temperature is too cold:**

- If temperature control setting is too cold, adjust to a warmer setting.

## **Wine cellar runs too frequently:**

- This may be normal to maintain constant temperature during high temperature and humid days.
- Doors may have been opened frequently or for an extended period of time.
- Clean condenser coils.
- Check gasket for proper seal.
- Check to see if doors are completely closed.

## **Moisture build up on interior or exterior of the wine cellar:**

- This is normal during high humidity periods.
- Prolonged or frequent door openings.
- Check door gaskets for proper seal.

## **Wine cellar door does not shut properly:**

- Level the wine cellar.
- Check for blockages e.g. wine bottles, shelves.

# Limited Warranty

## What is covered and for how long?

This warranty covers all defects in workmanship or materials for a period of:

**12 months labor**

**12 months parts**

**5 years sealed system**

The warranty commences on the date the item was purchased and the original purchase receipt must be presented to the authorized service center before warranty repairs are rendered.

**EXCEPTIONS: Commercial or Rental Use warranty**

**90 days labor (carry-in only)**

**90 days parts**

**No other warranty applies**

## What is covered.

1. The mechanical and electrical parts, which serve as a functional, purpose of this appliance for a period of 12 months. This includes all parts except finish, and trim.
2. The components of the sealed system e.g. hermetic compressor, condenser and evaporator from manufacturing defects for a period of 5 years from the date of purchase. Any damages to such components caused by mechanical abuse or improper handling or shipping will not be covered.

## What will be done?

1. We will repair or replace, at our discretion any mechanical or electrical part which proves to be defective in normal usage during the warranty period so specified.
2. There will be no charge to the purchaser for parts and labor on any covered items during the initial 12 month period. Beyond this peri-

od only parts are covered in the remaining warranty. Labor is not provided and must be paid by the customer.

3. Contact your nearest authorized service center. For the name of the nearest service center please call 1-877-337-3639

**THIS WARRANTY COVERS APPLIANCES WITHIN THE CONTINENTAL UNITED STATES, PUERTO RICO AND CANADA. IT DOES NOT COVER THE FOLLOWING:**

Damages from improper installation.  
 Damages in shipping.  
 Defects other than manufacturing.  
 Damage from misuse, abuse, accident, alteration, lack of proper care and maintenance or incorrect current or voltage.  
 Damage from other than household use.  
 Damage from service by other than an authorized dealer or service center.  
 Decorative trims or replaceable light bulbs.  
 Transportation and shipping.  
 Labor (after the initial 12 months).

**THIS LIMITED WARRANTY IS GIVEN IN LIEU OF ALL OTHER WARRANTIES, EXPRESSED OR, INCLUDING THE WARRANTIES OF MERCHANTABILITY AND FITNESS FOR A PARTICULAR PURPOSE**

The remedy provided in this warranty is exclusive and is granted in lieu of all other remedies.

This warranty does not cover incidental or consequential damages, so the above limitations may not apply to you. Some States do not allow limitations on how long an implied warranty lasts, so the above limitations may not apply to you.

This warranty gives you specific legal rights, and you may have other rights, which vary, from state to state.

Haier America  
 New York, NY 10018

# **IMPORTANT**

## **Do Not Return This Product To The Store**

**If you have a problem with this product, please contact the "Haier Customer Satisfaction Center" at 1-877-337-3639.**

**DATED PROOF OF PURCHASE REQUIRED FOR WARRANTY SERVICE**

**Made in China**

# **Haier**

**Haier America  
New York, NY 10018**

**Printed in China**