



INSTALLATION GUIDE
BUILT-IN UNDERCOUNTER ICE MAKER

GUIDE D'INSTALLATION
MACHINE À GLAÇONS ENCASTRÉE SOUS LE COMPTOIR

INTRODUCTION

SAFETY

Your safety and the safety of others are very important.

We have provided many important safety messages in this manual and on your appliance. Always read and obey all safety messages.



This is the safety alert symbol.

This symbol alerts you to potential hazards that can kill or hurt you and others.

All safety messages will follow the safety alert symbol and either the word "DANGER" or "WARNING."

These words mean:

⚠ DANGER

You can be killed or seriously injured if you don't immediately follow instructions.

⚠ WARNING

You can be killed or seriously injured if you don't follow instructions.

All safety messages will tell you what the potential hazard is, tell you how to reduce the chance of injury, and tell you what can happen if the instructions are not followed.

IMPORTANT SAFETY INSTRUCTIONS

WARNING: To reduce the risk of fire, electric shock, or injury when using your refrigerator, follow these basic precautions:

- Plug into a grounded 3 prong outlet.
- Do not remove ground prong.
- Do not use an adapter.
- Do not use an extension cord.
- Do not store explosive substances such as aerosol cans with a flammable propellant in this appliance.
- Disconnect power before cleaning.
- Disconnect power before servicing.
- Replace all parts and panels before operating.
- Connect to potable water supply only.
- If the supply cord is damaged, it must be replaced by the manufacturer, its service agent, or similarly qualified person in order to avoid a hazard.
- This appliance is not intended for use by persons (including children) with reduced physical, sensory, or mental capabilities, or lack of experience and knowledge, unless they have been given supervision or instruction concerning use of the appliance by a person responsible for their safety.
- Use two or more people to move and install ice maker.
- Children should be supervised to ensure that they do not play with the appliance.
- This appliance is intended to be used in household and similar applications such as:
 - staff kitchen areas in shops, offices, and other working environments;
 - farmhouses and by clients in hotels, motels, and other residential-type environments;
 - bed and breakfast-type environments;
 - catering and similar non-retail applications.

SAVE THESE INSTRUCTIONS

INTRODUCTION

REGISTERING YOUR APPLIANCE

Gain access to our concierge-level customer support by registering your appliance. We make product registration simple and straightforward so that you can start using your exclusive JennAir benefits today.

Registering your appliance allows you to:

- **Streamline your warranty service**
If we have your product information, we can help you faster.
- **Protect your purchase**
In case of an insurance loss, such as fire, flood, or theft, your product registration could serve as a proof of purchase.
- **Keep your family safe**
We'll notify you in the rare case of a safety notification.

Start taking advantage of these benefits today by going online to register your product at jennair.com/customer-care.

PRODUCT IDENTIFICATION

Your product identification that includes the model and serial number are listed on the product rating plate.

Recording this information below allows us to more easily assist you if your product shall ever require service from one of our Whirlpool Authorized Service Providers.

Model Number: _____

Serial Number: _____

Date of Installation: _____

Authorized Dealer: _____

Authorized Dealer Phone #: _____

TABLE OF CONTENTS

INTRODUCTION

Safety	2
Registering Your Appliance	3
Product Identification	3

GETTING STARTED

Before Installation.....	4
Tools Required.....	4
Parts Provided.....	4
Vacation or Extended Time Without Use.....	5
Unpack the Ice Maker	5
Optional Personalizations.....	5

SITE PREPARATION

Product and Opening Dimensions	6
Location Requirements	7
Electrical Requirements.....	8
Water Supply Requirements.....	8
Drain Supply Requirements.....	9
Gravity Drain System	9

DOOR REVERSAL

Removing the Hinge Covers.....	10
Removing the Hinges	12
Preparing the Bottom Hinges.....	14
Reversing the Hinges	16

INSTALLATION

Connecting the Water Supply	18
Installing the Drain Pump	20
Connecting the Drain	26
Leveling and Securing.....	28
Custom Wood Panel Installation	32
Installing Auxiliary Grill	34

APPENDIX

Accessories	36
-------------------	----

TABLE DES MATIÈRES.....	39
-------------------------	----

GETTING STARTED

BEFORE INSTALLATION

Gather the required tools and parts before starting installation. Read and follow the instructions provided with any tools listed.

IMPORTANT: These instructions are intended as a general guide only and do not supersede any national or local codes in any way. Compliance with all local, state, or national codes pertaining to this type of installation should be determined prior to installation.

Installer: Please be sure to leave Installation Instructions with the homeowner.

Homeowner: Keep the Installation Instructions for future reference.

TOOLS REQUIRED

Gather the required tools before starting installation.

Tools Required

- Cordless drill and drill bits
- Phillips screwdriver
- Pencil
- Masking tape
- 2 adjustable wrenches
- Level
- Wood screws (custom door panel)
- Wood screws
- 2" Hole Saw or 2" Forstner bit
- Double sided adhesive tape

PARTS PROVIDED

- Cabinet brackets
- Drain hose and clamp (in hose bag) - on some models only
- Auxiliary grill kit

GETTING STARTED

VACATION OR EXTENDED TIME WITHOUT USE

When you will not be using the ice maker for an extended period of time, turn off the water and power supply to the ice maker.

Check that the water supply lines are insulated against freezing conditions. Ice formations in the supply lines can increase water pressure and cause damage to your ice maker or home. Damage from freezing is not covered by the warranty.

UNPACK THE ICE MAKER

WARNING

Excessive Weight Hazard

Use two or more people to move and install ice maker.

Failure to do so can result in back or other injury.

Removing Packaging Materials

Remove tape and glue from your ice maker before using.

- To remove any remaining tape or glue from the exterior of the ice maker, rub the area briskly with your thumb. Tape or glue residue can also be easily removed by rubbing a small amount of liquid dish soap over the adhesive with your fingers. Wipe with warm water and dry.
- Do not use sharp instruments, rubbing alcohol, flammable fluids, or abrasive cleaners to remove tape or glue. Do not use chlorine bleach on the stainless steel surfaces of the ice maker. These products can damage the surface of your ice maker.

Cleaning Before Use

After you remove all of the packaging materials, clean the inside of your ice maker before using it. See the cleaning instructions in the “Ice Maker Care” section.

OPTIONAL PERSONALIZATIONS

Reversing the Door

For how to reverse the door, refer the “Door Reversal” section.

Custom Panel Installation

For instructions on how to install a custom door panel, go to the “Custom Wood Door Panel” section.

If you plan to install a custom overlay panel, you will need to make the panel yourself or consult a qualified cabinetmaker or carpenter.

IMPORTANT:

- The thickness of the overlay panel must be 3/4" (1.91 cm).
- Overlay panel must not weigh more than 8 lbs (3.62 kg).
- Overlay panels weighing more than recommended may cause damage to your ice maker.
- Match wood grain direction with that of adjacent cabinets.
- Sand panel edges to provide a smooth finish.
- Use moisture sealer on both sides and all edges of the panel to avoid damage from moisture.

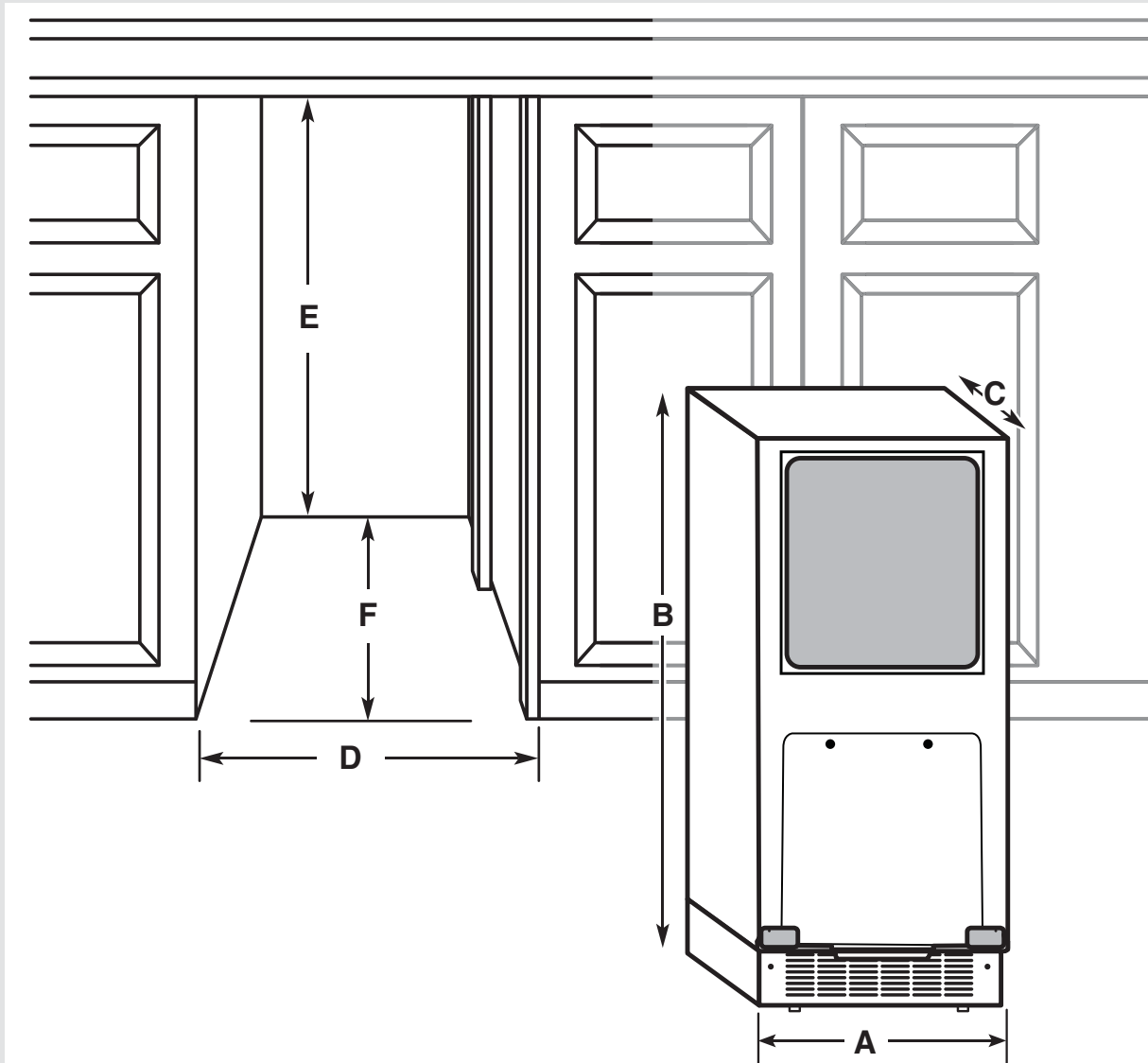
PARTS NEEDED:

- Instructions, #8 x 1/2" pan head wood screws (8)

Stainless Steel Panel Installation

Refer instructions received with Stainless Steel Panel kit for panel installation.

SITE PREPARATION

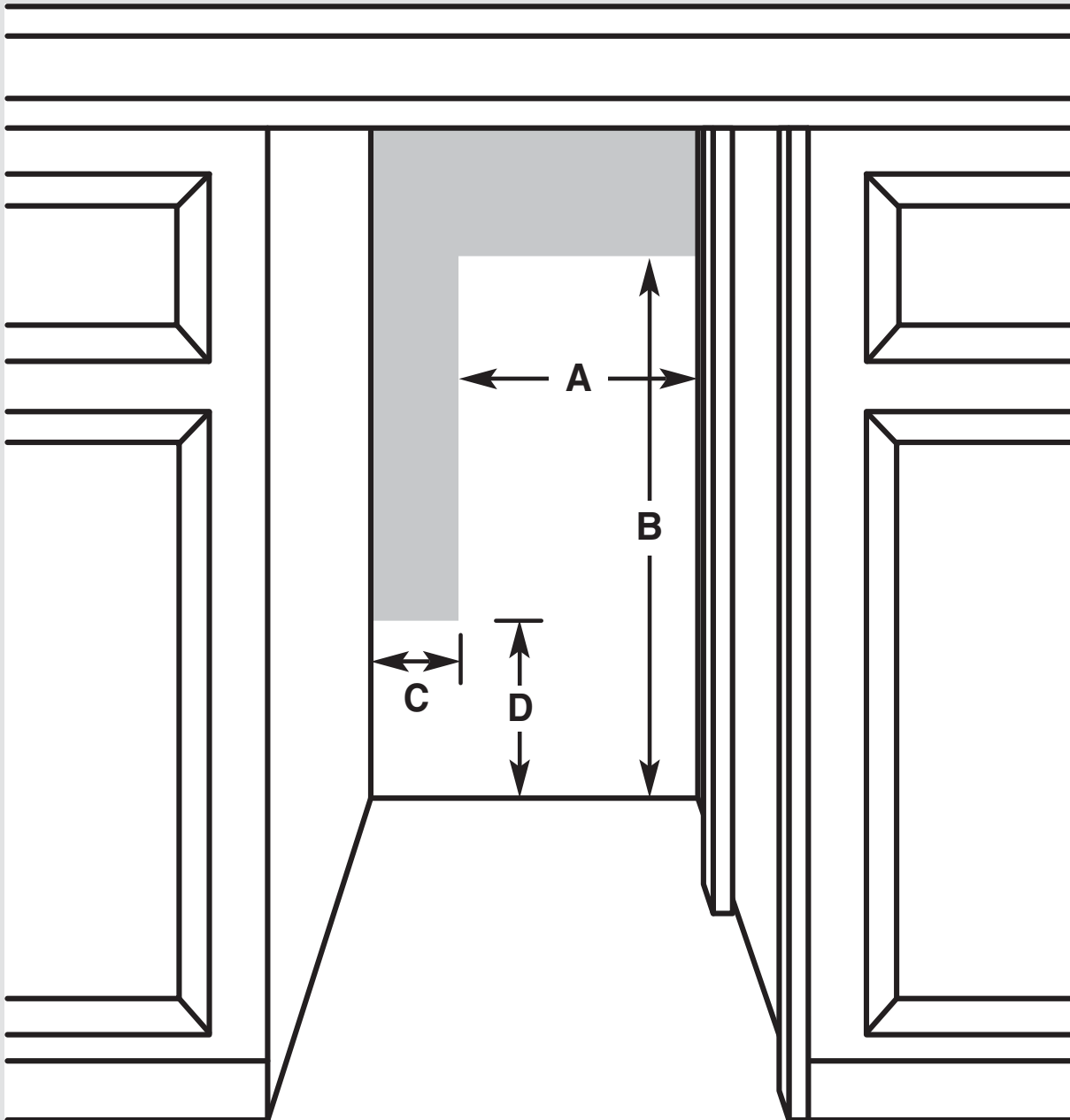


PRODUCT AND OPENING DIMENSIONS

Product Dimensions		
Product Width	A	14 ⁷ / ₈ " (37.8 cm)
Product Height	B	33 ³ / ₄ " (85.7 cm)
Product Depth (no door)	C	22 ¹ / ₁₆ " (56.1 cm)

Opening Dimensions		
Opening Width	D	15" (38.1 cm)
Opening Height	E	34" min (86.4 cm) 34 ¹ / ₂ " max (87.6 cm)
Opening Depth	F	24" (60.96 cm)

SITE PREPARATION



LOCATION REQUIREMENTS

Installation must comply with all governing codes and ordinances.

Temperature

It is recommended that you install the ice maker in a well-ventilated area with temperatures above 55°F (13°C) and below 110°F (43°C). Best results are obtained between 70°F and 90°F (21°C and 32°C).

Location

The ice maker must be installed in an area sheltered from the elements, such as wind, rain, or water spray.

To ensure proper ventilation for your ice maker, the front side must be completely unobstructed. The ice maker may be closed in on the top and three sides, however the installation should allow the ice maker to be pulled forward for servicing if necessary.

The auxiliary grill kit provided can be used to align the toe grill with the rest of the cabinets while not obstructing ventilation of the ice maker.

Floor must be able to support the ice maker's total weight, of more than 106 lbs (48.08 kg), including door panels and contents of the ice maker. It is important for the ice maker to be level in order to work properly. If needed, you can adjust the height of the ice maker by changing the height of the leveling legs. The face of the cabinetry must be flush with the front of the ice maker.

Check that the power supply cord, water supply line, and drain line (on some models) are not damaged, pinched, or kinked between the ice maker and the cabinet.

Utility Location Range		
Power Supply Cord Range	A	11½" (29.2 cm)
	B	28½" (72.4 cm)
Water Supply Line Range	C	3½" (8.9 cm)
	D	9" (22.9 cm)

SITE PREPARATION

ELECTRICAL REQUIREMENTS

⚠ WARNING



Electrical Shock Hazard

Plug into a grounded 3 prong outlet.

Do not remove ground prong.

Do not use an adapter.

Do not use an extension cord.

Failure to follow these instructions can result in death, fire, or electrical shock.

Electrical Requirements	
Power Supply	115 V, 60Hz, AC only
Circuit Breaker	15-20 A, fused
Receptacle	3 prong grounding-type
Outlet	Non-GFCI

IMPORTANT:

- Use an outlet that cannot be turned off by a switch. Do not use an extension cord.
- It is recommended that this product not be connected to a GFCI (Ground Fault Circuit Interrupter) protected outlet, as nuisance tripping of the power supply may occur.
- The ice maker must be grounded. The ice maker is equipped with a power supply cord having a grounded 3 prong plug. The cord must be plugged into a mating, grounded, 3 prong wall receptacle, grounded in accordance with the National Electrical Code and local codes and ordinances. If a mating wall receptacle is not available, it is the personal responsibility of the customer to have a properly grounded 3 prong wall receptacle installed by a qualified electrician.

WATER SUPPLY REQUIREMENTS

Before connecting the ice maker, ensure that the water supply lines are insulated against freezing conditions. Ice formations in the supply lines can increase water pressure and damage the ice maker or home. Damage from frozen supply lines is not covered by the warranty.

Use new hoses supplied with the product. Do not reuse old hoses.

Water Supply Requirements	
Water Pressure	30-120 psi (207-827 kPa)
Excess Water Line for Connection	30"
Water Inlet Supply	1/4" (6.35 mm) OD soft copper tubing
Drain Pump	With shut-off valve

IMPORTANT:

- Connect to potable water supply only.
- A reverse osmosis water filtration system is not recommended for ice makers that have a drain pump installed. Reverse osmosis water filtration systems are for gravity drain systems only.
- Connect the ice maker drain to your drain in accordance with the International Plumbing Code and any local codes and ordinance.
- To achieve a flush installation, the water shutoff valve should not be installed in the wall behind the refrigerator, but in another easily accessible location.
- The drain pump discharge line must terminate at an open-site drain.
 - Maximum rise 10 ft (3.1 m)
 - Maximum run 100 ft (30.5 m)

NOTE: If the drain hose becomes twisted and water cannot drain, your ice maker will not work.

Reverse Osmosis Water Supply

A reverse osmosis system may be used if the water pressure from the filtration system meets the required water pressure requirements.

If a reverse osmosis system is desired, only a whole-house capacity reverse osmosis system, capable of maintaining the steady water supply required by the ice maker, is recommended. Faucet capacity reverse osmosis systems are not able to maintain the steady water supply required by the ice maker.

SITE PREPARATION

DRAIN SUPPLY REQUIREMENTS

Connect the ice maker drain to your drain in accordance with all state and local codes and ordinances. Follow these guidelines when installing drain lines if the ice maker is provided with a gravity drain system. This will help keep water from flowing back into the ice maker storage bin. Water flowing back into the ice maker can potentially flow onto the floor and cause water damage.

Drain Requirements	
Inside Diameter	minimum 5/8" (15.88 mm)
Drain Lines	Drain lines must have a 1" drop per 48" of run (2.54 cm drop per 122 cm of run) or 1/4" drop per 12" of run (6.35 mm drop per 30.48 cm of run)
Maximum rise	10 ft (3.1 m)
Maximum run	100 ft (30.5 m)

The ideal installation has a standpipe with a 1½" (3.81 cm) to 2" (5.08 cm) PVC drain reducer installed directly below the outlet of the drain tube as shown. You must maintain a 1" (2.54 cm) air gap between the drain hose and the standpipe.

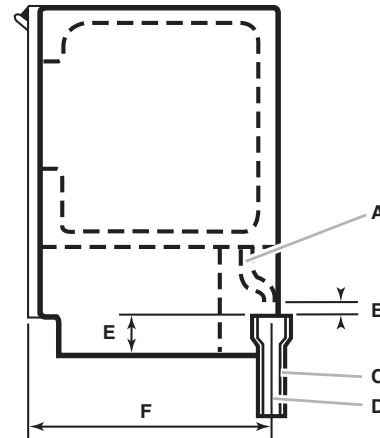
Do not connect the outlet end of the drain tube to a closed pipe system to keep drain water from backing up into the ice maker.

Drain pump maximum capability: For every 1 ft (0.31 m) of rise, subtract 10 ft (3.1 m) of maximum allowable run.

IMPORTANT: A drain pump is necessary when a floor drain is not available. A Drain Pump kit, Part Number 1901A, is available for purchase at jennair.com/accessories/details/1901A.

NOTE: It may be desirable to insulate the drain line thoroughly up to the drain inlet. An Insulation Sleeve kit, Part Number W10365792, is available for purchase at jennair.com/accessories/details/W10365792.

GRAVITY DRAIN SYSTEM

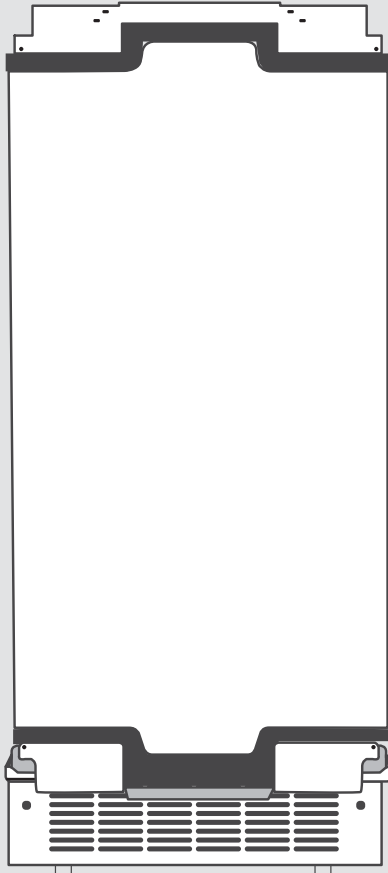


Gravity Drain System Dimensions		
Drain Hose	A	
Air Gap	B	1" (2.54 cm)
PVC Drain Reducer	C	2" to 1½" (5 cm - 3.8 cm)
Center of Drain	D	23" (58.4 cm) from front of door, with or without ¾" (1.9 cm) panel on the door, centered left to right (7 ⁹ / ₁₆ " [18.56 cm]) from either side of the ice maker.
Bottom of Ice Maker to top of PVC Drain Reducer	E	1 ⁷ / ₈ " (4.8 cm)
Depth to center of PVC Drain Reducer	F	23" (58.4 cm)

DOOR REVERSAL

! If door reversal is not needed, skip "Door Reversal" section and go to "Installation" section.

REMOVING HINGE COVERS



⚠ WARNING

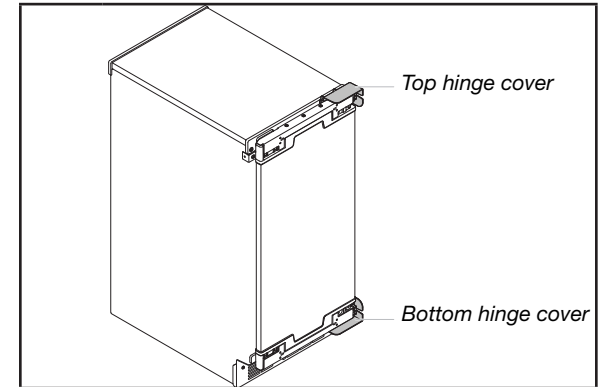


Crush Hazard

Articulated hinges are self closing and many pinch points exist prior to cabinet installation.

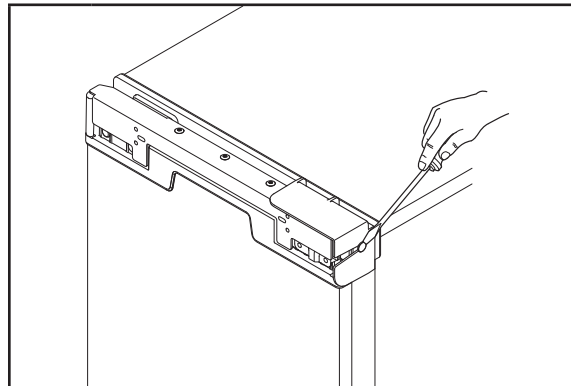
Do not remove hinge covers until product is ready to be installed.

Failure to follow these instructions can result in crush, cut, or pinch injuries.



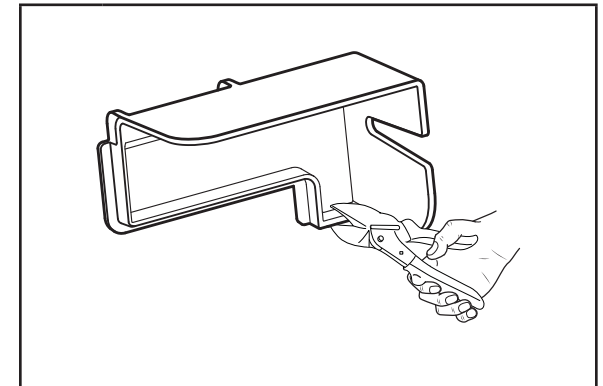
2

Remove the hinge cover from top and bottom hinges.



1

Remove the screws attaching top and bottom hinge covers using the flat head screwdriver.



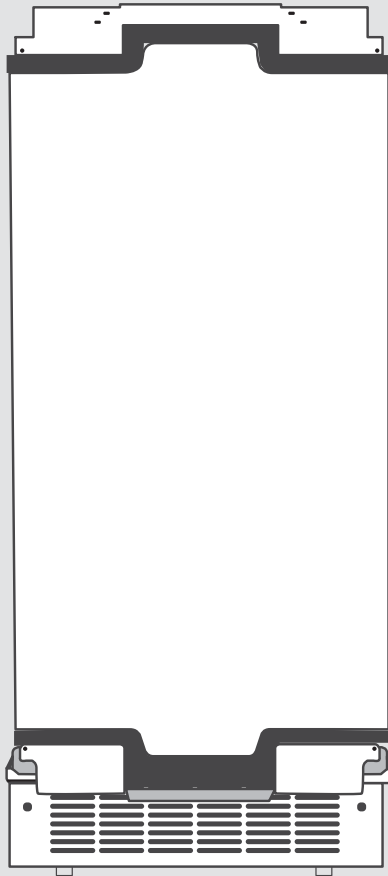
3

To remove hinge covers, cut hinge cover at indicated point using diagonal cutting plier and remove from hinges.

NOTE: Reinstall the hinge covers if product is removed from cabinet installation.

DOOR REVERSAL

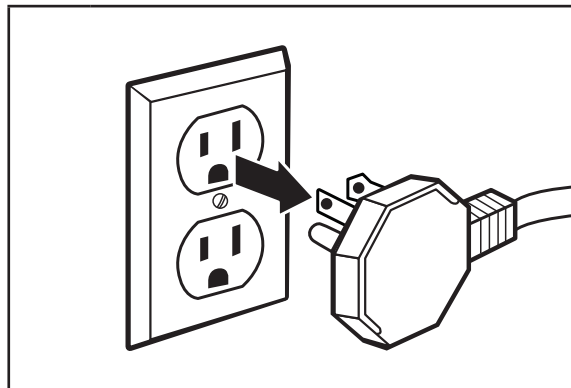
REMOVING THE HINGES



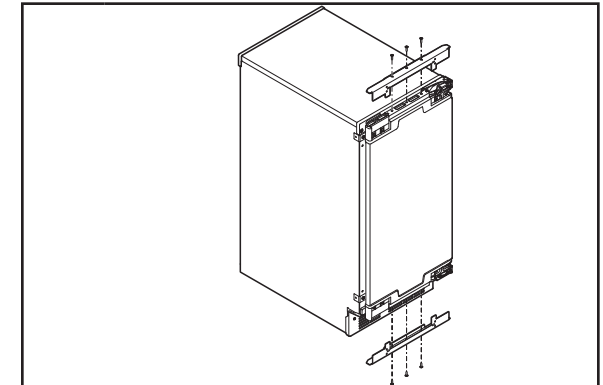
⚠ WARNING



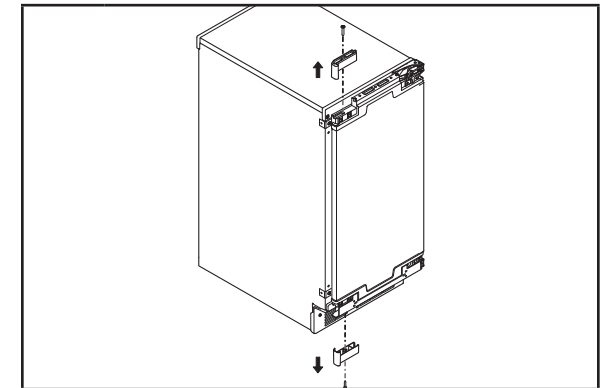
Electrical Shock Hazard
Disconnect power before servicing.
Replace all parts and panels before operating.
Failure to do so can result in death or electrical shock.



1 Unplug the ice maker or disconnect power.

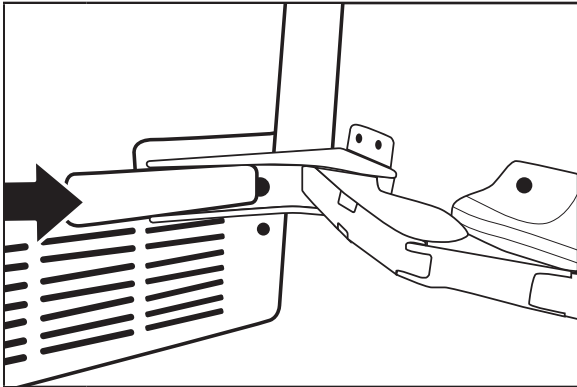


2 Remove screws (3) from the top and bottom metal brackets using the Phillips screwdriver. Remove and place metal brackets aside.

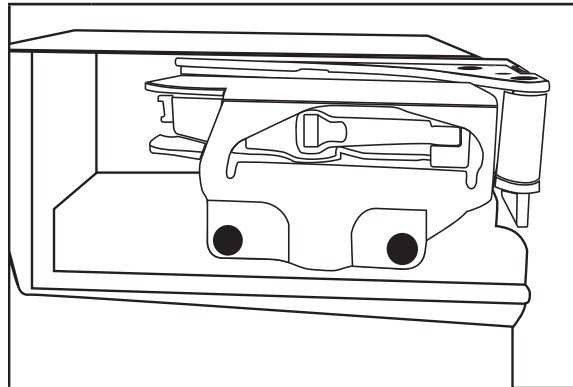


3 Remove screw (1) from the top and bottom plastic end caps using the Phillips screwdriver. Remove and place end caps aside.

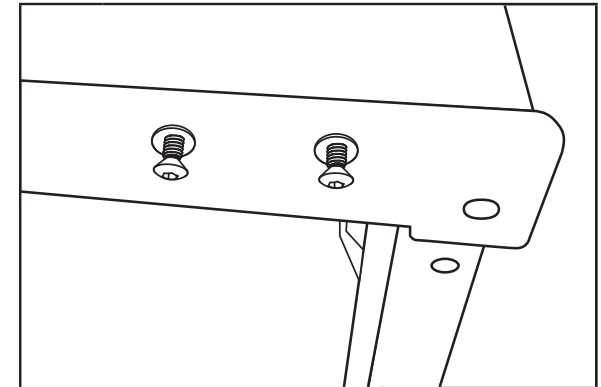
DOOR REVERSAL



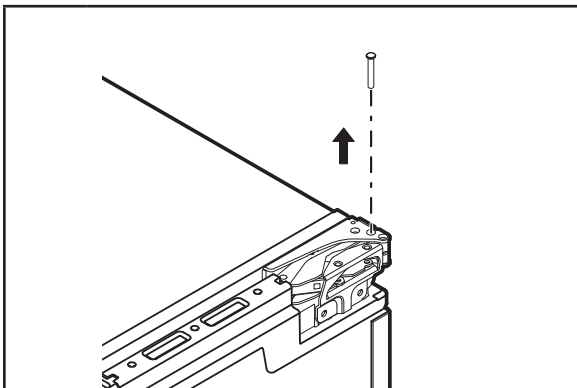
4 Remove the plastic screw cover from the inside of the hinges and place aside.



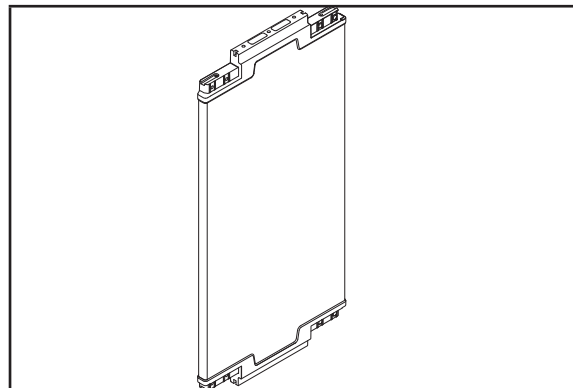
6 Unscrew the door hinge screws completely from top and bottom hinges.



8 Loosen the cabinet Phillips head screws halfway, so that the top and bottom hinges can slide off.



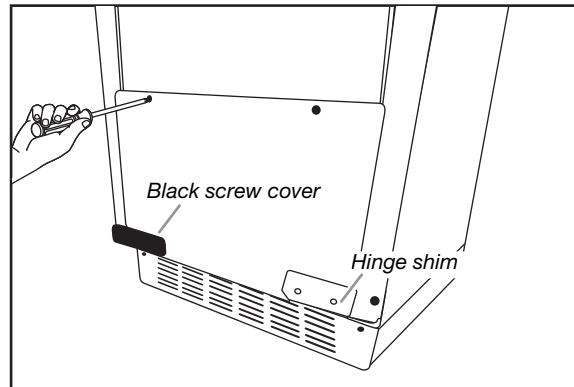
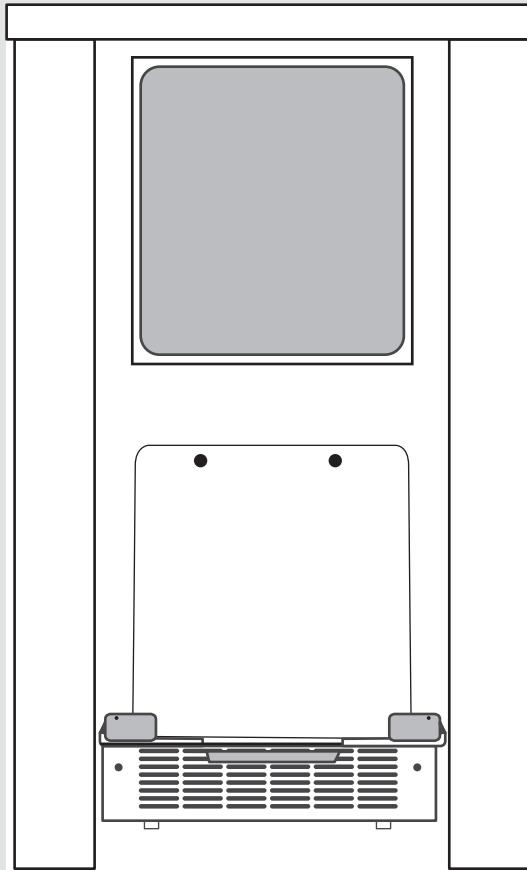
5 Remove door swing limit pin from top hinge and place aside.



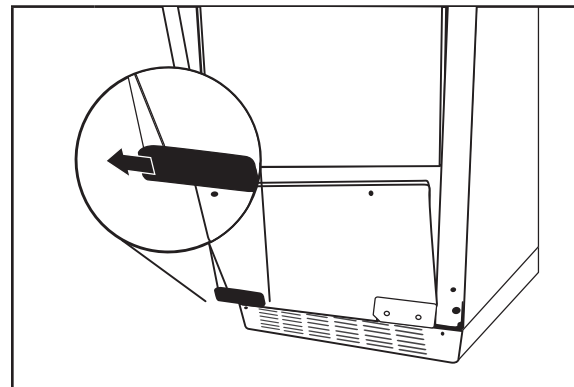
7 Remove the door and place aside.

DOOR REVERSAL

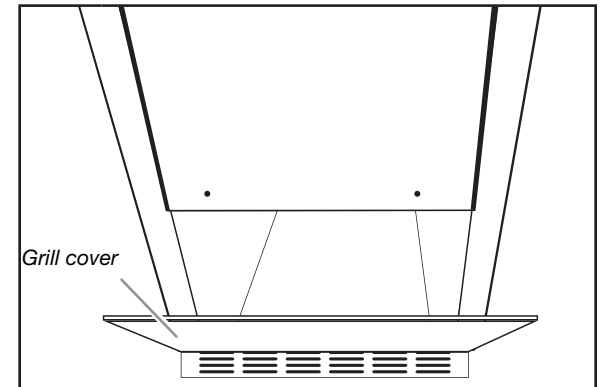
PREPARING THE BOTTOM HINGES



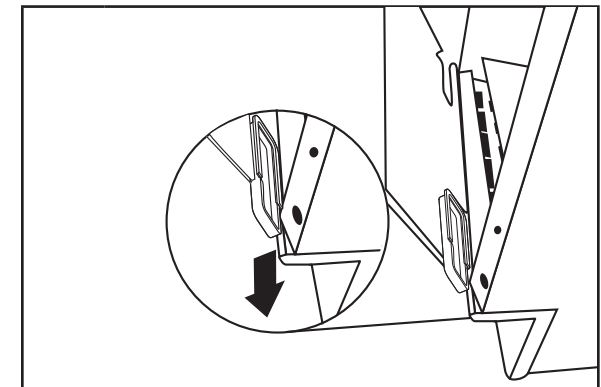
1 Once both hinges are removed, unscrew the grill cover using a TORX T20† screwdriver.
NOTE: The grill cover may fall open. This is normal.



2 Remove the black screw cover from the grill by opening the grill cover, pushing the screw cap inwards, and sliding it out to the side. Remove the hinge shim.

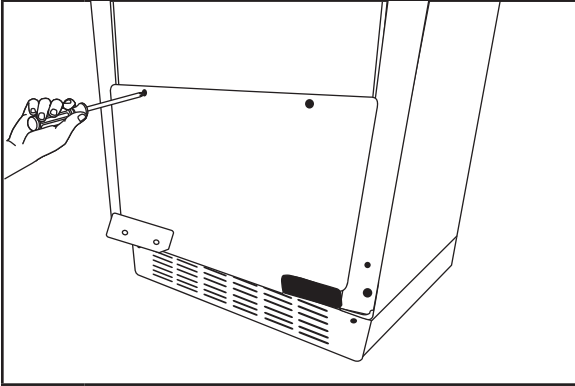


3 To attach the black screw cover to the opposite side, first pull the grill cover out.



4 Place the black screw cover between the grill and the screws. Install the hinge shim on the opposite side, making sure the notch face down and in.
NOTE: Be sure that all of the cover edges are behind the lip of the grill, or it will not stay in place.

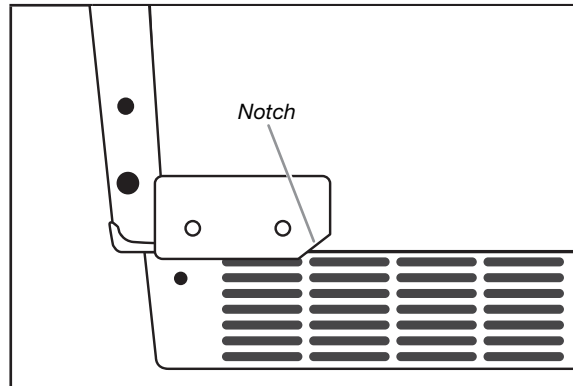
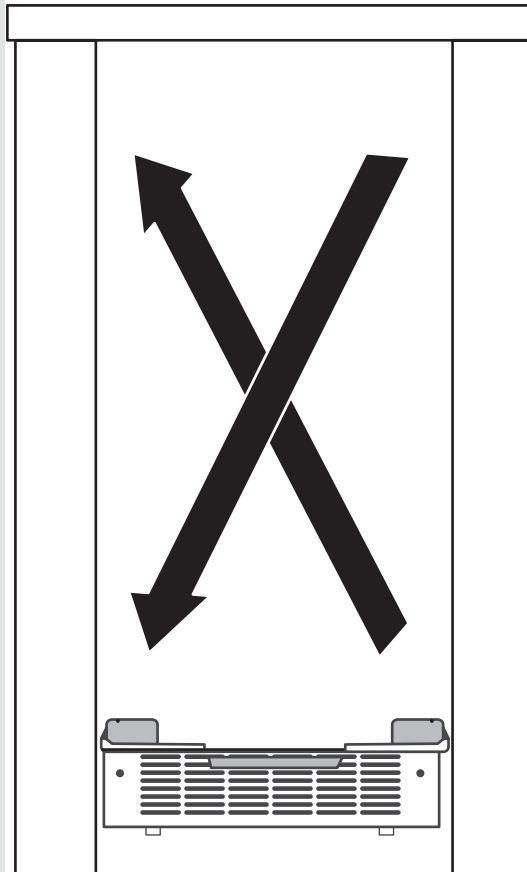
DOOR REVERSAL



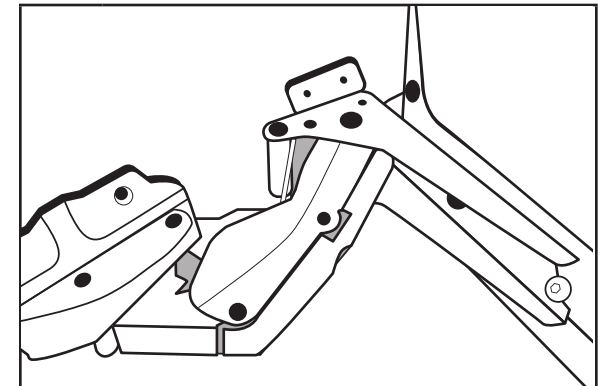
- 5** Once the cover is secured, push the grill cover back into its original position, and reinstall the grill screws.

DOOR REVERSAL

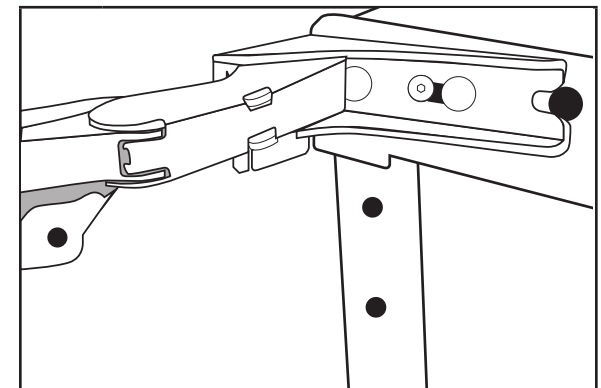
REVERSING THE HINGES



- 1** Place the hinge shim on the opposite side of the ice maker.
NOTE: The hinge shim is notched on the bottom-inner side to indicate proper placement. Flip the hinge shims as needed to make sure that the notches are facing in and down.

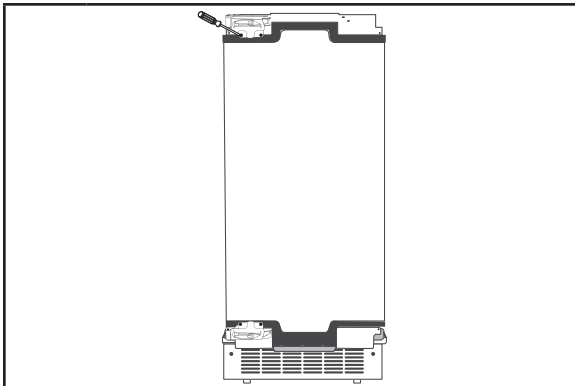


- 2** Take the original upper hinge, flip it and place it in the lower hinge position on the opposite side. Rest it on the cabinet hinge screws (i.e. the upper right hinge is now the lower left hinge). The extensions on the hinges should always face inside, not outside.

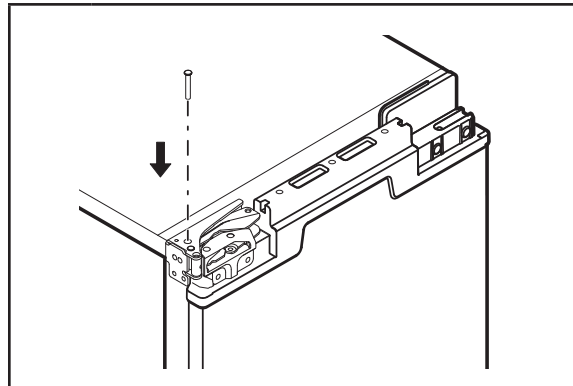


- 3** Take the original lower hinge, flip it and place it in the upper hinge position on the opposite side. Rest it on the cabinet hinge screws.

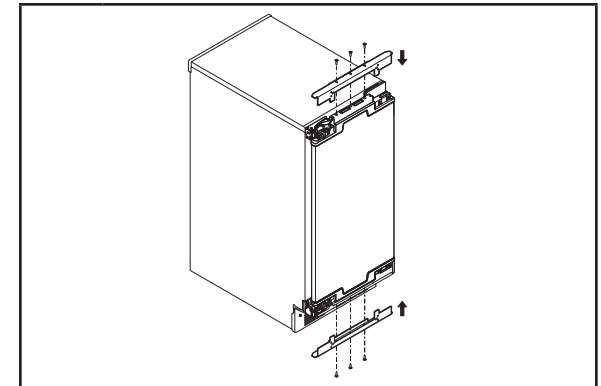
DOOR REVERSAL



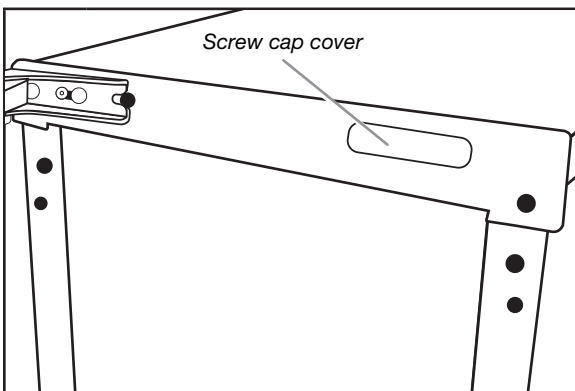
4 Both hinges should be resting on the cabinet hinge screws. Be sure to fully tighten all screws.



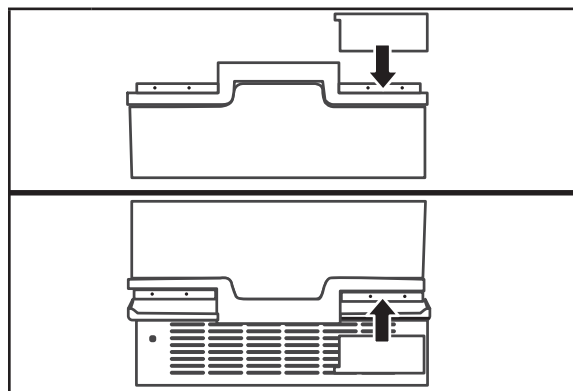
6 Reinstall the door swing limit pin on top hinge.



8 Using screws (3), reinstall the top and bottom metal brackets on the door.



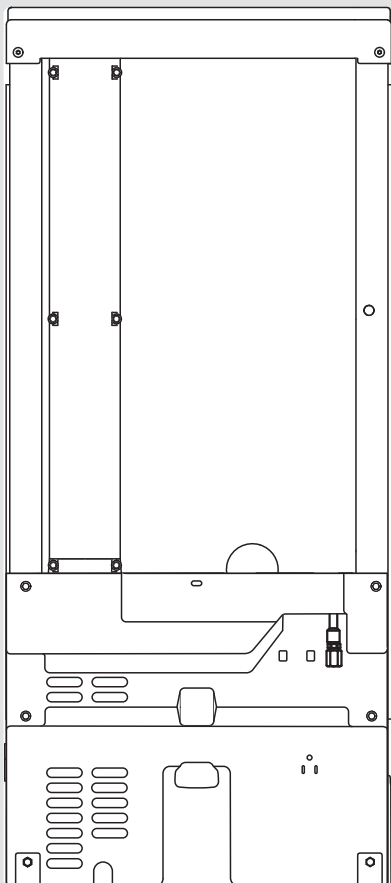
5 Place screw cap covers on all open screw holes. Screw cap covers must also be placed at the original locations of the hinges.



7 Install the top and bottom plastic end caps on the door (the upper right end cap is now the lower left end cap and vice versa).

INSTALLATION

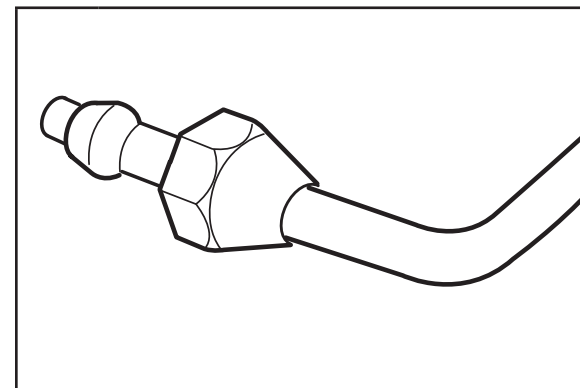
CONNECTING THE WATER SUPPLY



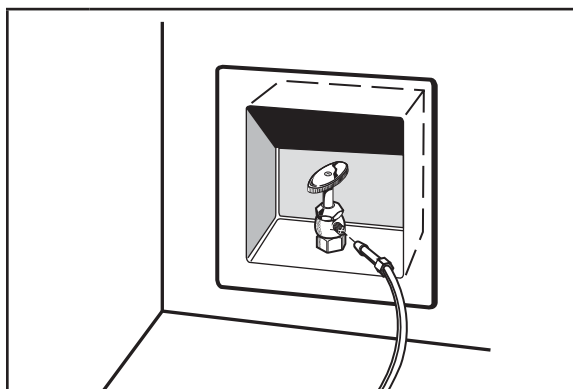
IMPORTANT:

- Plumbing shall be installed in accordance with the International Plumbing Code and any local codes and ordinances.
- Use copper tubing or JennAir supply line, Part Number 8212547RP, and check for leaks.
- Install tubing only in areas where temperatures will remain above freezing.

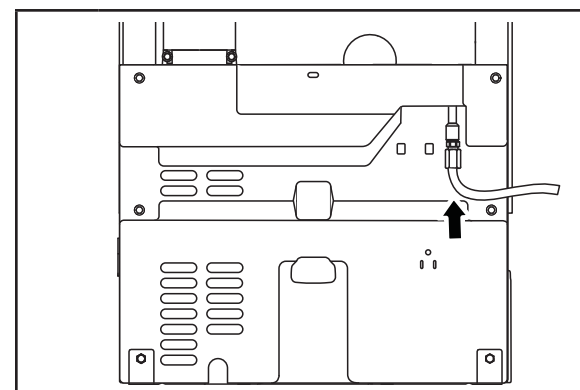
Turn off main water supply. Turn on nearest faucet line long enough to clear line of water.



- 2** Use 1/4" (6.35 mm) O.D. soft copper tubing with square cut ends for the cold water supply. Slip the compression sleeve and nut onto the copper tubing. Be sure that you have the proper length needed for the job.

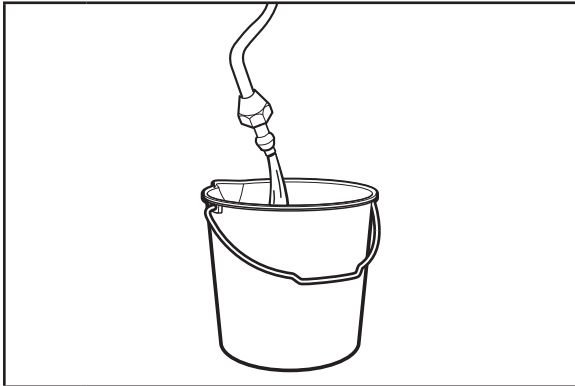


- 1** Using a minimum 1/2" copper tubing with a quarter turn shut-off valve or the equivalent supply line, connect the ice maker as shown.



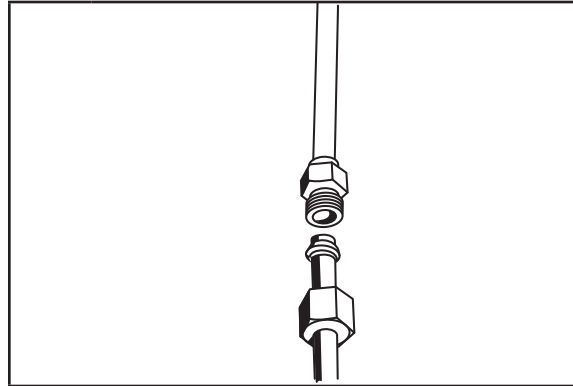
- 3** Insert end of tubing squarely into outlet end as far as it will go. Screw compression nut onto outlet end with adjustable wrench.

INSTALLATION

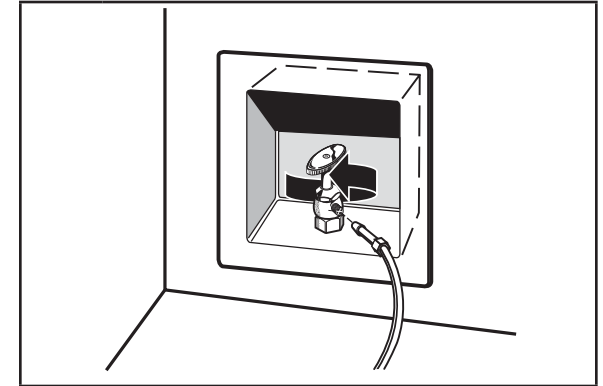


4 Flush out tubing by placing the free end of the tubing into a container or sink, and turning on the main water supply until water is clear. Turn off shut-off valve on the water pipe.

IMPORTANT: Always drain the water line before making the final connection to the inlet of the water valve to avoid possible water valve malfunction.



5 Remove and discard the short, plastic tube from the end of the water line inlet. Thread the nut onto the end of the tubing. Tighten the nut by hand. Then tighten it with a wrench two more turns. Do not overtighten.

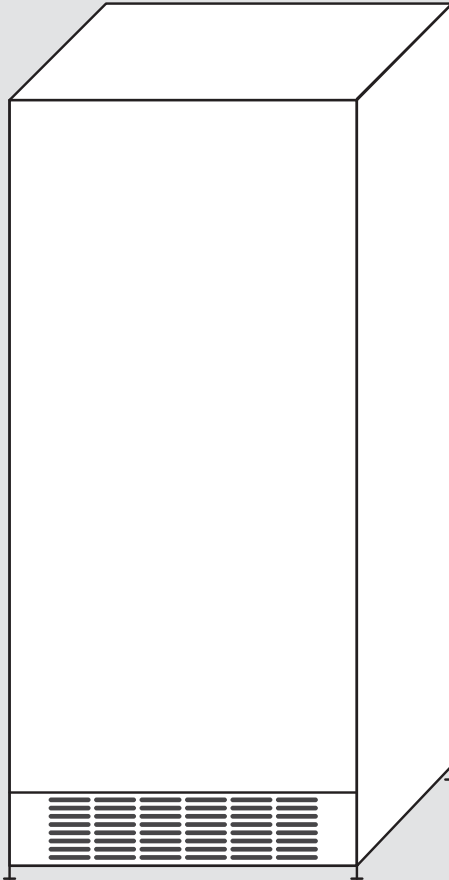


6 Turn shutoff valve on. Check for leaks. Tighten any connections (including connections at the valve) or nuts that leak.

INSTALLATION

! If drain pump is not needed, skip “Drain Pump Installation” section and go to “Connecting the Drain” section.

INSTALLING THE DRAIN PUMP - SITE PREPARATION



NOTES:

- Connect drain pump to your drain in accordance with all state and local codes and ordinances.
- It may be desirable to insulate drain tube thoroughly up to drain inlet to minimize condensation on the drain tube. Insulated tube kit Part Number W10365792 is available for purchase.
- Drain pump is designed to pump water to a maximum height of 10 ft (3 m). Use only Whirlpool approved drain pump kit Part Number 1901A.
- Do not connect the outlet end of the drain tube to a closed pipe system to keep drain water from backing up into the ice maker.

Kit Contains:

- Drain pump kit Part Number 1901A
- 5/8" I.D. x 51/8" drain tube (ice maker bin to drain pump reservoir inlet)
- 1/2" I.D. x 10 ft (3 m) drain tube hose (drain pump discharge to household drain)
- 5/16" I.D. x 32" (81 cm) vent tube (drain pump reservoir vent to ice maker cabinet back)
- Cable tie (secures vent tube to black suction tube) (1)
- #8-32 x 3/8" pump mounting screws (secures drain pump to baseplate and clamps to back of ice maker) (5)
- 5/8" small adjustable hose clamp (secures vent to drain pump)
- 7/8" large adjustable hose clamp, (secures drain tube to ice maker bin and drain pump reservoir inlet) (3)
- Instruction sheet

If Ice Maker is Currently Installed

NOTE: If ice maker is not installed, please proceed to “Drain Pump Installation” section.

! WARNING



Electrical Shock Hazard

Disconnect power before servicing.

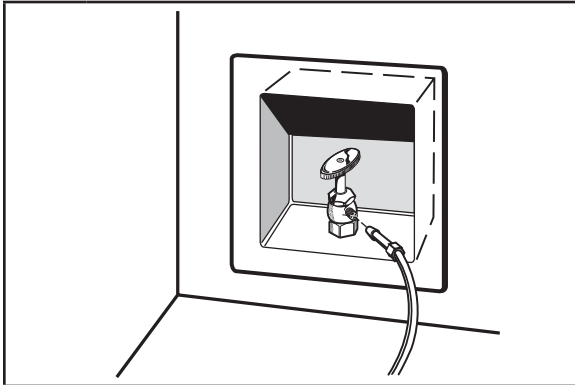
Replace all parts and panels before operating.

Failure to do so can result in death or electrical shock.

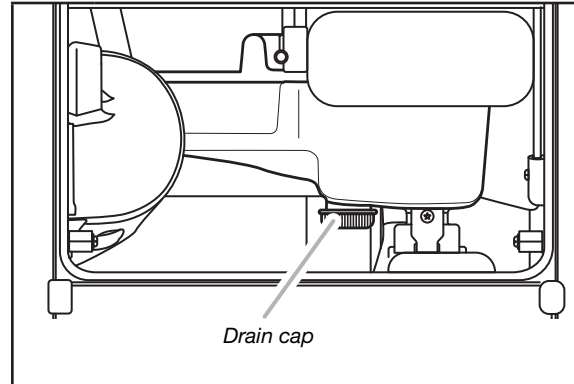
1

Press the OFF button to Stop ice production. Then unplug the ice maker or disconnect power.

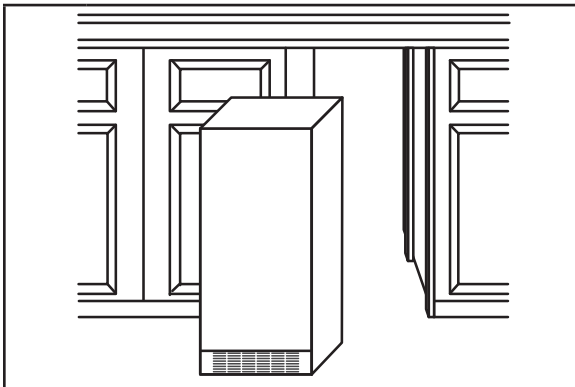
INSTALLATION



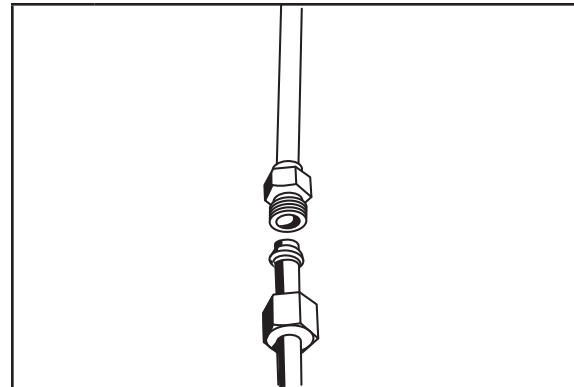
2 Turn off water supply. Wait 5 to 10 minutes for the ice to fall into the storage bin. Remove all ice from bin.



4 Unscrew the drain cap from the bottom of the water pan located inside the storage bin. Allow water to drain completely.



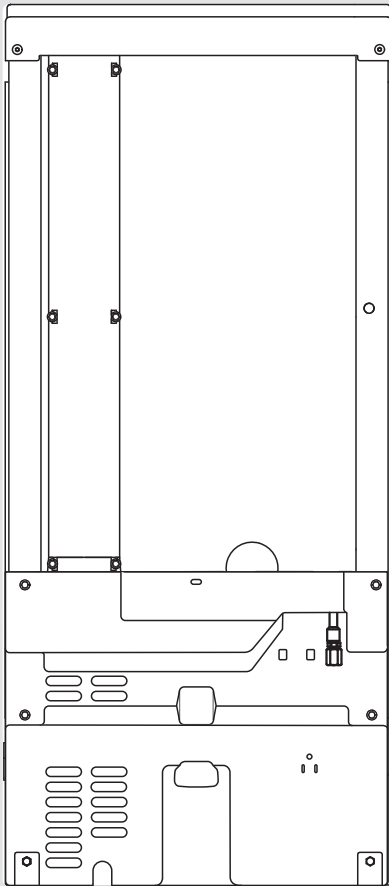
3 If ice maker is built into cabinets, pull ice maker out of the opening.



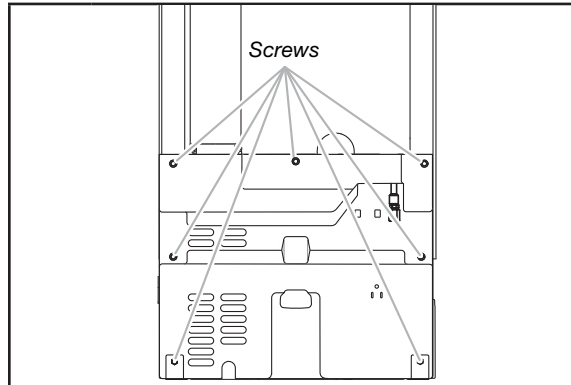
5 Disconnect water supply line.

INSTALLATION

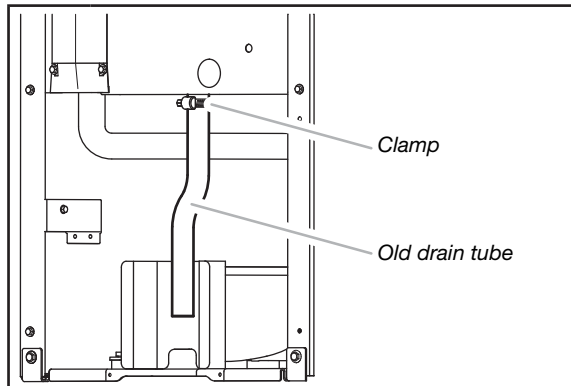
INSTALLING THE DRAIN PUMP



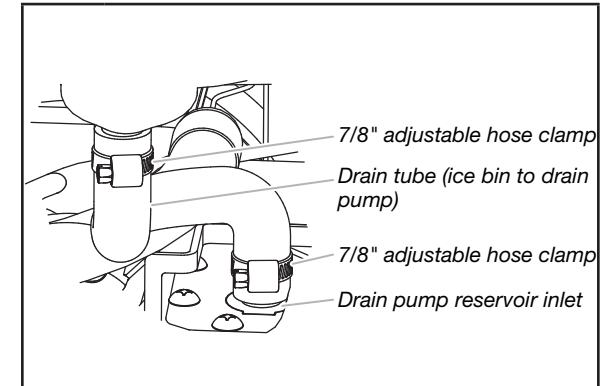
NOTE: Do not kink, smash or damage tubes or wires during installation.



1 Unscrew the screws (7) attaching rear panel to ice maker. Remove the rear panel.



2 Remove the old drain tube and clamp attached to the ice maker bin.
NOTE: Discard old drain tube and clamp.

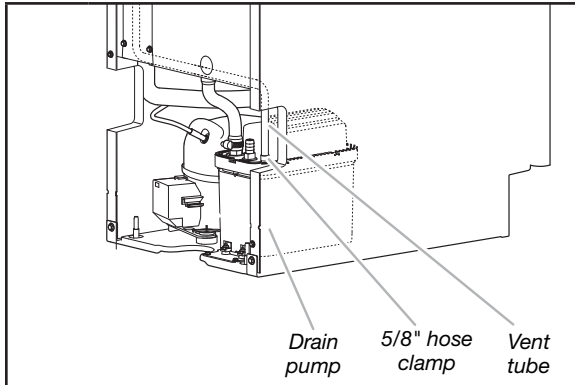


3 New drain tube (5/8" I.D. x 5 1/8") is provided in the ice maker bin. Install new drain tube to drain pump reservoir inlet using new adjustable clamps.

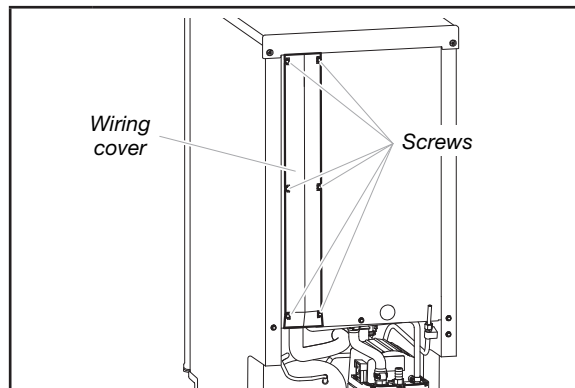
NOTES:

- Do not kink.
- Trim tube length if required.

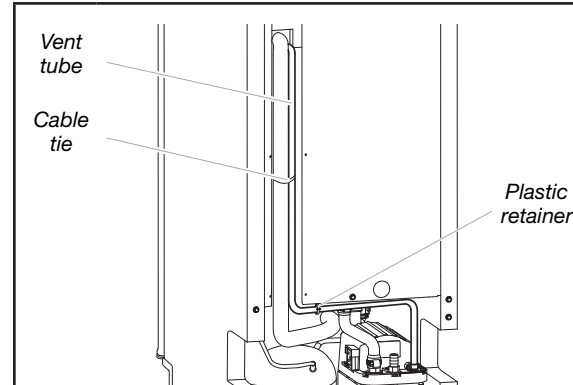
INSTALLATION



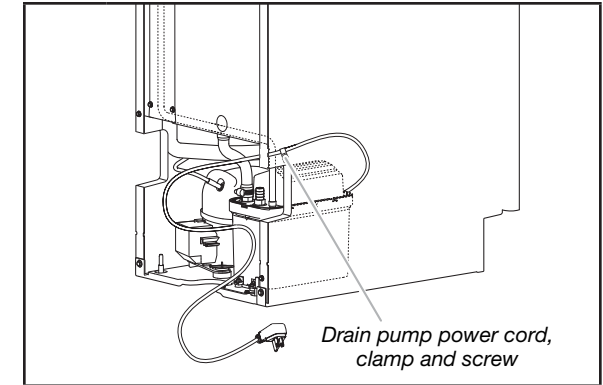
4 Install vent tube [5/16" I.D. x 32" (81 cm)] to drain pump reservoir vent. Use one of the supplied 5/8" small adjustable clamp.



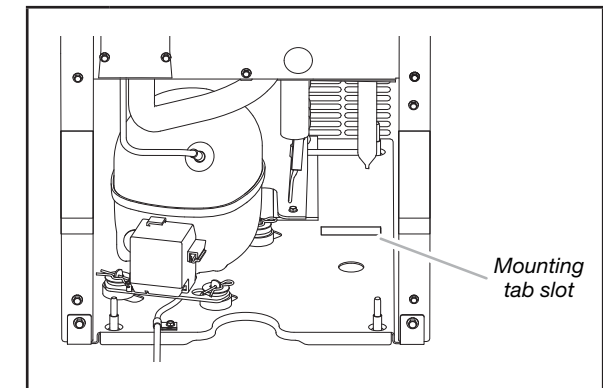
5 Unscrew the screws attaching wiring cover to the ice maker. Remove wiring cover.



6 Route vent tube through plastic retainer that is located underneath top deck in open pump area as shown in the illustration. Using cable tie, tie the vent tube to the black suction tube which is located behind the wiring cover. Secure wiring cover back in place.
NOTE: Do not overtighten the vent tube, it may block the airflow through tube.



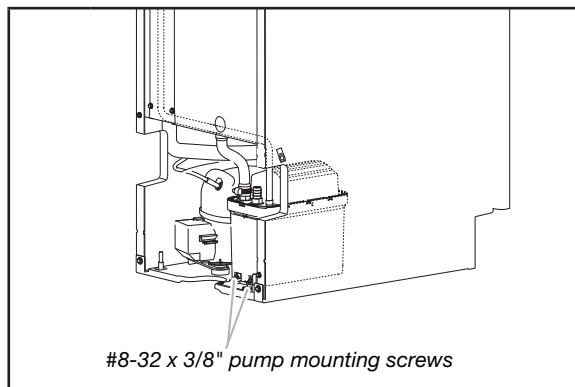
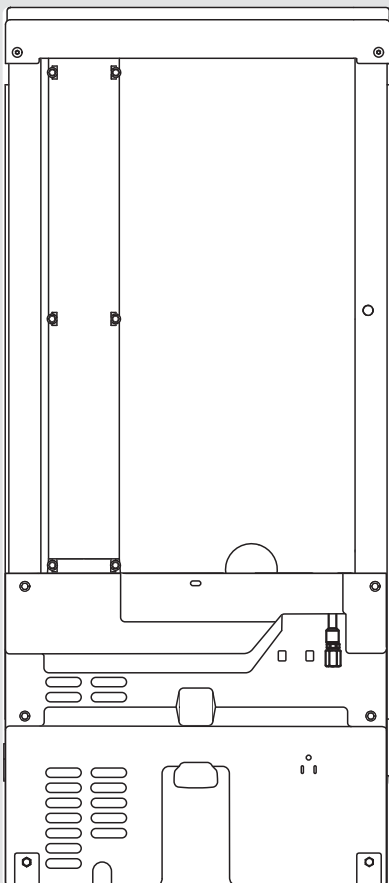
7 Remove power cord clamp and ground screw attached to ice maker power cord, which is mounted to the unit side wall.



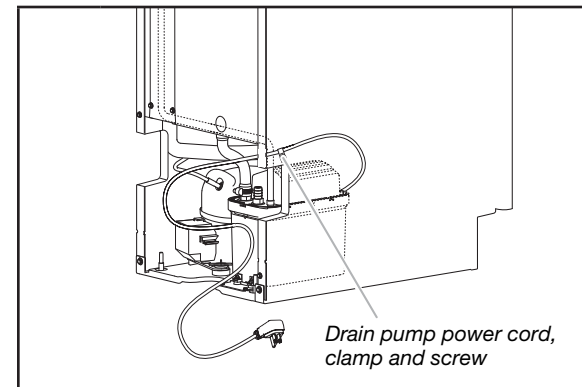
8 Slide drain pump into the ice maker base on the right side. The pump mounting tab should slip into the rectangular slot in the ice maker base. It will be necessary to tip the pump slightly to slip into the slot.

INSTALLATION

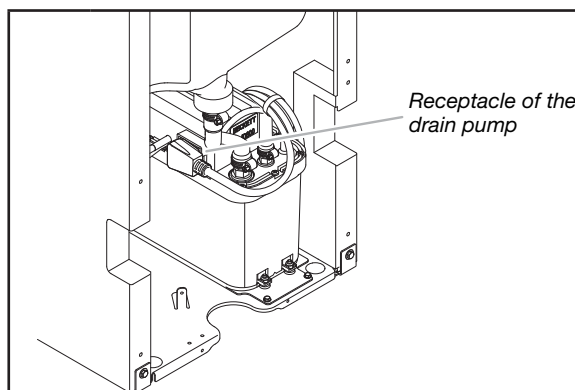
INSTALLING THE DRAIN PUMP (CONT.)



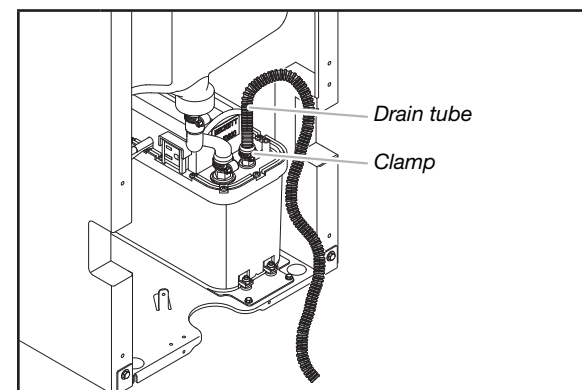
- 9** Align the 2 screw holes at the rear of the pump. Use two #8-32 x 3/8" screws, supplied.



- 11** Attach the drain pump power cord to ice maker unit side wall with clamp and screw (removed in Step 7) that was used to attach ice maker power cord.



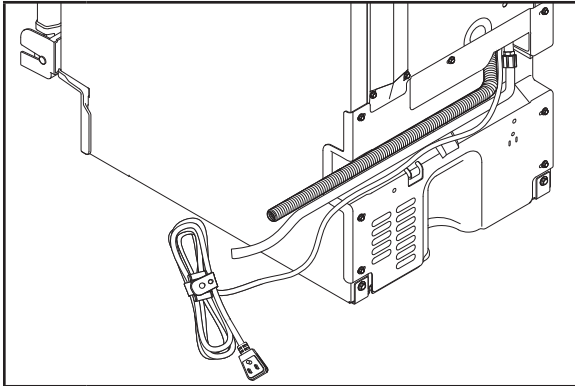
- 10** Coil ice maker power cord into a 4" (10.2 cm) diameter coil. Wrap electrical tape around the power cord in several places to keep the cord in a coil. Locate coiled power cord between the drain pump and side of enclosure and plug into the receptacle of the drain pump.



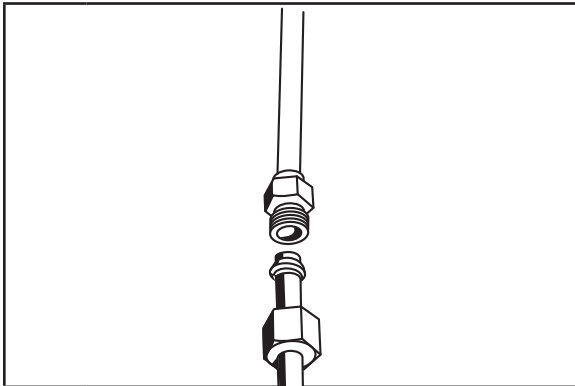
- 12** Attach 1/2" I.D. x 10 ft (3 m) drain tube to pump discharge tube. Tighten with clamp received with the drain tube.

NOTE: Do not connect outlet end of drain tube to a closed pipe system to keep drain water from backing up into the ice maker.

INSTALLATION




13 Place rear panel against the back of the ice maker. Route drain pump discharge tube and drain pump power cord, through the slot provided on the ice maker back panel.



14 Connect ice maker to water supply and install ice maker as specified by the product installation instructions. Check all connections for leaks.

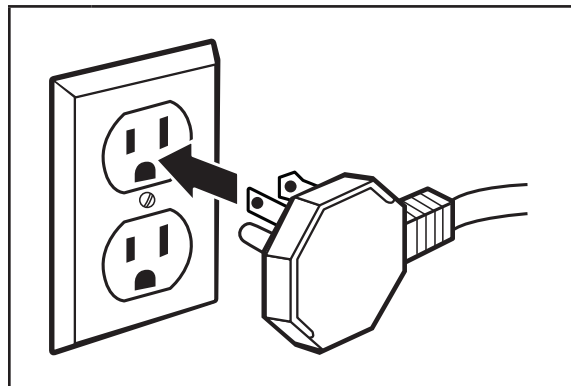
⚠ WARNING



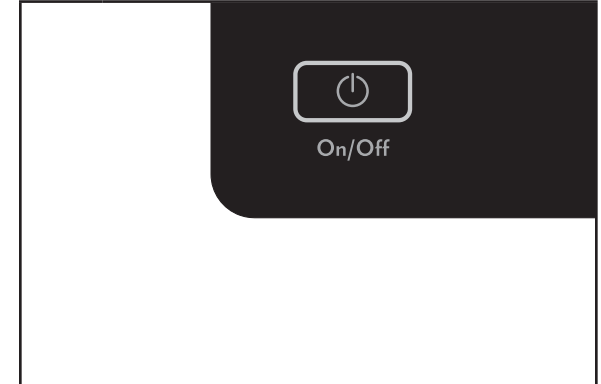
Electrical Shock Hazard

- Plug into a grounded 3 prong outlet.
- Do not remove ground prong.
- Do not use an adapter.
- Do not use an extension cord.

Failure to follow these instructions can result in death, fire, or electrical shock.



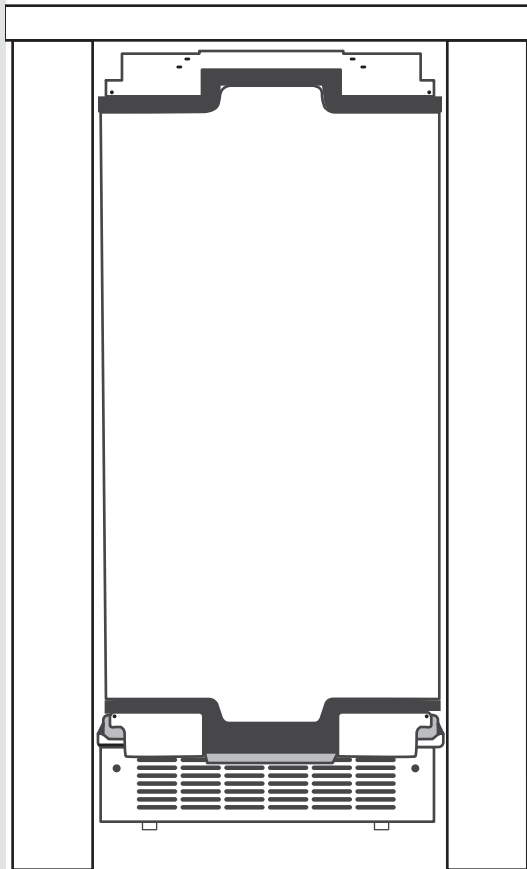
15 Plug in ice maker or reconnect power.



16 Turn on ice maker. Wait for rinsing cycle, approximately 5 minutes, to be sure the ice maker is operating properly.

INSTALLATION

CONNECTING THE DRAIN

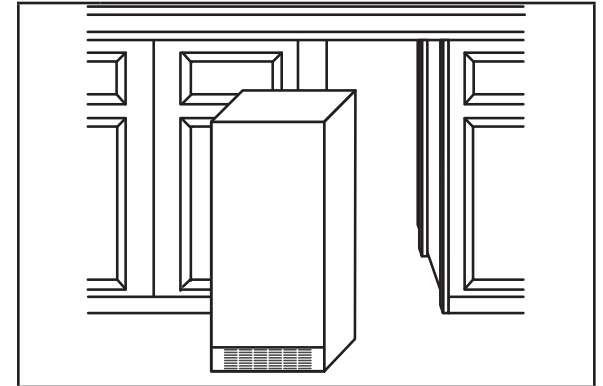


⚠ WARNING

Excessive Weight Hazard

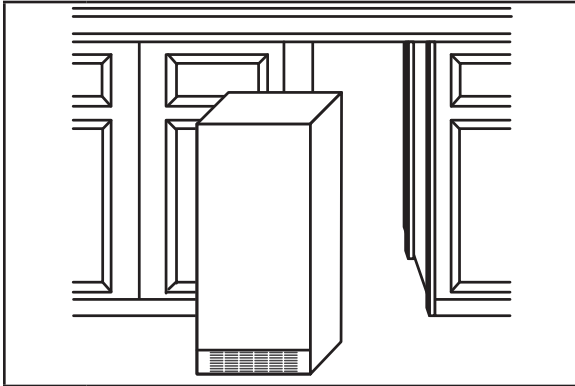
Use two or more people to move and install ice maker.

Failure to do so can result in back or other injury.



1

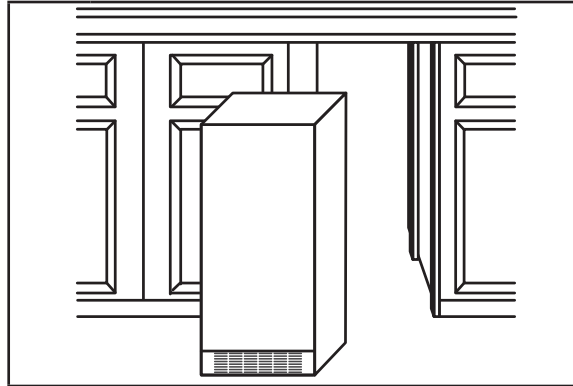
Place the ice maker near its final location.



2

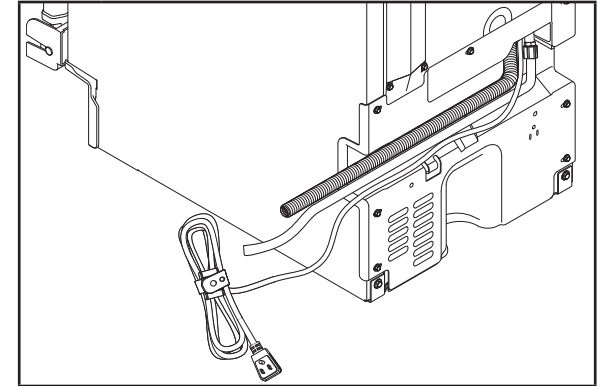
Style 1—For a gravity drain system, push the ice maker into position so that the ice maker drain tube is positioned over the PVC drain reducer. See the “Gravity Drain System” section.

Style 2—For a drain pump system, connect the drain pump outlet hose to the drain. See the “Drain Supply Requirements” section.



3

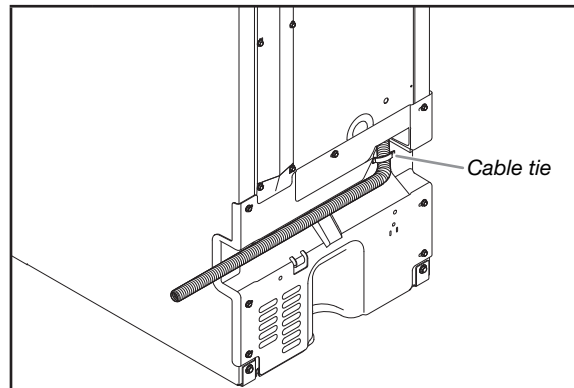
Recheck the ice maker to make sure that it is level. See the “Leveling and Securing” section.



5

Install ice maker into cabinet. Push any extra drain hose or power cord in the slot provided on the ice maker back panel. Follow the same procedure while placing the unit back in the cabinets after servicing.

NOTE: Connections can be routed out from both right and left sides. The illustration shows the connections routed out from the left side.

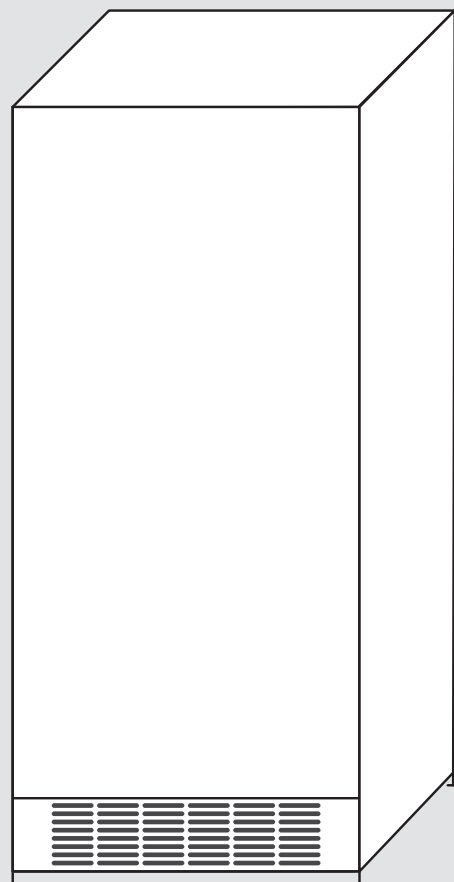


4


Using cable tie, fix the drain pipe to rear panel as shown in the illustration. Two holes are provided on rear panel to fix the cable tie.

INSTALLATION

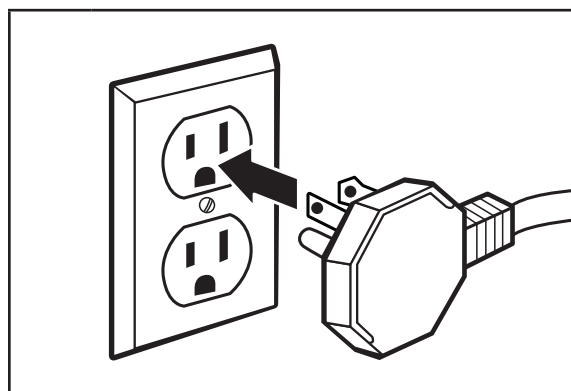
LEVELING AND SECURING



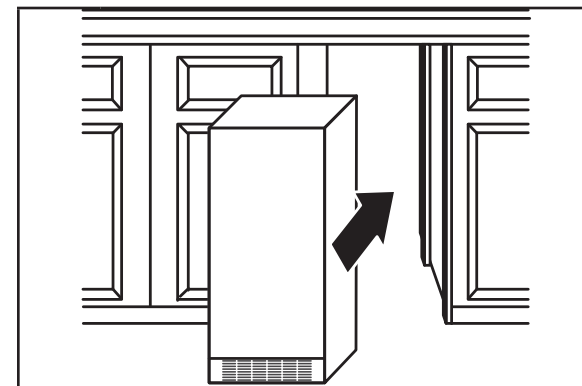
⚠ WARNING



Electrical Shock Hazard
Plug into a grounded 3 prong outlet.
Do not remove ground prong.
Do not use an adapter.
Do not use an extension cord.
Failure to follow these instructions can result in death, fire, or electrical shock.




1 Plug into a grounded 3 prong outlet.



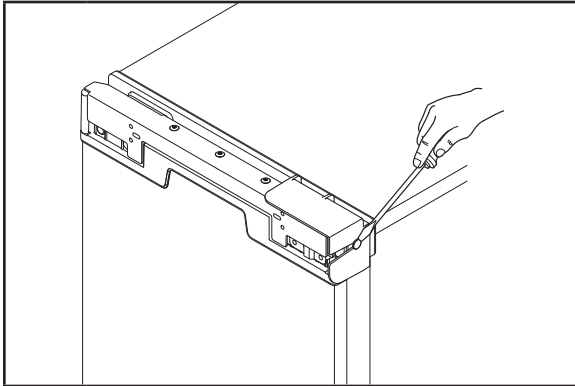
2 Move the ice maker in front of its final location.

⚠ WARNING

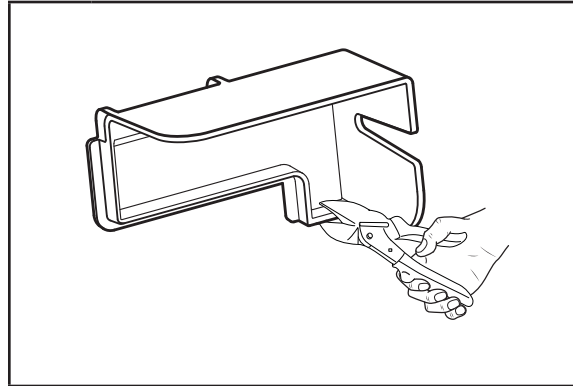


Crush Hazard
Articulated hinges are self closing and many pinch points exist prior to cabinet installation.
Do not remove hinge covers until product is ready to be installed.
Failure to follow these instructions can result in crush, cut, or pinch injuries.

INSTALLATION

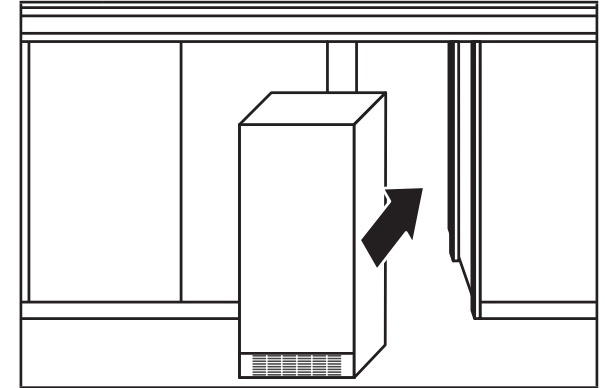


3 Remove the screws attaching top and bottom hinge covers using the flat head screwdriver.

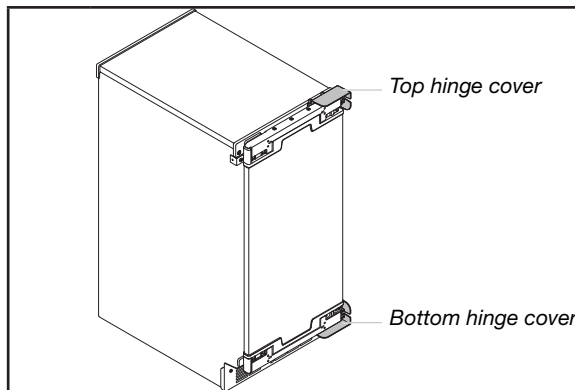


5 To remove hinge covers, cut hinge cover at indicated point using diagonal cutting plier and remove from hinges.

NOTE: Reinstall the hinge covers if product is removed from cabinet installation.

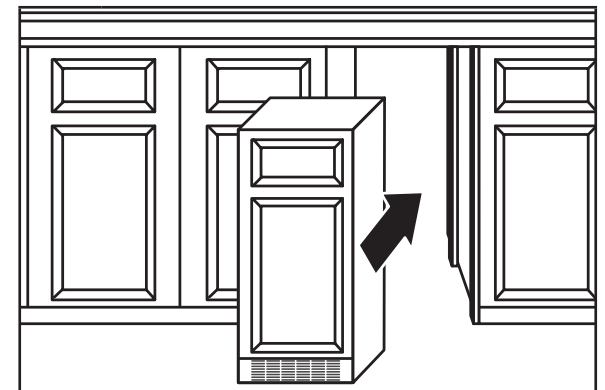


7 Slide unit into the cabinet. Adjust the unit until the unit panel is flush with adjacent cabinets from all sides.



4 Remove the hinge cover from top and bottom hinges.

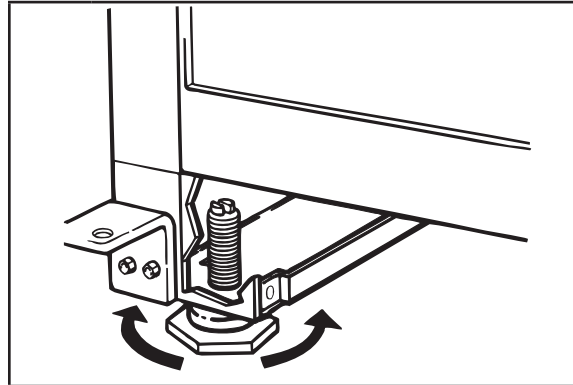
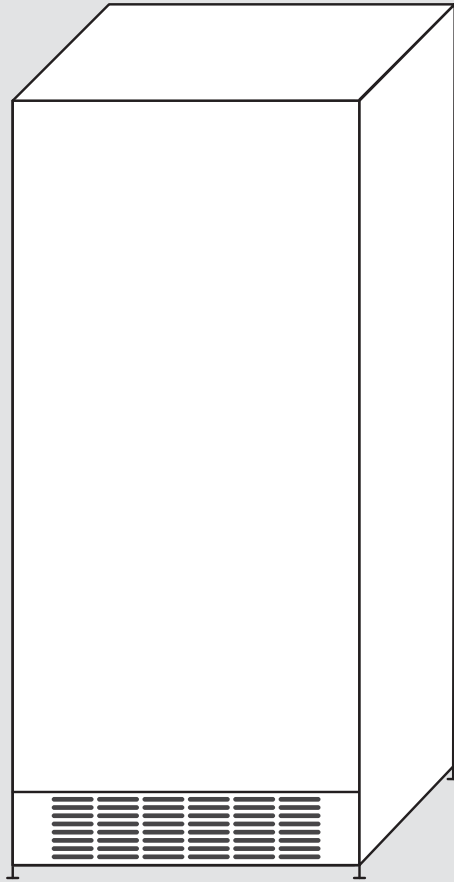
6 Refer instructions received with kit to install stainless steel panel. Skip this step and go to step 8, if custom wood panel is to be installed.



8 Slide unit into the cabinet. Hold the custom wood door panel on the door. Adjust the unit so that the panel is flush with adjacent cabinets from all sides. For stainless steel panel installation, skip this step.

INSTALLATION

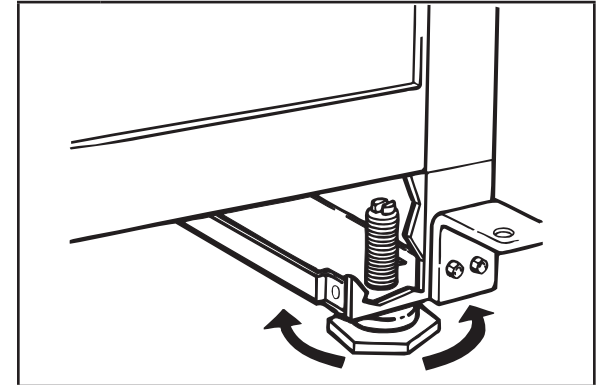
LEVELING AND SECURING (CONT.)



9

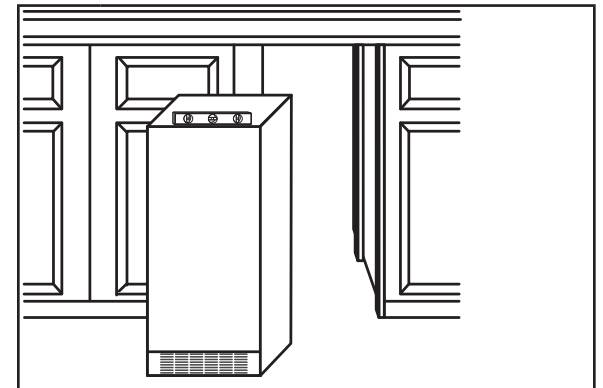
Push up on the top front of the ice maker and locate the leveling screws on the bottom front. Using an adjustable wrench, adjust the height of the legs as follows:

- Turn the leveling leg to the right to lower the ice maker.
- Turn the leveling leg to the left to raise the ice maker.



10

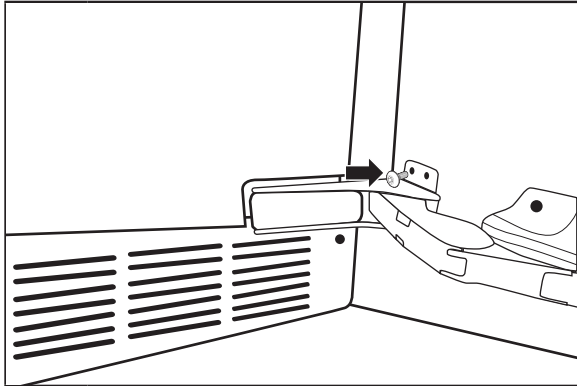
Push up on the top rear of the ice maker and locate the leveling legs on the bottom rear. Repeat instructions in Step 3 to adjust the height of the rear legs.



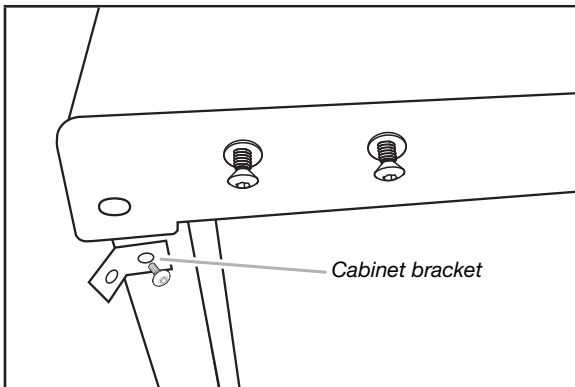
11

Use the level to recheck that the ice maker is even from front to back and side to side. If the ice maker is not level, repeat steps 9-10.

INSTALLATION



12 Secure the top and bottom hinges to the side of the cabinet using wood screws.

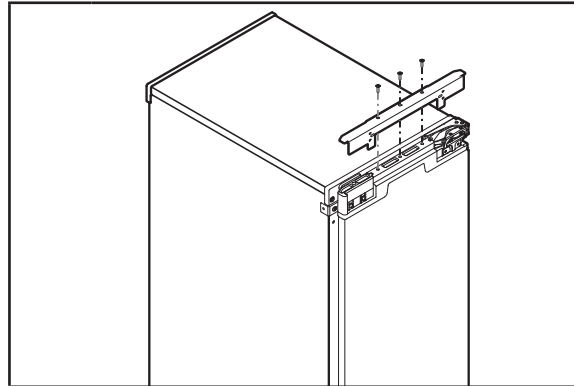
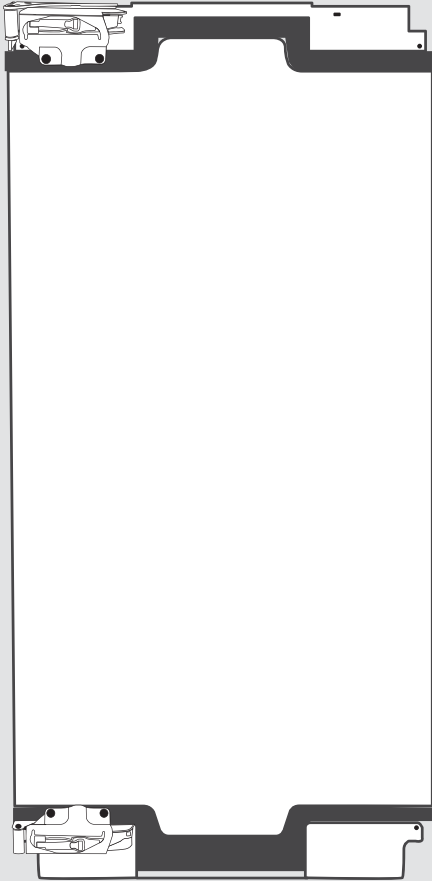


13 Holes are provided on the non hinge side for cabinet brackets installation. Attach cabinet brackets (provided with unit) to front of ice maker as shown in the illustration. Attach the cabinet brackets to the side of the cabinet with wood screws.

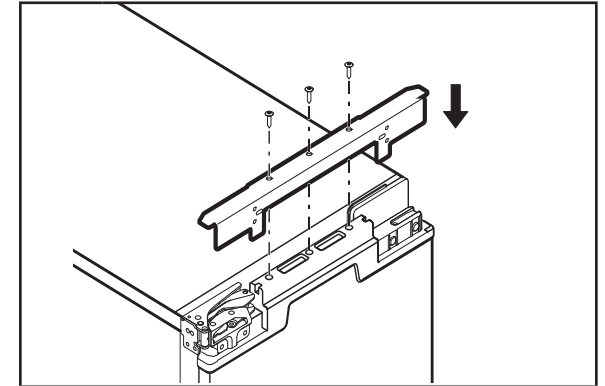
INSTALLATION

! If stainless steel panel is installed, skip "Custom Wood Door Panel" section.

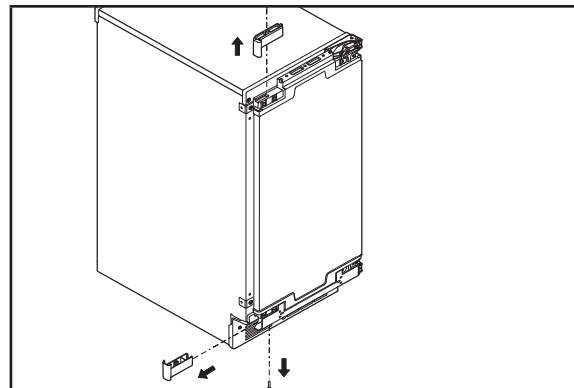
CUSTOM WOOD DOOR PANEL



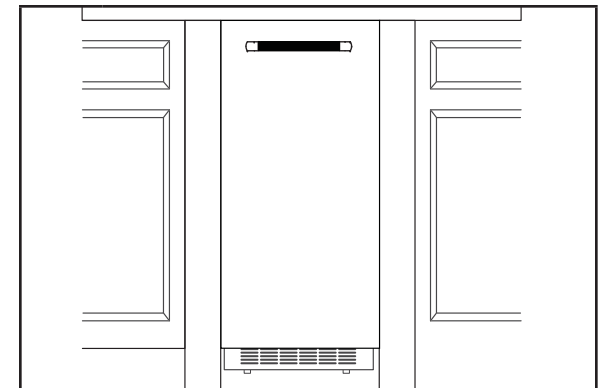
1 Remove screws (3) from the top metal bracket. Remove and place metal bracket aside.



3 Reinstall top metal bracket using screws (3) removed in Step 1.

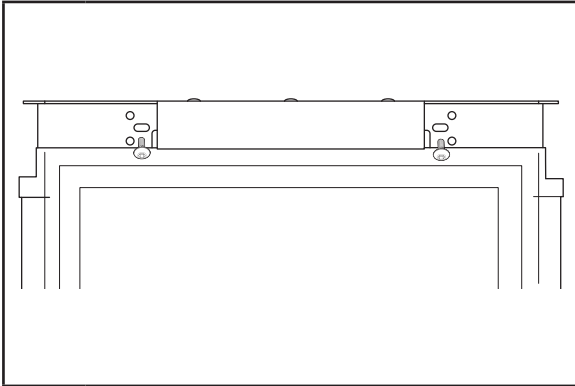


2 Remove top and bottom end caps and place aside.

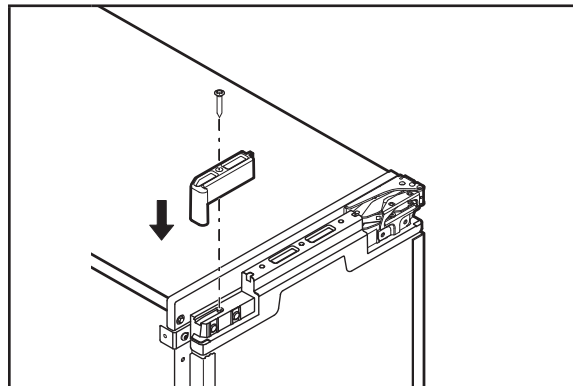


4 Lightly press the custom panel onto the door using double sided adhesive tape. Adjust height of the panel to achieve a 1/8" (3.175 mm) gap between top of door panel and counter sealing gap. Press the panel firmly against door.

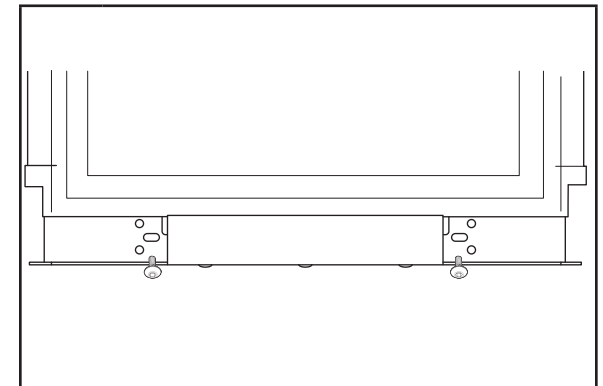
INSTALLATION



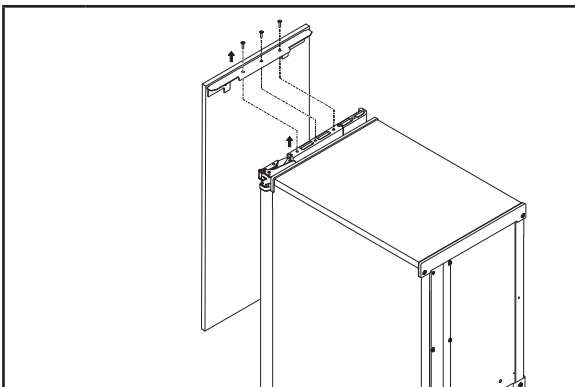
5 From inside the door, install the wood screws (2) through the slotted holes in the top metal bracket. Adjust the panel side to side to achieve a 1/8" (3.175 mm) gap on both sides. Install the remaining screws through the door bracket into the panel.



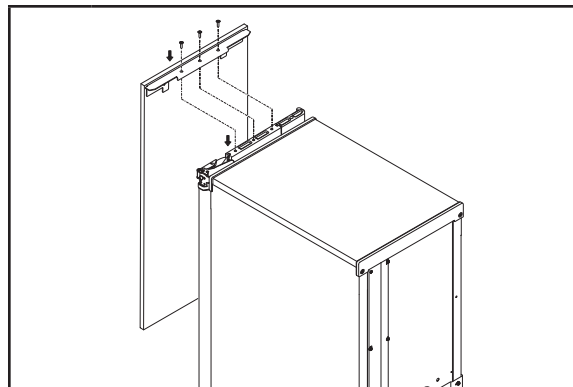
7 Replace the top end cap into the door panel.



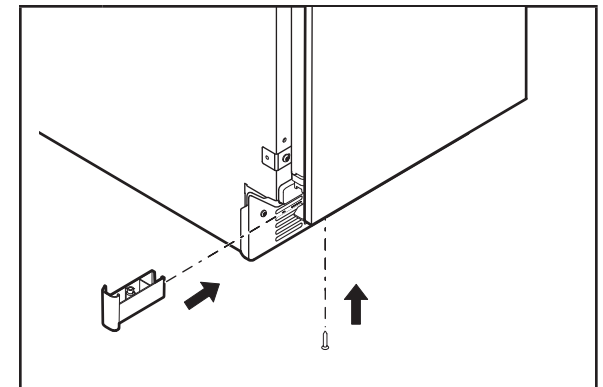
9 From inside the door, install wood screws (6) through the holes in the bottom metal bracket.



6 Remove top metal bracket along with custom wood panel from ice maker door and place aside.



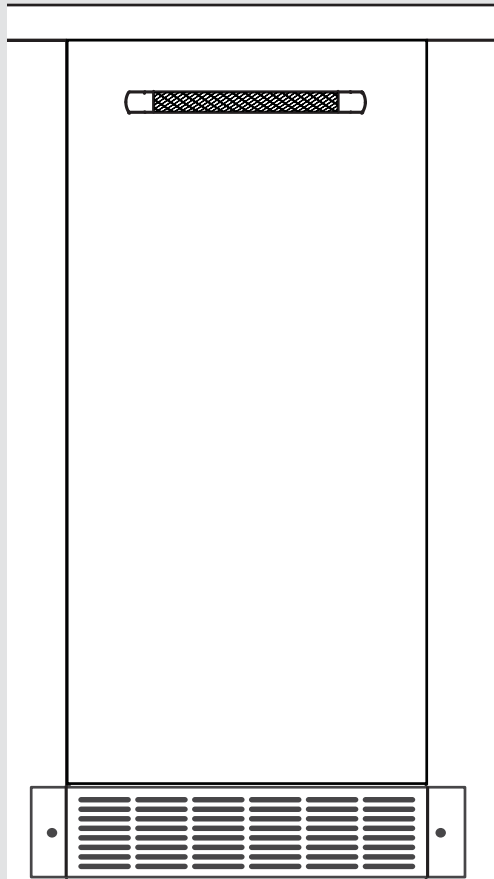
8 Reinstall the top metal bracket along with custom wood panel on ice maker door.



10 Reinstall the bottom end cap.

INSTALLATION

INSTALLING AUXILIARY GRILL



The auxiliary grill is an optional accessory. It can be used to align the toe grill with the rest of the cabinets (while not obstructing ventilation of the ice maker).

NOTE: Install auxiliary grill only after finishing the complete ice maker installation.

Tools required:

- TORX T20 screwdriver
- 1/8" straight drill bit and power drill

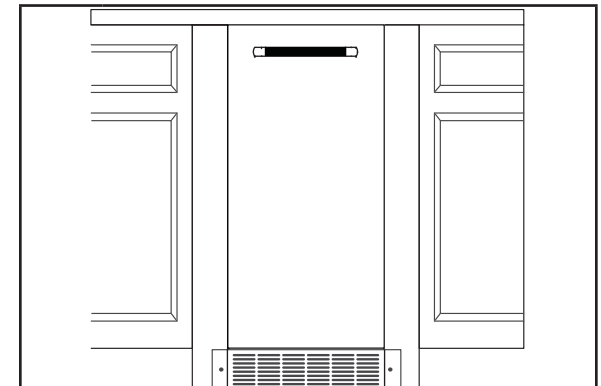
1 Remove packaging material and discard it.

2 Remove the screws that are taped inside the auxiliary grill.

3 Place grill onto cabinetry. Align part so that grating pattern on the auxiliary grill matches that of the toe grill on the ice maker.

4 Center auxiliary grill on cut out for ice maker. Mark hole locations on each side of auxiliary grill on cabinet.

5 Using power drill and a 1/8" drill bit, drill holes in cabinet. This is to fit screws of size #8-18 x 0.750".



6 Using the TORX T20 screwdriver, screw auxiliary grill into cabinet.

APPENDIX

ACCESSORIES

IMPORTANT: A drain pump is necessary when a floor drain is not available. A Drain Pump kit, Part Number 1901A, is available for purchase at jennair.com/accessories/details/1901A.

NOTE: It may be desirable to insulate the drain line thoroughly up to the drain inlet. An Insulation Sleeve kit, Part Number W10365792, is available for purchase at jennair.com/accessories/details/W10365792.

To order a Stainless Steel door panel kit, visit jennair.com.

| APPENDIX

NOTES:

