
MICROWAVE HOOD COMBINATION INSTALLATION INSTRUCTIONS

This product is suitable for use above electric or gas cooking products up to and including 24" (61.0 cm) wide. See "Installation Requirements" section for further details.

BEFORE BEGINNING PLEASE NOTE:

- Read these Installation Instructions in their entirety before starting.
- Vent system is required for this installation. See "Venting Requirements" section.
- When installation is complete, the microwave oven's galvanized upper component housing will be visible above the microwave oven. The housing may be covered using a stainless steel filler panel (not provided) or with customized cabinetry. See "Complete Installation" section.

ENSEMBLE FOUR À MICRO-ONDES/HOTTE INSTRUCTIONS D'INSTALLATION

Ce produit peut être installé au-dessus de produits de cuisson électriques ou à gaz d'une largeur maximale de 24" (61 cm). Voir la section "Exigences d'installation" pour plus de détails.

AVANT DE COMMENCER, NOTER LES POINTS SUIVANTS :

- Lire la totalité de ces instructions d'installation avant de commencer.
- Cette installation nécessite un système d'évacuation. Voir la section "Exigences du circuit d'évacuation".
- Une fois l'installation terminée, le compartiment supérieur galvanisé du four à micro-ondes sera apparent au-dessus du four à micro-ondes. Le compartiment peut être recouvert d'un panneau de remplissage en acier inoxydable (non fourni) ou d'un élément de placard personnalisé. Voir la section "Achever l'installation".

Table of Contents / Table des matières

MICROWAVE HOOD COMBINATION SAFETY	2	SÉCURITÉ DE L'ENSEMBLE FOUR À MICRO-ONDES/HOTTE	12
INSTALLATION REQUIREMENTS	2	EXIGENCES D'INSTALLATION	12
Tools and Parts.....	2	Outils et pièces	12
Location Requirements	3	Exigences d'emplacement.....	13
Product Dimensions	3	Dimensions du produit	13
Electrical Requirements.....	4	Spécifications électriques	14
Venting Requirements	4	Exigences du circuit d'évacuation	14
INSTALLATION INSTRUCTIONS	6	INSTRUCTIONS D'INSTALLATION	16
Install L-Brackets.....	6	Installation des supports en "L"	16
Prepare Upper Cabinet.....	6	Préparation du placard mural.....	16
Install Stainless Steel Panel Kit (optional steps)	6	Installation du panneau en acier inoxydable (étapes facultatives).....	17
Install the Microwave Oven	7	Installation du four à micro-ondes	17
Install Damper Assembly	7	Installation du clapet anti-retour	18
Install Bottom Plate	8	Installation de la plaque inférieure.....	18
Install Rear Trim.....	8	Installation de la garniture arrière.....	19
Install Visor.....	9	Installation de l'écran mobile.....	19
Install Charcoal Filter Kit (for recirculation venting only).....	9	Installation du filtre à charbon (pour une installation avec recyclage uniquement)	20
Install Grease Filter	9	Installation du filtre à graisse.....	20
Complete Installation.....	10	Achever l'installation.....	21
ASSISTANCE	11	ASSISTANCE	22
Replacement Parts	11	Pièces de rechange.....	22
Kits	11	Ensembles	22

MICROWAVE HOOD COMBINATION SAFETY

Your safety and the safety of others are very important.

We have provided many important safety messages in this manual and on your appliance. Always read and obey all safety messages.



This is the safety alert symbol.

This symbol alerts you to potential hazards that can kill or hurt you and others.

All safety messages will follow the safety alert symbol and either the word "DANGER" or "WARNING."

These words mean:

⚠ DANGER

You can be killed or seriously injured if you don't immediately follow instructions.

⚠ WARNING

You can be killed or seriously injured if you don't follow instructions.

All safety messages will tell you what the potential hazard is, tell you how to reduce the chance of injury, and tell you what can happen if the instructions are not followed.

INSTALLATION REQUIREMENTS

Tools and Parts

Tools Needed

Gather the required tools and parts before starting installation. Read and follow the instructions provided with any tools listed here.

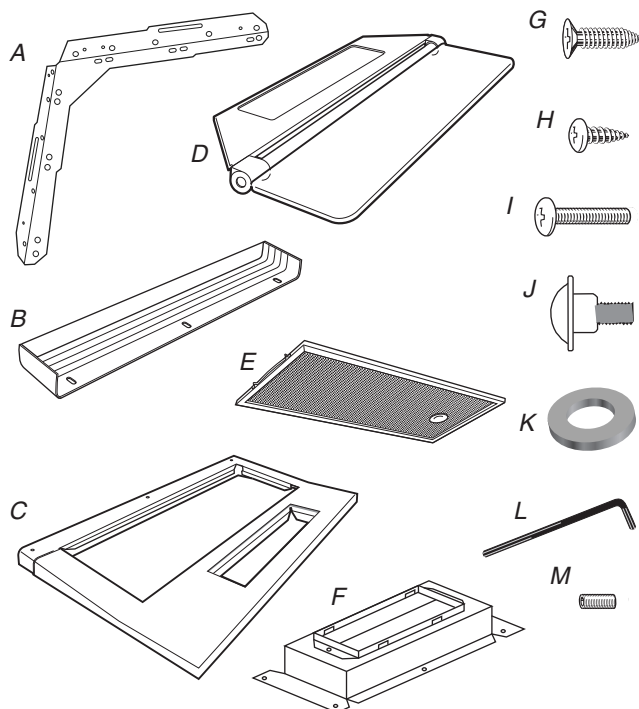
- Measuring tape
- Pencil
- Box cutter
- No. 3 Phillips screwdriver
- Drill
- 1½" (3.8 cm) diam. hole drill bit for wood
- 2 mm drill bit
- ¾" (19 mm) hole saw
- Keyhole saw
- Duct tape
- Level

Materials needed

- Standard fittings for venting. See "Venting Requirements" section.

Parts Supplied

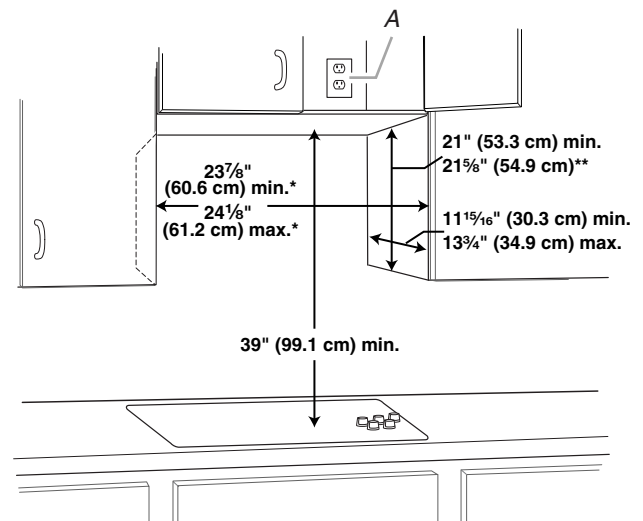
For information on ordering, see "Replacement Parts" section.



- | | |
|--------------------|-------------------------------|
| A. L-brackets (2) | G. 16 mm wood screws (10) |
| B. Rear trim | H. 9.5 mm metal screws (10) |
| C. Bottom plate | I. 16 mm round-head bolts (2) |
| D. Visor | J. 17 mm shoulder screws (2) |
| E. Grease filter | K. Washers (2) |
| F. Damper assembly | L. Hex key |
| | M. Leveling screws (4) |

Installation Dimensions

NOTE: The grounded 3 prong outlet must be inside the upper cabinet. See "Electrical Requirements" section.



A. Grounded 3 prong outlet

*Measure from the front edges of the side cabinets.

**For installation with stainless steel filler panel.

NOTE: To avoid stress on the power cord, a minimum of 1 1/2" (3.8 cm) must exist between the top surface of the microwave oven's upper component housing and the bottom of the upper cabinet.

Location Requirements

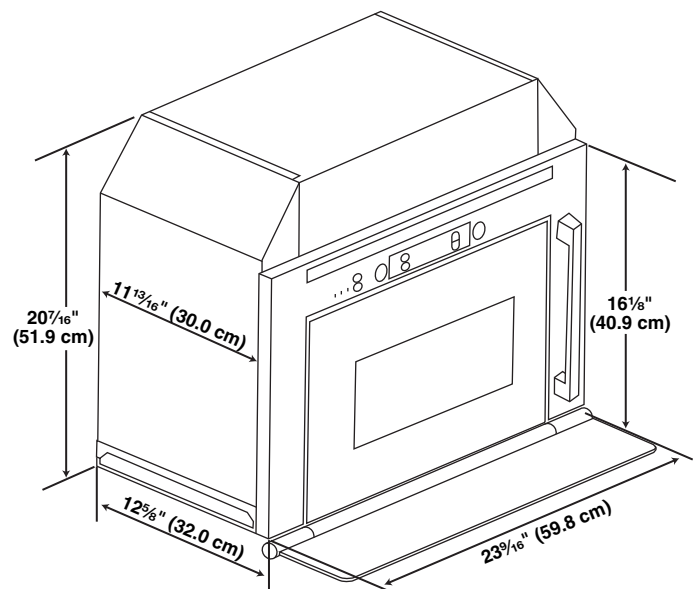
Check the opening where the microwave oven will be installed. The location must provide:

- Minimum installation dimensions. See "Installation Dimensions" illustration.
- Side cabinets: Support for weight of 75 lbs (34 kg) each, which includes microwave oven and items placed inside the microwave oven and side cabinets.
- Grounded electrical outlet inside upper cabinet. See "Electrical Requirements" section.

NOTES:

- Installation requires venting above the microwave oven.
- Recirculation installation requires venting through a kitchen soffit. See "Venting Requirements" section. A charcoal filter kit should be used for recirculation. See "Assistance" section for information on ordering.
- If you are using a rectangular to round transition piece, 3" (7.6 cm) clearance needs to exist above the damper assembly so that the damper blade can open freely and fully. See "Rectangular to Round Transition" illustration in "Venting Requirements" section.
- Some cabinet and building materials are not designed to withstand the heat produced by the microwave oven for cooking. Check with your builder or cabinet supplier to make sure that the materials used will not discolor, delaminate or sustain other damages.

Product Dimensions



Electrical Requirements

⚠ WARNING



Electrical Shock Hazard

Plug into a grounded 3 prong outlet.

Do not remove ground prong.

Do not use an adapter.

Do not use an extension cord.

Failure to follow these instructions can result in death, fire, or electrical shock.

Observe all governing codes and ordinances.

Required:

- A 120 volt, 60 Hz, AC only, 15- or 20-amp electrical supply with a fuse or circuit breaker.

Recommended:

- A time-delay fuse or time-delay circuit breaker.
- A separate circuit serving only this microwave oven.

GROUNDING INSTRUCTIONS

■ For all cord connected appliances:

The microwave oven must be grounded. In the event of an electrical short circuit, grounding reduces the risk of electric shock by providing an escape wire for the electric current. The microwave oven is equipped with a cord having a grounding wire with a grounding plug. The plug must be plugged into an outlet that is properly installed and grounded.

WARNING: Improper use of the grounding plug can result in a risk of electric shock. Consult a qualified electrician or serviceman if the grounding instructions are not completely understood, or if doubt exists as to whether the microwave oven is properly grounded.

Do not use an extension cord. If the power supply cord is too short, have a qualified electrician or serviceman install an outlet near the microwave oven.

SAVE THESE INSTRUCTIONS

Venting Requirements

This section is intended for architectural designer and builder/contractor reference only.

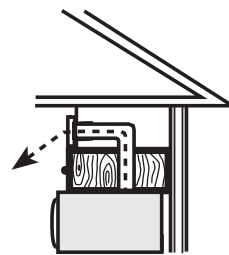
NOTES:

- If installing for recirculation, venting must be routed up and out through an exhaust register (not provided) in a kitchen soffit. A charcoal filter kit (not provided) should be used. See "Assistance" section for information on ordering.
- Vent materials needed for installation are not provided with microwave hood combination.
- We do not recommend using a flexible metal vent.
- To avoid possible product damage, be sure to vent air outside, unless using recirculation installation. Do not vent exhaust air into concealed spaces, such as spaces within walls or ceilings, attics, crawl spaces or garages.

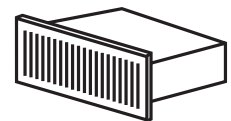
For optimal venting installation, we recommend:

- using roof or wall caps that have back draft dampers
- using a rigid metal vent
- using the most direct route by minimizing the length of the vent and number of elbows to provide efficient performance
- using uniformly sized vents
- using duct tape to seal all joints in the vent system
- using caulking compound to seal exterior wall or roof opening around cap
- for optimal hood performance, do not install 2 elbows together

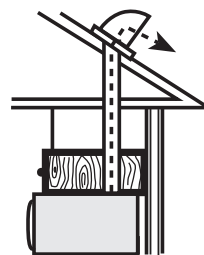
If rectangular to round transition is used, be sure there is at least 3" (7.6 cm) of clearance between the top of the damper assembly and the transition piece. See "Rectangular to Round Transition" illustration.



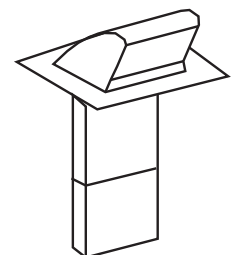
Recirculation venting



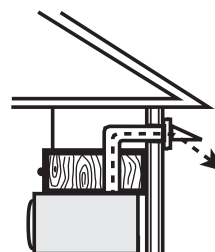
Exhaust register



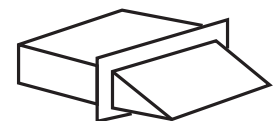
Roof venting



Roof cap



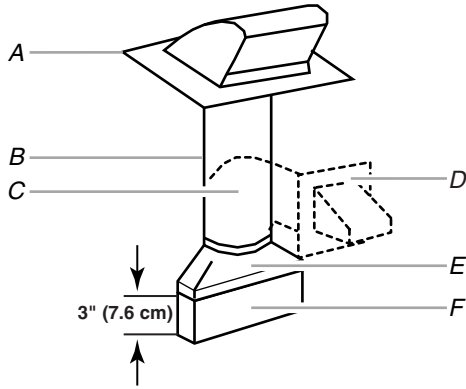
Wall venting



Wall cap

Rectangular to Round Transition

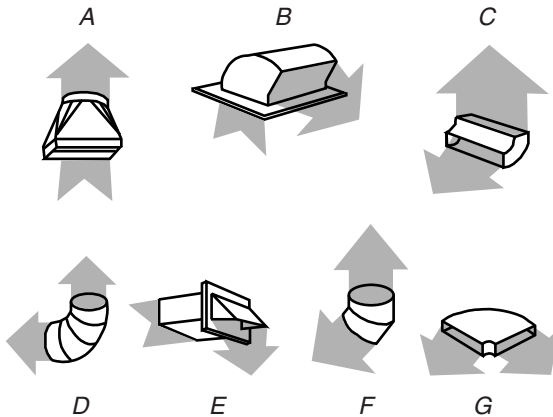
NOTE: The minimum 3" (7.6 cm) clearance must exist between the top of the damper assembly and the rectangular to round transition piece so that the damper can open freely and fully.



- A. Roof cap
- B. 6" (15.2 cm) min. diameter round vent
- C. Elbow (for wall venting only)
- D. Wall cap
- E. 3 1/4" x 10" to 6" (8.3 x 25.4 cm to 15.2 cm) rectangular to round transition piece
- F. Vent extension piece, at least 3" (7.6 cm) high

Recommended Standard Fittings

The following length equivalents are for use when figuring vent length. See the examples in "Recommended Vent Length."



- A. Rectangular to round transition piece: 3 1/4" x 10" to 6" = 5 ft (8.3 x 25.4 cm to 15.2 cm = 1.5 m)
- B. Roof cap: 3 1/4" x 10" = 24 ft (8.3 x 25.4 cm = 7.3 m)
- C. 90° elbow: 3 1/4" x 10" = 25 ft (8.3 x 25.4 cm = 7.6 m)
- D. 90° elbow: 6" = 10 ft (15.2 cm = 3 m)
- E. Wall cap: 3 1/4" x 10" = 40 ft (8.3 x 25.4 cm = 12.2 m)
- F. 45° elbow: 6" = 5 ft (15.2 cm = 1.5 m)
- G. 90° flat elbow: 3 1/4" x 10" = 10 ft (8.3 x 25.4 cm = 3 m)

Recommended Vent Length

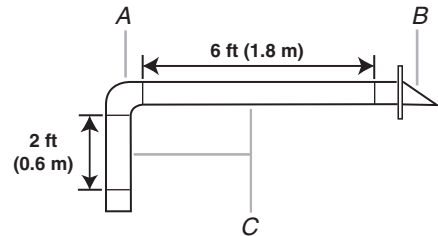
A 3 1/4" x 10" (8.3 x 25.4 cm) rectangular or 6" (15.2 cm) round vent should be used.

The total length of the vent system including straight vent, elbow(s), transitions and wall or roof caps must not exceed the equivalent of 140 ft (42.7 m) for either type of vent. See "Recommended Standard Fittings" section for equivalent lengths.

For best performance, use no more than three 90° elbows.

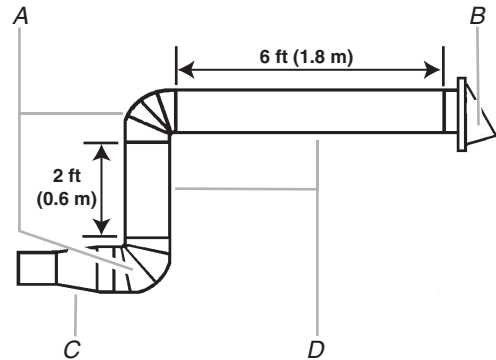
To calculate the length of the system you need, add the equivalent lengths of each vent piece used in the system. See the following examples:

3 1/4" x 10" (8.3 x 25.4 cm) vent system = 73 ft (22.2 m) total



- A. One 3 1/4" x 10" (8.3 x 25.4 cm) 90° elbow = 25 ft (7.6 m)
- B. 1 wall cap = 40 ft (12.2 m)
- C. 2 ft (0.6 m) + 6 ft (1.8 m) straight = 8 ft (2.4 m)

6" (15.2 cm) vent system = 73 ft (22.2 m) total



- A. Two 90° elbows = 20 ft (6.1 m)
- B. 1 wall cap = 40 ft (12.2 m)
- C. 1 rectangular to round transition piece = 5 ft (1.5 m)
- D. 2 ft (0.6 m) + 6 ft (1.8 m) straight = 8 ft (2.4 m)

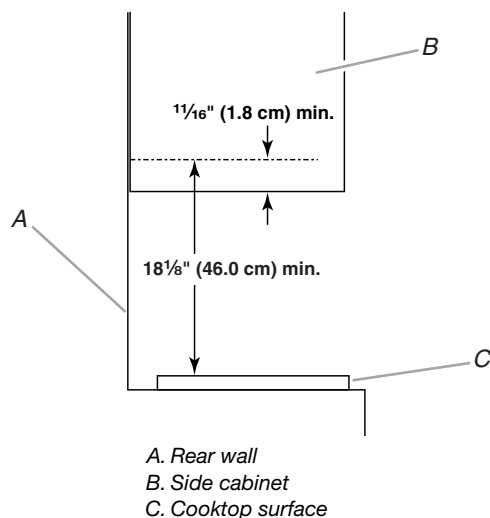
If the existing vent is round, a rectangular to round transition piece must be used. In addition, a rectangular 3" (7.6 cm) extension vent between the damper assembly and rectangular to round transition piece must be installed to keep the damper from sticking.

INSTALLATION INSTRUCTIONS

Install L-Brackets

1. Measure and mark a line on each of the side cabinets at least 18 $\frac{1}{8}$ " (46.0 cm) above the surface of the cooktop. See "Installation Dimensions" in the "Location Requirements" section.

Make sure each line is level front to back, and that the lines are level to each other.

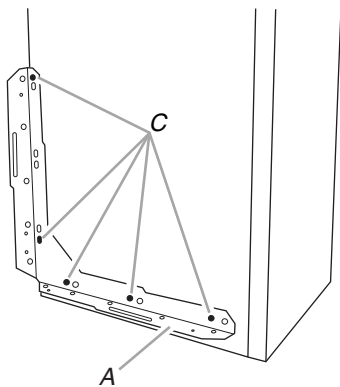


2. Hold L-bracket against the side cabinet, with the bottom of the horizontal arm aligning with the line drawn in Step 1, and the vertical arm against the rear wall.

NOTES:

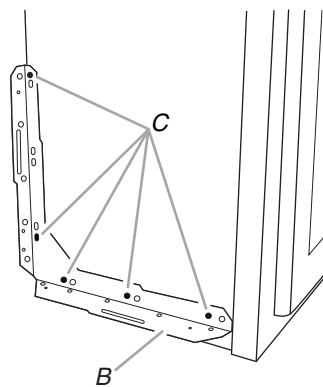
- If installing into frameless or flush face-frame cabinetry (no front face or protruding trim), position each bracket so that the narrow arm is horizontal, and the wide arm is against the rear wall.
 - If installing into face-frame cabinetry, position each bracket so that the wide arm is horizontal, and the narrow arm is against the rear wall.
3. Mark 3 holes through the horizontal arm onto the side cabinet, then mark 2 holes through the vertical arm onto the side cabinet, 1 at the top and 1 at the bottom.

Installation into frameless or flush face-frame cabinetry



A. Narrow arm
B. Wide arm
C. Mounting holes

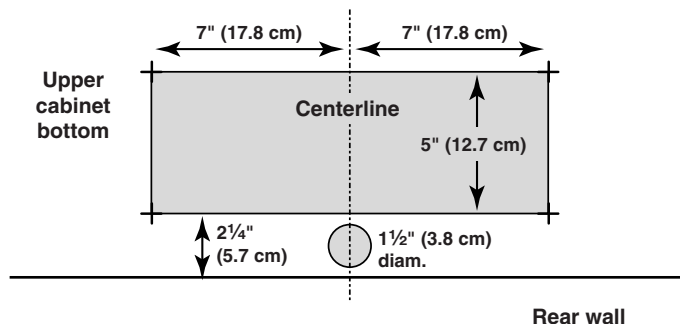
Installation into face-frame cabinetry



4. Using 2 mm drill, drill holes marked in Step 3.
5. Secure L-brackets to side cabinets with ten 16 mm wood screws, 5 in each L-bracket.

Prepare Upper Cabinet

1. Find the centerline of the installation space. Mark the centerline on the bottom of the upper cabinet.
2. Measure and mark the power cord and vent holes, as shown, making sure they are centered on the centerline.



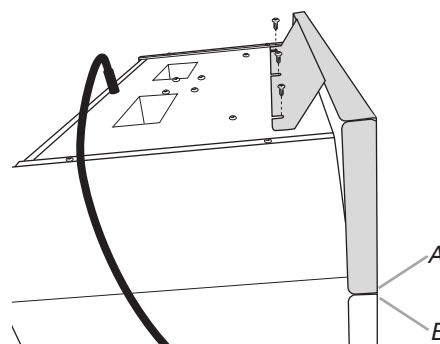
3. Cut the power cord hole using the 1 $\frac{1}{2}$ " (3.8 cm) hole drill bit.
4. Cut 3/4" (19 mm) hole at one corner of the vent hole marking.
5. Using a keyhole saw, cut out the rectangular vent area.

Install Stainless Steel Panel Kit (optional steps)

If you decide to cover the upper component housing with the stainless steel panel (not provided), you will need to order the stainless steel panel kit. See "Assistance" section for information on ordering.

The panel must be attached to the microwave oven before installation.

1. Peel off adhesive strip covers on bottom edge of panel, and place the panel on the top edge of the front facing of the microwave oven.



A. Bottom edge of stainless steel panel
B. Top edge of microwave oven front facing

2. Secure panel to upper component housing with 3 mounting screws.

Install the Microwave Oven

1. Remove any contents of the microwave oven.

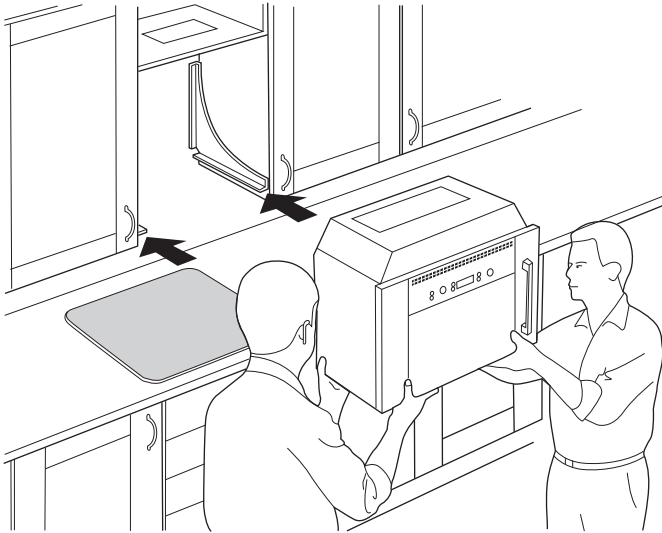
! WARNING

Excessive Weight Hazard

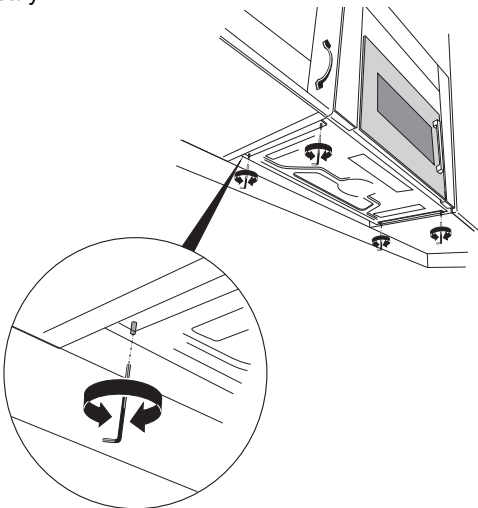
Use two or more people to move and install microwave oven.

Failure to do so can result in back or other injury.

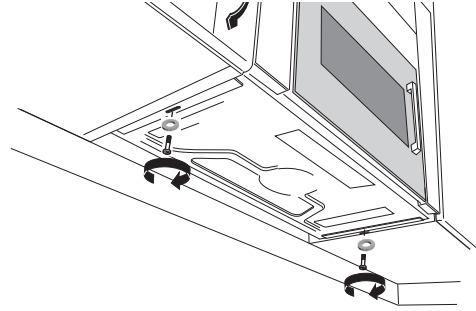
2. Using 2 or more people, lift microwave oven, and place it onto the L-brackets. Gently slide the microwave oven back against the rear wall.



3. Check level of microwave oven.
4. Start the leveling screws in the front and back holes of the L-bracket bases, and adjust the level using the hex key, if necessary.

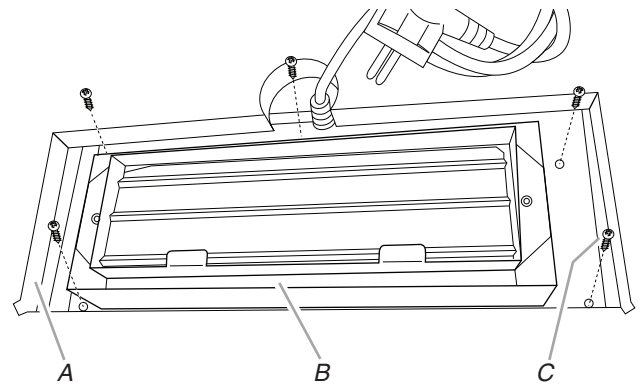


5. Place a washer on each 16 mm round-head bolt, then install each bolt through the L-bracket base slot, into the mounting hole in the bottom of the microwave oven. Do not overtighten.



Install Damper Assembly

1. Insert damper assembly through the upper cabinet cutout, and orient it so that the 3 mounting holes are toward the back of the microwave oven.



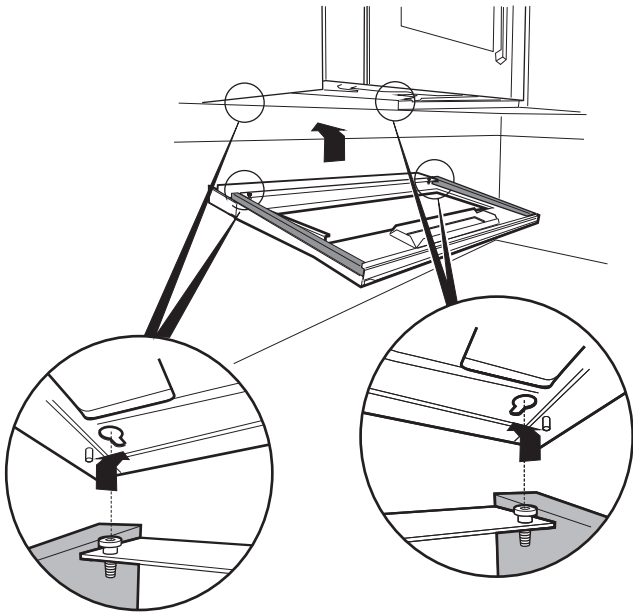
A. Damper assembly
B. Upper cabinet cutout
C. 9.5 mm metal screws (5)

2. Secure the damper assembly to the upper component housing with five 9.5 mm metal screws.

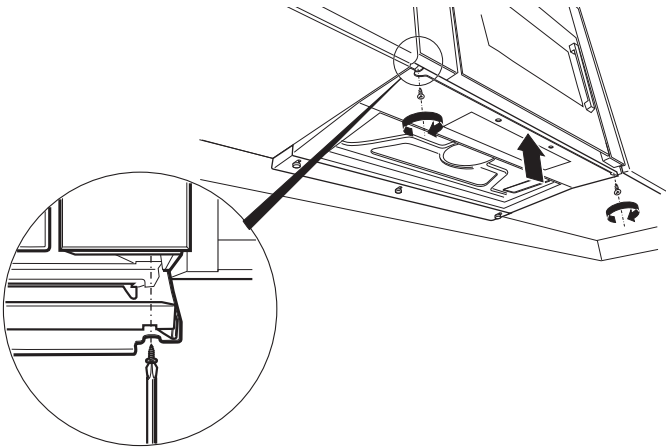
Install Bottom Plate

NOTE: Pre-tap front mounting holes prior to bottom plate attachment. (See Step 2.)

1. Hook the heads of the screws through the keyholes at the back of the microwave oven bottom, as shown, then slide bottom plate back.

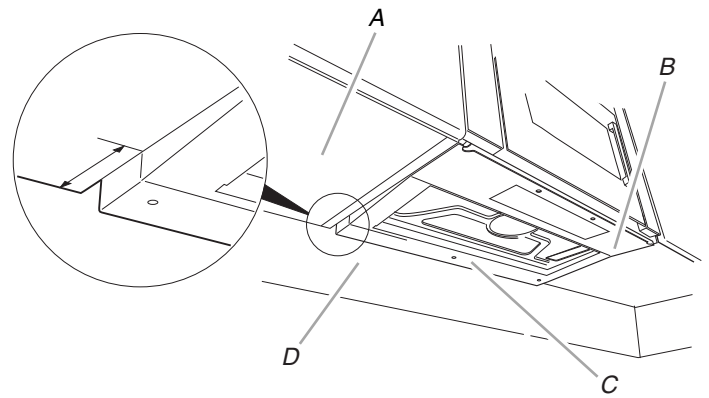


2. Secure bottom plate onto microwave oven bottom using two 9.5 mm metal screws through the front mounting holes.



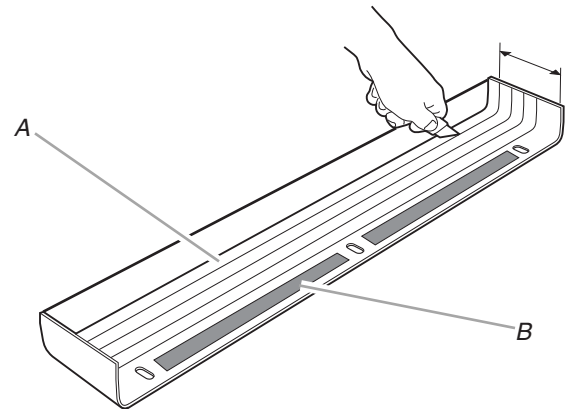
Install Rear Trim

1. Measure the distance from the rear wall to the front edge of the rear frame of the bottom plate.



A. Left side cabinet bottom
B. Bottom plate
C. Rear frame of bottom plate
D. Rear wall

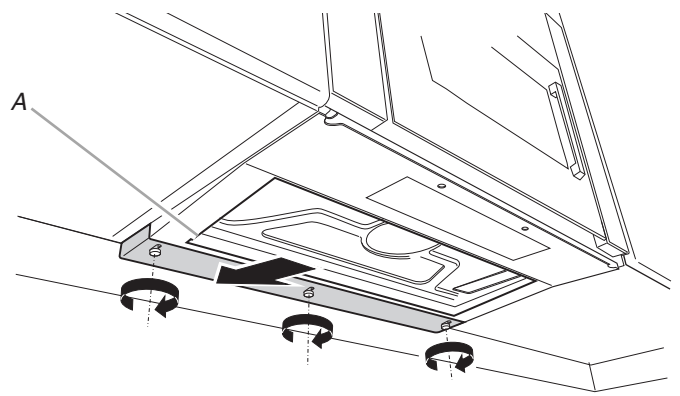
2. Cut the rear trim to the same measurement.



A. Rear trim
B. Adhesive cover

3. Peel off adhesive strip covers, and place the rear trim against the rear wall and microwave oven bottom.

NOTE: Make sure trim does not cover the opening for grease filter.

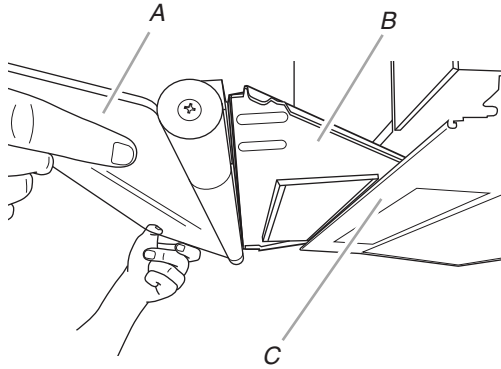


A. Opening for grease filter

4. Secure rear trim with three 9.5 mm metal screws.

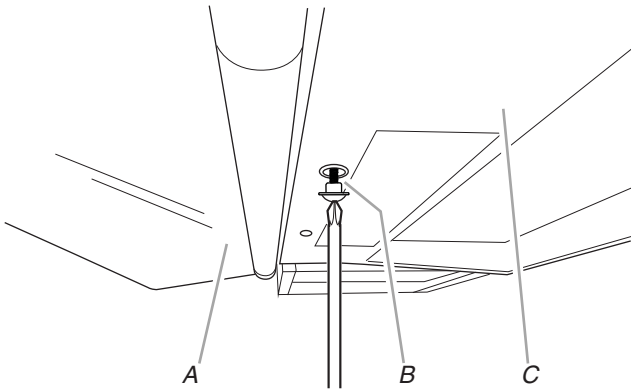
Install Visor

1. Open visor, and slide its mounting tray – with the mounting tray edges facing down – into the slot between the microwave oven bottom and the bottom plate, as shown.



A. Visor
B. Visor mounting tray
C. Bottom plate

2. Secure visor by installing two 17 mm shoulder screws through the bottom plate into the visor mounting tray.



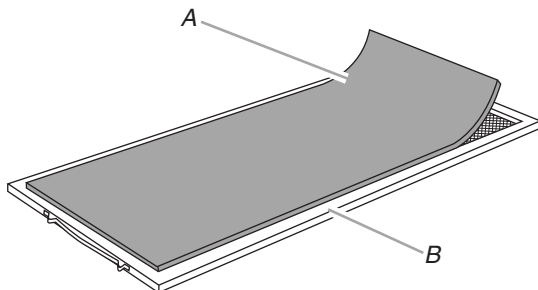
A. Visor
B. 17 mm shoulder screws
C. Bottom plate

Install Charcoal Filter Kit (for recirculation venting only)

The charcoal filter kit should be used. See “Assistance” section for information on ordering.

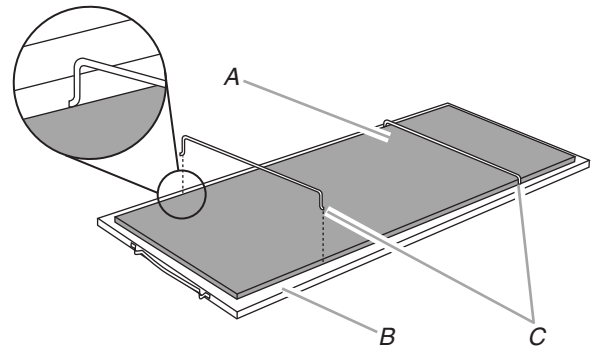
To Install Charcoal Filter:

1. Cover the inside of the grease filter with the charcoal filter.



A. Charcoal filter
B. Grease filter

2. Insert wire rods to hold charcoal filter in place.

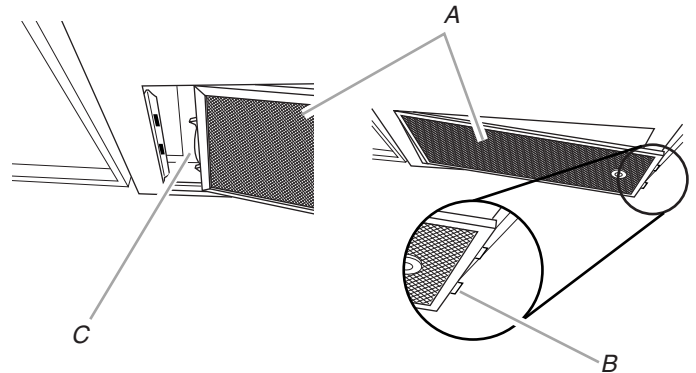


A. Charcoal filter
B. Grease filter
C. Wire rods

3. Install grease filter. See “Install Grease Filter” section.

Install Grease Filter

1. Place bracket end of the grease filter into one side of the bottom plate opening, push toward the bracket end, and swing up the tabbed end of the grease filter.



A. Grease filter
B. Tabs
C. Bracket

2. Push the tabbed end of the grease filter up until the tabs are above the opening, then release the tension.

Complete Installation

1. Connect all venting and ductwork necessary for the type of installation (roof venting, wall venting or recirculation). See “Venting Requirements” section.
2. Install turntable support and turntable.

⚠ WARNING



Electrical Shock Hazard

Plug into a grounded 3 prong outlet.

Do not remove ground prong.

Do not use an adapter.

Do not use an extension cord.

Failure to follow these instructions can result in death, fire, or electrical shock.

3. Plug microwave oven into grounded 3 prong outlet.
4. Check the operation of microwave oven by placing 1 cup (250 mL) of water on the turntable, and programming a cook time of 1 minute at 100% power. Test vent fan and exhaust by operating the vent fan.
5. If the microwave oven does not operate:
 - Check that a household fuse has not blown, or that a circuit breaker has not tripped. Replace the fuse or reset the circuit breaker. If the problem continues, call an electrician.
 - Check that the power supply cord is plugged into a grounded 3 prong outlet.
 - See the Use and Care Guide for troubleshooting information.

Installation is now complete.

Save Installation Instructions for future use.

NOTE: After installation is complete, the upper component housing on the top of the microwave oven will be visible (Figure 1). The housing may be covered using a stainless steel panel kit (Figure 1A). See “Assistance” section for information on ordering. The housing may also be covered using cabinet customization (Figure 1B). Check with your cabinet supplier/builder.

Figure 1

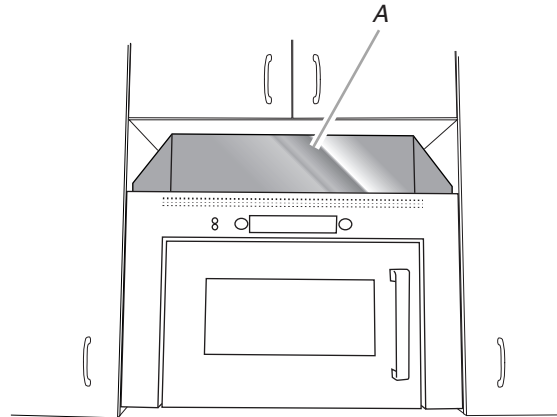


Figure 1A

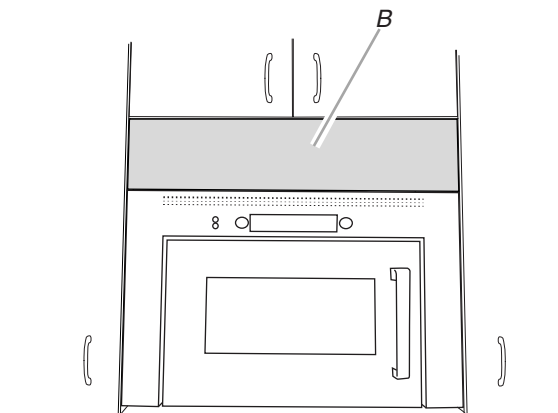
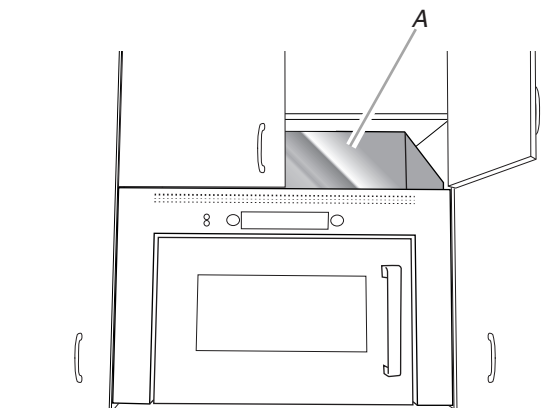


Figure 1B



*A. Upper component housing
B. Stainless steel panel*

ASSISTANCE

Call your authorized dealer or service center. When you call, you will need the microwave oven model number and serial number. Both numbers can be found on the model and serial number plate, which is located behind the microwave oven door on the front frame of the microwave oven.

If you need additional assistance, call us at our toll free number or visit our website listed in the Use and Care Guide.

Replacement Parts

If any of the installation hardware needs to be replaced, call us at our toll free number listed in the Use and Care Guide.

Following is a list of available replacement parts. You will need your model number located on the front facing of the microwave oven opening, behind the door.

- Damper Assembly
- Visor
- Rear Trim
- Mounting Screw Kit (includes parts G-M in “Parts Supplied” in the “Tools and Parts” section)
- L-brackets

Kits

The following kits are not provided but may be ordered.

- Charcoal Filter Kit (Part Number W10610033) Includes:
 - 1 charcoal filter
 - 2 wire rods
- Stainless Steel Panel Kit (Part Number W10615478) Includes:
 - 1 stainless steel panel
 - 3 mounting screws

