



DRYERS

SAFETY INFORMATION3

USING THE DRYER

Getting Started 4

Loading8

Features.....8

CARE AND CLEANING.....9

INSTALLATION INSTRUCTIONS12

Stacking (Optional)20

Reversing The Door Swing (Optional).... 22

TROUBLESHOOTING TIPS..... 24

LIMITED WARRANTY27

CONSUMER SUPPORT28

OWNER'S MANUAL & INSTALLATION INSTRUCTIONS

GFT14

ENGLISH/FRANÇAIS/ESPAÑOL

Write the model and serial numbers here:

Model # _____

Serial # _____

They are on the label on the front of the dryer behind the door.

THANK YOU FOR MAKING GE APPLIANCES A PART OF YOUR HOME.

Whether you grew up with GE Appliances, or this is your first, we're happy to have you in the family.

We take pride in the craftsmanship, innovation and design that goes into every GE Appliances product, and we think you will too. Among other things, registration of your appliance ensures that we can deliver important product information and warranty details when you need them.

Register your GE appliance now online. Helpful websites and phone numbers are available in the Consumer Support section of this Owner's Manual. You may also mail in the pre-printed registration card included in the packing material.



GE APPLIANCES

IMPORTANT SAFETY INFORMATION

READ ALL INSTRUCTIONS BEFORE USING THE APPLIANCE

⚠ WARNING

To reduce the risk of fire, explosion, electric shock, or injury to persons when using your appliance, follow basic precautions, including the following:

- Read all instructions before using the appliance.
- **DO NOT** dry articles that have been previously cleaned in, washed in, soaked in, or spotted with gasoline, dry-cleaning solvents, or other flammable or explosive substances, as they give off vapors that could ignite or explode.
- **DO NOT** place items exposed to cooking oils in your dryer. Items contaminated with cooking oils may contribute to a chemical reaction that could cause a load to catch fire. To reduce the risk of fire due to contaminated loads, the final part of the tumble dryer cycle occurs without heat (cool down period). Avoid stopping a tumble dryer before the end of the drying cycle unless all items are quickly removed and spread out so that the heat is dissipated.
- **DO NOT** allow children to play on or in this appliance. Close supervision of children is necessary when this appliance is used near children.
- Before the appliance is removed from service or discarded, remove the door to the drying compartment.
- **DO NOT** reach into the appliance if the drum is moving.
- **DO NOT** install or store this appliance where it will be exposed to the weather.
- **DO NOT** tamper with controls.
- **DO NOT** climb or stand on this unit.
- **DO NOT** repair or replace any part of this appliance or attempt any servicing unless specifically recommended in the user-maintenance instructions or in published user-repair instructions that you understand and have the skills to carry out.
- Follow all fabric care instructions and warnings to prevent melting of garments or damage to the appliance.
- **DO NOT** use fabric softeners or products to eliminate static unless recommended by the manufacturer of the fabric softener or product.
- **DO NOT** dry articles containing foam rubber or similarly textured rubber-like materials.
- Clean lint screen and clean and empty the condenser before or after each load.
- **DO NOT** operate the dryer without the lint filter and condenser in place.
- **DO NOT** store combustible materials, gasoline or other flammable liquids near the dryer. Keep area around the air intake vent on the front of the dryer and adjacent surrounding areas free from the accumulation of lint, dust and dirt.
- The interior of the appliance should be cleaned periodically by qualified service personnel.
- Unplug the appliance or turn off the circuit breaker before servicing. Pressing the **Power** or **Start/Pause** button **DOES NOT** disconnect power.
- **DO NOT** operate this appliance if it is damaged, malfunctioning, partially disassembled, or has missing or broken parts, including a damaged cord or plug.
- **DO NOT** spray any type of aerosol into, on or near dryer at any time. **DO NOT** use any type of spray cleaner when cleaning dryer interior. Hazardous fumes or electrical shock could occur.
- See "ELECTRICAL CONNECTION" located in the Installation Instructions for grounding instructions.

READ AND SAVE THESE INSTRUCTIONS

Getting started

WARNING To reduce the risk of fire, electric shock, or injury to persons, read the IMPORTANT SAFETY INFORMATION before operating this appliance.

Throughout this manual, features and appearance may vary from your model.

Step 1



- Loosely add items.
- Close door.

NOTE: Dryer will not start with door open.

Step 2

Power



- If the screen is dark, press the Power button to “wake up” the display.

Step 3



- Select a dry cycle. (Defaults are set for each dry cycle. These default settings can be changed. See control settings for more information.)

OR



- Press Timed Dry button, rotate knob to adjust time, and press Temp button to set your own temperature.

Step 4

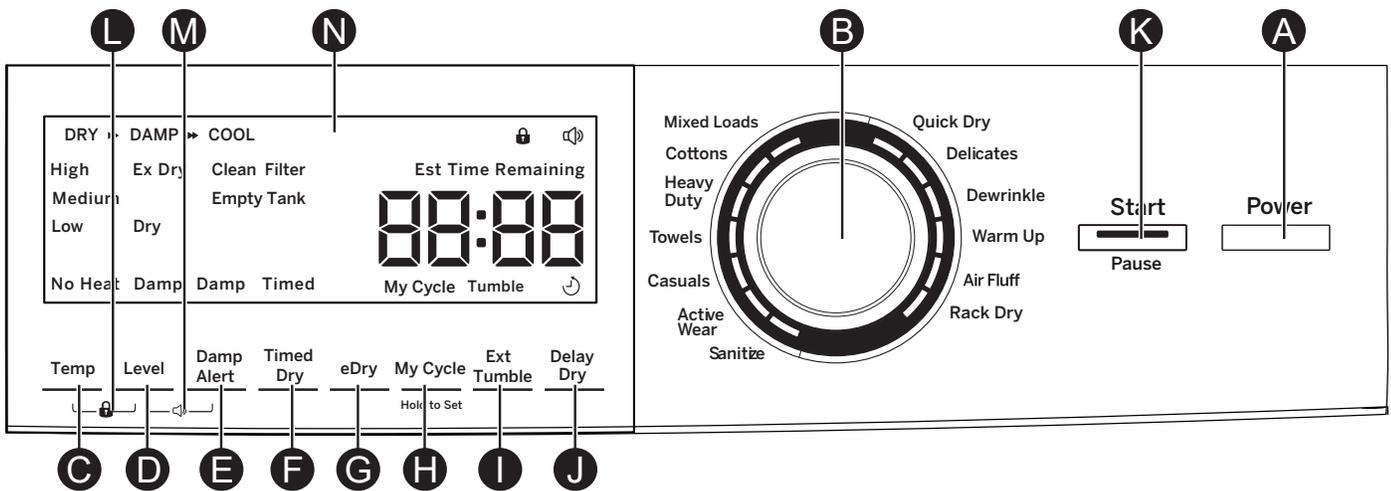
Start



Pause

- Press the Start/Power button.

Controls



Getting started

A Power

Press to “wake up” the display. If the display is active, press to turn the dryer off.

NOTE: Pressing **Power** does not disconnect the appliance from the power supply.

B Dry Cycles

The dry cycle controls the cycle time for the drying process. The chart below will help you match the dry setting with the loads.

Mixed Loads or Normal (Depending on model)	For loads consisting of cottons and poly blends.
Cottons	For cottons and most linens. NOTE: Energy Star® models are tested on Cottons with default settings.
Heavy Duty	For large coats, bed spreads, mattress covers, sleeping bags, blankets, comforters, jackets, small rugs, and similar large and bulky items.
Towels	Use for towels OR sheets. It is not recommended to mix towels and sheets in the same load.
Casuals	For wrinkle-free, permanent press and delicate items, and knits.
Active Wear	Clothing worn for active sports exercise and some casual wear. Fabrics include new technology finishes and stretch fibers such as Spandex. Also for clothing labeled Easy Care or Perma Press: For wrinkle-free and permanent press items.
Sanitize	Reduces certain types of bacteria by 99.6%, including: Staphylococcus aureus and Pseudomonas aeruginosa. The antibacterial process occurs when high heat is used during a portion of this drying cycle.
Quick Dry	For small loads that are needed in a hurry, such as sports or school uniforms. Can also be used if the previous cycle left some items damp, such as collars or waistbands.
Delicates	For lingerie and special-care fabrics.
Dewrinkle	For removing wrinkles from items that are dry or slightly damp. This cycle is not recommended for delicate fabrics.
Warm Up	Provides 25 minutes of warming time to warm up clothes.
Air Fluff	Provides 30 minutes of tumbling time without heat.
Rack Dry	For drying delicate items without tumbling, use drying rack accessory. Place items flat on the drying rack such as wool sweaters and delicate fabrics. Dry with low heat.

C Temp

Temp (Temperature)

You can change the temperature of your dry cycle.

High	For regular to heavy cottons.
Medium	For synthetics, blends and items labeled Permanent Press.
Low	For delicates, synthetics and items labeled Tumble Dry Low.
No Heat	This option may only be used with Air Fluff and Timed Dry , in which items are tumbled without heat.

Getting started

D Level **Level**

The sensor continuously monitors the amount of moisture in the load. When the moisture in your clothes reaches your selected dry level, the dryer will stop.

NOTE: Sensor dry **Level** can be used with all cycles except **Timed Dry**, **Air Fluff**, **Rack Dry**, **Warm Up** and **Dewrinkle**.

Ex Dry	Use for heavy-duty fabrics or items that should be very dry, such as towels.
Dry	Use for normal dryness level suitable for most loads. This is the preferred cycle for energy saving.
Damp	For leaving items partially damp.

E Damp Alert **Damp Alert**

This option causes the dryer to beep when clothes have dried to a damp level. Remove items that you wish to hang dry. The **Damp Alert** will only beep when this option is selected, and the dryer will continue to dry.

Removing clothes and hanging them when they are damp can reduce the need to iron some items.

F Timed Dry **Timed Dry**

1. Press **Timed Dry** button. Lights around the knob will flash. Select the drying time by rotating the knob to increase or decrease the time in 10-minute increments up to 2 hours and 30 minutes.
2. Select the dry **Temp**.
3. Close the door.
4. Press **Start/Pause**.

G eDry **eDry (on some models)**

Reduces total energy consumption of specific dryer cycles by adjusting certain heat settings.

NOTE: Cycle times will change when eDry is selected.

Energy Star® models are tested on **Cottons** cycle with default settings to determine energy use rating of this dryer. The **eDry** option will default to on for **Cottons**. Temperature settings on High and dryness level setting on Dry are specifically designed for this cycle to reduce energy consumption. For optimal energy savings, turn **eDry** on. For optimal drying times, turn **eDry** off. Energy savings will vary across loads and cycles.

The **eDry** selection can be used with **Mixed Loads**, **Cottons**, **Heavy Duty**, **Towels**, **Casuals**, **Active Wear** and **Delicates**.

H My Cycle **My Cycle**

Set up your favorite combination of settings and save them here for one touch recall. These custom settings can be set while a cycle is in progress.

To store a My Cycle combination of settings:

1. Select your drying cycle.
2. Change **Temp** and **Level** settings to fit your needs.
3. Select any drying options you want.
4. Press and hold the **My Cycle** button for 3 seconds to store your selection. A beep will sound and the button will light up.

To recall your stored My Cycle combination:
Press the **MY CYCLE** button before drying a load.

To change your stored My Cycle combination:
Repeat steps 1–4.

I Ext Tumble **Extended Tumble**

Minimizes wrinkles by adding approximately 2 hours of no-heat tumbling after clothes are dry.

The estimated time remaining display will show “END”.

The extended tumble time does not get added to the cycle time on the display.

Getting started

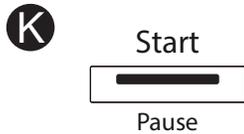


Delay Dry

Use to delay the start of your dryer.

1. Choose your dry cycle and any options.
2. Press **Delay Dry**. You can change the delay time in 1 hour increments, using the **Delay Dry** button.
3. Press the **Start/Pause** button to start the countdown.

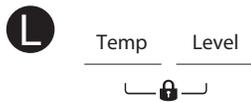
NOTE: If the door is opened while the dryer is in **Delay Dry**, the countdown time will not restart unless the door is closed and **Start/Pause** button has been pressed again.



Start/Pause

Press to start a cycle. If the dryer is running, pressing it once will pause the dryer and unlock the door. This function can be used to add garments during a cycle. Press again to restart the cycle.

NOTE: If the dryer is paused and the cycle is not restarted within 15 minutes, the current cycle will be cancelled.



Lock

You can lock the controls to prevent any selections from being made. Or you can lock or unlock the controls after you have started a cycle.

Children cannot accidentally start the dryer by touching pads with this option selected.

To lock the dryer, press and hold the **Temp** and **Level** buttons together for 3 seconds.

To unlock the dryer controls, press and hold the **Temp** and **Level** buttons together for 3 seconds. A sound is made to indicate the lock/unlock status.

The control lock icon on the display will light up when it is on.

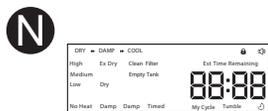
NOTE: The **Power** button can still be used when the machine is locked.



Signal

When the light is on, the dryer will beep at the end of the cycle and every time you press a button on the control panel.

To turn the signal off, press and hold the **Damp Alert** and **Timed Dry** buttons together for 3 seconds. A sound is made to indicate the lock/unlock status.



Display and Status Lights

The display shows the approximate time remaining until the end of the cycle.

In addition, this display will show the dryer status:

Status	DRY ► DAMP ► COOL
	Controls locked on.
	End of cycle signal on.
Clean Filter	Time to clean the filter. See the Care and Cleaning section.
Empty Tank	Time to empty the water tank. See the Care and Cleaning section.
Temp	Shows High , Medium , Low or No Heat temperature setting selected.
Level	Shows Extra Dry , Dry or Damp dryness setting selected.
Damp Alert	Indicates Damp Alert is set and will sound when the clothes have dried to a damp dryness level.
Timed	Indicates that a Timed Dry cycle is set. Will turn off after cycle is finished.
Est Time Remaining	Display shows the estimated time remaining until set cycle is completed.
My Cycle	Indicates the My Cycle feature is set.
Ext Tumble	Indicates the Extended Tumble feature is set.
	Indicates Delay Dry is set time is selected.

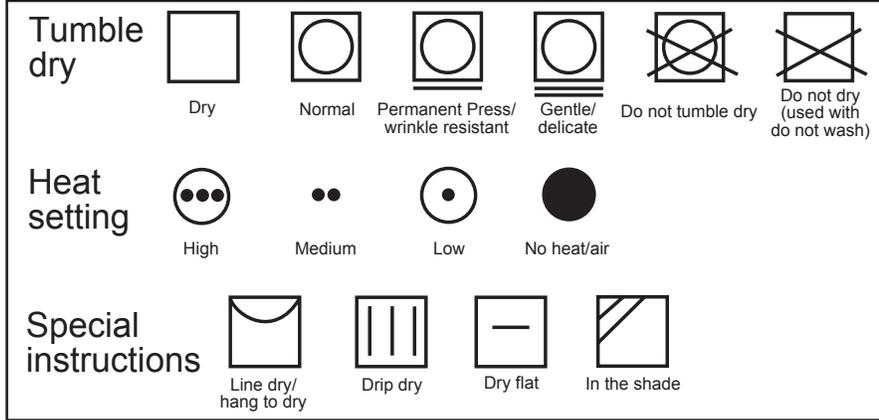
Loading

Always follow fabric manufacturer's care label when laundering.

Fabric Care Labels

Below are fabric care label "symbols" that affect the clothing you will be laundering.

Dry Labels



Sorting and Loading Hints

WARNING - Fire Hazard

- Keep flammable materials and vapors, such as gasoline, away from dryer.
- **DO NOT** dry anything that has ever had anything flammable on it (even after washing).
- No washer can completely remove oil.
- **DO NOT** dry anything that has ever had any type of oil on it (including cooking oils).
- Items containing foam, rubber, or plastic must be dried on a clothesline.
- Failure to do so can result in death, explosion, or fire.

As a general rule, if clothes are sorted properly for the washer, they are sorted properly for the dryer. Try also to sort items according to size. For example, do not dry a sheet with socks or other small items.

Do not add fabric softener sheets once the load has become warm. They may cause fabric softener stains. Bounce® Fabric Conditioner Dryer Sheets have been approved for use in this dryer when used in accordance with the manufacturer's instructions.

Do not overload. This wastes energy and causes wrinkling.

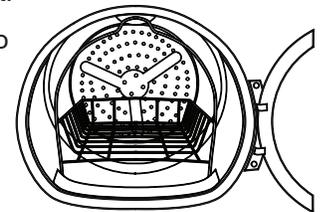
Drying Rack

A handy drying rack may be used for drying delicate items such as washable sweaters. Place items flat on the drying rack and block such items as wool sweaters and delicate fabrics. Dry with low heat.

To install the drying rack, extend the drying rack into the dryer drum and rest the front two legs on the front angled ledge.

NOTES:

- The drying rack is designed for use with the **Timed Dry** cycle. Use with sensor cycles may result in damp items or extended cycle times.
- Do not use this drying rack when there are other clothes in the dryer, that are not placed on the rack.
- The drying rack, **WE01X26416**, is available as an accessory. Order on-line at **GEApplianceparts.com**, 24 hours a day or by phone at **877.959.8688** during normal business hours.



Care and cleaning

Interior

The interior of the appliance should be cleaned once a year by qualified service personnel.

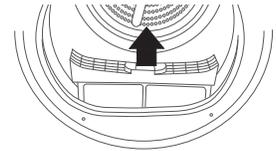
Exterior

Wipe or dust any spills or washing compounds with a damp cloth. Dryer control panel and finishes may be damaged by some laundry pretreatment soil and stain remover products. Apply these products away from the dryer. The fabric may then be washed and dried normally. Damage to your dryer caused by these products is not covered by your warranty.

Lint Filter

Clean the lint filter before each use.

Pull out the lint filter. Moisten your fingers and remove the captured lint. Once clean, slide the filter back into position. Have a qualified technician vacuum the lint from the dryer once a year.



NEVER OPERATE THE DRYER WITHOUT ITS FILTER IN PLACE.

Stainless Steel

To clean stainless steel surfaces use a damp cloth with a mild, non-abrasive cleaner suitable for stainless steel surfaces. Remove the cleaner residue and then dry with a clean cloth.

The stainless steel used to make the dryer drum provides the highest reliability available in a GE Appliances dryer. If the dryer drum should be scratched or dented during normal use, the drum will not rust or corrode. These surface blemishes will not affect the function or durability of the drum.

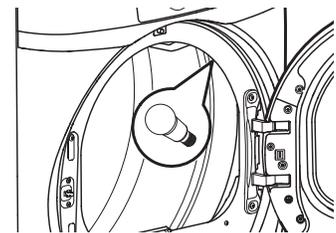
Drum Lamp

NOTE: The drum lamp is not consumer replaceable on models where there is a flat cover over an LED bulb. If this light should ever stop working, call for service.

For models that have a domed cover over the bulb secured by a screw:

Before replacing the light bulb, be sure to unplug the dryer power cord or disconnect the dryer at the household distribution panel by removing the fuse or switching off the circuit breaker. Reach above dryer opening from inside the drum to locate the light.

Remove the screw and the plastic cover to access the bulb. Replace with the appropriate bulb and then reattach the cover and screw.



Order replacement bulb **WE11X26351** on-line at **GEApplianceparts.com**, by phone at **877.959.8688** during normal business hours, or purchase appliance bulb **7C7** from your local retailer.

When the door is opened, the drum lamp automatically turns on and remains on for 2 minutes. When the door is closed, the drum lamp will remain on for 30 seconds.

⚠ WARNING - Electrical Shock Hazard

Disconnect power supply before servicing.
Replace all parts and panels before operating.
Failure to do so can result in death or electrical shock.

⚠ WARNING - Shock Hazard

Certain internal parts are intentionally not grounded and may present a risk of electric shock only during servicing.

Service personnel – DO NOT contact the following parts while the appliance is energized: motor start capacitor, motor metal holder, and drum wheel shaft.

Care and cleaning

Water Tank

REMOVE THE CONDENSED WATER IN THE TANK AFTER EVERY DRYING CYCLE.

NOTE: If drain hose is installed, emptying the water tank is not required. See the **CONNECTING THE DRAIN HOSE** section in the Installation Installations of this manual.

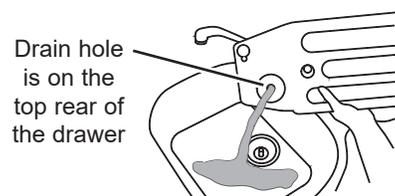
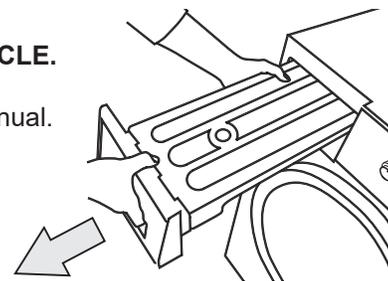
- Pull out the water tank.

When removing the water tank from the product, hold it using both hands as it is heavy and take care not to spill any water inside the tank.

- Remove the condensed water inside the water tank.

To avoid over filling, which could lead to water leaking outside the unit, drain water left in water tank after each cycle. Over filling will cause cycle to stop prematurely until emptied.

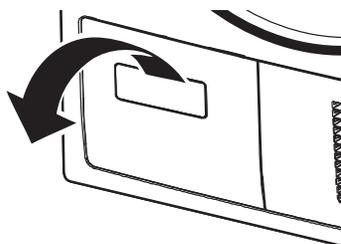
NOTE: When the **Empty Tank** indicator light is on, the dryer will not operate until the tank is emptied and the indicator has been cleared. Press the **Start** button and the indicator light will turn off and the dryer will resume the cycle.



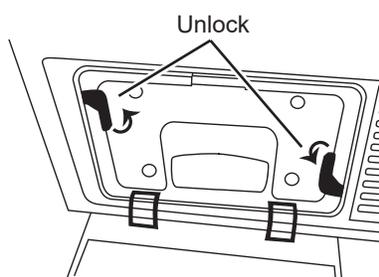
Condenser

THE CONDENSER SHOULD BE CLEANED ONCE PER MONTH.

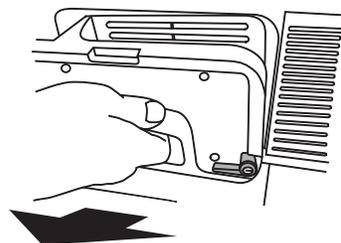
- Open the condenser compartment cover.



- Unlock both locking tabs.



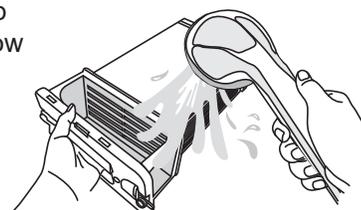
- Remove the condenser box from the condenser compartment.



- Clean the condenser box and inside the condenser compartment completely. Use tap water to clean between the grooves of the condenser box by allowing tap water to flow through it. Reach inside the condenser compartment and wipe away all debris. Make sure the rubber gaskets on the condenser box are free of debris before reinstalling.

NOTES:

- Make sure to clean your condenser once per month to prevent degradation of the dryer's performance.
- When assembling the condenser after cleaning it, make sure the locking tabs are set to the lock position. **Never run the dryer without the condenser installed.**



Installation Instructions

Dryer

If you have any questions, call **GE Appliances at 800.GE.CARES (800.432.2737)** or visit our Website at: **GEAppliances.com**
In Canada, call **800.561.3344** or visit **www.GEAppliances.ca**

BEFORE YOU BEGIN

Read these instructions completely and carefully.

- **IMPORTANT** – Save these instructions for local electrical inspector's use.
- **IMPORTANT** – Observe all governing codes and ordinances.
- Install the clothes dryer according to the manufacturer's instructions and local codes.
- **Note to Installer** – Be sure to leave these instructions with the Consumer.
- **Note to Consumer** – Keep these instructions for future reference.
- Clothes dryer installation must be performed by a qualified installer.
- Before the old dryer is removed from service or discarded, remove the dryer door.
- Service information and the wiring diagram are located in the control console.
- Do not allow children on or in the appliance. Close supervision of children is necessary when the appliance is used near children.
- Proper installation is the responsibility of the installer.
- Product failure due to improper installation is not covered under the Warranty.
- Install the dryer where the temperature is above 50°F for satisfactory operation of the dryer control system.

⚠ WARNING - Fire Hazard

- **Risk of Fire** - Clothes dryer installation must be performed by a qualified installer.
- Install the clothes dryer according to these instructions and local codes.
- **DO NOT** install or store this appliance in any location where it could be exposed to water or weather.
- To reduce the risk of severe injury or death, follow all installation instructions.
- Save these instructions. (Installers: Be sure to leave these instructions with the customer.)

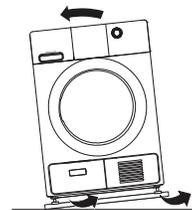
If you are planning to stack the washer and dryer, order Stacking Kit number **GFA24KITL** to be used for this dryer. Kit sold separately.

Installation Instructions

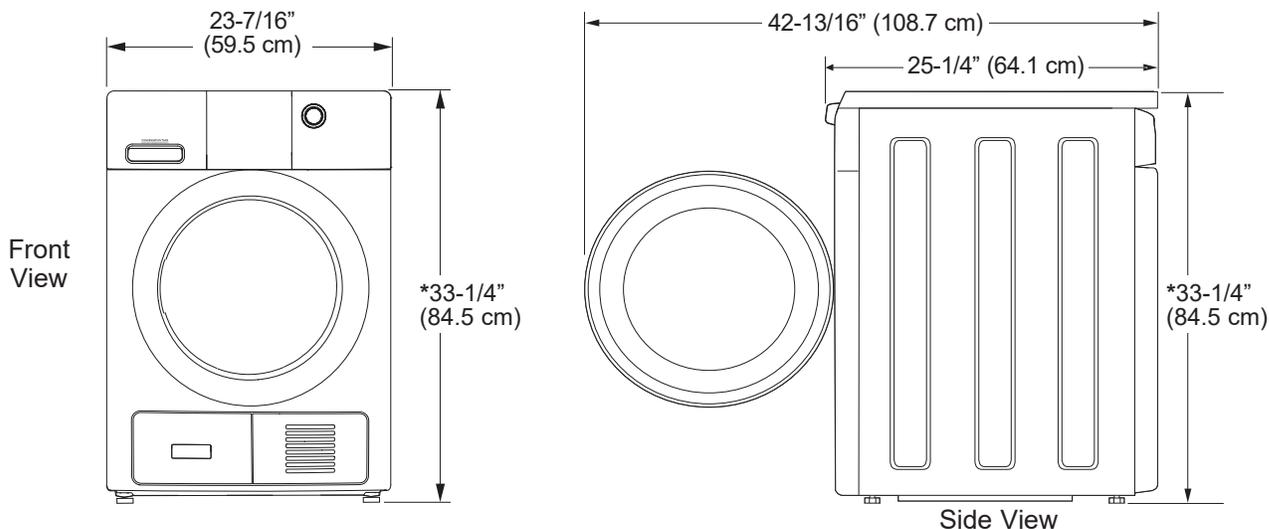
UNPACKING YOUR DRYER

Tilt the dryer sideways and remove the foam shipping pads by pulling at the side breaking them away from the dryer legs. Be sure to remove all of the foam piece around the legs.

Remove the bag containing the literature.



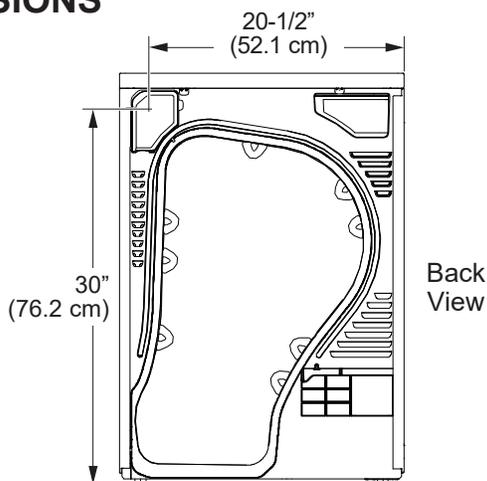
DRYER DIMENSIONS



***NOTE:**

- With leveling legs retracted: 33-1/4 (84.5 cm)
- With leveling legs fully extended: 33-5/8 (85.4 cm)
- Stacked: 66-1/2" (168.9 cm)

ELECTRICAL CONNECTION DIMENSIONS



POWER CORDS

GE Appliances strongly recommends the use of factory specified parts. Select the power cord to fit your installation requirements.

Part Number	Type	Length	Amperage
WX9X2	3-Prong	4 Feet	30
WX9X3	3-Prong	5 Feet	30
WX9X4	3-Prong	6 Feet	30
WX9X18	4-Prong	4 Feet	30
WX9X19	4-Prong	5 Feet	30
WX9X20	4-Prong	6 Feet	30

Order on-line at GEApplianceparts.com today, 24 hours a day or by phone at 877.959.8688 during normal business hours. In Canada, visit your local GE Appliances parts distributor or call 800.661.1616 or GEAppliances.ca/en/products/parts-filters-accessories.

Installation Instructions

REQUIREMENTS FOR ALCOVE OR CLOSET INSTALLATION

⚠ WARNING - Explosion Hazard

Keep flammable materials and vapors, such as gasoline, away from dryer.

Place dryer at least 18" (46 cm) above the floor for a garage installation.

Failure to do so can result in death, explosion, or fire.

- Minimum clearance between dryer cabinet and adjacent walls or other surfaces is:
 - 0" either side
 - 1" front and rear
 - 1" top
- Consideration must be given to provide adequate clearance for installation and service.
- Closet doors must be louvered or otherwise ventilated and have at least 60 square inches of open area. If the closet contains both a washer and a dryer, doors must contain a minimum of 120 square inches of open area.

MINIMUM CLEARANCE OTHER THAN ALCOVE OR CLOSET INSTALLATION

Minimum clearance to combustible surfaces and for air opening are: 0" both sides, 1" rear and 1" top. Consideration must be given to provide adequate clearance for installation and service.

MOBILE OR MANUFACTURED HOME INSTALLATION

- Installation MUST conform to the MANUFACTURED HOME CONSTRUCTION AND SAFETY STANDARD, TITLE 24, PART 3280 or STANDARD FOR MOBILE HOMES CAN/CSA-Z240 MH, or, when such standards are not applicable, with AMERICAN NATIONAL STANDARD FOR MOBILE HOME, ANSI/NFPA NO. 501B.
- Provide an opening with a free area of at least 25 square inches for introduction of outside air into the dryer room.
- See the sections for electrical connection information.

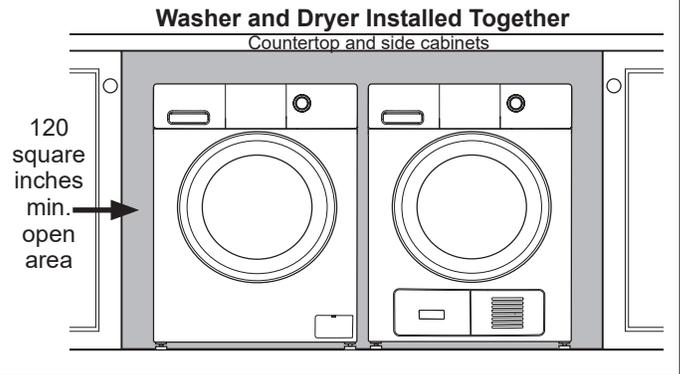
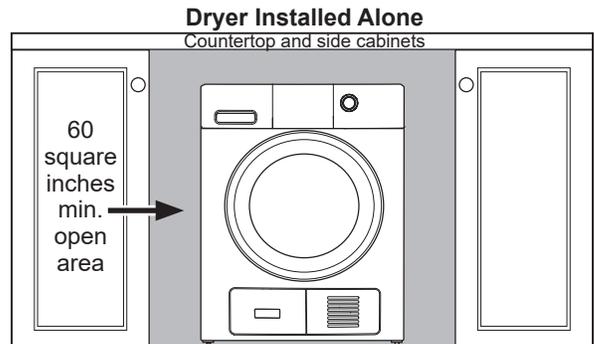
BATHROOM OR BEDROOM INSTALLATION

The installation must conform with local codes or, in the absence of local codes, with the NATIONAL ELECTRICAL CODE, ANSI/NFPA NO. 70 (for electric dryers).

UNDERCOUNTER INSTALLATION

If an undercounter installation is desired:

- No special dryer installation kit is required.
- If the dryer is installed alone, a minimum of 60 square inches of open area is required. If a washer and dryer are installed together, a minimum of 120 square inches of open area is required.



Installation Instructions

CONNECTING AN ELECTRIC DRYER

TOOLS YOU WILL NEED

- Slip-joint pliers



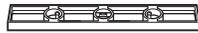
- Flat-blade screwdriver



- Phillips screwdriver



- Level



MATERIALS YOU WILL NEED

- Safety glasses



- Gloves



- 3/4" Strain relief (UL recognized)



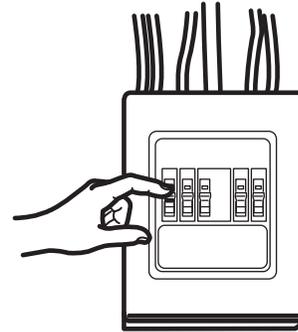
- Dryer power cord kit (not provided with dryer)

UL rated 120/240V, 30A with 3 or 4 prongs. Identify the plug type as per the house receptacle before purchasing line cord.



Stacking installations may require a power cord up to 6 feet in length.

Before making the electrical connection, turn off the circuit breaker(s) or remove the dryer's circuit fuse(s) at the electrical box. Be sure the dryer cord is unplugged from the wall. **NEVER LEAVE THE ACCESS COVER OFF THE TERMINAL BLOCK.**



⚠ WARNING - Electrical Shock Hazard

Disconnect power supply before servicing.
Replace all parts and panels before operating.
Failure to do so can result in death or electrical shock.

⚠ WARNING - Shock Hazard

Certain internal parts are intentionally not grounded and may present a risk of electric shock only during servicing.

Service personnel – DO NOT contact the following parts while the appliance is energized: motor start capacitor, motor metal holder, and drum wheel shaft.

Installation Instructions

ELECTRICAL CONNECTION INFORMATION FOR ELECTRIC DRYERS

For electrical connections using a power cord:

WARNING - Fire Hazard

Use a new UL-listed 240V 30 amp dryer power supply cord with closed ring terminals or spade terminals with upturned ends.

Use a UL-listed strain relief.

Disconnect power before making electrical connections.

Connect neutral wire (white or center wire) to center terminal.

Ground wire (green or bare wire) must be connected to green ground connector.

Connect remaining two supply wires to remaining two terminals.

Securely tighten all electrical connections.

Replace the terminal block cover.

Failure to do so can result in death, fire or electrical shock.

GROUNDING INSTRUCTIONS

For a grounded, cord-connected dryer: This dryer must be grounded. In the event of a malfunction or breakdown, grounding will reduce the risk of electric shock by providing a path of least resistance for electric current. This dryer uses a cord having an equipment-grounding conductor and a grounding plug. The plug must be plugged into an appropriate outlet that is properly installed and grounded in accordance with all local codes and ordinances.

 WARNING Improper connection of the equipment-grounding conductor can result in a risk of electric shock. Check with a qualified electrician, or service representative or personnel, if you are in doubt as to whether the appliance is properly grounded. **DO NOT** modify the plug on the power supply cord. If it will not fit the outlet, have a proper outlet installed by a qualified electrician.

SAVE THESE INSTRUCTIONS

WARNING - Electrical Shock Hazard

TO PREVENT ELECTRIC SHOCK, DISCONNECT POWER BEFORE SERVICING.

This dryer should be connected to an individual branch circuit with 10 gauge copper wire minimum through a 30 amp fuse or circuit breaker. **DO NOT** fuse neutral.

Use copper conductors only.

ELECTRICAL CONNECTION INFORMATION FOR ELECTRIC DRYERS

For direct wire connections:

WARNING - Fire Hazard

Use 10 gauge copper wire.

Use a UL-listed strain relief.

Disconnect power before making electrical connections.

Connect neutral wire (white or center wire) to center terminal.

Ground wire (green or bare wire) must be connected to green ground connector.

Connect remaining two supply wires to remaining two terminals.

Securely tighten all electrical connections.

Replace the terminal block cover.

Failure to do so can result in death, fire or electrical shock.

GROUNDING INSTRUCTIONS

For a permanently connected dryer: This dryer must be connected to a grounded metal, permanent wiring system, or an equipment-grounding conductor must be run with the circuit conductors and connected to the equipment-grounding terminal on the appliance.

 WARNING Improper connection of the equipment-grounding conductor can result in a risk of electric shock. Check with a qualified electrician, or service representative or personnel, if you are in doubt as to whether the appliance is properly grounded.

SAVE THESE INSTRUCTIONS

WARNING - Electrical Shock Hazard

TO PREVENT ELECTRIC SHOCK, DISCONNECT POWER BEFORE SERVICING.

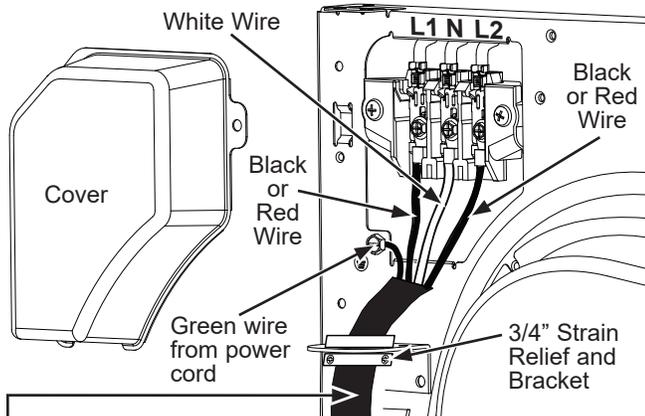
This dryer should be connected to an individual branch circuit with 10 gauge copper wire minimum through a 30 amp fuse or circuit breaker. **DO NOT** fuse neutral.

Use copper conductors only.

Installation Instructions

CONNECTING DRYER USING 4-WIRE CONNECTION (MUST BE USED FOR MOBILE HOME INSTALLATION)

NOTE: Since January 1, 1996, the National Electrical Code requires that new constructions use a 4-wire connection to an electric dryer. A 4-wire cord must also be used where local codes do not permit grounding through the neutral. 3-wire connection is NOT for use on new construction.



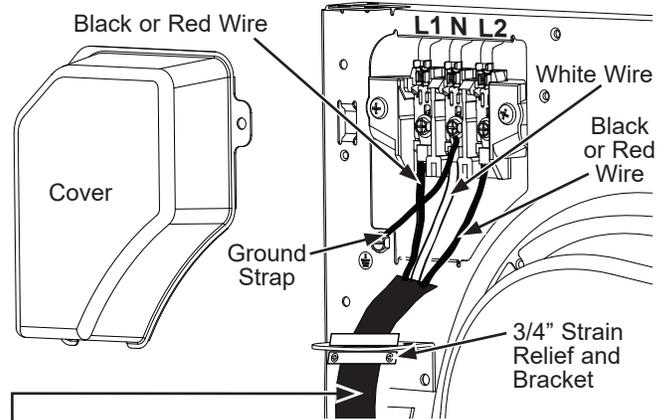
4 #10 AWG minimum copper conductors or 120/240V 30A power supply cord kit marked for use with dryers and provided with closed loop or spade terminals with upturned ends (not supplied).

1. Turn off the circuit breaker(s) (30 amp) or remove the dryer's circuit fuse at the electrical box.
2. Be sure the dryer cord is unplugged from the wall receptacle.
3. Remove the power cord cover located at the upper back.
4. Remove green ground screw and retain for use in Step 7. Remove center screw (marked N) in terminal block. Remove and discard ground strap.
5. Install 3/4 in. UL-recognized strain relief to power cord entry hole. Bring power cord through strain relief and bracket.
6. Connect power cord as follows:
 - A. Connect the 2 hot lines to the outer screws of the terminal block (marked L1 and L2).
 - B. Connect the neutral (white) line to the center of the terminal block (marked N).
7. Attach ground wire of power cord with the green ground screw (hole above strain relief bracket). Tighten all terminal block screws (3) securely.
8. Properly secure power cord to strain relief and bracket.
9. Reinstall the cover.

NEVER LEAVE THE COVER OFF OF THE TERMINAL BLOCK.

CONNECTING DRYER USING 3-WIRE CONNECTION

If required, by local code, install external ground (not provided) to grounded metal, cold water pipe, or other established ground determined by a qualified electrician.



3 #10 AWG minimum copper conductors or 120/240V 30A power supply cord kit marked for use with dryers and provided with closed loop or spade terminals with upturned ends (not supplied).

3-wire Connection

Not for use in Canada.

DO NOT use for Mobile Home Installations.

NOT for use on new construction.

NOT for use on recreational vehicles.

NOT for use in areas where local codes prohibit grounding through the neutral conduction.

1. Turn off the circuit breaker(s) (30 amp) or remove the dryer's circuit fuse at the electrical box.
2. Be sure the dryer cord is unplugged from the wall receptacle.
3. Remove the power cord cover located at the upper back.
4. Install 3/4-in. UL-recognized strain relief to power cord entry hole. Bring power cord through strain relief and bracket.
5. Connect power cord as follows:
 - A. Connect the 2 hot lines to the outer screws of the terminal block (marked L1 and L2).
 - B. Connect the neutral (white) line to the center of the terminal block (marked N).
6. Be sure ground strap is connected to green ground screw on cabinet rear. Tighten all terminal block screws (3) securely.
7. Properly secure power cord to strain relief and bracket.
8. Reinstall the cover.

NEVER LEAVE THE COVER OFF OF THE TERMINAL BLOCK.

Installation Instructions

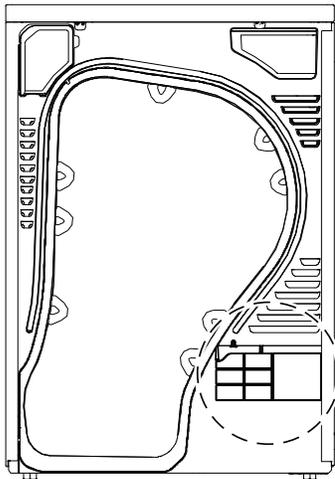
CONNECTING THE DRAIN HOSE

DRAINING WATER WITHOUT USING THE WATER TANK

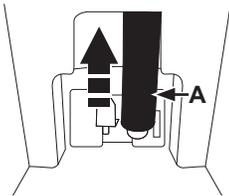
You can use the dryer without using the water tank by following the procedures below.

CONNECTING THE DRAIN HOSE

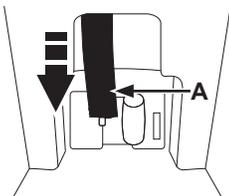
The dryer can pump the condensed water outside of the DRYER directly with drain hose provide. The procedures to connect the drain hose are as follows.



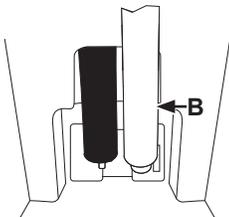
1. Disconnect the drain hose **A**.



2. Connect the drain hose **A** to the other hole.



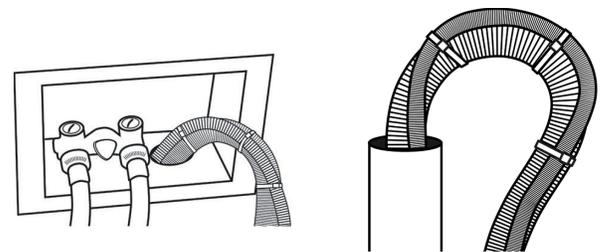
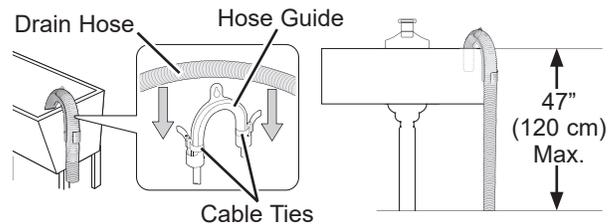
3. Connect accessory hose **B** (long drain hose) adjacent to hose **A**.



- When connecting hose **B**, take care that the height of the hose does not exceed 47" (120 cm).
- After connecting the drain hose, you can now directly drain the condensed water to a standpipe or washstand.

CONNECTING THE DRAIN HOSE (CONT.)

4. Over the edge of a wash basin: The drain hose must be placed lower than 47" (120 cm) and higher than 30" (76 cm). To keep the drain hose spout bent, use the supplied plastic hose guide. Secure the guide to the wall with a hook or to the tap with a piece of string to prevent the drain hose from moving.
5. Assemble the drain hose and the hose guide and fix them with the cable-tie.



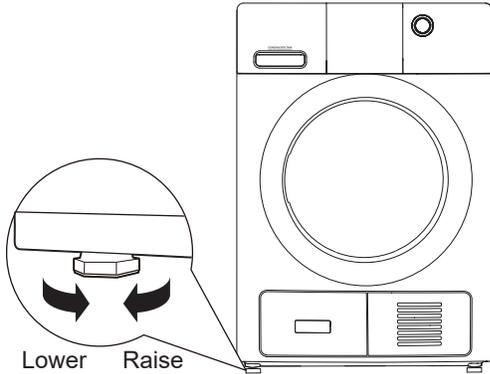
Do not push the drain hose in the standpipe any further than 4" (10 cm). Pushing the drain hose further in the standpipe can cause leaking.

Installation Instructions

FINAL SETUP

1 LEVEL THE DRYER

Stand the dryer upright near the final location and adjust the four leveling legs at the corners to ensure that the dryer is level from side to side and front to rear.



3 DRYER STARTUP

Press the **Power** button.

Power

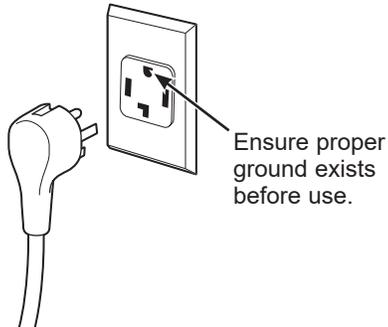


NOTE: If the dryer has been exposed to temperatures below freezing for an extended period of time, allow it to warm up before pressing **Power**. Otherwise, the display will not come on.

The dryer is now ready for use.

2 PLUG DRYER IN

NOTE: Stacking installations may require a power cord up to 6 feet in length.



Installation Instructions

STACKING THE WASHER AND DRYER (if desired)

If you are planning to stack the washer and dryer, order Stacking Kit number **GFA24KITL** to be used for this dryer. Kit sold separately.

BEFORE YOU BEGIN

Read these instructions completely and carefully.

- **IMPORTANT** – Save these instructions for local electrical inspector's use.
- **IMPORTANT** – Observe all governing codes and ordinances.
- **Note to Installer** – Be sure to leave these instructions with the Consumer.
- **Note to Consumer** – Keep these instructions for future reference.
- Service **must** be performed by a qualified installer.
- Do not allow children on or in the appliance. Close supervision of children is necessary when the appliance is used near children.
- Proper installation is the responsibility of the installer.

GE APPLIANCES STACK KIT

Order on-line at GEApplianceParts.com, 24 hours a day or by phone at **877.959.8688** during normal business hours.

Part Number	Accessory
GFA24KITL	Complete Stack Kit

REQUIREMENTS FOR ALCOVE OR CLOSET INSTALLATION

⚠ WARNING - Explosion Hazard

Keep flammable materials and vapors, such as gasoline, away from dryer.

Place dryer at least 18" (46 cm) above the floor for a garage installation.

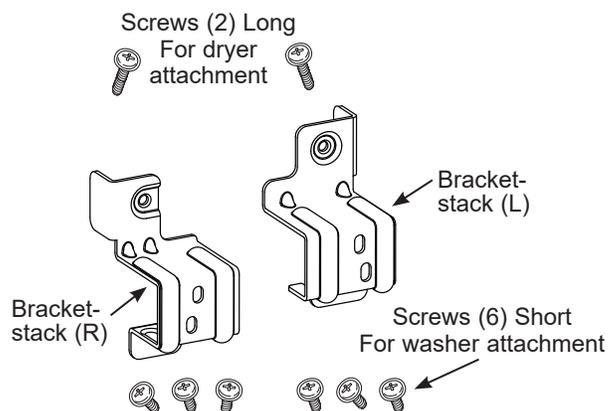
Failure to do so can result in death, explosion, or fire.

- Minimum clearance between dryer cabinet and adjacent walls or other surfaces is:
 - 0" either side
 - 1" front and rear
 - 1" top
- Consideration must be given to provide adequate clearance for installation and service.
- Closet doors must be louvered or otherwise ventilated and have at least 60 square inches of open area. If the closet contains both a washer and a dryer, doors must contain a minimum of 120 square inches of open area.

MINIMUM CLEARANCE OTHER THAN ALCOVE OR CLOSET INSTALLATION

Minimum clearance to combustible surfaces and for air opening are: 0" both sides, 1" rear and 1" top. Consideration must be given to provide adequate clearance for installation and service.

KIT CONTENTS (GE APPLIANCES KIT # GFA24KITL)



TOOLS YOU WILL NEED

- Phillips screwdriver 
- Level 
- Gloves 

INSTALLATION PREPARATION

Remove the packaging.

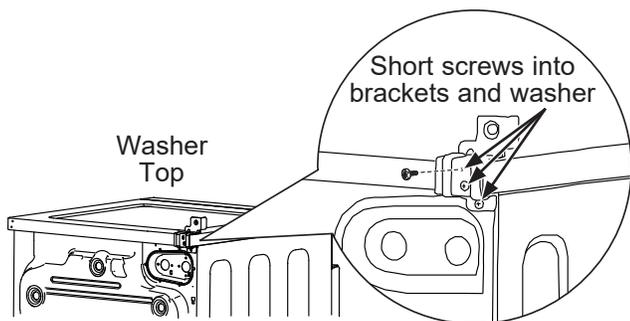
Flatten the product carton to use as a pad to lay the dryer down on its side. Continue using the carton to protect the finished floor in front of the installation location.

Installation Instructions

INSTALLING THE STACK BRACKET KIT

1 INSTALL BRACKET TO WASHER

- A. Remove washer top cap screw from the rear left. Align left bracket holes with top cap screw hole on rear left of the unit and replace screw.
NOTE: Leave screws loose so dryer hole alignment will be easier.
- B. Drive next screw through the bracket into the rear of the washer.
- C. Repeat the above steps with the right side.



2 INSTALL DRYER AND BRACKET ON DRYER

⚠ WARNING Disconnect power before installing. Failure to do so could result in serious injury or death.

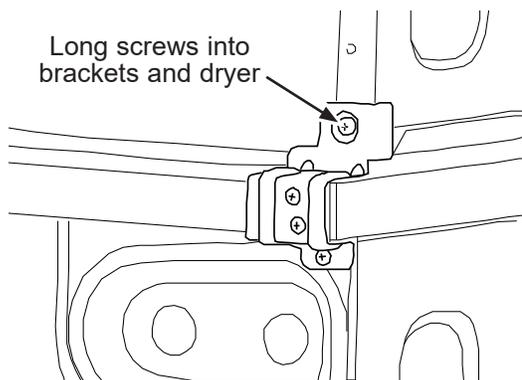
⚠ WARNING  - Excessive Weight Hazard

Failure to do so may result in back or other injury, or property damage.

- Use two or more people to install dryer.
 - Avoid tipping and rupture of utility services.
 - Dryer must be securely attached to the washer.
 - **DO NOT** place the washer on top of the dryer.
- A. Lift the dryer on top of the washer. Protect the washer control panel with cardboard or other protection. Be sure to lift the dryer high enough to clear the washer control panel.
 - B. Align the holes in the bracket with the holes in the back of the dryer. Using a Phillips screwdriver, attach the 2 #8 x 1/2" tapping screws.

2 INSTALL DRYER AND BRACKET ON DRYER (CONT.)

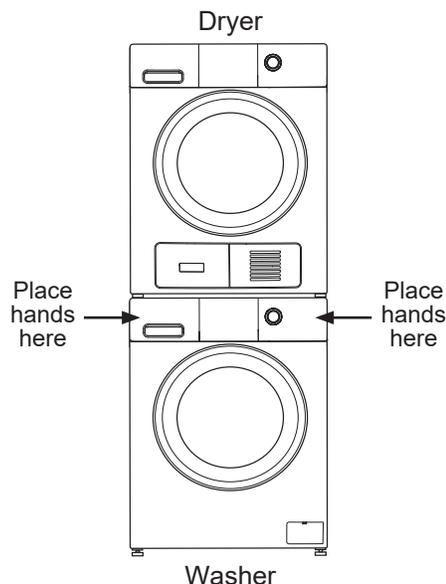
- C. Tighten the dryer bracket screws; then tighten all stacking kit screws.



3 FINALIZE THE INSTALLATION

⚠ CAUTION Do not push on the dryer once installed to top of the washer. Pushing on the dryer may result in pinched fingers.

- A. Refer to the washer Installation Instructions to complete the washer installation.
- B. Refer to the dryer Installation Instructions to complete the dryer installation.
- C. Carefully slide or walk the stacked washer and dryer into place. Use felt pads or other sliding device to assist moving and to protect flooring.



Installation Instructions

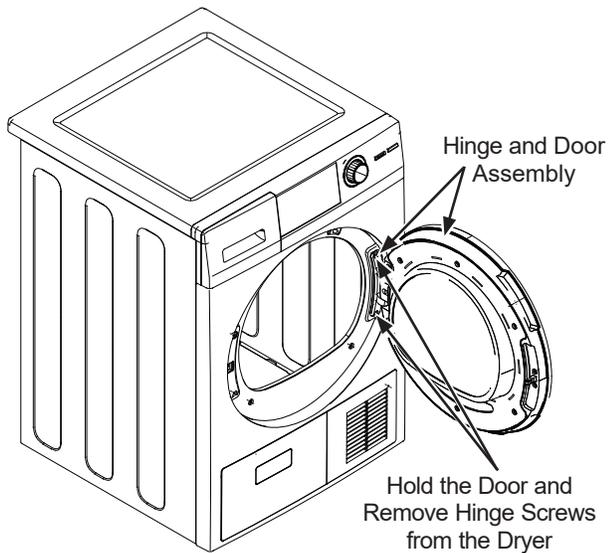
REVERSING THE DOOR SWING (Optional)

IMPORTANT NOTES

- Before you start, unplug the dryer from its electrical outlet.
- Handle parts carefully to avoid scratching paint.
- Provide a non-scratching work surface for the doors.
- Tools you will need: Phillips-head screwdriver.
- Once you begin, do not move the cabinet until door-swing reversal is completed.
- These instructions are for changing the hinges from the right side to the left side—if you ever want to switch them back to the right side, follow these same instructions and reverse all references to the left and right.

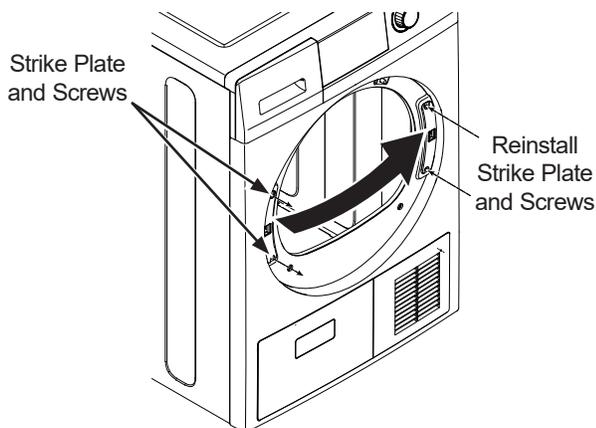
1 REMOVE THE DOOR ASSEMBLY

- Open the door. Remove the two screws holding the hinge/door assembly to the dryer. Carefully set the hinge/door assembly aside.



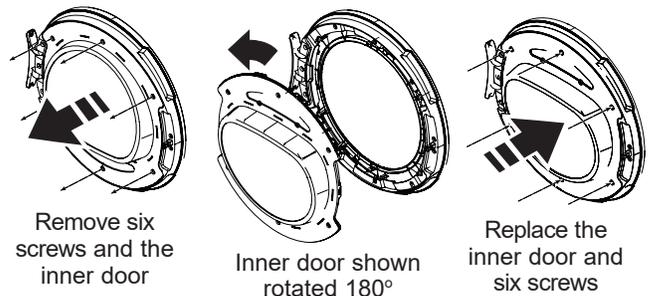
2 REMOVE, ROTATE AND REPLACE THE STRIKE PLATE

- Remove the two screws holding the strike plate. Rotate it and install it on the opposite side.



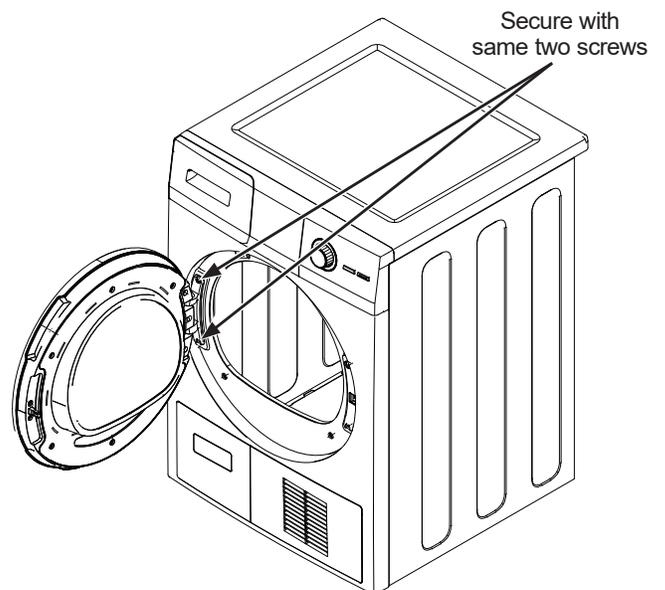
3 REMOVE, ROTATE AND REPLACE THE INNER DOOR

- Remove the six screws securing the inner door to the outer door. Remove the inner door, rotate it 180° and reinstall it into the outer door using the same six screws.



4 ROTATE AND REPLACE THE HINGE/DOOR ASSEMBLY

- Rotate and replace the hinge/door assembly, on the opposite side, using the same two screws.



Notes

Troubleshooting Tips... Before you call for service

Problem	Possible Cause	What To Do
Dryer shakes or makes noise	Some shaking/noise is normal. Dryer may be sitting unevenly.	Move dryer to an even floor space, or adjust leveling legs as necessary until even.
Clothes take too long to dry	Improper sorting	Separate heavy items from lightweight items (generally, a well-sorted washer load is a well-sorted dryer load).
	Large loads of heavy fabrics (like beach towels)	Large, heavy fabrics contain more moisture and take longer to dry. Separate large, heavy fabrics into smaller loads to speed drying time.
	Non-venting dryer	Condensing dryers usually take longer to dry than a vented dryer.
	Controls improperly set	Match control settings to the load you are drying.
	Condenser box is clogged	Remove and clean the condenser box. Also, clean the location where the condenser box is located ensuring all seals are free from debris. Put the condenser box back and lock it in place. See Condenser in the Care and Cleaning section.
	Lint filter is full	Clean lint filter before every load.
	Blown fuses or tripped circuit breaker	Replace fuses or reset circuit breakers. Since most dryers use 2 fuses/breakers, make sure both are operating.
	Overloading/combining loads	Do not put more than one washer load in the dryer at a time.
	Underloading	If you are drying only one or two items, add a few items to ensure proper tumbling.
The Dry dryness level was chosen but load is still damp	Load consists of a mixture of heavy and light fabrics	When combining heavy and light fabrics in a load, choose More Dry .
	Lint filter, condenser, and/or air intake vent located on the front of the dryer is blocked	Inspect and clean lint filter, condenser, and/or air intake vent located on the front of the dryer.
	Dry Sensor is dirty	Clean the sensor with a moist cloth.
Control buttons not responding	Controls accidentally put in service mode	Press Start/Pause .
	Controls accidentally put in lock mode	Hold the Lock Control button for 3 seconds to unlock the dryer.
	Controls performed an incorrect operation	Reset the in-house breaker.
Dryer doesn't start	Control panel is "asleep"	This is normal. Press Power to activate the control panel.
	Dryer is unplugged	Make sure the dryer plug is pushed completely into the outlet.
	Fuse is blown/circuit breaker is tripped	Check the building's fuse/circuit breaker box and replace fuse or reset breaker. NOTE: Electric dryers use two fuses or breakers.
	Dryer was accidentally paused when starting Delay Dry	If the light on the Start/Pause button is flashing, the dryer is paused. Press Start/Pause to restart the countdown.
	Water tank is full	If the Empty Tank light is on, you must empty the water tank before the dryer will start. Refer to the Care and Cleaning section for instructions on emptying the water tank.
No numbers displayed during cycle, only lights	Dryer is continuously monitoring the amount of moisture in the clothes	This is normal. When the dryer senses a low level of moisture in the load, the dryer will display the dry time remaining.

Troubleshooting Tips... Before you call for service

Problem	Possible Causes	What To Do
Time Remaining jumped to a lower number	The estimated time may change when a smaller load than usual is drying	This is normal.
Cannot make a selection and the dryer beeps twice	The dryness Level, Temp or option that you are trying to select is incompatible with the chosen dry cycle	This is normal.
Dryer is running but 00 is displayed in Time Remaining	The Ext Tumble option was chosen	This is normal. During extended tumbling, the time remaining is not displayed. The extended tumbling option lasts approximately 60 minutes.
Clean Lint Filter (message)	Power button was activated	Press Start/Pause to begin a dry cycle and the message will disappear.
Dryer doesn't heat	Fuse is blown/circuit breaker is tripped; the dryer may tumble but not heat	Check the building's fuse/circuit breaker box and replace both fuses or reset both breakers. Your dryer may tumble if only one fuse is blown or one breaker tripped.
Inconsistent drying times	Type of load and drying conditions	The load size, types of fabric, wetness of clothes and the condition of the lint filter, condenser, and/or air intake vent located on the front of the dryer will affect drying times.
	Excess debris has collected on the condenser preventing proper airflow	Refer to the Care and Cleaning section.
Glow at the rear of the drum	Heaters behind the drum	This is normal. Under certain drying conditions and room ambient lighting, the glow of the heaters may be visible at the rear of the drum.
Clothes are still wet and dryer shut off after a short time	The door was opened mid-cycle. The load was then removed from the dryer and a new load put in without selecting a new cycle	A dry cycle must be reselected each time a new load is put in.
	Small load	When drying 3 items or less, choose Quick Dry or Time Dry .
	Load was already dry except for collars and waistbands	Choose Quick Dry or Time Dry to dry damp collars and waistbands. In the future, when drying a load with collars and waistbands, choose More Dry .
	Dryer is not level	Move dryer to an even floor space or adjust leveling legs as necessary until even.
Clothes are wrinkled	Overdrying	Select a shorter drying time. Remove items while they still hold a slight amount of moisture. Select a Less Dry or Damp setting.
	Letting items sit in dryer after cycle ends Overloading	Remove items when cycle ends and fold or hang immediately, or use the Ext Tumble option. Separate large loads into smaller ones.

Troubleshooting Tips... Before you call for service

Problem	Possible Causes	What To Do
Clothes shrink	Some fabrics will naturally shrink when washed. Others can be safely washed, but will shrink in the dryer.	To avoid shrinkage, follow garment care labels exactly. Some items may be pressed back into shape after drying. If you are concerned about shrinkage in a particular item, do not machine wash or tumble dry it.
Greasy spots on clothes	Improper use of fabric softener	Follow directions on fabric softener package.
	Drying dirty items with clean ones	Use your dryer to dry only clean items. Dirty items can stain clean items and the dryer.
	Clothes were not completely clean	Sometimes stains which cannot be seen when the clothes are wet appear after drying. Use proper washing procedures before drying.
Lint on clothes	Lint filter is full	Clean lint screen before each load.
	Improper sorting	Sort lint producers (like chenille) from lint collectors (like corduroy).
	Static electricity can attract lint	See suggestions in this section under Static occurs .
	Overloading	Separate large loads into smaller ones.
	Paper, tissue, etc., left in pockets	Empty all pockets before laundering clothes.
Static occurs	No fabric softener was used	Try a fabric softener. Bounce® Fabric Conditioner Dryer Sheets have been approved for use in all GE Appliances dryers when used in accordance with the manufacturer's instructions.
	Overdrying	Try a fabric softener. Adjust setting to Less Dry or Damp .
	Synthetics, permanent press and blends can cause static	Try a fabric softener.
Collars and waistbands still wet at end of cycle	The dryness monitor senses that the body of the clothes is dry	Choose Quick Dry or Time Dry to dry damp collars and waistbands. In the future, when drying a load with collars and waistbands, choose More Dry .
Slight variation in metallic color	This is normal	Due to the metallic properties of paint used for this unique product, slight variations of color may occur due to viewing angles and lighting conditions.
Dryer continues to tumble after display says Complete	Ext Tumble was selected	Ensure Ext Tumble option is not selected.

GE Appliances Dryer Limited Warranty

LIMITED WARRANTY

GEAppliances.com

All warranty service is provided by our Factory Service Centers, or an authorized Customer Care® technician. To schedule service online, visit us at GEAppliances.com/service, or call GE Appliances at 800.GE.CARES (800.432.2737). Please have your serial number and your model number available when calling for service.

Servicing your appliance may require the use of the onboard data port for diagnostics. This gives a GE Appliances factory service technician the ability to quickly diagnose any issues with your appliance and helps GE Appliances improve its products by providing GE Appliances with information on your appliance. If you do not want your appliance data to be sent to GE Appliances, please advise your technician not to submit the data to GE Appliances at the time of service.

For the period of:	We will replace:
One year From the date of the original purchase	Any part of the dryer which fails due to a defect in materials or workmanship. During this limited one-year warranty , we will also provide, free of charge , all labor and related service to replace the defective part.

What is not covered:

- Service trips to your home to teach you how to use the product.
- Improper installation, delivery or maintenance.
- Failure of the product if it is abused, misused, or used for other than the intended purpose or used commercially.
- Replacement of house fuses or resetting of circuit breakers.
- Products which are not defective or broken, or which are working as described in the Owner's Manual.
- Damage to the product caused by accident, fire, floods or acts of God.
- Incidental or consequential damage caused by possible defects with this appliance.
- Defects or damage due to operation in freezing temperatures.
- Damage caused after delivery.
- Product not accessible to provide required service.
- Cleaning of condenser to restore product drying performance.

EXCLUSION OF IMPLIED WARRANTIES

Your sole and exclusive remedy is product repair as provided in this Limited Warranty. Any implied warranties, including the implied warranties of merchantability or fitness for a particular purpose, are limited to one year or the shortest period allowed by law.

In the United States:

This limited warranty is extended to the original purchaser and any succeeding owner for products purchased for home use within the USA. If the product is located in an area where service by a GE Appliances Authorized Servicer is not available, you may be responsible for a trip charge or you may be required to bring the product to an Authorized GE Appliances Service location for service. In Alaska, the limited warranty excludes the cost of shipping or service calls to your home.

Some states do not allow the exclusion or limitation of incidental or consequential damages. This limited warranty gives you specific legal rights, and you may also have other rights which vary from state to state. To know what your legal rights are, consult your local or state consumer affairs office or your state's Attorney General.

Warrantor: GE Appliances, a Haier Company
Louisville, KY 40225

In Canada:

This limited warranty is extended to the original purchaser and any succeeding owner for products purchased in Canada for home use within Canada. If the product is located in an area where service by a GE Appliances Authorized Servicer is not available, you may be responsible for a trip charge or you may be required to bring the product to an Authorized GE Appliances Service location.

Some provinces do not allow the exclusion or limitation of incidental or consequential damages. This limited warranty gives you specific legal rights, and you may also have other rights which vary from province to province. To know what your legal rights are, consult your local or provincial consumer affairs office.

Warrantor: MC Commercial Inc., Burlington, ON, L7R 5B6

Extended Warranties: Purchase a GE Appliances extended warranty and learn about special discounts that are available while your warranty is still in effect. You can purchase it online anytime at

GEAppliances.com/extended-warranty

or call 800.626.2224 during normal business hours. GE Appliances Service will still be there after your warranty expires.

Staple your receipt here. Proof of the original purchase date is needed to obtain service under the warranty.

Consumer Support

GE Appliances Website

Have a question or need assistance with your appliance? Try the GE Appliances Website 24 hours a day, any day of the year! You can also shop for more great GE Appliances products and take advantage of all our on-line support services designed for your convenience. In the US: GEAppliances.com.

In Canada: GEAppliances.ca.

Register Your Appliance

Register your new appliance on-line at your convenience! Timely product registration will allow for enhanced communication and prompt service under the terms of your warranty, should the need arise. You may also mail in the pre-printed registration card included in the packing material. In the US: GEAppliances.com/register.

In Canada: Prodsupport.mabe.ca/crm/Products/ProductRegistration.aspx.

Schedule Service

Expert GE Appliances repair service is only one step away from your door. Get on-line and schedule your service at your convenience any day of the year. In the US: GEAppliances.com/service or call 800.432.2737 during normal business hours.

In Canada: GEAppliances.ca/en/support/service-request or call 800.561.3344.

Extended Warranties

Purchase a GE Appliances extended warranty and learn about special discounts that are available while your warranty is still in effect. You can purchase it on-line anytime. GE Appliances Services will still be there after your warranty expires. In the US: GEAppliances.com/extended-warranty or call 800.626.2224 during normal business hours.

In Canada: GEAppliances.ca/en/support/purchase-extended-warranty or call 866.277.9842.

Remote Connectivity

For assistance with wireless network connectivity (for models with remote enable), in the US visit our website at GEAppliances.com/connected-home-smart-appliances/ or call 800.220.6899.

In Canada: <http://www.geappliances.ca/en/news-and-promotions/what-is-hot/wifi-connect/>.

Parts and Accessories

Individuals qualified to service their own appliances can have parts or accessories sent directly to their homes (VISA, MasterCard and Discover cards are accepted). Order on-line today 24 hours every day.

In the US: GEApplianceparts.com or by phone at 877.959.8688 during normal business hours.

In Canada: GEAppliances.ca/en/products/parts-filters-accessories or call 800.661.1616.

Instructions contained in this manual cover procedures to be performed by any user. Other servicing generally should be referred to qualified service personnel. Caution must be exercised, since improper servicing may cause unsafe operation.

Contact Us

If you are not satisfied with the service you receive from GE Appliances, contact us on our Website with all the details including your phone number, or write to:

In the US: General Manager, Customer Relations | GE Appliances, Appliance Park | Louisville, KY 40225
GEAppliances.com/contact.

In Canada: Director, Consumer Relations, MC COMMERCIAL INC. | Suite 310, 1 Factory Lane | Moncton, N.B. E1C 9M3
GEAppliances.ca/en/contact-us.