



30" (76.2 CM) RANGE HOOD LINER

Installation Instructions and Use & Care Guide

For questions about features, operation/performance, parts, accessories or service, call: **1-866-664-2449**.

In Canada, for assistance, installation and service, call: **1-866-664-2449**.

CAMPANA PARA COCINA DE 30" (76,2 CM)

Instrucciones de instalación y Manual de uso y cuidado

Si tiene preguntas respecto a las características, funcionamiento, rendimiento, partes, accesorios o servicio técnico, llame al: **1-866-664-2449**.

HOTTE DE CUISINIÈRE DE 30" (76,2 CM)

Instructions d'installation et Guide d'utilisation et d'entretien

Au Canada, pour assistance, installation ou service, composez le **1-866-664-2449**

Table of Contents/Índice/Table des matières..... 2

For warranty concerns, do not take the appliance back to the store. Please contact us in U.S.A. or Canada at **1-866-664-2449**.

This product features a Limited Warranty - See the "Warranty" section for complete details. IKEA® appliances carry a 5-year warranty (excludes LAGAN family - see warranty for coverage details).

NOTE: Proof of Purchase is required to obtain warranty service.

Si tiene dudas acerca de la garantía, no devuelva el aparato a la tienda. Póngase en contacto con nosotros en los EE.UU. o en Canadá al **1-866-664-2449**.

Este producto tiene una garantía limitada - Consulte la sección "Garantía" para obtener todos los detalles. Los aparatos IKEA® tienen una garantía de 5 años (excluyendo los de la familia LAGAN - consulte la garantía para ver los detalles acerca de la cobertura).

NOTA: Se requiere la prueba de compra para obtener servicio bajo la garantía.

Pour toute question concernant l'application de la garantie, ne pas rapporter l'appareil au magasin. Veuillez nous contacter aux É.-U. ou au Canada au **1-866-664-2449**.

Ce produit est couvert par une garantie limitée - Voir la section "Garantie" pour des détails complets. Les appareils IKEA® sont couverts par une garantie de 5 ans (hormis les appareils de la série LAGAN - voir la garantie pour des détails concernant les modalités de garantie).

REMARQUE : Une preuve d'achat est obligatoire pour obtenir l'application de la garantie.

**IMPORTANT: READ AND SAVE THESE INSTRUCTIONS.
FOR RESIDENTIAL USE ONLY.**

**IMPORTANTE: LEA Y GUARDE ESTAS INSTRUCCIONES.
SÓLO PARA USO RESIDENCIAL.**

**IMPORTANT : LIRE ET CONSERVER CES INSTRUCTIONS.
POUR UTILISATION RÉSIDENIELLE UNIQUEMENT.**

TABLE OF CONTENTS

RANGE HOOD SAFETY	4	RANGE HOOD USE	15
INSTALLATION REQUIREMENTS	6	Range Hood Controls.....	15
Tools and Parts	6	RANGE HOOD CARE	16
Location Requirements	6	Cleaning.....	16
Venting Requirements	7	WIRING DIAGRAM	17
Electrical Requirements	9	ASSISTANCE OR SERVICE	18
INSTALLATION INSTRUCTIONS	10	In the U.S.A.	18
Prepare Location	10	In Canada	18
Cabinet Venting Preparation.....	11	Accessories	18
Install Range Hood.....	13	WARRANTY	18
Connect the Vent System	14		
Complete Installation	14		

ÍNDICE

SEGURIDAD DE LA CAMPANA PARA COCINA	18	USO DE LA CAMPANA PARA COCINA	28
REQUISITOS DE INSTALACIÓN	20	Controles de la campana para cocina.....	28
Herramientas y piezas.....	20	CUIDADO DE LA CAMPANA PARA COCINA	29
Requisitos de ubicación.....	20	Limpieza	29
Requisitos de ventilación	21	DIAGRAMA DE CABLEADO	30
Requisitos eléctricos	23	AYUDA O SERVICIO TÉCNICO	31
INSTRUCCIONES DE INSTALACIÓN	24	En los EE.UU.	31
Preparación de la ubicación	24	Accesorios.....	31
Preparación del armario para la ventilación	25	GARANTÍA	31
Instalación de la campana para cocina	27		
Conexión del sistema de ventilación	28		
Complete la instalación.....	28		

TABLE DES MATIÈRES

SÉCURITÉ DE LA HOTTE DE CUISINIÈRE	33	UTILISATION DE LA HOTTE	43
EXIGENCES D'INSTALLATION	35	Commandes de la hotte de cuisinière	43
Outils et pièces.....	35	ENTRETIEN DE LA HOTTE	44
Exigences d'emplacement.....	35	Nettoyage	44
Exigences concernant l'évacuation	36	SCHÉMAS DE CÂBLAGE	45
Spécifications électriques	38	ASSISTANCE OU SERVICE	46
INSTRUCTIONS D'INSTALLATION	39	Au Canada.....	46
Préparation de l'emplacement.....	39	Accessoires	46
Préparation du système d'aération du placard	40	GARANTIE	46
Installation de la hotte	42		
Raccordement du circuit d'évacuation.....	43		
Achever l'installation	43		

RANGE HOOD SAFETY

Your safety and the safety of others are very important.

We have provided many important safety messages in this manual and on your appliance. Always read and obey all safety messages.



This is the safety alert symbol.

This symbol alerts you to potential hazards that can kill or hurt you and others.

All safety messages will follow the safety alert symbol and either the word "DANGER" or "WARNING."

These words mean:

 **DANGER**

You can be killed or seriously injured if you don't immediately follow instructions.

 **WARNING**

You can be killed or seriously injured if you don't follow instructions.

All safety messages will tell you what the potential hazard is, tell you how to reduce the chance of injury, and tell you what can happen if the instructions are not followed.

State of California Proposition 65 Warnings:

WARNING: This product contains one or more chemicals known to the State of California to cause cancer.

WARNING: This product contains one or more chemicals known to the State of California to cause birth defects or other reproductive harm.

IMPORTANT SAFETY INSTRUCTIONS

WARNING: TO REDUCE THE RISK OF FIRE, ELECTRIC SHOCK, OR INJURY TO PERSONS, OBSERVE THE FOLLOWING:

- Use this unit only in the manner intended by the manufacturer. If you have questions, contact the manufacturer.
- Before servicing or cleaning the unit, switch power off at service panel and lock the service disconnecting means to prevent power from being switched on accidentally. When the service disconnecting means cannot be locked, securely fasten a prominent warning device, such as a tag, to the service panel.
- Installation work and electrical wiring must be done by qualified person(s) in accordance with all applicable codes and standards, including fire-rated construction.
- Do not operate any fan with a damaged cord or plug. Discard fan or return to an authorized service facility for examination and/or repair.
- Sufficient air is needed for proper combustion and exhausting of gases through the flue (chimney) of fuel burning equipment to prevent backdrafting. Follow the heating equipment manufacturer's guideline and safety standards such as those published by the National Fire Protection Association (NFPA), the American Society for Heating, Refrigeration and Air Conditioning Engineers (ASHRAE), and the local code authorities.
- When cutting or drilling into wall or ceiling; do not damage electrical wiring and other hidden utilities.
- Ducted fans must always be vented outdoors.

CAUTION: For general ventilating use only. Do not use to exhaust hazardous or explosive materials and vapors.

CAUTION: To reduce risk of fire and to properly exhaust air, be sure to duct air outside - do not vent exhaust air into spaces within walls or ceilings, attics or into crawl spaces, or garages.

WARNING: TO REDUCE THE RISK OF FIRE, USE ONLY METAL DUCTWORK.

WARNING: TO REDUCE THE RISK OF A RANGE TOP GREASE FIRE:

- Never leave surface units unattended at high settings. Boilovers cause smoking and greasy spillovers that may ignite. Heat oils slowly on low or medium settings.
- Always turn hood ON when cooking at high heat or when flambeing food (i.e. Crepes Suzette, Cherries Jubilee, Peppercorn Beef Flambé).
- Clean ventilating fans frequently. Grease should not be allowed to accumulate on fan or filter.
- Use proper pan size. Always use cookware appropriate for the size of the surface element.

WARNING: TO REDUCE THE RISK OF INJURY TO PERSONS IN THE EVENT OF A RANGE TOP GREASE FIRE, OBSERVE THE FOLLOWING:^a

- SMOTHER FLAMES with a close fitting lid, cookie sheet, or metal tray, then turn off the burner. BE CAREFUL TO PREVENT BURNS. If the flames do not go out immediately, EVACUATE AND CALL THE FIRE DEPARTMENT.
- NEVER PICK UP A FLAMING PAN - you may be burned.
- DO NOT USE WATER, including wet dishcloths or towels - a violent steam explosion will result.
- Use an extinguisher ONLY if:
 - You know you have a class ABC extinguisher, and you already know how to operate it.
 - The fire is small and contained in the area where it started.
 - The fire department is being called.
 - You can fight the fire with your back to an exit.

^aBased on "Kitchen Fire Safety Tips" published by NFPA.

- **WARNING:** To reduce the risk of fire or electrical shock, do not use this fan with any solid-state speed control device.

READ AND SAVE THESE INSTRUCTIONS

INSTALLATION REQUIREMENTS

Tools and Parts

Gather the required tools and parts before starting installation. Read and follow the instructions provided with any tools listed here.

Tools needed

- Level
- Drill
- 1/8" (3 mm) drill bit
- Pencil
- Pliers
- Tape measure or ruler
- Caulking gun and weatherproof caulking compound
- Phillips screwdriver
- Flat-blade screwdriver
- Saber or keyhole saw
- Vent clamps
- Metal snips

Parts needed

- 6" (15.2 cm) round metal vent system

For vented installations, you will need:

- 1 wall or roof cap

For non-vented (recirculating) installations, you will also need:

- Charcoal Filter Kit W10272068. See the "Assistance or Service" section to order.

Parts supplied

Remove parts from packages. Check that all parts are included.

- Hood liner assembly
- Vent transition with damper
- Cabinet filler strip
- 2 - mounting brackets
- 1 - 30" x 12" (76.2 x 30.5 cm) face panel
- 1 - 30" (76.2 cm) face panel extension
- 2 - metal grease filters
- 1 - vent cover

Hardware package. Includes:

- Installation Instructions and Use and Care Guide
- 6 - spacers
- 14 - 4.5 x 13 mm wood screws (#2 Phillips drive)
- 2 - 4.2 x 15 mm sheet metal screws (T10 TORX[†] drive)
- 4 - 3.5 x 9.5 mm flat-head sheet metal screws (T10 TORX[®] drive)
- 8 - 4.2 x 19 mm sheet metal screws (#2 Phillips drive)
- 2 - 3.5 x 9.5 mm sheet metal screws (T10 TORX[®] drive)
- 8 - 4.2 x 8 mm sheet metal screws (T10 TORX[®] drive)
- T10 TORX[®] adapter
- 8 - metal washers
- 8 - plastic washers

Location Requirements

IMPORTANT: Observe all governing codes and ordinances.

Have a qualified technician install the range hood. It is the installer's responsibility to comply with installation clearances specified on the model/serial rating plate. The model/serial rating plate is located inside the liner behind the filter on the left wall of the range hood.

Range hood location should be away from strong draft areas, such as windows, doors, and strong heating vents.

Cabinet opening dimensions that are shown must be used. Given dimensions provide minimum clearance. Consult your cooktop/range manufacturer installation instructions before making any cutouts.

Grounded electrical outlet is required. See "Electrical Requirements" section.

This range hood is recommended for use with cooktops with a maximum total rating of 65,000 Btus or less.

The range hood is factory set for vented installations through the roof or wall. For non-vented (recirculating) installations see "Non-Vented (recirculating) Installation Through the Soffit/Cabinet" in the "Prepare Location" section. Charcoal Filter Kit Part Number W10272068 is available from your dealer or an authorized parts distributor.

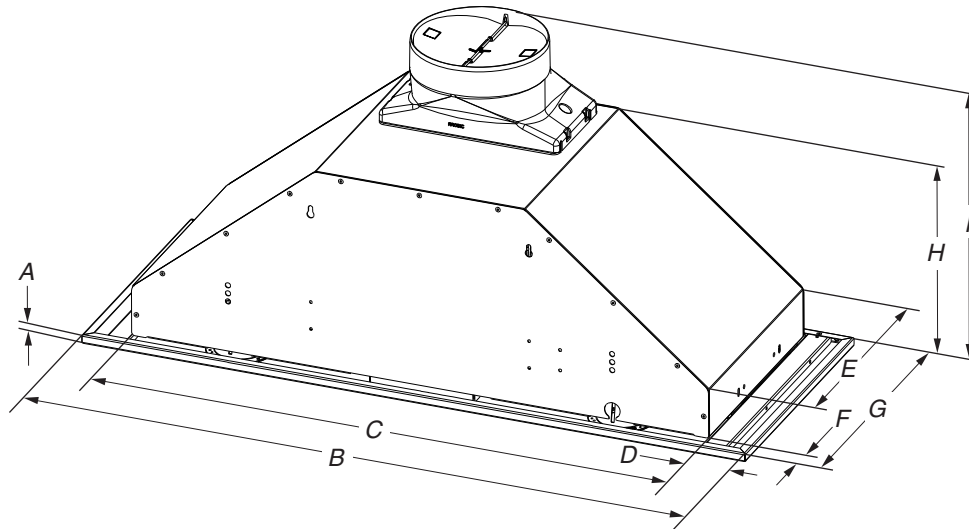
All openings in ceiling and wall where range hood will be installed must be sealed.

For Mobile Home Installations

The installation of this range hood must conform to the Manufactured Home Construction Safety Standards, Title 24 CFR, Part 328 (formerly the Federal Standard for Mobile Home Construction and Safety, title 24, HUD, Part 280) or when such standard is not applicable, the standard for Manufactured Home Installation 1982 (Manufactured Home Sites, Communities and Setups) ANSI A225.1/NFPA 501A, or latest edition, or with local codes.

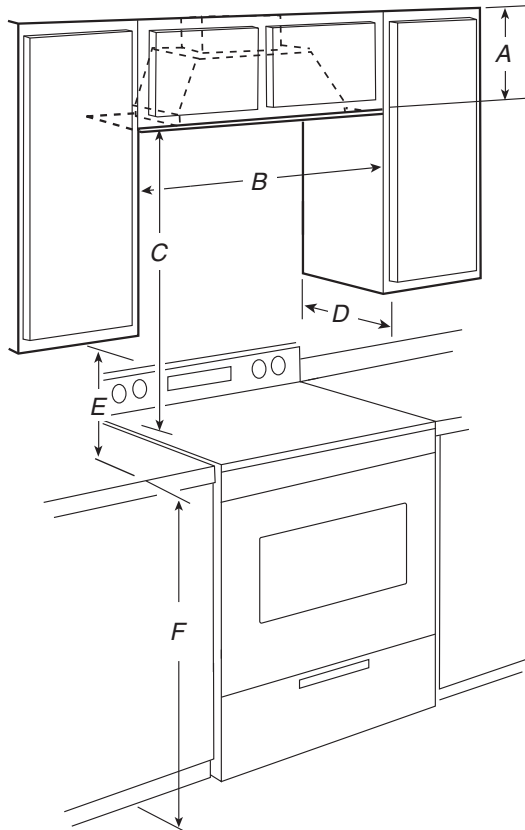
[†]TORX is a registered trademark of Acument Intellectual Properties, LLC.

Product Dimensions



A. $\frac{3}{8}$ " (1.0 cm)	D. 2" (5.1 cm)	G. $11\frac{7}{8}$ " (30.2 cm)
B. 30" (76.2 cm)	E. $10\frac{3}{4}$ " (27.4 cm)	H. $9\frac{1}{8}$ " (23.2 cm)
C. 26" (66.0 cm)	F. $\frac{3}{4}$ " (1.9 cm)	I. $13\frac{5}{8}$ " (34.6 cm)

Cabinet Dimensions



A. 12" (30.5 cm) min. upper cabinet height	D. 12" (30.5 cm) min. cabinet depth
B. 30" (76.2 cm) cabinet opening width	E. 15" (38.1 cm) min. clearance upper cabinet to countertop
C. 24" (61 cm) min. from electric cooking surface, 27" (68.6 cm) min. from gas cooking surface 36" (91.4 cm) suggested max. bottom of cabinet to cooking surface	F. 36" (91.4 cm) base cabinet height

Venting Requirements (vented models only)

- Vent system must terminate to the outside, except for non-vented (recirculating) installations.
- Do not terminate the vent system in an attic or other enclosed area.
- Do not use a 4" (10.2 cm) laundry-type wall cap.
- Use metal vent only. A rigid metal vent is recommended. Plastic or metal foil vent is not recommended.
- The length of the vent system and number of elbows should be kept to a minimum to provide efficient performance.

For the most efficient and quiet operation:

- Use no more than three 90° elbows.
- Make sure there is a minimum of 24" (61.0 cm) of straight vent between the elbows if more than 1 elbow is used.
- Do not install 2 elbows together.
- The vent system must have a damper.
- Use clamps to seal all joints in the vent system.
- Use caulking to seal exterior wall or roof opening around the cap.
- The size of the vent should be uniform.

Cold weather installations

An additional back draft damper should be installed to minimize backward cold air flow and a thermal break should be installed to minimize conduction of outside temperatures as part of the vent system. The damper should be on the cold air side of the thermal break.

The break should be as close as possible to where the vent system enters the heated portion of the house.

Makeup air

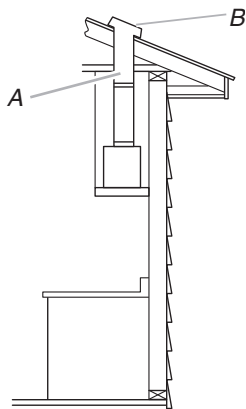
Local building codes may require the use of makeup air systems when using ventilation systems with greater than specified CFM of air movement. The specified CFM varies from locale to locale. Consult your HVAC professional for specific requirements in your area.

Venting Methods

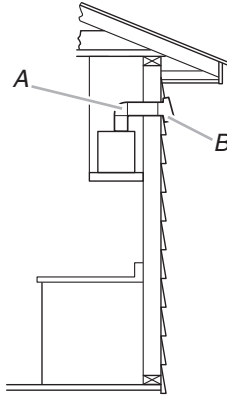
This range hood is factory set for venting through the roof or through the wall.

The vent system needed for installation is not included. A 6" (15.2 cm) round vent system is recommended.

Roof Venting



Wall Venting



A. 6" (15.2 cm) vent through the roof A. 6" (15.2 cm) vent through the wall
B. Roof cap B. Wall cap

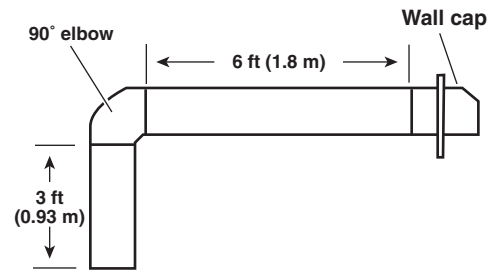
Calculate Vent System Length

The recommended vent system is 6" (15.2 cm) round vent with a maximum length of 35 ft (10.7 m). For the best performance, use no more than three 90° elbows.

To calculate the length of the system, add the equivalent feet (meters) for each of the vent pieces used in the system.

Vent Piece	6" (15.2 cm)	
45° elbow	2.5 ft (0.8 m)	
90° elbow	5.0 ft (1.5 m)	

Example vent system - 6" (15.2 cm)



Maximum Length = 35 ft (10.7 m)

1 - 90° elbow = 5 ft (1.5 m)

1 - wall cap = 0 ft (0 m)

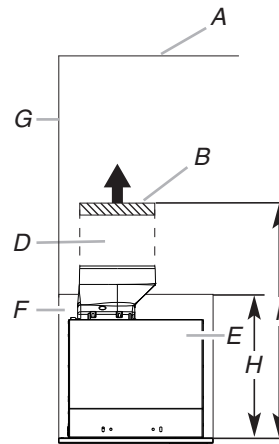
9 ft (2.8 m) straight = 9 ft (2.8 m)

System length = 14 ft (4.3 m)

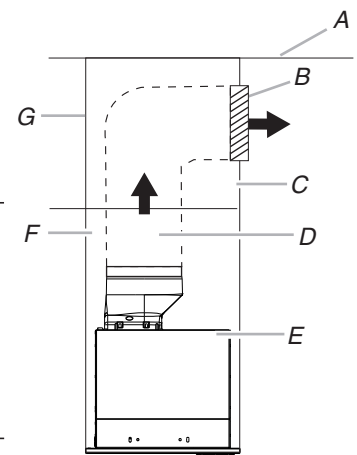
Non-Vented (recirculating) Installations Through the Soffit/Cabinet

If it is not possible to vent cooking fumes and vapors to the outside, the range hood can be used in the non-vented (recirculating) version, using a charcoal filter. Charcoal Filter Kit Part Number W10272068 is available from the dealer or an authorized parts distributor.

Through Cabinet



Through Soffit



A. Ceiling
B. Vent cover
C. Soffit
D. 6" (15.2 cm) vent
E. Range hood

F. Cabinet
G. Wall
H. 12" (30.5 cm) min. cabinet height
I. 17" (43.2 cm) min. vent cover height

NOTE: 12" (30.5 cm) high cabinets without a soffit may allow the 6" (15.2 cm) vent and vent cover to be seen.

Electrical Requirements

⚠ WARNING



Electrical Shock Hazard

Plug into a grounded 3 prong outlet.

Do not remove ground prong.

Do not use an adapter.

Do not use an extension cord.

Failure to follow these instructions can result in death, fire, or electrical shock.

IMPORTANT: The range hood must be electrically grounded in accordance with local codes and ordinances, or in the absence of local codes, with the National Electrical Code, ANSI/NFPA 70 (latest edition) or Canadian Electrical Code, CSA C22.1 No. 0-M91 (latest edition).

If codes permit and a separate ground wire is used, it is recommended that a qualified electrical installer determine that the ground path is adequate.

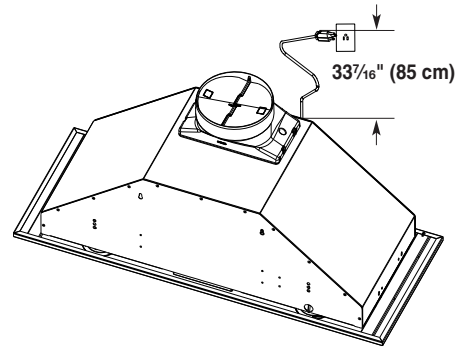
A copy of the above code standards can be obtained from:

National Fire Protection Association
1 Batterymarch Park
Quincy, MA 02169-7471

CSA International
8501 East Pleasant Valley Road
Cleveland, Ohio 44131-5575

- A 120 volt, 60 Hz, AC only, 15- or 20-amp, fused electrical circuit is required. A time-delay fuse or circuit breaker is also recommended. It is recommended that a separate circuit serving only this range hood be provided.
- This range hood is equipped with a power supply cord having a 3 prong grounding plug.
- To minimize possible shock hazard, the cord must be plugged into a mating, 3 prong, grounding-type outlet, grounded in accordance with local codes and ordinances. If a mating outlet is not available, it is the personal responsibility and obligation of the customer to have the properly grounded outlet installed by a qualified electrician.

- The grounded 3 prong outlet is to be located inside the cabinet above the range hood at a maximum distance of $33\frac{7}{16}$ " (85.0 cm) from where the power cord exits the hood. See illustration.



- The grounded 3 prong outlet must be accessible after the hood installation. Do not install it in a closed cabinet with no access.

GROUNDING INSTRUCTIONS

- **For a grounded, cord-connected range hood:** This range hood must be grounded. In the event of an electrical short circuit, grounding reduces the risk of electric shock by providing an escape wire for the electric current. This range hood is equipped with a cord having a grounding wire with a grounding plug. The plug must be plugged into an outlet that is properly installed and grounded.

WARNING: Improper grounding can result in a risk of electric shock.

Consult a qualified electrician if the grounding instructions are not completely understood, or if doubt exists as to whether the range hood is properly grounded.

Do not use an extension cord. If the power supply cord is too short, have a qualified electrician install an outlet near the range hood.

SAVE THESE INSTRUCTIONS

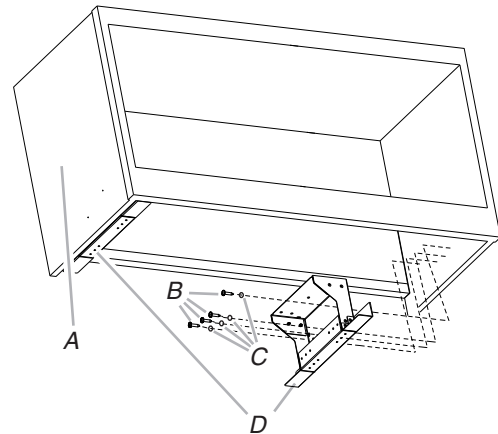
INSTALLATION INSTRUCTIONS

Prepare Location

- It is recommended that the vent system be installed before the range hood is installed.
 - Before making cutouts, make sure there is proper clearance within the ceiling or wall for vent fittings.
 - Making the cutout to the bottom of the cabinet may be easier to do prior to mounting the cabinet to the wall.
1. Disconnect power.
 2. Determine which venting method to use: roof, wall, or non-vented.
 3. Select a flat surface for assembling the range hood. Place covering over that surface.

5. Remove the cabinet doors from the door hinge clips that are mounted to the inside of the cabinet according to the instructions that come with the door hinges.
6. Locate side mounting bracket flush to the bottom of the cabinet side and against the inside of the front of the cabinet filler strip. Orient the bracket as shown in the following illustration. Drill $\frac{1}{8}$ " (3 mm) pilot holes in 8 places, attach a bracket using four 4.5 x 13 mm #2 Phillips screws to each side of the cabinet, and tighten.

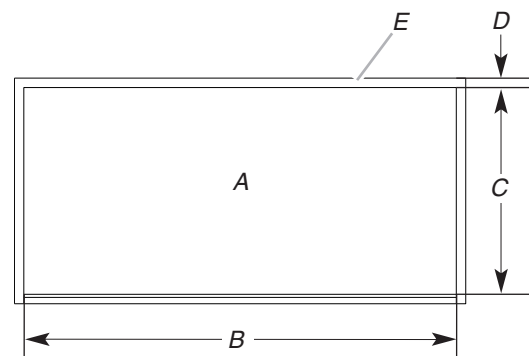
Bracket Orientation for 30" (76.2 cm) Cabinet



- A. 30" (76.2 cm) cabinet
- B. Screws - 4.5 x 13 mm #2 Phillips (8)
- C. Metal washers (optional)
- D. Mounting bracket (2) (position for 30" [76.2 cm] cabinet)

Frame Type Cabinets 12" (30.5 cm) depth

1. Use a saber saw or keyhole saw to cut out the cabinet bottom inside the cabinet frame.



- A. Bottom of cabinet cutout
- B. Bottom must be cut flush to the inside walls of the cabinet.
- C. $10\frac{7}{8}$ " (27.6 cm) min. from the inside of the cabinet front face
- D. $\frac{3}{4}$ " (1.9 cm) thick front face required for cabinet bottom.
- E. Front of cabinet

⚠ WARNING

Excessive Weight Hazard

Use two or more people to move and install range hood.

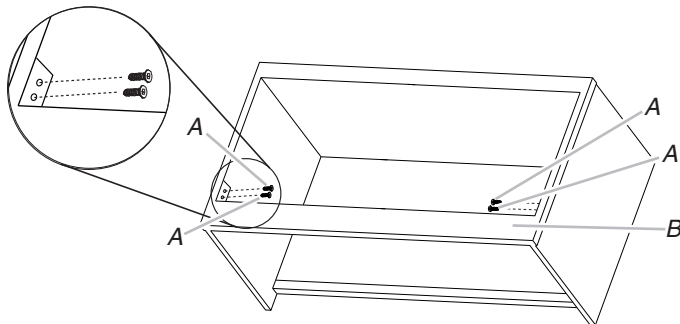
Failure to do so can result in back or other injury.

4. Using 2 or more people, lift range hood onto covered surface.

Range Hood Cabinet Cutout

IKEA SEKTION Type Cabinets

1. Assemble the IKEA SEKTION cabinet using assembly instructions that come with the cabinet with the exception: "Do not assemble the bottom panel or the doors."
2. Use the instructions included with the IKEA SEKTION cabinet to install the assembled cabinet to the wall.
3. Install the cabinet filler strip (supplied with range hood). Align the cabinet filler strip flush with the bottom and front face of the cabinet. Mark and drill $\frac{1}{8}$ " (3 mm) pilot holes in 2 places on each end. Secure the cabinet filler strip to the inside of the cabinet using four 4.5 x 13 mm #2 Phillips wood screws.

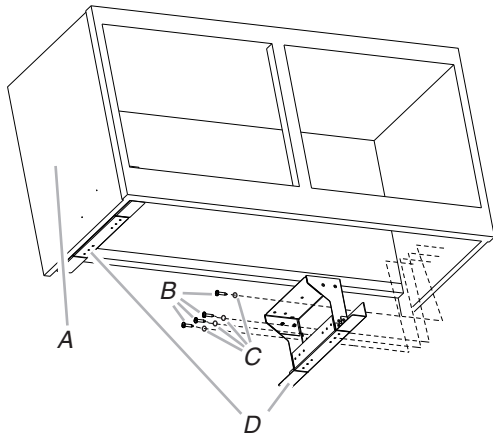


- A. Screws - 4.5 x 13 mm (#2 Phillips) (4)
- B. Cabinet filler strip (supplied)

4. Assemble the cabinet doors to the cabinet using the instructions that come with the door hinges.
NOTE: Align the cabinet doors, if necessary, using the instructions that come with the door hinges.

- Locate side mounting bracket flush to the bottom of the cabinet side and against the inside of the front cabinet face. Orient the bracket as shown in the following illustration. Drill $\frac{1}{8}$ " (3 mm) pilot holes in 8 places, attach a bracket using four 4.5 x 13 mm #2 Phillips screws to each side of the cabinet, and tighten. Additional plastic washers in hardware package are supplied as spacers for cabinet walls thinner than $\frac{1}{2}$ " (13 mm).

Bracket Orientation for 30" (76.2 cm) Cabinet



- A. 30" (76.2 cm) cabinet
- B. Screws - 4.5 x 13 mm #2 Phillips (8)
- C. Metal washers (optional)
- D. Mounting bracket (2) (position for 30" [76.2 cm] cabinet)

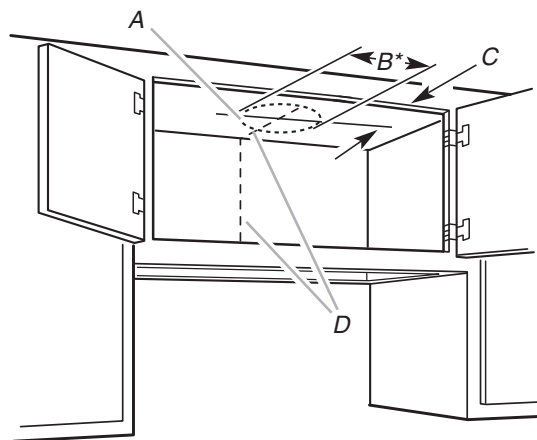
Cabinet Venting Preparation

- Complete cabinet preparation following the instructions for your type of venting. Determine venting cutout locations and cut out vent openings in the cabinets, walls and/or soffit.

Venting Outside Through the Roof

Measure and mark the lines as shown. Use a saber saw or keyhole saw to cut an opening through the top of the cabinet and the roof for the vent.

Go to Step 2.

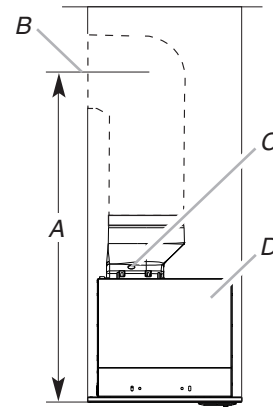


- A. Cutout
- B. $6\frac{1}{4}$ " (15.9 cm)*
- C. $7\frac{3}{4}$ " (19.7 cm) centerline to cabinet front
- D. Centerline

***NOTE:** For 12" (30.5 cm) high cabinets a $6\frac{1}{4}$ " deep x 8" wide (15.9 cm x 20.3 cm) rectangular opening in the cabinet top is required for damper transition clearance.

Venting Outside Through the Wall

Install the 6" (15.2 cm) vent transition to the top of the range hood liner using two 3.5 x 9.5 mm T10 screws. Assemble the vent duct that you will use over the 6" (15.2 cm) vent transition. Measure from the bottom of the range hood liner to the horizontal centerline of the vent opening (A).

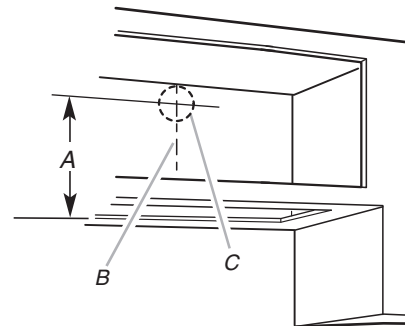


- A. Measurement A
- B. Horizontal centerline of vent opening
- C. 3.5 x 9.5 mm T10 screws
- D. Range hood liner

Remove the vent duct from the range hood liner.

Transfer measurement A to the cabinet back wall. Measure from the underside of the cabinet. Mark the cutout as shown. Use a saber saw or keyhole saw to cut a round opening through the back of the cabinet and the exterior wall for the vent.

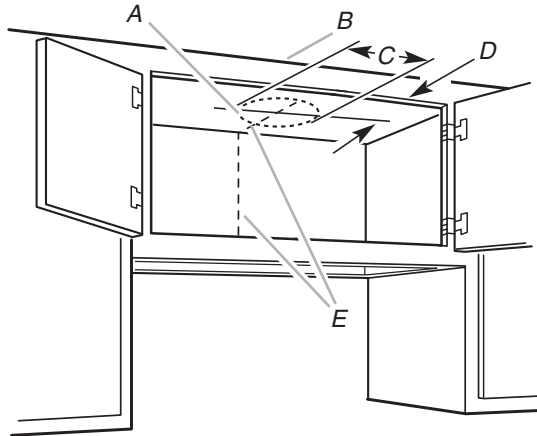
Go to Step 2.



- A. Measurement A
- B. Centerline
- C. $6\frac{1}{4}$ " (15.9 cm) round cutout

Non-Vented (recirculating) Installation Through the Soffit/Cabinet

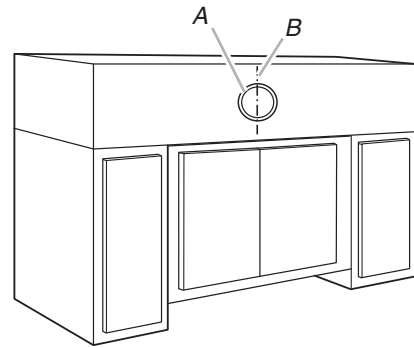
Measure and mark the centerline location for the cutout in the cabinet top. Use a saber saw or keyhole saw to cut an opening for the vent.



- A. Cutout
- B. Vent cover (installation without soffit)
- C. See the following chart.
- D. 7 3/4" (19.7 cm) centerline to cabinet front
- E. Centerline

Measure and mark the centerline of the cabinet to the soffit above.

Measure from the bottom of the cabinet to the centerline of where the vent will come through the soffit. Mark the location and use a saber saw or keyhole saw to cut a 5 3/4" (14.6 cm) hole for the vent cover. Attach the vent cover using two 4.5 x 13 mm #2 Phillips screws.



- A. Vent cover
- B. Centerline

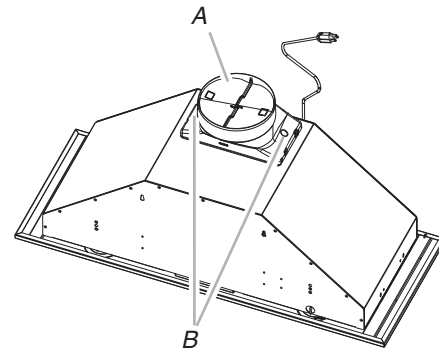
For non-vented (recirculating) installations only, the range hood can be vented indoors through the top of the cabinet.

For non-vented (recirculating) installations, charcoal filters are necessary. See the "Range Hood Care" section for instructions on installing charcoal filters.

The Charcoal Filter Kit Part Number W10272068 must be used.

Complete Preparation

2. If it is not yet attached, install the 6" (15.2 cm) vent transition to the top of the range hood liner using two 3.5 x 9.5 mm T10 screws.



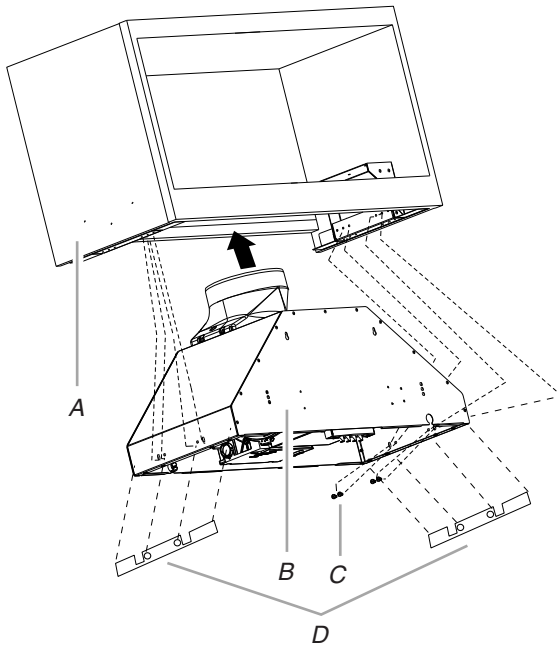
- A. Vent transition
- B. 3.5 x 9.5 mm T10 screws

3. Install the vent system according to the method needed. Use caulking to seal the exterior wall or roof opening.

Cabinet Height	Hole Shape and Size
12" (30.5 cm)	A 6 1/4" deep x 8" wide (15.9 cm x 20.3 cm) rectangular opening in the cabinet top is required for damper transition clearance.
15" (38.1 cm) cabinet or soffit installation	A 6 1/4" (15.9 cm) diameter round opening is required.
18" (45.7 cm) or 24" (61.0 cm)	A 5 3/4" (14.6 cm) diameter round opening is required.

Install Range Hood

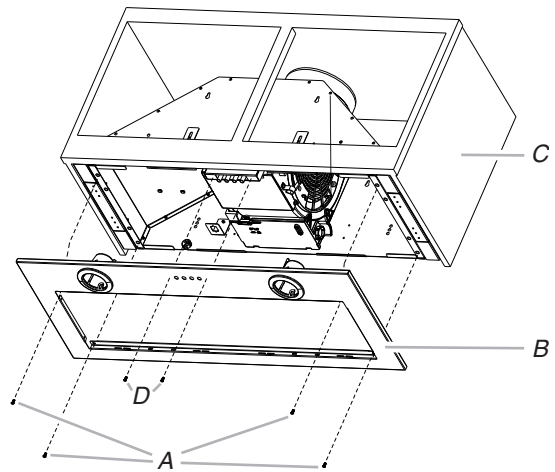
- Using 2 or more people, lift the hood liner into its mounted location. Attach with four 4.2 x 19 mm #2 Phillips screws into the slotted openings. Do not tighten screws.



- A. Cabinet
 B. Hood liner canopy assembly
 C. Screws - 4.2 x 19 mm #2 Phillips (8)
 D. Spacer - optional

- If needed, insert up to three (3) spacers between each side of the canopy and the mounting plate to space and center the canopy in the cabinet. Align the bottom of the canopy with the bottom of the cabinet. Install four 4.2 x 19 mm #2 Phillips screws into the round mounting plate openings and tighten all (8) mounting screws.
- Remove the metal grease filters from the face panel. See the "Range Hood Care" section.

- Attach the face panel to the hood liner. (The 30" x 12" [76.2 cm x 30.5 cm] cabinet size is shown.)
 See instructions below for your specific cabinet size.



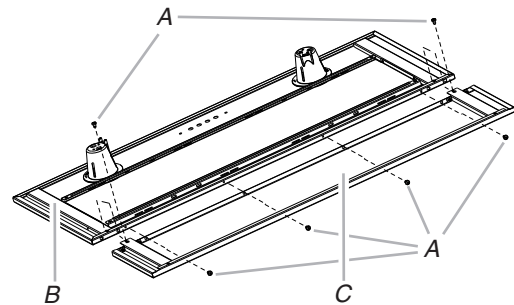
- A. Screws - 3.5 x 9.5 mm flat-head (4)
 B. Face plate (30" x 12" [76.2 cm x 30.5 cm] shown)
 C. Cabinet (30" x 12" [76.2 cm x 30.5 cm] shown)
 D. Screws - 4.2 x 15 mm truss-head (2)

For cabinet size - 30" x 12" (76.2 cm x 30.5 cm)

Attach the 30" x 12" (76.2 cm x 30.5 cm) face panel (supplied with range hood) to the hood liner using four 3.5 x 9.5 mm flat-head screws and two 4.2 x 15 mm truss head screws. Tighten to secure.

For cabinet size - 30" x 15" (76.2 cm x 38.1 cm)

Assemble the face panel rear extension to the 30" x 12" (76.2 cm x 30.5 cm) face panel using eight 4.2 x 8 mm screws.



- A. Screws - 4.2 x 8 mm (8)
 B. Face panel
 C. Face panel rear extension

Attach the 30" x 15" (76.2 cm x 38.1 cm) face panel assembly to the hood liner using four 3.5 x 9.5 mm flat-head screws and two 4.2 x 15 mm truss head screws. Tighten to secure.

- Connect the lamp electrical connectors.

Connect the Vent System

Vented Installations

1. Connect the vent system to the range hood vent opening. Seal the connection with clamps.

Non-Vented (recirculating) Installations

1. Connect the vent system to the range hood vent opening. Seal the connection with clamps.
2. Install vent cover.
3. Install charcoal filters. See the “Range Hood Care” section. To order replacement kits, see the “Assistance or Service” section.

Complete Installation

1. Replace grease filters. See the “Range Hood Care” section.

⚠ WARNING



Electrical Shock Hazard

Plug into a grounded 3 prong outlet.

Do not remove ground prong.

Do not use an adapter.

Do not use an extension cord.

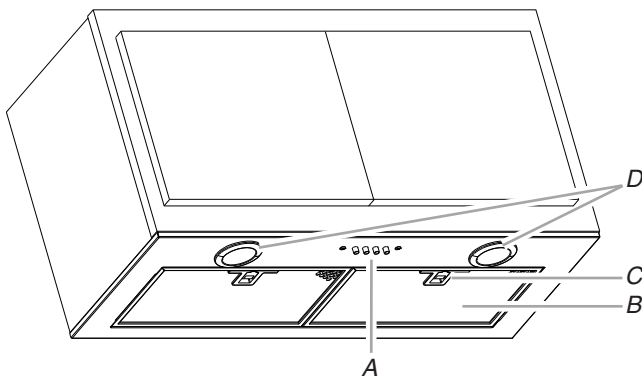
Failure to follow these instructions can result in death, fire, or electrical shock.

2. Plug 3 prong power cord into a grounded 3 prong outlet located inside the cabinet above the range hood.
3. Check the operation of the range hood fan and light. See “Range Hood Use” section.
If range hood does not operate, check to see whether a circuit breaker has tripped or a household fuse has blown. Disconnect power and check wiring connections.
NOTE: To get the most efficient use from your new range hood, read the “Range Hood Use” section.
4. Install the cabinet doors to the cabinet. Use the assembly instructions that come with the cabinet.

RANGE HOOD USE

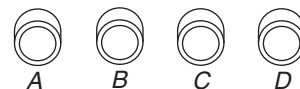
The range hood is designed to remove smoke, cooking vapors and odors from the cooktop area. For best results, start the hood before cooking and allow it to operate several minutes after the cooking is complete to clear all smoke and odors from the kitchen.

The hood controls are located on the center of the front of the range hood liner.



- A. Blower and light controls
- B. Grease filter
- C. Grease filter handle
- D. Halogen lamp housings

Range Hood Controls



- A. On/Off light button
- B. Blower off and speed minimum button
- C. Blower speed medium button
- D. Blower speed maximum button

Operating the Light

The On/Off light button controls all lights. Press once for On and again for Off.

Operating the Blower

The Blower Speed buttons turn the blower on and control the blower speed and sound level for quiet operation. The speed can be changed anytime during fan operation by pressing the desired blower speed button.

Press the Blower Off button a second time to turn off the blower.

RANGE HOOD CARE

Cleaning

IMPORTANT: Clean the hood and grease filters frequently according to the following instructions. Replace grease filters before operating hood.

Exterior Surfaces:

To avoid damage to the exterior surface, do not use steel wool or soap-filled scouring pads.

Always wipe dry to avoid water marks.

Cleaning Method:

- Liquid detergent soap and water, or all-purpose cleanser
- Wipe with damp soft cloth or nonabrasive sponge, then rinse with clean water and wipe dry.

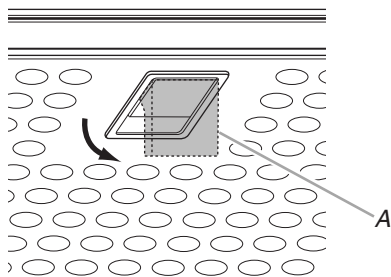
Metal Grease Filter

The filters should be washed frequently. Place metal filters in dishwasher or hot detergent solution to clean.

Let filter dry thoroughly before replacing it.

Turn off fan and lights. Allow halogen lamp to cool.

1. Remove each filter by pulling the spring release handle and then pulling down the filter.



A. Spring release handle

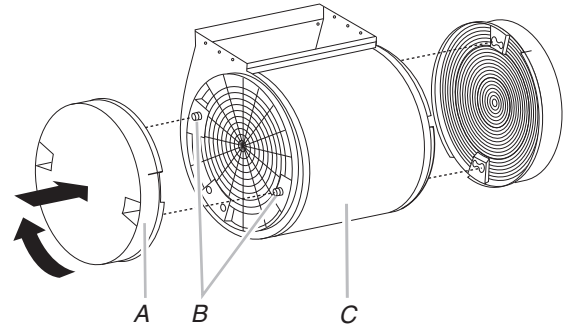
2. Wash metal filters as needed in dishwasher or hot detergent solution.
3. Reinstall the filter by making sure the spring release handles are toward the front. Insert metal grease filter into upper track.
4. Pull the spring release handle down.
5. Push up on metal filter and release handle to latch into place.
6. Repeat steps 1-5 for the other filter.

Non-Vented (recirculating) Installation Filters

The charcoal filter is not washable. It should last up to 6 months with normal use. Replace with Charcoal Filter Kit Number W10272068.

To replace charcoal filter:

1. Cover the grille that covers the blower motor with the charcoal filter so that the slots on the filter correspond to the pins on the sides of the motor grille.



A. Charcoal filter
B. Pins
C. Blower motor

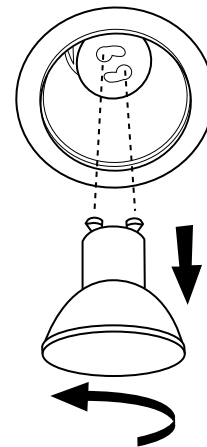
2. Turn the charcoal filter clockwise to lock it.
3. Repeat steps 1-2 on the other filter.

Replacing a Halogen Lamp

Turn off the range hood and allow the halogen lamp to cool. To avoid damage or decreasing the life of the new bulb, do not touch bulb with bare fingers. Replace bulb, using tissue or wearing cotton gloves to handle bulb.

If new lamps do not operate, make sure the lamps are inserted correctly before calling service.

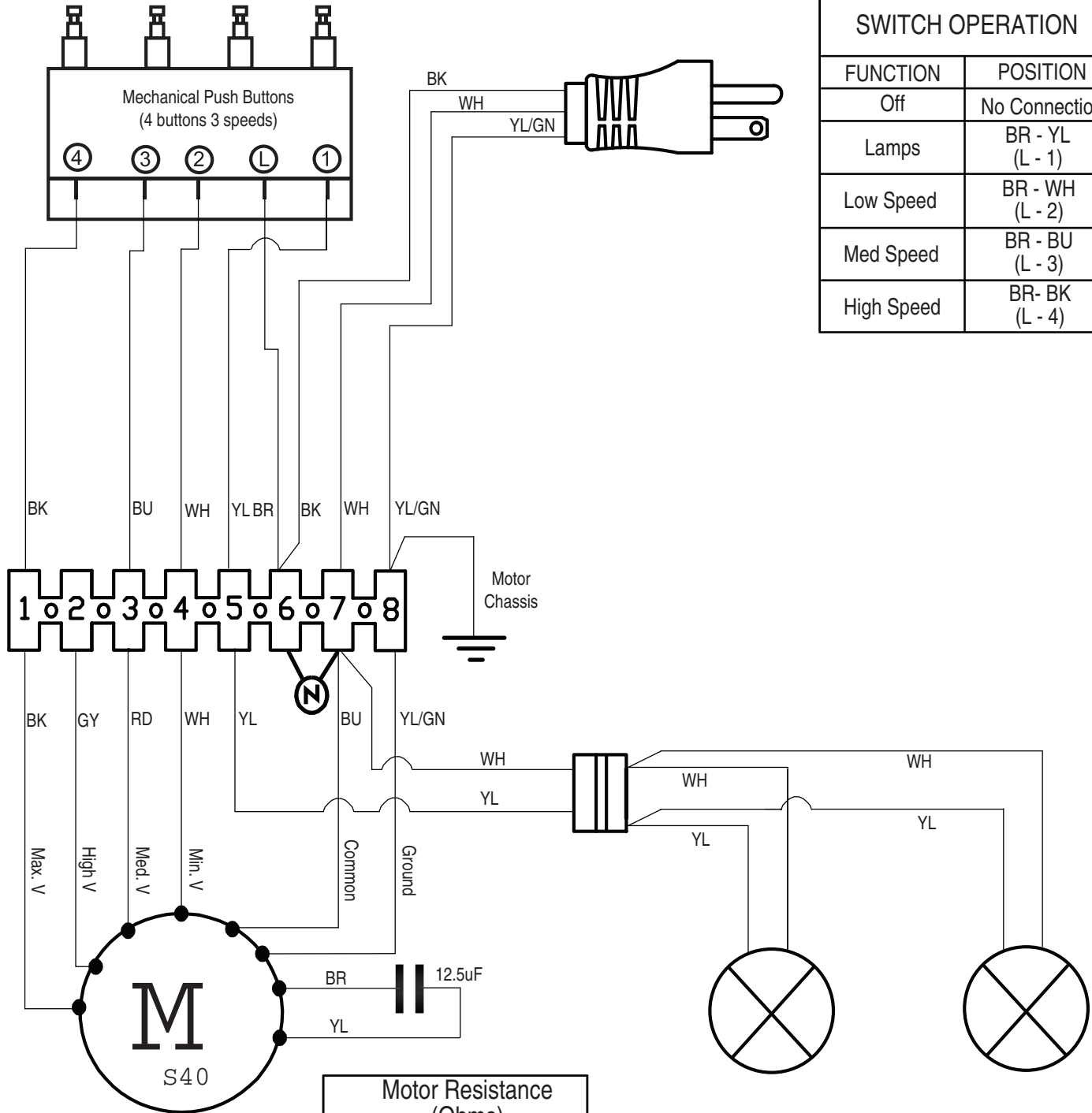
1. Disconnect power.
2. Push up on the lens and turn it counterclockwise.



3. Remove the bulb and replace it with a 120-volt, 50-watt maximum halogen bulb with a GU10 base. Turn it clockwise to lock it into place.
4. Repeat steps 2-3 for the other bulb if needed.
5. Reconnect power.

WIRING DIAGRAM

SWITCH OPERATION	
FUNCTION	POSITION
Off	No Connection
Lamps	BR - YL (L - 1)
Low Speed	BR - WH (L - 2)
Med Speed	BR - BU (L - 3)
High Speed	BR - BK (L - 4)



Motor Characteristics	
Power Supply	120 V
Frequency	60 Hz
Power Absorption	240 W

Motor Resistance (Ohms)	
BU/BK	28.8
BU/GY	30.3
BU/RD	37.7
BU/WH	45.1
Room Temp.	73.4°F (23°C)

SE13BC

ASSISTANCE OR SERVICE

Before calling for assistance or service, please check to see whether a circuit breaker has tripped or a household fuse has blown. It may save you the cost of a service call. If you still need help, follow the instructions below.

When calling, please know the purchase date and the complete model and serial number of your appliance. This information will help us to better respond to your request.

If you need replacement parts

If you need to order replacement parts, we recommend that you use only factory specified parts. Factory specified parts will fit right and work right because they are made with the same precision used to build every new IKEA® appliance.

To locate factory specified parts in your area, call us or your nearest designated service center.

In the U.S.A.

Call the Whirlpool Customer eXperience Center toll free: **1-866-664-2449**.

Our consultants provide assistance with:

- Features and specifications on our full line of appliances.
- Installation information.
- Use and maintenance procedures.
- Accessory and repair parts sales.
- Specialized customer assistance (Spanish speaking, hearing impaired, limited vision, etc.).
- Referrals to local dealers, repair parts distributors, and service companies. Whirlpool designated service technicians are trained to fulfill the product warranty and provide after-warranty service, anywhere in the United States.

To locate the Whirlpool designated service company in your area, you can also look in your telephone directory Yellow Pages.

For further assistance

If you need further assistance, you can write to Whirlpool Corporation with any questions or concerns at:

IKEA Brand Home Appliances
Customer eXperience Center
553 Benson Road
Benton Harbor, MI 49022-2692

Please include a daytime phone number in your correspondence.

In Canada

Call the Whirlpool Canada LP Customer eXperience Centre toll free: **1-866-664-2449**.

Our consultants provide assistance with:

- Features and specifications on our full line of appliances.
- Use and maintenance procedures.
- Accessory and repair parts sales.
- Referrals to local dealers, repair parts distributors, and service companies. Whirlpool Canada LP designated service technicians are trained to fulfill the product warranty and provide after-warranty service, anywhere in Canada.

For further assistance

If you need further assistance, you can write to Whirlpool Canada LP with any questions or concerns at:

Customer eXperience Centre
Whirlpool Canada LP
200 – 6750 Century Ave.
Mississauga, Ontario L5N 0B7

Please include a daytime phone number in your correspondence.

Accessories

Replacement Charcoal Filters

(for non-vented installations only)

Order Part Number W10272068

6" (15.2 cm) Makeup Air Kit

(consult local building codes)

Order Part Number W10446915

IKEA MAJOR APPLIANCE WARRANTY

How long is the IKEA limited warranty valid?

This limited warranty is valid for five years from the date of purchase, when this major appliance is operated and maintained according to instructions attached to or furnished with the product, unless the appliance is named LAGAN in which case this limited warranty is valid for one year from the date of purchase. This limited warranty is valid only in the United States or Canada and applies only when the major appliance is used in the country in which it was purchased. Proof of original purchase date is required to obtain service under this limited warranty.

Which appliances are not covered by the IKEA five (5) year limited warranty?

For major appliances named "LAGAN," this limited warranty is valid for one year from the date of purchase.

Who will execute the service?

This limited warranty is provided by Whirlpool Corporation or Whirlpool Canada LP (hereafter "Whirlpool"). Service must be provided by a Whirlpool designated service company.

What does this limited warranty cover?

The limited warranty will pay for factory specified parts and repair labor to correct defects in materials or workmanship that existed when the major appliance was purchased. The exceptions are specified under the headline "What is not covered under this limited warranty?".

What will be done to correct the problem?

The designated service company will examine the product and decide, at its sole discretion, if it is covered under this limited warranty. If considered covered, the designated service company will then repair the defect. Your sole and exclusive remedy under this limited warranty shall be product repair as provided herein.

What is not covered under this limited warranty?

- Service calls to correct the installation of your major appliance, to instruct you on how to use your major appliance, to replace or repair house fuses, or to correct house wiring or plumbing.
- Service calls to repair or replace appliance light bulbs, air filters or water filters. Consumable parts are excluded from warranty coverage.
- Replacement parts or repair labor if this major appliance is used for other than normal, single-family household use or when it is used in a manner that is inconsistent to published user or operator instructions and/or installation instructions.
- Damage resulting from accident, alteration, misuse, abuse, fire, flood, acts of God, improper installation, installation not in accordance with electrical or plumbing codes, or use of consumables or cleaning products not approved for use.
- Cosmetic damage, including scratches, dents, chips or other damage to the finish of your major appliance, unless such damage results from defects in materials or workmanship and is reported within 30 days from the date of purchase.
- Any food loss or medicine loss due to refrigerator or freezer product failures.
- Pick up and delivery. This major appliance is intended to be repaired in your home.
- Repairs to parts or systems resulting from unauthorized modifications made to the appliance.
- Expenses for travel and transportation for product service if your major appliance is located in a remote area where service by an authorized servicer is not available.
- The removal and reinstallation of your major appliance if it is installed in an inaccessible location or is not installed in accordance with published installation instructions.
- Replacement parts or repair labor on major appliances with original model/serial numbers that have been removed, altered or cannot be easily determined.

The cost of repair or replacement under these excluded circumstances shall be borne by the customer.

Disclaimer of Implied Warranties

IMPLIED WARRANTIES, INCLUDING ANY IMPLIED WARRANTY OF MERCHANTABILITY OR IMPLIED WARRANTY OF FITNESS FOR A PARTICULAR PURPOSE, ARE LIMITED TO FIVE YEARS (ONE YEAR FOR MAJOR APPLIANCES NAMED "LAGAN") OR THE SHORTEST PERIOD ALLOWED BY LAW. Some states and provinces do not allow limitations on the duration of implied warranties of merchantability or fitness, so this limitation may not apply to you. This warranty gives you specific legal rights, and you also may have other rights that vary from state to state or province to province.

Limitation of Remedies; Exclusion of Incidental and Consequential Damages

YOUR SOLE AND EXCLUSIVE REMEDY UNDER THIS LIMITED WARRANTY SHALL BE PRODUCT REPAIR AS PROVIDED HEREIN. WHIRLPOOL SHALL NOT BE LIABLE FOR INCIDENTAL OR CONSEQUENTIAL DAMAGES. Some states and provinces do not allow the exclusion or limitation of incidental or consequential damages, so these limitations and exclusions may not apply to you. This warranty gives you specific legal rights, and you also may have other rights that vary from state to state or province to province.

How to reach us if you need our service

If outside the 50 United States and Canada, contact your authorized IKEA retailer to determine if another warranty applies.

If you need service, please read the Installation Instructions and/or the "Troubleshooting" section of the Use & Care Guide before contacting us. If you need additional help, do not hesitate to contact us in the U.S.A. and Canada at **1-866-664-2449**.

2/09

Keep this book and your sales slip together for future reference. You must provide proof of purchase or installation date for in-warranty service.

Write down the following information about your major appliance to better help you obtain assistance or service if you ever need it. You will need to know your complete model number and serial number. You can find this information on the model and serial number label located on the product.

Dealer name _____
Address _____
Phone number _____
Model number _____
Serial number _____
Purchase date _____

W10722649A

© 2014.
All rights reserved.
Todos los derechos reservados.
Tous droits réservés.

® IKEA is a registered trademark of Inter-Ikea Systems B.V.
® IKEA es una marca registrada de Inter-Ikea Systems B.V.
® IKEA est une marque déposée de Inter-Ikea Systems B.V.

8/14
Printed in Mexico
Impreso en México
Imprimé au Mexique