

---

# MICROWAVE HOOD COMBINATION

## Use & Care Guide

For assistance or service, call: **1-800-807-6777**

or visit our brand website at  
[www.whirlpool.ca](http://www.whirlpool.ca)

---

# ENSEMBLE FOUR À MICRO-ONDES/HOTTE

## Guide d'utilisation et d'entretien

Pour assistance ou service composez le **1-800-807-6777**.

ou visitez notre site web à  
[www.whirlpool.ca](http://www.whirlpool.ca)

---

Table of Contents/Table des matières .....	2
--	---

**Model/Modèle YUMV4084**

**W10589883A**

## TABLE OF CONTENTS

<b>MICROWAVE HOOD COMBINATION SAFETY</b> .....	<b>3</b>
Electrical Requirements .....	5
<b>PARTS AND FEATURES</b> .....	<b>5</b>
Turntable .....	5
<b>MICROWAVE OVEN CONTROL</b> .....	<b>6</b>
Display .....	6
Start .....	6
Stop .....	6
Time Entry .....	6
Timer .....	6
Clock .....	6
Language/Weight Entry .....	6
Vent Fan .....	7
Cooktop Light .....	7
Tones .....	7
<b>MICROWAVE OVEN USE</b> .....	<b>7</b>
Food Characteristics .....	7
Cooking Guidelines .....	7
Cookware and Dinnerware .....	8
Aluminum Foil and Metal .....	8
Microwave Cooking Power .....	8
Jet Defrost .....	9
Manual Cooking .....	9
<b>MICROWAVE OVEN CARE</b> .....	<b>10</b>
General Cleaning .....	10
Replacing Grease Filter .....	11
Replacing Charcoal Filter (for recirculation installation only) .....	11
Replacing Cooktop Light .....	11
<b>TROUBLESHOOTING</b> .....	<b>12</b>
<b>ASSISTANCE OR SERVICE</b> .....	<b>13</b>
Replacement Parts .....	13
<b>WARRANTY</b> .....	<b>14</b>

## TABLE DES MATIÈRES

<b>SÉCURITÉ DE L'ENSEMBLE FOUR À MICRO-ONDES/HOTTE</b> .....	<b>16</b>
Spécifications électriques .....	18
<b>PIÈCES ET CARACTÉRISTIQUES</b> .....	<b>18</b>
Plateau rotatif .....	18
<b>COMMANDE DU FOUR À MICRO-ONDES</b> .....	<b>19</b>
Affichage .....	19
Mise en marche .....	19
Arrêt .....	19
Programmation de la durée .....	19
Minuterie .....	19
Horloge .....	19
Programmation de la langue/des unités de poids .....	20
Ventilateur .....	20
Éclairage de la table de cuisson .....	20
Signaux sonores .....	20
<b>UTILISATION DU FOUR À MICRO-ONDES</b> .....	<b>20</b>
Caractéristiques des aliments .....	20
Guide de cuisson .....	21
Ustensiles de cuisson et vaisselle .....	21
Papier d'aluminium et métal .....	21
Puissance de cuisson des micro-ondes .....	22
Décongélation express .....	22
Cuisson manuelle .....	22
<b>ENTRETIEN DU FOUR À MICRO-ONDES</b> .....	<b>23</b>
Nettoyage général .....	23
Remplacement du filtre à graisse .....	24
Remplacement du filtre à charbon (pour une installation avec recyclage uniquement) .....	24
Remplacement de la lampe de la table de cuisson .....	24
<b>DÉPANNAGE</b> .....	<b>25</b>
<b>ASSISTANCE OU SERVICE</b> .....	<b>26</b>
Pièces de rechange .....	26
<b>GARANTIE</b> .....	<b>27</b>

# MICROWAVE HOOD COMBINATION SAFETY

## Your safety and the safety of others are very important.

We have provided many important safety messages in this manual and on your appliance. Always read and obey all safety messages.



This is the safety alert symbol.

This symbol alerts you to potential hazards that can kill or hurt you and others.

All safety messages will follow the safety alert symbol and either the word "DANGER" or "WARNING."

These words mean:

**⚠ DANGER**

You can be killed or seriously injured if you don't immediately follow instructions.

**⚠ WARNING**

You can be killed or seriously injured if you don't follow instructions.

All safety messages will tell you what the potential hazard is, tell you how to reduce the chance of injury, and tell you what can happen if the instructions are not followed.

## IMPORTANT SAFETY INSTRUCTIONS

When using electrical appliances basic safety precautions should be followed, including the following:

**WARNING:** To reduce the risk of burns, electric shock, fire, injury to persons, or exposure to excessive microwave energy:

- Read all instructions before using the microwave oven.
- Read and follow the specific "PRECAUTIONS TO AVOID POSSIBLE EXPOSURE TO EXCESSIVE MICROWAVE ENERGY" found in this section.
- The microwave oven must be grounded. Connect only to properly grounded outlet. See "GROUNDING INSTRUCTIONS" found in this section and in the provided Installation Instructions.
- Install or locate the microwave oven only in accordance with the provided Installation Instructions.
- Some products such as whole eggs in the shell and sealed containers - for example, closed glass jars - are able to explode and should not be heated in the microwave oven.
- Use the microwave oven only for its intended use as described in the manual. Do not use corrosive chemicals or vapors in the microwave oven. This type of oven is specifically designed to heat, cook, or dry food. It is not designed for industrial or laboratory use.
- As with any appliance, close supervision is necessary when used by children.
- Do not operate the microwave oven if it has a damaged cord or plug, if it is not working properly, or if it has been damaged or dropped.
- The microwave oven should be serviced only by qualified service personnel. Call an authorized service company for examination, repair, or adjustment.
- Do not cover or block any openings on the microwave oven.
- Do not store this microwave oven outdoors. Do not use the microwave oven near water - for example, near a kitchen sink, in a wet basement, near a swimming pool, or similar locations.
- Do not immerse cord or plug in water.
- Keep cord away from heated surfaces.
- Do not let cord hang over edge of table or counter.
- See door surface cleaning instructions in the "Microwave Oven Care" section.
- To reduce the risk of fire in the oven cavity:
  - Do not overcook food. Carefully attend the microwave oven when paper, plastic, or other combustible materials are placed inside the oven to facilitate cooking.
  - Remove wire twist-ties from paper or plastic bags before placing bags in oven.
  - If materials inside the oven ignite, keep oven door closed, turn oven off, and disconnect the power cord, or shut off power at the fuse or circuit breaker panel.
  - Do not use the cavity for storage purposes. Do not leave paper products, cooking utensils, or food in the cavity when not in use.

**SAVE THESE INSTRUCTIONS**

## IMPORTANT SAFETY INSTRUCTIONS

- Liquids, such as water, coffee, or tea are able to be overheated beyond the boiling point without appearing to be boiling. Visible bubbling or boiling when the container is removed from the microwave oven is not always present. THIS COULD RESULT IN VERY HOT LIQUIDS SUDDENLY BOILING OVER WHEN THE CONTAINER IS DISTURBED OR A SPOON OR OTHER UTENSIL IS INSERTED INTO THE LIQUID.

To reduce the risk of injury to persons:

- Do not overheat the liquid.
- Stir the liquid both before and halfway through heating it.
- Do not use straight-sided containers with narrow necks.
- After heating, allow the container to stand in the microwave oven for a short time before removing the container.
- Use extreme care when inserting a spoon or other utensil into the container.

- Do not mount over a sink.
- Do not store anything directly on top of the microwave oven when the microwave oven is in operation.
- Clean Ventilating Hoods Frequently - Grease should not be allowed to accumulate on hood or filter.
- When flambéing foods under the hood, turn the fan on.
- Suitable for use above both gas and electric cooking equipment.
- Intended to be used above ranges with maximum width of 24" (61.0 cm).
- Use care when cleaning the vent-hood filter. Corrosive cleaning agents, such as lye-based oven cleaners, may damage the filter.

## SAVE THESE INSTRUCTIONS

## PRECAUTIONS TO AVOID POSSIBLE EXPOSURE TO EXCESSIVE MICROWAVE ENERGY

- (a) Do not attempt to operate this oven with the door open since open-door operation can result in harmful exposure to microwave energy. It is important not to defeat or tamper with the safety interlocks.
- (b) Do not place any object between the oven front face and the door or allow soil or cleaner residue to accumulate on sealing surfaces.
- (c) Do not operate the oven if it is damaged. It is particularly important that the oven door close properly and that there is no damage to the:
  - (1) Door (bent),
  - (2) Hinges and latches (broken or loosened),
  - (3) Door seals and sealing surfaces.
- (d) The oven should not be adjusted or repaired by anyone except properly qualified service personnel.

## Electrical Requirements

### **⚠ WARNING**



#### Electrical Shock Hazard

Plug into a grounded 3 prong outlet.

Do not remove ground prong.

Do not use an adapter.

Do not use an extension cord.

Failure to follow these instructions can result in death, fire, or electrical shock.

Observe all governing codes and ordinances.

#### Required:

- A 120 volt, 60 Hz, AC only, 15- or 20-amp electrical supply with a fuse or circuit breaker.

#### Recommended:

- A time-delay fuse or time-delay circuit breaker.
- A separate circuit serving only this microwave oven.

## GROUNDING INSTRUCTIONS

#### ■ For all cord connected appliances:

The microwave oven must be grounded. In the event of an electrical short circuit, grounding reduces the risk of electric shock by providing an escape wire for the electric current. The microwave oven is equipped with a cord having a grounding wire with a grounding plug. The plug must be plugged into an outlet that is properly installed and grounded.

**WARNING:** Improper use of the grounding plug can result in a risk of electric shock. Consult a qualified electrician or serviceman if the grounding instructions are not completely understood, or if doubt exists as to whether the microwave oven is properly grounded.

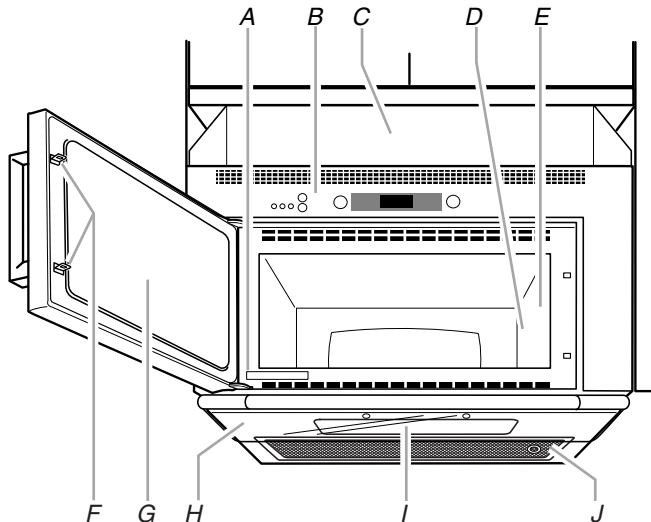
Do not use an extension cord. If the power supply cord is too short, have a qualified electrician or serviceman install an outlet near the microwave oven.

## SAVE THESE INSTRUCTIONS

This device complies with Part 18 of the FCC Rules.

## PARTS AND FEATURES

This manual may cover several different models. The model you have purchased may have some or all of the features shown here. The appearance of your particular model may differ slightly from the illustrations in this manual.

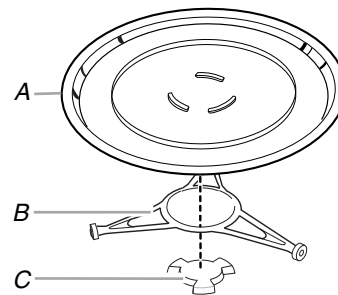


- A. Model and serial number plate
- B. Control panel
- C. Upper component housing
- D. Microwave inlet cover
- E. Microwave oven light
- F. Door lock system

- G. Window
- H. Visor
- I. Cooktop light
- J. Grease filter

**Parts and Features not shown**  
Turntable

### Turntable



- A. Turntable
- B. Support
- C. Hub

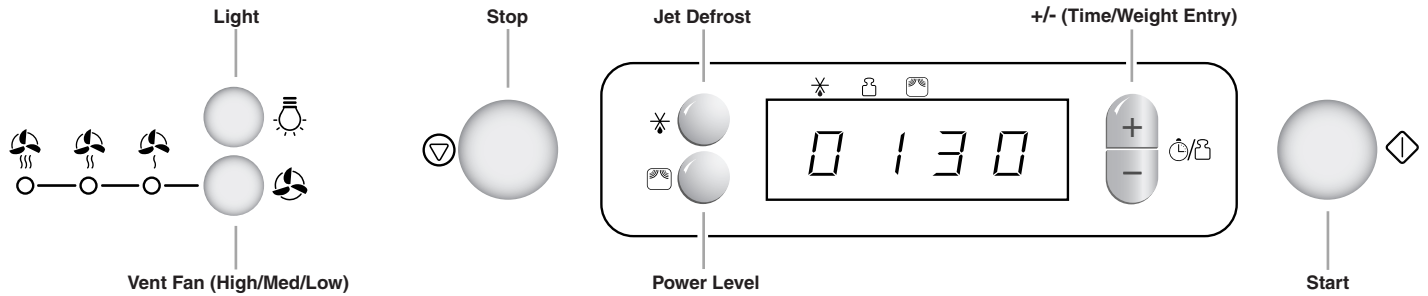
The turntable can rotate in either direction to help cook food more evenly. For best cooking results, do not operate the microwave oven without having the turntable in place. See "Assistance or Service" to reorder any of the parts.

#### To Install:

1. Place the support on the microwave oven cavity bottom.
2. Place the turntable on the support.

Fit the raised, curved lines in the center of the turntable bottom between the three spokes of the hub. The rollers on the support should fit inside the turntable bottom ridge.

# MICROWAVE OVEN CONTROL



## Display

When power is first supplied to the microwave oven, “:” will appear in the display. If the “:” appears in the display at any other time, the clock is not set, or there has been a power failure. Reset the clock if needed. See “Clock.”

When the microwave oven is in use, the display will show cook time remaining. When the microwave oven is not in use, the display will show the time of day (if the clock is set).

## Start

The Start control begins any function. If cooking is interrupted by opening the door, pressing the Start control will resume the cycle, within 10 minutes of interruption.

The Start control also automatically starts the microwave oven at full power (750W) for 30 seconds, and adds 30 seconds of cook time with each additional touch of the control.

Time may be added to any manual cooking cycle in 30-second increments, at the current power level, by pressing the Start control during cooking.

**NOTE:** To avoid unintentional operation of the microwave oven, a cooking function cannot be started if the microwave oven door has been closed for about 1 minute. The word “door” will appear in the display until the door is opened and closed.

## Stop

The Stop control clears any incorrect command, and cancels any program during cooking.

The microwave oven will also turn off when the door is opened. Close the door and press Start control to resume the cycle.

## Time Entry

The +/- control is used to enter time for setting the clock and for programming cooking cycles. The following represents the control press time increments.

Each Press Adds	Up to
5 seconds	1 minute
15 seconds	3 minutes
30 seconds	6 minutes
1 minute	30 minutes

**NOTE:** Press and hold +/- control to jump to 10 minutes.

## Timer

The microwave oven may be used as a kitchen timer by using zero power (0W).

### To Set:

1. Press +/- controls to set desired time. Each press adds or removes 5 seconds from the current time.
2. Press Power Level control repeatedly until 0W appears in the display.
3. Press Start control.

When the set time ends, a tone will sound.

The time can be reset during the countdown by pressing the +/- control repeatedly.

## Clock

This is a 12-hour clock.

**NOTE:** If there is a power failure, the clock will have to be reset.

### To Set:

The microwave oven must be off (in standby mode).

1. Press and hold Stop control for about 3 seconds, until the left-hand digits in the display blink.
2. Press the +/- controls to set the hour.
3. Press Start control. The right-hand digits will blink.
4. Press the +/- controls to set the minutes.
5. Press Start control to complete the setting.

### To Remove:

1. Press and hold Stop control for about 3 seconds, until the left-hand digits in the display blink.
2. Press Stop control. The time will disappear, and “:” will appear on the display.

## Language/Weight Entry

The microwave oven display’s language and weight entry mode may be changed using Customer Settings.

The default language is English, but may be changed to French. The default weight entry mode is grams, but may be changed to ounces.

**NOTE:** If there is a power failure, the language and weight entry mode will return to the default settings.

### To Change Settings:

1. Press and hold Jet Defrost control for about 3 seconds, until “Cset” appears in the display.
2. Press the +/- control to select language, then press Start control.
3. Press the +/- control to select weight entry mode, then press Start control to complete the setting. Depending on the language setting, “Done” or “Fini” will appear in the display.

---

## Vent Fan

The vent (exhaust) fan has 3 speeds: high, medium and low. The fan speed indicator lights show the current fan speed. If left on, the fan will automatically shut off after 4 hours.

### Override Mode

To keep the microwave oven from overheating, the vent fan will automatically turn on at high speed if the temperature from the range or cooktop below the microwave oven gets too hot. It may stay on for several minutes to cool the microwave oven. When this occurs, the vent fan cannot be turned off and the fan speed cannot be changed until the temperature drops below a certain level.

**NOTE:** While the fan is in override mode, the fan speed indicator lights will not necessarily reflect the actual speed (high).

**To Turn Vent Fan On/Off:** Press Vent Fan control repeatedly to scroll through the speeds or to turn off.

---

## Cooktop Light

**To Turn Light On/Off:** Press Light control repeatedly to toggle on and off.

---

## Tones

Tones are audible signals that cannot be turned off, and they indicate the following:

### Two tones

- Reminder, repeat every 30 seconds

### Three tones

- End of cycle
- 

# MICROWAVE OVEN USE

A magnetron in the microwave oven produces microwaves which reflect off the metal floor, walls and ceiling and pass through the turntable and appropriate cookware to the food. Microwaves are attracted to and absorbed by fat, sugar and water molecules in the food, causing them to move, producing friction and heat which cooks the food.

- To avoid damage to the microwave oven, do not lean on or allow children to swing on the microwave oven door.
  - To avoid damage to the microwave oven, do not operate microwave oven when it is empty.
  - Baby bottles and baby food jars should not be heated in microwave oven.
  - Clothes, flowers, fruit, herbs, wood, gourds, paper, including brown paper bags and newspaper, should not be dried in microwave oven.
  - Paraffin wax will not melt in the microwave oven because it does not absorb microwaves.
  - Use oven mitts or pot holders when removing containers from microwave oven.
  - Do not overcook potatoes. At the end of the recommended cook time, potatoes should be slightly firm. Let potatoes stand for 5 minutes. They will finish cooking while standing.
  - Do not cook or reheat whole eggs inside the shell. Steam buildup in whole eggs may cause them to burst, requiring significant cleanup of microwave oven cavity. Cover poached eggs and allow a standing time.
- 

## Food Characteristics

When microwave cooking, the amount, size and shape, starting temperature, composition and density of the food affect cooking results.

### Amount of Food

The more food heated at once, the longer the cook time needed. Check for doneness and add small increments of time if necessary.

### Size and Shape

Smaller pieces of food will cook more quickly than larger pieces, and uniformly shaped foods cook more evenly than irregularly shaped food.

### Starting Temperature

Room temperature foods will heat faster than refrigerated foods, and refrigerated foods will heat faster than frozen foods.

### Composition and Density

Foods high in fat and sugar will reach a higher temperature, and will heat faster than other foods. Heavy, dense foods, such as meat and potatoes, require a longer cook time than the same size of a light, porous food, such as cake.

---

## Cooking Guidelines

### Covering

Covering food helps retain moisture, shorten cook time and reduce spattering. Use the lid supplied with cookware. If a lid is not available, wax paper, paper towels or plastic wrap approved for microwave ovens may be used. Plastic wrap should be turned back at one corner to provide an opening to vent steam. Condensation on the door and cavity surfaces is normal during heavy cooking.

### Stirring and Turning

Stirring and turning redistribute heat evenly to avoid overcooking the outer edges of food. Stir from outside to center. If possible, turn food over from bottom to top.

### Arranging

If heating irregularly shaped or different sized foods, arrange the thinner parts and smaller sized items toward the center. If cooking several items of the same size and shape, place them in a ring pattern, leaving the center of the ring empty.

### Piercing

Before heating, use a fork or small knife to pierce or prick foods that have a skin or membrane, such as potatoes, egg yolks, chicken livers, hot dogs, and sausage. Prick in several places to allow steam to vent.

## Shielding

Use small, flat pieces of aluminum foil to shield the thin pieces of irregularly shaped foods, bones and foods such as chicken wings, leg tips and fish tail. See "Aluminum Foil and Metal" first.

## Standing Time

Food will continue to cook by the natural conduction of heat even after the microwave cooking cycle ends. The length of standing time depends on the volume and density of the food.

## Cookware and Dinnerware

Cookware and dinnerware must fit on the turntable. Always use oven mitts or pot holders when handling because any dish may become hot from heat transferred from the food. Do not use cookware and dinnerware with gold or silver trim. Use the following chart as a guide, then test before using.

MATERIAL	RECOMMENDATIONS
Aluminum Foil, Metal	See "Aluminum Foil and Metal" section.
Browning Dish	Bottom must be at least 3/16" (5 mm) above the turntable. Follow manufacturer's recommendations.
Ceramic Glass, Glass	Acceptable for use.
China, Earthenware	Follow manufacturer's recommendations.
Melamine	Follow manufacturer's recommendations.
Paper: Towels, Dinnerware, Napkins	Use nonrecycled and those approved by the manufacturer for microwave oven use.
Plastic: Wraps, Bags, Covers, Dinnerware, Containers	Use those approved by the manufacturer for microwave oven use.
Pottery and Clay	Follow manufacturer's recommendations.
Silicone Bakeware	Follow manufacturer's recommendations.
Straw, Wicker, Wooden Containers	Do not use in microwave oven.
Wax Paper	Acceptable for use.

### To Test Cookware or Dinnerware for Microwave Use:

1. Place 1 cup (250 mL) of water next to cookware or dinnerware in microwave oven.
2. Cook at 100% cooking power for 1 minute.

Do not use cookware or dinnerware if it becomes hot and the water stays cool.

## Aluminum Foil and Metal

Always use oven mitts or pot holders when removing dishes from the microwave oven.

Aluminum foil and some metal can be used in the microwave oven. If not used properly, arcing (a blue flash of light) can occur and cause damage to the microwave oven.

## OK for Use

Racks and bakeware supplied with the microwave oven (on some models), aluminum foil for shielding, and approved meat thermometers may be used with the following guidelines:

- To avoid damage to the microwave oven, do not allow aluminum foil or metal to touch the inside cavity walls, ceiling or floor.
- Always use the turntable.
- To avoid damage to the microwave oven, do not allow contact with another metal object during microwave cooking.

## Do Not Use

Metal cookware and bakeware, gold, silver, pewter, non-approved meat thermometers, skewers, twist ties, foil liners such as sandwich wrappers, staples and objects with gold or silver trim or a metallic glaze should not be used in the microwave oven.

## Microwave Cooking Power

Many recipes for microwave cooking specify which cooking power to use by percent or name. For example, 500W=Medium-High.

To see the exact power level during a cooking cycle, press Power Level control. The display will briefly show the current power level, then will return to the cooking countdown.

Use the following chart as a general guide for the suggested cooking power of specific foods.

WATTAGE/NAME	USE
750W, High (default setting)	Quick heating convenience foods and foods with high water content, such as soups, beverages and most vegetables. Cooking small, tender pieces of meat, ground meat, poultry pieces and fish fillets.
500W, Medium-High	Heating rice, pasta or stirrable casseroles. Heating cream soups. Cooking and heating foods that need a cook power lower than high. For example, whole fish and meat loaf. Reheating a single serving of food. Cooking sensitive foods such as cheese and egg dishes, pudding and custards. Cooking non-stirrable casseroles, such as lasagna.
350W, Medium	Cooking ham, whole poultry and pot roasts. Simmering stews. Melting chocolate, butter. Heating bread, rolls and pastries.
160W, Medium-Low, Defrost	Defrosting bread, fish, meats, poultry and precooked foods. Softening butter, cheese, and ice cream. Taking chill out of fruit.
0W, No power	For kitchen timer use only; magnetron does not turn on.



---

## Jet Defrost

The Jet Defrost feature can be used or the microwave oven can be manually set to defrost.

- Unwrap foods and remove lids (for example, from fruit juice containers) before defrosting.
- Shallow packages will defrost more quickly than deep blocks.
- Separate food pieces as soon as possible during or at the end of cycle for more even defrosting.
- Use small pieces of aluminum foil to shield parts of food such as chicken wings, leg tips and fish tails. See “Aluminum Foil and Metal” first.

The Jet Defrost feature is for meat, poultry and fish only, between 4 and 70 oz (100 and 2000 g). It should not be used for food left outside the freezer more than 20 minutes and frozen ready-made food. Use the following chart as a guide.

---

### MEAT

<i>Beef:</i> ground, steaks, roast, stew	The narrow or fatty areas of irregular shaped cuts should be shielded with foil before defrosting.
<i>Lamb:</i> stew and chops	
<i>Pork:</i> chops, ribs, roasts, sausage	Do not defrost less than 1/4 lb (113 g) or two 4 oz (113 g) patties. Place all meats in microwave-safe baking dish.

---

### POULTRY

<i>Chicken:</i> whole and cut up	Place in microwave-safe baking dish, chicken breast side up.
<i>Cornish hens</i>	
<i>Turkey:</i> breast	

---

### FISH

<i>Fillets, Steaks, Whole, Shellfish</i>	Place in microwave-safe baking dish.
--	--------------------------------------

---

#### To Use Jet Defrost:

1. Unwrap food, place on the turntable, and close the door.
2. Press Jet Defrost control.
3. Press +/- controls repeatedly to enter the weight in ounces or grams, depending on the weight entry setting. See “Language/Weight Entry” section.

Weight can be set from 4 to 70 oz (100 to 2000 g).

4. Press Start control.

The display will count down the defrost time.

About midway through defrosting, the cycle will pause, and you will be prompted to turn the food. Open the door and stir or turn food. Close door, and press Start control to resume. If you do not wish to turn the food, the cycle will resume automatically after 2 minutes.

When the cycle ends, “End” will appear in the display.

5. Press Stop control or open the door to clear the display.

**To Defrost Manually:** Follow directions in “Manual Cooking” section, and use 160W cooking power. See “Microwave Cooking Power” chart.

---

## Manual Cooking

#### To Use:

1. Place food on the turntable and close the door.
2. Press +/- control repeatedly to set the time. See “Time Entry” section for time entry increments.  
If cooking with high power (750W), skip Step 3.
3. Press Power Level control repeatedly to select the desired power level. See “Microwave Cooking Power” chart.
4. Press Start control.

The display will count down the cook time.

When the cycle ends, “End” will appear in the display.

5. Press Stop control or open the door to clear the display.

The cook time and power may be changed after pressing Start control without interrupting cooking.

**To Change Cook Time:** Press Start control to add time in 30-second increments, or press the +/- controls to add or remove time in 5-second increments.

**To Change Cook Power:** Press Power Level control repeatedly to toggle through the power levels, resting on the desired new level.

**NOTE:** For best cooking results, use only small “snack size” commercially packaged microwave popcorn bags, due to the compact cavity size.

---

# MICROWAVE OVEN CARE

---

## General Cleaning

**IMPORTANT:** Before cleaning, make sure all controls are off and the microwave oven is cool. Always follow label instructions on cleaning products.

Soap, water and a soft cloth or sponge are suggested unless otherwise noted.

---

### GREASE FILTER

---

Do not use ammonia or corrosive cleaning agents such as lye-based oven cleaners.

- Hot water and mild detergent:

Soak filters, then scrub and swish to remove embedded dirt and grease. Rinse well and shake to dry.

- Dishwasher:

Wash separately, not with dirty dishes, because food can be trapped in the filters.

**NOTE:** Some discoloration of the filters may occur after cleaning them in the dishwasher. This is normal, and will not affect the performance of the grease filters.

---

### MICROWAVE OVEN CAVITY

---

To avoid damage to the microwave oven cavity, do not use soap-filled scouring pads, abrasive cleaners, steel-wool pads, gritty washcloths or some recycled paper towels.

To avoid damage to stainless steel models, rub in direction of grain.

The area where the microwave oven door and frame touch when closed should be kept clean.

#### Average soil

- Mild, nonabrasive soaps and detergents:

Rinse with clean water and dry with soft, lint-free cloth.

#### Heavy soil

- Mild, nonabrasive soaps and detergents:

Heat 1 cup (250 mL) of water for 2 to 5 minutes in microwave oven. Steam will soften soil. Rinse with clean water and dry with soft, lint-free cloth.

#### Odors

- Lemon juice or vinegar:

Heat 1 cup (250 mL) of water with 1 tbs (15 mL) of either lemon juice or vinegar for 2 to 5 minutes in microwave oven.

#### Microwave Inlet Cover

To avoid arcing and microwave oven damage, the microwave inlet cover (see "Parts and Features") should be kept clean.

- Wipe with wet cloth.

---

### MICROWAVE OVEN DOOR AND EXTERIOR

---

The area where the microwave oven door and frame touch when closed should be kept clean.

- Mild, nonabrasive soaps and detergents:

Rinse with clean water and dry with soft, lint-free cloth.

- Glass cleaner and paper towels or nonabrasive plastic scrubbing pad:

Apply glass cleaner to towel, not directly to surface.

#### Stainless Steel (on some models)

To avoid damage to microwave oven door and exterior, do not use soap-filled scouring pads, abrasive cleaners, steel-wool pads, gritty washcloths or some paper towels. Rub in direction of grain.

- Stainless Steel Cleaner and Polish (not included):

See "Assistance or Service" section to order.

- Liquid detergent or all-purpose cleaner:

Rinse with clean water and dry with soft, lint-free cloth.

- Vinegar for hard water spots

---

### CONTROL PANEL

---

- Sponge or soft cloth and water:

Dampen sponge with water and wipe panel. Dry with soft cloth.

- To avoid damage to the control panel, do not use chemical or abrasive cleansers.

---

### TURNTABLE

---

Replace turntable immediately after cleaning. Do not operate the microwave oven without the turntable in place.

- Mild cleanser and scouring pad

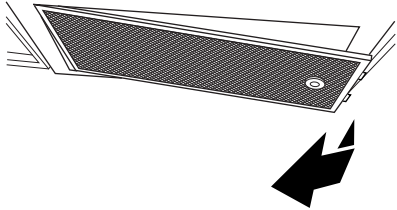
- Dishwasher

## Replacing Grease Filter

The grease filter should be removed and cleaned at least once a month. Do not operate the microwave oven or vent fan without the grease filter in place. See "Assistance or Service" for information on reordering filters.

### To Remove and Replace Grease Filter:

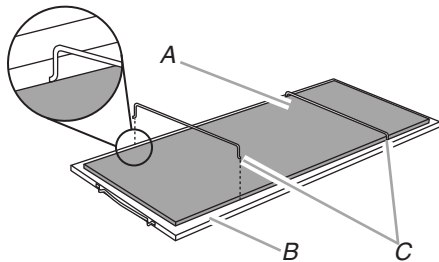
1. Remove the grease filter by pushing the filter to the left side of the microwave oven until the right end of the filter drops down, then pull out the filter.



2. Replace grease filter by inserting one end of the filter into the left rim of the frame. Swing the right end of the filter up and slide it into position.

## Replacing Charcoal Filter (for recirculation installation only)

The charcoal filter (not provided) should be used if venting is set to recirculation. See "Accessories" in "Replacement Parts" section for information on ordering.



A. Charcoal filter  
B. Grease filter  
C. Wire rods (2)

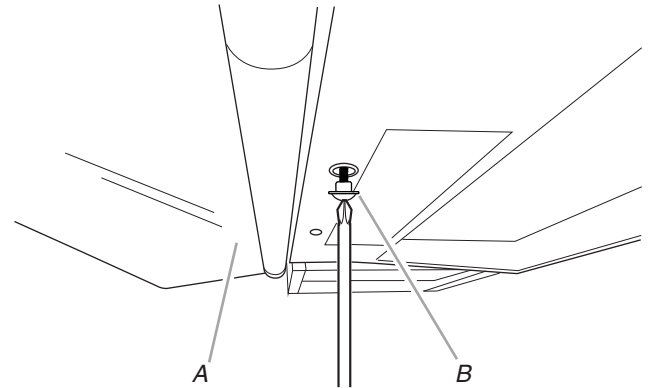
1. Remove grease filter. See Step 1 of "Replacing Grease Filter."
2. Remove wire rods holding charcoal filter in place, then remove old charcoal filter.
3. Cover the inside of the grease filter with the new charcoal filter.
4. Insert wire rods to hold the charcoal filter in place.
5. Reinstall grease filter. See Step 2 of "Replacing Grease Filter."

## Replacing Cooktop Light

The cooktop light is a 25W halogen bulb. See "Assistance or Service" section to reorder.

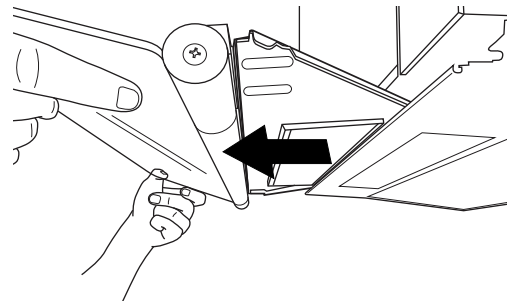
### To Replace:

1. Unplug microwave oven or disconnect power.
2. Remove visor mounting screws.



A. Visor  
B. Mounting screws (2)

3. Pull out visor.



4. Replace light.
5. Reinsert visor. Replace mounting screws.
6. Plug in microwave oven or reconnect power.

---

# TROUBLESHOOTING

Try the solutions suggested here first in order to avoid the cost of an unnecessary service call.

---

## Nothing will operate

---

- **Has a household fuse blown, or has a circuit breaker tripped?**  
Replace the fuse or reset the circuit breaker. If the problem continues, call an electrician.
- **Is the microwave oven wired properly?**  
See Installation Instructions provided with your microwave oven.

---

## Microwave oven will not operate

---

- **Is the magnetron working properly?**  
Try to heat 1 cup (250 mL) of cold water for 2 minutes at 100% cooking power. If water does not heat, try the steps below. If microwave oven still does not operate, call for service. See “Assistance or Service” section.
- **Is the door completely closed?**  
Firmly close door.
- **Does a message about the door appear in the display?**  
The door has been closed for 5 minutes or more. Open and close the door, then press Start control to start the cooking cycle. See “Start” section.
- **Is a packaging spacer (on some models) attached to the inside of the door?**  
Remove packaging spacer, then firmly close door.
- **Is the electronic microwave oven control set correctly?**  
See “Microwave Oven Control” section.

---

## Microwave oven makes humming noise

---

- This is normal and occurs when the power supply switches the magnetron on and off.

---

## Microwave oven door looks wavy

---

- This is normal and will not affect performance.

---

## Turntable will not operate

---

- **Has the tape been removed from turntable hub?**  
See “Turntable” section.
- **Is the turntable properly in place?**  
Make sure turntable is correct side up and is sitting securely on the turntable support.
- **Is the turntable support operating properly?**  
Remove turntable. Remove and clean turntable support and rollers. Replace turntable support. Replace turntable. Place 1 cup (250 mL) of water on the turntable, then restart microwave oven. If it still is not working, call for service. See “Assistance or Service” section. Do not operate the microwave oven without turntable and turntable support working properly.

---

## Turntable alternates rotation directions

---

- This is normal and depends on motor rotation at the beginning of the cycle.

---

## Display shows messages

---

- **Is the display showing “:”?**  
There has been a power failure, or the clock time has been turned off. See “Display” section to clear display. See “Clock” section to reset the clock or to turn it on.
- **Is the display showing a letter followed by a number?**  
Clear the display. If it reappears, call for service. See “Assistance or Service” section.

---

## Display shows time countdown, but is not operating

---

- **Is the Timer in use?**  
See “Timer” section.

---

## Fan running slower than usual

---

- **Has the microwave oven been stored in a cold area?**  
The fan will run slower until the microwave oven warms up to normal room temperature.

---

## Fan running during microwave cooking

---

- This is normal. The fan comes on to cool the microwave oven, and may stay on for up to 5 minutes after cooking has ended. See “Vent Fan” section.

---

## Cooking times seem too long

---

- **Is the cooking power set properly?**  
See “Microwave Cooking Power” section.
- **Are large amounts of food being heated?**  
Larger amounts of food need longer cooking times.
- **Is the incoming voltage less than that specified in “Microwave Hood Combination Safety?”**  
Have a qualified electrician check the electrical system in the home.

---

## Radio, TV or cordless phone interference

---

- **Is the radio or TV receiver near the microwave oven?**  
Move the receiver away from the microwave oven, or adjust the radio or TV antenna.
- **Are the microwave oven door and sealing surfaces clean?**  
Make sure these areas are clean.
- **Is the cordless phone frequency 2.4 GHz?**  
Some 2.4 GHz-based cordless phones and home wireless networks may experience static or noise while the microwave oven is on. Use a corded phone, a different frequency cordless phone or avoid using these items during microwave oven operation.

---

# ASSISTANCE OR SERVICE

---

Before calling for assistance or service, please check "Troubleshooting." It may save you the cost of a service call. If you still need help, follow the instructions below.

When calling, please know the purchase date and the complete model and serial number of your appliance. This information will help us to better respond to your request.

## If you need replacement parts

If you need to order replacement parts, we recommend that you use only factory specified parts. Factory specified parts will fit right and work right because they are made with the same precision used to build every new appliance.

To locate factory specified parts in your area, call us or your nearest designated service center.

Call our Customer eXperience Centre toll free: **1-800-807-6777**.

## Our consultants provide assistance with:

- Features and specifications on our full line of appliances.
- Use and maintenance procedures.
- Accessory and repair parts sales.
- Referrals to local dealers, repair parts distributors, and service companies. Designated service technicians are trained to fulfill the product warranty and provide after-warranty service, anywhere in Canada.

## For further assistance

If you need further assistance, you can write with any questions or concerns at:

Customer eXperience Centre  
200 - 6750 Century Ave.  
Mississauga, Ontario L5N 0B7

Please include a daytime phone number in your correspondence.

---

## Replacement Parts

Glass Turntable Part Number W10618210	Visor Part Number W10618218
Turntable Support and Rollers Part Number W10618211	25W Halogen Bulb Part Number W10618217
Turntable Hub Part Number W10618212	Grease Filter Part Number W10618216

## Accessories

Charcoal Filter Kit may be ordered and installed if microwave oven is set for recirculation venting. The kit comes with one charcoal filter and two wire rods. It attaches to the grease filter.  
Part Number W10610033

Stainless Steel Panel Kit may be ordered and installed above the front face of the microwave oven to cover the upper component housing. The kit comes with one stainless steel panel and three mounting screws.  
Part Number W10615478

## Cleaning Supplies

affresh® Kitchen Appliance Cleaner Part Number W10355010B	affresh® Stainless Steel Wipes Part Number W10355049B
affresh® Stainless Steel Cleaner Part Number W10355016B	Heavy Duty Degreaser Part Number 31552A

---

# WHIRLPOOL CORPORATION MAJOR APPLIANCE WARRANTY

---

## ONE YEAR LIMITED WARRANTY

For one year from the date of purchase, when this major appliance is installed, operated and maintained according to instructions attached to or furnished with the product, Whirlpool Corporation or Whirlpool Canada LP (hereafter "Whirlpool") will pay for Factory Specified Parts and repair labor to correct defects in materials or workmanship that existed when this major appliance was purchased or at its sole discretion replace the product. If replaced, the product will be covered by the remaining one-year limited warranty of the original unit.

YOUR SOLE AND EXCLUSIVE REMEDY UNDER THIS LIMITED WARRANTY SHALL BE PRODUCT REPAIR AS PROVIDED HEREIN. Service must be provided by a Whirlpool designated service company. This limited warranty is valid only in the United States or Canada and applies only when the major appliance is used in the country in which it was purchased. Outside the 50 United States and Canada, this limited warranty does not apply. This limited warranty is effective from the date of original consumer purchase. Proof of original purchase date is required to obtain service under this limited warranty.

---

## ITEMS EXCLUDED FROM WARRANTY

### This limited warranty does not cover:

1. Service calls to correct the installation of your major appliance, to instruct you on how to use your major appliance, to replace or repair house fuses, or to correct house wiring or plumbing.
2. Service calls to repair or replace appliance light bulbs, air filters or water filters. Consumable parts are excluded from warranty coverage.
3. Repairs when your major appliance is used for other than normal, single-family household use or when it is used in a manner that is contrary to published user or operator instructions and/or installation instructions.
4. Damage resulting from accident, alteration, misuse, abuse, fire, flood, acts of God, improper installation, installation not in accordance with electrical or plumbing codes, or use of consumables or cleaning products not approved by Whirlpool.
5. Cosmetic damage, including scratches, dents, chips or other damage to the finish of your major appliance, unless such damage results from defects in materials or workmanship and is reported to Whirlpool within 30 days from the date of purchase.
6. Any food loss due to refrigerator or freezer product failures.
7. Costs associated with the removal from your home of your major appliance for repairs. This major appliance is designed to be repaired in the home and only in-home service is covered by this warranty.
8. Repairs to parts or systems resulting from unauthorized modifications made to the appliance.
9. Expenses for travel and transportation for product service if your major appliance is located in a remote area where service by an authorized Whirlpool servicer is not available.
10. The removal and reinstallation of your major appliance if it is installed in an inaccessible location or is not installed in accordance with published installation instructions.
11. Major appliances with original model/serial numbers that have been removed, altered or cannot be easily determined. This warranty is void if the factory applied serial number has been altered or removed from your major appliance.
12. Removal or replacement of trim, decorative panels, flooring, cabinetry, islands, countertops, drywall or other built-in fixtures that interfere with servicing, removal or replacement of the product.

**The cost of repair or replacement under these excluded circumstances shall be borne by the customer.**

---

## DISCLAIMER OF IMPLIED WARRANTIES

IMPLIED WARRANTIES, INCLUDING ANY IMPLIED WARRANTY OF MERCHANTABILITY OR IMPLIED WARRANTY OF FITNESS FOR A PARTICULAR PURPOSE, ARE LIMITED TO ONE YEAR OR THE SHORTEST PERIOD ALLOWED BY LAW. Some states and provinces do not allow limitations on the duration of implied warranties of merchantability or fitness, so this limitation may not apply to you. This warranty gives you specific legal rights, and you also may have other rights that vary from state to state or province to province.

---

## DISCLAIMER OF REPRESENTATIONS OUTSIDE OF WARRANTY

Whirlpool makes no representations about the quality, durability, or need for service or repair of this major appliance other than the representations contained in this warranty. If you want a longer or more comprehensive warranty than the limited warranty that comes with this major appliance, you should ask Whirlpool or your retailer about buying an extended warranty.

---

## LIMITATION OF REMEDIES; EXCLUSION OF INCIDENTAL AND CONSEQUENTIAL DAMAGES

YOUR SOLE AND EXCLUSIVE REMEDY UNDER THIS LIMITED WARRANTY SHALL BE PRODUCT REPAIR AS PROVIDED HEREIN. WHIRLPOOL SHALL NOT BE LIABLE FOR INCIDENTAL OR CONSEQUENTIAL DAMAGES. Some states and provinces do not allow the exclusion or limitation of incidental or consequential damages, so these limitations and exclusions may not apply to you. This warranty gives you specific legal rights, and you also may have other rights that vary from state to state or province to province.

---

If outside the 50 United States and Canada, contact your authorized Whirlpool dealer to determine if another warranty applies.

If you need service, first see the "Troubleshooting" section of the Use & Care Guide. After checking "Troubleshooting," you may find additional help by checking the "Assistance or Service" section or by calling Whirlpool. In the U.S.A., call **1-800-253-1301**. In Canada, call **1-800-807-6777**.

6/13

---

**Keep this book and your sales slip together for future reference. You must provide proof of purchase or installation date for in-warranty service.**

Write down the following information about your major appliance to better help you obtain assistance or service if you ever need it. You will need to know your complete model number and serial number. You can find this information on the model and serial number label located on the product.

**Dealer name** \_\_\_\_\_

**Address** \_\_\_\_\_

**Phone number** \_\_\_\_\_

**Model number** \_\_\_\_\_

**Serial number** \_\_\_\_\_

**Purchase date** \_\_\_\_\_