

# INSTALLATION INSTRUCTIONS 24" (61.0 CM) OR 30" (76.2 CM) BUILT-IN MICROWAVE OVEN

This product is suitable for use above electric or gas built-in ovens, and below non-vented electric or gas cooktops. This product is not suitable for use below downdraft cooktops.

These installation instructions cover different models. The appearance of your particular model may differ slightly from the illustrations in these Installation Instructions.

## INSTRUCTIONS D'INSTALLATION DU FOUR À MICRO-ONDES ENCASTRÉ ET ENCASTRÉS 24" (61,0 CM) OU 30" (76,2 CM)

Ce produit convient à une utilisation au-dessus de fours encastrés électriques ou à gaz, et au-dessous de tables de cuisson électriques ou à gaz sans décharge à l'extérieur. Ce produit ne convient pas à une utilisation au-dessous de tables de cuisson avec extraction par le bas.

Ces instructions d'installation sont valables pour plusieurs modèles. Il se peut que l'apparence de votre propre modèle soit légèrement différente de celle illustrée dans ces Instructions d'installation.

## INSTRUCCIONES DE INSTALACIÓN DE LA COMBINACIÓN DE HORNO/MICROONDAS EMPOTRADO ELÉCTRICO DE 24" (61,0 CM) Y 30" (76,2 CM)

Este producto puede usarse encima de hornos empotrados eléctricos o a gas y debajo de las superficies de cocción eléctricas o a gas sin ventilación. Este producto no puede usarse debajo de superficies de cocción de tiro descendente.

Estas instrucciones de instalación abarcan modelos diferentes. La apariencia de su modelo en particular puede ser ligeramente diferente de las imágenes en estas instrucciones de instalación.

### Table of Contents/Table des matières/Índice

<b>BUILT-IN MICROWAVE OVEN SAFETY ..2</b>	<b>SÉCURITÉ DU FOUR À MICRO-ONDES</b>	<b>SEGURIDAD DEL HORNO DE</b>
<b>INSTALLATION REQUIREMENTS.....3</b>	<b>ENCASTRÉ.....10</b>	<b>MICROONDAS INTEGRADO.....17</b>
Tools and Parts.....3	<b>EXIGENCES D'INSTALLATION .....10</b>	<b>REQUISITOS DE INSTALACIÓN .....18</b>
Location Requirements.....3	Outils et composants .....10	Herramientas y piezas.....18
Minimum Dimensions.....4	Exigences d'emplacement.....11	Requisitos de ubicación.....18
Product Dimensions.....5	Dimensions minimales .....11	Dimensiones mínimas .....19
Electrical Requirements .....6	Dimensions du produit.....12	Medidas del producto .....20
<b>INSTALLATION INSTRUCTIONS.....6</b>	Spécifications électriques .....12	Requisitos eléctricos .....21
Install Spacer Strips .....6	<b>INSTRUCTIONS D'INSTALLATION .....13</b>	<b>INSTRUCCIONES DE INSTALACIÓN ...21</b>
Install the Microwave Oven (24" [61.0 cm] Installation Only).....6	Installation des bandes d'espacement .....13	Instalación de las tiras espaciadoras...21
Install the Microwave Oven (30" [76.2 cm] Installation Only) .....8	Installation du four à micro-ondes (instal- lation de 24" [61 cm] uniquement) .....13	Instale el horno microondas (24" 61,0 cm] solo instalación).....22
Complete Installation .....9	Installation du four à micro-ondes (Installation de 30" [76,2 cm] uniquement).....15	Instale el horno microondas [30" (76,2 cm] solo instalación).....23
<b>ASSISTANCE .....9</b>	Achever l'installation .....16	Completar la instalación .....24
	<b>ASSISTANCE .....16</b>	<b>AYUDA.....24</b>

#### IMPORTANT:

Save for local electrical inspector's use.

#### IMPORTANT :

Conserver ces instructions à l'usage de l'inspecteur des installations électriques local.

#### IMPORTANTE:

Guarde para tener a disposición del inspector de electricidad local.

W10909666A

# BUILT-IN MICROWAVE OVEN SAFETY

## Your safety and the safety of others are very important.

We have provided many important safety messages in this manual and on your appliance. Always read and obey all safety messages.



This is the safety alert symbol.

This symbol alerts you to potential hazards that can kill or hurt you and others.

All safety messages will follow the safety alert symbol and either the word "DANGER" or "WARNING."

These words mean:

**⚠ DANGER**

**You can be killed or seriously injured if you don't immediately follow instructions.**

**⚠ WARNING**

**You can be killed or seriously injured if you don't follow instructions.**

All safety messages will tell you what the potential hazard is, tell you how to reduce the chance of injury, and tell you what can happen if the instructions are not followed.

# INSTALLATION REQUIREMENTS

## Tools and Parts

### Tools Needed

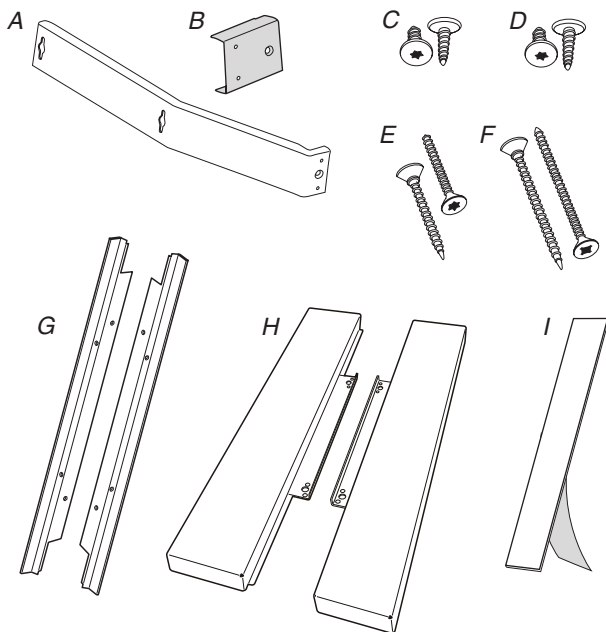
Gather the required tools and parts before starting installation. Read and follow the instructions provided with any tools listed here.

- Measuring tape
- Pencil
- T10 TORX<sup>†</sup> screwdriver
- No. 3 square and/or No. 2 Phillips screwdriver
- Drill
- 5/64" (2 mm) and 7/64" (3 mm) drill bits
- 1/4" (6 mm) shim\*

\* Shim may be needed for 30" (76.2 cm) installation in double-walled cabinetry (having outer walls that protrude past the front surface of the cutout opening). See Step 8 in the "Install the Microwave Oven (30" [76.2 cm] Installation Only)" section.

### Parts Supplied

All of the following parts are provided, but not all parts will be used. The cutout opening size will determine which parts you will use. See chart below parts list to see which parts are used for each installation..



- A. Side brackets (2)
- B. Extension plates (2)
- C. 3/8" (0.95 cm) T10 screws (4)
- D. 1/2" (1.27 cm) T10 screws (4)
- E. 1" (2.54 cm) T10 screws (4)
- F. 1 1/2" (3.81 cm) square/Phillips screws (2)
- G. Mounting brackets (2)
- H. Side trim panels (2)
- I. Spacer strips (4)

## Location Requirements

The microwave oven may be located in a cabinet, and/or above a built-in oven, or below the counter, and/or below a non-vented cooktop. Check the opening where the microwave oven will be installed. The location must provide:

- Wood cabinetry.
- Cutout opening that is plumb and square. See "Minimum Cutout Dimensions" in the "Minimum Dimensions" section.
- Cutout floor that is solid, level, and flush with bottom of cabinet cutout.
- Support for weight of at least 150 lbs (68 kg), which includes microwave oven and items placed inside.
- Grounded electrical outlet. See the "Electrical Requirements" section.
- Minimum installation clearances for installation location. See the "Minimum Dimensions" section.
- Complete enclosure around the recessed portion of the microwave oven.

INSTALLATION	PARTS USED
24" (61.0 cm) installation	D, E, G, I
30" (76.2 cm) installation	A, B, C, E, F, H, I

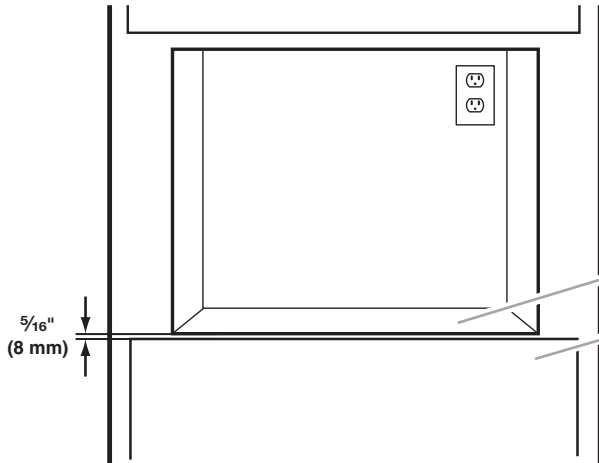
<sup>†</sup>TORX is a registered trademark of Acument Intellectual Properties, LLC

# Minimum Dimensions

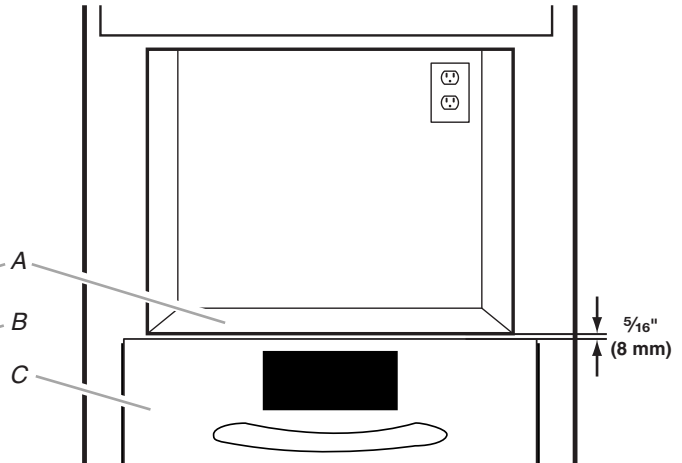
## Minimum Installation Clearances

For proper installation, the following minimum clearances must exist above and below the cutout opening.

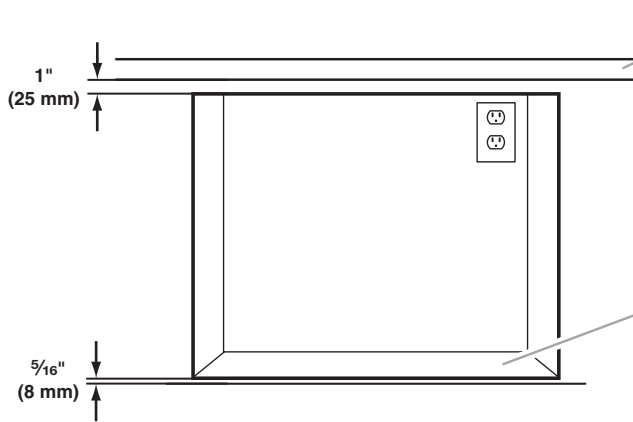
**Above Cabinet/Storage Drawer Installation**



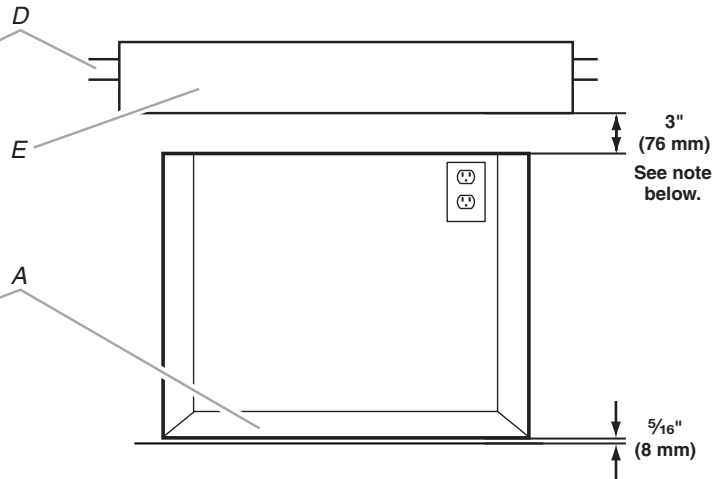
**Above Oven/Warming Drawer Installation**



**Below Counter Installation**



**Below Built-in Cooktop Installation**



A. Cutout floor  
B. Cabinet or storage drawer

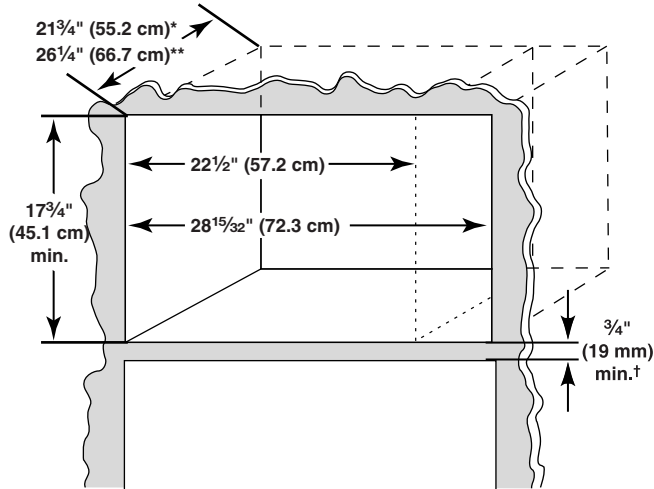
C. Oven or warming drawer facing  
(Overlaps lower opening. A minimum distance of 3/4" [19 mm] must exist between cutout floor [A] and lower appliance if microwave oven is installed over heat source.)

D. Countertop  
E. Built-in cooktop (non-vented)

**NOTE:** The bottom of the cooktop may be sunk into the counter and lower cabinet. The minimum 3" (7.6 cm) clearance must exist below the lowest point of the cooktop, and there must be no interference between any part of the cooktop (including any gas fittings) and the microwave oven.

## Minimum Cutout Dimensions

**NOTE:** Depth dimension may be 21<sup>3</sup>/<sub>4</sub>" (55.2 cm) with non-flush receptacle only if the receptacle is located in upper right or upper left corner. See "Cutout Top View."



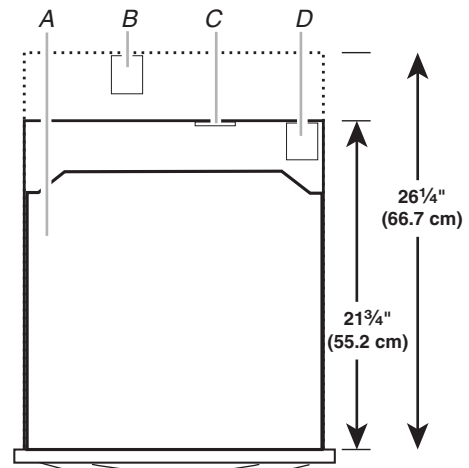
\* With flush receptacle, or with non-flush receptacle located in upper right or upper left corner of cutout.

\*\* With non-flush receptacle.

† The minimum distance of 3/4" (19 mm) must exist if microwave oven is installed over a heat source (oven, warming drawer, etc.).

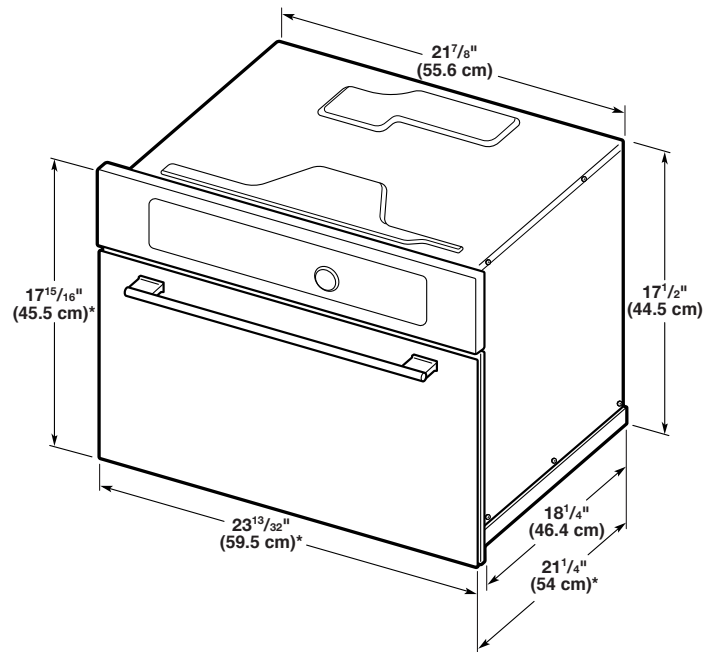
DIMENSION	24" (61.0 CM) INSTALLATION	30" (76.2 CM) INSTALLATION
Width	22 <sup>1</sup> / <sub>2</sub> " (57.2 cm) ± 1/32" (1 mm)	28 <sup>15</sup> / <sub>32</sub> " (72.3 cm) ± 1/16" (2 mm)
Height	Min. 17 <sup>3</sup> / <sub>4</sub> " (45.1 cm) for all installations	
Depth	21 <sup>3</sup> / <sub>4</sub> " (55.2 cm) with flush receptacle, or with non-flush receptacle located in upper right or upper left corner 26 <sup>1</sup> / <sub>4</sub> " (66.7 cm) with non-flush receptacle	

## Cutout Top View



- A. Microwave oven
- B. Non-flush receptacle
- C. Flush receptacle
- D. Non-flush receptacle located in upper right or upper left corner

## Product Dimensions



\* Measurements include front facing of microwave oven. Depth measurement also includes door handle.

## Electrical Requirements

### **⚠ WARNING**



#### Electrical Shock Hazard

Plug into a grounded 3 prong outlet.

Do not remove ground prong.

Do not use an adapter.

Do not use an extension cord.

Failure to follow these instructions can result in death, fire, or electrical shock.

Observe all governing codes and ordinances.

#### Required:

- A 120-volt, 60 Hz, AC-only, 15- or 20-amp electrical supply with a fuse or circuit breaker.

#### Recommended:

- A time-delay fuse or time-delay circuit breaker.
- A separate circuit serving only this microwave oven.

## GROUNDING INSTRUCTIONS

#### ■ For all cord connected appliances:

The microwave oven must be grounded. In the event of an electrical short circuit, grounding reduces the risk of electric shock by providing an escape wire for the electric current. The microwave oven is equipped with a cord having a grounding wire with a grounding plug. The plug must be plugged into an outlet that is properly installed and grounded.

**WARNING:** Improper use of the grounding plug can result in a risk of electric shock. Consult a qualified electrician or serviceman if the grounding instructions are not completely understood, or if doubt exists as to whether the microwave oven is properly grounded.

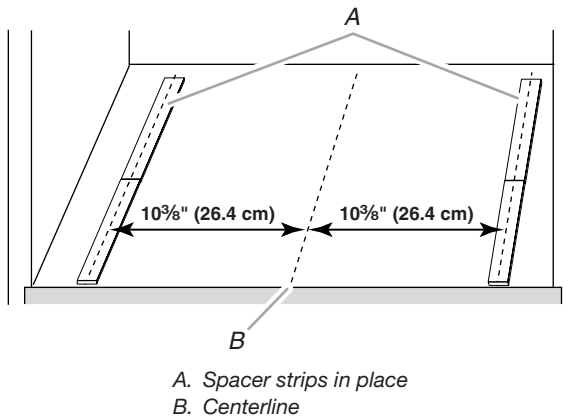
Do not use an extension cord. If the power supply cord is too short, have a qualified electrician or serviceman install an outlet near the microwave oven.

## SAVE THESE INSTRUCTIONS

## INSTALLATION INSTRUCTIONS

### Install Spacer Strips

The provided self-adhesive spacer strips must be installed on the cutout floor, as shown below. They are to be installed under the feet of the microwave oven. This raises the microwave oven  $\frac{1}{8}$ " (3 mm) to ensure enough clearance for the door to open fully, without obstruction from an installed lower appliance.



#### To Install Spacer Strips:

1. Mark centerline on floor of cutout opening.
2. Measure and mark  $10\frac{3}{8}$ " (26.4 cm) out on either side of centerline.
3. Remove adhesive backing from each strip.
4. Place one spacer strip flush with the front edge of the cutout opening. Make sure it is centered at  $10\frac{3}{8}$ " (26.4 cm) out from centerline, as shown.
5. Place second spacer strip directly behind the first spacer strip.
6. Repeat on other side.

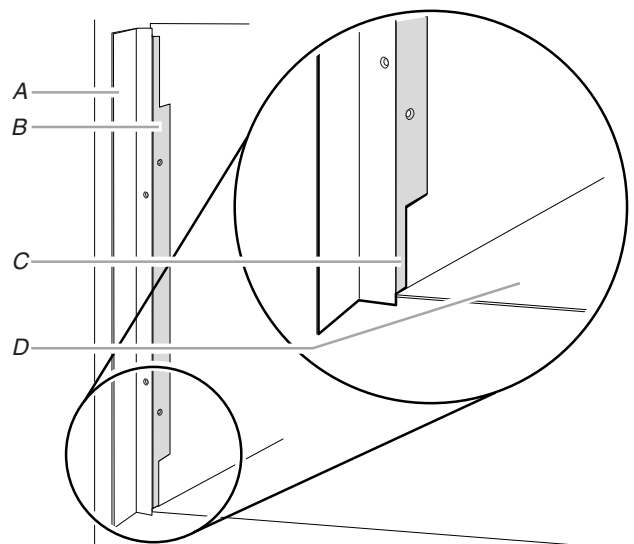
### Install the Microwave Oven (24" (61.0 cm) Installation Only)

For 24" (61.0 cm) installation, the mounting brackets must be attached to the 2 side edges of the cutout opening.

#### To Attach Mounting Brackets:

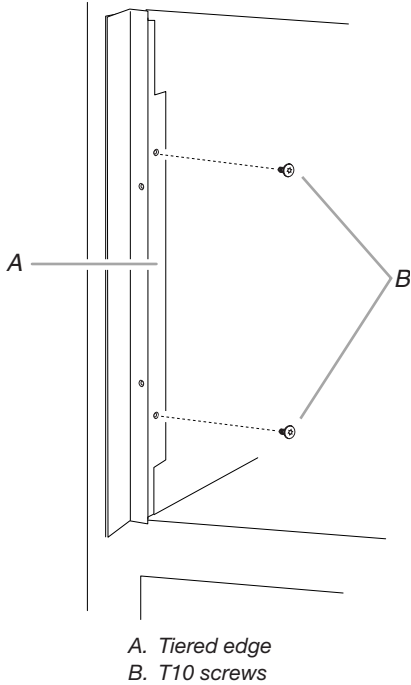
1. Hold the bracket firmly against the side rim of the opening, as shown.

The tiered edge of the bracket should be flat against the inside wall of the opening. The small tier should rest against the floor of the cutout opening.



A. Mounting bracket  
B. Tiered edge (shaded)  
C. Small tier  
D. Cutout floor

- Using a drill with 5/64" (2 mm) bit, drill pilot holes through the 2 holes in the tiered edge.
- Secure the bracket to the opening side rim with two 1/2" (1.27 cm) T10 screws.



- Repeat on other side.

**To Install Microwave Oven:**

**⚠ WARNING**

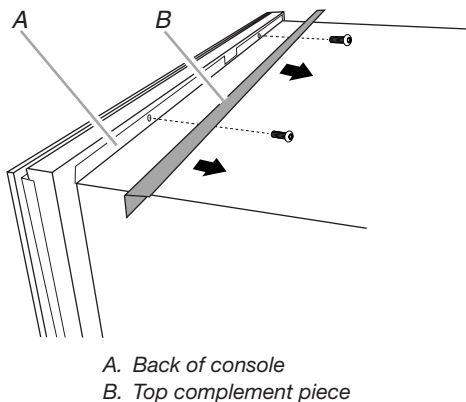
**Excessive Weight Hazard**

**Use two or more people to move and install microwave oven.**

**Failure to do so can result in back or other injury.**

**NOTE:** For this microwave oven, the door handle may be used for lifting. Do not use any other portion of the control panel, side brackets, front frame, or trim for lifting.

- Empty microwave oven of any loose items.
- From behind the console, remove the 2 screws that secure the top complement piece to the console. The top complement piece will not be used in this installation.



- Reinstall the 2 screws, securing the console to the microwave oven.

**⚠ WARNING**



**Electrical Shock Hazard**

**Plug into a grounded 3 prong outlet.**

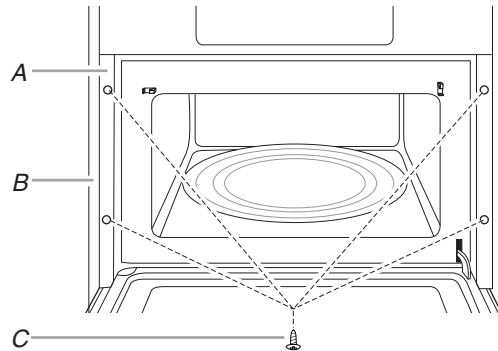
**Do not remove ground prong.**

**Do not use an adapter.**

**Do not use an extension cord.**

**Failure to follow these instructions can result in death, fire, or electrical shock.**

- With the microwave oven near the opening, plug the microwave oven into the grounded 3 prong outlet.
- Using 2 or more people, slide the microwave oven all the way into the opening.
- Open the microwave oven door. The holes in the door facing frame should align with the holes in the mounting brackets. Secure the microwave oven door facing to the mounting brackets using four 1" (2.54 cm) T10 screws.



- Proceed to the "Complete Installation" section.

## Install the Microwave Oven (30" (76.2 cm) Installation Only)

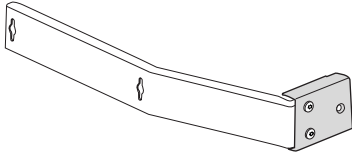
### ⚠️ **WARNING**

#### Excessive Weight Hazard

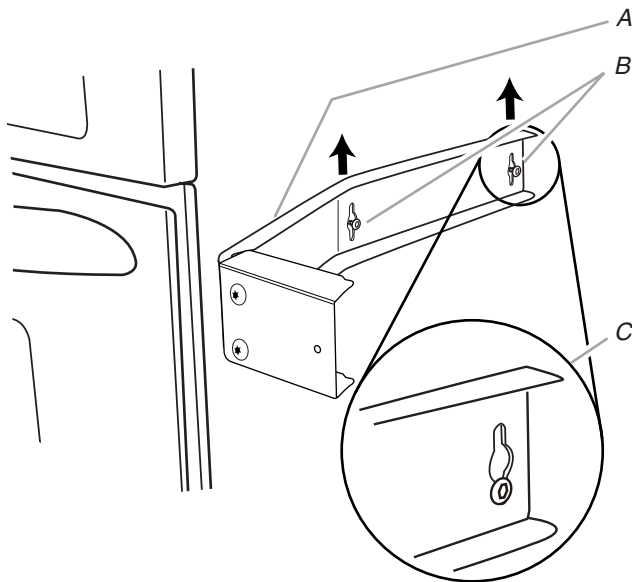
**Use two or more people to move and install microwave oven.**

**Failure to do so can result in back or other injury.**

1. Empty microwave oven of any loose contents.
2. Attach the extension plate to each of the side brackets using 3/8" (0.95 cm) T10 screws, as shown.



3. Loosen the middle and rear screws on each side of microwave oven. The screws are located at the same height as the door handle.
4. Place the side bracket over the 2 screws, fitting the screw heads through the keyholes on the bracket. Then slide the side bracket up so that the lower portions of the keyholes rest on the screws.



A. Side bracket  
B. Existing screws (middle and rear)  
C. Proper side bracket attachment

5. Tighten screws to secure the side bracket to the microwave oven.
6. Repeat steps 4 and 5 on the other side of the microwave oven.

### ⚠️ **WARNING**



#### Electrical Shock Hazard

**Plug into a grounded 3 prong outlet.**

**Do not remove ground prong.**

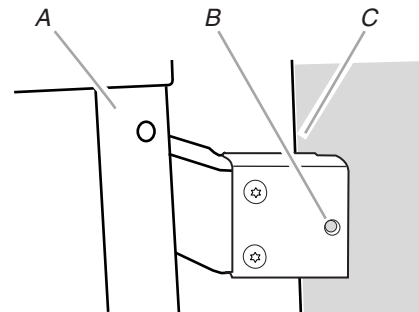
**Do not use an adapter.**

**Do not use an extension cord.**

**Failure to follow these instructions can result in death, fire, or electrical shock.**

7. With the microwave oven near the opening, plug the microwave oven into the grounded 3 prong outlet.
8. Using 2 or more people, slide microwave oven all the way into the opening, and center the microwave oven within the opening.

**NOTE:** The screw holes in the winged ends of both side brackets must be fully over the wood of the wall or cabinet, as shown.



A. Door front facing  
B. Side bracket screw hole for cabinet attachment  
C. Cabinet front

#### **For installation in double-walled cabinetry only:**

The clearance of 1/4" (6 mm) must exist between the end of the side bracket and the outer wall.

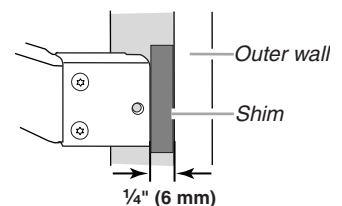
If this clearance exists, proceed to Step 9 below, and complete installation.

If this clearance does not exist, follow these steps:

- a. Wedge 1/4" (6 mm) shim between side bracket and outer wall;
- b. Use 7/64" (3 mm) drill to drill pilot hole through screw hole in side bracket;
- c. Install 1 1/2" (3.81 cm) square/Phillips screw, and then remove shim.
- d. Repeat steps a, b, and c on other side.

**NOTE:** To ensure proper side trim panel fitting, do not overtighten screws.

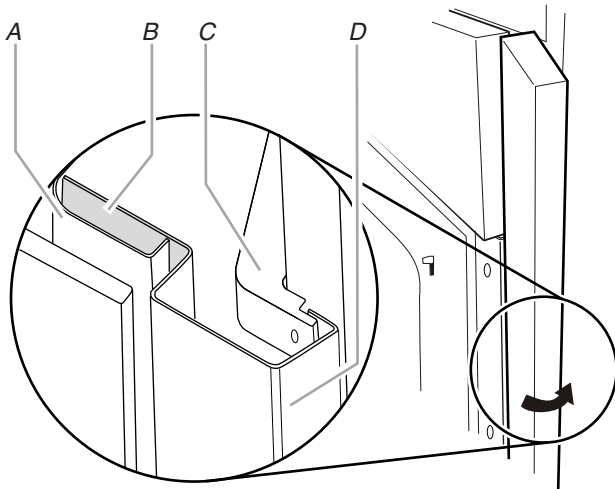
**Proceed to Step 11.**





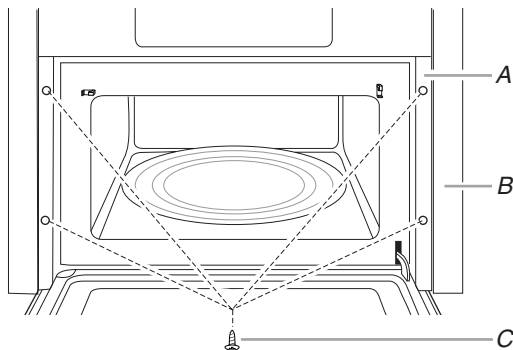
9. Using 7/64" (3 mm) drill, drill pilot holes into the cabinet through the screw holes in the side brackets.
  10. Install two 1½" (3.81 cm) square/Phillips screws in the pilot holes to secure the microwave oven in place.
- NOTE:** To ensure proper side trim panel fitting, do not overtighten screws.
11. Open microwave oven door.
  12. Position the tabular portion of the side trim panel behind the door facing frame, then firmly push the outside edge of the trim behind the side bracket, as shown.

### Exploded View of Panel Placement



- A. Door facing frame
- B. Tabular portion (shaded) of side trim panel
- C. Side bracket
- D. Side trim panel in place

13. Attach the side trim panel to the door facing frame using two 1" (2.54 cm) T10 screws.



- A. Door facing frame
- B. Trim panel
- C. 1" (2.54 cm) T10 screws (4)

14. Repeat steps 12 and 13 on other side.

## Complete Installation

1. Install the turntable in the microwave oven.
  2. Check the operation of microwave oven by placing 1 cup or 8 oz (250 mL) of water on the turntable and programming cook time of 1 minute at 100% power.
  3. If the microwave oven does not operate:
    - Check that a household fuse has not blown, or a circuit breaker tripped. Replace the fuse or reset the circuit breaker. If the problem continues, call an electrician.
    - Check that the power supply cord is plugged into a grounded 3 prong outlet.
    - See the Use and Care Guide for troubleshooting information.
- Installation is now complete.  
Save these Installation Instructions for future use.

## ASSISTANCE

Please reference the "Warranty" section of the Use and Care Guide.