
Features and Benefits of Your New Dryer

ActiveDry™ Technology

Moisture and temperature levels are constantly monitored to ensure precise drying results for a wide array of fabrics. Everything from T-shirts to baby blankets comes out warm and soft every time.

Constant monitoring ensures the lowest energy usage possible, cutting consumption by up to 50% per year.

EcoSmart™

EcoSmart™ technology utilizes a network of sensors in the Bosch Vision dryer for cycles that conserve the most energy possible while maintaining superior drying performance. By adjusting to how wet the load is and regulating temperature to never over heat, it is no wonder that Bosch offers some of the most efficient dryers in the market.

EcoAction™

This option gives you the ability to reduce energy usage by up to 10%. By selecting this option, temperature is reduced to save resources while the cycle time is slightly extended to ensure proper drying.

DynamicAir™

The Bosch Vision DynamicAir™ system features gentle heat and high air volume in the most gentle dryer drum. Only Bosch Vision can offer a one-piece dryer drum with a backshield full of holes to properly distribute air over your laundry, giving you the most gentle and effective drying possible.

Wrinkle Block®

Sometimes you can't get your laundry right when the buzzer rings. Wrinkle Block® gives you one hour of intermittent tumbling, preventing creases from setting in and, ultimately, reducing ironing time.

Stainless Steel Drum

Bosch dryers feature smooth, stainless steel drums for the gentlest of care.

160° Door Hinge

The dryer door opens up to 160° – making it easier to load and unload laundry. Washer and dryer doors also open in opposite directions, so when set up side by side, transferring your damp laundry to the dryer becomes an effortless task.

Quiet Performance

Bosch laundry appliances use brushless motors, suspended pump systems, and special sound-deadening material to keep them exceptionally quiet while in operation. Quiet operation means they can be installed virtually anywhere in the home without causing a disturbance.

Dryer Rack

The dryer rack protects the most delicate fabrics or a pair of tennis shoes, allowing either to dry without tumbling. It is standard on the Premium model and is available as an accessory on all models.

Lint Filter

The dryer lint filter is conveniently located in the appliance housing below the dryer door for easy access. The lint filter's fine mesh filter captures even the smallest lint particles. And to increase drying efficiency, there's also a lint filter LED on the control panel that illuminates should the filter need immediate cleaning.

Steam Cycles

Steam Cycles offered on select models utilize added moisture to help relax fabric, ease wrinkling, and freshen cotton blend laundry items to reduce odor.

Table of Contents

Definitions	4
IMPORTANT SAFETY INSTRUCTIONS	5
GROUNDING INSTRUCTIONS	6
INSTALLATION INSTRUCTIONS	7
Introduction	7
Information concerning waste disposal	7
Before installing the dryer	7
Checklist for Installation	8
Installation Location	8
Dryer Dimensions	8
Door Hinge Reversal	9
Installation Types	11
Electrical connection	14
Exhaust air connection	17
Accessories	19
Preparing to transport the dryer – step by step	19
OPERATING INSTRUCTIONS	20
Panel	20
Additional Safety information	21
Protection of the environment	21
Laundry	21
Identification of fabrics	21
Drying tips	21
Cycle Selection	22
Options (Delicates, ECO Action)	22
Acoustic Signal (800 Series, page 25)	22
LED indicators of cycle sequence	23
Cycle Selection Table	24
Automatic cycles	24
Steam cycles	24
Special cycles	24
Time cycles	24
Additional Options on LCD Menu	24
Operation	26
Using the dryer	26
Cleaning the lint filter	27
Using the dryer rack (Option)	28
Cleaning and care	29
Cleaning the dryer	29
Cleaning the exhaust duct	29
Cleaning the moisture sensor	29
Cleaning the lint filter housing	29
Cleaning the Steam nozzle	29
Change the light bulb	29
Troubleshooting	30
SERVICE and REPAIR	32
STATEMENT OF LIMITED PRODUCT WARRANTY	33

Congratulations!

Your new clothes dryer is a modern, high quality domestic appliance.

This dryer complies with:

UL 2158/CAN/CSA-C22.2 No.

112 Clothes Dryers

A distinctive feature of your dryer is low energy consumption.

An easy operation philosophy, a variety of customized drying programs, and a solid touch and feel make this appliance a user-friendly assistant in your household.

Bosch dryers offer the following standard features:

- High-efficiency precision drying system
- Large stainless steel drum with a capacity of up to 17.6 lbs (8 kg)
- Large port hole (16"/406 mm), and door interlock with automatic drum stop function
- Exceptionally quiet operation
- Sensor-controlled auto cycles
- Timed cycles
- 300 and 500 Series Dryer: 20, 40 and 60 minute cycles
- 800 Series Dryer: 10 to 150 minutes (in increments of 10 minutes)
- Wrinkle Block® feature tumbles clothes periodically for up to one hour following drying to help decrease wrinkling

Each dryer which leaves our factory has undergone a thorough performance test and is in full working condition. If you have any questions, especially concerning installation of the dryer – our customer service team will be happy to assist you.

Further information and a selection of our products can be found on our web site:

www.bosch-home.com/us

Information

Please read and follow these operating and installation instructions and all other information enclosed with the dryer.

Models Covered by this User Manual

Display types

The instructions in this manual refer to dryers with two different display types.



300 and 500 Series dryers have an LED display



800 Series dryers have an LCD display

Installation, operating and maintenance instructions are the same for dryers with either display type except where noted. LCD dryer menu operation and related options are described in the 800 Series Additional Options section of this manual.

Definitions



WARNING

WARNING – This indicates that death or serious injuries may occur as a result of non-observance of this warning.



CAUTION

CAUTION – This indicates that minor or moderate injuries may occur as a result of non-observance of this warning.

NOTICE

NOTICE – This indicates that damage to the appliance or property may occur as a result of non-observance of this warning.



This symbol is used to draw the user's attention to important information.

Steam Dryers

Steam Cycles are available on 500 and 800 Series Dryers with the Steam logo on the panel.



⚠️ IMPORTANT SAFETY INSTRUCTIONS



WARNING

The warnings and safety instructions in this manual can not cover all possible risks, conditions and situations that may arise. Use common sense and exercise caution when installing, maintaining and operating this or any other appliance.



WARNING

To reduce the risk of fire, electric shock, serious injury or death to persons and /or damage when using your dryer, follow basic precautions, including the following.

1. Read all instructions before using the dryer. Bosch dryers are provided with Operating, Care and Installation Instructions.
2. Do not dry articles that have been previously cleaned, washed, soaked or spotted with gasoline, dry cleaning solvents, or other flammable or explosive substances as they give off vapors that could **ignite** or explode.

To reduce the risk of **fire**, clothes, cleaning rags, mop heads and the like which have traces of any flammable substance, such as vegetable oil, cooking oil, petroleum-based oils or distillates, waxes, fats, etc., must not be placed in the dryer. These items may contain some flammable substance(s), even after washing, which may smoke or catch **fire** by themselves.

Do not place items exposed to cooking oils in your dryer. Items contaminated with cooking oils may contribute to a chemical reaction that could cause a laundry load to catch **fire**.
3. The dryer must only be used for its intended purpose.
4. When children become old enough to operate the appliance, it is the responsibility of the parents or legal guardians to ensure that they are instructed in safe practices by qualified persons.
5. Do not allow children to play on or in the appliance at any time; severe **injury** or **death** could result. Children should be kept a safe distance away from appliances at all times. Children should only be permitted within an appliance's vicinity if under close, constant adult supervision.
6. Do not allow children's toys, or other items that might encourage children to climb on the dryer, to be stored on or in the dryer or on shelves or in cabinets or other storage areas adjacent to the dryer.
7. Do not sit or stand on the top of the dryer.
8. Do not allow anyone to climb, lean or hang on any part of the dryer including any protruding components such as the appliance door or a pullout shelf.
9. To reduce the risk of poisoning or chemical burns, keep all cleaning products out of the reach of children.
10. Store all laundry chemicals and aids in a cool dry place according to the manufacturer's instructions. Make sure children cannot reach them. Gasoline, combustible materials and materials that produce flammable vapors, flammable liquids, and substances that pose a fire hazard must not be stored near the dryer.
11. Keep pets away from the dryer.
12. **BEFORE THE APPLIANCE IS REMOVED FROM SERVICE OR DISCARDED, REMOVE THE DOOR TO THE DRYING COMPARTMENT.**
13. Do not reach into the appliance if the drum is rotating.
14. Do not install or store this appliance where it will be exposed to the weather or the elements, such as water/moisture, dirt, corrosive/salt air, and excessive cold.
15. Do not tamper with the controls.
16. Do not repair or replace any part of the appliance or attempt any service unless specifically recommended in the user-maintenance instructions or in published user repair instructions that you understand and have the skills to carry out.
17. Do not use fabric softeners or products to eliminate static unless recommended by the fabric manufacturer.
18. Do not use heat to dry articles containing foam rubber (may be labeled latex foam) or similarly textured rubber-like materials. Foam rubber materials can **ignite** by spontaneous combustion.
19. Do not dry articles containing spunbonded olefin. Spunbonded olefin can melt and can **ignite** by spontaneous combustion.
20. Check the lint screen before each laundry load and clean as needed. Excess lint buildup can damage the dryer and create a potential **fire hazard**.
21. Keep area around the exhaust opening and adjacent surrounding areas free from the accumulation of lint, dust and dirt. An obstructed port might reduce the airflow and cause overheating.
22. The interior of the machine and exhaust duct should be cleaned periodically by qualified service personnel.
23. Removing any panel or cover, including the light cover, may expose live electrical circuits. Always be sure to unplug the dryer from the electrical supply before attempting any service. Disconnect the power cord by grasping the plug, not the cord.
24. To avoid fire hazards, do not use an extension cord, an adapter, or any other non-manufacturer supplied electrical connector or cord, to connect the dryer to the electrical supply. Dryers require substantial amounts of electrical power and must have dedicated electrical outlets.
25. Always check clothing pockets and shake out all laundry items before placing into dryer;

inappropriate objects can damage the dryer and certain items like cigarette lighters can pose a **fire hazard**.

26. To reduce the risk of fire and electrical shock hazards, do not use the dryer if the power cord is frayed or damaged, or if the plugs are loose.
27. Do not operate the dryer if any guards and/or panels have been removed or if any parts are missing or broken.
28. Do not bypass any safety devices.
29. Do not use a plastic or non-metal flexible duct with this dryer. Plastic or non-metal flexible duct is a potential **fire hazard**.
30. Do not operate this dryer until you are sure that the dryer has been installed according to the INSTALLATION INSTRUCTIONS and that installation and electrical grounding are in compliance with all local regulations and/or other applicable regulations and requirements.
31. Failure to install, maintain and/or operate the dryer according to the manufacturer's instructions may result in **injury** and/or damage.
32. To avoid floor damage and mold growth, do not let spills or splashout to cause standing water around or under the appliance.
33. Make sure that all water connections to the dryer have a shut-off valve that is readily accessible. Close the appliance water shut-off valve(s) at the end of each day of use.
34. Check the fill hose connections on a regular basis to ensure that they are tight and not leaking.

Notes:

- A The **IMPORTANT SAFEGUARDS** and **WARNINGS** presented in this manual do not cover all possible conditions that may occur.
Common sense, caution and care must be exercised when installing, maintaining or operating the dryer.
Always contact your dealer, distributor, service agent or the manufacturer about any problems or conditions that you do not understand.
- C Follow the Safety Information provided in the **INSTALLATION INSTRUCTIONS** and the **OPERATING INSTRUCTIONS**.

GROUNDING INSTRUCTIONS

This appliance must be grounded. In the event of malfunction or breakdown, **shock** by providing a path of least resistance for the electric current.

For U.S.A.

Your dryer comes without a power supply cord. The power cord must meet the following requirements:

- UL listed in the USA
- 240 volt rated (minimum)
- 30 amps
- Type SRDT or DRT and marked for use with clothes dryers
- Five feet long (minimum)

WARNING

Improper connection of the equipment grounding conductor can result in a risk of electric **shock**.

Check with a qualified electrician or service person if you are in doubt as to whether the dryer is properly grounded.
DO NOT modify the plug provided with the appliance. If it will not fit the outlet, have a proper outlet installed by a qualified electrician.

KEEP THESE INSTRUCTIONS FOR FUTURE REFERENCE.

In case of change of ownership, this manual should be conveyed with the dryer.

SAVE THESE INSTRUCTIONS

INSTALLATION INSTRUCTIONS

Introduction

Read these installation instructions completely and carefully. They will save you time and effort and help to ensure optimum dryer performance. Be sure to observe all listed warnings and cautions.

WARNING

- WARNING – Risk of Fire.**
- Clothes dryer installation must be performed by a qualified installer.
 - Install the clothes dryer according to the manufacturer's instructions and local codes.
 - Do not install a clothes dryer with flexible plastic venting materials. If flexible metal (foil type) duct is installed, it must be of a specific type identified by the appliance manufacturer as suitable for clothes dryers. Flexible venting materials are known to collapse, be easily crushed and trap lint. These conditions will obstruct clothes dryer airflow and increase the risk of fire.
 - To reduce the risk of severe injury or death, follow all installation instructions.
 - **SAVE THESE INSTRUCTIONS.**

In addition to these instructions the dryer must be installed in accordance with all local codes or, in the absence of a local code:

- In the **U.S.A.**, in accordance with the National Electric Code, ANSI/NFPA70 – latest edition/State and Municipal codes and/or local codes.

Information concerning waste disposal Disposal of the packaging

WARNING

Keep children away from the shipping carton and packaging components to avoid risk of suffocation.

All packaging materials are environmentally friendly and can be reused. Please dispose of packaging in an environmentally friendly manner. Please ask your dealer or inquire at your local authority about the best means of disposal.

Disposal of the old appliance

WARNING

If the appliance is no longer usable, pull out main plug, cut off power cord and discard with main plug. To prevent children from locking themselves in the appliance, remove the door.

Old appliances are not worthless rubbish! Valuable raw materials can be reclaimed from environmentally friendly recycling.

Please ask your dealer or inquire at your local authority about the best means of disposal.

Before installing the dryer

Before installing the dryer to a previously used ductwork system, make sure the system is clean. Professional ductwork cleaning is recommended annually and also when attaching your dryer to a previously used ductwork system.

Maintaining clean ductwork will reduce drying time and will improve drying performance.

Unpacking the appliance

CAUTION

The dryer is very heavy. Do not lift it by yourself. Do not lift the appliance by projecting components (e.g. door) – due to risk of breakage.

NOTICE

Remove the appliance packaging carefully to prevent damage to appliance surfaces and adjacent areas.

Check the dryer for transportation damage. Do not install a dryer which is visibly damaged. If in doubt, contact your dealer.

Supplied components

CAUTION

The dryer is supplied without a power cord. The power cord must be connected by a qualified technician or a licensed electrician.

NOTICE

After removing the packaging, immediately remove any objects from the drum.

Installation location

⚠ WARNING

- DO NOT install the dryer:
- outdoors
 - in an environment with dripping water,
 - near flammable materials,
 - in rooms which are at risk of frost,
 - in rooms which may contain gas or other fuels,
 - in cupboards with lockable doors.

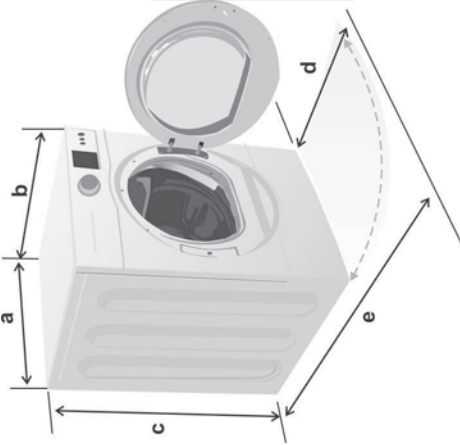
The installation room must be well ventilated, otherwise the dryer will operate below optimum performance.

Do not operate the dryer at temperatures above 104°F (40°C) or below 41°F (5°C). Low temperatures affect the automatic program sequence and may prolong the drying times.

The installation surface for the dryer must be clean, level and firm. Do not install the appliance on carpets! Compensate for uneven floors with the height-adjustable feet.

The size of the installation area depends on the dimensions of the dryer. Ensure that there is adequate room for the swivel range of the door!

Dryer Dimensions



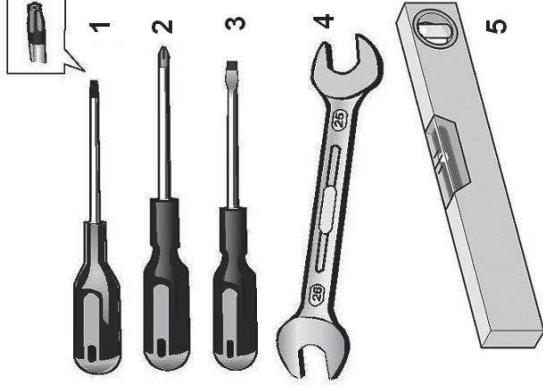
Dimension	Weight
a	27.0" (68.6 cm) 125 lbs (56.7 kg)
b	31.8" (81.0 cm)
c (min)*	36.9" (93.6 cm) with packaging
c (max)*	37.8" (95.9 cm) 143 lbs (64.8 kg)
d	22.0" (59.7 cm) angle 160°
e	53.9" (136.9 cm)

* min=dryer feet all the way in, max=out

Useful Tools

The following tools are helpful during installation:

1. T20 star head screwdriver
2. Philips screwdriver (#2)
3. Flat blade screwdriver
4. Open end wrench 1 in. (25mm)
5. Bubble level



Follow the installation instructions supplied by the appropriate ductwork parts manufacturers (see page 18)

- i** If space is very restricted, it is recommended to fit the initial parts of the exhaust duct to the dryer before the dryer is moved to its final installation location.

NOTICE

DO NOT push against the dryer door glass. Risk of breakage!



11. Move the dryer to its final location.

NOTICE

Do not slide dryer across the floor if height-adjustable feet have been extended. Feet and/or dryer base may be damaged if dryer is slid across floor with height-adjustable feet extended.

12. Position and then level the dryer.



The dryer should be level with all four feet firmly on the ground. The dryer must not wobble. If the dryer is not level or if it does wobble, the feet must be adjusted. Adjust the height-adjustable feet using the 1 in. (25mm) wrench until the dryer does not rock and is level, both front-to-back and side-to-side.

Checklist for Installation

1. Unpack the dryer.
2. Remove all objects from the drum.
3. Check the dryer for visible damage.
4. Position the dryer near the installation location (see page 8).
5. If required, change the door hinge to the left (see page 9).
6. If required, install the side or bottom exhaust air outlet on the dryer (see page 19).
7. Have the power supply cord fitted by a qualified technician or a licensed electrician (see page 14).
8. Check for "Y" connection, short hose and water supply hose included with the dryer packaging (see page 13). (Selected models only).
9. Connect the water supply (selected models only) to the back of the dryer (see page 13 for detailed instructions).
10. Install exhaust ductwork if necessary.

- ❑ After making preliminary adjustments, press down on each corner of the dryer to make sure the unit does not wobble. If pressing down on a corner causes the dryer to wobble, lower the dryer foot on that corner until the foot touches the floor firmly.

Install the dryer and level it from side to side and front to back. Use a bubble level. Never remove the height-adjustable feet!

13. Connect the exhaust duct to the exhaust air outlet on the dryer (see page 17).
14. Insert the dryer electrical plug into the wall receptacle (see page 14).
15. Read the operating instructions to understand how your dryer operates. (see page 20).
16. Conduct an appliance test:
 - ❑ Check that the drum is empty.
 - ❑ Close the dryer door.
 - ❑ Switch the dryer to "Extra Dry" and then press the "Start/Pause" button.
 - ❑ After 3–5 minutes press the "Start/Pause" button and open the door.
 - ❑ If the interior of the dryer feels warm, the dryer has been connected properly. Switch the dryer to "OFF".
 - ❑ If the dryer does not work, switch the dryer to "OFF". Look in the troubleshooting section (page 30) and find the fault.

Door Hinge Reversal

The door is hinged on the right hand side of the dryer at the factory. The door hinge can be reversed if necessary.

Tools Needed

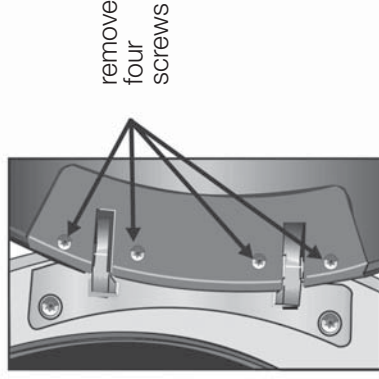
T20 star head screwdriver

Hinge Reversal Parts

Hinge (with 4 white plastic bushings)
Hinge Cover Plate
Door Assembly

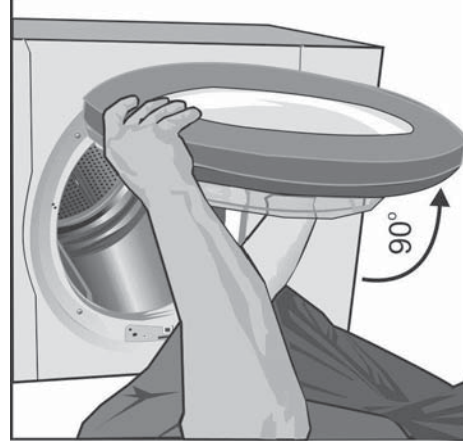
Hinge Reversal Procedure

1. Unplug the dryer.
2. Prepare a firm, flat, padded surface to lay the dryer door on while changing the hinge.
3. Open the dryer door to fully expose the hinge cover.
4. Remove the 4 screws holding the hinge cover in place.

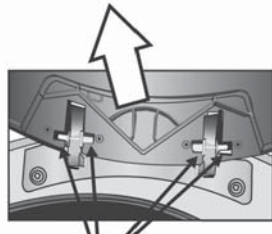


Set the cover aside along with the four screws for later installation.

5. Rotate the door so that it is perpendicular to the dryer front. Slide the door away from the dryer so the hinge pins slide out of the grooves in the dryer door.

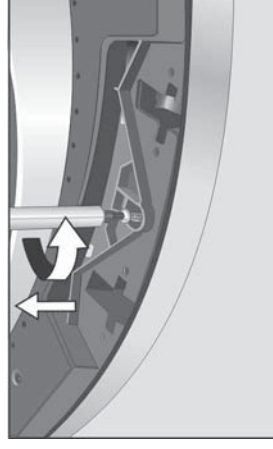


check to make sure that all four plastic bushings remain on the hinge pins

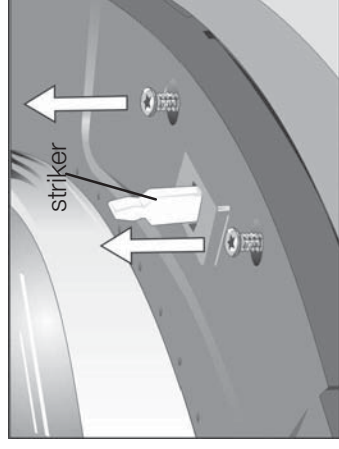


Avoid allowing the 4 plastic bushings to fall off the hinge pins. If any of the bushings do fall off, reinstall them on the hinge pins prior to reinstalling the door.

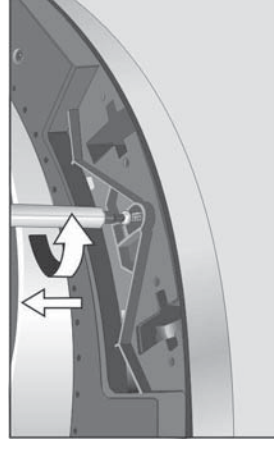
6. Lay the dryer door face down on a firm, flat, padded surface, with the bottom of the door facing towards you.
7. Remove the single screw that was hidden by the hinge cover plate.



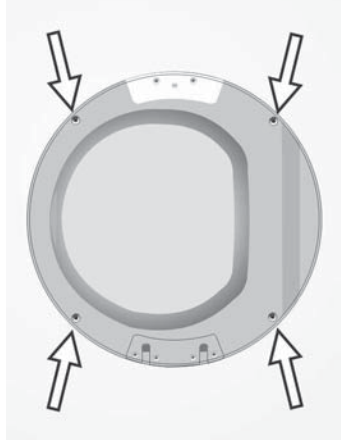
8. Remove the two screws holding the striker cover plate in place. Hold the striker while lifting the cover so as to keep the parts together in place and set the assembly aside for later reinstallation.



9. Remove the single screw that was hidden by the striker plate cover.

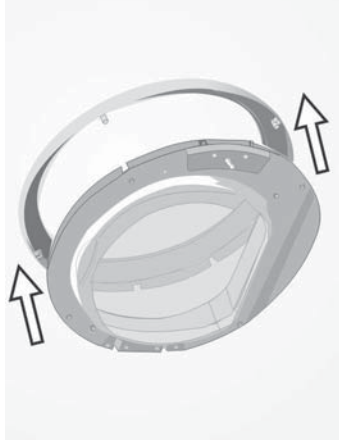


10. Remove the four screws holding the front ring to the door body.

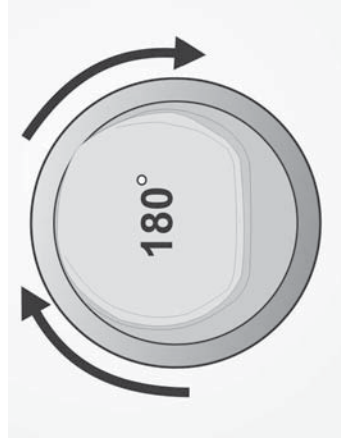


11. Flip the door over so the front ring faces up.

12. Remove the front ring from the dryer door.



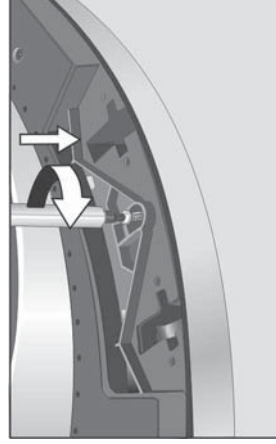
15. Rotate the front ring 180 degrees so the door handle is now on the right hand side. The door handle is located on the inside of the front ring. It is a hand-sized indent.



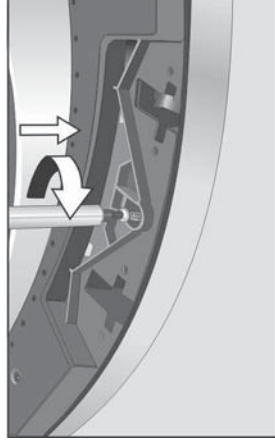
16. Flip the door over so the back faces up.

17. Reassemble the parts, preserving their new alignments.

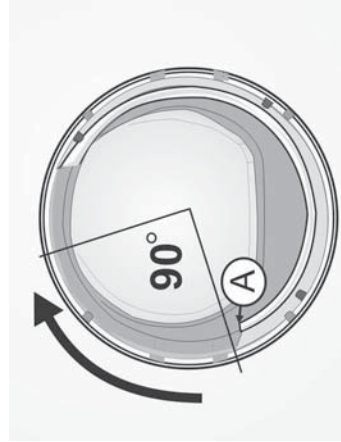
18. Reinsert the single screw that goes under the hinge cover plate. Tighten the screw securely.



19. Reinsert the single screw that goes under the striker plate. Tighten the screw securely.

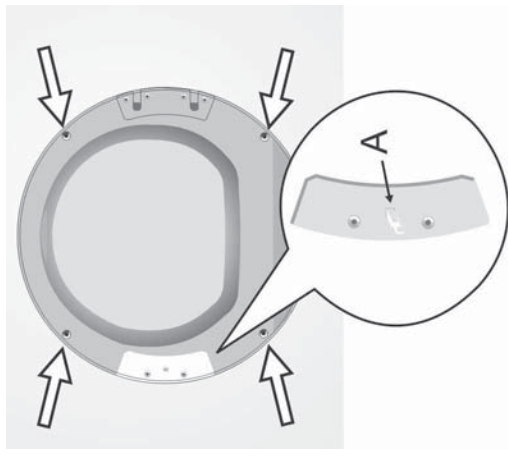


14. Note the new position of the cover glass. The leading edge of the raised glass edge should have moved 90 degrees clockwise from its starting point as shown in the illustration below as (A).

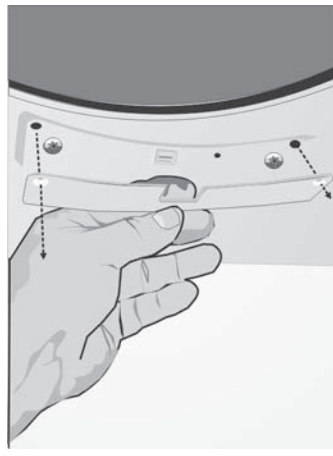


had been). Reinstall the striker cover and striker to the new location and securely tighten the two cover screws.

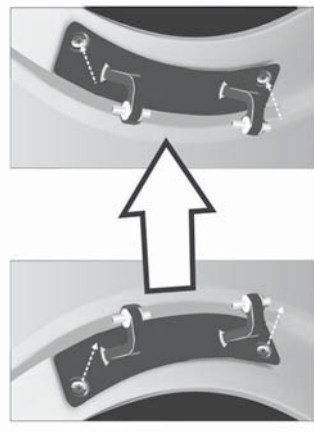
21. Reinsert and tighten the four front ring screws.



22. Remove the two screws holding the plastic cover plate over the left hand hinge mounting position on the dryer housing. Remove the plate and set it aside with the two screws.



23. Remove the two screws holding the metal door hinge to the dryer housing. Remove the hinge from the housing.



Right Hand to Left Hand

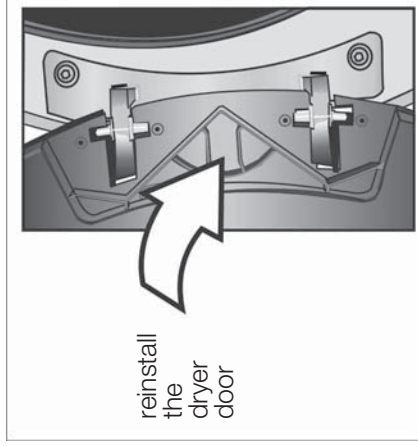
24. Reattach the door hinge to the dryer housing at the left side of the dryer door opening. Tighten both screws completely, making sure they hold the hinge securely.

13. The cover glass has a raised glass edge that goes about two-thirds of the way around the glass. Be sure this raised edge faces up towards you. Observe the position of the leading edge of the raised glass handle, marked in the illustration below as (A).

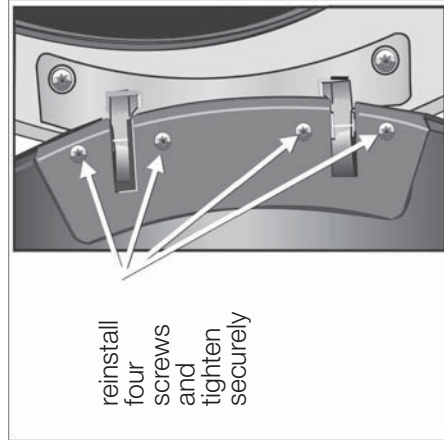
Rotate the cover glass 90 degrees clockwise.

25. The door is now ready to be mounted back on the dryer.

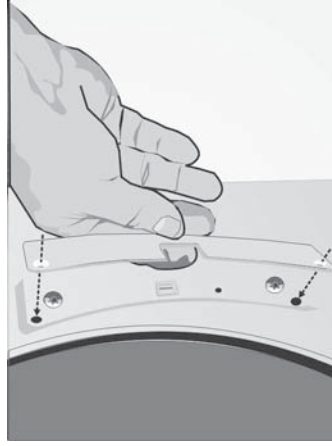
26. Reinstall the dryer door by sliding it onto the hinge pins.
Avoid allowing the four plastic bushings to fall off the hinge pins. If any fall off, reinstall them on the hinge pins prior to reinstalling the dryer door.



27. Reinstall the hinge cover plate removed in step 4. Insert and tighten the 4 screws holding the hinge cover plate in place.



28. Install the plastic cover plate over the original hinge position at the right hand side of the dryer door opening. Insert and tighten the two screws holding the plate in place.



29. Test that the door opens and closes properly. The door should latch securely. The hinge reversal process is complete.

Minimum Distances

Important information concerning minimum distances:

- Depending on the location of the exhaust air connection, an additional minimum distance of 5½ inch (14 cm) must be provided on this side, the side the connection is on, for ducts/brackets (see page 19). Benefits of maintaining greater distance (clearances) than the minimum shown include:
 - more air cools the dryer, keeps the dryer from overheating, and improves drying performance.
 - reduction of the risk of mold formation behind the appliance.
 - reduced noise transmission
 - facilitation of installation and service.
- If the dryer is installed in a small room, the doors of the room must be fitted with vents of the specified minimum size. Refer to the following illustrations of enclosed installations for additional information.
- Allow additional clearance for door, wall and window molding where necessary.

Installation Types

Observe the following minimum clearances between the dryer and adjacent surfaces for all installation types.

Minimum Installation Clearances

A Sides	0.25 in. (6.4 mm)
B Top	0.25 in. (6.4 mm)
C Rear*	5.25 in. (13.4 cm)
D Front	0.50 in. (12.8 mm)

* as close to wall as venting or water connection will allow. If installed with a washer, the larger rear clearance for dryer venting is required for the laundry pair.

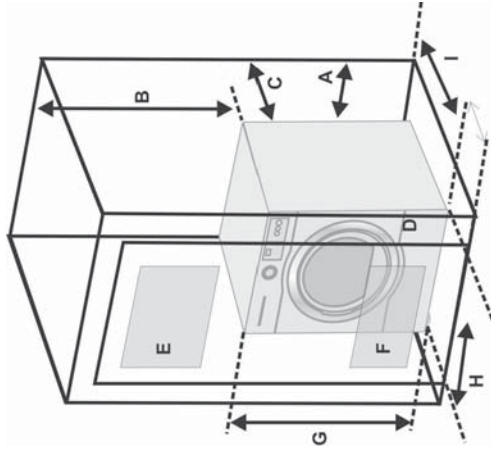
- Units are designed so that the dryer can be stacked on top of the washer using one of the stacking kits shown on page 19.
- Units are designed to allow for under-counter installation. See required dimensions in under-

counter installation section on page 12.

Height measurements shown in this section are with the dryer feet at minimum extension (turned in all the way up against the base of the dryer).

Recessed or Closet

Dimensions for installation in a closet or recessed area are shown in the illustration below.



Closet Ventilation Requirements

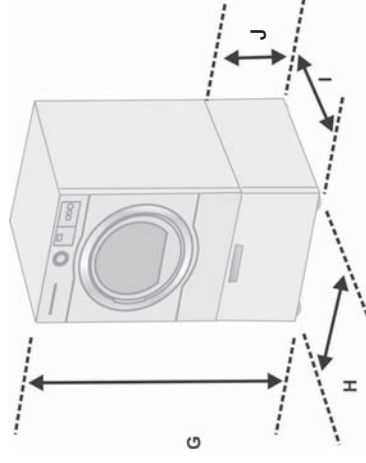
E Top	48 sq. in. (310 sq. cm)
F Bottom	24 sq. in. (155 sq. cm)

Required Installation Space

G Height	37.25 in. (94.6 cm)
H Width	27.50 in. (69.9 cm)
I Depth	37.25 in. (94.6 cm)

Mounted on Pedestal

Dimensions for pedestal mounting installation are shown in the illustration below.

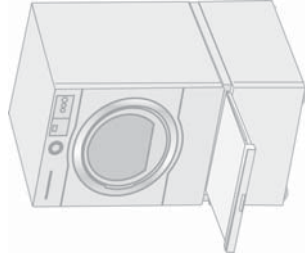


Required Installation Space

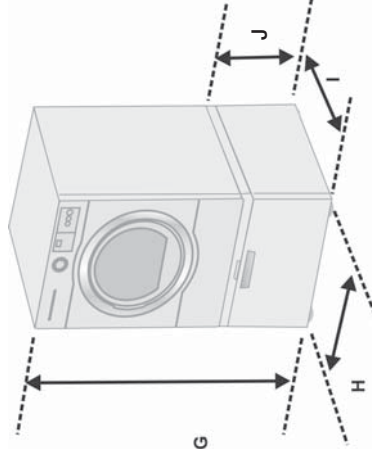
G Height	52.25 in. (132.7 cm)
H Width	27.50 in. (69.9 cm)
I Depth	37.25 in. (94.6 cm)
J Pedestal Ht.	15.0 in. (38.1 cm)

- i** Appliance must not be mounted on a pedestal for under counter installations.

Pedestal With Pull-Out Shelf



Dimensions for pedestal and pull-out shelf installation are shown in the illustration below.



Required Installation Space

- G** Height 53.75 in. (136.5 cm)
- H** Width 27.50 in. (69.9 cm)
- I** Depth 37.25 in. (94.6 cm)
- J** Pedestal ht. 15.0 in. (38.1 cm)

- i** Appliance must not be mounted on a pedestal for under counter installations.

Stacked Washer and Dryer



WARNING

Risk of personal injury or death. **DO NOT** stack the dryer on top of the washer without the use of one of the stacking kit accessories listed in this manual.

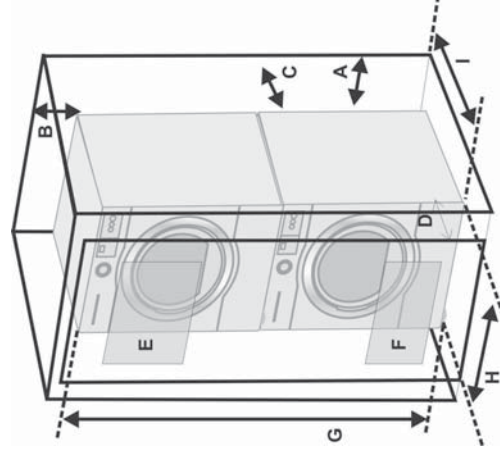
Dimensions for stacked installation are shown in the illustration below.

There are two stacking kits available for stacking the dryer on top of the washer. See the “Accessories” section on page 19.



WARNING

More than two people are recommended to lift the dryer into position because of its weight and size. Failure to do so could result in personal injury or death.



Clearance dimensions A through D are found on page 11.

Closet Ventilation Requirements

- E** Top 48 sq. in. (310 sq. cm)
- F** Bottom 24 sq. in. (155 sq. cm)

Required Installation Space

- G** Height* 74.50 in. (189.3 cm)
* with basic stacking kit
- Height** 76.02 in. (193.1 cm)
** with pull-out shelf stacking kit
- H** Width 27.50 in. (69.9 cm)
- I** Depth 37.25 in. (94.6 cm)



WARNING

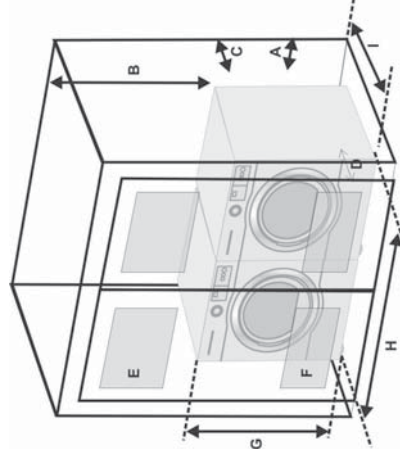
Appliance must not be mounted on a pedestal for stacked installations.

The washer must not be stacked on top of the dryer. Serious injury and damage may result.

- i** Utilize care in sliding the stacked washer and dryer units into place. See the stacking kit installation instructions for further information.

Side by Side

Dimensions for side by side recessed or closet installation are shown in the illustration below.



Clearance dimensions A through D are found on page 11.

Closet Ventilation Requirements

- E** Top 48 sq. in. (310 sq. cm)
- F** Bottom 24 sq. in. (155 sq. cm)

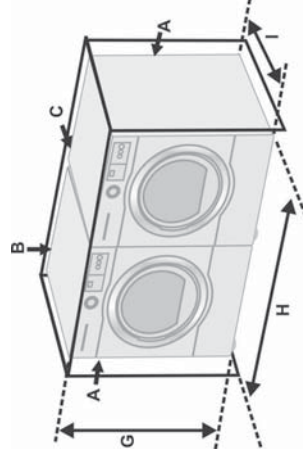
Required Installation Space

- G** Height 37.25 in. (94.6 cm)
- H** Width 54.75 in. (139.1 cm)
- I** Depth 37.25 in. (94.6 cm)

Height Requirement if mounted on a pedestal 52.25 in. (132.7 cm)

Under-Counter

Dimensions for under-counter installation are shown in the illustration below.



Clearance dimensions A through D are found on page 11.

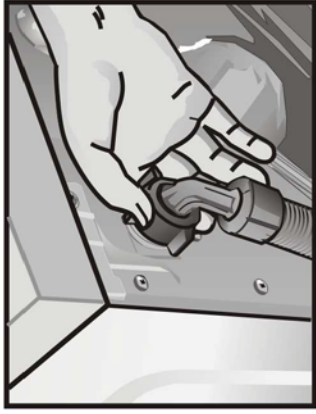
Required Installation Space

- G** Height 37.25 in. (94.6 cm)
- H** Width 27.50 in. (69.9 cm)
- Width* 54.75 in. (139.1 cm)
* washer and dryer side by side
- I** Depth 37.25 in. (94.6 cm)

- i** Appliance must not be mounted on a pedestal for under-counter installations.

Water Connection

This section applies only to dryers with a water connection. The connection is found at the top back of 500 and 800 Series Dryers with the Steam logo on the panel.



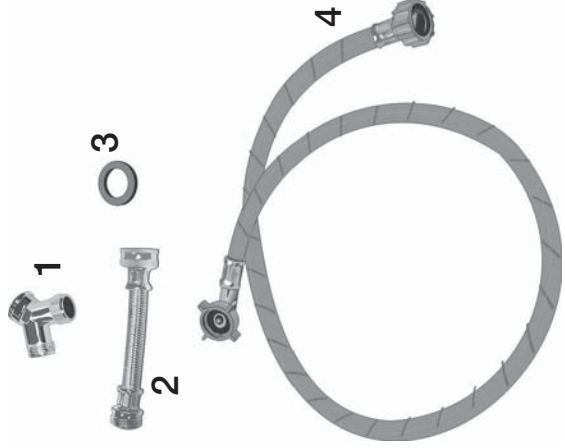
Attach the dryer water supply hose to a cold water faucet (the faucet must be located within 4 ft (1.2 m) of the water inlet valve on the back of the dryer).

It is recommended to have a water supply pressure of 20 – 100 psi (1.37 – 6.89 bar) for best performance.

Since most connections will share the cold water faucet used by the clothes washer, a “Y” connector is provided along with a short hose (if needed) in order to connect the water supply hose to the cold water faucet.

Steam Dryer Parts Supplied

The following parts are included with the shipment of your dryer:

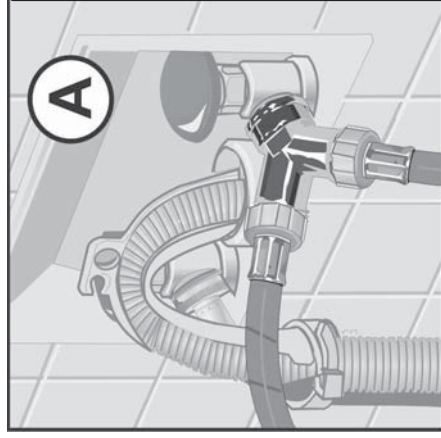


1. “Y” connector
2. Short metal–braided inlet hose
3. Rubber washer (inserted in female end of short inlet hose, shown separately here for purposes of clarity)
4. water supply hose

Connecting the Water Inlet Hose

i The dryer must be connected to the “Y” connector using the water supply hose provided. Do not use an old hose.

1. Turn off the cold water tap and remove the washer water supply hose from the tap.



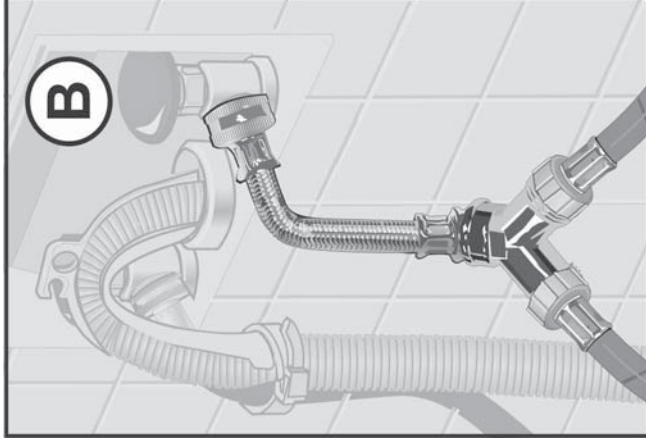
2. Check to be sure that the rubber washer is fully inserted and seated in the female end of the short hose prior to continuing. The rubber washer is shown as item 3 in the

supplied parts illustration. It is illustrated separately from the hose for clarity.

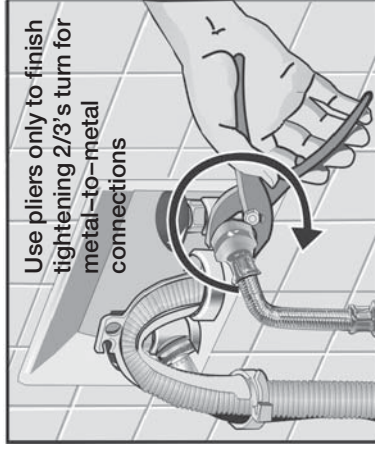
3. If space permits, attach the internally threaded (female) end of the “Y” connector directly to the cold water faucet (option **A** as shown in the illustration above) and continue to step 6.

For optional Installation with Y Connector

If the “Y” connector cannot be attached directly, use the short hose provided to connect the “Y” connector to the cold water faucet (option **B** as shown in the illustration below) , and continue with steps 4 through 5.



4. Attach the short hose to the cold water faucet. Tighten the connection by hand until the coupling is seated on the faucet.
5. Use pliers to tighten the connection an additional two–thirds turn.



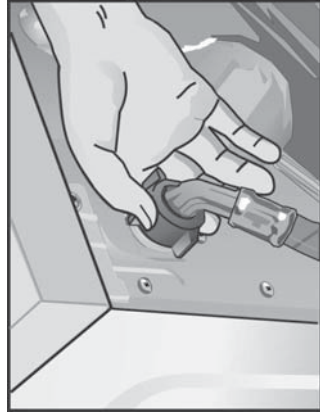
Use pliers only to finish tightening 2/3's turn for metal-to-metal connections

i Do not overtighten. Damage to the coupling could result.

6. Attach the “Y” adapter to the short hose. Tighten the coupling (by hand) until it is firmly seated on the hose.

- i** Do not use pliers to tighten plastic threaded fittings onto plastic or metal threaded connections.
7. Attach the washer cold water supply hose to the “Y” connector. Hand tighten only.
8. Attach the dryer water supply hose to the other coupling of the “Y” connector. Hand tighten only.
9. Tighten only metal-to-metal couplings on the “Y” connector and short hose an additional two-thirds turn using pliers.

- i** Do not overtighten. Damage to the coupling could result.



10. Attach the right-angle connector on the water supply hose to the inlet valve located at the top left of the dryer.

- i** Check to see that the rubber washer does not fall out, and is properly seated in the right-angle connector.

11. **Hand tighten** the coupling until it is seated on the connector. **Do not use pliers**, hand tighten only.

- i** Do not overtighten. Damage to the coupling could result.

12. Turn on the water faucet.

13. Check for leaks around the “Y” connector, faucet and all hoses.

Electrical Connection

⚠ WARNING

Power cord must be connected by a qualified technician or a licensed electrician only.

Connect to individual branch circuit.

Do not use an adapter.

Do not use an extension cord.

Do not remove ground prong.

Your dryer comes without a power supply cord. The power cord must meet the following requirements:

- UL listed in the USA
- 240 volt rated (minimum)
- 30 amps
- Type SRDT or DRT and marked for use with clothes dryers
- Five feet long (minimum)

⚠ WARNING

Power cord must be connected by a qualified technician or a licensed electrician only.

Use only a U.L. approved 30 amp power cord with strain relief clamp – note manufacturer’s instructions.

Do not reuse old power cord.

Cord must have closed loop or upturned end wire terminating connectors.

Do not make a sharp bend or crimp wiring/conductor at connections.

Only a 4-conductor cord shall be used when the appliance is installed in a mobile home, in a recreational vehicle, in a new branch circuit installation or an area where the local codes do not permit grounding through the neutral.

Additional grounding procedure

- Some local regulations may require a separate ground. In such cases, the required accessory ground wire, clamp and screw must be purchased separately. Contact your local dealer or customer service for additional details (see page 32).
- Never ground the dryer to plastic plumbing lines, gas lines or water pipes.

Grounding instruction

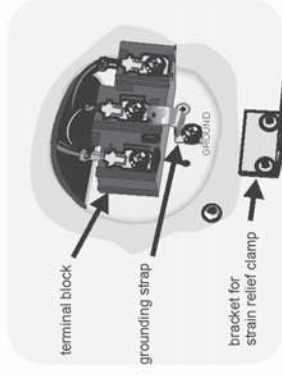
This appliance must be grounded. In the event of a malfunction or breakdown, grounding will reduce the risk of electric shock by providing a path of least resistance for the electric current.

Connecting the Power Supply (3 wire & 4 wire)

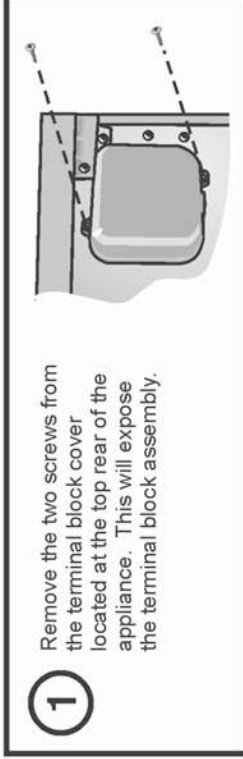
! WARNING

Improper connection of the equipment grounding conductor may result in electric shock. Have the appliance checked by a qualified technician or licensed electrician if you are in doubt as to whether the dryer has been properly grounded.

Do not plug the end of the power cord into a live receptacle before connecting power cord to appliance terminals and closing the junction/splitter box as described below.

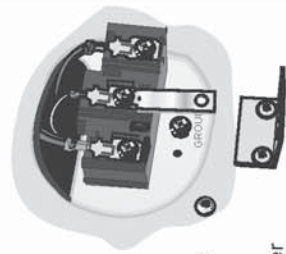


- 1 Remove the two screws from the terminal block cover located at the top rear of the appliance. This will expose the terminal block assembly.



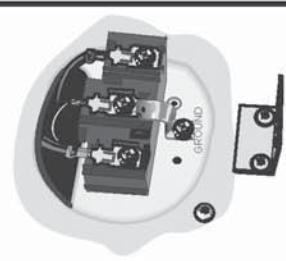
4 wire installation

- 2 Loosen the bottom screw of the grounding strap. Straighten the grounding strap so it is vertical. Replace the green screw in the GROUND terminal hole.
i Make sure the grounding strap does not touch the back panel to avoid tripping the circuit breaker during dryer operation.

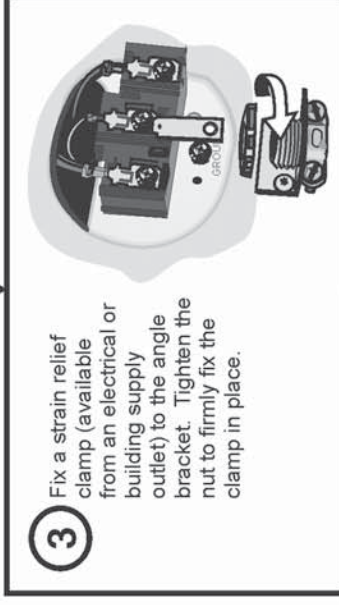


3 wire installation

- 2 Make sure that there is a grounding strap in place. The illustration shows the grounding strap properly positioned, with the green screw fastened to the ground terminal.

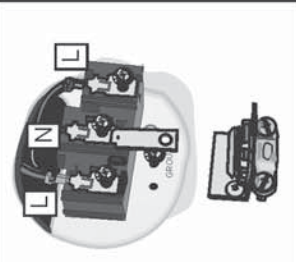


- 3 Fix a strain relief clamp (available from an electrical or building supply outlet) to the angle bracket. Tighten the nut to firmly fix the clamp in place.



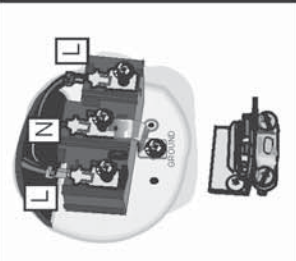
4 wire installation

- 4 Loosen the 2 screws labeled L and the single screw labeled N on the terminal block. Also loosen the screw on the GROUND terminal.



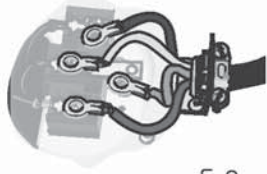
3 wire installation

- 4 Loosen the 2 screws labeled L and the single screw labeled N on the terminal block.



Continued on the next page

4 wire installation

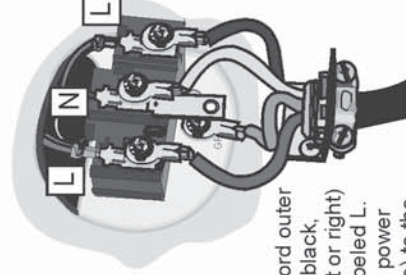


5

Thread the 4-wire cable through the strain relief clamp. Tighten the strain relief clamp screws (2.5 Nm) so that the power cord cannot be moved.



This will hold the power cord in place and will make it easier to correctly install the terminal screws.



6

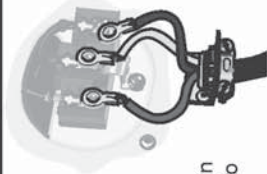
Attach the power cord ground conductor (green) to the GROUND terminal. Tighten the screw (2.5 Nm) so that the ground conductor is held securely in place.

Attach the 2 power cord outer conductors (red and black, either one can go left or right) on the 2 terminals labeled L. Attach the remaining power cord conductor (white) to the terminal labeled N.



Make sure the terminal screws align properly with the terminal nuts to avoid stripping the threads.

3 wire installation

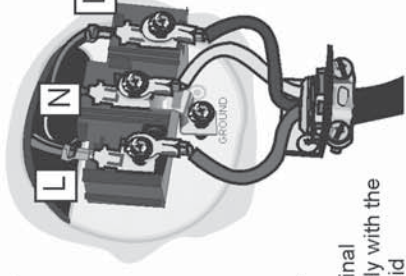


5

Thread the 3-wire cable through the strain relief clamp. Tighten the strain relief clamp screws (2.5 Nm) so that the power cord cannot be moved.



This will hold the power cord in place and will make it easier to correctly install the terminal screws.



6

Attach the 2 power cord outer conductors (red and black, either one can go left or right) on the 2 terminals labeled L. Attach the remaining power cord conductor (white) to the terminal labeled N.



Make sure the terminal screws align properly with the terminal nuts to avoid stripping the threads.

7

Tighten all 3 terminal screws (3 Nm) so that each of the wires is held securely in place.



WARNING

After tightening the screws, test to see that the terminals are held securely in place to assure proper electrical connection, otherwise a hazardous condition could result.

8

Check the strain relief clamp to make sure that it is tight and cannot be turned.

9

Replace the cover on the terminal block and fasten it in place.



Make sure the strain relief clamp is outside the cover!

10

The appliance is now ready to be plugged into a properly rated receptacle.

Exhaust air connection

The following warnings must be adhered to without exception.

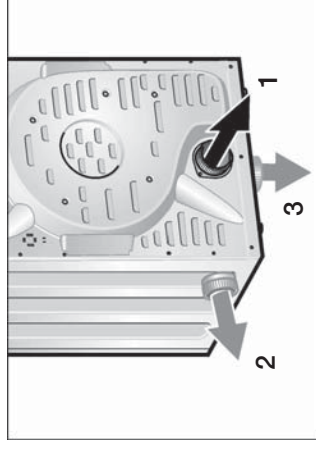


WARNING

1. To reduce the risk of fire, this dryer **MUST BE EXHAUSTED OUTDOORS**.
2. To reduce the risk of fire, do not use ductwork longer than recommended. Refer to the maximum ductwork length table (see page 18).
3. **DO NOT** use a plastic, metal foil, or any other non-metal duct with this dryer. Only rigid or flexible metal duct shall be used for exhausting. Metal foil and flexible metal ducting are **NOT** the same.
4. **DO NOT** use more than 2.4 m of flexible metal ducting.
5. **DO NOT** use a duct smaller than 4 inches (101.6mm) in diameter.
6. **DO NOT** exhaust the dryer into: a chimney, wall, ceiling, concealed space of a building, furnace, cold air duct, attic, crawl space, or any other ductwork used for venting.
7. **DO NOT** install a flexible duct in an enclosed wall, ceiling or floor.
8. **DO NOT** crush or kink the duct.
9. Do clean and inspect the exhaust system on a regular basis; at least once a year.
10. The exhaust duct must terminate with an approved exhaust vent hood to prevent back drafts or entry of birds or other wildlife.
11. **DO NOT** use exhaust hoods with magnetic latches.
12. **DO NOT** assemble the duct work with screws or fasteners that extend into the duct. They serve as an accumulation point for lint. Joints should be secured with aluminum tape.
13. **DO NOT** use a DEDPV (booster fan) device with this appliance.

Exhaust air outlet on the dryer

The dryer is delivered with an exhaust air outlet on the rear of the appliance. Alternative exhaust duct connection options are illustrated below. Select one of these options to make best use of the space available or an existing exhaust ductwork system.



- 1 – Exhaust air outlet on the rear of the appliance (standard)
- 2 – Exhaust air outlet on the side (optional)
- 3 – Exhaust air outlet on the underside of the appliance (optional)

Special exhaust air connections can be obtained from your dealer, part supplier or customer service for either connection type (see page 19).

- Side exhaust kit
- Bottom exhaust kit

A qualified technician should change the exhaust air outlet to the optional connection location.

Ductwork

The dryer vent system moves moist air away as your clothes tumble dry. You can shorten drying times, save energy and help ensure the safety of the system by making sure your dryer's exhaust duct system is properly installed and maintained.

Important Points to Consider:

- ❑ Keep exhaust duct runs (total length of the exhaust duct system from the dryer to the exhaust hood outside) as short as possible (refer to the table "Maximum Ductwork Length" on page 18.)
- ❑ Use the minimum number of elbows needed when installing the exhaust duct system. Avoid placing two 90 degree elbows adjacent to one another.

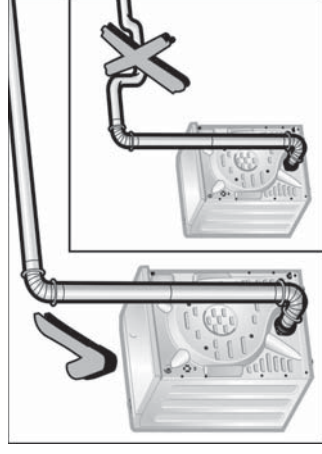
- ❑ Check and clean the exhaust duct system and exhaust hood at least once each year, and any time you suspect dryer performance is decreased.

Remove accumulated lint to prevent diminished air flow or clogging of the system. Professional cleaning is recommended annually and when attaching your dryer to a previously used exhaust duct system.

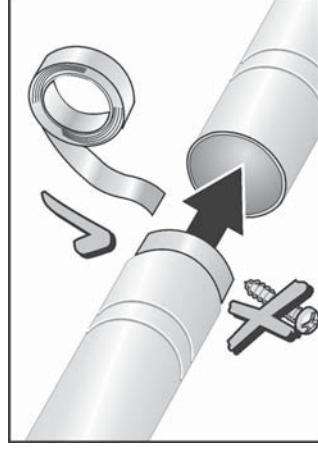
- ❑ Replace any plastic or metal foil venting sections with rigid metal or flexible metal ducting. Rigid metal ducting is recommended.

i Correct exhaust system installation is the responsibility of the consumer.

i **Problems that result from incorrect installation are not covered by the appliance warranty.**



Exhaust ducting which is longer than specified in the maximum ductwork length table on page 18 is not permitted. Not adhering to this table will extend drying time, cause lint to accumulate and affect dryer performance and life-time.



All joints should be tight to avoid leaks. The male end of each duct section must point away from the dryer. Whether connecting to an existing venting system or a new venting

system, make sure that all ducting is clean and free of lint.

The maximum permitted length for rigid duct and for rigid duct used with flexible metal duct is shown in the table below. If using flexible metal ducting to connect the appliance to the ductwork system, the total length of flexible metal duct used shall not exceed 2.4 m and can only be used to connect the dryer to the ductwork system. As the table below shows, the maximum overall ductwork length is reduced if flexible ducting is used.

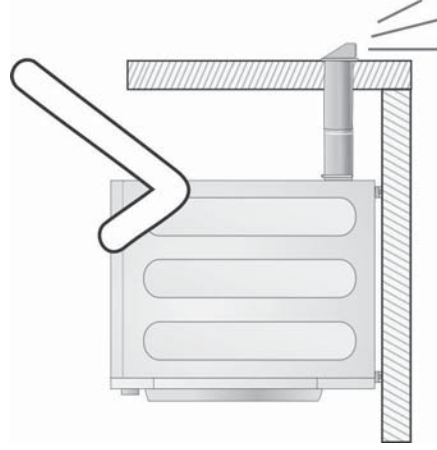
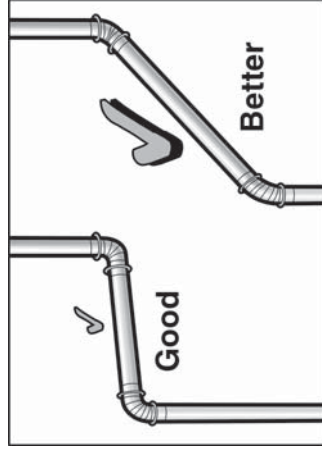
Maximum Ductwork Length

Number of 90° Turns or Elbows	Rigid Duct	Flexible Duct in Combination with Rigid Duct
0	66 ft. (2011 cm)	45 ft. (1372 cm)
1	56 ft. (1707 cm)	36 ft. (1097 cm)
2	48 ft. (1463 cm)	29 ft. (884 cm)
3	39 ft. (1189 cm)	22 ft. (671 cm)
4	30 ft. (914 cm)	16 ft. (488 cm)

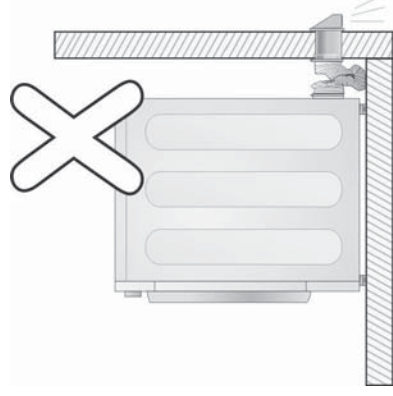
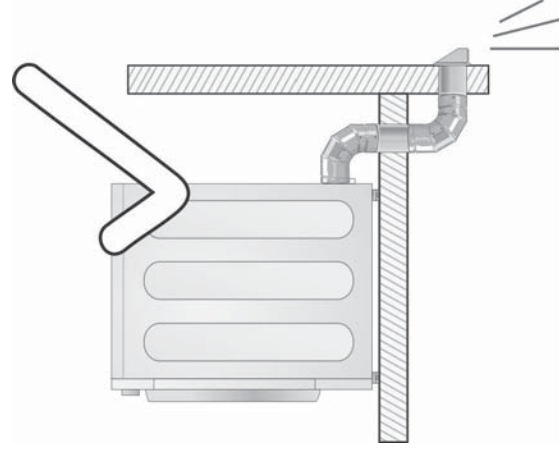
Note:

Side and bottom exhaust installations have a 90° turn inside the dryer. Take this into account when using the table above.

The use of more than two 90° turns is not recommended. For best performance, separate all turns by at least 4 ft. of straight duct, including distance between last turn and exhaust hood.



Keep exhaust ductwork as short and as straight as practical. This will increase air flow and result in shorter drying times.

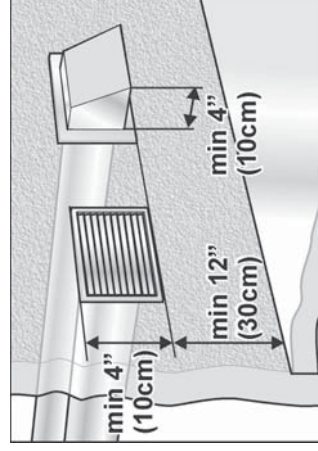


Do not allow exhaust ductwork to be crushed or otherwise constricted. Constricted ductwork will reduce airflow and result in longer drying times. Constricted ductwork could reduce exhaust airflow enough to cause an error condition, halting the dryer cycle. Check to be sure the exhaust duct is not crushed or constricted.

Exhaust vent hood

The exhaust duct must end with an approved exhaust vent hood with swing out damper(s). DO NOT use an exhaust vent hood with magnetic latches.

To avoid exhaust restriction, the outlet must be a minimum of 12 inches (30 cm) above ground level or any other obstructing surface.

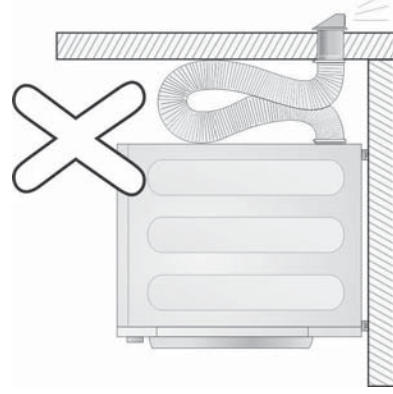


Required Ductwork Parts

The parts required for the exhaust air system (elbows, lines, exhaust air outlets) are not included in standard delivery of the dryer (see the Accessories section for information on ordering parts.)

Professional installation of ductwork is recommended.

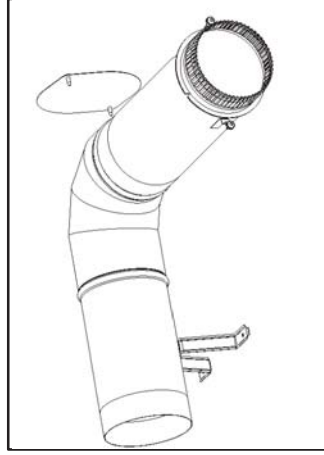
Do not allow exhaust ductwork to be longer than necessary. Longer ductwork will reduce airflow and will result in longer drying times.



Accessories

The following optional accessories for your dryer may be obtained from customer service (see page 32) or from your local dealer. Please follow the installation instructions supplied by the appropriate manufacturer.

Side exhaust kit

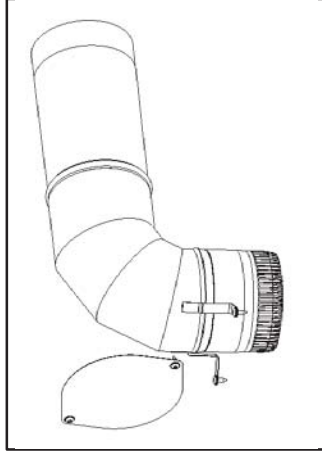


part no. **WTZ 1265**

Note:

See notes on maximum number of elbows on page 18.

Bottom exhaust kit



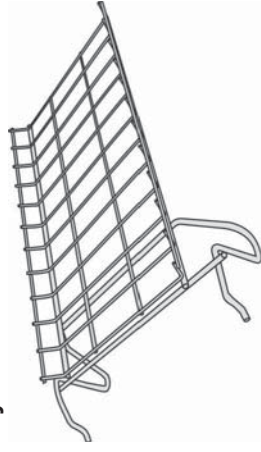
part no. **WTZ 1270**

Note:

See notes on maximum number of elbows on page 18.

- i** The bottom exhaust kit cannot be used with a pedestal installed on the dryer or if the dryer is stacked with the washer.

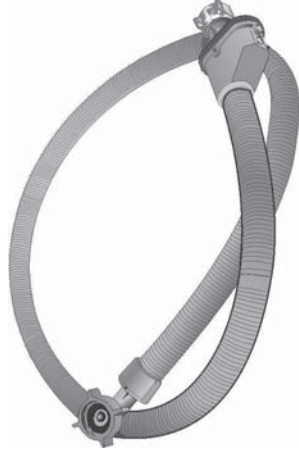
Dryer rack



part no. **WTZ1620**

Use the dryer rack to dry washable woolen textiles (e.g. sweaters) and shoes.

Aquastop™ Hose



part no. **WTZ1630**

The Aquastop™ hose is an external containment technology that prevents potential flooding if the hose leaks. If the Aquastop™ hose leaks, a red mark is displayed and the water inlet is blocked. An Aquastop™ hose that has activated cannot be reset. The kit includes one Aquastop™ hose.

Pedestal Mounting Kit

A storage pedestal with a pull-out drawer is available as an accessory for your dryer. The pedestal adds approximately 15 inches to the height of the dryer. See page 11 for dimensions.



WARNING

Appliance must not be mounted on a pedestal in stacked installations.

part no. **WTZ 1610** is for a solid white color pedestal.

Other color pedestals may be available.

Reference part no. WTZ 1610“X” in which the X designates an available color (eg: A for Anthracite, S for silver). Please inquire at your dealer for color choices available.

You may also consult a current product catalog or visit our website at: www.boschappliances.com

If mounting the dryer on a pedestal, follow the instructions supplied with the pedestal.

Stacking Kits

There are two stacking kits available.

Basic Stacking Kit

This kit anchors the dryer on top of the washer and adds approximately 0.63 inches (16 mm) to the stacked height. See page 12 for dimensions.

part no. **WTZ 1601** is for the basic mechanical stacking kit.

Pull-Out Shelf Stacking Kit

This kit serves to stack the dryer on top of the washer and also provides a pull-out shelf. This kit adds approximately 1.52 inches (38.6 mm) to the stacked washer/dryer height. See page 12 for dimensions.

This kit may also be combined with the pedestal mounting kit to provide a pull-out shelf as well as a combined increase in height of the dryer of approximately 16.5 inches.

- i** The pedestal can not be combined with the pull-out shelf stacking kit in stacked washer/dryer installations.

part no. **WTZ 1600** is for the solid white pull-out shelf stacking kit.

Other color pull-out shelf stacking kits may be available.

Reference part no. WTZ 1600“X” in which the X designates an available color (eg: A for Anthracite, S for silver). Please inquire at your dealer for color choices available.

Preparing to transport the dryer – step by step

- i** These procedures should only be performed by a qualified person.

1. Rotate the program selector to “OFF”.
2. Disconnect the power supply (turn the circuit breaker off, unplug the appliance)
3. Turn off the water faucet connected to the water supply hose (Steam models only). Disconnect the water supply hose.
4. Disconnect the exhaust duct from the exhaust air outlet on the dryer.
5. Collect any accessories and package them for shipment with the appliance.
6. Close the door and secure with adhesive tape.
7. Screw the height-adjustable feet of the dryer into the housing to prevent them from being damaged during transportation.
8. **Reinstallation of the Dryer at the New Location** – refer to the Installation Instructions in this manual (see page 7).

OPERATING INSTRUCTIONS

Before using

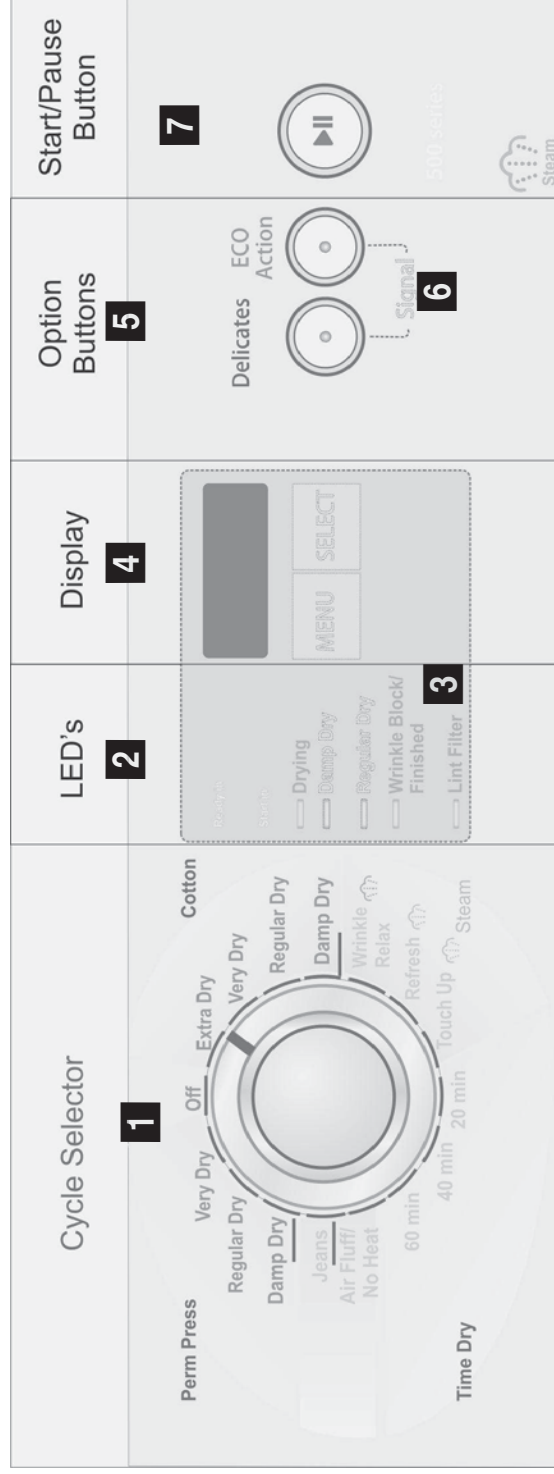
WARNING

To reduce the risk of fire, electric shock, or injury to persons, read the **IMPORTANT SAFETY INSTRUCTIONS** before operating this appliance.

WARNING

Before using your dryer, read and follow all installation and operating instructions.

Panel



1 Cycle Selector

Switches the machine on and off and selects the program (see page 22). Can be turned in both directions.

To switch off the dryer, rotate the cycle selector to “Off”.

2 LED Indicator Lights

LED'S light up in sequence to show the current moisture state of the drying process.

Wrinkle Block®/Finished – at the end of the drying cycle an acoustic signal sounds and the Wrinkle Block®/Finished LED lights up. The drum rotates at specific intervals for one hour to prevent the laundry from creasing (see page 23).

3 Lint Filter LED

Blinks as a reminder to clean the lint filter after use. Blinks for 10 seconds when the door is opened after a cycle ends, or in the event airflow is reduced enough to create a “CLn” or “E:12” error (see troubleshooting guide, page 30).

4 Display

300 and 500 Series

LED countdown indicates the estimated remaining time of a running cycle (in minutes).

800 Series

Indicates the settings of additional options and the estimated remaining time of programs. (See page 25)

Additional Options

Menu selects one of the additional options

Select changes the settings of the selected option

5 Option buttons

Add functions to the cycle selected. The option button LED is lit when the option is selected. Press the option button again to turn the option off (LED turns off).

Delicates: Press for temperature–sensitive textiles (e.g. acrylic fibers). The temperature of the drying process is reduced, the drying time is extended correspondingly.

ECOAction: Press for additional energy savings (use only for cotton and permanent press cycles). Press the option button prior to starting an automatic cycle.

6 Signal

300 and 500 Series

Press both option buttons at the same time to enable the acoustic signal. When the cycle is finished, an audible beeping tone will be emitted (see page 22). Press both buttons again to disable the signal.

800 Series

The 800 Series signal is set using the LCD menu (see page 25).

7 Start/Pause Button

Starts, interrupts and ends the drying process.

Start/Pause LED Status

Lit Red: Program is running and “Pause” can be activated.

Blinking: Settings can be changed, the drying cycle can be started, or program is in “Pause” mode.

Not Lit: Cycle is finished or there is no cycle selected.

Additional Safety Information



WARNING

Always follow the **IMPORTANT SAFETY INSTRUCTIONS** (see page 5).

Protection of the environment

Tips on saving energy

To save energy, money and time, Bosch recommends the following:

- **Drain the laundry thoroughly!**
Before drying, spin the laundry thoroughly in the washing machine. Use the highest possible spin speed for the type of laundry! Higher washer spin speeds reduce residual moisture and decrease drying time and energy consumption.
- **Use optimum load!**
Use larger loads, up to the maximum recommended loads for the cycle and laundry type. However, do not exceed maximum recommended load capacity.
- **Clean the lint filter!**
Check the lint filter before using the dryer each time and clean the filter as needed. Making sure the lint filter is clean before beginning each drying load results in improved airflow and reduced drying time. (see page 27)
- **Ventilate the room!**
Provide an adequate supply of fresh air during the drying process.
- **Do not dry unsuitable materials!**
Do not dry rubberized or air-tight items.
- **Clean and inspect the exhaust system on a regular basis!**
Blockages may extend drying time or may cause the dryer to malfunction.

Temporary disconnection of the dryer

Operate your dryer only when you are at home. If you plan to go on vacation or are not using your dryer for an extended period of time, you should:

1. Turn off the circuit breaker.
2. Unplug the power supply plug if possible.
3. Clean the lint filter.
4. Turn off the water supply (applies only to Steam dryers).

Laundry

Identification of fabrics

Observe the treatment symbols on the textile labels. They provide valuable information as well as limitations about the drying process.

Do not dry the following textiles in the dryer:

- Air-tight textiles (e.g. rubberized)
- Delicate fabrics (silk, synthetic curtains)

i Dry woolen or wool-rich textiles with the dryer rack only!

i Use the time program “Air fluff/No heat” to dry articles containing foam rubber or similarly textured rubber-like materials.

Drying tips

In principle, the following applies to all drying programs:

- To ensure a uniform drying result, sort the laundry according to fabric type and drying cycle selected.
 - Fasten zippers, hooks and eyes, loose belts, apron strings, etc.
 - Do not overdry easy-care laundry to reduce the risk of wrinkling!
Hang laundry up promptly to dry in the air.
 - Do not iron laundry immediately after drying. Place the laundry in a pile for a short while. Residual moisture will then be distributed uniformly.
 - Knit textiles (e.g. T-shirts, sweatshirts, and other similar types of laundry) often shrink when dried for the first time. Do not use the “Very dry/Extra dry” cycles the first time you dry these types of laundry to reduce potential shrinkage.
- Some items such as these can also shrink during later laundering. Use caution in cycle selection to avoid shrinkage.

Cycle selection

For optimum drying results your dryer offers several cycle groups and additional options.

Automatic cycles include Regular/Cotton and Permanent Press. Cycle selection is based in part on the laundry fabric type. These cycles are controlled via moisture sensors. Cycle time is determined by the measured degree of moisture in the laundry and on the degree of dryness selected (e.g. Damp dry, Regular Dry, Extra Dry).

Time cycles run for a length of time specified by the user. The Air fluff/No heat timed cycle uses ambient air (room temperature) without adding heat and runs for approximately 20 minutes, depending on the specific dryer model.

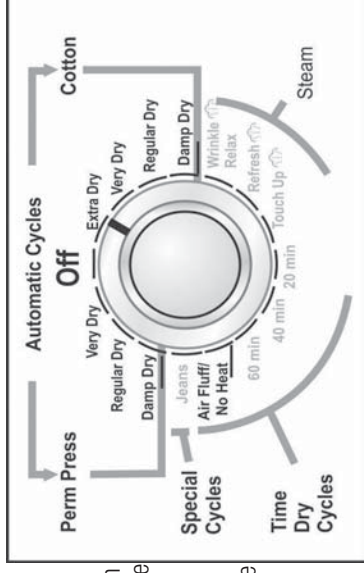
Special cycles are custom designed for specific types of fabric such as wool or jeans. **Wool or woolen products should only be dried using the dryer rack.**

Steam cycles are best suited for smoothing out wrinkles and reducing odors. These cycles should be used with loads consisting of three to four items made of wrinkle free cotton, cotton/polyester blend, cotton knit pullovers or synthetics. **Steam** programs are available only on select models.

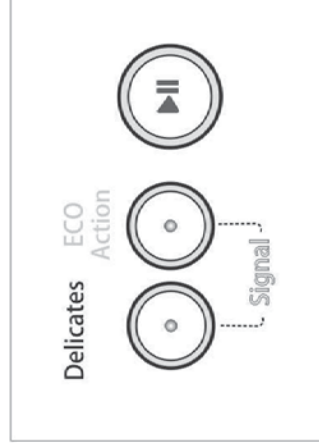
During Steam cycles a small amount of water is sprayed into the drum while tumbling the laundry load with heat. This process is repeated, followed by additional tumbling and a brief cool down period. The heat level and time are preset for these cycles.

Note: Results may vary with fabric type. Garments that are 100% cotton and have wrinkle-resistant finish may give better results.

If the nozzle stops spraying during one of the **Steam** cycles (symptoms would be water is not seen spraying into drum, clothes are less wrinkle-free than they customarily are with this function) check to be sure the nozzle is not clogged. Lint may accumulate to block the nozzle tip or hard water may cause buildup on the nozzle (see page 29).



Option Buttons



Delicates

Press the "Delicates" button for temperature sensitive textiles. Observe the care information or symbols on the textiles. The temperature of the drying process is reduced and the drying time is extended by using this option.

Signal

300 and 500 Series Dryers

Your dryer outputs an audible beeping signal to alert the user of certain events. Enable the signal by pressing the "Delicates" and the "ECOAction" option buttons simultaneously.

To disable the signal, press both option buttons (again pressing both at the same time). Each press of the two option buttons together toggles the Signal on or off.

It is not necessary to hold the buttons in after pressing them.

The signal emitted will vary according to the following table.

Signal	Type
Start	Short tone
End	Sequence of short tones
Incorrect Selection	Sequence of long tones
Warning of malfunction	Sequence of long tones

i

The signal "Warning of malfunction" is active regardless of whether or not the signal has been disabled.

ECOAction

Your dryer has an "energy savings" ECO option. This option is used only with cotton and permanent press automatic cycles. Less heat is applied, and drying time is extended. Press the option button prior to starting an automatic program.

i The length of the ECO cycle is affected by the load size, textile type and climatic conditions. Use this option with load sizes up to 1/2 load.

i Combining with the "Delicates" button can produce even more savings.

LED Indicators of Cycle Sequence

The dryer uses an electronic scanning system for all cycles except the time cycles. A moisture sensor continuously checks the moisture in the laundry. Drying ends automatically as soon as the selected degree of dryness has been reached.

The current degree of drying is represented by LED indicator lights. Each light is illuminated in succession as drying progresses.

The LED to the left of “Drying” illuminates when the selected drying cycle begins. On select models, LED lights for “Damp Dry” and “Regular Dry” indicate as each stage is reached.

When the load is finished the LED beside “Wrinkle Block®/Finished” is illuminated.

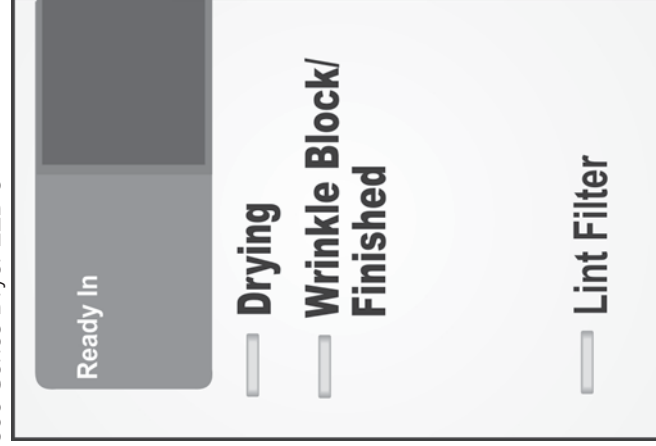
“Wrinkle Block®/Finished”

The drum continues to rotate at specific intervals to help decrease wrinkling of the laundry load. Remove the laundry when the cycle is finished, or within the Wrinkle Block® period for best results.

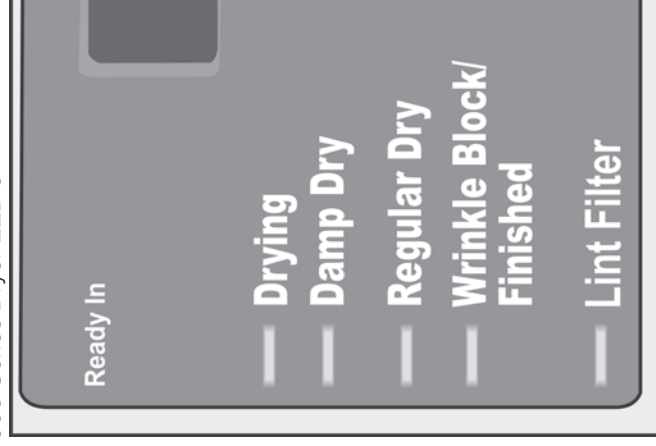
Wrinkle Block® begins when the drying phase ends for every cycle except the wool cycle. Following the end of a drying cycle, Wrinkle Block® turns the drum for about 16 seconds every two minutes for the first 10 minutes, then about 16 seconds every 5 minutes for the next 50 minutes.

LED Indicators Vary by Model

300 Series Dryer LED's



500 Series Dryer LED's



800 Series Dryer LED's



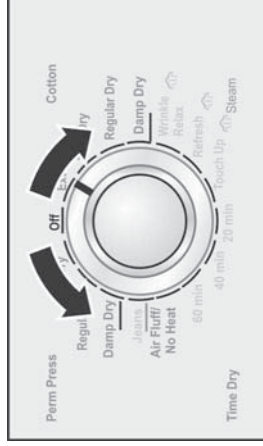
i If any LED or button is illuminated on the panel when the cycle selector is turned to the “Off” position, please turn off the circuit breaker and call customer service.

Cycle Selection Table

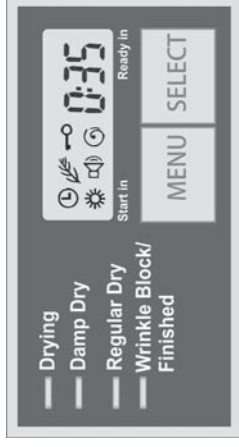
Automatic Programs	
Cotton For Cottons and coloreds made of cotton or linen. Press the “Delicates” option button for temperature-sensitive textiles.	
Damp dry	Bed linen, table linen, towels Bed linen and table linen, towels, T-shirts, sports shirts, overalls T-shirts, sports shirts, dresses, trousers, overalls, underwear
Regular dry	Terry towels, kitchen towels, hand towels, bed linen, underwear, cotton socks
Very dry	Terry towels, kitchen towels, hand towels, bed linen, underwear, cotton socks
Extra dry	Terry bathrobes and terry bed linen,
Permanent Press Easy-care (drip-dry) laundry made of synthetic and blended fabric (e.g. cotton/polyester). Press the “Delicates” button for very temperature-sensitive textiles.	
Damp dry	Trousers, dresses, skirts, shirts, blouses, leggings, sports clothing with synthetic-rich fibers, lingerie
Regular dry	Shirts, blouses, sports clothing
Very dry	Bed linen and table linen, track suits, comforters, blankets
Steam Cycles	
Steam Refresh	Cotton, cotton–polyester blends, common knits and synthetic shirts, cotton blend pants, skirts, t–shirts and pullovers. Wrinkle free fabrics give best results. Helps smooth out wrinkles and reduce odors. Use with a light load, such as one consisting of 3 to 4 shirts. Program time is about 16 minutes.
Steam Wrinkle relax	Helps smooth out wrinkles. Use with a light load, such as one consisting of 3 to 4 shirts. Program time is about 12 minutes.
Steam Touch up	This program is used to refresh a cotton textile load that has been dried and has been left in the drum of the dryer at the end of the cycle overnight. This 20 minute program refreshes the load to help smooth out the wrinkles caused by the load pressing down under its own weight. Clothing containing foam, rubber, or plastic must be refreshed on a clothes–line or by using the Air–fluff/No heat cycle as these articles may ignite due to the heat of the Steam program.
Special Programs	
Wool	Washable woolen textiles (e.g. sweaters, woolen pullover, skirts) Dry woolen or wool-rich textiles with dryer rack only!
Jeans (500 Series)	Heavy jean fabric
Dark Color (800 Series)	Dark colored textiles (e.g. heavy, dark clothes (cotton))
Active Wear (800 Series)	Small loads, loads that need a short drying time (e.g. sports shirts, work–out clothes (polyester, nylon, synthetic))
Time Programs	
20, 40 min., 60 min. (300/500 Series)	Pre-dried textiles with low moisture content, individual small items, e.g. bath towels, bathing suits, dish cloths. For the smallest loading condition from 0.22 lb – 0.44 lb (i. e. one small towel), for this a time dry program should be selected.
Medium + required drying time (800 Series)	Press the “Delicates” button for temperature-sensitive textiles option. – Cottons and coloreds made of cotton or linen.
(800 Series) If you choose a program with variable time (e.g. time programs, wool care) the display starts to flash. You have to set the time.	
Air fluff / No heat (300/500 Series)	Freshening or airing little–worn items of clothing and drying of extremely sensitive textiles.
Air fluff / No heat + required time (800 Series)	For all textile types including foam rubber (e.g. pillows, stuffed toys), plastic (e.g. shower curtains, table clothes), rubber (e.g. backed rugs), sheer nylon, olefin.

Additional options 800 Series

- i** Additional options can only be set after a drying cycle has been selected. Turn the cycle selector to the desired drying cycle, then select desired options from the LCD menu.



Select the option to be changed with the “Menu” button. Press the button to move to the next option on the display. The active symbol flashes.



When actively displayed, a setting can be changed with the “Select” button. Press the “Select” button to display the next possible setting.

- i** Pressing the “Menu” button while an option is displayed saves the new setting.
- i** If you don't press any button for 10 seconds, the settings are saved automatically.

The setting for the selected option is displayed on the right hand side of the LCD display.

Symbol	Function	Settings	Explanation
	Sets the delay start time of the dryer (Start in .. hours!)	0–12 h (0.5 h steps)	
	Extra care (more gentle than “Delicates”)	On/Off	If you have chosen the additional option “Extra care”, the “Delicates” indicator light illuminates. Pressing the “Delicates” button cancels the additional option “Extra care”.
	Child-proof lock (only effective while the program is running)	On/Off	This additional option allows you to lock your settings to prevent unintended use of the dryer. To start the dryer when the Safety guard is active: Press and hold the “Start/Pause” button for 4 seconds. To unlock this additional option when the dryer is running: Press and hold the “Start/Pause” button for 4 seconds.
	Extra Drying Time User selectable degree of dryness	0, 1, 2, 3 (0=default, 1=dryer, 3=dryest)	If you have chosen one of the Extra Drying Time values (steps 1 to 3), the symbol ☀ is displayed. 0 is the standard setting – symbol ☀ is not displayed.
	Volume of the end signal and the damp dry signal	Off, medium, maximum	Your dryer outputs different signals for certain events as listed below.
Signal Behavior at the End of the Selected Cycle			
The signal will sound when the cycle is finished to notify the user that the cycle has ended. Wrinkle Block® will tumble the load periodically for approximately one hour after the cycle ends. The signal will sound at intervals during Wrinkle Block® as a reminder the load is finished.			
	Spin speed optimized drying time coordinates the remaining time displayed for the dryer to the spin speed at which the laundry was previously spun in the washing machine	400 600 800 1000 1200	To optimize the remaining time display, the spin speed at which the laundry was previously spun in the washing machine can be entered by the user.
Event		Signal	
Enable Signal		Short tone	
Disable Signal		Two short tones	
Start of Cycle		Short tone	
End of Cycle (or during Wrinkle Block®)		Sequence of short tones	
Mal-Operation		Sequence of long tones	
Warning of Malfunction		Sequence of long tones (maximum volume)	

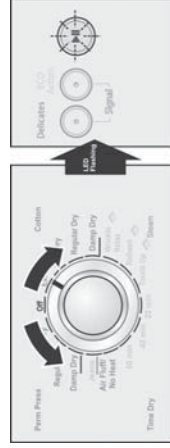
Operation

Using the dryer

1. Open the door.
2. Check lint filter.

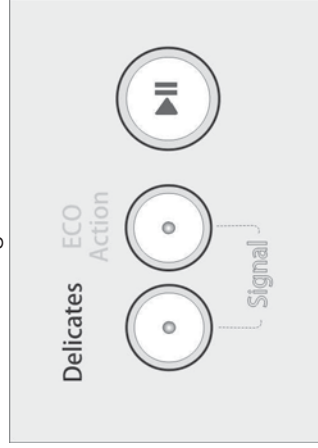
The filter should be cleaned before drying each laundry load. Cleaning the filter reduces the drying time and saves energy. (See page 27 for lint filter cleaning instructions).

- i** Bleach may cause discoloration of the dryer's colored surface. Therefore, it is important to keep bleach away from the colored surface of your dryer. If any bleach spills on the surface, immediately use a moist paper towel to thoroughly clean it.



3. Rotate the cycle selector to the desired drying cycle. Select the program which corresponds to the laundry in the dryer from the cycle selection table (see page 24). The dryer light turns on inside the drum when a cycle is selected.

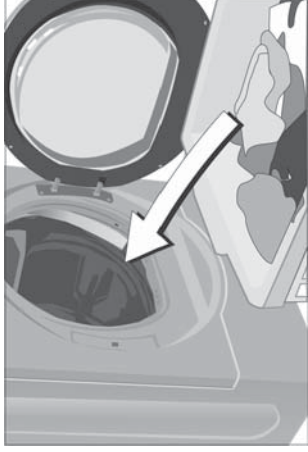
- i** The “Start/Pause” indicator light starts flashing.



4. If required, select an available option (“Delicates” or “ECOAction”) by pressing the corresponding button (see figure above).

The effect of each option button is explained on page 22.

- i** The estimated remaining time will be displayed.



5. Place laundry in the empty drum. Put each piece of laundry into the machine separately to reduce clumping together.

For best results, the laundry to be dried must be sorted according to type of laundry and desired degree of drying. For further information, see page 21.

- i** Observe clothing and fabric manufacturers' laundering instructions. If drying woolen clothing and shoes, see the information on page 28.

- i** **Ensure that there is only laundry in the drum. Check that all items are completely in the drum and that none are caught between the door and the dryer housing or door seal.**

6. Close the door.

The “Start/Pause” indicator light continues flashing.

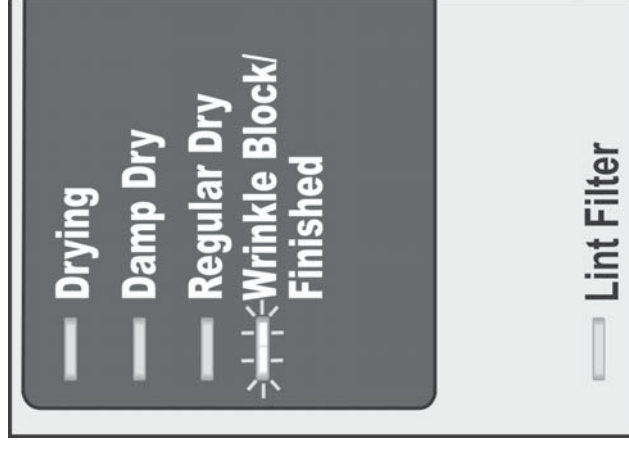
7. Press the “Start/Pause” button. The selected cycle begins and the “Start/Pause” indicator light stops blinking and stays lit.

- i** If the door has not been closed properly, the dryer will not start.

- i** The cycle starts with an acoustic signal (if set). See page 22 for how to set the signal for dryers with an LED display, and page 25 for how to set and adjust the signal for dryers with an LCD display.

Cycle Progress LED Indicators

If a standard drying cycle (not a time dry cycle) has been selected, the indicator lights indicate the progress of the cycle sequence. The LED sequence shown below is for the 500 and 800 Series dryers. The 300 Series dryer has LED's for “Drying” and “Wrinkle Block®/Finished”.



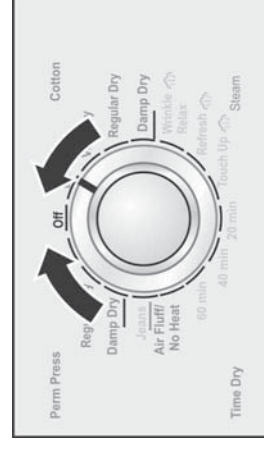
- i** At the end of the cycle, an acoustic signal is emitted (if set) and the LED “Wrinkle Block®/Finished” illuminates.

The acoustic signal will continue to sound intermittently during Wrinkle Block®.

- i** When the drying process is complete (cycle or selected time ended), the drum rotates at specific intervals for 1 hour due to the Wrinkle Block® feature. This prevents the laundry from creasing. The laundry remains loose and fluffy until it is removed. The laundry should be removed before this time has elapsed.

8. Open the door.

9. Take the laundry out of the dryer.



- 10.** Rotate the program selector to “Off”.

The dryer light goes out.

- 11.** Clean the filter.

The filter should be cleaned after each drying process. Cleaning the filter reduces the drying time and saves energy.

- 12.** Close the door.

Cleaning the lint filter

A dirty filter extends the drying time and increases energy consumption. The filter should be cleaned before each laundry load.

If a warning signal and a “CLn” or “E:12” warning message are emitted during a drying program, clean the filter immediately and check the exhaust duct.

- i** The program interrupts automatically.

Do not rinse or wash the screen to remove lint. Wet lint is harder to remove. Roll the dry lint off with your fingers. You can moisten your fingers lightly for better results.

To clean the lint filter follow these steps:

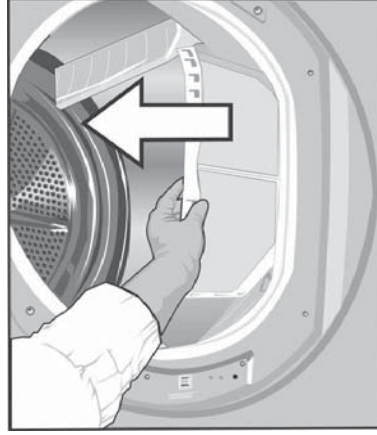
- 1.** Switch off the dryer by turning the program selector to “Off”.



CAUTION

The inside of the door heats up during the drying process. Avoid touching any heated surface until it has time to cool.

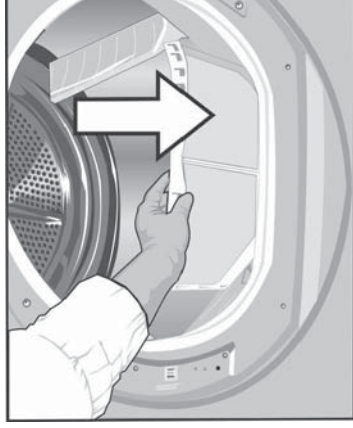
- 2.** Open the door.
3. Remove the lint filter.



- 4.** Remove lint by stroking your hand over the filter.



- 5.** Insert the filter.



- 6.** Close the door.

- i** Do not operate the dryer without the lint filter in place!

Removing Residue Buildup

Laundry detergent and fabric softener can build up on the lint filter screen. This buildup can cause longer drying times. Use of dryer sheets is not recommended. If you choose to use dryer sheets, please clean the lint filter periodically to remove residue.

- i** If lint falls off the screen while it is in the dryer, residue buildup probably needs to be removed.

The filter should be lightly scrubbed at least twice a year with warm soapy water. A filter with residue buildup will tend to hold water even though the mesh is lint free. The filter is clean when it no longer holds water. The filter must be dried thoroughly before being inserted back into the dryer.

To remove residue, follow these steps:

- 1.** Clean all lint from the lint filter.
- 2.** Wet both sides of the filter mesh with hot water.
- 3.** Wet a soft nylon brush with hot water and liquid detergent.
- 4.** Lightly scrub the lint screen with the brush to remove residue buildup. Be careful not to damage the screen.
- 5.** Rinse the screen with hot water.
- 6.** Thoroughly dry the lint screen with a clean towel.
- 7.** Replace the lint filter back into the dryer.

- i** Do not operate the dryer without the lint filter in place!

Using the dryer rack

(Option, see page 19)

Use the dryer rack to dry washable woolen textiles (e.g. sweaters) and shoes. The dryer rack remains stationary while the drum rotates.

Damp wool should not be tumbled dry in the drum, as it has a tendency to matt and shrink. Drying shoes without a rack could damage the drum.

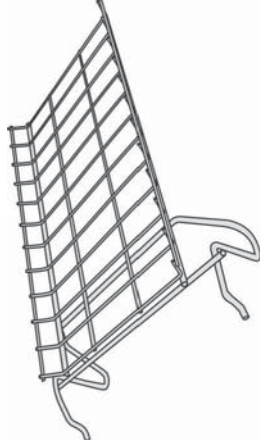
- i** The dryer rack must be used for drying with the wool cycle. If the rack is not used, the sensor will shut the dryer off after approximately 3 minutes and the display will show “----”.

NOTICE

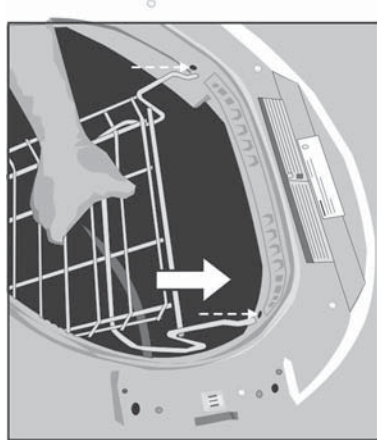
Dry only one item of clothing or one pair of shoes – maximum dry load 2.2 lbs (1 kg)! The laundry must have been spun! Only dry prewashed shoes! The laundry must not touch the drum! It could jam and be damaged. After using the dryer rack, take it out of the dryer immediately.

Inserting the dryer rack

1. Open the dryer door.
2. Check that the drum is empty.



3. Hold the dryer rack by the center section as shown below and insert it horizontally all the way into the drum. Then bring it back towards the front and align the forward ends with the two holes beside the lint filter.



4. With the forward ends engaged in the holes, lower the back of the rack so that it sits in place, braced against the inner surface of the dryer housing.

Drying laundry items on the dryer rack

1. Fold your laundry so it fits on the dryer rack.
2. Laundry items should be placed so they lay loosely on the dryer rack. Do not stack laundry so that it is compressed on the rack. Do not allow the laundry items to touch the drum. Laundry items must only touch the rack and should not hang over the edges of the rack.
3. Close the door, making sure no laundry is caught between the door and the housing or door seal.
4. For wool items, select the Wool cycle, if available. For other items, select one of the time cycles.

Select the drying time according to the laundry type.

Drying shoes on the dryer rack:

1. Prepare shoes.
 - Clean shoes to prevent the drum from becoming soiled.
 - If preparing sports shoes for drying, extend the tongue.
 - Loosen or remove shoe-laces.
 - Remove insoles and heel pads.
2. Place shoes on the rack.
 - Directly on the dryer rack or
 - Roll up a towel and place the heels of the shoes on the towel. This will ensure a more uniform drying result.
3. Close the door.
4. Press the “**Start/Pause**” button. The “Start/Pause” indicator light illuminates.
5. If the shoes still contain residual moisture after the indicated drying time:
 - Reorient the shoes on the drying rack.
 - Restart the program and reduce the drying duration depending on the degree of residual moisture.
6. After drying, air the shoes at room temperature for approximately 30 minutes.
7. Take the dryer rack out of the drum.

Cleaning and care

Cleaning the dryer

WARNING

TO AVOID RISK OF EXPLOSION!

Never use solvents or highly flammable liquids for cleaning.

NOTICE

Incorrect cleaning may damage the dryer. Do not spray with a pressure washer. Do not use scouring agents or all-purpose cleaners. Do not use steam cleaners.

Wipe the housing and the control panel with a soft cloth and soapy water only. Wipe the drum, door seal and inside of the door with a damp cloth only.

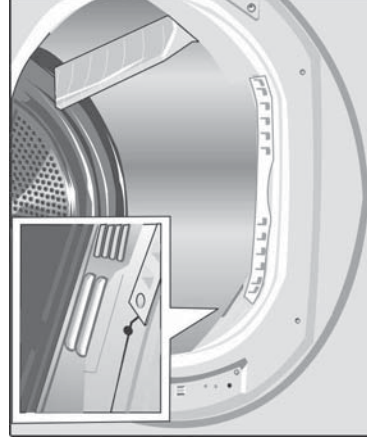
Cleaning the exhaust duct

Inspect and clean the exhaust ducting at least once a year to prevent clogging. A partially clogged exhaust will lengthen the drying time and will result in poor performance of the dryer.

- Turn off the circuit breaker
- Unplug the dryer from the power supply.
- Disconnect the duct from the dryer.
- Vacuum the inside of the duct to remove any accumulation of lint or debris .
- Reconnect the duct.
- Professional duct cleaning is recommended. See page 18.

Cleaning the moisture sensor

The moisture sensor has to be cleaned periodically because a fine layer of transparent buildup is deposited on the sensors.



This deposit can easily be removed by wiping the sensors (the two bars next to the lint filter) with a cloth and a little white vinegar.

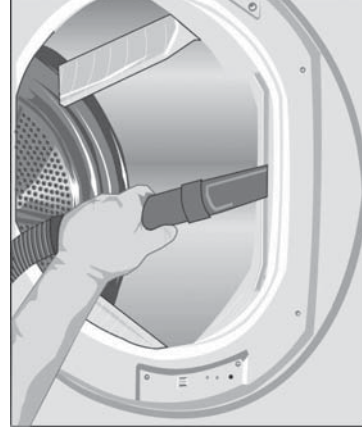
Use white vinegar only!

Clean the moisture sensor once a month.

Cleaning the lint filter housing

Lint and small debris may accumulate in the lower portion of the lint filter opening. With the lint filter removed, accumulated lint can be seen and easily removed with a vacuum cleaner using a narrow crevice cleaning tool.

If you do not have a crevice cleaning tool that will reach to the bottom of the opening, you may contact Customer Service for a list of sources and recommended attachments.



Any accumulation of lint or debris should be removed at least once a month using your vacuum cleaner.

Cleaning the Steam nozzle

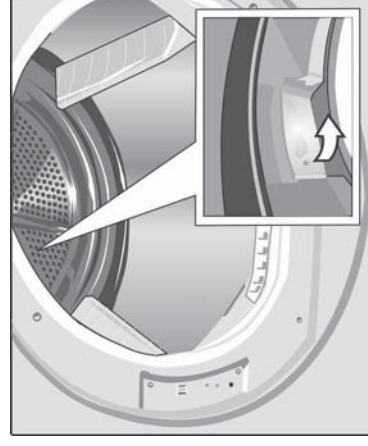
Once a year, inspect the nozzle outlet. If you suspect blockage, wipe the outside of the nozzle with a cloth moistened with vinegar. If the nozzle is completely blocked, consult the troubleshooting guide (see page 31) for removal and cleaning instructions. If the nozzle remains blocked, call customer service (see page 32).

Change the light bulb

The dryer light turns on inside the drum when you open the door and stays on for about 5 minutes or until the door is closed. The light turns off about 4 seconds after the door is closed.

To change the light bulb:

- Set program selector to “Off”.
- Turn off the circuit breaker.
- Unplug the dryer from the power supply.
- Open the door and locate the dryer light on the upper left side of the seal.



- Loosen the screw and open the dryer light cover.
- Turn bulb counterclockwise. Replace the bulb with a new appliance bulb only (obtainable through parts department).

i Parts are available at

www.boschappliances.com
or by calling 1-800-944-2904.

- Replace the cover and secure with the screw.
- Plug the dryer back into the power supply.
- Turn on the circuit breaker.

Troubleshooting



WARNING

TO AVOID RISK OF

ELECTRICAL SHOCK!

Repairs or replacement of parts shall be carried out by qualified technicians or licensed electricians only.

Before calling Customer Service, check whether you can rectify the fault yourself by means of the following table.

If a fault cannot be rectified or a repair is required:

1. Set program selector to "Off".
2. Turn off the circuit breaker.
3. Pull the main plug out of the socket.
4. Call customer service (see page 32).

Troubleshooting items listed below may not be covered by warranty service. Please rule out any of these issues before calling for service.

Problem	Possible cause	Remedial action
Dryer does not start. "Start/Pause" indicator light does not illuminate.	Main plug not inserted at all or not inserted correctly.	Insert main plug correctly.
	A fuse or circuit breaker has tripped. "Start/Pause" button not pressed. No program selected. Door not closed. Ambient temperature below 41°F (5 °C.)	Replace fuse or reset circuit breaker. Press "Start/Pause" button. Select program. Close door. Increase room temperature.
Cycle has been interrupted. A warning signal is emitted and the display shows "CLn".	Lint filter dirty.	Clean the lint filter as described on page 27. Switch the dryer off/switch on again. If this does not clear the error code, call Customer Service (pg. 32).
Cycle has been interrupted. A warning signal is emitted and the display shows "E:12".	Exhaust air duct is blocked or too long. Fault in program sequence or malfunction.	Clean exhaust air duct. Reduce exhaust air duct to maximum length as described on page 18. Switch the dryer off/switch on again. Switch off dryer, leave to cool down for 30 min, switch on again. Restart program.
Degree of drying has not been reached or the drying time is too long. Display may indicate "E:03".	The room/cabinet is not adequately ventilated.	Provide an adequate supply of fresh air. Switch off/switch on again.
	Moisture sensor dirty. Exhaust air duct is blocked or is too long.	Clean moisture sensor as described on page 29. Switch the dryer off/switch on again. Clean exhaust air duct. Reduce exhaust air duct to maximum length as described on page 18. Switch the dryer off/switch on again.
Drum light does not function.	Lint filter dirty.	Clean filter as described on page 27. Switch the dryer off/switch on again.
	Laundry was too wet.	Spin laundry at higher speed in the washing machine. Switch the dryer off/switch on again.
	Unsuitable program selected.	Select program with aid of the program selection table (see page 22). Switch the dryer off/switch on again.
	Maximum drying time was exceeded.	Clean lint filter (see page 27). Check exhaust air duct. Spin laundry at a higher speed in your washer.
	Motor limit temperature was exceeded.	Switch off dryer, leave to cool down for 30 min. Switch on again. Start program.
	Degree of dryness not correctly set	800 Series, Change settings for degree of dryness, see page 25
	No program selected.	Select program.
	Light bulb defective, light bulb burned out.	Replace burned out bulb and reinstall the cover as directed on page 29.
	No power supply.	Check power supply.
	Light bulb is loose.	Remove the bulb cover and if bulb is loose, tighten bulb. Reinstall the cover as directed on page 29.

Troubleshooting (continued)

Problem	Possible cause	Remedial action
"Start/Pause" indicator light does not illuminate. "Wrinkle Block®/Finished" indicator lights. The display shows "000".	Fault in program sequence or malfunction.	Switch off dryer, leave to cool down for 30 min, switch on again. Restart program.
Lint filter LED is blinking after the lint filter has been cleaned	Blinking of lint filter LED is not an indication of a problem. It is used only as a reminder.	No action required. Light will stop blinking.
Display shows "----".	Laundry detected in drum during wool program (laundry not on rack)	Place laundry on dryer rack. Restart program.
Unusual noise: thumping sound	Drum suspension rollers need time to warm up.	No action required. As suspension system rollers warm up thumping will decrease and should stop within 2 to 3 minutes of dryer use
Unusual noise: Steady vibration, rocking of the dryer	Dryer is not level.	Level the dryer (see user manual section "Installation Instructions")
Unusual noise: Rhythmic vibration	Laundry balled up causing load to bounce.	Stop dryer, separate load items, restart dryer.
Water is not sprayed into the unit during Steam cycles	Water tap(s) not turned on. Nozzle does not spray water adequately.	Turn on water tap. Wipe the outside of the nozzle with a cloth moistened with vinegar. If this does not restore the nozzle to spraying, see "Blocked nozzle" remedial action below.
	Blocked nozzle	Remove the nozzle using a 7/16 inch (11 mm) socket wrench. Place the nozzle into a container filled with enough white vinegar to cover the nozzle. Allow the nozzle to soak for five minutes, then scrub the nozzle tip gently with a toothbrush to remove residue. Rinse the nozzle and reinsert it back into the dryer and hand tighten, then tighten 1 additional turn with the wrench.
LED or button illuminated on control panel when Cycle Selector is turned to "Off" position	Fault condition	Turn off the circuit breaker and call Customer Service (pg. 32).

SERVICE and REPAIR



WARNING

WARNING – Label all wires prior to disconnection when servicing controls. Wiring errors can cause improper operation that could cause serious damage to the appliance or personal injury. Verify proper operation after servicing.

Bosch dryers require no special care other than the care and cleaning noted in the Cleaning and Care section.

i If you are having a problem with your dryer, please refer to the troubleshooting table on page 30, before calling for service. If service becomes necessary, contact your dealer or installer or an authorized service center. Do not attempt to repair the appliance yourself. Any work performed by unauthorized personnel may void the warranty.

If you are having a problem with your Bosch dryer and are not pleased with the service you have received:

- First, please contact your installer or the Bosch Authorized Service Contractor in your area and explain to them why you are not satisfied. This will usually correct the problem.

- If, after working with your installer or service person, the problem still has not been resolved to your satisfaction, please let us know by either writing to us at,

BSH Home Appliances Corporation
5551 McFadden Avenue
Huntington Beach, CA 92649

or, calling us at

1-800-944-2904.

Please be sure to include (if writing) or have available (if calling) the following information:

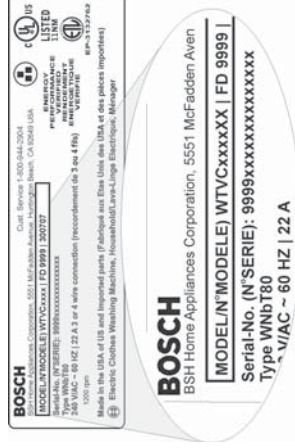
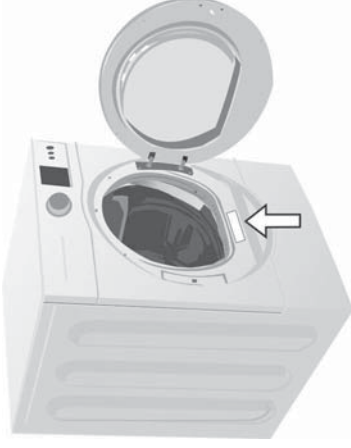
- Model Number
- Serial Number
- Date of Original Purchase
- Date Problem Originated
- Explanation of Problem

Also, if writing, please be sure to include a daytime telephone number and a copy of the sales invoice.

You will find the model number and serial number information on the rating plate located on the inside of the front panel.

The image below shows the approximate location of the rating plate. The model number has a rectangle around it. The serial number is located below the model number.

An example is shown below.



The manufacturer reserves the right to make changes in the product or manual without notification.

STATEMENT OF LIMITED PRODUCT WARRANTY

Bosch Vision™ Clothes Dryer

What this Warranty Covers & Who it Applies to: The limited warranty provided by BSH Home Appliances Corporation (Bosch) in this Statement of Limited Product Warranty applies only to the Bosch Vision™ Clothes Dryer (“Product”) sold to you, the first using purchaser, but strictly conditioned on the Product having been purchased: (1) for your normal, household (non-commercial) use, and has in fact at all times only been used for normal household purposes (any commercial use or setting of the Product automatically voids the warranty); (2) new at retail (not a display, “as is”, or previously returned model) purchased directly by the end-user consumer, and not for resale, or commercial use; and (3) within the United States or Canada, and has at all times remained within the country of original purchase. The warranties stated herein apply only to the first purchaser of the Product and are not transferable. Bosch reserves the right to request proof of purchase at the time any warranty claim is submitted to confirm that the Product falls within the scope of this limited product warranty. The warranty is automatically void if the Product was a display model, sold “as is”, tampered with, a damaged or “scratch and dent” model, or a previously returned model, a free give-away, charitable donation or contest prize.

- Please make sure to return your registration card; while not necessary to effectuate warranty coverage, it is the best way for Bosch to notify you in the unlikely event of a safety notice or product recall.

How Long the Warranty Lasts: Bosch warrants that the Product is free from defects in materials and workmanship for a period of three hundred sixty-five days (365) days from the date of purchase. The foregoing timeline begins to run upon the date of purchase, and shall not be stalled, tolled, extended, or suspended, for any reason whatsoever.

Repair/Replace as Your Exclusive Remedy: During this warranty period, Bosch or one of its authorized service providers will repair your Product without charge to you (subject to certain limitations stated herein) if your Product proves to have been manufactured with a defect in materials or workmanship. If reasonable attempts to repair the Product have been made without success, then Bosch will replace your Product (upgraded models may be available to you, in Bosch’s sole discretion, for an additional charge). All removed parts and components shall become the property of Bosch at its sole option. All replaced and/or repaired parts shall assume the identity of the original part for purposes of this warranty and this warranty shall not be extended with respect to such parts. Bosch’s sole liability and responsibility hereunder is to repair manufacturer-defective Product only, using a Bosch-authorized service provider during normal business hours. For safety and property damage concerns, Bosch highly recommends that you do not attempt to repair the Product yourself, or use an un-authorized service; Bosch will have no responsibility or liability for repairs or work performed by a non-authorized service. If you choose to have someone other than an authorized service provider work on your Product, **THIS WARRANTY WILL AUTOMATICALLY BECOME NULL AND VOID.** Authorized service providers are those persons or companies that have been specially trained on Bosch products, and who possess, in Bosch’s opinion, a superior reputation for customer service and technical ability (note that they are independent entities and are *not* agents, partners, affiliates or representatives of Bosch). Notwithstanding the foregoing, Bosch will not incur any liability, or have responsibility, for the Product if it is located in a remote area (more than 100 miles from an authorized service provider) or is reasonably inaccessible, hazardous, threatening, or treacherous locale, surroundings, or environment; in any such event, if you request, Bosch would still pay for labor and parts and ship the parts to the nearest authorized service provider, but you would still be fully liable and responsible for any travel time or other special charges by the service company, assuming they agree to make the service call.

Extended Limited Warranty:

LENGTH OF WARRANTY	SCOPE OF WARRANTY
2 Year Limited Warranty From Date of Purchase	Bosch will provide replacement parts, free of charge, for any component part that proves defective under conditions of normal home use during the first two years from the date of purchase, normal (non-expedited) shipping costs included, labor charges excluded.
2 Year Limited Warranty on Electronics From Date of Purchase	Bosch will repair or replace, free of charge, any microprocessor or printed circuit board that proves defective under conditions of normal home use during the first two years from the date of purchase, labor charges excluded.
2 Year Limited Warranty on Motor From Date of Purchase	Bosch will repair or replace, free of charge, any motor or component part of the motor that proves defective under conditions of normal home use during the first two years from the date of purchase, labor charges excluded.

Out of Warranty Product: Bosch is under no obligation, at law or otherwise, to provide you with any concessions, including repairs, pro-rates, or Product replacement, once this warranty has expired.

Warranty Exclusions: The warranty coverage described herein excludes all defects or damage that are not the direct fault of Bosch, including without limitation, one or more of the following: (1) use of the Product in anything other than its normal, customary and intended manner (including without limitation, any form of commercial use, use or storage of an indoor product

outdoors, use of the Product in conjunction with air or water-going vessels); (2) any party's willful misconduct, negligence, misuse, abuse, accidents, neglect, improper operation, failure to maintain, improper or negligent installation, tampering, failure to follow operating instructions, mishandling, unauthorized service (including self-performed "fixing" or exploration of the appliance's internal workings); (3) adjustment, alteration or modification of any kind; (4) a failure to comply with any applicable state, local, city, or county electrical, plumbing and/or building codes, regulations, or laws, including failure to install the product in strict conformity with local fire and building codes and regulations; (5) ordinary wear and tear, spills of food, liquid, grease accumulations, or other substances that accumulate on, in, or around the Product; and (6) any external, elemental and/or environmental forces and factors, including without limitation, rain, wind, sand, floods, fires, mud slides, freezing temperatures, excessive moisture or extended exposure to humidity, lightning, power surges, structural failures surrounding the appliance, and acts of God. In no event shall Bosch have any liability or responsibility whatsoever for damage to surrounding property, including cabinetry, floors, ceilings, and other structures or objects around the Product. Also excluded from this warranty are scratches, nicks, minor dents, and cosmetic damages on external surfaces and exposed parts; Products on which the serial numbers have been altered, defaced, or removed; service visits to teach you how to use the Product, or visits where there is nothing wrong with the Product; correction of installation problems (you are solely responsible for any structure and setting for the Product, including all electrical, plumbing or other connecting facilities, for proper foundation/flooring, and for any alterations including without limitation cabinetry, walls, floors, shelving, etc.); and resetting of breakers or fuses. TO THE EXTENT ALLOWED BY LAW, THIS WARRANTY SETS OUT YOUR EXCLUSIVE REMEDIES WITH RESPECT TO PRODUCT, WHETHER THE CLAIM ARISES IN CONTRACT OR TORT (INCLUDING STRICT LIABILITY, OR NEGLIGENCE) OR OTHERWISE. THIS WARRANTY IS IN LIEU OF ALL OTHER WARRANTIES, WHETHER EXPRESS OR IMPLIED. ANY WARRANTY IMPLIED BY LAW, WHETHER FOR MERCHANTABILITY OR FITNESS FOR A PARTICULAR PURPOSE, OR OTHERWISE, SHALL BE EFFECTIVE ONLY FOR THE PERIOD THAT THIS EXPRESS LIMITED WARRANTY IS EFFECTIVE. IN NO EVENT WILL THE MANUFACTURER BE LIABLE FOR CONSEQUENTIAL, SPECIAL, INCIDENTAL, INDIRECT, "BUSINESS LOSS", AND/OR PUNITIVE DAMAGES, LOSSES, OR EXPENSES, INCLUDING WITHOUT LIMITATION TIME AWAY FROM WORK, HOTELS AND/OR RESTAURANT MEALS, REMODELLING EXPENSES IN EXCESS OF DIRECT DAMAGES WHICH ARE DEFINITELY CAUSED EXCLUSIVELY BY BOSCH, OR OTHERWISE. SOME STATES DO NOT ALLOW THE EXCLUSION OR LIMITATION OF INCIDENTAL OR CONSEQUENTIAL DAMAGES, AND SOME STATES DO NOT ALLOW LIMITATIONS ON HOW LONG IMPLIED WARRANTY LASTS, SO THE ABOVE LIMITATIONS MAY NOT APPLY TO YOU. THIS WARRANTY GIVES YOU SPECIFIC LEGAL RIGHTS, AND YOU MAY ALSO HAVE OTHER RIGHTS, WHICH VARY FROM STATE TO STATE. No attempt to alter, modify or amend this warranty shall be effective unless authorized in writing by an officer of BSH.

How to Obtain Warranty Service: To obtain warranty service for your Product, you should contact the nearest Bosch authorized service center.

BSH Home Appliances Corporation – 5551 McFadden Avenue, Huntington Beach, CA 92649 / 800-944-2904

