

Owner's Manual/Manual Del Propietario



GARAGE DOOR OPENER
Abridor de puerta de cochera
MODEL/MODELO 200.57933

For Residential Use Only
Sólo para uso residencial



Read and follow all safety rules and operating instructions before first use of this product.

Fasten the manual near the garage door after installation.

Periodic checks of the opener are required to ensure safe operation.

DO NOT install on a one-piece door.

Write down the Craftsman® serial number located on the garage door opener:
Anote en el recuadro el número de serie de Craftsman ubicado en el abre-puerta:



Transform SR Brands Management LLC, Hoffman Estates, IL 60179 U.S.A
www.sears.com

Leer y seguir todas las reglas de seguridad y las instrucciones de operación antes de usar este producto por primera vez.

Guardar este manual cerca de la puerta de la cochera.

Se deben realizar revisiones periódicas del abridor de puertas para asegurar su operación segura.

Los dispositivos y funciones automáticas deben usarse ÚNICAMENTE con puertas seccionales.

Spanish Section Begins Page: 29
Manual en Español empieza en la pagina: 29

Table of Contents

Introduction

| | |
|------------------------------|---|
| Symbols and Icons | 2 |
| Inventory | 3 |
| Preparation / Tools Required | 4 |

Assembly

| | |
|-------------------------------------|---|
| Rail and Trolley Assembly | 5 |
| Installing the Cable and Chain | 6 |
| Important Installation Instructions | 7 |
| Mounting Header Bracket | 8 |

Installation

| | |
|------------------------------------------------------------|----|
| Attaching Rail to Header Bracket and Mounting Door Bracket | 9 |
| Mounting Opener to Ceiling | 10 |
| Attaching Door Arms | 11 |
| Installing Light and Emergency Release Handle | 12 |

Wiring

| | |
|------------------------------------|----|
| Wiring Instructions | 13 |
| Connecting Photo Eye Safety System | 14 |
| Connecting Push Button | 15 |
| Connecting Power | 16 |

Adjustment

| | |
|--------------------------------------|----|
| Aligning the Photo Eye Safety System | 16 |
| Travel Limit Adjustment | 17 |
| Force Adjustment | 18 |
| Final Adjustment and Testing | 19 |

Operation

| | |
|--------------------------------|-------|
| Programming 1 Button Remote | 20 |
| Programming Keyless Entry Pad* | 21 |
| Important Safety Instructions | 22 |
| Operating the Opener | 23-24 |
| Maintenance | 25 |
| Troubleshooting | 25 |

Repair Parts and Service

| | |
|--------------------------------------------------------|----|
| Rail Assembly Parts / Installation Parts / Accessories | 26 |
| Opener Assembly parts | 27 |

Warranty

28

Symbols and Icons

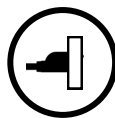


WARNING

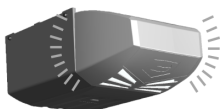
READ WARNINGS CAREFULLY to prevent **SERIOUS INJURY** or **DEATH** caused by electrocution or mechanical hazard.



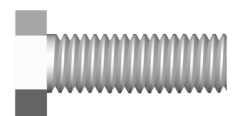
DO NOT connect power



Please connect power



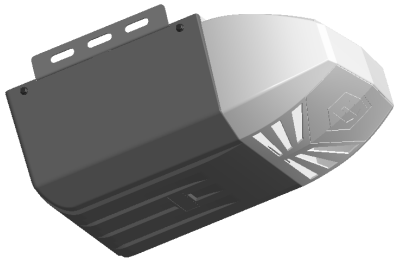
Courtesy light turns on/flashes with audible 'click'.
(If light bulb is not installed, 'click' represents the light)



Installation hardware

*See Accessories in Repair Parts section of this manual for purchase information.

Inventory



Opener Unit + Light Lens Cover

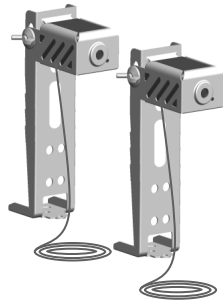
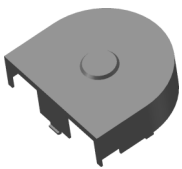


Photo Eye Safety System



Rail — Header Segment
Rail — Middle Segments x3
Rail — End Segment with Trolley Stop Bolt



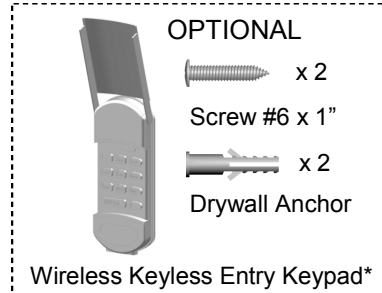
Sprocket Cover



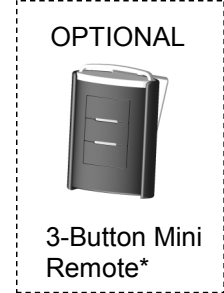
1-Button Remote



Push Button



OPTIONAL
Wireless Keyless Entry Keypad*

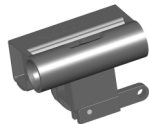


OPTIONAL

3-Button Mini Remote*



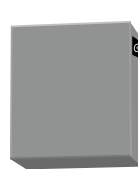
Emergency Release Handle + Rope



Trolley



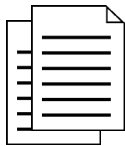
Hanging Brackets



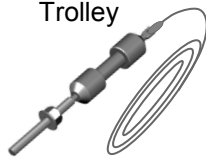
Chain



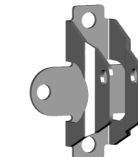
Header Bracket



Literature + Safety Labels



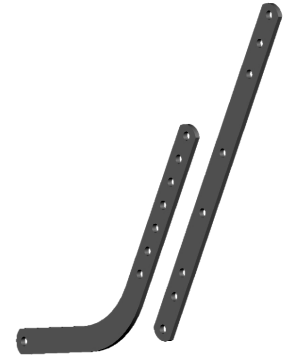
Trolley Shaft and Cable



Door Bracket



Pulley



Door Arms

*See Accessories in Repair Parts section of this manual for purchase information.

INSTALLATION HARDWARE, LOCATED IN HARDWARE BAG (SHOWN IN ACTUAL SIZE)



Clevis Pin — Door arms
5/16" x 1"



Clevis Pin — Header Bracket
5/16" x 1-1/2"



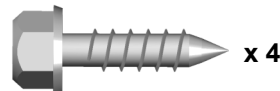
Clevis Pin — Pulley
3/8" x 1-3/4"



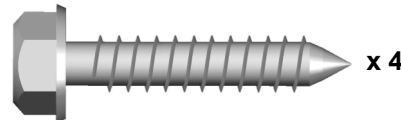
Hitch Pin — Locking Clevis Pins



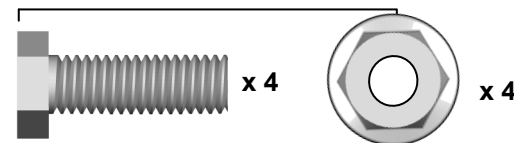
Self-Threading Screw 1/4" x 5/8"
Door Bracket



Lag Screw #12 x 1" — Photo Eye System



Lag Screw 5/16" x 1-1/2"
— Header Bracket / Mounting Opener



Bolt 5/16" x 1" 5/16" Flange Nut
— Door arms / Mounting Opener



Screw #6 x 1-1/4"
- Push Button



Drywall Anchor
- Push Button



x 1
Master Link Set
— Trolley Shaft



x 30
Insulated Staples
— Securing wires

Preparation

WARNING

To prevent **SERIOUS INJURY** or **DEATH**:

- Before beginning installation of the opener please complete the following test to ensure that your door is balanced and in good working condition.
- A poorly balanced door can cause serious injury and damage to the opener.
- Always have a qualified garage door service technician make any required adjustments and/or repairs to your door before proceeding with installation.
- **DISABLE ALL LOCKS** and **REMOVE ALL ROPES** connected to the garage door **BEFORE** installing and/or operating the opener.



To prevent damage to the door and opener:

- **DO NOT** connect power until instructed.
- Operate this opener with AC 120V/60Hz power supply **ONLY**.

DO NOT REUSE PARTS FROM ANOTHER BRAND OF OPENER!!!

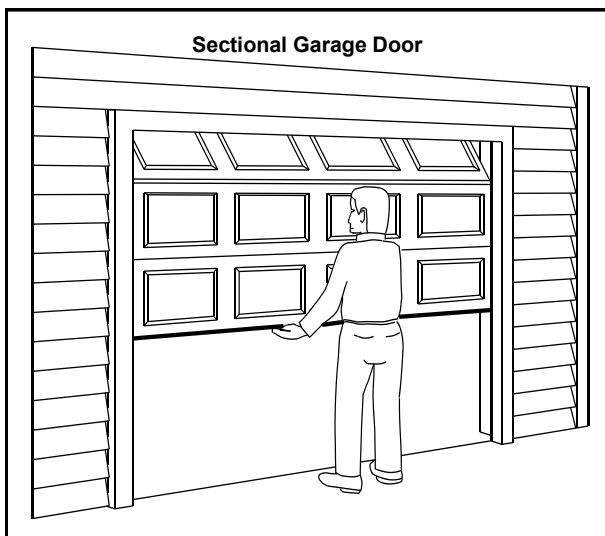
BEFORE beginning Installation:

1. **Disable locks and remove all ropes connected to the garage door.**
2. **Perform the following door test to ensure your door is balanced and in good working condition.**

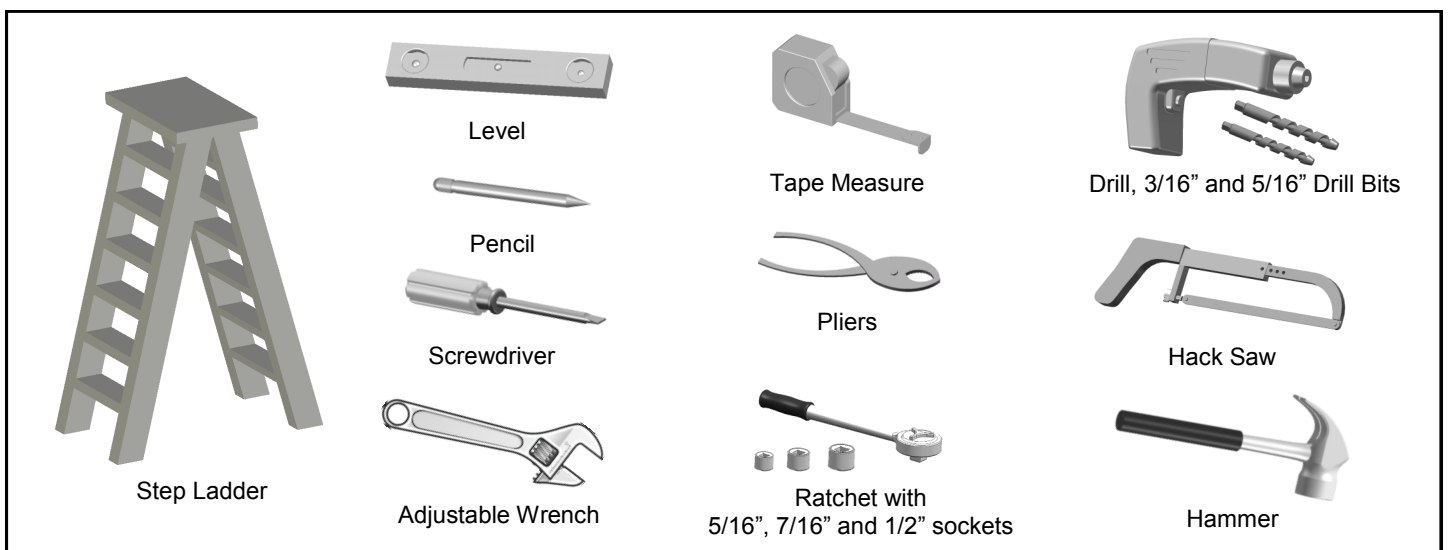
To Test Your Garage Door

1. Raise and lower the door to check if there is any sticking or binding.
2. Check for loose hinges, damaged rollers, frayed cables and damaged or broken springs.
3. Lift the door approximately halfway and release. The door should stay at the point under proper spring tension.

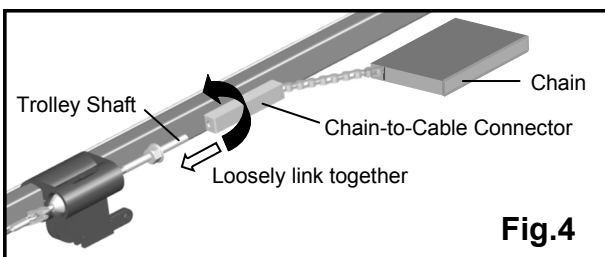
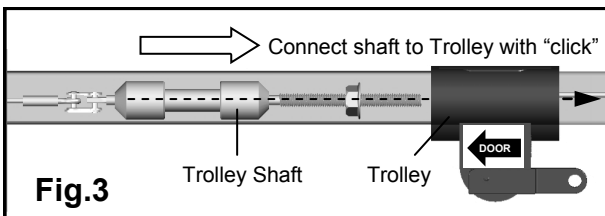
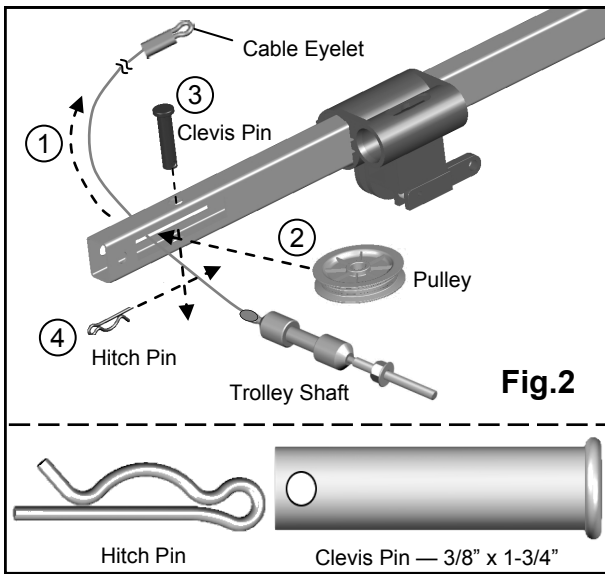
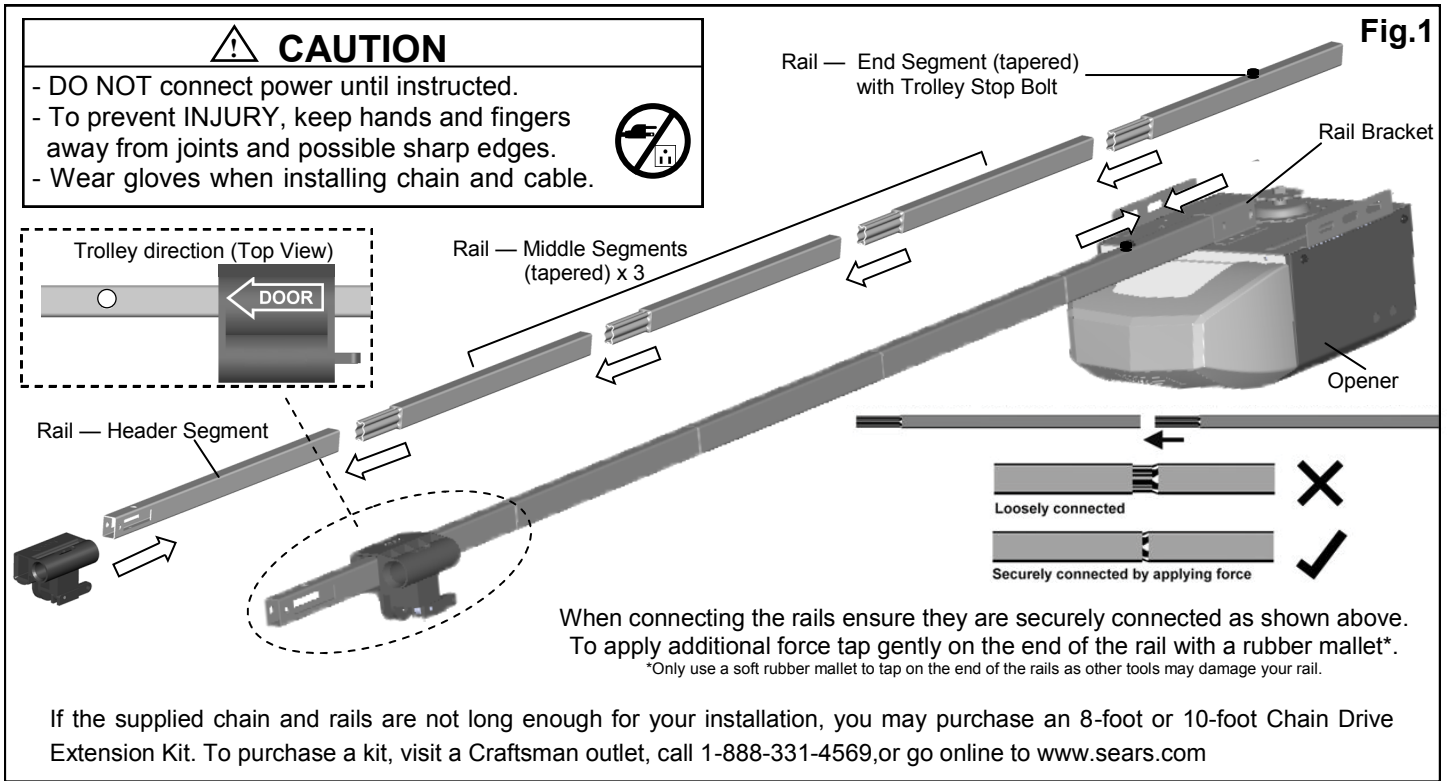
Call a qualified garage door service technician if your door binds, sticks or is unbalanced.



Tools Required



Rail and Trolley Assembly



To Assemble Rail and Opener

1. Prepare the rails as shown in Fig.1.
2. Connect the rails starting with the header segment. Insert the tapered ends into open ends, apply any additional force necessary by tapping the rail on padded flooring. Ensure the end segment has trolley stop bolt facing up. Make sure the rails are securely joined together as shown.
3. Slide the trolley onto the rail from the header segment. Make sure the arrow is pointing towards the door as shown in Fig.1.
4. Connect the rail assembly to the rail bracket on the opener.

To Assemble the Header Section of Rail

Follow steps shown in Fig.2:

1. Remove the "trolley shaft and cable" from the chain carton and lay it beside the rail assembly. Hold cable eyelet on the end of cable and thread about 20" (50cm) through the slot on the Header Segment of the rail.
2. Insert the pulley into the opening while the cable is hanging.
3. Secure the pulley by inserting the 3/8" x 1-3/4" clevis pin through the top of the rail.
4. Lock the clevis pin with a hitch pin. Rotate the pulley to ensure it spins smoothly.

Refer to Fig.3 to connect the trolley shaft to the trolley. Slide both the trolley shaft and trolley towards each other. A "click" will be heard when they are connected.

To Link Cable with Chain

Refer to Fig.4. Place the chain carton beside the rail, hold the "chain to cable connector" and pull about 8" (20cm) of chain from the box. Thread the chain to cable connector onto the trolley shaft so that they are loosely linked together.

Installing Cable and Chain

WARNING

To prevent **SERIOUS INJURY**:

- DO NOT connect power until instructed.
- Keep hands and fingers clear from sprocket during operation.
- Wear gloves when installing chain and cable.
- Keep hands and fingers away from joints and possible sharp edges.

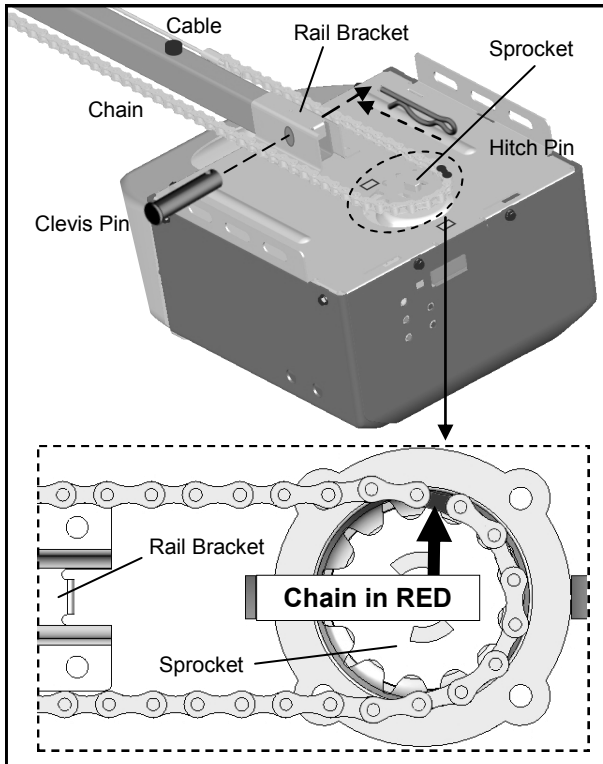


Fig.1

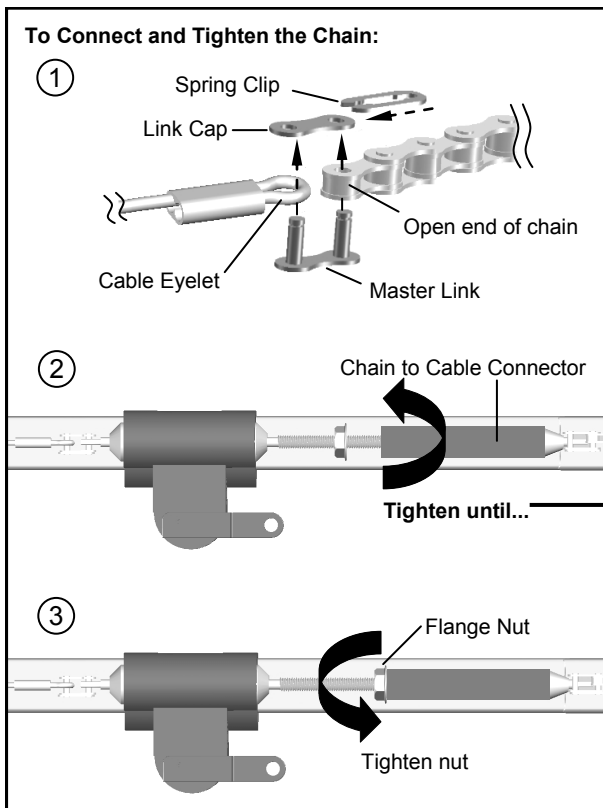


Fig.2

To Install Chain

1. Pull the remaining chain along the rail toward the opener.
2. A segment of chain marked in RED will be seen. Place this segment in the approximate location on the sprocket as shown in Fig.1.
3. When the chain is aligned properly around the sprocket, pull the chain-to-cable connector towards the trolley shaft.

Follow steps shown in Fig.2 to connect & tighten the chain:

1. Align the open end of the chain to the cable eyelet and connect together using the master link set.
2. Turn the chain-to-cable connector on the trolley shaft until the chain is about 1/4" (6mm) above the base of the rail. Compare with the illustration below.
3. Tighten the flange nut on trolley shaft against the chain-to-cable connector.

When the chain and cable are tightened around the rail and sprocket on the opener, check and make sure the chain is properly aligned and not twisted. Attach the sprocket cover to the opener as shown in Fig.3.

Notice

During operation, it is normal for the chain to appear loose when the door is closed. If the chain returns to the position as shown below when the door is opened, the chain is adjusted properly. DO NOT re-tighten the chain.

When performing maintenance, always PULL the emergency release to DISCONNECT the door from opener before adjusting the chain.

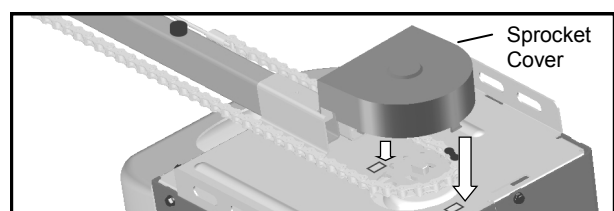
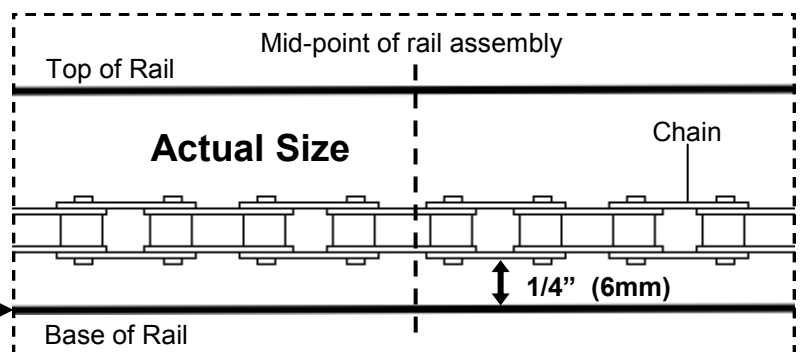


Fig.3

IMPORTANT INSTALLATION INSTRUCTIONS

WARNING

To reduce the risk of severe injury or death:

1. READ AND FOLLOW ALL INSTALLATION INSTRUCTIONS.
2. Install only on a properly balanced garage door. An improperly balanced door has the potential to inflict severe injury. Have a qualified service person make repairs to cables, spring assemblies, and other hardware before installing the opener.
3. Remove all ropes and remove or make inoperative all locks connected to the garage door before installing opener.
4. Where possible, install the door opener 7 feet or more above the floor. For products having an emergency release, mount the emergency release within reach, but at least 6 feet above the floor and avoiding contact with vehicles to avoid accidental release.
5. Do not connect the opener to source of power until instructed to do so.
6. Locate the push button: (a) within sight of door, (b) at a minimum height of 5 feet so small children are not able to reach it, and (c) away from all moving parts of the door.
7. Install the Entrapment Warning Label next to the wall-mount push button in a prominent location. In case the adhesive does not adhere on the surface, the label should be attached to the surface by mechanical means.



Place entrapment warning label on wall next to garage door control.

8. After installing the opener, the door must reverse when it contacts a 1-1/2-inch high object (or a 2 by 4 board laid flat) on the floor.

Mounting Header Bracket

WARNING

To prevent SERIOUS INJURY:

- DO NOT connect power until instructed.
- The header bracket MUST be SECURELY fastened to the structural support on the mounting wall or ceiling, otherwise the door may not reverse when required. DO NOT install the header bracket over drywall.
- Concrete anchors MUST be used when mounting the header bracket into masonry.
- NEVER try to loosen, move or adjust garage door springs, cables, pulleys, brackets, or hardware.
- Contact a qualified garage door service technician if your door binds, sticks or is unbalanced. An unbalanced door might not reverse when required.

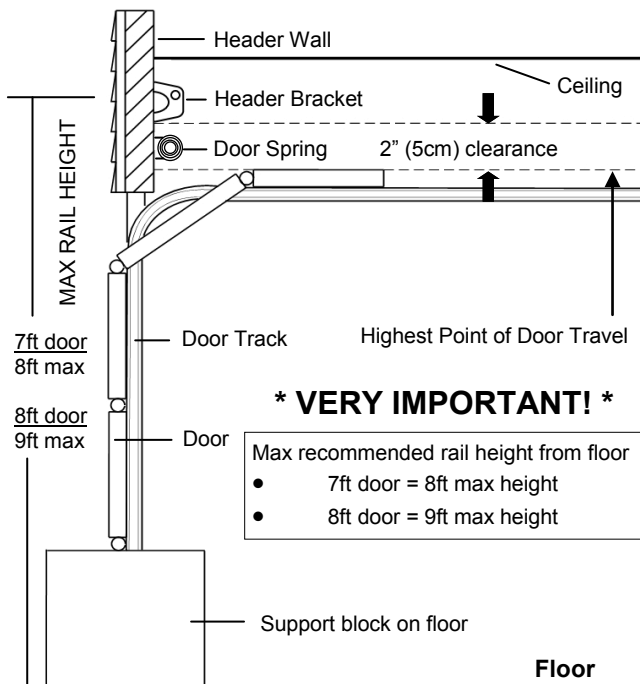


Fig.1

To Install Header Bracket

Note: Installation procedures may vary according to door type.

1. While inside your garage, close the door and mark the vertical centerline of the garage door. Extend the line onto the header wall above the door spring.
2. Open the door to the highest point of travel. Mark a line on the header wall 2" (5cm) above the highest point of travel.

Note: DO NOT install the header bracket over drywall. In some installations, it may be necessary to install a 2x4 across two wall studs to create a suitable location for the header bracket.

If installing into masonry, use concrete anchors (not provided).

Wall-Mounting

As shown in Fig.2, place the header bracket on the vertical centerline in direction shown.

Mark and drill two 3/16" holes. Fasten the header bracket securely to a structural support using two 5/16" x 1-1/2" lag screws.

Alternative Ceiling-Mounting

Ceiling-mounting is suggested ONLY when clearance is minimal.

Extend the vertical centerline onto the ceiling as shown in Fig.3. Center the header bracket on the vertical mark, no more than 6" (15cm) from the header wall. Mark and drill holes to fasten the header bracket securely to a structural support.

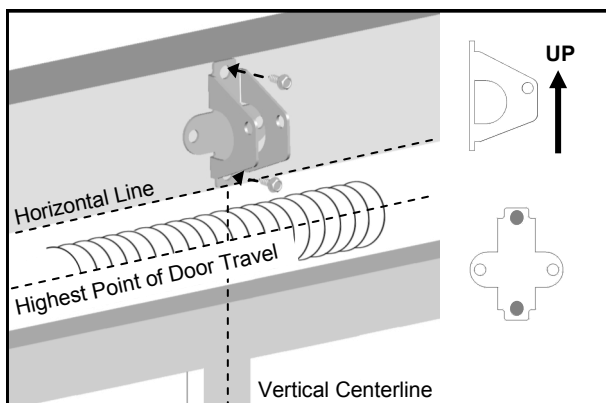


Fig.2 (Wall-Mounting)

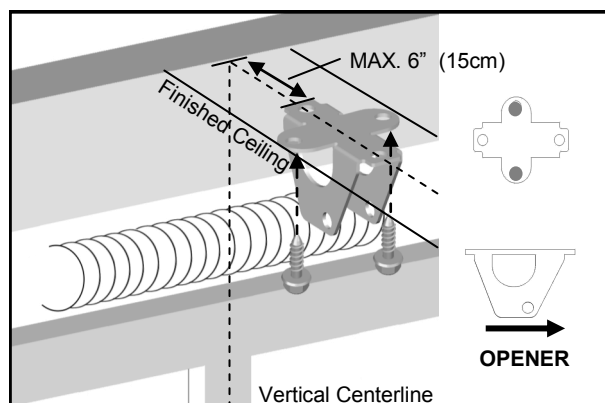
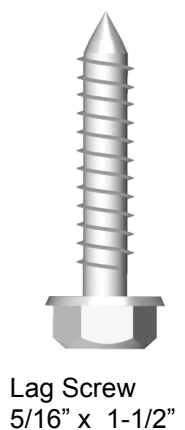


Fig.3 (Ceiling-Mounting)



Attaching Rail to Header Bracket and Mounting Door Bracket

CAUTION

To prevent SERIOUS INJURY:

- DO NOT connect power until instructed.
- Horizontal and vertical REINFORCEMENT is needed for fiberglass, aluminum or lightweight steel garage doors BEFORE installing the door bracket. Contact your door manufacturer for reinforcement options.

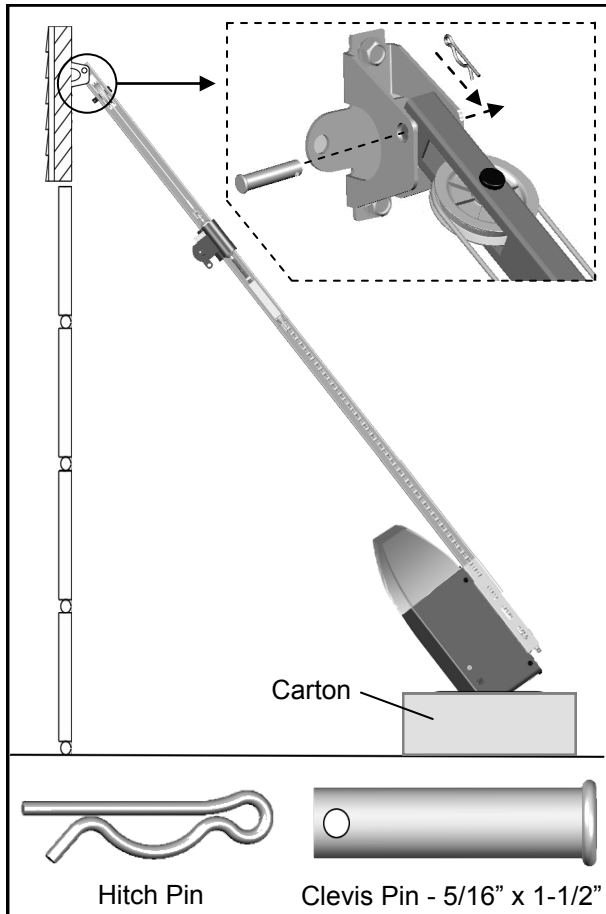


Fig.1

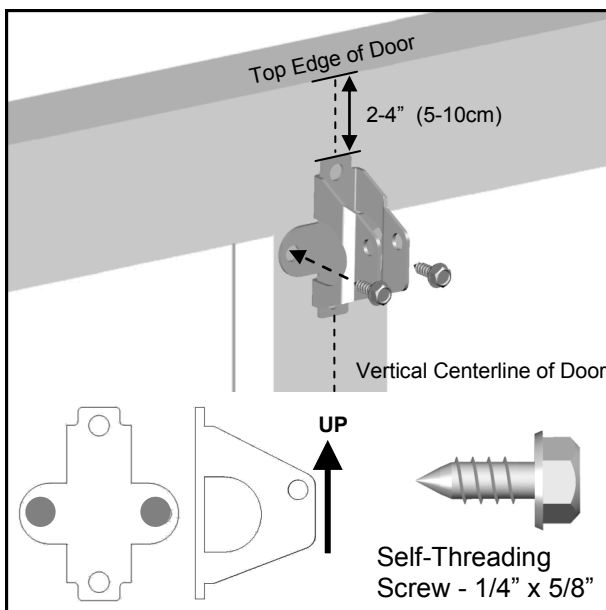


Fig.2

To Attach the Opener to the Header Bracket

1. As shown in Fig.1, use the packaging carton as temporary support for the opener. Place the opener on carton to prevent damage.
2. Align the mounting hole on the header rail to the mounting hole on the Header Bracket.
3. Connect the header rail and the door bracket together with a $5/16'' \times 1-1/2''$ clevis pin and lock it in place with a hitch pin.

To mount the Door Bracket

Note: Some door reinforcement kits may provide direct attachment of the door arm to the reinforcement bracket. If you have a door reinforcement bracket with this option, skip this step and proceed with the next step "mounting opener to ceiling".

1. Position the door bracket on the centerline of the door approximately 2" - 4" (5-10cm) below the top edge of the door, as shown in Fig.2.
2. Depending on the construction of your door, install using one of the steps shown if Fig. 3 below:

For lightweight steel doors, with factory equipped vertical steel reinforcement and horizontal strut.

(a) Mark and drill two $3/16''$ holes. Make sure not to drill through the garage door. Secure the door bracket with two $1/4'' \times 5/8''$ self-threading screws (provided) as shown in Fig.3(a).

(b) Alternative installation: Drill two $5/16''$ holes through the door. Secure the door bracket using two $5/16''$ bolts, lock washers and nuts (not provided) as shown in Fig.3(b). The length of bolts will depend on the thickness of your door.

Wood door

(c) Mark and drill two $5/16''$ holes through the garage door. Secure the door bracket using two $5/16''$ carriage bolts, washers and nuts (not provided) as shown in Fig.3(c). The length of bolts will depend on the thickness of your door.

Note: DO NOT use Self-Threading Screws on a wood door.

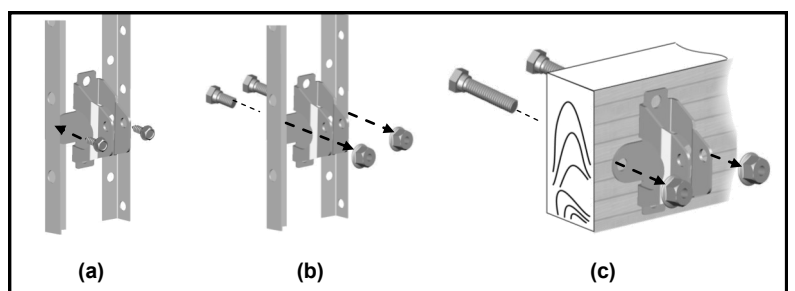


Fig.3

Mounting Opener to Ceiling

WARNING

To prevent SERIOUS INJURY or DEATH:

- DO NOT connect power until instructed.
- Install the opener at least 7 feet (2.13m) above the floor.
- Fasten the opener SECURELY to STRUCTURAL SUPPORTS of the garage to prevent falling.
- If installing brackets to masonry, concrete anchors (not provided) MUST be used.

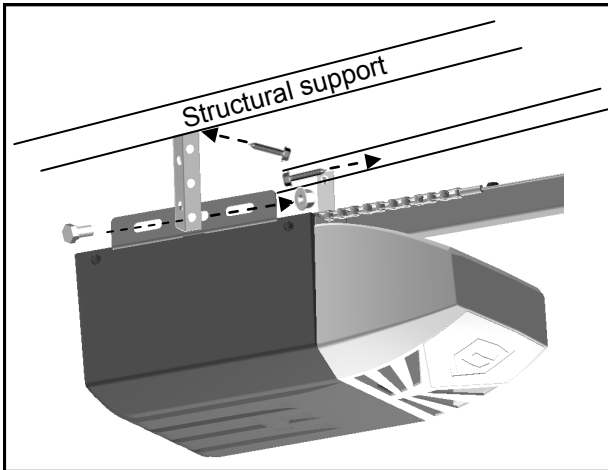


Fig.1

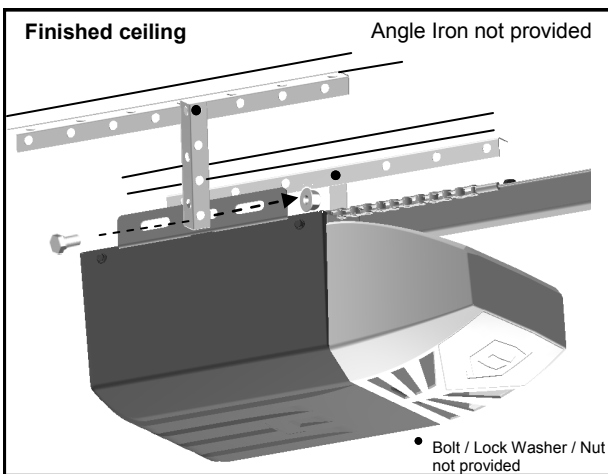


Fig.2

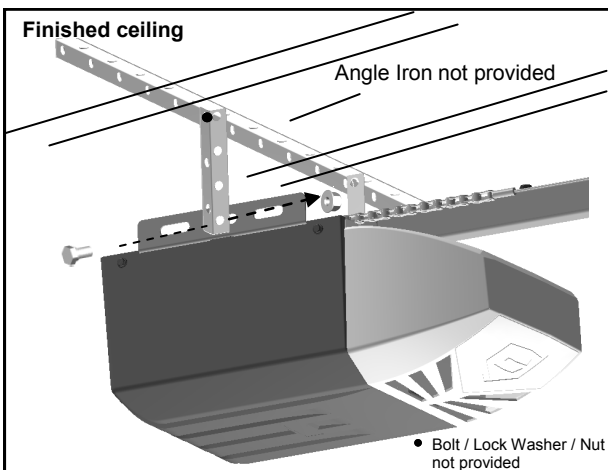


Fig.3

To Mount the Opener to Ceiling

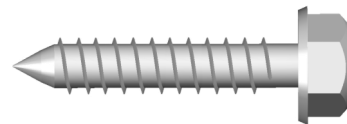
The three most common installation options are shown in Fig.1-3.

Fig.1 shows mounting the opener directly to structural support on the ceiling. Fig.2 and 3 show mounting on a finished ceiling, with heavy duty angle iron*.
*(angle iron not included)

Determine the mounting option that works best for your application and follow installation steps below:

1. Raise the opener and rail assembly and temporarily place it on a stepladder.
2. Position the opener and rail assembly so that it is aligned to the center line of the garage door. If the header bracket was mounted off center, align the opener with the header bracket.
3. Measure the distance from each side of the opener to the structural supports.
4. Cut both hanging brackets to appropriate length.
5. Drill 3/16" holes in the structural supports.
6. Secure one end of each of the hanging brackets to the structural supports using 5/16" x1-1/2" lag screws (provided).
7. Secure the opener to the hanging brackets and secure each side with a 5/16" x 1" bolt and flange nut (provided).
8. Move the door manually to check clearance between highest point of travel of the door and rail. If the door hits the rail, raise the header bracket or adjust the mounting of opener.
9. Remove the ladder ONLY when the opener is securely

Fastening Hanging Brackets to structural supports

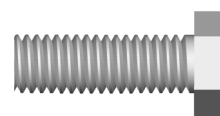


Lag Screw 5/16" x 1-1/2"

Securing Opener to Hanging Brackets



Flange Nut



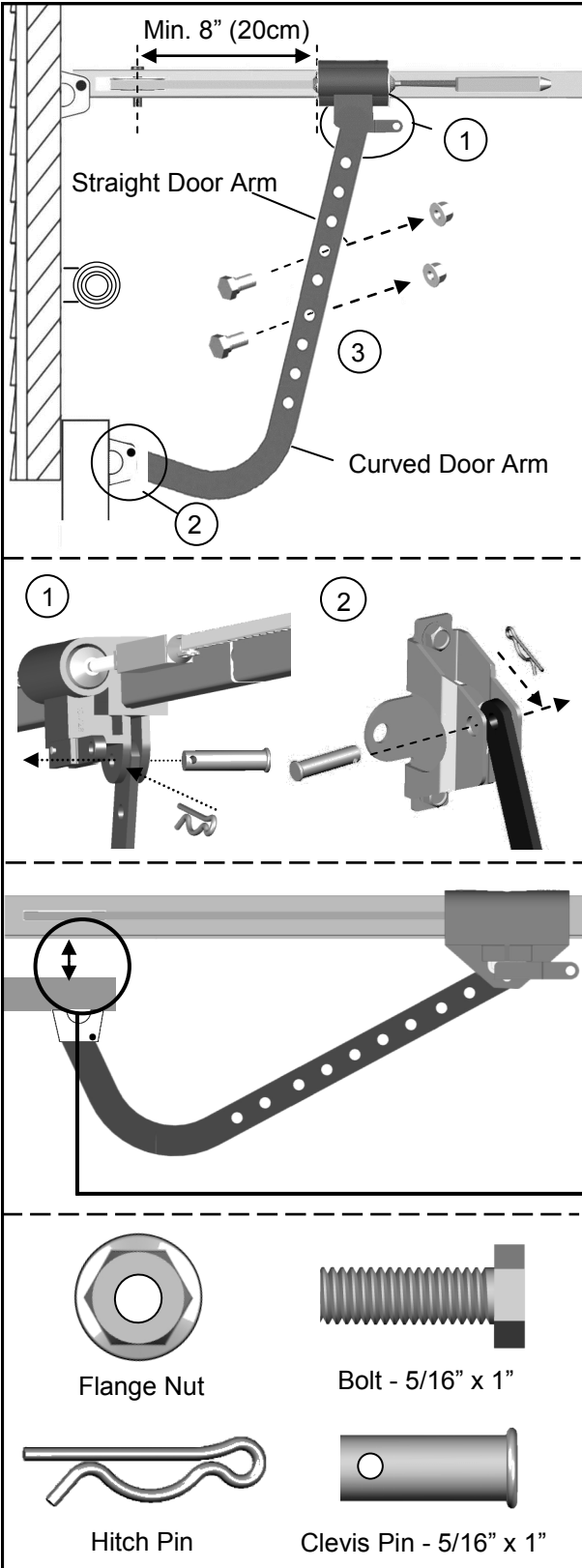
Bolt 5/16" x 1"

Attaching Door Arms

WARNING

To prevent **SERIOUS INJURY**:

- DO NOT connect power until instructed.
- Keep hands and fingers away from the sprocket during operation.
- Wear gloves when installing chain and cable.
- Keep hands and fingers away from joints and possible sharp edges.



NOTE: The trolley must be a minimum of 8" (20cm) away from the pulley.

To Connect Door Arm

Follow the steps shown in Fig. 1

1. Fasten the straight door arm to the trolley with a 5/16" x 1" clevis pin and lock it with a hitch pin.
2. Fasten the curved door arm to the door bracket with 5/16" x 1" clevis pin and lock it with a hitch pin.
3. To connect the door arms together, choose two pairs of holes which are as far apart as possible. Fasten the arms using two 5/16" x 1" bolts and flange nuts.

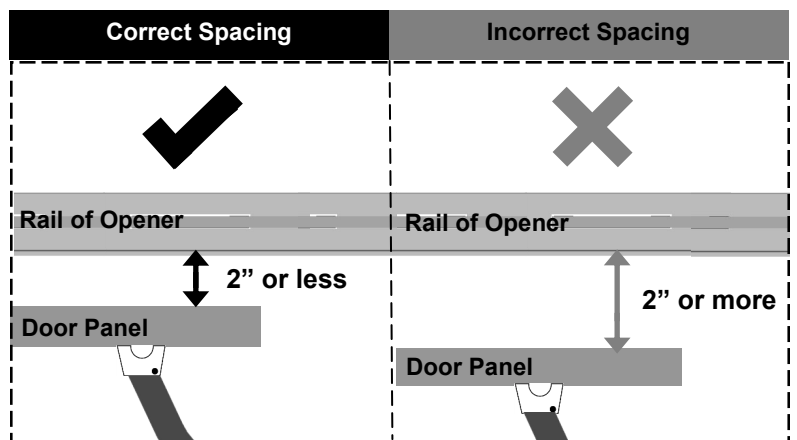


Fig.1

Installing Light and Emergency Release Handle

WARNING

To prevent SERIOUS INJURY or DEATH from electrocution:

- Disconnect power cord before installing/replacing light bulb.

To prevent possible OVERHEATING or damage to opener:

- Use ONLY A19 (E26) incandescent bulbs* (100W max.).

- DO NOT use short neck or specialty light bulbs.

- DO NOT use halogen bulbs.

* CFL or LED light bulbs will work but may interfere with hand-held remotes.

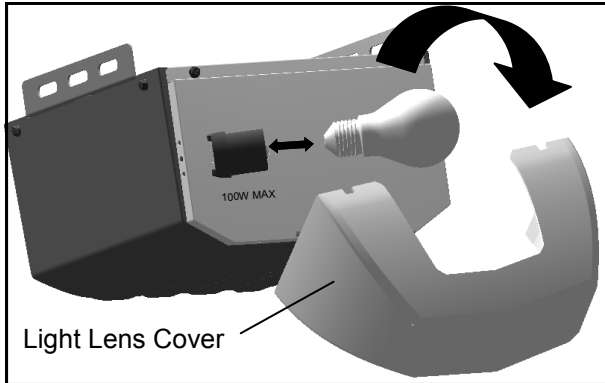


Fig. 1

To install the light:

1. Insert screw driver between lens and the cover at the detents, pry and pull the light lens cover from the top and detach it from the opener.
2. Install a standard A19 (E26) 100 watt maximum light bulb.
3. Re-attach the light lens cover.

Notice

When replacing the light bulb, make sure the bulb on the opener has cooled down to prevent injury.

WARNING

To prevent SERIOUS INJURY or DEATH from a falling garage door:

- In case of power failure or door obstruction, PULL EMERGENCY HANDLE to release door from opener.

- When emergency release is in the released position, the door can be operated manually.

- To reconnect, flip the lever on the trolley towards opener, back to connect position, it will reconnect automatically upon pressing push button or remote control.

- DO NOT use emergency handle to pull the door open or closed.

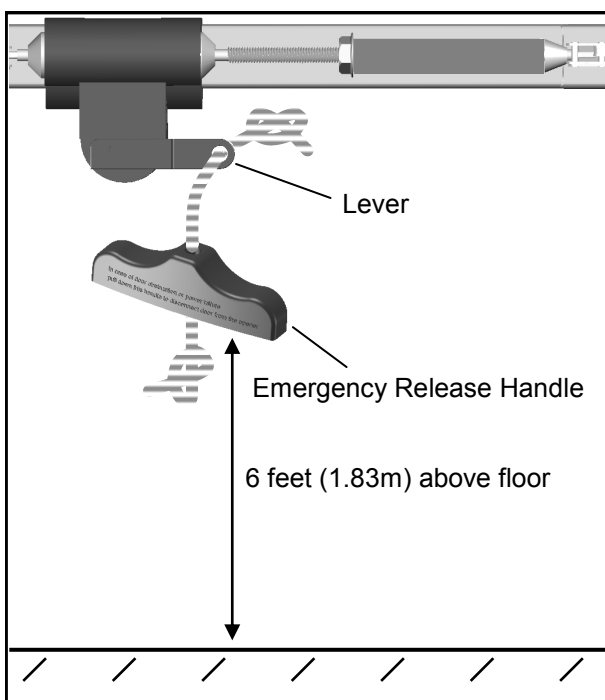


Fig. 2

To attach the Emergency Release Handle:

1. Thread one end of the rope through the hole of the emergency release handle and secure with an overhand knot.
2. Thread the other end of the rope through the hole in the trolley lever.
3. Measure the rope length so that the handle is 6 feet (183cm) above the floor and is clear from the top of your vehicle. Secure with an overhand knot.

* VERY IMPORTANT! *

Emergency release handle must clear all vehicles. An emergency release handle set too low may get caught by the vehicle and cause damage to the door and opener. Measure from the floor to the top of your vehicle and set the emergency release handle above this measurement.

Wiring Instructions

WARNING

To prevent **SERIOUS INJURY** or **DEATH** from electrocution:

- Power **MUST NOT** be connected until instructed.
- **NO** exposed part of the wire should be visible outside of the terminal for proper connection.



*** VERY IMPORTANT! ***

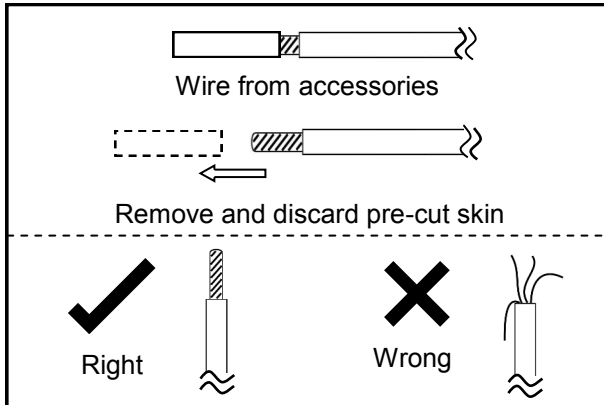


Fig. 1

In the following section, the photo eye safety system and push button will be connected to the opener. Please read and understand the wiring instructions before connecting wires.

1. Remove the pre-cut skin on the open end of wire from accessories. Wires **MUST NOT** be frayed. Wires must be connected as shown in Fig.1.
2. To connect a wire to an assigned terminal, use a small “flat head” screwdriver to push in the orange tab on the Wire terminal as shown in Fig.2.
3. Insert approximately 1/2” (13mm) of the wire into the terminal while pushing in the tab as shown in Fig.2.
4. Each accessory requires a pair of terminals. Each pair of terminals **MUST** be connected with one white wire and one striped wire (non-polarized) from the **SAME** accessory as shown in Fig.2.
5. Check for proper connection by gently pulling on the wire. The wire should not come out of the terminal. **NO** exposed part of the wire should be visible outside of the terminal.
6. Use the insulated staples provided to secure the wires to the wall and/or ceiling. Be careful not to damage the wires while securing the staples.

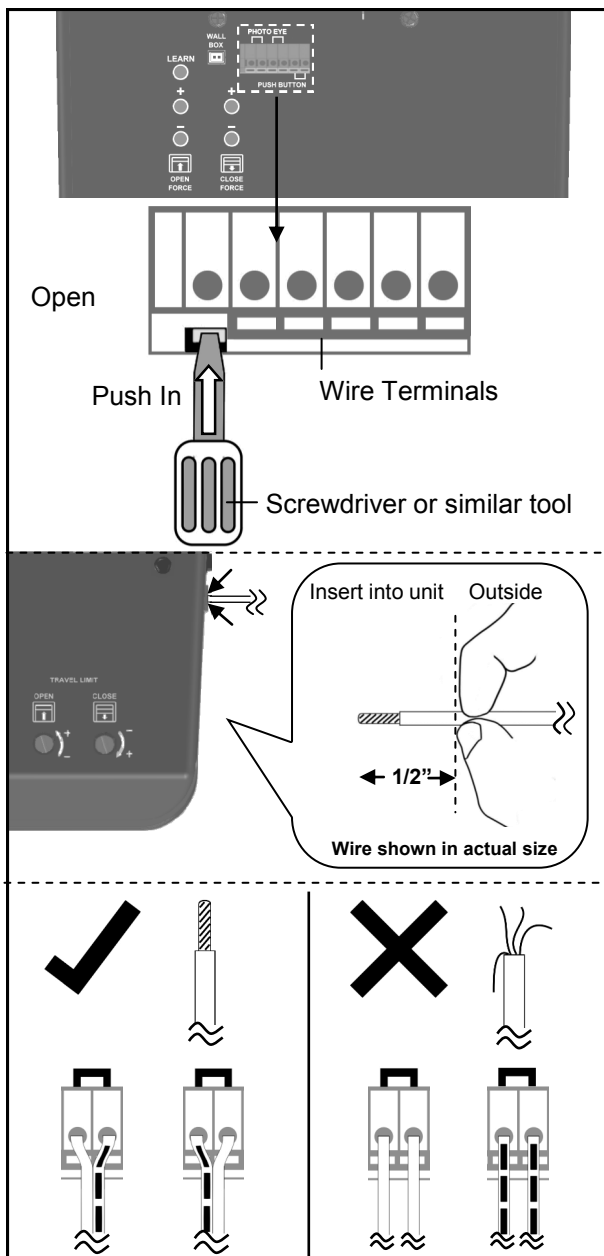
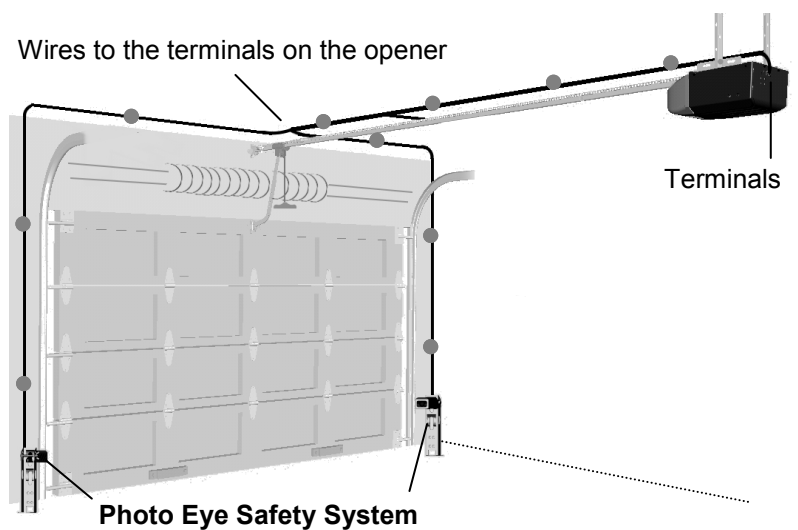


Fig. 2



Connecting Photo Eye Safety System

WARNING

To prevent **SERIOUS INJURY** or **DEATH** from electrocution:

- Power **MUST NOT** be connected **BEFORE** photo eye safety system is connected and aligned.
- The opener will not operate until the photo eye safety system is properly connected and aligned.
- Install the photo eyes **NO** higher than 6" (15cm) above the floor.

No part of garage door or other objects should obstruct the photo eye safety system during door-closing.

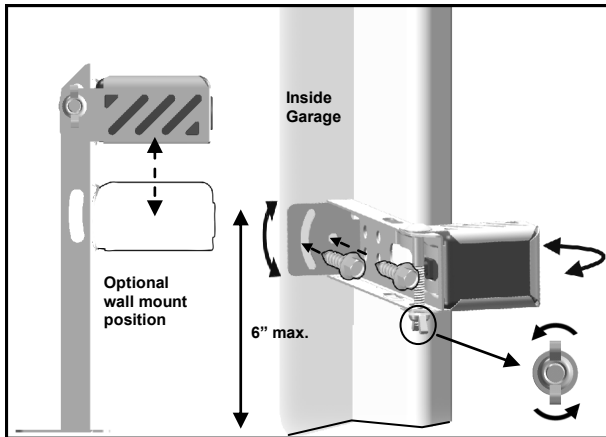


Fig. 1 (Wall Mount)

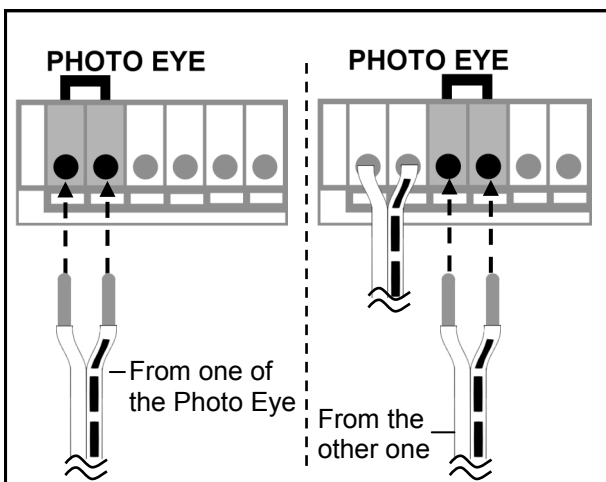
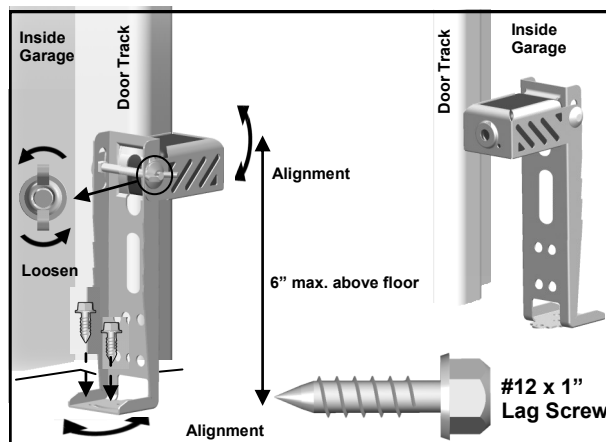


Fig. 3

About the Photo Eye Safety System

The photo eye safety system provides protection against entrapment while the door is closing. When properly connected and aligned, the emitter photo eye emits an invisible infrared light beam while the sensor photo eye monitors that beam.

If the beam is obstructed during door-closing, the entrapment protection will be triggered and the door will stop and reverse to the open position. The courtesy light will flash for 30 seconds indicating an obstruction.

Installing The Photo Eye Safety System

Wall-mounting

1. Place the photo eyes facing each other on each side of the garage door. Position the sensors so they are no higher than 6" (15cm) above the floor, as shown in Fig.1.
2. Drill 3/16" holes using the mounting holes on the bracket as a template. Secure with #12 x 1" lag screws (provided).
3. Be sure brackets, when mounted, are **NOT** in contact with the door track.
4. If necessary use the optional wall-mount position (Fig.1) to better fit your door-track and improve obstacle avoidance. To adjust the position, loosen the wing nut, disassemble the bracket and move the photo eye to the lower position on the holder.
5. If necessary, align the photo eyes by loosening the wing nut. (This step may be further required in **Aligning the Photo Eye Safety System** on page 16.)

Alternative Floor-mounting

1. Place the photo eyes facing each other on each side of the garage door, as shown in Fig.2.
2. If attaching to concrete, secure the photo eyes using concrete anchors and bolts (not provided).
3. Be sure brackets, when mounted, are **NOT** in contact with the door track.
4. If necessary, align the photo eyes by loosening the wing nut. (This step may be further required in **Aligning the Photo Eye Safety System** on page 16.)

To Connect Photo Eye Safety System

1. Connect a pair of wires from either one of the photo eyes to a pair of "PHOTO EYE" terminals on the rear of the opener as shown in Fig. 3. Refer to **Wiring Instructions** on page 13 for proper connections.
2. Repeat above step to connect the other photo eye.
3. Refer to **Wiring Instructions** on page 13 to ensure wires are connected properly.

Connecting Push Button

WARNING

To prevent **SERIOUS INJURY** or **DEATH** from electrocution:

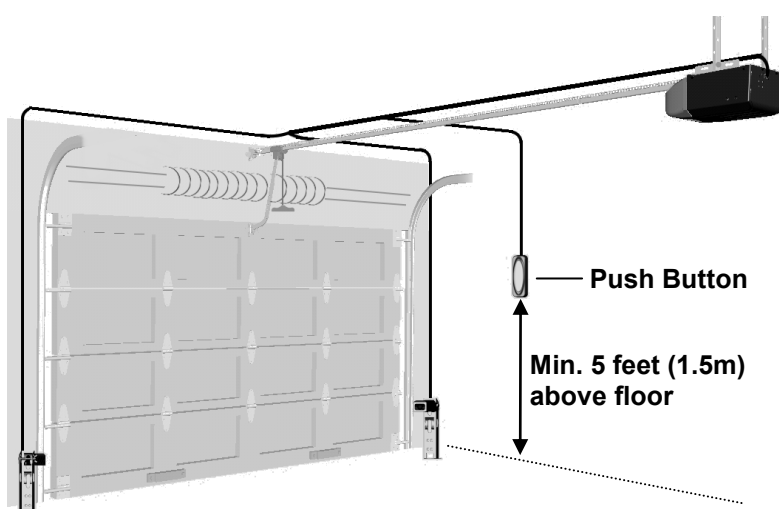
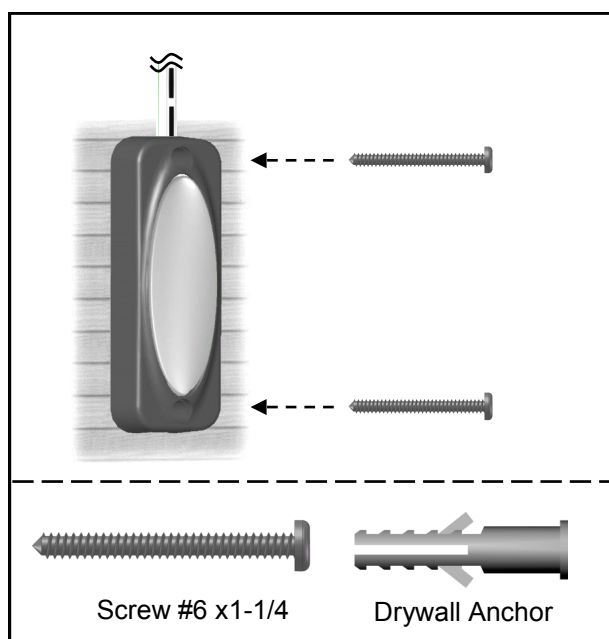
- Power **MUST NOT** be connected until instructed.

To prevent **SERIOUS INJURY** or **DEATH** from using the push button and a closing door:

- Install the push button within sight of the door at a minimum height of 5 feet (1.5m) above the floor. Make sure it is out of the reach of children and moving parts of door and hardware.
- **NEVER** permit children to access the push button or remote controls.
- Operate the door **ONLY** when it is adjusted properly with no obstructions present and is in clear sight.
- **ALWAYS** keep a moving door in sight until it's completely closed.
- **NEVER** cross the path of a moving door.



NOTICE: Only use the Push Button included with this GDO model or identical replacement part. See **Accessories in Repair Parts** section of this manual.



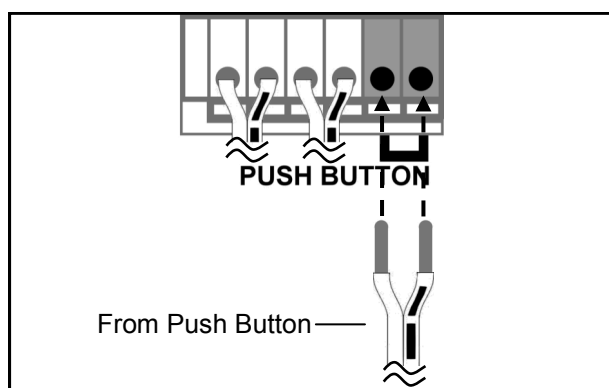
The push button is a wired, illuminated door control placed inside your garage.

To install the Push Button:

1. Inside your garage, install push button within sight of the door at a minimum height of 5 feet (1.5m) off the ground. Ensure it is installed out of the reach of children and free from the moving parts of the door and hardware.
2. Securely fasten it to a solid surface with 1" screws. If attaching to drywall or other hollow surface, drill 3/16" holes and use the provided drywall anchors.

To Connect the Push Button to the Opener

Connect the pair of wires from the push button to the pair of "PUSH BUTTON" terminals on the rear of the opener. Refer to **Wiring Instructions** on page 13 to ensure wires are properly connected.



Connecting Power

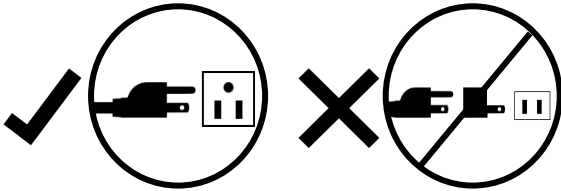
WARNING

To prevent **SERIOUS INJURY** or **DEATH** from electrocution or fire:

- Power **MUST** be **DISCONNECTED** BEFORE proceeding with permanent wiring procedures.
- Garage door opener installation and wiring **MUST** be in compliance with all local electrical and building codes. Make sure the opener is **ALWAYS** grounded.
- **NEVER** use an extension cord, 2-wire adapter or modify the power plug in any way to make it fit the outlet.



Ordinary Power Connection



DO NOT OPERATE OPENER AT THIS TIME.

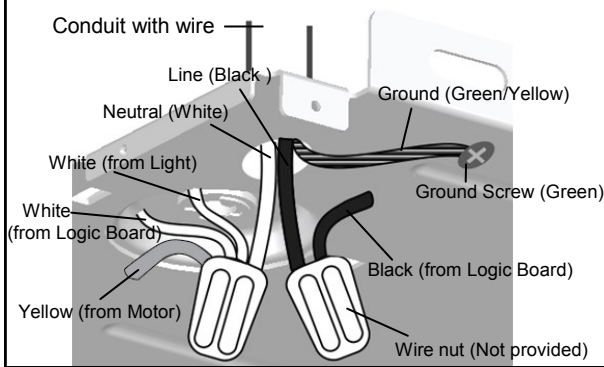
To Connect Power

Plug the opener into a grounded outlet **ONLY**. If there is no grounded outlet present, call a qualified electrician to replace the outlet. Use of a surge protector is highly recommended.

Permanent Wiring (If Required by Local Code)

1. Remove the enclosure by removing the 6 screws located on the sides and rear of the opener.
2. Cut the two cable pressure connectors connecting line (black) and neutral (white) wire from the power cord.
3. Remove the grounding screw connecting the green wire.
4. Remove the power cord.
5. Group neutral (white) wires from power source with 2 white wires from light cable, and logic board, and yellow wire from motor, inside the opener. Connect them with a wire nut.
6. Group line (black) wires from power source with another black wires from logic board inside the opener. Connect them with a wire nut.
7. Secure the ground (green or bare) wire from the power source with a grounding screw.
8. Reinstall the enclosure.
9. Turn on power supply. If the wiring is properly connected, a "click" should be heard and the light will illuminate (if a bulb is installed). If there is no response from the opener, check power source and wiring.

For Permanent Wiring ONLY



Aligning the Photo Eye Safety System

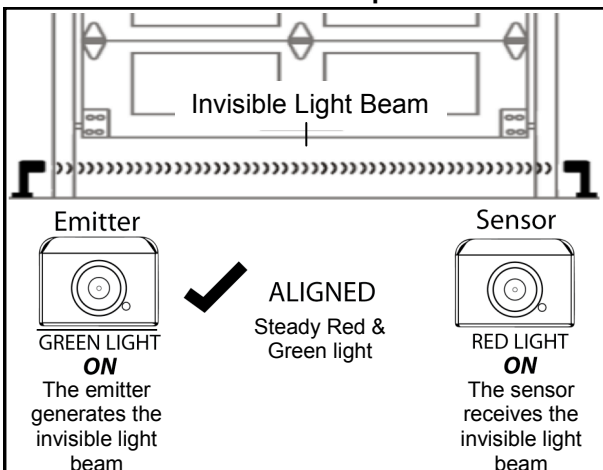
WARNING

To prevent **SERIOUS INJURY** or **DEATH** from a closing garage door:

- The photo eye safety system **MUST** be installed **BEFORE** connecting power.
- The photo eye safety system **MUST** be properly connected and aligned **BEFORE** operating the opener.



NOTICE: The opener will not close until the photo eyes are installed. Photo eyes are required by federal law to be installed on all openers.



Aligning the Photo Eye Safety System:

1. When power is supplied, the green photo eye (Emitter) will flash until it is aligned with the red photo eye (sensor). The red photo eye will not light until it is aligned with the green eye.
2. When the photo eye system is properly aligned the green photo eye (emitter) will emit a steady green light and the red photo eye (sensor) will emit a steady red light.
3. If either of the photo eye lights are unsteady, flash or dim, check for an obstruction and carefully adjust the position of the photo eyes until they give a steady green light and steady red light.

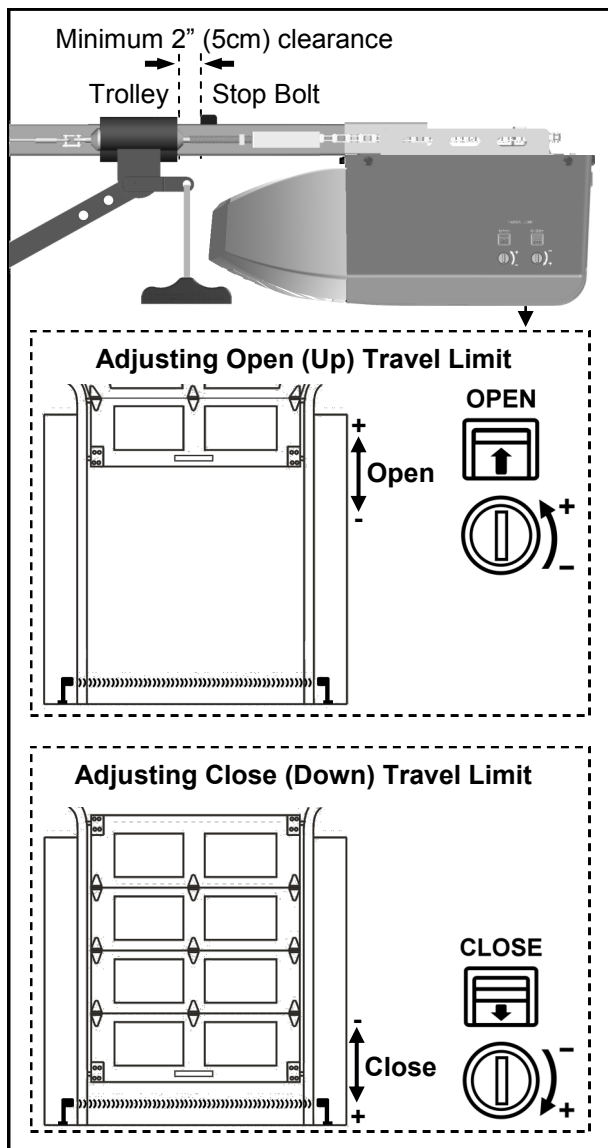
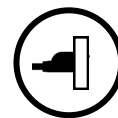
Note: The path of the invisible light beam **MUST NOT be obstructed. No part of the garage door or any hardware should interfere or block either sensor.**

Travel Limit Adjustment

WARNING

To prevent **SERIOUS INJURY** or **DEATH** from improper force adjustment:

- Improper adjustment of travel limits will cause operation of safety reversal mechanism.
- If travel limit adjustment is made, force adjustment may also be needed.
- After **ANY** adjustments, the safety reverse test **MUST** be performed to ensure the door reverses on contact with a 1-1/2" thick object (2x4 laid flat).



About Travel Limits

Limit adjustments regulate the position at which the door will stop when opening and closing.

BEFORE making any adjustments, operate the door by using the push button or remote. Run the opener through a complete cycle.

If the door opens and closes completely without unintended reversing upon closing — NO adjustment is necessary.

If the door does not open or close at desired positions, proceed with the instructions below to adjust the travel limits.

Adjusting Travel Limits

Open and close limits can be increased (+) or decreased (-) by turning the corresponding screws on the opener. Use a "flat head" screwdriver to make adjustments. One full turn of the screw is about 2" (5cm) of actual travel.

NOTE: The opener motor includes an automatic thermal protection system which will shut down the motor in an overheat situation. The thermal protector will reset itself once the motor cools down. Opening and closing the opener multiple times (in a short period of time) may cause the motor to overheat and shut down. If this happens, wait about 15 minutes for the motor to cool and retry operation.

Setting OPEN (UP) Travel Limit

1. **CLOSE** the garage door by using either the remote or push button .
2. Adjust the **OPEN** limit screw.
3. **OPEN** garage door and check for proper adjustment.
4. Repeat steps 1-3 until the door opens to the desired position. When the door is in the open position, make sure there is enough clearance for your vehicle(s), and there is a minimum 2" (5cm) gap between trolley and stop bolt.
5. Perform **Safety Reverse Test** on page 19.

If the door does not open past 5 feet (1.5m), follow **Force Adjustment** on page 18 to adjust the open force.

Setting CLOSE (DOWN) Travel Limit

1. **OPEN** the garage door by using either the remote or large push button .
2. Adjust the **CLOSE** limit screw.
3. **CLOSE** the garage door and check for proper adjustment.
4. Repeat steps 1-3 until door closes to the desired position.
5. Perform **Safety Reverse Test** on page 19.

If the door reverses unintentionally during closing, check below symptoms:

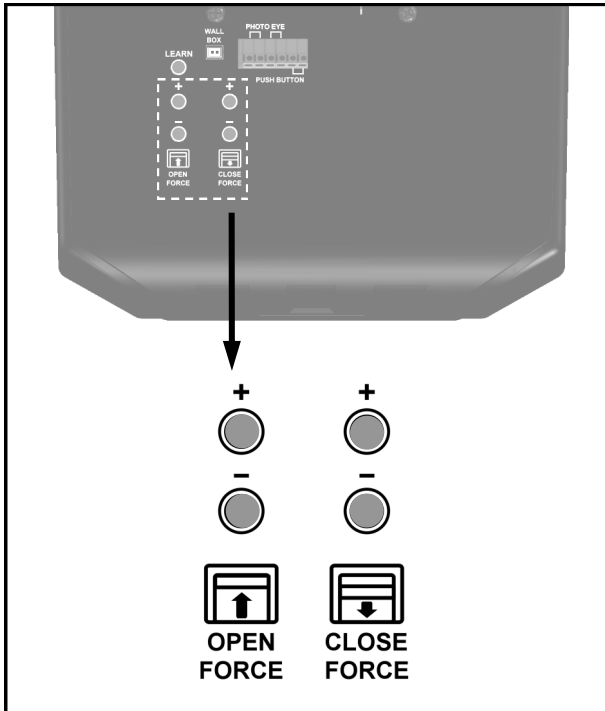
1. The photo eye system may be improperly connected, misaligned or obstructed. The courtesy light will flash continuously for 30 seconds. Refer to **Troubleshooting** on Page 25.
2. Binding door — disconnect the door from the opener by using the emergency release handle. Open and close the door manually and check the following steps.
 - 2.1 If the door is balanced, refer to **Force Adjustment** on Page 18 to adjust Close force.
 - 2.2 If the door is unbalanced, binding or jammed, call a trained service person to adjust the door.

Force Adjustment

WARNING

To prevent **SERIOUS INJURY** or **DEATH** from improper force adjustment:

- **DO NOT** adjust force to compensate for binding or sticking of the garage door. Call a qualified garage door service technician to make necessary adjustments in case of binding.
- **DO NOT** increase the force beyond minimum force required for closing the door. Too much force will cause improper operation of safety reversal mechanism.
- If either the force or travel limit adjustment is made, the other adjustment may also be needed.
- After **ANY** adjustments, the safety reverse test **MUST** be performed to ensure the door reverses on contact with a 1-1/2" thick object (2x4 laid flat).



For safe operation, the force setting should always be set at the MINIMUM FORCE required to run the door.

Adjusting Force

1. Force adjustment controls are located on the rear panel of the opener. The force adjustments regulate the amount of force required to open or close the door.
 2. Force adjustment is applied only to compensate for the minor resistance caused by weather or other conditions.
- Note: Force is preset at level 6 for both open and close adjustments. The size and operating conditions of the garage door will determine the correct level of force/sensitivity. Weather conditions may also affect the operation of the door requiring further adjustments as needed.
 - Note: If the close force is set too light the opener will reverse the door during closing. If the open force is set too light the opener will stop the door during opening.
 - Note: There are 12 levels for open and close force settings. When either the maximum or minimum level is reached, the light will flash 6 times.
 - Never adjust the force setting by more than 1 level (1 press) at a time.

Setting Force

Setting Close Force

1. If the door completes a full close cycle without reversing, decrease (-) the close force by 1 level at a time until the door reverses. If the door reverses during closing, increase (+) close force by 1 level. The close force is now properly adjusted.
2. During the "door-close" cycle, the opener will reverse if the force required to close the door is exceeded.

Setting Open Force

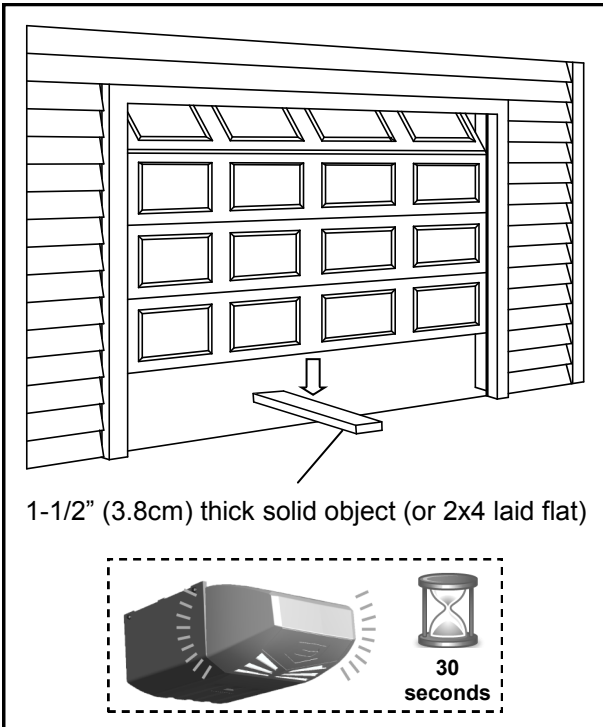
1. If the door completes a full open cycle without stopping, decrease (-) the amount of force by 1 level until the door stops during the opening. Once the door stops during opening, increase (+) open force by 1 level. The close force is now properly adjusted.
2. During the "door-open" cycle the opener will stop if the force required to open the door is exceeded.

Final Adjustments and Testing

WARNING

To prevent **SERIOUS INJURY** or **DEATH** from a closing garage door:

- The Safety Reversal Test **MUST** be conducted **ONCE A MONTH**.
- **NO ONE** should cross the path of moving door during operation and/or testing.
- If either force or travel limit adjustment is made, the other adjustment may also be needed.
- After **ANY** adjustments to the door system, the Safety Reverse Test **MUST** be performed to ensure the door reverses on contact with a 1-1/2" thick (2x4 laid flat) object.
- The photo eye safety system **MUST** be properly aligned, and tested regularly.



Testing the Safety Reverse System

The Safety Reverse System prevents the door from closing when an obstruction is present.

1. Open the door by using the large push button or remote
2. Place a 1-1/2" (3.8cm) thick solid object (or 2x4 laid flat) on floor under the center of garage door.
3. Keeping the door in sight, use the push button or remote to close the door.
4. The door **MUST REVERSE** upon striking the object within 1.5 seconds, and stop at the fully opened position.
5. The courtesy light will start flashing for 30 seconds upon triggering the Safety Reverse System.

If the door just stops on the object, adjust the opener as follows:

The close travel maybe inadequate, Increase close travel limit by 1/4 turn (See **Limit Adjustment** on page 17)

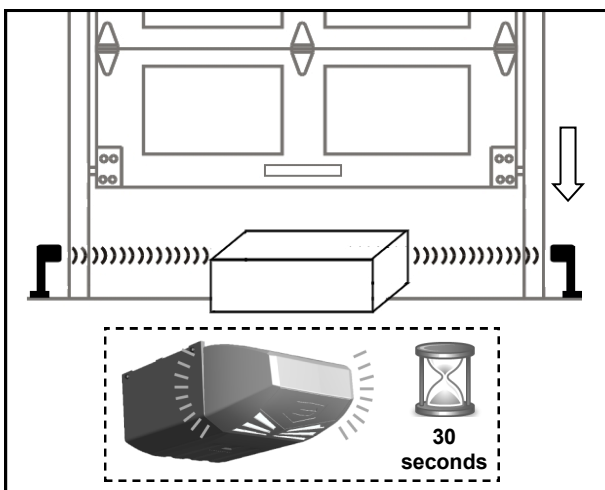
Conduct the test again. If the door reverses on contact, remove the object and run at least 3 **COMPLETE** travel cycles to ensure proper adjustment.

If the door still does not reverse on the object, decrease the close force (see **Force Adjustment** on page 18) and repeat the test.

If the opener still fails the safety reverse test, call a qualified technician for door adjustment.

Testing the Photo Eye Safety System

1. Open the door by using the large push button or remote
2. Make sure both photo eyes steadily emit the green and red indicator lights. (If not, check alignment)
3. Place an object under the door about 8" (20cm) high by 12" (30cm) wide (the opener carton can be used),
4. The red indicator light on the sensor eye should be dimmed.
5. Keep the door in sight and use the push button or remote to try to close the door.
6. The door should **NOT** move more than 1" (2.5cm) and the courtesy light should flash for 30 seconds.



Programming 1– Button Remote

WARNING

To prevent **SERIOUS INJURY** or **DEATH**:

- Keep remote and battery out of reach of children.
- **NEVER** permit children to access the wall panel nor remotes.
- Operate the door **ONLY** when it is properly adjusted, and there are no obstructions present.
- **ALWAYS** keep a moving door in sight until completely closed. **NEVER** cross the path of a moving door.



To reduce risk of fire, explosion or electric shock:

- **DO NOT** short circuit, recharge, disassemble or heat the battery, batteries may explode or leak.
- **NEVER** allow small children near batteries.
- Replace with **23AE 12 volt batteries ONLY**. Dispose of batteries properly.

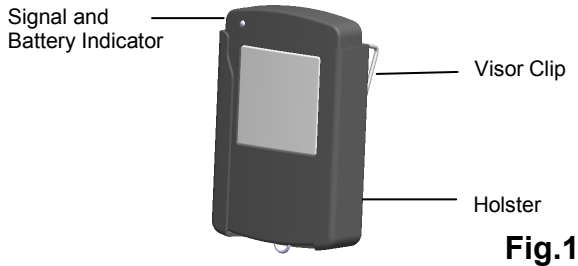


Fig.1

To Program Remote(s):

1. See Fig.2 to add a remote. Press the “LEARN” button on the rear control panel of the opener. The courtesy light will illuminate with an audible click*. The unit is now ready to learn a remote.
2. Within 30 seconds, press the button on the remote.
3. The courtesy light will flash twice indicating remote has been stored successfully**.

Up to 20 remotes (including keyless entry pad codes) can be added to the unit by repeating the above procedures.

If more than 20 remotes are stored, the first stored remote will be replaced. (i.e. the 21st remote replaces the 1st stored remote.)

* If the courtesy light is already on, it will flash once and stay illuminated for 30 seconds.

** If a remote is not accepted, the courtesy light will stay on for 30 seconds, flash 4 times and then stay on for 2-1/2 minutes. Retry programming the remote by repeating the steps above.

Removing all Remotes:

To remove all remotes from memory, press and hold the “LEARN” button for 5 seconds. The courtesy light will flash 7 times indicating all remotes have been removed from memory.

Replacing Remote Battery:

When the battery of the hand held remote is low, the indicator light will become dim and/or the range of the remote will diminish. To replace the battery, remove the battery cover from the remote as shown in Fig 4. Replace with a 23AE 12 volt alkaline battery with polarity shown in Fig.4.

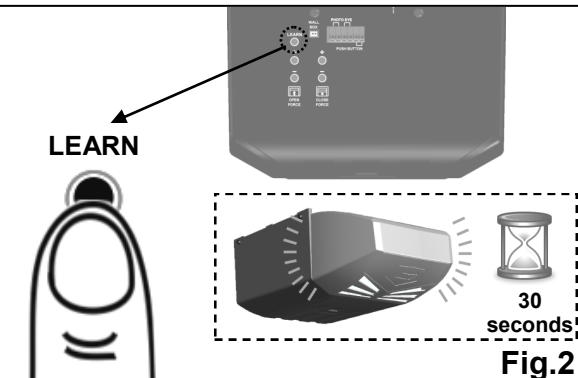


Fig.2

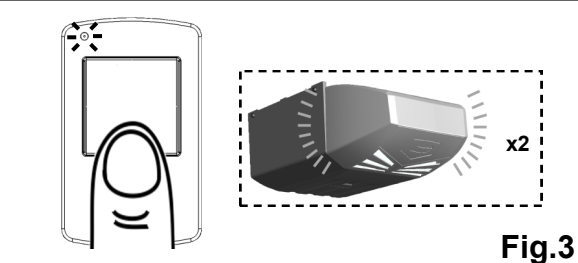


Fig.3

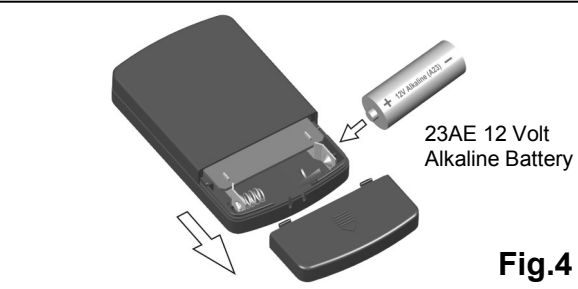


Fig.4

Warning: Changes or modifications to this unit not expressly approved by the party responsible for compliance could void the user's authority to operate the equipment.

NOTE: This equipment has been tested and found to comply with the limits for a Class B digital device, pursuant to Part 15 of the FCC Rules. These limits are designed to provide reasonable protection against harmful interference in a residential installation. This equipment generates, uses and can radiate radio frequency energy and, if not installed and used in accordance with the instructions, may cause harmful interference to radio communications.

However, there is no guarantee that interference will not occur in a particular installation. If this equipment does cause harmful interference to radio or television reception, which can be determined by turning the equipment off and on, the user is encouraged to try to correct the interference by one or more of the following measures:

- Reorient or relocate the receiving antenna.
- Increase the separation between the equipment and receiver.
- Connect the equipment into an outlet on a circuit different from that to which the receiver is connected.

Consult the dealer or an experienced radio/TV technician for help.

Programming Wireless Keyless Entry Keypad *

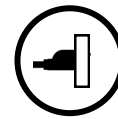
To purchase a wireless keyless entry keypad, visit a Craftsman outlet, call 1-888-331-4569, or go online to www.sears.com



WARNING

To prevent SERIOUS INJURY or DEATH:

- Keep remote and battery out of reach of children.
- NEVER permit children to access the wall panel, push button nor remotes.
- Operate door only when it is adjusted properly with no obstructions to door travel and is in clear sight.
- ALWAYS keep a moving door in sight until completely closed. NO ONE should cross the path of a moving door.



To reduce risk of fire, explosion or electric shock:

- DO NOT short circuit, recharge, disassemble or heat the battery, batteries may explode or leak.
- Replace with 1.5 volt AAA batteries ONLY. Dispose of batteries properly.

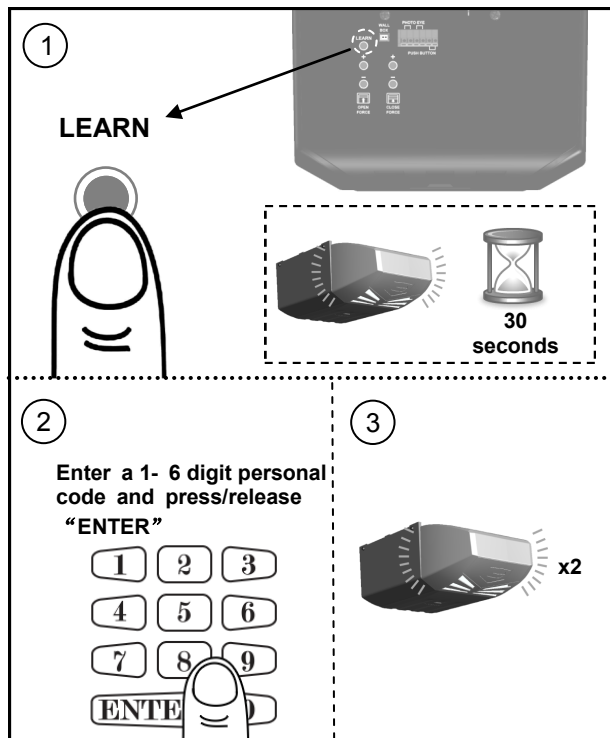


Fig.1

To Add Personal Codes:

1. Press the "LEARN" button on the rear control panel, "OK" LED will glow and beep. The unit is ready to accept a keypad code in the next 30 seconds as shown in Fig.1.
2. Enter a 1 - 6 digit personal code on the keyless entry within 30 seconds and press/release "ENTER" button. "OK" LED will flash and beep twice indicating personal code is stored in memory.

Up to 20 personal codes (including 1-button remotes) can be added to the unit by repeating the above procedures.

If more than 20 personal codes are stored, the previously stored one from the very beginning will be replaced, (i.e. the 21st code replaces the 1st stored one.)

Operation:

To access the door, enter a pre-stored personal code and press "ENTER" to transmit code, and within 20 seconds, "ENTER" button can be used to stop or reverse the door.

If the code is entered incorrectly, correction can be made by pressing "ENTER" to reset and re-enter code.

When dark, "ENTER" may be pressed in advance to turn on back light.

Removing ALL Personal Code(s):

To remove ALL personal code(s) from memory, press and hold the "LEARN" button for 5 seconds. "OK" LED will flash and beep, indicating all codes/remotes have been removed from memory.

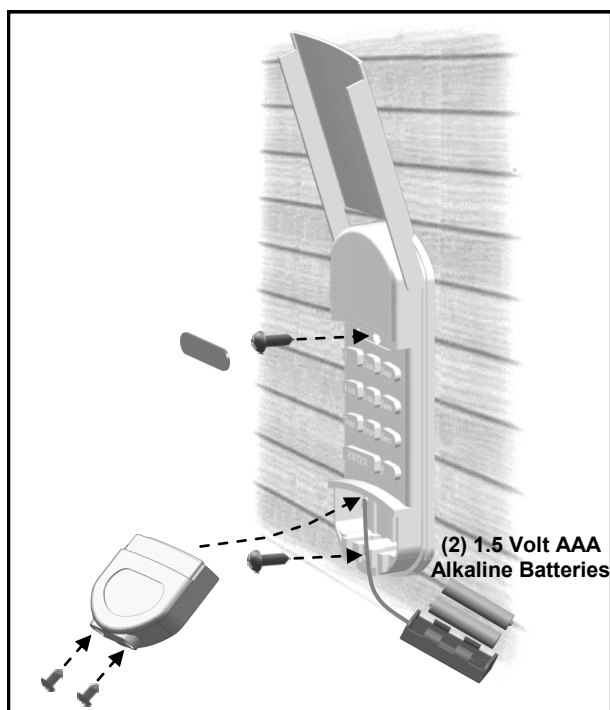
Mounting the Keyless Entry:

Keyless entry may be secured on door jamb face outside your garage. Locate keyless entry within sight of door at minimum height of 5 feet (1.5m), ensure it is away from reach of children and moving parts of door and hardware. Test the reception of the keyless entry before mounting. Change location for better reception if necessary.

Use the mounting holes on the keyless entry as template to mark position on the mounting surface. To attach to a wooden surface use the screws provided. In case of a drywall surface, drill holes and use drywall anchors provided.

Replacing Keyless Entry Battery:

When the battery of keyless entry is low, dimmed illumination is observed. To replace battery, remove the battery cover by loosening the screws underneath, and replace the battery with two 1.5 volt AAA batteries.



*Optional

Fig.2

IMPORTANT SAFETY INSTRUCTIONS

WARNING

To reduce the risk of severe injury or death:

1. READ AND FOLLOW ALL INSTRUCTIONS.
2. Never let children operate or play with door controls. Keep the remote control away from children.
3. Always keep the moving door in sight and away from people and objects until it is completely closed. NO ONE SHOULD CROSS THE PATH OF THE MOVING DOOR.
4. NEVER GO UNDER A STOPPED, PARTIALLY OPEN DOOR.
5. Test door opener monthly. The garage door MUST reverse on contact with a 1-1/2-inch high object (or a 2 by 4 board laid flat) on the floor. After adjusting either the force or the limit of travel, retest the door opener. Failure to adjust the opener properly increases the risk of severe injury or death.
6. Use the emergency release only when the door is closed. Use caution when using this release with the door open. Weak or broken springs are capable of increasing the rate of door closure and increasing the risk of severe injury or death.
7. KEEP GARAGE DOORS PROPERLY BALANCED. See owner's manual. An improperly balanced door increases the risk of severe injury or death. Have a qualified service person make repairs to cables, spring assemblies, and other hardware.

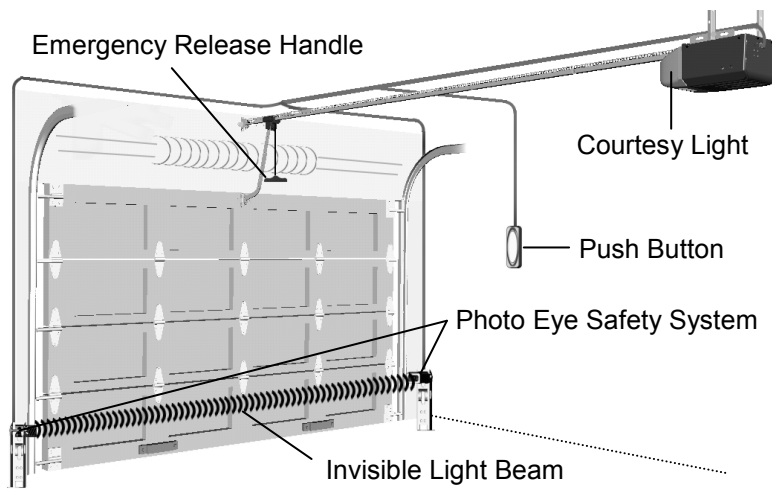
SAVE THESE INSTRUCTIONS.

Operating the Opener

WARNING





To prevent **SERIOUS INJURY** or **DEATH**:

- **READ AND FOLLOW ALL INSTRUCTIONS AND WARNINGS IN THE OWNER'S MANUAL AND LABELS**
- Keep remote and battery out of reach of children.
- **NEVER** permit children to access the push button or remotes.
- Operate the door **ONLY** when it is properly adjusted, and there are no obstructions and is in clear sight.
- **ALWAYS** keep a moving door in sight until completely closed. **NEVER** cross the path of a moving door.
- If travel limit adjustment is made, force adjustment may also be needed.
- After **ANY** adjustments, the safety reverse test **MUST** be performed to ensure the door reverses on contact with a 1-1/2" thick object (2x4 laid flat).
- **ALWAYS** ensure that your door is balanced and in good working condition.



Actual Operating Scenario


Activating the Opener

| Controls | Operation |
|---------------------------------------------------------------------------------------------------------------------------|------------------------------------------------------------------------------------------------------------------------------------------------------------------------------------------------------------------------------------------------------------------------------------------------------------------------------------------------------------------------------------------------------|
|  <p>Push Button (Indoor)</p> | <p>Press and hold the push button until the door starts to move, and controls as follows:</p> <ul style="list-style-type: none"> - Open or close the door. - Reverse the door while it is closing - Stops the door while it is opening. - Close the door when the photo eye safety system is not installed, misaligned or obstructed INTENTIONALLY. |
|  <p>1-Button Remote Control</p> | <p>Same functions* as the push button with remote distance up to 100 ft. in open field. *For safety concerns, the 1-button remote WILL NOT work if the photo eye safety system is not properly installed and aligned.</p> |
|  <p>Wireless Keyless Entry Keypad *</p> | <p>Program the keyless entry pad accordingly and access the door using the PIN code.</p> |
|  <p>3-Button Mini Remote Control*</p> | <p>Remote distance up to 100 ft. in open field. For safety concerns, the hand-held remote WILL NOT work if the photo eye safety system is not properly installed and aligned.</p> |


***Optional**

See Accessories in Repair Parts section of this manual for purchase.

Door Status vs. Activation

| Door status |  Activation using Push Button / Remote |
|---------------------------------------------------------|-------------------------------------------------------------------------------------------------------------------------|
| Door at fully open / close position | Door will move to fully close / open position |
| Door is closing | Door will reverse |
| Door is opening | Door will stop |
| Door is stopped as intended in partially open position | Close |
| Door is obstructed while closing | Door will reverse while flashing courtesy light |
| Door is obstructed while opening | Door will stop |
| Door is fully opened and photo eye system is obstructed | Door will not close |

Courtesy Light Responses

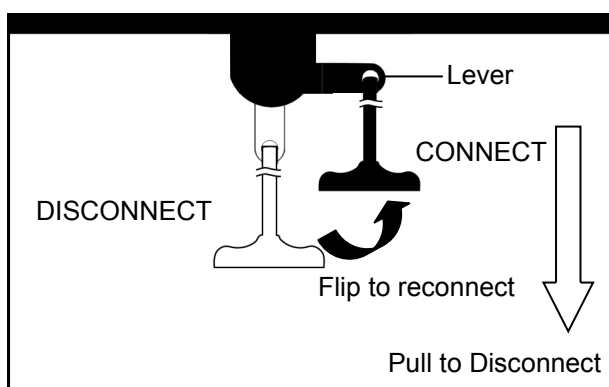
| Operation / Condition |  Courtesy Light Response |
|---------------------------------------------------------------------------------------------|-----------------------------------------------------------------------------------------------------------|
| Opener is initially plugged-in / Power restored | Flashes five times |
| Upon opener activation | Turns on for 4-1/2 minutes and turns off automatically |
| "LEARN" button is pressed | Turns on for 30 seconds |
| Remote / Keyless entry PIN code accepted | Flashes twice |
| The photo eye system is obstructed during door-closing or door is obstructed during opening | Flashes for 30 seconds (Re-align and clear obstruction) |
| Opener motor overheat (Thermal Protection) | Flashes 5 times (Wait about 15 minutes to cool down) |

Manual Operation

WARNING

To prevent **SERIOUS INJURY** or **DEATH**:

- Use emergency release to disconnect trolley **ONLY** when the door is **CLOSED** to prevent unexpected rapid falling in case of a unbalanced / poor-conditioned door.
- Use emergency release **ONLY** when doorway is clear of persons and obstructions.
- **DO NOT** use emergency release to pull the door open or closed.



In case of a power failure or door obstruction, **PULL EMERGENCY** handle to release door from opener.

To Disconnect Trolley for Manual Operation

With the door closed, pull down the emergency release handle to the **DISCONNECT** position. The door can be raised / lowered manually.

To Re-connect Trolley

Pull the handle toward the opener so that the lever will flip up to the **CONNECT** position. The trolley will reconnect itself when the opener is activated or when the door is manually opened/ closed

Maintenance

| Schedule | Maintenance |
|--------------|----------------------------------------------------------------------------------------------------------------------------------------------------------------------------------------------------------------------------------------------------------------------------------------------------------------------|
| Once a month | Door balance test, refer to page 4. Safety reverse test, refer to page 19. |
| Twice a year | Check chain tension (refer to page 6 for adjustment if necessary). |
| Once a year | - Limit and force adjustment may be necessary due to weather conditions. Refer to pages 17-18 for adjustment. Conduct safety reverse test after ANY adjustments. - Lubricate door rollers, bearings and hinges. The opener is permanently lubricated, DO NOT lubricate or grease the opener, rail or door tracks. |

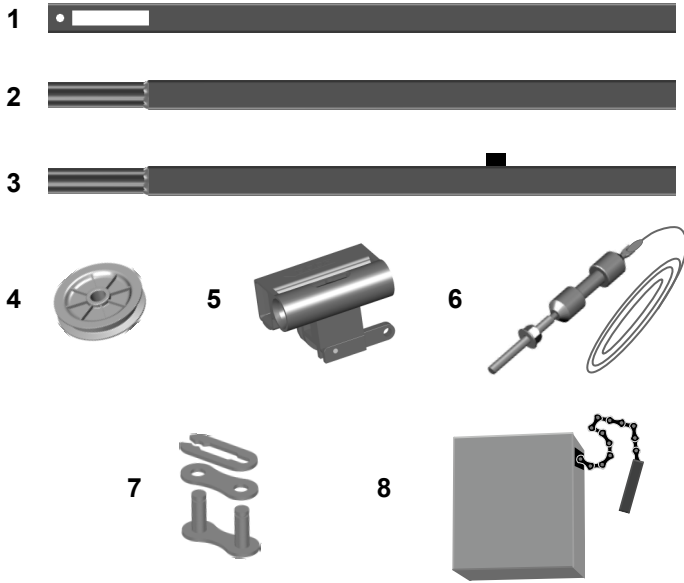
Troubleshooting

| Problem | Possible Cause / Solution |
|--------------------------------------------------------------------------------|--------------------------------------------------------------------------------------------------------------------------------------------------------------------------------------------------------------------------------------------------------------------------------------------------------------------------------------------------------------------------------------------------------------------------------------------------------------------------------------------------------------------------------------------------------------------------------------------------------------------------------------------------------------------------------------------------------------------------------------------------------------|
| Opener does not close and light flashes | The photo eye safety system is misaligned or obstructed, refer to pages 16 for proper alignment. |
| Opener does not respond to remote | - Refer page 20 to reprogram remote. - Check remote battery |
| Opener stops before reaching full open / close position | Either the travel limit or force is not properly adjusted, check adjustment referring to pages 17-18. Conduct safety reverse test after ANY adjustment. |
| The door reverses unintentionally | - Make sure the photo eye safety system is aligned and clear of obstructions. - Refer to page 4 to check the door balance - Refer to page 18 to re-adjust the force |
| The door reverses upon touching the floor and the courtesy light flashes | Refer to page 17 to decrease close limit by 1/4 turn until door stops as intended at the fully closed position. Conduct safety reverse test after ANY adjustment. |
| The courtesy light flashes 5 times and the Opener does not start | Opener motor overheat, please wait about 15 minutes and retry. |
| The opener does not close the door and the green LED on the photo eyes flashes | The photo eye safety system is misaligned or obstructed, refer to page 16 for proper alignment. |
| The opener is working properly but the courtesy light does not turn on | Replace light bulb (A19 incandescent Max. 100W). |
| The courtesy light does not turn off | Defective logic board. |
| The opener hums as the trolley hits the trolley stop bolt in open travel | <ol style="list-style-type: none"> 1. Make sure the trolley is towards the trolley stop bolt. 2. Disconnect the trolley by using the emergency release. 3. Close the door manually 4. Relieve the chain tension by loosening both the chain-to-cable connector and the flange nut (see page 6) 5. Operate the opener so the trolley shaft travels towards the door (Trolley should be kept disconnected) 6. Refer to page 17 to decrease open travel limit by 2 full turns 7. Refer to page 6 to re-tighten the chain until it is 1/4" (6mm) above the base of rail (reference the figure shown on page 6). 8. Repeat the above steps if the trolley still hits the stop bolt. |

Repair Parts

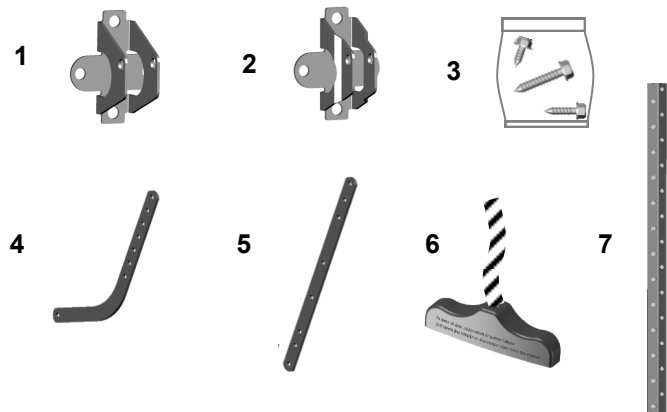
To purchase repair parts, call 1-888-331-4569.

Rail Assembly Parts



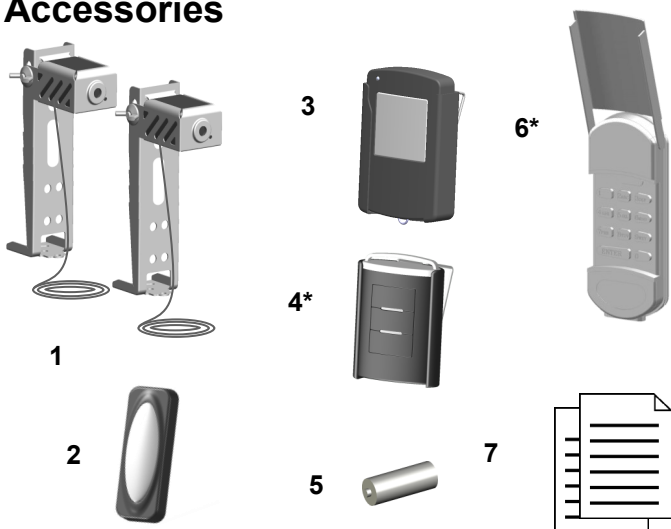
| Item | Part No. | Name / Description |
|------|----------|---------------------------------|
| 1 | RP-001 | Rail—Header Segment |
| 2 | RP-002 | Rail—Middle Segments |
| 3 | RP-003 | Rail—End Segment with Stop Bolt |
| 4 | GUT-840 | Pulley |
| 5 | RP-004 | Trolley |
| 6 | RP-005 | Trolley Shaft and Cable |
| 7 | GUT-410 | Master Link Set |
| 8 | RP-006 | Chain |

Installation Parts



| Item | Part No. | Name / Description |
|------|----------|----------------------------------------------------------------------------------------|
| 1 | RP-007 | Header Bracket |
| 2 | GUAT-022 | Door Bracket |
| 3 | RP-008 | Hardware Bag with Emergency Release Handle & Rope (Installation hardware shown on P.3) |
| 4 | GUAT-024 | Curved Door Arm |
| 5 | GUAT-025 | Straight Door Arm |
| 6 | GUAT-026 | Emergency Release Handle + Rope |
| 7 | RP-009 | Hanging Bracket |

Accessories

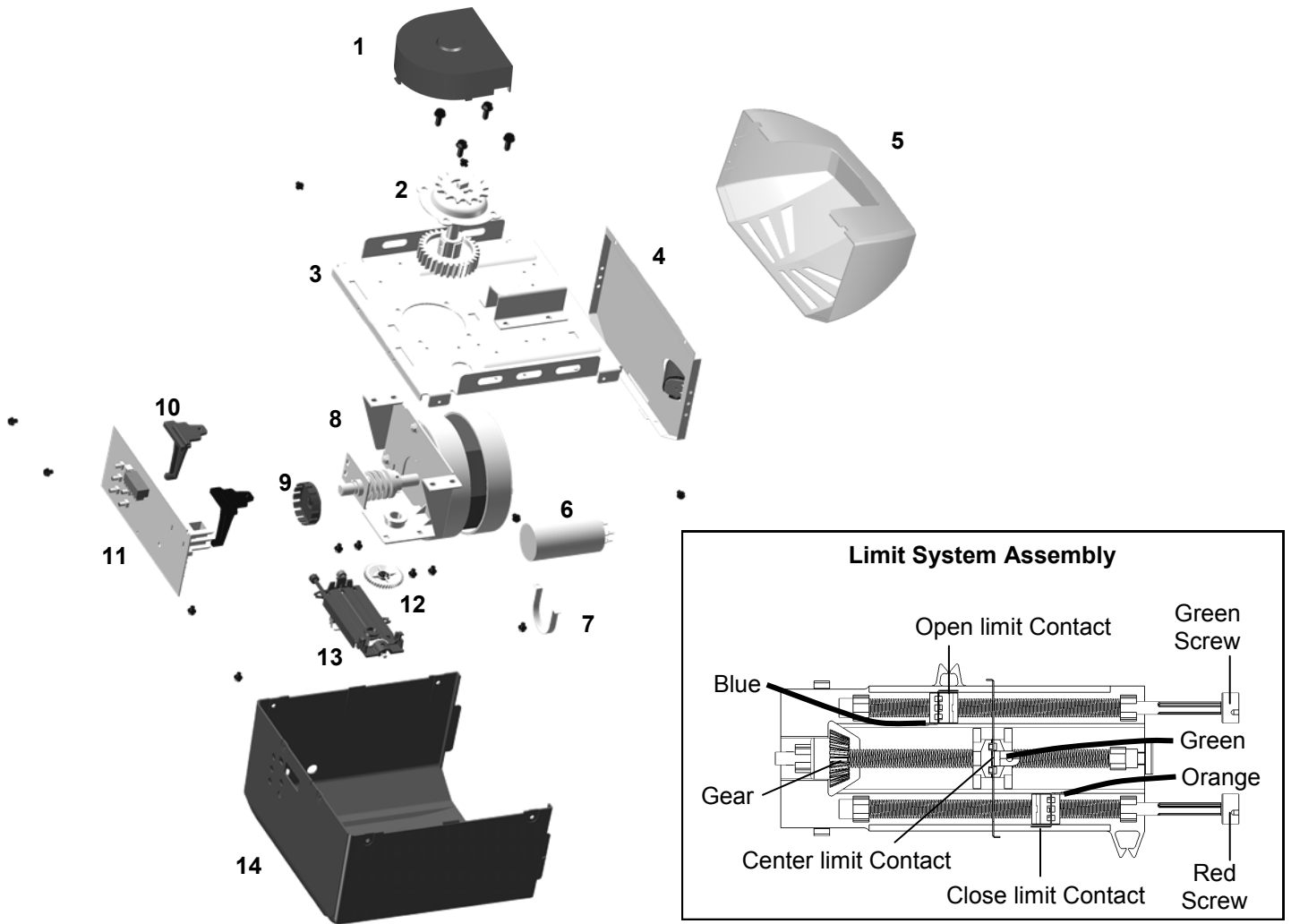


| Item | Part No. | Name / Description |
|------|----------|----------------------------------------------------------|
| 1 | GUAT-201 | Photo Eye Safety System (Emitter + Sensor with Brackets) |
| 2 | STDPX | Push Button |
| 3 | 58502 | 1-Button Remote |
| 4 | 57938 | 3-Button Mini Remote |
| 5 | GUAT-203 | 23AE 12 Volt Alkaline Battery |
| 6 | 57939 | Keyless Entry Pad |
| 7 | CR-001 | Owner's Manual |

*Optional

To purchase optional accessories, visit a Craftsman outlet, call 1-888-331-4569, or go online to www.sears.com

Opener Assembly Parts



| Item | Part No. | Name / Description |
|------|----------|-------------------------------------|
| 1 | GUAT-327 | Sprocket Cover |
| 2 | GUAT-323 | Sprocket and Gear Assembly |
| 3 | GUAT-341 | Chassis |
| 4 | GUAT-303 | Light Plate |
| 5 | CR-003 | Light Lens Cover |
| 6 | GUAT-305 | Capacitor |
| 7 | GUAT-306 | Capacitor Holder |
| 8 | CR-004 | AC Service Motor & Bracket Assembly |
| 9 | GUAT-308 | Garage Door Opener RPM Wheel |
| 10 | GUAT-309 | Logic Board Holder |
| 11 | GUAT-310 | Logic Board with Holder |
| 12 | GUAT-311 | Limit System Driving Gear |
| 13 | GUAT-312 | Limit System Assembly |
| 14 | CR-002 | Opener Cover |

* Should be replaced by qualified technician only

CRAFTSMAN WARRANTY

90-DAY IN-HOME LIMITED WARRANTY

FOR 90 DAYS from the date of sale this product is warranted against defects in material or workmanship. With proof of purchase a defective product will be repaired free of charge.

LIMITED WARRANTY ON PARTS

FROM THE 91st DAY THROUGH 1 YEAR from the date of sale this product is warranted against defective parts. With proof of purchase a new part will be furnished to replace a defective one free of charge. Any costs for professional installation are not included.

LIMITED WARRANTY ON MOTOR

FROM THE 91st DAY THROUGH 4 YEARS from the date of sale the motor on this product is warranted against defects in material or workmanship. With proof of purchase a new motor will be furnished to replace a defective one free of charge. Any costs for professional installation are not included.

WARRANTY SERVICE

For warranty coverage details to obtain product repair or replacement parts, call this number:
1-888-331-4569

WARRANTY RESTRICTION

This warranty does not cover light bulbs, which are expendable parts, or repair parts necessary because of operator abuse or negligence, including the failure to install, adjust and operate this garage door opener according to instructions contained in the owner's manual. This warranty also does not cover any problems caused by interference.

LIMITATION ON LIABILITY

Seller will not be liable for loss or damage to property or any incidental or consequential loss or expense from property damage due directly or indirectly to the use of this product. Some states do not allow the exclusion or limitation of incidental or consequential damages, so the above limitation or exclusion may not apply to you.

DISCLAIMER OF IMPLIED WARRANTIES

Except for the motor, all implied warranties for this product, including but not limited to any implied warranties of merchantability and fitness for a particular purpose, are limited in duration to the 90 day and 91st day through 1-year limited warranty period set forth above. All implied warranties with respect to the motor are limited in duration to the 91st day through 4-year limited warranty period set forth above. No implied warranties will exist or apply after such periods. Some states do not allow limitations on how long an implied warranty lasts, so the above limitations may not apply to you.

This warranty applies only while this product is in use in the United States.

This warranty gives you specific legal rights, and you may also have other rights which vary from state to state.

Transform SR Brands Management LLC, Hoffman Estates, IL 60179

Tabla de Contenidos

Introducción

| | |
|----------------------------------------------|----|
| Símbolos e Íconos | 29 |
| Inventario | 30 |
| Preparación / Prueba de Balance de la Puerta | 31 |
| Herramientas Requeridas | 31 |

Montaje

| | |
|------------------------------------------|----|
| Montaje del Riel y Carro | 32 |
| Instalación de la cable y cadena | 33 |
| Instrucciones Importantes de Instalación | 34 |
| Montaje del Soporte Cabecero | 35 |

Instalación

| | |
|----------------------------------------------------------------|----|
| Colocación del Riel en el Soporte Cabecero | 36 |
| Montaje del Soporte de la Puerta | 36 |
| Montaje del Abre-puerta al Techo | 37 |
| Fijación de los Brazos de la Puerta | 38 |
| Instalación de la Luz y la Manija de Desconexión de Emergencia | 39 |

Cableado

| | |
|----------------------------------------------------|----|
| Instrucciones de Cableado | 40 |
| Conexión del Sistema de Seguridad de Sensor Óptico | 41 |
| Conexión del Botón Pulsador | 42 |
| Conexión de la Fuente de Alimentación | 43 |

Ajuste

| | |
|------------------------------------------------------|----|
| Alineación del Sistema de Seguridad de Sensor Óptico | 43 |
| Ajuste del Límite de Desplazamiento | 44 |
| Ajuste de Fuerza | 45 |
| Ajuste Final y Prueba | 46 |

Operación

| | |
|---------------------------------------------------------|-------|
| Programación del Control Remoto | 47 |
| Programación del panel de entrada inalámbrico sin llave | 48 |
| INSTRUCCIONES IMPORTANTES DE SEGURIDAD | 49 |
| Funcionamiento del Abre-puerta | 50-51 |
| Mantenimiento | 52 |
| Solución de Problemas | 52 |

Repuestos y Servicio

| | |
|---------------------------------------|----|
| Instalación y Accesorios | 53 |
| Montaje de las Partes del Abre-puerta | 54 |

Garantía

55

Símbolos e iconos



ADVERTENCIA

LEA LAS ADVERTENCIAS CON CUIDADO para evitar **LESIONES GRAVES o LA MUERTE** causadas por electrocución o riesgo mecánico.



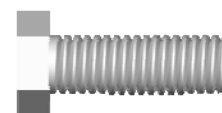
NO conecte la electricidad.



Por favor, conecte la electricidad.

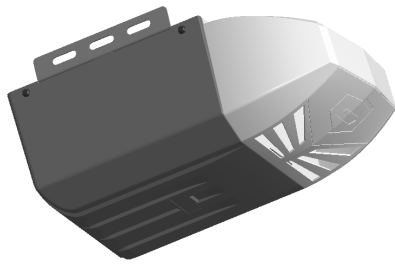


La luz interior se enciende / parpadea con el "clic" audible.
(Si la bombilla no está instalada, el 'clic' representa la luz).

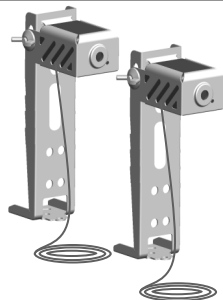


Equipo de instalación

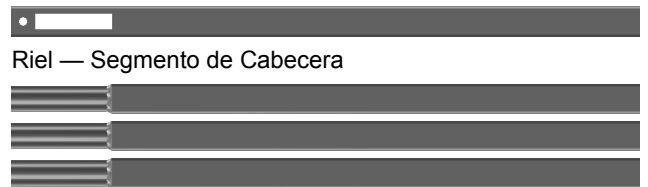
Inventario



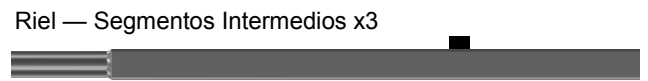
Abre-puertas de garage y mica



Fotoelectrico

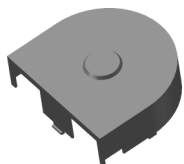


Riel — Segmento de Cabecera



Riel — Segmentos Intermedios x3

Riel — Segmento Final con perno de Parada del Carro



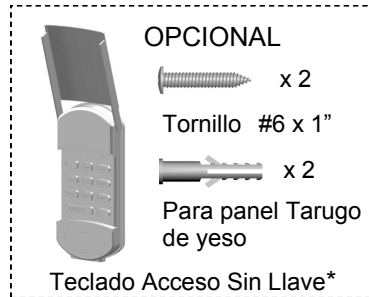
Cubierta de portacadena



1-Botón Remoto



Botón de Control



OPCIONAL

Tornillo #6 x 1" x 2

Para panel Tarugo de yeso

x 2

Teclado Acceso Sin Llave*

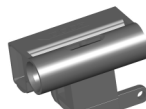


OPCIONAL

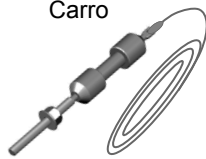
3-Mini Botón Remoto*



Manilla de Emergencia + Cuerda



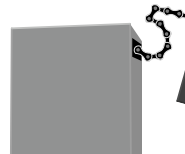
Carro



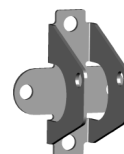
Varilla Eje del carro y cable



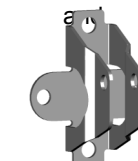
Soportes Colgantes



Cadena



Soporte de cabecera



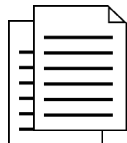
Soporte de la puerta



Polea



Brazos de la Puerta



Literatura + Etiquetas de seguridad

* Consulte la sección Accesorios en las piezas de reparación de este manual para obtener información sobre la compra.

INSTALACIÓN DE HERRAJES, UBICACIÓN EN LA BOLSA DE HERRAJES (MOSTRADO EN TAMAÑO REAL)



Pasador de horquilla — Brazos Puerta 5/16" x 1 x 2



Pasador horquilla-Sop. Cabecal 5/16" x 1-1/2" x 1



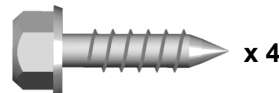
Pasador horquilla — Polea 3/8" x 1-3/4 x 1



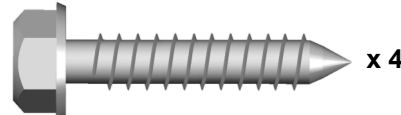
Pasador — Pasadores de Cierre x 4



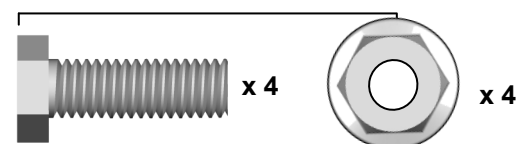
Tornillo Tirafondo 1/4" x 5/8" x 2 Soporte de la Puerta



Tornillo Tirafondo #12 x 1" — Sistema de sensor fotoelectrico x 4



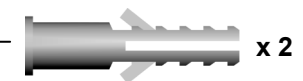
Tornillo Tirafondo 5/16" x 1-1/2" — Soporte Cabecal / Montaje Abridor x 4



Perno 5/16" x 1" 5/16" Tuerca debrida x 4 — Brazos Puerta / Montaje Abre-puertas



Tornillo #6 x 1-1/4" - Botón de control x 2



Sujetadores para muro falso - Botón de control x 2



Ranuro - del perno x 1



Grapa x 30

Preparación

ADVERTENCIA

Para evitar LESIONES GRAVES o la MUERTE:

- Antes de iniciar la instalación de la unidad, por favor, complete la siguiente prueba para asegurar que su puerta esté balanceada y en buenas condiciones de funcionamiento.
- Una puerta mal balanceada puede causar lesiones graves y daños en la unidad abre-puertas.
- Siempre haga que un técnico de servicio calificado en puertas de garaje realice los ajustes o las reparaciones necesarias en su puerta antes de proceder con la instalación.
- **DESACTIVE TODOS LOS SEGUROS y RETIRE TODAS LAS CUERDAS** conectadas a la puerta del garaje **ANTES** de instalar o hacer funcionar la unidad abre-puertas.



Para evitar el daño de la puerta y de la unidad abre-puertas:

- NO conecte la electricidad sino hasta que se le indique.
- Haga funcionar esta unidad abre-puertas **SÓLO** con fuente de energía de CA de 120 V/60 Hz.

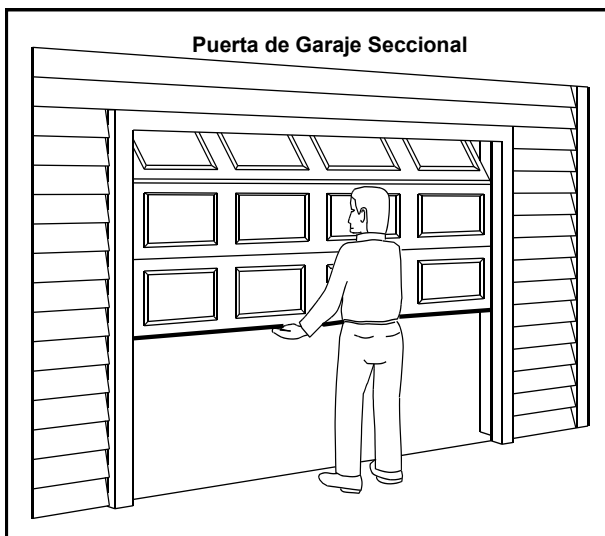
NO reutilizar partes de otra marca DEL ABRE-PUERTA !!!

ANTES de Comenzar la Instalación:

1. **Desactive las cerraduras y quite todas las cuerdas Conectadas a la puerta de garaje.**
2. **Realice las siguientes pruebas a la puerta para asegurarse que este balanceada y en buenas condiciones de funcionamiento.**

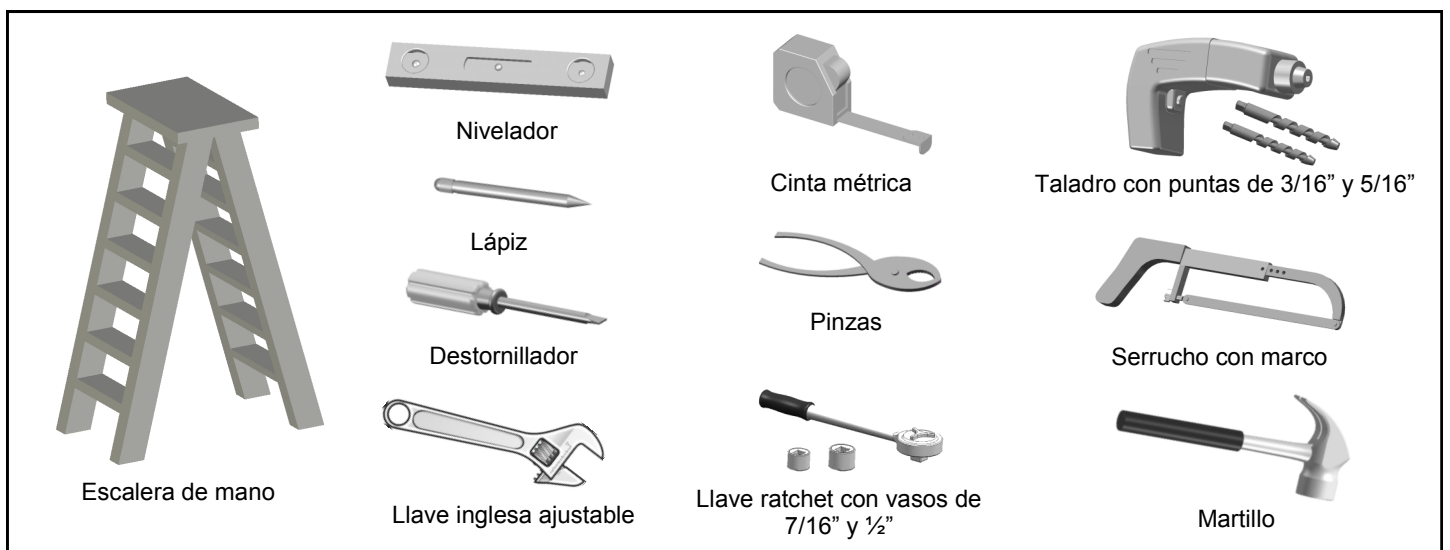
Para Probar su Puerta de Garaje

1. Levante y baje la puerta para ver si hay adherencia o traba.
2. Verifique si hay bisagras sueltas, rodillos dañados, cables desgastados y resortes dañados o rotos.
3. Levante la puerta hasta aproximadamente la mitad y suéltela. La puerta debe permanecer en mantenerse en el punto bajo la tensión de resorte apropiada.



Puerta de Garaje Seccional

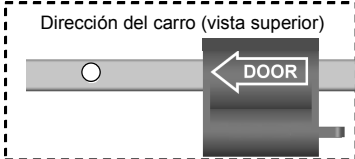
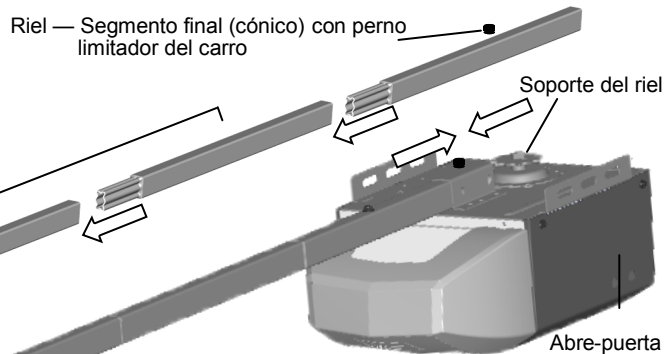
Herramientas requeridas



Montaje del Reil y Carro

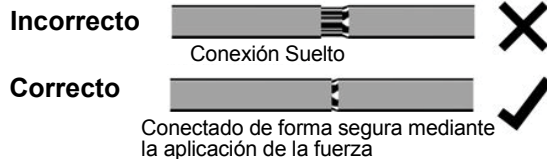
PRECAUCIÓN

- NO conecte la electricidad sino hasta que se le indique.
- Para evitar LESIONES, mantenga las manos y los dedos lejos de las juntas y de los posibles bordes filosos.
- Utilice guantes al instalar la cadena y el cable.



Riel — Segmentos del medio (cónico) x 3

Riel — Segmento de cabecera



Cuando conecte los rieles, asegúrese de que queden conectados de forma segura, como se muestra arriba.

Para aplicar fuerza adicional, golpee suavemente el extremo del riel con un martillo de goma*

Fig.1

* Utilice únicamente un martillo de goma suave para golpear el extremo de los rieles, ya que otras herramientas pueden dañar el riel. Si la cadena y los rieles suministrados no son lo suficientemente largos para su instalación, puede comprar un kit de extensión de cadena de 8 pies o 10 pies. Para comprar un kit,

Si la cadena y los rieles suministrados no son lo suficientemente largos para su instalación, puede comprar un kit de extensión de cadena de 8 pies o 10 pies. Para comprar un kit, visite una tienda de Craftsman, llame al 1-888-331-4569, o vaya en línea a www.sears.com

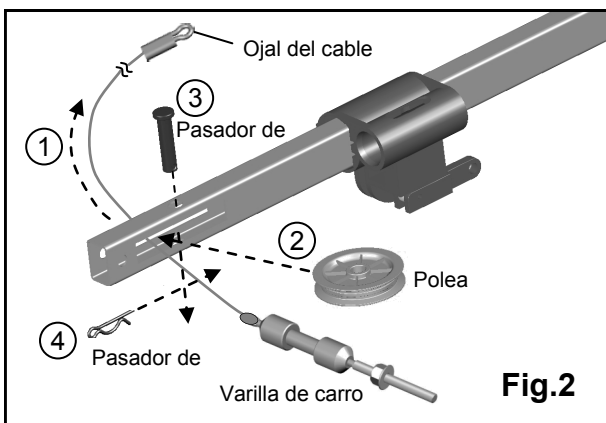
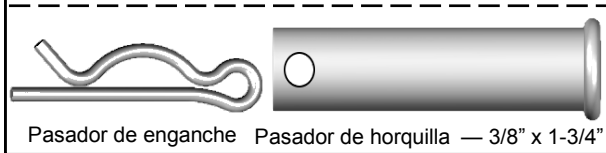


Fig.2



Para ensamblar el riel y el abre-puerta

1. Prepare los rieles como se muestra en la Fig. 1.
2. Conecte los rieles a partir del segmento de cabecera. Coloque los extremos cónicos en los extremos abiertos y golpee el riel sobre un suelo acolchonado para aplicar cualquier fuerza adicional necesaria. Asegúrese de que el segmento del extremo tenga el perno limitador del carro hacia arriba. Asegúrese de que los rieles estén conectados firmemente como se muestra.
3. Deslice el carro sobre el riel del segmento de cabecera. Asegúrese de que la flecha apunte hacia la puerta, como se muestra en la Fig.1 .
4. Conecte el ensamblaje del riel en el soporte de riel sobre el abre-puerta.

Para ensamblar la sección de cabecera del riel

1. Siga los pasos que se muestran en la Fig. 2:
2. Retire "el cable y la varilla del carro" de la caja de la cadena y colóquela al lado del ensamblaje del riel. Sostenga el ojal del cable sobre el extremo del cable y pase aproximadamente 20" (50 cm) por la ranura del segmento de cabecera del riel.
3. Coloque la polea en la abertura mientras el cable cuelga.
4. Coloque el pasador de horquilla de 3/8" x 1-3/4" por la parte superior del riel para asegurar la polea.
5. Bloquee el pasador de horquilla con un pasador de enganche. Gire la polea para asegurarse de que gira sin problemas.

Consulte la Fig. 3 para conectar la varilla de carro con el carro. Deslice la varilla de carro contra el carro. Cuando se conecten, escuchará un "clic".

Para conectar el cable con la cadena

Consulte la Fig. 4. Coloque la caja de la cadena al lado del riel, sostenga "el conector de cadena a cable" y tire aproximadamente 8" (20 cm) de cadena de la caja. Pase el conector de cadena a cable sobre la varilla de carro para que queden conectados de manera suelta.

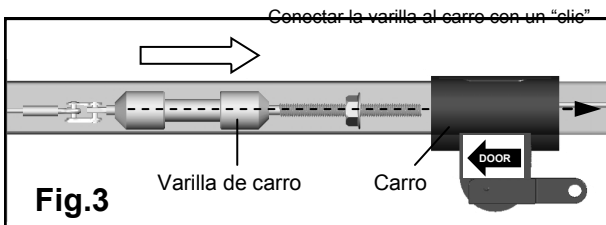


Fig.3

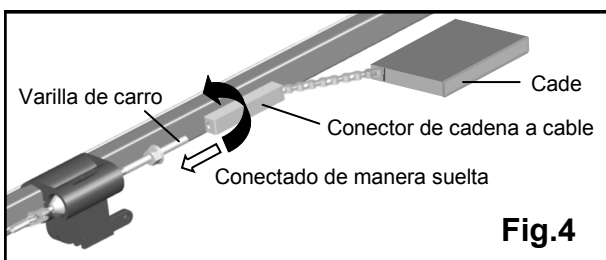


Fig.4

Instación del cable y la cadena

⚠ ADVERTENCIA

Para evitar LESIONES GRAVES:

- NO conecte la electricidad sino hasta que se le indique.
- Mantenga las manos y los dedos lejos de la rueda dentada durante la operación.
- Utilice guantes cuando instale la cadena y el cable.
- Mantenga las manos y los dedos lejos de las juntas y de los posibles bordes filosos.

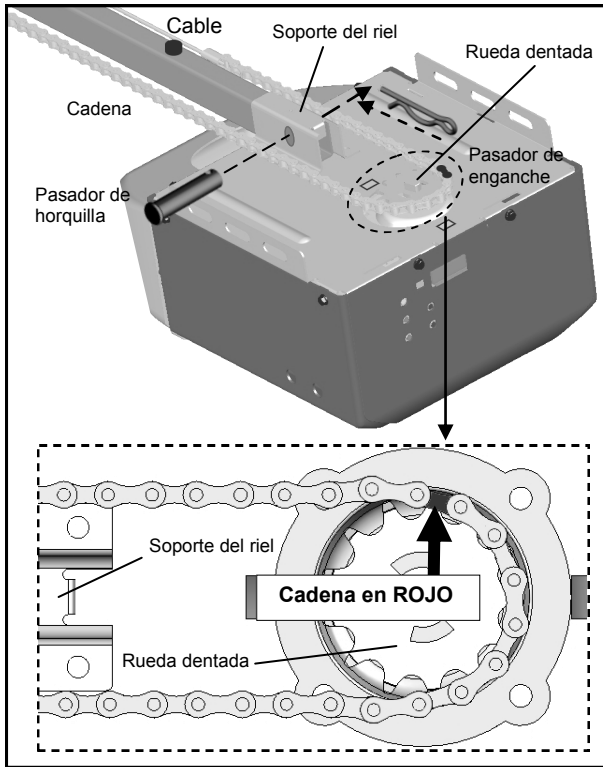


Fig.1

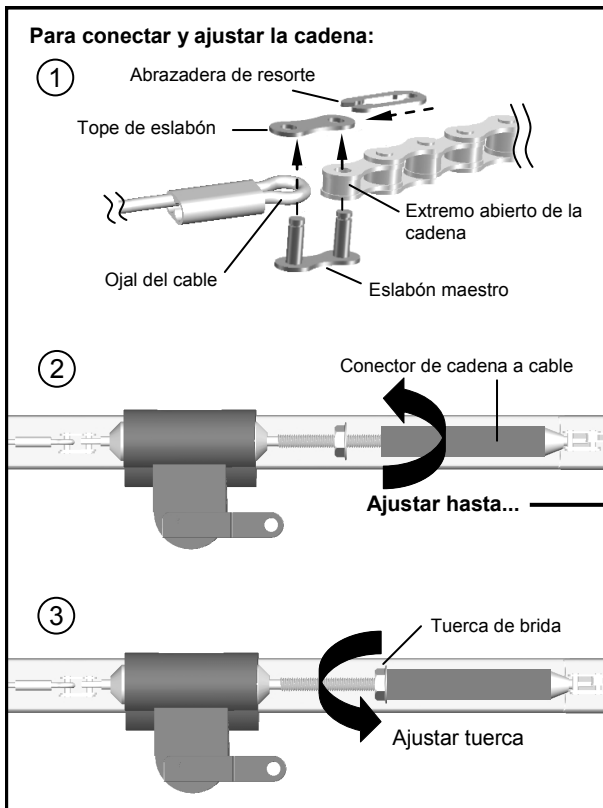


Fig.2

Para instalar la cadena

1. Tire el resto de la cadena a lo largo del riel hacia el abre-puerta.
2. Se observará un segmento de la cadena marcado con ROJO. Coloque este segmento en la ubicación aproximada sobre la rueda dentada, como se muestra en la Fig. 1.
3. Cuando la cadena quede adecuadamente alineada alrededor de la rueda dentada, tire el conector de cadena a cable hacia la varilla del carro.

Siga los pasos que se muestran en la Fig. 2 para conectar y ajustar la cadena:

1. Alinee el extremo abierto de la cadena con el ojal del cable y conéctelos con el conjunto de eslabones maestros.
2. Gire el conector de cadena a cable sobre la varilla del carro hasta que la cadena quede aproximadamente 1/4" (6 mm) sobre la base del riel. Compare con la imagen a continuación.
3. Ajuste la tuerca de brida sobre la varilla del carro contra el conector de cadena a cable.

Cuando la cadena y el cable queden ajustados alrededor del riel y la rueda dentada sobre el abridor, controle y asegúrese de que queden adecuadamente alineados y no retorcidos. Coloque la cubierta de la rueda dentada en el abre-puerta, como se muestra en la Fig. 3.

Aviso

Durante el funcionamiento, es normal que la cadena parezca suelta cuando la puerta se cierra. Si la cadena regresa a la posición cuando se abre la puerta, como se muestra a continuación, la cadena estará adecuadamente ajustada. NO vuelva a ajustar la cadena.

Quando realice tareas de mantenimiento, siempre TIRE la llave de liberación de emergencia para DESCONECTAR la puerta de el abre-puerta antes de ajustar la cadena.

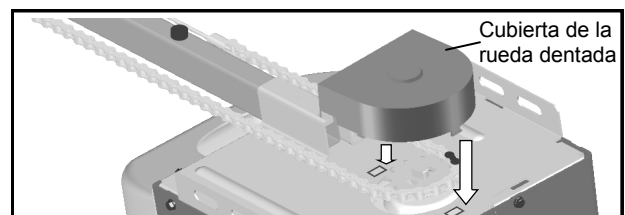
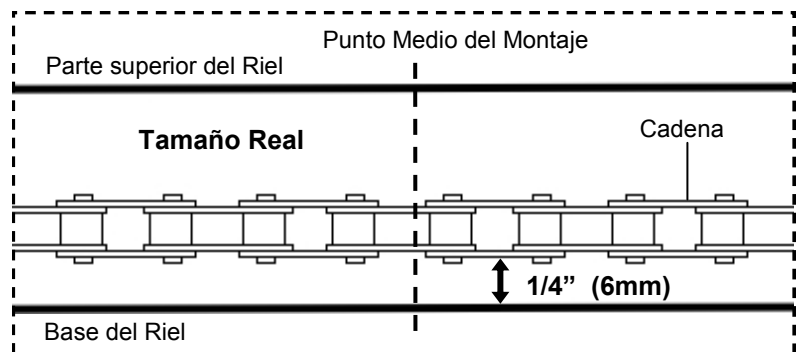


Fig.3

Instrucciones Importantes de Instalación

ADVERTENCIA

Para reducir el riesgo de lesiones graves o la muerte:

1. LEA Y RESPETE TODAS LAS ADVERTENCIAS Y LAS INSTRUCCIONES DE INSTALACIÓN.
2. Instale el abre-puerta solamente en puertas de cochera que estén bien equilibrado y lubricados. Si la puerta no está debidamente equilibrada es posible que no retrocede cuando así se requiera y podría ocasionar una lesión grave o incluso la muerte. Todas las reparaciones de los cables, resortes y otras partes deben ser realizadas por un técnico especializado en sistemas de puertas, antes de instalar el abre-puerta.
3. Desarme todos los seguros y retire todas las cuerdas conectadas a la puerta del garaje antes de instalar el abre-puerta para evitar que se enreden.
4. Instale el abre-puerta de la cochera a una distancia de 2.13 m (7 pies) o más del piso. Monte la manija de liberación de emergencia dentro de su alcance, pero una altura mínima de 1.8 m (6 pies) sobre el piso y evitar contacto con los vehículos para evitar liberación accidental.
5. No conecte el abre-puerta de la cochera a una fuente de energía eléctrica hasta que se le indique.
6. Instale el botón de control: (a) de manera que quede a la vista de la puerta de la cochera, (b) fuera del alcance de los niños y a una altura mínima de 1.5 m (5 pies), (c) lejos de todas las partes móviles de la puerta.
7. Coloque la etiqueta de advertencia del riesgo de quedar atrapado en la pared cerca del botón de control de la cochera.



Coloque la etiqueta de advertencia del riesgo de quedar atrapado en la pared cerca del control de la puerta de cochera.

8. Pruebe el sistema de reversa de seguridad al terminar la instalación. La puerta de la cochera debe retroceder al entrar en contacto con un objeto que mida 50 mm (1-1/2") de altura (o una tabla de 50x 100 mm [2x4"] en posición horizontal) en el piso.

Montaje del Soporte Cabecero

⚠️ ADVERTENCIA

Para evitar LESIONES GRAVES:

- NO conecte la electricidad sino hasta que se le indique.
- El soporte del travesaño DEBE estar BIEN sujeto al soporte estructural sobre la pared o en el techo de montaje, de lo contrario, la puerta no podrá retroceder cuando se requiera. NO instale el soporte del travesaño sobre drywall.
- DEBEN utilizarse anclajes de concreto cuando el montaje del soporte del travesaño es en mampostería.
- NUNCA trate de soltar, mover o ajustar los muelles, cables, poleas, soportes o equipos de puerta de garaje todos los cuales están bajo EXTREMA tensión.
- Si su puerta se atora, se atasca o está desequilibrada, póngase en contacto con un técnico de servicio calificado en puertas de garaje. Una puerta que no esté balanceada puede no retroceder cuando se requiera.

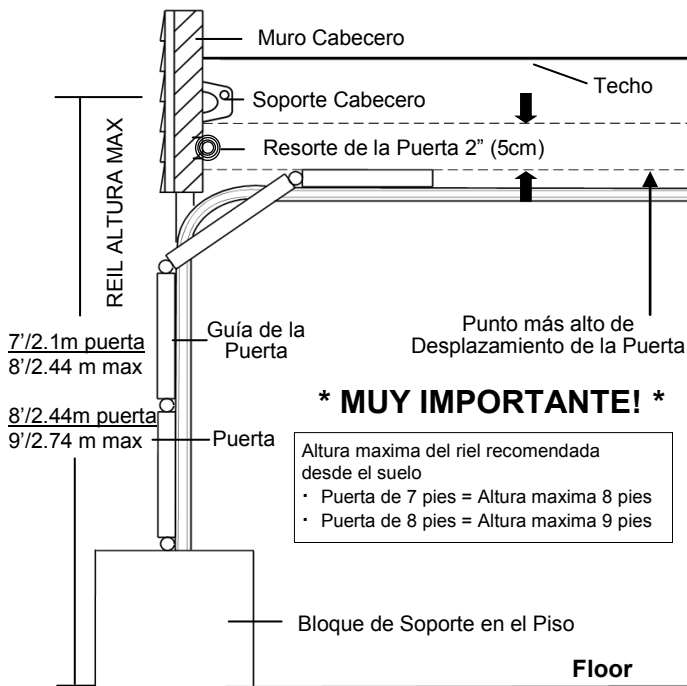


Fig.1

Para Instalar el Soporte Cabecero

Nota: Los procedimientos de instalación pueden variar de acuerdo al tipo de puerta.

1. Mientras esté dentro de su garaje, cierre la puerta y marque la línea central vertical de la puerta de garaje. Extienda la línea sobre la pared del cabecero por encima del resorte de la puerta.
2. Abra la puerta en el punto más alto de desplazamiento. Marque una línea en la pared del cabecero 2" (5cm) por encima del punto más alto de desplazamiento.

Nota: NO instale el Soporte Cabecero sobre una mampostería. En algunas instalaciones, puede ser necesario instalar un 2x4 a través de dos montantes para crear un lugar adecuado para el Soporte Cabecero.

Si se instala sobre mampostería, utilice dos tacos de fijación de concreto (no están incluidos).

Montaje en Pared

Como se muestra en la Figura 2, coloque el Soporte Cabecero en la línea central vertical en la dirección mostrada.

Marque y realice dos orificios de 3/16" (5mm). Ajuste el Soporte Cabecero de manera segura en la estructura de soporte utilizando dos Tornillos de Tirafondo de 5/16" x 1-1/2".

Montaje Alternativo en Techo

Se sugiere realizar el montaje en techo SÓLO cuando el espacio libre es mínimo.

Extienda la línea central vertical sobre el techo como se muestra en la Figura 3. Centre el Soporte Cabecero en la marca vertical, no más de 6" (15cm) del muro cabecero. Marque y realice orificios para ajustar el Soporte Cabecero de manera segura en la estructura de soporte.

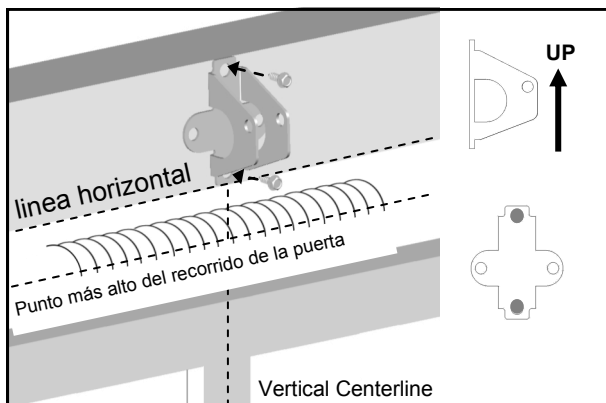


Fig.2 (Montaje en Pared)

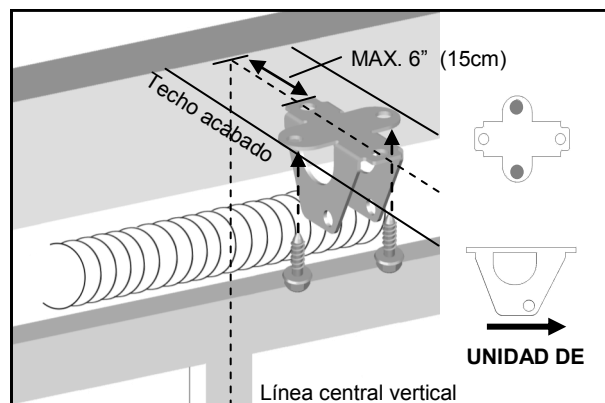
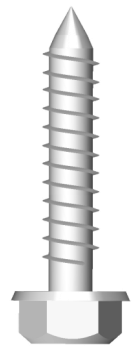


Fig.3 (Montaje en Techo)



Tornillo de Tirafondo
5/16" x 1-1/2"

⚠ ADVERTENCIA

Para evitar LESIONES GRAVES:

- NO conecte la electricidad sino hasta que se le indique.
- El REFUERZO horizontal y vertical es necesario para las puertas de garaje de fibra de vidrio, aluminio o acero ligero ANTES de instalar el soporte de la puerta. Póngase en contacto con el fabricante de su puerta para conocer las opciones de refuerzo.

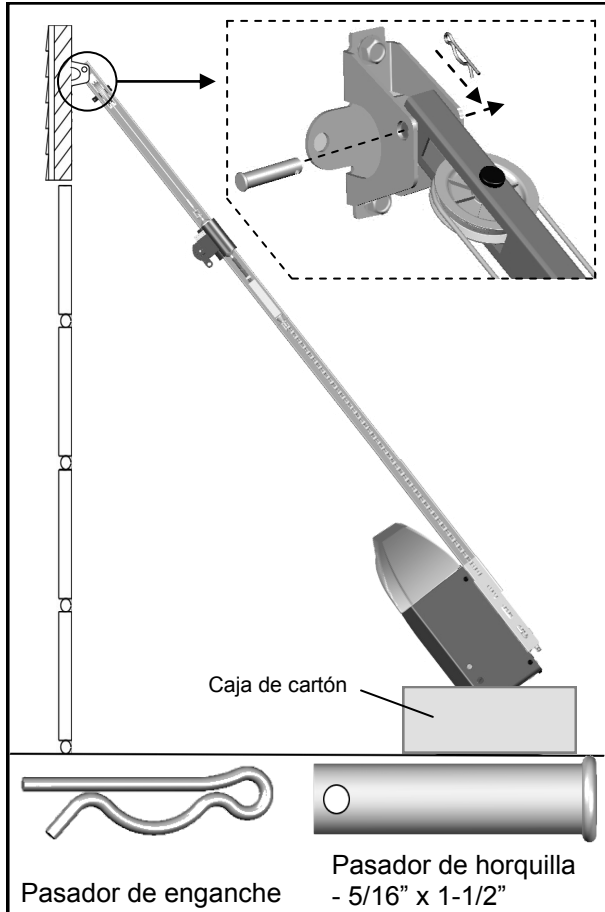


Fig.1

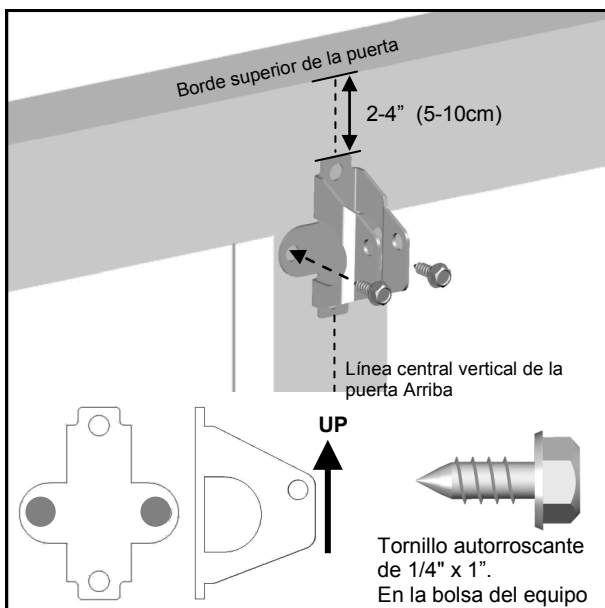


Fig.2

Unir el Abre-puerta con el Soporte Cabecero

1. Como se muestra en la Figura 1, utilice la caja de envoltura como soporte temporario del abrepuerta. Coloque el Abre-puerta en la caja para prevenir daños.
2. Alinee el orificio de montaje en el riel cabecero con el orificio de montaje en el Soporte Cabecero.
3. Conecte el Riel Cabecero con el Soporte de la Puerta con un perno de horquilla de 5/16" x 2-1/4" y asegúrelo con un pasador de horquilla.

Para montar el Soporte de la Puerta

Nota: Algunos kits de refuerzos para puertas pueden proveer una fijación directa del brazo de la puerta al soporte de refuerzo. Si usted tiene un soporte de refuerzo de la puerta con esta opción, saltee este paso y proceda al siguiente paso "Montaje del Sistema de Apertura en el Techo".

1. Posicione el Soporte de la Puerta en la línea central de la puerta aproximadamente de 2" - 4" (5-10cm) por debajo del borde superior de la puerta, como se muestra en la Figura 2.
2. Dependiendo de la construcción de su puerta, instale utilizando uno de los pasos que se muestran debajo en la Figura 3:

Para puertas de acero / livianas con refuerzos de acero verticales / refuerzos de fábrica.

- (A) Marque y realice dos orificios de 3/16" (5mm). Asegúrese de no taladrar a través de la puerta del garaje. Asegure el Soporte de la Puerta con dos tornillos autorroscantes de 1/4" x 1" (incluidos) como se muestra en la Figura 3(a).
- (B) Instalación alternativa: Realice dos orificios de 5/16" (8mm) a través de la puerta. Asegure el Soporte de la Puerta utilizando dos pernos de 5/16" (8mm), arandelas de seguridad y tuercas (no están incluidas) como se muestra en la Figura 3(b). La longitud de los pernos dependerá del grosor de su puerta.

Puerta de Madera

- (C) Marque y realice dos orificios de 5/16" (8mm) a través de la puerta del garaje. Asegure el Soporte de la Puerta utilizando dos pernos con cabeza de hongo de 5/16" (8mm), arandelas y tuercas (no están incluidas) como se muestra en la Figura 3(c). La longitud de los pernos dependerá del grosor de su puerta..

Nota: NO utilice Tornillos Autorroscantes en una puerta de madera

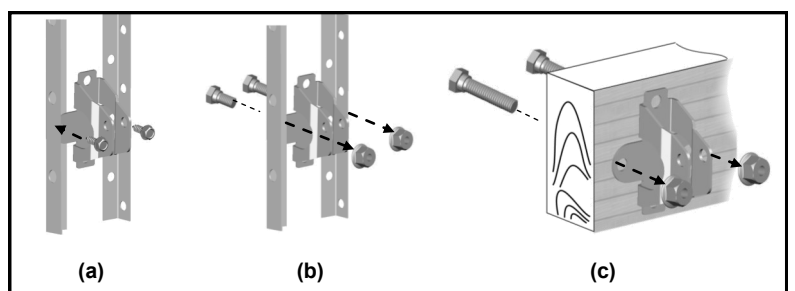


Fig.3

Montaje del Abre-puerta al Techo

ADVERTENCIA

Para evitar LESIONES GRAVES o la MUERTE:

- NO conecte la electricidad sino hasta que se le indique.
- Instale la unidad abre-puertas por lo menos a 7 pies (2,13 m) por encima del piso.
- Ajuste BIEN la unidad a los SOPORTES ESTRUCTURALES del garaje para evitar que se caiga.
- Si los soportes se instalan en mampostería, SE DEBEN utilizar anclajes de concreto (no incluidos).

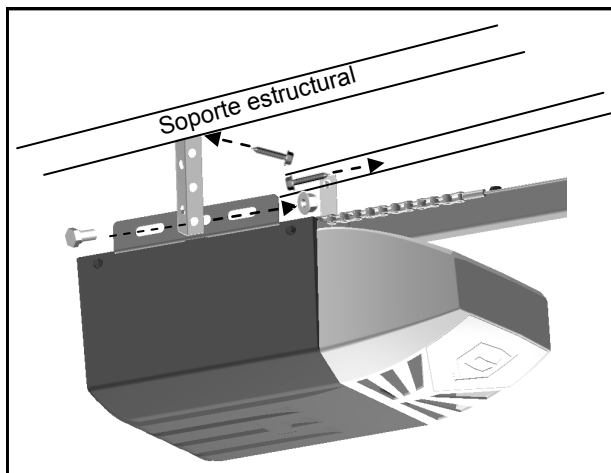


Fig.1

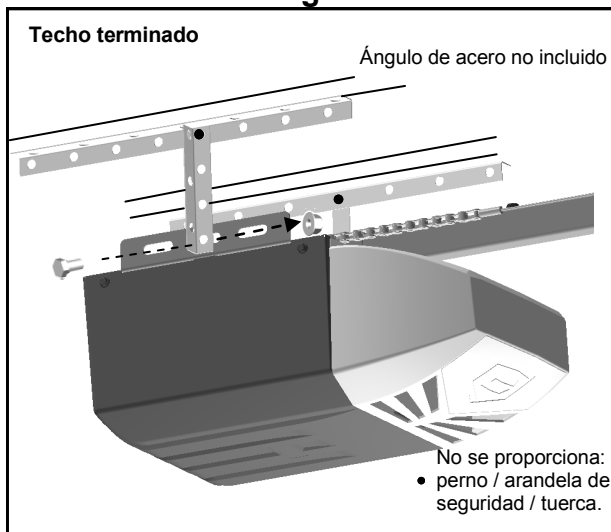


Fig.2

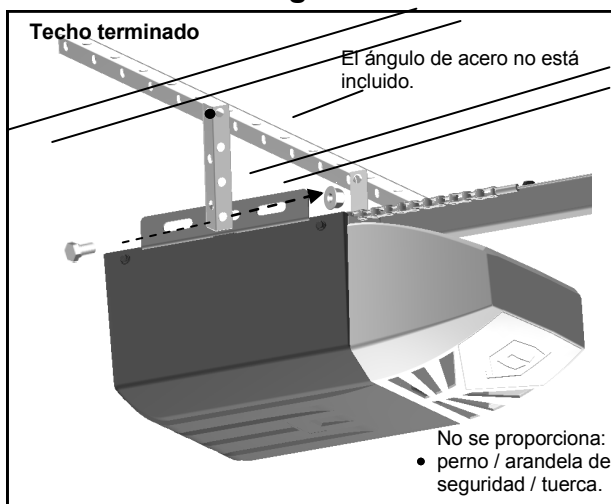


Fig.3

Para Montar el Abre-puerta al Techo

Las tres opciones de instalación más comunes están mostradas en las Figuras 1-3.

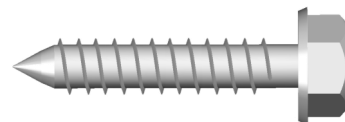
Figura 1 muestra el montaje del Abre-puerta directamente al soporte de estructura en el techo. Las Figuras 2 y 3 muestran el montaje en un techo terminado, con un hierro angular* de alta resistencia.

*(el hierro angular no está incluido)

Determine la opción de montaje que mejor funciona para su aplicación y siga los pasos de instalación que se encuentran debajo:

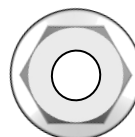
1. Levante el Abre-puerta y el montaje del riel y colóquelo temporalmente en una escalera.
2. Posicione el Abre-puerta y el montaje del riel para que quede alineado a la línea central de la puerta de garaje. Si el Soporte Cabecero fue montado fuera del centro, alinee el Abre-puerta con el Soporte Cabecero.
3. Mida la distancia de cada lado del Abre-puerta con los soportes estructurales.
4. Corte ambos Soportes Colgantes en la longitud adecuada
5. Realice orificios de 3/16" (5mm) en los soportes estructurales.
6. Asegure un extremo de cada Soporte Colgante a los soportes estructurales utilizando Tornillos de Tirafondo de 5/16"x1-1/2" (incluidos).
7. Asegure el Abre-puerta a los Soportes Colgantes y asegure cada lado con un Perno de 5/16"-18x1" y Tuercas de Brida (incluidas).
8. Mueva la puerta manualmente para verificar la distancia entre el punto de desplazamiento más alto de la puerta y el riel, levante el Soporte Cabecero o ajuste el montaje del Abre-puerta.
9. Quite la escalera SÓLO cuando el Abre-puerta este montado de manera segura a los soportes estructurales.

Ajuste de los Soportes Colgantes a los soportes estructurales

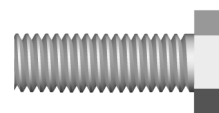


Tornillos de Tirafondo 5/16" x 1-1/2"

Asegurar el Abre-puerta a los Soportes colgantes



5/16" Tuerca de Brida



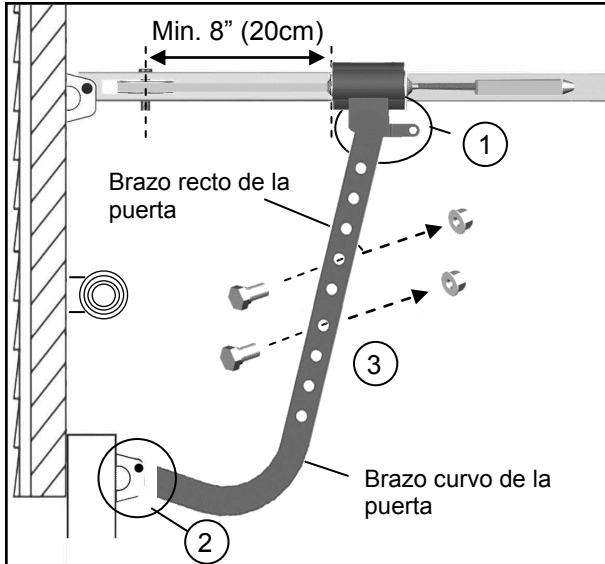
Perno 5/16" - 18 x 1"

Fijación de los Brazos de la Puerta

⚠ ADVERTENCIA

Para evitar LESIONES GRAVES:

- NO conecte la electricidad sino hasta que se le indique.
- Mantenga las manos y los dedos lejos de la rueda dentada durante la operación.
- Utilice guantes cuando instale la cadena y el cable.
- Mantenga las manos y los dedos lejos de las juntas y de los posibles bordes filosos.



NOTA: El brazo recto de la puerta debe ser instalado verticalmente a la puerta cuando la puerta está en la posición cerrada.

Para Conectar el Brazo de la Puerta

Siga los pasos que se muestran en la Figura 1

1. Ajuste el Brazo Recto de la Puerta con el Carro con un perno de horquilla de 5/16" - 18 x 1" y asegúrelo con un pasador de horquilla.
2. Ajuste el Brazo Curvo de la Puerta al Soporte de la Puerta con un perno de horquilla de 5/16" - 18 x 1" y asegúrelos con un pasador de horquilla.
3. Para conectar los brazos de la puerta, elija dos pares de orificios que estén lo más lejos posible uno de otros. Ajuste los brazos utilizando pernos de 5/16" - 18 x 1" y Tuercas de Reborde.

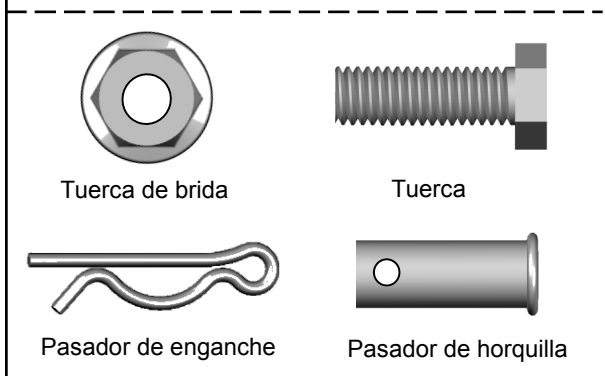
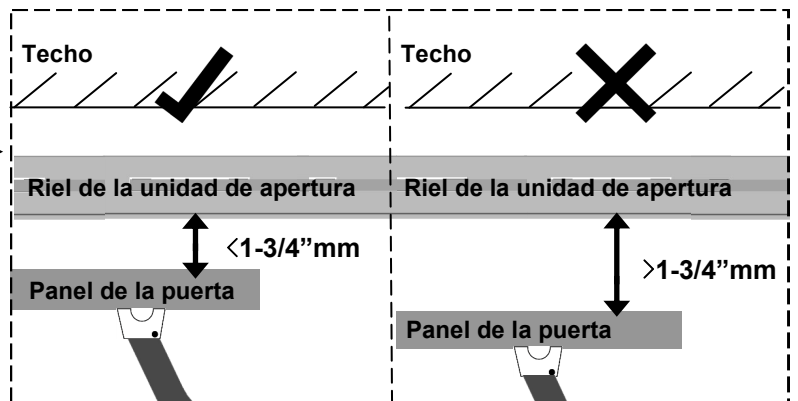
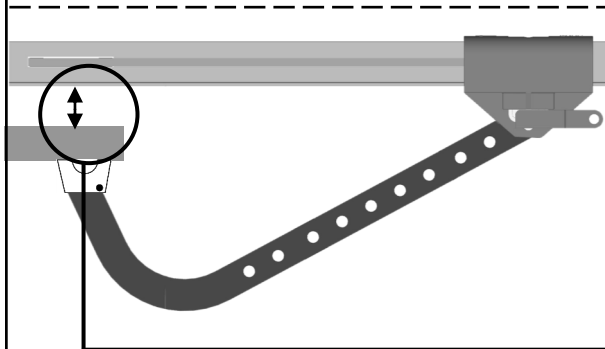
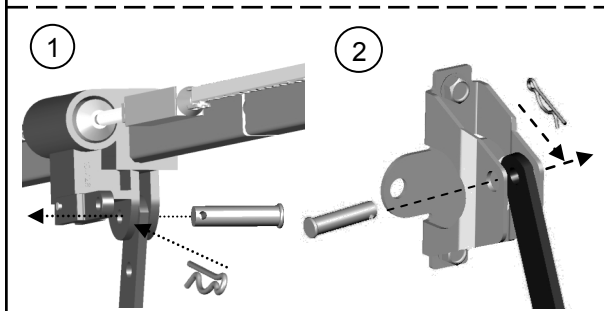


Fig.1

Instalación de la Luz y la Manija de Desconexión de Emergencia

ADVERTENCIA

Para prevenir LESIONES GRAVES o MUERTE por electrocución:

- Desconecte el cable de alimentación antes de instalar / reemplazar la bombilla.

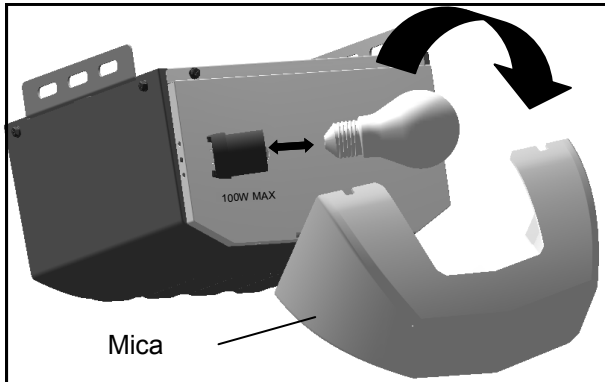
Para evitar un posibles SOBRECALENTAMIENTO o daños al abridor:

- Utilice SOLAMENTE bombillas incandescentes A19 (E26) * (100W máx.).

- NO utilice bombillas cortas o de especialidad.

- NO utilice bombillas halógenas.

* Las lámparas CFL o LED funcionarán pero pueden interferir con los controles remotos manuales.



Para instalar la luz:

1. Inserte el destornillador entre la mica y la tapa en los retenes, levante y tire de la tapa de la mica desde la parte superior y despréndala del abre-puerta.

2. Instale una bombilla de corriente estándar A19 (E26) de 100 vatios.

3. Vuelva a colocar la cubierta de la lente de la luz.

Aviso

Al reemplazar la bombilla, asegúrese de que la bombilla del abre-puert se haya enfriado para evitar lesiones.

ADVERTENCIA

Para evitar LESIONES GRAVES o la MUERTE por caída de la puerta del garaje:

- En caso de falla de energía u obstrucción de la puerta, HALE DE LA MANIJA DE EMERGENCIA para liberar a la puerta de la unidad.

- Cuando la manija de emergencia está en la posición de desenganche, se puede hacer funcionar la puerta manualmente.

- Para volver a conectar, hale el nivelador en el carro hacia la unidad, de vuelta a la posición de conectado, se volverá a conectar automáticamente al presionar el botón de oprimir o control remoto.

- NO utilice la manija de emergencia para halar la puerta abierta o cerrada.

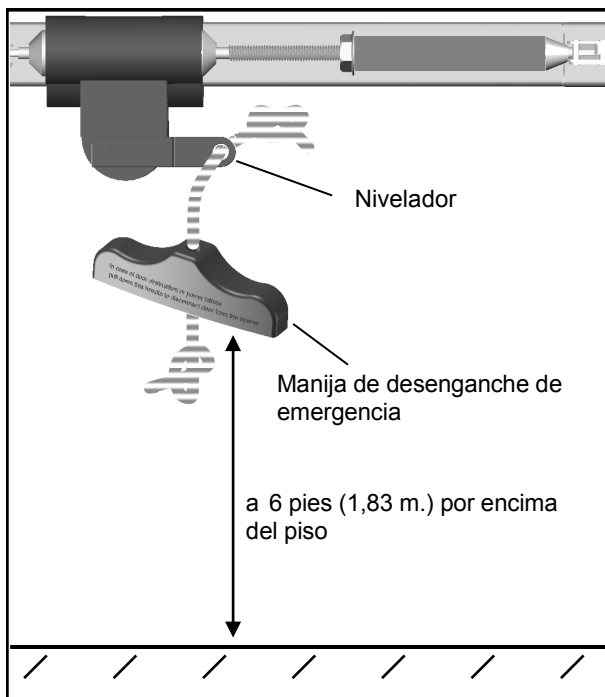


Fig. 2

Aviso de Seguridad

Coloque la desconexión de emergencia dentro de su alcance pero al menos 6 pies por encima del suelo y evite el contacto con los vehículos para evitar la desconexión accidental

Para colocar la Manija de Desconexión de Emergencia:

1. Enrosque uno de los extremos de la cuerda a través del orificio de la Manija de Desconexión de Emergencia y asegure con un nudo simple.

2. Enrosque el otro extremo de la cuerda a través del orificio de la palanca del Carro.

3. Mida la longitud de la cuerda para que la Manija quede a 6 pies (183cm) por encima del piso y esté libre de la parte superior de su vehículo. Asegúrelo con un nudo simple.

* MUY IMPORTANTE! *

La Manija de Desconexión de Emergencia debe borrar todos los vehículos. Una perilla de liberación de emergencia demasiado bajo puede quedar atrapado por el daño al vehículo y causa al abre-puerta . Mida desde el suelo hasta la parte superior de su vehículo y poner el botón de desbloqueo de emergencia por encima de esta medida.

Instrucciones de Cableado

⚠️ ADVERTENCIA

Para prevenir LESIONES GRAVES o MUERTE por electrocución:

- La energía NO DEBE conectarse hasta que se le indique.
- Ninguna parte expuesta del cable debe ser visible fuera del terminal para la conexión correcta.



* MUY IMPORTANTE! *

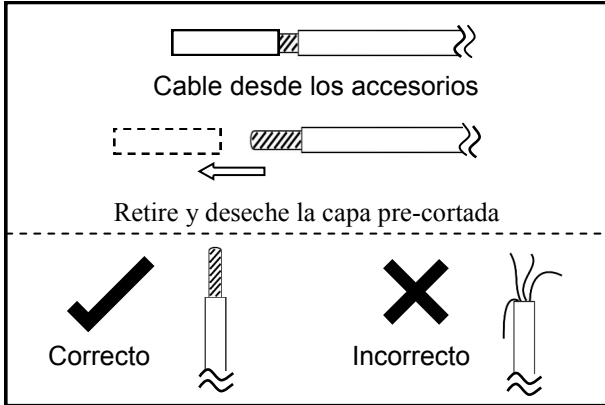


Fig. 1

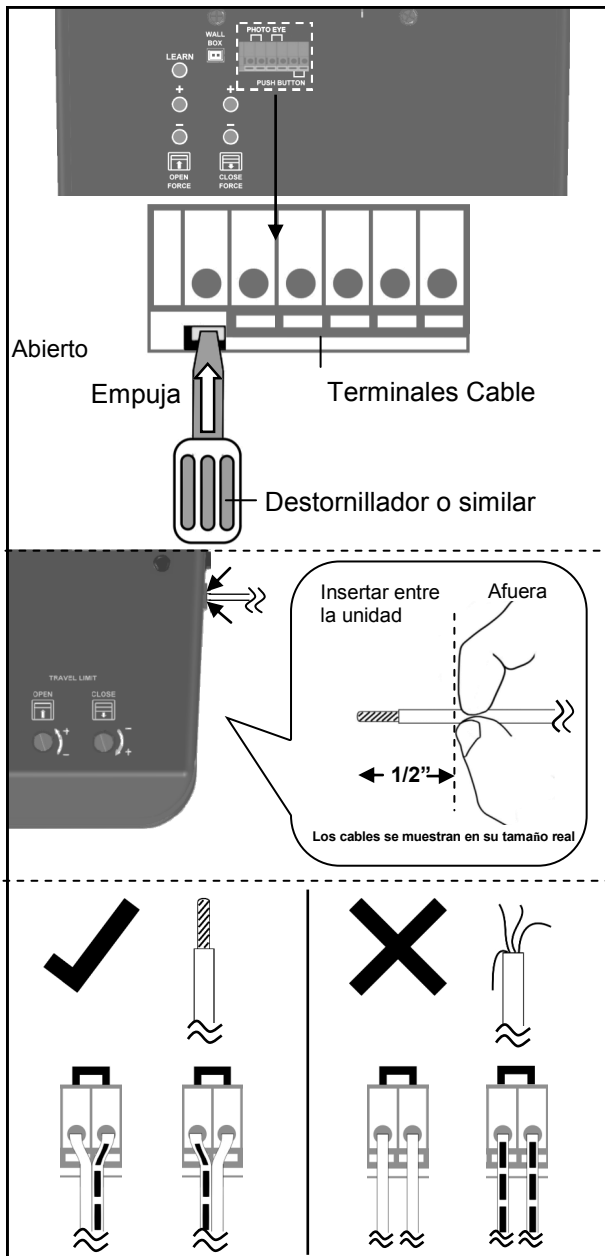
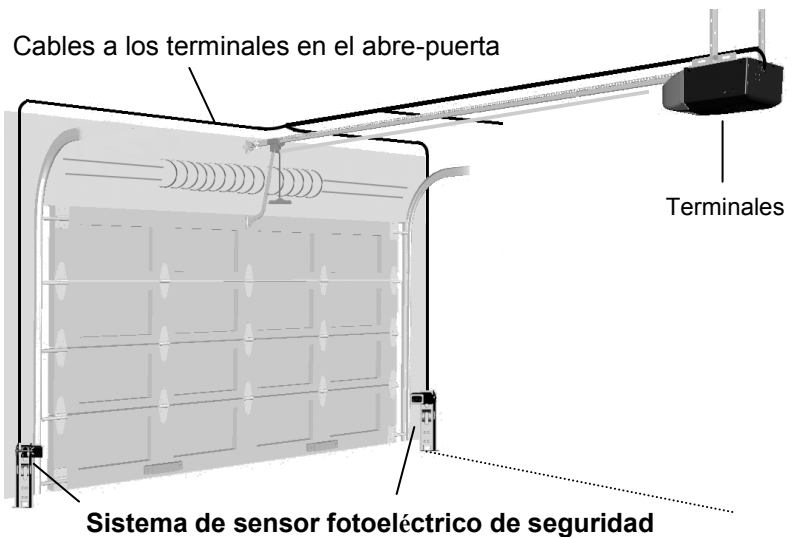


Fig. 2

En la siguiente sección, el Sistema de Seguridad de Sensor Óptico y el Botón Pulsador serán conectados al Abre-puerta. Por favor lea y entienda las intrucciones de cableado antes de conectar los cables.

1. Las terminales de conexión en el panel trasero del Abre-puerta se utilizan para conectar cables de accesorios.
2. Para conectar un cable a una terminal asignada, utilice el destornillador plano pequeño para empujar la pestaña naranja en la Terminal de Cables como se muestra en la Figura 1.
3. Inserte aproximadamente 1/2" (13mm) del cable en la terminal mientras empuja en la pestaña como se muestra en la Figura 2.
4. Los cables NO DEBEN estar desgastados y deben ser conectados de manera adecuada como se muestra en la Figura 3. Cada accesorio requiere un par de terminales. Cada par de terminales DEBE ser conectada con un cable blanco y un cable rayado (no polarizado) del MISMO accesorio.
5. Verifique que la conexión sea adecuada al tirar gentilmente del cable. El cable no debe salirse de la terminal. NO debe haber ninguna parte del cable visible fuera de la terminal.
6. Utilice los ganchos provistos que son termicamente aislados para asegurar los cables al muro y/o techo. Sea cuidadoso de no dañar los cables mientras asegura los grapas.



● Colocación sugerida de grapas aisladas



Conexión del Sistema de Seguridad de Sensor Óptico

ADVERTENCIA

Para evitar LESIONES GRAVES o la MUERTE por electrocución:

- NO SE DEBE conectar la electricidad ANTES de que esté conectado y alineado el sistema de sensor fotoeléctrico de seguridad.
- La unidad no funcionará sino hasta que el sistema de sensor fotoeléctrico de seguridad esté instalado y alineado de manera apropiada.
- Instale el sensor fotoeléctrico NO más alto de 6" (15 cm.) por encima del piso.



Ninguna parte de la puerta del garaje u otros objetos deben obstruir el sistema de sensor fotoeléctrico de seguridad durante el cierre de la puerta.

AVISO: La abre-puerta no se cerrará hasta que se instalen el sistema de seguridad de sensor óptico. El sistema de seguridad de sensor óptico es requerido por la ley federal para ser instalado en todos los abre-puertas. La abre

Sobre el Sistema de Seguridad de Sensor Óptico

El Sistema de Seguridad de Sensor Óptico provee protección contra atrapamiento mientras la puerta se está cerrando. Cuando está correctamente conectado y alineado, el emisor del Sensor Óptico emite un haz de luz infraroja invisible mientras el Sensor Óptico monitorea ese haz de luz.

Si el haz de luz es obstruido durante el cierre de la puerta, se disparará la protección de atrapamiento y la puerta parará y volverá a la posición abierta. La luz interior destellará 30 segundos indicando que hay una obstrucción.

Instalación del Sistema de Seguridad de Sensor

Montaje en Pared

1. Coloque los Sensores Ópticos enfrentados en cada lado de la puerta del garaje. Posicione los sensores de manera que no estén más altos que 6" (15cm) por arriba del suelo, como se muestra en la Figura 1.
2. Realice orificios de 3/16" utilizando los orificios de montaje en el Soporte como plantilla. Asegúrelos con tornillos de compresión de 1/4" x 1" (incluidos).
3. Asegúrese de que los soportes, cuando estén montados, NO estén en contacto con la guía de la puerta.
4. Si es necesario utilice la Posición Opcional de montaje en Pared (Fig.1) para ajustar de mejor manera la guía de la puerta y mejorar la elusión de obstáculos. Para ajustar la posición, afloje la tuerca mariposa, desmonte el Soporte y mueva el Sensor Óptico a la posición más baja de la base.
5. Si es necesario, alinee los Sensores Ópticos al aflojar la tuerca mariposa. (Este paso puede ser requerido luego en Alineación del Sistema de Seguridad de Sensor Óptico en página 43.)

Montaje Alternativo en Piso

1. Coloque los Sensores Ópticos enfrentados en cada lado de la puerta del garaje, como se muestra en la Figura 2.
2. Si se se fija en concreto, asegure los sensores ópticos utilizando tacos y pernos para concreto (no están incluidos).
3. Asegúrese de que los soportes, cuando estén montados, NO estén en contacto con la guía de la puerta.
4. Si es necesario, alinee los Sensores Ópticos al aflojar la tuerca mariposa. (Este paso puede ser requerido luego en Alineación del Sistema de Seguridad de Sensor Óptico en página 43.)

Para Conectar el Sistema de Seguridad de Sensor Óptico

1. Conecte un par de cables de cualquiera de los Sensores Ópticos con un par de terminales de "SENSOR ÓPTICO" en la parte de atrás del Abre-puerta como se muestra en la Figura 3. Consulte las Instrucciones de Cableado en página 40 para realizar las conexiones adecuadas.
2. Repita los pasos mencionados anteriormente para conectar el Sensor Óptico.
3. Consulte las Instrucciones de Cableado en página 40 para asegurar que los cables están conectados adecuadamente.

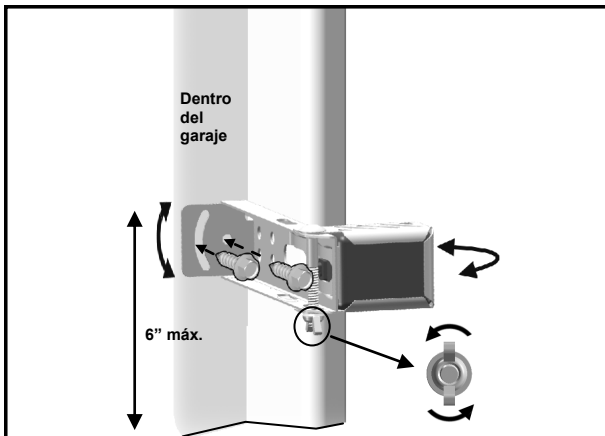


Fig. 1 (Montaje en la pared)

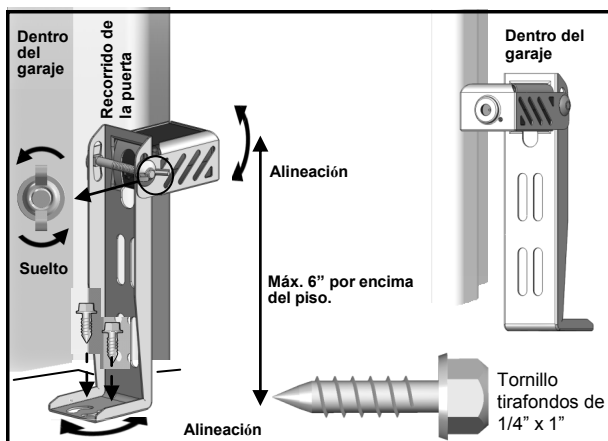


Fig. 2 (Montaje en el piso)

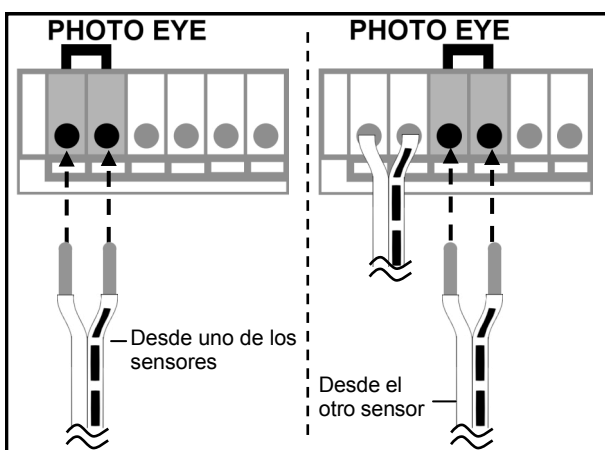


Fig. 3

Conexión del Botón de Control

ADVERTENCIA

Para evitar LESIONES GRAVES o la MUERTE por electrocución:

- NO SE DEBE conectar la electricidad sino hasta que se le indique.

Para evitar LESIONES GRAVES o la MUERTE por utilizar el botón de oprimir cuando la puerta se está cerrando:

- Instale el botón de oprimir a la vista de la puerta a una altura mínima de 5 pies (1,5 m) por encima del piso.

Asegúrese de que esté fuera del alcance de los niños y lejos de las partes móviles de las puertas y el equipo.

- NUNCA permita que los niños accedan al botón de oprimir o a los controles remotos.

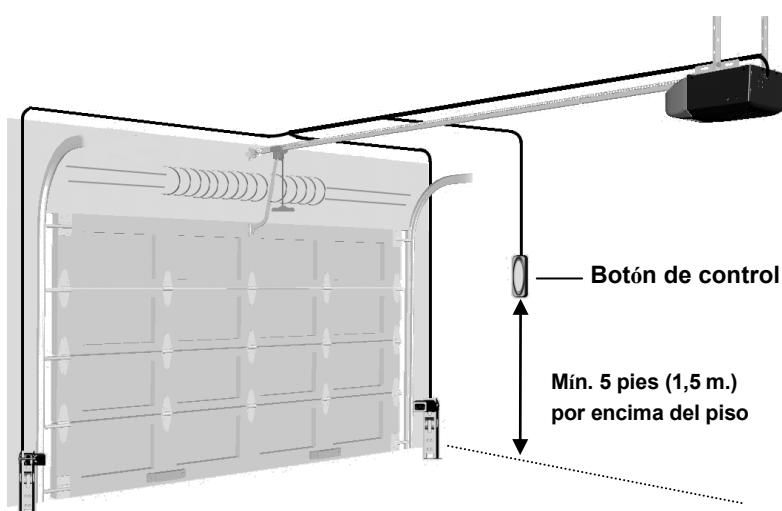
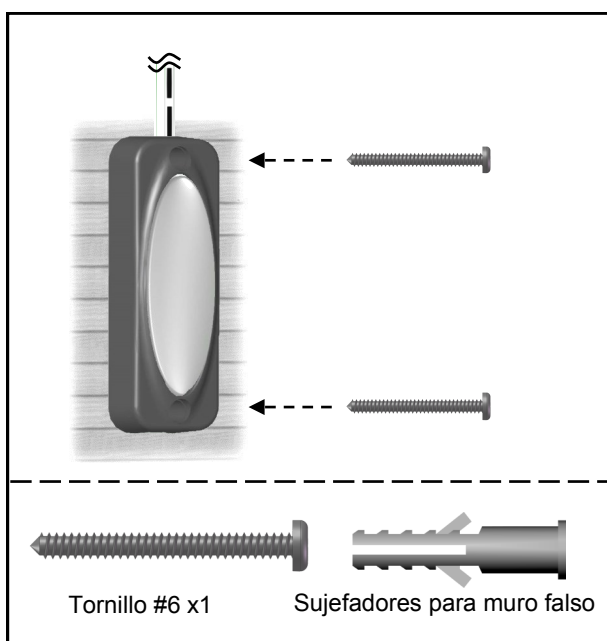
- Haga funcionar la puerta SÓLO cuando esté ajustada de manera apropiada, no hay obstrucciones presentes y esté a la vista.

- SIEMPRE mantenga a la vista la puerta en movimiento, hasta que esté completamente cerrada.

- NUNCA cruce el paso de una puerta en movimiento.



AVISO: Utilice únicamente el Pulsador incluido con este modelo GDO o pieza de repuesto idéntica. Vea la sección Accesorios en las piezas de repuesto de este manual.



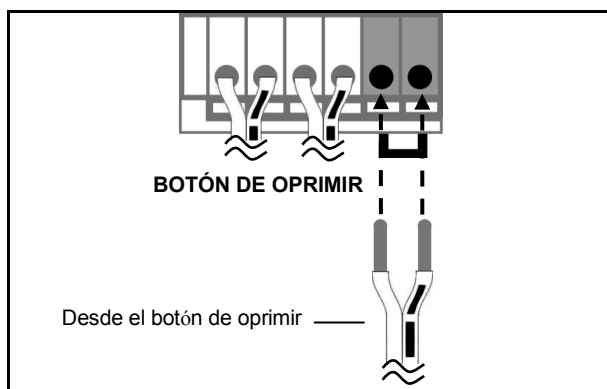
El Botón Pulsador es un control de cables iluminado de la puerta que se encuentra dentro de su garaje.

Para instalar el Botón Pulsador:

1. Dentro de su garaje, instale el Botón Pulsador dentro de la vista de la puerta a una altura mínima de 5 pies (1.5m) por encima del suelo. Asegúrese que esté instalado fuera del alcance de los niños y libre de partes móviles de la puerta o equipos.
2. Ajústelo de manera segura a una superficie sólida con los tornillos de # 6x1 provistos. Si lo fija a una mampostería o a una superficie hueca, realice orificios de 3/16" (5mm) y utilice los tacos provistos para mampostería.

Para Conectar el Botón Pulsador al Abre-puerta

Conecte el par de cables del Botón de control al par de terminales del "BOTÓN de Control" en la parte de atrás del Abre-puerta. Consulte las **Instrucciones de Cableado** en página 40 para asegurar que los cables están conectados adecuadamente.



Conexión de la Fuente de Alimentación

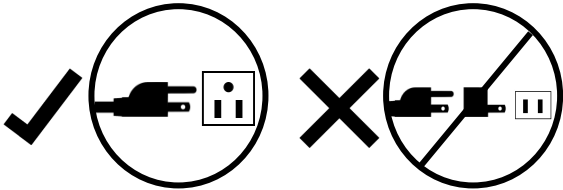
⚠ ADVERTENCIA

Para evitar LESIONES GRAVES o la MUERTE por electrocución o fuego:

- La electricidad SE DEBE DESCONECTAR ANTES de proceder con los procedimientos de cableado permanente.
- La instalación de la unidad abre-puertas de la puerta de garaje y el cableado DEBEN cumplir con todos los códigos eléctricos y de construcción locales. Asegúrese de que la unidad abre-puertas esté SIEMPRE conectada a tierra.
- NUNCA utilice un cable de extensión adaptador de 2 cables, o modifique el enchufe de ninguna manera para que se ajuste a la toma de corriente.



Conexión de electricidad común



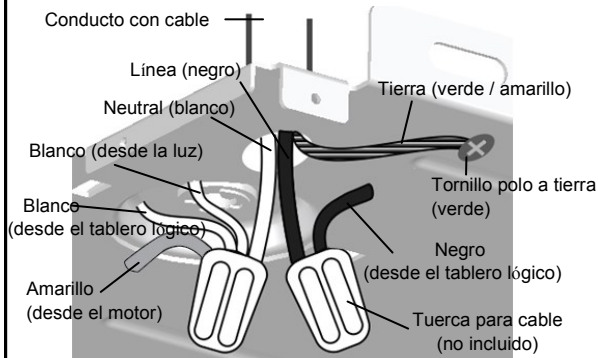
NO OPERE EL ABREPUERTA EN ESTE MOMENTO. Para Conectar la Fuente de Alimentación

Enchufe el Abre-puerta SÓLO en una toma de alimentación con conexión a tierra. Si no hay ninguna toma de alimentación con conexión a tierra presente, llame a un técnico calificado para reemplazar la toma de alimentación. Se recomienda el uso de un protector de sobretensión.

Cableado Permanente (Si es Requerido por el Código Local)

1. Quite la envoltura al quitar los 6 tornillos ubicados en los lados y en la parte de atrás del Abre-puerta.
2. Corte los dos cables conectores de presión que conectan los cables de línea (negro) y neutrales (blanco) de la fuente de alimentación.
3. Quite el tornillo de base que conecta el cable verde.
4. Quite la fuente de alimentación.
5. Agrupe los cables neutrales (blanco) de la fuente de alimentación con 2 cables blancos del cable de la luz, y el tablero lógico y el cable amarillo del motor, dentro del Abre-puerta. Conéctelos con una tuerca.
6. Agrupe los cables de línea (negro) de la fuente de alimentación con otros cables negros del tablero lógico dentro del Abre-puerta. Conéctelos con una tuerca.
7. Asegure el cable a tierra (verde o liso) de la fuente de alimentación con un tornillo de base.
8. Reinstale la envoltura.
9. Encienda el suministro de alimentación. Si el cable está conectado adecuadamente, se oirá un "clic" y la luz se iluminará (si hay una bombilla instalada). Si no hay ninguna respuesta del Abre-puerta, verifique la fuente de alimentación y el cableado.

SÓLO para cableado permanente



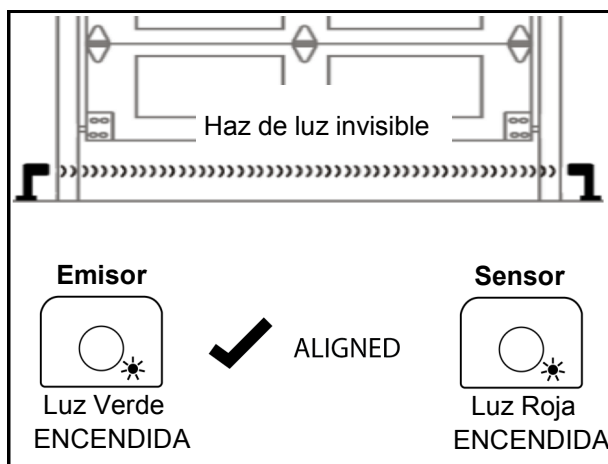
Alineación del Sistema de sensor fotoeléctrico de seguridad

⚠ ADVERTENCIA

- Para evitar LESIONES GRAVES o la MUERTE por una puerta de garaje que se esté cerrando:
- El sistema de sensor fotoeléctrico de seguridad se DEBE instalar ANTES de conectar la energía.
 - El sistema de sensor fotoeléctrico de seguridad se DEBE conectar y alinear de manera apropiada ANTES de hacer funcionar la unidad abre-puertas.



AVISO : El abridor no se cerrará hasta que se instalen los ojos de fotos. sensores ópticos son requeridos por la ley federal para ser instalado en todos los abridores .



Para Alinear el Sistema de Seguridad de Sensor Óptico:

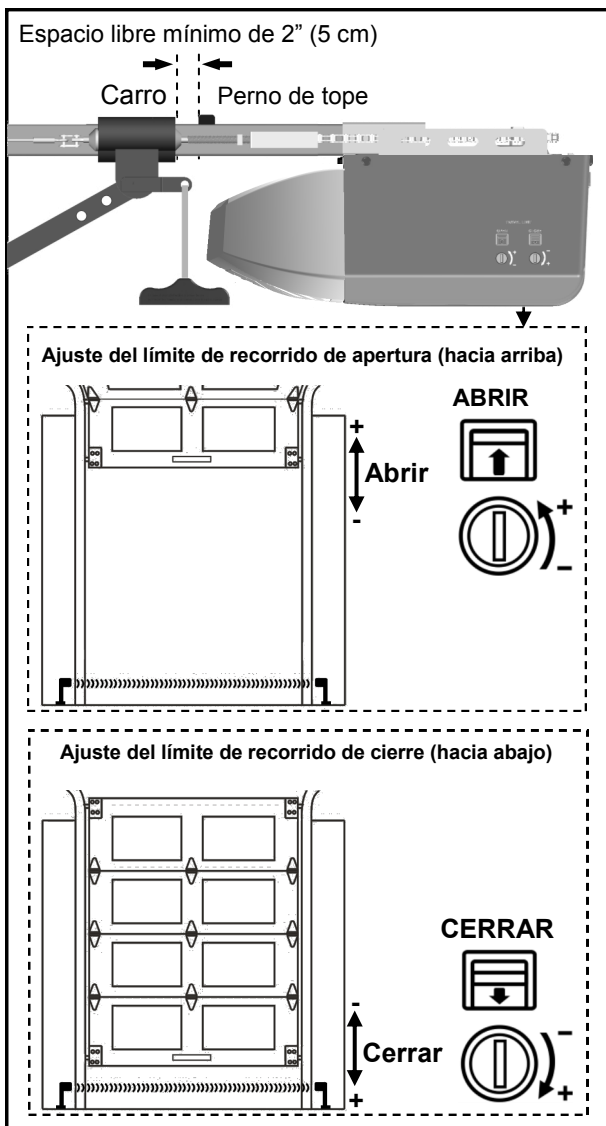
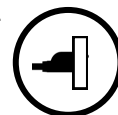
1. Cuando el Sistema de Sensor Óptico está conectado adecuadamente, el botón del sensor óptico está en modo "activado" y la fuente de alimentación está conectada, uno de los Sensores Ópticos emitirá una luz verde estable. Este Sensor Óptico es el Emisor que genera el Haz de Luz Invisible.
2. Cuando está alineado de manera adecuada, el Sensor debe emitir una luz roja estable cuando detecta el haz de luz invisible del Emisor.
3. Si la indicación no es estable, destalla o es tenue, verifique cualquier obstrucción y ajuste la posición hasta que el Sensor proporcione una LUZ ROJA ESTABLE.

Nota: El trayecto del haz de luz invisible NO DEBE ser obstruído. Ninguna parte de la puerta del garaje o del equipo debe interferir con el haz de luz o el Abre-puerta no cerrará la puerta.

Ajuste del Límite de Recorrido

ADVERTENCIA

- Para prevenir **LESIONES GRAVES** o **MUERTE** debido a un ajuste de fuerza inadecuado:
 - Un ajuste incorrecto de los límites de recorrido causará el funcionamiento del mecanismo de inversión de seguridad.
 - Si se realiza el ajuste del límite de recorrido, también puede ser necesario ajustar la fuerza.
- Después de **CUALQUIER** ajuste, la prueba de reversa de seguridad **DEBE** ser realizada para asegurar que la puerta se invierte al entrar en contacto con un objeto de 1-1/2" de espesor (2x4 colocado plano)



Si la puerta da marcha atrás de manera inintencionada durante el cierre, verifique los síntomas debajo:

1. El Sistema de Sensor Óptico puede no estar conectado de manera adecuada, mal alineado u obstruido. La luz de interna destellará continuamente por 30 segundos. Consulte la **Solución de Problemas** en Página 52.
2. Puerta Trabada — Desconecte la puerta del Abre-puerta utilizando la Manija de Desconexión de Emergencia. Abra y Cierre la puerta manualmente y verifique los siguientes pasos.
 - 2.1 Si la puerta está balanceada, consulte "Ajuste de Fuerza" para ajustar la fuerza de Cierre.
 - 2.2 Si la puerta no está balanceada, se traba o está atascada, llame a una persona entrenada para ajustar la puerta.

Sobre los Límites de Desplazamiento

Los Ajustes de los Límites regulan la posición en que la puerta se detendrá al abrirse y cerrarse.

ANTES de realizar cualquier ajuste, opere la puerta utilizando el Botón Pulsador o el Control Remoto. Ejecute el Abre-puerta por un ciclo completo.

Si la puerta abre y cierra completamente sin dar marcha atrás en el momento de cierre — NO se requiere ningún ajuste.

Si la puerta no abre o cierra en la posición deseada, proceda con las instrucciones debajo para ajustar los límites de desplazamiento.

Ajuste de los Límites de Desplazamiento

Los Límites de Apertura y Cierre pueden ser aumentados (+) o disminuídos (-) al girar los tornillos correspondientes en el Abre-puerta. Utilice un destornillador de "cabeza plana" para realizar los ajustes. Una vuelta entera del tornillo es alrededor de 2" (5cm) de desplazamiento.

NOTA: El motor del Abre-puerta incluye un sistema de protección térmica automático que apagará el motor en una situación de recalentamiento. El protector térmico se reestablecerá una vez que el motor se enfríe. El abrir y cerrar del Abre-puertas varias veces (en un período corto de tiempo) puede causar que el motor se recaliente y se apague. Si esto sucede, espere alrededor de 15 minutos para que el motor se enfríe y vuelva a intentar la operación.

Establecer el Límite de Desplazamiento de APERTURA

1. CIERRE la puerta del garaje utilizando el Control Remoto o el Botón Pulsador.
2. Ajustel el tornillo de límite de APERTURA.
3. ABRA la puerta del garaje y verifique el ajuste adecuado.
4. Repita los pasos 1-3 hasta que la puerta se abra a la posición deseada. Cuando la puerta está en la posición abierta, asegúrese de que hay suficiente espacio para su vehículo y que hay un espacio mínimo de 2" (5cm) entre el Carro y el perno limitador.
5. Realice la Prueba de Seguridad Inversa en la página 46.

Si la puerta no se abre luego de los 5 pies (1.5m), siga el **Ajuste de Fuerza** en página 45 para ajustar la Fuerza de Apertura.

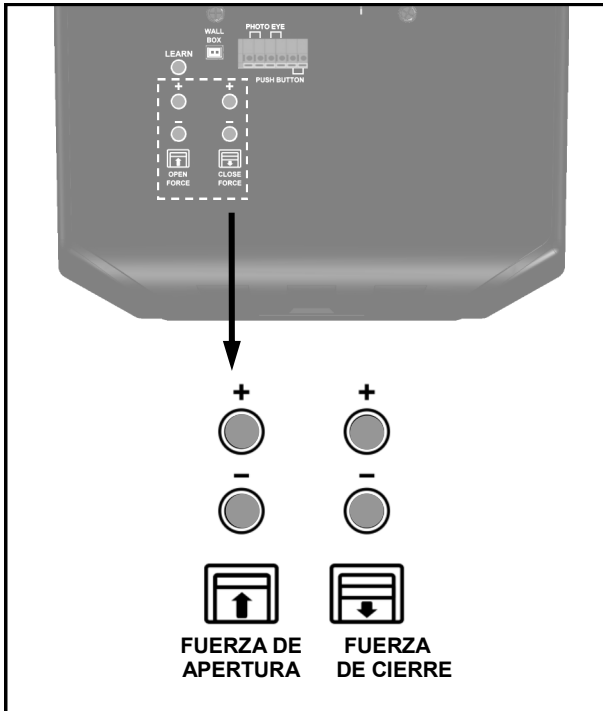
Establecer el Límite de Desplazamiento de CIERRE

1. CIERRE la puerta del garaje utilizando el Control Remoto o el Botón Pulsador.
2. Ajustel el tornillo de límite de CIERRE.
3. CIERRE la puerta del garaje y verifique el ajuste adecuado.
4. Repita los pasos 1-3 hasta que la puerta se cierre a la posición deseada.
5. Realice la **Prueba de Seguridad Inversa** en la página 46.

ADVERTENCIA

Para evitar LESIONES GRAVES o la MUERTE por el ajuste inapropiado de la fuerza:

- NO ajuste la fuerza para compensar el que la puerta del garaje se atora o pega. Llame a un técnico de servicio calificado para puertas de garaje para realizar los ajustes necesarios en caso de atoramiento.
- No aumente la fuerza más allá de la fuerza mínima requerida para el cierre de la puerta. Demasiada fuerza causará un inapropiado funcionamiento del mecanismo de seguridad de reversa.
- Si se hace el ajuste de la fuerza o el del límite del recorrido, es posible que también se necesite el otro ajuste.
- Después de CUALQUIER ajuste, se DEBE llevar a cabo la prueba de seguridad de reversa para asegurarse que la puerta retrocede al hacer contacto con un objeto de ancho (tabla en posición horizontal de 2 x 4).



Para una operación segura, la configuración de la fuerza siempre debe ser establecida en la FUERZA MÍNIMA requerida para operar la puerta.

Ajuste de Fuerza

1. Los controles del Ajuste de Fuerza están ubicados en el panel trasero del Abre-puerta. Los ajustes de fuerza regulan la cantidad de fuerza requerida para abrir o cerrar la puerta.
 2. Se aplica el Ajuste de fuerza sólo para compensar la resistencia mínima causada por el clima y otros medios.
- Para una operación segura, la configuración de la fuerza siempre debe ser establecida en la FUERZA MÍNIMA requerida para operar la puerta.
 - Nota: Si la fuerza de cierre está establecida muy alta, el Abre-puerta dará marcha atrás a la puerta durante el cierre. Si la fuerza de apertura está establecida muy liviana, el Abre-puerta detendrá la puerta durante la apertura.
 - Nota: Hay 12 niveles de fuerza para apertura y cierre. Cuando se alcance el nivel máximo o mínimo, la luz destellará 6 veces.
 - Nunca ajuste el nivel de fuerza más de 1 nivel (1 pulsado) a la vez.

Configuración de la Fuerza

Configuración de la Fuerza de Cierre

1. Si la puerta completa un ciclo entero sin dar marcha atrás, disminuya (-) la Fuerza de Cierre a 1 nivel a la vez hasta que la puerta de marcha atrás. Si la puerta da marcha atrás durante el cierre, incremente (+) la Fuerza de Cierre por 1 nivel. La Fuerza de Cierre ahora está ajustada de manera correcta.
2. Durante el ciclo del "cierre de la puerta", el Abre-puerta hará marcha atrás si se excede la fuerza requerida para cerrar la puerta.

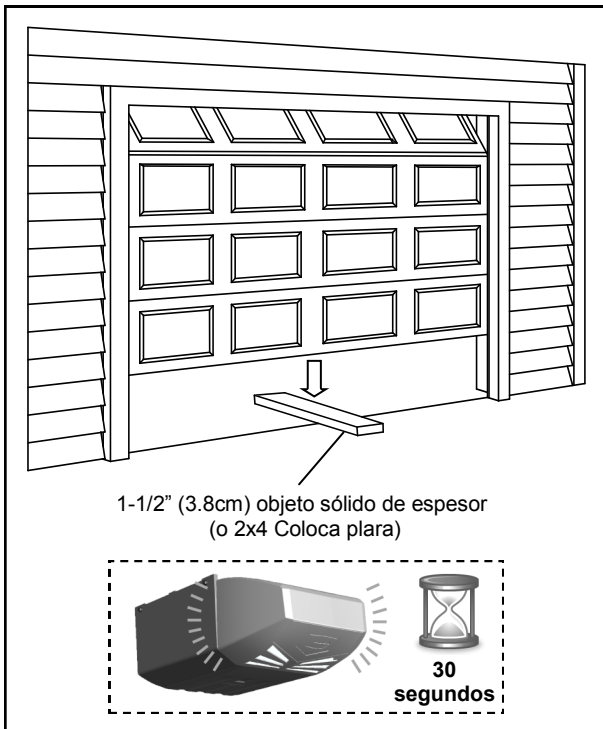
Configuración de la Fuerza de Apertura

1. Si la puerta completa un ciclo entero de apertura sin detenerse, disminuya (-) la cantidad de fuerza por 1 nivel hasta que la puerta se detenga durante la apertura. Una vez que la puerta se detenga durante la apertura, incremente (+) la Fuerza de Apertura por 1 nivel. La Fuerza de Cierre ahora está ajustada de manera correcta.
2. Durante el ciclo de la "apertura de la puerta", el Abre-puerta se detendrá si se excede la fuerza requerida para abrir la puerta.

ADVERTENCIA

Para evitar LESIONES GRAVES o la MUERTE por una puerta de garaje que se esté cerrando:

- La prueba de seguridad de reversa DEBE realizarse UNA VEZ AL MES.
- NADIE debe cruzar el paso de la puerta en movimiento durante su funcionamiento o puesta a prueba.
- Si se hace el ajuste de la fuerza o el del límite del recorrido, es posible que también se necesite el otro ajuste.
- Después de CUALQUIER ajuste, se DEBE llevar a cabo la prueba de seguridad de reversa para asegurarse que la puerta retrocede al hacer contacto con un objeto de ancho (tabla de 2 x 4 en posición horizontal).
- El sistema de sensor fotoeléctrico de seguridad se DEBE alinear de manera apropiada y poner a prueba con regularidad.



Prueba del Sistema de Seguridad de Marcha Atrás

El sistema de Seguridad de Marcha Atrás previene que la puerta se cierre cuando hay una obstrucción.

1. Abra la puerta utilizando el Botón Pulsador o el Control Remoto.
2. Coloque un objeto sólido y grueso de 1-1/2" (3.8cm) (o 2x4 de superficie plana) en el suelo bajo el centro de la puerta del garaje.
3. Manteniendo la puerta a la vista, utilice el Botón Pulsador o Control Remoto para cerrar la puerta.
4. La puerta DEBE DAR MARCHA ATRÁS al golpear con el objeto en 1,5 segundos y detenerse en la posición de apertura por completo.
5. La luz interna comenzará a destellar por 30 segundos al disparar el sistema de Seguridad de Marcha Atrás.

Si la puerta sólo se detiene en el objeto, ajuste el Abre-puerta de la siguiente manera:

El desplazamiento de cierre puede ser inadecuado. Incremente el límite de desplazamiento de cierre por 1/4 de vuelta (ver **Ajuste de Límite** en página 44)

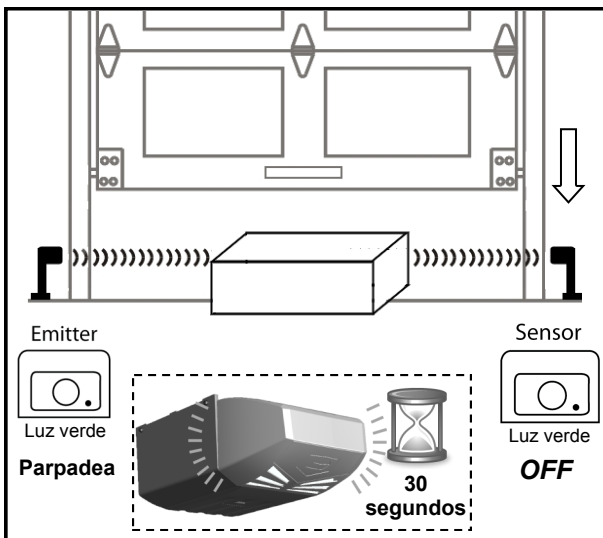
Realice la prueba nuevamente. Si la puerta da marcha atrás al contacto, quite el objeto y ejecute al menos 3 ciclos COMPLETOS de desplazamiento para asegurar el ajuste correcto.

Si la puerta todavía no da marcha atrás en el objeto, disminuya la Fuerza de Cierre (ver **Ajuste de Fuerza** en página 45) y repita la prueba.

Si el Abre-puerta todavía falla la Prueba de Seguridad de Marcha atrás, llame a un técnico calificado para ajustar la puerta.

Prueba del Sistema de Seguridad de Sensor Óptico

1. Abra la puerta utilizando el Botón Pulsador o el Control Remoto.
2. Asegúrese que los dos Sensores Ópticos emitan las luces estables indicadores de color verde y rojo. (Si no, verifique la alineación)
3. Coloque un objeto bajo la puerta alrededor de 8" (20cm) de alto y 12" (30cm) de ancho (Se puede utilizar la caja del Abre-puerta).
4. El indicador verde en el sensor emisor destellará y el indicador de luz roja en el sensor óptico debe estar atenuada.
5. Mantenga la puerta en vista y utilice el Botón Pulsador o el Control Remoto para tratar de cerrar la puerta.
6. La puerta NO debería moverse más de 1" (2.5cm) y la luz interna debería destellar por 30 segundos.



Programación del Control Remoto

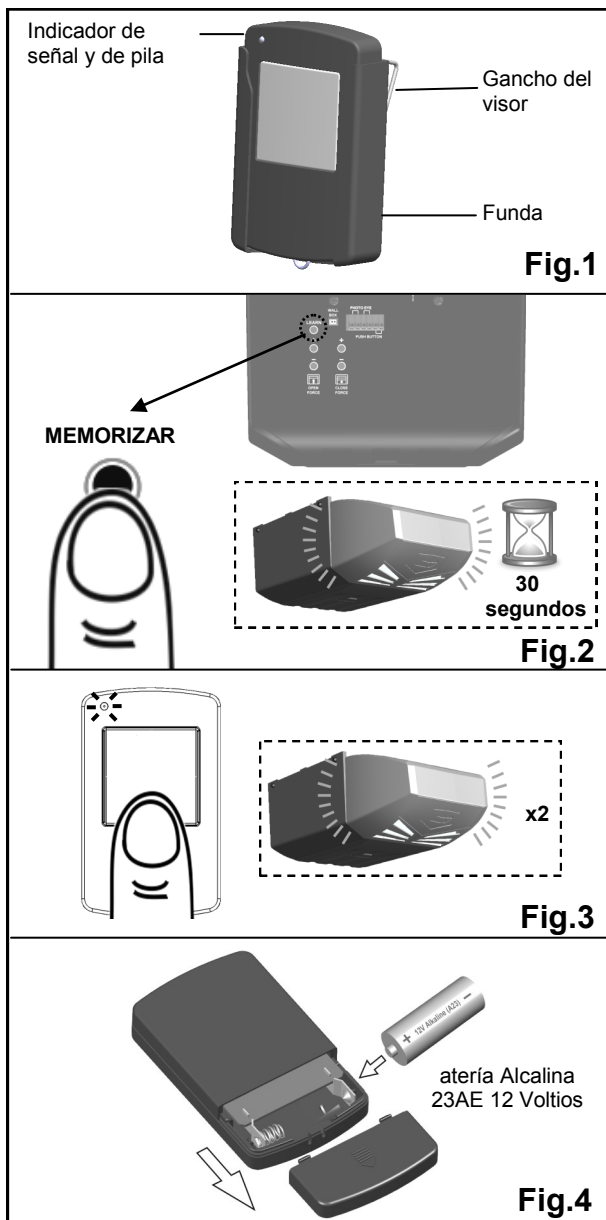
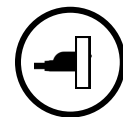
ADVERTENCIA

Para evitar LESIONES GRAVES o la MUERTE:

- Mantenga el control remoto y la pila fuera del alcance de los niños.
- NUNCA permita que los niños accedan al botón de oprimir o a los controles remotos.
- Haga funcionar la puerta SÓLO cuando esté ajustada de manera apropiada, y no hay obstrucciones presentes.
- SIEMPRE mantenga vigilada una puerta en movimiento hasta que cierre por completo. NUNCA cruce el espacio de una puerta en movimiento.

Para reducir el riesgo de fuego, explosión o choque eléctrico:

- NO haga cortocircuito, recargue, desmonte ni caliente la pila.
- SÓLO reemplace con pilas 23 AE 12 Volt. Deseche las pilas de manera apropiada.



Para Programar Controles Remotos:

1. Ver la Figura 2 para agregar un Control Remoto. Presione el botón "APRENDER" en la parte de atrás del panel de control del Abre-puerta. La luz interna se iluminará con un clic audible*. La unidad ahora está lista para aprender un Control Remoto.
2. Dentro de los 30 segundos, presione el botón en el Control Remoto.
3. La luz interna destellará dos veces indicando que el Control Remoto se ha almacenado con éxito**.

Se pueden agregar a la unidad hasta 20 Controles Remotos (incluidos códigos de teclados inalámbricos) al repetir los procedimientos mencionados anteriormente.

Si se almacenan más de 20 Controles Remotos, se reemplazará el primer Control Remoto almacenado. (Ej. El Control Remoto número 21 reemplaza al primer Control Remoto almacenado.)

* Si la luz de cortesía ya está encendida, parpadeará una vez y permanecerá iluminada durante 30 segundos.

** Si no se acepta un control remoto, la luz de cortesía permanecerá encendida durante 30 segundos, parpadeará 4 veces y permanecerá encendida durante 2-1/2 minutos. Vuelva a intentar programar el control remoto repitiendo los pasos anteriores.

Eliminación de TODOS los Controles Remotos:

Para eliminar TODOS los Controles Remotos de la memoria, mantenga presionado el botón "APRENDER" por 5 segundos. La luz intrna destellará 7 veces indicando que TODOS los Controles Remotos han sido eliminados de la memoria.

Reemplazo de la Batería del Control Remoto:

Cuando la batería del Control Remoto portátil está baja, el indicador de luz se volverá tenue y/o el alcance del Control Remoto disminuirá. Para reemplazar la batería, quite la cubierta de la batería del Control Remoto como se muestra en la Figura 3. Reemplácela con una batería alcalina 23AE de 12 voltios con la polaridad como se muestra en la Figura 3.

ADVERTENCIA: Cambios o modificaciones a esta unidad que no hayan sido expresamente aprobados por el responsable de complacencia podrían anular la autoridad de los usuarios para operar el equipo.

NOTA: Este equipo ha sido probado y se ha determinado que cumple con los límites de Clase B dispositivo digital, conforme a la Parte 15 de las reglas de la FCC. Estos límites están diseñados para proveer protección razonable y evitar interferencia perjudicial en una instalación residencial. Este equipo genera, usa y puede irradiar energía de radio frecuencia y, si no está instalado y se utiliza de acuerdo con las instrucciones, puede causar interferencia perjudicial a las comunicaciones de radio.

Sin embargo, no es garantía que no habrá interferencia en un instalación en particular. Si este equipo causa interferencia perjudicial a la recepción de radio o televisión, puede ser determinada apagando y prentiendo el equipo, el usuario puede tratar de corregir la interferencia utilizando las siguientes medidas:

- Reorientar o reubicar la antena receptora
 - Incrementar la separación entre el equipo y el receptor
 - Conectar el equipo en un tomacorriente que pertenezca a un circuito distinto al que está conectado el receptor
- Para ayuda, consulte el distribuidor o a un técnico experto en Radio/TV

Programación del Teclado de Acceso sin Llave *

Para comprar un teclado sin llave, visite una tienda de Craftsman, llame al 1-888-331-4569, o visite www.sears.com

ADVERTENCIA

Para prevenir LESIONES GRAVES o MUERTE:

- Mantenga el transmisor y la batería fuera del alcance de los niños.
 - NUNCA permita que los niños accedan al panel de pared, el pulsador ni a los transmisores remotos.
 - Opere la puerta SOLO cuando esté ajustada adecuadamente, sin obstrucciones en el recorrido de la puerta y despejada.
 - Vigile SIEMPRE la puerta en movimiento hasta que esté completamente cerrada. NINGUNA persona debe interponerse en el recorrido de una puerta en movimiento.
- Para reducir el riesgo de incendio, explosión o descarga eléctrica:
- NO caliente, desarme, recargue ni produzca cortocircuitos en la batería.
 - Reemplace únicamente con baterías de AAA de 1.5V. Deseche las baterías adecuadamente.

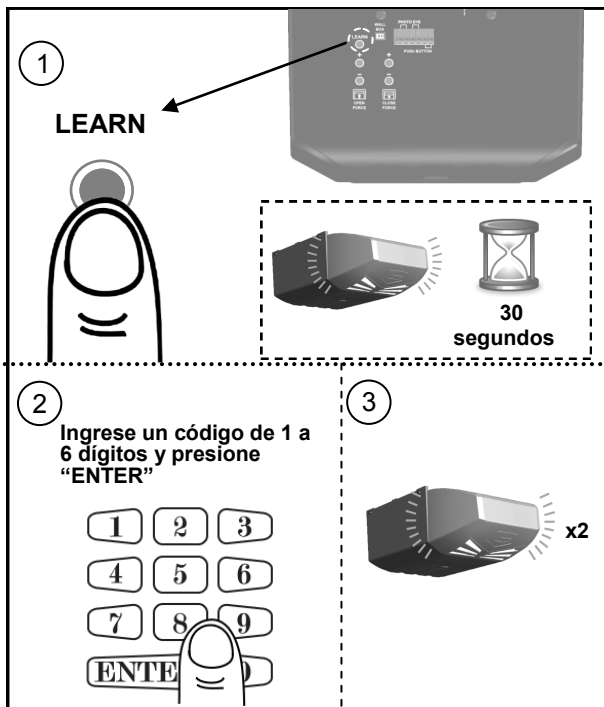
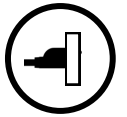


Fig.1

30 segundos Para agregar códigos personales:

1. Presione/suelte el botón "LEARN" sobre el panel de control posterior y el LED "OK" se iluminará y emitirá un sonido. La unidad se encuentra lista para aceptar un transmisor en los próximos 30 segundos, como se muestra en la Fig. 1.
2. Ingrese un código personal de 1 a 6 dígitos sobre el panel de entrada sin llave en un plazo de 30 segundos y presione/suelte el botón "ENTER". El LED "OK" titilará y sonará dos veces, lo que indicará que el código personal se almacenó exitosamente en la memoria.

Puede repetir los procedimientos anteriores para agregar hasta 20 códigos personales (incluidos los transmisores de 1 botón) en la unidad. Si se almacenan más de 20 códigos personales, los códigos anteriormente almacenados del principio se reemplazará (es decir, el transmisor núm. 21 reemplazará al primero).

Funcionamiento:

Para acceder a la puerta, ingrese un código personal almacenado anteriormente y presione "ENTER" para transmitir el código y, en un plazo de 20 segundos, podrá utilizar el botón "ENTER" para detener o retroceder la puerta.

Si el código se ingresa incorrectamente, puede corregirlo si presiona "ENTER" para restablecer y reingresar el código.

Cuando la luz esté apagada, puede presionar el botón "ENTER" para encender la luz.

Eliminar TODOS los códigos personales:

Para eliminar TODOS los códigos personales o los transmisores de la memoria, presione el botón "LEARN" durante 5 segundos. El LED "OK" titilará y emitirá un sonido, lo que indicará que TODOS los códigos/transmisores se eliminaron de la memoria.

Montaje del panel de entrada sin llave:

El panel de entrada sin llave puede colocarse en el marco de la puerta, fuera del garaje. Ubique el panel de entrada sin llave cerca de la puerta, a una altura mínima de 5 pies (1,5 m), y asegúrese de que quede fuera del alcance de los niños y de piezas móviles de la puerta y los herrajes. Pruebe la recepción del panel de entrada sin llave antes de montarlo. Si es necesario, cambie la ubicación del panel para lograr una mejor recepción.

Utilice los orificios de montaje sobre el panel de entrada sin llave como patrón para marcar la posición sobre la superficie de montaje. Para colocar sobre una superficie de madera, utilice los tornillos suministrados. En el caso de una superficie de yeso, perfore los orificios y utilice los tarugos para panel de yeso suministrados.

Reemplazar la batería del panel de entrada sin llave:

Cuando la batería del panel de entrada sin llave tenga poca carga, observará una iluminación tenue. Para reemplazar la batería, afloje los tornillos debajo de la cubierta de la batería, retírela y reemplácela con una batería de AAA 1.5V.

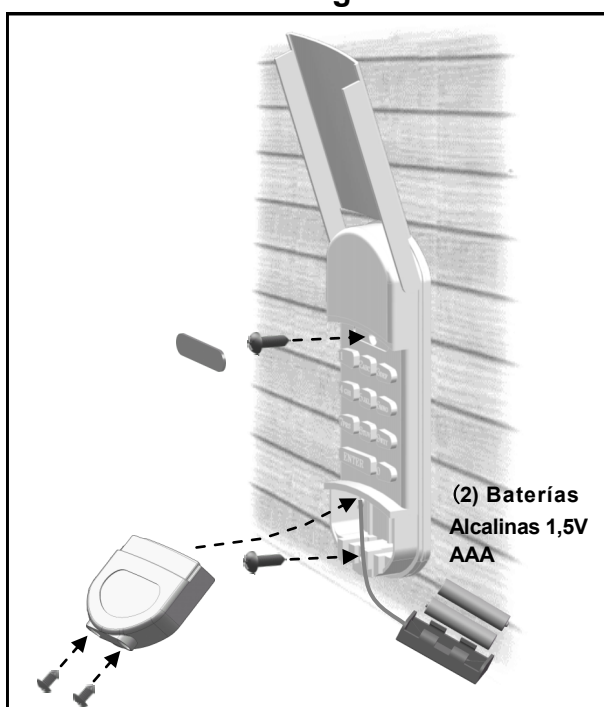


Fig.2

*Opcional

INSTRUCCIONES IMPORTANTES DE SEGURIDAD

ADVERTENCIA

Para reducir el riesgo de lesiones graves o lamuerte:

1. LEA Y RESPETE TODAS LAS ADVERTENCIAS Y LAS INSTRUCCIONES DE INSTALACIÓN.
2. Siempre guarde los controles remotos lejos del alcance de los niños. Nunca permita que los niños hagan funcionar o jueguen con el botón del control del abre-puerta de la cochera o con los controles remotos.
3. Sólo active el abre-puerta del garaje siempre y cuando lo pueda ver con claridad, esté debidamente ajustado y no haya ninguna obstrucción en su recorrido al cerrarse. **NADIE DEBE ATRAVESAR EL RECORRIDO DE LA PUERTA CUANDO ESTÁ EN MOVIMIENTO.**
4. **NADIE DEBE CRUZAR POR DEBAJO DE UNA PUERTA DETENIDA O PARCIALMENTE ABIERTA.**
5. Pruebe el sistema de reversa de seguridad mensualmente. La puerta de la cochera debe retroceder al entrar en contacto con un objeto que mida 50 mm (1-1/2") de altura (o una tabla de 50x 100 mm [2x4"] en posición horizontal) en el piso. Si no ajusta correctamente el abre-puerta aumenta el riesgo de lesiones graves o la muerte.
6. De ser posible, use el desenganche el liberador de emergencia para soltar el carro solo cuando la puerta de la cochera está cerrada. Tenga precaución cuando utilice este desenganche con la puerta abierta. Si los resortes están débiles o rotos, o la puerta desequilibrada pueden ocasionar que una puerta abierta caiga rápida y/o inspiradamente y aumentan el riesgo de lesiones graves o la muerte.
7. **MANTENGA SIEMPRE LA PUERTA DE LA COCHERA DEBIDAMENTE EQUILIBRADA.** Vea el manual para cualquier duda. Si la puerta no está debidamente equilibrada es posible que no retrocede cuando así se requiera y podría ocasionar una lesión grave o incluso la muerte. Todas las reparaciones de los cables, resortes y otras partes deben ser realizadas por un técnico especializado en sistemas de puertas.

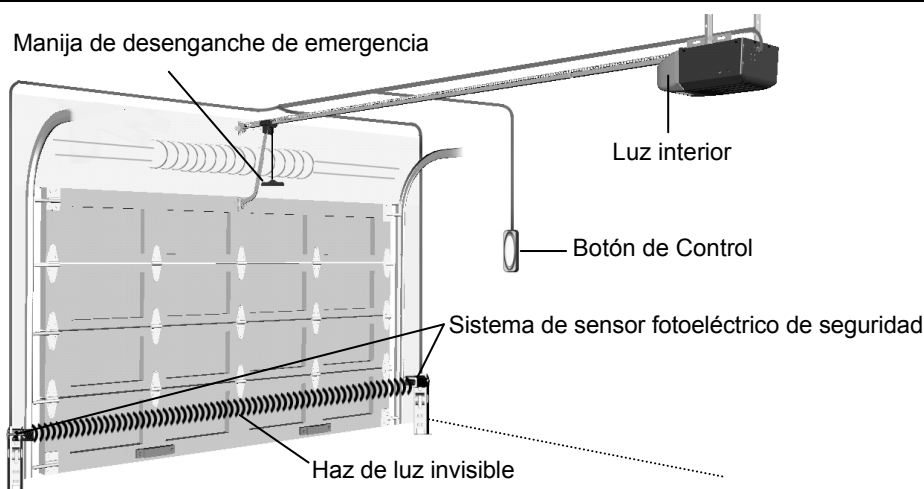
CONSERVE ESTAS INSTRUCCIONES.

Operación del Abridor

ADVERTENCIA





Para evitar LESIONES GRAVES o la MUERTE:

- LEA Y SIGA TODAS LAS INSTRUCCIONES Y LAS ADVERTENCIAS EN EL MANUAL DEL PROPIETARIO Y LAS ETIQUETAS.
- Mantenga el control remoto y la pila fuera del alcance de los niños.
- NUNCA permita que los niños accedan al botón de oprimir o a los controles remotos.
- Haga funcionar la puerta SÓLO cuando esté ajustada de manera apropiada, y cuando no hay obstrucciones y esté a la vista.
- SIEMPRE mantenga a la vista una puerta en movimiento hasta que esté completamente cerrada. NUNCA cruce el paso de una puerta en movimiento.
- Si se hace el ajuste del límite del recorrido, es posible que se necesite hacer el ajuste de la fuerza.
- Después de CUALQUIER ajuste, DEBE realizarse la prueba de seguridad de reversa para asegurar que la puerta retrocede al entrar en contacto con un objeto de 1-1/2" de ancho (tabla en posición horizontal de 2 x 4).
- SIEMPRE asegúrese de que su puerta esté balanceada y en buenas condiciones de funcionamiento.



Escenario de funcionamiento real


Activación del Abre-puerta

| Controles | Operación |
|-------------------------------------------------------------------------------------------------------------------------------|----------------------------------------------------------------------------------------------------------------------------------------------------------------------------------------------------------------------------------------------------------------------------------------------------------------------------------------------------------------------------------------------------------------------------------------------------------------|
|  Botón de Control | Mantenga presionado el Botón Pulsador hasta que la puerta comienza a moverse, y también controla lo siguiente: <ul style="list-style-type: none"> - Abre o cierra la puerta. - Da marcha atrás cuando la puerta se está cerrando - Detiene la puerta mientras se está abriendo. - Cierra la puerta cuando el Sistema de Seguridad de Sensor Óptico no está instalado, está desalineado u obstruido INTENCIONALMENTE. |
|  1-Botón Control Remoto | El control remoto funciones* con una distancia de 100 pies en campo abierto. * Por motivos de seguridad el Control Remoto portátil NO funcionará si el sistema de Seguridad de Sensor óptico no está instalado o alineado adecuadamente. |
|  Teclado de Entrada Inalámbrico sin Llave* | Programe el teclado de entrada sin llave y acceda a la puerta utilizando el código PIN. |
|  *3-Botón Mini Control Remoto | Distancia remota hasta 100 pies en campo abierto. Por motivos de seguridad, el control remoto manual NO funcionará si el sistema de seguridad del ojo eléctrico no está correctamente instalado y alineado. |


*Opcional

Consulte la sección Accesorios en las Piezas de Reparación de este manual para la compra.

Estado de la Puerta vs. Activación

| Estado de la Puerta |  Activación mediante botón de control/romoto |
|-----------------------------------------------------------------------------------|-------------------------------------------------------------------------------------------------------------------------------|
| Puerta en posición completamente abierta / cerrada | La puerta se moverá a la posición completamente cerrada / abierta |
| Puerta cerrandose | La puerta dará marcha atrás |
| Puerta abriendose | La puerta se detendrá |
| La puerta está detenida como se desea en una posición parcialmente abierta | Se cerrará |
| La puerta está obstruída mientras se cierra | La puerta dará marcha atrás destellando la luz interna |
| La puerta está obstruída mientras se abre | La puerta se detendrá |
| La puerta está completamente abierta y el Sistema de Sensor Óptico está obstruído | La puerta no cerrará |

Respuestas de la Luz Interna

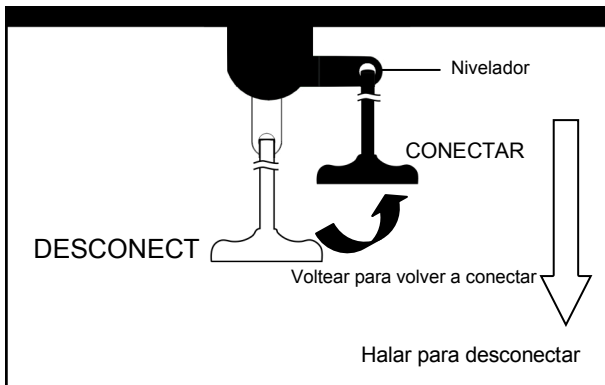
| Operación / Condición |  Respuesta de la Luz Interna |
|-----------------------------------------------------------------------------------------------|---------------------------------------------------------------------------------------------------------------|
| El Abre-puerta está inicialmente enchufado / fuente de alimentación restaurada | Destella 5 veces |
| Al activar el Abre-puerta | Se enciende por 4-1/2 minutos y se apaga automáticamente |
| Se presiona el botón "APRENDER" | Se enciende por 30 segundos |
| Aceptación del Control Remoto / Código Pin de Entrada sin llave | Destella 5 veces |
| El Sistema de Sensor Óptico es obstruído durante el cierre de la puerta o durante la apertura | Destella por 30 segundos (Re-alinear y quitar obstrucción) |
| Recalentamiento del motor del Abre-puerta (Protección Térmica) | Destella 5 veces (Espere alrededor de 15 minutos para que se enfríe) |

Operación manual

ADVERTENCIA

Para evitar LESIONES GRAVES o la MUERTE:

- Utilice el desenganche de emergencia para desconectar el carro SÓLO cuando la puerta esté cerrada para evitar la caída rápida inesperada en caso de un puerta no balanceada / mal acondicionada.
- Utilice el desenganche de emergencia SÓLO cuando el recorrido de la puerta esté libre de personas y obstrucciones.
- NO utilice el desenganche de emergencia para halar la puerta abierta o cerrada.



En caso de un fallo de alimentación o la puerta obstrucción, tire de la corda de emergencia para liberar la puerta del abrelatas

Para desconectar el carro para el funcionamiento manual

Con la puerta cerrada, tire hacia abajo la corda de emergencia a la posición de desconexión. La puerta se puede subir / bajar manualmente

Para volver a conectar el carro

Tire la corda hacia el abre-puerta de manera que la palanca le dará la vuelta hasta la posición CONECTAR. El trole se reconecta a sí mismo cuando se active el operador o cuando la puerta se abre manualmente / cerrado

Mantenimiento

| Programación | Mantenimiento |
|------------------|---------------------------------------------------------------------------------------------------------------------------------------------------------------------------------------------------------------------------------------------------------------------------------------------------------------------------------------------------------------------------------------------------------------|
| Una vez al mes | Prueba de balance de la puerta, consulte la página 31. Prueba de seguridad de marcha atrás, consulte la página 46. |
| Dos veces al año | Verificación de la tensión de la cadena (consulte la página 32 para ajustes si es necesario). |
| Una vez al año | - Ajustes de límite de desplazamiento y fuerza pueden ser necesarios debido a las condiciones climáticas. Consulte las páginas 44-45 para ajustes. Realice la Prueba de Seguridad de Marcha Atrás luego de CUALQUIER ajuste. - Lubrique los rodillos de la puerta, rodamientos y visagras. El Abre-puerta está permanentemente lubricado. NO lubrique o engrase el Abre-puerta, riel o guías de la puerta. |

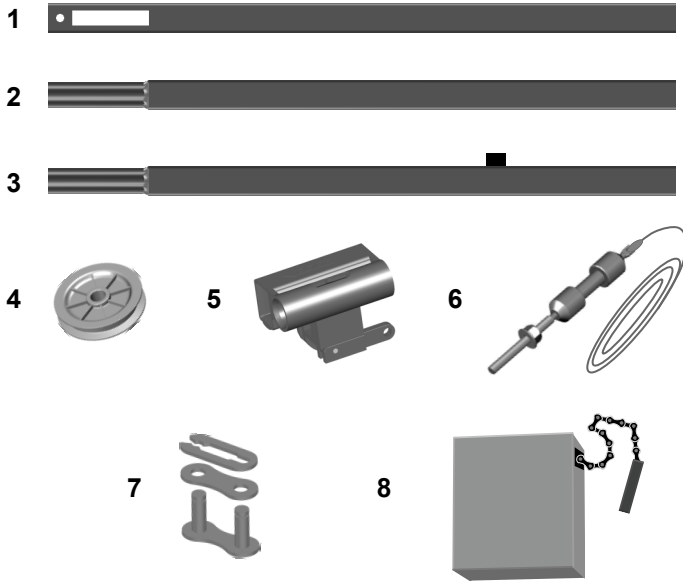
Solución de Problemas

| Problema | Possible Cause / Solution |
|----------------------------------------------------------------------------------------------------------------|-------------------------------------------------------------------------------------------------------------------------------------------------------------------------------------------------------------------------------------------------------------------------------------------------------------------------------------------------------------------------------------------------------------------------------------------------------------------------------------------------------------------------------------------------------------------------------------------------------------------------------------------------------------------------------------------------------------------------------------------------------------------------------------------------------------------------------------------------------------------------------------------------------------------------|
| El abre-puerta no cierra y la luz destella | El Sensor Óptico puede estar obstruido, puede que no esté alineado o instalado correctamente, verifique la conexión y alineación consultando las páginas 40 & 41. |
| El abre-puerta no responde al Control Remoto | - Consulte la página 47 para reprogramar el Control Remoto. - Verifique la batería del Control Remoto |
| El abre-puerta se detiene antes de abrirse / cerrarse por completo | El Límite de Desplazamiento o la Fuerza no están ajustadas de manera adecuada, verifique los ajustes consultando las páginas 44-45. Realice la Prueba de Seguridad de Marcha atrás luego de CUALQUIER ajuste. |
| La puerta da marcha atrás de manera inintencionada | - Asegúrese que el Sistema de Seguridad de Sensor Óptico esté alineado y libre de obstrucciones. - Consulte la página 31 para verificar el balance de la puerta - Consulte la página 44-46 para reajustar la fuerza |
| La puerta da marcha atrás al tocar el suelo y la luz interna destella | Consulte la página 44 para disminuir el Límite de Desplazamiento de Cierre por 1/4 de vuelta hasta que la puerta se detenga en la posición deseada de cierre. Realice la Prueba de Seguridad de Marcha Atrás luego de CUALQUIER ajuste. |
| La luz interna destella 5 veces y el Abre-puerta no enciende | El motor del abre-puerta está recalentado, espere alrededor de 15 minutos y vuelva a probar. |
| El Abre-puerta no cierra la puerta y el indicador de uno de los Sensores Ópticos destella | El Sistema de Seguridad del Sensor Óptico está mal alineado u obstruido, consulte la página 43 para una correcta alineación. |
| El Abre-puerta no cierra pero las luces LED verdes y rojas del Sensor Óptico están iluminadas | Desconecte la fuente de alimentación, establezca el botón del Sensor Óptico en "ACTIVADO", vuelva a conectar la fuente de alimentación. |
| El Abre-puerta no cierra- El Sensor Óptico no está instalado | Desconecte la fuente de alimentación, establezca el botón del Sensor Óptico en "DESACTIVADO", vuelva a conectar la fuente de alimentación. |
| El Abre-puerta está funcionando de manera correcta pero la luz de interior no se enciende | Reemplace la bombilla (A19 incandescente de potencia máxima de 100W). |
| La luz interior no se apaga | El relé en el Tablero Lógico está trabado. Presione el relé para liberarlo. Reemplace el tablero lógico. |
| El abre-puerta emite un zumbido cuando el carro choca contra el perno limitador del carro en recorrido abierto | <ol style="list-style-type: none"> 1. Asegúrese de que el carro se encuentre en dirección del perno limitador del carro. 2. Utilice la llave de liberación de emergencia para retirar el carro. 3. Cierre la puerta manualmente. 4. Suelte el conector de cadena a cable y la tuerca de brida para reducir la tensión de la cadena (consulte la página 33). 5. Utilice el abre-puerta para que la varilla del carro se desplace hacia la puerta (el carro debe permanecer desconectado). 6. Consulte la página 44 para reducir el límite de recorrido abierto 2 giros completos. 7. Consulte la página 33 para volver a ajustar la cadena hasta que se encuentre a 1/4" (6mm) sobre la base del riel (consulte la figura que se muestra en la página 33). 8. Repita los pasos anteriores si el carro aún choca contra el perno limitador. |

Piezas de Recambio

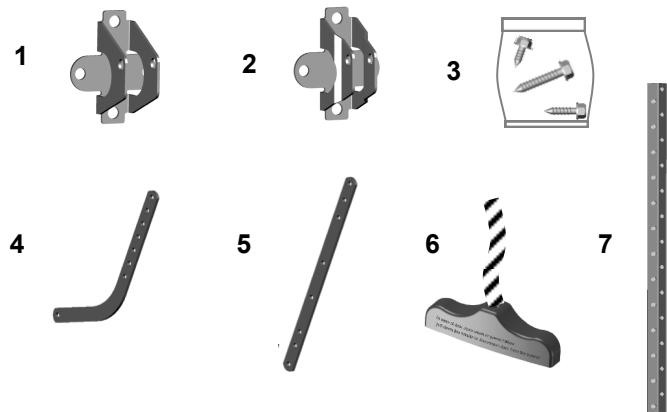
Para comprar piezas de recambio, llame al 1-888-331-4569

Piezas del Montaje del Riel



| Item | Part No. | Name / Description |
|------|----------|--------------------------------------------------------------|
| 1 | RP-001 | Riel - Segmento de la cabecera |
| 2 | RP-002 | Riel - Segmento del medio |
| 3 | RP-003 | Riel - Segmento final (cónico) con perno limitador del carro |
| 4 | GUT-840 | Ménsula |
| 5 | RP-004 | Carro |
| 6 | RP-005 | Varilla de carro y cable |
| 7 | GUT-410 | Juego de enlace maestro |
| 8 | RP-006 | Cadena |

Piezas de Instalación



| Item | Part No. | Name / Description |
|------|----------|-------------------------------------------------------|
| 1 | RP-007 | Soporte de cabecera |
| 2 | GUAT-022 | Soporte de la puerta |
| 3 | RP-008 | Bolsa del equipo (Installation hardware shown on P.3) |
| 4 | GUAT-024 | Brazo curvo de la puerta |
| 5 | GUAT-025 | Brazo recto de la puerta |
| 6 | GUAT-026 | Manija de emergencia y cuerda |
| 7 | RP-009 | Soportes Colgantes |

Accesorios

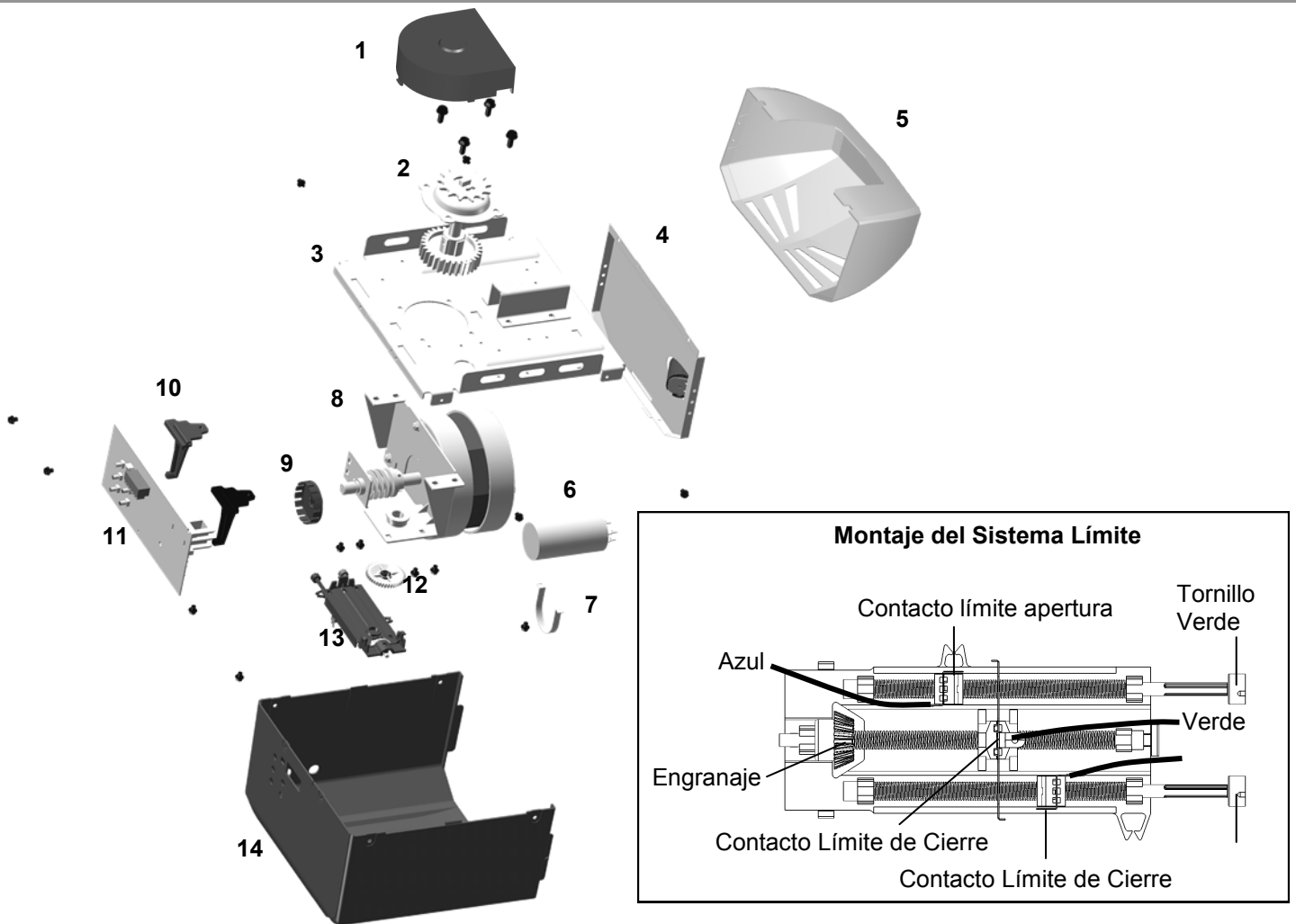


| Ítem | Pieza No. | Nombre / Descripción |
|------|-----------|-----------------------------------------------------------------------|
| 1 | GUAT-201 | Sistema de seguridad del ojo eléctrico (Emisor + Sensor con Soportes) |
| 2 | STDPX | Pulsador |
| 3 | 58502 | 1-Botón Control Remoto |
| 4 | 57938 | 3-Botón Mini Control Remoto |
| 5 | GUAT-203 | Batería Alcalina 23AE 12 Voltios |
| 6 | 57939 | Teclado de Entrada Inalámbrico sin Llave |
| 7 | CR-001 | Manual del Propietario |

*Opcional

Para adquirir accesorios opcionales, visite una tienda de Craftsman, llame al 1-888-331-4569, o visite www.sears.com.

Piezas del Montaje del Abridor



| Ítem | Pieza No. | Nombre / Descripción |
|------|-----------|---------------------------------------------------|
| 1 | GUAT-327 | Cubierta de portacadena |
| 2 | GUAT-323 | Conjunto de engranaje y porta cadena |
| 3 | GUAT-341 | Chasis |
| 4 | GUAT-303 | Panel de foco |
| 5 | CR-003 | Mica |
| 6 | GUAT-305 | Capacitor |
| 7 | GUAT-306 | Retén del Capacitor |
| 8 | CR-004 | Motor de repuesto y conjunto de soporte universal |
| 9 | GUAT-308 | Anillo exterior del interruptor |
| 10 | GUAT-309 | Retén de panel lógico |
| 11 | GUAT-310 | Panel lógico |
| 12 | GUAT-311 | Engranaje Interruptor Limite |
| 13 | GUAT-312 | Ensamble Interruptor Limite |
| 14 | CR-002 | Cubierta |

* Debe ser reemplazado sólo por un técnico cualificado.

GARANTÍA CRAFTSMAN

GARANTÍA LIMITADA DE 90 DÍAS EN EL HOGAR

POR 90 DÍAS a partir de la fecha de venta este producto está garantizado contra defectos de material o mano de obra. Con la prueba de compra, un producto defectuoso será reparado gratuitamente.

GARANTÍA LIMITADA EN LAS PIEZAS

A PARTIR DEL 91º DÍA A 1 AÑO de la fecha de venta este producto está garantizado contra piezas defectuosas. Con la prueba de compra, será suministrada una pieza nueva para reemplazar una defectuosa de forma gratuita. No se incluyen los gastos de instalación profesional.

GARANTÍA LIMITADA EN EL MOTOR

A PARTIR DEL 91º DÍA HASTA 4 AÑOS de la fecha de venta, el motor de este producto está garantizado contra defectos de material o mano de obra. Con la prueba de compra, será proporcionado un nuevo motor para reemplazar de forma gratuita uno defectuoso. No se incluyen los gastos de instalación profesional.

SERVICIO DE GARANTÍA

Para obtener información sobre la cobertura de la garantía para obtener piezas de reparación o reemplazo del producto, llame al 1-888-331-4569.

RESTRICCIÓN DE GARANTÍAS

Esta garantía no cubre las bombillas, las cuales son piezas desechables, o piezas de reparación necesarias debido al abuso o negligencia del operador, incluyendo fallas de instalación, ajuste y operación del abridor de la puerta de garaje conforme a las instrucciones contenidas en el manual del propietario. Esta garantía tampoco cubre los problemas causados por interferencias.

LIMITACIÓN DE RESPONSABILIDAD

El vendedor no será responsable por pérdidas o daños a la propiedad o cualquier pérdida o gasto incidental o consecuencial por daños a la propiedad debidos directa o indirectamente al uso de este producto. Algunos estados no permiten la exclusión o limitación de daños incidentales o consecuentes, por lo que la limitación o exclusión anterior puede no aplicarse a usted.

RENUNCIA DE GARANTÍAS IMPLÍCITAS

Excepto para el motor, todas las garantías implícitas para este producto, incluyendo pero no limitado a cualquier garantía implícita de comerciabilidad y aptitud para un propósito particular, son limitadas en duración al período de 90 días y 91 días a través de un período de garantía limitada de 1 año establecido anteriormente. Todas las garantías implícitas con respecto al motor están limitadas en duración al 91º día a través del período de garantía limitada de 4 años establecido anteriormente. Ninguna garantía implícita existirá o se aplicará después de dichos períodos. Algunos estados no permiten limitaciones en cuanto a la duración de una garantía implícita, por lo que las limitaciones anteriores pueden no aplicarse a usted.

Esta garantía se aplica solo mientras este producto esté en uso en los Estados Unidos.

Esta garantía le otorga derechos legales específicos y también puede tener otros derechos que varían de estado a estado.

Transform SR Brands Management LLC, Hoffman Estates, IL 60179

CRAFTSMAN®

**To order replacement parts
or schedule repair service**

**Para ordenar piezas
o pedir servicio de reparación**

1-888-331-4569