

Amana Bottom Freezer Refrigerator Owner's Manual

English	1
Español	19
Français	38

Keep these instructions for future reference. Be sure this manual stays with refrigerator.

Contents

Electrical Requirements	2
Model Identification	2
Service	3
Asure™ Extended Service Plan	3
Parts and Accesories	3
Proper Disposal of Your Refrigerator	3
Installation Instructions	3
Space Requirements	3
Leveling Refrigerator	3
Door Reversal	4
Connect ice maker water supply line (some models)	6
Installation Checklist	7
Controls	8
Fresh Food and Deepfreeze™ Controls	8
Setting Controls	8
Fresh Food Features	8
Fresh Food Shelves	8
Adjustable Deli Drawer™ (some models)	8
Garden Fresh™ Crisper	9
Chiller Fresh™ System (some models)	9
Storage Rack (some models)	10
Covered Storage Bucket (some models)	10
Dairy Center (some models)	10
Door Buckets	10
Tall Package Retainer	10
Door Shelves	10
Adjustable Divider (some models)	11
Bottle Holder	11
Deepfreeze™ Features	11
Frost-Free System	11
Automatic Ice Maker (some models)	11
Ice Service Rack (some models)	11
Slideout Shelf (some models)	12
Vertical Shelf Divider (some models)	12
Fixed Wire Shelf (some models)	12
Wire Basket (some models)	12
Ice Bin (some models)	12
Care and Cleaning	13
General Cleaning	13
Adhesives	13
Door Gaskets	13
Condenser Coils	13
Glass Shelves	13
Odor Removal	13
Light Bulb Replacement	14
Vacation Tips	14
Energy Tips	14
Normal Operating Sounds	15
Before Calling For Service	16
Warranty	18
Espanol	19
Français	38

Note

Translation may sometimes cause variations in meaning. In all cases where meaning varies, the most accurate meaning will be the English version of this document.



Recognize this symbol as a safety precaution.

Electrical Requirements



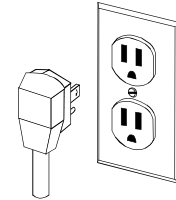
WARNING

To avoid electrical shock which can cause severe personal injury or death do not cut or remove the round grounding prong from the plug. Refrigerator must be grounded at all times. Do not remove warning tag from power cord.

Do not use a two-prong adapter. Do not use an extension cord.

Electrical Grounding Instructions — This refrigerator is equipped with a three-prong (grounding) plug for protection against possible shock hazards. If you encounter a two-prong receptacle, contact a qualified electrician and have the two-prong wall receptacle replaced with a properly grounded three-prong wall receptacle in accordance with the National Electrical Code.

Refrigerator is designed to operate on a separate 103 to 126 volt, 15 amp., 60 cycle line.



Model Identification

Thank you for purchasing this Amana® refrigerator. Please read this Owner's Manual thoroughly. This manual provides proper maintenance information. Any questions, call the Consumer Affairs Department at 1-800-843-0304 inside U.S.A. and 1-319-622-5511 outside the U.S.A.

Complete registration card and promptly return. If registration card is missing, call the Consumer Affairs Department.

When contacting Amana , provide product information. Product information is on the serial plate, located on upper left corner ceiling of Fresh Food section. Record the following information.

Model Number: _____

Manufacturing Number: _____

S/N or Serial Number: _____

Date of Purchase: _____

Dealer's name and address: _____

**For more information visit our website
www.amana.com**

Service

Keep a copy of sales receipt for future reference or in case warranty service is required. Any questions or to locate an authorized servicer, call 1-800-NAT-LSVC (1-800-628-5782) inside U.S.A. 319-622-5511 outside U.S.A. Warranty service must be performed by an authorized servicer. Amana also recommends contacting an authorized servicer if service is required after warranty expires.

Asure™ Extended Service Plan

Amana offers long-term service protection for this new refrigerator. Asure™ Extended Service Plan is specially designed to supplement Amana's strong warranty. This plan covers functional parts, labor, and travel charges. Call 1-800-528-2682 for information.

Parts and Accessories

Purchase replacement parts and additional accessories (e.g. refrigerator shelves) over the phone. To order accessories for your product, call 1-800-843-0304 inside U.S.A. or 319-622-5511 outside U.S.A.

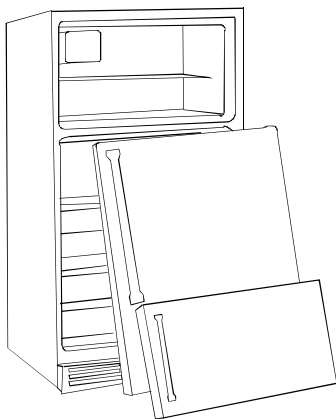
DANGER

Proper Disposal of Your Refrigerator

IMPORTANT: Child entrapment and suffocation are not problems of the past. Junked or abandoned refrigerators are still dangerous--even if they will sit for "just a few days." If you discard an old refrigerator, please follow the instructions below to help prevent accidents.

BEFORE YOU THROW AWAY YOUR OLD REFRIGERATOR OR FREEZER:

- Take off the doors.
- Leave the shelves in place so that children may not easily climb inside.



Installation Instructions

Proper installation will ensure this refrigerator operates most efficiently.

Space Requirements

WARNING

Keep flammable materials and vapors, such as gasoline, away from refrigerator. Failure to do so can result in death, explosion, fire, or burns.

- To ensure proper ventilation for your refrigerator, allow for a 1"(2.5 cm) space at the top of your refrigerator.
- If your refrigerator has an ice maker, make sure you leave some extra space at the back to allow for the water line connection. The refrigerator can be flush with the back wall if you do not have an ice maker installed.
- If you are installing your refrigerator next to a fixed wall, leave 2 ½" minimum on hinge side (depending on your model) to allow for the door to swing open 90°.

NOTE: Do not install the refrigerator near an oven, radiator, or other heat source. Do not install the refrigerator in a location where the temperature will fall below 55°F (13°C).

Leveling Refrigerator

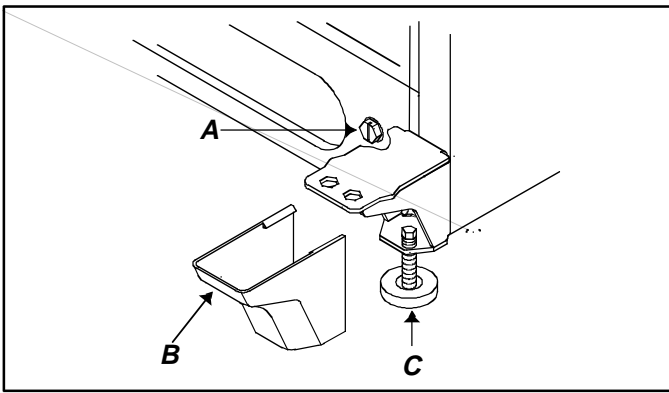
CAUTION

Protect soft vinyl or other flooring with cardboard, rugs or other protective material to avoid property damage.

Some installations may require door reversal to achieve full door swing. If so, proceed to "Door Reversal" section before leveling your refrigerator.

If your refrigerator requires an ice maker water supply connection, proceed to *Connect ice maker water supply* section before leveling your refrigerator.

1. Plug in power cord.
2. Move refrigerator into final location.
3. Level refrigerator using a level placed on top of the refrigerator.
 - Remove toe grille. Remove bottom hinge cover if refrigerator has a stabilizing leg.
 - Turn roller adjustment screws to raise or lower refrigerator cabinet. Front of refrigerator must be ¼" (6 mm), or ½ bubble on your level, higher than the back of your refrigerator.
 - Make sure refrigerator cabinet is level from side to side by adjusting left and right roller adjustment screw.
 - Turn stabilizing leg (some models) clockwise until firmly against floor.



A Roller adjustment screw
B Bottom hinge cover
C Stabilizing leg (some models)

Door Reversal

Some installations may require door reversal to achieve full door swing. To reverse door swing direction perform the following steps:

Tools Required

Putty knife (blade covered by masking tape)

$\frac{5}{16}$ " hex nut driver

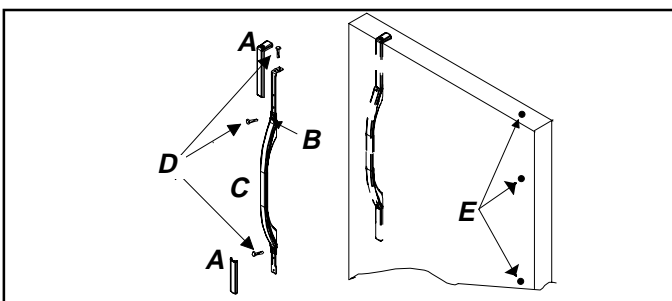
$\frac{3}{8}$ " hex nut driver

$\frac{1}{4}$ " hex nut driver

Phillips screwdriver

Blade screwdriver

1. Remove refrigerator handle.
 - Remove handle screw from top handle trim. Pry up edge of handle trim using a putty knife with the blade covered with masking tape. Remove handle from door by removing 1 remaining mounting screw at each end of handle.
 - Remove 1 plug from top hinge side of door and 2 from front hinge side of door. Replace 3 plugs in empty mounting holes.



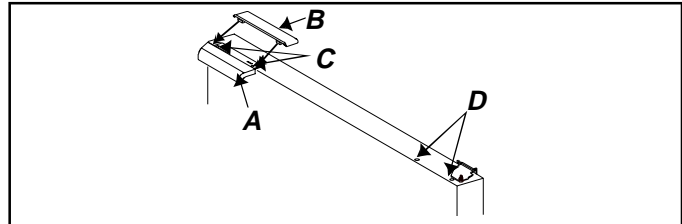
A Handle trim
B Name plate
C Handle
D Screw
E Plugs

IMPORTANT: For plug removal requiring use of flat blade screwdriver or putty knife, **blade of tool must be covered with masking tape to avoid damage to refrigerator finish.** For plugs using a screwdriver- or nut driver- style head, use appropriate tool to avoid damage to plugs.

2. Remove freezer door handle.
 - Open freezer door 90°. Locate two notches on back of freezer handle. Insert flat screwdriver

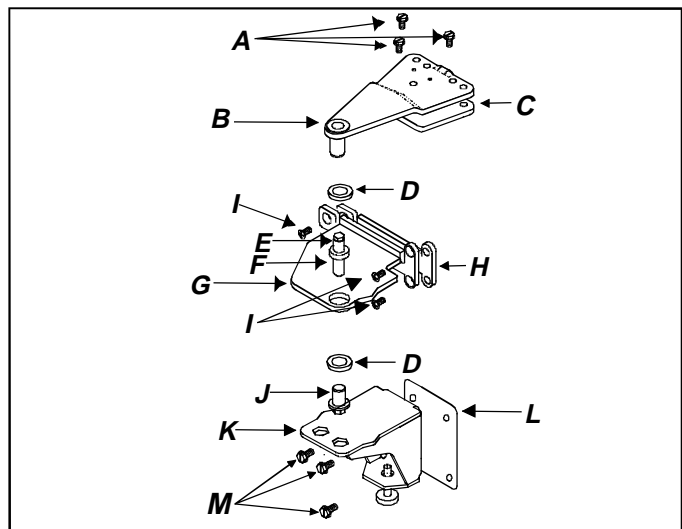
driver blade or putty knife blade wrapped in masking tape. Pry up back edge of handle cap and remove from handle.

- Remove handle from door by removing two mounting screws.
- Remove 2 plugs from opposite side of freezer door and replace in empty mounting holes.



A Freezer handle
B Handle cap
C Screws
D Plugs

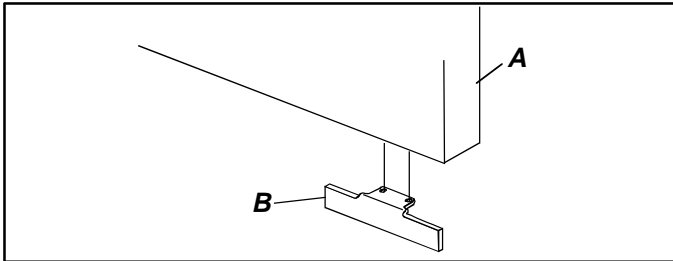
3. Remove top hinge cover. Top hinge cover snaps off. Remove top hinge and hinge shim using hex nut driver. Remove and retain all shims.
4. Remove refrigerator door by lifting door off of center hinge pin. Inspect door to verify all shims are with hinge pin.
5. Remove center hinge pin using hex nut driver. Due to tight fit of pin, firm pressure may need to be applied. Remove and retain all shims.
6. Remove freezer door by lifting door off bottom hinge.
7. Remove center hinge bracket and shim using Phillips screwdriver.
8. Remove toe grille and bottom hinge cover. Both snap off.
9. Remove bottom hinge and hinge shims using hex nut driver. Remove and retain shims.



A $\frac{5}{16}$ " hex nut screws
B Top hinge
C Hinge shim(s)
D Round shim(s)
E $\frac{5}{16}$ " hex nut
F Center hinge pin
G Center hinge
H Center hinge shim(s)
I Phillips screws
J Bottom hinge pin
K Bottom hinge
L Bottom hinge shim(s)
M $\frac{3}{8}$ " screws

10. Reverse door stops.

- Locate door stop at bottom edge of refrigerator door. Unscrew two Phillips screws to remove door stop. Remove the two Phillips screws on opposite edge of door. Mount door stop on opposite side. Replace remaining screws in empty mounting holes.
- Repeat the above instructions to reverse door stop on freezer door.

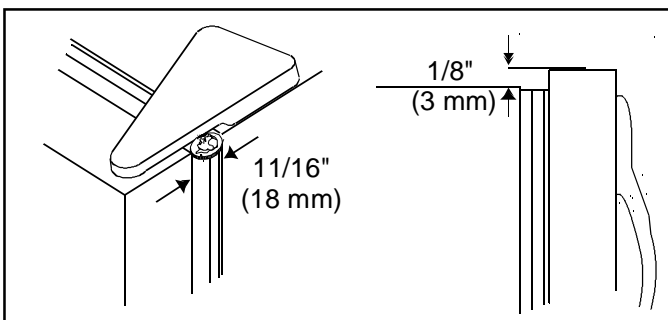


A Door

B Door stop

11. Reverse doors by performing the following steps:

- Remove plugs and screws in opposite side of refrigerator cabinet. Insert in holes left from hinge removal.
12. Mount bottom, center, and top hinges with shims on opposite side of cabinet.
- Replace bottom hinge on opposite side of cabinet. Verify hinge shims are in position before screwing into place. After placing hinge pin into outside hole, replace round shims. Some bottom hinges may have plugs in holes. In case of this, remove plug from outside hole, put pin in hole, and replace plug in empty hole.
 - Replace center hinge bracket and hinge shim, and screw into place.
 - Hang freezer door.
 - Replace center hinge pin with hex nut driver. Make sure fit is tight. Replace round shims.
 - Replace top hinge and shims, but allow enough clearance to slide hinge side of refrigerator door into place. Tighten down top hinge to securely hold door.
 - Use a dime at top to space door $1\frac{1}{16}$ " (18 mm) from cabinet.
 - Handle side of door should be approximately $\frac{1}{8}$ " (3 mm) higher than hinge side. **Door will become level when it is loaded with food.**



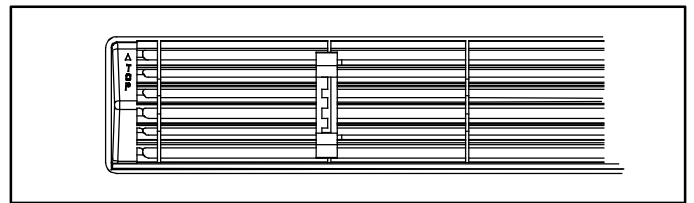
13. Mount refrigerator handle on opposite side of door using mounting screws removed in previous step.

- Snap handle trim into place and replace screw.
14. Mount freezer handle to opposite side of door using mounting screws removed in previous step.
- Angle front edge of handle cap downward toward back lip of freezer handle. Verify bottom tab on freezer cap slides under rear lip of freezer handle. Snap rear edge of handle cap in place.
15. Check unit for proper leveling following instructions in section titled *Leveling Refrigerator*, starting with step 3.

16. Replace toe grille and bottom hinge cover.

Important: Look for arrow printed on inside of grille to insure proper placement.

- **Snap top portion into place first.** Press down on lower part of grille until bottom portion snaps into place.



17. Apply a thin coat of petroleum jelly to hinge side of gaskets on both the refrigerator and freezer door.

Connect ice maker water supply line (some models)

DANGER

To avoid electrical shock which can cause severe personal injury or death. Disconnect power to refrigerator before connecting water supply.

CAUTION

Observe the following to avoid property damage:

- Make sure water pressure to water valve is between 20 and 100 pounds per square inch.
- Tighten adapter fitting and nuts with pliers and wrenches. Do not overtighten.
- Check for water leaks and correct if necessary before returning refrigerator to normal location. After 24 hours check again for leaks.

Important

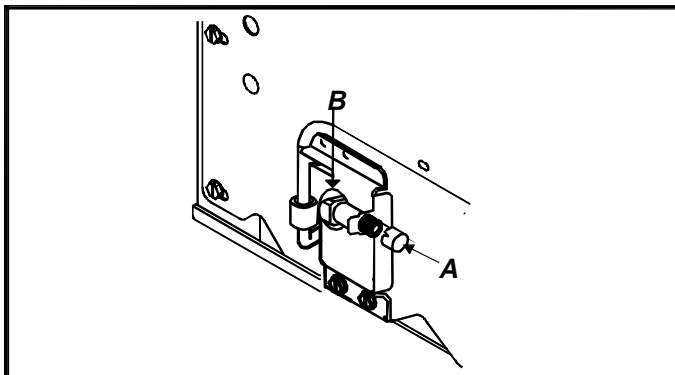
- Before connecting water supply, contact a plumber to connect copper tubing to household plumbing in compliance with local codes and ordinances.
- **DO NOT use piercing type or $\frac{3}{16}$ " saddle valves!** Both reduce water flow, become clogged with time and in addition, may cause leaks if repair is attempted. The correct type of shut-off valve requires a $\frac{1}{4}$ " hole to be drilled in the water supply pipe before valve attachment.
- Do not install copper tubing in area where temperatures drop below 32°F (0°C).

Materials Required

$\frac{1}{4}$ " O.D. (6 mm) flexible copper tubing is required. Length of copper tubing must reach from water supply connection to water valve inlet port on back of refrigerator, plus additional 8 ft. (2 m) of tubing for a service loop. A service loop will allow refrigerator to be pulled away from the wall without disconnecting tubing.

Procedure

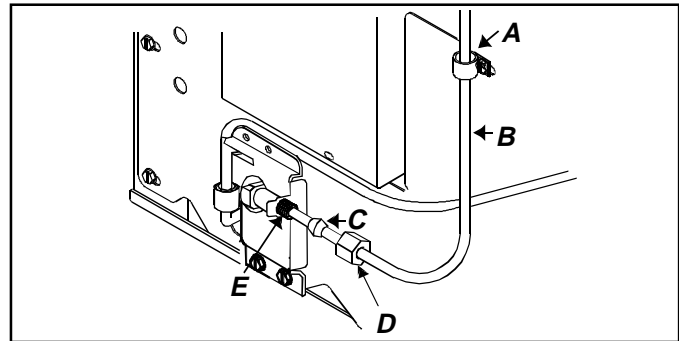
1. Remove plastic cap from water valve inlet port.



A Plastic cap B Water valve inlet port

2. Place brass nut and brass sleeve on copper tubing. (Brass nut and sleeve are found in your literature packet.) Insert copper tubing into water valve inlet

port. Connect brass nut on copper tubing to water valve inlet port. Make sure copper tubing is secure by pulling on copper tubing.



A "P" clamp D Brass nut
B Copper tubing E Water valve inlet port
C Brass sleeve

3. Turn on water supply to refrigerator and check for leaks. Correct any leaks at connection. Be careful not to overtighten connection.
4. Create a service loop using extreme care to avoid kinks. Secure copper tubing to refrigerator cabinet with a "P" clamp. It is important to secure copper tubing to refrigerator to avoid leaks when pushing refrigerator back into opening.

Installation Checklist

This checklist is for personal records only.

Consumer Installer

Doors

Handles are solidly attached to doors.

Handle side of door is 1/8" (3 mm) higher than hinge side. (Door lowers when loaded with food.)

Doors seal completely to refrigerator cabinet.

Leveling

Refrigerator is tilted 1/4" (6 mm) from front to rear.

Toe grille is properly attached to refrigerator.

Ice Maker

Water supply to refrigerator is turned on.

Water leaks are not present at connection between household water supply and refrigerator. (After 24 hours, consumer should check connection for water leaks.)

Ice maker arm is in *on* position for ice production. (It may take up to 24 hours for first harvest of ice.)

Product Literature

Owner's manual is reviewed including the following information.

- product registration card
- Fresh Food and Deepfreeze® controls
- Humidity-controlled crispers
- normal operating sounds

Notes _____

Consumer's Signature

Installer's Signature

Installer's Company Name/Phone Number

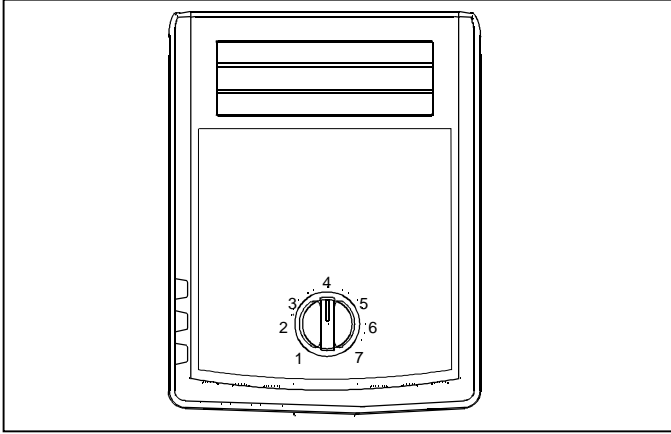
Date

Controls

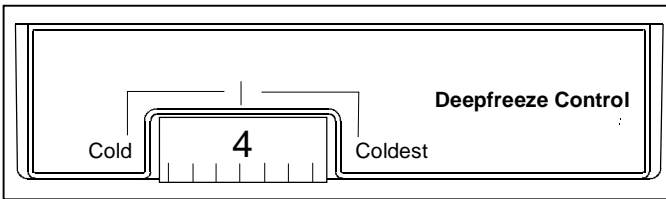
This refrigerator is designed to operate at normal household temperatures of 55° to 110°F (13° to 43°C).

Fresh Food and Deepfreeze™ Controls

Fresh Food control is located on upper rear wall of Fresh Food section.



Deepfreeze™ control is located on left front ceiling of freezer section.



Setting Controls

When Deepfreeze™ control is set to *OFF*, neither refrigerator nor freezer sections will cool. Initially, set both controls to 4. Wait 24 hours for refrigerator and freezer sections to stabilize temperatures. After 24 hours, adjust controls, one number at a time, as desired. One is warmest setting and seven is coldest.

Set controls precisely using a household thermometer with a temperature range between -5° to 50°F (-21° to 10°C).

Put thermometer snugly between frozen packages in freezer section. Wait 5–8 hours. If Deepfreeze™ temperature is not 0° to 2°F (-17° to -16°C), adjust Deepfreeze™ control one number at a time. Check again after 5–8 hours.

Put thermometer in a glass of water in middle of Fresh Food section. Wait 5–8 hours. If Fresh Food temperature is not 38° to 40°F (3° to 4°C), adjust Fresh Food control one number at a time. Check again after 5–8 hours.

Fresh Food Features

Fresh Food Shelves

Shelves adjust to meet individual storage needs. Some models feature Spillsaver™ Shelves and Easy Glide™ shelves. Spillsaver™ Shelves hold minor spills for easier cleaning.

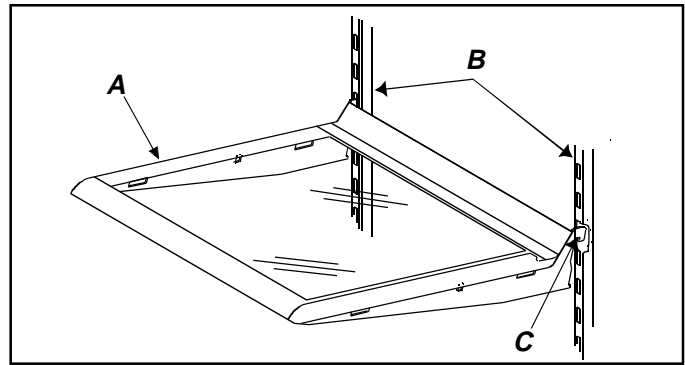
⚠ CAUTION

Make sure shelf is secure before replacing items on shelf to avoid property damage.

⚠ CAUTION

Handle tempered glass shelves carefully to avoid personal injury or property damage. Shelves may break suddenly if nicked, scratched, or exposed to sudden temperature change.

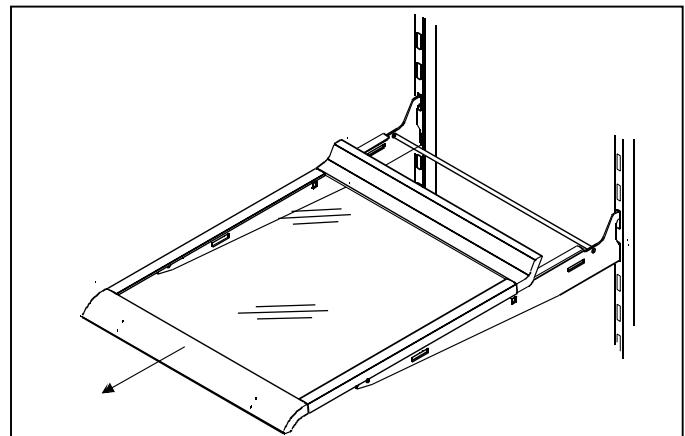
- Remove shelves by lifting up shelf front, releasing hooks from metal track, then pulling out.
- Replace shelves by inserting hooks into metal track and lowering front of shelf.



A Shelf
B Metal rack

C Hook

Easy Glide™ shelves pull forward for easy access to items in back.



Adjustable Deli Drawer™ (some models)

- Remove drawer and sleeve by lifting and pulling out. Refer to "Spillsaver™ Shelves" for instructions on removing and replacing shelf.
- Replace drawer by sliding into place.

Garden Fresh™ Crispers

Garden Fresh™ crispers keep produce fresh longer. Wrap produce tightly. Do not wash produce before placing in crispers. Excess moisture could cause produce to spoil prematurely. Do not line crispers with paper towels. Paper towels retain moisture.

Garden Fresh™ crisper control is located below front shelf trim. Control adjusts humidity in crisper drawers. Slide control to *high* for produce with leaves such as lettuce, spinach or cabbage. Slide control to *low* for produce with skins such as cauliflower, corn or tomatoes.

Remove shelf and crisper drawers by completing the following steps:

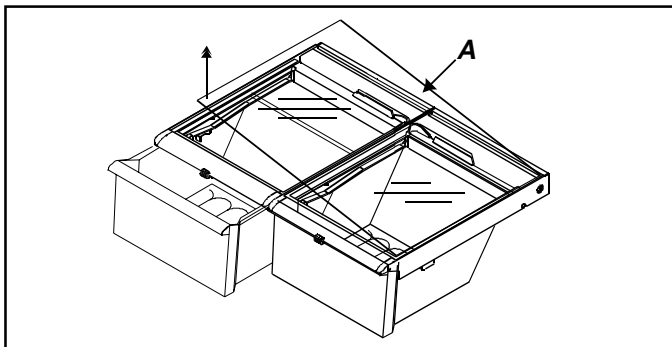
1. Open left crisper.
 - For doors hinged on left, open right crisper.



CAUTION

Handle tempered glass shelves carefully to avoid personal injury or property damage. Shelves may break suddenly if nicked, scratched, or exposed to sudden temperature change.

2. Remove glass crisper top by gently pushing up from underneath. Tilt one end up and pull out.



A Glass crisper top

3. Remove left crisper by lifting from front while supporting underneath and pulling out. For doors hinged on left, remove right crisper.
4. Remove support post at recess in bottom center of Fresh Food section.
5. Remove other crisper by sliding to opposite wall. Lift from front while supporting underneath and pull out.
6. Replace crispers and shelf by performing steps 2–5 in reverse order.

Chiller Fresh™ System (some models)

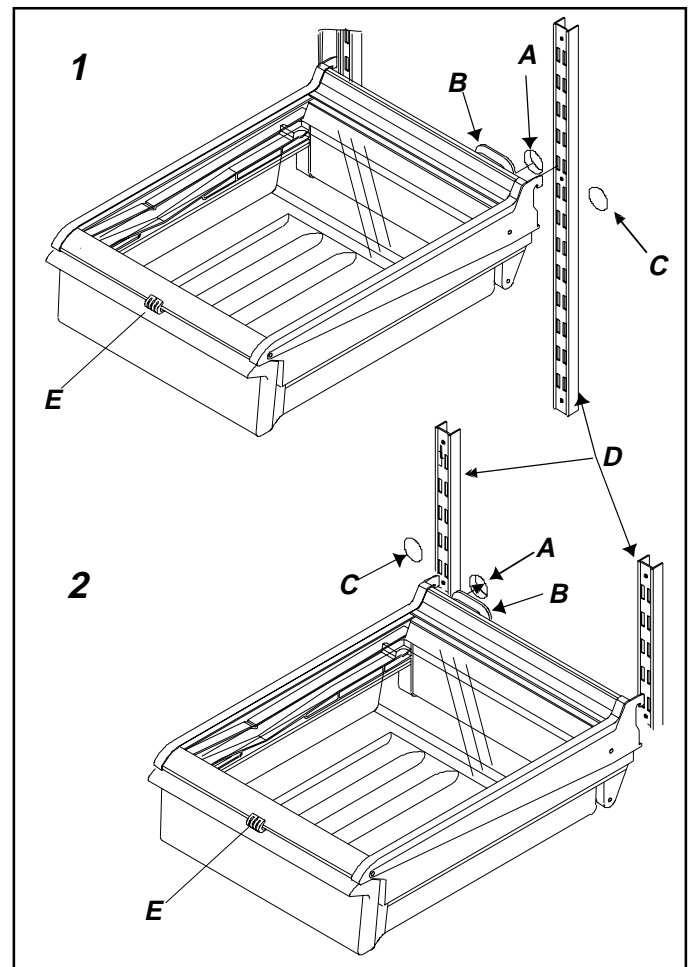
The Chiller Fresh™ System features a drawer inside a sleeve. Freezer air circulates between drawer and sleeve. This system keeps food fresh longer and up to 5°F (3°C) colder than refrigerator temperature.

Chiller Fresh™ control is located below front shelf trim. Control adjusts amount of air circulating around drawer. Slide control to *COLD* for normal refrigerator temperature and to *COLDER* for colder temperature. Ice crystals may form on drawer or food on *COLDER* setting. Cold air entering the Chiller Fresh™ drawer can decrease refrigerator temperature. Fresh Food control may need to

be adjusted to a lower number to compensate for colder air.

Chiller Fresh™ drawer can be moved from the left to the right side of the refrigerator compartment to accommodate different storage needs. To move drawer perform the following steps:

1. Remove drawer by lifting and pulling out. Remove shelf by lifting from front, releasing hooks from metal track, then pulling out.
2. Remove plastic cap from back wall of Fresh Food section by placing a knife covered with masking tape underneath cap and pulling forward.
3. Rotate boot 180° to opposite side.
4. Insert plastic cap in opposite side of Fresh Food section. Confirm cap is snugly in place. Cold air may cause food to freeze if cap is not replaced.
5. Replace shelf by inserting hooks into metal track and lowering the front. Use slots 4 though 6 only.
6. Replace drawer by sliding in. Make sure boot fits snugly over air inlet in back wall.



- 1 Chiller Fresh System installed on left side of refrigerator.
- 2 Chiller Fresh System installed on right side of refrigerator.

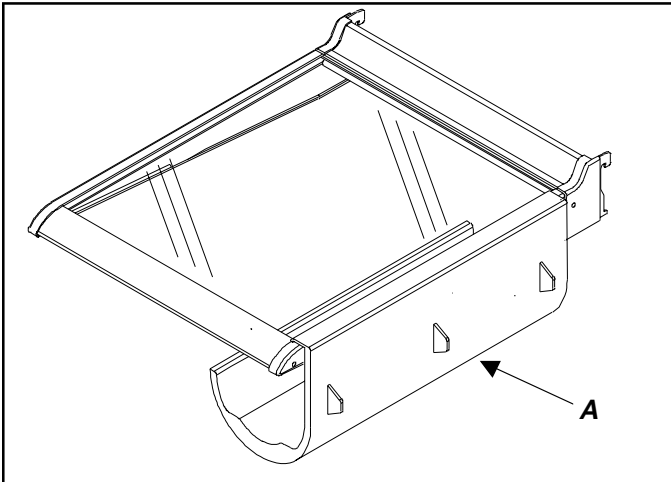
A Air inlet
B Boot

C Plastic cap
D Metal rack

Storage Rack (some models)

Storage rack provides convenient storage for a large bottle, eggs, etc.

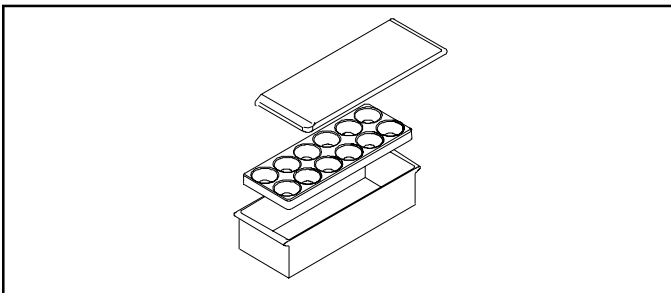
- Hang rack by hooking over side of shelf.



A Bottle rack

Covered Storage Bucket (some models)

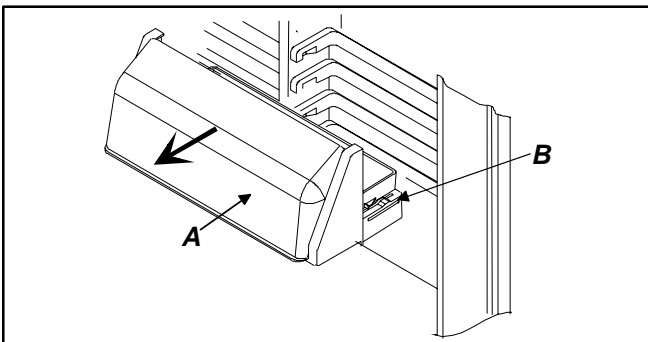
The covered storage bucket has a lid and removable egg tray. When tray is removed, bucket will accept standard egg carton, ice, etc.



Dairy Center (some models)

The dairy center provides convenient storage for butter, cheese, etc.

- Remove dairy center by lifting door, pushing tabs of shelf down on both sides, and pulling out.
- Replace dairy center by sliding in until tabs lock into place, then lower door.



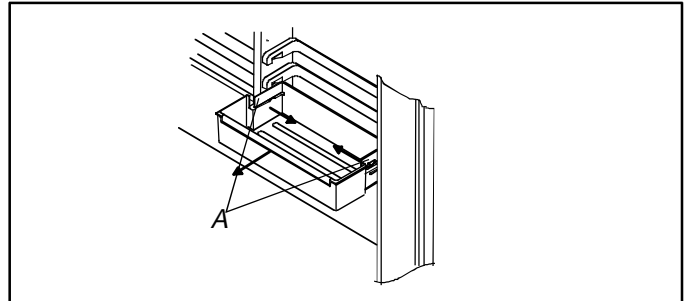
A Door

B Tab

Door Buckets

Door buckets adjust to meet individual storage needs.

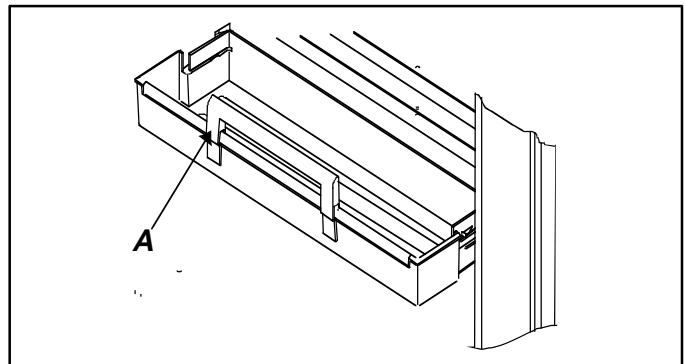
- Remove door buckets by pushing tabs on both sides of shelves toward center and pulling bucket out.
- Replace door buckets by sliding in until tabs lock into place.



A Tabs

Tall Package Retainer (some models)

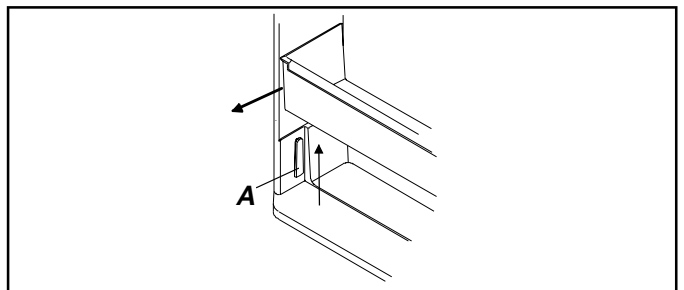
Tall package retainer keeps tall items secure. Retainer fits on front edge of any refrigerator door bucket or door shelf.



A Tabs

Door Shelves

- Remove door shelves by lifting ends and pulling out.
- Replace door shelves by placing shelf on glides and sliding down.

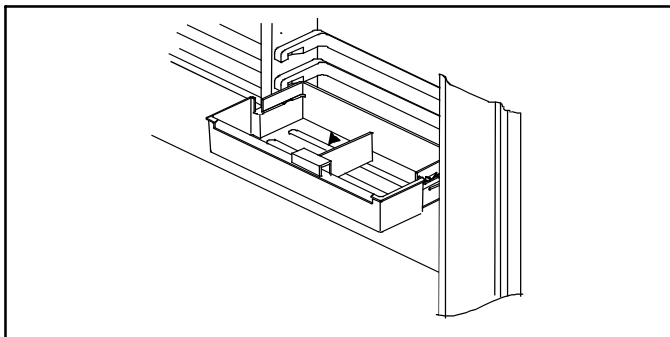


A Glide

Deepfreeze™ Features

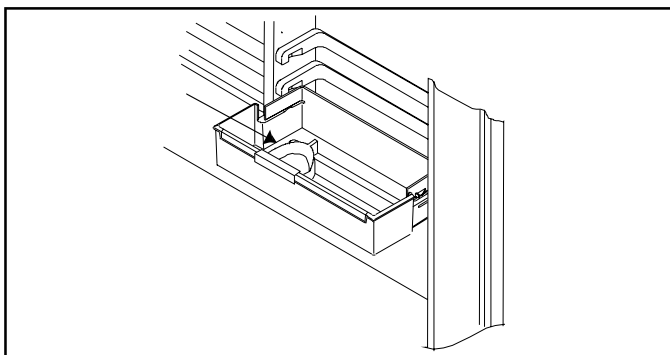
Adjustable Divider (some models)

Adjustable divider keeps items in place and adjusts to meet individual storage needs. Divider fits in any door bucket or door shelf.



Bottle Holder (some models)

Bottle holder keeps items in place and adjusts to meet individual storage needs. Bottle holder fits in any door bucket or door shelf.

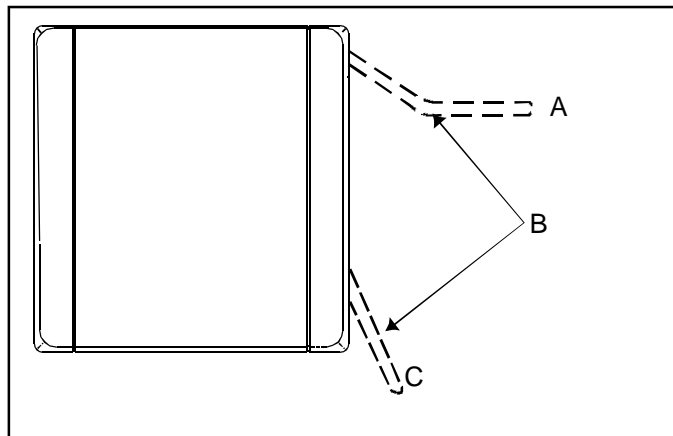


Frost-Free System

The Fresh Food and freezer sections are completely frost-free. Defrosting is automatic under normal conditions. Fresh Food and freezer sections never have to be defrosted.

Automatic Ice Maker (some models)

- Make sure ice bucket is in place and ice maker arm is down.



A Off position

B Ice maker arm

C On position

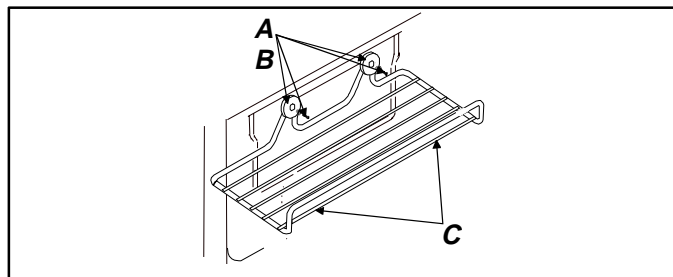
- After freezer section reaches normal temperature, the ice maker fills with water and begins operating. Allow 24–48 hours after installation before first harvest of ice. Ice maker produces 7 to 9 harvests of ice in a 24-hour period under ideal conditions.
- After ice is formed, ice maker drops ice cubes into ice storage bucket. During ice production, ice maker arm raises and lowers. When ice storage bucket is full, ice maker arm turns ice maker off.

Note: Discard first 3 harvests of ice so any impurities left in the water line after installation are not consumed.

- If you wish to stop automatic ice production lift ice maker arm. A definite click is heard when proper position is reached. Ice maker arm will remain in that position until pushed down.

Ice Service Rack (some models)

Install ice service rack by placing ice service rack on washers and sliding down.



A Washer

B Screws

C Ice service rack



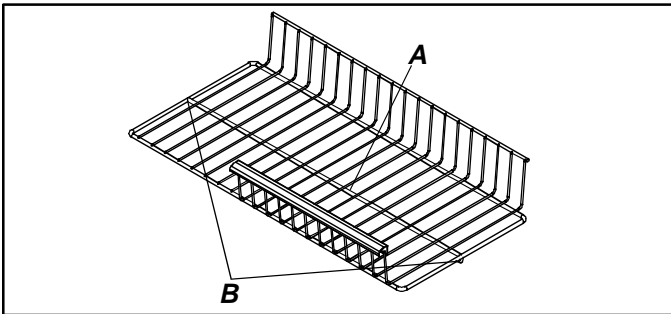
CAUTION

Make sure shelf is secure before placing items on shelf to avoid property damage.

Slideout Shelf (some models)

Slide out shelf pulls forward for easy access to items in back.

- Remove slideout shelf by sliding forward until ball point beneath center rail catches in molding groove.
- Grasp shelf by center rail, pull up, and remove.
- Slide in until ball point falls into molding groove.



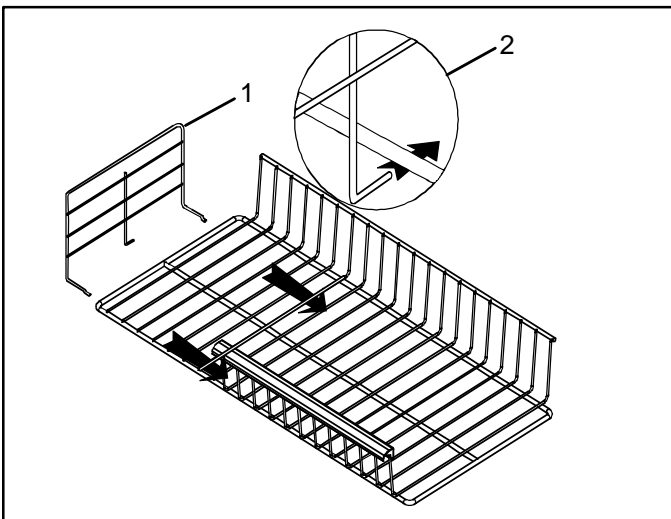
A Central rail

B Ball

Vertical Shelf Divider (some models)

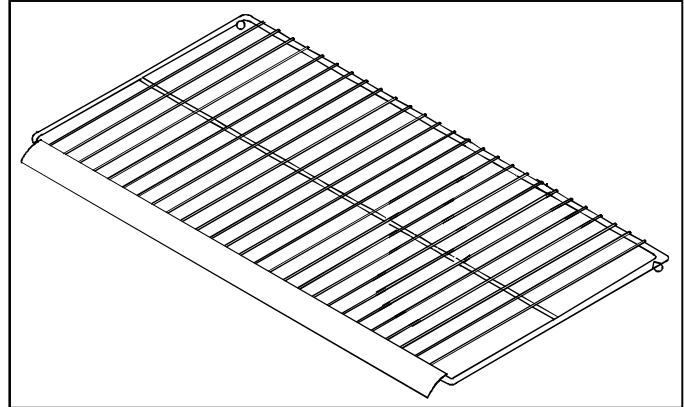
Install vertical shelf divider by completing the following steps:

1. Slide prongs of shelf divider beneath desired grill work, slightly off-center from center rail.
2. Press top of divider down and slide hook assembly beneath center rail.



Fixed Wire Shelf (some models)

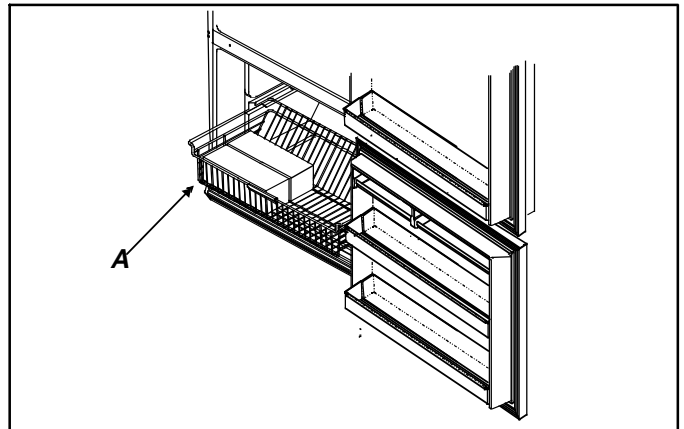
- Remove wire shelf by pulling out. A sharp tug may be necessary.
- Replace wire shelf by sliding in until back locks in place.



Wire Basket

Wire basket slides out for easy access to items in back.

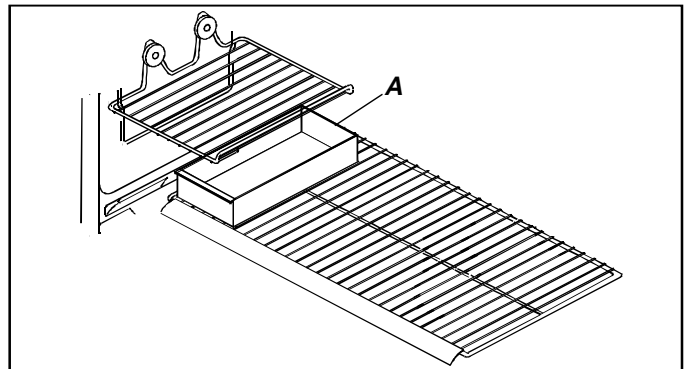
- Remove wire basket by lifting and pulling out.
- Replace wire basket by sliding in.



A Wire basket

Ice Bin (some models)

Ice bin sits below the ice service rack on the wire freezer shelf.



A Ice bin

Care and Cleaning



WARNING

Disconnect power to refrigerator before cleaning to avoid electrical shock which can cause severe personal injury or death. After cleaning, restore power.



CAUTION

Read and follow all manufacturer's cleaning directions to avoid personal injury or property damage.

General Cleaning

1. Wash surfaces and exterior with 4 tablespoons baking soda dissolved in 1 quart warm water and a soft, clean cloth.
2. Rinse surfaces and exterior with warm water. Dry surfaces with a soft, clean cloth.
3. **DO NOT USE** the following items:
 - abrasive or harsh cleaners, ammonia, chlorine bleach, etc.
 - concentrated detergents or solvents
 - metal scouring padsThese items can scratch, crack, and discolor surfaces.
4. Do not place buckets, shelves, etc., in dishwasher.

Adhesives

1. Remove adhesive residue from refrigerator surfaces by rubbing toothpaste into adhesive with fingers until adhesive loosens.
2. Rinse surface with warm water. Dry surface with a soft, clean cloth.

Door Gaskets

1. Clean door gaskets every 3 months according to General Cleaning instructions. Clean any spills immediately.
2. Apply a light film of petroleum jelly to keep gaskets pliable.

Condenser Coils

Clean condenser coil behind toe grille every 3 months to ensure maximum performance of refrigerator.

Accumulated dust and lint may cause the following:

- reduced cooling performance
 - increased energy usage
 - premature part failure
1. Remove toe grille by holding ends and pulling away from refrigerator.
 2. Clean front surface of condenser coil with a vacuum cleaner hose nozzle.
 3. Replace toe grille by inserting clips in holes and snapping in.
 4. Raise stabilizing legs (some models) by turning counterclockwise.



CAUTION

Protect soft vinyl or other flooring with cardboard, rugs or other protective material to avoid property damage.

5. Pull refrigerator away from wall. Run a vacuum brush across grille on back of refrigerator.

Glass Shelves



CAUTION

Handle tempered glass shelves carefully to avoid personal injury or property damage. Shelves may break suddenly if nicked, scratched, or exposed to sudden temperature change.

Remove shelf by lifting front, releasing hooks from metal track then pulling out. Place shelf on a towel. Allow shelf to adjust to room temperature before cleaning.

Clean crevices by completing the following:

1. Dilute mild detergent and brush solution into crevices using a plastic bristle brush. Let sit for 5 minutes.
2. Spray warm water into crevices using faucet spray attachment.
3. Dry shelf thoroughly and replace shelf by inserting hooks into metal track and lowering it from the front.

Odor Removal

1. Remove all food and disconnect power to refrigerator.
2. Clean all interior surfaces including ceiling, floor, and walls according to General Cleaning instructions above. Pay special attention to corners, crevices, and grooves. Include all drawers, shelves, and gaskets.
3. Connect power to refrigerator and return food to refrigerator. Wash and dry all containers. Wrap foods in tightly sealed containers to prevent further odor. After 24 hours, check if odor has been eliminated.

Complete steps 4–9 if odor has not been eliminated.

4. Place crispers on top shelf of refrigerator section. Pack refrigerator and freezer sections, including doors, with crumpled sheets of newspaper.
5. Place charcoal briquettes randomly throughout newspaper.
6. Close doors and let stand 24–48 hours.
7. Remove charcoal briquettes and newspapers.
8. Complete steps 2–3.

If odor is still not eliminated, contact a customer service representative with the number located in the Model Identification section.

Vacation Tips

Light Bulb Replacement

WARNING

Disconnect power to refrigerator before replacing light bulb to avoid electrical shock which can cause severe personal injury or death. After replacing light bulb, restore power.

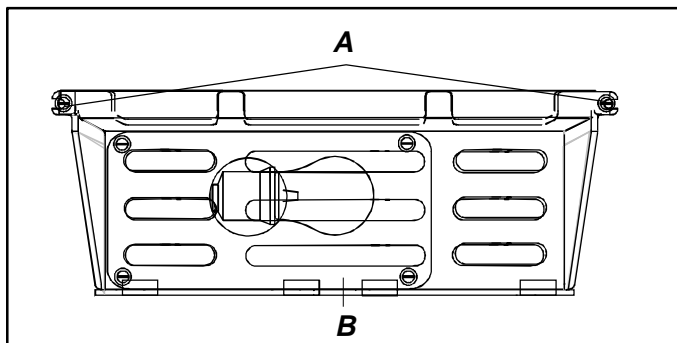
CAUTION

Observe the following to avoid personal injury or property damage.

- Allow light bulbs to cool
- Wear gloves when replacing light bulb.

Fresh Food Light

- Remove light bulb cover by removing $\frac{1}{4}$ " hex nut screws. Replace with appliance bulb **no greater than 60 watts**.
- Replace light bulb cover by replacing $\frac{1}{4}$ " hex nut screws.

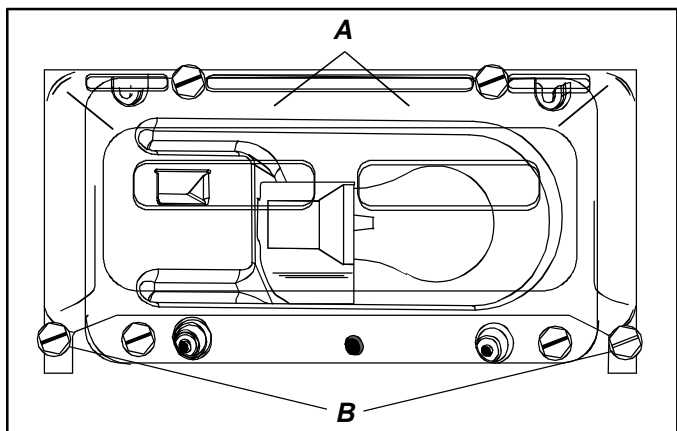


A $\frac{1}{4}$ " hex nut screws

B Light bulb cover

Freezer Light

- Remove light bulb cover by removing $\frac{1}{4}$ " hex nut screws. Replace with appliance bulb **no greater than 60 watts**.
- Replace light bulb cover by replacing $\frac{1}{4}$ " hex nut screws.



A Light bulb cover

B $\frac{1}{4}$ " hex nut screws

Complete the following steps for short vacations.

1. Remove perishable foods.
2. If an ice maker is installed, move ice maker arm to *Off* position. (See "Automatic Ice Maker" section page 12)

Complete the following steps for long vacations.

1. Empty refrigerator and freezer sections.
2. Unplug refrigerator.
3. Clean refrigerator and door gaskets according to General Cleaning instructions in "Care and Cleaning" section.
4. Prop doors open, so air can circulate inside.
5. If an ice maker is installed, turn off water supply to refrigerator and move ice maker arm to *Off* position. (See "Automatic Ice Maker" section page 12)

Energy Tips

This refrigerator is designed to be one of the most energy efficient refrigerators available. Reduce energy use by observing the following.

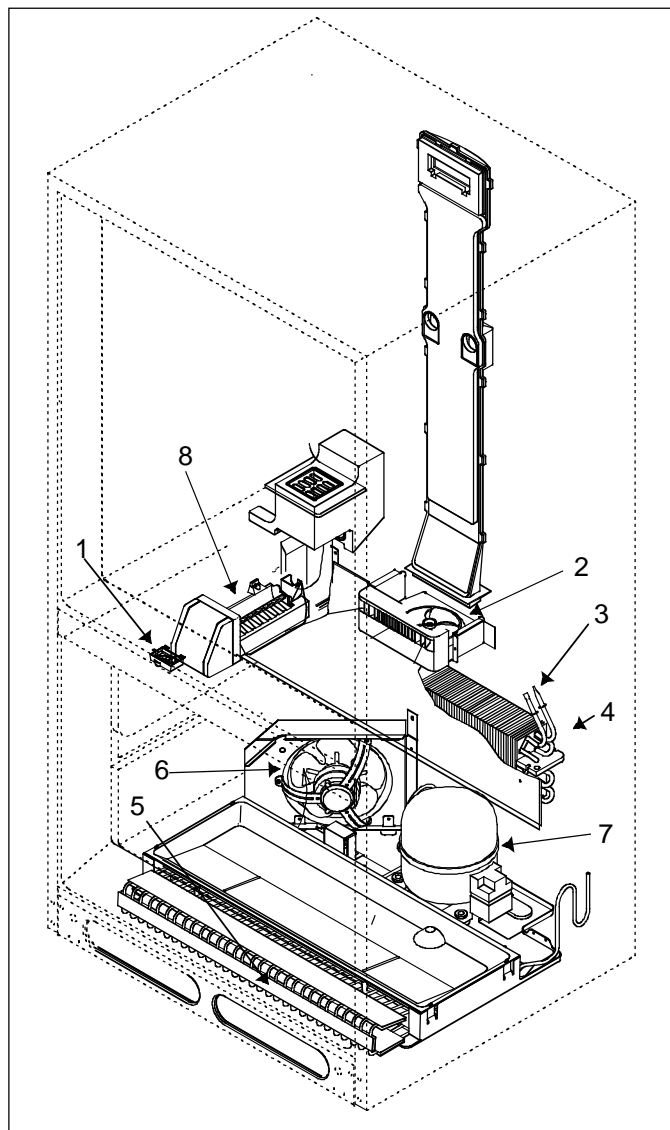
- Operate in normal household temperatures of 55° to 110°F (13° to 43°C) away from heat sources and direct sunlight.
- Set refrigerator, freezer, and temperature controlled meat drawer system controls no colder than necessary.
- Keep freezer section full.
- Keep door gaskets clean and pliable. Replace gaskets if worn.
- Keep condenser coils clean.

Normal Operating Sounds

This new refrigerator may be replacing a differently designed, less efficient or smaller refrigerator. Today's refrigerators have new features and are more energy efficient. As a result, certain sounds may be unfamiliar. These sounds are normal and will soon become familiar to you. They also indicate refrigerator is operating and performing as designed.

1. **Freezer control** clicks when starting or stopping compressor.
2. **Freezer fan** air rushes and whirs.
3. **Sealed system** (evaporator and heat exchanger) refrigerant flow gurgles, pops or sounds like boiling water.
4. **Defrost heater** sizzles, hisses or pops.
5. **Defrost timer** sounds like an electric clock and snaps in and out of defrost cycle.
6. **Condenser fan** air rushes and whirs.
7. **Compressor** has a high pitched hum or pulsating sound and cycles on and off.
8. **Ice cubes** from ice maker (some models) drop into ice bucket.
9. **Ice maker water valve hookup** (some models) buzzes when ice maker fills with water. This occurs whether or not refrigerator is connected to water supply. If refrigerator is not connected to water supply, stop sound by raising ice maker arm to *Off* position. Ice maker water valve hookup is located behind condenser fan in back of refrigerator.

Note: Foam insulation is very energy efficient and has excellent insulating capabilities. However, foam insulation is not as sound absorbent as previously used fiberglass insulation.



Before Calling For Service

Problem	Solution
Refrigerator does not operate.	<ul style="list-style-type: none"> • Make sure freezer control is on. • Make sure refrigerator is plugged in. If not, firmly plug the cord into a live outlet with proper voltage. • Check fuse or circuit breaker. Plug in another item at that wall outlet. If outlet does not work, replace the fuse or reset the circuit. • If freezer control is on, light works but 2 fans and compressor are not operating, refrigerator may be in defrost cycle. Wait 40 minutes to see if refrigerator restarts.
Refrigerator still will not operate.	<ul style="list-style-type: none"> • Unplug refrigerator. Transfer food to another refrigerator or place dry ice in freezer section to preserve food. Call for service.
Food temperature appears too warm.	<ul style="list-style-type: none"> • See above sections. • Allow time for recently added warm food to reach refrigerator or freezer temperature. Adding food warms the refrigerator. It can take a few hours for the refrigerator to return to normal temperature. • Check gaskets for proper seal. Gaskets should seal tightly to cabinet. • Clean condenser coils. See “Condenser Coils” instructions in “Care and Cleaning” section. • Adjust refrigerator and or freezer control. See “Setting Controls” instructions in “Controls” section. • Freezer or refrigerator light stays on. If light stays on, call service. • Return air vents behind crisper are blocked restricting airflow. Locate return air vent behind crispers and remove any debris that blocks vents or restricts airflow.
Chiller Fresh™ System temperature is too warm.	<ul style="list-style-type: none"> • Slide control to colder setting. • Adjust freezer control to colder setting. See “Setting Controls” instructions of “Controls” section. • Verify Chiller Fresh™ System cap has been moved if drawer has been moved from left to right side of cabinet. See “Chiller Fresh™ System” section.
Food temperature is too cold.	<ul style="list-style-type: none"> • Clean condenser coils. See “Condenser Coils” instructions in “Care and Cleaning” section. • Adjust refrigerator control. See “Setting Controls” instructions in “Controls” section. • Adjust freezer control to warmer setting. See “Setting Controls” instructions in “Controls” section. Allow several hours for temperature to adjust. • Verify plastic cap is in place near Chiller Fresh™ System. See “Chiller Fresh™ System” section.
Refrigerator runs too frequently.	<ul style="list-style-type: none"> • It may be normal to maintain constant temperature. • Doors have been opened frequently or for an extended period of time. When the door is opened warm humid air is allowed into the refrigerator. The more the door is opened the more warm air the refrigerator must cool. • Allow time for recently added warm food to reach refrigerator or freezer temperature. It can take a few hours for the refrigerator to return to normal temperature. • Clean condenser coils. See “Condenser Coils” instructions in “Care and Cleaning” section. • Adjust freezer control. See “Setting Controls” instructions in “Controls” section. • Check gaskets for proper seal. Gaskets should seal tightly to cabinet. • Freezer light stays on. If light stays on, call service • Make sure refrigerator is level. See “Leveling Refrigerator” section of Installation Instructions.

Problem	Solution
Water droplets form on inside of refrigerator.	<ul style="list-style-type: none"> • It is normal during high humidity periods or if doors have been opened frequently. • Wrap food tightly and wipe off damp containers prior to storing in the refrigerator to avoid moisture accumulation.
Water droplets form on outside of refrigerator.	<ul style="list-style-type: none"> • Check door seals for proper seal. Gaskets should seal tightly to cabinet. • It is normal during high humidity periods or if doors have been opened frequently.
Chiller Fresh™ System or crisper drawer does not close freely (some models).	<ul style="list-style-type: none"> • Check for a package that may prevent drawer from closing properly. • Confirm drawer is in proper position. • Clean drawer channels with warm, soapy water. Rinse and dry thoroughly. • Apply a thin layer of petroleum jelly to drawer channels. • Confirm refrigerator is level.
Refrigerator has an odor.	<ul style="list-style-type: none"> • See “Odor Removal” instructions in “Care and Cleaning” section.
Refrigerator makes unfamiliar sounds or seems too loud.	<ul style="list-style-type: none"> • It may be normal. See “Normal Operating Sounds” section.
Ice cubes have an odor.	<ul style="list-style-type: none"> • See “Odor Removal” instructions in “Care and Cleaning” section. • Ice maker was recently installed. Discard first few batches of ice to avoid discolored or off-flavored ice. • Food has not been wrapped tightly in either refrigerator or freezer compartment. Rewrap foods since odors may migrate to the ice if food is not wrapped properly. • Discard ice and clean ice bucket or trays more frequently. Ice cubes are porous and absorb odors easily. • Water supply contains minerals such as sulfur. In some situations a filter may need to be installed to eliminate taste and odor problems.
Ice cubes stick together or “shrink”.	<ul style="list-style-type: none"> • Empty ice cube bucket or trays more frequently. If used infrequently, ice cubes may stick together or shrink.
Ice maker is not producing ice.	<ul style="list-style-type: none"> • Water pressure may be too low or high. Ice maker requires a water pressure of 20-100 psi to function properly. • Confirm ice maker arm is down. See “Automatic Ice Maker” section. • Confirm household water supply is reaching water valve. Make sure the water valve shut off is fully turned on. • Confirm ice maker wiring harness is inserted completely in proper holes. • Check for kinks in copper or plastic tubing. Remove kinks or replace tubing. • Check electrical connections to water valve coil and connector block on refrigerator cabinet. • If a water filter has been installed on the water line outside the refrigerator, check the filter for clogs or improper installation of the filter.
Ice maker is not producing enough ice.	<ul style="list-style-type: none"> • Ice maker has just recently been installed or a large amount of ice has just been used. Wait 24 hours for ice production to begin and for ice maker to restock after emptied. • Confirm household water supply is reaching water valve. Make sure the water valve shut off is fully turned on. • Piercing type or $\frac{3}{16}$” saddle valve was used for hookup. Both reduce water flow and may become clogged with time. Replace these valves with correct type of saddle valve requiring $\frac{1}{4}$” hole to be drilled in water supply pipe prior to valve attachment. • Check for kinks in copper or plastic tubing. Remove kinks or replace tubing. • Confirm freezer section is operating at proper temperature. Freezer must be cold enough to produce ice. See “Setting Controls” section.
Ice forms in inlet tube to ice maker.	<ul style="list-style-type: none"> • Check water pressure. Low water pressure causes valves to leak.

Warranty

Full One Year Warranty Full Five Year Warranty on Sealed System Components and Food Compartment Liner

First Year

Amana Appliances will repair or replace, free of charge, any part which is defective due to workmanship or materials.

Second through Fifth Year

Amana Appliances will replace, free of charge, any sealed system component (compressor, condenser, evaporator and interconnecting tubing) and repair any food compartment liner (exclusive of door liner) which is defective due to workmanship or materials.

Warranty Limitations

- Begins at date of original purchase.
- Applies to product used within the United States or in Canada if product has Canadian Standards Association listing when shipped from the factory.
- Service must be performed by an authorized Amana technician.

Warranty Is Void If

- Serial plate is defaced.
- Product is used on a commercial, rental or leased basis.
- Product has defect or damage due to product accident, alteration, connection to an improper electrical supply, fire, flood, lightning, shipping and handling, or other conditions beyond the control of Amana.
- Product is improperly installed or used.

Owner's Responsibilities

- Provide proof of purchase (sales receipt).
- Provide normal care and maintenance. Replace owner replaceable items where directions appear in Owner's Manual.
- Make product reasonably accessible for service.
- Pay premium service costs for service outside technician's normal business hours.
- Pay for service calls related to product installation.

In no event shall Amana Appliances be liable for incidental or consequential damages including food loss*

*This warranty gives you specific legal rights and you may have others which vary from state to state. For example, some states do not allow the exclusion or limitation of incidental or consequential damages so this exclusion may not apply to you.

Contenido

Requerimientos eléctricos	19
Identificación del modelo	19
Servicio	19
Piezas y accesorios	20
Forma apropiada de desechar su refrigerador	20
Instrucciones para la instalación	20
Requerimientos de espacio	20
Para nivelar el refrigerador	20
Para invertir las puertas	21
Conexión para la línea de suministro de agua de la máquina de hielos (en algunos modelos)	22
Lista de verificación de la instalación	24
Controles	25
Controles del refrigerador y del congelador	25
Ajuste de los controles	25
Características del refrigerador	25
Repisas del refrigerador	25
Cajón ajustable para embutidos Deli Drawer™ (en algunos modelos)	26
Cajones de Garden Fresh™ (Crisper)	26
Cajón del sistema del Chiller Fresh™ (en algunos modelos)	26
Compartimiento para botellas (en algunos modelos)	27
Compartimiento cubierto para almacenamiento (en algunos modelos)	27
Compartimientos para productos lácteos (en algunos modelos)	27
Compartimientos de la puerta	28
Depósito para paquetes altos	28
Repisas de la puerta	28
Separador ajustable (en algunos modelos)	28
Portabotellas	28
Características del congelador	29
Sistema sin escarcha (Frost-Free)	29
Máquina de hielo automática	29
Rejilla para servicio de hielo	29
Repisa deslizable (en algunos modelos)	29
Separador vertical de repisa (en algunos modelos)	29
Repisa de alambre	30
Canasta de alambre	30
Depósito de hielo	30
Cuidado y limpieza	31
Limpieza general	31
Adhesivos	31
Empaques de la puerta	31
Serpentines del condensador	31
Repisas de vidrio	31
Eliminación de olores	31
Reemplazo de focos	32
Sugerencias para cuando sale de vacaciones	32
Sugerencias para conservar energía	32
Sonidos normales de funcionamiento	33
Antes de llamar para solicitar servicio	34
Garantía	37

Nota: La traducción algunas veces puede causar variaciones en el significado. En todos los casos cuando el significado varíe, el más preciso será el de la versión en inglés de este documento.



Reconozca este símbolo como precaución de seguridad.

Requerimientos eléctricos



ADVERTENCIA

Para evitar descargas eléctricas que pueden causar lesiones personales graves o la muerte, no corte ni elimine la punta redonda de conexión a tierra del enchufe. El refrigerador debe estar conectado a tierra en todo momento. No quite el rótulo de advertencia del cordón eléctrico.

No utilice un adaptador de dos puntas.

No utilice un cable de extensión.

Instrucciones para conexión a tierra — Este refrigerador está equipado con un enchufe de tres puntas (para conexión a tierra) para proveer protección contra posibles riesgos de descargas eléctricas. Si tiene un tomacorriente de dos orificios, comuníquese con un electricista calificado para que reemplace este tomacorriente de pared de dos orificios por otro de tres orificios correctamente conectado a tierra, en conformidad con el Código Eléctrico Nacional. Este refrigerador ha sido diseñado para que funcione con una línea separada de 103 a 126 voltios, 15 amperios y 60 ciclos.



Identificación del modelo

Gracias por haber comprado este refrigerador Amana®. Por favor lea todo el manual del propietario. Este manual proporciona información sobre el mantenimiento adecuado. Si tiene alguna pregunta, sírvase llamar al Departamento de asuntos del consumidor al 1-800-843-0304 dentro de los EE.UU. y al 1-319-622-5511 fuera de los EE.UU.

Llene la tarjeta de registro y envíela lo más pronto posible.

Si el refrigerador no incluye una tarjeta de registro, llame al Departamento de asuntos al consumidor.

Cuando se comunique con Amana®, proporcione la información del producto. Esta información se encuentra en la placa del número de serie, ubicada en la esquina izquierda superior del techo de la sección Alimentos frescos. Anote la siguiente información:

Número de modelo: _____

Número de fabricación: _____

Número de serie (S/N): _____

Fecha de adquisición: _____

Nombre y dirección del distribuidor: _____

Plan de servicio extendido Asure™

Amana ofrece un servicio de protección a largo plazo para esta nueva estufa. El Plan de servicio extendido Asure™ está diseñado especialmente para comple-

mentar la excelente garantía de Amana. Este plan cubre funcional piezas, mano de obra y gastos de transportación. Llame al 1-800-528-2682 para solicitar más información.

Piezas y accesorios

La compra de piezas de repuesto y accesorios adicionales (como: repisas de refrigerador,) se puede hacer por teléfono. Si desea pedir accesorios para su producto Amana llame al teléfono 1-800-843-0304 dentro de los EE.UU., o al 1-319-622-5511 fuera de los EE.UU.

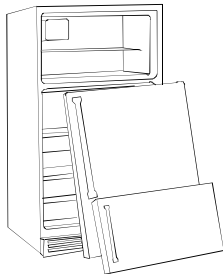
PELIGRO

Forma apropiada de desechar su refrigerador

IMPORTANTE: Los niños atrapados y asfixiados en refrigeradores no es cosa del pasado. Los refrigeradores que se arrumban o abandonan, aun cuando sea por "solo unos cuantos días", continúan siendo un peligro. Si desecha un refrigerador viejo, sírvase seguir las siguientes instrucciones para ayudar a prevenir un accidente.

ANTES DE TIRAR SU REFRIGERADOR O CONGELADOR VIEJO:

- **Quítele las puertas.**
- **Déjele las repisas puestas para que los niños no puedan meterse fácilmente.**



Instrucciones para la instalación

La instalación apropiada del refrigerador asegurará el funcionamiento más eficiente.

Requerimientos de espacio

ADVERTENCIA

Mantenga los materiales y los vapores inflamables, como gasolina, lejos del refrigerador. El no hacerlo puede causar como resultado la muerte, una explosión, un incendio o quemaduras.

- Para asegurar la ventilación apropiada del refrigerador, deje un espacio de 1" (2.5 cm) en la parte superior del refrigerador.
- Si su refrigerador tiene una máquina para hacer hielo, asegúrese de dejar espacio adicional en la parte

posterior para la conexión de la línea de agua. El refrigerador puede estar al ras con la pared posterior si no instala una máquina para hacer hielo.

- Si se instala el refrigerador junto a una pared fija, deje un espacio de $2\frac{1}{2}$ " (6.35 cm) en cada lado (dependiendo del modelo) para permitir que las puertas se abran 90°.

NOTA: No instale el refrigerador junto a un horno, radiador u otra fuente de calor, ni en un área donde la temperatura bajará a menos de 55° F (13° C).

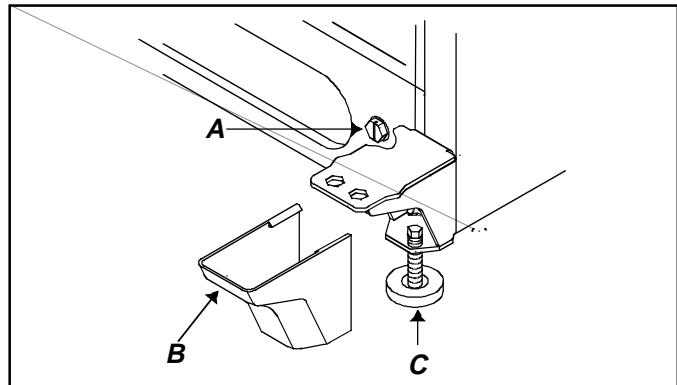
Para nivelar el refrigerador

PRECAUCIÓN

Proteja el piso vinílico suave o de otro tipo con cartones, alfombras u otros materiales protectores para evitar daños a la propiedad.

Algunas instalaciones pueden requerir que las puertas se tengan que invertir para que puedan abrirse completamente. Si es así, continúe con la sección "Para invertir las puertas" antes de nivelar el refrigerador. Si su refrigerador requiere que se conecte la máquina de hielo, continúe con la sección "Conexión para la línea de suministro de agua para la máquina de hielo" en la página 6 antes de nivelar el refrigerador.

1. Enchufe el cordón eléctrico.
2. Mueva el refrigerador a la ubicación final.
3. Nivele el refrigerador con un nivelador colocado encima del refrigerador.
 - Quite la parrilla inferior y la cubierta de la bisagra inferior si el refrigerador tiene una pata estabilizadora.
 - Gire los tornillos de ajuste de rodillo a la derecha para levantar el gabinete, o a la izquierda para bajarlo. El frente del refrigerador debe estar $\frac{1}{4}$ " (6 mm), ó $\frac{1}{2}$ burbuja del nivelador, más alto que la parte posterior del refrigerador.
 - Asegúrese de que el gabinete del refrigerador esté nivelado de lado a lado ajustando los tornillos de ajuste de rodillo izquierdo y derecho.
 - Gire la rosca estabilizadora (en algunos modelos) a la derecha hasta que quede firme contra el piso.



- A Tornillo de ajuste de rodillo delantero
B Cubierta de la bisagra inferior
C Pata estabilizadora (algunos modelos)

Para invertir las puertas

Algunas instalaciones podrían requerir la inversión de la puerta para que pueda abrirse completamente. Para invertir la dirección del giro de la puerta realice los pasos siguientes:

Herramientas necesarias

Espátula (la hoja cubierta con cinta adhesiva)

Desarmador hexagonal de tuercas de $\frac{5}{16}$ "

Desarmador hexagonal de tuercas de $\frac{3}{8}$ "

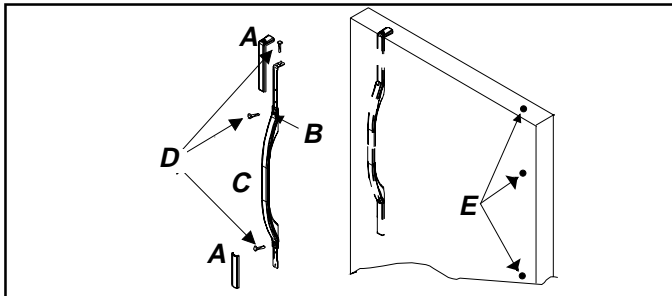
Desarmador hexagonal de tuercas de $\frac{1}{4}$ "

Desarmador Phillips

Desarmador plano

1. Quite el asa del refrigerador.

- Quite el tornillo del adorno del asa superior. Saque el borde del adorno del asa con una espátula con la hoja cubierta con cinta adhesiva. Retire el asa de la puerta quitando un tornillo de montaje que queda en cada extremo del asa.
- Quite un tapón del lado de la bisagra superior de la puerta y dos del lado de la bisagra delantera de la puerta. Vuelva a colocar los tres tapones en los orificios de montaje desocupados.



A Adorno del asa

B Placa

C Asa

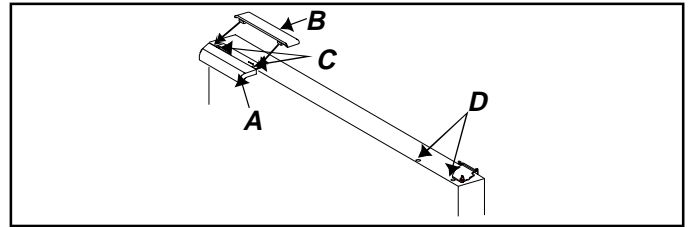
D Tornillos

E Tapones

IMPORTANTE: Cuando se necesita usar una espátula o un desarmador plano para quitar los tapones, **la hoja debe estar cubierta con cinta adhesiva para evitar dañar el acabado del refrigerador.** Para los tapones en que se use un desarmador o una cabeza tipo desarmador de tuercas, use la herramienta apropiada para evitar dañar los tapones.

2. Quite el asa de la puerta del congelador.

- Abra la puerta del congelador 90°. Encuentre dos mellas en la parte posterior del asa del congelador. Inserte el desarmador plano o la hoja de la espátula cubierta con cinta adhesiva. Saque la parte trasera de la tapa del asa y quítela del asa.
- Retire el asa de la puerta quitándole dos tornillos de montaje.
- Quite dos tapones del lado opuesto de la puerta del congelador y colóquelos en los orificios vacíos.



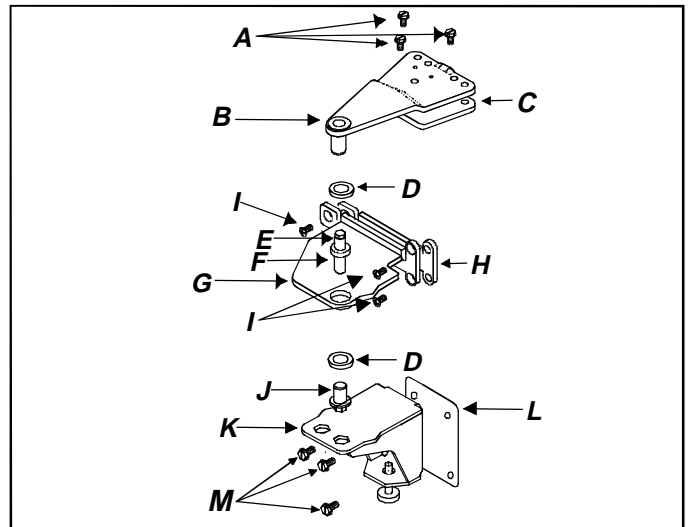
A Asa del congelador

B Tapa del asa

C Tornillos

D Tapón

3. Quite la cubierta de la bisagra superior. La cubierta de la bisagra superior se desprende. Quite la bisagra superior y la cuña de la bisagra con un desarmador hexagonal de tuercas. Quite y conserve todas las cuñas.
4. Quite la puerta del refrigerador levantándola para sacarla del pasador de la bisagra central. Inspeccione la puerta para verificar que todas las cuñas tengan el pasador de la bisagra.
5. Quite el pasador de la bisagra central con un desarmador de tuercas hexagonal. Como el pasador debe quedar bien ajustado, necesita presionarlo firmemente. Quitelo y conserve todas las cuñas.
6. Quite la puerta del congelador levantándola para sacarla de la bisagra inferior. Verifique que todas las cuñas tengan el pasador de la bisagra.
7. Quite el soporte de la bisagra central y las cuñas de la bisagra con un desarmador Phillips.
8. Quite la parrilla inferior y la cubierta de la bisagra inferior. Ambas se desprenden.
9. Quite la bisagra inferior y las cuñas de la bisagra con un desarmador hexagonal de tuercas.



A Tornillos de $\frac{5}{16}$ "

B Bisagra superior

C Cuñas de la bisagra

D Cuña redonda

E Tuerca hexagonal de $\frac{5}{16}$ "

F Pasador de la bisagra central

G Bisagra central

H Soporte de la bisagra central

I Tornillos Phillips

J Pasador de la bisagra inferior

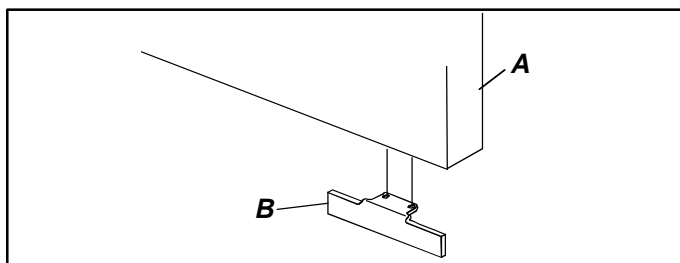
K Bisagra inferior

L Cuñas de la bisagra

M Tornillos de $\frac{3}{8}$ "

10. Invierta los topes de la puerta.

- Encuentre el tope de la puerta en el borde inferior de la puerta del refrigerador. Desatornille dos tornillos Phillips para quitar el tope de la puerta. Quite los dos tornillos Phillips en el borde opuesto de la puerta. Monte el tope en el lado opuesto. Vuelva a colocar los tornillos restantes en los orificios de montaje vacíos.
- Repita las instrucciones anteriores para invertir el tope de la puerta en la puerta del congelador.



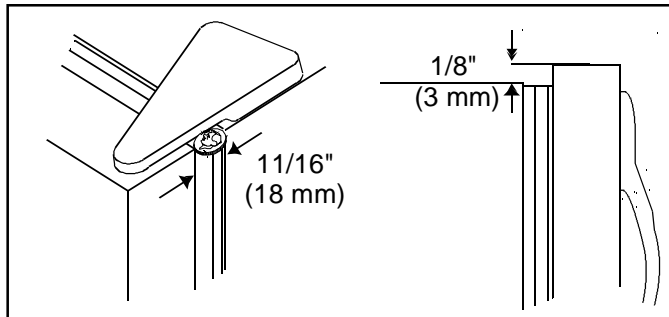
A Puerta B Tope de la puerta

11. Invierta las puertas desempeñando los pasos siguientes:

- Quite los tapones y los tornillos en el lado opuesto del gabinete del refrigerador. Insértelos en los orificios que quedaron al quitar la bisagra.

12. Monte las bisagras inferior, central y superior con las cuñas en el lado opuesto del gabinete.

- Vuelva a colocar la bisagra inferior en el lado opuesto del gabinete. Verifique que las cuñas de la bisagra estén en su lugar antes de atornillarlas. Después de colocar el pasador de la bisagra en el orificio exterior, vuelva a colocar las cuñas redondas. Algunas bisagras inferiores podrían tener tapones en los orificios. En este caso, quite el tapón del orificio exterior, coloque el pasador en el orificio, y coloque el tapón en el orificio vacío.
- Vuelva a colocar el soporte de la bisagra central y la cuña de la bisagra, y atorníllelo.
- Cuelgue la puerta del congelador.
- Vuelva a colocar el pasador de la bisagra central con un desarmador hexagonal de tuercas. Asegúrese que el ajuste quede firme. Vuelva a colocar las cuñas redondas.
- Vuelva a colocar la bisagra superior y las cuñas, pero deje espacio suficiente para deslizar el lado de la bisagra de la puerta del refrigerador en su lugar. Apriete la bisagra superior para que sostenga firmemente la puerta.
- Use una moneda pequeña encima para separar la puerta $11/16$ " (18mm) del gabinete.
- El lado del asa de la puerta debe estar aproximadamente a $1/8$ " (3 mm) más alto que el lado de la bisagra. **La puerta se nivelará cuando se cargue con alimentos.**



13. Monte el asa del refrigerador en el lado opuesto de la puerta con los tornillos de montaje que se quitaron en el paso anterior.

- Coloque el adorno del asa en su lugar y vuelva a colocar el tornillo.

14. Monte el asa del congelador en el lado opuesto de la puerta con los tornillos de montaje que se quitaron en el paso anterior.

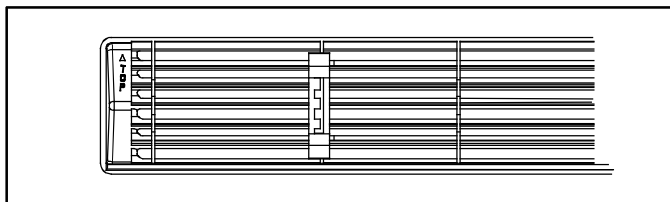
- Coloque en ángulo el borde delantero del asa hacia abajo en dirección al labio posterior del asa del congelador. Verifique que la lengüeta inferior en la tapa del congelador se deslice por debajo del labio posterior del asa del congelador. Coloque el borde posterior de la tapa del asa en su lugar.

15. Revise que la unidad esté apropiadamente nivelada siguiendo las instrucciones en la sección titulada *Nivelación del refrigerador*, comenzando en el paso 3.

16. Vuelva a colocar la parrilla inferior y la cubierta de la bisagra inferior.

Importante: Busque la flecha impresa en la parte interior de la parrilla para asegurarse de colocarla correctamente.

- **Coloque primero la porción superior en su lugar.** Oprima la parte inferior de la parrilla hasta que la porción inferior se acomode en su lugar.



Conexión para la línea de suministro de agua de la máquina de hielos (en algunos modelos)

⚠ PELIGRO

Desconecte la corriente eléctrica del refrigerador antes de quitar las puertas para evitar descargas eléctricas que pueden causar lesiones personales graves o la muerte. Después de volver a colocar las puertas, conecte la corriente eléctrica.

PRECAUCIÓN

Acate los puntos siguientes para evitar daños materiales:

- Compruebe que la presión del agua en la válvula de agua esté entre 20 y 100 libras por pulgada cuadrada.
- Apriete la conexión y las tuercas del adaptador con unas pinzas y con una llave de tuercas. No lo apriete de más.
- Revise si hay goteras de agua y arrégelas si es necesario antes de volver a colocar el refrigerador en su lugar. Después de 24 horas revise nuevamente si hay goteras.

Importante

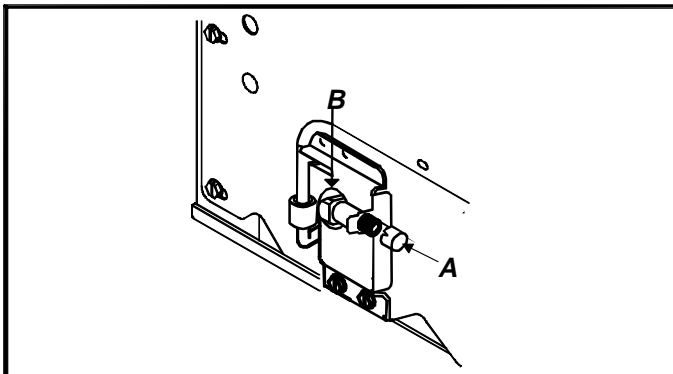
- Antes de conectar el suministro de agua, comuníquese con un plomero para que conecte la tubería de cobre a la plomería de la casa en conformidad con los códigos y reglamentos locales.
- **¡NO utilice válvulas de tipo de penetración o de silla de $\frac{3}{16}$ " (9 mm)! Ambas reducen el flujo del agua, con el tiempo se obstruyen y además pueden causar goteras si trata de repararlas. El tipo correcto de válvula de cierre requiere que se haga un orificio de $\frac{1}{4}$ " (6 mm) en la tubería del suministro de agua antes de conectar la válvula.**
- No coloque tuberías del suministro de agua en ubicaciones en donde la temperatura pueda bajar a menos de 32°F (0°C).

Materiales necesarios

Se requiere tubería de cobre flexible de $\frac{1}{4}$ " (6 mm) de D.E. La longitud de la tubería de cobre debe alcanzar desde la conexión del suministro de agua hasta la lumbrera de entrada de la válvula de agua. Se necesitan 8 pies (2 m) adicionales de tubería para un lazo de servicio. El lazo de servicio permitirá que el refrigerador se pueda separar de la pared sin desconectar la tubería.

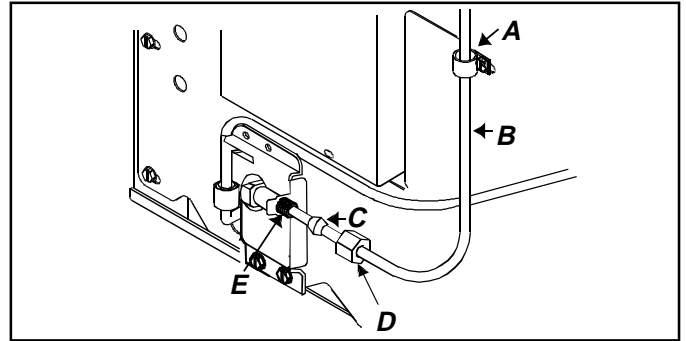
Procedimiento

1. Quite la tapa de plástico de la lumbrera de entrada de la válvula de agua.



A Tapa de plástico
B Lumbrera de entrada de la válvula de agua

2. Coloque la tuerca y la manga de bronce en la tubería de cobre. (La tuerca y la manga de bronce se encuentran en el paquete de literatura.) Introduzca la tubería de cobre en la lumbrera de entrada de la válvula de agua. Conecte la tuerca de bronce en la tubería de cobre en la lumbrera de entrada de la válvula de agua. Compruebe que la tubería de cobre esté bien segura tirando de ella ligeramente.



A abrazadera "P"
B Tubería de cobre
C Manga de bronce
D Tuerca de bronce
E Lubrera de entrada de la válvula de agua

3. Abra el suministro de agua que va al refrigerador y revise posibles goteras. Repare las goteras cuando lo conecte. Tenga cuidado de no apretar demasiado la conexión.
4. Haga un lazo de servicio con extremado cuidado para evitar dobleces. Asegure la tubería de cobre al gabinete del refrigerador con una abrazadera "P". Es importante asegurar el tubo de cobre al refrigerador para evitar goteras al empujar el refrigerador para volver colocarlo en el hueco.

Lista de verificación de la instalación

Esta lista de verificación sirve para llevar un registro personal exclusivamente.

Consumidor

Instalador

Puertas

Las asas están conectadas firmemente a las puertas.

El lado del refrigerador que tiene el asa está aproximadamente 1/8" (3 mm) más alto que el lado donde están las bisagras. (La puerta se baja cuando el refrigerador está lleno con alimentos.)

Las puertas se sellan completamente al gabinete del refrigerador.

Nivelación

El refrigerador está inclinado 1/4" (6 mm) de adelante hacia atrás.

La rejilla inferior está unida correctamente al refrigerador.

Máquina para hacer hielo

La línea de suministro de agua al refrigerador está abierta.

No hay goteras en la conexión entre la línea de suministro de la casa y el refrigerador. (24 horas más tarde el consumidor debe revisar la conexión para ver si existen goteras.)

El brazo de la máquina para hacer el hielo está en la posición para producir hielo. (La producción inicial de hielo puede tardar hasta 24 horas.)

Documentación del producto

El manual del propietario ha sido revisado incluyendo la siguiente información:

- tarjeta de registro del producto
- controles de las secciones Alimentos frescos y congelador
- sistema Chiller Fresh™
- cajón para verduras Garden Fresh™
- sonidos normales de funcionamiento

Notas

Firma del consumidor

Firma del instalador

Nombre/Número de teléfono
de la compañía instaladora

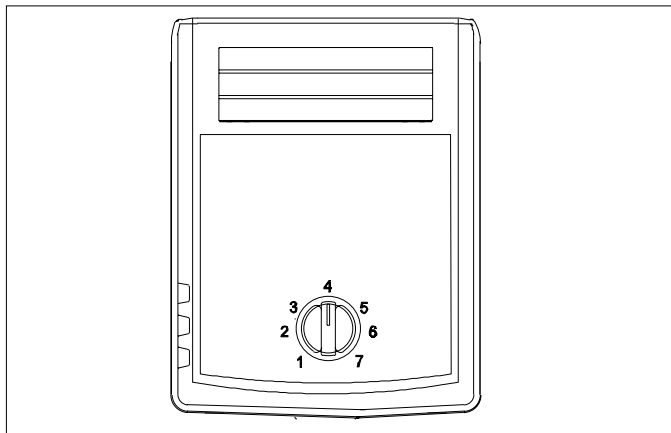
Fecha

Controles

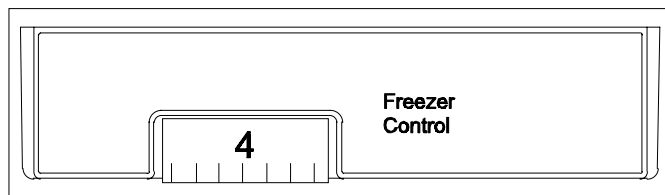
Este refrigerador funciona con mayor eficacia en temperaturas domésticas normales, entre 55° y 110° F (13° y 43° C).

Controles del refrigerador y del congelador

El control del refrigerador está localizado en la parte superior de la pared posterior de la sección del refrigerador.



El control del congelador está localizado en la parte delantera izquierda del techo de la sección del congelador.



Ajuste de los controles

Cuando el control del congelador está colocado en la posición *DESACTIVADA (OFF)*, ni la sección del refrigerador ni la del congelador se enfriarán. Inicialmente, coloque ambos controles en 4. Espere 24 horas para que las secciones del refrigerador y del congelador establezcan la temperatura. Después de 24 horas, ajuste los controles, un solo número a la vez, según se desee. El 1 es el menos frío y el 7 el más frío.

Ajuste con precisión los controles utilizando un termómetro común que abarque temperaturas entre -5° y 50° F (-21° y 10° C).

Coloque el termómetro ajustadamente entre paquetes en la sección del congelador y espere de 5 a 8 horas. Si la temperatura del congelador no se encuentra entre 0° y 2° F (-17° y -16° C), ajuste el control, 1 solo número a la vez. Revise nuevamente después de 5 a 8 horas.

Coloque el termómetro en un vaso de agua en medio de la sección del refrigerador y espere 5 a 8 horas. Si la temperatura del refrigerador no se encuentra entre 38° y 40° F (3° y 4° C), ajuste el control, 1 solo número a la vez. Revise nuevamente después de 5 a 8 horas.

Características del refrigerador

Repisas del refrigerador

Las repisas se ajustan para satisfacer las necesidades individuales de almacenamiento. Algunos modelos vienen con repisas Spillsaver™. Las repisas Spillsaver™ contienen los derrames menores para facilitar la limpieza. Las repisas EasyGlide™ se pueden jalar hacia adelante para sacar más fácilmente los artículos que están atrás.



PRECAUCIÓN

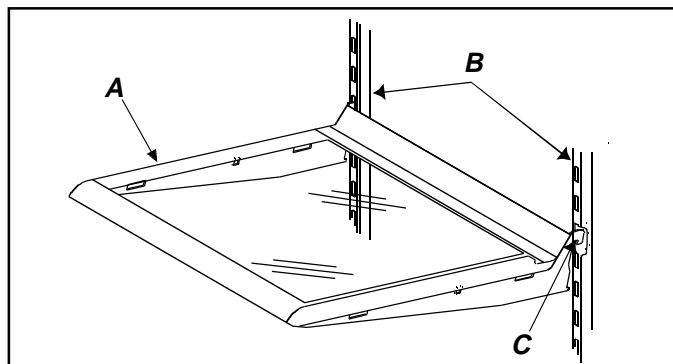
Asegúrese que la repisa esté bien instalada antes de volver a colocar artículos sobre ella para evitar daños materiales.



PRECAUCIÓN

Maneje con cuidado las repisas de vidrio templado para evitar lesiones personales o daños materiales. Las repisas se pueden romper súbitamente si tienen fracturas, rayaduras o se exponen a cambios repentinos de temperatura.

- Quite las repisas levantando la parte delantera y liberando los ganchos de la guía metálica, después jalándolas hacia afuera.
- Vuelva a colocar las repisas insertando los ganchos en la guía metálica y bajando la parte delantera.

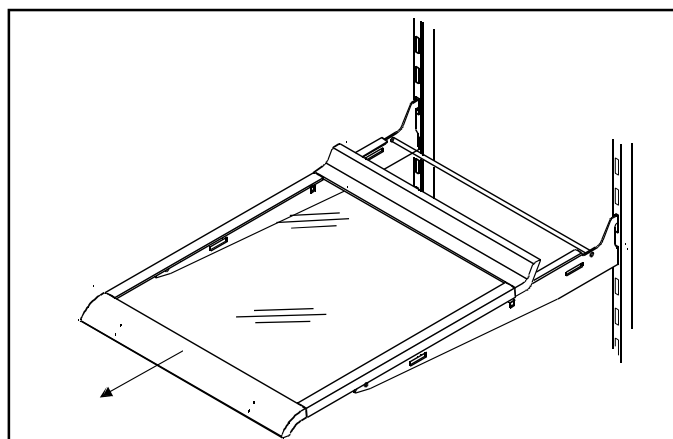


A Repisa

B Guía metálica

C Gancho

Las repisas deslizables se pueden deslizar hacia adelante para tener acceso fácil a los artículos de la parte posterior.



Cajón ajustable para embutidos Deli Drawer™ (en algunos modelos)

- Quite el cajón y la manga levantando y jalándolo. Consulte “Repisas Spillsaver™” que contienen derrames para ver las instrucciones para quitar y reemplazar la repisa.
- Coloque de nuevo el cajón deslizándolo hacia adentro.

Cajones de Garden Fresh™ (Crisper)

Los cajones de Garden Fresh™ conservan frescas las verduras por más tiempo. Envuelva las verduras firmemente. No lave las verduras antes de colocarlas en los cajones. El exceso de humedad podría causar que se echen a perder prematuramente. No forre los cajones de Garden Fresh™ con toallas de papel porque retienen la humedad.

El control Crisper está ubicado debajo del adorno de la repisa delantera. Deslice el control hacia *high (alta)* para productos que tienen hojas, como la lechuga, espinacas o repollo. Deslice el control hacia *low (baja)* para productos que tienen cáscara, como la coliflor, los elotes o los jitomates.

Quite las repisas y los cajones Crisper efectuando los pasos siguientes:

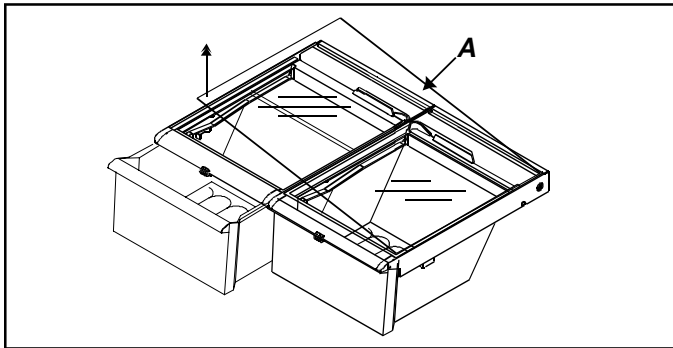
1. Abra el cajón izquierdo.
 - Para las puertas con las bisagras en el lado izquierdo, abra el cajón Crisper derecho.



PRECAUCIÓN

Maneje con cuidado las repisas de vidrio templado para evitar lesiones personales o daños materiales. Las repisas se pueden romper súbitamente si tienen fracturas, rayaduras o se exponen a cambios bruscos de temperatura.

2. Quite la cubierta de vidrio del cajón de Garden Fresh™ empujando suavemente hacia arriba desde abajo. Incline un extremo hacia arriba luego jálelo.



A Cubierta de vidrio del cajón Crisper del Garden Fresh™

3. Quite el cajón de Garden Fresh™ izquierdo levantando la parte delantera mientras lo sostiene por debajo y luego jalándolo. Para las puertas con las bisagras en el lado izquierdo, quite el cajón de Garden Fresh™ derecho.

4. Extraiga el poste de soporte del orificio en el centro de la parte inferior de la sección de alimentos frescos.
5. Quite el otro cajón para verduras deslizándolo hacia la pared opuesta. Levante por delante el cajón mientras lo sostiene por debajo y luego jálelo.
6. Vuelva a colocar los cajones para verduras y la repisa repitiendo los pasos del 2 al 5 en orden inverso.

El Cajón del sistema Chiller Fresh™ (en algunos modelos)

El cajón del sistema Chiller Fresh™ es un cajón dentro de un compartimento aislante. El aire del congelador circula entre el cajón y el compartimento aislante. Este sistema conserva frescos los alimentos por más tiempo y hasta 5° F (3° C) más fríos que la temperatura del refrigerador.

El control del cajón de Chiller Fresh™ se encuentra localizado debajo del adorno de la repisa delantera. El control ajusta la cantidad de aire que circula alrededor del cajón. Deslice el control hacia *COLD (frío)* para la temperatura normal del refrigerador y hacia *COLDER (más frío)* para la temperatura más fría. Es posible que se formen cristales de hielo en el cajón o en los alimentos en la posición *COLDER (más frío)*. El aire frío que entra al cajón del sistema Chiller Fresh™ puede disminuir la temperatura del refrigerador. Tal vez sea necesario ajustar el control del refrigerador para dar cabida al aire más frío.

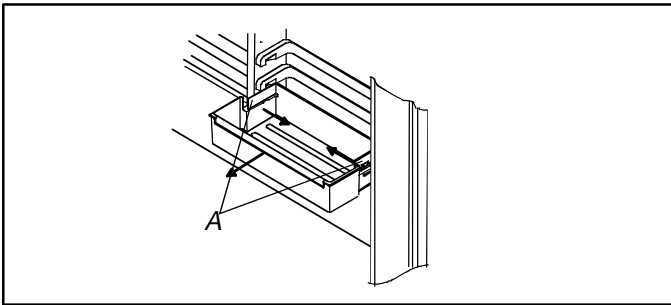
El cajón del sistema Chiller Fresh™ puede cambiarse lado izquierdo al lado derecho del compartimento del refrigerador para satisfacer las necesidades específicas de almacenamiento. Realice los siguientes pasos para cambiar de lugar el cajón.

1. Saque el cajón levantándolo y jalándolo hacia afuera. Quite la repisa levantando desde la parte delantera y liberando los ganchos de la guía metálica y luego jale hacia afuera.
2. Quite el tapón de plástico de la pared posterior de la sección del refrigerador, poniendo un cuchillo cubierto con cinta adhesiva masking por debajo del tapón y jalándolo hacia adelante.
3. Gire el manguito aislador 180° hacia el lado contrario.
4. Introduzca el tapón de plástico en el lado contrario de la sección Alimentos frescos. Verifique que el tapón esté bien colocado en su lugar. El aire frío puede hacer que se congelen los alimentos si no se vuelve a colocar el tapón.
5. Vuelva a colocar la repisa insertando los ganchos en la guía metálica y bajando la parte delantera. Use las ranuras 4 a 6 solamente.

Compartimientos de la puerta

Los compartimientos de la puerta se ajustan para satisfacer las necesidades individuales de almacenamiento.

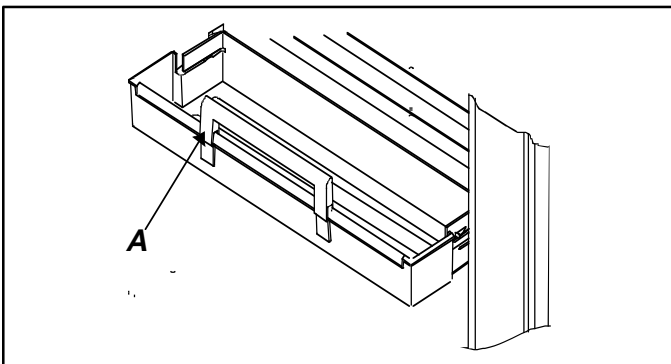
- Quite los compartimientos de la puerta empujando las lengüetas de los extremos de la repisa hacia el centro y jalando hacia afuera.
- Vuelva a poner los compartimientos de la puerta deslizándolos hasta que las lengüetas encajen en su sitio.



A Lengüetas

Depósito para paquetes altos

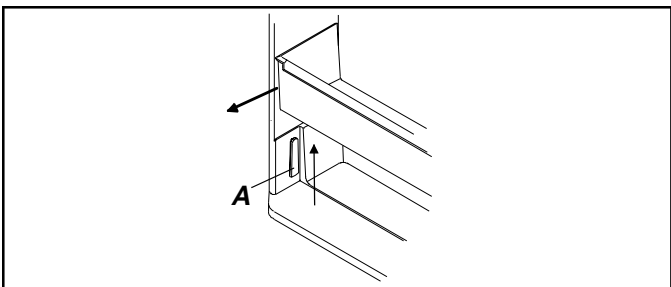
El depósito para paquetes altos mantiene seguros los paquetes altos. El sujetador cabe en el borde delantero de cualquier recipiente de la puerta del refrigerador o en cualquier repisa de la puerta del refrigerador.



A Depósito para paquetes altos

Repisas de la puerta

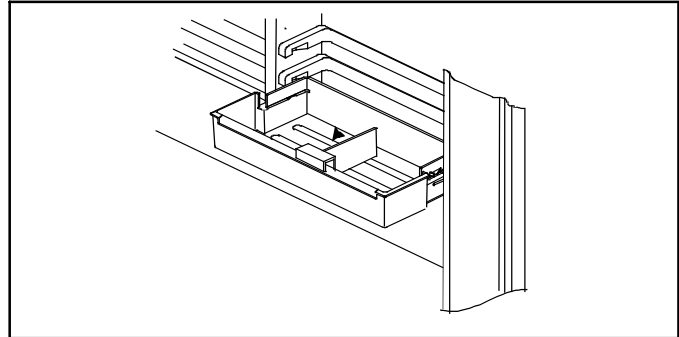
- Quite las repisas de la puerta levantando los extremos y jalando hacia afuera.
- Vuelva a colocar las repisas sobre las guías y deslice hacia abajo.



A Guía

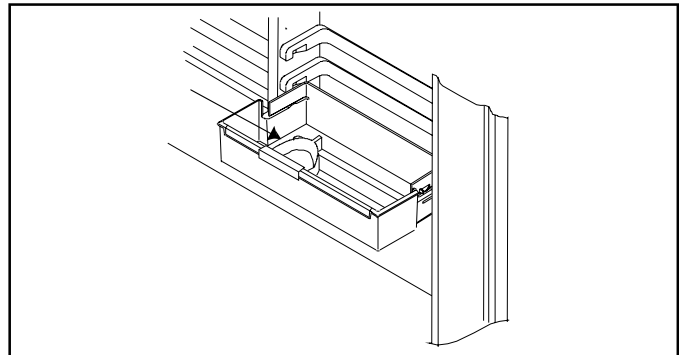
Separador ajustable (en algunos modelos)

El separador ajustable mantiene los artículos en su sitio y se ajusta para satisfacer las necesidades individuales de almacenamiento. El separador cabe en cualquier compartimiento o repisa de la puerta.



Portabotellas

El portabotellas mantiene los artículos en su sitio y se ajusta para satisfacer las necesidades individuales de almacenamiento. El portabotellas cabe en cualquier compartimiento o repisa de la puerta.



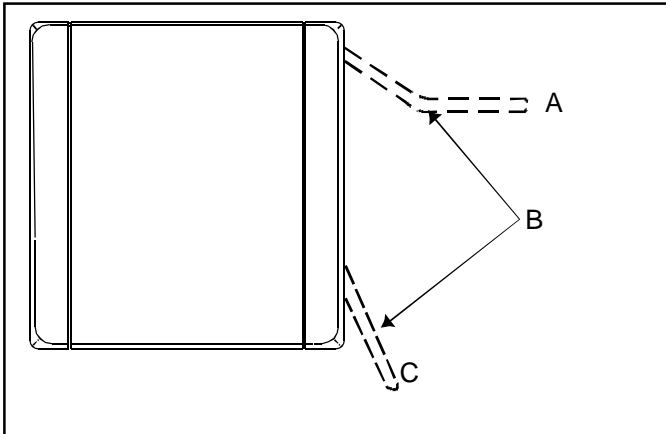
Características del congelador

Sistema sin escarcha (Frost-Free)

Las secciones del refrigerador y del congelador se mantienen completamente sin escarcha. La descongelación es automática bajo condiciones normales. Nunca se tiene que descongelar la sección del refrigerador ni la del congelador.

Máquina de hielo automática (en algunos modelos)

- Verifique que los recipientes para hielo estén en su sitio y que el brazo de la máquina de hielo esté hacia abajo.



A Posición "Off" (desactivada)
B Brazo de la máquina de hielo
C Posición "On" (activada)

- Después que la sección del congelador alcanza la temperatura normal, la máquina de hielo se llena de agua y comienza a funcionar. Espere de 24 a 48 horas después de instalarla para que los hielos estén listos. La máquina de hielo produce de 7 a 9 raciones de hielo durante 24 horas bajo condiciones ideales.
- Después de que se forma el hielo, la máquina deja caer los hielos adentro del recipiente de hielo. Mientras el hielo se está haciendo, el brazo de la máquina se levanta y se baja. Cuando el recipiente de hielo se llena, el brazo de la máquina la desconecta.

Nota: Deseche las tres primeras raciones de hielo para que no consumir ninguna impureza que quede en la línea de agua al instalarla.

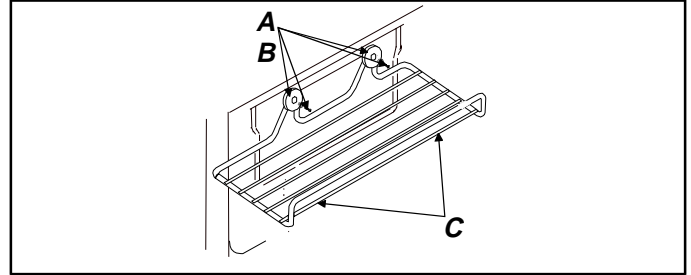
- Si desea detener la producción automática de hielo levante el brazo de la máquina. Se escucha claramente un chasquido cuando se coloca en la posición adecuada. El brazo de la máquina se quedará en esta posición hasta que se empuje hacia abajo.

Rejilla para servicio de hielo

Instale la rejilla para servicio de hielo realizando los pasos siguientes con un desarmador Phillips:

1. Afloje los tornillos y las arandelas que están en la pared lateral del congelador.
2. Coloque la rejilla para servicio de hielo en las arandelas y deslice hacia abajo.

3. Apriete los tornillos y las arandelas.



A Arandela
B Tornillo

C Rejilla para servicio de hielo

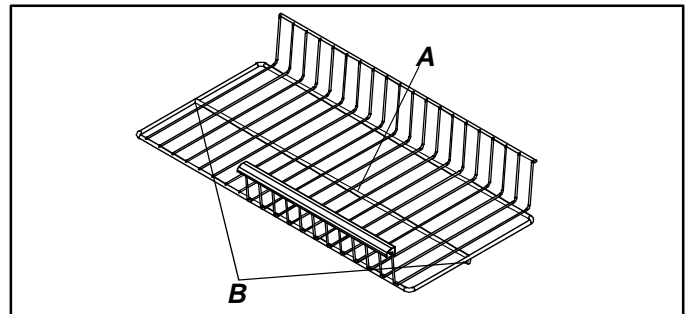
PRECAUCIÓN

Verifique que la repisa esté segura antes de colocar artículos en ella para evitar daños materiales.

Repisa deslizable (en algunos modelos)

Las repisas deslizables se pueden jalar hacia el frente para tener un acceso fácil a los artículos colocados en la parte posterior.

- Para quitar la repisa deslizable tire de ella hacia el frente hasta que la punta de bola debajo del riel central se acomode en el canal de la moldura. Sostenga la repisa por el riel central, jale hacia arriba y retírela.
- Deslícelo hacia adentro hasta que la punta de bola caiga en el canal de la moldura.



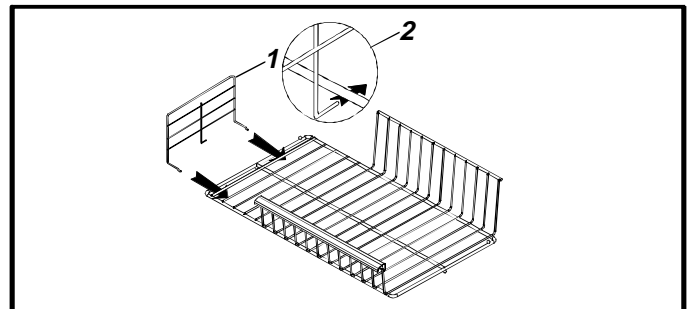
A Riel central

B Punta de bola

Separador vertical de repisa (en algunos modelos)

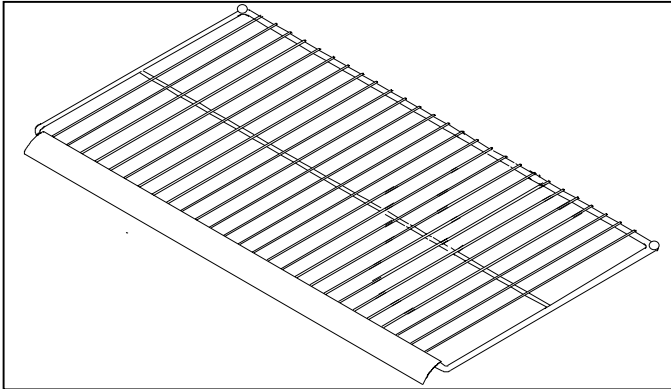
Instale el separador vertical de repisa siguiendo los pasos a continuación:

1. Deslice las puntas del separador de repisa debajo de la rejilla que se desee, ligeramente fuera de centro del riel central.
2. Oprima la parte superior del divisor y deslice el ensamble de gancho debajo del riel central.



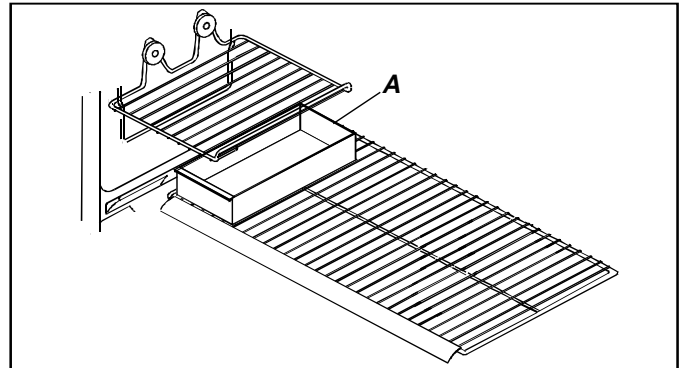
Repisa de alambre

- Quite la repisa de alambre jalándola hacia afuera. Se puede necesitar una sacudida fuerte.
- Vuelva a colocar la repisa de alambre deslizándola hasta que su parte posterior quede en su sitio.



Depósito de hielo

El depósito de hielo está sobre la repisa de alambre del congelador.

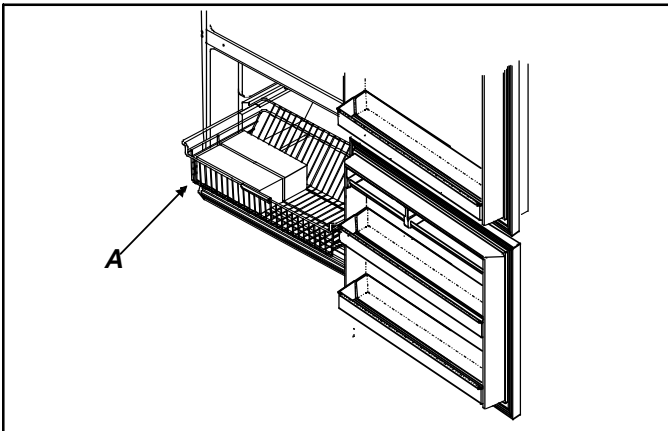


A Depósito de hielo

Canasta de alambre

La canasta de alambre se desliza hacia afuera para tener acceso fácil a los artículos que están en la parte posterior.

- Quite la canasta de alambre levantándola y jalándola hacia afuera.
- Vuelva a colocar la canasta de alambre deslizándola hacia adentro.



A Canasta de alambre

Cuidado y limpieza



ADVERTENCIA

Desconecte la corriente eléctrica al refrigerador antes de limpiarlo para evitar descargas eléctricas que pueden causar lesiones personales graves o la muerte. Después de limpiarlo, vuelva a conectar la corriente.



PRECAUCIÓN

Lea y siga todas las instrucciones del fabricante de los productos de limpieza para evitar lesiones personales o daños materiales.

Limpieza general

1. Lave las superficies con cuatro cucharadas de bicarbonato de sodio disuelto en un litro de agua tibia utilizando un trapo suave y limpio.
2. Enjuague las superficies con agua tibia. Seque las superficies con un trapo suave y limpio.
3. **NO UTILICE** los siguientes productos:
 - limpiadores abrasivos o ásperos tales como amoníaco, cloro, blanqueadores, etc.
 - detergentes o solventes concentrados
 - estropajos metálicosEstos productos pueden rayar, rajar y decolorar las superficies.
4. No lave las repisas, recipientes, etc. en una lavadora de platos automática.

Adhesivos

1. Elimine el residuo de goma de las superficies del refrigerador frotando un poco de pasta dental sobre el adhesivo hasta aflojarlo.
2. Enjuague la superficie con agua tibia. Seque la superficie con un trapo limpio y suave.

Empaques de la puerta

1. Limpie los empaques de la puerta cada 3 meses de acuerdo con las instrucciones de la sección "Limpieza general". Limpie los derrames inmediatamente.
2. Aplique una capa delgada de vaselina para mantener los empaques flexibles.

Serpentines del condensador

Limpie el serpentín del condensador por atrás de la parrilla cada tres meses para asegurar un funcionamiento óptimo del refrigerador. La acumulación de polvo y pelusa puede causar lo siguiente:

- menor rendimiento de enfriamiento
 - aumento del consumo de energía
 - falla prematura de las piezas
1. Quite la rejilla de la base sosteniendo los extremos y jalándola hacia afuera del refrigerador.
 2. Limpie la superficie delantera del serpentín con la boquilla de la manguera de una aspiradora.
 3. Vuelva a colocar la rejilla de la base insertando y encajando las presillas en los agujeros del gabinete.

4. Eleve la pata estabilizadora (en algunos modelos) girándola en sentido contrario al de las manecillas del reloj.



PRECAUCIÓN

Proteja los pisos suaves de vinilo o de otros tipos con cartones, alfombras o algún otro material protector para evitar daños materiales.

5. Jale el refrigerador para separarlo de la pared. Pase el cepillo de la aspiradora sobre la rejilla que está en la parte posterior del refrigerador.

Repisas de vidrio



PRECAUCIÓN

Maneje cuidadosamente las repisas de vidrio templado para evitar lesiones personales o daños materiales. Las repisas se pueden romper súbitamente si tienen fracturas, rayaduras o se exponen a cambios repentinos de temperatura.

Saque la repisa levantándola de la parte delantera, liberando los ganchos de los rieles metálicos, luego jalando la repisa hacia adelante. Colóquela sobre una toalla y permita que la repisa se adapte a la temperatura ambiental antes de limpiarla.

Limpie las hendiduras haciendo lo siguiente:

1. Diluya un detergente suave y aplíquelo en las hendiduras usando un cepillo con cerdas de plástico. Déjelo reposar durante cinco minutos.
2. Rocíe agua tibia en las hendiduras usando un aditamento para rociar agua desde el grifo.
3. Seque bien la repisa y vuelva a colocarla insertando los ganchos en los rieles metálicos y bajándola por la parte delantera.

Eliminación de olores

1. Saque todos los alimentos y desconecte la corriente eléctrica al refrigerador.
2. Limpie todas las superficies interiores incluyendo el techo, el piso y las paredes de acuerdo con las instrucciones de limpieza de la sección "Limpieza general". Preste atención especial a las esquinas, hendiduras y ranuras. Incluya todos los accesorios, cajones, repisas y empaques.
3. Conecte la corriente eléctrica al refrigerador y vuelva a colocar los alimentos en el refrigerador. Lave y seque todos los recipientes. Guarde todos los alimentos en recipientes sellados herméticamente para evitar malos olores adicionales. Después de 24 horas revise si se ha eliminado el olor.

Ejecute los pasos 4 al 9. Si no se ha eliminado el olor, siga los pasos siguientes.

4. Coloque los cajones para verduras en la repisa superior de la sección del refrigerador. Llene las secciones del refrigerador y del congelador, incluyendo las puertas, con hojas estrujadas de

periódico.

- Coloque pedazos de carbón en diferentes lugares del periódico.
- Cierre las puertas y deje reposar de 24 a 48 horas.
- Saque los pedazos de carbón y los periódicos.
- Ejecute los pasos 2 y 3.

Si aún no se ha eliminado el olor, comuníquese con el Departamento de asuntos del consumidor. Refiérase a la sección de Identificación del modelo para obtener el número telefónico.

Reemplazo de focos



ADVERTENCIA

Desconecte la corriente eléctrica al refrigerador antes de cambiar los focos para evitar descargas eléctricas que podrían causar lesiones graves o la muerte. Después de cambiar los focos, vuelva a conectar la corriente.



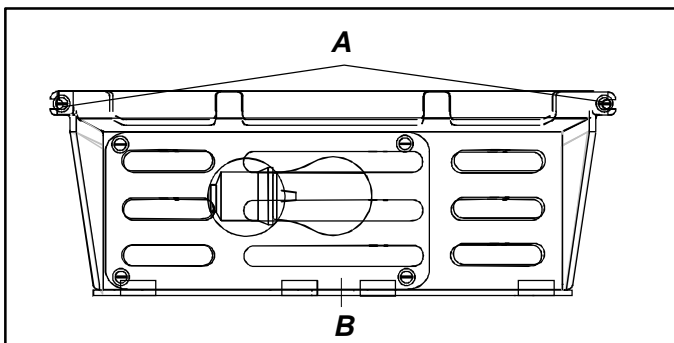
PRECAUCIÓN

Lleve a cabo lo siguiente para evitar lesiones personales o daños materiales.

- Permita que se enfríe el foco.
- Use guantes cuando reemplace el foco.

El Foco del Refrigerador

- Quite la tapa del foco extrayendo los tornillos hexagonales de ¼ de pulgada (6 mm). Reemplácelo con un foco para aparatos electrodomésticos de 60 vatios o menor.
- Vuelva a colocar la tapa del foco atornillando los tornillos hexagonales de ¼ de pulgada (6 mm).



A Tornillos hexagonales de 1/4 de pulgada(6mm)

B Cubierta del foco

El Foco del Congelador

- Quite la tapa del foco extrayendo los tornillos hexagonales de ¼ de pulgada (6 mm). Reemplácelo con un foco para aparatos electrodomésticos de 60 vatios o menor.
- Vuelva a colocar la tapa del foco atornillando los tornillos hexagonales de ¼ de pulgada (6 mm).

Sugerencias para cuando sale de vacaciones

Siga los pasos a continuación cuando tome unas vacaciones breves.

- Saque los alimentos que se puedan echar a perder.
- Si tiene instalada una máquina para hacer hielo, ponga el brazo de la máquina en posición desactivada (*off*). (Vea la sección "Máquina de hielo automática" en la página 31.)

Siga los pasos a continuación cuando tome vacaciones largas.

- Vacíe las secciones del refrigerador y del congelador.
- Desenchufe el refrigerador.
- Limpie el refrigerador y los empaques de las puertas de acuerdo con las instrucciones de "Limpieza general" en la sección "Cuidado y limpieza".
- Deje las puertas abiertas para que pueda circular el aire en el interior.
- Si tiene instalada una máquina para hacer hielo, cierre el suministro del agua al refrigerador y ponga el brazo de la máquina en posición desactivada (*off*). (Vea la sección "Máquina de hielo automática" en la página 31.)

Sugerencias para conservar energía

Este refrigerador ha sido diseñado para ser uno de los refrigeradores de mayor rendimiento de energía disponibles. Reduzca el consumo de energía llevando a cabo lo siguiente.

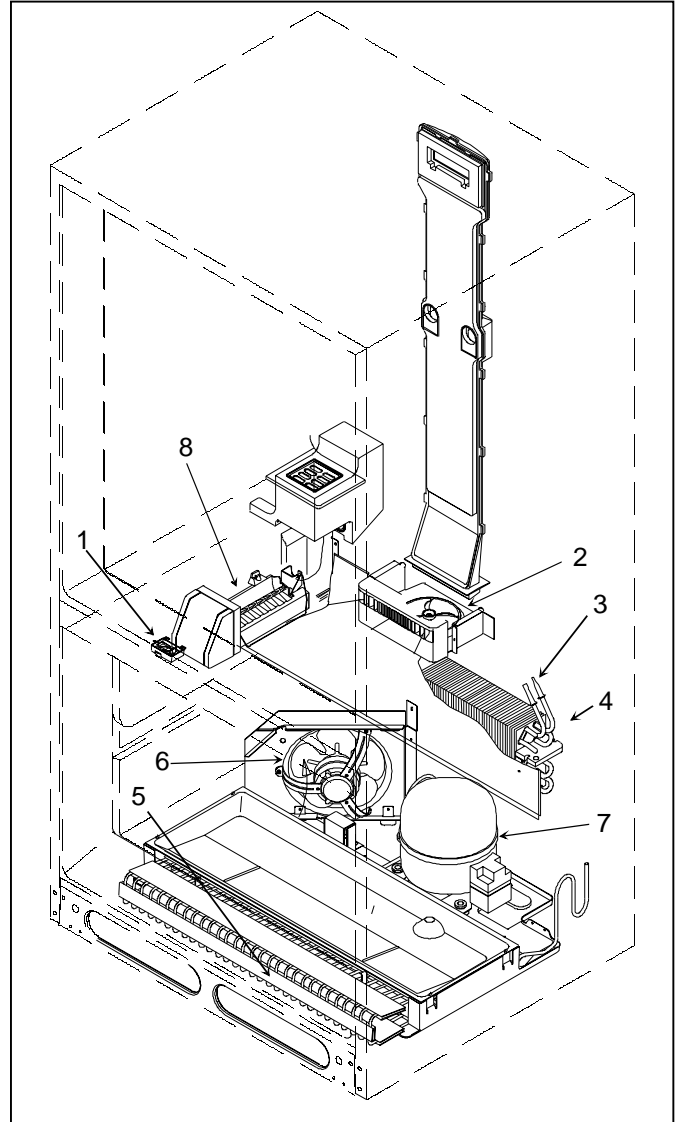
- Manténgalo funcionando a temperaturas normales entre 55° y 110° F (13° y 43° C) alejado de las fuentes de calor y de la luz directa del sol.
- Fije los controles del refrigerador, congelador y cajón de temperatura controlada para carne a una temperatura que no sea más fría de la necesaria.
- Mantenga llena la sección del congelador.
- Mantenga los empaques de la puerta limpios y flexibles. Cambie los empaques si están gastados.
- Mantenga limpios los serpentines del congelador.

Sonidos normales de funcionamiento

Es posible que este refrigerador nuevo esté reemplazando a uno de diferente diseño, menos eficiente o más pequeño. Los refrigeradores actuales tienen características nuevas y un mejor rendimiento de energía. Como resultado de esto, ciertos sonidos pueden parecer poco comunes. Estos sonidos son normales y pronto le serán familiares. Estos sonidos indican también que el refrigerador está funcionando y rindiendo según su diseño.

1. **Control del congelador.** Hace un clic al arrancar o detenerse el compresor.
2. **Ventilador del congelador.** El aire se acelera y zumba.
3. **Sistema sellado** (evaporador e intercambiador de calor). El flujo del refrigerante gorgojea, cruje o suena como agua hirviendo.
4. **Calentador de descarchado.** Hace chirridos, silba o cruje.
5. **Reloj automático de descarchado.** Suena como un reloj eléctrico cuando comienza y termina del ciclo de descarchado.
6. **Ventilador del condensador.** El aire se acelera y zumba.
7. **Compresor.** Tiene un sonido de alta frecuencia de tarareo o pulsante, y se enciende y apaga en ciclos.
8. **Cubos de hielo.** De la máquina para hacer hielo (en algunos modelos) caen al recipiente.
9. **Conexión de la válvula de agua de la máquina para hacer hielo** (en algunos modelos). Zumba cuando la máquina para hacer hielo se llena con agua. Esto ocurre independientemente de que el refrigerador esté o no esté conectado al suministro de agua. Si no está conectado, anule el ruido colocando el brazo de la máquina para hacer hielo en la posición desactivada (*off*). La conexión de la válvula de agua está ubicada atrás del ventilador del condensador en la parte posterior del refrigerador.

Nota: El aislamiento de espuma tiene muy buen rendimiento de energía y excelente capacidad aislante. Sin embargo, no absorbe el ruido tanto como el aislamiento de fibra de vidrio que se usaba anteriormente.



Antes de llamar para solicitar servicio

Problema	Solución
El refrigerador no funciona.	<ul style="list-style-type: none"> • Compruebe que el control del congelador esté activado. • Compruebe que el refrigerador esté enchufado. Si no lo está, enchufe firmemente el cordón en una tomacorriente del voltaje apropiado. • Revise el fusible o cortacircuitos. Enchufe otro artefacto en el mismo tomacorriente de pared y si no funciona, reemplace el fusible o reajuste el cortacircuitos. • Si el control del congelador está activado, si funcionan las luces pero los dos ventiladores y el compresor no funcionan, el refrigerador podría estar en el ciclo de descarchado. Espere 40 minutos para ver si vuelve a arrancar.
Aún no funciona el refrigerador.	<ul style="list-style-type: none"> • Desenchufe el refrigerador. Cambie los alimentos a otro refrigerador o ponga hielo seco en la sección del congelador para conservar los alimentos. Llame para solicitar servicio.
La temperatura de los alimentos parece estar demasiado tibia.	<ul style="list-style-type: none"> • Vea las secciones anteriores. • Deje que transcurra suficiente tiempo para que los alimentos tibios recientemente guardados alcancen la temperatura del refrigerador o del congelador. Al añadir alimentos se calienta el refrigerador y puede tomarle algunas horas volver a la temperatura normal. • Revise los empaques para ver si sellan correctamente. Los empaques deben sellar ajustadamente al gabinete. • Limpie los serpentines del condensador. Vea las instrucciones para el "Serpentines del condensador" en la sección "Cuidado y limpieza". • Ajuste el control del refrigerador o del congelador. Vea las instrucciones en "Ajuste de los controles" en la sección "Controles". • Las luces del congelador o refrigerador permanecen encendidas. Si la luz permanece encendida, llame para solicitar servicio. • Las rejillas de ventilación de aire de retorno que se encuentran detrás del cajón de frutas y verduras están bloqueadas y restringen el flujo de aire. Localice las rejillas de ventilación detrás del cajón de frutas y verduras y elimine la acumulación de polvo o suciedad que estén bloqueando las rejillas de ventilación u obstruyendo el flujo de aire.
La temperatura del cajón del sistema Chiller Fresh™ está muy tibia.	<ul style="list-style-type: none"> • Deslice el control a una posición más fría. • Ajuste el control del congelador a una temperatura más fría. Vea las instrucciones en "Ajuste de los controles" en la sección "Controles". • Compruebe haber cambiado de lugar la tapa del cajón del sistema de Chiller Fresh™ si ha cambiado el cajón del lado izquierdo al lado derecho del gabinete. Consulte la sección "El Cajón del sistema Chiller Fresh™".
La temperatura de los alimentos es demasiado fría.	<ul style="list-style-type: none"> • Ajuste el control del refrigerador. Vea las instrucciones en "Ajuste de los controles" en la sección "Controles". • Ajuste el control del congelador a una posición más tibia. Vea las instrucciones en "Ajuste de los controles" en la sección "Controles". Deje que pasen varias horas para que la temperatura se ajuste. • Compruebe que la tapa de plástico esté colocada en el lado opuesto del cajón de temperatura controlada para carnes. Consulte la sección "Cajón de temperatura controlada para carnes".

Antes de llamar para solicitar servicio

Problema	Solución
El refrigerador se acciona con demasiada frecuencia.	<ul style="list-style-type: none"> • Podría ser normal para mantener una temperatura constante. • Las puertas se han abierto frecuentemente o durante períodos prolongados de tiempo. Cuando se abre la puerta el aire tibio entra al refrigerador. Entre más se abre la puerta mayor es el aire tibio que el refrigerador tiene que enfriar. • Permita tiempo suficiente para que los alimentos tibios recientemente guardados alcancen la temperatura del refrigerador o del congelador. Puede tomar varias horas para que el refrigerador alcance otra vez la temperatura normal. • Limpie los serpentines del condensador. Vea las instrucciones de “Serpentines del condensador” en la sección “Cuidado y limpieza”. • Ajuste el control del congelador. Vea las instrucciones en “Ajuste de los controles” en la sección “Controles”. • Revise que los empaques sellen correctamente. Los empaques deben sellar ajustadamente al gabinete. • La luz del congelador permanece encendida. Si la luz permanece encendida, llame para solicitar servicio. • Cerciórese de que el refrigerador esté nivelado. Consulte la sección “Nivelación del refrigerador” en las instrucciones de instalación.
Se forman gotas de agua dentro del refrigerador.	<ul style="list-style-type: none"> • Es normal durante períodos de alta humedad o si se abren las puertas con mucha frecuencia. • Envuelva bien los alimentos y seque los recipientes húmedos antes de guardarlos en el refrigerador para evitar la acumulación de humedad.
Se forman gotas de agua fuera del refrigerador.	<ul style="list-style-type: none"> • Revise los empaques de la puerta para ver si sellan correctamente. Los empaques deben sellar ajustadamente al gabinete. • Es normal durante períodos de alta humedad o si se abren las puertas con mucha frecuencia.
Los cajones del sistema de Chiller Fresh™ o para Garden Fresh™ no cierran con facilidad (en algunos modelos).	<ul style="list-style-type: none"> • Revise si hay un paquete que impida que cierre bien el cajón. • Compruebe que el cajón esté en la posición correcta. • Limpie los canales del cajón con agua tibia y jabonosa. Enjuague y seque bien. • Aplique una capa delgada de vaselina a los canales del cajón. • Compruebe que el refrigerador esté nivelado.
El refrigerador tiene mal olor.	<ul style="list-style-type: none"> • Consulte las instrucciones para la “Eliminación de olores” en la sección de “Cuidado y limpieza”.
El refrigerador hace sonidos poco comunes o que parecen demasiado altos.	<ul style="list-style-type: none"> • Podría ser normal. Consulte la sección de “sonidos normales del funcionamiento”.

Antes de llamar para solicitar servicio

Problema	Solución
Los cubos de hielo tienen mal olor.	<ul style="list-style-type: none"> • Consulte las instrucciones para la “Eliminación de olores” en la sección de “Cuidado y limpieza”. • La máquina para hacer hielo se instaló recientemente. Deseche varios lotes de hielo para evitar hielos descoloridos o con mal sabor. • Hay alimentos que no están bien sellados en el compartimiento del refrigerador o del congelador. Vuelva a envolver los alimentos ya que los olores pueden impregnar el hielo si los alimentos no están apropiadamente envueltos. • Deseche el hielo y lave el recipiente o las bandejas más frecuentemente. Los cubos de hielo son porosos y absorben fácilmente los olores. • El suministro de agua contiene minerales tales como sulfuro. En algunos casos se necesita instalar un filtro para eliminar los problemas con el sabor y con el olor.
Los cubos de hielo se pegan o se “encogen”.	<ul style="list-style-type: none"> • Vacíe el recipiente o las bandejas para hielo con más frecuencia. Si se usan con poca frecuencia, los cubos pueden pegarse o encogerse.
La máquina de hielo no está haciendo hielo.	<ul style="list-style-type: none"> • Compruebe que los alambres del arnés de la máquina de hielo están completamente dentro de los orificios apropiados. • Revise para ver si hay torceduras en las tuberías de cobre o de plástico. Elimine las torceduras o reemplace la tubería. • Revise las conexiones eléctricas al serpentín de la válvula del agua y el bloc conector en el gabinete del refrigerador. • Si se instaló un filtro de agua en la línea de agua afuera del refrigerador, revise el filtro para ver si hay obstrucciones o si fue instalado incorrectamente.
La máquina de hielo no produce suficiente hielo.	<ul style="list-style-type: none"> • La máquina de hielo se instaló recientemente o se usó recientemente una cantidad grande de hielo. Espere 24 horas para que la producción de hielo comience y para que la máquina de hielo se surta después de ser vaciada. • Compruebe que el suministro de agua llega a la válvula de agua. Asegúrese que la llave de la válvula de agua esté completamente abierta. • Se usó una válvula de tipo de penetración o de silla de $\frac{3}{16}$" para la conexión. Ambas reducen el flujo de agua y pueden obstruirse con el tiempo. Reemplace estas válvulas con el tipo correcto de válvula de silla que requiere que se haga un orificio de $\frac{1}{4}$" en la tubería de suministro de agua antes de conectar la válvula. • Revise para ver si hay torceduras en las tuberías de cobre o de plástico. Elimine las torceduras o reemplace la tubería. • Compruebe que la sección del congelador está funcionando a la temperatura apropiada. El congelador debe estar lo suficientemente frío para producir hielo. Vea la sección de “Ajuste de los controles”.
Se forma hielo en el tubo de entrada de la máquina de hielo.	<ul style="list-style-type: none"> • Revise la presión del agua. La presión de agua baja causa que la válvula gotee.

Garantía completa de un año Garantía completa de cinco años en los componentes del sistema sellado y en el revestimiento del compartimiento de los alimentos

Primer año

Amana Appliances reparará o reemplazará sin cargo alguno, cualquier pieza que esté defectuosa debido a la mano de obra o a los materiales.

Del segundo al quinto año

Amana Appliances reemplazará, sin cargo alguno, cualquier componente del sistema sellado (compresor, condensador, evaporador y la tubería de interconexión) y reparará cualquier revestimiento del compartimiento de los alimentos (excluyendo el revestimiento de la puerta) que esté defectuoso debido a la mano de obra o a los materiales.

Limitaciones de la garantía

- Comienza a partir de la fecha de la compra original.
- Se aplica a productos que se van a usar dentro de los Estados Unidos o en Canadá, si el producto viene de la fábrica con la aprobación de la Asociación de Normas Canadienses.
- El servicio debe realizarlo un técnico de Amana® **autorizado**.

La garantía se anulará si:

- La placa del número de serie está borrosa o ilegible.
- Se le ha dado uso comercial al producto, se ha rentado o alquilado.
- El producto tiene algún defecto o daño debido a un accidente, alteración, conexión eléctrica incorrecta, incendio, inundación, relámpagos, envío o manejo del producto, u otras condiciones fuera del control de Amana Refrigeration, Inc.
- El producto ha sido instalado o usado incorrectamente.

Responsabilidades del propietario

- Proporcionar evidencia de compra (recibo).
- Proporcionar cuidado y mantenimiento normales. Reemplazar los artículos reemplazables por el propietario de acuerdo con las instrucciones que aparecen en el Manual del propietario.
- Permitir que el producto sea razonablemente accesible por el personal de servicio.
- Pagar una compensación de los gastos de servicio por los servicios prestados por el técnico fuera de su horario habitual de trabajo.
- Pagar por las llamadas para solicitar servicio relacionado con la instalación del producto.

En ningún caso Amana Appliances se hará responsable de daños incidentales o emergentes, incluyendo la pérdida de alimentos*

*Esta garantía otorga derechos legales específicos y puede ser que existan otros derechos que difieren de un estado a otro. Por ejemplo, algunos estados no permiten la exclusión o limitación de los daños incidentales o emergentes, por lo tanto, es posible que esta exclusión no le afecte a usted.

