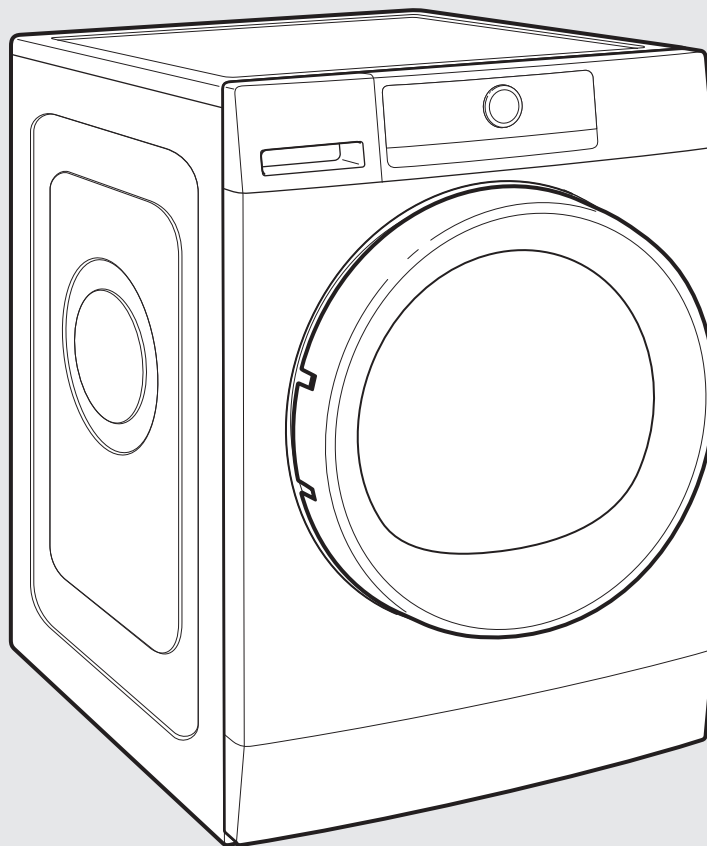




Use & Care Guide Guide d'utilisation et d'entretien

Front-Loading Automatic Washer Laveuse automatique à chargement frontal



Para obtener acceso al Manual de uso y cuidado en español, o para obtener información adicional acerca de su producto, visite: www.whirlpool.com

If you have any problems or questions, visit us at www.whirlpool.com.
Pour tout problème ou toute question, consulter www.whirlpool.ca.

W11330506B
W11330507B - SP



Designed to use only HE High Efficiency detergents.
Conçue pour l'utilisation d'un détergent haute efficacité seulement.

Table of Contents

| | |
|--|-------------------|
| WASHER SAFETY | 2 |
| OPERATING INSTRUCTIONS | 3 |
| Accessories | 3 |
| Control panel and features | 4 |
| Program/cycle guide | 6 |
| Choosing the right detergent | 8 |
| Using the dispenser drawer | 8 |
| Using your washer | 9 |
| Washer maintenance | 13 |
| INSTALLATION INSTRUCTIONS | 17 |
| Installation requirements | 17 |
| Location requirements | 18 |
| Drain system | 19 |
| Electrical requirements | 20 |
| Installation instructions | 20 |
| Route drain hose | 21 |
| Connect inlet hose | 22 |
| Level washer | 23 |
| Complete installation checklist | 24 |
| TROUBLESHOOTING | 25 |
| WARRANTY | 35 |
| ASSISTANCE OR SERVICE | Back Cover |

Table des matières

| | |
|---|---------------------------|
| SÉCURITÉ DE LA LAVEUSE | 36 |
| INSTRUCTIONS D'UTILISATION | 37 |
| Accessoires | 37 |
| Tableau de commande et caractéristiques | 38 |
| Guide de programmes | 40 |
| Choix du détergent approprié | 42 |
| Utilisation du tiroir distributeur | 42 |
| Utilisation de la laveuse | 43 |
| Entretien de la laveuse | 47 |
| INSTRUCTIONS D'INSTALLATION | 51 |
| Exigences d'installation | 51 |
| Exigences d'emplacement | 52 |
| Système de vidange | 53 |
| Spécifications électriques | 54 |
| Instructions d'installation | 55 |
| Acheminer le tuyau d'évacuation | 56 |
| Raccorder la tuyau d'arrivée | 56 |
| Réglage de l'aplomb de la laveuse | 57 |
| Liste de vérification pour installation terminée | 58 |
| DÉPANNAGE | 59 |
| GARANTIE | 70 |
| ASSISTANCE OU SERVICE | Couverture arrière |

WASHER SAFETY

Your safety and the safety of others are very important.

We have provided many important safety messages in this manual and on your appliance. Always read and obey all safety messages.



This is the safety alert symbol.

This symbol alerts you to potential hazards that can kill or hurt you and others.

All safety messages will follow the safety alert symbol and either the word "DANGER" or "WARNING." These words mean:

! DANGER

You can be killed or seriously injured if you don't immediately follow instructions.

! WARNING

You can be killed or seriously injured if you don't follow instructions.

All safety messages will tell you what the potential hazard is, tell you how to reduce the chance of injury, and tell you what can happen if the instructions are not followed.

IMPORTANT SAFETY INSTRUCTIONS

WARNING: To reduce the risk of fire, electric shock, or injury to persons when using the washer, follow basic precautions, including the following:

- Read all instructions before using the washer.
- Do not wash articles that have been previously cleaned in, washed in, soaked in, or spotted with gasoline, dry-cleaning solvents, other flammable, or explosive substances as they give off vapors that could ignite or explode.
- Do not add gasoline, dry-cleaning solvents, or other flammable, or explosive substances to the wash water. These substances give off vapors that could ignite or explode.
- Under certain conditions, hydrogen gas may be produced in a hot water system that has not been used for 2 weeks or more. **HYDROGEN GAS IS EXPLOSIVE.** If the hot water system has not been used for such a period, before using the washing machine, turn on all hot water faucets and let the water flow from each for several minutes. This will release any accumulated hydrogen gas. As the gas is flammable, do not smoke or use an open flame during this time.
- Do not allow children to play on or in the washer. Close supervision of children is necessary when the washer is used near children.
- Before the washer is removed from service or discarded, remove the door or lid.
- Do not reach into the washer if the drum, tub or agitator is moving.
- Do not install or store the washer where it will be exposed to the weather.
- Do not tamper with controls.
- Do not repair or replace any part of the washer or attempt any servicing unless specifically recommended in this manual or in published user-repair instructions that you understand and have the skills to carry out.
- See "Electrical Requirements" located in the installation instructions for grounding instructions.

SAVE THESE INSTRUCTIONS

OPERATING INSTRUCTIONS

Accessories

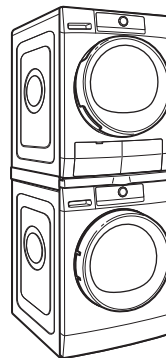
INSTALLATION & MAINTENANCE ACCESSORIES

FACTORY CERTIFIED PARTS – these three words represent quality parts and accessories designed specifically for your appliance. Time tested engineering that meets our strict quality specifications.

FACTORY CERTIFIED PARTS

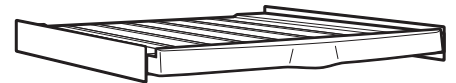
Accessories designed for your appliance:

Customize your new washer and dryer with the following genuine Whirlpool accessories. For more information on options and ordering, call **1-866-698-2538** or visit us at: **www.whirlpool.com/accessories**. In Canada, call **1-800-688-2002** or visit us at **www.whirlpool.ca**.



Stack Kit

If space is at a premium, the stack kit allows the dryer to be installed on top of the washer.

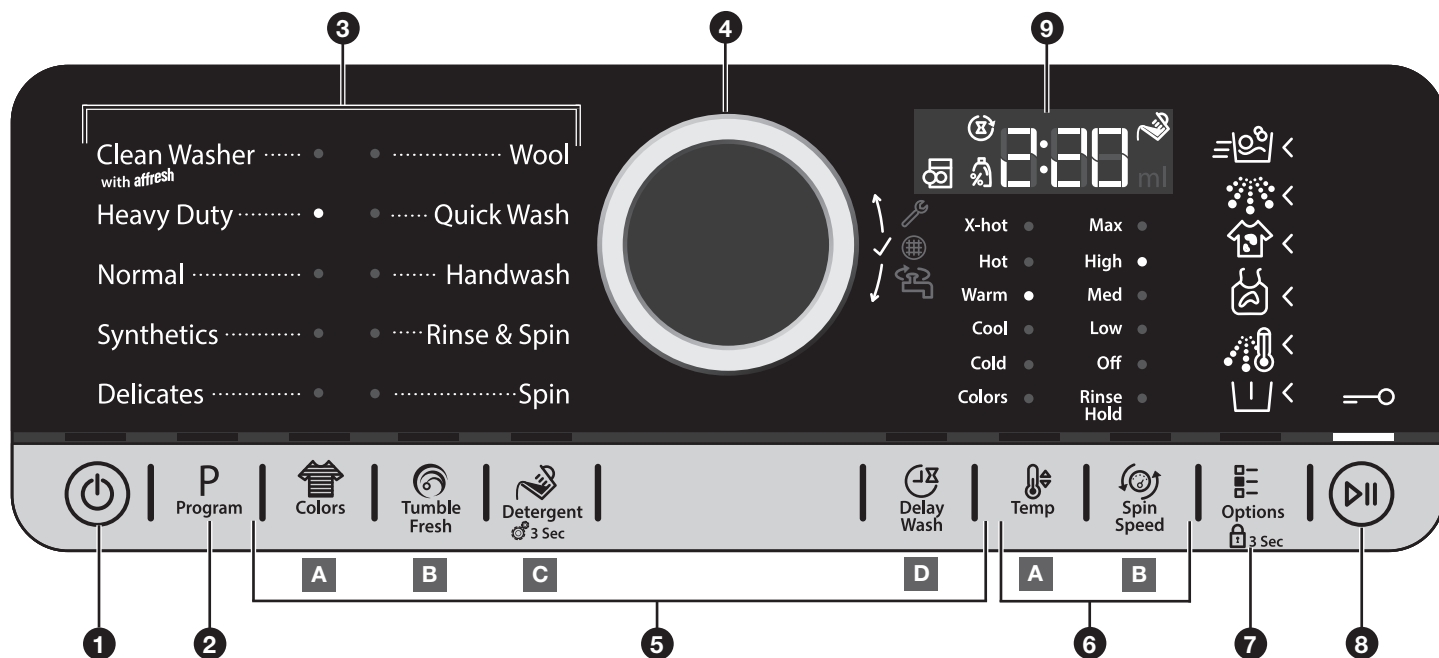


12" Pedestal

Color-matched pedestals raise the washer and dryer to a more comfortable working height.



Control Panel and Features



1 POWER BUTTON

Touch and hold until the indicator above the Program button lights up. The indicators above all the buttons will scroll from left to right as the washer turns on. Symbols appear on the control panel and sounds are played.

Touch and hold POWER to cancel a cycle. “rES” is displayed when the cycle is cancelled.

2 PROGRAM (cycle)

When you turn on the washer, the light above this button will turn on. This indicates you can now select your program or cycle. The program settings which you used last will appear on the control panel.

3 PROGRAM/CYCLE AREA

An indicator next to each program/cycle lights up as you use the knob to scroll through the list. Press the knob when the indicator next to the desired program/cycle lights up.

4 CONTROL KNOB

Turn the knob to select a program/cycle for your laundry load, change program/cycle temperature, adjust spin speed, set delay start time or dosing values, or select Other Options. Press the knob to confirm your selection.

5 OPTIONS

Touch to select additional wash options or additional features on the washer before touching the Start/Pause button. Additional wash options or additional features selected after touching the Start/Pause button may not be activated.

To return to factory default cycle settings, unplug the washer for 30 seconds, then plug back in.

A Colors

This option helps to preserve the colors of your laundry by washing them with cold water 59°F (15°C). Suitable for lightly soiled colored laundry without stains.

B TumbleFresh™ Option

The TumbleFresh™ option will periodically tumble the load after the end of the cycle every 3 minutes for 7 seconds, for up to 6 hours. To turn on the TumbleFresh™ option, touch the TUMBLEFRESH button. If, however,

the TumbleFresh™ option is turned on, it will stay on for all future cycles until turned back off – the washer remembers the last on/off status set. To turn off the TumbleFresh™ option, touch the TUMBLEFRESH button.

C Detergent Dosing Aid

This option helps to determine the correct amount of detergent for your laundry load. The concentration of detergents varies considerably, so adjust the amount of detergent as needed. Also check if the washer’s preset water hardness level matches your local water hardness level and adjust it if needed (see the “Using Your Washer” section).

When you touch this button, the Detergent Dosing Aid symbol lights up in the display.

When you touch the Start/Pause button to start the program/cycle, the drum will rotate to detect the load size of the laundry. During load detection, the time display changes from cycle time to a chasing LED animation. The display will then show the recommended detergent amount in milliliters (see Concentration Chart in “About Detergent Concentration”). Use any standard measuring cup to measure out the right detergent amount. After adding detergent, close the detergent dispenser. Touch and hold the START/PAUSE button to continue the cycle.

D Delay Wash

This option starts your program/cycle at a later time, up to 24 hours.

6 SETTINGS

A Temperature

This setting lets you change the temperature of the program/cycle selected, if desired.

B Spin Speed

This setting lets you change the spin speed of the program/cycle selected, if desired.

Rinse/Hold

This option will stop at the end of the rinse portion of the cycle and leave the clothes soaking until you touch the Start/Pause button to continue the drain and final spin.

7 OTHER OPTIONS



Save Time

This option enables quicker washing. Only recommended for lightly soiled laundry.



Extra Rinse

This option helps to avoid detergent residues in the laundry by extending the rinse time. Especially suitable for baby laundry, people with allergies, or areas with soft water.



Heavy Soil

This option optimizes the stain-removal efficiency of additives. Ideal for heavily soiled, stained laundry. Add an appropriate amount of powder in-wash additive for stain removal to the main wash compartment, together with your detergent (powder only). This may extend the program by up to 15 minutes. Appropriate for use with oxygen-based stain removers.

IMPORTANT: Chlorine or perborate bleach agents must not be used.



Pre-Soak

The Pre-Soak option may be set either on or off. The Pre-soak option will perform a 30 minute cold soak at the beginning of the cycle.

NOTE: Pretreatment is recommended for stubborn stains.



Sanitize

This option eliminates 99.9% of the most common bacteria found in clothes, sheets, and towels. The extra hot wash temperature ensures sanitization. Check recommended wash temperature of your items. Bacteria tested were *K. pneumonia*, *P. aureginosa*, and *S. aureus*.



PreWash

This option helps to clean heavily soiled laundry by adding a 20 minute prewash to the program/cycle selected.



Control Lock

This option allows you to lock the buttons and knob to avoid unwanted use by small children or other unqualified persons. Touch and hold the OPTION button until the “key” symbol lights up. All controls will be locked except for the Power button. To cancel Key Lock, touch and hold the OPTION button until the key symbol goes off.

8 START/PAUSE BUTTON

Touch to start, or touch and hold to pause, a program/cycle. When you start a program/cycle, the display shows an animation of chasing LEDs. This indicates the washer is estimating dry load size. Once the load size is estimated, water will be added to start the wash cycle.

9 LED DISPLAY

When you select a program/cycle, its default settings will light up and the Estimated Time Remaining will be displayed. Factors such as load size, wash temperature, and water pressure may affect the time shown in the display. Tightly packing, unbalanced loads, or excessive suds may cause the washer to lengthen the program/cycle time, as well.

Symbols



Door can be opened.



Water supply is inadequate.



Water cannot be drained. Drain pump filter, drain hose, or pump may be blocked. Check drain hose for kinks or clean the filter as shown in “Washer Maintenance.”



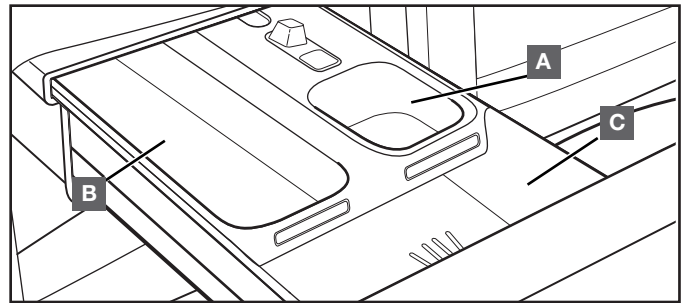
Call for service.



Dosing aid symbols.

Dispenser Drawer

The dispenser drawer gives you the convenience of adding HE detergent and liquid fabric softener to the wash load at the proper time. See “Using the Dispenser Drawer” for information on using the dispenser drawer.



A

Liquid fabric softener compartment

Automatically dilutes and dispenses liquid fabric softener at the optimum time in the cycle.

■ Use only liquid fabric softener in this dispenser.

B

Prewash compartment

When using the PreWash option, add detergent here or directly into the drum.

C

Main wash compartment

This compartment holds liquid or powdered HE detergent for your main wash cycle. If PreWash detergent has been added to the drum, use powdered detergent in the main wash compartment; this ensures that the detergent stays in the detergent dispenser until the start of the main wash phase.





IMPORTANT: Do not use chlorine bleach in this washer.

Program/Cycle Guide

Settings and options shown in **bold** are default settings for that program/cycle. For best fabric care, choose the program/cycle, options, and settings that best fit the load being washed. Not all settings are available with each program/cycle, and some options cannot be used together.

Load Size Recommendations

For best results, follow the load size recommendations noted for each program/cycle.

- 
Small load: Fill the washer drum with 3–4 items, not more than 1/4 full.
- 
Large load: Fill the washer drum up to about 3/4 full.
- 
Medium load: Fill the washer drum up to about 1/2 full.
- 
Extra-large load: Fill the washer drum, but make sure clothes can tumble freely. For best results, avoid packing tightly.

Rinse Hold Option



This option keeps laundry in the final rinse water without spinning. Rinse Hold is suitable for delicate laundry and items that require a lower spin speed, but is not appropriate for silk.

To turn off Rinse Hold and drain the water:

- Turn the knob to select “0” for spin speed, press the knob to confirm your selection, and touch the START/PAUSE button.






OR

- Spin the laundry, if desired. Touch the START/PAUSE button to spin at the default speed or turn the knob to select a different spin speed, press the knob to confirm your selection, and touch the START/PAUSE button.

| Program/Cycle: | Items to Wash Using Default Program/Cycle Settings: | Wash Temperature:* | Spin Speed: | Available Options: | Program/Cycle Details: |
|----------------------------|--|---|--|--|---|
| Clean Washer with affresh® | No clothes in washer | X-hot | N/A | Delay Wash | Use this program/cycle every 30 washes to keep the inside of your washer fresh and clean. This program/cycle uses a higher water level. Use with affresh® washer cleaner tablet to thoroughly clean the inside of your washer. This program/cycle should not be interrupted. See “Washer Care.” IMPORTANT: ■ Do not place garments or other items in the washer during the Clean Washer with affresh® program/cycle. Use this program/cycle with an empty wash tub. See “Washer Care” in “Washer Maintenance.” ■ Do not use bleach; however, a non-chlorinated oxidizing agent can be used. |
| Heavy Duty | Sturdy colorfast fabrics and heavily soiled garments | X-hot Hot Warm Cool Cold Colors | Max High Medium Low Off | Colors TumbleFresh™ Detergent Delay Wash Extra Rinse Heavy Soil Pre-Soak Save Time Sanitize** PreWash Rinse/Hold |  Fast-speed tumbling and an extra-high-speed final spin help provide optimal cleaning and reduce drying times. |
| Normal | Normally soiled cottons, linens, sheets, and mixed-garment loads | X-hot Hot Warm Cool Cold Colors | Max | Colors TumbleFresh™ Detergent Delay Wash Extra Rinse Pre-Soak PreWash Heavy Soil Rinse/Hold |  This program/cycle combines medium-speed tumbling and an extra-high-speed spin. This program/cycle is designed to provide the most energy efficiency. |

*All temperature selections feature a Cold rinse.
**Only available for X-hot setting.

Continued on next page

| Program/ Cycle: | Items to wash using default program/ cycle settings: | Wash Temperature:* | Spin Speed: | Available Options: | Program/Cycle Details: |
|--------------------|--|---|--|--|--|
| Synthetics | Normally soiled laundry made of artificial fibers or cotton blends | X-hot Hot Warm Cool Cold Colors | Max High Medium Low Off | Colors TumbleFresh™ Detergent Delay Wash Save Time Extra Rinse Heavy Soil Pre-Soak PreWash Rinse/Hold |  This cycle uses high-speed extraction spins to remove the maximum amount of water. Also utilizes a high-speed tumbling (similar to normal and heavy-duty cycles). |
| Delicates | Sheer fabrics, lingerie, sweaters, and lightly soiled shirts, blouses, trousers, pants, and skirts | Warm Cool Cold Colors | Medium Low Off | Colors TumbleFresh™ Detergent Delay Wash Save Time PreWash Rinse/Hold Extra rinse Heavy soil Pre-Soak |  This program/cycle combines gentle tumble action and low-speed spin for gentle fabric care and reduced wrinkling. |
| Wool | Wool items labelled with the Woolmark logo and identified as machine washable | Cool Cold Colors | Low Off | Colors TumbleFresh™ Delay Wash Save Time Rinse/Hold Detergent Extra Rinse Heavy soil PreWash Pre-Soak |  This cycle uses a reduced/gentle tumble pattern that allows for soaking and limited wear on fabric. Also uses lower spin speeds. |
| Quick Wash | Small loads of 2–4 lightly soiled garments | Hot Warm Cool Cold Colors | Max High Medium Low Off | Colors TumbleFresh™ Detergent Delay Wash Rinse/Hold Save time Extra rinse Heavy Soil PreWash Pre-Soak |  For small loads (2–4 items) needed quickly. This program/cycle combines high-speed tumbling, a shortened wash time, and an extra-high-speed spin for reduced drying times. |
| Handwash | Silk (see care label recommendations), cashmere, viscose marked as machine washable | Cool Cold Colors | Medium Low Off | Colors TumbleFresh™ Delay Wash Save Time Rinse/Hold Detergent Extra Rinse Heavy Soil PreWash Pre-Soak |  Use this cycle for delicate fabrics. This cycle uses a reduced/gentle tumble pattern that allows for soaking and limited wear on fabric. Also uses lower spin speeds. |

*All temperature selections feature a Cold rinse.

Continued on next page

| Program/ Cycle: | Items to wash using default program/ cycle settings: | Wash Temperature:* | Spin Speed: | Available Options: | Program/Cycle Details: |
|--------------------|--|-----------------------|-------------------------------------|---|--|
| Rinse & Spin | All loads | N/A | Max High Medium Low Off | TumbleFresh™ Extra Rinse Rinse/Hold Delay Wash | ● Use this program/cycle to get a rinse and spin only. This program/cycle has high-speed spin. Rinse & Spin is useful for loads that need rinsing only and for adding fabric softener to a load using the fabric softener dispenser. |
| Spin | Wet load of clothes | N/A | Max High Medium Low Off | TumbleFresh™ Delay Wash | ● Use Spin to remove excess water from the load. Spin speed can be set to a lower setting. |

*All temperature selections feature a Cold rinse.

Choosing the Right Detergent

Use only High Efficiency detergents. The package will be marked "HE" or "High Efficiency." Low-water washing creates excessive sudsing with a non-HE detergent. Using non-HE detergent will likely result in longer cycle times and reduced rinsing performance. It may also result in component malfunction and, over time, buildup of mold or mildew. HE detergents should be low-sudsing and quick-dispersing to produce the right amount of suds for the best performance. They should hold soil in suspension so it is not redeposited onto clean clothes. Not all detergents labeled as High Efficiency are identical in formulation and their ability to reduce suds. For example, natural, organic, or homemade HE detergents may generate a high level of suds. Always follow the detergent manufacturer's instructions to determine the amount of detergent to use.



Use only High Efficiency (HE) detergent.

About Detergent Concentration

Today's liquid HE detergents are concentrated. Most brands of concentrated HE detergent will show the level of concentration on the bottle.

However, if the detergent bottle does not give the concentration, it can be easily calculated. Just divide the package size in fluid ounces by the number of loads. Then refer to the chart below to find the concentration.

If you do not get your desired cleaning results, try using a lower concentration number. If you have excess suds, try using a higher concentration number.

| Concentration | Number of ounces ÷ number of loads |
|---------------|------------------------------------|
| 2X | 1.5–2.49 (44.4 ml–73.6 ml) |
| 3X | 0.9–1.49 (26.6 ml–44.1 ml) |
| 4X | 0.7–0.89 (20.7 ml–26.3 ml) |
| 5X | 0.5–0.69 (14.8 ml–20.4 ml) |
| 6X | 0.3–0.49 (8.9 ml–14.5 ml) |

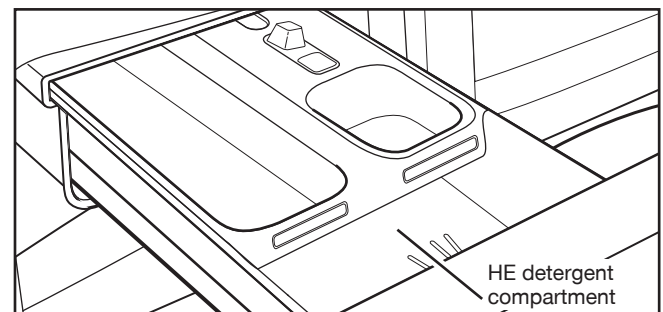
Using the Dispenser Drawer

1. Open the dispenser drawer.
2. Add laundry products as described in steps 4–6 in the "Using Your Washer" section.
3. Slowly close the dispenser drawer. Make sure it is completely closed.

NOTE: A small amount of water may remain in the dispensers from the previous wash cycle. This is normal.

IMPORTANT: Do not use chlorine bleach in this washer.

Adding HE detergent to dispenser



Pour a measured amount of HE detergent into detergent compartment.

Do not overfill; adding too much detergent may cause detergent to be dispensed into the washer too early.



Use only High Efficiency (HE) detergent.

IMPORTANT:

- Do not add single-dose laundry packet to dispenser drawer.
- Use powdered detergent when using the Delay Wash option. Liquid detergent may seep out before the wash begins.

Adding the proper amount of detergent

- Only use detergent manufacturer's recommended quantity of detergent (HE liquid or HE powder).
- If the PreWash option is selected, split the detergent dose between the PreWash and Main Wash compartments.

Using Your Washer

⚠️ WARNING



Fire Hazard

Never place items in the washer that are dampened with gasoline or other flammable fluids.

No washer can completely remove oil.

Do not dry anything that has ever had any type of oil on it (including cooking oils).

Doing so can result in death, explosion, or fire.

⚠️ WARNING



Electrical Shock Hazard

Plug into a grounded 3 prong outlet.

Do not remove ground prong.

Do not use an adapter.

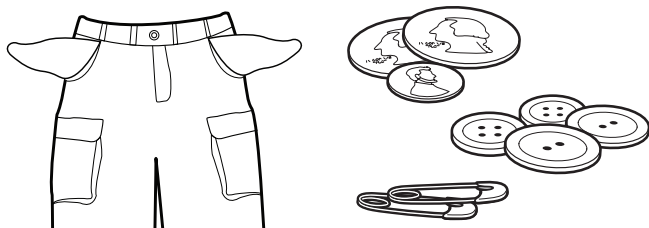
Do not use an extension cord.

Failure to follow these instructions can result in death, fire, or electrical shock.

First wash cycle without laundry

Before washing clothes for the first time, add liquid or powdered HE detergent to the detergent dispenser. Choose the Quick Wash cycle and run it without clothes. Use only HE detergent. This initial cycle serves to ensure the interior is clean and the dispenser drawer is ready for use before washing clothes.

1. Sort and prepare your laundry

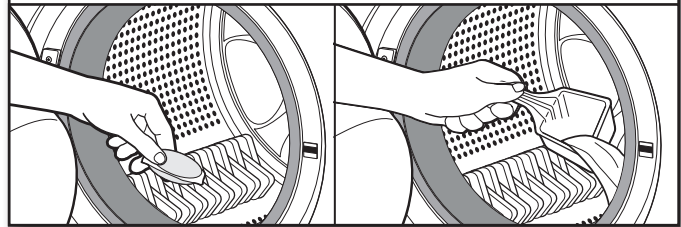


Sort items by recommended cycle, water temperature, and colorfastness. Separate heavily soiled items from lightly soiled. Separate delicate items from sturdy fabrics. Treat stains promptly and check for colorfastness by testing stain remover products on an inside seam.

IMPORTANT:

- Empty pockets. Loose change, buttons, or any small object can plug pumps and may require a service call.
- Close zippers, fasten hooks, tie strings and sashes, and remove non-washable trim and ornaments.
- Mend rips and tears to avoid further damage to items during washing.
- Turn knits inside out to prevent pilling. Separate lint-takers from lint-givers. Synthetics, knits, and corduroy fabrics will pick up lint from towels, rugs, and chenille fabrics.
- Do not dry garments if stains remain after washing, because heat can set stains into fabric.
- Always read and follow fabric care labels and laundry product instructions. Improper usage may cause damage to your garments.

2. Add laundry products (if desired)

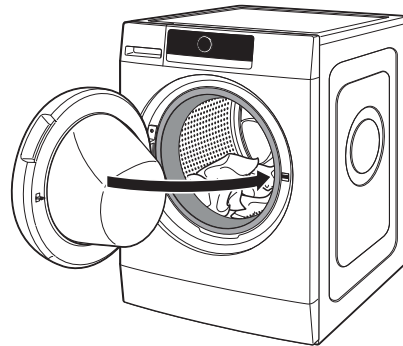


Single-dose laundry packets, Oxi-type boosters, or fabric softener crystals can be added to the drum prior to adding laundry.

NOTES:

- Always follow manufacturer's instructions.
- Do not use chlorine bleach.

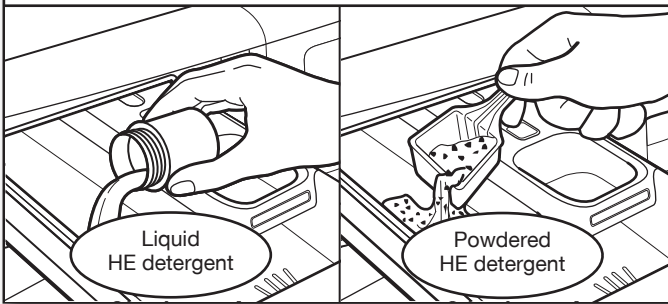
3. Load laundry into washer



Place a load of sorted items loosely in the washer. Items need to move freely for best cleaning and to reduce wrinkling and tangling. Close the washer door by pushing it firmly until the latch clicks.

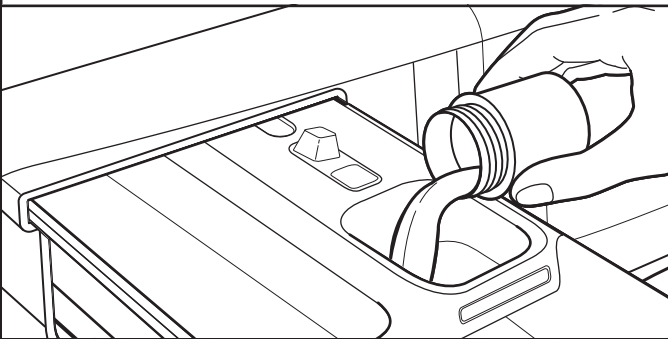
- Depending on load type and cycle, the washer can be fully loaded, but not tightly packed. Washer door should close easily. See "Program/Cycle Guide" for loading suggestions.
- Mix large and small items and avoid washing single items. Load evenly.
- Wash small items in mesh garment bags. For multiple items, use more than one bag and fill bags equally.

4. Add HE detergent*



NOTE: Do not add single-dose laundry packets, Oxi-type boosters, or fabric softener crystals to dispensers. They will not dispense correctly.

5. Add liquid fabric softener to dispenser (if desired)



Pour a measured amount of liquid fabric softener into liquid fabric softener compartment. Always follow manufacturer's directions for correct amount of fabric softener based on your load size.

Fabric softener is always dispensed in the last rinse, even if Extra Rinse is selected.

IMPORTANT: Do not overfill, dilute, or use more than 1/4 cup (60 mL) of fabric softener. Do not fill past the MAX line. Overfilling dispenser will cause fabric softener to immediately dispense into washer.

- Do not spill or drip any fabric softener onto the clothes.
- Do not use liquid fabric softener dispenser balls in this washer. They will not dispense correctly.

6. Touch and hold POWER button to turn on washer

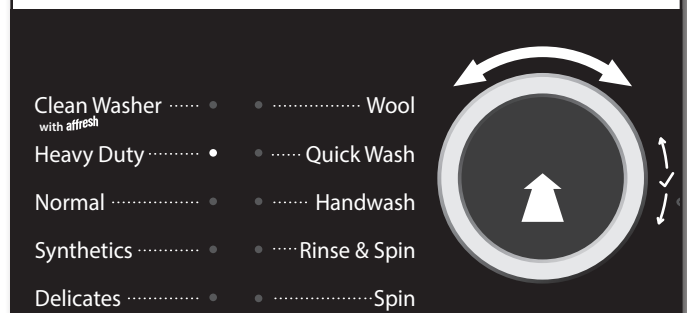


Touch and hold until the indicators turn on.

NOTE: To cancel a cycle, touch and hold the POWER button. "rES" is displayed when the cycle is cancelled.

NOTE: When powering on the washer, the indicator lights will scroll across the front of the control panel. Do not try to program the washer until the lights stop scrolling.

7. Select program/cycle†



Turn the knob to select a program/cycle for your laundry load. As you turn the knob, an indicator light will light up next to the program/cycle names to the left of the knob. Stop turning when the indicator next to the desired program/cycle lights up. Press the knob to confirm your selection.

See "Program/Cycle Guide" for details on program/cycle features.

*Detergent can be added after touching the Start/Pause button if the Dosing Aid is used (see Step 8).

†Not all options and settings are available with all program/cycles. See "Program/Cycle Guide" for available options and settings.

8. Select options, if desired†



Dosing Aid (Detergent Button):

The Detergent button calculates a recommended amount of detergent in milliliters. This will be displayed after touching the Start/Pause button and the load is detected. The Detergent button also lets you adapt your washer to the dosing amounts of your detergent and the hardness of your local water.

To set the washer for the detergent dosing amount:

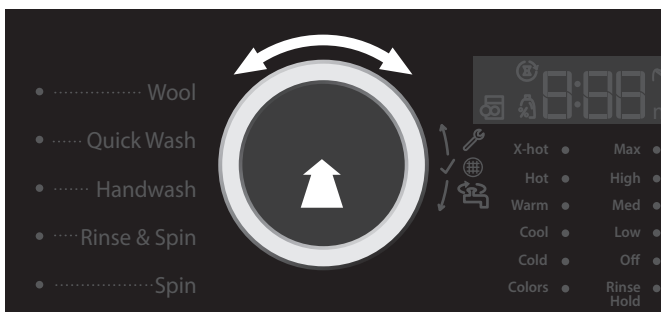
1. Check your detergent dosing amount for medium soil level and medium water hardness.

NOTE: Do not add more than the dose recommended by the detergent manufacturer.

2. Touch and hold the DETERGENT button until the bottle symbol on the display lights up.



3. Turn the knob to adjust the dosing value to the one shown on the detergent bottle. Press the knob to confirm your selection. See the chart in “About Detergent Concentration.”

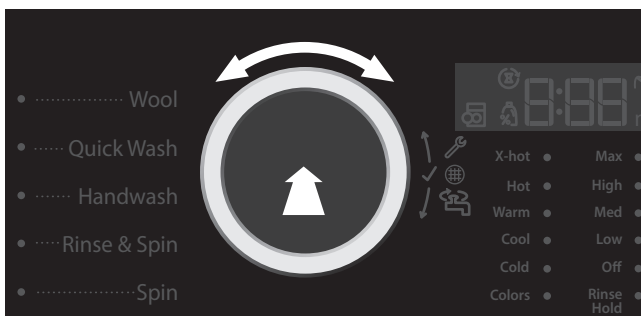


To set the washer for local water hardness (washer is preset for soft water):

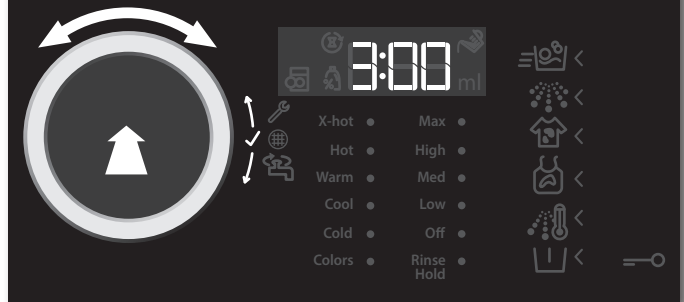
1. Check your regional water hardness level by consulting your local authorities or the Internet.
2. If your water is not soft, touch and hold the PROGRAM and DETERGENT buttons at the same time. “1” (for soft water) appears on the display.



3. Turn the knob to adjust the water level to either “2” (Medium) or “3” (Hard). Press the knob to confirm your selection.



9. Setting a delayed wash, if desired†



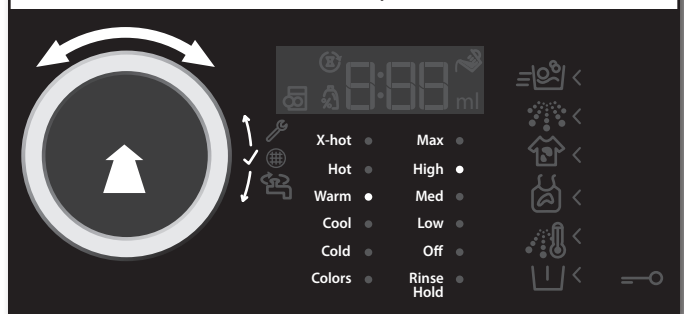
If you do not want to begin a cycle immediately, you may choose the Delay Wash option. This will delay the start of the wash cycle by up to 24 hours.

To set a Delayed Wash:

1. Touch the DELAY WASH button to set the desired delay time.
2. Turn the knob to the number of hours you want to delay the start of the wash cycle. The delay time will appear on the display. Press the knob to confirm your selection.

After touching the Start/Pause button, the door will lock and the time will count down until the delay time has been reached. The washer will start and the display will show the remaining time in the cycle.

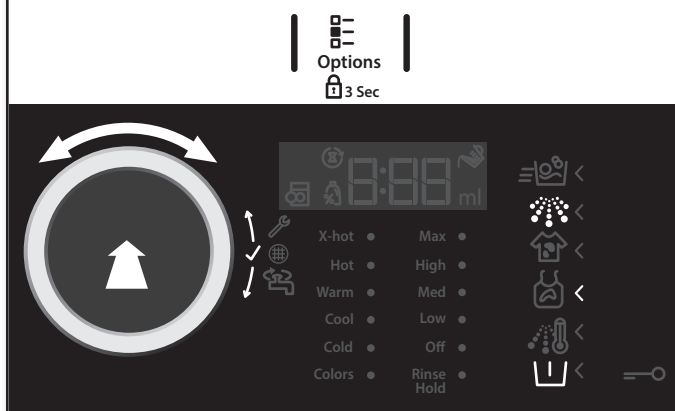
10. Change temperature or spin speed, if desired†



Touch the TEMP or SPIN SPEED button; then turn the knob to select the desired temperature or spin speed. As you turn the knob, an indicator light will light up next to the temperatures or spin speeds to the right of the knob. Stop turning when the indicator next to the desired selection lights up. Press the knob to confirm your selection.

†Not all options and settings are available with all program/cycles. See “Program/Cycle Guide” for available options and settings.

11. Select any additional options†



After setting temperature or spin speed, the light above “Options” lights up. Turn the knob to select the desired option(s). As you turn the knob, the option symbols above the Options button will light up one at a time as you turn the knob. Stop turning when the symbol of the desired option lights up. Press the knob to confirm your selection.

12. Touch START/PAUSE button to begin wash program/cycle



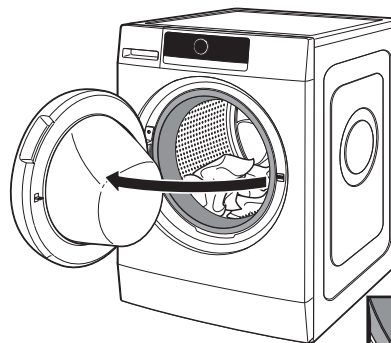
Touch the START/PAUSE button to start the wash program/cycle. To pause a program/cycle in progress, touch the START/PAUSE button once, then touch again to continue the program/cycle. To cancel a program/cycle, touch the POWER button.

Once you touch the START/PAUSE button, you will hear the door lock. The washer door will remain locked during the wash program/cycle.

13. Touch POWER button to turn off washer after program/cycle ends

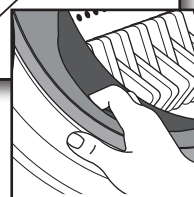


14. Remove garments promptly after cycle is finished



Promptly remove garments after cycle has completed to avoid odor and rusting of metal objects on garments. When unloading garments, pull back the door seal and check for small items between the tub and the washer drum.

If you will be unable to remove the load promptly, use the TumbleFresh™ option. If the TumbleFresh™ option is selected, the washer will automatically tumble the load periodically for up to 6 hours. To turn off the TumbleFresh™ option, touch the POWER button. To set the washer so that the TumbleFresh™ option does not come on for future cycles, touch the TUMBLEFRESH button.



NOTES:

- The door will remain locked while the TumbleFresh™ option is active. To cancel the option and unlock the door, touch the POWER button.
- A small amount of water may remain in the dispensers after the wash cycle is complete. This is normal.
- This washer has a tight seal to avoid water leaks. To avoid odors, leave the door open to allow the washer to dry between uses.

†Not all options and settings are available with all program/cycles. See “Program/Cycle Guide” for available options and settings.

Washer Maintenance

WATER INLET HOSE

Replace inlet hose after five years of use to reduce the risk of hose failure. Periodically inspect and replace inlet hose if bulges, kinks, cuts, wear, or leaks are found.

When replacing your inlet hose:

- Mark the date of replacement on the label with a permanent marker.
- Check that the old washer is not stuck on the washer inlet valve.
- Use a new washer in the new inlet hose to ensure a proper seal.

WASHER CARE

Recommendations to Help Keep Your Washer Clean and Performing at Its Best

1. Always use High Efficiency (HE) detergents and follow the HE detergent manufacturer's instructions regarding the amount of HE detergent to use. Never use more than the recommended amount because that may increase the rate at which detergent and soil residue accumulate inside your washer, which in turn may result in undesirable odor.
2. Use warm or hot water washes sometimes (not exclusively cold water washes), because they do a better job of controlling the rate at which soils and detergent accumulate.
3. Always leave the washer door slightly ajar between uses to help dry out the washer and avoid the buildup of odor-causing residue.
4. Periodically clean residue from all interior surfaces of the glass window. For better care, wipe the entire inside of the glass door with a damp cloth.

Cleaning Your Front-Loading Washer

Read these instructions completely before beginning the routine cleaning processes recommended below. This Washer Maintenance Procedure should be performed, at a minimum, once per month or every 30 wash cycles, whichever occurs sooner, to control the rate at which soils and detergent may otherwise accumulate in your washer.

Cleaning the Door Seal

1. Open the washer door and remove any clothing or items from the washer.
2. Inspect the seal between the door opening and the drum for stained areas or soil buildup. Pull back the seal to inspect all areas under the seal and to check for foreign objects.
3. If stained areas or soil buildup are found, wipe down these areas of the seal using the following procedure:
When the cycle is complete, gently pull back the rubber door seal and clean the entire surface with the textured side of an affresh® Machine Cleaning Wipe.

WASHER CARE (cont.)

Cleaning the Inside of the Washer

This washer has a special cycle that uses higher water volumes in combination with affresh® Washer Cleaner to thoroughly clean the inside of the washer. Steam washer models also utilize steam to enhance cleaning in this special cycle.

NOTE: Read these instructions completely before beginning the cleaning process.

Begin procedure

Clean Washer with affresh® Cycle Procedure (Recommended for Best Performance):

- a. Open the washer door and remove any clothing or items.
- b. Use an affresh® Machine Cleaning Wipe or a soft, damp cloth or sponge to clean the inside door glass.
- c. Add an affresh® Washer Cleaner tablet to the washer drum.
- d. Do not add the affresh® Washer Cleaner tablet to the dispenser drawer.
- e. Do not add any detergent or other chemical to the washer when following this procedure.
- f. Close the washer door.
- g. Select the Clean Washer with affresh® cycle.
- h. Select the TumbleFresh™ option to help dry the washer interior after the cycle is complete.
NOTE: The washer remembers your last option selection and will use it for future wash cycles until you deselect that option.
- i. Touch the START/PAUSE button to begin the cycle. The Clean Washer with affresh® Cycle Operation is described below.

Description of Clean Washer with affresh® Cycle Operation:

1. Do not run this cycle with a load. Doing so could damage the items.
2. After the cycle is complete, leave the door open slightly to allow for better ventilation and drying of the washer interior.

Cleaning the Dispensers

After a period of using your washer, you may find some residue buildup in the washer's dispensers. To remove residue from the dispensers, remove the drawer and wipe the surfaces with an affresh® Machine Cleaning Wipe or a damp cloth and towel dry either before or after you run the Clean Washer with affresh® cycle. Use an all-purpose surface cleaner, if needed.

IMPORTANT: Dispenser is not dishwasher safe.

Cleaning the Outside of the Washer

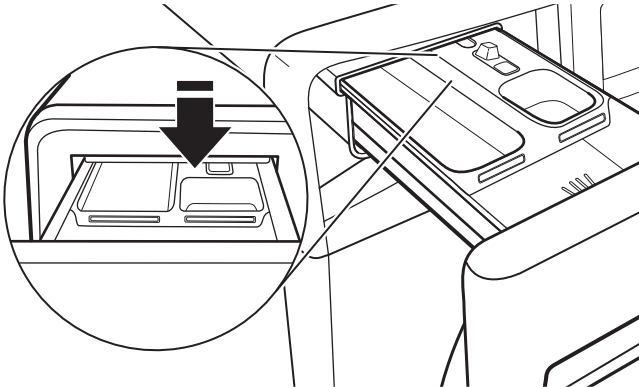
Use an affresh® Machine Cleaning Wipe or a soft, damp cloth or sponge to wipe up any spills. Occasionally wipe the outside of your washer to help keep it looking new. Use an affresh® Machine Cleaning Wipe or mild soap and water.

IMPORTANT: To avoid damaging the washer's finish, do not use abrasive products.

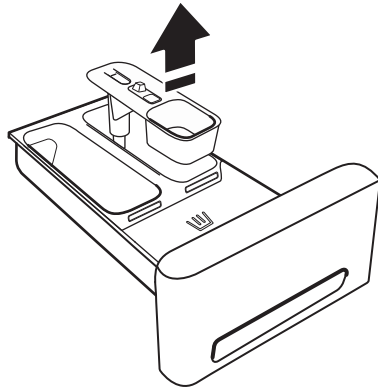
REMOVING THE DISPENSER

To remove:

1. Pull dispenser drawer out until it stops.
2. Press down on the release tab and pull straight out to remove the dispenser.

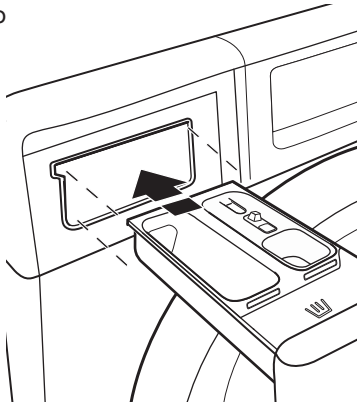


3. Lift off cover panel by pulling straight up.



To replace:

1. Slide cover panel back onto posts on dispenser.
2. Align edges of dispenser with guides in washer, then slide dispenser back into slot.



NON-USE AND VACATION CARE

Operate your washer only when you are home. If moving, or not using your washer for a period of time, follow these steps:

1. Unplug or disconnect power to washer.
2. Turn off water supply to washer to avoid flooding due to water pressure surges.

HELPFUL TIP: Attach a reminder note to the washer to turn the water back on before washer's next use.

3. Clean the dispensers. See "Cleaning the Dispensers."

WINTER STORAGE CARE

IMPORTANT: To avoid damage, install and store washer where it will not freeze. Because some water may stay in hoses, freezing can damage washer. If storing or moving during freezing weather, winterize your washer.

To winterize washer:

1. Shut off water faucet, disconnect and drain water inlet hose.

HELPFUL TIP: Attach a reminder note to the washer to turn the water back on before washer's next use.

2. Put 1 qt. (1 L) of R.V.-type antifreeze in washer drum and run washer on Normal cycle for about 2 minutes to mix antifreeze and remaining water.
3. Unplug washer or disconnect power.

TRANSPORTING YOUR WASHER

1. Shut off water faucet. Disconnect and drain water inlet hose.
2. If washer will be moved during freezing weather, follow "Winter Storage Care" directions before moving.
3. Disconnect drain hose from drain system and from back of washer.
4. Unplug power cord.
5. Place inlet hose and drain hose inside washer drum.
6. Bundle power cord with a rubber band or cable tie to keep it from hanging onto the ground.

IMPORTANT: Call for service to install new transport bolts. Do not reuse transport bolts. Washer must be transported in the upright position. To avoid structural damage to your washer, it must be properly set up for relocation by a certified technician.

⚠ WARNING



Electrical Shock Hazard

Plug into a grounded 3 prong outlet.

Do not remove ground prong.

Do not use an adapter.

Do not use an extension cord.

Failure to follow these instructions can result in death, fire, or electrical shock.

⚠ WARNING



Electrical Shock Hazard

Disconnect power before cleaning.

Replace all parts and panels before operating.

Failure to do so can result in death or electrical shock.

REINSTALLING/USING WASHER AGAIN

To reinstall washer after non-use, vacation, winter storage, or moving:

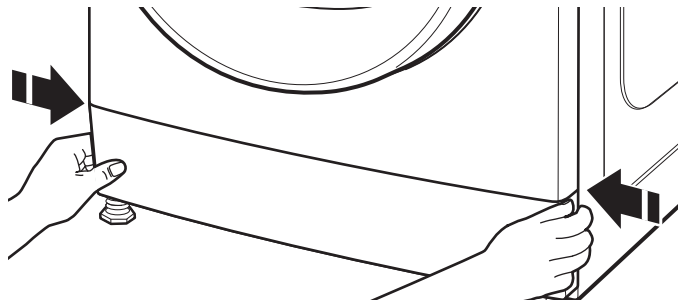
1. Refer to "Installation Instructions" to locate, level, and connect washer.
2. Before using again, run washer through the following recommended procedure:

To use washer again:

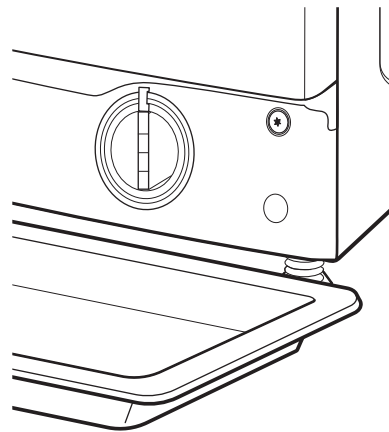
1. Flush water pipes and hose. Reconnect water inlet hose. Turn on water faucet.
2. Plug in washer or reconnect power.
3. Run washer through Heavy Duty cycle to clean washer and remove antifreeze, if used. Use only HE detergent. Use half the manufacturer's recommended amount for a medium-size load.

CLEANING THE DRAIN PUMP FILTER/ DRAINING RESIDUAL WATER

1. Push the tabs located on both sides of the base panel to release it, then remove.

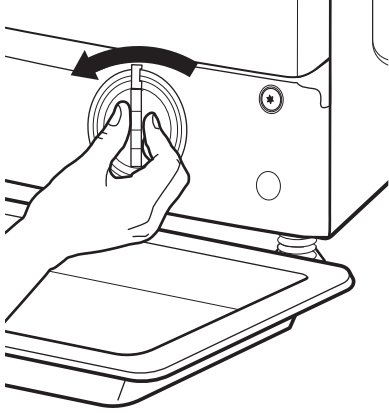


2. Place a broad, flat container beneath the drain pump filter to collect the drain water.

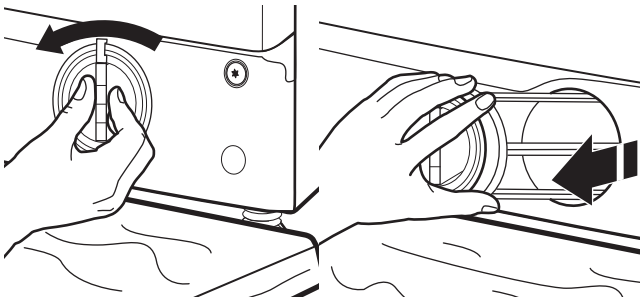


CLEANING THE DRAIN PUMP FILTER/ DRAINING RESIDUAL WATER (cont.)

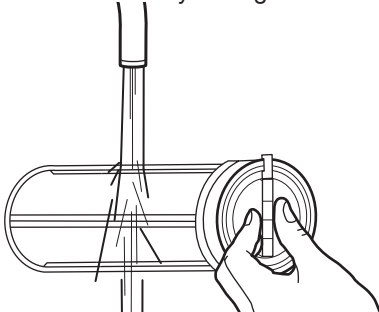
3. Slowly turn the filter counterclockwise until water flows out. Let the water flow out, without removing the filter. When the container is full, close the drain pump filter by turning it clockwise. Empty the container. Repeat this procedure until all the water has drained.



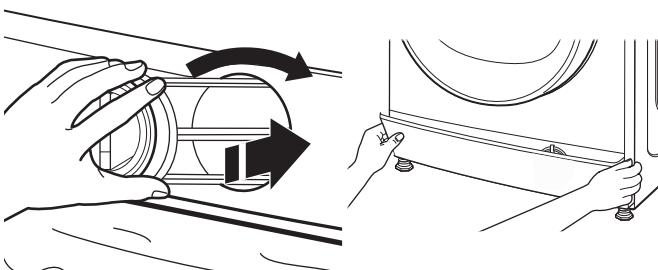
4. Lay a cotton cloth beneath the drain pump filter to absorb any water still in it. Then remove the drain pump filter by turning it counterclockwise.



5. Remove residue from the filter by rinsing with water.



6. Reinsert the drain pump filter by turning it clockwise. Make sure to turn it in as far as it will go, with the filter handle left in a vertical position. To test water tightness of the drain pump filter, pour about 1 liter of water into the detergent dispenser. Then reinstall the base panel.



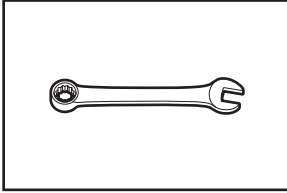
INSTALLATION INSTRUCTIONS

Installation Requirements

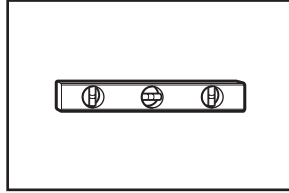
Tools and Parts

Gather required tools and parts before starting installation.

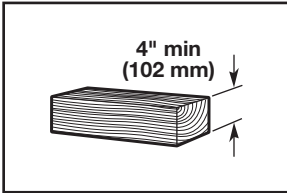
Tools needed:



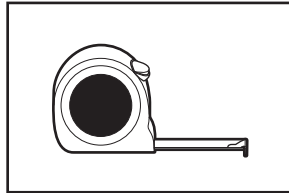
Adjustable or open-end wrenches 3/8" and 1/2"



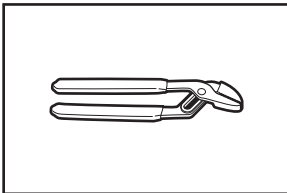
Level



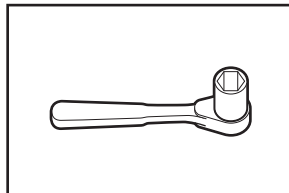
Wood block



Ruler or measuring tape



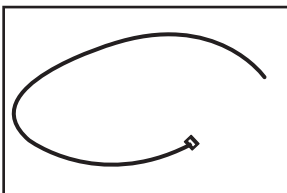
Pliers that open to 1 1/16"



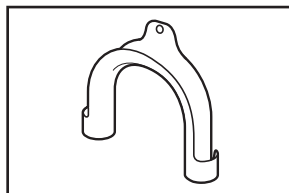
3/8" socket wrench

Parts supplied:

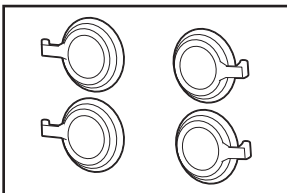
NOTE: All parts supplied for installation are in the washer drum. Inlet hoses and washers are not included.



Cable tie

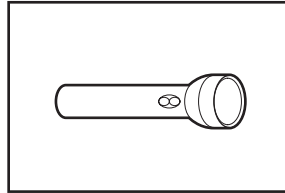


U-shaped hose form

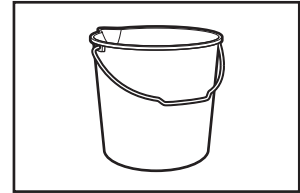


Transport bolt hole plugs (4)

Optional tools:



Flashlight



Bucket

Alternate parts: (Not supplied with washer)

Your installation may require additional parts. To order, please refer to toll-free numbers on the back page of this manual.

If you have:

Laundry tub or standpipe taller than 55" (1.4 m)

Overhead sewer

Floor drain system

Drain hose too short

Water faucet beyond reach of fill hose

You will need:

Sump pump system (if not already available)

Standard 20 gal. (76 L) 30" (762 mm) tall drain tub or utility sink, sump pump and connectors (available from local plumbing suppliers)

Siphon Break Kit
Part Number 285834
Connector Kit (x2)
Part Number 285835
Additional Drain Hose
Part Number 8318155

Extension Drain Hose
Part Number 285863
Connector Kit Part Number 285835

2 longer water fill hoses:
6 ft (1.8 m) Part Number 76314
10 ft (3.0 m) Part Number 350008

Available accessories:

- A Stack Kit is available to stack your washer and dryer.
- An optional matching pedestal is available to raise your washer to a more comfortable working height.

To order, call the dealer from whom you purchased your washer or refer to the "Assistance or Service" section.

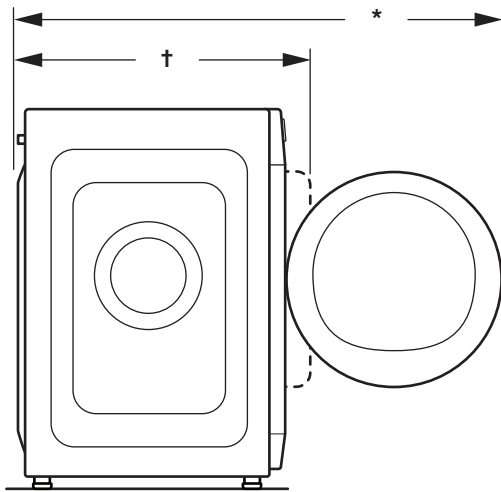
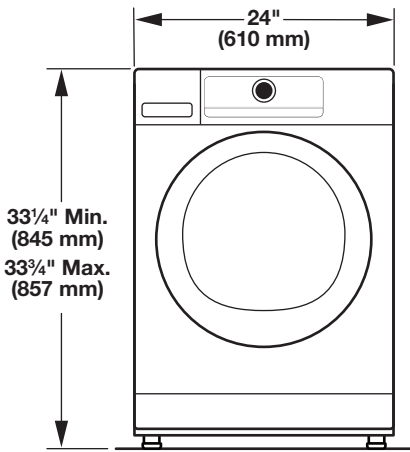
Location Requirements

Proper installation is your responsibility.

You will need:

- A grounded electrical outlet located within 5.4 ft (1.7 m) of power cord on back of washer.
- Water faucet located within 4 ft (1.2 m) of water fill valve on washer, and water pressure of 20–100 psi (137.9–689.6 kPa).
- A level floor with maximum slope of 1" (25 mm) under entire washer. Installing on carpet or surfaces with foam backing is not recommended.
- Floor must support washer's total weight (with water and load) of 400 lbs (180 kgs).

IMPORTANT: Do not install, store, or operate washer where it will be exposed to weather or in temperatures below 32°F (0°C). Water remaining in washer after use may cause damage in low temperatures. See "Washer Maintenance" for winterizing information.

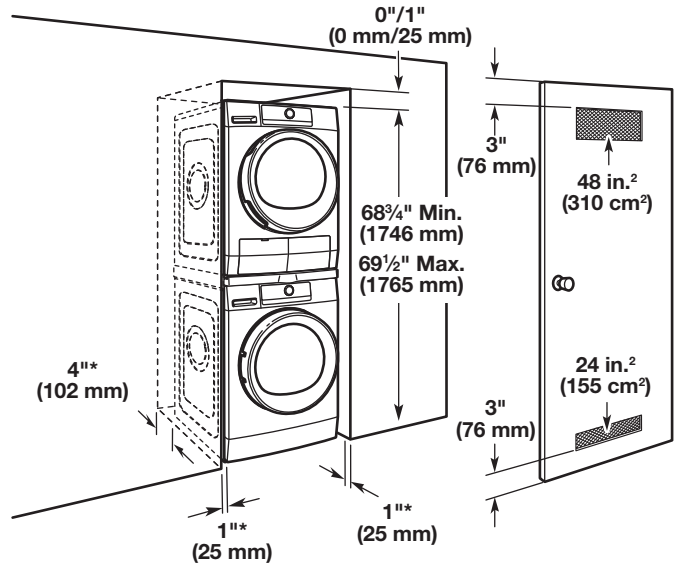


*2.3 cu. ft. models: 42¹⁵/₁₆" (1091 mm)
 1.9 cu. ft. models: 41⁵/₈" (1057 mm)
 †2.3 cu. ft. models: 25¹/₈" (638 mm)
 1.9 cu. ft. models: 24" (610 mm)

All dimensions show recommended spacing allowed, except for closet door ventilation openings which are the minimum required. For each arrangement, consider allowing more space for ease of installation and servicing, and spacing for companion appliances and clearances for walls, doors, and floor moldings.

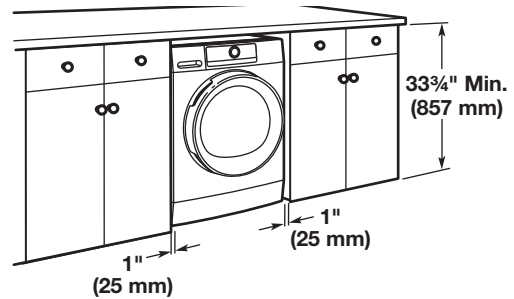
Space must be large enough to allow door to fully open. Add spacing of 1" (25 mm) on all sides of washer to reduce noise transfer. If a closet door or louvered door is installed, top and bottom air openings in door are required.

Recessed area or closet installation (stacked washer and dryer):



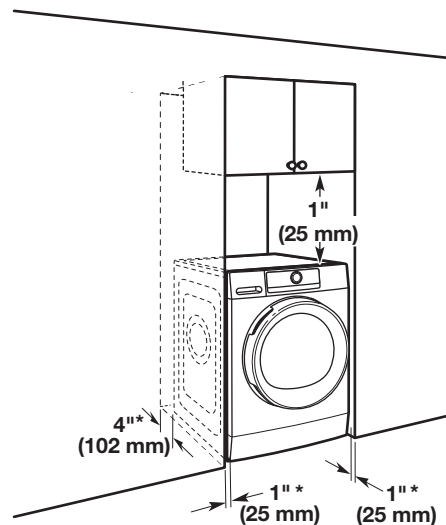
*Recommended spacing. Minimum 0" (0 mm)

Custom under counter installation:



IMPORTANT: When installing under a counter with a dryer, refer to dryer installation instructions for space requirement.

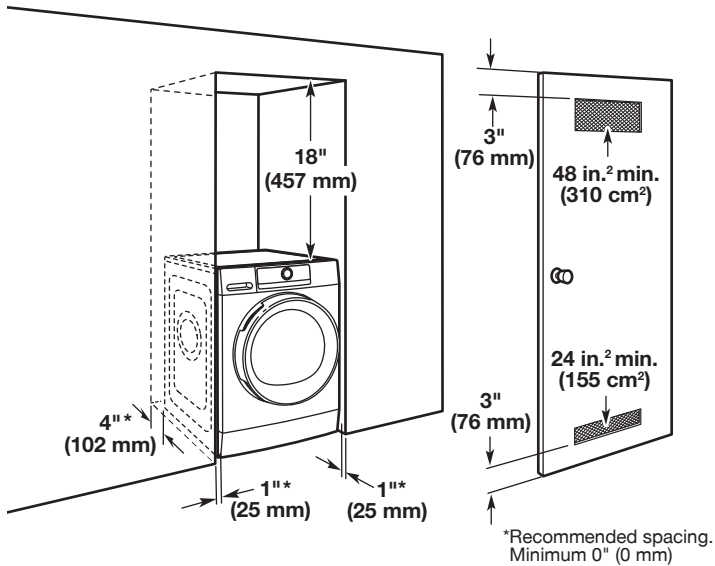
Custom cabinet installation:



*Recommended spacing. Minimum 0" (0 mm)

Location Requirements (cont.)

Closet installation (washer only):

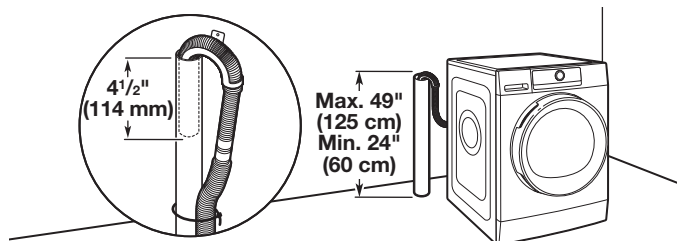


Drain System

Drain system can be installed using a floor drain, wall standpipe, floor standpipe, or laundry tub. Select method you need.

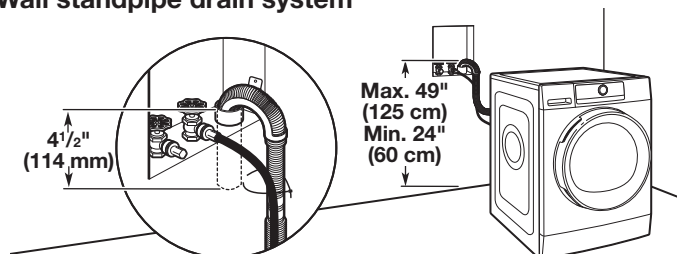
IMPORTANT: To avoid siphoning, only 4½" (114 mm) of drain hose should be inside standpipe. Always secure drain hose with cable tie.

Floor standpipe drain system



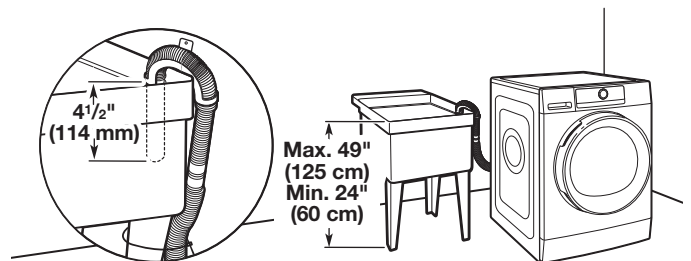
Minimum diameter for a standpipe drain: 2" (51 mm). Minimum carry-away capacity: 17 gal. (64 L) per minute. A 1/4" (6 mm) diameter to 1" (25 mm) diameter Standpipe Adapter Kit is available (Part Number 3363920). Top of standpipe must be at least 24" (60 cm) high; install no higher than 49" (125 cm) from bottom of washer. If you have an overhead sewer and need to pump higher than 96 inches, a sump pump and associated hardware are needed. See "Alternate Parts."

Wall standpipe drain system



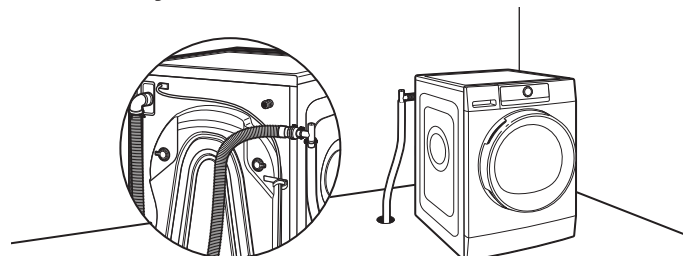
See requirements for floor standpipe drain system.

Laundry tub drain system



Minimum capacity: 20 gal. (76 L). Top of laundry tub must be at least 24" (60 cm) above floor; install no higher than 49" (125 cm) from bottom of washer.

Floor drain system



Floor drain system requires a Siphon Break Kit (Part Number 285834), two Connector Kits (Part Number 285835), and an Extension Drain Hose (Part Number 285863) that may be purchased separately. See "Alternate Parts." Minimum siphon break height: 28" (710 mm) from bottom of washer. (Additional hoses may be needed.)

Electrical Requirements

⚠ WARNING



Electrical Shock Hazard

Plug into a grounded 3 prong outlet.

Do not remove ground prong.

Do not use an adapter.

Do not use an extension cord.

Failure to follow these instructions can result in death, fire, or electrical shock.

- A 120 V, 60 Hz, AC-only, 15 or 20 A, fused electrical supply is required. A time-delay fuse or circuit breaker is recommended. It is recommended that a separate circuit breaker serving only this appliance be provided.
- This washer is equipped with a power supply cord having a 3 prong grounding plug.
- To minimize possible shock hazard, the cord must be plugged into a mating, 3 prong, grounding-type outlet, grounded in accordance with local codes and ordinances. If a mating outlet is not available, it is the personal responsibility and obligation of the customer to have the properly grounded outlet installed by a qualified electrician.
- If codes permit and a separate ground wire is used, it is recommended that a qualified electrician determine that the ground path is adequate.
- Do not ground to a gas pipe.
- Check with a qualified electrician if you are not sure the washer is properly grounded.
- Do not have a fuse in the neutral or ground circuit.

GROUNDING INSTRUCTIONS

For a grounded, cord-connected washer:

This washer must be grounded. In the event of a malfunction or breakdown, grounding will reduce the risk of electrical shock by providing a path of least resistance for electric current. This washer is equipped with a cord having an equipment-grounding conductor and a grounding plug. The plug must be plugged into an appropriate outlet that is properly installed and grounded in accordance with all local codes and ordinances.

WARNING: Improper connection of the equipment-grounding conductor can result in a risk of electric shock. Check with a qualified electrician or serviceman if you are in doubt as to whether the appliance is properly grounded.

Do not modify the plug provided with the appliance – if it will not fit the outlet, have a proper outlet installed by a qualified electrician.

For a permanently connected washer:

This washer must be connected to a grounded metal, permanent wiring system, or an equipment grounding conductor must be run with the circuit conductors and connected to the equipment-grounding terminal or lead on the appliance.

Installation Instructions

⚠ WARNING

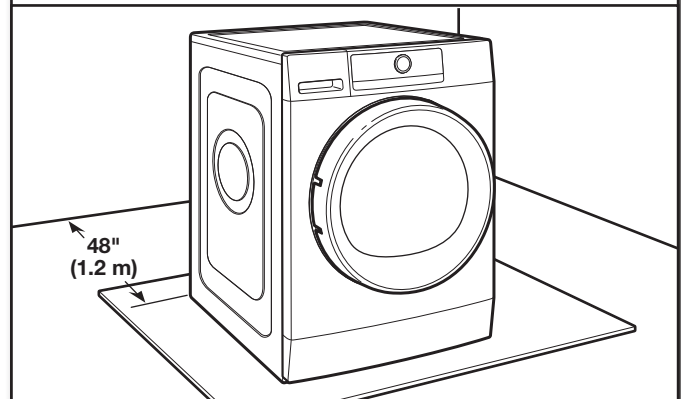
Excessive Weight Hazard

Use two or more people to move and install washer.

Failure to do so can result in back or other injury.

NOTE: To avoid floor damage, set washer onto cardboard before moving it.

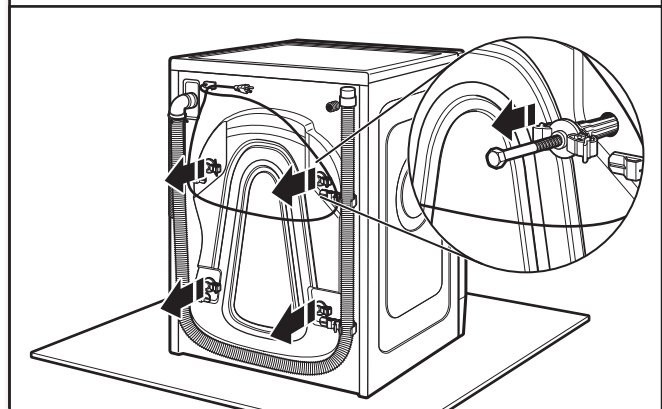
1. Move washer



It is necessary to remove all shipping materials for proper operation and to avoid excessive noise from washer.

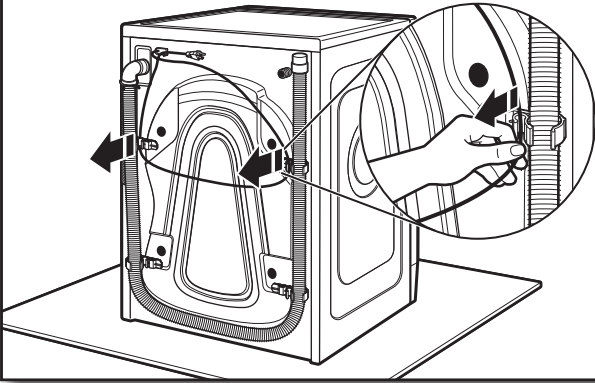
Move washer to within 48" (1.2 m) of its final location. It must be in a fully upright position.

2. Remove transport bolts from washer



Loosen bolts with a 3/8" (10 mm) wrench. Once the bolt is loose, wiggle and completely pull out the bolt and shipping plug.

3. Remove power cord from clips

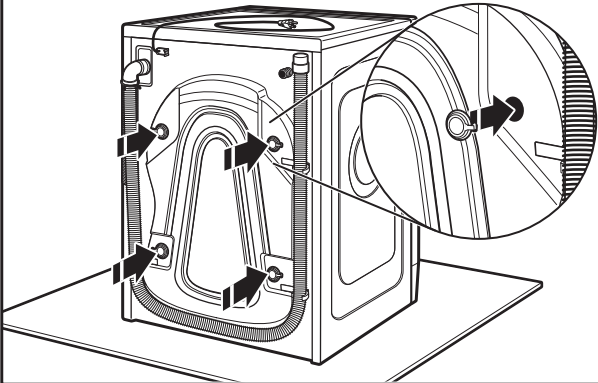


Remove power cord from clips and place over top of washer to allow free access to back of washer.

NOTE: If washer is transported at later date, call your local service center. To avoid suspension and structural damage, a certified technician must properly set up washer for relocation.

IMPORTANT: Do not plug washer in until installation has been completed.

4. Cover bolt holes with transport bolt hole plugs

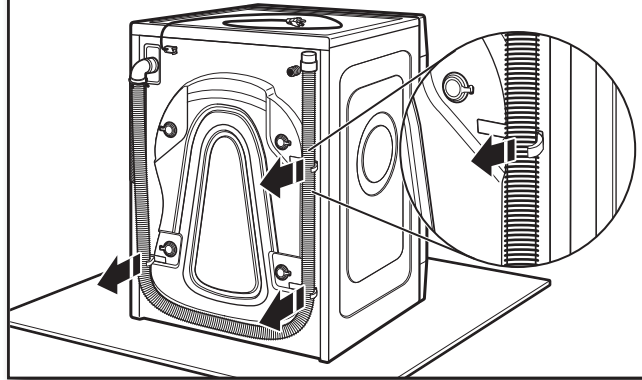


Close bolt holes on cabinet back with four transport bolt hole plugs included with washer parts.

Route Drain Hose

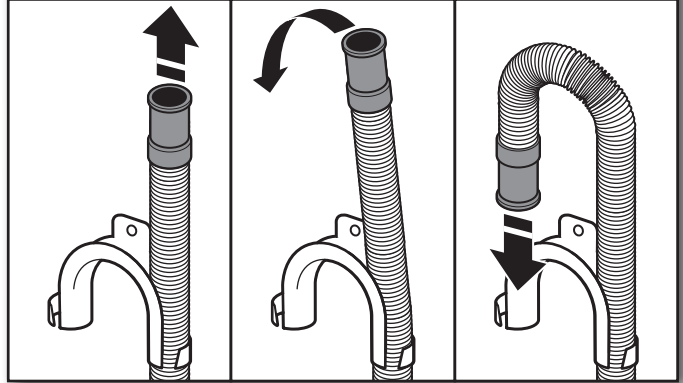
Proper routing of the drain hose protects your floor from damage due to water leakage. Read and follow these instructions.

5. Remove drain hose from washer



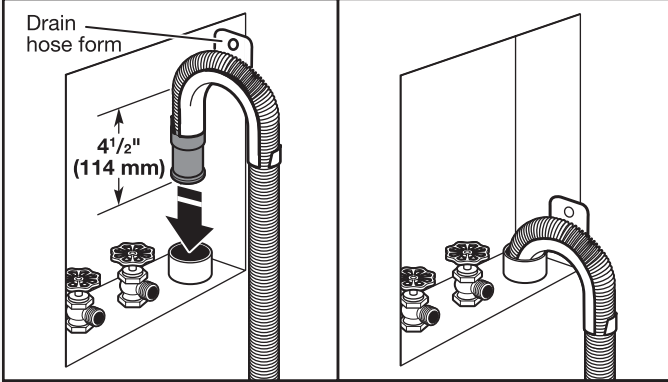
Gently pull the corrugated drain hose from the shipping clips.

6. Connect laundry tub drain or standpipe drain hose form (floor drain installations only)



For floor drain installations, you will need to connect the drain hose form to the end of the drain hose. You may need additional parts with separate directions. See "Alternate Parts."

7. Place drain hose in standpipe



Place hose into standpipe (shown in picture) or over side of laundry tub.

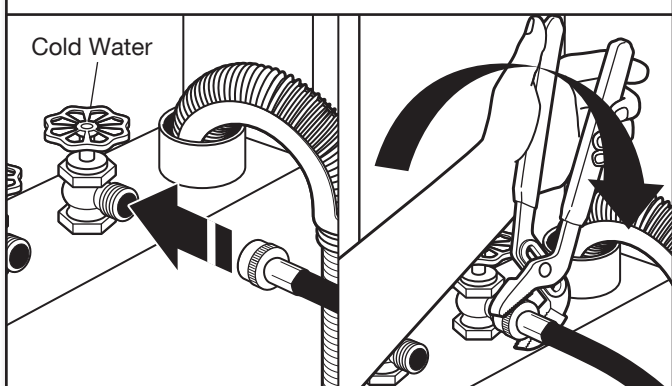
IMPORTANT: Only 4½" (114 mm) of drain hose should be inside standpipe; do not force excess hose into standpipe or lay on bottom of laundry tub. Drain hose form must be used.

Connect Inlet Hose

Washer must be connected to the cold water faucet with a new inlet hose with a flat washer. Do not use the old hose.

NOTE: Hose must be attached and have water flowing to inlet valve.

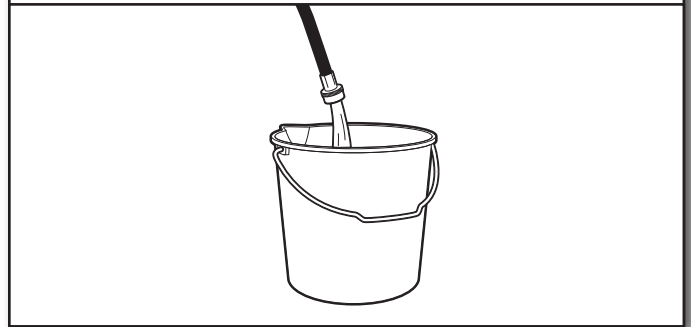
8. Connect inlet hose to water faucet



Attach hose to cold water faucet. Screw on coupling by hand until it is seated on washer. Use pliers to tighten couplings an additional two-thirds turn.

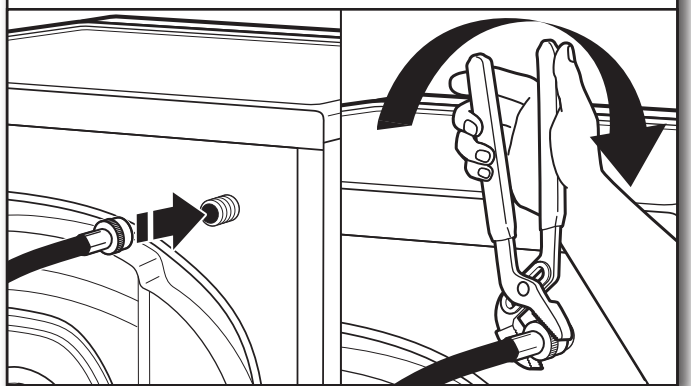
IMPORTANT: Do not overtighten or use tape or sealants on valve when attaching to faucet or washer. Damage can result.

9. Clear water line



Run water for a few seconds through hose into a laundry tub, drainpipe, or bucket to avoid clogs. Water should run until clear.

10. Connect inlet hose to washer

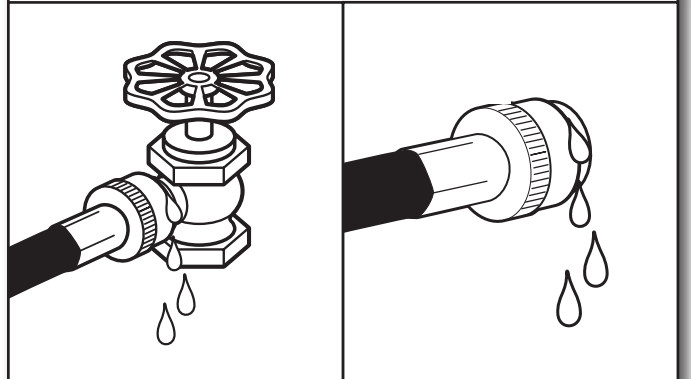


Attach water hose to water inlet valve. Screw coupling by hand until it is snug. Use pliers to tighten coupling an additional two-thirds turn.

IMPORTANT: To reduce risk of hose failure, replace the hose every 5 years. Record hose installation or replacement dates for future reference.

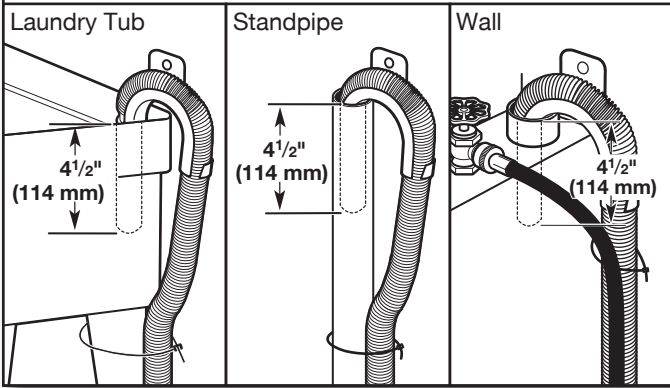
- Periodically inspect and replace hose if bulges, kinks, cuts, wear, or leaks are found.

11. Check for leaks



Slowly turn on water faucet to check for leaks. A small amount of water may enter washer. It will drain later.

12. Secure drain hose

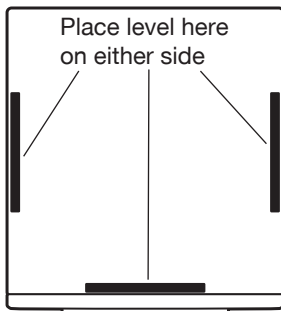


Secure drain hose to laundry tub leg, drain standpipe, or inlet hose for wall standpipe with cable tie.

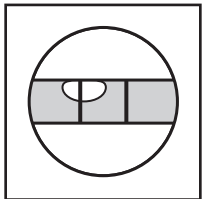
Level Washer

Leveling your washer properly reduces excess noise and vibration.

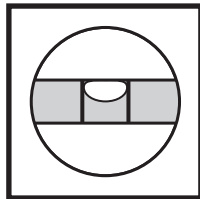
13. Check levelness of washer



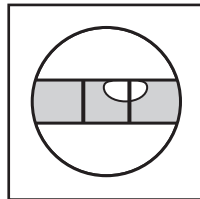
Remove cardboard from beneath washer. Place a level on top edges of washer, checking each side and front. If not level, tip washer and adjust feet up or down as shown in steps 15 and 16, repeating as necessary.



Not Level

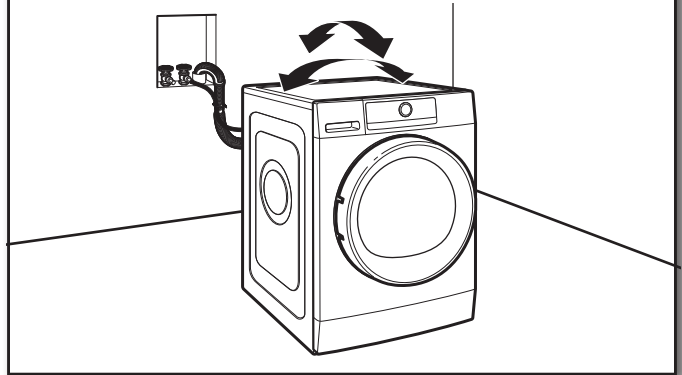


LEVEL



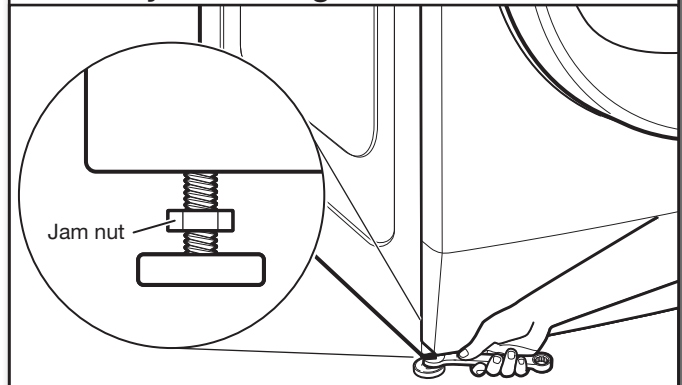
Not Level

14. Rock washer to test foot contact



Grip washer from top and rock back and forth, making sure all four feet are firmly on floor. Repeat, rocking washer from side to side. If washer rocks, go to Step 15 and adjust leveling feet. If all four feet are in firm contact with floor, go to Step 17.

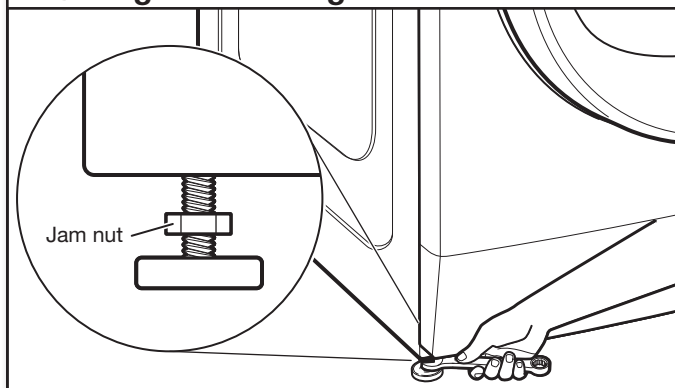
15. Adjust leveling feet



If washer is not level, use a 1/2" (13 mm) open-end or adjustable wrench to turn jam nuts clockwise on feet until they are about 1/2" (13 mm) from the washer cabinet. Then turn the leveling foot clockwise to lower the washer or counterclockwise to raise the washer. Recheck levelness of washer and that all four feet are firmly in contact with the floor. Repeat as needed.

HELPFUL TIP: You may want to prop up front of washer about 4" (102 mm) with a wood block or similar object that will support weight of washer.

16. Tighten leveling feet



When washer is level and all four feet are firmly in contact with the floor, use a 1/2" (13 mm) open-end or adjustable wrench to turn jam nuts counterclockwise on leveling feet tightly against washer cabinet.

HELPFUL TIP: You may want to prop washer with wooden block.

⚠ WARNING



Electrical Shock Hazard

Plug into a grounded 3 prong outlet.

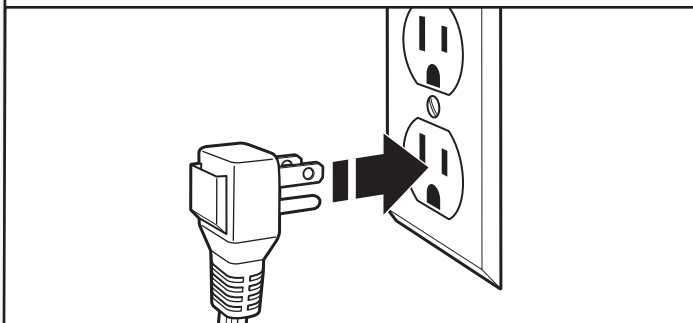
Do not remove ground prong.

Do not use an adapter.

Do not use an extension cord.

Failure to follow these instructions can result in death, fire, or electrical shock.

17. Plug into a grounded 3 prong outlet






Complete Installation Checklist

- Check electrical requirements. Be sure you have correct electrical supply and recommended grounding method.
- Check that all parts are now installed. If there is an extra part, go back through steps to see what was skipped.
- Check that you have all of your tools.
- Check that transport bolts were completely removed from back of washer.
- Check that hose is attached and water faucet is on.
- Check for leaks around faucet, valve, and inlet hose.
- Remove any tape remaining on washer.
- Check that washer is plugged into a grounded 3 prong outlet.
- Dispose of/recycle all packaging materials.
- Read "Using Your Washer."
- To test and clean your washer, turn on the washer and choose the Normal cycle and run it without clothes. Use only HE detergent. Use 1/2 the manufacturer's recommended amount for a medium-size load.




TROUBLESHOOTING

First try the solutions suggested here or visit our website at www.whirlpool.com/product_help –
In Canada www.whirlpool.ca for assistance and to possibly avoid a service call.

| If you experience | Possible Causes | Solution |
|---|---|--|
| Error Code Appears in Display | | |
| Once any possible issues are corrected, touch the POWER button once to clear the code. Re-select and restart the cycle. | | |
|  (Water tap closed) | No or not sufficient water supply because: <ul style="list-style-type: none"> ■ Water faucet is closed. ■ There are kinks in inlet hose. ■ Water faucet pressure is too low. ■ Mesh filters in inlet hose are clogged. ■ Water inlet hose is frozen up. | Open the water faucet. Make sure there are no kinks in the inlet hose. Make sure water pressure is sufficient. Clean the mesh filters in the inlet hose. Install the washer at an ambient temperature of at least 41°F (5°C). After the problem has been corrected, touch the START/PAUSE button. If the problem persists, touch and hold the POWER button for at least 3 seconds. |
|  (Clean filter) | Waste water is not pumped out because: <ul style="list-style-type: none"> ■ There are kinks in drain hose. ■ Drain hose is blocked or frozen up. ■ Filter is blocked. ■ Pump is blocked. | Check the drain hose for kinks. Install the washer at an ambient temperature of at least 41°F (5°C). Clean the drain pump filter as described in the “Cleaning the Drain Pump Filter/Draining Residual Water” section. After the problem has been corrected, touch the START/PAUSE button. If the problem persists, touch and hold the POWER button for at least 3 seconds. |
|  (Door open indicator blinks) | The door cannot lock. | Firmly press the door in the area of the door lock to properly close it. Then touch the START/PAUSE button. If the problem persists, touch and hold the POWER button for at least 3 seconds. |
| FdL (or F29) | The door cannot unlock. | Firmly press the door in the area of the door lock. Then touch and hold the POWER button for at least 3 seconds. If the Hot cycle is selected, wait until cool down and touch and hold the POWER button again for at least 3 seconds. Turn on the washer. If the failure still appears, check and eventually correct the possible cause as indicated for the “Clean filter” error code. Then turn on the washer again. If the door does not unlock, touch and hold the POWER button for at least 3 seconds. If the door still does not unlock, refer to the “How to Open Door in Case of Failure” section. Before draining water/ opening the door, wait until the water has cooled down (for hot wash programs). |
| Fod | Excessive foam formation (maybe by overdosage of detergent) interrupted the program/cycle. This interruption may be repeated several times until foam is adequately reduced. | Start the Rinse & Spin program, with the Intensive Rinse option. Follow the detergent manufacturer’s dosing recommendations. Use the Dosing Aid option. Make sure the drain pump filter is clean. |

TROUBLESHOOTING

First try the solutions suggested here or visit our website at www.whirlpool.com/product_help –
In Canada www.whirlpool.ca for assistance and to possibly avoid a service call.

| If you experience | Possible Causes | Solution |
|--|---|---|
| Error Code Appears in Display (cont.) | | |
|  (service) F20 or F60 | Failure of an electronic component. | Turn off and unplug the washer. Close the water faucet. See the “Assistance or Service” section to contact a service representative. |
|  (service) F24 | Too much laundry for a program/cycle with a small maximum load. | Select and start the Rinse & Spin program to complete the interrupted wash program/cycle. Do not overload the washer. Follow the maximum load size indicated in the “Program/Cycle Guide” section. |
| | Too much inlet water. | Turn off the water faucet. Touch and hold the POWER button for at least 3 seconds to drain the water; wait until the drain phase has ended (“End” will appear on the display). Turn on the water faucet again. If water immediately flows into the washer without a program/cycle being started, an electrical component has failed. Close the water faucet, turn off and unplug the washer. See the “Assistance or Service” section to contact a service representative. |
|  (service) All other F.. failures | Failure of an electrical component. | Touch and hold the POWER button for at least 3 seconds to reset the control. If the problem persists, turn off and unplug the washer. Close the water faucet. See the “Assistance or Service” section to contact a service representative. |

TROUBLESHOOTING

First try the solutions suggested here or visit our website at www.whirlpool.com/product_help –
In Canada www.whirlpool.ca for assistance and to possibly avoid a service call.

| If you experience | Possible Causes | Solution |
|---|---|---|
| Vibration or Off-Balance | | |
| Vibration, rocking, or “walking” | Feet may not be in contact with the floor and locked. | Front and rear feet must be in firm contact with floor, and washer must be level to operate properly. Jam nuts must be tight against the bottom of the cabinet. |
| | Washer may not be level. | Check floor for flexing or sagging. If flooring is uneven, a 3/4" (19 mm) piece of plywood under your washer will reduce sound. Do not install washer on a raised wooden platform. See “Level the Washer” in “Installation Instructions.” |
| | Load could be unbalanced or too large. | Avoid tightly packing the load. Avoid washing single items. Balance a single item such as a rug or jeans jacket with a few extra items. Item or load not suitable for selected cycle. See “Cycle Guide” and “Using Your Washer.” |
| | The shipping bolts are still in the back of the washer. | See “Remove transport bolts from washer” in “Installation Instructions.” |
| Noises | | |
| Clicking or metallic noises | Door locking or unlocking. | The door will lock unlock and lock again. You will hear three clicks after touching and holding the Start/Pause button. This is normal. |
| | Objects caught in washer drain system. | Empty pockets before washing. Loose items such as coins could fall between washer drum and tub or may block pump. It may be necessary to call for service to remove items. It is normal to hear metal items on clothing such as metal snaps, buckles, or zippers touch against the stainless steel drum. |
| Gurgling or humming | Washer may be draining water. | The pump may make a humming sound with periodic gurgling or surging as final amounts of water are removed during the spin/drain cycles. This is normal at certain stages of the cycle. |
| Rolling or sloshing and occasional clicking (on low-speed spin) | Steel balls in the balancing system are balancing the load. | This is normal at certain stages of the cycle. |
| Water Leaks | | |
| Check the following for proper installation | Fill hose not attached tightly. | Tighten fill-hose connection. |
| | Fill hose washer. | Properly seat both fill-hose flat washers. |
| | Drain hose connection. | Check that the drain hose is properly secured to drainpipe or laundry tub. |
| | Check household plumbing for leaks or clogged sink or drain. | Water can back up out of a clogged sink or drainpipe. Check all household plumbing for leaks (laundry tubs, drain pipe, water pipes, and faucet.) |
| | Strainer (or nylon stocking) on end of drain hose is clogged. | Remove strainer/stocking from drain hose. |

TROUBLESHOOTING

First try the solutions suggested here or visit our website at www.whirlpool.com/product_help –
In Canada www.whirlpool.ca for assistance and to possibly avoid a service call.

| If you experience | Possible Causes | Solution |
|--|---|--|
| Water Leaks (cont.) | | |
| Water or suds leaking from door or rear of cabinet | Not using HE detergent or using too much HE detergent. | Only use HE detergent. Suds from regular detergents can cause leaking from the door or rear of cabinet. Always measure detergent and follow manufacturer's directions based on your load requirements. |
| | Residue on door glass. | Periodically clean the underside of the glass window to avoid potential leaks. |
| Leaking around door | Hair, lint, or other debris on inner door glass preventing proper seal with rubber door seal. | Clean inner door glass and seal. See "Cleaning the Door Seal" in the "Washer Maintenance" section. |
| Washer not performing as expected | | |
| Load not completely covered in water | Water level not visible on door or does not cover clothes. | This is normal for an HE front-load washer. The washer senses load sizes and adds the correct amount of water for optimal cleaning. |
| Washer won't run or fill; washer stops working | Check for proper water supply. | Hose must be attached and have water flowing to the inlet valve. |
| | | Water faucet must be turned on. |
| | | Check that inlet valve screen has not become clogged. |
| | | Check for any kinks in inlet hose, which can restrict water flow. |

⚠ WARNING



Electrical Shock Hazard

Plug into a grounded 3 prong outlet.

Do not remove ground prong.

Do not use an adapter.

Do not use an extension cord.

Failure to follow these instructions can result in death, fire, or electrical shock.

| | | |
|--|---------------------------------|---|
| Washer won't run or fill; washer stops working (cont.) | Check proper electrical supply. | Plug power cord into a grounded 3 prong outlet. |
| | | Do not use an extension cord. |
| | | Ensure there is power to outlet. |
| | | Do not plug into a GFI (Ground Fault Circuit Interrupter). |
| | | Check electrical source or call an electrician to check if voltage is low. |
| | | Reset a tripped circuit breaker. Replace any blown fuses. NOTE: If problems continue, contact an electrician. |

TROUBLESHOOTING

First try the solutions suggested here or visit our website at www.whirlpool.com/product_help –
In Canada www.whirlpool.ca for assistance and to possibly avoid a service call.

| If you experience | Possible Causes | Solution |
|---|--|--|
| Washer not performing as expected (cont.) | | |
| Washer won't run or fill; washer stops working (cont.) | Normal washer operation. | Door must be completely closed and latched for washer to run. |
| | | Washer will pause during certain phases of cycle. Do not interrupt cycle. |
| | | The washer pauses for about 2 minutes during certain cycles. Allow the cycle to continue. Some cycles feature periods of tumbling and soak. |
| | | Washer may be stopped to reduce suds. Use only a proper amount of HE detergent. |
| | | Cold Wash uses less water in the beginning of the cycle to provide a high concentration of detergent for optimal cleaning action. Following this concentrated tumbling, more water is used to complete the wash. |
| | The washer door is not firmly shut. | The door must be closed during operation. |
| | Washer not loaded as recommended. | Remove several items, rearrange load evenly in washer drum. Close door and touch and hold the START/PAUSE button. |
| | | Do not add more than one or two additional items after cycle has started to avoid tightly packing or unbalancing. |
| | | Do not add more water to the washer. |
| | Not using HE detergent or using too much HE detergent. | Only use HE detergent. Suds from regular detergents can slow or stop the washer. Always measure detergent, following manufacturer's directions based on your load requirements. |
| To remove suds, cancel cycle. Select Rinse & Spin. Touch the START/PAUSE button. Do not add more detergent. | | |
| Door not opened between cycles. | After any wash cycle is completed, the door must be opened and then closed before a new cycle can begin. | |
| Washer stops during the program/cycle and the Start/Pause indicator blinks | It is the end of the program/cycle and Rinse Hold is activated. | Turn the knob to a spin speed, if desired; otherwise, rinse water will be drained and the program/cycle ended. |
| | The program/cycle was interrupted (for example by the door being opened). | Make sure the door is closed. Touch the START/PAUSE button to continue with the program/cycle. |
| | The safety system has been activated. A failure indicator will light up and/or the display will show a failure code. | Refer to "Error Codes" at the beginning of "Troubleshooting." |
| | Water faucet is closed. | Make sure the water faucet is open and that there are no kinks in the inlet hose. |
| Washer not draining/spinning; loads are still wet | Drain hose extends into standpipe farther than 4.5" (114 mm). | Check drain hose for proper installation. Use drain hose form and securely attach to drainpipe or tub. Do not tape over drain opening. |
| | The drain hose is clogged, or the end of the drain hose is more than 49" (1.3 m) above the floor. | Lower drain hose if the end is higher than 49" (1.3 m) above the floor. Remove any clogs from drain hose. See "Installation Requirements" in "Installation Instructions." |
| | Strainer/stocking on end of drain hose. | Remove strainer/stocking from drain hose. |
| | The drain hose fits too tightly in the standpipe or is taped to the standpipe. | The drain hose should be loose, yet fit securely. Do not seal the drain hose with tape. The hose needs an air gap. See "Route Drain Hose" in "Installation Instructions." |

TROUBLESHOOTING

First try the solutions suggested here or visit our website at www.whirlpool.com/product_help –
In Canada www.whirlpool.ca for assistance and to possibly avoid a service call.

| If you experience | Possible Causes | Solution |
|---|---|---|
| Washer not performing as expected (cont.) | | |
| Washer not draining/spinning; loads are still wet (cont) | Using cycles with a lower spin speed. | Cycles with lower spin speeds remove less water than cycles with high spin speeds. Use the recommended cycle/spin speed for your garment. |
| | Washer not loaded as recommended. | A tightly packed or unbalanced load may not allow the washer to spin correctly, leaving the load wetter than normal. See “Cycle Guide” for load size recommendation for each cycle. |
| | The load may be out of balance. | Avoid washing single items. Balance a single item such as a rug or jeans jacket with a few extra items. |
| | Not using HE detergent or using too much HE detergent. | Use only HE detergent. Suds from regular detergent or using too much detergent can slow or stop draining or spinning. Always measure and follow manufacturer’s directions for your load. To remove extra suds, select Rinse & Spin. Do not add detergent. |
| | Small items may have been caught in the pump or stuck between the washer drum and the outer tub. | Check the drum for any items sticking through the drum holes. Empty pockets and use garment bags when washing small items. |
| Washer vibrates during spinning | Transport bolts have not been removed. | Remove transport bolts (see “Installation Instructions”). |
| | Washer is not level. | Adjust leveling feet (see “Installation Instructions”). Make sure washer stands on a level and firm surface. |
| Spin speed “0” blinks on the control panel and/or laundry is still very wet | An unbalanced load prevented the Spin cycle to avoid damage to the washer. | To spin wet laundry, add more laundry items of different sizes and start the Rinse & Spin program. Avoid small laundry loads consisting of a few large, absorbent items and wash different-sized items in one load. |
| Spin results are poor | Spin button was set to a low speed. | Set a higher spin speed. |
| | An unbalanced load prevented the Spin cycle. | See the solution for “Spin speed “0” blinks.” |
| | Excessive foam formation prevented spinning. | Start the Rinse & Spin” program. Avoid excessive amount of detergent; use the Dosing Aid option. |
| Door locked at end of wash cycle | Water remaining in washer after cycle. | Select Rinse & Spin to remove any water remaining in the washer. The washer door will unlock at the end of the drain. |
| | TumbleFresh™ option is on. | While this option is on, the load is tumbled periodically for up to 6 hours. The door remains locked during this time. To unlock the door, cancel the TumbleFresh™ option by touching the POWER button. |
| Door will not unlock | Water did not completely drain out of washer during the spin. | Select Rinse & Spin to remove any water remaining in the washer. The washer door will unlock at the end of the drain. It will take 1 minute for the door to unlock. |
| | Error code is displayed. | Failure mode will lock the door. Touch the START/PAUSE button to exit; then wait for the door to unlock. |
| | Water temperature is hotter than 104°F (40°C). | Wait for the water temperature to drop. |
| Incorrect or wrong wash or rinse temperatures | Check for proper water supply. | Hose must be attached to both washer and faucet, and have water flowing to inlet valve. |
| | | Check that inlet valve screen is not clogged. |
| | Remove any kinks in hose. | |
| | Washing many loads. | Your hot water tank may not have enough hot water to keep up with the number of hot or warm washes. This is normal. |
| Desired setting or option does not light | For best performance, not all settings are available with each cycle, and some options cannot be used together. | See the “Program/Cycle Guide” for the available settings and options for each cycle. |

TROUBLESHOOTING

First try the solutions suggested here or visit our website at www.whirlpool.com/product_help –
In Canada www.whirlpool.ca for assistance and to possibly avoid a service call.

| If you experience | Possible Causes | Solution |
|--|--|---|
| Washer not performing as expected (cont.) | | |
| Load not rinsed | Check for proper water supply. | Hose must be attached and have water flowing to the inlet valve. |
| | | Water faucet must be on. |
| | | Inlet valve screen on washer may be clogged. |
| | | Remove any kinks in the inlet hose. |
| | Not using HE detergent or using too much HE detergent. | The suds from non-HE detergent can cause the washer to operate incorrectly. |
| | | Use only HE detergent. Always measure detergent and follow manufacturer's directions based on load size and soil level. |
| | Washer not loaded as recommended. | Avoid tightly packing the washer. The washer will not rinse well if tightly packed. Load with dry items only. See "Cycle Guide" for load size recommendations for each cycle. |
| Use cycle designed for the fabrics being washed. | | |
| Add only one or two garments after washer has started. | | |
| The load may be out of balance. | When load unbalance occurs, a washing process will start to redistribute the load. This may lengthen the cycle time. Avoid washing single items. Balance a single item such as a rug or jeans jacket with a few extra items. | |
| Load is wrinkled, twisted, or tangled | Washer not loaded as recommended. | Add load loosely. Items need to move freely reduce wrinkling and tangling. See "Cycle Guide" for load size recommendations for each cycle. |
| | | Reduce tangling by mixing types of load items. Use the recommended cycle for the type of garments being washed. |
| | Spin speed too high for load. | Select a lower spin speed. Note that items will be wetter than when using a higher spin speed. |
| | The washer is not unloaded promptly. | Unload the washer as soon as it stops or use the TumbleFresh™ option if you will not be able to unload the washer at the end of the cycle. |
| | Not choosing the right cycle for the load being washed. | Use the Delicates cycle or another cycle with a low spin speed to reduce wrinkling. |
| | The wash water was not warm enough to relax wrinkles. | If safe for load, use warm or hot wash water. |
| Not cleaning or removing stains | Washer not loaded as recommended. | Add load loosely. Items need to move freely for best cleaning. See "Cycle Guide" for load size recommendations for each cycle. |
| | | Add only one or two garments after washer has started. |
| | Not using HE detergent or using too much HE detergent. | Use only HE detergent. Always measure detergent and follow manufacturer's directions based on load size and soil level. |
| | Hard water or high level of iron (rust) in water. | You may need to install a water softener and/or iron filter. |
| | Fabric softener dispensing ball used. | Dispensing balls will not operate correctly with this washer. Add liquid fabric softener to the fabric softener compartment. |
| | Powdered detergent used for low-speed cycle. | Consider using liquid detergent. |

TROUBLESHOOTING

First try the solutions suggested here or visit our website at www.whirlpool.com/product_help –
In Canada www.whirlpool.ca for assistance and to possibly avoid a service call.

| If you experience | Possible Causes | Solution |
|--|---|---|
| Washer not performing as expected (cont.) | | |
| Not cleaning or removing stains (cont.) | Not using correct cycle for fabric type. | Use a warmer wash temperature to improve cleaning. |
| | | If using Quick Wash cycle, wash only a few items. |
| | | Use Heavy Duty cycle for tough cleaning. |
| | | Add an extra rinse for heavily soiled loads. |
| | Not using dispensers. | Use dispensers to avoid fabric softener staining. |
| | | Load dispensers before starting a cycle. |
| | | Avoid overfilling. |
| | Not washing like colors together. | Wash like colors together and remove promptly after the cycle is complete to avoid dye transfer. |
| Not enough detergent used, or hard water. | Use more detergent for washing heavy soils in cold or hard water. | |
| Odors | Monthly maintenance not done as recommended. | Run the Clean Washer with affresh® cycle monthly or every 30 wash cycles. See “Washer Care” in “Washer Maintenance.” |
| | | Unload washer as soon as cycle is complete. Use the TumbleFresh™ option if load cannot be removed immediately after the wash is complete. |
| | Not using HE detergent or using too much HE detergent. | Use only HE detergent. Be sure to measure correctly. Always follow the manufacturer’s directions. |
| | | See the “Using Your Washer” section. |
| Door not left open after use. | This washer has a tight seal to avoid water leaks. To avoid odors, leave the door open to allow the washer to dry between uses. | |
| Fabric damage | Sharp items were in pockets during wash cycle. | Empty pockets, zip zippers, and snap or hook fasteners before washing to avoid snags and tears. |
| | Strings and straps could have tangled. | Tie all strings and straps before starting wash load. |
| | Items may have been damaged before washing. | Mend rips and broken threads in seams before washing. |
| | Fabric damage can occur if washer is tightly packed. | Avoid tightly packing the washer. Load with dry items only. |
| | | Use cycle designed for the fabrics being washed. |
| | | Add only one or two garments after washer has started. |
| | Fabric damage can occur if washer door is closed on an item, trapping it between the door glass and the rubber seal. | Do not overfill the washer. |
| | | Push wash load fully into the washer. |

TROUBLESHOOTING

First try the solutions suggested here or visit our website at www.whirlpool.com/product_help –
In Canada www.whirlpool.ca for assistance and to possibly avoid a service call.

| If you experience | Possible Causes | Solution |
|--|---|---|
| Washer not performing as expected (cont.) | | |
| Gray whites, dingy colors | Load not sorted properly. | The transfer of dye can occur when mixing whites and colors in a load. Sort dark clothes from whites and lights. |
| | Wash temperatures too low. | Use hot or warm temperatures if safe for the load. Make sure your hot water system is adequate to provide a hot water wash. |
| | Not enough detergent used, or hard water. | Use more detergent for washing heavy soils in cold or hard water. |
| Incorrect dispenser operation | Clogged dispensers or laundry products dispensing too soon. | Do not overfill dispenser. Overfilling causes immediate dispensing. |
| | | Load dispensers before starting a cycle. |
| | | Homes with low water pressure may result in residual powder in the dispenser. To avoid, select a warmer wash temperature if possible, depending on your load. |
| | Water in dispenser after cycle has finished. | It is normal for small amounts of water to remain in dispenser at the end of the cycle. |
| Detergent dispenser contains detergent residue after program ends | Inlet water pressure is too low; the mesh filter of the water supply hose may be blocked. | Make sure the water faucet is properly opened. Check the mesh filters of the inlet hose and clean if necessary. |
| Single-dose laundry packet not dissolving | Adding laundry packet incorrectly. | Be sure laundry packet is added to washer drum before adding clothes. Do not add packet to dispenser. Follow the manufacturer's instructions to avoid damage to your garments. |
| Cycle time changes or cycle time too long | Normal washer operation. | The cycle times vary automatically based on your water pressure, water temperature, detergent, and clothes load. The options you select will also affect the cycle times. |
| | Excessive suds in washer. | When excessive suds are detected, a special suds routine automatically starts to remove extra suds and ensure proper rinsing of your garments. This routine will add time to the original cycle. |
| | Load may be out of balance. | When load unbalance occurs, a washing process will start to redistribute the load. This extends the cycle time. Avoid washing single items. Balance a single item such as a rug or jeans jacket with a few extra items. |
| | Not using correct cycle for load type. | The Quick Wash cycle is designed for smaller load sizes (2–4 items) of lightly soiled garments. If larger loads are washed in this cycle, cycle time will be increased. |
| When using the Quick Wash or Delicates cycles, you should wash small loads. This ensures a gentle wash for your garments without increasing cycle times. | | |
| Liquid detergent on door glass prior to beginning of cycle | Detergent is free to flow from the single-dose dispenser. | Do not add liquid detergent until laundry is loaded. |

⚠ WARNING



Electrical Shock Hazard

Disconnect power before servicing.

Replace all parts and panels before operating.

Failure to do so can result in death or electrical shock.

HOW TO OPEN DOOR IN CASE OF POWER FAILURE

Before opening the door as described below, refer to the failure “Door will not unlock” in the “Troubleshooting” section. The door may unlock by itself after the failure condition no longer exists; however, if you want to take out your laundry immediately, first try to unlock the door as described in Error Code FdL or F29 in the “Troubleshooting” section.

If the door still cannot be opened, perform the following:

Before Opening Door:

- Turn off and unplug the washer.
- Close the water faucet.
- Wait until the drum has stopped rotating – never open the door while the drum is in motion.
- Wait until water and laundry have cooled down when washing with high temperatures.

Always drain the water before opening the door either by:

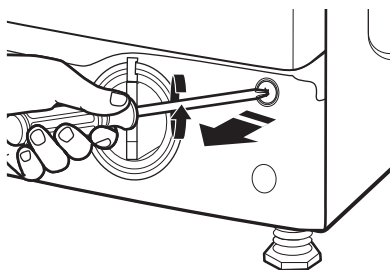
- Touching and holding the Power button until “rES” appears on the display.

or

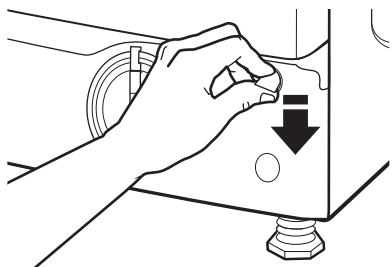
- Following the instructions in the “Cleaning the Drain Pump Filter/Draining Residual Water” section.

To Open Door:

1. Remove the screw.

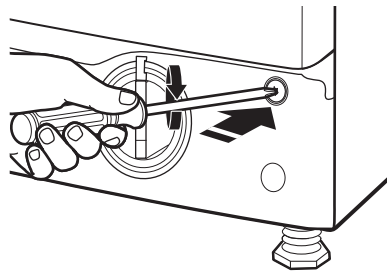


2. Pull down on the strap marked “Door open.” The door can now be opened and the laundry removed.

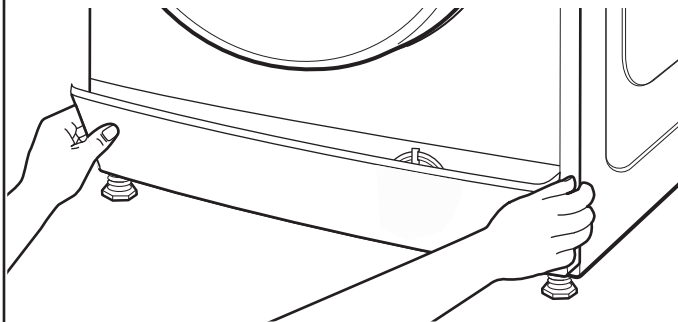


HOW TO OPEN DOOR IN CASE OF POWER FAILURE (cont.)

3. After removing laundry, replace the strap by firmly turning the screw.



4. Reinstall the base panel.



WHIRLPOOL® LAUNDRY LIMITED WARRANTY

ATTACH YOUR RECEIPT HERE. PROOF OF PURCHASE IS REQUIRED TO OBTAIN WARRANTY SERVICE.
Please have the following information available when you call the Customer eXperience Center:

- Name, address, and telephone number
- Model number and serial number
- A clear, detailed description of the problem
- Proof of purchase including dealer or retailer name and address

IF YOU NEED SERVICE:

1. Before contacting us to arrange service, please determine whether your product requires repair. Some questions can be addressed without service. Please take a few minutes to review the Troubleshooting section of the Use and Care Guide or visit the "HOW-TOS & FAQS" section of <https://www.whirlpool.com/owners.html>.
2. All warranty service is provided exclusively by our authorized Whirlpool Service Providers.
In the U.S. and Canada, direct all requests for warranty service to:

Whirlpool Customer eXperience Center

In the U.S.A. call 1-866-698-2538. In Canada call 1-800-807-6777.

If outside the 50 United States and Canada, contact your authorized Whirlpool dealer to determine if another warranty applies.

ONE YEAR LIMITED WARRANTY

WHAT IS COVERED

For one year from the date of purchase, when this major appliance is installed, operated, and maintained according to instructions attached to or furnished with the product, Whirlpool Corporation or Whirlpool Canada LP (hereafter "Whirlpool") will pay for Factory Specified Replacement Parts and repair labor to correct defects in materials or workmanship that existed when this major appliance was purchased, or at its sole discretion replace the product. In the event of product replacement, your appliance will be warranted by the remaining term of the original unit's warranty period.

YOUR SOLE AND EXCLUSIVE REMEDY UNDER THIS LIMITED WARRANTY SHALL BE PRODUCT REPAIR AS PROVIDED HEREIN. Service must be provided by a Whirlpool designated service company. This limited warranty is valid only in the United States or Canada and applies only when the major appliance is used in the country in which it was purchased. This limited warranty is effective from the date of original consumer purchase. Proof of original purchase date is required to obtain service under this limited warranty.

WHAT IS NOT COVERED

1. Commercial, non-residential, multiple-family use, or use inconsistent with published user, operator, or installation instructions.
2. In-home instruction on how to use your product.
3. Service to correct improper product maintenance or installation, installation not in accordance with electrical or plumbing codes, or correction of household electrical or plumbing (e.g., house wiring, fuses, or water inlet hoses).
4. Consumable parts (e.g., light bulbs, batteries, air or water filters, preservation solutions).
5. Defects or damage caused by the use of non-genuine Whirlpool parts or accessories.
6. Conversion of your product from natural gas or propane gas or reversal of appliance doors.
7. Damage from accident, misuse, abuse, fire, floods, acts of God, or use with products not approved by Whirlpool.
8. Repairs to parts or systems to correct product damage or defects caused by unauthorized service, alteration, or modification of the appliance.
9. Cosmetic damage including scratches, dents, chips, and other damage to appliance finishes unless such damage results from defects in materials and workmanship and is reported to Whirlpool within 30 days.
10. Discoloration, rust, or oxidation of surfaces resulting from caustic or corrosive environments, including but not limited to, high salt concentrations, high moisture or humidity, or exposure to chemicals.
11. Pick-up or delivery. This product is intended for in-home repair.
12. Travel or transportation expenses for service in remote locations where an authorized Whirlpool servicer is not available.
13. Removal or reinstallation of inaccessible appliances or built-in fixtures (e.g., trim, decorative panels, flooring, cabinetry, islands, countertops, drywall) that interfere with servicing, removal, or replacement of the product.
14. Service or parts for appliances with original model/serial numbers removed, altered, or not easily determined.

The cost of repair or replacement under these excluded circumstances shall be borne by the customer.

DISCLAIMER OF IMPLIED WARRANTIES

IMPLIED WARRANTIES, INCLUDING ANY IMPLIED WARRANTY OF MERCHANTABILITY OR IMPLIED WARRANTY OF FITNESS FOR A PARTICULAR PURPOSE, ARE LIMITED TO ONE YEAR OR THE SHORTEST PERIOD ALLOWED BY LAW. Some states and provinces do not allow limitations on the duration of implied warranties of merchantability or fitness, so this limitation may not apply to you. This warranty gives you specific legal rights, and you also may have other rights that vary from state to state or province to province.

DISCLAIMER OF REPRESENTATIONS OUTSIDE OF WARRANTY

Whirlpool makes no representations about the quality, durability, or need for service or repair of this major appliance other than the representations contained in this Warranty. If you want a longer or more comprehensive warranty than the limited warranty that comes with this major appliance, you should ask Whirlpool or your retailer about buying an extended warranty.

LIMITATION OF REMEDIES; EXCLUSION OF INCIDENTAL AND CONSEQUENTIAL DAMAGES

YOUR SOLE AND EXCLUSIVE REMEDY UNDER THIS LIMITED WARRANTY SHALL BE PRODUCT REPAIR AS PROVIDED HEREIN. WHIRLPOOL SHALL NOT BE LIABLE FOR INCIDENTAL OR CONSEQUENTIAL DAMAGES. Some states and provinces do not allow the exclusion or limitation of incidental or consequential damages, so these limitations and exclusions may not apply to you. This warranty gives you specific legal rights, and you also may have other rights that vary from state to state or province to province.

Assistance or Service

Before calling for assistance or service, please check “Troubleshooting” or visit www.whirlpool.com/owners. It may save you the cost of a service call. If you still need help, follow the instructions below. When calling, please know the purchase date and the complete model and serial number of your appliance. This information will help us to better respond to your request.

If you need replacement parts or to order accessories

We recommend that you use only FSP® Factory Specified Parts. These parts will fit right and work right because they are made with the same precision used to build every new WHIRLPOOL® appliance.

To locate FSP® replacement parts or accessories, go to www.whirlpoolparts.com.

Questions? Call us toll free at **1-866-698-2538** or in Canada call **1-800-688-2002**.

Our consultants provide assistance with

In the U.S.A.

- Features and specifications on our full line of appliances.
- Installation information.
- Specialized customer assistance (Spanish speaking, hearing impaired, limited vision, etc.).

In the U.S.A. and Canada

- Use and maintenance procedures.
- Accessory and repair parts sales.
- Referrals to local dealers, repair parts distributors, and service companies. Whirlpool designated service technicians are trained to fulfill the product warranty and provide after-warranty service, anywhere in the United States and Canada.

You can write with any questions or concerns at:

Whirlpool Brand Appliances
Customer eXperience Center
553 Benson Road
Benton Harbor, MI 49022-2692
1-866-698-2538

Whirlpool Brand Appliances
Customer eXperience Centre
Unit 200-6750 Century Ave
Mississauga, Ontario L5N 0B7
1-800-688-2002

Please include a daytime phone number in your correspondence.

Assistance ou Service

Avant de faire un appel pour obtenir de l'assistance ou un entretien, vérifier la section “Dépannage” ou consulter www.whirlpool.ca/owners. Cette vérification peut vous faire économiser le coût d'une visite de réparation. Si vous avez encore besoin d'aide, suivre les instructions ci-dessous.

Lors d'un appel, garder à portée de main la date d'achat et les numéros de modèle et de série de votre appareil. Ces renseignements nous aideront à mieux répondre à votre demande.

Pour commander des pièces de rechange ou des accessoires

Pour commander des pièces de rechange, nous vous recommandons d'utiliser seulement des pièces spécifiées par l'usine. Ces pièces conviendront et fonctionneront bien parce qu'elles sont fabriquées selon les mêmes spécifications précises utilisées pour construire chaque nouvel appareil WHIRLPOOL®.

Pour trouver des pièces de rechange FSP® ou des accessoires, visiter le www.whirlpool.ca.

Des questions? Composer le numéro sans frais **1-800-688-2002**.

Nos consultants fournissent l'assistance pour :

- Procédés d'utilisation et d'entretien.
- Vente d'accessoires et de pièces de rechange.
- Références aux concessionnaires, compagnies de service de réparation et distributeurs de pièces de rechange locaux. Les techniciens de service désignés par Whirlpool sont formés pour remplir la garantie des produits et fournir un service après la garantie, partout au Canada.

Pour plus d'assistance

Vous pouvez nous soumettre toute question ou tout problème en écrivant à l'adresse ci-dessous :

Whirlpool Brand Appliances
Centre pour l'eXpérience de la clientèle
Unit 200-6750 Century Ave
Mississauga, Ontario L5N 0B7
1-800-688-2002

Dans votre correspondance, veuillez indiquer un numéro de téléphone où nous pouvons vous joindre dans la journée.