

Installation Instructions Instrucciones de instalación

English / Español

Table of Contents / Índice.....2

Kenmore® Commercial Washer Lavadora comercial

P/N W10918733A

Sears Brands Management Corporation

Hoffman Estates, IL 60179 U.S.A.

www.kenmore.com



TABLE OF CONTENTS

WASHER SAFETY	3
INSTALLATION REQUIREMENTS.....	4
Tools and Parts	4
Location Requirements	4
Drain System.....	5
Electrical Requirements.....	5
INSTALLATION INSTRUCTIONS.....	6
Remove Transport System.....	6
Connect the Inlet Hoses.....	6
Connect the Drain Hose.....	7
Secure the Drain Hose.....	8
Level the Washer	8
Complete Installation	9
USER & SET-UP INSTRUCTIONS.....	10
General User Information.....	10
Control Set-up Procedures	10
Start Operating Setup.....	10
WASHER CARE	13
Cleaning Your Washer	13
Water Inlet Hoses	14
ALTERNATE PARTS & ACCESSORIES	14
Alternate Parts.....	14
Accessories.....	14
Options.....	14
WARRANTY.....	15
ASSISTANCE OR SERVICE.....	BACK COVER

ÍNDICE

SEGURIDAD DE LA LAVADORA	16
REQUISITOS DE INSTALACIÓN	17
Herramientas y piezas	17
Requisitos de ubicación.....	17
Sistema de desagüe	18
Requisitos eléctricos.....	18
INSTRUCCIONES DE INSTALACIÓN.....	19
Eliminación del sistema protector de transporte	19
Conexión de las mangueras de entrada	20
Conexión de la manguera de desagüe	20
Fijación de la manguera de desagüe.....	21
Nivelación de la lavadora.....	22
Complete la instalación	22
INSTRUCCIONES PARA EL USUARIO Y DE PROGRAMACIÓN.....	23
Información general para el usuario	23
Procedimientos de programación del control	23
Comience la programación de funcionamiento.....	24
MANTENIMIENTO DE LA LAVADORA	27
Cómo limpiar la lavadora	27
Mangueras de entrada de agua	28
PIEZAS ALTERNATIVAS Y ACCESORIOS.....	28
Piezas alternativas	28
Accesorios	28
Opciones	28
GARANTÍA	29
AYUDA O SERVICIO TÉCNICO	CONTRAPORTADA

WASHER SAFETY

Your safety and the safety of others are very important.

We have provided many important safety messages in this manual and on your appliance. Always read and obey all safety messages.



This is the safety alert symbol.

This symbol alerts you to potential hazards that can kill or hurt you and others.

All safety messages will follow the safety alert symbol and either the word “DANGER” or “WARNING.”

These words mean:

⚠ DANGER

You can be killed or seriously injured if you don't immediately follow instructions.

⚠ WARNING

You can be killed or seriously injured if you don't follow instructions.

All safety messages will tell you what the potential hazard is, tell you how to reduce the chance of injury, and tell you what can happen if the instructions are not followed.

IMPORTANT SAFETY INSTRUCTIONS

WARNING: To reduce the risk of fire, electric shock, or injury to persons when using the washer, follow basic precautions, including the following:

- Read all instructions before using the washer.
- Do not wash articles that have been previously cleaned in, washed in, soaked in, or spotted with gasoline, dry-cleaning solvents, other flammable, or explosive substances as they give off vapors that could ignite or explode.
- Do not add gasoline, dry-cleaning solvents, or other flammable, or explosive substances to the wash water. These substances give off vapors that could ignite or explode.
- Under certain conditions, hydrogen gas may be produced in a hot water system that has not been used for 2 weeks or more. **HYDROGEN GAS IS EXPLOSIVE.** If the hot water system has not been used for such a period, before using the washing machine, turn on all hot water faucets and let the water flow from each for several minutes. This will release any accumulated hydrogen gas. As the gas is flammable, do not smoke or use an open flame during this time.
- Do not allow children to play on or in the washer. Close supervision of children is necessary when the washer is used near children.
- Before the washer is removed from service or discarded, remove the door or lid.
- Do not reach into the washer if the drum, tub or agitator is moving.
- Do not install or store the washer where it will be exposed to the weather.
- Do not tamper with controls.
- Do not repair or replace any part of the washer or attempt any servicing unless specifically recommended in this manual or in published user-repair instructions that you understand and have the skills to carry out.
- See “Electrical Requirements” for grounding instructions.

SAVE THESE INSTRUCTIONS

State of California Proposition 65 Warnings:

WARNING: This product contains one or more chemicals known to the State of California to cause cancer.

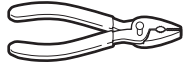
WARNING: This product contains one or more chemicals known to the State of California to cause birth defects or other reproductive harm.

INSTALLATION REQUIREMENTS

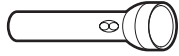
Tools and Parts

Gather the required tools and parts before starting installation. The parts supplied are in the washer drum.

Tools needed for connecting the water inlet hoses

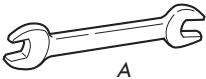


Pliers (that open to 1¹/₁₆" [39.5 mm])



Flashlight (optional)

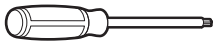
Tools needed for installation



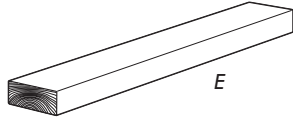
A



D



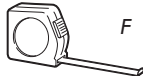
B



E



C

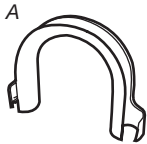


F

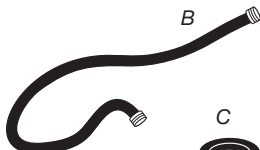
- A. Open end wrenches 1/2" (13 mm) and 9/16" (14 mm)
 B. TORX T20[†] security screwdriver

- C. 1/4" (6 mm) Nut driver
 D. Level
 E. Wood block
 F. Ruler or measuring tape

Parts supplied



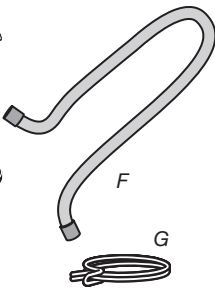
A



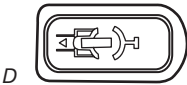
B



C



F



D



E



G

- A. U-shaped hose form
 B. Water inlet hoses (2)
 C. Inlet hose washers (4)
 D. Transit bolt hole plug (4)

- E. Beaded tie strap
 F. Drain hose
 G. Hose clamp

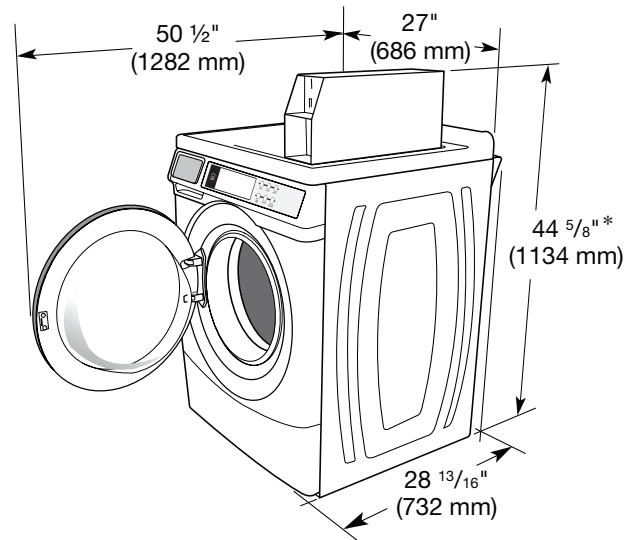
- A level floor with a maximum slope of 1" (25 mm) under entire washer. Installing the washer on soft floor surfaces, such as carpets or surfaces with foam backing, is not recommended.
- A sturdy and solid floor to support the washer with a total weight (water and load) of 400 lbs (180 kg).

Do not operate your washer in temperatures below 32°F (0°C). Some water can remain in the washer and can cause damage in low temperatures.

Installation clearances

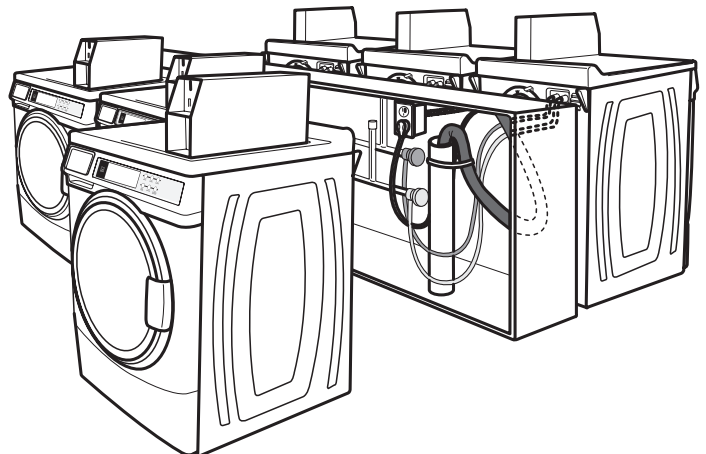
- The location must be large enough to allow the washer door to be fully opened.
- Additional spacing should be considered for ease of installation and servicing. The door opens more than 90°, and it is not reversible.
- Additional clearances might be required for wall, door, and floor moldings.
- Additional spacing of 1" (25 mm) on all sides of the washer is recommended to reduce noise transfer.
- Companion appliance spacing should also be considered.

Washer Dimensions



* Height without leveling feet installed.
 Door is not reversible.

A floor drain should be provided under the bulkhead. Prefabricated bulkheads with electrical outlets, water inlet lines, and drain facilities should be used only where local codes permit.



Location Requirements

Selecting the proper location for your washer improves performance and minimizes noise and possible washer "walk." Your washer can be installed under a custom counter, or in a basement, laundry room, or recessed area. See "Drain System." Companion appliance location requirements should also be considered. Proper installation is your responsibility.

You will need

- A water heater set to deliver 120°F (49°C) water to the washer.
- A grounded electrical outlet located within 6 ft. (1.8 m) of where the power cord is attached to the back of the washer. See "Electrical Requirements."
- Hot and cold water taps located within 4 ft. (1.2 m) of the hot and cold water fill valves, and water pressure of 20–100 psi (137.9–689.6 kPa).

[†]TORX and T20 are registered trademarks of Acument Intellectual Properties, LLC.

Recessed area installation

This washer may be installed in a recessed area. The installation dimensions shown are the minimum spaces allowable. Additional spacing should be considered for ease of installation and servicing. See the chart below.

Installation clearances
(Use recommended clearance for easier installation)

	Recommended/Minimum	
	Back	Sides
Recessed/Undercounter	0"/0" (0 mm)/(0 mm)	1"/0" (25 mm)/(0 mm)

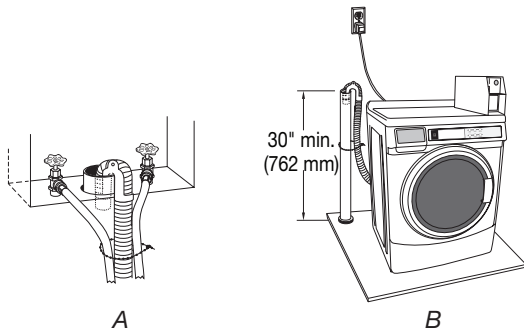
Drain System

The washer can be installed using the standpipe drain system (floor or wall), the laundry tub drain system, or the floor drain system. Select the drain hose installation method you need. See "Tools and Parts."

Standpipe drain system – wall or floor (views A & B)

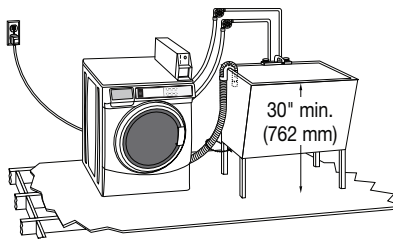
The standpipe drain requires a minimum diameter standpipe of 2" (50 mm). The minimum carry-away capacity can be no less than 12 gal. (45.5 L) per minute, per washer.

The top of the standpipe must be at least 30" (762 mm) high and no higher than 96" (2.4 m) from the bottom of the washer.



Laundry tub drain system

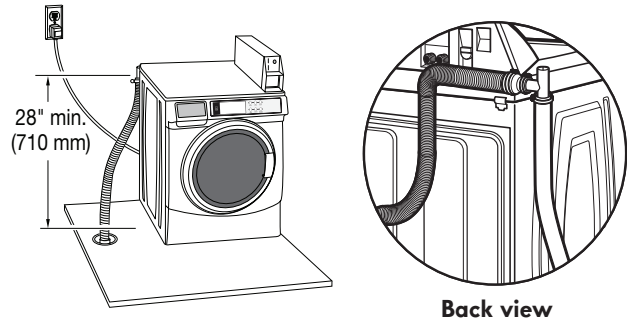
The laundry tub needs a minimum 20 gal. (76 L) capacity. The top of the laundry tub must be at least 30" (762 mm) above the floor.



Floor drain system

The floor drain system requires a siphon break that may be purchased separately. See "Tools and Parts."

The siphon break must be a minimum of 28" (710 mm) from the bottom of the washer. Additional hoses may be needed.



Electrical Requirements

⚠ WARNING



Electrical Shock Hazard

Plug into a grounded 3 prong outlet.

Do not remove ground prong.

Do not use an adapter.

Do not use an extension cord.

Failure to follow these instructions can result in death, fire, or electrical shock.

- A 120-volt, 60 Hz., AC-only, 15- or 20-amp, fused electrical supply is required. A time-delay fuse or circuit breaker is recommended. It is recommended that a separate circuit serving only this washer be provided.
- This washer is equipped with a power supply cord having a 3 prong grounding plug.
- To minimize possible shock hazard, the cord must be plugged into a mating, 3 prong, grounding-type outlet, grounded in accordance with local codes and ordinances. If a mating outlet is not available, it is the personal responsibility and obligation of the customer to have the properly grounded outlet installed by a qualified electrician.
- If codes permit and a separate ground wire is used, it is recommended that a qualified electrician determine that the ground path is adequate.
- Do not ground to a gas pipe.
- Check with a qualified electrician if you are not sure the washer is properly grounded.
- Do not have a fuse in the neutral or ground circuit.

GROUNDING INSTRUCTIONS

For a grounded, cord-connected washer:

This washer must be grounded. In the event of a malfunction or breakdown, grounding will reduce the risk of electrical shock by providing a path of least resistance for electric current. This washer is equipped with a cord having an equipment-grounding conductor and a grounding plug. The plug must be plugged into an appropriate outlet that is properly installed and grounded in accordance with all local codes and ordinances.

WARNING: Improper connection of the equipment-grounding conductor can result in a risk of electric shock. Check with a qualified electrician or serviceman if you are in doubt as to whether the appliance is properly grounded.

Do not modify the plug provided with the appliance – if it will not fit the outlet, have a proper outlet installed by a qualified electrician.

For a permanently connected washer:

This washer must be connected to a grounded metal, permanent wiring system, or an equipment grounding conductor must be run with the circuit conductors and connected to the equipment-grounding terminal or lead on the appliance.

INSTALLATION INSTRUCTIONS

Remove Transport System

⚠ WARNING

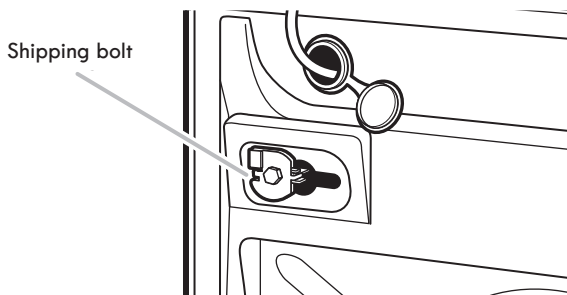
Excessive Weight Hazard

Use two or more people to move and install washer.
Failure to do so can result in back or other injury.

IMPORTANT: Position the washer so that the rear of the washer is within approximately 3 ft. (900 mm) of its final location.

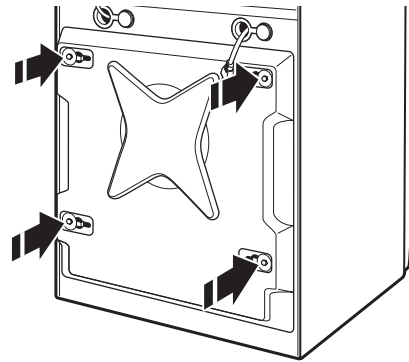
There are four shipping bolts in the rear panel of the washer that support the suspension system during transportation. These bolts also retain the power cord inside the washer until the bolts are removed.

1. Keep the washer in the upright position while removing the shipping bolts.

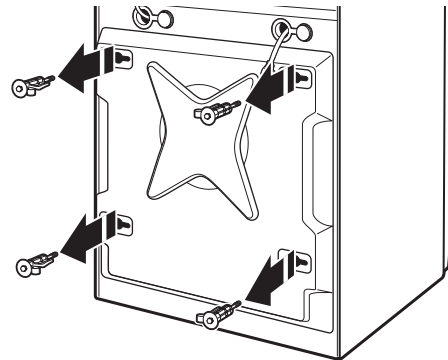


Shipping bolt with plastic spacer

2. Using a 1/2" (13 mm) wrench, loosen each of the bolts.



3. Once the bolt is loose, move it to the center of the hole and completely pull out the bolt, including the plastic spacer covering the bolt.



4. Once all four bolts are removed, discard the bolts and spacers. Push the power cord plug into the opening on the right side of the rear panel, pull the power cord through the opening on the left side of the rear panel, and close holes with the attached cap. Do not pull plug end of power cord through the right side hole.

5. Close the bolt holes with the four transport bolt hole plugs.

NOTE: If the washer is to be transported at a later date, call your product distributor or installer. To avoid suspension and structural damage, your washer must be properly set up for relocation by a trained professional.

Connect the Inlet Hoses

Insert new flat washers (supplied) into each end of the inlet hoses. Firmly seat the washers in the couplings.



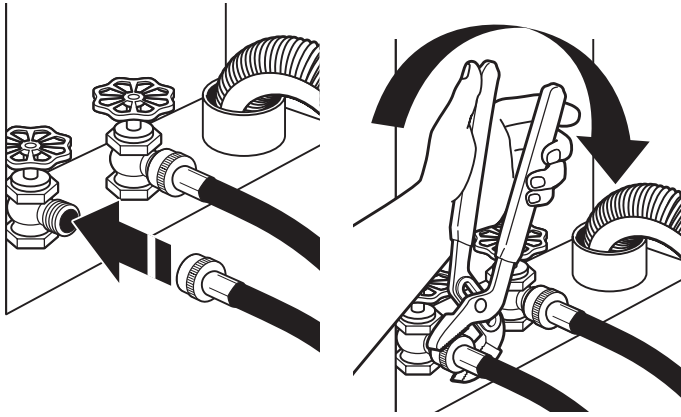
A. Coupling
B. Washer

Connect the inlet hoses to water faucets

Make sure the washer drum is empty.

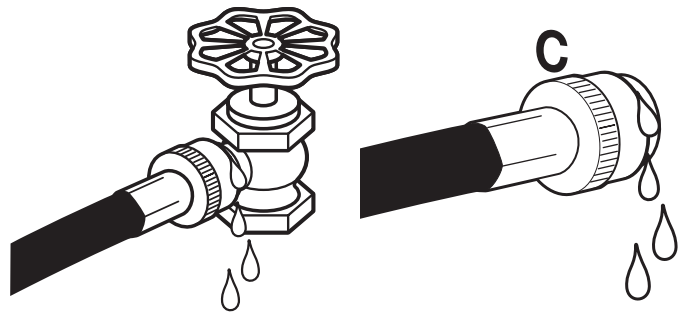
1. Attach a hose to the hot water faucet. Screw on coupling by hand until it is seated on the washer.
2. Attach a hose to the cold water faucet. Screw on coupling by hand until it is seated on the washer.

- Using pliers, tighten the couplings with an additional 2/3 turn.



NOTE: Do not overtighten, use tape, or sealants on the valve. Damage to the valves can result.

- Turn on the water faucets completely and check for leaks at the washer connection.

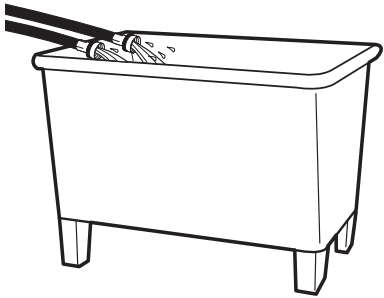


NOTE: Replace inlet hoses after 5 years of use to reduce the risk of hose failure. Record hose installation or replacement dates on the hoses for future reference.

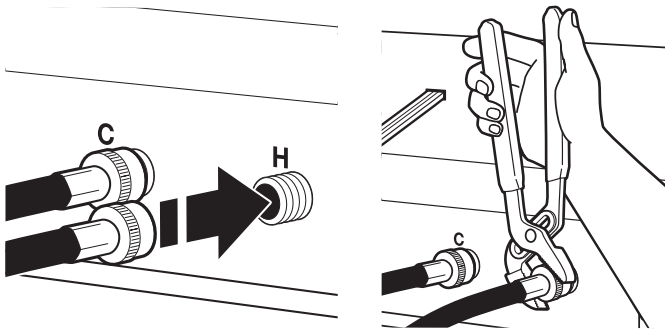
Periodically inspect and replace hoses if bulges, kinks, cuts, wear, or leaks are found.

Clear water lines

- Run water through both faucets and inlet hoses, into a laundry tub, drainpipe, or bucket, to get rid of particles in the water lines that might clog the inlet valve screens.
- Check the temperature of the water to make sure that the hot water hose is connected to the hot water faucet and that the cold water hose is connected to the cold water faucet.



Connect the inlet hoses to the washer



C. Cold water inlet
H. Hot water inlet

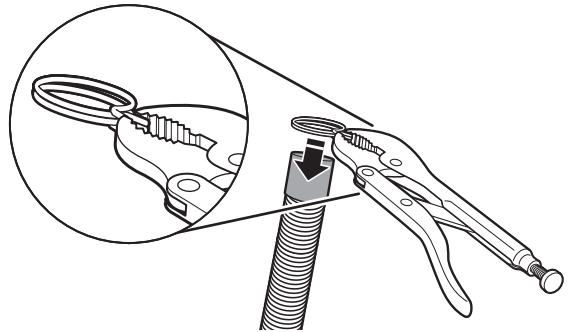
- Attach the hot water hose to the check valve on washer's hot (H) water inlet valve. Screw on coupling by hand until it is seated on the check valve.
- Attach the cold water hose to the check valve on washer's cold (C) water inlet valve. Screw on coupling by hand until it is seated on the check valve.
- Using pliers, tighten the couplings with an additional 2/3 turn.

NOTE: Do not overtighten. Damage to the coupling can result.

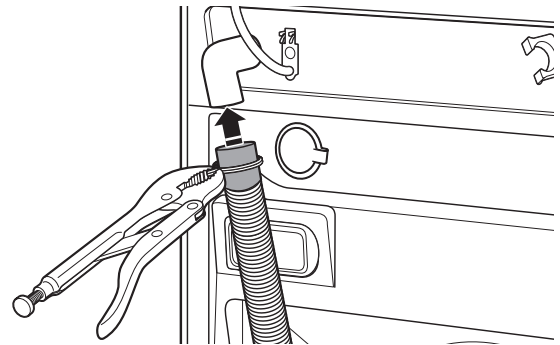
Connect the Drain Hose

Remove drain hose from washer drum

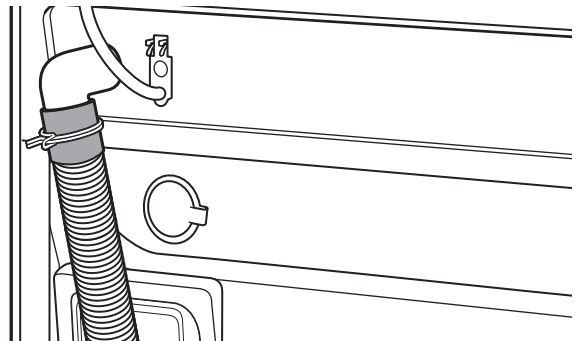
- Use locking pliers, squeeze hose clamp tabs together and insert over the end of drain hose.



- Slide drain hose onto washer connection.



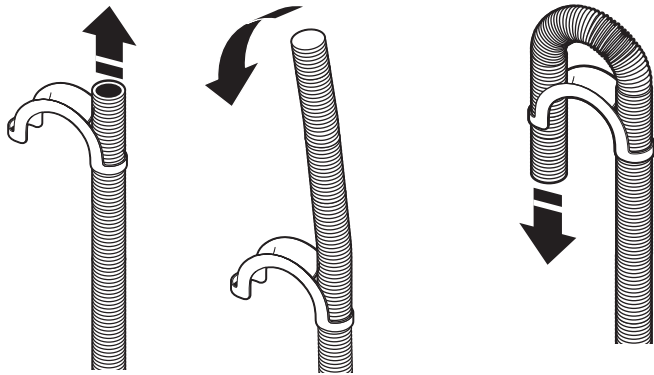
- Once drain hose is in place, release pliers.



Washer drain system can be installed using a floor drain, wall standpipe, floor standpipe, or laundry tub.

Laundry tub drain or standpipe drain

Connect the drain hose form to the corrugated drain hose.



To keep drain water from going back into the washer:

- Use the drain hose form, and do not force excess drain hose into standpipe. Hose should be secure, but loose enough to provide a gap for air.
- Do not lay excess hose on the bottom of the laundry tub.

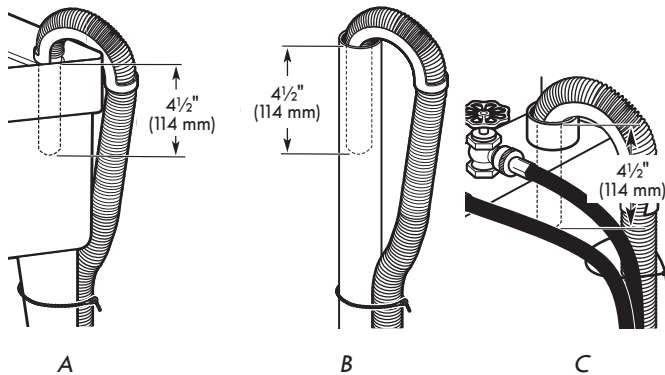
Floor drain

You may need additional parts. See Floor drain under "Tools and Parts."

Secure the Drain Hose

Drain hose must be secured to stop the hose from moving when water is pumped out. If the drain hose moves, water may end up on the floor.

1. Drape the power cord over the washer top.
2. Move the washer to its final location.
3. Place the drain hose in the laundry tub or standpipe as shown. See illustrations A and B.



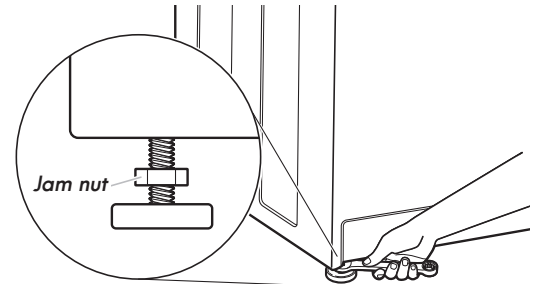
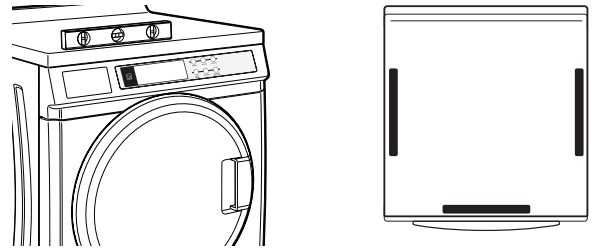
NOTES:

- Do not force excess drain hose back into the rear of the washer.
- To avoid siphoning, do not seal or put more than 4 1/2" (114 mm) of the drain hose into drainpipe or standpipe.
- If the washer faucets and the drain standpipe are recessed, put the hooked end of the drain hose in the standpipe as shown. See illustration C.
- It is the responsibility of the installer to install and secure the drain hose into the provided plumbing/drain in a manner that will avoid the drain hose coming out of or leaking from the plumbing/drain.

Level the Washer

Properly leveling your washer avoids excessive noise and vibration.

1. Check the levelness of the washer by placing a level on the top edge of the washer, first side to side, then front to back.



If the washer is against a wall, move the washer out slightly before tipping back. If the washer is not level, first prop the front with a wood block and adjust the feet as necessary; then, prop the back and adjust feet as necessary. Repeat this step until washer is level.

2. Make sure all four feet are stable and resting on the floor. Then check that the washer is perfectly level (use a level).
3. After the washer is level, use a 9/16" (14 mm) open-end wrench to turn the nuts on the feet tightly against the washer cabinet.

IMPORTANT: All four feet must be tightened. If the nuts are not tight against the washer cabinet, the washer may vibrate.

4. The washer should not move front to back, side to side, or diagonally when pushed on its top edges.
5. Slide the washer to its final location.
6. Confirm the levelness of the washer.

Complete Installation

1. Check the electrical requirements. Be sure that you have the correct electrical supply and the recommended grounding method. See "Electrical Requirements."
2. Check that all parts are now installed. If there is an extra part, go back through the steps to see which step was skipped.
3. Check that you have all of your tools.
4. Dispose of/recycle all packaging materials.
5. Check that the water faucets are on.
6. Check for leaks around faucets and inlet hoses.

⚠ WARNING



Electrical Shock Hazard

Plug into a grounded 3 prong outlet.

Do not remove ground prong.

Do not use an adapter.

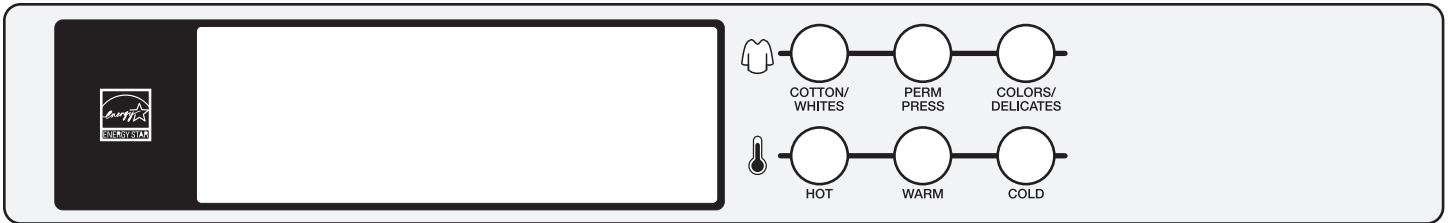
Do not use an extension cord.

Failure to follow these instructions can result in death, fire, or electrical shock.

7. Plug into a grounded 3 prong outlet.
8. To test and to clean your washer, measure $\frac{1}{2}$ the detergent manufacturer's recommended amount of High Efficiency (HE) detergent for a medium-size load. Pour the detergent into the detergent dispenser. Select any cycle and allow the washer to complete one whole cycle.



USER & SET-UP INSTRUCTIONS



NOTE: After the washer has been installed and plugged in, the display may show '0 MINUTES'. Once the washer has been plugged in and the washer door opened and closed, the display will show the price. In washers set for free cycles, the display will flash 'SELECT CYCLE'.

1. Insert coins until 'SELECT CYCLE' flashes in display.
2. Door must be closed before cycle selection is made,
3. Press fabric setting button for the wash cycle desired. After the cycle is started, the time will display and count down.
4. If a cycle is interrupted by opening the door, 'RESELECT CYCLE' will flash in the display. To restart the washer, close door and reselect desired cycle.

General User Information

SCROLLING 'OUT OF ORDER' SHOWING IN DISPLAY

This condition indicates the washer is inoperative.

'0 MINUTES' SHOWING IN DISPLAY

This indicates the cycle is complete and the washer cannot be operated. Coins dropped or debit inputs during this condition will be stored in escrow but cannot be used until normal operation is restored by opening and closing the door. If a door switch fails, it must be replaced before normal operation can be restored.

COLD START (Initial first use)

Washer is programmed at the factory as follows:

- 11-minute wash period
- 3 rinses (extra rinse not enabled)
- \$2.00 wash price

WARM START (after power failure)

A few seconds after power is restored, if a cycle was in progress at the time of the power failure, 'RESELECT CYCLE' will flash in the display, indicating the need for a key press to restart the washer.

DOOR LOCK

Prior to beginning a cycle, there is a door lock routine of lock/unlock/relock; then cycle begins. The door will remain locked until the end of a cycle or approximately 2 minutes after a power interruption.

PRICING

After the door is opened following the completion of a cycle, the display indicates the cycle price (unless set for free operation). As coins are dropped or debit inputs arrive, the display will change to lead the user through the initiation of a cycle.

FREE CYCLES

This is established by setting the cycle price to zero. When this happens, 'SELECT CYCLE' will appear rather than a cycle price.

DEBIT CARD READY

This washer is debit card 'cable' ready. It will accept a variety of debit card systems, but does NOT come with a debit card reader. Refer to the debit card reader manufacturer for proper washer set-up. In models converted to a Generation 1 debit card system, debit pulses represent the equivalent of one coin (coin 1).

Control Set-up Procedures

IMPORTANT: Read all instructions before operating.

Insert access door key, turn, and lift to remove access door.

If a debit card reader is installed (according to the reader manufacturer's instructions), the set-up mode can also be entered by inserting a set-up card (supplied by the reader manufacturer) into the card slot.

The washer is now in the set-up mode. The lower three buttons and the digital display are used to set up the controls. The display can contain four numbers and/or letters and a decimal point. These are used to indicate the set-up codes and related code values available for use in programming the washer.

Once the washer has been programmed with a Gen. 2 card reader installed, the washer will be in dAS mode permanently, and dAS will be displayed every time set-up mode is accessed.

The lower fabric setting buttons and the digital display are used to set up the controls.

The display can contain four numbers and/or letters and a decimal point. These are used to indicate the set-up codes and related code values available for use in programming the washer.

HOW TO USE THE BUTTONS TO PROGRAM THE CONTROLS

1. The HOT button is used to adjust the values associated with set-up codes. Pressing the button will change the value by increments. Rapid adjustment is possible by holding down the button.
2. The WARM button will advance through the set-up codes. Pressing the button will advance to the next available set-up code. Holding the button down will automatically advance through the set-up codes at a rate of 1 per second.
3. The COLD button is used to select or deselect options.

Start Operating Setup

Before proceeding, it is worth noting that, despite all of the options available, an owner can simply choose to uncrate a new commercial washer, hook it up, plug it in, and have a washer that operates.

Washers are preset at the factory for an 11-minute wash period and three rinses (no extra rinse).

SET-UP CODES

- The WARM button will advance you from code to code.
- The HOT button will change the code value.
- The COLD button will select or deselect options.

The set-up code is indicated by the one or two left-hand characters. The set-up code value is indicated by the two or three right-hand characters.

NOTE: The first line of each code indicates the factory default.

CODE	EXPLANATION
6 08	REGULAR CYCLE PRICE (Factory Default)
6 08	When the d.xx is set to d.00, this 6 xx value represents the number of coins (coin 1) needed to start the washer; may adjust from 0–39. Change this value by pressing the HOT button. 6 08 = 8 quarters = \$2.00.
6 01	When the d.xx is set to d.CS, this 6 xx value represents the number of push-in actuations of the coin slide to start the washer. 6 01 would equal one coin slide activation. → Press the WARM button once to advance to next code.
7 11	WASH LENGTH
7 11	This is the number of minutes for WASH. Washer comes from the factory preset with 11 minutes. Choose from 9–17 minutes by pressing the HOT button. → Press the WARM button once to advance to next code.
8 00	ADDITIONAL RINSE OPTION This option is either SELECTED 'ON' or NOT SELECTED 'OFF'.
8 00	Not Selected 'OFF'.
8 Ar	Selected 'ON'. Press the COLD button once for this selection. → Press the WARM button once to advance to next code.
9 00	CYCLE COUNTER OPTION This option is either SELECTED 'ON' or NOT SELECTED 'OFF'.
9 00	Not Selected 'OFF'.
9 0C	Selected 'ON' and not able to be deselected. Press the COLD button three consecutive times to select 'ON'. Once selected 'ON' it cannot be deselected. → Press the WARM button once to advance to next code.
1. 00	MONEY COUNTER OPTION This option is either SELECTED 'ON' or NOT SELECTED 'OFF'.
1. 00	Not Selected 'OFF'.
1. 0C	Selected 'ON'. Press the COLD button three consecutive times to select 'ON' and three consecutive times to deselect (Not Selected 'OFF'.) Counter resets by going from 'OFF' to 'ON'. → Press the WARM button to advance to next code.
1. 0C	Selected 'ON' and not able to be deselected. To select 'ON' and not able to be deselected, first select 'ON', then within 2 seconds, press the COLD button twice, the HOT button once, and exit the set-up mode. → Press the WARM button once to advance to next code.
2. 00	SPECIAL PRICING OPTION This option is either SELECTED 'ON' or 'NOT' SELECTED 'OFF'.
2. 00	Not Selected 'OFF', and next available code will be A.00.
2. SP	Selected 'ON'. Press the COLD button once for this selection. If SPECIAL PRICING OPTION is selected, you have access to codes '3.XX' through '9.XX'. → Press the WARM button once to advance to next code.

CODE	EXPLANATION																								
OPTIONS TO USE IF SPECIAL PRICING IS SELECTED:																									
3. 08	SPECIAL CYCLE PRICE																								
3. 08	Represents the number of quarters (coin 1) to start a cycle; may adjust from 0–39. (See VALUE OF COIN 1.) Advance from 0–39 by pressing the HOT button. Factory default of 8 quarters = \$2.00. → Press the WARM button once to advance to next code.																								
5. 00	TIME-OF-DAY CLOCK, MINUTES																								
5. 00	This is the TIME-OF-DAY CLOCK, minute setting; select 0–59 minutes by pressing the HOT button. → Press the WARM button once to advance to next code.																								
6. 00	TIME-OF-DAY CLOCK, HOURS NOTE: Uses military time or 24 hr. clock.																								
6. 00	This is the TIME-OF-DAY CLOCK, hour setting; select 0–23 hours by pressing the HOT button. → Press the WARM button once to advance to next code.																								
7. 00	SPECIAL PRICE START HOUR NOTE: Uses military time or 24 hr. clock.																								
7. 00	This is the start hour; 0–23 hours. Select START HOUR by pressing the HOT button. → Press the WARM button once to advance to next code.																								
8. 00	SPECIAL PRICE STOP HOUR NOTE: Uses military time or 24 hr. clock.																								
8. 00	This is the stop hour; 0–23 hours. Select STOP HOUR by pressing the HOT button. → Press the WARM button once to advance to next code.																								
9. 10	SPECIAL PRICE DAY																								
9. 10	This represents the day of the week and whether special pricing is selected for that day. A number followed by '0' indicates no selection that particular day (9.10). A number followed by an 'S' indicates selected for that day (9.1S). To change the value of '0' and 'S', use the COLD button. Days of the week (1–7) are selected by pressing the HOT button. When exiting set-up code '9', the display must show current day of week: <table border="1" style="margin-left: auto; margin-right: auto;"> <thead> <tr> <th>DISPLAY</th> <th>DAY OF WEEK</th> <th>CODE (selected)</th> </tr> </thead> <tbody> <tr> <td>10</td> <td>Day 1 = Sunday</td> <td>1S</td> </tr> <tr> <td>20</td> <td>Day 2 = Monday</td> <td>2S</td> </tr> <tr> <td>30</td> <td>Day 3 = Tuesday</td> <td>3S</td> </tr> <tr> <td>40</td> <td>Day 4 = Wednesday</td> <td>4S</td> </tr> <tr> <td>50</td> <td>Day 5 = Thursday</td> <td>5S</td> </tr> <tr> <td>60</td> <td>Day 6 = Friday</td> <td>6S</td> </tr> <tr> <td>70</td> <td>Day 7 = Saturday</td> <td>7S</td> </tr> </tbody> </table> → Press the WARM button once to advance to next code.	DISPLAY	DAY OF WEEK	CODE (selected)	10	Day 1 = Sunday	1S	20	Day 2 = Monday	2S	30	Day 3 = Tuesday	3S	40	Day 4 = Wednesday	4S	50	Day 5 = Thursday	5S	60	Day 6 = Friday	6S	70	Day 7 = Saturday	7S
DISPLAY	DAY OF WEEK	CODE (selected)																							
10	Day 1 = Sunday	1S																							
20	Day 2 = Monday	2S																							
30	Day 3 = Tuesday	3S																							
40	Day 4 = Wednesday	4S																							
50	Day 5 = Thursday	5S																							
60	Day 6 = Friday	6S																							
70	Day 7 = Saturday	7S																							
A. 00	VAULT VIEWING OPTION This option is either SELECTED 'ON' or NOT SELECTED 'OFF'.																								
A. 00	Not Selected 'OFF'.																								
A. SC	Selected 'ON'. Press the COLD button once for this selection. When selected, the money and/or cycle counts will be viewable (if counter option[s] is selected) when the coin box is removed. → Press the WARM button once to advance to next code.																								

CODE	EXPLANATION
b. 05	VALUE OF COIN 1
b. 05	This represents the value of coin 1 in number of nickels: b.05 = \$0.25. By pressing the HOT button, there is the option of 1–199 nickels. With coin slide activation, this represents the total vend price in nickels. Example: b.40 is equal to \$2.00. → Press the WARM button once to advance to next code.
C. 20	VALUE OF COIN 2
C. 20	This represents the value of coin 2 in number of nickels: C.20 = \$1.00. By pressing the HOT button, there is the option of 1–199 nickels. → Press the WARM button once to advance to next code.
d. 00	COIN SLIDE OPTION This option is either SELECTED 'ON' or NOT SELECTED 'OFF'.
d. 00	Not Selected 'OFF'.
d. CS	Selected 'ON'. Press the COLD button three consecutive times for this selection. When coin slide mode is selected, set 'b.' equal to value of slide in 5% increments. Set step 6 (regular cycle price) and step 3 (special cycle price) to number of slide operations. If the installer sets up 'CS' on a coin drop model, it will not register coins. → Press the WARM button once to advance to next code.
E. 00	ADD COINS OPTION This option is either SELECTED 'ON' or NOT SELECTED 'OFF'. This option causes the customer display to show the number of coins (coin 1) to enter, rather than the monetary amount.
E. 00	Not Selected 'OFF'.
E. AC	Selected 'ON'. Press the COLD button three consecutive times for this selection. → Press the WARM button once to advance to next code.
F. 00	ENHANCED PRICING OPTION
F. 00	Not Selected 'OFF'.
F. SU	Super Cycle pricing enabled. This option allows customers to upgrade cycles by depositing extra money. Set-up codes 'H.' and 'h.' will be displayed only when this option is enabled. Press the COLD button for this selection. → Press the WARM button once to advance to next code.
H. 01	SUPER CYCLE UPGRADE PRICE (Skipped unless Super Cycle pricing is enabled.)
H. 01	This represents the number of coin 1 required to upgrade a base cycle to a super cycle. Advance from 0–33 by pressing the HOT button. → Press the WARM button once to advance to next code.

CODE	EXPLANATION
h. 01	SUPER CYCLE TYPE (Skipped unless Super Cycle pricing is enabled.)
h. 01	This represents the Super Cycle upgrade option. Press the HOT button to step through upgrade options 1 through 3 as follows: 01 – enhanced wash, extra 3 minutes of wash tumble in addition to the programmed wash time. 02 – extra rinse for all cycles. 03 – both 01 and 02. → Press the WARM button once to advance to next code.
J. Cd	COIN/DEBIT OPTION
J. Cd	Both coin & debit selected. Press the COLD button three consecutive times to change this selection.
J. C_	Coins selected, debit disabled. Press the COLD button three consecutive times to change this selection.
J. _d	Debit card selected, coins disabled. Press the COLD button three consecutive times to change this selection.
J. Ed	Enhanced Debit is self-selected when a Generation 2 card reader is installed in the washer. The Ed option cannot be manually selected or deselected. → Press the WARM button once to advance to next code.
L. 00	PRICE SUPPRESSION OPTION This option causes the customer display to show 'ADD' or 'AVAILABLE' rather than the amount of money to add. (Used mainly in debit installations.)
L. 00	Not Selected 'OFF'.
L. PS	Selected 'ON'. Press the COLD button once for this selection. → Press the WARM button once to advance to next code.
n. CE	CLEAR ESCROW OPTION When selected, money held in escrow for 30 minutes without further escrow or cycle activity will be cleared.
n. 00	Not Selected 'OFF'.
n. CE	Selected 'ON'. Press the COLD button once for this selection. → Press the WARM button once to advance to next code.
U. 00	COIN (HUNDREDTH) INCREMENT OFFSET
U. 00	This represents the penny increment price offset used with Gen. 2 card readers. Choose from 0–4 pennies by pressing the HOT button. → Press the WARM button once to advance to next code.
A1. 00	PREWASH LENGTH
A1. 00	This is the number of minutes of PREWASH. Choose 00 to disable the prewash or select between 02 and 07 minutes by pressing the HOT button. → Press the WARM button once to advance to next code.

If cycle counter (9 0C) is selected, the following is true:

1 00	Represents the number of cycles in HUNDREDS	1 <u>02</u> = 200
2 00	Represents the number of cycles in ONES	2 <u>25</u> = 25
TOTAL CYCLES		= 225

This is "VIEW ONLY" and cannot be cleared.

Press the WARM button once to advance to next code.

If money counter (1.0C or 1.C0) is selected, the following is true:

3 00	Number of dollars in HUNDREDS	3 <u>01</u> = \$ 100.00
4 00	Number of dollars in ONES	4 <u>68</u> = \$ 68.00
5 00	Number of CENTS	5 <u>75</u> = \$ 00.75
TOTAL		= \$ 168.75

END OF SET-UP PROCEDURES

EXIT FROM SET-UP MODE

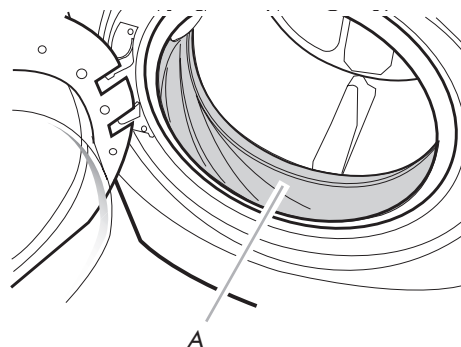
- Close the service access door.
- Remove the manual set-up card.

WASHER CARE

Cleaning Your Washer

Cleaning the Door Seal/Bellow

1. Open the washer door and remove any clothing or items from the washer.
2. Inspect inner glass door. If debris is present, wipe off debris using damp cloth.
3. Inspect the colored seal/bellow between the door opening and the drum for stained areas. Pull back the seal/bellow to inspect all areas under the seal/bellow and to check for foreign objects.



A. Seal/Bellow

4. If stained areas are found, wipe down these areas of the seal/bellow using the procedure that follows:
 - a) Mix a dilute solution, using 3/4 cup (177 mL) of liquid chlorine bleach, and 1 gal. (3.8 L) of warm tap water.
 - b) Wipe the seal/bellow area with the dilute solution, using a damp cloth.
 - c) Let stand 5 minutes.
 - d) Wipe down area thoroughly with a dry cloth and let the washer interior air dry with door open.

IMPORTANT:

- Wear rubber gloves when cleaning for prolonged periods.
- Refer to the bleach manufacturer's instructions for proper use.

Washer Maintenance Procedure

This washer has a special cycle that uses higher water volumes in combination with liquid chlorine bleach to thoroughly clean the inside of the washer.

NOTES:

- Read these instructions completely before beginning the cleaning process.
- If necessary, the cleaning cycle may be interrupted by pressing the COLD button twice. However, this will not immediately stop the cycle. The washer will continue with several rinse and drain steps to ensure that all remaining bleach is rinsed from the washer.

Begin procedure

1. Open the washer door and remove any clothing or items from the washer.
2. **Use liquid chlorine bleach:**
Open the dispenser drawer and immediately add 2/3 cup (160 mL) of liquid chlorine bleach to the bleach compartment.
NOTE: Do not add any detergent to this cycle. Use of more than 2/3 cup (160 mL) of bleach will cause product damage over time.
3. Close the washer door and the dispenser drawer.

- To start the Clean Washer cycle, first enter "Start Operating Setup." Then press and hold COLD for 1 second. With the entire display flashing, press COLORS/DELICATES.

NOTE: The drum will rotate, then the door will unlock, lock again, and then the cycle will continue.

- The washer will not fill, but the drum will rotate while the washer runs a short sensing cycle. This will take approximately 3 minutes.
- The cycle will determine whether clothing or other items are in the washer.
 - If no items are detected in the washer, it will proceed to Step 7.
 - If any items are detected in the washer, "rL" or "F-34" will be displayed. Then the door will unlock.
 - Press COLD to cancel the failure code. Then repeat steps 1, 3, and 4 to start the cycle again.
 - Once the cycle has begun, allow the cycle to complete.
 - After the cycle is complete, leave the door open slightly, to allow for better ventilation and drying of washer interior.

Always do the following to maintain washer freshness:

- Use only "HE" High Efficiency detergent.
- Leave the door slightly open after each cycle to allow for better ventilation and drying of washer interior.
- Clean the washer monthly using the Washer Maintenance Procedure, and 2/3 cup (160 mL) of liquid chlorine bleach.
- If the procedure does not sufficiently improve the washer freshness, please evaluate your installation and usage conditions for other causes.

Cleaning the exterior

Use a soft damp cloth or sponge to wipe up any spills. Occasionally wipe the outside of your washer to keep it looking new. Use mild soap and water. Do not use abrasive products.

Cleaning the dispenser drawer

The dispenser drawer is removable for easy cleaning.

- Unlock the dispenser drawer by pressing the Release Lever. Remove the drawer.
- Remove the inserts (the siphon from the softener and bleach compartments).
- Wash the parts under running water.

NOTE: Do not wash components in the dishwasher.
- Re-install the inserts and return the dispenser to the drawer.

Water Inlet Hoses

Replace water inlet hoses after 5 years of use to reduce the risk of hose failure. Periodically inspect and replace water inlet hoses if bulges, kinks, cuts, wear, or leaks are found.

When replacing your water inlet hoses, mark the date of replacement on the label with a permanent marker.

ALTERNATE PARTS & ACCESSORIES

Alternate Parts

Your installation may require additional parts. If you are interested in purchasing one of the items listed here, call the toll-free number on the back cover of this Installation Instructions.

If you have	You will need to buy
Laundry tub or standpipe taller than 96" (2.4 m)	Sump pump system (if not already available)
Overhead sewer	Standard 20 gal. (76 L), 30" (762 mm) tall drain tub or utility sink and sump pump (available from local plumbing suppliers)
Floor drain	Siphon break, Part Number 285834; additional drain hose, Part Number 8318155; and connector kit, Part Number 285835
Drain hose too short	4 ft (1.2 m) drain hose extension kit, Part Number 285863
Water faucets beyond reach of fill hoses	2 longer water fill hoses: 6 ft (1.8 m) Part Number 76314 10 ft (3.0 m) Part Number 350008

Accessories

Enhance your washer with these premium accessories.

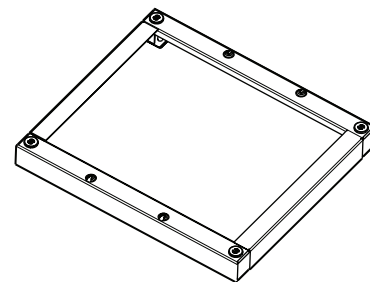
For more high-quality items or to order, call the toll-free number on the back cover of this Installation Instructions.

Part Number	Accessory
8212526	Washer drip trays, fits under all
31682	All purpose appliance cleaner
1903WH	Laundry supply storage cart

Options

Pedestal

You have the option of purchasing pedestals separately for this washer. The pedestal will add to the total height of the washer.



Optional pedestal

Pedestal Height	Approximate height with washer	Color	Part Number
27/8" (73 mm)	47.5" (1207 mm)	White	WHP0400VW

WARRANTY

KENMORE APPLIANCE WARRANTY

KENMORE LIMITED WARRANTY

FOR ONE YEAR from the date of sale this appliance is warranted against defects in material or workmanship when it is correctly installed, operated, and maintained according to all supplied instructions.

WITH PROOF OF SALE, a defective appliance will receive free repair or replacement at option of seller.

For warranty coverage details to obtain free repair or replacement, visit the web page: www.kenmore.com/warranty.

This warranty covers ONLY defects in material and workmanship, and will NOT pay for:

1. Expendable items that can wear out from normal use, including but not limited to filters, belts, bags, or screw-in base light bulbs.
2. A service technician to clean or maintain this appliance, or to instruct the user in correct appliance installation, operation, and maintenance.
3. Service calls to correct appliance installation not performed by Sears authorized service agents, or to repair problems with house fuses, circuit breakers, house wiring, and plumbing or gas supply systems resulting from such installation.
4. Damage to or failure of this appliance resulting from installation not performed by Sears authorized service agents, including installation that was not in accord with electrical, gas, or plumbing codes.
5. Damage to or failure of this appliance, including discoloration or surface rust, if it is not correctly operated and maintained according to all supplied instructions.
6. Damage to or failure of this appliance, including discoloration or surface rust, resulting from accident, alteration, abuse, misuse or use for other than its intended purpose.
7. Damage to or failure of this appliance, including discoloration or surface rust, caused by the use of detergents, cleaners, chemicals, or utensils other than those recommended in all instructions supplied with the product.
8. Damage to or failure of parts or systems resulting from unauthorized modifications made to this appliance.
9. Service to an appliance if the model and serial plate is missing, altered, or cannot easily be determined to have the appropriate certification logo.

DISCLAIMER OF IMPLIED WARRANTIES; LIMITATION OF REMEDIES

Customer's sole and exclusive remedy under this limited warranty shall be product repair or replacement as provided herein. Implied warranties, including warranties of merchantability or fitness for a particular purpose, are limited to one year or the shortest period allowed by law. Seller shall not be liable for incidental or consequential damages. Some states and provinces do not allow the exclusion or limitation of incidental or consequential damages, or limitation on the duration of implied warranties of merchantability or fitness, so these exclusions or limitations may not apply to you.

This warranty applies only while this appliance is used in the United States.

This warranty gives you specific legal rights, and you may also have other rights which vary from state to state.

**Sears Brands Management Corporation
Hoffman Estates, IL 60179**

3/2015

SEGURIDAD DE LA LAVADORA

Su seguridad y la seguridad de los demás es muy importante.

Hemos incluido muchos mensajes importantes de seguridad en este manual y en su electrodoméstico. Lea y obedezca siempre todos los mensajes de seguridad.



Este es el símbolo de alerta de seguridad.

Este símbolo le llama la atención sobre peligros potenciales que pueden ocasionar la muerte o una lesión a usted y a los demás.

Todos los mensajes de seguridad irán a continuación del símbolo de advertencia de seguridad y de la palabra "PELIGRO" o "ADVERTENCIA". Estas palabras significan:

 **PELIGRO**

Si no sigue las instrucciones de inmediato, usted puede morir o sufrir una lesión grave.

 **ADVERTENCIA**

Si no sigue las instrucciones, usted puede morir o sufrir una lesión grave.

Todos los mensajes de seguridad le dirán el peligro potencial, le dirán cómo reducir las posibilidades de sufrir una lesión y lo que puede suceder si no se siguen las instrucciones.

INSTRUCCIONES IMPORTANTES DE SEGURIDAD

ADVERTENCIA: Para reducir el riesgo de incendio, choque eléctrico o lesiones a personas al usar su lavadora, siga las precauciones básicas, incluyendo las siguientes:

- Lea todas las instrucciones antes de usar la lavadora.
- No lave artículos que hayan sido previamente limpiados, lavados, remojados o humedecidos con gasolina, solventes para lavar en seco, u otras sustancias inflamables o explosivas ya que éstas emanan vapores que podrían encenderse o causar una explosión.
- No agregue gasolina, solventes para lavar en seco, u otras sustancias inflamables o explosivas al agua de lavado. Estas sustancias emanan vapores que podrían encenderse o causar una explosión.
- En ciertas condiciones, puede generarse gas hidrógeno en un sistema de agua caliente que no se haya usado por dos semanas o un período mayor. **EL GAS HIDRÓGENO ES EXPLOSIVO.** Si no se ha usado el agua caliente durante dicho período, antes de usar la lavadora, abra todos los grifos de agua caliente y deje que corra el agua por varios minutos. Esto liberará todo el gas hidrógeno que se haya acumulado. Debido a la inflamabilidad de dicho gas, no fume ni use una llama abierta durante este lapso.
- No permita que los niños jueguen encima o dentro de la lavadora. Es necesario una supervisión cuidadosa de los niños toda vez que se use la lavadora cerca de ellos.
- Antes de poner la lavadora fuera de servicio o desecharla, quítele la puerta o la tapa.
- No introduzca las manos en la lavadora si el tambor, la tina, o el agitador están funcionando.
- No instale ni almacene esta lavadora donde pudiese estar sometida a la intemperie.
- No trate de forzar los controles.
- No repare ni cambie pieza alguna de la lavadora ni intente realizar tarea alguna de servicio técnico, excepto cuando así se le indique específicamente en este manual o en instrucciones de reparación para el usuario publicadas, que usted entienda y para cuya ejecución cuente con la habilidad necesaria.
- Para obtener información respecto a las instrucciones de conexión a tierra, consulte "Requisitos eléctricos" en las instrucciones de instalación.

GUARDE ESTAS INSTRUCCIONES

Advertencias de la Proposición 65 del estado de California:

ADVERTENCIA: Este producto contiene una o más sustancias químicas identificadas por el estado de California como causantes de cáncer.

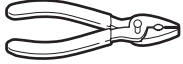
ADVERTENCIA: Este producto contiene una o más sustancias químicas identificadas por el estado de California como causantes de defectos congénitos o algún otro tipo de daños en la función reproductora.

REQUISITOS DE INSTALACIÓN

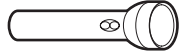
Herramientas y piezas

Reúna las herramientas y piezas necesarias antes de comenzar la instalación. Las piezas provistas con la lavadora se encuentran en el tambor de la lavadora.

Herramientas necesarias para la conexión de las mangueras de entrada de agua



Alicates (que se abran a 1 1/16" [39,5 mm])



Linterna (opcional)

Herramientas necesarias para la instalación



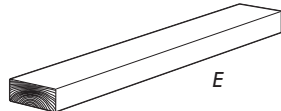
A



D



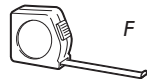
B



E



C



F

A. Llave de boca de 1/2" (13 mm) y 9/16" (14 mm)

B. Destornillador de seguridad TORX T20®†

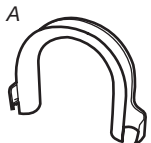
C. Llave de tuercas de 1/4" (6 mm)

D. Nivel

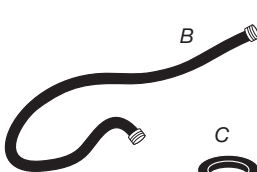
E. Bloque de madera

F. Regla o cinta de medición

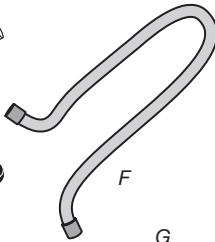
Piezas suministradas



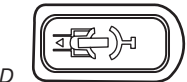
A



B



F



D



E



G

A. Molde de la manguera en forma de "U"

B. Mangueras de entrada de agua (2)

C. Arandelas de las mangueras de entrada (4)

D. Tapones para orificios de pernos de transporte (4)

E. Fleje de atadura rebordado

F. Manguera de drenaje

G. Manguera de abrazadera

Requisitos de ubicación

Seleccione una ubicación apropiada para su lavadora, para realzar el rendimiento y reducir al mínimo el ruido y la posible "caminata" de la lavadora.

Su lavadora se puede instalar debajo de un mostrador a la medida, o en un sótano, cuarto para lavar o un lugar empotrado. Vea "Sistema de desagüe."

Deberá tenerse en cuenta también los requisitos para la ubicación de otro electrodoméstico que le acompañe. La instalación correcta es su responsabilidad.

Usted necesitará

- Un calentador de agua fijado en 120°F (49°C).
- Un contacto con conexión a tierra ubicado a no más de 6 pies (1,8 m) del cable eléctrico en la parte posterior de la lavadora. Vea "Requisitos Eléctricos".

†®TORX y T20 son marcas registradas de Acument Intellectual Properties, LLC.

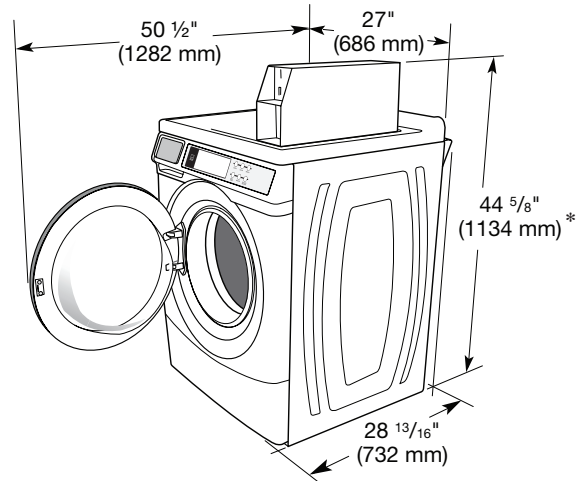
- Grifos de agua caliente y de agua fría ubicados a una distancia de no más de 4 pies (1,2 m) de las válvulas de llenado del agua caliente y fría en la lavadora y una presión de agua de 20–100 lb/pulg² (138–690 kPa).
- Un piso nivelado con un declive máximo de 1" (25 mm) debajo de la lavadora completa. No se recomienda instalar la lavadora sobre superficies blandas del piso, tales como alfombras o superficies con reverso de espuma.
- El piso debe sostener el peso total de la lavadora (con el agua y la carga) de 400 lb (180 kg).

No guarde ni haga funcionar su lavadora a temperaturas iguales o inferiores a 32°F (0°C). El agua que quede en la lavadora puede ocasionar daños a bajas temperaturas.

Espacios libres para la instalación

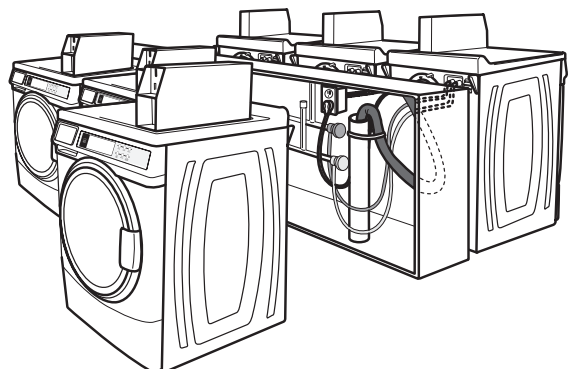
- El lugar debe ser lo suficientemente grande para permitir que la puerta de la lavadora se pueda abrir completamente.
- Debe considerarse espacio adicional para facilitar la instalación y el servicio técnico. La puerta se abre a más de 90° y no es reversible.
- Se podrían necesitar espacios libres adicionales para las molduras de la pared, la puerta y el piso.
- Se recomienda dejar un espacio adicional de 1" (25 mm) alrededor de toda la lavadora para reducir la transferencia de ruido.
- También se debe considerar espacio adicional para otro electrodoméstico que le acompañe.

Dimensiones de lavadora



* La altura sin las patas niveladoras instaladas. La puerta no es reversible.

Debe proveerse un desagüe por el piso bajo el tabique divisorio. Los tabiques divisorios prefabricados con contactos eléctricos, las líneas de entrada de agua y las instalaciones con desagües deben ser usados únicamente donde los códigos locales lo permiten.



Instalación en un área empotrada

Esta lavadora podrá instalarse en un área empotrada. Las dimensiones de instalación que se ilustran a continuación son para los espacios mínimos permitidos. Debe considerarse espacio adicional para facilitar la instalación y el servicio técnico. Vea la tabla debajo.

Espacios libres para la instalación
(Para facilitar la instalación, use el espacio libre recomendado)

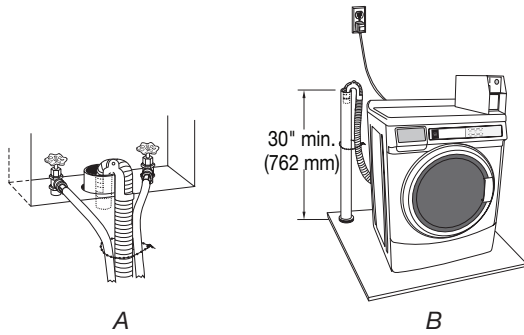
	Recomendado/Mínimo	
	Parte posterior	Lados
Empotrado/ Bajo un mostrador	0"/0" (0 mm)/(0 mm)	1"/0" (25 mm)/(0 mm)

Sistema de desagüe

Se puede instalar la lavadora utilizando el sistema de desagüe de tubo vertical (de piso o de pared), el sistema de desagüe de tina de lavadero o el sistema de desagüe de piso. Seleccione el método de instalación de la manguera de desagüe que usted necesite. Vea "Herramientas y piezas."

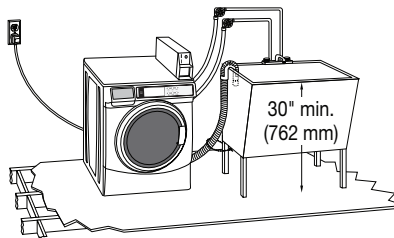
Sistema de desagüe de tubo vertical – de pared o de piso (visiones A & B)

El desagüe de tubo vertical necesita un tubo vertical con un diámetro mínimo de 2" (50 mm). La capacidad mínima de desagüe no puede ser menor de 12 galones (45,5 L) por minuto, por lavadora. La parte superior del tubo vertical debe estar a 30" (762 mm) de altura como mínimo; instálela a no más de 96" (2,4 m) de la base de la lavadora.



Sistema de desagüe de tina de lavadero

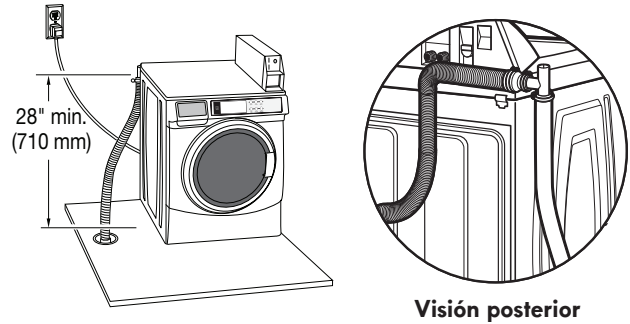
Capacidad mínima: 20 gal. (76 L). La parte superior de la tina de lavadero debe estar a 30" (762 mm) del piso como mínimo.



Sistema de desagüe de piso

Un sistema de desagüe por el piso requiere de un juego de desviación de sifón que puede comprarse en forma separada. Vea "Herramientas y piezas."

Desviación de sifón mínima: 28" (710 mm) de la base de la lavadora. Se pueden necesitar mangueras adicionales.



Requisitos eléctricos

⚠ ADVERTENCIA



Peligro de Choque Eléctrico

Conecte a un contacto de pared de conexión a tierra de 3 terminales.

No quite la terminal de conexión a tierra.

No use un adaptador.

No use un cable eléctrico de extensión.

No seguir estas instrucciones puede ocasionar la muerte, incendio o choque eléctrico.

- Se necesita un suministro eléctrico de 120 voltios, 60 hertzios, CA solamente, de 15 ó 20 amperios y protegido con fusible. Se recomienda un fusible retardador o un cortacircuitos, en un circuito independiente que preste servicio únicamente a este aparato.
- Esta lavadora viene equipada con un cable eléctrico dotado de un enchufe de 3 terminales con conexión a tierra.
- Para reducir al mínimo el peligro de posibles choques eléctricos, el cable debe ser enchufado en un contacto apropiado de pared de 3 terminales, conectado a tierra de acuerdo con los códigos y normas locales. Si no hay disponible una salida equivalente, es responsabilidad y obligación personal del cliente de tener un contacto apropiado con conexión a tierra instalado por un electricista calificado.
- Si los códigos lo permiten y se emplea un alambre de conexión a tierra separado, es recomendable que un electricista calificado determine si la trayectoria de conexión a tierra es adecuada.
- No conecte a tierra a un tubo de gas.
- Si no está seguro de que la conexión a tierra de la lavadora sea la adecuada, verifíquela con un electricista competente.
- No coloque un fusible en el circuito neutro o de puesta a tierra.

INSTRUCCIONES PARA LA CONEXIÓN A TIERRA

Para una lavadora conectada a tierra con cable eléctrico:

Esta lavadora debe conectarse a tierra. En caso de funcionamiento defectuoso o avería, la conexión a tierra reducirá el riesgo de choque eléctrico al proporcionar una vía de menor resistencia para la corriente eléctrica. Esta lavadora viene equipada con un cable eléctrico que tiene un conductor de conexión a tierra del equipo y un enchufe con conexión a tierra. El enchufe debe conectarse en un contacto de pared apropiado que haya sido debidamente instalado y conectado a tierra de conformidad con todos los códigos y ordenanzas locales.

ADVERTENCIA: La conexión incorrecta de la terminal de conexión a tierra del equipo puede ocasionar un riesgo de choque eléctrico. Consulte con un electricista o técnico en reparaciones calificado si tiene duda alguna en cuanto a la conexión a tierra correcta del electrodoméstico.

No modifique el enchufe provisto con el electrodoméstico. Si éste no encaja en el contacto de pared, pida a un electricista calificado que le instale un contacto de pared apropiado.

Para una lavadora con contacto eléctrico permanente:

Esta lavadora debe estar conectada a un sistema de cableado de metal permanente, conectado a tierra, o se debe tender un conducto para la conexión a tierra del equipo con los conductores de circuito y conectado a la terminal de tierra del equipo o al conductor de suministro del electrodoméstico.

INSTRUCCIONES DE INSTALACIÓN

Eliminación del sistema protector de transporte

⚠ ADVERTENCIA

Peligro de Peso Excesivo

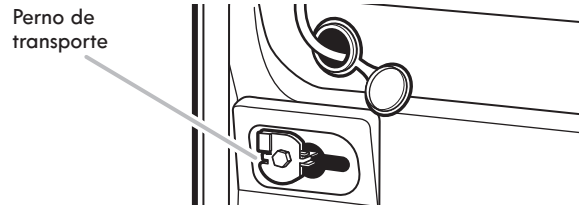
Use dos o más personas para mover e instalar la lavadora.

No seguir esta instrucción puede ocasionar una lesión en la espalda u otro tipo de lesiones.

IMPORTANTE: Coloque la lavadora de modo que la parte posterior de esta quede a aproximadamente 3 pies (900 mm) de distancia de su ubicación final.

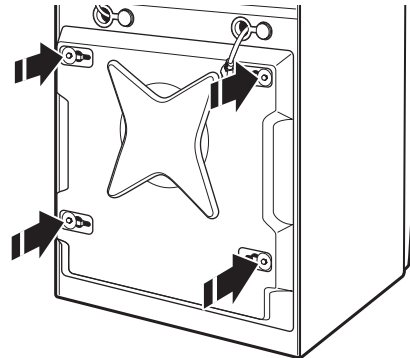
Hay cuatro pernos de transporte en el panel posterior de la lavadora que sostienen el sistema de suspensión durante el transporte. Estos pernos también retienen el cable eléctrico dentro de la lavadora hasta quitarlos.

1. Mantenga la lavadora en la posición vertical mientras quita los pernos de transporte.

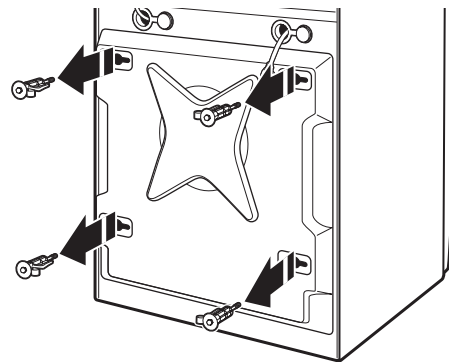


Perno de transporte con espaciador de plástico

2. Utilice una llave de tuercas de 1/2" (13 mm) para aflojar cada uno de los pernos.



3. Una vez que el perno esté flojo, muévelo hacia el centro del orificio y jálelo hacia fuera por completo, incluyendo el espaciador de plástico que cubre el perno.

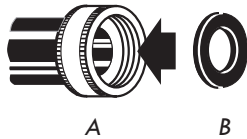


4. Una vez que se hayan quitado los cuatro pernos, descarte los pernos y los espaciadores. Luego coloque el cable eléctrico en la abertura del lado derecho del panel posterior, jale el cable eléctrico a través de la abertura en el lado izquierdo del panel posterior y cierre los orificios con la tapa provista. No jale el extremo del cable eléctrico a través del orificio del lado derecho.
5. Cierre los orificios de los pernos con los cuatro tapones para orificios de pernos de transporte.

NOTA: Si la lavadora se va a transportar unos días más tarde, llame al distribuidor o instalador de su producto. Para prevenir daños estructurales y de suspensión, su lavadora debe estar debidamente preparada para ser nuevamente ubicada por un profesional competente.

Conexión de las mangueras de entrada

Inserte las nuevas arandelas para manguera (suministradas) en cada extremo de las mangueras de entrada. Asiente firmemente las arandelas en los acoplamientos.

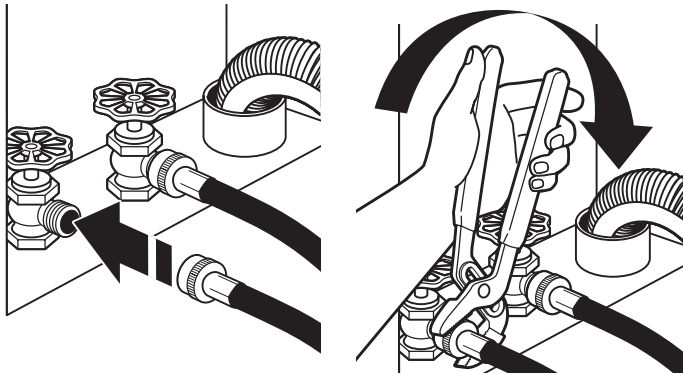


A. Acoplamiento
B. Arandela

Conecte las mangueras de entrada a los grifos del agua

Asegúrese de que el tambor de la lavadora esté vacío.

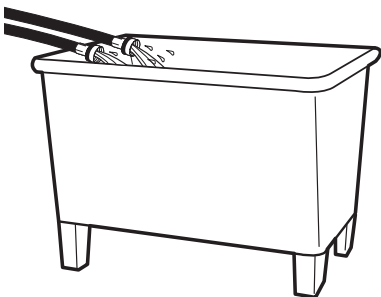
1. Sujete la manguera al grifo de agua caliente. Atornille el acoplamiento hasta que quede asentado en la lavadora.
2. Sujete la manguera al grifo de agua fría. Atornille el acoplamiento hasta que quede asentado en la lavadora.
3. Use pinzas para apretar los acoplamientos dos tercios de vuelta adicional.



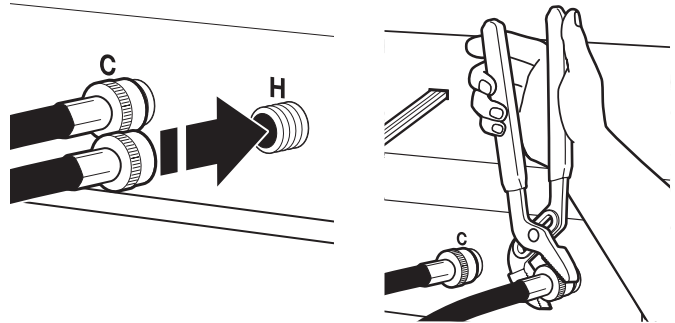
NOTA: No apriete en exceso ni use cinta o selladores en la válvula. Puede resultar en daños.

Despeje las líneas de agua

- Deje correr el agua de los grifos y las mangueras de entrada en un lavadero, tubo de desagüe o cubeta para eliminar las partículas que se encuentran en las tuberías del agua, las cuales podrían obstruir los filtros de la válvula de entrada.
- Verifique la temperatura del agua para asegurarse de que la manguera de agua caliente esté conectada al grifo de agua caliente y que la manguera de agua fría esté conectada al grifo de agua fría.

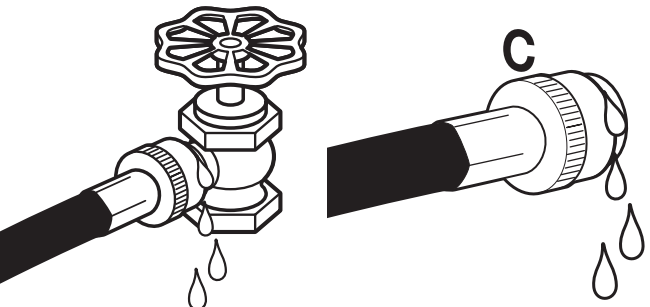


Conecte las mangueras de entrada a la lavadora



C. Entrada de agua fría
H. Entrada del agua caliente

1. Conecte la manguera de agua caliente a la válvula de retención en la válvula de entrada de agua caliente (H) de la lavadora. Atornille el acoplamiento con la mano hasta que quede asentado en la válvula de retención.
2. Conecte la manguera de agua fría a la válvula de retención en la válvula de entrada de agua fría (C) de la lavadora. Atornille el acoplamiento con la mano hasta que quede asentado en la válvula de retención.
3. Use pinzas para apretar los acoplamientos dos tercios de vuelta adicional.
4. Abra los grifos del agua para revisar si hay fugas de agua en el grifo y en la conexión a la lavadora.



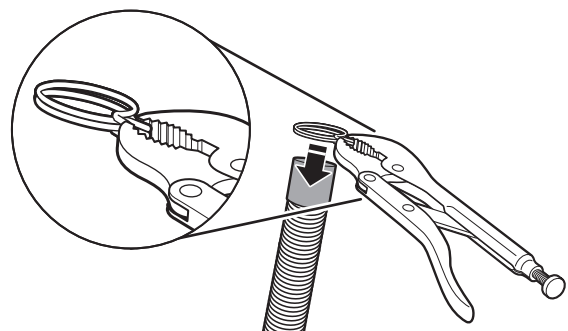
NOTA: Reemplace las mangueras de entrada después de 5 años de uso para reducir el riesgo de que fallen. Para consulta en el futuro, anote en las mangueras la fecha de instalación o la fecha de reposición de las mismas.

Inspeccione periódicamente y reemplace las mangueras si aparecen bultos, torceduras, cortaduras, desgaste o filtraciones de agua.

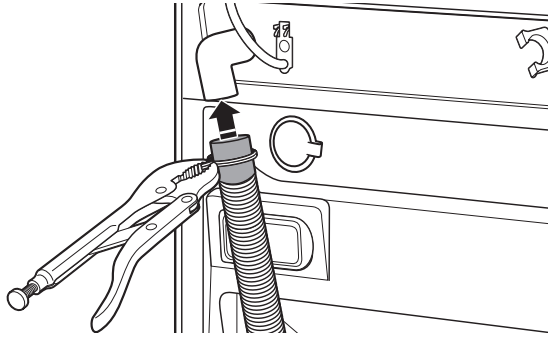
Conexión de la manguera de desagüe

Retire la manguera de desagüe del tambor de la lavadora

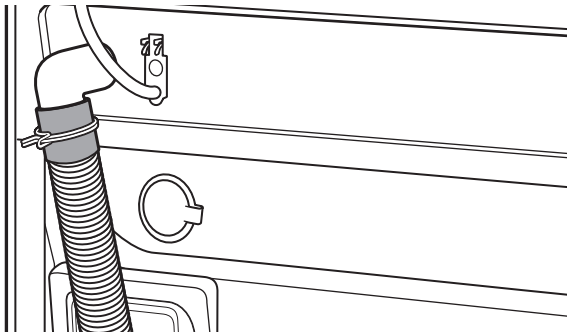
1. Usando pinzas de presión, apriete las lengüetas de la abrazadera para manguera para unir las e insértelas en el extremo de la manguera de desagüe.



- Deslice la manguera de desagüe en la conexión de la lavadora.



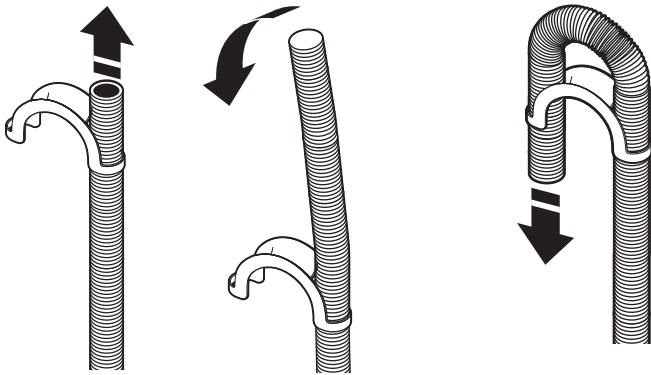
- Una vez que la manguera de desagüe esté en su lugar, suelte las pinzas.



El sistema de desagüe de la lavadora se puede instalar utilizando un desagüe de piso, un tubo vertical de pared, un tubo vertical de piso o una tina de lavadero.

Desagüe de tina de lavadero o desagüe de tubo vertical

Conecte el molde de la manguera de desagüe a la manguera de desagüe corrugada.



Para evitar que el agua de desagüe vuelva a la lavadora:

- Use el molde de la manguera de desagüe, y no fuerce el exceso de la manguera de desagüe dentro del tubo vertical. La manguera debe quedar asegurada pero lo suficientemente floja de modo que quede un espacio para el aire.
- No tienda el exceso de la manguera en el fondo de la tina de lavadero.

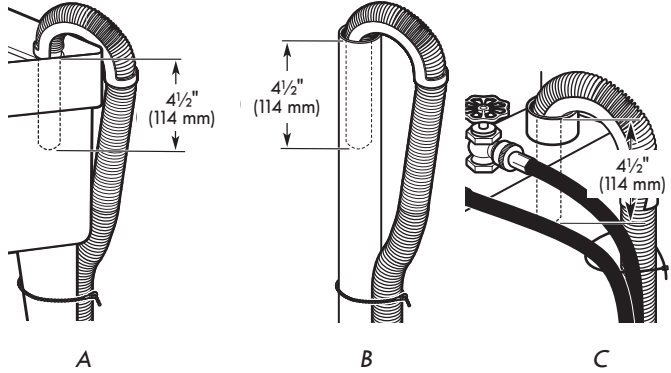
Desagüe de piso

Quizás necesite piezas adicionales. Vea Desagüe de piso "Herramientas y piezas."

Fijación de la manguera de desagüe

La manguera de desagüe debe asegurarse para evitar que se mueva cuando se drena agua. Si se mueve la manguera de desagüe, el agua puede terminar en el piso.

- Coloque el cable eléctrico encima de la lavadora.
- Mueva la lavadora a su ubicación final.
- Ubique la manguera de desagüe en la tina de lavadero o tubo vertical, como se muestra. Vea las ilustraciones A y B.



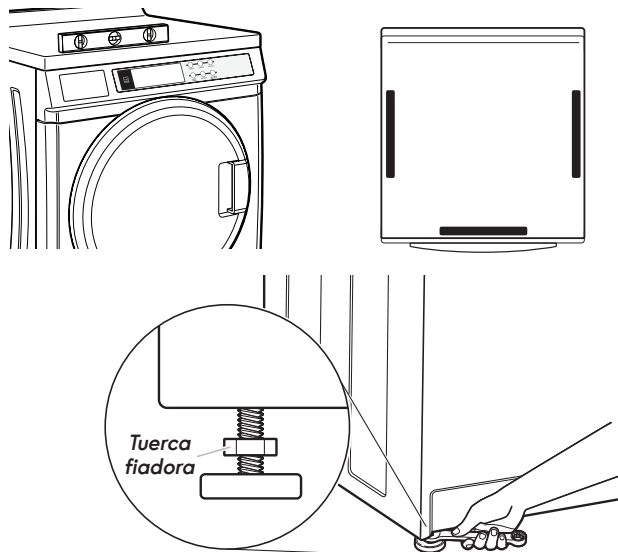
NOTAS:

- No fuerce el exceso de la manguera de desagüe nuevamente dentro de la parte posterior lavadora.
- Para evitar el efecto de sifón, no selle ni coloque más de 4 1/2" (114 mm) de la manguera de desagüe dentro del tubo de desagüe o tubo vertical.
- Si los grifos de la lavadora y el tubo vertical de desagüe están empotrados, ponga el extremo de la manguera de desagüe en forma de gancho en el tubo vertical, como se muestra. Vea la ilustración C.
- Es responsabilidad del instalador instalar y asegurar la manguera de drenaje en el drenaje/la plomería que se provee de una manera que impida que la manguera de drenaje se salga o presente fugas de la plomería/el drenaje.

Nivelación de la lavadora

La nivelación adecuadamente de la lavadora reduce el ruido y la vibración en exceso.

1. Revise si la lavadora está nivelada colocando un nivel en el borde superior de la lavadora, primero de lado a lado, luego del frente hacia atrás.



Si la lavadora está contra la pared, muévela ligeramente hacia afuera antes de inclinarla hacia atrás. Si la lavadora no está nivelada, primero apunte la parte frontal con un bloque de madera y regule las patas según sea necesario, después apunte la parte de atrás y regule las patas según sea necesario. Repita este paso hasta que la lavadora quede nivelada.

2. Asegúrese de que las cuatro patas estén estables y apoyadas en el piso. Después verifique que la lavadora esté perfectamente nivelada (use un nivel).
3. Cuando la lavadora esté nivelada, use una llave de boca de 9/16" (14 mm) para girar las tuercas fijadoras en las patas apretándolas contra la carcasa de la lavadora.
IMPORTANTE: Se deben apretar las cuatro patas. Si no se aprietan las tuercas contra la carcasa de la lavadora, la lavadora podría vibrar.
4. La lavadora no debe moverse del frente hacia atrás, de lado a lado o en forma diagonal cuando se la empuja de los bordes superiores.
5. Deslice la lavadora a su ubicación final.
6. Verifique la nivelación de la lavadora.

Complete la instalación

1. Revise los requisitos eléctricos. Asegúrese de contar con la fuente de electricidad correcta y el método recomendado de conexión a tierra. Vea "Requisitos eléctricos."
2. Verifique que todas las piezas estén ahora instaladas. Si hay alguna pieza extra, vuelva a revisar todos los pasos para ver qué se omitió.
3. Verifique que tenga todas las herramientas.
4. Deshágase de todos los materiales de embalaje o recíclelos.
5. Revise que los grifos de agua estén abiertos.
6. Verifique si hay fugas alrededor de los grifos y de las mangueras de entrada.

⚠ ADVERTENCIA



Peligro de Choque Eléctrico

Conecte a un contacto de pared de conexión a tierra de 3 terminales.

No quite la terminal de conexión a tierra.

No use un adaptador.

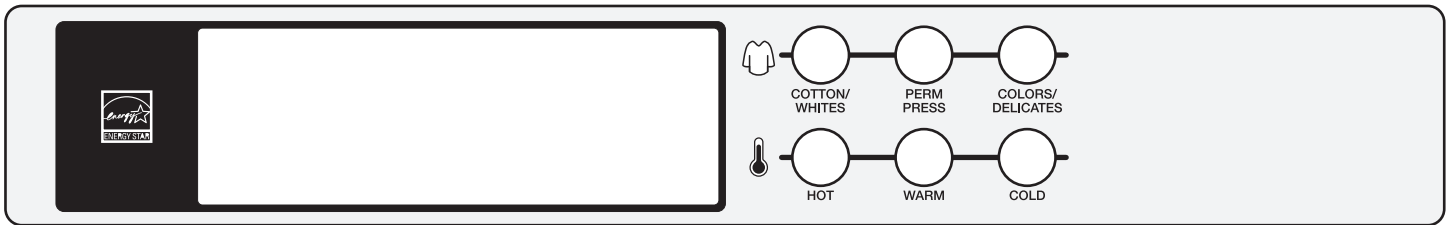
No use un cable eléctrico de extensión.

No seguir estas instrucciones puede ocasionar la muerte, incendio o choque eléctrico.

7. Conecte a un contacto de pared de conexión a tierra de 3 terminales.
8. Para probar y limpiar su lavadora, mida 1/2 de la cantidad de detergente de alto rendimiento (HE) recomendada por el fabricante para una carga mediana. Vierta el detergente en el depósito de detergente. Seleccione cualquier ciclo y permita que la lavadora termine un ciclo completo.



INSTRUCCIONES PARA EL USUARIO Y DE PROGRAMACIÓN



NOTA: Después de que se ha instalado y enchufado la lavadora, la pantalla mostrará "0 MINUTES" (0 minutos). Una vez que se ha enchufado la lavadora se haya abierto y cerrado la puerta de la lavadora, la pantalla mostrará el precio de venta. En las lavadoras que se hayan programado para dar ciclos gratuitos, destellará "SELECT CYCLE" (Seleccionar ciclo) en la pantalla.

1. Inserte las monedas hasta que destelle "SELECT CYCLE" (Seleccionar ciclo) en la pantalla.
2. La puerta se debe cerrar antes de seleccionar el ciclo.
3. Presione el botón de selección de telas para el ciclo de lavado deseado. Después de que ha comenzado el ciclo, el tiempo aparecerá en la pantalla e iniciará la cuenta regresiva.
4. Si un ciclo se interrumpe al abrir la puerta, "RESELECT CYCLE" (Vuelva a seleccionar el ciclo), destellará en la pantalla. Para volver a poner la lavadora en marcha cierre la puerta y vuelva a seleccionar el ciclo deseado.

Información general para el usuario

DESPLAZAMIENTO POR PANTALLA DEL MENSAJE "OUT OF ORDER" (FUERA DE SERVICIO)

Esta condición indica que la lavadora es inoperante.

APARECE "0 MINUTES" (0 MINUTOS) EN LA PANTALLA

Esto indica que el ciclo se ha completado y la lavadora no puede usarse. Las monedas ingresadas o los pagos con tarjeta de pago automático durante este estado se almacenarán como depósito pero no se podrán utilizar hasta restablecer el funcionamiento normal abriendo y cerrando la puerta. Si el interruptor de la puerta falla, este debe ser reemplazado antes de poder restablecer el funcionamiento normal.

INICIO EN FRÍO (La primera vez que se use)

La lavadora se ha programado de fábrica de la manera siguiente:

- Período de lavado de 11 minutos
- 3 enjuagues (no está activado el enjuague adicional)
- Precio de lavado \$2,00

INICIO CON AGUA TIBIA (después de un corte de corriente)

Unos segundos después de que se reestablezca la electricidad, si un ciclo se encontraba funcionando cuando ocurrió el corte de corriente, destellará "RESELECT CYCLE" (Vuelva a seleccionar el ciclo), lo cual indica que se necesita presionar un botón para que la secadora vuelva a funcionar.

BLOQUEO DE LA PUERTA

Antes de que comience un ciclo, se realiza una rutina de bloqueo/desbloqueo/nuevo bloqueo del seguro de la puerta y después se pone en marcha el ciclo. La puerta permanecerá bloqueada hasta el fin de un ciclo o aproximadamente por 2 minutos después de un corte de corriente.

PRECIOS

Después de que se ha abierto la puerta siguiendo la finalización de un ciclo, la pantalla indica el precio del ciclo (a menos que se haya programado para un funcionamiento gratuito). A medida que se ponen las monedas o se reciben los pagos con tarjeta de pago automático, la pantalla cambiará para guiar al usuario en el inicio de un ciclo.

CICLOS GRATUITOS

Esta opción se fija programando el precio en cero. Cuando esto ocurre, aparecerá "SELECT CYCLE" (Seleccionar ciclo) en lugar del precio del ciclo.

LISTA PARA TARJETA DE PAGO AUTOMÁTICO

Esta lavadora está lista para el "cable" de tarjetas de pago automático. Aceptará distintos sistemas de tarjeta de pago automático, pero NO se entrega con un lector de tarjeta de pago automático para obtener información sobre la preparación adecuada para las lavadoras. Para los modelos que se han sido convertidos para el sistema de tarjeta de pago automático Generación 1, cada señal de la tarjeta es equivalente a una moneda (moneda 1).

Procedimientos de programación del control

IMPORTANTE: Lea todas las instrucciones antes de usarla.

Inserte la llave de acceso para la puerta, gírela y levante para quitar la puerta de acceso.

Una vez que se haya instalado el lector de tarjeta de pago automático (según las instrucciones del fabricante de lectores), se puede ingresar al modo de programación insertando una tarjeta de programación (provista por el fabricante de lectores) en la ranura para tarjeta.

La lavadora se encuentra ahora en el modo de programación. Los tres botones inferiores y la pantalla digital se usan para la programación de los controles. En la pantalla se pueden mostrar cuatro números y/o letras y un punto decimal. Estos se usan para indicar los códigos de la programación y los valores de los códigos relacionados, los cuales se usan para programar la lavadora.

Una vez que se ha programado la lavadora con un lector de tarjeta de Generación 2, la lavadora se pondrá permanentemente en el modo dAS, y aparecerá en la pantalla dAS cada vez que se obtenga acceso al modo de programación.

Los botones inferiores de selección de telas y la pantalla digital se usan para programar los controles.

En la pantalla se pueden mostrar cuatro números y/o letras y un punto decimal. Éstos se usan para indicar los códigos de la programación y los valores relacionados de los códigos disponibles para la programación de la lavadora.

CÓMO UTILIZAR LOS BOTONES PARA PROGRAMAR LOS CONTROLES

1. El botón HOT (caliente) se utiliza para ajustar los valores asociados con los códigos de programación. El presionar el botón aumentará el valor en uno (1). Se pueden hacer ajustes rápidamente si se mantiene presionado el botón.
2. El botón WARM (tibia) le permitirá ver los códigos de programación. El presionar el botón le muestra el siguiente código de programación disponible. El mantener presionado el botón le muestra automáticamente todos los códigos de programación a una velocidad de uno (1) por segundo.
3. El botón COLD (fría) se usa para seleccionar o quitar opciones.

Comience la programación de funcionamiento

Antes de continuar, es importante mencionar que a pesar de todas las opciones disponibles, el dueño puede simplemente elegir desempacar una lavadora comercial nueva, hacer las conexiones necesarias, conectarla al suministro de energía y tener una lavadora que funciona.

Las lavadoras están prefijadas de fábrica para un período de lavado de 11 minutos y tres enjuagues (sin enjuague adicional).

CÓDIGOS DE PROGRAMACIÓN

- El botón WARM (Tibia) avanzará código por código.
- El botón HOT (Caliente) cambiará el valor del código.
- El botón COLD (Fría) seleccionará o quitará opciones.

El código de programación se indica con uno o los dos caracteres al lado izquierdo. El valor del código de programación se indica con los dos o tres caracteres al lado derecho.

NOTA: El primer renglón de cada código indica el ajuste de fábrica.

Código	Explicación
6 08	PRECIO DEL CICLO NORMAL (Valor por defecto de fábrica)
6 08	Cuando d.xx esté fijado en d.00, este valor de 6 xx representa el número de monedas (moneda 1) necesarias para poner en marcha la lavadora; puede ajustarse de 0 a 39. Cambie este valor presionando el botón HOT (Caliente). 6 08 = 8 monedas.
6 01	Cuando d.xx esté fijado en d.CS, este valor de 6 xx representa el número de empujes del tragamonedas para poner la lavadora en marcha. 6 01 sería el equivalente a la activación del deslizamiento de una moneda.
→	Presione el botón WARM (Tibia) una vez para ver el siguiente código.
7 11	DURACIÓN DE LAVADO
7 11	Este es el número de minutos para el WASH (ciclo de lavado). La lavadora viene prefijada de fábrica en 11 minutos. Elija de 9 a 17 minutos presionando el botón HOT (Caliente).
→	Presione el botón WARM (Tibia) una vez para ver el siguiente código.
8 00	OPCIÓN DE ENJUAGUE ADICIONAL Esta opción se SELECCIONA "ON" o NO SE SELECCIONA "OFF."
8 00	No seleccionada "OFF."
8 Ar	Seleccionada "ON." Presione el botón COLD (Fría) una vez para esta selección.
→	Presione el botón WARM (Tibia) una vez para ver el siguiente código.
9 00	OPCIÓN DE CONTADOR DE CICLOS Esta opción se SELECCIONA "ON" o NO SE SELECCIONA "OFF."
9 00	No seleccionada "OFF."
9 OC	Para seleccionar "ON" (Encendido) y que no se pueda anular. Presione el botón COLD (Fría) tres veces consecutivas para seleccionar "ON" (Encendido). Una vez que se seleccione "ON" (Encendido), no se puede cancelar la opción.
→	Presione el botón WARM (Tibia) una vez para ver el siguiente código.

Código	Explicación
1. 00	OPCIÓN DE CONTADOR DE DINERO Esta opción se SELECCIONA "ON" o NO SE SELECCIONA "OFF."
1. 00	No seleccionada "OFF."
1. OC	Seleccionada "ON." Presione el botón COLD (Fría) tres veces consecutivas para seleccionar "ON" (Encendido) y tres veces consecutivas para deseccionarla (No seleccionada "OFF" – Apagado). El contador pone la cuenta en cero cuando cambia de "OFF" a "ON."
→	Presione el botón WARM (Tibia) una vez para ver el siguiente código.
1. CO	Seleccionada "ON" (Encendido) y que no se pueda anular. Para seleccionar "ON" (Encendido) y que no se pueda anular, seleccione primero "ON" y luego, en menos de 2 segundos, presione dos veces el botón COLD (Fría), el botón HOT (Caliente) una vez y luego salga del modo de programación.
→	Presione el botón WARM (Tibia) una vez para ver el siguiente código.
2. 00	OPCIÓN DE PRECIOS ESPECIALES Esta opción se SELECCIONA "ON" o NO SE SELECCIONA "OFF."
2. 00	No seleccionada "OFF" y el próximo código disponible será A.00.
2. SP	Seleccionada "ON." Presione el botón COLD (Fría) una vez para hacer esta selección. Si se selecciona la OPCIÓN DE PRECIOS ESPECIALES, tendrá acceso a los códigos "3.XX" a "9.XX."
→	Presione el botón WARM (Tibia) una vez para ver el siguiente código.
OPCIONES DISPONIBLES SI SE SELECCIONA PRECIOS ESPECIALES:	
3. 08	PRECIO PARA CICLOS ESPECIALES
3. 08	Representa el número de monedas de 25 centavos (moneda 1) para poner en marcha un ciclo: puede ajustarse de 0 a 39. (Vea VALOR DE LA MONEDA 1.) Avance de 0 a 39 presionando el botón HOT (Caliente). Ajuste de fábrica de 8 monedas de 25 centavos = \$2,00.
→	Presione el botón WARM (Tibia) una vez para ver el siguiente código.
5. 00	RELOJ DE LA HORA DEL DÍA, MINUTOS
5. 00	Este es el reloj de la hora del día. Para ajustar los minutos, seleccione de 0 a 59 minutos presionando el botón HOT (Caliente).
→	Presione el botón WARM (Tibia) una vez para ver el siguiente código.
6. 00	RELOJ DE LA HORA DEL DÍA, HORAS NOTA: Utiliza el reloj de formato militar o de 24 horas.
6. 00	Este es el reloj de la hora del día. Para ajustar las horas, seleccione de 0 a 23 horas presionando el botón HOT (Caliente).
→	Presione el botón WARM (Tibia) una vez para ver el siguiente código.
7. 00	HORA EN LA QUE COMIENZA EL PRECIO ESPECIAL NOTA: Utiliza el reloj de formato militar o de 24 horas.
7. 00	Esta es la hora de inicio, de 0 a 23 horas. Seleccione la hora de inicio presionando el botón HOT (Caliente).
→	Presione el botón WARM (Tibia) una vez para ver el siguiente código.

Código	Explicación																								
OPCIONES DISPONIBLES SI SE SELECCIONA PRECIOS ESPECIALES (cont.):																									
8. 00	HORA EN LA QUE TERMINA EL PRECIO ESPECIAL NOTA: Utiliza el reloj de formato militar o de 24 horas.																								
8. 00	Esta es la hora en que termina, de 0 a 23 horas. Seleccione la hora de finalización presionando el botón HOT (Caliente). → Presione el botón WARM (Tibia) una vez para ver el siguiente código.																								
9. 10	DÍA DE PRECIO ESPECIAL																								
9. 10	Esto representa el día de la semana y si se seleccionó un precio especial para ese día. Un número seguido por un "0" indica que no se hizo una selección para ese día en particular (9.10). Un número seguido por la letra "S" indica que se hizo una selección para ese día (9.1S). Para cambiar el valor de "0" y "S", use el botón COLD (Fría). Los días de la semana (de 1 a 7) se seleccionan presionando el botón HOT (Caliente). Cuando salga del código de programación "9," la pantalla debe mostrar el día de la semana actual: <table border="1" style="margin-left: 40px; margin-top: 10px;"> <thead> <tr> <th>MUESTRA</th> <th>DÍA DE LA SEMANA</th> <th>CÓDIGO (seleccionado)</th> </tr> </thead> <tbody> <tr><td>10</td><td>Día 1 = Domingo</td><td>1S</td></tr> <tr><td>20</td><td>Día 2 = Lunes</td><td>2S</td></tr> <tr><td>30</td><td>Día 3 = Martes</td><td>3S</td></tr> <tr><td>40</td><td>Día 4 = Miércoles</td><td>4S</td></tr> <tr><td>50</td><td>Día 5 = Jueves</td><td>5S</td></tr> <tr><td>60</td><td>Día 6 = Viernes</td><td>6S</td></tr> <tr><td>70</td><td>Día 7 = Sábado</td><td>7S</td></tr> </tbody> </table> → Presione el botón WARM (Tibia) una vez para ver el siguiente código.	MUESTRA	DÍA DE LA SEMANA	CÓDIGO (seleccionado)	10	Día 1 = Domingo	1S	20	Día 2 = Lunes	2S	30	Día 3 = Martes	3S	40	Día 4 = Miércoles	4S	50	Día 5 = Jueves	5S	60	Día 6 = Viernes	6S	70	Día 7 = Sábado	7S
MUESTRA	DÍA DE LA SEMANA	CÓDIGO (seleccionado)																							
10	Día 1 = Domingo	1S																							
20	Día 2 = Lunes	2S																							
30	Día 3 = Martes	3S																							
40	Día 4 = Miércoles	4S																							
50	Día 5 = Jueves	5S																							
60	Día 6 = Viernes	6S																							
70	Día 7 = Sábado	7S																							
A. 00	OPCIÓN PARA VER EL DEPÓSITO Esta opción se SELECCIONA "ON" o NO SE SELECCIONA "OFF."																								
A. 00	No seleccionada "OFF."																								
A. SC	Seleccionada "ON." Presione el botón COLD (Fría) una vez para hacer esta selección. Cuando esté seleccionada, se podrán ver los recuentos de dinero o ciclos (si se seleccionaron las opciones de contador) cuando se retire la caja de monedas. → Presione el botón WARM (Tibia) una vez para ver el siguiente código.																								
b. 05	VALOR DE LA MONEDA 1																								
b. 05	Esto representa el valor de la moneda 1 en el número de monedas de 5 centavos: 05 = \$0,25. Al presionar el botón HOT (Caliente), tendrá la opción de 1 a 199 monedas de 5 centavos. Con la activación del tragamonedas, esto representa el precio de venta total en monedas de 5 centavos. Ejemplo: b.40 es igual a \$2,00. → Presione el botón WARM (Tibia) una vez para ver el siguiente código.																								
C. 20	VALOR DE LA MONEDA 2																								
C. 20	Esto representa el valor de la moneda 2 en la cantidad de monedas de 5 centavos. C.20 = \$1,00. Al presionar el botón HOT (Caliente), tendrá la opción de 1 a 199 monedas de 5 centavos. → Presione el botón WARM (Tibia) una vez para ver el siguiente código.																								

Código	Explicación
d. 00	OPCIÓN DE TRAGAMONEDAS Esta opción se selecciona "ON" o NO SE SELECCIONA "OFF."
d. 00	No seleccionada "OFF."
d. CS	Seleccionada "ON." Presione el botón COLD (Fría) tres veces consecutivas para esta selección. Cuando se selecciona el modo de tragamonedas, fije la "b." en un valor igual al del precio de venta en monedas de 5 centavos. Fije la etapa 6 (precio del ciclo normal) y la etapa 3 (precio para ciclos especiales) en el número de veces que funcione el tragamonedas. Si un instalador prepara "CS" en un modelo que funciona con depósito de monedas, no registrará monedas. → Presione el botón WARM (Tibia) una vez para ver el siguiente código.
E. 00	OPCIÓN DE AGREGAR MONEDAS Esta opción se selecciona "ON" o NO SE SELECCIONA "OFF." Esta opción hace que la pantalla del cliente muestre el número de monedas (moneda 1) que se deben colocar, en lugar de la cantidad monetaria.
E. 00	No seleccionada "OFF."
E. AC	Seleccionada "ON." Presione el botón COLD (Fría) tres veces consecutivas para esta selección. → Presione el botón WARM (Tibia) una vez para ver el siguiente código.
F. 00	OPCIÓN DE PRECIO MEJORADO
F. 00	No seleccionada "OFF."
F. SU	Precio de ciclo súper activado. Esta opción permite que los clientes mejoren los ciclos depositando más dinero. Aparecerán en la pantalla los códigos para fijar "H." y "h." solamente cuando esté activada esta opción. Presione el botón COLD (Fría) para esta selección. → Presione el botón WARM (Tibia) una vez para ver el siguiente código.
H. 01	PRECIO PARA MEJORAR AL CICLO SÚPER (Se saltea a menos que se active el precio del Ciclo Súper.)
H. 01	Esto representa el número de monedas 1 que se necesitan para cambiar de un ciclo básico a uno súper. Avance de 0 a 33 presionando el botón HOT (Caliente). → Presione el botón WARM (Tibia) una vez para ver el siguiente código.
h. 01	TIPO DE CICLO SÚPER (Se saltea a menos que se active el precio del Ciclo Súper.)
h. 01	Esto representa la opción para mejorar el Ciclo Súper. Presione el botón HOT (Caliente) para ir a las opciones de mejora 1 a 3, como sigue: 01 – lavado mejorado, 3 minutos adicionales de rotación de lavado más el tiempo de lavado programado. 02 – enjuague adicional para todos los ciclos. 03 – tanto 01 como 02. → Presione el botón WARM (Tibia) una vez para ver el siguiente código.

Código	Explicación
J. Cd	MODO DE PAGO (OPCIÓN DE MONEDA/TARJETA DE PAGO AUTOMÁTICO)
J. Cd	Se han seleccionado tanto moneda como el pago con tarjeta de pago automático. Presione el botón COLD (Fría) tres veces consecutivas para cambiar esta selección.
J. C_	Pago con monedas activado, pago con tarjeta de pago automático desactivado. Presione el botón COLD (Fría) tres veces consecutivas para cambiar esta selección.
J. _d	Tarjeta de pago automático seleccionada, pago con monedas desactivado. Presione el botón COLD (Fría) tres veces consecutivas para cambiar esta selección.
J. Ed	El modo mejorado de tarjeta de pago automático se elige automáticamente cuando un lector de tarjeta de generación 2 se instala en la lavadora. La opción Ed no se puede seleccionar ni anular manualmente. → Presione el botón WARM (Tibia) una vez para ver el siguiente código.
L. 00	OPCIÓN DE SUPRIMIR EL PRECIO Esta opción hace que la pantalla del cliente muestre "ADD" (Agregar) o "AVAILABLE" (Disponible) en lugar de la cantidad de dinero que hay que agregar. (Se usa principalmente en las instalaciones para tarjeta de pago automático.)
L. 00	No seleccionada "OFF."
L. PS	Seleccionada "ON." Presione el botón COLD (Fría) una vez para esta selección. → Presione el botón WARM (Tibia) una vez para ver el siguiente código.
n. CE	OPCIÓN PARA BORRAR LA CANTIDAD EN EL DEPÓSITO Cuando se selecciona, si hay dinero en el depósito durante 30 minutos sin haberse seleccionado un ciclo o sin agregar más dinero, se borrará este monto.
n. 00	No seleccionada "OFF."
n. CE	Seleccionada "ON." Presione el botón COLD (Fría) una vez para esta selección. → Presione el botón WARM (Tibia) una vez para ver el siguiente código.
U. 00	COMPENSACIÓN DE INCREMENTO DE CENTÉSIMOS
U. 00	Esto representa la compensación del precio en incremento de centavos que se usa en los lectores de tarjeta de Generación 2. Elija de 0 a 4 centavos presionando el botón HOT (Caliente). → Presione el botón WARM (Tibia) una vez para ver el siguiente código.
AI. 00	DURACIÓN DEL PRELAVADO
AI. 00	Este es el número de minutos para el PREWASH (Prelavado). Elija 0 para desactivar el prelavado, o seleccione entre 2 y 7 minutos presionando el botón HOT (Caliente). → Presione el botón WARM (Tibia) una vez para ver el siguiente código.

Si se selecciona el contador de ciclos (9 0C), lo siguiente es verdad:

1 00	Número de ciclos en CIENTOS	1 <u>02</u> = 200
2 00	Número de ciclos en UNIDADES	2 <u>25</u> = 25
TOTAL DE CICLOS		= 225

Esto es "SÓLO PARA VERSE" y no se puede borrar.

Presione el botón de WARM una vez para ver el siguiente código.

Si se selecciona el contador de dinero (1.0C ó 1.CO), lo siguiente es verdad:

3 00	Número de dólares en CIENTOS	3 <u>01</u> = \$ 100,00
4 00	Número de dólares en UNIDADES	4 <u>68</u> = \$ 68,00
5 00	Número de CENTAVOS	5 <u>75</u> = \$ 00,75
Total		= \$ 168,75

FIN DE LOS PROCEDIMIENTOS DE LA PROGRAMACIÓN

CÓMO SALIR DEL MODO DE PROGRAMACIÓN

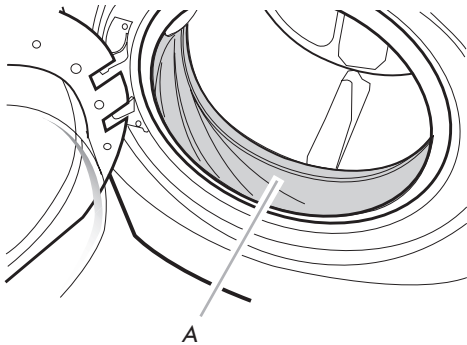
- Cierre la puerta de acceso de servicio.
- Saque la tarjeta de programación manual.

MANTENIMIENTO DE LA LAVADORA

Cómo limpiar la lavadora

Limpeza del sello/fuelle de la puerta

1. Abra la puerta de la lavadora y saque la ropa o artículos que se encuentran en el interior.
2. Inspeccione la puerta interior de vidrio. Si hay desechos en ésta, límpiela con un paño húmedo.
3. Inspeccione el sello/fuelle de color que se encuentra entre la abertura de la puerta y el tambor para detectar si hay áreas manchadas. Empuje el sello/fuelle hacia atrás para inspeccionar todas las áreas debajo del sello/fuelle y revisar si hay objetos extraños.



A. Sello/Fuelle

4. Si se encuentran áreas manchadas en el sello/fuelle, límpielas usando el siguiente procedimiento:
 - a) Mezcle una solución diluida, usando 3/4 taza (177 mL) de blanqueador líquido con cloro y 1 galón (3,8 L) de agua tibia de grifo.
 - b) Limpie el área del sello/fuelle con la solución diluida y un paño húmedo.
 - c) Déjelo reposar durante 5 minutos.
 - d) Limpie el área meticulosamente con un paño seco y deje que el interior de la lavadora se seque al aire con la puerta abierta.

IMPORTANTE:

- Use guantes de goma cuando limpie por períodos prolongados.
- Vea las instrucciones de uso adecuado provistas por el fabricante del blanqueador.

Procedimiento para el mantenimiento de la lavadora

Esta lavadora tiene un ciclo especial que utiliza mayores volúmenes de agua, junto con blanqueador líquido con cloro, para limpiar meticulosamente el interior de su lavadora.

NOTAS:

- Lea estas instrucciones en su totalidad antes de comenzar el proceso de limpieza.
- Si fuera necesario, el ciclo de limpieza puede ser interrumpido al presionar el botón COLD (Fría) dos veces. Sin embargo, el ciclo no se detendrá inmediatamente. La lavadora continuará con varios pasos de enjuague y desagüe para asegurar que se haya enjuagado todo el blanqueador de la lavadora.

Comience el procedimiento

1. Abra la puerta de la lavadora y saque la ropa o artículos que se encuentran en el interior.
2. **Use blanqueador líquido con cloro:**
Abra la gaveta de depósito y agregue inmediatamente 2/3 de taza (160 mL) el compartimiento del blanqueador.
NOTA: No agregue ningún detergente a este ciclo. Si usa más de 2/3 de taza (160 mL) de blanqueador, el producto se dañará con el tiempo.
3. Cierre la puerta de la lavadora y la gaveta de depósito.
4. Para poner a funcionar el ciclo de Clean Washer (Limpiar la lavadora), primero ingrese "Start Operating Setup" (Iniciar la programación de funcionamiento). Mantenga presionado COLD (Fría) durante 1 segundo. Con la pantalla completa destellando, presione COLORS/DELICATES (Ropa de color/Ropa delicada).
NOTA: El tambor girará, la puerta se destrabará, se trabará nuevamente y después continuará el ciclo.
 - La lavadora no se llenará, pero el tambor rotará mientras la lavadora hace un ciclo corto de detección. Esto tardará aproximadamente 3 minutos.
5. El ciclo determinará si hay ropa u otros artículos en la lavadora.
 - a) Si no se detectan artículos en la lavadora, ésta procederá al paso 7.
 - b) Si se detecta algún artículo en la lavadora, la pantalla mostrará "rL" o "F-34." Luego, la puerta se desbloqueará.
 - Presione COLD (Fría) para anular el código de falla. Después repita los pasos 1, 3 y 4 para comenzar nuevamente el ciclo.
6. Una vez que haya comenzado el ciclo, deje que éste finalice.
7. Una vez que haya finalizado el ciclo, deje la puerta levemente abierta para que haya una mejor ventilación y secado del interior de la lavadora.

Siempre haga lo siguiente para mantener la frescura de la lavadora:

- Use solamente detergente de alto rendimiento "HE."
- Deje la puerta levemente abierta luego de cada ciclo para que haya una mejor ventilación y secado del interior de la lavadora.
- Limpie la lavadora cada mes usando el Procedimiento de mantenimiento para la lavadora, usando 2/3 taza (160 mL) de blanqueador líquido con cloro.
- Si el procedimiento no mejora suficientemente la frescura de la lavadora, sírvase evaluar su instalación y las condiciones de uso para detectar otras causas.

Limpeza externa

Use un paño suave y húmedo o una esponja para limpiar cualquier derrame. De vez en cuando, limpie el exterior de su lavadora para que se vea como nueva. Use jabón suave y agua. No use productos abrasivos.

Limpeza de la gaveta de depósito

La gaveta de depósito es desmontable para facilitar la limpieza.

1. Destrabe la gaveta de depósito presionando la palanca de desenganche. Retire la gaveta.
2. Quite los insertos (el sifón de los compartimientos del suavizante y del blanqueador).
3. Lave las piezas con agua de grifo.
NOTA: No lave los componentes en la lavavajillas.
4. Vuelva a colocar los insertos y coloque nuevamente el depósito en la gaveta.

Mangueras de entrada de agua

Reemplace las mangueras de entrada de agua después de 5 años de uso para reducir el riesgo de que fallen. Inspeccione periódicamente y cambie las mangueras de entrada de agua si se hallan protuberancias, torceduras, cortes, desgaste o pérdidas de agua.

Cuando reemplace sus mangueras de entrada de agua, anote la fecha de reposición en la etiqueta con un marcador permanente.

PIEZAS ALTERNATIVAS Y ACCESORIOS

Piezas alternativas

Su instalación puede requerir piezas adicionales. Si le interesa comprar uno de los artículos que se enumeran aquí, llame al número gratuito que se indica en la contraportada de esta Instrucciones de instalación.

Si tiene	Necesitará adquirir
Tina de lavadero o tubo vertical de más de 96" (2,4 m) de altura	Sistema de bomba de sumidero (si no está disponible aún)
Alcantarilla suspendida	Tina con desagüe estándar de 20 galones (76 L) y 30" (762 mm) de altura o un fregadero de uso general y una bomba de sumidero (en venta en establecimientos de plomería locales)
Desagüe de piso	Desviación de sifón, pieza número 285834; manguera de desagüe adicional, pieza número 8318155; y juego de conectores, pieza número 285835
Manguera de desagüe muy corta	Juego de extensión para manguera de desagüe de 4 pies (1,2 m), pieza número 285863
Grifos del agua fuera del alcance de las mangueras de llenado	2 mangueras de llenado de agua más largas: 6 pies (1,8 m) pieza número 76314 10 pies (3,0 m) pieza número 350008

Accesorios

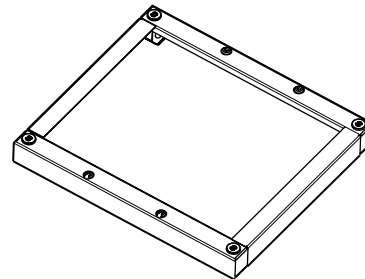
Realce su lavadora con estos accesorios de calidad superior. Para ver más artículos de alta calidad o para hacer un pedido, llame al número gratuito que se indica en la contraportada de esta Instrucciones de instalación.

Número de pieza	Accesorio
8212526	Bandejas de goteo para lavadora, encaja debajo de la lavadora completa
31682	Limpiador multiuso para electrodomésticos
1903WH	Carro de almacenamiento para artículos de lavandería

Opciones

Pedestal

Usted tiene la opción de comprar pedestales por separado para esta lavadora. El pedestal se añadirá a la altura total de su lavadora.



Pedestal opcional

Altura del pedestal	Altura aproximada con la lavadora	Color	Número de pieza
27/8" (73 mm)	47,5" (1207 mm)	Blanco	WHP0400VW

GARANTÍA

GARANTÍA DE LOS ELECTRODOMÉSTICOS DE KENMORE

GARANTÍA LIMITADA DE KENMORE

DURANTE UN AÑO a partir de la fecha de venta de este electrodoméstico, el aparato posee garantía contra defectos en los materiales o en la mano de obra cuando se instale, opere y mantenga correctamente de acuerdo con todas las instrucciones provistas.

CON EL COMPROBANTE DE VENTA, un electrodoméstico defectuoso recibirá la reparación o sustitución gratuita, a discreción del vendedor.

Para obtener detalles de la cobertura de la garantía sobre reparaciones y repuestos sin cargo, visite la página web: www.kenmore.com/warranty.

Esta garantía cubre SOLAMENTE los defectos de material y mano de obra, y NO pagará por:

1. Los artículos no reutilizables que puedan gastarse con el uso normal, incluyendo, pero sin limitación, filtros, correas, bolsas y bombillas de luz con rosca en la base.
2. Un técnico de servicio para limpiar o mantener este electrodoméstico o para enseñarle al usuario la correcta instalación, uso y mantenimiento de este.
3. Visitas del servicio técnico para corregir la instalación del electrodoméstico la cual no fue realizada por agentes autorizados del servicio técnico de Sears, o para reparar problemas con fusibles domésticos, cortacircuitos, cableado de la casa y plomería o sistemas de suministro de gas que resulten de tal instalación.
4. Daños o fallas en el electrodoméstico que resulten de la instalación la cual no fue realizada por agentes autorizados de servicio técnico de Sears, lo que incluye instalaciones que no se realizaron de acuerdo con los códigos eléctricos, de gas o de plomería.
5. Daños o fallas en el electrodoméstico, lo que incluye decoloración u óxido en la superficie, si no se hizo un uso y mantenimiento correcto de acuerdo con todas las instrucciones provistas.
6. Daños o fallas en el electrodoméstico, lo que incluye decoloración u óxido en la superficie como consecuencia de un accidente, alteración, abuso, uso indebido o un uso diferente de aquél para el cual fue diseñado.

7. Daños o fallas en el electrodoméstico lo que incluye decoloración u óxido en la superficie causados por el uso de detergentes, limpiadores, productos químicos o utensilios diferentes de los recomendados en todas las instrucciones provistas con el producto.
8. Daños o fallas en piezas o sistemas como resultado de modificaciones no autorizadas que se hayan efectuado en este electrodoméstico.
9. Servicio técnico a un electrodoméstico si la placa de modelo y número de serie falta, está alterada o no puede determinarse con facilidad el logotipo de certificación correspondiente.

EXCLUSIÓN DE GARANTÍAS IMPLÍCITAS; LIMITACIÓN DE RECURSOS

El único y exclusivo recurso del cliente según los términos de esta garantía limitada será el de reparar o sustituir el producto según se estipula en la presente. Las garantías implícitas, incluyendo las garantías de comerciabilidad o de capacidad para un propósito particular, serán limitadas a un año o al período más corto permitido por ley. El vendedor no se hará responsable por daños incidentales o consecuentes. Algunos estados y provincias no permiten la exclusión o limitación de daños incidentales o consecuentes, la limitación acerca de cuánto debe durar una garantía implícita de comerciabilidad o capacidad, de modo que las limitaciones o exclusiones arriba mencionadas pueden no aplicarse en su caso.

Esta garantía se aplica sólo mientras este electrodoméstico se usa en los Estados Unidos.

Esta garantía le otorga derechos legales específicos, y es posible que usted tenga también otros derechos, los cuales varían de un estado a otro.

**Sears Brands Management Corporation
Hoffman Estates, IL 60179 U.S.A.**

NOTAS

NOTAS

Kenmore®

Customer Care Hotline

To schedule in-home repair service
or order replacement parts

Para pedir servicio de reparación
a domicilio, y ordenar piezas

1-844-553-6667

www.kenmore.com

