

Dryer

User manual

DV22N685*H* / DV22N680*H*

SAMSUNG

Contents

Safety information	4
What you need to know about the safety instructions	4
Important safety symbols	4
CALIFORNIA PROPOSITION 65 WARNING	5
Important safety precautions	5
Warnings	7
Cautions	7
Before installation	9
Key installation requirements	9
Location considerations	9
Electrical requirements	12
Installation	14
What's included	14
Step-by-step installation	16
STEP 1 Connect the electrical wiring	16
STEP 2 Level the dryer	18
Drain hose (if necessary)	20
Installation checklist	23
Before using the dryer	23
Switching the door position	24
Before you start	28
Sort and load	28
Functional prerequisite	28
Operations	29
Control panel	29
Simple steps to start	32
Cycle overview	33
Cycle guide	34
Special features	36
SmartThings	37

Maintenance	43
Control panel	43
Tumbler	43
Stainless steel tumbler	43
Dryer exterior	43
Lint filter	43
Water tank	45
Heat exchanger	46
Troubleshooting	48
Checkpoints	48
Information codes	50
Specifications	51
Fabric care chart	51
Protecting the environment	52
Specification sheet	53
Cycle chart	54

Safety information

Congratulations on your new Samsung dryer. This manual contains important information on the installation, use and care of your appliance. Please take some time to read this manual to take full advantage of your dryer's many benefits and features.

Install the clothes dryer according to the manufacturer's instructions and local codes.

What you need to know about the safety instructions

Please read this manual thoroughly to ensure that you know how to safely and efficiently operate the extensive features and functions of your new appliance. Please store the manual in a safe location close to the appliance for future reference. Use this appliance only for its intended purpose as described in this instruction manual.

Warnings and Important Safety Instructions in this manual do not cover all possible conditions and situations that may occur. It is your responsibility to use common sense, caution and care when installing, maintaining and operating your dryer.

Because the following operating instructions cover various models, the characteristics of your dryer may differ slightly from those described in this manual and not all warning signs may be applicable. If you have any questions or concerns, contact your nearest service center or find help and information online at www.samsung.com.

Important safety symbols

What the icons and signs in this user manual mean:

WARNING

Hazards or unsafe practices that may result in severe personal injury, death and/or property damage.

CAUTION

Hazards or unsafe practices that may result in personal injury and/or property damage.

NOTE

Indicates that a risk of personal injury or material damage exists.

These warning signs are here to prevent injury to yourself and others.

Please follow them explicitly.

After reading this manual, store it in a safe place for future reference.

Read all instructions before using the appliance.

As with any equipment that uses electricity and moving parts, potential hazards exist.

To safely operate this appliance, familiarize yourself with its operation and exercise care when using it.

SAVE THESE INSTRUCTIONS

CALIFORNIA PROPOSITION 65 WARNING

WARNING

Cancer and Reproductive Harm - www.P65Warnings.ca.gov.

WARNING - Risk of Fire

- Clothes dryer installation must be performed by a qualified installer.
- Install the clothes dryer according to the manufacturer's instructions and local codes.
- To reduce the risk of severe injury or death, follow all installation instructions.
- Save these instructions.

Important safety precautions

WARNING

To reduce the risk of fire, electric shock, or injury to persons when using your appliance, follow basic precautions, including the following:

1. Read all instructions before using this appliance.
2. Do not dry articles that have been previously cleaned in, washed in, soaked in, or spotted with gasoline, dry-cleaning solvents, or other flammable or explosive substances, as they give off vapors that could ignite or explode.
3. Do not use the dryer to dry clothes which have traces of any flammable substance, such as vegetable oil, cooking oil, machine oil, flammable chemicals, paint thinner, etc., or anything containing wax or chemicals, such as mops and cleaning cloths. Flammable substances may cause the fabric to catch fire by itself.
4. Do not store or use gasoline or other flammable vapors and liquids near this or any other appliance.
5. Do not allow children to play on or in the appliance. Close supervision of children is necessary when the appliance is used near children.
6. Before the appliance is removed from service or discarded, remove the door to the drying compartment.
7. Do not reach into the appliance if the drum is moving.
8. Do not install or store this appliance where it will be exposed to the weather.
9. Do not tamper with internal controls.

SAVE THESE INSTRUCTIONS

Safety information

10. Do not repair or replace any part of the appliance or attempt any service unless specifically recommended in the user-maintenance instructions or in published user-repair instructions that you understand and have the skills to carry out.
11. Do not use fabric softeners or products to eliminate static unless recommended by the manufacturer of the fabric softener or product.
12. Clean the lint screen before or after each load.
13. Do not use heat to dry articles containing foam rubber or similarly textured rubber-like materials.
14. The interior of the appliance should be cleaned periodically by qualified service personnel.
15. Do not place items exposed to cooking oils in your dryer. Items contaminated with cooking oils may contribute to a chemical reaction that could cause a load to catch fire. To reduce the risk of fire due to contaminated loads, the final part of a tumble dryer cycle occurs without heat (cool down period). Avoid stopping a tumble dryer before the end of the drying cycle unless all items are quickly removed and spread out so that the heat is dissipated.
16. This appliance must be grounded. See “**Electrical requirements**” and “**Grounding**” in “**Installation**” section.
17. Do not allow children to play on or in the appliance. Close supervision of children is necessary when the appliance is used near children.
18. Do not insert your hand under the dryer.
 - This may result in injury.
19. Take care that children’s fingers are not caught in the door when closing it.
 - This may result in injury.

SAVE THESE INSTRUCTIONS

⚠ WARNING - To reduce the risk of fire or explosion:

- Do not dry items that have been previously cleaned, washed, soaked, or spotted with gasoline, dry cleaning solvents, or other flammable or explosive substances. They emit vapors that could ignite or explode. Any material that has been in contact with a cleaning solvent or flammable liquids or solids should not be placed in the dryer until all traces of these flammable liquids or solids and their fumes have been removed. There are many highly flammable items used in homes, such as acetone, denatured alcohol, gasoline, kerosene, some liquid household cleaners, some spot removers, turpentine, waxes, and wax removers.
- Do not dry items containing foam rubber (may be labeled latex foam) or similarly textured rubber-like materials on a heat setting. Heated foam rubber materials can, under certain circumstances, ignite spontaneously.

Warnings**⚠ WARNING**

- Ensure pockets are free of small, irregularly shaped hard objects and foreign material, i.e. coins, knives, pins, etc. These objects could damage your dryer.
- Sharp Edges – To reduce the risk of injury, use care when cleaning the condenser or evaporator coil fins.
- Certain internal parts are intentionally not grounded and may present a risk of electric shock only during servicing. Service Personnel - Do not contact the following parts while the appliance is energized: Control board, Motor, Drain pump.

Cautions**⚠ CAUTION**

- Do not allow children or pets to play on, in, or in front of the appliance. Close supervision is necessary when the appliance is used near children and pets.
- Before discarding or removing your dryer from service, remove the door to the drying compartment to prevent children or animals from becoming trapped inside.
- Do not reach into the appliance when the drum is moving.
- Do not install or store this appliance where it will be exposed to the weather.
- Do not tamper with the controls.
- Do not repair, replace, or attempt to service any part of the appliance unless specifically instructed to in the user-repair instructions and you have the understanding and skills to carry out the procedure.

SAVE THESE INSTRUCTIONS

Safety information

- Do not use fabric softeners or products to eliminate static unless the softener or product is recommended for dryer use by the manufacturer of the fabric softener or product.
- Clean the lint screen before or after each load.
- Keep the area around the exhaust opening and surrounding areas free from lint, dust, and dirt.
- The interior of the dryer and exhaust duct should be cleaned periodically by qualified service personnel.
- This appliance must be properly grounded. Never plug the power cord into a receptacle that is not grounded adequately or not in accordance with local and national codes. See the installation instructions for information about grounding this appliance.
- Do not sit on top of the dryer.
- Do not dry clothing with large buckles, buttons, or other heavy metal or solid objects.
- Install and use in accordance with the manufacturer's instructions.
- Do not place items in your dryer that have been spotted or soaked with vegetable oil or cooking oil. Even after being washed, these items may contain significant amounts of these oils.
- Residual oil on clothing can ignite spontaneously. The potential for spontaneous combustion increases when items containing vegetable oil or cooking oil are exposed to heat. Heat sources such as your dryer can warm these items, allowing an oxidation reaction in the oil to occur. Oxidation creates heat. If this heat cannot escape, the items can become hot enough to catch fire. Piling, stacking, or storing these kinds of items may prevent heat from escaping and can create a fire hazard.
- All washed and unwashed fabrics that contain vegetable oil or cooking oil can be dangerous.

Washing these items in hot water with extra detergent will reduce, but not eliminate, the hazard. Always use the Cool Down cycle for these items to reduce their temperature. Never remove these items from the dryer hot or interrupt the drying cycle until the items have run through the Cool Down cycle. Never pile or stack these items when they are hot.

SAVE THESE INSTRUCTIONS

Before installation

Read through the following instructions before installing the dryer, and keep this manual for future reference.

WARNING

Certain internal parts are intentionally not grounded and may present a risk of electric shock only during servicing. Service Personnel - Do not contact the following parts while the appliance is energized: Control board, Motor, Drain pump.

Key installation requirements

- A grounded electrical outlet.
- A power cord for electric dryers (except in Canada).
- A sink or drain pipe if you want to drain the water captured during drying through the supplied long drain hose. (See page 20.)

WARNING

Remove the door from all discarded appliances to prevent a child from suffocating.

Location considerations

- Adequate clearances between the dryer and adjacent walls or other surfaces.
- Adequate air circulation for ventilation.
- Away from water and weather.

WARNING

- Keep the dryer area clear of combustible materials, gasoline, and other flammable vapors and liquids.
- Do not install other fuel-burning appliances around or in the same place as the dryer.
- Place dryer at least 18 in (460 mm) above the floor for a garage installation.

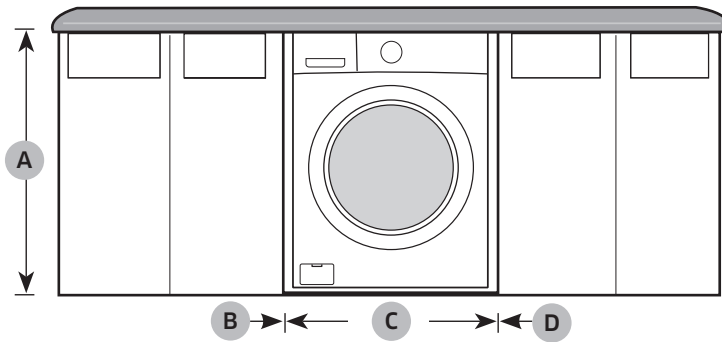
Alcove or closet installation

Minimum clearances between the dryer and adjacent walls or other surfaces are: 1" (25 mm) in front, 1" (25 mm) on top, 1"(25 mm) on either side, and 2" (50 mm) in the back.

The closet front must have two unobstructed air openings for a combined minimum total area of 72 in² (465 cm²) with 1" (2.5 cm) minimum clearance on the top and bottom. A louvered door with equivalent space clearance is acceptable.

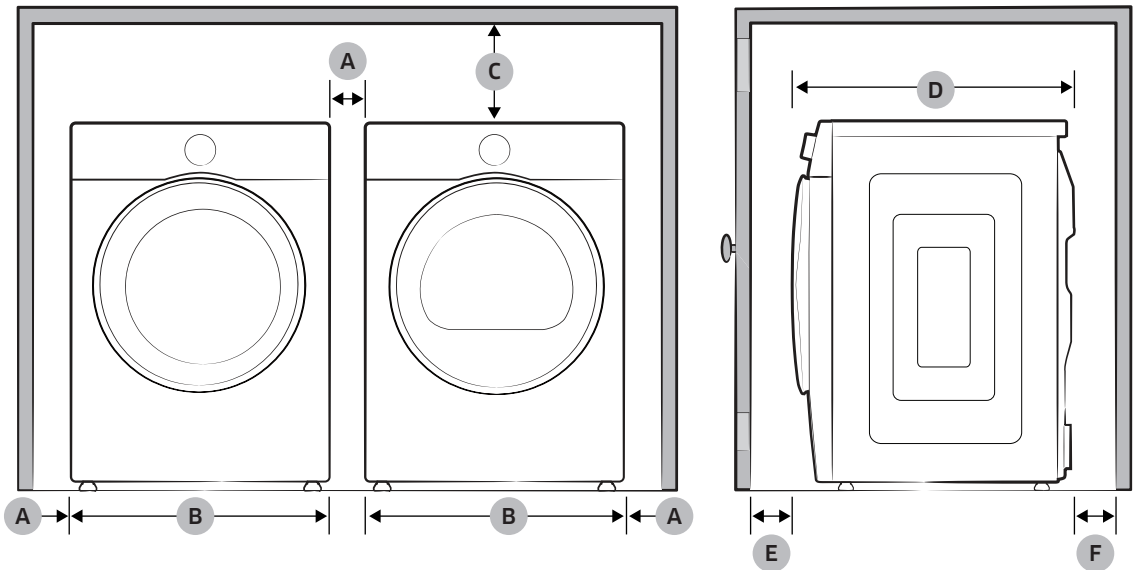
Before installation

Undercounter installation



A	34.4 in. (875 mm)	C	23.6 in. (600 mm)
B	1 in. (25 mm)	D	1 in. (25 mm)

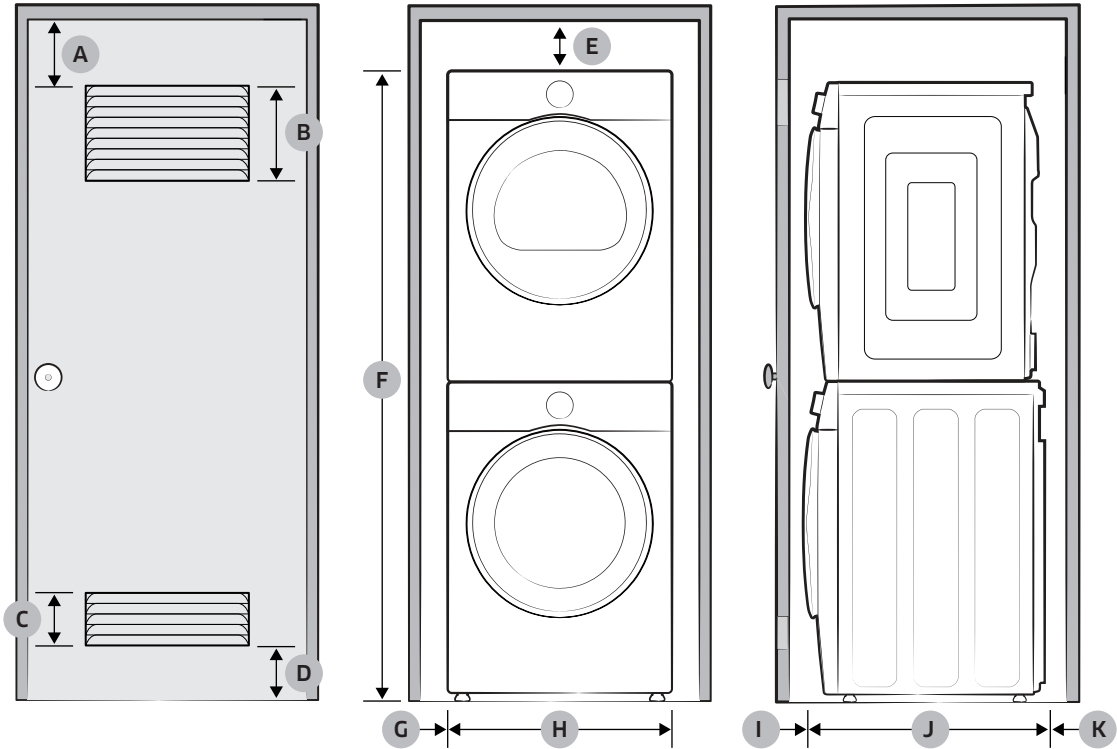
Side by side installation



A*	1 in. (25 mm)	D	25.6 in. (650 mm)
B	23.6 in. (600 mm)	E	1 in. (25 mm)
C	1 in. (25 mm)	F	2 in. (50 mm)

* This Clearance is not applicable to standalone dryer.

Stacked installation (Model: SK-DH)



A	3 in. (76 mm)	G	1 in. (25 mm)
B	48 in ² . (310 mm ²)	H	23.6 in. (600 mm)
C	24 in ² . (155 mm ²)	I	1 in. (25 mm)
D	3 in. (76 mm)	J	27.1 in. (688 mm)
E	6 in. (152 mm)	K	2 in. (50 mm)
F	67 in. (1702 mm)		

⚠ WARNING

Samsung's washers and dryers can be stacked to maximize usable space. You can purchase an optional stacking kit from your Samsung retailer.

Before installation

Electrical requirements

The wiring diagram is located on the plate under the control panel or rear frame.

WARNING

- Improperly connecting the equipment grounding conductor can result in a risk of electric shock. Check with a qualified electrician or serviceman if you are in doubt as to whether your dryer is properly grounded. Do not modify the plug provided with your dryer – if it doesn't fit the outlet, have a proper outlet installed by a qualified electrician.
- To prevent unnecessary risk of fire, electrical shock, or personal injury, all wiring and grounding must be done in accordance with local codes, or in the absence of local codes, in accordance with the National Electrical Code, ANSI/NFPA No. 70-Latest Revision (for the U.S.) or the Canadian Electrical Code CSA C22.1 – Latest Revisions and local codes and ordinances. It is your responsibility to provide adequate electrical service for your dryer.

Grounding

This dryer must be grounded. In the event of a malfunction or breakdown, the ground will reduce the risk of electrical shock by providing a path of least resistance for the electrical current.

WARNING

- Your dryer has an optional cord with an equipment-grounding conductor and a grounding plug. This cord is sold separately.
- The plug must be plugged into an appropriate outlet that is properly installed and grounded in accordance with all local codes and ordinances.
- Do not modify the plug provided with your dryer – if it doesn't fit the outlet, have a proper outlet installed by a qualified electrician.
- If a power cord is not used and the electric dryer is to be permanently wired, the dryer must be connected to a permanently grounded metal wiring system, or an equipment grounding conductor must be run with the circuit conductors and connected to the equipment grounding terminal or lead on the dryer.

Electrical connections

Before operating or testing, follow all grounding instructions in the “**Grounding**” section. An individual branch (or separate) circuit serving only your dryer is recommended.

Do not use an extension cord.

U.S. only

Most U.S. dryers require a 240 volt, 60 Hz AC approved electrical service. Some require 208 volt, 60 Hz approved electrical service. The electric service requirements can be found on the data label located behind the door. A 30-ampere fuse or circuit breaker on both sides of the line is required.

- If a power cord is used, the cord should be plugged into a 30-ampere receptacle.
- The power cord is not provided with U.S. electric model dryers. This cord is sold separately.

WARNING

Risk of Electric Shock

When local codes allow, you can connect the dryer’s electrical supply with a new power supply cord kit, marked for use with a dryer, that is U.L. listed and rated at a minimum of 240 volts, 30-amperes with three No. 10 copper wire conductors terminated with closed loop terminals, open-end spade lugs with turned up ends, or with tinned leads.

- Do not reuse a power supply cord from an old dryer. The power cord electric supply wiring must be supported at the dryer cabinet by a suitable UL-listed strain relief.

- Grounding through the neutral conductor is prohibited for (1) new branch-circuit installations, (2) mobile homes, (3) recreational vehicles, and (4) areas where local codes prohibit grounding through the neutral conductor. (Use a 4-prong plug for a 4 wire receptacle, NEMA type 14-30R.)

Canada Only

- A 240 volt, 60 Hz AC approved electrical service fused through a 30-ampere fuse or circuit breaker on both sides of the line is required.
- All Canadian models are shipped with the power cord attached. The power cord should be plugged into a 30-ampere receptacle.

NOTE

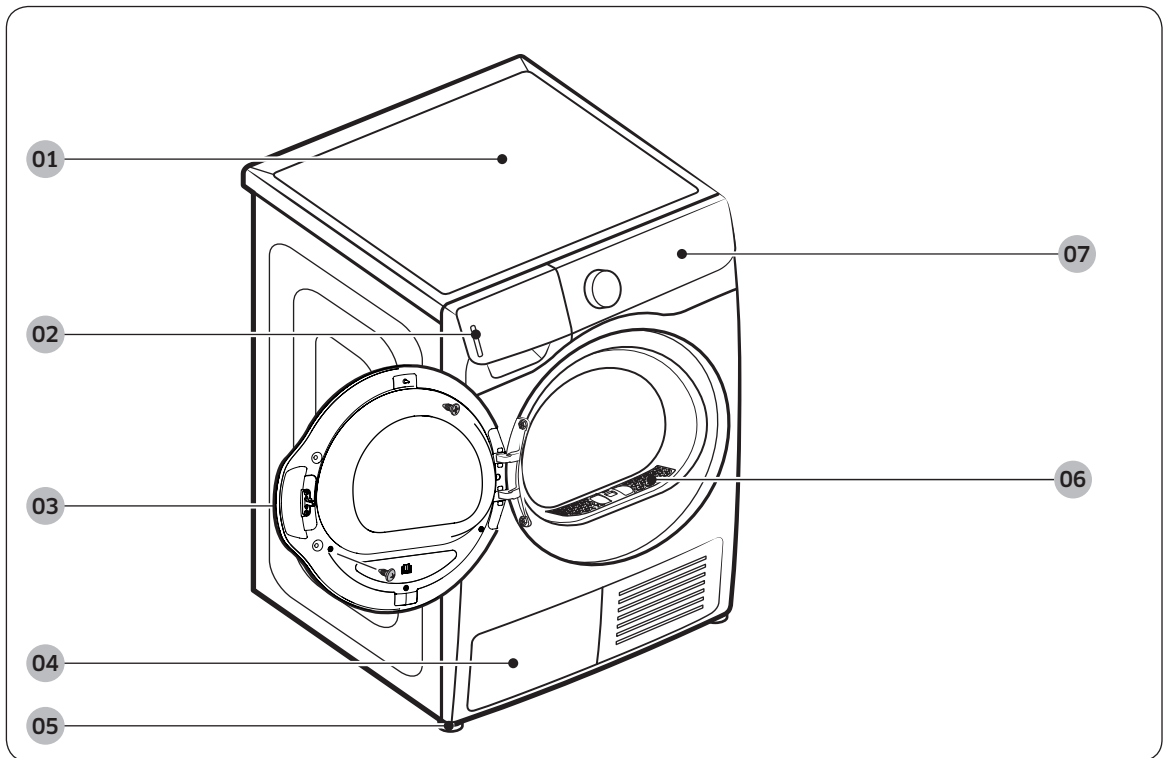
In Canada, you may not convert a dryer to 208 volts.

Installation

What's included

Carefully unpack the dryer. Keep all packaging materials away from children. The parts and location of parts shown below may differ from your dryer. Before installation, make sure the dryer has all the parts listed here. If the dryer and/or parts are damaged or missing, contact the nearest Samsung customer service center.

Dryer at a glance



01 Top cover

02 Water Tank

03 Door

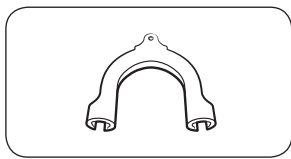
04 Heat exchanger

05 Levelling Leg

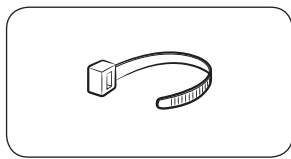
06 Lint filter

07 Control Panel

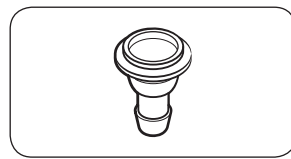
Accessories (supplied)



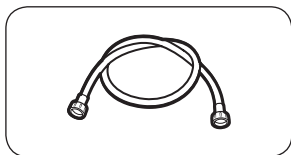
Hose guide



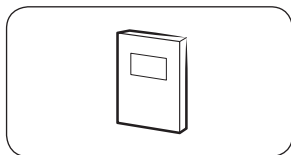
Cable tie



Hose connector

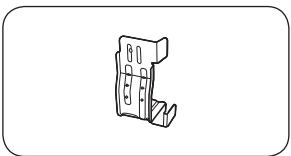


Long drain hose (6.5 ft/2 m)



User manual

Accessories (Canada Model Only)



Bracket-Stacking kit
(SK-DH)

NOTE

- The stacking kit allows the dryer to be stacked on top of a washer. Please note that the stacking kit can only be used with Samsung washers and dryers. To purchase a bracket stacking kit, contact a Samsung service center or local appliance retailer. The stacking kit differs with the washer model.
- For stacking instructions for the dryer, see the installation manual included in the stacking kit.
- For information about model-specific availability of the stacking kit, see the installation manual included in the stacking kit.

Installation

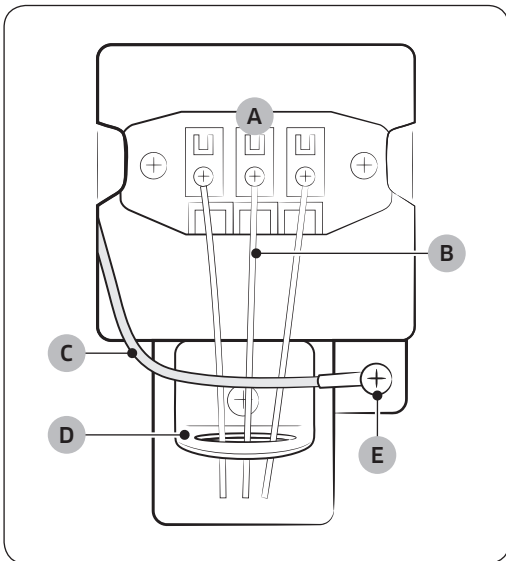
Step-by-step installation

Make sure you have a qualified technician install the dryer. Step by step installation instructions start below.

STEP 1 Connect the electrical wiring

First, read through the “**Electrical requirements**” section, and then follow the instructions on this page or the next page. Instructions for a 3-wire system are on this page. Instructions for a 4-wire system are on the next page.

For a 3-wire system



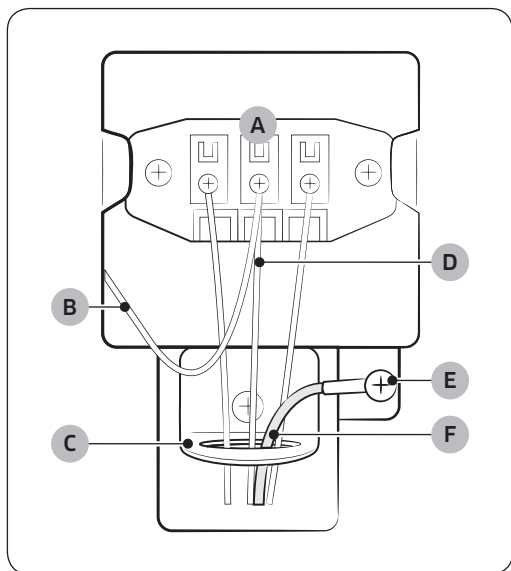
- A. Center silver-colored terminal block screw
- B. Neutral wire (white or center wire)
- C. Neutral grounding wire (white or green/yellow)
- D. $\frac{3}{4}$ " (1.9 cm) UL-listed strain relief
- E. External ground connector

1. Loosen or remove the screws from the center terminal block.
2. Connect the neutral wire (white or center wire) of the power cable to the center, silver-colored terminal screw of the terminal block. Tighten the screws.
3. Connect the other wires to outer terminal block screws. Tighten the screws.
4. Tighten the strain relief screws.
5. Insert the terminal block cover into the rear panel of the dryer. Then, secure the cover with a hold-down screw.

CAUTION

- To convert from the 4-wire system to 3-wire system, connect the ground strap to the terminal block support to ground the dryer frame to the neutral conductor.
- Ring-type terminals are recommended. If using strap terminals, make sure they are tightened.

For a 4-wire system



- A.** Center silver-colored terminal block screw
- B.** Neutral grounding wire (white or green/yellow)
- C.** ¾" (1.9 cm) UL-listed strain relief
- D.** Neutral wire (white or center wire)
- E.** External ground connector
- F.** Green or bare copper wire of power cord

- 1.** Remove the external ground connector's screw, and connect the ground wire (green or unwrapped) of the power cable to the screw.

⚠ CAUTION

- To connect the ground wire to the neutral position without through contact A (cabinet ground), contact a technician. This is not user serviceable.
 - Ring-type terminals are recommended. If using strap terminals, make sure they are tightened.
- 2.** Loosen or remove the screws from the center terminal block.
 - 3.** Connect the neutral wire (white or center wire) and ground wire (white) to the center, silver-colored terminal screw of the terminal block. Tighten the screw.
 - 4.** Connect the other wires to the outer terminal block screws. Tighten the screws.
 - 5.** Tighten the strain relief screws.
 - 6.** Insert the tab of the terminal block cover into the rear panel of the dryer. Then, secure the cover with a hold-down screw.

⚠ WARNING

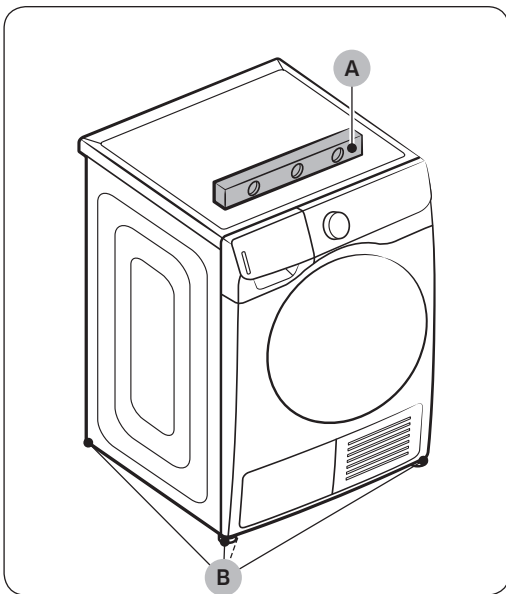
- All U.S. models are designed for a 3-wire system connection. The dryer frame is grounded to the neutral conductor at the terminal block. A 4-wire system connection is required for new or remodeled construction, mobile homes, or if local codes do not permit grounding through neutral. If you use the 4-wire system, you cannot ground the dryer frame to the neutral conductor at the terminal block.
- Remove the terminal block cover plate.

Installation

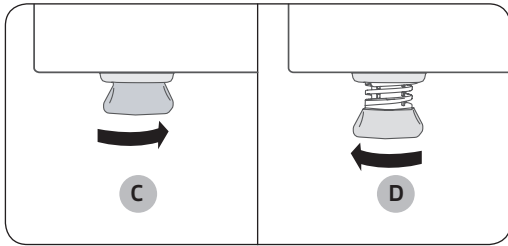
- Insert the power cord with a UL-listed strain relief through the hole provided in the cabinet near the terminal block.
- A strain relief must be used.
- Do not loosen the nuts already installed on the terminal block. Be sure they are tight.
- Use a 3/8" (1 cm) deep well socket.

STEP 2 Level the dryer

Before you install the dryer, make sure you have read the Installation requirements on page 9. Please note that the following instructions are for installation without using a drain hose. For instructions on using a drain hose, see the next section, Drain hose (if necessary) on page 20. For convenience, consider installing the dryer next to your washer.



1. Carefully move the dryer to the desired location.
2. Use a **level (A)** and check the levelness of the dryer from side to side and front to back.
3. If the dryer is not level, adjust the **levelling legs (B)**. Turning a leg counter-clockwise retracts the leg. Turning a leg clockwise extends the leg.
4. Once the dryer is level, make sure the dryer stands firmly on the floor.
5. Plug in the dryer.

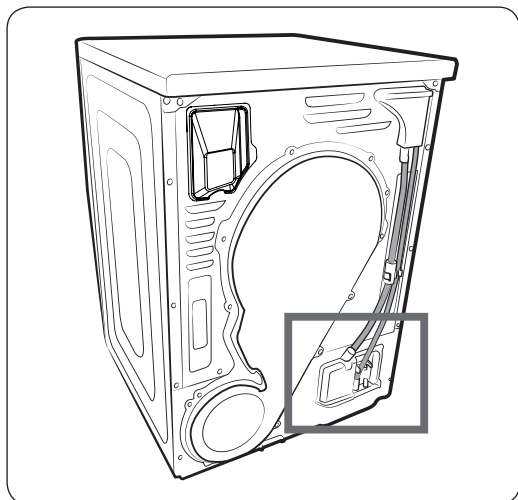


NOTE

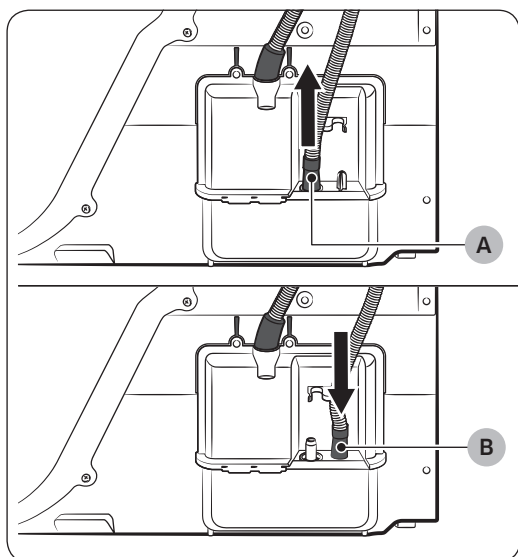
- The dryer can be levelled using either or both of the front and rear legs of the dryer.
- To set the dryer to the same height as the washer, **fully retract (C)** the levelling legs by turning them counter clockwise, then **loosen (D)** the legs by turning them clockwise.
- Extend the levelling leg only as much as necessary. Extending the levelling leg more than necessary can cause the dryer to vibrate.

Installation

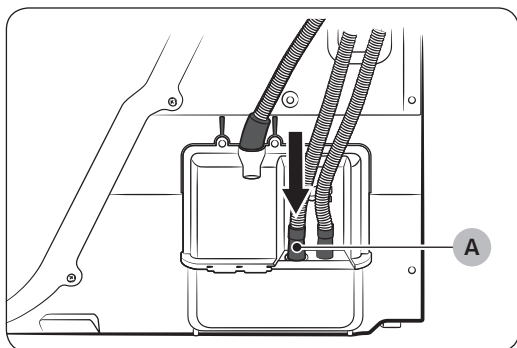
Drain hose (if necessary)



Important: This dryer comes with a built in water tank that stores water captured by the dryer from drying clothes. The water tank must be emptied manually before or after each load. See page 45. However, you can install the provided long drain hose as described below and have the water empty directly into a nearby sink or drain pipe automatically.

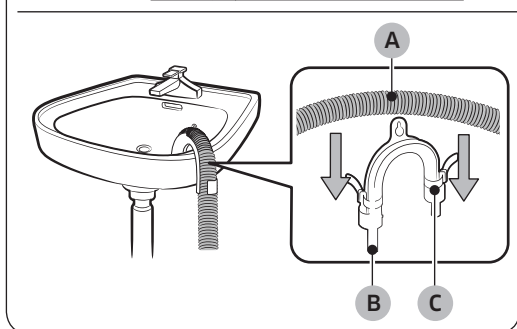
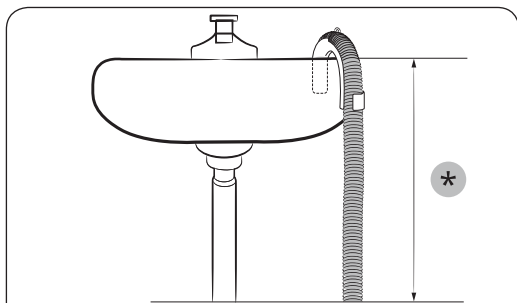


1. Remove the drain hose from **hole (A)**, and insert it into **hole (B)**.



2. Insert one end of the accessory hose (the long drain hose) into **hole (A)**.
3. Position the other end (the outlet) over a laundry sink or connect it to the drain pipe of a laundry sink. See the instructions below or on the next page.

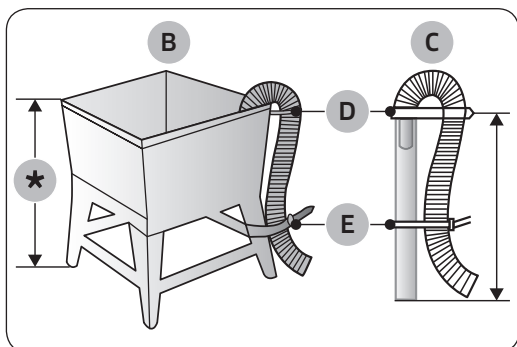
Over a laundry sink:



1. Make sure to place the end of the accessory hose no more than **3 ft. (90 cm)** above the bottom of dryer.
2. To bend the accessory hose so that it hooks over the edge of the sink, use the supplied plastic **hose guide (B)** and secure the guide to the wall with a hook or to the tap with a piece of string. Assemble the **drain hose (A)** and the **hose guide (B)** and fix them with the **cable-tie (C)**.

⚠ CAUTION

Do not extend the drain hose by connecting another hose to it. Water can leak from the connected area. If you need more length, use a longer drain hose.



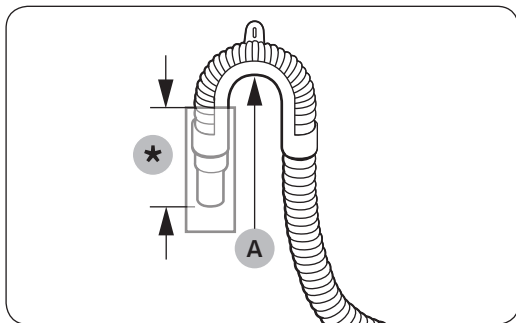
In a standpipe or laundry tub

The **laundry tub (B)** or **standpipe (C)** must be no higher than **35.4 In (90 cm)**. Make sure the drain hose and the standpipe are not airtight.

📄 NOTE

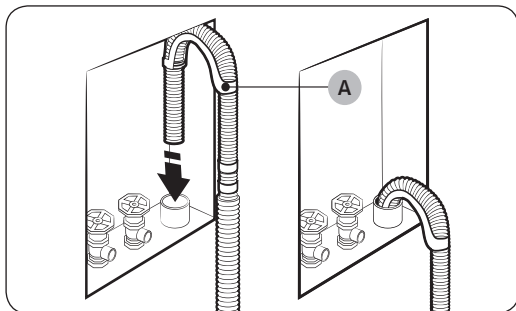
D: Hose retainer / E: Tie straps

Installation



⚠ CAUTION

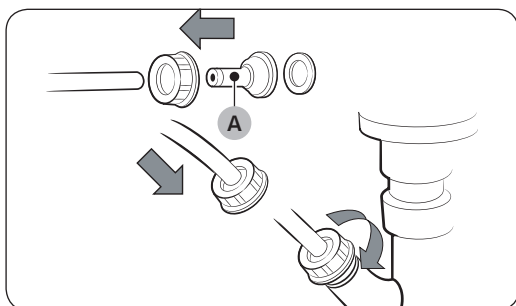
- Connect the hose **guide (A)** within 6 in. (15 cm)* of the end of the drain hose. If the drain hose is extended beyond the end of the hose guide, mold or microorganisms could spread inside the dryer.
- The drain hose can be installed up to 35.4 in. (90 cm) high, but the draining capability can be reduced at the maximum height. Too much water remaining in Dryer may cause malfunction.



Wall standpipe drain system

The drain hose can be placed into a wall standpipe drain system. To keep the end of the drain hose bent, use the supplied hose **guide (A)**. Secure the guide to the wall using a hook to ensure stable drainage.

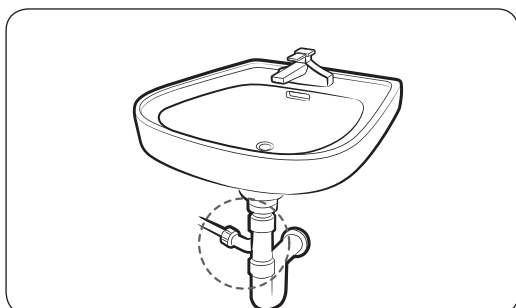
By using the drain pipe of the laundry sink:



1. Assemble the **hose connector (A)**, and attach it to the end of the accessory hose as shown.

⚠ CAUTION

To prevent water leaks, make sure to connect the hose and the connector firmly.



2. Connect the hose adaptor directly to the drain pipe of the laundry sink.

Installation checklist

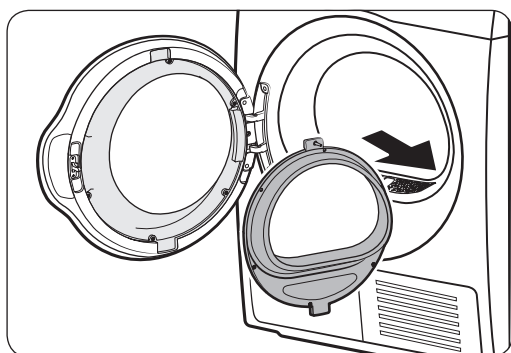
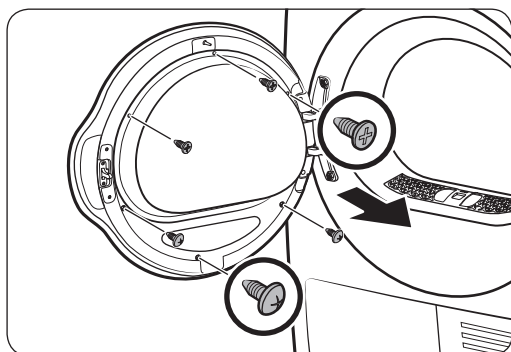
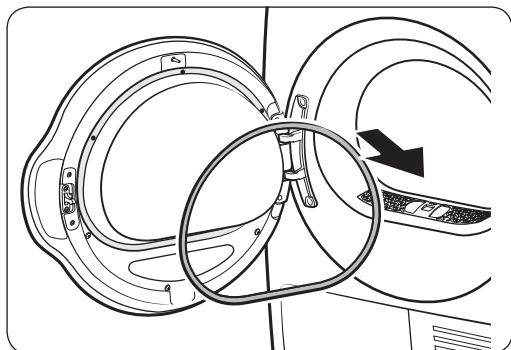
- The dryer is plugged into a properly grounded outlet.
- All packaging material is completely removed and properly disposed.
- The dryer is level and standing firmly on the floor.
- The long drain hose is installed if you want water captured by the drying process drained automatically.
- Start the dryer to make sure that it runs, heats, and shuts off.
- Run a **TIME DRY** cycle for 20 minutes to see if the **HC** information code is displayed. If this is the case, contact a local service center.
- After installation, we recommend that you wait at least 1 hour before using the dryer.

Before using the dryer

- Make sure no accessory remains inside the drum.
- Plug in the power cord just before operating the dryer.
- Do not block the air inlet hole of the cooling grill at the front of the dryer.
- Do not place flammable objects near the dryer and keep the surrounding area clean.
- Keep the dryer level with the ground.
- Do not remove the adjustable levelling legs of the dryer. They are necessary to keep the dryer level.

Installation

Switching the door position



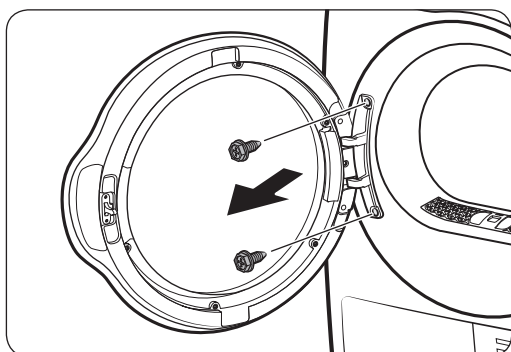
To reverse the direction of the door, we recommend that you contact a qualified technician and have the technician follow the directions below.

1. Remove the door packing from the door.
2. Remove the screws on the inner glass holder of the door.
 - Loosen and remove the 3 screws on the top and 3 screws on the bottom.
3. Detach the glass holder.

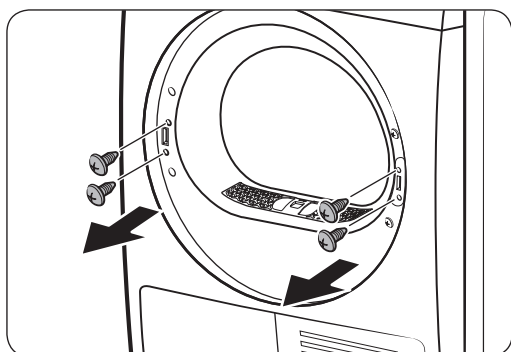


CAUTION

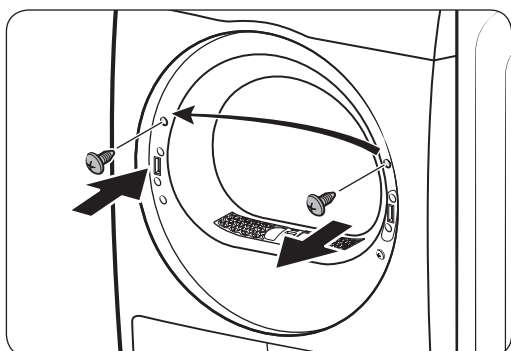
Be careful not to drop any part of the holder when detaching it. Property damage (cracks or breaks) or physical injury may occur.



4. Remove the hinge screws, and then detach the door.
 - Loosen and remove the 2 bolts on the door frame.
 - To prevent abrasion on the bolts, use a hex screwdriver.

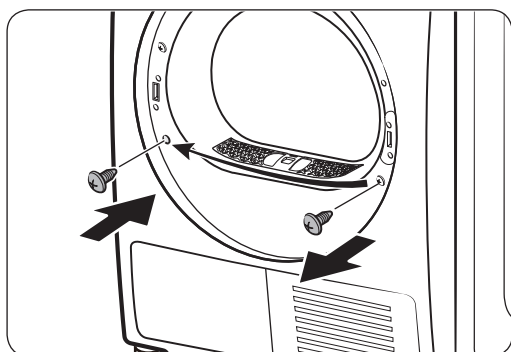


5. Remove the 2 holder screws on the left frame, and then remove the 2 bracket screws on the right frame.

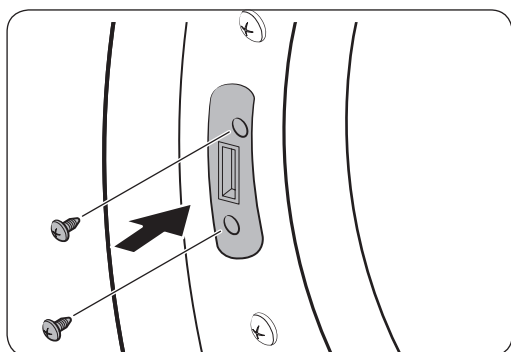


6. Remove the upper screw on the right of the door frame, and then insert it in the corresponding left hole of the door frame. Do not remove the lower bracket screws.

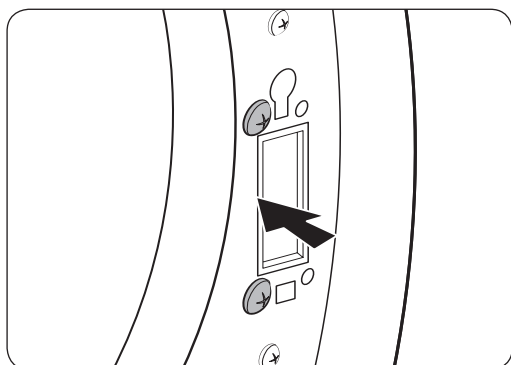
Installation



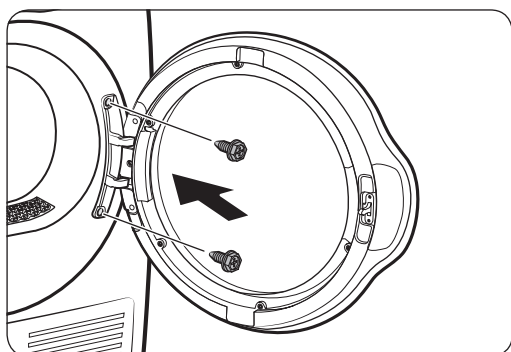
7. Remove the bottom screw on the right frame, and then insert it in the corresponding hole on the left frame.



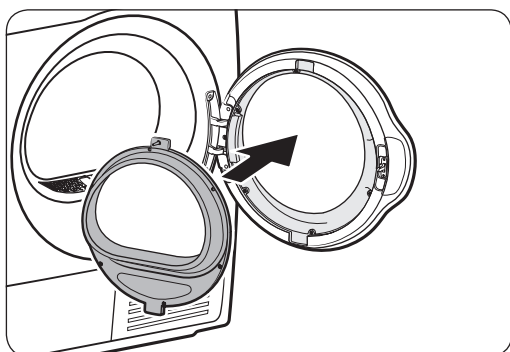
8. Insert the 2 removed bracket screws in the left frame as shown.
- See the figure on the left for the correct position of the screws.



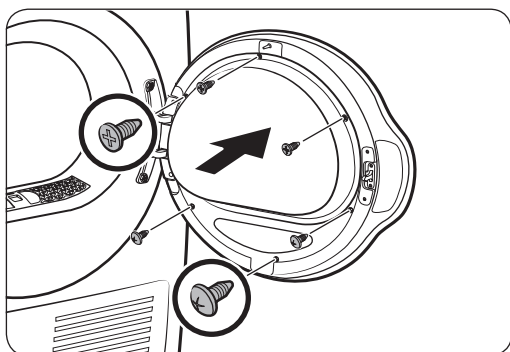
9. Insert the 2 removed holder screws in the right frame as shown.
- See the figure on the right for the correct position of the screws.



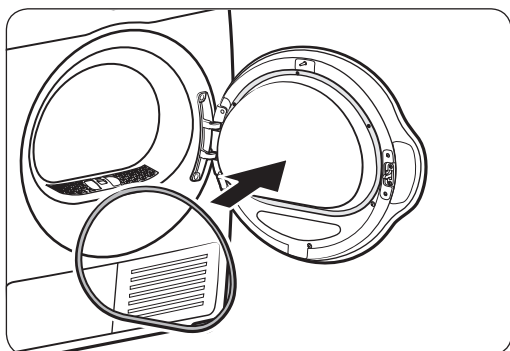
10. Insert the door hinge in the opposite position of the door frame, and then, tighten the 2 bolt screws.



- 11.** Insert the inner glass holder in the door cover that has been installed on the right frame.



- 12.** Tighten the 3 screws on the top and 3 screws on the bottom.



- 13.** Attach the door packing to the door.

Before you start

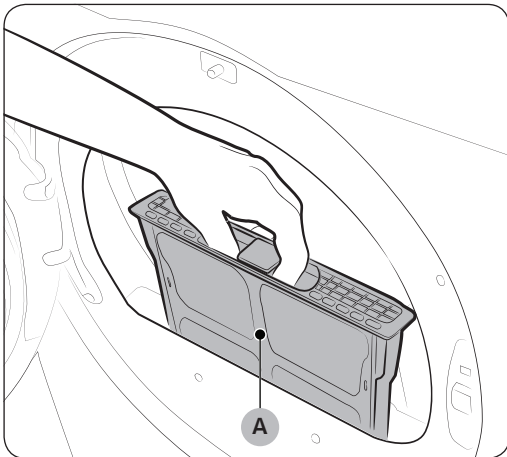
Here are a few things you should know before starting your dryer.

Sort and load

- Put one wash load in the dryer at a time.
- Do not mix heavy and lightweight items together.
- To improve drying efficiency for one or two items, add a dry towel to the load.
- For best results, untangle items before inserting them into the dryer.
- Overloading reduces the tumbling action, resulting in uneven drying and wrinkling and longer drying time.
- Unless recommended on the care label, do not dry woolens or fiberglass items.
- Avoid drying unwashed items.
- Do not dry items soiled with oil, alcohol, gasoline, etc.

Functional prerequisite

Lint filter



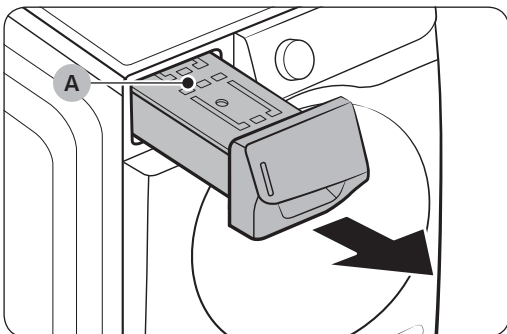
To prevent a risk of fire, make sure to clean the lint filter before or after every load.

1. Turn off the dryer.
2. Open the door, and pull out the **lint filter (A)** from inside the tumbler.
3. Remove the lint that has accumulated, and then clean the lint filter.
4. Reinsert the lint filter, and then close the door.

CAUTION

- Do not operate the dryer without the lint filter in place.
- Do not use a damaged or broken lint filter. This may reduce performance and/or cause a fire.

Water Tank



If you have not installed the long drain hose, empty the water tank before or after every load to avoid leaks.

1. Using both hands, pull the water tank forward to remove.
2. Empty the water through the drain hole on top, and then place the water tank back into place.

NOTE

- If you empty the water tank and then press and hold Start/Pause (Hold to Start), the corresponding indicator turns off.

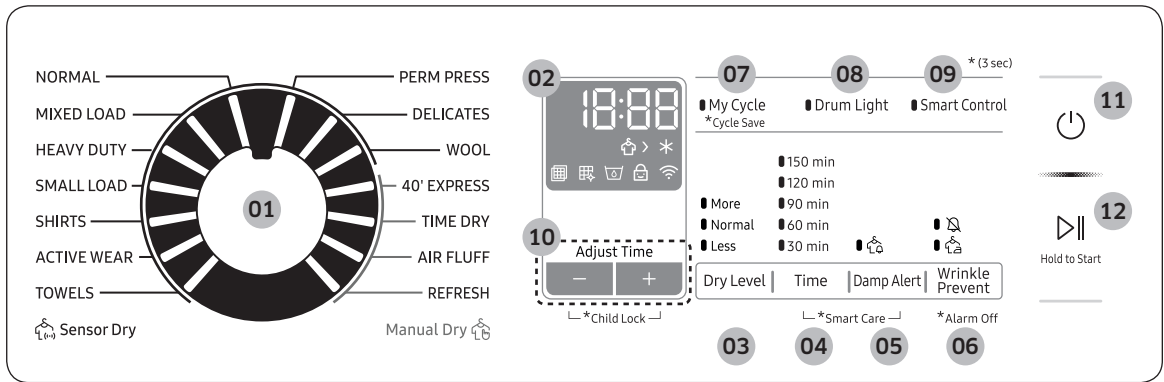
Operations

⚠ WARNING

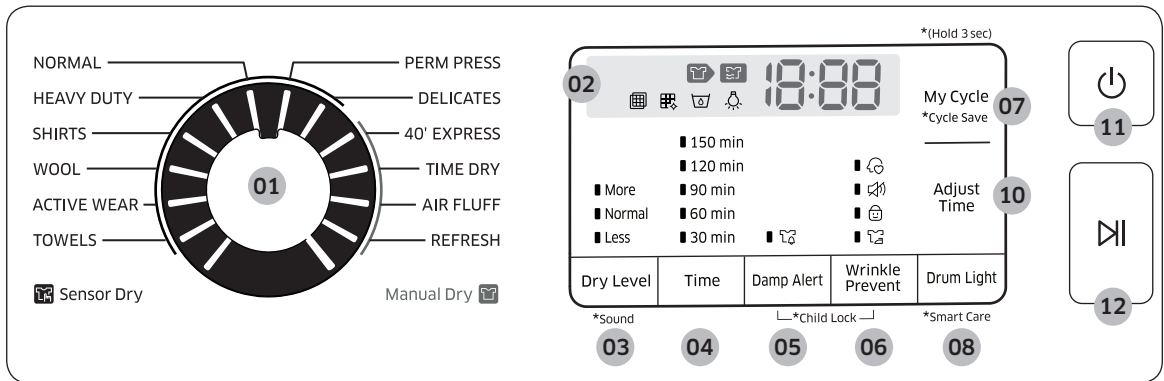
To reduce the risk of fire, electric shock, or injury, read the “Safety information” section before operating this appliance.

Control panel

DV22N685*H*





DV22N680*H*



01 Cycle selector	Turn the cycle selector to select a desired cycle. When a cycle is selected, the cycle indicator lights up.
02 Digital graphic display	Displays all cycle information, including the cycle time, information code, operating status, and indicators.

Operations










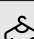
<p>03 Dry Level</p>	<p>Press to adjust the dryness in the Sensor Dry cycles. The corresponding indicator turns on.</p> <ul style="list-style-type: none"> • Larger or bulkier loads may require More for complete dryness. • Less is best suited for lightweight fabrics or for leaving some moisture in the clothing at the end of the cycle. <p> NOTE</p> <p>This option is not available with WOOL and ACTIVE WEAR.</p>
<p>04 Time</p>	<p>Press to adjust the cycle time for 40' EXPRESS, TIME DRY, AIR FLUFF, and REFRESH cycles.</p> <ul style="list-style-type: none"> • The following time options in minutes are available: 30, 60, 90, 120, and 150. • The exact drying time differs depending on the humidity of the load.
<p>05 Damp Alert</p>	<p>This alert is available for all Sensor Dry cycles except for ACTIVE WEAR and WOOL. Available dry levels are Normal, More, and Less.</p> <p>If a load contains mixed fabrics, the Damp Alert indicator blinks when average dryness of the items is 80 % dry. This lets you take items that you don't want fully dried or that dry quickly out of the dryer early while letting others continue to dry.</p>
<p>06 Wrinkle Prevent</p>	<p>Wrinkle Prevent provides approximately 180 minutes of intermittent tumbling in unheated air at the end of the cycle to reduce wrinkling. Press Wrinkle Prevent to activate this feature. The load is dry and can be removed at any time during the Wrinkle Prevent process.</p> <ul style="list-style-type: none"> • Press and hold Wrinkle Prevent for 3 seconds to turn off the alarm. When the alarm is off, the Alarm Off indicator () turns on.
<p>07 My Cycle</p>	<p>Choose your favorite cycle including the cycle time, temperature, and dry level. See "My Cycle" on page 36 for details.</p>
<p>08 Drum Light</p>	<p>Press to turn on or turn off the interior lamp. The lamp stays lit for 2 minutes after it has turned on, and then turns off automatically.</p>

09 Smart Control (DV22N685*H*)	After connecting the dryer to your home network using the SmartThings app, you can control the dryer remotely. The Smart Control indicator blinks. The dryer enters waiting mode for remote commands. For more information, see the SmartThings section on page 38.
10 Adjust Time	You can change the set time in the Manual Dry cycles. To change the cycle time, press the Adjust Time buttons (- and +) until the desired time is displayed. ※ Only DV22N680*H* model have one button (Adjust Time).
11 Power	Press to turn on/turn off the dryer.
12 Start/Pause (Hold to Start)	Press and hold to start an operation, or press to stop an operation temporarily.









NOTE

Items that have become extremely tangled in the wash can degrade drying efficiency or cause the dryer's door to open. We recommend that you untangle items before putting them in the dryer.


Indicators (DV22N685*H*)

	Drying		Child Lock
	Cooling		Wi-Fi
	Check filter alarm		Alarm Off
	Heat-exchanger clean alarm		Wrinkle Prevent
	Water Tank Full		Damp Alert

Indicators (DV22N680*H*)

	Drying		My Cycle
	Cooling		Sound Off
	Check filter alarm		Child Lock
	Heat-exchanger clean alarm		Wrinkle Prevent

Operations

	Water Tank Full		Damp Alert
	Drum Light		

Simple steps to start

1. Press **Power** to turn on the dryer.
2. Turn the **Cycle Selector** to select a cycle.
3. Change the cycle settings (**Dry Level** and **Time**) as necessary.
4. Optionally, you can activate options available by pressing the relevant button. (**Adjust Time** - and +, **Wrinkle Prevent**, and/or **Damp Alert**)
5. Press and hold **Start/Pause (Hold to Start)**. The dryer indicator turns on and shows an estimated cycle time on the display.

To change the cycle during operation

1. Press **Start/Pause (Hold to Start)** to stop operation.
2. Select a different cycle.
3. Press and hold **Start/Pause (Hold to Start)** to start the new cycle.

Sorting and loading

- Overloading will extend drying time significantly. Load to about half full for best results.
- Put only one wash load in the dryer at a time.
- Avoid mixing heavy and lightweight items together.
- To increase drying efficiency when drying one or two items, add a dry towel to the load.
- For best results, untangle items before inserting them into the dryer.
- Overloading restricts the tumbling process, resulting in uneven drying and wrinkling.
- Unless recommended on the care label, avoid drying woolens or fiberglass items.
- Avoid drying unwashed items.
- Do not dry items soiled with oil, alcohol, gasoline, etc.

Cycle overview

Sensor Dry

Sensor Dry cycles sense moisture in the load and stop the dryer when the load reaches the dryness level you have selected with **Dry Level**.

Cycle	Description
NORMAL	For most fabrics including cottons and linens.
MIXED LOAD (DV22N685*H*)	For mixed loads consisting of cotton and synthetic fabrics.
HEAVY DUTY	For drying items made out of heavy fabrics, such as jeans, corduroys, or work clothes, with high temperature heat.
SMALL LOAD (DV22N685*H*)	Use to quickly dry a small load.
SHIRTS	Use to quickly dry one item such as a shirt.
ACTIVE WEAR	For exercise wear and outdoor wear such as sports jerseys, training pants, water-repellent jackets, and other performance clothing. Thick fabrics like a zipper or Velcro closure of a jacket, or training socks may not be completely dried.
TOWELS	For bath towels and similar items
PERM PRESS	Dry wrinkle-free cottons, synthetic fabrics, knits, and permanent press fabrics automatically.
DELICATES	For heat-sensitive items at a low drying temperature.
WOOL	For machine washable and tumble dryable wool only.

Operations

Manual Dry


You can change the drying settings manually to your preference.

Cycle	Description
40' EXPRESS	For drying light cotton synthetics or items that need quick drying. The default dry time is 40 minutes.
TIME DRY	You can specify a cycle time in minutes.
AIR FLUFF	Tumbles the load in room temperature air.
REFRESH	Uses warm air to deodorize and refresh items.

Cycle guide

The best way to dry items is to follow the instructions on the care label. If no drying instructions are provided, see the following table for reference.

Cycle	Description
Bedspreads & Comforters	Follow the care label instructions or dry using NORMAL . <ul style="list-style-type: none">• Make sure the item is thoroughly dry before using or storing.• May require repositioning in the drum to ensure even drying.
Blankets	Use NORMAL and dry only one blanket at a time for best tumbling action. <ul style="list-style-type: none">• Make sure blankets are thoroughly dry before using or storing.
Curtains & Draperies	Use PERM PRESS to help minimize wrinkling. <ul style="list-style-type: none">• Dry curtains and draperies in small loads for best results and remove as soon as possible after the cycle is complete.
Cloth Diapers	Use NORMAL for soft, fluffy diapers.
Down-filled Items (jackets, sleeping bags, comforters, etc.)	Follow the care label instructions or dry using NORMAL . <ul style="list-style-type: none">• Add a couple of dry towels to absorb moisture and shorten drying time.

Cycle	Description
Foam Rubber (rug backs, stuffed toys, shoulder pads, etc.)	Do not dry on a heat setting. Use AIR FLUFF .  WARNING Drying a rubber item with heat may damage it or cause a fire.
Pillows	Use NORMAL . <ul style="list-style-type: none"> • Add a couple of dry towels and a pair of clean sneakers to help the tumbling action and to fluff the pillows. • Do not dry kapok or foam pillows using a heated drying cycle. You can dry these items in the dryer only if you use AIR FLUFF .
Plastics (shower curtains, outdoor furniture covers, etc.)	Use AIR FLUFF or TIME DRY and the Low or Extra Low temperature settings depending on the care label instructions.

 **WARNING**

Do not dry:

- Fiberglass items (curtains, draperies, etc.)
- Woolens, unless recommended on the label
- Items spotted or soaked with vegetable or cooking oils

Operations

Special features

Child Lock

Child Lock prevents children from playing with the dryer. When Child Lock is activated, all buttons except for the **Power** button are disabled.

To activate/deactivate Child Lock, simultaneously press and hold the **Adjust Time** buttons (- and +) for 3 seconds.

※ DV22N680*H* Model : Press and hold **Damp Alert** and **Wrinkle Prevent** buttons.

NOTE

Once Child Lock is activated, it will remain active even after you restart the dryer. If other buttons, except for the **Power** button, do not respond, check the Child Lock indicator. If the indicator is on, follow the instructions above to turn Child Lock off.

My Cycle

You can create your own cycle that contains your preferred settings and use it at your convenience.

1. Turn the **Cycle Selector** to select a cycle. The cycle indicator turns on.
2. Set or change the settings (**Dry Level, Time**, etc.) and/or options as necessary. Each corresponding indicator blinks.
3. Press and hold **My Cycle** for 3 seconds. The dryer stores the selected cycle with its settings.

To use My Cycle, press **My Cycle**.

NOTE

WRINKLE PREVENT is not available with My Cycle.

Smart Care

If your dryer displays an information code, you can use Smart Care and the Smart Care app to explain the meaning of the code. To use Smart Care, you must have the Samsung Smart Care app installed on your smartphone.

NOTE

Smart Care is optimized for Samsung Galaxy and Apple iPhones. (Not compatible with some models).

Download the Samsung Smart Washer app from the Google Play Store or Apple App store (Search term: “**Samsung Smart Washer/Dryer**”), and install it on your smartphone.

If an information code appears on your dryer, follow these steps:

1. Simultaneously press and hold **Time** and **Damp Alert** for 3 seconds to activate Smart Care.
※ DV22N680*H* Model : Press and Hold **Drum Light** button.
2. Open the Smart Care app on your smartphone.
3. Put the smartphone's camera close to the display of the dryer. The app automatically recognizes the information code, and then displays suggestions on your smartphone.
4. If the smartphone fails to recognize the information code more than twice, type the information code manually into the Smart Care app.

CAUTION

- If light is reflected on the display of the dryer, the smartphone may not recognize the information code.
- If you hold the smartphone at an angle to the dryer's display, the smartphone may not recognize the information code. For best results, hold the smartphone so that the front of the panel and the smartphone are parallel or nearly parallel.
- After you use this function, the dryer will delete the record of the information code from its code log.

Operations

SmartThings

※ “Smart Things” is available for the DV22N685*H* model only.

Wi-Fi connection

On your smartphone, go to the **Settings**, turn on the wireless connection, and then select an AP (Access Point).

NOTE

- This device is designed for household use only (Class B), and can be used in all residential areas.
- This device may cause wireless interference which cannot be prevented.
- Recommended encryption methods are WPA/TKIP and WPA2/AES. Newly developed Wi-Fi protocols or unapproved Wi-Fi protocols are not supported.
- The reception sensitivity of a wireless network may be affected by surrounding wireless environments.
- If your Internet provider has registered the MAC address of your PC or modem for permanent use, your Samsung dryer may not connect to the Internet. If this is the case, contact your Internet provider.
- The Internet firewall may interrupt your Internet connection. If this happens, contact your Internet provider.
- If your dryer continually fails to connect to the Internet after you have followed the instructions from your Internet provider, contact a local Samsung retailer or Samsung service center.
- To install a wired or wireless router, follow the directions in the router’s users manual.
- This Samsung dryer supports Wi-Fi 2.4 GHz protocols.
- This Samsung dryer supports IEEE802.11 b/g/n (2.4 GHz) Soft-AP protocols. (IEEE802.11n is recommended)
- An unapproved wired/wireless router may fail to connect to your Samsung dryer.

Download

On an app market (Google Play Store, Apple App Store, Samsung Galaxy Apps), find the SmartThings app using the search term “SmartThings”. Download and install the app on your device.

NOTE

- The SmartThings app is available on third-party devices with Android OS 6.0 (Marshmallow) or higher, Samsung devices with Android OS 5.0 (Lollipop) or higher, and iOS devices with iOS 10.0 or higher on iPhones designated iPhone 6 or higher. The app is optimized for Samsung smartphones (Galaxy S and Note series).
- Some functions of the app may operate differently on third-party devices.
- The app is subject to change without notice for improved performance.

Log in

You must first log into SmartThings with your Samsung account. To create a new Samsung account, follow the instructions in the app. You don't need a separate app to create your account.

NOTE

If you have a Samsung account, use the account to log in. A registered Samsung smartphone user automatically logs in.

To register your device to SmartThings

1. Make sure your smartphone is connected to a wireless network. If not, go to **Settings**, turn on the wireless connection, and then select an AP (Access Point).
2. Launch **SmartThings** on your smartphone.
3. When the message "A new device is found." appears, select **Add**.
4. If no message appears, select +, and then select your dryer in the list of devices available. If your dryer is not listed, select **Device Type > Specific Device Model**, and then add your dryer manually.
5. When registration is complete, your dryer appears on your smartphone.

Dryer app

Integrated control: You can monitor and control your dryer both at home and on the go.

- Select the dryer icon on SmartThings. The dryer page appears.
- Check the operation status or notifications related to your dryer, and change options or settings if necessary.

Operations

SmartThings

Category	Checkpoint	Description
Monitoring	Drying status	You can check the current cycle and its options, and the remaining cycle time.
	Smart Control	The Smart Control status is shown for the dryer.
	Self Check	Use this to check if the dryer operates normally.
	Energy monitoring	Use this to monitor the energy consumption status.
Control	Start/Pause/Cancel	Select a cycle and necessary options, and then select Start/Pause/Cancel to start an operation, to stop temporarily, or to cancel the current operation.
	My Favorite	Add frequently used cycles and options to My Favorite for later use.
Notification	Cycle completed	Notifies you that the current cycle is complete.
	Remaining laundry (applicable models only)	Notifies you of any laundry left after a cycle is complete.

Category	Checkpoint	Description
Q-Rator	Laundry Recipe *	You can select the fabric type, dry level, and wrinkle prevent to get recommended options and dry cycles that you can start right away.
	Laundry Planner *	You can set the desired time for a dry cycle to finish. After you set the desired time, you will get a recommended cycle that will end within the time you set, and you can start or reserve the recommended cycle.
	HomeCare Wizard *	Provides a regular report with an analysis of the machine operation state for a user-set time period (every week/month). You can use this regular report to check your usage pattern, maintenance requirements, and energy consumption ** for the set period of time.
	* Requires 'SmartThings', available on Android and iOS. Registration required. ** Indicated results only.	

Operations

Open Source Announcement

The software included in this product contains open source software. You may obtain the complete corresponding source code for a period of three years after the last shipment of this product by sending an email to <mailto:oss.request@samsung.com>.

It is also possible to obtain the complete corresponding source code in a physical medium such as a CD-ROM; a minimal charge will be required.

The following URL http://opensource.samsung.com/opensource/SMART_AT_051/seq/0 leads to the download page of the source code made available and open source license information as related to this product. This offer is valid to anyone in receipt of this information.



NOTE

Hereby, Samsung Electronics, declares that the radio equipment type appliance is in compliance with Directive 2014/53/EU. The full text of the EU declaration of conformity is available at the following internet address: The official Declaration of conformity may be found at <http://www.samsung.com>, go to Support > Search Product Support and enter the model name.

Wi-Fi max transmitter power : 20 dBm at 2.412 GHz - 2.472 GHz

Maintenance

WARNING

- Do not clean the dryer by directly spraying water onto the dryer.
- Do not clean the dryer with benzene, thinner, alcohol, or acetone. This may cause discoloration, deformation, damage, electric shock, or fire.
- Before cleaning the dryer, be sure to unplug the power cord.
- Certain internal parts are intentionally not grounded and may present a risk of electric shock only during servicing. Service Personnel - Do not contact the following parts while the appliance is energized: Control board, Motor, Drain pump.

Control panel

- Clean with a soft, damp cloth. Do not use abrasive substances.
- Do not spray liquid cleaning agents directly on the display of the dryer.
- Some laundry pre-treatment soil and stain removers may damage the control panel.
- When using liquid cleaning agents, apply them to the cleaning cloth. Do not apply them directly to the dryer. Wipe up any spills or overspray immediately.

Tumbler

- Remove any stains from the tumbler with an all-purpose cleaner.
- Tumble old towels or rags to remove any remaining stains or cleaning substances. Stains may still be visible, but will not affect subsequent loads.

Stainless steel tumbler

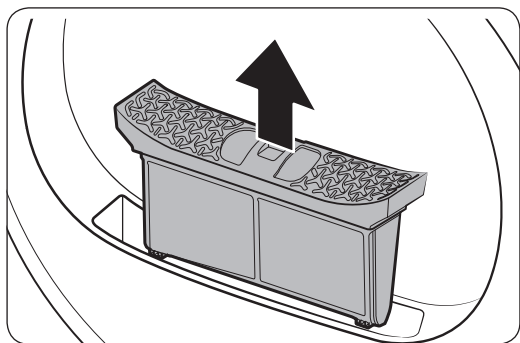
To clean the stainless steel tumbler, use a damp cloth with a mild, non-abrasive cleaner suitable for easily marred surfaces. Remove cleaner residue and dry with a clean cloth.

Dryer exterior

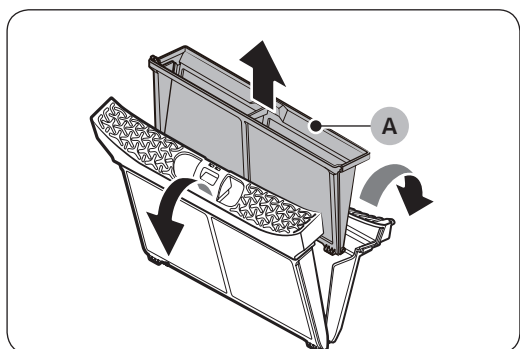
- Clean with a soft, damp cloth. Do not use abrasive substances.
- Protect the surface from sharp objects.
- Do not place any heavy or sharp objects or a detergent container on the dryer. They can scratch or damage the top cover of the dryer.
- The dryer has a high-gloss finish on the entire surface. Be careful not to scratch or damage the surface.

Lint filter

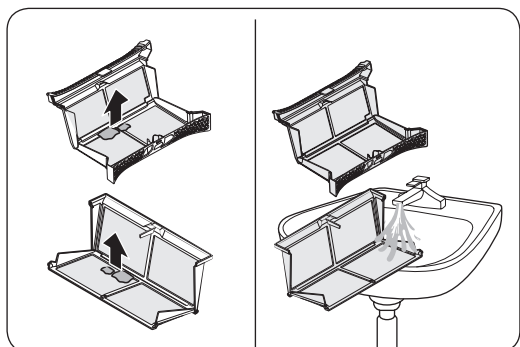
Clean the lint filter after each load.



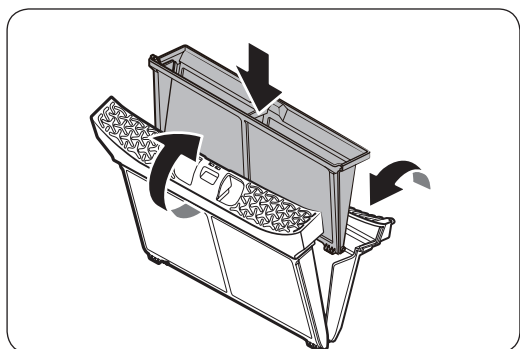
1. Open the door and pull the lint filter upward to remove.



2. Open the outer filter and remove the inner filter (A).



3. Unfold both the inner filter and the outer filter.
4. Remove the lint from both filters, and then clean them in running water. When finished, dry them thoroughly.



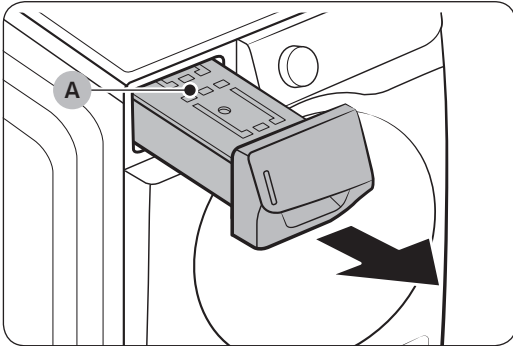
5. Put the inner filter into the outer filter, and then reinsert the lint filter into its original position.

⚠ CAUTION

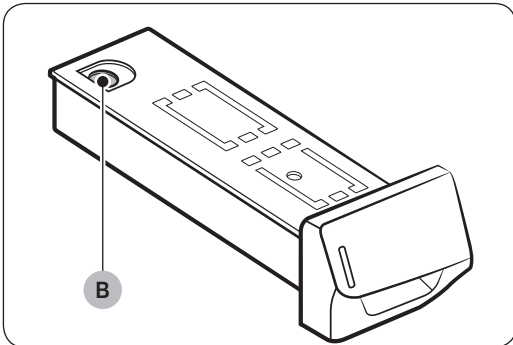
- Clean the lint filter after each load. Otherwise, the drying performance may decrease.
- Do not operate the dryer without the inner filter inside the outer filter.
- Using the dryer with a wet lint filter may cause mold, bad odors, or a decrease in drying performance.

Water tank

To avoid leaks, empty the water tank after every load.



1. Using both hands, pull the water tank (A) forward to remove.



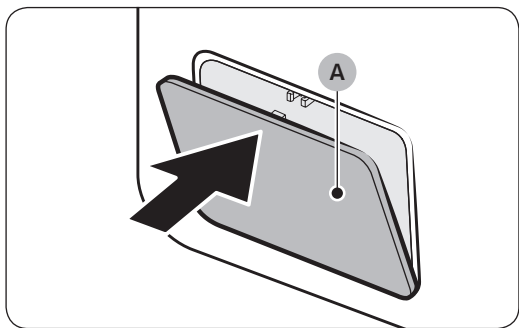
2. Empty the water through the drain hole (B), and then put the water tank back into place.

NOTE

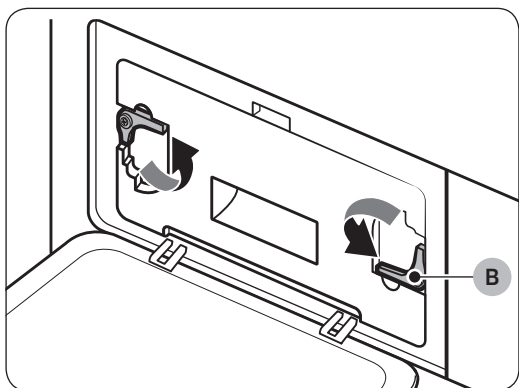
If you empty the water tank and then press and hold **Start/Pause (Hold to Start)**, the corresponding indicator turns off.

Heat exchanger

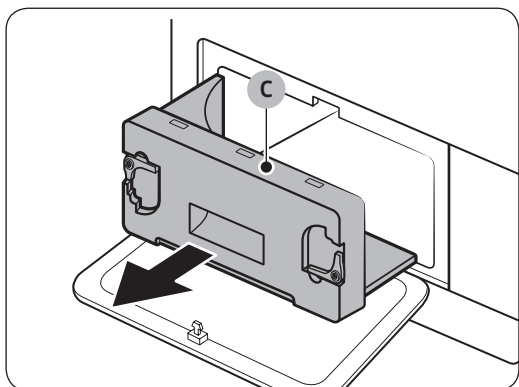
Clean the heat exchanger at least once a month. As a reminder, the heat exchanger indicator (⌘) lights up on the display when the heat exchanger needs to be cleaned.



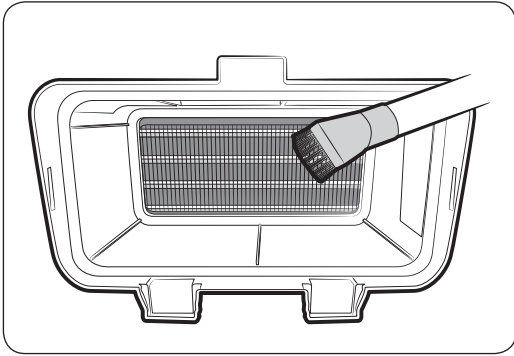
1. Gently press the top part of the **outer cover (A)** to open.



2. Unlock the fixers (B).



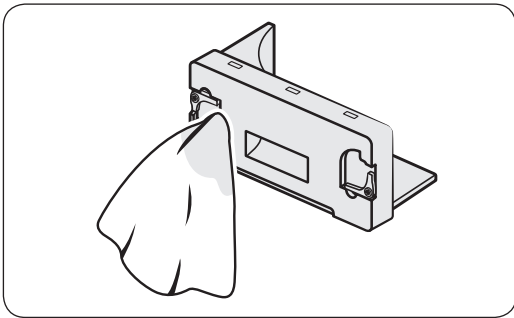
3. Remove the inner cover (C).



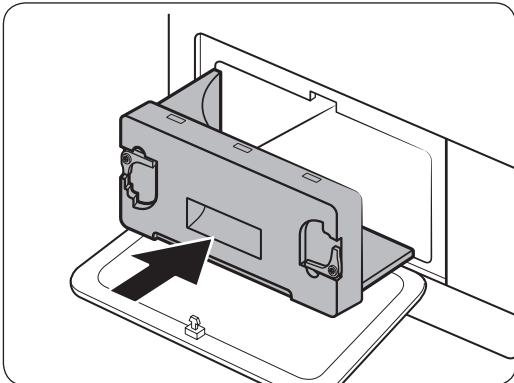
4. Clean the heat exchanger with a soft brush or vacuum cleaner.

⚠ WARNING

- To avoid physical injury and burns, do not touch or clean the heat exchanger with bare hands.
- Do not use water to clean the heat exchanger.
- Do not press on, push on, pull on, or exert force on the heat exchanger. You may damage the heat exchanger which can lead to a decrease in drying performance.



5. Clean the inner cover with a smooth, damp cloth.



6. Reinsert the inner cover in its original position, and then lock the fixers.

7. Close the outer cover.

📄 NOTE

After cleaning, make sure the fixers are locked.

Troubleshooting

Checkpoints

If the dryer operates abnormally, first check the list of problems in the table below and try the suggested actions.

Problem	Action
Does not run.	<ul style="list-style-type: none">• Make sure the door is latched shut.• Make sure the power cord is plugged into a live electrical outlet.• Check your home's circuit breakers or fuses.• Press and hold Start/Pause (Hold to Start) again if the door was opened during a cycle.• Clean the lint filter.
Does not heat.	<ul style="list-style-type: none">• Check your home's circuit breakers or fuses.• Some cycles do not require heating. Check the selected cycle again.• Check the lint filter and heat exchanger. Clean them if necessary.• The dryer may have moved into the cool-down phase of the cycle.
Does not dry.	<ul style="list-style-type: none">• Check all of the above, plus...• Dry heavy items and light weight items separately.• Large, bulky items, such as blankets or comforters, may require repositioning to ensure even drying.• Make sure that your washer is draining properly and extracting adequate water from the load.• The load may be too small to tumble properly. Add a few towels and restart the dryer.• The load may be too large to tumble properly. Remove some items so the dryer is half full, and then restart.• Clean the lint filter and heat exchanger.
Is noisy.	<ul style="list-style-type: none">• Check the load for objects such as coins, loose buttons, nails, etc. Remove promptly.• Make sure the dryer is leveled properly as outlined in the installation instructions.• It is normal for the dryer to hum due to the high velocity of air moving through the dryer drum, fan, or Water Drain system.

Problem	Action
Dries unevenly.	<ul style="list-style-type: none"> • Seams, pockets, and other similarly heavy areas may not be completely dry when the rest of the load has reached the selected dryness level. This is normal. You can choose a higher dryness level or a cycle that involves a higher dryness level. • If one heavy item is dried with a light weight load, such as one towel with sheets, it is possible that the heavy item will not be completely dry when the rest of the load has reached the selected dryness level. • For the best drying results, dry heavy items and light weight items separately.
Lint on clothes.	<ul style="list-style-type: none"> • Make sure the lint filter is cleaned before every load. For clothes that naturally build up lint, clean the filter during the cycle. • Some fabrics are lint producers (for example, a fuzzy white cotton towel) and they must be dried separately from clothes that are lint trappers (for example, a pair of black linen pants). • Divide larger loads into smaller loads for drying. • Check pockets thoroughly before drying, then dry clothes. • Remove lint inside the drum before drying.
Items still wrinkled after WRINKLE RELEASE cycle.	<ul style="list-style-type: none"> • Small loads of 1 to 4 items work best. • Load fewer items. Load similar-type items.
Extended time.	<ul style="list-style-type: none"> • Sensor Dry automatically senses the moisture in the load and shuts the dryer off when the selected dryness level is reached. • The drying time can change according to the type and amount of laundry. See the cycle chart for reference. • To prevent an overly long drying time, load no more than half full.

If a problem persists, contact a local Samsung service center.

Troubleshooting

Information codes

If the dryer fails to operate, you may see an information code on the display panel. To determine what you should do, check the list of codes in the table below, and then try the suggested actions.

Code		Action
tC	Air temperature sensor issue	Clean the lint filter and/or heat exchanger. If this continues, call for service.
tC5	Compressor temperature sensor issue	Wait 2-3 minutes. Turn the power on and restart.
dC	Running the dryer with door open	Close the door and restart. If this continues, call for service.
HC	Compressor overheat	Call for service.
5C	Water tank full Drain pump is out of order	Empty the water tank, turn the power on, and restart. If this continues, call for service.
AC6	Check communications between the main and the inverter PBAs.	<ul style="list-style-type: none">• Depending on the its state, the dryer may automatically return to normal operation.• Turn the dryer off and turn it on again. Then, restart the cycle.• If the information code continues to appear, call for service.
3C	Check the motor for operation.	<ul style="list-style-type: none">• Try restarting the cycle.• If the information code continues to appear, call for service.





If any information code keeps appearing on the screen, contact a Samsung service center.

Specifications

Fabric care chart

The following symbols provide garment care direction. The clothing care labels include symbols for drying, bleaching, ironing, and dry cleaning. The use of symbols ensures consistency among garment manufacturers of domestic and imported items. Follow care label directions to optimize garment life and reduce laundering problems.

Wash cycle

	Normal
	Permanent press/Wrinkle resistant/Wrinkle control
	Gentle/Delicates
	Hand wash




Water temperature

...	Hot
..	Warm
.	Cold



NOTE

The Water Temperature table lists appropriate wash water temperatures for various items. The temperature range is 106 - 126 °F (41 - 52 °C) for Hot, 84 - 106 °F (29 - 41 °C) for Warm, and 61 - 84 °F (16 - 29 °C) for Cold. (Wash water temperature must be a minimum of 61 °F (16 °C) for detergent activation and effective cleaning.)



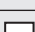
Bleach

	Any bleach (when needed)
	Only non-chlorine (color-safe) bleach (when needed)
	Tumble dry






Normal

	Permanent press/Wrinkle resistant/Wrinkle control
	Gentle/Delicates

Special instructions




	Line dry/Hang to dry
	Drip dry
	Dry flat

Heat setting







	High
	Medium
	Low
	Any heat
	No heat / Air

Specifications






Iron dry or steam temperatures

	High
	Medium
	Low

Warning symbols for laundering

	Do not wash
	Do not wring
	Do not bleach
	Do not tumble dry
	No steam (added to iron)
	Do not iron

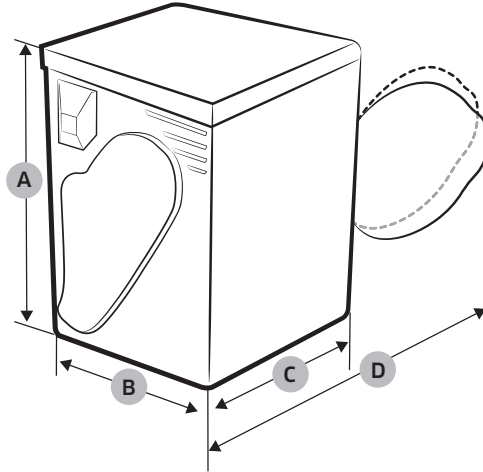
Dry-clean

	Dry-clean
	Do not dry-clean
	Line dry / Hang to dry
	Drip dry
	Dry flat

Protecting the environment

This appliance is manufactured from recyclable materials. If you decide to dispose of this appliance, please observe local waste disposal regulations. Cut off the power cord so that the appliance cannot be connected to a power source. Remove the door so that animals and small children cannot get trapped inside the appliance.

Specification sheet



Type		Front loading dryer
Dimensions	A. Height	33.5" (850 mm)
	B. Width	23.6" (600 mm)
	C. Depth	25.6" (650 mm)
	D. Depth with door open 90°	44.3" (1125 mm)
Net Weight		110 lb (50 kg)
Electrical Requirements	240 V / 60 Hz	800 W
Allowable Temperature		41 - 95 °F (5 -35 °C)

Specifications

Cycle chart

NOTE

For best results, follow the load size recommendations for each dry cycle.

- Large load: Fill the drum to about $\frac{3}{4}$ full. Do not add items over this level as they need to tumble freely.
- ◐ Medium load: Fill the drum to about $\frac{1}{2}$ full.
- Small load: Fill the drum with 3-5 items, not more than $\frac{1}{4}$ full.

Cycle		Recommended items	Load size	Dry Level
Sensor Dry	NORMAL	Cottons, Work clothes, Linen, Mixed loads	●	Normal Dry (Adjustable)
	MIXED LOAD (DV22N685*H*)	Mixed loads consisting of cotton and synthetics fabrics.	●	Normal Dry (Adjustable)
	HEAVY DUTY	Heavy fabrics such as jean, Corduroys, Heavy work clothes	●	Normal Dry (Adjustable)
	SMALL LOAD (DV22N685*H*)	Use to quickly dry small load (Maximum amount : 3lb)	◐	Normal Dry (Adjustable)
	SHIRTS	Non-iron shirts or blouses made of synthetic fibers or blended fabrics.	◐	Normal Dry (Adjustable)
	ACTIVE WEAR	Water-repellent wear, performance clothes, Sports wear	◐	Normal Dry (No change)
	TOWELS	Bath towels and similar items	●	Normal Dry (Adjustable)
	PERM PRESS	Shirts, Synthetic fabrics, Knits, Wrinkle-free cottons, Permanent	◐	Normal Dry (Adjustable)
	DELICATES	Underwear, Blouses, Lingerie	◐	Normal Dry (Adjustable)
	WOOL	For machine washable and tumble dryable wool only (Maximum amount : 3 lb)	◐	Normal Dry (No change)
Manual Dry	40' EXPRESS	Small loads	◐	-
	TIME DRY	Any load	●	-
	AIR FLUFF	Foam, rubber, plastic	◐	-
	REFRESH	Shirts, trousers, pillows	◐	-

NOTE

- : factory setting, ●: can be selected

Cycle		Dry Level setting		
		More	Normal	Less
Sensor Dry	NORMAL	●	●	●
	MIXED LOAD (DV22N685*H*)	●	●	●
	HEAVY DUTY	●	●	●
	SMALL LOAD (DV22N685*H*)	●	●	●
	SHIRTS	●	●	●
	ACTIVE WEAR	-	●	-
	TOWELS	●	●	●
	PERM PRESS	●	●	●
	DELICATES	●	●	●
	WOOL	-	-	●
Manual Dry	40' EXPRESS	-	-	-
	TIME DRY	-	-	-
	AIR FLUFF	-	-	-
	REFRESH	-	-	-

Cycle		Damp Alert	Wrinkle Prevent	Adjust Time
Sensor Dry	NORMAL	●	●	-
	MIXED LOAD (DV22N685*H*)	●	●	-
	HEAVY DUTY	●	●	-
	SMALL LOAD (DV22N685*H*)	●	●	-
	SHIRTS	●	●	-
	ACTIVE WEAR	-	●	-
	TOWELS	●	●	-
	PERM PRESS	●	●	-
	DELICATES	●	●	-
	WOOL	-	●	-
Manual Dry	40' EXPRESS	-	●	●
	TIME DRY	-	●	●
	AIR FLUFF	-	●	●
	REFRESH	-	●	●

Regulatory notice

FCC Notice

CAUTION

Any changes or modifications not expressly approved by the party responsible for compliance could void the user's authority to operate the equipment.

This device complies with Part 15 of FCC Rules. Operation is Subject to following two conditions:

1. This device may not cause harmful interference, and
2. This device must accept any interference received including interference that cause undesired operation.

For products sold in the US and Canadian markets, only channels 1~11 are available. You cannot select any other channels.

FCC STATEMENT:

This equipment has been tested and found to comply within the limits for a Class B digital device, pursuant to part 15 of the FCC Rules. These limits are designed to provide reasonable protection against harmful interference in a residential installation.

This equipment generates, uses, and can radiate radio frequency energy and, if not installed and used in accordance with the instructions, may cause harmful interference to radio communications. However, there is no guarantee that interference will not occur in a particular installation. If this equipment does cause harmful interference to radio or television reception, which can be determined by turning the equipment off and on, the user is encouraged to try to correct the interference by one or more of the following measures:

- Reorienting or relocating the receiving antenna
- Increasing the separation between the equipment and receiver
- Connecting the equipment to an outlet that is on a different circuit than the radio or TV.
- Consulting the dealer or an experienced radio/TV technician for help.

FCC RADIATION EXPOSURE STATEMENT:

This equipment complies with FCC radiation exposure limits set forth for an uncontrolled environment. This equipment should be installed and operated so there is at least 8 inches (20 cm) between the radiator and your body. This device and its antenna(s) must not be co-located or operated in conjunction with any other antenna or transmitter.

IC Notice

The term “IC” before the radio certification number only signifies that Industry Canada technical specifications were met. Operation is subject to the following two conditions:

1. This device may not cause interference, and
2. This device must accept any interference, including interference that may cause undesired operation of the device.

This Class B digital apparatus complies with Canadian ICES-003.

Cet appareil numérique de la classe B est conforme à la norme NMB-003 du Canada.

For products sold in the US and Canadian markets, only channels 1~11 are available. You cannot select any other channels.

IC RADIATION EXPOSURE STATEMENT:

This equipment complies with IC RSS-102 radiation exposure limits set forth for an uncontrolled environment. This equipment should be installed and operated so there is at least 8 inches (20 cm) between the radiator and your body. This device and its antenna(s) must not be co-located or operated in conjunction with any other antenna or transmitter.

Open Source License Notice

The software included in this product contains open source software. You may obtain the complete corresponding source code for a period of three years after the last shipment of this product by sending an email to <mailto:oss.request@samsung.com>.

It is also possible to obtain the complete corresponding source code in a physical medium such as a CD-ROM; a minimal charge will be required.

The following URL http://opensource.samsung.com/opensource/SMART_AT_051/seq/0 leads to the download page of the source code made available and open source license information as related to this product. This offer is valid to anyone in receipt of this information.



Warranty (U.S.A)

SAMSUNG DRYER

LIMITED WARRANTY TO ORIGINAL PURCHASER WITH PROOF OF PURCHASE

This SAMSUNG brand product, as supplied and distributed by SAMSUNG ELECTRONICS AMERICA, INC. (SAMSUNG) and delivered new, in the original carton to the original consumer purchaser, is warranted by SAMSUNG against manufacturing defects in materials or workmanship for the limited warranty period, starting from the date of original purchase, of:

One (1) Year All Parts and Labor

This limited warranty is valid only on products purchased and used in the United States that have been installed, operated, and maintained according to the instructions attached to or furnished with the product. To receive warranty service, the purchaser must contact SAMSUNG at the address or phone number provided below for problem determination and service procedures. Warranty service can only be performed by a SAMSUNG authorized service center. The original dated bill of sale must be presented upon request as proof of purchase to SAMSUNG or SAMSUNG's authorized service center to receive warranty service.

SAMSUNG will provide in-home service within the contiguous United States during the warranty period at no charge, subject to availability of SAMSUNG authorized servicers within the customer's geographic area. If in-home service is not available, SAMSUNG may elect, at its option, to provide transportation of the product to and from an authorized service center. If the product is located in an area where service by a SAMSUNG authorized servicer is not available, you may be responsible for a trip charge or required to bring the product to a SAMSUNG authorized service center for service.

To receive in-home service, product must be unobstructed and accessible to the service agent.

During the applicable warranty period, a product will be repaired, replaced, or the purchase price refunded, at the sole option of SAMSUNG. SAMSUNG may use new or reconditioned parts in repairing a product, or replace the product with a new or reconditioned product. Replacement parts and products are warranted for the remaining portion of the original product's warranty or ninety (90) days, whichever is longer. All replaced parts and products are the property of SAMSUNG and you must return them to SAMSUNG.

This limited warranty covers manufacturing defects in materials or workmanship encountered in normal household, noncommercial use of this product and shall not cover the following: damage that occurs in shipment, delivery, installation, and uses for which this product was not intended; damage caused by unauthorized modification or alteration of the product; product where the original factory serial numbers have been removed, defaced, changed in any way, or cannot be readily determined; cosmetic damage including scratches, dents, chips, and other damage to the product's finishes; damage caused by abuse, misuse, pest infestations, accident, fire, floods, or other acts of nature or God; damage caused by use of equipment, utilities, services, parts, supplies, accessories, applications, installations, repairs, external wiring or connectors not supplied or authorized by SAMSUNG; damage caused by incorrect electrical line current, voltage, fluctuations and surges; damage caused by failure to operate and maintain the product according to instructions; in-home instruction on how to use your product; and service to correct installation not in accordance with electrical or plumbing codes or correction of household electrical or plumbing (i.e., house wiring, fuses, or water inlet hoses). The cost of repair or replacement under these excluded circumstances shall be the customer's responsibility.

Visits by a Service Engineer to explain functions, maintenance or installation is not covered by warranty. Please contact your Samsung call agent for help with any of these issues.

EXCLUSION OF IMPLIED WARRANTIES

IMPLIED WARRANTIES, INCLUDING THE IMPLIED WARRANTIES OF MERCHANTABILITY OR FITNESS FOR A PARTICULAR PURPOSE, ARE LIMITED TO ONE YEAR OR THE SHORTEST PERIOD ALLOWED BY LAW. Some states do not allow limitations on how long an implied warranty lasts, so the above limitations or exclusions may not apply to you. This warranty gives you specific rights, and you may also have other rights, which vary from state to state.

Warranty (U.S.A)

LIMITATION OF REMEDIES

YOUR SOLE AND EXCLUSIVE REMEDY IS PRODUCT REPAIR, PRODUCT REPLACEMENT, OR REFUND OF THE PURCHASE PRICE AT SAMSUNG'S OPTION, AS PROVIDED IN THIS LIMITED WARRANTY. SAMSUNG SHALL NOT BE LIABLE FOR SPECIAL, INCIDENTAL OR CONSEQUENTIAL DAMAGES, INCLUDING BUT NOT LIMITED TO TIME WAY FROM WORK, HOTELS AND/OR RESTAURANT MEALS, REMODELING EXPENSES, LOSS OF REVENUE OR PROFITS, FAILURE TO REALIZE SAVINGS OR OTHER BENEFITS REGARDLESS OF THE LEGAL THEORY ON WHICH THE CLAIM IS BASED, AND EVEN IF SAMSUNG HAS BEEN ADVISED OF THE POSSIBILITY OF SUCH DAMAGES. Some states do not allow exclusion or limitation of incidental or consequential damages, so the above limitations or exclusions may not apply to you. This warranty gives you specific rights, and you may also have other rights, which vary from state to state.

SAMSUNG does not warrant uninterrupted or error-free operation of the product. No warranty or guarantee given by any other person, firm, or corporation with respect to this product shall be binding on SAMSUNG.

To obtain warranty service, please contact SAMSUNG at:

Samsung Electronics America, Inc.

85 Challenger Road

Ridgefield Park, NJ 07660

1-800-SAMSUNG (726-7864)

www.samsung.com/us/support

Warranty (CANADA)

SAMSUNG DRYER

LIMITED WARRANTY TO ORIGINAL PURCHASER

This SAMSUNG brand product, as supplied and distributed by SAMSUNG ELECTRONICS CANADA, INC. (SAMSUNG) and delivered new, in the original carton to the original consumer purchaser, is warranted by SAMSUNG against manufacturing defects in materials and workmanship for a limited warranty period of:

- One (1) year part and labor

This limited warranty begins on the original date of purchase, and is valid only on products purchased and used in the Canada.

To receive warranty service, the purchaser must contact SAMSUNG for problem determination and service procedures.

Warranty service can only be performed by a SAMSUNG authorized service center.

The original dated bill of sale must be presented upon request as proof of purchase to SAMSUNG or SAMSUNG's authorized service center.

SAMSUNG will provide in-home service during the warranty period at no charge, subject to availability within the Canada.

In-home service is not available in all areas.

To receive in-home service, product must be unobstructed and accessible to the service agent.

If service is not available, SAMSUNG may elect to provide transportation of the product to and from an authorized service center.

SAMSUNG will repair, replace, or refund this product at our option and at no charge as stipulated herein, with new or reconditioned parts or products if found to be defective during the limited warranty period specified above.

All replaced parts and products become the property of SAMSUNG and must be returned to SAMSUNG.

Replacement parts and products assume the remaining original warranty, or ninety (90) days, whichever is longer.

Warranty (CANADA)

This limited warranty covers manufacturing defects in materials and workmanship encountered in normal, noncommercial use of this product and shall not apply to the following: damage that occurs in shipment; delivery and installation; applications and uses for which this product was not intended; altered product or serial numbers; cosmetic damage or exterior finish; accidents, abuse, neglect, fire, water, lightning, or other acts of nature or God; use of products, equipment, systems, utilities, services, parts, supplies, accessories, applications, installations, repairs, external wiring or connectors not supplied or authorized by SAMSUNG that damage this product or result in service problems; incorrect electrical line voltage, fluctuations and surges; customer adjustments and failure to follow operating instructions, maintenance and environmental instructions that are covered and prescribed in the instruction book; product removal and reinstallation; problems caused by pest infestations.

This limited warranty does not cover problems resulting from incorrect electric current, voltage or supply, light bulbs, house fuses, house wiring, cost of a service call for instructions, or fixing installation errors.

SAMSUNG does not warrant uninterrupted or error-free operation of the product.

EXCEPT AS SET FORTH HEREIN, THERE ARE NO WARRANTIES ON THIS PRODUCT EITHER EXPRESS OR IMPLIED, AND SAMSUNG DISCLAIMS ALL WARRANTIES INCLUDING, BUT NOT LIMITED TO, ANY IMPLIED WARRANTIES OF MERCHANTABILITY, INFRINGEMENT OR FITNESS FOR A PARTICULAR PURPOSE.

NO WARRANTY OR GUARANTEE GIVEN BY ANY PERSON, FIRM, OR CORPORATION WITH RESPECT TO THIS PRODUCT SHALL BE BINDING ON SAMSUNG.

SAMSUNG SHALL NOT BE LIABLE FOR LOSS OF REVENUE OR PROFITS, FAILURE TO REALIZE SAVINGS OR OTHER BENEFITS, OR ANY OTHER SPECIAL, INCIDENTAL OR CONSEQUENTIAL DAMAGES CAUSED BY THE USE, MISUSE, OR INABILITY TO USE THIS PRODUCT, REGARDLESS OF THE LEGAL THEORY ON WHICH THE CLAIM IS BASED, AND EVEN IF SAMSUNG HAS BEEN ADVISED OF THE POSSIBILITY OF SUCH DAMAGES.

NOR SHALL RECOVERY OF ANY KIND AGAINST SAMSUNG BE GREATER IN AMOUNT THAN THE PURCHASE PRICE OF THE PRODUCT SOLD BY SAMSUNG AND CAUSING THE ALLEGED DAMAGE.

WITHOUT LIMITING THE FOREGOING, PURCHASER ASSUMES ALL RISK AND LIABILITY FOR LOSS, DAMAGE, OR INJURY TO PURCHASER AND PURCHASER'S PROPERTY AND TO OTHERS AND THEIR PROPERTY ARISING OUT OF THE USE, MISUSE, OR INABILITY TO USE THIS PRODUCT.

THIS LIMITED WARRANTY SHALL NOT EXTEND TO ANYONE OTHER THAN THE ORIGINAL PURCHASER OF THIS PRODUCT, IS NONTRANSFERABLE AND STATES YOUR EXCLUSIVE REMEDY.

Some provinces do not allow limitations on how long an implied warranty lasts, or the exclusion or limitation of incidental or consequential damages, so the above limitations or exclusions may not apply to you.

This warranty gives you specific rights, and you may also have other rights, which vary from province to province.

To obtain warranty service, please contact SAMSUNG at:

Samsung Electronics Canada Inc.

2050 Derry Road West,

Mississauga, Ontario L5N 0B9 Canada

1-800-SAMSUNG (726-7864)

www.samsung.com/ca/support (English)

www.samsung.com/ca_fr/support (French)

Visits by a Service Engineer to explain functions, maintenance or installation is not covered by warranty.

Please contact your Samsung call agent for help with any of these issues.



Scan the QR code* or visit
www.samsung.com/spsn
to view our helpful
How-to Videos and Live Shows

*Requires reader to be installed on your smartphone

Scan this with your smartphone

QUESTIONS OR COMMENTS?

COUNTRY	CALL	OR VISIT US ONLINE AT
U.S.A	1-800-SAMSUNG (726-7864) 1-844-SAM-PAYS (726-7297)	www.samsung.com/us/support
CANADA	1-800-SAMSUNG (726-7864) 1-844-SAM-PAYS (726-7297)	www.samsung.com/ca/support (English) www.samsung.com/ca_fr/support (French)

