
24" (61 CM) RANGE HOOD

Installation Instructions and Use & Care Guide

For questions about features, operation/performance, parts, accessories or service, call: **1-800-253-1301**
or visit our website at **www.whirlpool.com**

In Canada, call **1-800-807-6777** or visit our website at **www.whirlpool.ca**

HOTTE D'ASPIRATION DE 24" (61 CM)

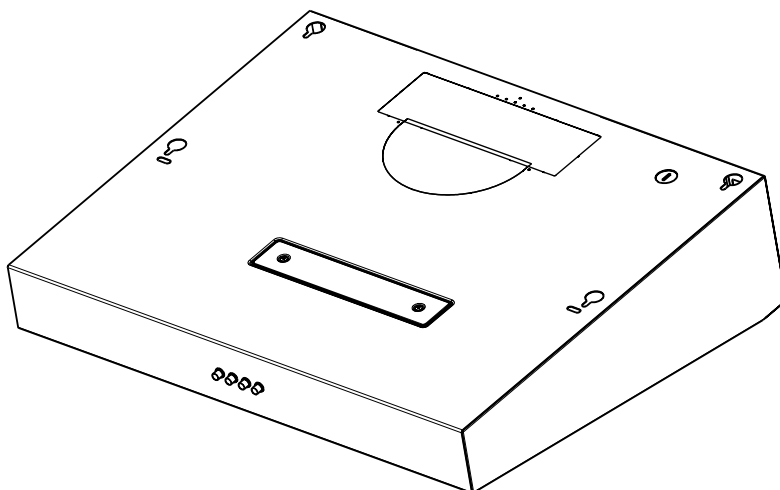
Instructions d'installation et Guide d'utilisation et d'entretien

Au Canada, pour assistance, installation ou service, composer

le **1-800-807-6777** ou visiter notre site Web à

www.whirlpool.ca

Table of Contents/Table des matières.....2



WVU37UC4F

**IMPORTANT: READ AND SAVE THESE INSTRUCTIONS.
FOR RESIDENTIAL USE ONLY.**

**IMPORTANT : LIRE ET CONSERVER CES INSTRUCTIONS.
POUR UTILISATION RÉSIDENNELLE UNIQUEMENT.**

TABLE OF CONTENTS

RANGE HOOD SAFETY	3
INSTALLATION REQUIREMENTS	5
Tools and Parts.....	5
Location Requirements.....	5
Venting Requirements.....	6
Electrical Requirements	7
INSTALLATION INSTRUCTIONS	8
Prepare Location.....	8
Prepare Range Hood	10
Install Range Hood.....	12
Make Electrical Connection	13
Complete Installation	14
RANGE HOOD USE	14
Range Hood Controls	14
RANGE HOOD CARE	15
Cleaning	15
WIRING DIAGRAM	16
ASSISTANCE OR SERVICE	17
In the U.S.A.	17
In Canada	17
Accessories	17
WARRANTY	18

TABLE DES MATIÈRES

SÉCURITÉ DE LA HOTTE	20
EXIGENCES D'INSTALLATION	22
Outils et pièces.....	22
Exigences d'emplacement.....	22
Exigences concernant l'évacuation	23
Spécifications électriques.....	24
INSTRUCTIONS D'INSTALLATION	25
Préparation de l'emplacement.....	25
Préparation de la hotte.....	27
Installation de la hotte	29
Raccordement électrique.....	30
Terminer l'installation.....	31
UTILISATION DE LA HOTTE	31
Commandes de la hotte.....	31
ENTRETIEN DE LA HOTTE	32
Nettoyage	32
SCHÉMA DE CÂBLAGE	33
ASSISTANCE OU SERVICE	34
Aux É.-U.	34
Au Canada.....	34
Accessoires	34
GARANTIE	35

RANGE HOOD SAFETY

Your safety and the safety of others are very important.

We have provided many important safety messages in this manual and on your appliance. Always read and obey all safety messages.



This is the safety alert symbol.

This symbol alerts you to potential hazards that can kill or hurt you and others.

All safety messages will follow the safety alert symbol and either the word "DANGER" or "WARNING."

These words mean:

⚠ DANGER

You can be killed or seriously injured if you don't immediately follow instructions.

⚠ WARNING

You can be killed or seriously injured if you don't follow instructions.

All safety messages will tell you what the potential hazard is, tell you how to reduce the chance of injury, and tell you what can happen if the instructions are not followed.

State of California Proposition 65 Warnings:

WARNING: This product contains one or more chemicals known to the State of California to cause cancer.

WARNING: This product contains one or more chemicals known to the State of California to cause birth defects or other reproductive harm.

IMPORTANT SAFETY INSTRUCTIONS

WARNING: TO REDUCE THE RISK OF FIRE, ELECTRIC SHOCK, OR INJURY TO PERSONS, OBSERVE THE FOLLOWING:

- Use this unit only in the manner intended by the manufacturer. If you have questions, contact the manufacturer.
- Before servicing or cleaning the unit, switch power off at service panel and lock the service disconnecting means to prevent power from being switched on accidentally. When the service disconnecting means cannot be locked, securely fasten a prominent warning device, such as a tag, to the service panel.
- Installation work and electrical wiring must be done by qualified person(s) in accordance with all applicable codes and standards, including fire-rated construction.
- Do not operate any fan with a damaged cord or plug. Discard fan or return to an authorized service facility for examination and/or repair.
- Sufficient air is needed for proper combustion and exhausting of gases through the flue (chimney) of fuel burning equipment to prevent backdrafting. Follow the heating equipment manufacturer's guideline and safety standards such as those published by the National Fire Protection Association (NFPA), the American Society for Heating, Refrigeration and Air Conditioning Engineers (ASHRAE), and the local code authorities.
- When cutting or drilling into wall or ceiling, do not damage electrical wiring and other hidden utilities.
- Ducted fans must always be vented outdoors.

CAUTION: For general ventilating use only. Do not use to exhaust hazardous or explosive materials and vapors.

CAUTION: To reduce risk of fire and to properly exhaust air, be sure to duct air outside - do not vent exhaust air into spaces within walls or ceilings, attics or into crawl spaces, or garages.

WARNING: TO REDUCE THE RISK OF FIRE, USE ONLY METAL DUCTWORK.

WARNING: TO REDUCE THE RISK OF A RANGE TOP GREASE FIRE:

- Never leave surface units unattended at high settings. Boilovers cause smoking and greasy spillovers that may ignite. Heat oils slowly on low or medium settings.
- Always turn hood ON when cooking at high heat or when flambeing food (i.e. Crepes Suzette, Cherries Jubilee, Peppercorn Beef Flambé).
- Clean ventilating fans frequently. Grease should not be allowed to accumulate on fan or filter.
- Use proper pan size. Always use cookware appropriate for the size of the surface element.

WARNING: TO REDUCE THE RISK OF INJURY TO PERSONS IN THE EVENT OF A RANGE TOP GREASE FIRE, OBSERVE THE FOLLOWING:^a

- SMOTHER FLAMES with a close fitting lid, cookie sheet, or metal tray, then turn off the burner. BE CAREFUL TO PREVENT BURNS. If the flames do not go out immediately, EVACUATE AND CALL THE FIRE DEPARTMENT.
- NEVER PICK UP A FLAMING PAN - you may be burned.
- DO NOT USE WATER, including wet dishcloths or towels - a violent steam explosion will result.
- Use an extinguisher ONLY if:
 - You know you have a class ABC extinguisher, and you already know how to operate it.
 - The fire is small and contained in the area where it started.
 - The fire department is being called.
 - You can fight the fire with your back to an exit.

^aBased on "Kitchen Fire Safety Tips" published by NFPA.

- **WARNING:** To reduce the risk of fire or electrical shock, do not use this fan with any solid-state speed control device.

READ AND SAVE THESE INSTRUCTIONS

INSTALLATION REQUIREMENTS

Tools and Parts

Gather the required tools and parts before starting installation. Read and follow the instructions provided with any tools listed here.

Tools needed

- Drill
- 1¼" (3.0 cm) drill bit
- ⅛" (3.0 mm) drill bit for pilot holes
- Pencil
- Wire stripper or utility knife
- Tape measure or ruler
- Caulking gun and weatherproof caulking compound
- Flat-blade screwdriver
- Phillips screwdriver
- Saber or keyhole saw
- Metal snips

Parts supplied

Remove parts from package. Check that all parts are included.

- #8-18 x 1" (4.2 x 25 mm) flat-head screws (2)
- (4.5 x 13 mm) truss-head screws (4)
- Drywall anchors (2)
- Mounting brackets (4)
- (4.2 x 8.5 mm) mounting screws (2)
- (4.2 x 8.5 mm) washers (2)
- TORX[†] T10 adapter (1)
- 3¼" x 10" (8.3 cm x 25.4 cm) rectangular air transition (1)
- Rectangular air damper

Parts needed

- Wall or roof cap with damper to match vent system
- 3 - UL Listed wire connectors
- Vent clamps/duct tape as required

For 7" (17.8 cm) round vented installations:

- 7" (17.8 cm) round metal vent system

For 3¼" x 10" (8.3 cm x 25.4 cm) rectangular vented installations:

- 3¼" x 10" (8.3 cm x 25.4 cm) rectangular metal vent system

For non-vented (recirculation) installations:

- Charcoal Filter Kit. For information on ordering, see the "Accessories" section.

Location Requirements

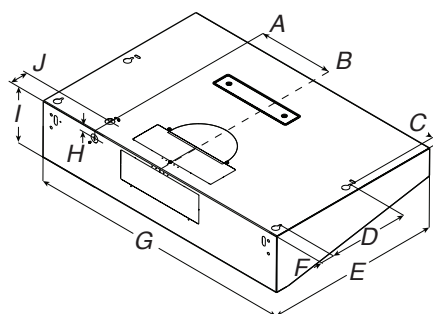
IMPORTANT: Observe all governing codes and ordinances.

- It is the installer's responsibility to comply with installation clearances specified on the model/serial/rating plate. The model/serial/rating plate is located inside the range hood on the left wall.
- Range hood location should be away from strong draft areas, such as windows, doors, and strong heating vents.
- Cabinet opening dimensions that are shown must be used. Given dimensions provide minimum clearance. Consult the cooktop/range manufacturer installation instructions before making any cutouts.
- This range hood is recommended for use with cooktops with a maximum total rating of 55,000 BTUs or less.
- Grounded electrical outlet is required. See the "Electrical Requirements" section.
- All openings in ceiling and wall where range hood will be installed must be sealed.
- These range hoods are factory set for vented installations. Models that are capable of being installed as non-vented (recirculating) require charcoal filters. See the "Accessories" section to order Charcoal Filter Kit.

For Mobile Home Installations

The installation of this range hood must conform to the Manufactured Home Construction Safety Standards, Title 24 CFR, Part 328 (formerly the Federal Standard for Mobile Home Construction and Safety, title 24, HUD, Part 280) or when such standard is not applicable, the standard for Manufactured Home Installation 1982 (Manufactured Home Sites, Communities and Setups) ANSI A225.1/NFPA 501A (latest edition) or with local codes.

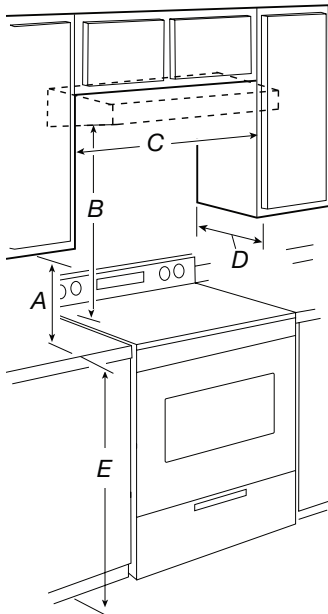
Product Dimensions



- A. 8²⁵/₆₄" (21.3 cm)
- B. Centerline
- C. 1" (2.54 cm)
- D. 8³¹/₃₂" (22.8 cm)
- E. 19¹¹/₁₆" (50 cm)
- F. 1½" (3.8 cm)
- G. 24" (61 cm)
- H. 5⁵/₆₄" (2.2 cm)
- I. 6¹⁹/₅₄" (16 cm)
- J. 2" (5 cm)

[†]TORX is a registered trademark of Acument Intellectual Properties, LLC.

Installation Clearances



- A. 18" (45.7 cm) min. clearance - upper cabinet to countertop
- B. 24" (61.0 cm) minimum - bottom of range hood to cooking surface
- C. 24" (61 cm) min. cabinet opening width
- D. 12" (30.5 cm) minimum cabinet depth
- E. 36" (91.4 cm) base cabinet height

Venting Requirements

- This range hood is factory set to exhaust the air to the outside through the wall or the roof. A non-vented (recirculating) installation will require a Charcoal Filter Kit. See the "Accessories" section for ordering information.
- Vent system must terminate to the outdoors, except for nonvented (recirculating) installations.
- Do not terminate the vent system in an attic or other enclosed area.
- Do not use a 4" (10.2 cm) laundry-type wall cap.
- Use a 7" (17.8 cm) round metal vent or a 3¼" x 10" (8.3 cm x 25.4 cm) rectangular metal vent, depending on your installation requirements. Rigid metal vent is recommended. Plastic or metal foil vent is not recommended.
- The length of vent system and number of elbows should be kept to a minimum to provide efficient performance.

For the most efficient and quiet operation:

- Use no more than three 90° elbows.
- Make sure there is a minimum of 24" (61 cm) of straight vent between the elbows if more than 1 elbow is used.

- Do not install 2 elbows together.
- Use clamps or duct tape to seal all joints in the vent system.
- The vent system must have a damper. If roof or wall cap has a damper, do not use damper supplied with the range hood.
- Use caulking to seal exterior wall or roof opening around the cap.

Cold Weather Installations

An additional backdraft damper should be installed to minimize backward cold air flow and a thermal break should be installed to minimize conduction of outside temperatures as part of the vent system. The damper should be on the cold air side of the thermal break.

The break should be as close as possible to where the vent system enters the heated portion of the house.

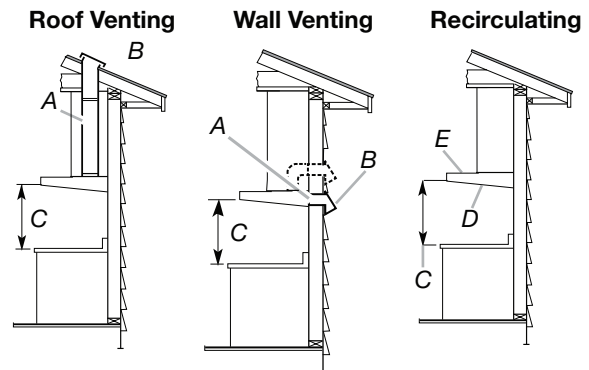
Makeup Air

Local building codes may require the use of makeup air systems when using ventilation systems greater than specified CFM of air movement. The specified CFM varies from locale to locale. Consult your HVAC professional for specific requirements in your area.

Venting Methods

Vent system can terminate either through the roof or wall. Use 3¼" x 10" (8.3 cm x 25.4 cm) rectangular with a maximum vent length of 35 ft (10.7 m) or 7" (17.8 cm) or larger round vent with a maximum length of 50 ft (15.2 m) for vent system.

NOTE: Flexible vent is not recommended. Flexible vent creates both back pressure and air turbulence that greatly reduce performance.




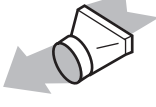



- A. 7" (17.8 cm) round vent through roof or 3¼" x 10" (8.3 cm x 25.4 cm) rectangular vent through the roof or wall (purchased separately)
- B. Roof/Wall cap with damper (purchased separately)
- C. 24" (61.0 cm) min. above the cooking surface
- D. Charcoal Filter Kit (purchased separately)
- E. Recirculating grid

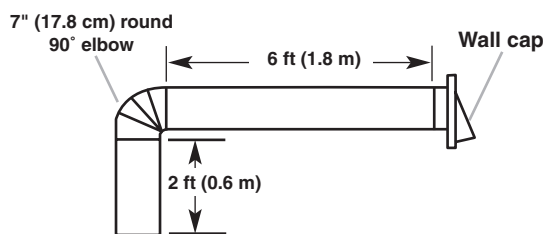
Calculating Vent System Length

To calculate the length of the system you need, add the equivalent feet (meters) for each vent piece used in the system.

7" (17.8 cm) Round Vent System

Vent Piece	Round	
45° elbow	2.5 ft (0.8 m)	
90° elbow	5.0 ft (1.5 m)	
7" (17.8 cm) wall cap	0.0 ft (0.0 m)	
3 1/4" x 10" (8.3 cm x 25.4 cm) to 7" (17.8 cm)	4.5 ft (1.4 m)	
3 1/4" x 10" (8.3 cm x 25.4 cm) to 7" (17.8 cm) 90° elbow	5.0 ft (1.5 m)	

Example vent system

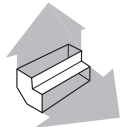
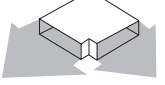



Maximum Recommended Length = 50 ft (15.2 m)

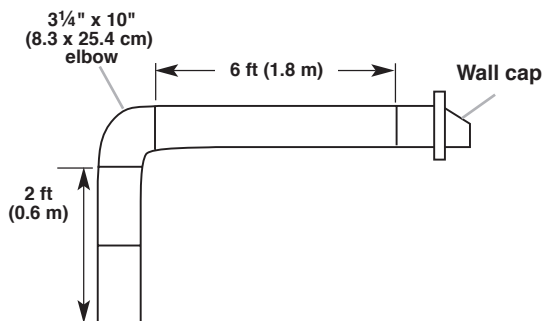
1 - 90° elbow	= 5.0 ft (1.5 m)
1 - wall cap	= 0.0 ft (0.0 m)
8 ft (2.4 m) straight	= 8.0 ft (2.4 m)
Length of 7" (17.8 cm) system	= 13.0 ft (3.9 m)

3 1/4" x 10" (8.3 cm x 25.4 cm) Vent System

Vent Piece

3 1/4" x 10" (8.3 cm x 25.4 cm) 90° elbow	5.0 ft (1.5 m)	
3 1/4" x 10" (8.3 cm x 25.4 cm) flat elbow	12.0 ft (3.7 m)	
3 1/4" x 10" (8.3 cm x 25.4 cm) wall cap	0.0 ft (0.0 m)	

Example vent system



Maximum Recommended Length = 35 ft (10.7 m)

1 - 90° elbow	= 5.0 ft (1.5 m)
8 ft (2.4 m) straight	= 8.0 ft (2.4 m)
1 - wall cap	= 0.0 ft (0.0 m)
Length of 3 1/4" x 10" (8.3 cm x 25.4 cm) system	= 13.0 ft (3.9 m)

Electrical Requirements

Observe all governing codes and ordinances.

Ensure that the electrical installation is adequate and in conformance with National Electrical Code, ANSI/NFPA 70 (latest edition), or CSA Standards C22.1-94, Canadian Electrical Code, Part 1 and C22.2 No. 0-M91 (latest edition) and all local codes and ordinances.

If codes permit and a separate ground wire is used, it is recommended that a qualified electrician determine that the ground path is adequate.

A copy of the above code standards can be obtained from:

National Fire Protection Association
1 Batterymarch Park
Quincy, MA 02169-7471

CSA International
8501 East Pleasant Valley Road
Cleveland, OH 44131-5575

- A 120-volt, 60 Hz., AC-only, 15-amp, fused electrical circuit is required.
- If the house has aluminum wiring, follow the procedure below:
 1. Connect a section of solid copper wire to the pigtail leads.
 2. Connect the aluminum wiring to the added section of copper wire using special connectors and/or tools designed and UL Listed for joining copper to aluminum.

Follow the electrical connector manufacturer's recommended procedure. Aluminum/copper connection must conform with local codes and industry accepted wiring practices.

- Wire sizes and connections must conform with the rating of the appliance as specified on the model/serial/rating plate. The model/serial/rating plate is located inside the range hood.
- Wire sizes must conform to the requirements of the National Electrical Code, ANSI/NFPA 70 (latest edition), or CSA Standards C22. 1-94, Canadian Electrical Code, Part 1 and C22.2 No. 0-M91 (latest edition) and all local codes and ordinances.

INSTALLATION INSTRUCTIONS


Prepare Location

NOTE: It is recommended that the vent system be installed before hood is installed.

Before making cutouts, make sure there is proper clearance within the ceiling or wall for exhaust vent.

1. Disconnect power.

⚠ WARNING



Electrical Shock Hazard

Disconnect power before servicing.

Replace all parts and panels before operating.

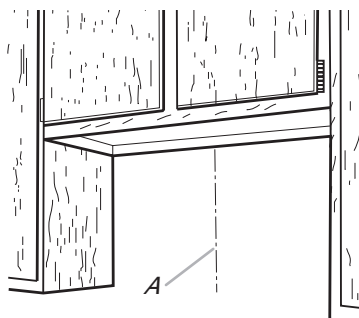
Failure to do so can result in death or electrical shock.

2. Depending on your model, determine which venting method to use: roof, wall, or non-vented (recirculating).
3. Select a flat surface for assembling the range hood. Place covering over that surface.
4. Lift the range hood and set it upside down onto covered surface.

Determine Wiring Hole Location

Cut only one 1¼" (3.2 cm) diameter wiring access hole.

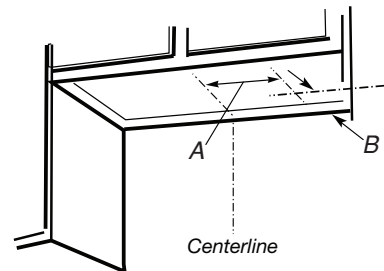
1. Determine and clearly mark a vertical centerline on the wall and cabinet in the area the vent opening will be made.



A. Centerline

To wire through top:

1. Mark a line distance "A" from the right of the centerline on the underside of the cabinet. For 12" (30.5 cm) deep cabinets, mark the point on this line that is 2" (5.1 cm) from the back wall. For 15" (38.1 cm) deep cabinets, mark the point on this line that is 5" (12.7 cm) from the back wall. Drill a 1¼" (3.2 cm) diameter hole through the cabinet at this point.



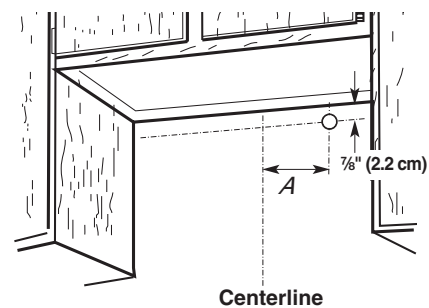
A. 8⅜" (21.3 cm)

B. 2" (5.1 cm) for 12" (30.5 cm) deep cabinets*
5" (12.7 cm) for 15" (38.1 cm) deep cabinets*

*From wall, not cabinet frame

To wire through wall:

1. Mark a line distance "A" from the right of the centerline on the underside of the wall. Mark the point on this line that is 7⁄8" (2.2 cm) from the underside of the cabinet. Drill a 1¼" (3.2 cm) diameter hole through the rear wall at this point.



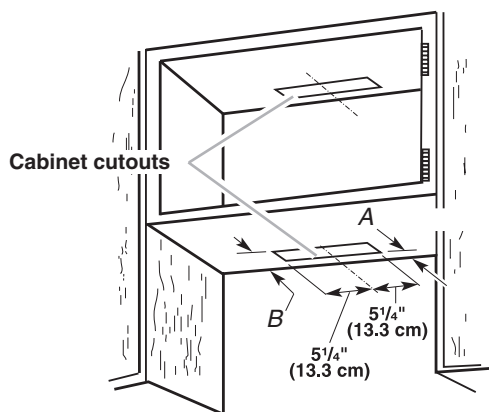
A. 8⅜" (21.3 cm)

Style 1 - Cut Openings for 3 1/4" x 10" (8.3 cm x 25.4 cm) Rectangular Vent System

Roof Venting

To make a 4 1/4" x 10 1/2" (10.8 cm x 26.7 cm) rectangular cutout on the underside of cabinet top and bottom:

1. Mark lines 1/2" (1.3 cm) and 4 3/4" (12.1 cm) from the back wall on the centerline of the underside of cabinet.
2. Mark lines 5 1/4" (13.3 cm) to the right and left of the centerline on the underside of cabinet.
3. Use saber or keyhole saw to cut a rectangular opening for vent.
4. Repeat steps 1 through 3 for the underside of the top of the cabinet.



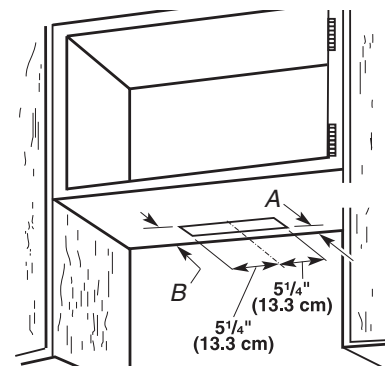
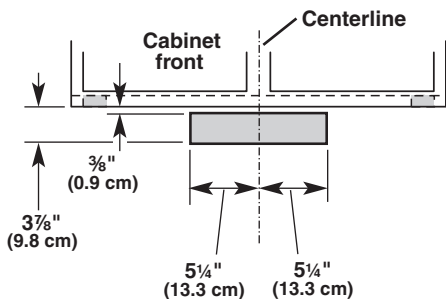
*From wall, not cabinet frame

- A. 1/2" (1.3 cm)
B. 4 3/4" (12.1 cm)

Wall Venting

To make a 3 1/2" x 10 1/2" (8.9 cm x 26.7 cm) rectangle in the wall:

1. Make 2 lines by measuring 3/8" (0.9 cm) and 3 7/8" (9.8 cm) down from underside of cabinet and mark on the centerline on the back wall.
2. Mark lines 5 1/4" (13.3 cm) to the right and left of the centerline on the wall.
3. Use saber or keyhole saw to cut a rectangular opening in the wall for the vent.

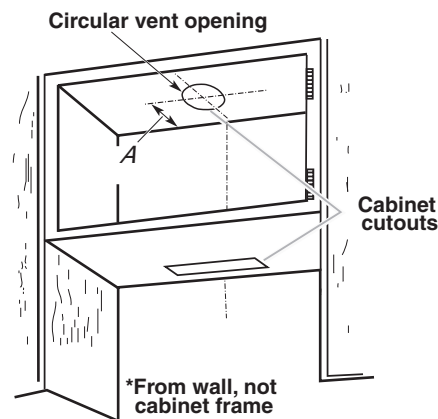


*From wall, not cabinet frame

- A. 1/2" (1.3 cm)
B. 4 3/4" (12.1 cm)

To make a circular vent opening on the underside of the cabinet top:

1. Mark a centerline on the underside of the top of cabinet.
2. Mark a line 5" (12.7 cm) from the back wall on the underside of the top of cabinet.
3. Use a compass or a circle template to draw a circle with a diameter that is 1/4" (0.64 cm) larger than the vent.
4. Use saber or keyhole saw to cut the circular vent opening.



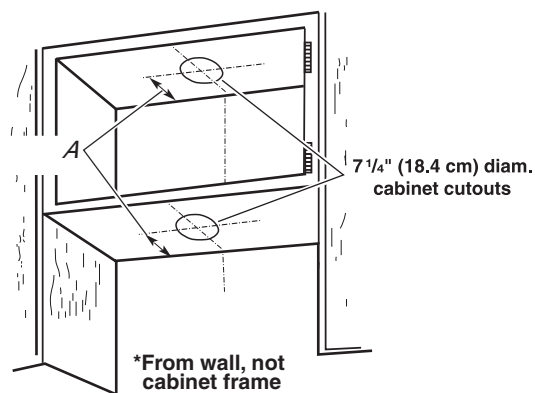
*From wall, not cabinet frame

- A. 5" (12.7 cm)

Style 3 - Cut Openings for 7" (17.8 cm) Round Vent

To make a circular vent openings on the underside of the cabinet top and bottom:

1. Mark a centerline on the underside of the top of cabinet.
2. Mark a line 5" (12.7 cm) from the back wall on the underside of the top and bottom of cabinet.
3. Use a compass or a circle template to draw a circle with a diameter that is 1/4" (0.64 cm) larger than the vent.
4. Use saber or keyhole saw to cut the circular vent opening.



*From wall, not cabinet frame

- A. 5" (12.7 cm)

Style 2 - Cut Openings for 3 1/4" x 10" (8.3 x 25.4 cm) Rectangular Vent to Round Vent Transition

Roof Venting

To make a 4 1/4" x 10 1/2" (10.8 cm x 26.7 cm) rectangular cutout on the underside of cabinet bottom:

1. Mark lines 1/2" (1.3 cm) and 4 3/4" (12.1 cm) from the back wall on the centerline of the underside of cabinet.
2. Mark lines 5 1/4" (13.3 cm) to the right and left of the centerline on the underside of cabinet.
3. Use saber or keyhole saw to cut a rectangular opening for vent.

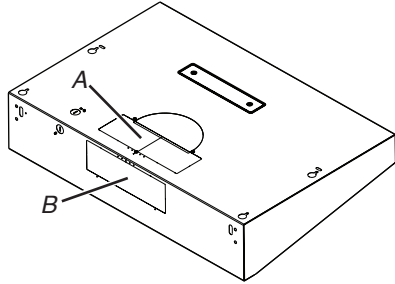
Install Vent System

1. Install vent through the vent opening in upper cabinet or wall. Complete venting system according to the selected venting method. See the "Venting Requirements" section.
2. Use caulking to seal exterior wall or roof opening around the cap.

Prepare Range Hood

Only for venting through the top/wall options:

1. Remove vent knockouts, depending on your installation requirements.



A. Top rectangular vent knockout
B. Rear rectangular vent knockout

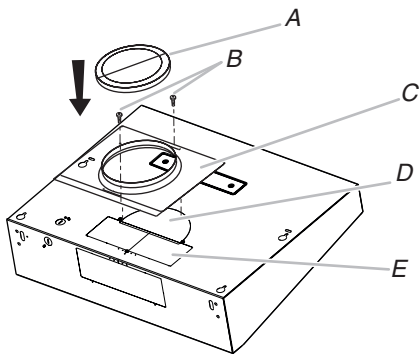
Round vent system installations - Remove top rectangular and round vent knockouts.

Rectangular vent system installations - For roof installations, remove the top rectangular vent knockout. For wall installations, remove the rear rectangular vent knockout.

Non-vent (recirculating) installations - Do not remove any knockouts.

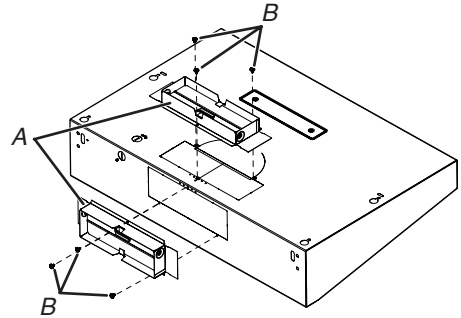
2. Install 7" (17.8 cm) round vent mounting plate or 3¼" x 10" (8.3 cm x 25.4 cm) vent damper, depending on your vent system installation. Attach to range hood with 3.5 x 9.5 mm screws provided and remove the tape from the damper flap.

NOTE: An optional 7" (17.8 cm) round damper is also available as an accessory. For information on ordering, see the "Accessories" section.



A. 7" (17.8 cm) round damper
(See the "Accessories" section)
B. 3.5 x 9.5 mm screws
C. 7" (17.8 cm) round vent mounting plate
D. Round vent knockout
E. Rectangular vent knockout

NOTE: The round vent damper may only be installed on the top of the product.

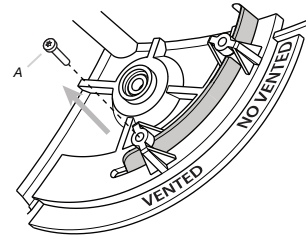


A. 3¼" x 10" (8.3 x 25.4 cm) rectangular vent damper
B. 3.5 x 9.5 mm screws

Only for recirculating options :

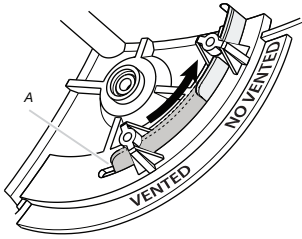
For this venting method, it is necessary to purchase a Charcoal Filter Kit. See the "Accessories" section for ordering.

1. Remove each filter by pulling the spring-release handle and then pulling down the filter.
2. Remove the venting method screw from the vented option with a TORX® T10 screwdriver and set aside.



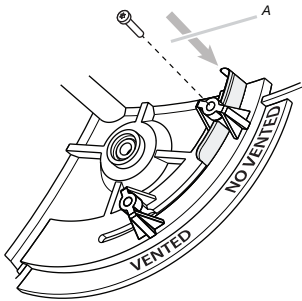
A. Venting method screw

- Slide the venting lever down as shown in the following image.



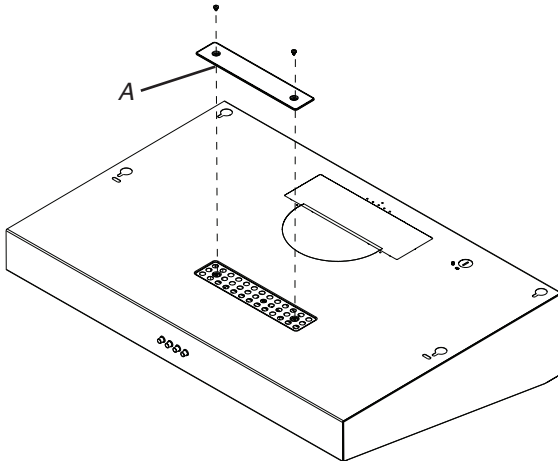
A. Lever on No Vented option

- Replace the venting method screw on the No Vented (recirculating) option.



A. No Vented method screw

- Remove the non-vented (recirculating) vent cover.



A. Non-vented (recirculating) vent cover

- Bend spring clips away from metal grease filter.
- Place charcoal filter into top side of metal filter.



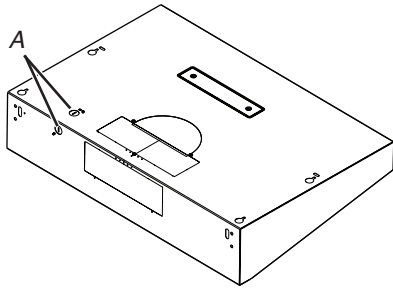
- Bend spring clips back into place to secure the charcoal filter to the metal filter.



- Replace metal grease filter.

Install Range Hood

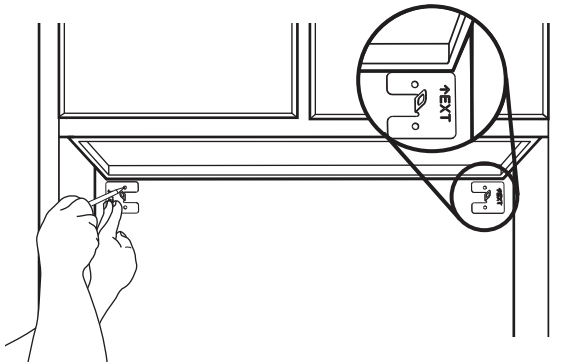
1. Remove the power supply knockout from the top or rear of the vent hood (depending on the incoming location of your home power supply cable) and install a UL Listed or CSA Approved $\frac{1}{2}$ " strain relief.



A. Power supply knockout

2. Align the exterior edge of the mounting brackets with the exterior edges of the upper cabinet.

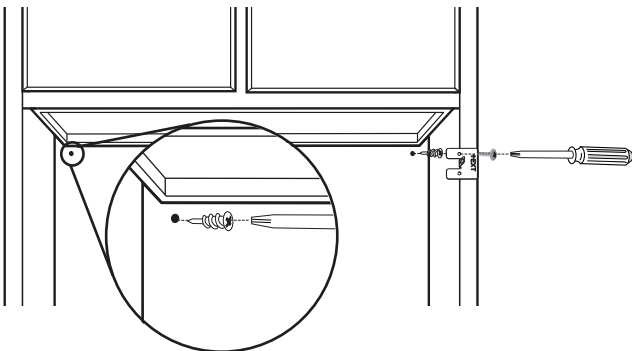
IMPORTANT: The brackets should touch the upper cabinet. With a pencil, mark the upper holes on the brackets.



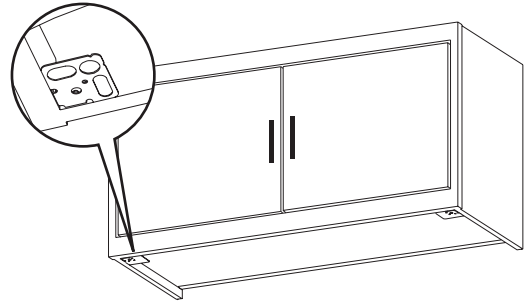
A. Cabinet front face edge
B. Rear installation bracket marks

3. Using a #2 Phillips screwdriver, install the drywall anchors. Using #8-18 x 1" (4.2 x 25 mm) flat-head #2 Phillips screws, install the mounting brackets using the upper holes.

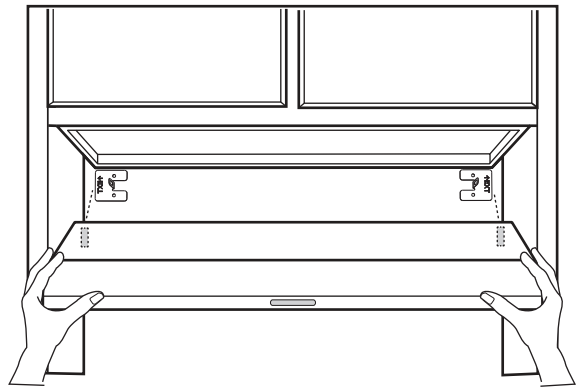
NOTE: For installation to a surface other than drywall, it is recommended that a qualified contractor determine the anchoring method.



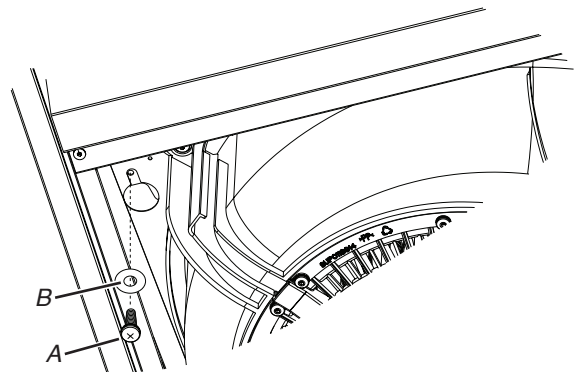
4. With the aid of a 4.5 x 13 mm screw, mount 2 brackets on the inside front or side face of the cabinet, flush with the cabinet bottom.



5. Lift the range hood into place, positioning the rear slots over the mounting brackets.

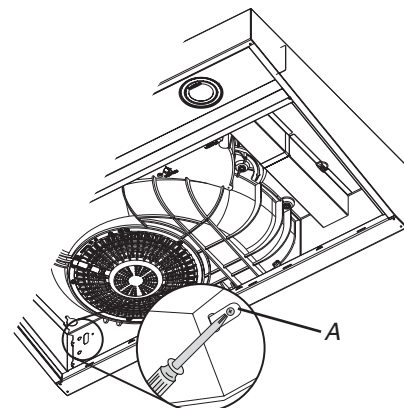


6. Mount a round washer and a 4.5 x 13 mm screw to install the mounting brackets on the front of the cabinet.



A. #8-18 x $\frac{5}{8}$ " (4.2 x 16 mm) screw
B. Washer

7. (Optional) Insert a #8-18 x $\frac{5}{8}$ " (4.2 x 16 mm) screw into the mounting tab (A) on each side of the range hood shown in the following image.



A. #8-18 x $\frac{5}{8}$ " (4.2 x 16 mm) screw

Connect Vent System

Connect the ventwork to the range hood. Seal joints with vent clamps or duct tape to make secure and airtight. Check that the backdraft dampers work properly.

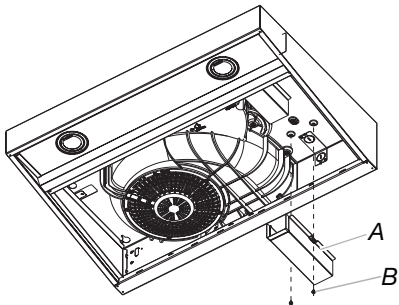
Power Supply Cable Installation

1. For direct wire installations, run the home power supply cable according to the National Electric Code or CSA standards and local codes and ordinances. There must be enough wiring from the fused disconnect (or circuit breaker) box to make the connection in the hood electrical terminal box.

For optional power supply cord kit (see the "Accessories" section), follow the instructions in the "Make Electrical Connections" section.

NOTES:

- Use only with range hood cord connection kits that have been investigated and found acceptable for use with this model range hood.
 - Do not reconnect power until the installation is complete.
2. Remove the screw from the terminal box cover. Remove terminal box cover and set aside.



A. Terminal box cover
B. Screw

Make Electrical Connection

Option 1 - Direct Wire Installations

⚠ WARNING



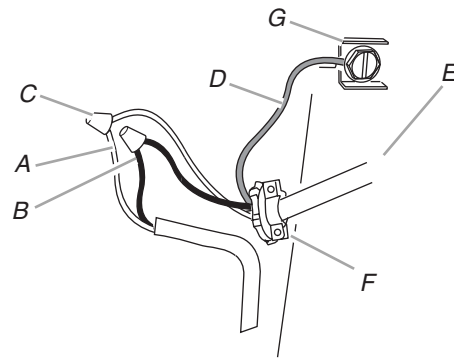
Electrical Shock Hazard

Disconnect power before servicing.

Replace all parts and panels before operating.

Failure to do so can result in death or electrical shock.

1. Disconnect power.



- A. White wires
B. Black wires
C. UL Listed wire connector
D. Green (or bare) ground wire
E. Home power supply cable or power cord accessory kit
F. UL Listed or CSA Approved 1/2" strain relief
G. Green ground screw

2. Use UL Listed wire connectors and connect white wires (A) together.
3. Use UL Listed wire connectors and connect black wires (B) together.

⚠ WARNING



Fire Hazard

Electrically ground the blower.

Use copper wire.

Connect ground wire to green ground screw in terminal box.

Failure to do so can result in death, fire, or electrical shock.

4. Connect green (or bare) ground wire from power supply to green ground screw in terminal box and securely tighten.
5. Install terminal box cover.
6. Reconnect power.

Option 2 - Power Cord Kit Installations

For optional power cord kit installations, follow the instructions supplied with the power cord kit. See the "Accessories" section for information on ordering.

NOTE: Use only with range hood cord connection kits that have been investigated and found acceptable for use with this model range hood.

Complete Installation

1. Replace grease filter if removed. See the "Range Hood Care" section.
2. Check the operation of the range hood fan and light. See the "Range Hood Use" section.

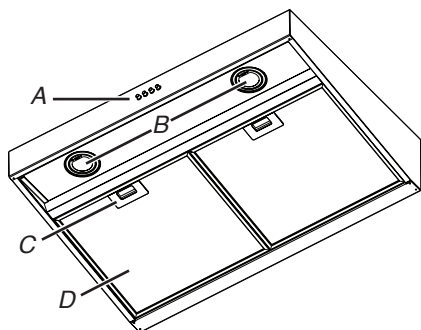
If range hood does not operate, check to see whether a circuit breaker has tripped or a household fuse has blown. Disconnect power and check wiring connections.

NOTE: To get the most efficient use from your new range hood, read the "Range Hood Use" section.

RANGE HOOD USE

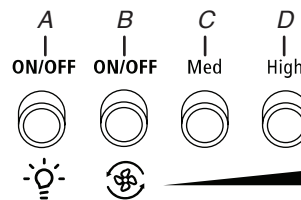
The range hood is designed to remove smoke, cooking vapors, and odors from the cooktop area. For best results, start the hood before cooking and allow it to operate several minutes after the cooking is complete to clear all smoke and odors from the kitchen.

The hood controls are located on the front panel of the range hood.



- A. Blower and light touch control
- B. LED lamps
- C. Filter retainer
- D. Grease filter

Range Hood Controls



- A. Light On/Off button
- B. Blower On/Off and minimum speed button
- C. Blower medium speed button
- D. Blower maximum speed button

Operating the light

The Light On/Off button controls both lights. Press once for On and again for Off.

Operating the blower

The blower buttons turn the blower on/off and control the blower speed and sound level for quiet operation. The speed can be changed anytime during fan operation by pressing the desired blower speed button.

Press the blower On/Off button a second time to turn the blower off.

RANGE HOOD CARE

Cleaning

IMPORTANT: Clean the hood and grease filters frequently according to the following instructions. Replace grease filter before operating hood.

Exterior Surfaces

IMPORTANT: Do not use soap-filled scouring pads, abrasive cleaners, cooktop polishing creme, steel wool, gritty washcloths, or paper towels.

To avoid damage to the stainless steel, do not use cleaners that contain chlorine.

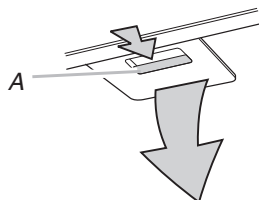
Cleaning Method:

- Rub in direction of grain to avoid scratching or damaging the surface.
- For stainless steel models, Stainless Steel Cleaner and Polish Part Number 31462A (not included): See the “Assistance or Service” section to order.
- Liquid detergent or all-purpose cleaner: Rinse with clean water and dry with soft, lint-free cloth.
- Glass cleaner to remove fingerprints.

Metal Grease Filter

For vented installations:

1. Remove each filter by pulling the spring-release handle and then pulling down the filter.



A. Spring-release handle

2. Wash metal filter as needed in dishwasher or hot detergent solution.
3. Reinstall the filter by making sure the spring-release handles are toward the front. Insert aluminum filter into upper track.
4. Push in spring-release handle.
5. Push up on metal filter and release handle to latch into place.
6. Repeat steps 1 through 5 for the other filter.

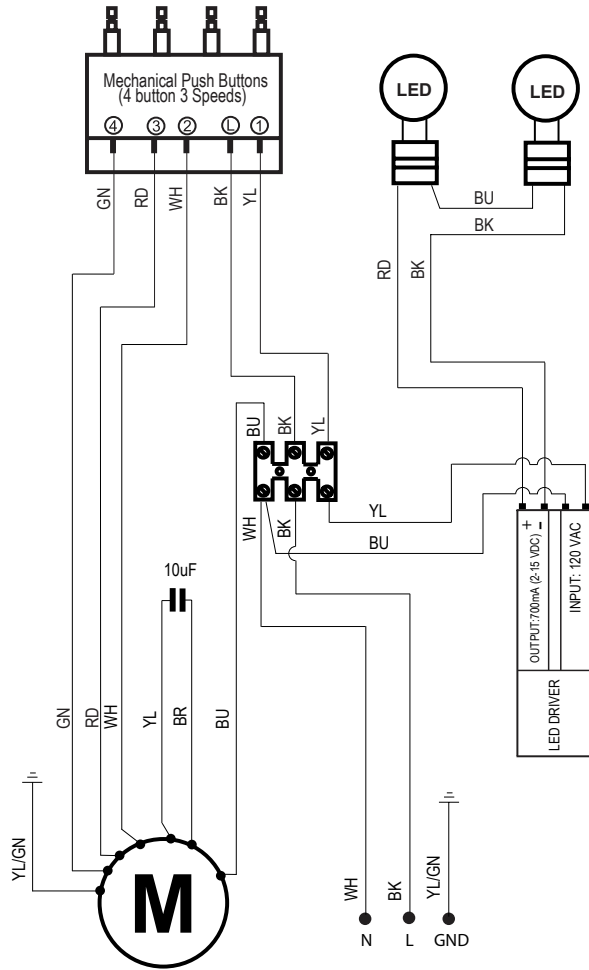
For non-vented (recirculating) installations:

The charcoal filter is not washable. It should last up to 6 months with normal use. Replace with Charcoal Filter Kit. See the “Assistance or Service” section for information on ordering.

Replacing an LED Lamp

The LED lights are replaceable by a service technician only. See the “Warranty” section for service contact information.

WIRING DIAGRAM



PUSH BUTTON SWITCH OPERATION	
FUNCTION	POSITION
OFF	NO CONNECTION
LAMPS	BLACK / YELLOW (L-1)
LOW SPEED	BLACK / WHITE (L-2)
MED SPEED	BLACK / RED (L-3)
HIGH SPEED	BLACK / GREY (L-4)

MOTOR SPECIFICATIONS	
POWER SUPPLY	120 VAC
FREQUENCY	60 HZ
POWER ABSORTION	180W
MOTOR RESISTANCE (Ω)	
BLUE / GREY	31
BLUE / RED	44
BLUE / WHITE	54.5

SEL0120629

ASSISTANCE OR SERVICE

If you need service

Please refer to the warranty page in this manual.

If you need replacement parts

If you need to order replacement parts, we recommend that you use only factory specified parts. Factory specified parts will fit right and work right because they are made with the same precision used to build every new appliance.

To locate factory specified replacement parts in your area, call the following customer assistance telephone number or your nearest designated service center.

In the U.S.A.

Call the Whirlpool Customer eXperience Center toll-free: **1-800-253-1301** or visit our website at **www.whirlpool.com**.

Our consultants provide assistance with:

- Scheduling of service. Whirlpool designated service technicians are trained to fulfill the product warranty and provide after-warranty service, anywhere in the United States.
- Features and specifications on our full line of appliances.
- Referrals to local dealers.
- Installation information.
- Use and maintenance procedures.
- Accessory and repair parts sales.
- Specialized customer assistance (Spanish speaking, hearing impaired, limited vision, etc.).

For further assistance

If you need further assistance, you can write to Whirlpool Corporation with any questions or concerns at:

Whirlpool Brand Home Appliances
Customer eXperience Center
553 Benson Road
Benton Harbor, MI 49022-2692

Please include a daytime phone number in your correspondence.

In Canada

Call the Whirlpool Canada LP Customer eXperience Centre toll-free: **1-800-807-6777** or visit our webpage **www.whirlpool.ca**.

Our consultants provide assistance with:

- Scheduling of service. Whirlpool designated service technicians are trained to fulfill the product warranty and provide after-warranty service, anywhere in Canada.
- Features and specifications on our full line of appliances.
- Referrals to local Whirlpool dealers.
- Use and maintenance procedures.
- Accessory and repair parts sales.
- Referrals to local dealers, repair parts distributors, and service companies. Whirlpool Canada LP designated service technicians are trained to fulfill the product warranty and provide after-warranty service, anywhere in Canada.

For further assistance

If you need further assistance, you can write to Whirlpool Canada LP with any questions or concerns at:

Whirlpool Brand Home Appliances
Customer eXperience Centre
Whirlpool Canada LP
200 - 6750 Century Ave.
Mississauga, Ontario L5N 0B7

Please include a daytime phone number in your correspondence.

Accessories

Stainless Steel Cleaner and Polish

Order Part Number 31462A

Charcoal Filter Kit

Order Part Number W10905733

Power Cord Kit

Order Part Number W10613691

7" (17.8 cm) Round Damper

Order Part Number W10355451

7" Round Damper Vent Mounting Plate

Order Part Number W10388168

WHIRLPOOL® MAJOR APPLIANCE LIMITED WARRANTY

ATTACH YOUR RECEIPT HERE. PROOF OF PURCHASE IS REQUIRED TO OBTAIN WARRANTY SERVICE.

Please have the following information available when you call the Customer eXperience Center:

- Name, address and telephone number
- Model number and serial number
- A clear, detailed description of the problem
- Proof of purchase including dealer or retailer name and address

IF YOU NEED SERVICE:

1. Before contacting us to arrange service, please determine whether your product requires repair. Some questions can be addressed without service. Please take a few minutes to review the Troubleshooting or Problem Solver section of the Use and Care Guide, scan the QR code on the right to access additional resources, or visit www.whirlpool.com/product_help.
2. All warranty service is provided exclusively by our authorized Whirlpool Service Providers. In the U.S. and Canada, direct all requests for warranty service to:

Whirlpool Customer eXperience Center

In the U.S.A., call 1-800-253-1301. In Canada, call 1-800-807-6777.

If outside the 50 United States or Canada, contact your authorized Whirlpool dealer to determine whether another warranty applies.



www.whirlpool.com/product_help

ONE YEAR LIMITED WARRANTY

WHAT IS COVERED

For one year from the date of purchase, when this major appliance is installed, operated and maintained according to instructions attached to or furnished with the product, Whirlpool Corporation or Whirlpool Canada LP (hereafter "Whirlpool") will pay for Factory Specified Replacement Parts and repair labor to correct defects in materials or workmanship that existed when this major appliance was purchased, or at its sole discretion replace the product. In the event of product replacement, your appliance will be warranted for the remaining term of the original unit's warranty period.

YOUR SOLE AND EXCLUSIVE REMEDY UNDER THIS LIMITED WARRANTY SHALL BE PRODUCT REPAIR AS PROVIDED HEREIN. Service must be provided by a Whirlpool designated service company. This limited warranty is valid only in the United States or Canada and applies only when the major appliance is used in the country in which it was purchased. This limited warranty is effective from the date of original consumer purchase. Proof of original purchase date is required to obtain service under this limited warranty.

WHAT IS NOT COVERED

1. Commercial, non-residential, multiple-family use, or use inconsistent with published user, operator or installation instructions.
2. In-home instruction on how to use your product.
3. Service to correct improper product maintenance or installation, installation not in accordance with electrical or plumbing codes or correction of household electrical or plumbing (i.e. house wiring, fuses or water inlet hoses).
4. Consumable parts (i.e. light bulbs, batteries, air or water filters, preservation solutions, etc.).
5. Defects or damage caused by the use of non-genuine Whirlpool parts or accessories.
6. Conversion of products from natural gas or L.P. gas.
7. Damage from accident, misuse, abuse, fire, floods, acts of God or use with products not approved by Whirlpool.
8. Repairs to parts or systems to correct product damage or defects caused by unauthorized service, alteration or modification of the appliance.
9. Cosmetic damage including scratches, dents, chips, and other damage to the appliance finishes unless such damage results from defects in materials and workmanship and is reported to Whirlpool within 30 days.
10. Discoloration, rust or oxidation of surfaces resulting from caustic or corrosive environments including but not limited to high salt concentrations, high moisture or humidity or exposure to chemicals.
11. Food or medicine loss due to product failure.
12. Pick-up or delivery. This product is intended for in-home repair.
13. Travel or transportation expenses for service in remote locations where an authorized Whirlpool servicer is not available.
14. Removal or reinstallation of inaccessible appliances or built-in fixtures (i.e. trim, decorative panels, flooring, cabinetry, islands, countertops, drywall, etc.) that interfere with servicing, removal or replacement of the product.
15. Service or parts for appliances with original model/serial numbers removed, altered or not easily determined.

The cost of repair or replacement under these excluded circumstances shall be borne by the customer.

DISCLAIMER OF IMPLIED WARRANTIES

IMPLIED WARRANTIES, INCLUDING ANY IMPLIED WARRANTY OF MERCHANTABILITY OR IMPLIED WARRANTY OF FITNESS FOR A PARTICULAR PURPOSE, ARE LIMITED TO ONE YEAR OR THE SHORTEST PERIOD ALLOWED BY LAW. Some states and provinces do not allow limitations on the duration of implied warranties of merchantability or fitness, so this limitation may not apply to you. This warranty gives you specific legal rights, and you also may have other rights that vary from state to state or province to province.

DISCLAIMER OF REPRESENTATIONS OUTSIDE OF WARRANTY

Whirlpool makes no representations about the quality, durability, or need for service or repair of this major appliance other than the representations contained in this warranty. If you want a longer or more comprehensive warranty than the limited warranty that comes with this major appliance, you should ask Whirlpool or your retailer about buying an extended warranty.

LIMITATION OF REMEDIES; EXCLUSION OF INCIDENTAL AND CONSEQUENTIAL DAMAGES

YOUR SOLE AND EXCLUSIVE REMEDY UNDER THIS LIMITED WARRANTY SHALL BE PRODUCT REPAIR AS PROVIDED HEREIN. WHIRLPOOL SHALL NOT BE LIABLE FOR INCIDENTAL OR CONSEQUENTIAL DAMAGES. Some states and provinces do not allow the exclusion or limitation of incidental or consequential damages, so these limitations and exclusions may not apply to you. This warranty gives you specific legal rights, and you also may have other rights that vary from state to state or province to province.

SÉCURITÉ DE LA HOTTE

Votre sécurité et celle des autres est très importante.

Nous donnons de nombreux messages de sécurité importants dans ce manuel et sur votre appareil ménager. Assurez-vous de toujours lire tous les messages de sécurité et de vous y conformer.



Voici le symbole d'alerte de sécurité.

Ce symbole d'alerte de sécurité vous signale les dangers potentiels de décès et de blessures graves à vous et à d'autres.

Tous les messages de sécurité suivront le symbole d'alerte de sécurité et le mot "DANGER" ou "AVERTISSEMENT". Ces mots signifient :

⚠ DANGER

Risque possible de décès ou de blessure grave si vous ne suivez pas immédiatement les instructions.

⚠ AVERTISSEMENT

Risque possible de décès ou de blessure grave si vous ne suivez pas les instructions.

Tous les messages de sécurité vous diront quel est le danger potentiel et vous disent comment réduire le risque de blessure et ce qui peut se produire en cas de non-respect des instructions.

Avertissements de la proposition 65 de l'État de Californie :

AVERTISSEMENT : Ce produit contient au moins un produit chimique connu par l'État de Californie pour être à l'origine de cancers.

AVERTISSEMENT : Ce produit contient au moins un produit chimique connu par l'État de Californie pour être à l'origine de malformations et autres déficiences de naissance.

IMPORTANTES INSTRUCTIONS DE SÉCURITÉ

AVERTISSEMENT : POUR RÉDUIRE LE RISQUE D'INCENDIE, CHOC ÉLECTRIQUE OU DOMMAGES CORPORELS, RESPECTER LES INSTRUCTIONS SUIVANTES :

- Utiliser cet appareil uniquement dans les applications envisagées par le fabricant. Pour toute question, contacter le fabricant.
- Avant d'entreprendre un travail d'entretien ou de nettoyage, interrompre l'alimentation de la hotte au niveau du tableau de disjoncteurs, et verrouiller le tableau de disjoncteurs pour empêcher tout rétablissement accidentel de l'alimentation du circuit. Lorsqu'il n'est pas possible de verrouiller le tableau de disjoncteurs, placer sur le tableau de disjoncteurs une étiquette d'avertissement proéminente interdisant le rétablissement de l'alimentation.
- Tout travail d'installation ou câblage électrique doit être réalisé par une personne qualifiée, dans le respect des prescriptions de tous les codes et normes applicables, y compris les codes du bâtiment et de protection contre les incendies.
- Ne pas faire fonctionner un ventilateur dont le cordon ou la fiche est endommagé(e). Jeter le ventilateur ou le retourner à un centre de service agréé pour examen et/ou réparation.
- Une source d'air de débit suffisant est nécessaire pour le fonctionnement correct de tout appareil à gaz (combustion et évacuation des gaz à combustion par la cheminée), pour qu'il n'y ait pas de reflux des gaz de combustion. Respecter les directives du fabricant de l'équipement de chauffage et les prescriptions des normes de sécurité - comme celles publiées par la National Fire Protection Association (NFPA) et l'American Society for Heating, Refrigeration and Air Conditioning Engineers (ASHRAE), et les prescriptions des autorités réglementaires locales.
- Lors des opérations de découpage et de perçage dans un mur ou un plafond, ne pas endommager les câblages électriques et les canalisations qui peuvent s'y trouver.
- Les ventilateurs d'évacuation doivent toujours décharger l'air à l'extérieur.

MISE EN GARDE : Cet appareil est conçu uniquement pour la ventilation générale. Ne pas l'utiliser pour l'extraction de matières ou vapeurs dangereuses ou explosives.

MISE EN GARDE : Pour minimiser le risque d'incendie et évacuer adéquatement les gaz, veiller à acheminer l'air aspiré par un conduit jusqu'à l'extérieur - ne pas décharger l'air aspiré dans un espace vide du bâtiment comme une cavité murale, un plafond, un grenier, un vide sanitaire ou un garage.

AVERTISSEMENT : POUR RÉDUIRE LE RISQUE D'INCENDIE, UTILISER UNIQUEMENT DES CONDUITS MÉTALLIQUES.

AVERTISSEMENT : POUR MINIMISER LE RISQUE D'UN FEU DE GRAISSE SUR LA CUISINIÈRE :

- Ne jamais laisser un élément de surface fonctionner à puissance de chauffage maximale sans surveillance. Un renversement/débordement de matière grasseuse pourrait provoquer une inflammation et la génération de fumée. Utiliser une puissance de chauffage moyenne ou basse pour le chauffage d'huile.
- Veiller à toujours faire fonctionner le ventilateur de la hotte lors de la cuisson avec une puissance de chauffage élevée ou lors de la cuisson d'un mets à flamber (à savoir crêpes Suzette, cerise jubilé, steak au poivre flambé).
- Nettoyer fréquemment les ventilateurs d'extraction. Veiller à ne pas laisser la graisse s'accumuler sur les surfaces du ventilateur ou des filtres.
- Utiliser toujours un ustensile de taille appropriée. Utiliser toujours un ustensile adapté à la taille de l'élément chauffant.

AVERTISSEMENT : POUR RÉDUIRE LE RISQUE DE DOMMAGES CORPORELS APRÈS LE DÉCLENCHEMENT D'UN FEU DE GRAISSE SUR LA CUISINIÈRE, APPLIQUER LES RECOMMANDATIONS SUIVANTES :^a

- Placer sur le récipient un couvercle bien ajusté, une tôle à biscuits ou un plateau métallique POUR ÉTOUFFER LES FLAMMES, puis éteindre le brûleur. VEILLER À ÉVITER LES BRÛLURES. Si les flammes ne s'éteignent pas immédiatement, ÉVACUER LA PIÈCE ET APPELER LES POMPIERS.
- NE JAMAIS PRENDRE EN MAIN UN RÉCIPENT ENFLAMMÉ - vous risquez de vous brûler.
- NE PAS UTILISER D'EAU, ni un torchon humide - ceci pourrait provoquer une explosion de vapeur brûlante.
- Utiliser un extincteur SEULEMENT si :
 - Il s'agit d'un extincteur de classe ABC, dont on connaît le fonctionnement.
 - Il s'agit d'un petit feu encore limité à l'endroit où il s'est déclaré.
 - Les pompiers ont été contactés.
 - Il est possible de garder le dos orienté vers une sortie pendant l'opération de lutte contre le feu.

^aRecommandations tirées des conseils de sécurité en cas d'incendie de cuisine publiés par la NFPA.

- **AVERTISSEMENT :** Pour réduire le risque d'incendie ou de choc électrique, ne pas utiliser ce ventilateur avec un quelconque dispositif de réglage de la vitesse à semi-conducteurs.

LIRE ET CONSERVER CES INSTRUCTIONS

EXIGENCES D'INSTALLATION

Outils et pièces

Rassembler les outils et pièces nécessaires avant d'entreprendre l'installation. Lire et observer les instructions fournies avec chacun des outils de la liste ci-dessous.

Outils nécessaires

- Perceuse
- Mèche de 1¼" (3,0 cm)
- Mèche de ⅛" (3,0 mm) pour les avant-trous
- Crayon
- Pince à dénuder ou couteau tout usage
- Ruban à mesurer ou règle
- Pistolet à calfeutrage et calfeutrant étanche
- Tournevis à lame plate
- Tournevis Phillips
- Scie sauteuse ou scie à guichet
- Cisaille de ferblantier

Pièces fournies

Sortir les pièces de l'emballage. Vérifier que toutes les pièces sont présentes.

- (2) vis à tête plate no 8 -18 x 1" (4,2 x 25 mm)
- (4) vis à tête bombée (4,5 x 13 mm)
- (2) chevilles d'ancrage
- (4) Brides de montage
- (2) vis de montage (4,2 x 8,5 mm)
- (2) rondelles (4,2 x 8,5 mm)
- (1) adaptateur T10 TORX[†]
- (1) raccord rectangulaire d'air de 3¼" x 10" (8,3 cm x 25,4 cm)
- Clapet d'air rectangulaire

Pièces nécessaires

- Bouche de décharge de toit ou de mur avec clapet correspondant au système de ventilation
- 3 connecteurs de fils homologués UL
- Brides de fixation/ruban à conduits au besoin

Pour une installation avec conduit métallique rond de 7" (17,8 cm) :

- Système avec conduit métallique rond de 7" (17,8 cm)

Pour les installations avec raccord rectangulaire d'air de 3¼" x 10" (8,3 cm x 25,4 cm) :

- Système avec raccord rectangulaire d'air de 3¼" x 10" (8,3 cm x 25,4 cm)

Pour les installations sans ventilation (recyclage) :

- Ensemble de filtre à charbon. Pour savoir comment commander, consulter la section "Accessoires".

Exigences d'emplacement

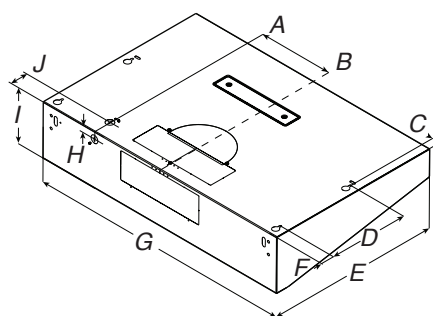
IMPORTANT : Observer les dispositions de tous les codes et règlements en vigueur.

- C'est à l'installateur qu'incombe la responsabilité de respecter les distances de séparation spécifiées sur la plaque signalétique. La plaque signalétique est située dans la hotte, sur la paroi de gauche.
- La hotte devrait être située loin des sources de courant d'air comme les fenêtres, portes et bouches de chauffage.
- Respecter les dimensions indiquées pour les ouvertures à découper dans les meubles. Ces dimensions représentent les valeurs minimales des dégagements. Consulter les instructions d'installation du fabricant de la table de cuisson/du four avant d'effectuer des coupes.
- Il est recommandé d'utiliser cette hotte avec une table de cuisson d'une puissance maximum de 55 000 BTU ou moins.
- Une prise électrique avec liaison à la terre est nécessaire. Voir la section « Spécifications électriques ».
- Toutes les ouvertures dans le plafond et le mur de l'emplacement d'installation de la hotte doivent être scellées.
- Cette hotte a été conçue pour les installations d'évacuation seulement. Les modèles qui peuvent être installés sans ventilation (recyclage) nécessitent des filtres au charbon. Consulter la section "Accessoires" pour commander un ensemble de filtre au charbon.

Pour une installation dans une résidence mobile

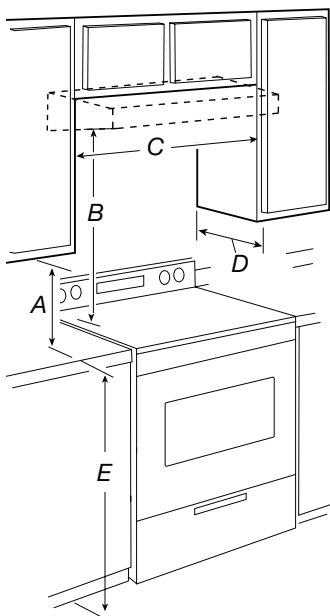
L'installation de cette hotte doit s'effectuer conformément aux descriptions de la norme Manufactured Home Construction Safety Standards, Title 24 CFR, Part 328 (anciennement Federal Standard for Mobile Home Construction and Safety, title 24, HUD, Part 280) ou lorsque cette norme n'est pas applicable, utiliser la norme Standard for Manufactured Home Installations 1982 (Manufactured Home Sites, Communities and Setups) ANSI A225.1/NFPA 501A ou respecter les dispositions des codes locaux.

Dimensions du produit



- A. 8²⁵/₆₄" (21,3 cm)
- B. Ligne centrale
- C. 1" (2,54 cm)
- D. 8³¹/₃₂" (22,8 cm)
- E. 19¹¹/₁₆" (50 cm)
- F. 1½" (3,8 cm)
- G. 24" (61 cm)
- H. 55⁵/₆₄" (2,2 cm)
- I. 6¹⁹/₅₄" (16 cm)
- J. 2" (5 cm)

Distances de dégagement à respecter



- A. Dégagement minimal de 18" (45,7 cm) entre le placard supérieur et le plan de travail
- B. Minimum de 24" (61,0 cm) entre le bas de la hotte et la surface de cuisson
- C. Largeur de cabinet de 24" (61 cm) min.
- D. Profondeur recommandée de placard : 12" (30,5 cm)
- E. Hauteur de la base de placard de 36" (91,4 cm)

Exigences concernant l'évacuation

- Cette hotte a été fabriquée en usine pour expulser l'air à l'extérieur par le mur ou le plafond. Une installation sans ventilation (recyclage) aura besoin d'un ensemble de filtre au charbon. Voir la section "Accessoires" pour savoir comment commander.
- Le système de ventilation doit évacuer vers l'extérieur, sauf pour les installations sans ventilation (recyclage).
- Ne pas terminer le circuit d'évacuation dans un grenier ou dans un autre espace clos.
- Ne pas utiliser une bouche d'évacuation murale de 4" (10,2 cm) normalement utilisée pour un équipement de buanderie.
- Utiliser un conduit métallique rond de 7" (17,8 cm) ou un conduit métallique rectangulaire de 3 1/4" x 10" (8,3 cm x 25,4 cm), selon la configuration d'installation. Un conduit en métal rigide est recommandé. Il n'est pas recommandé d'utiliser un conduit en plastique ou en métal très mince.
- La longueur du circuit d'évacuation et le nombre de coudes doivent être réduits au minimum pour des performances optimales.

Pour un fonctionnement efficace et silencieux :

- Ne pas utiliser plus de trois coudes à 90°.
- Veiller à incorporer une section de conduit rectiligne d'au moins 24" (61 cm) entre deux raccords coudés adjacents.

- Ne pas installer 2 coudes ensemble.
- Utiliser des brides et du ruban à conduit afin d'assurer l'étanchéité de chaque jointure du circuit d'évacuation.
- Le circuit d'évacuation doit comporter un clapet anti-reflux. Si la bouche d'évacuation murale ou par le toit comporte un clapet anti-reflux, ne pas utiliser le clapet fourni avec la hotte.
- À l'aide d'un produit de calfeutrage, assurer l'étanchéité autour de la bouche de décharge à l'extérieur (à travers le mur ou le toit).

Installations dans les régions au climat froid

Un clapet anti-reflux additionnel devrait être installé pour minimiser le reflux d'air froid et une barrière thermique devrait aussi être installée pour minimiser la conduction des températures extérieures par l'intermédiaire du conduit d'évacuation. Le clapet anti-reflux doit être placé du côté air froid de la barrière thermique.

La barrière thermique doit être aussi proche que possible de l'entrée du circuit d'évacuation dans la partie chauffée de la maison.

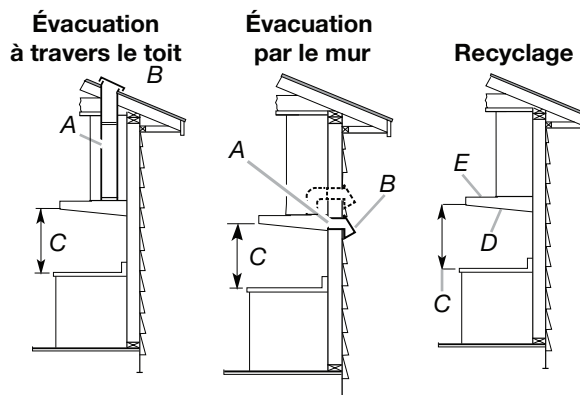
Air d'appoint

Les codes locaux en bâtiment peuvent imposer l'emploi d'un circuit de renouvellement de l'air/introduction d'air d'appoint, lors de l'utilisation d'un circuit d'aspiration de débit supérieur à une valeur spécifiée en pieds cubes par minute (CFM). Le débit spécifié en pieds cubes par minute varie d'une juridiction à l'autre. Consulter un professionnel des installations de chauffage ventilation/climatisation au sujet des exigences spécifiques applicables dans la juridiction locale.

Méthodes d'évacuation

La sortie à l'extérieur du circuit d'évacuation peut se faire à travers le toit ou le mur. Utiliser des conduits rectangulaires de 3 1/4" x 10" (8,3 cm x 25,4 cm) avec une longueur maximale de 35 pi (10,7 m) ou des conduits ronds de 7" (17,8 cm) de diamètre ou plus avec une longueur maximale de 50 pi (15,2 m) pour le système d'évacuation.

REMARQUE : L'emploi d'un conduit flexible est déconseillé. Un conduit flexible peut causer une contre-pression, ainsi que des turbulences d'air, ce qui réduit considérablement la performance.





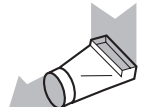


- A. Un conduit rond de 7" (17,8 cm) par le toit ou rectangulaire de 3 1/4" x 10" (8,3 cm x 25,4 cm) par le toit ou le mur (vendu séparément)
- B. Bouche d'évacuation murale ou par le toit (vendue séparément)
- C. Minimum de 24" (61,0 cm) au-dessus de la surface de cuisson
- D. Ensemble de filtre au charbon (vendu séparément)
- E. Grille de recyclage

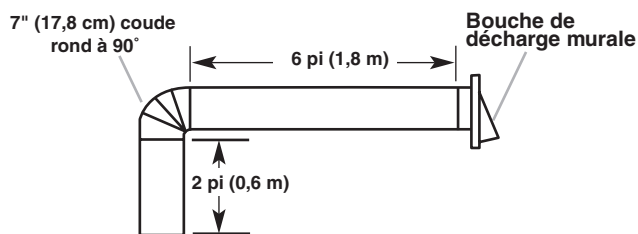
Calcul de la longueur du circuit d'évacuation

Pour calculer la longueur effective du circuit d'évacuation nécessaire, additionner les longueurs équivalentes (en pieds ou mètres) de tous les composants utilisés dans le circuit.

Système avec conduit rond de 7" (17,8 cm)

Composant	Rond	
Coude à 45°	2,5 pi (0,8 m)	
Coude à 90°	5,0 pi (1,5 m)	
Bouche de décharge murale de 7" (17,8 cm)	0,0 pi (0,0 m)	
3 1/4" x 10" (8,3 cm x 25,4 cm) à 7" (17,8 cm)	4,5 pi (1,4 m)	
3 1/4" x 10" (8,3 cm x 25,4 cm) à coude 90° de 7" (17,8 cm)	5,0 pi (1,5 m)	

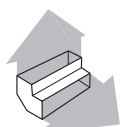
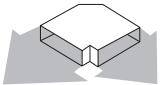

Exemple de circuit d'évacuation



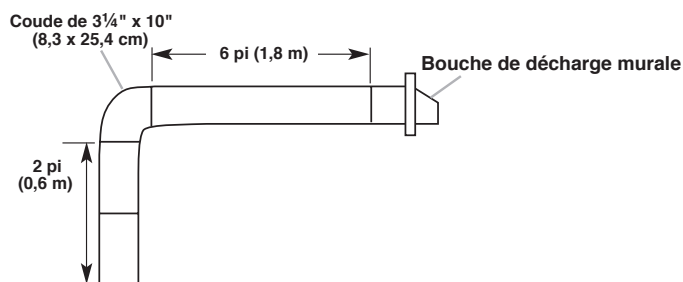
Longueur maximum recommandée	= 50 pi (15,2 m)
1 coude à 90°	= 5,0 pi (1,5 m)
1 bouche de décharge murale	= 0,0 pi (0,0 m)
Section droite de 8 pi (2,4 m)	= 8,0 pi (2,4 m)
Système à longueur de 7" (17,8 cm)	= 13,0 pi (3,9 m)

Système de ventilation de 3 1/4" x 10" (8,3 cm x 25,4 cm)

Composant

3 1/4" x 10" (8,3 cm x 25,4 cm) Coude à 90°	5,0 pi (1,5 m)	
3 1/4" x 10" (8,3 cm x 25,4 cm) Coude plat	12,0 pi (3,7 m)	
3 1/4" x 10" (8,3 cm x 25,4 cm) Bouche d'évacuation murale	0,0 pi (0,0 m)	

Exemple de circuit d'évacuation



Longueur maximum recommandée	= 35 pi (10,7 m)
1 coude à 90°	= 5,0 pi (1,5 m)
Section droite de 8 pi (2,4 m)	= 8,0 pi (2,4 m)
1 bouche de décharge murale	= 0,0 pi (0,0 m)
Longueur de 3 1/4" x 10" (8,3 cm x 25,4 cm) système	= 13,0 pi (3,9 m)

Spécifications électriques

Observer les dispositions de tous les codes et règlements en vigueur.

S'assurer que l'installation électrique est appropriée et conforme au National Electrical Code, à la norme ANSI/NFPA 70 (plus récente édition) ou à la norme CSA C22.1-94, au Code canadien de l'électricité, partie 1 et C22.2 N° 0-M91 (plus récente édition) et à tous les codes et règlements locaux.

Si les codes le permettent et si l'on utilise un conducteur distinct de liaison à la terre, il est recommandé qu'un électricien qualifié vérifie la qualité de la liaison à la terre.

Pour obtenir un exemplaire des normes des codes ci-dessus, contacter :

National Fire Protection Association
1 Batterymarch Park
Quincy, MA 02169-7471
CSA International
8501 East Pleasant Valley Road
Cleveland, OH 44131-5575

- L'appareil doit être alimenté que par un circuit de 120 V CA, 60 Hz, protégé par fusible 15 A et mis à la terre.
- Si le domicile possède un câblage en aluminium, suivre la procédure ci-dessous :
 1. Raccorder une portion de câble en cuivre massif aux conducteurs de raccordement.
 2. Connecter le câblage en aluminium à la portion ajoutée de câblage en cuivre en utilisant des connecteurs ou des outils spécialement conçus et homologués UL pour raccorder le cuivre à l'aluminium.

Appliquer la procédure recommandée par le fabricant des connecteurs. Les raccordements aluminium/cuivre doivent satisfaire aux prescriptions des codes locaux et de l'industrie, et être conformes aux pratiques de câblage reconnues.

- Le calibre des conducteurs et les connexions doivent être compatibles avec les caractéristiques électriques de l'appareil spécifiées sur la plaque signalétique. La plaque signalétique est située dans la hotte.
- Le calibre des câbles et des raccordements doit être conforme au National Electrical Code, ANSI/NFPA 70 (édition la plus récente) ou CSA Standards C22. 1-94, Code canadien des installations électriques, partie 1 et C22.2 No 0-M91 (édition la plus récente) et de tous les codes et règlements en vigueur.

INSTRUCTIONS D'INSTALLATION

Préparation de l'emplacement

REMARQUE : On recommande d'installer le circuit d'évacuation avant d'entreprendre l'installation de la hotte.

Avant d'effectuer des coupes, s'assurer que l'espace est suffisant sur le mur ou le plafond pour le conduit d'évacuation.

1. Déconnecter la source de courant électrique.

⚠ AVERTISSEMENT



Risque de choc électrique

Déconnecter la source de courant électrique avant l'entretien.

Replacer pièces et panneaux avant de faire la remise en marche.

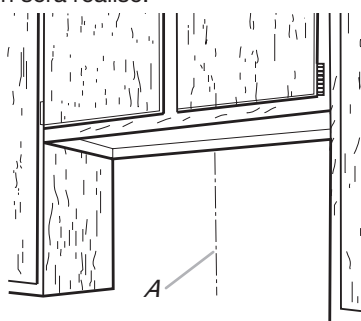
Le non-respect de ces instructions peut causer un décès ou un choc électrique.

2. Selon le modèle, déterminer la méthode d'évacuation à utiliser : évacuation à travers le mur ou le toit et recyclage.
3. Choisir une surface plane pour l'assemblage de la hotte. Placer le matériau de protection sur cette surface.
4. Soulever la hotte et la placer inversée sur surface couverte.

Déterminer l'emplacement du trou de passage du câble

Percer seulement un trou de passage de 1 1/4" (3,2 cm) de diamètre pour le câblage.

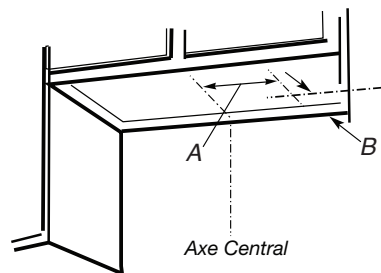
1. Déterminer et tracer clairement l'axe central vertical sur le mur et le placard dans la zone où le passage du conduit d'évacuation sera réalisé.



A. Axe central

Câblage à travers le sommet du placard :

1. Tracer une ligne de distance "A" à droite de l'axe central, sur la face inférieure du placard. Pour les placards de 12" (30,5 cm) de profondeur, sur cette ligne, marquer le point situé à 2" (5,1 cm) du mur arrière. Pour les placards de 15" (38,1 cm) de profondeur, sur cette ligne, marquer le point situé à 5" (12,7 cm) du mur arrière. Percer en ce point un trou de 1 1/4" (3 cm) de diamètre à travers le placard.

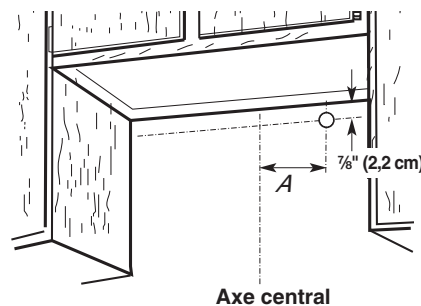


A. 8 3/8" (21,3 cm)

B. 2" (5,1 cm) pour un placard de 12" (30,5 cm) de profond*
5" (12,7 cm) pour un placard de 15" (38,1 cm) de profond*
*à partir du mur, et non du cadre du placard

Passage du câble à travers le mur :

1. Tracer une ligne de distance "A" à droite de l'axe central, sur la face inférieure du placard. Sur cette ligne, marquer le point situé à 7/8" (2,2 cm) à partir de la face inférieure du mur. Percer en ce point un trou de 1 1/4" (3,2 cm) de diamètre à travers le mur arrière.



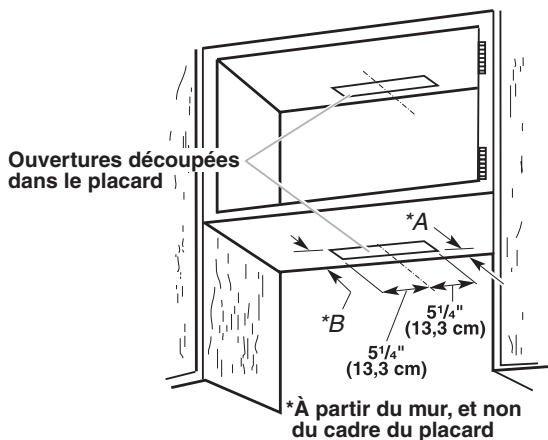
A. 8 3/8" (21,3 cm)

Style 1 – Découpages d'ouverture pour un système d'évacuation rectangulaire de 3¼" x 10" (8,3 cm x 25,4 cm)

Évacuation à travers le toit

Découpage d'une ouverture rectangulaire de 4¼" x 10½" (10,8 cm x 26,7 cm) sur la face inférieure du sommet et du bas du placard :

1. Tracer des lignes à ½" (1,3 cm) et 4¾" (12,1 cm) du mur arrière, sur l'axe central de la face inférieure du placard.
2. Tracer des lignes à 5¼" (13,3 cm) de part et d'autre de l'axe central sur la face inférieure du placard.
3. Utiliser une scie sauteuse ou une scie à guichet pour découper l'ouverture rectangulaire pour le passage du conduit d'évacuation.
4. Répéter les étapes 1 à 3 pour la face inférieure du sommet du placard.

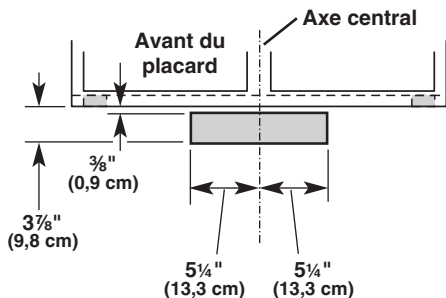


A. ½" (1,3 cm)*
B. 4¾" (12,1 cm)*

Évacuation par le mur

Découpage d'une ouverture rectangulaire de 3½" x 10½" (8,9 cm x 26,7 cm) dans le mur :

1. Mesurer 2 lignes de ¾" (0,9 cm) et 3⅞" (9,8 cm) en descendant à partir de la face inférieure du placard et marquer leur emplacement sur l'axe central du mur arrière.
2. Tracer des lignes à 5¼" (13,3 cm) de part et d'autre de l'axe central sur le mur.
3. Utiliser une scie sauteuse ou une scie à guichet pour découper l'ouverture rectangulaire dans le mur pour le passage du conduit d'évacuation.

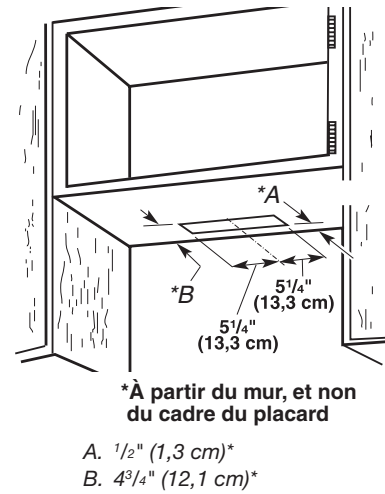


Style 2 – Découpages d'ouverture pour un conduit d'évacuation rectangulaire de 3¼" x 10" (8,3 cm x 25,4 cm) sur raccord de transition rond.

Évacuation à travers le toit

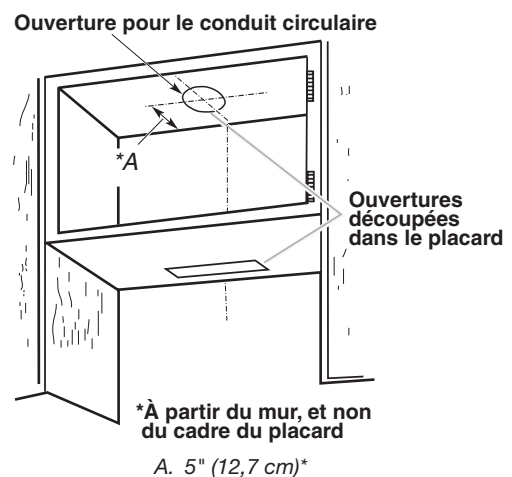
Découpage d'une ouverture rectangulaire de 4¼" x 10½" (10,8 cm x 26,7 cm) sur la face inférieure du bas du placard :

1. Tracer des lignes à ½" (1,3 cm) et 4¾" (12,1 cm) du mur arrière, sur l'axe central de la face inférieure du placard.
2. Tracer des lignes à 5¼" (13,3 cm) de part et d'autre de l'axe central sur la face inférieure du placard.
3. Utiliser une scie sauteuse ou une scie à guichet pour découper l'ouverture rectangulaire pour le passage du conduit d'évacuation.



Découpage d'une ouverture circulaire sur la face inférieure du sommet du placard :

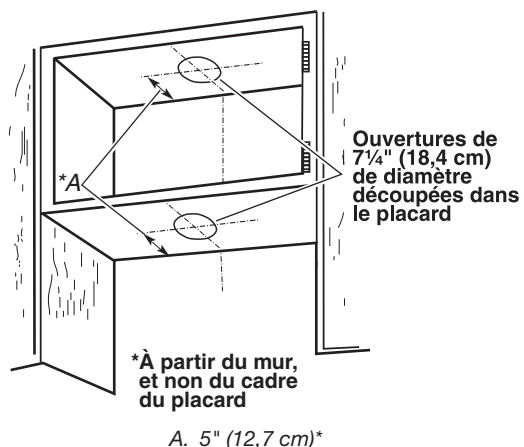
1. Tracer un axe central sur la face inférieure du sommet du placard.
2. Tracer une ligne de 5" (12,7 cm) en partant du mur arrière sur la face inférieure du sommet du placard.
3. Utiliser un compas ou un gabarit circulaire pour tracer un cercle avec un diamètre de ¼" (0,64 cm) supérieur à celui du conduit d'évacuation.
4. Utiliser une scie sauteuse ou une scie à guichet pour découper l'ouverture circulaire pour le passage du conduit d'évacuation.



Style 3 – Découpage d'ouvertures pour un conduit d'évacuation rond de 7" (17,8 cm)

Découpage d'une ouverture circulaire sur la face inférieure du sommet et du bas du placard :

1. Tracer un axe central sur la face inférieure du sommet du placard.
2. Tracer une ligne de 5" (12,7 cm) en partant du mur arrière sur la face inférieure du sommet et du bas du placard.
3. Utiliser un compas ou un gabarit circulaire pour tracer un cercle avec un diamètre de $\frac{1}{4}$ " (0,64 cm) supérieur à celui du conduit d'évacuation.
4. Utiliser une scie sauteuse ou une scie à guichet pour découper l'ouverture circulaire pour le passage du conduit d'évacuation.



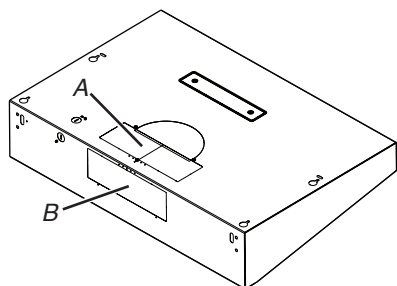
Installation du conduit d'évacuation

1. Installer le conduit d'évacuation à travers les ouvertures découpées dans le placard mural ou le mur. Achever l'installation du système d'évacuation conformément à la méthode d'évacuation sélectionnée. Voir la section "Exigences concernant l'évacuation".
2. À l'aide d'un produit de calfeutrage, assurer l'étanchéité autour de la bouche de décharge à l'extérieur (à travers le mur ou le toit).

Préparation de la hotte

Seulement pour les options d'évacuation par le haut/mur :

1. Selon la configuration d'installation, ôter les opercules amovibles du conduit d'évacuation.



- A. Opercule amovible rectangulaire supérieur du conduit d'évacuation
- B. Opercule amovible rectangulaire arrière du conduit d'évacuation

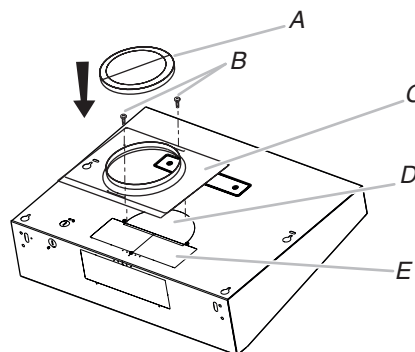
Installations pour système d'évacuation rond – Retirer l'opercule amovible rectangulaire supérieur et l'opercule en demi-cercle.

Installations pour système d'évacuation rectangulaire – pour les installations avec passage par le toit, retirer l'opercule amovible rectangulaire supérieur du conduit d'évacuation. Pour les installations murales, retirer l'opercule amovible rectangulaire arrière.

Installation sans évacuation à l'extérieur (recyclage) – Ne pas retirer les opercules.

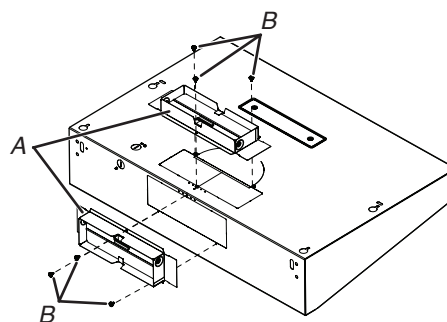
2. Installer une plaque de montage de conduit rond de 7" (17,8 cm) ou un clapet de 3 1/4" x 10" (8,3 cm x 25,4 cm) en fonction de la configuration du circuit d'évacuation. La fixer à la hotte à l'aide des vis fournies de 3,5 mm x 9,5 mm et retirer le ruban adhésif de l'obturateur à registre.

REMARQUE : Un clapet anti-reflux circulaire de 7" (17,8 cm) est disponible en option. Pour savoir comment commander, consulter la section "Accessoires".



- A. Clapet anti-reflux circulaire de 7" (17,8 cm) (Voir la section "Accessoires")
- B. Vis 3,5 mm x 9,5 mm
- C. Plaque de montage de conduit circulaire de 7" (17,8 cm)
- D. Opercule amovible en demi-cercle du conduit d'évacuation
- E. Opercule amovible rectangulaire du conduit d'évacuation

REMARQUE : Le clapet pour conduit circulaire ne peut être installé que sur le dessus du produit.

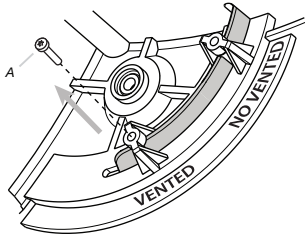


- A. Clapet de raccord de transition rectangulaire de 3 1/4" x 10" (8,3 x 25,4 cm)
- B. Vis 3,5 mm x 9,5 mm

Seulement pour les options avec recyclage de l'air

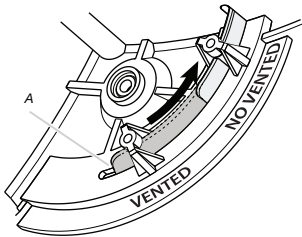
Pour ce mode d'évacuation, il est nécessaire d'acheter un ensemble de filtre au charbon. Voir la section «Accessoires» pour commander.

1. Retirer chaque filtre en tirant sur la poignée à ressort puis en tirant le filtre vers le bas.
2. Enlever la vis de méthode d'évacuation de l'option de ventilation d'un tournevis TORX® T10 et garder pour plus tard.



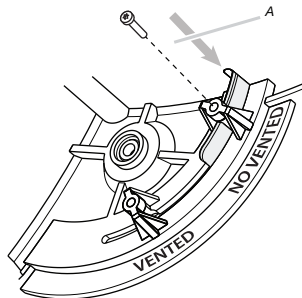
A. Vis de méthode d'évacuation

3. Glisser le levier de ventilation vers le bas comme indiqué dans l'image suivante.



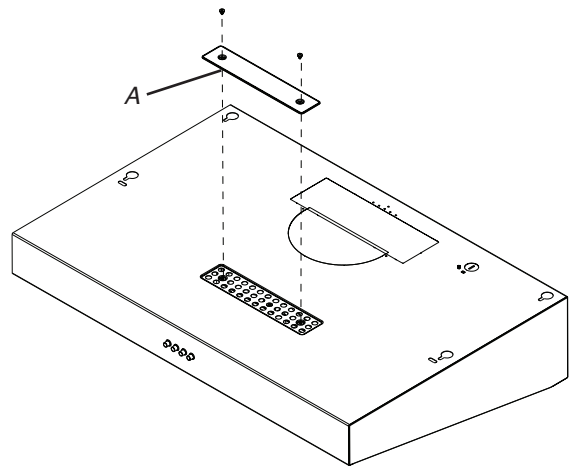
A. Levier de l'option sans ventilation

4. Replacer la vis de méthode d'évacuation sur l'option sans ventilation (recyclage).



A. Vis de méthode sans ventilation

5. Retirer le cache-conduit sans ventilation (recyclage).



A. Cache-conduit sans ventilation (recyclage).

6. Plier les attaches à ressort pour les écarter du filtre à graisse métallique.
7. Placer le filtre à charbon dans la partie supérieure du filtre métallique.



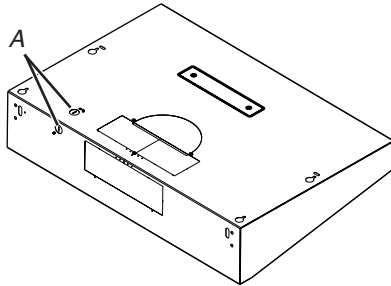
8. Déplier les attaches à ressort pour les remettre en place afin de fixer le filtre à charbon au filtre métallique.



9. Réinstaller le filtre à graisse métallique.

Installation de la hotte

1. Ôter l'opercule pour le passage de l'alimentation électrique du sommet ou de l'arrière de la hotte de ventilation (selon l'emplacement du point d'entrée du câble d'alimentation du domicile) et installer un serre-câbles de 1/2" homologué UL ou CSA.

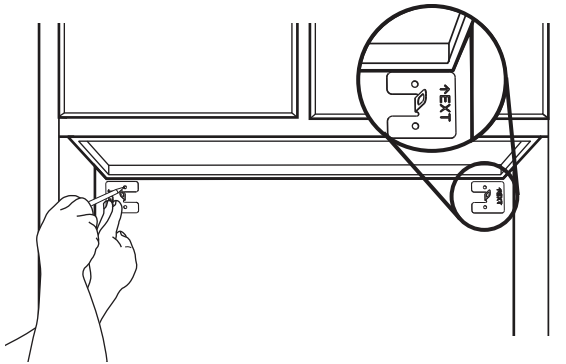


A. Passage de l'alimentation électrique

2. Aligner le bord extérieur des brides de montage avec les bords extérieurs du placard supérieur.

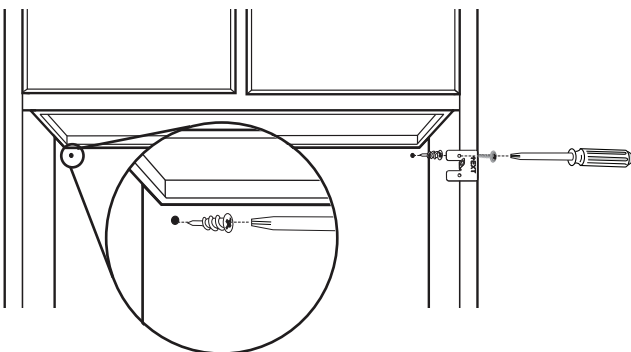
IMPORTANT : Les brides de montage doivent être en contact avec le placard supérieur.

Marquer les trous supérieurs des brides avec un crayon.

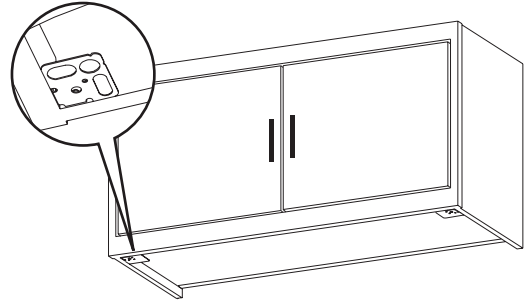


3. À l'aide d'un tournevis Phillips n° 2, installer les chevilles d'ancrage. À l'aide des vis à tête plate n° 8-18 x 1" (4,2 x 25 mm) Phillips n° 2, installer les brides de montage en utilisant les trous supérieurs.

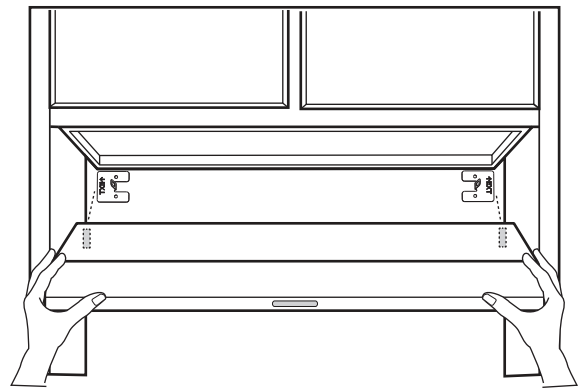
REMARQUE : Pour les installations sur une surface autre qu'un panneau de gypse, il est recommandé de faire appel à du personnel qualifié pour déterminer la méthode d'ancrage.



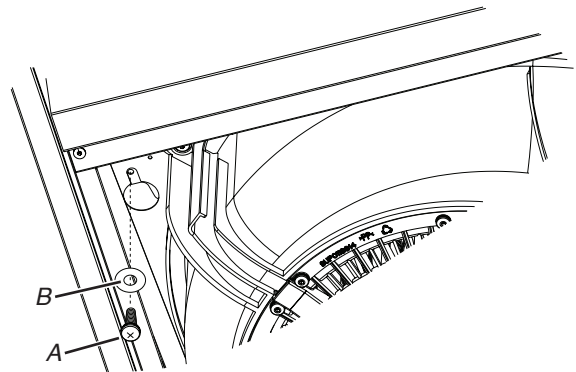
4. À l'aide d'une vis de 4,5 x 13 mm, fixer deux supports sur la partie intérieure avant ou sur le côté du cabinet, en affleurement avec le bas du cabinet.



5. Suspendre la hotte en positionnant les encoches arrière sur les brides de montage.



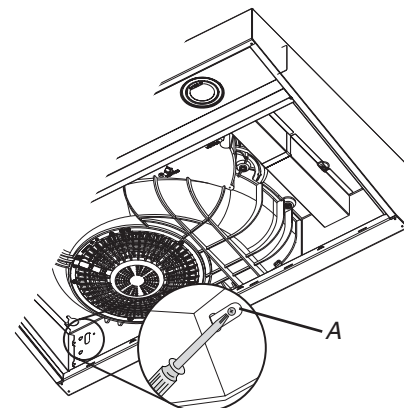
6. Fixer les supports à l'avant du cabinet à l'aide d'une vis et d'une rondelle de 4,5 x 13 mm.



A. Vis no 8-18 x 5/8" (4,2 mm x 16 mm)

B. Rondelle

7. (Optionnel) insérer une vis no 8-18 x 5/8" (4,2 x 16 mm) dans la patte de montage (A) de chaque côté de la hotte comme illustré.



A. Vis no 8-18 x 5/8" (4,2 mm x 16 mm)

Raccordement du conduit d'évacuation

Raccorder le circuit d'évacuation à la hotte. Assurer l'étanchéité des jointures avec des brides de conduit ou du ruban adhésif pour conduit. Vérifier que les clapets anti-reflux fonctionnent correctement.

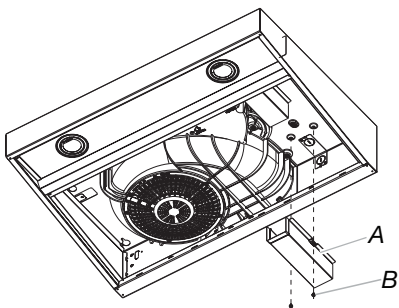
Installation du câble d'alimentation

1. Pour les installations à raccordement direct, acheminer le câble d'alimentation du domicile selon les prescriptions du Code national de l'électricité ou des normes CSA et des codes et règlements locaux. La longueur du câblage depuis le tableau de distribution (avec fusibles ou disjoncteurs) doit être suffisante pour réaliser facilement le raccordement dans le boîtier de connexion de la hotte.

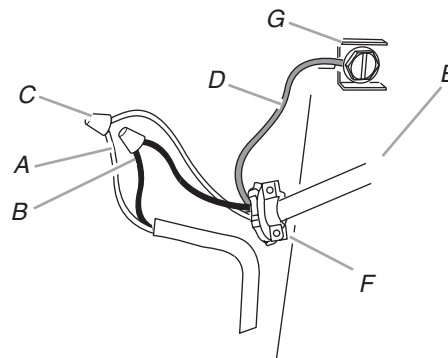
Pour les ensembles de cordon d'alimentation facultatif (voir la section "Accessoires"), suivre les instructions de la section "Raccordement électrique".

REMARQUE :

- Utiliser uniquement avec des nécessaires de raccordement du cordon d'alimentation de la hotte de cuisinière dont l'utilisation a été testée et déclarée adéquate pour ce modèle de hotte de cuisinière.
 - Ne pas réalimenter avant d'avoir terminé l'installation.
2. Ôter la vis du couvercle du boîtier de connexion. Retirer le couvercle du boîtier de connexion et le mettre de côté.



A. Couvercle de la boîte de connexion
B. Vis



A. Conducteurs blancs
B. Conducteurs noirs
C. Connecteur de fils homologué UL
D. Fil de terre vert (ou nu)
E. Câble d'alimentation du domicile ou cordon d'alimentation
F. Serre-câbles 1/2" homologation UL ou CSA
G. Vis de liaison à la terre

2. Connecter ensemble les conducteurs blancs (A) à l'aide de connecteurs de fils homologués UL.
3. Connecter ensemble les conducteurs noirs (B) à l'aide de connecteurs de fils homologués UL.

⚠ AVERTISSEMENT



Risque d'incendie

Relier le ventilateur à la terre.

Utiliser du fil en cuivre.

Brancher le fil relié à la terre à la vis verte reliée à la terre dans la boîte de la borne.

Le non-respect de ces instructions peut causer un décès, un incendie ou un choc électrique.

4. Connecter le conducteur de liaison à la terre vert (ou nu) du câble d'alimentation du domicile à la vis verte de liaison à la terre dans la boîte de connexion et bien serrer.
5. Installer le couvercle du boîtier de connexion.
6. Rétablir l'alimentation électrique.

Raccordement électrique

Option 1 — Installations avec raccordement par câblage direct

⚠ AVERTISSEMENT



Risque de choc électrique

Déconnecter la source de courant électrique avant l'entretien.

Replacer pièces et panneaux avant de faire la remise en marche.

Le non-respect de ces instructions peut causer un décès ou un choc électrique.

1. Déconnecter la source de courant électrique.

Option 2 — Installations avec l'ensemble du cordon d'alimentation

Pour les installations avec l'ensemble du cordon d'alimentation facultatif, suivre les instructions fournies avec l'ensemble du cordon d'alimentation. Consulter la section "Accessoires" pour connaître le processus de commande.

REMARQUE : Utiliser uniquement avec des nécessaires de raccordement du cordon d'alimentation de la hotte de cuisinière dont l'utilisation a été testée et déclarée adéquate pour ce modèle de hotte de cuisinière.

Terminer l'installation

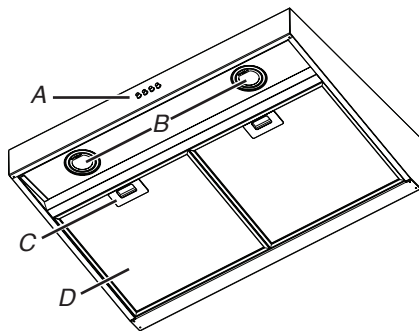
1. Réinstaller le filtre à graisse s'il a été retiré. Voir la section "Entretien de la hotte".
2. Contrôler le fonctionnement du ventilateur et de l'éclairage de la hotte. Voir la section "Utilisation de la hotte".
Si la hotte ne fonctionne pas, déterminer si un disjoncteur s'est ouvert ou si un fusible du domicile est grillé. Déconnecter la source de courant électrique et inspecter les connexions du câblage.

REMARQUE : Pour pouvoir tirer le plus grand parti de la nouvelle hotte de cuisinière, lire la section "Utilisation de la hotte".

UTILISATION DE LA HOTTE

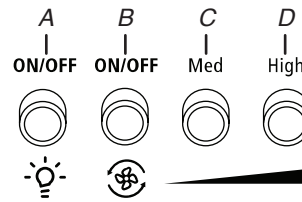
La hotte de cuisinière est conçue pour extraire fumée, vapeurs de cuisson et odeurs de la zone de la table de cuisson. Pour des résultats optimaux, mettre la hotte en marche avant d'entreprendre une cuisson, et la laisser fonctionner pendant plusieurs minutes après une cuisson afin d'évacuer toute odeur de cuisson et fumée de la cuisine.

Les commandes de la hotte sont situées sur le panneau avant de la hotte.



- A. Commandes du ventilateur et de l'éclairage
- B. Lampes à DEL
- C. Retenue du filtre
- D. Filtre à graisse

Commandes de la hotte



- A. Bouton On/Off (marche/arrêt) de l'éclairage
- B. Bouton On/Off (marche/arrêt) du ventilateur et de vitesse minimale
- C. Bouton de vitesse modérée du ventilateur
- D. Bouton de vitesse maximale du ventilateur

Fonctionnement de l'éclairage

Le bouton On/Off (marche/arrêt) de l'éclairage commande le fonctionnement des deux lampes. Appuyer une fois sur le bouton pour allumer la lampe, puis une nouvelle fois pour l'éteindre.

Utilisation du ventilateur

Les boutons du ventilateur allument et éteignent le ventilateur, et contrôlent la vitesse du ventilateur et le niveau sonore pour un fonctionnement silencieux. On peut modifier la vitesse à tout moment pendant le fonctionnement du ventilateur en appuyant sur le bouton correspondant à la vitesse souhaitée.

Appuyer une deuxième fois sur le bouton On/Off (marche/arrêt) du ventilateur pour éteindre le ventilateur.

ENTRETIEN DE LA HOTTE

Nettoyage

IMPORTANT : Nettoyer fréquemment la hotte et les filtres à graisse en suivant les instructions suivantes. Replacer le filtre à graisse avant d'utiliser à nouveau la hotte.

Surfaces extérieures

IMPORTANT : Ne pas utiliser de tampons à récurer savonneux, de nettoyeurs abrasifs, de crème à polir pour table de cuisson, de tampons en laine d'acier, de chiffons de lavage rudes ou d'essuie-tout.

Pour éviter d'endommager les surfaces en acier inoxydable, ne pas utiliser de nettoyeurs contenant du chlore.

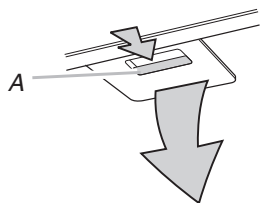
Méthode de nettoyage :

- Frotter dans la direction du grain pour éviter de rayer ou d'endommager la surface.
- Pour les modèles en acier inoxydable, utiliser le nettoyeur et poli pour acier inoxydable — numéro de pièce 31462A (non inclus) :
Voir la section "Assistance ou service" pour commander.
- Détergent liquide ou nettoyeur tout usage :
Rincer à l'eau propre et sécher avec un chiffon doux sans charpie.
- Nettoyeur à vitre pour éliminer les traces de doigts.

Filtre à graisse métallique

Installations avec décharge à l'extérieur :

1. Retirer chaque filtre en tirant sur la poignée à ressort puis en tirant le filtre vers le bas.



A. Poignées à ressort

2. Laver les filtres métalliques selon le besoin au lave-vaisselle ou dans une solution de détergent chaude.
3. Réinstaller le filtre en s'assurant que les poignées à ressort sont orientées vers l'avant. Insérer le filtre d'aluminium dans la rainure supérieure.
4. Enfoncer la poignée à ressort.
5. Pousser le filtre métallique vers le haut et relâcher la poignée pour l'emboîter.
6. Répéter les étapes 1 à 5 pour l'autre filtre.

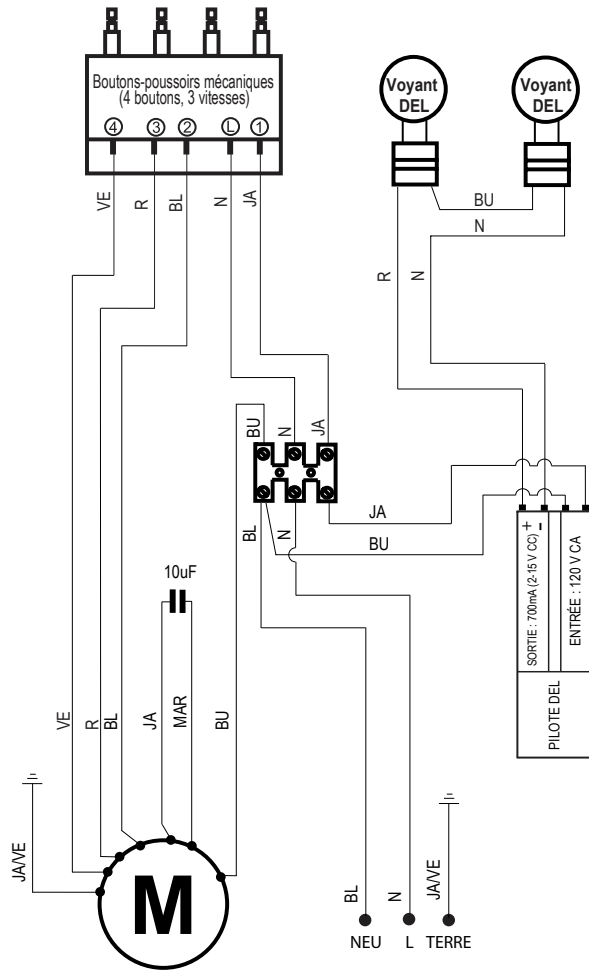
Pour les installations sans ventilation (recyclage) :

Le filtre à charbon n'est pas lavable. Celui-ci devrait à une autonomie de 6 mois dans des conditions d'utilisation normales. Remplacer par un ensemble de filtre à charbon. Consulter la section "Assistance ou service" pour plus de renseignements et pour commander.

Remplacement d'une lampe DEL

Les lampes DEL doivent être remplacées par un technicien de service qualifié uniquement. Voir la section "Garantie" pour obtenir les coordonnées d'entretien.

SCHÉMA DE CÂBLAGE



BOUTON-POUSOIR COMMUTATEUR POUSSOIR	
FONCTION	POSTE
ARRÊT	PAS DE CONNEXION
LAMPES	NOIR/JAUNE (L-1)
VITESSE BASSE	NOIR/BLANC (L-2)
VITESSE MOYENNE	NOIR/ROUGE (L-3)
VITESSE ÉLEVÉE	NOIR/GRIS (L-4)

CARACTÉRISTIQUES DU MOTEUR	
ALIMENTATION ÉLECTRIQUE	120 VAC
FRÉQUENCE	60 HZ
ABSORPTION DE PUISSANCE	180W
RÉSISTANCE DU MOTEUR (Ω)	
BLEU/GRIS	31
BLEU/ROUGE	44
BLEU/BLANC	54.5

SEL0120629

ASSISTANCE OU SERVICE

Si vous avez besoin de service

Consultez la page de garantie du présent manuel.

Si vous avez besoin de pièces de rechange

Si vous avez besoin de commander des pièces de rechange, nous vous recommandons d'utiliser seulement des pièces spécifiées par l'usine. Les pièces spécifiées par l'usine conviendront et fonctionneront bien, car elles sont fabriquées selon la même précision que celle utilisée pour fabriquer chaque nouvel appareil.

Pour obtenir des pièces de remplacement spécifiées par l'usine dans votre région, composer le numéro de téléphone d'aide à la clientèle suivant ou appeler le centre de service désigné le plus proche.

Aux É.-U.

Téléphoner sans frais au Centre pour l'eXpérience de la clientèle de Whirlpool au : **1-800-253-1301** ou visitez notre site Web **www.whirlpool.com**.

Nos consultants peuvent vous aider sur les points suivants :

- Programmation d'une intervention de dépannage. Les techniciens de service désignés par Whirlpool sont formés pour remplir la garantie des produits et fournir un service après garantie partout aux États-Unis.
- Caractéristiques et spécifications de notre gamme complète d'appareils ménagers.
- Références aux revendeurs locaux.
- Renseignements sur l'installation.
- Procédures d'utilisation et d'entretien.
- Vente d'accessoires et de pièces de rechange.
- Assistance spécialisée au client (langue espagnole, malentendants, malvoyants, etc.).

Pour de l'aide supplémentaire

Si vous avez besoin de plus d'assistance, vous pouvez écrire à Whirlpool Corporation en soumettant toute question ou tout problème à :

Whirlpool Brand Home Appliances
Centre pour l'eXpérience de la clientèle
553 Benson Road
Benton Harbor, MI 49022-2692

N'oubliez pas d'indiquer dans votre correspondance un numéro de téléphone où l'on peut vous joindre dans la journée.

Au Canada

Téléphoner sans frais au Centre pour l'eXpérience de la clientèle canadienne de Whirlpool au : **1-800-807-6777** ou visitez notre site Web **www.whirlpool.ca**.

Nos consultants peuvent vous aider sur les points suivants :

- Programmation d'une intervention de dépannage. Les techniciens de service désignés de Whirlpool sont formés pour remplir la garantie des produits et fournir un service après la garantie, partout au Canada.
- Caractéristiques et spécifications de notre gamme complète d'appareils ménagers.
- Références aux revendeurs Whirlpool locaux.
- Procédures d'utilisation et d'entretien.
- Vente d'accessoires et de pièces de rechange.
- Orientation vers des concessionnaires, distributeurs de pièces de rechange et services de réparation locaux. Les techniciens de service désignés par Whirlpool Canada LP sont formés pour remplir la garantie des produits et fournir un service après la garantie, partout au Canada.

Pour de l'aide supplémentaire

Si vous avez besoin de plus d'assistance, vous pouvez écrire à Whirlpool Canada LP en soumettant toute question ou tout problème à :

Whirlpool Brand Home Appliances
Centre d'eXpérience pour la clientèle
Whirlpool Canada LP
200 - 6750 Century Ave.
Mississauga, Ontario L5N 0B7

N'oubliez pas d'indiquer dans votre correspondance un numéro de téléphone où l'on peut vous joindre dans la journée.

Accessoires

Nettoyant et poli pour acier inoxydable

Commander le numéro de pièce 31462A

Ensemble de filtre à charbon

Commander le numéro de pièce W10905733

Ensemble du cordon d'alimentation

Commander le numéro de pièce W10613691

Clapet anti-reflux de 7" (17,8 cm)

Commander le numéro de pièce W10355451

Plaque de montage du clapet anti-reflux de conduit circulaire de 7"

Commander le numéro de pièce W10388168

GARANTIE LIMITÉE DES GROS APPAREILS MÉNAGERS WHIRLPOOL®

ATTACHEZ ICI VOTRE REÇU DE VENTE. UNE PREUVE D'ACHAT EST OBLIGATOIRE POUR OBTENIR L'APPLICATION DE LA GARANTIE.

Lorsque vous appelez le centre d'expérience de la clientèle, veuillez garder à disposition les renseignements suivants :

- Nom, adresse et numéro de téléphone
- Numéros de modèle et de série
- Une description claire et détaillée du problème rencontré
- Une preuve d'achat incluant le nom et l'adresse du marchand ou du détaillant

SI VOUS AVEZ BESOIN DE SERVICE :

1. Avant de nous contacter pour obtenir un dépannage, veuillez déterminer si des réparations sont nécessaires pour votre produit. Certains problèmes peuvent être résolus sans intervention de dépannage. Prenez quelques minutes pour parcourir la section Dépannage ou Résolution de problèmes du guide d'utilisation et d'entretien, scannez le code QR ci-contre avec votre téléphone intelligent pour accéder à des ressources supplémentaires, ou rendez-vous sur le site <http://www.whirlpool.ca>.
2. **Tout service sous garantie doit être effectué exclusivement par nos fournisseurs de dépannage autorisés Whirlpool.** Aux É.-U. et au Canada, dirigez toutes vos demandes de service sous garantie au

Centre d'expérience de la clientèle Whirlpool

Aux É.-U., composer le 1-800-253-1301. Au Canada, composer le 1-800-807-6777.

Si vous résidez à l'extérieur du Canada et des 50 États des États-Unis, contactez votre marchand Whirlpool autorisé pour déterminer si une autre garantie s'applique.



<http://www.whirlpool.ca>

GARANTIE LIMITÉE DE UN AN

CE QUI EST COUVERT

Pendant un an à compter de la date d'achat, lorsque ce gros appareil ménager est installé, utilisé et entretenu conformément aux instructions jointes à ou fournies avec le produit, Whirlpool Corporation ou Whirlpool Canada, LP (ci-après désignées "Whirlpool") décidera à sa seule discrétion de remplacer le produit ou de couvrir le coût des pièces spécifiées par l'usine et de la main-d'œuvre nécessaires pour corriger les vices de matériaux ou de fabrication qui existaient déjà lorsque ce gros appareil ménager a été acheté. S'il est remplacé, l'appareil sera couvert pour la période restant à courir de la garantie limitée d'un an du produit d'origine.

LE SEUL ET EXCLUSIF RECOURS DU CLIENT DANS LE CADRE DE LA PRÉSENTE GARANTIE LIMITÉE CONSISTE EN LA RÉPARATION PRÉVUE PAR LA PRÉSENTE. Le service doit être fourni par une compagnie de service désignée par Whirlpool. Cette garantie limitée est valide uniquement aux États-Unis ou au Canada et s'applique exclusivement lorsque le gros appareil ménager est utilisé dans le pays où il a été acheté. La présente garantie limitée est valable à compter de la date d'achat initial par le consommateur. Une preuve de la date d'achat initial est exigée pour obtenir un dépannage dans le cadre de la présente garantie limitée.

CE QUI N'EST PAS COUVERT

1. Usage commercial, non résidentiel ou par plusieurs familles, ou non-respect des instructions de l'utilisateur, de l'opérateur ou des instructions d'installation.
2. Visite d'instruction à domicile pour montrer à l'utilisateur comment utiliser l'appareil.
3. Visites de service pour rectifier une installation ou un entretien fautifs du produit, une installation non conforme aux codes d'électricité ou de plomberie, ou la rectification de l'installation électrique ou de la plomberie du domicile (ex : câblage électrique, fusibles ou tuyaux d'arrivée d'eau du domicile).
4. Pièces consommables (ex : ampoules, batteries, filtres à air ou à eau, solutions de conservation, etc.).
5. Défauts ou dommage résultant de l'utilisation de pièces ou accessoires Whirlpool non authentiques.
6. Conversion de votre produit du gaz naturel ou du gaz de pétrole liquéfié.
7. Dommages causés par : accident, mésusage, abus, incendie, inondations, catastrophe naturelle ou l'utilisation de produits non approuvés par Whirlpool.
8. Réparations aux pièces ou systèmes dans le but de rectifier un dommage ou des défauts résultant d'une réparation, altération ou modification non autorisée faite à l'appareil.
9. Défauts d'apparence, notamment les éraflures, traces de choc, fissures ou tout autre dommage subi par le fini de l'appareil ménager, à moins que ces dommages ne résultent de vices de matériaux ou de fabrication et ne soient signalés à Whirlpool dans les 30 jours suivant la date d'achat.
10. Décoloration, rouille ou oxydation des surfaces résultant d'environnements caustiques ou corrosifs incluant des concentrations élevées de sel, un haut degré d'humidité ou une exposition à des produits chimiques (exemples non exhaustifs).
11. Perte d'aliments ou de médicaments due à la défaillance du produit.
12. Enlèvement ou livraison. Ce produit est conçu pour être réparé à l'intérieur du domicile.
13. Frais de déplacement et de transport pour le dépannage/la réparation dans une région éloignée où une compagnie de service Whirlpool autorisée n'est pas disponible.
14. Retrait ou réinstallation d'appareils inaccessibles ou de dispositifs préinstallés (ex : garnitures, panneaux décoratifs, plancher, meubles, îlots de cuisine, plans de travail, panneaux de gypse, etc.) qui entravent le dépannage, le retrait ou le remplacement du produit.
15. Service et pièces pour des appareils dont les numéros de série et de modèle originaux ont été enlevés, modifiés ou ne peuvent pas être facilement identifiés.

Le coût d'une réparation ou d'un remplacement dans le cadre de ces circonstances exclues est à la charge du client.

CLAUSE D'EXONÉRATION DE RESPONSABILITÉ AU TITRE DES GARANTIES IMPLICITES

LES GARANTIES IMPLICITES, Y COMPRIS LES GARANTIES APPLICABLES DE QUALITÉ MARCHANDE OU D'APTITUDE À UN USAGE PARTICULIER, SONT LIMITÉES À UN AN OU À LA PLUS COURTE PÉRIODE AUTORISÉE PAR LA LOI. Certains États et provinces ne permettent pas de limitation sur la durée des garanties implicites de qualité marchande ou d'aptitude à un usage particulier, de sorte que la limitation ci-dessus peut ne pas être applicable dans votre cas. Cette garantie vous confère des droits juridiques spécifiques et vous pouvez également jouir d'autres droits qui peuvent varier d'une juridiction à l'autre.

EXONÉRATION DE RESPONSABILITÉ DANS LES DOMAINES NON COUVERTS PAR LA GARANTIE

Whirlpool décline toute responsabilité au titre de la qualité, de la durabilité ou en cas de dépannage ou de réparation nécessaire sur ce gros appareil ménager autre que les responsabilités énoncées dans la présente garantie. Si vous souhaitez une garantie plus étendue ou plus complète que la garantie limitée fournie avec ce gros appareil ménager, adressez-vous à Whirlpool ou à votre détaillant pour obtenir les modalités d'achat d'une garantie étendue.

LIMITATION DES RECOURS; EXCLUSION DES DOMMAGES FORTUITS OU INDIRECTS

LE SEUL ET EXCLUSIF RECOURS DU CLIENT DANS LE CADRE DE LA PRÉSENTE GARANTIE LIMITÉE CONSISTE EN LA RÉPARATION PRÉVUE PAR LA PRÉSENTE. WHIRLPOOL N'ASSUME AUCUNE RESPONSABILITÉ POUR LES DOMMAGES FORTUITS OU INDIRECTS. Certains États et certaines provinces ne permettent pas l'exclusion ou la limitation des dommages fortuits ou indirects de sorte que ces limitations et exclusions peuvent ne pas être applicables dans votre cas. Cette garantie vous confère des droits juridiques spécifiques et vous pouvez également jouir d'autres droits qui peuvent varier d'une juridiction à l'autre.

11/14

