

KitchenAid[®]
FOR THE WAY IT'S MADE.[®]

BOTTOM-MOUNT BUILT-IN REFRIGERATOR

Installation Instructions

IMPORTANT: READ AND SAVE THESE INSTRUCTIONS. INSTALLATION REQUIRES TWO OR MORE PEOPLE.

RÉFRIGÉRATEUR ENCASTRÉ AVEC CONGÉLATEUR EN BAS

Instructions d'installation

IMPORTANT : LIRE ET CONSERVER CES INSTRUCTIONS. L'INSTALLATION NÉCESSITE 2 PERSONNES OU PLUS.

REFRIGERADOR EMPOTRADO DE MONTAJE EN LA PARTE INFERIOR

Instrucciones de instalación

IMPORTANTE: LEA Y GUARDE ESTAS INSTRUCCIONES. SE REQUIEREN DOS O MÁS PERSONAS PARA REALIZAR LA INSTALACIÓN.

Table of Contents/Table des matières/ Índice.....2

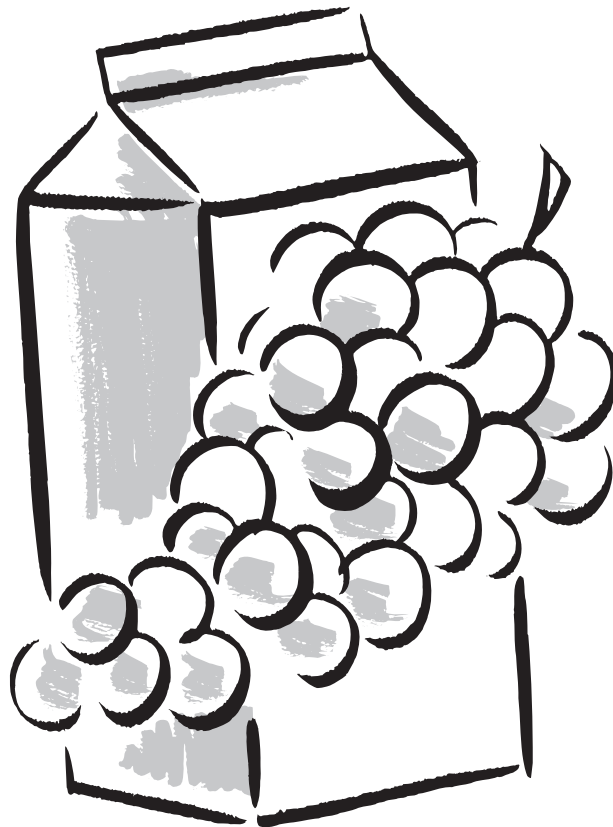


TABLE OF CONTENTS

REFRIGERATOR SAFETY	3	INSTALLATION INSTRUCTIONS	5
INSTALLATION REQUIREMENTS	3	Unpack the Refrigerator.....	5
Tools and Parts.....	3	Plug in Refrigerator	5
Location Requirements	4	Move Refrigerator Into Frame.....	6
Electrical Requirements	5	Install Door Panels	6
		Reverse the Doors (optional).....	8
		Complete Installation	8

TABLE DES MATIÈRES

SÉCURITÉ DU RÉFRIGÉRATEUR	9	INSTRUCTIONS D'INSTALLATION	11
EXIGENCES D'INSTALLATION	9	Déballage du réfrigérateur.....	11
Outils et pièces.....	9	Brancher le réfrigérateur	11
Exigences d'emplacement.....	10	Faire entrer le réfrigérateur dans l'encadrement.....	12
Spécifications électriques.....	11	Installation des panneaux de porte.....	12
		Inversion des portes (facultatif).....	14
		Terminer l'installation.....	14

ÍNDICE

SEGURIDAD DEL REFRIGERADOR	15	INSTRUCCIONES DE INSTALACIÓN	17
REQUISITOS DE INSTALACIÓN	15	Desembale el refrigerador.....	17
Herramientas y piezas.....	15	Cómo enchufar el refrigerador.....	17
Requisitos de ubicación.....	16	Coloque el refrigerador dentro del marco.....	18
Requisitos eléctricos.....	17	Cómo instalar los paneles de la puerta	18
		Cómo invertir las puertas (opcional)	20
		Completar la instalación	20

REFRIGERATOR SAFETY

Your safety and the safety of others are very important.

We have provided many important safety messages in this manual and on your appliance. Always read and obey all safety messages.



This is the safety alert symbol.

This symbol alerts you to potential hazards that can kill or hurt you and others.

All safety messages will follow the safety alert symbol and either the word "DANGER" or "WARNING."

These words mean:

⚠ DANGER

You can be killed or seriously injured if you don't immediately follow instructions.

⚠ WARNING

You can be killed or seriously injured if you don't follow instructions.

All safety messages will tell you what the potential hazard is, tell you how to reduce the chance of injury, and tell you what can happen if the instructions are not followed.

⚠ WARNING

Excessive Weight Hazard

Use two or more people to move and install refrigerator.

Failure to do so can result in back or other injury.

INSTALLATION REQUIREMENTS

Tools and Parts

IMPORTANT:

- Installer: Leave Installation Instructions with the homeowner.
- Homeowner: Keep Installation Instructions for future reference. Save these installation instructions for the local electrical inspector's use.
- Do not remove tape and door bracing until the refrigerator is in its final location.
- To avoid hazard due to instability of the refrigerator, it must be fixed in accordance with the instructions.

Tools Needed:

Gather the required tools before starting installation.

- Phillips screwdriver
- Flat-blade (slot) screwdriver

Parts Supplied:

- Cabinet alignment tool
- Door panel alignment tool
- Screw A - 9.5 mm long (8)
- Screw B - 13 mm long (22)
- Screw C - 25 mm long (2)
- Gaskets (2)
- Hinge caps (4)
- Hinge interior covers (4)
- Top screw covers (2)
- Panel mount covers (8)

Location Requirements

⚠ WARNING



Explosion Hazard

Keep flammable materials and vapors, such as gasoline, away from refrigerator.

Failure to do so can result in death, explosion, or fire.

IMPORTANT:

- Observe all governing codes and ordinances.
- It is recommended that you do not install the refrigerator near an oven, radiator, or other heat source.
- Do not install in a location where the temperature will fall below 55°F (13°C).
- Floor must support the refrigerator weight, more than 600 lbs (272 kg), door panels, and contents of the refrigerator.
- Each refrigerator needs to be installed in a separate cabinet frame.

Opening Dimensions

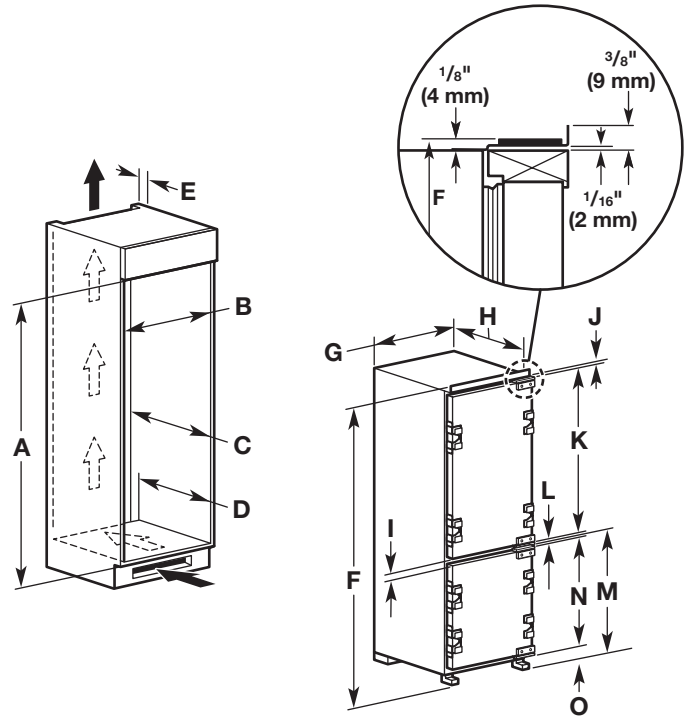
This refrigerator is designed to be installed inside a frame that fits between kitchen cabinets. The inside of the frame should be a minimum of 69¹⁵/₁₆" (177.6 cm) high, 22¹/₁₆" (56.0 cm) wide, and 21⁷/₈" (55.5 cm) deep (front to back).

For proper ventilation, you must allow adequate unobstructed space behind the refrigerator and below and above the frame. Air enters below the refrigerator and exits above it.

- Allow a clearance minimum of 2" (50 mm) at the top of the frame.
- The minimum depth of the base of the frame is 20¹/₂" (520 mm) (front to back).
- The base can be as desired, but height should match height of toe kick of surrounding cabinets. A vent with an opening of at least 31 sq. in. (200 sq. cm) is required for proper ventilation.
- If the space between the top of the frame and the ceiling is open air, allow a minimum of 7⁷/₈" (200 mm) above the refrigerator.
- If the space between the top of the frame and the ceiling is enclosed as part of the surrounding cabinetry, a vent with an opening of at least 31 sq. in. (200 sq. cm) is required.

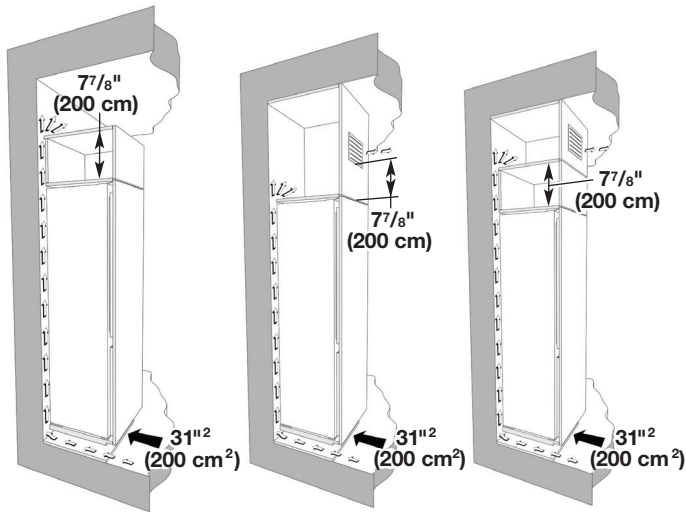
The bottom of the vent must be a minimum of 7⁷/₈" (20.0 cm) above the refrigerator.

NOTE: Vent covers are not supplied with the unit.



Dimension Table

A	69¹⁵/₁₆" (177.6 cm)
B	22¹/₁₆" (56.0 cm)
C	minimum 21⁷/₈" (55.5 cm)
D	minimum 20⁷/₁₆" (520 mm)
E	minimum 2" min. (50 mm)
F	69¹/₁₆" (177.0 cm)
G	21⁹/₃₂" (54.0 cm)
H	21¹⁵/₃₂" (54.5 cm)
I	2³/₈" (60 mm)
J	1/16" (2 mm)
K	20⁵/₈" (105.75 cm)
L	3/16" (10 mm)
M	28" (71 cm)
N	26⁵/₁₆" (66.85 cm)
O	1¹/₈" (30 mm)



Product Dimensions

- The unit is 69¹¹/₁₆" (177.0 cm) high, 21⁹/₃₂" (54.0 cm) wide, and 21⁵/₃₂" (54.5 cm) deep (front-to-back).
- The refrigerator door (including hinges [x2]) is 20⁵/₈" (105.75 cm) high. The freezer door (including hinges [x2]) is 26⁵/₁₆" (66.85 cm) high.
The space between the refrigerator and freezer doors is 2³/₈" (6.0 cm). The space between the door hinges is 13/22" (1.0 cm).
- A grounded 3 prong electrical outlet should be placed within 4" (10.2 cm) of the right side cabinets or end panel. See "Electrical Requirements" for additional information.

Electrical Requirements

⚠ WARNING



Electrical Shock Hazard

- Plug into a grounded 3 prong outlet.
- Do not remove ground prong.
- Do not use an adapter.
- Do not use an extension cord.
- Failure to follow these instructions can result in death, fire, or electrical shock.

Before you move your refrigerator into its final location, it is important to make sure you have the proper electrical connection.

Recommended Grounding Method

A 115 volt, 60 Hz., AC only, 15 or 20 A fused, grounded electrical supply is required. It is recommended that a separate circuit serving only your refrigerator be provided. Use an outlet that cannot be turned off by a switch. Do not use an extension cord.

IMPORTANT: If this product is connected to a GFCI (Ground Fault Circuit Interrupter) protected outlet, nuisance tripping of the power supply may occur, resulting in loss of cooling. Food quality and flavor may be affected. If nuisance tripping has occurred, and if the condition of the food appears poor, dispose of it.

NOTE: Before performing any type of installation or cleaning, disconnect power at the circuit breaker box.

When you are finished, reconnect power at the circuit breaker box. Then reset the control to the desired setting.

INSTALLATION INSTRUCTIONS

Unpack the Refrigerator

⚠ WARNING

Excessive Weight Hazard

Use two or more people to move and install refrigerator.

Failure to do so can result in back or other injury.

IMPORTANT:

- Keep the cardboard shipping piece or plywood under the refrigerator until it is installed in the operating location.
1. Save all literature that is provided inside the refrigerator, and do not remove the package containing literature taped to the outside of the refrigerator.
 2. Remove the four brackets (two on each side) that attach the shipping base to the refrigerator bottom.
- NOTE:** Do not remove tape and door bracing until the refrigerator is in its final location.

Plug in Refrigerator

⚠ WARNING



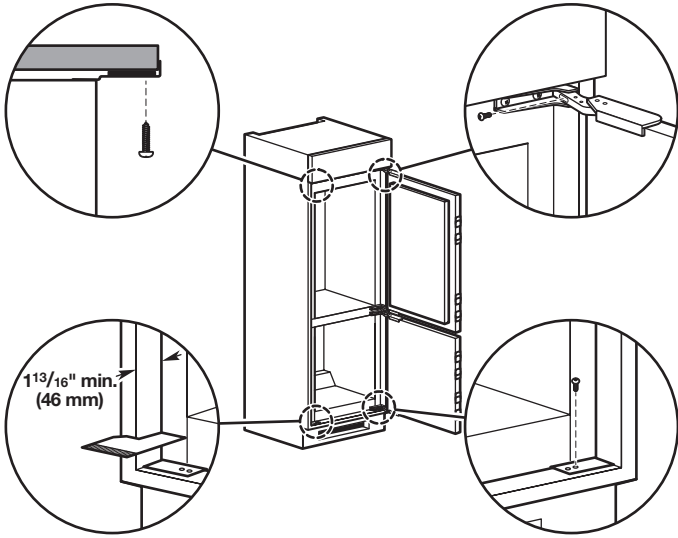
Electrical Shock Hazard

- Plug into a grounded 3 prong outlet.
- Do not remove ground prong.
- Do not use an adapter.
- Do not use an extension cord.
- Failure to follow these instructions can result in death, fire, or electrical shock.

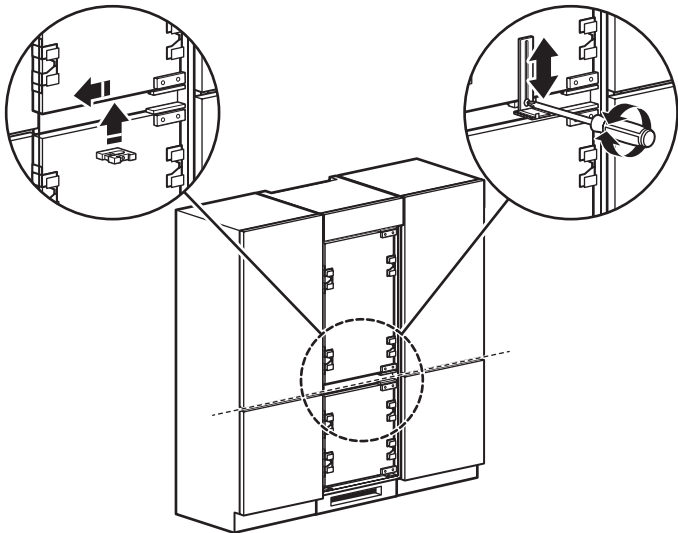
1. Plug into a grounded 3 prong outlet.

Move Refrigerator Into Frame

1. Attach the hinge caps, two on the refrigerator door and two on the freezer door.
2. Place the gasket on the side of the unit opposite the hinges.
3. Move the refrigerator into the frame.
4. Use a Phillips screwdriver and two 13 mm screws (one for each side) to attach the brackets at the top of the unit to the underside of the top of the frame.
5. Use the cabinet alignment tool to make sure that the refrigerator is pushed into the frame to the proper distance $13\frac{13}{16}$ " (46 mm).
6. Use a Phillips screwdriver and two 25 mm screws (one for each side) to attach the brackets at the base of the unit to the floor of the frame.
7. Use a Phillips screwdriver and four 13 mm screws (one for each hinge) to attach the hinges to the side of the frame.



Install Door Panels



Door Panels Requirements (each door)

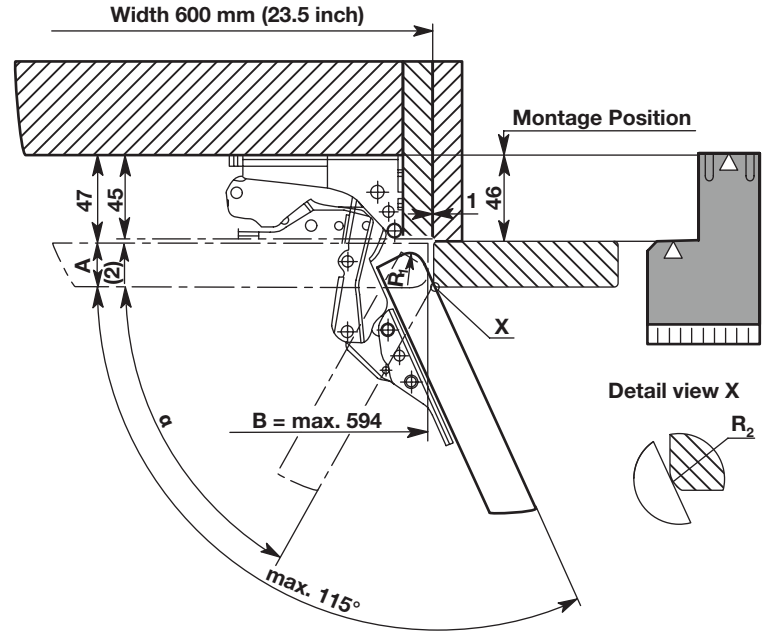
Max Weight: 26.5 lbs (12 Kg)

Minimum Panels Dimensions:

Refrigerator Door Panel: $42\frac{1}{8}$ " (1071.5 mm) x $23\frac{1}{4}$ " (590 mm) x $3/4$ " (20 mm)

Freezer Door Panel: $27\frac{5}{8}$ " (701.5 mm) x $23\frac{1}{4}$ " (590 mm) x $3/4$ " (20 mm).

For maximum dimensions, please review the following diagram.



Cabinet frame wall thickness 16 mm

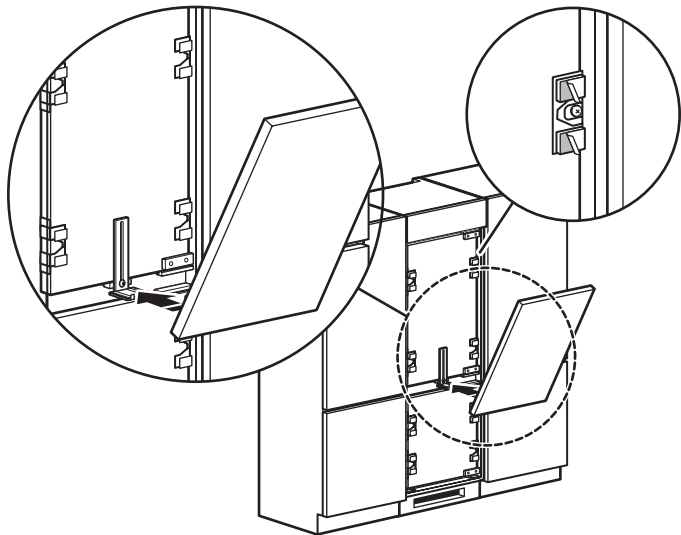
min. R1 [mm]	B [mm]				
	594	593	592	591	590
A [mm]	16	0	0	0	0
	17	0	0	0	0
	18	0	0	0	0
	19	0	0	0	0
	20	0	0	0	0
	21	0.4	0	0	0
	22	2.6	2	1.3	0.7
	23	5	4.4	3.8	3.2
	24	7.5	7	6.5	6

How to read this diagram:

For example if the door panel width dimension "B" is 593 mm and thickness of door panel dimension "A" is 22 mm that means that door panel require radius "R1" min 2 mm.

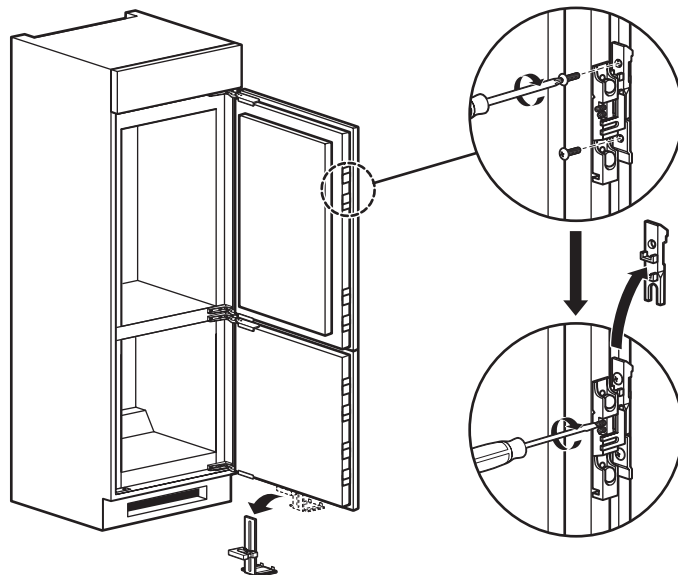
1. Mount the panel alignment tool onto the refrigerator door.
 - Align the smaller piece with the screws on the bottom of the door, and slide it to the left.
 - Assemble the panel alignment tool by inserting the long arm of the main piece into the cutout of the smaller piece, and adjust it so that the base is at the appropriate height, aligned with the base of the surrounding cabinet doors. Use a screwdriver to tighten the panel alignment tool's 9.5 mm screw and hold it in place.

2. Attach the refrigerator door panel.



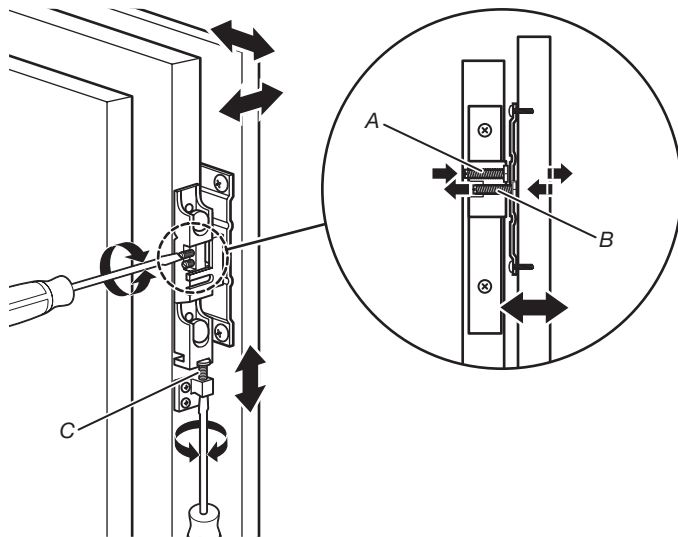
- Peel the protective paper covers off of the adhesive pads on each refrigerator door panel mount. There are two adhesive pads on each of the four panel mounts.
 - At an angle, rest the base of the refrigerator door panel on the panel alignment tool.
 - Slowly tilt the panel to attach it to the adhesive pads on the panel mounts. Firmly press against the corners of the door to ensure that the panel is properly attached to the adhesive pads.
3. Loosen the panel alignment tool's screw and remove the tool from the refrigerator door by sliding it to the right and off of the door.
 4. Mount the panel alignment tool onto the freezer door. Repeat step 1 in refrigerator.
 5. Attach the freezer door. Repeat step 2 in refrigerator.
 6. Loosen the panel alignment tool's screw, and remove the tool from the freezer door by sliding it to the right and off of the door.

7. Open both doors and fasten the panel mounts to the door panels. All eight panel mounts (four on each door) should be fastened in the same manner:



- Use a Phillips screwdriver and two 13 mm screws (one at the top of the mount and one at the bottom of the mount) to fasten the mount to the door panel.
- Locate the two slotted headless screws, and use a flat-blade screwdriver to turn the bottom headless screw clockwise. This loosens the panel mount brace, which is between the panel mount and the door panel. Remove and discard the panel mount brace.

8. Finalize the placement of the door panels by using the alignment screws on the panel mounts.

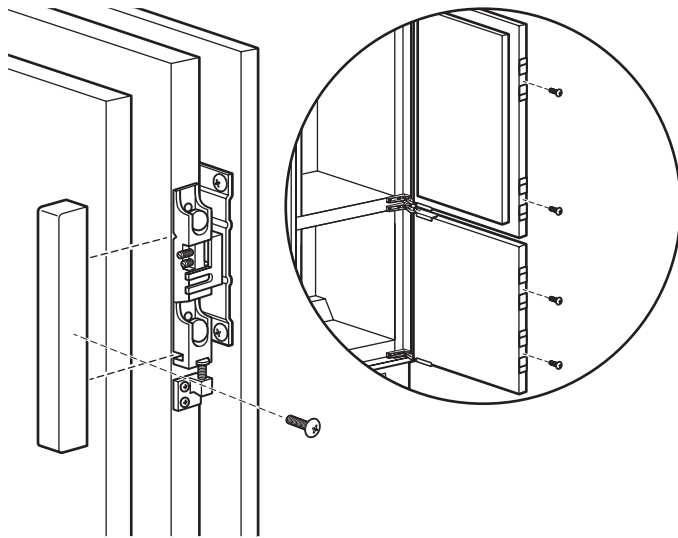


NOTE: Make sure that the door panels do not come into direct contact with any of the surrounding cabinets or cabinet doors. Such contact could prevent the refrigerator and/or freezer door(s) from closing properly.

- The top-slotted headless screw (A in the illustration) adjusts the spacing between the door and the door panel. Use a flat-blade screwdriver to make adjustments. Turn the screw clockwise to increase the space between the door and door panel and counterclockwise to decrease the space.

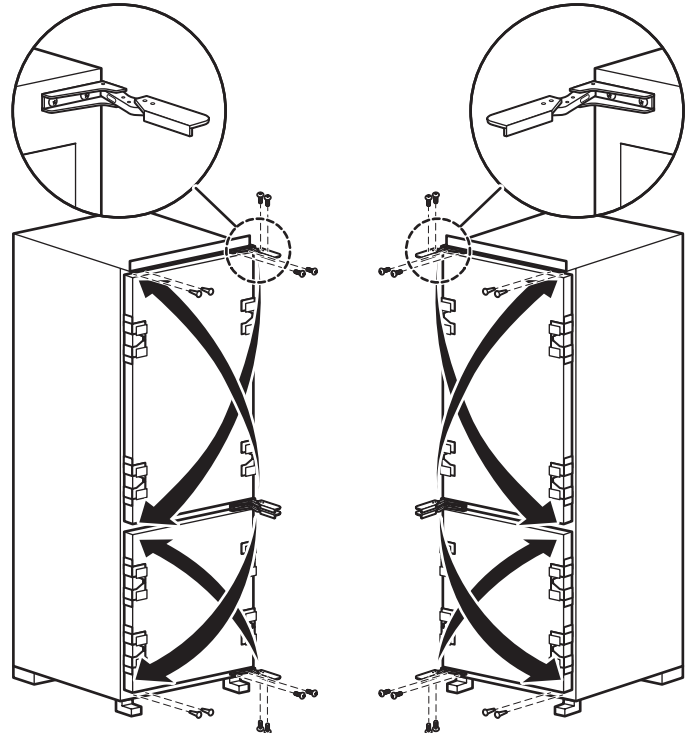
NOTE: When the doors are closed, there should be a minimum of 1 mm of space between the rear face of the door panels and the front face of the frame. Use the top-slotted headless screw to add more space if necessary.

- The bottom-slotted headless screw (B in the illustration) adjusts the horizontal (left-to-right) alignment of the door panel. Use a flat-blade screwdriver to turn the screw clockwise and loosen it. Slide the panel to the left or right as desired, and then tighten the screw by turning it counterclockwise.
 - **NOTE:** Do not slide the panel more than 2.5 mm in either direction. If you slide the panel too far, the panel mount may not properly fasten to the door panel.
 - The screw (C in the illustration) at the bottom of the panel mount adjusts the vertical (top-to-bottom) alignment of the door panel. Use a flat-blade screwdriver to make adjustments. Turn the screw clockwise to raise the door panel and counterclockwise to lower the door panel.
 - **NOTE:** To raise or lower the door panel, you may need to first loosen the slotted headless screws. If you do, make sure to re-tighten them after making the desired vertical adjustment.
9. Fix each panel mount into place, and then install the panel mount covers and hinge end caps.



- Use a Phillips screwdriver and a 9.5 mm screw to fix each of the panel mounts into place (four on each door).
 - Snap a panel mount cover onto each panel mount located on the side of the door opposite the hinges, and then snap a hinge end cap onto each hinge.
10. Install the two top screw covers and the four hinge interior covers. Each snaps into place.

Reverse the Doors (optional)



1. Use a Phillips screwdriver to remove the four screws on the top hinge of the refrigerator door. Repeat for the four screws on the bottom hinge of the refrigerator door.
2. If present, remove the hole plugs from the opposite side of the refrigerator door.
3. Use the four screws to install the top hinge on the opposite (bottom) side of the refrigerator door. Repeat for the bottom hinge.
4. Insert the hole plugs where the hinge screws were located prior to the door reversal.
5. Repeat the process to reverse the freezer door.

Complete Installation

1. Remove all boxes, parts packages, and packing materials from the interior of the refrigerator. See the "Cleaning" section in the Use and Care Guide for instructions on cleaning, or unpacking.
2. Install the shelves and bins in the refrigerator and freezer compartments.
3. The controls are preset at the factory to the midpoint setting. Make sure the compressor is operating properly and that all the lights are working.

To get the most efficient use from your new built-in refrigerator, read the Use and Care Guide. Keep Installation Instructions and the Use and Care Guide near the built-in refrigerator for easy reference.

SÉCURITÉ DU RÉFRIGÉRATEUR

Votre sécurité et celle des autres est très importante.

Nous donnons de nombreux messages de sécurité importants dans ce manuel et sur votre appareil ménager. Assurez-vous de toujours lire tous les messages de sécurité et de vous y conformer.



Voici le symbole d'alerte de sécurité.

Ce symbole d'alerte de sécurité vous signale les dangers potentiels de décès et de blessures graves à vous et à d'autres.

Tous les messages de sécurité suivront le symbole d'alerte de sécurité et le mot "DANGER" ou "AVERTISSEMENT". Ces mots signifient :

⚠ DANGER

Risque possible de décès ou de blessure grave si vous ne suivez pas immédiatement les instructions.

⚠ AVERTISSEMENT

Risque possible de décès ou de blessure grave si vous ne suivez pas les instructions.

Tous les messages de sécurité vous diront quel est le danger potentiel et vous disent comment réduire le risque de blessure et ce qui peut se produire en cas de non-respect des instructions.

⚠ AVERTISSEMENT

Risque du poids excessif

Utiliser deux ou plus de personnes pour déplacer et installer le réfrigérateur.

Le non-respect de cette instruction peut causer une blessure au dos ou d'autre blessure.

EXIGENCES D'INSTALLATION

Outils et pièces

IMPORTANT :

- Installateur : Remettre les instructions d'installation au propriétaire.
- Propriétaire : Conserver les instructions d'installation pour référence ultérieure. Conserver ces instructions d'installation pour consultation par l'inspecteur local des installations électriques.
- Ne pas enlever les rubans adhésifs et articles d'arrimage des portes avant que le réfrigérateur ne soit placé à son emplacement d'installation final.
- Pour éviter un danger provoqué par l'instabilité du réfrigérateur, ce dernier doit être fixé selon les instructions.

Outils nécessaires :

Rassembler les outils nécessaires avant de commencer l'installation.

- Tournevis cruciforme
- Tournevis à lame plate

Pièces fournies :

- Outil d'alignement de l'armoire
- Outil d'alignement du panneau de porte
- Vis A – 9,5 mm (8)
- Vis B – 13 mm (22)
- Vis C – 25 mm (2)
- Joints d'étanchéité (2)
- Cache-charnière (4)
- Cache-charnière intérieurs (4)
- Cache-vis supérieurs (2)
- Cache-support de panneau (8)

Exigences d'emplacement

AVERTISSEMENT



Risque d'explosion

Garder les matériaux et les vapeurs inflammables, telle que l'essence, loin du réfrigérateur.

Le non-respect de cette instruction peut causer un décès, une explosion ou un incendie.

IMPORTANT :

- Observer les dispositions de tous les codes et règlements en vigueur.
- Il est conseillé de ne pas installer le réfrigérateur près d'un four, d'un radiateur ou de toute autre source de chaleur.
- Ne pas installer l'appareil dans un endroit où la température pourrait descendre sous 55 °F (13 °C).
- Le plancher doit pouvoir supporter le poids du réfrigérateur, soit plus de 272 kg (600 lb) incluant les panneaux de porte et le contenu du réfrigérateur.
- Chaque réfrigérateur doit être installé dans un cadre d'armoire différent.

Dimensions de l'ouverture

Ce réfrigérateur est conçu pour être installé à l'intérieur d'un encadrement qui se situe entre les armoires de cuisine. L'intérieur de l'encadrement doit avoir un minimum de 69 15/16 po (177,6 cm) de haut, 22 1/16 po (56,0 cm) de large et 21 7/8 po (55,5 cm) de profondeur (avant-arrière).

Pour une aération adéquate, assurer un espace libre à l'arrière du réfrigérateur, ainsi qu'au-dessous et au-dessus de l'encadrement. L'air pénètre en dessous du réfrigérateur et quitte par dessus le réfrigérateur.

- Laisser un espace minimum de 2 po (50 mm) au-dessus de l'encadrement.
- La profondeur minimale de la base de l'encadrement est de 20 1/2 po (520 mm) (avant et arrière).
- La base peut être conçue comme l'on désire, mais doit correspondre à la hauteur des plinthes d'armoire environnantes. Un évent avec une ouverture d'au moins 31 po² (200 cm²) est requis pour une aération adéquate.
- Si l'espace entre le haut de l'encadrement et le plafond est vide, prévoir un minimum de 7 7/8 po (200 mm) au-dessus du réfrigérateur.
- Si l'espace entre le haut de l'encadrement et le plafond est enfermé comme faisant partie des armoires environnantes, un évent avec une ouverture d'au moins 31 po² (200 cm²) est requis.

La partie inférieure de l'évent doit être d'un minimum de 7 7/8 po (20,0 cm) au-dessus du réfrigérateur.

REMARQUE : Les couvertures d'évent ne sont pas fournies avec l'appareil.

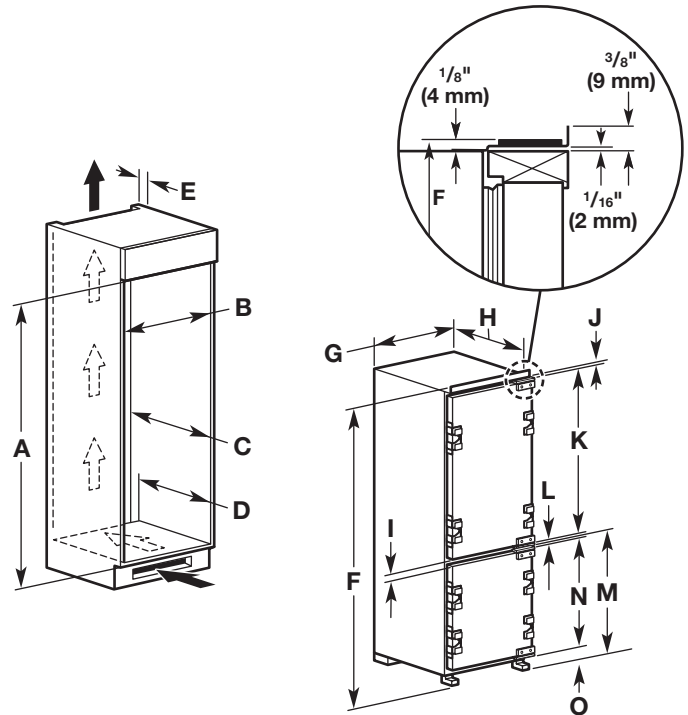
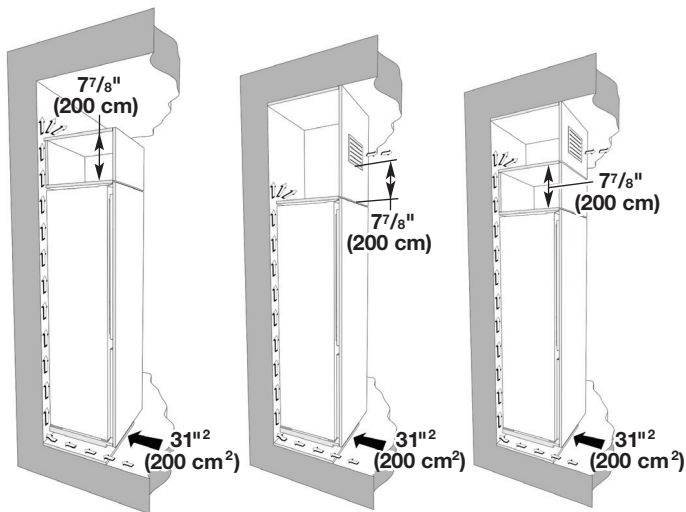


Tableau de dimensions

A	69 15/16 po (177,6 cm)
B	22 1/16 po (56,0 cm)
C	minimum 21 7/8 po (555 mm)
D	minimum 20 7/16 po (520 mm)
E	minimum 2 po (50 mm)
F	69 11/16 po (177,0 cm)
G	21 9/32 po (54,0 cm)
H	21 15/32 po (54,5 cm)
I	2 3/8 po (60 mm)
J	1/16 po (2 mm)
K	20 5/8 po (105,75 cm)
L	3/16 po (10 mm)
M	28 po (71 cm)
N	26 5/16 po (66,85 cm)
O	1 1/8 po (30 mm)



Dimensions du produit

- L'appareil fait 69 ¹¹/₁₆ po (177,0 cm) de haut, 21 ⁹/₃₂ po (54,0 cm) de large et 21 ¹⁵/₃₂ po (54,5 cm) de profondeur (avant-arrière).
- La porte du réfrigérateur (y compris les charnières (x2) fait 20 ⁵/₈ po (105,75 cm) de haut. La porte du congélateur (y compris les charnières (x2) fait 26 ⁵/₁₆ po (66,85 cm) de haut. L'espace entre les portes du réfrigérateur et du congélateur est de 2 ³/₈ po (6,0 cm). L'espace entre les charnières de porte est de 13/22 po (1,0 cm).
- Une prise électrique à trois broches avec mise à la terre doit être placée à moins de 4 po (10,2 cm) des meubles de droite ou du panneau d'extrémité de droite. Voir la section « Spécifications électriques » pour plus de renseignements.

Spécifications électriques

⚠ AVERTISSEMENT



Risque de choc électrique

- Brancher sur une prise à 3 alvéoles reliée à la terre.
- Ne pas enlever la broche de liaison à la terre.
- Ne pas utiliser un adaptateur.
- Ne pas utiliser un câble de rallonge.
- Le non-respect de ces instructions peut causer un décès, un incendie ou un choc électrique.

Avant de placer le réfrigérateur à son emplacement final, il est important de s'assurer d'avoir le raccordement électrique approprié.

Méthode recommandée de liaison à la terre

Chaque appareil doit être alimenté par un circuit de 115 V CA à 60 Hz relié à la terre et protégé par un fusible de 15 A ou 20 A. Il est recommandé d'utiliser un circuit distinct pour alimenter le réfrigérateur uniquement. Utiliser une prise de courant dont l'alimentation ne peut pas être interrompue par un interrupteur. Ne pas utiliser de rallonge.

IMPORTANT : Si ce produit est connecté à une prise protégée par un disjoncteur de fuite à la terre, un déclenchement intempestif peut se produire et causer une perte de refroidissement. La qualité et la saveur des aliments risquent d'être affectées. Si un déclenchement intempestif se produit et si les aliments semblent de piètre qualité, jeter le tout.

REMARQUE : Avant d'effectuer tout type d'installation ou de nettoyage, couper l'alimentation au boîtier de disjoncteurs.

Lorsque terminé, rétablir le courant au boîtier de disjoncteurs. Puis placer de nouveau la commande au réglage désiré.

INSTRUCTIONS D'INSTALLATION

Déballage du réfrigérateur

⚠ AVERTISSEMENT

Risque du poids excessif

Utiliser deux ou plus de personnes pour déplacer et installer le réfrigérateur.

Le non-respect de cette instruction peut causer une blessure au dos ou d'autre blessure.

IMPORTANT :

- Garder la pièce de carton ou de contreplaqué d'expédition sous le réfrigérateur jusqu'à son installation à l'emplacement final.
- 1. Conserver les documents qui sont fournis à l'intérieur du réfrigérateur et ne pas enlever le sachet de documentation collé avec du ruban adhésif à l'extérieur du réfrigérateur.
- 2. Enlever les quatre brides (deux de chaque côté) fixant la base utilisée pour l'expédition au bas du réfrigérateur.

REMARQUE : Ne pas enlever les rubans adhésifs et articles d'arrimage des portes avant que le réfrigérateur ne soit placé à son emplacement d'installation final.

Brancher le réfrigérateur

⚠ AVERTISSEMENT



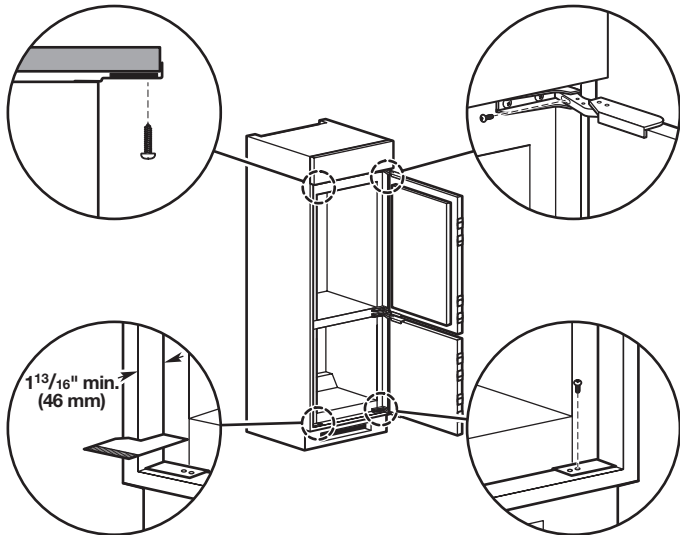
Risque de choc électrique

- Brancher sur une prise à 3 alvéoles reliée à la terre.
- Ne pas enlever la broche de liaison à la terre.
- Ne pas utiliser un adaptateur.
- Ne pas utiliser un câble de rallonge.
- Le non-respect de ces instructions peut causer un décès, un incendie ou un choc électrique.

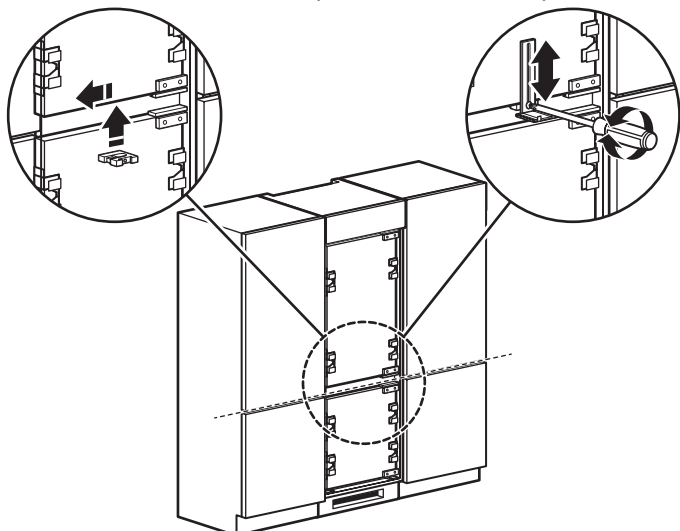
1. Brancher sur une prise de courant à 3 alvéoles.

Faire entrer le réfrigérateur dans l'encadrement

1. Fixer les cache-charnière, deux sur la porte du réfrigérateur et deux sur la porte du congélateur.
2. Placer le joint d'étanchéité sur le côté de l'appareil opposé aux charnières.
3. Faire entrer le réfrigérateur dans l'encadrement.
4. À l'aide d'un tournevis cruciforme et de deux vis de 13 mm (une pour chaque côté), fixer les supports au sommet de l'appareil à la face inférieure de la partie supérieure de l'encadrement.
5. Utiliser l'outil d'alignement de l'armoire pour s'assurer que le réfrigérateur est poussé dans l'encadrement à la bonne distance de 13 ¹³/₁₆ po (46 mm).
6. À l'aide d'un tournevis cruciforme et de deux vis de 25 mm (une pour chaque côté), fixer les supports à la base de l'appareil au sol de l'encadrement.
7. À l'aide d'un tournevis cruciforme et de quatre vis de 13 mm (une pour chaque charnière), fixer les charnières au côté de l'encadrement.



Installation des panneaux de porte



Exigences de panneaux de porte (chaque porte)

Poids maximum : 26,5 lb (12 kg)

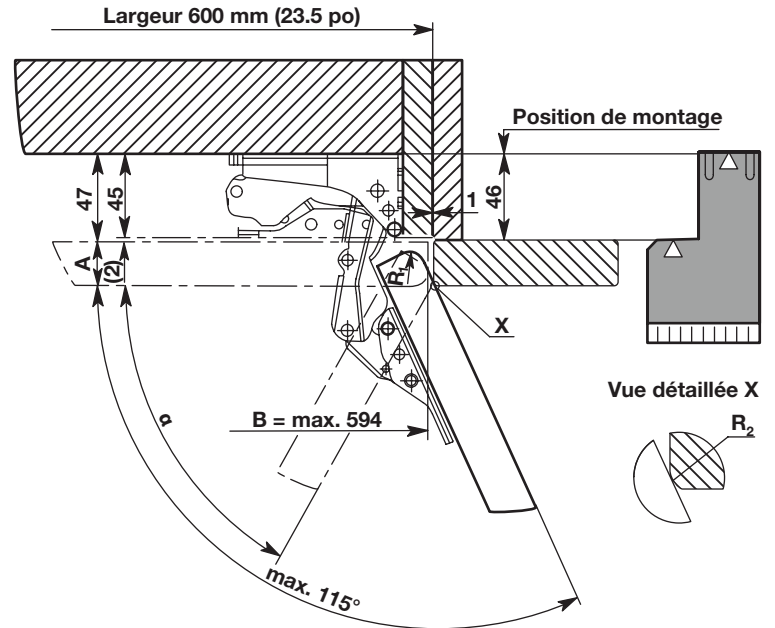
Dimensions minimales des panneaux :

Panneau de porte du réfrigérateur : 42 ¹/₈ po (1071,5 mm) x 23 ¹/₄ po (590 mm)

x 3/4 po (20 mm)

Panneau de porte du congélateur : 27 ⁵/₈ po (701,5 mm) x 23 ¹/₄ po (590 mm) x 3/4 po (20 mm).

Pour les dimensions maximales, veuillez consulter le diagramme suivant.

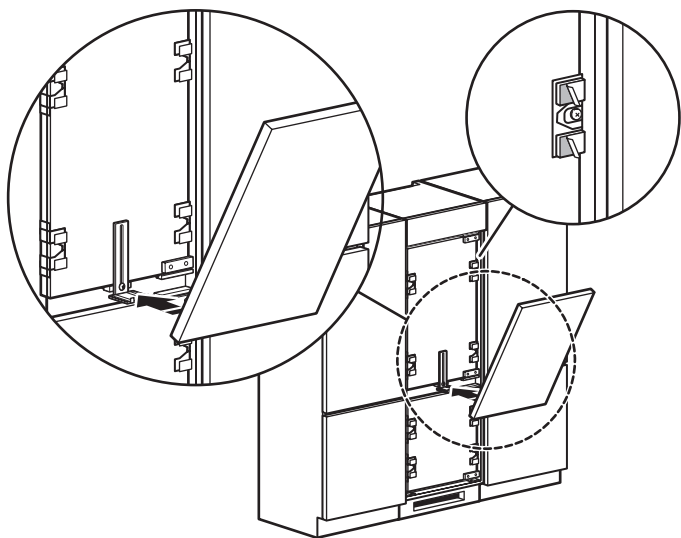


Épaisseur des murs de l'armoire de 16 mm						
min. R1 [mm]	A [mm]	B [mm]				
		594	593	592	591	590
16	16	0	0	0	0	0
	17	0	0	0	0	0
	18	0	0	0	0	0
	19	0	0	0	0	0
	20	0	0	0	0	0
	21	0,4	0	0	0	0
	22	2,6	2	1,3	0,7	0
	23	5	4,4	3,8	3,2	2,6
17	24	7,5	7	6,5	6	5,5

Comment lire ce schéma:

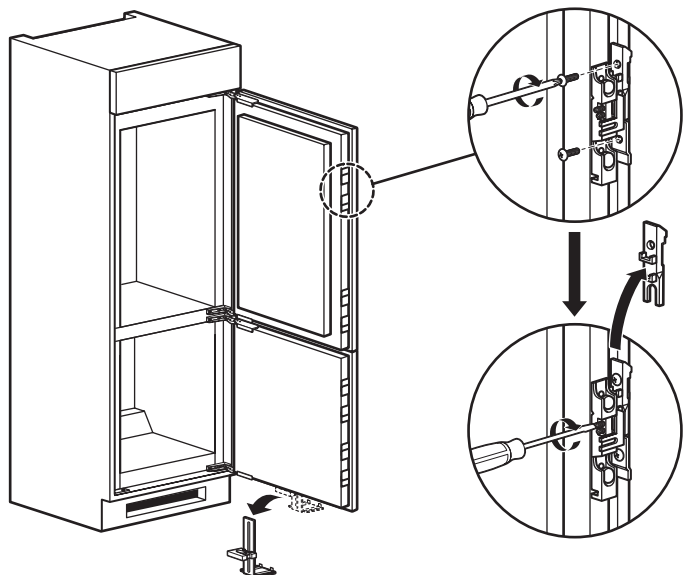
Par exemple, un panneau de porte d'une largeur "B" de 593 mm et d'une épaisseur "A" de 22 mm a besoin d'un rayon "R1" minimum de 2 mm.

1. Monter l'outil d'alignement du panneau sur la porte du réfrigérateur.
 - Aligner la pièce la plus petite à l'aide des vis sur le bas de la porte, et la glisser vers la gauche.
 - Assembler l'outil d'alignement du panneau en insérant le bras long de la pièce principale dans la découpe de la plus petite pièce, et l'ajuster de sorte que la base est à la hauteur appropriée, alignée avec la base des portes d'armoires environnantes. À l'aide d'un tournevis, serrer la vis de 9,5 mm de l'outil d'alignement du panneau pour le maintenir en place.
2. Fixer le panneau de porte du réfrigérateur.

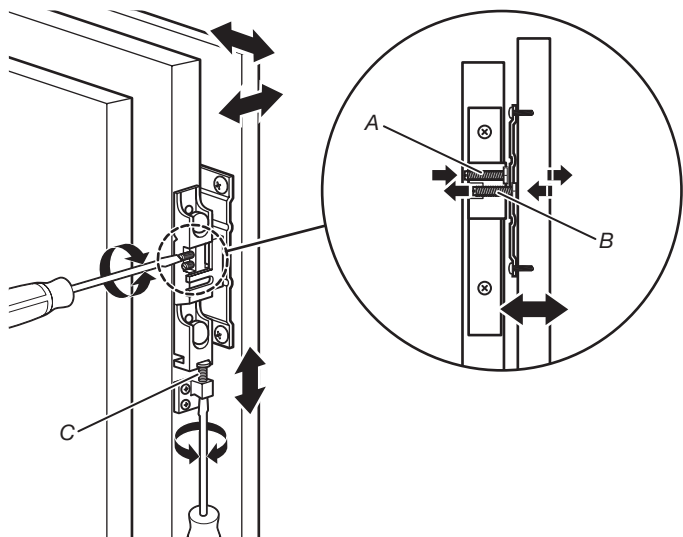


- Retirer les couvertures de papier de protection des coussins adhésifs sur chaque support de panneau de porte du réfrigérateur. Il y a deux coussins adhésifs sur chacun des quatre supports de panneaux.
 - À un angle, reposer la base du panneau de porte du réfrigérateur sur l'outil d'alignement du panneau.
 - Pencher lentement le panneau pour le fixer aux coussins adhésifs sur les supports de panneau. Appuyer fermement contre les coins de la porte pour s'assurer que le panneau est correctement fixé aux coussins adhésifs.
3. Desserrer la vis de l'outil d'alignement du panneau et retirer l'outil de la porte du réfrigérateur en le faisant glisser vers la droite, puis le retirer de la porte.
 4. Monter l'outil d'alignement du panneau sur la porte du congélateur. Répéter l'étape 1 dans le réfrigérateur.
 5. Fixer la porte du congélateur. Répéter l'étape 2 dans le réfrigérateur.
 6. Desserrer la vis de l'outil d'alignement du panneau et retirer l'outil de la porte du congélateur en le faisant glisser vers la droite, puis le retirer de la porte.

7. Ouvrir les deux portes et fixer les supports de panneaux aux panneaux de porte. Tous les huit supports de panneaux (quatre sur chaque porte) doivent être fixés de la même manière :



- À l'aide d'un tournevis cruciforme et de deux vis de 13 mm (une au sommet du support et une au bas du support), fixer le support au panneau de porte.
 - Localiser les deux vis sans tête à fente et à l'aide d'un tournevis à lame plate, tourner la vis sans tête à fente du bas dans le sens horaire. Ceci détache la cale du support de panneau, qui est entre le support de panneau et le panneau de porte. Retirer et jeter la cale du support de panneau.
8. Terminer la mise en place des panneaux de porte au moyen des vis d'alignement sur les supports de panneau.



REMARQUE : S'assurer que les panneaux de porte n'entrent pas en contact direct avec les armoires ou portes d'armoire environnantes. Ce contact pourrait empêcher la ou les portes du réfrigérateur ou du congélateur de se fermer correctement.

- La vis sans tête à fente supérieure (A de l'illustration) ajuste l'espacement entre la porte et le panneau de porte. À l'aide d'un tournevis à lame plate, effectuer les ajustements. Tourner la vis en sens horaire pour augmenter l'espace entre la porte et le panneau de porte et en sens antihoraire pour diminuer l'espace.

REMARQUE : Lorsque les portes sont fermées, il doit y avoir un minimum de 1 mm d'espace entre la face arrière des panneaux de porte et la face avant de l'encadrement. Utiliser la vis sans tête à fente supérieure pour ajouter plus d'espace si nécessaire.

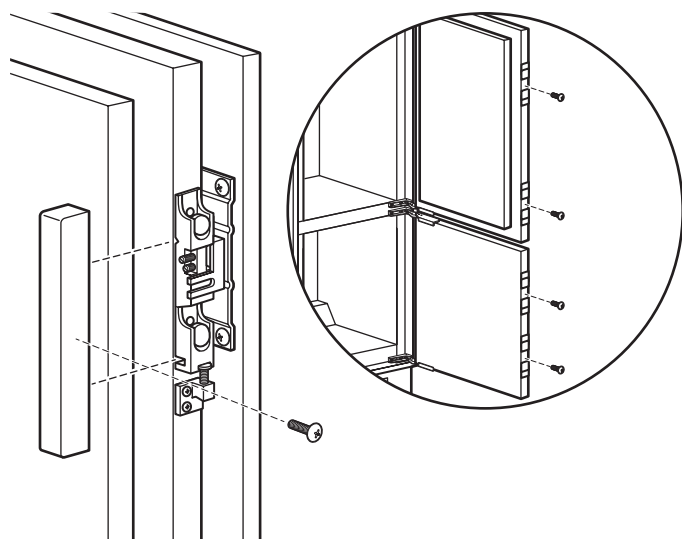
- La vis sans tête à fente inférieure (B de l'illustration) ajuste l'alignement horizontal (gauche à droite) du panneau de porte. À l'aide d'un tournevis à lame plate, tourner la vis en sens horaire et la desserrer. Faire glisser le panneau vers la gauche ou vers la droite comme on le souhaite, puis serrer la vis en la tournant dans le sens antihoraire.

REMARQUE : Ne pas faire glisser le panneau de plus de 2,5 mm dans l'un ou l'autre direction. Si le panneau est déplacé trop loin, le support de panneau peut ne pas être bien fixé au panneau de porte.

- La vis (C de l'illustration) au bas du support de panneau ajuste l'alignement vertical (de haut en bas) du panneau de porte. À l'aide d'un tournevis à lame plate, effectuer les ajustements. Tourner la vis dans le sens horaire pour élever le panneau de porte et dans le sens antihoraire pour abaisser le panneau de porte.

REMARQUE : Pour élever ou abaisser le panneau de porte, desserrer d'abord les vis sans tête à fente. Après avoir effectué l'ajustement vertical comme l'on désire, s'assurer de resserrer les vis sans tête à fente.

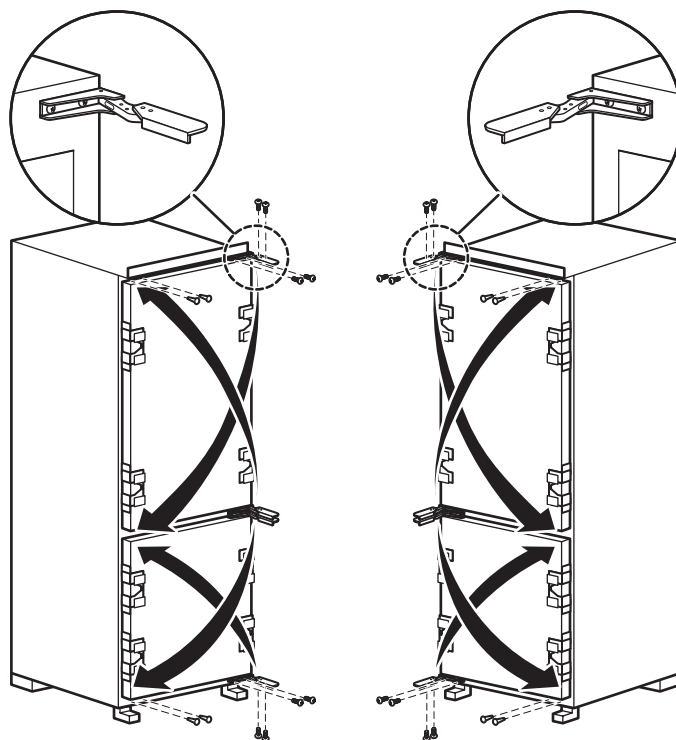
9. Fixer chaque support de panneau en place, puis installer les cache-support de panneau et les cache-charnière.



- Utiliser un tournevis cruciforme et une vis de 9,5 mm pour fixer chacun des supports de panneau (quatre sur chaque porte).
- Enclencher un cache-support de panneau sur chaque support de panneau situé sur le côté de la porte opposé des charnières, puis enclencher un cache-charnière sur chaque charnière.

10. Installer les deux cache-vis supérieurs et les quatre cache-charnière intérieures. Chacun s'enclenche en place.

Inversion des portes (facultatif)



1. À l'aide d'un tournevis cruciforme, retirer les quatre vis de la charnière supérieure de la porte du réfrigérateur. Retirer également les quatre vis de la charnière inférieure de la porte du réfrigérateur.
2. S'ils sont présents, retirer les bouchons d'obturation au côté opposé de la porte du réfrigérateur.
3. Installer la charnière supérieure sur le côté opposé (au bas) de la porte du réfrigérateur au moyen des quatre vis. Répéter l'opération pour la charnière inférieure.
4. Insérer les bouchons d'obturation où les vis de la charnière se trouvaient avant l'inversion de la porte.
5. Répéter l'opération pour inverser la porte du congélateur.

Terminer l'installation

1. Retirer toutes les boîtes, tous les paquets de pièces et tous les matériaux d'emballage de l'intérieur du réfrigérateur. Voir la section « Nettoyage » dans le guide d'utilisation et d'entretien pour les instructions de nettoyage et de déballage.
2. Installer les clayettes/tablettes et bacs dans les compartiments de réfrigération et de congélation.
3. Les commandes sont pré-réglées à l'usine au réglage moyen. S'assurer que le compresseur fonctionne bien et que tous les témoins sont en bon état de marche.

Pour l'utilisation la plus efficace de votre nouveau réfrigérateur encastré, lire le guide d'utilisation et d'entretien. Conserver les instructions d'installation et le guide près du réfrigérateur encastré pour s'y référer facilement.

SEGURIDAD DEL REFRIGERADOR

Su seguridad y la seguridad de los demás es muy importante.

Hemos incluido muchos mensajes importantes de seguridad en este manual y en su electrodoméstico. Lea y obedezca siempre todos los mensajes de seguridad.



Este es el símbolo de alerta de seguridad.

Este símbolo le llama la atención sobre peligros potenciales que pueden ocasionar la muerte o una lesión a usted y a los demás.

Todos los mensajes de seguridad irán a continuación del símbolo de advertencia de seguridad y de la palabra "PELIGRO" o "ADVERTENCIA". Estas palabras significan:

⚠ PELIGRO

Si no sigue las instrucciones de inmediato, usted puede morir o sufrir una lesión grave.

⚠ ADVERTENCIA

Si no sigue las instrucciones, usted puede morir o sufrir una lesión grave.

Todos los mensajes de seguridad le dirán el peligro potencial, le dirán cómo reducir las posibilidades de sufrir una lesión y lo que puede suceder si no se siguen las instrucciones.

⚠ ADVERTENCIA

Peligro de Peso Excesivo

Use dos o más personas para mover e instalar el refrigerador.

No seguir esta instrucción puede ocasionar una lesión en la espalda u otro tipo de lesiones.

REQUISITOS DE INSTALACIÓN

Herramientas y piezas

IMPORTANTE:

- Instalador: Deje las Instrucciones de instalación con el propietario.
- Propietario: Conserve las Instrucciones de instalación para referencia futura. Guarde estas instrucciones de instalación para tenerlas a disposición del inspector de electricidad local.
- No quite la cinta y los refuerzos de las puertas hasta que el refrigerador esté en su ubicación final.
- Para evitar riesgos debido a inestabilidad del refrigerador, se debe fijar de acuerdo con las instrucciones.

Herramientas necesarias:

Reúna las herramientas necesarias antes de comenzar la instalación.

- Destornillador Phillips
- Destornillador de hoja (ranura) plana

Piezas suministradas:

- Herramienta para alineación del armario
- Herramienta para alineación de los paneles de las puertas
- Tornillo A, 9,5 mm de longitud (8)
- Tornillo B, 13 mm de longitud (22)
- Tornillo C, 25 mm de longitud (2)
- Juntas (2)
- Tapas de bisagra (4)
- Cubiertas interiores de las bisagras (4)
- Cubiertas de tornillos superiores (2)
- Cubiertas de montaje de paneles (8)

Requisitos de ubicación

⚠️ ADVERTENCIA



Peligro de Explosión

Mantenga los materiales y vapores inflamables, tales como gasolina, alejados del refrigerador.

No seguir esta instrucción puede ocasionar la muerte, explosión, o incendio.

IMPORTANTE:

- Respete todos los códigos y las ordenanzas vigentes.
- No se recomienda instalar el refrigerador cerca de un horno, radiador u otra fuente de calor.
- No instale en un lugar donde la temperatura pueda descender a menos de 55 °F (13 °C).
- El piso debe soportar el peso del refrigerador, de más de 600 lb (272 kg), paneles de puerta y contenido del refrigerador.
- Debe instalar cada refrigerador en un marco de armario separado.

Medidas de la abertura

Este refrigerador está diseñado para instalación en un marco encajado entre armarios de cocina. El interior del marco debe tener como mínimo 69¹⁵/₁₆" (177,6 cm) de altura, 22¹/₁₆" (56,0 cm) de ancho y 21⁷/₈" (55,5 cm) de profundidad (del frente a la parte posterior).

Para una ventilación correcta, debe dejar un espacio adecuado sin obstrucciones detrás del refrigerador y debajo y encima del marco. El aire ingresa por debajo del refrigerador y sale por encima.

- Deje una separación mínima de 2" (50 mm) en la parte superior del marco.
- La profundidad mínima de la base del marco es de 20¹/₂" (520 mm) (del frente a la parte posterior).
- La base puede ser según se desee, pero la altura tiene que coincidir con la del zócalo de los armarios circundantes. Se requiere una ventilación con una abertura de al menos 31 pulgadas cuadradas (200 cm cuadrados) para una ventilación correcta.
- Si el espacio entre la parte superior del marco y el cielorraso está abierto al aire, deje un mínimo de 7⁷/₈" (200 mm) por encima del refrigerador.
- Si el espacio entre la parte superior del marco y el cielorraso está cerrado como parte de los armarios circundantes, se requiere una ventilación con una abertura de al menos 31 pulgadas cuadradas (200 cm cuadrados).

La parte inferior de la ventilación debe estar como mínimo a 7⁷/₈" (20,0 cm) por encima del refrigerador.

NOTA: No se suministran cubiertas de ventilación con la unidad.

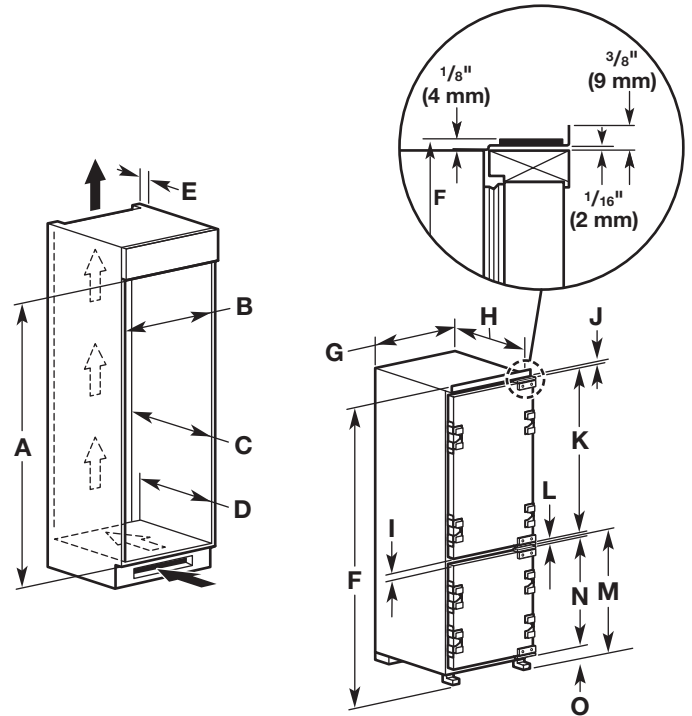
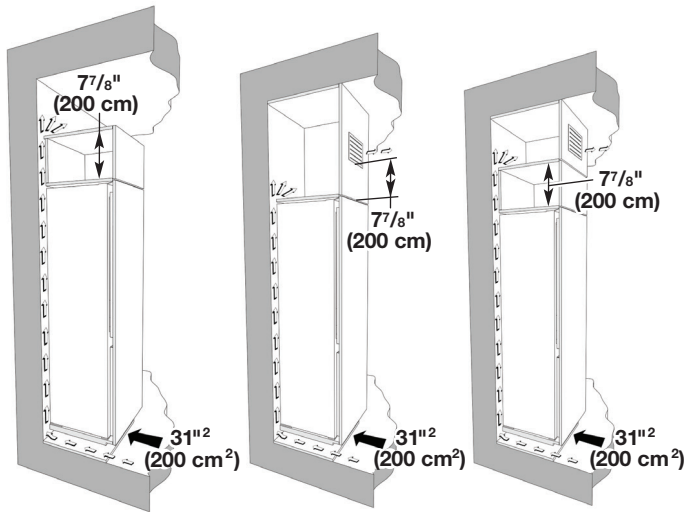


Tabla de dimensiones

A	69¹⁵/₁₆" (177,6 cm)
B	22¹/₁₆" (56,0 cm)
C	mínimo de 21⁷/₈" (555 mm)
D	mínimo de 20⁷/₁₆" (520 mm)
E	2" (50 mm) como mínimo
F	69¹¹/₁₆" (177,0 cm)
G	21⁹/₃₂" (54,0 cm)
H	21¹⁵/₃₂" (54,5 cm)
I	60 mm (2³/₈")
J	1/16" (2 mm)
K	20⁵/₈" (105,75 cm)
L	3/16" (10 mm)
M	28" (71 cm)
N	26⁵/₁₆" (66,85 cm)
O	1⁷/₈" (30 mm)



Dimensiones del producto

- La unidad mide 69¹¹/₁₆" (177,0 cm) de altura, 21⁹/₃₂" (54,0 cm) de ancho y 21¹⁵/₃₂" (54,5 cm) de profundidad (del frente a la parte posterior).
- La puerta del refrigerador (incluidas las bisagras [x2]) mide 20⁵/₈" (105,75 cm) de altura. La puerta del congelador (incluidas las bisagras [x2]) mide 26⁵/₁₆" (66,85 cm) de altura. El espacio entre las puertas del refrigerador y el congelador mide 2³/₈" (6,0 cm). El espacio entre las bisagras de las puertas mide 13/22" (1,0 cm).
- Se debe colocar un tomacorriente de tres terminales con conexión a tierra a no más de 4" (10,2 cm) de los armarios del lado derecho o del panel del extremo. Vea "Requisitos eléctricos" para más información.

Requisitos eléctricos

⚠ ADVERTENCIA



Peligro de Choque Eléctrico

Conecte a un contacto de pared de conexión a tierra de 3 terminales.

No quite la terminal de conexión a tierra.

No use un adaptador.

No use un cable eléctrico de extensión.

No seguir estas instrucciones puede ocasionar la muerte, incendio o choque eléctrico.

Antes de mover el refrigerador a su ubicación final, es importante que se asegure de tener la conexión eléctrica adecuada.

Método de conexión a tierra recomendado

Se requiere un suministro eléctrico de 115 voltios, 60 Hz, CA solamente, con fusibles de 15 o 20 amperios, debidamente conectado a tierra. Se recomienda utilizar un circuito separado solo para su refrigerador. Use un tomacorriente que no se pueda apagar con un interruptor. No use un cable eléctrico de extensión.

IMPORTANTE: Si este producto está conectado a un tomacorriente protegido por GFCI (Ground Fault Circuit Interrupter- Interruptor de circuito de falla eléctrica de puesta a tierra), puede ocurrir un disparo molesto del suministro de energía, lo que resultará en la pérdida de refrigeración. Esto puede afectar la calidad y el sabor de los alimentos. Si ha ocurrido un disparo molesto, y el alimento aparenta estar en malas condiciones, deshágase del mismo.

NOTA: Antes de hacer cualquier tipo de instalación o limpieza, desconecte la electricidad en la caja de disyuntores.

Al finalizar, vuelva a conectar la electricidad en la caja de disyuntores. Después, restablezca el control en el ajuste deseado.

INSTRUCCIONES DE INSTALACIÓN

Desembale el refrigerador

⚠ ADVERTENCIA

Peligro de Peso Excesivo

Use dos o más personas para mover e instalar el refrigerador.

No seguir esta instrucción puede ocasionar una lesión en la espalda u otro tipo de lesiones.

IMPORTANTE:

- Mantenga la pieza de cartón o de madera contrachapada del empaque debajo del refrigerador hasta que lo instale en su ubicación para el funcionamiento.

1. Conserve todo el material impreso que se provee dentro del refrigerador y no retire el paquete de material impreso que está adherido con cinta en el exterior del refrigerador.
2. Quite los cuatro soportes (dos de cada lado) que sujetan la base de empaque al fondo del refrigerador.

NOTA: No quite la cinta y los refuerzos de las puertas hasta que el refrigerador esté en su ubicación final.

Cómo enchufar el refrigerador

⚠ ADVERTENCIA



Peligro de Choque Eléctrico

Conecte a un contacto de pared de conexión a tierra de 3 terminales.

No quite la terminal de conexión a tierra.

No use un adaptador.

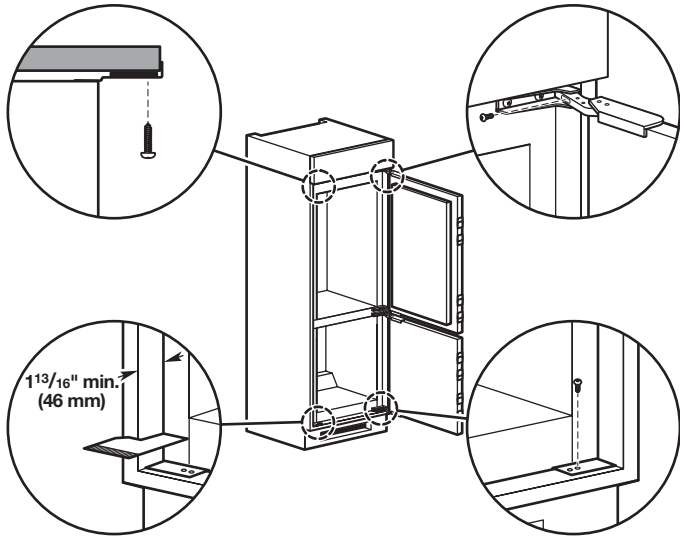
No use un cable eléctrico de extensión.

No seguir estas instrucciones puede ocasionar la muerte, incendio o choque eléctrico.

1. Conecte el producto a un contacto de pared de 3 terminales con conexión a tierra.

Coloque el refrigerador dentro del marco

1. Instale las tapas de bisagra, dos en la puerta del refrigerador y dos en la puerta del congelador.
2. Coloque la junta sobre el costado de la unidad opuesto a las bisagras.
3. Coloque el refrigerador dentro del marco.
4. Use un destornillador Phillips y dos tornillos de 13 mm (uno para cada costado) para instalar los soportes de la parte superior de la unidad en la cara inferior de la parte superior del marco.
5. Use la herramienta de alineación de armarios para asegurarse de empujar el refrigerador dentro del marco hasta la distancia correcta de $13^{13}/16$ " (46 mm).
6. Use un destornillador Phillips y dos tornillos de 25 mm (uno para cada costado) para instalar los soportes de la base de la unidad en el piso del marco.
7. Use un destornillador Phillips y cuatro tornillos de 13 mm (uno para cada bisagra) para instalar las bisagras en el costado del marco.



Requisitos de los paneles de la puerta (cada puerta)

Peso neto: 26,5 lb (12 kg)

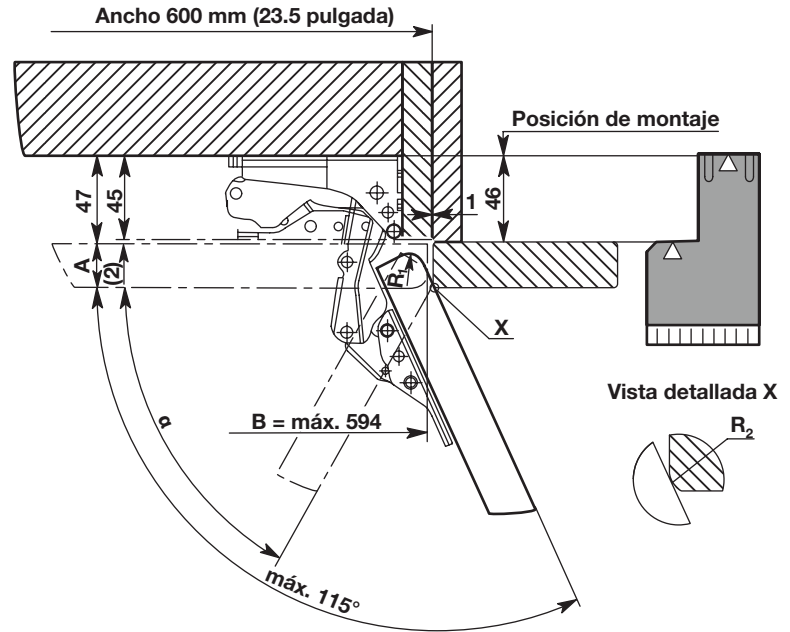
Dimensiones mínimas de los paneles:

Panel de la puerta del refrigerador: $42^{5}/8$ " (1071,5 mm) x $23^{1}/4$ " (590 mm)

x $3/4$ " (20 mm)

Panel de la puerta del congelador: $27^{5}/8$ " (701,5 mm) x $23^{1}/4$ " (590 mm) x $3/4$ " (20 mm).

Para dimensiones máximas, revise el siguiente diagrama.



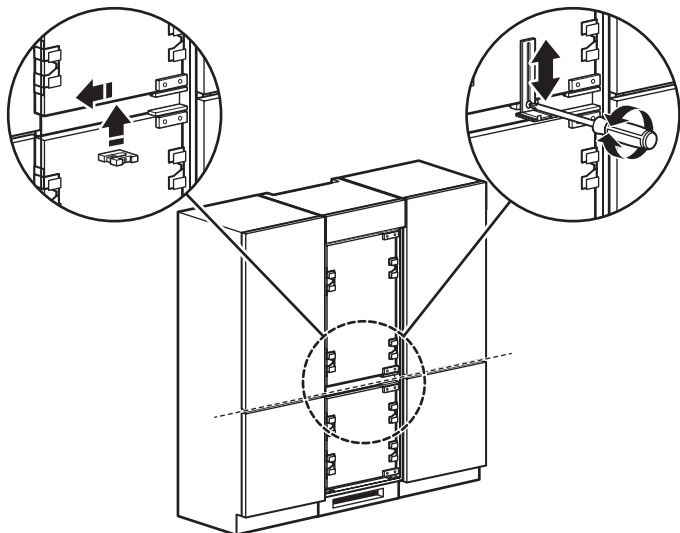
Grosor de pared del marco del armario de 16 mm

mín. R1 [mm]	B [mm]					
	594	593	592	591	590	
A [mm]	16	0	0	0	0	
	17	0	0	0	0	
	18	0	0	0	0	
	19	0	0	0	0	
	20	0	0	0	0	
	21	0.4	0	0	0	
	22	2.6	2	1.3	0.7	0
	23	5	4.4	3.8	3.2	2.6
24	7.5	7	6.5	6	5.5	

Cómo leer este diagrama:

Por ejemplo, si la dimensión del ancho del panel de la puerta "B" es de 593 mm y el grosor de la dimensión del panel de la puerta "A" es de 22 mm significa que el panel de la puerta requiere un radio "R1" mínimo de 2 mm.

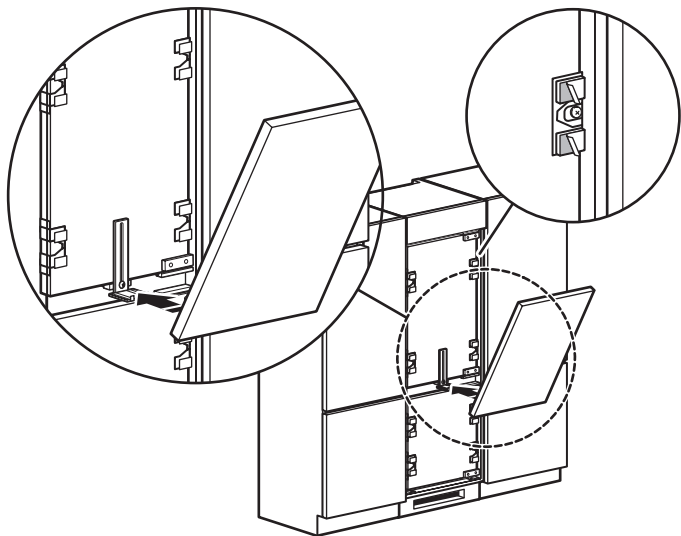
Cómo instalar los paneles de la puerta



1. Monte la herramienta de alineación de paneles sobre la puerta del refrigerador.

- Alinee la pieza más pequeña con los tornillos de la parte inferior de la puerta y deslícela hacia la izquierda.
- Para ensamblar la herramienta de alineación de paneles, inserte el brazo largo de la pieza principal en el recorte de la pieza menor y ajústelo de modo que la base quede a la altura apropiada, alineada con la base de las puertas de los armarios circundantes. Use un destornillador para apretar el tornillo de 9,5 mm de la herramienta de alineación de paneles y mantenerlo en su lugar.

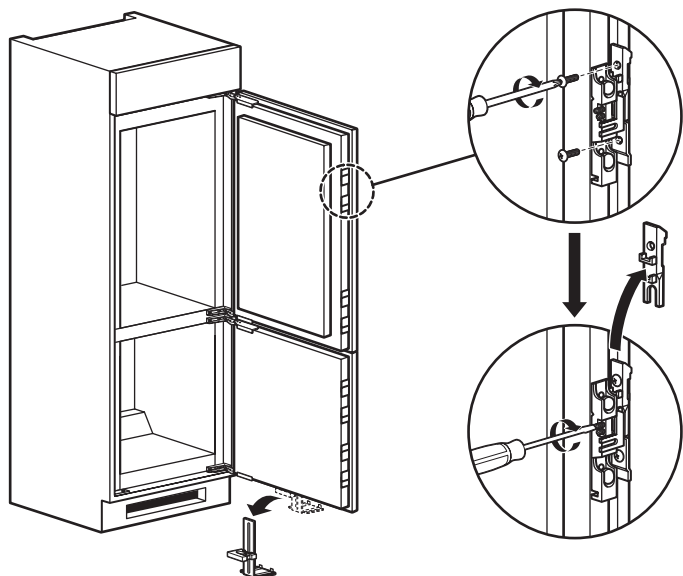
2. Instale el panel de la puerta del refrigerador.



- Retire las cubiertas protectoras de papel de las almohadillas adhesivas en cada montaje del panel de la puerta del refrigerador. Hay dos almohadillas adhesivas en cada uno de los cuatro montajes del panel.
- En un ángulo, apoye la base del panel de la puerta del refrigerador sobre la herramienta de alineación de paneles.
- Incline lentamente el panel para fijarlo sobre las almohadillas adhesivas en los montajes del panel. Presione con firmeza contra las esquinas de la puerta para asegurar que el panel se fije debidamente a las almohadillas adhesivas.

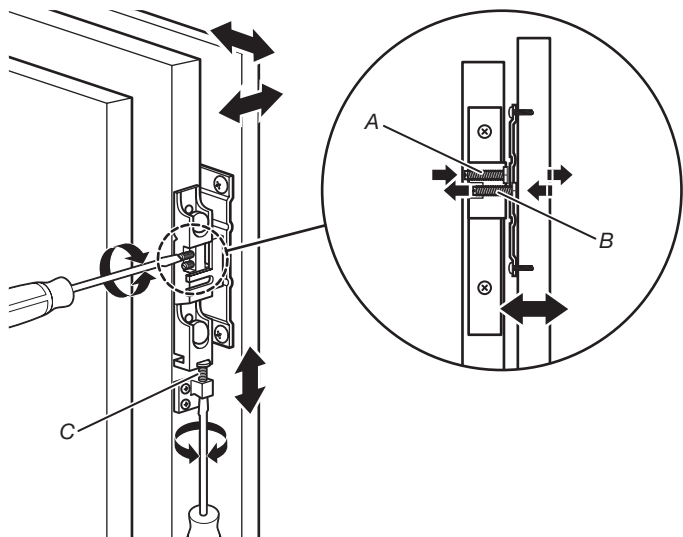
3. Afloje el tornillo de la herramienta de alineación de paneles y deslice la herramienta hacia la derecha y fuera de la puerta para retirarla de la puerta del refrigerador.
4. Monte la herramienta de alineación de paneles sobre la puerta del congelador. Repita el paso 1 del refrigerador.
5. Instale la puerta del congelador. Repita el paso 2 del refrigerador.
6. Afloje el tornillo de la herramienta de alineación de paneles y deslice la herramienta hacia la derecha y fuera de la puerta para retirarla de la puerta del congelador.

7. Abra las dos puertas y sujete los montajes de los paneles a los paneles de las puertas. Los ocho montajes de los paneles (cuatro en cada puerta) se deben sujetar de la misma manera:



- Use un destornillador Phillips y dos tornillos de 13 mm (uno en la parte superior del montaje y uno en la parte inferior del montaje) para sujetar el montaje al panel de la puerta.
- Ubique los dos tornillos ranurados sin cabeza y use un destornillador de hoja plana para girar el tornillo sin cabeza inferior en sentido horario. Esto afloja el soporte de montaje del panel, que está entre el montaje del panel y el panel de la puerta. Retire y deseche el soporte de montaje del panel.

8. Finalice la colocación de los paneles de las puertas con los tornillos de alineación en los montajes de los paneles.



NOTA: Asegúrese de que los paneles de las puertas no estén en contacto directo con ninguno de los armarios o de las puertas de los armarios circundantes. Dicho contacto podría impedir que la puerta del refrigerador y/o congelador cerrara correctamente.

- El tornillo sin cabeza con ranura superior (A en la ilustración) ajusta la separación entre la puerta y el panel de la puerta. Use un destornillador de hoja plana para hacer ajustes. Gire el tornillo en sentido horario para aumentar el espacio entre la puerta y el panel de la puerta y en sentido antihorario para reducirlo.

NOTA: Cuando las puertas están cerradas, debe haber un espacio mínimo de 1 mm entre la cara posterior de los paneles de las puertas y la cara delantera del marco. Use el tornillo sin cabeza con ranura superior para agregar más espacio si es necesario.

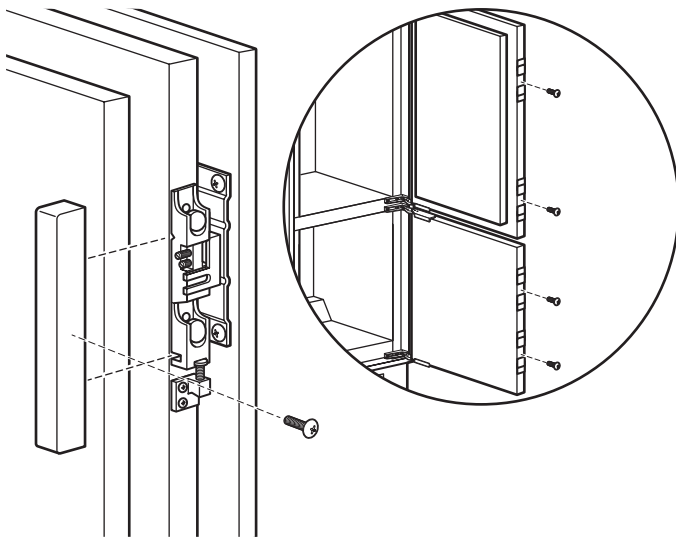
- El tornillo sin cabeza con ranura inferior (B en la ilustración) ajusta la alineación horizontal (de izquierda a derecha) del panel de la puerta. Use un destornillador de hoja plana para girar el tornillo en sentido horario y aflojarlo. Deslice el panel hacia la izquierda o derecha según desee y, después, gire el tornillo en sentido antihorario para apretarlo.

NOTA: No deslice el panel más de 2,5 mm en cualquier sentido. Si lo desliza demasiado, el montaje del panel no se sujetará debidamente al panel de la puerta.

- El tornillo (C en la ilustración) de la parte inferior del montaje del panel ajusta la alineación vertical (de la parte superior a la inferior) del panel de la puerta. Use un destornillador de hoja plana para hacer ajustes. Gire el tornillo en sentido horario para elevar el panel de la puerta y en sentido antihorario para bajarlo.

NOTA: Para elevar o bajar el panel de la puerta, puede ser necesario aflojar primero los tornillos sin cabeza ranurados. Si hace esto, asegúrese de volver a apretarlos después de realizar el ajuste vertical deseado.

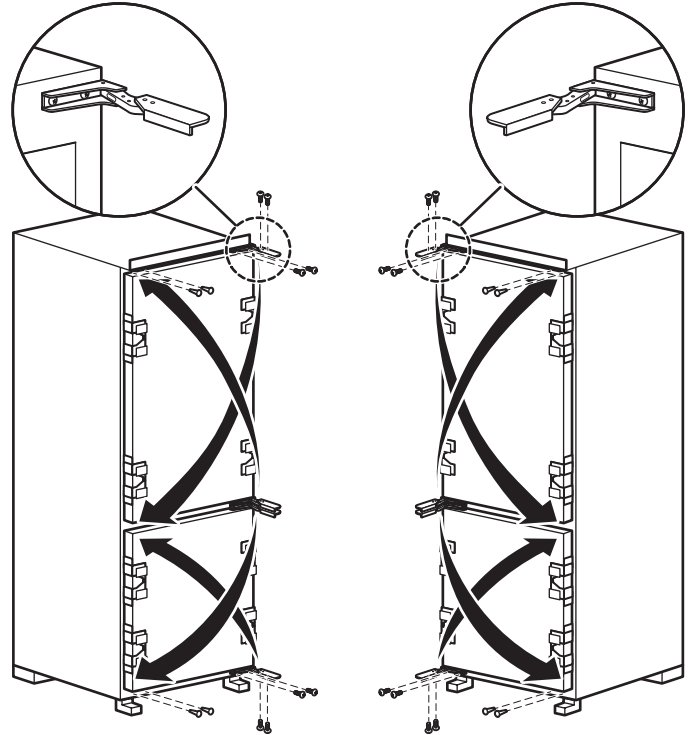
9. Fije cada montaje de panel en su lugar y, después, instale las cubiertas de los montajes y las tapas de extremo de las bisagras.



- Use un destornillador Phillips y un tornillo de 9,5 mm para fijar cada montaje de panel en su lugar (cuatro en cada puerta).
- Coloque a presión una cubierta de montaje de panel sobre cada montaje de panel ubicado al costado de la puerta enfrentado a las bisagras; después, coloque a presión una tapa de extremo de bisagra sobre cada bisagra.

10. Instale las dos cubiertas de tornillo superior y las cuatro cubiertas interiores de las bisagras. Cada una se instala a presión en su sitio.

Cómo invertir las puertas (opcional)



1. Use un destornillador Phillips para retirar los cuatro tornillos en la bisagra superior de la puerta del refrigerador. Repita con los cuatro tornillos de la bisagra inferior de la puerta del refrigerador.
2. Si están instalados, retire los tapones de orificios del lado opuesto de la puerta del refrigerador.
3. Use los cuatro tornillos para instalar la bisagra superior en el lado opuesto (inferior) de la puerta del refrigerador. Repita el procedimiento para la bisagra inferior.
4. Inserte los tapones de orificios donde estaban los tornillos de las bisagras antes de invertir la puerta.
5. Repita el proceso para invertir la puerta del congelador.

Completar la instalación

1. Retire todas las cajas, paquetes de piezas y materiales de empaque del interior del refrigerador. Vea la sección "Limpieza" en el Manual de uso y cuidado para las instrucciones de limpieza y desempaque.
2. Instale los estantes y recipientes en los compartimientos del refrigerador y del congelador.
3. Los controles están preajustados de fábrica en un ajuste medio. Verifique que el compresor esté funcionando correctamente y que todas las luces funcionen.

Para obtener el uso más eficiente de su nuevo refrigerador empotrado, lea el Manual de uso y cuidado. Guarde las Instrucciones de instalación y el Manual de uso y cuidado cerca del refrigerador empotrado para una consulta fácil.

®/™ ©2018 KitchenAid. All rights reserved. Used under license in Canada.

®/™ ©2018 KitchenAid. Tous droits réservés. Utilisé sous licence au Canada.

®/™ ©2018 KitchenAid. Todos los derechos reservados. Usado en Canadá bajo licencia.