



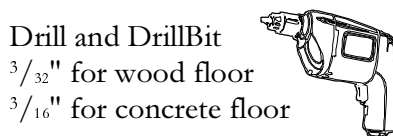
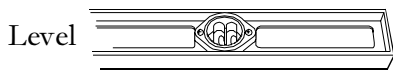
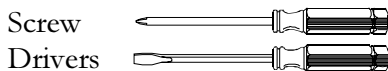
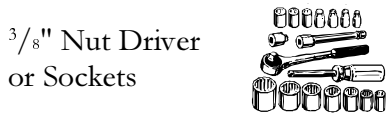
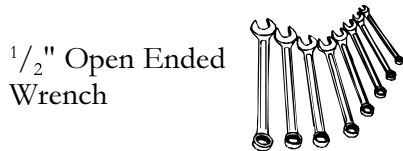
Installation Instructions

Installer—Leave this manual and other literature with owner for future use.

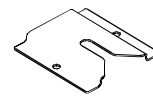
Slide-In Gas Range

Keep instructions for future reference. Be sure manual stays with range.
Read entire instruction and Owner's Manual before beginning installation.

You'll Need a Few Tools Before You Begin



1 PREPARE TO INSTALL RANGE AND INSTALL ANTI-TIP BRACKET

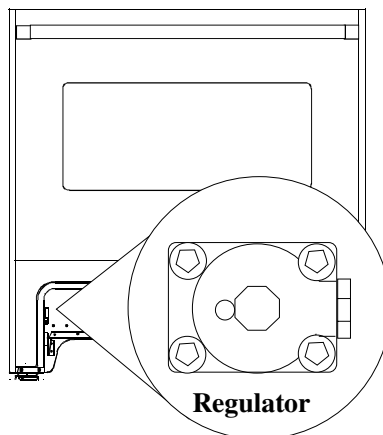


Anti-tip Bracket Installation

To reduce risk of range tipping, secure range with a properly installed anti-tip bracket. Refer to anti-tip installation instruction, provided with the bracket. Install bracket before placing range in cabinet cutout.

Pressure regulator location

Remove the storage drawer and locate regulator under oven cavity in rear.



Measure cabinet area and prepare it according to illustrations in *Minimum Clearances to Combustible Surfaces and Range and Cabinet Dimensions* section in this instruction sheet.

Gas supply **must** not interfere with electrical supply. **Electrical supply must not be grounded to the gas supply line.**

Once a suitable location is found meeting the specified requirements, proceed to the next step of the installation.

2 CONNECT GAS SUPPLY

Range is shipped to be connected to natural gas only. **To convert to LP/Propane, refer to the conversion instructions supplied with range.**



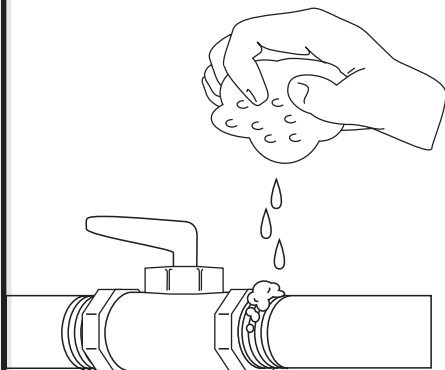
WARNING

To avoid risk of property damage or serious personal injury, never use a lighted match to test for gas leaks.

Testing for Gas Leaks

After final gas connection is made, turn on manual gas valve and test all connections in gas supply piping and range for gas leaks. **Leak testing of the appliance shall be conducted according to the manufacturer's instructions.**

1. Place soap suds on connection.
 - Bubbles appear if leak is present.
2. If bubbles appear, shut off gas supply valve.
3. Tighten joint if leak is at factory fitting.
 - If leak is not at factory fitting, unscrew, apply more joint compound, and tighten to correct leak.
4. Retest connection for leak after tightening.
 - Retest any connections that were disturbed.



Gas Connection

Connect gas supply to regulator using hard pipe or flexible connector (check local codes). Pressure regulator supplied with this appliance has a 1/2 inch NPT female connection. If gas union is used, remove storage drawer, slide range into place, and connect union.

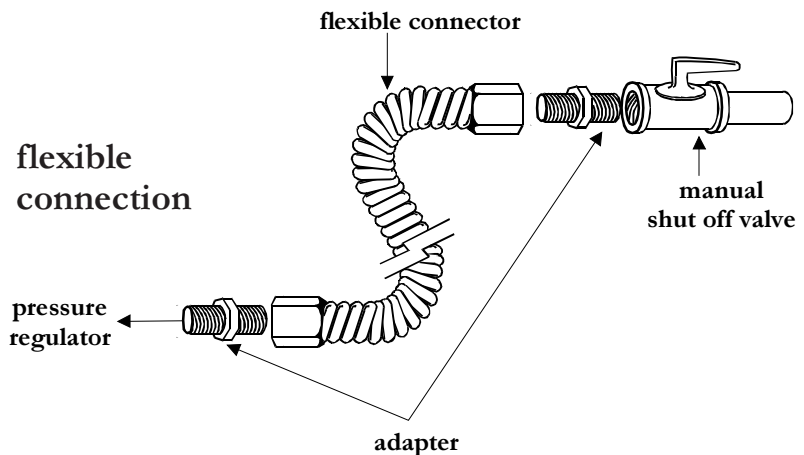
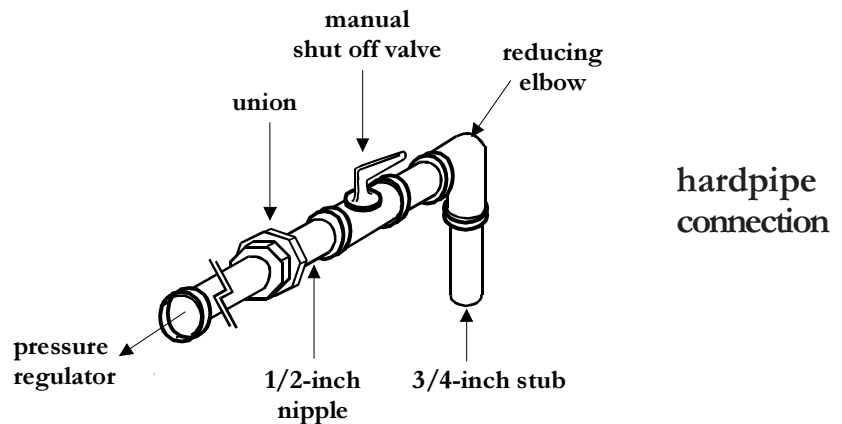
- A manual shutoff, not supplied with range, must be installed in an accessible location outside of range.
- Connector must be AGA/CGA design certified.
- Use joint compound that is resistant to the action of propane gas on all male threads.
- Use supplied pressure regulator only.
- Do not overtighten gas fitting when attaching to pressure regulator. Overtightening may crack regulator.
- Support pressure regulator with wrench when installing gas fitting.



WARNING

To avoid risk of property damage or personal injury, only use a new flexible connector that is AGA/CGA design certified.

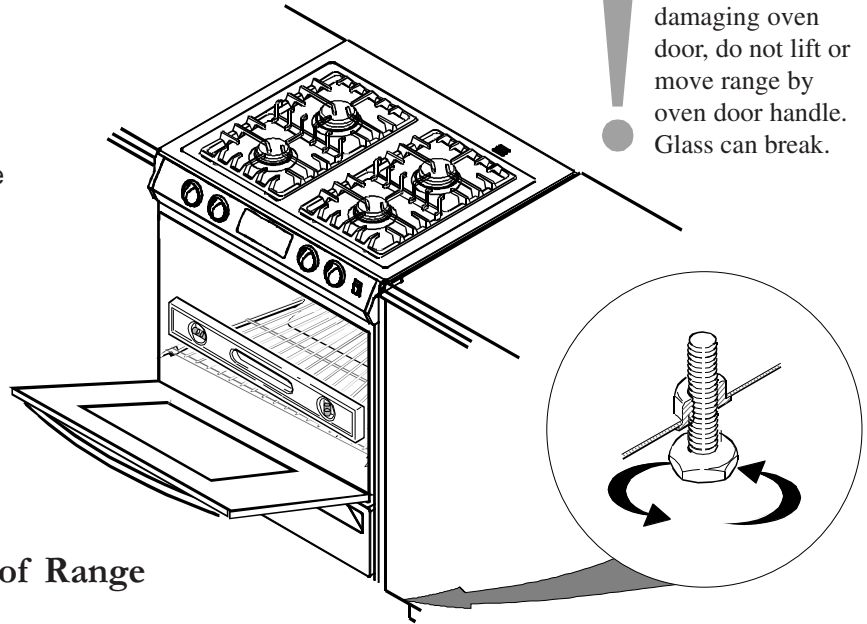
- Do not use an old connector.
- Do not reuse a connector after moving appliance.



3 POSITION AND LEVEL RANGE

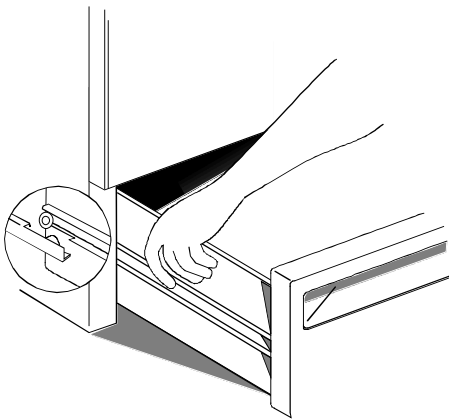
Place range near final position and plug in. A 3-wire electrical cord approximately 4 feet in length is supplied on range. Then, slide range into final position and adjust all legs (4) until range is level side to side and front to back.

- Place a level on top oven rack or on range top when leveling.
- Leveling legs must extend $\frac{1}{4}$ inch to engage anti-tip bracket.



Removal and Replacement of Range

1. Unplug range cord.
2. Turn off gas valve and disconnect gas supply.
3. Remove range and place aside.
4. Remove anti-tip bracket.
5. Install anti-tip bracket into new location using instructions provided with bracket.
6. To reinstall range, follow instructions in this manual.
 - Do not reuse a flexible connector after moving appliance.

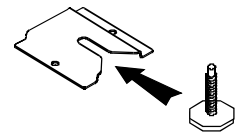


Remove Storage Drawer and Check Anti-tip Bracket

After range is in position, remove storage drawer or lower panel and confirm anti-tip bracket is engaged with range leveling leg.

To remove storage drawer

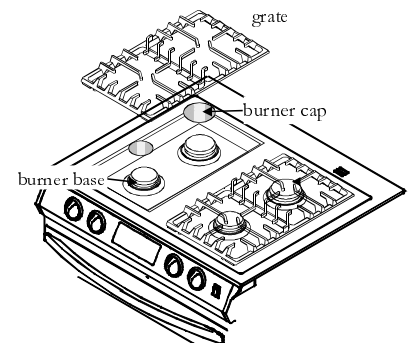
1. Slide drawer out until it stops.
2. Grasp drawer sides near back of drawer.
3. Lift up and out. Reverse to reinstall.



4 PLACE BURNER CAPS AND ADJUST BURNER FLAMES

Before operating range, surface and oven burner flames must be adjusted:

- Refer to Owner's Manual for instructions on proper flame adjustment.
- Failing to adjust flames properly can result in poor cooking or flaming.



IMPORTANT SAFETY INFORMATION



WARNING

To avoid risk of burns or fire by reaching over burners, cabinet storage space located above range should be avoided. If cabinet storage is provided, install a range hood that projects horizontally a minimum of 5 inches beyond the cabinet bottom to reduce the risk.



WARNING

To avoid risk of electrical shock, personal injury, or death, make sure your range has been properly grounded and always disconnect it from main power supply before servicing.



WARNING

To reduce risk of the appliance tipping, it must be secured by a properly installed anti-tip bracket. To make sure bracket has been installed properly, remove the storage drawer or panel and look under the range with a flashlight. Bracket must be engaged in the rear corner of the range.



- ALL RANGES CAN TIP
- INJURY TO PERSONS COULD RESULT
- INSTALL ANTI-TIP BRACKET(S) PACKED WITH RANGE
- SEE INSTALLATION INSTRUCTIONS

Minimum Clearances to Combustible Surfaces

This range can be installed flush against right and left base cabinets, and rear vertical wall. **The dimensions provided are to be measured from the range itself**, and not the installation cutout for the range.

A—Minimum of 30 inches between top of cooking surface and bottom of an unprotected wood or metal cabinet.

OR

A—Minimum of 24 inches between cooking surface and protected wood or metal cabinet above range. Cabinet bottom must be protected by at least ¼ inch thick millboard with not less than No. 28 MSG sheet steel, .015 inch thick stainless steel, .024 inch thick aluminum, or .020 inch thick copper.

B—Minimum of 30" horizontal distance is required between overhead cabinets installed on either side of range.

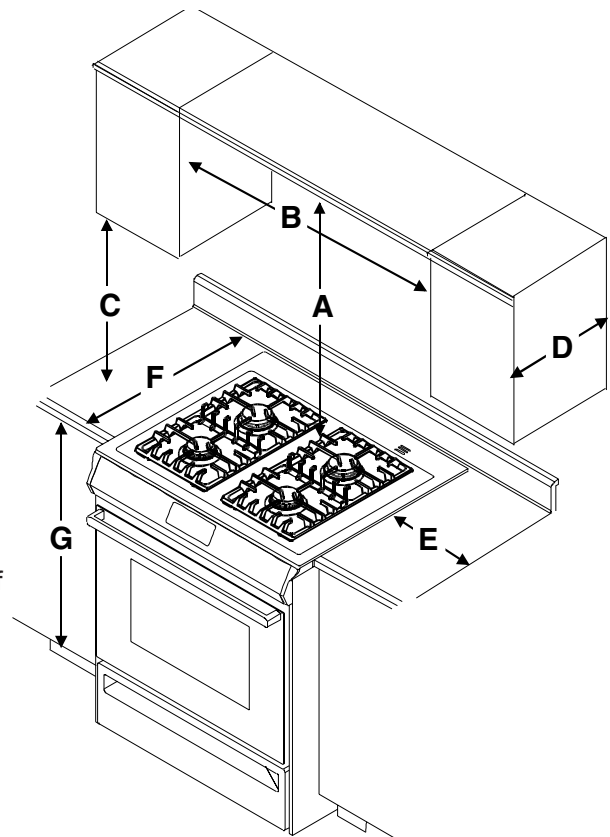
C—Minimum of 18" between top of countertop and bottom of an unprotected wood or metal cabinet.

D—Maximum depth of 13" for overcounter cabinets.

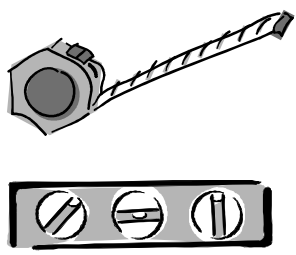
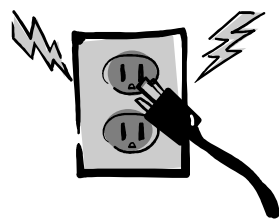

E—Minimum of 3 inches to a vertical right or left side wall extending above cooking surface.

F—Maximum depth of 25 inches.

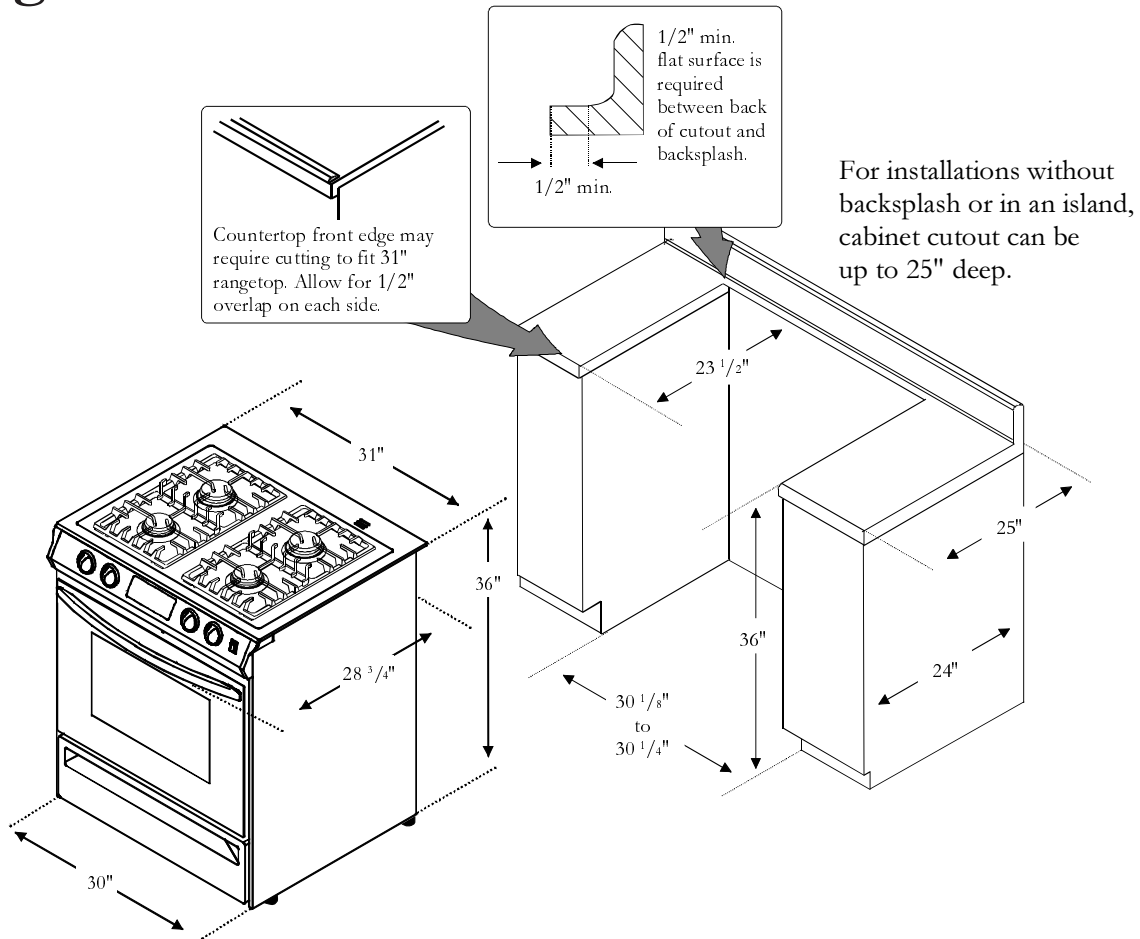
G—Maximum of 36 inch cabinet height.



SAVE THESE INSTRUCTIONS

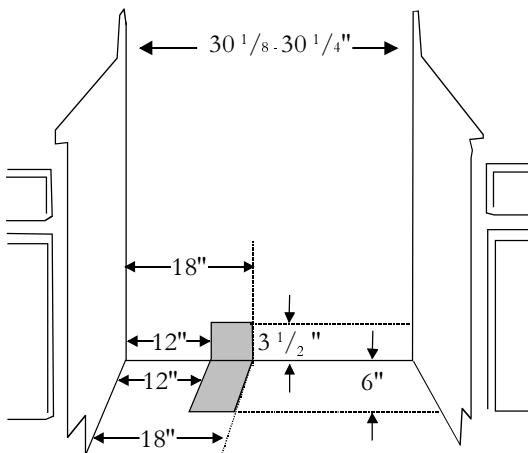
Consider	Description
<p data-bbox="129 210 259 241">Location</p> 	<p data-bbox="527 210 1445 304">This range can be installed flush against right and left base cabinets, and rear vertical wall. Range must have a minimum distance of 3 inches from a left or right vertical wall extending above 36 inch standard countertop height.</p> <p data-bbox="527 315 1347 378">Use dimensions shown in this manual to determine space needed for installation.</p> <p data-bbox="527 388 1421 451">Range must not be installed or stored in an area where it will be exposed to water and/or weather.</p> <p data-bbox="527 462 1055 493">Irregular Cabinet and Countertop Heights</p> <p data-bbox="527 504 1485 556">Countertops such as ceramic tile tops cause cabinet and countertop to be higher than 36". Follow instructions below when countertop is higher than 36".</p> <ol data-bbox="527 567 1469 787" style="list-style-type: none"> 1. Raise leveling legs to maximum height. 2. Measure from floor to rangetop. If the height of the range is less than height of countertop, floor must be shimmed. 3. Shim floor using a piece of plywood same size as range opening. Secure plywood to floor. Plywood must be as secure as original flooring. 4. Install anti-tip bracket and slide range into place.
<p data-bbox="129 840 454 871">Electrical Requirements</p> 	<p data-bbox="527 840 747 871">Electrical Supply</p> <p data-bbox="527 871 1485 1113">Range needs a 120 volt, 60 hertz, 3 prong receptacle protected by a 15 amp circuit breaker or time delay fuse. A qualified electrician should confirm the outlet is properly polarized and grounded. Wiring system and grounding must conform with the latest edition of the National Electric Code, ANSI/NFPA 70, or the Canadian Electrical Code, CSA C22.1. Installation must conform to all local, municipal and state building codes, and local utility regulations. Connect range to power supply with MAXIMUM RATED VOLTAGE listed on the rating plate. Line voltage must not exceed rated voltage.</p> <p data-bbox="527 1123 1485 1239">If a 2 prong outlet is encountered, range owner must replace the outlet before using the range. Do not cut off the cord, use a plug adapter or extension cord, or remove grounding plug. Electrical supply should not converge on gas supply. Do not ground electrical supply to gas lines.</p>
<p data-bbox="129 1260 389 1291">Gas Requirements</p> <div data-bbox="129 1417 503 1638" style="border: 1px solid black; padding: 5px;">  <p data-bbox="267 1438 454 1491">CAUTION</p> <p data-bbox="146 1501 470 1627">To avoid property damage, maximum gas supply pressure must not exceed 14" WCP.</p> </div>	<p data-bbox="527 1260 682 1291">Gas Supply</p> <p data-bbox="527 1302 1453 1417">Installation must conform with the latest edition of the National Fuel Gas Code, ANSI Z223.1 or CAN1-B149.1 or B149.2 for gas burning appliances and equipment. Installation must conform to all local, municipal and state building codes, and local utility regulations.</p> <p data-bbox="527 1428 1469 1606">In mobile housing, installation is to be in accordance with CSA standard Z241.1 gas equipped mobile housing. In manufactured (mobile) home installation must conform with the latest edition of Manufactured Home Construction and Safety Standard, Title 24 CFR, Part 3280. When that standard is not applicable, the Standard for Manufactured Home Installation, ANSI 225.1/NFPA 501-A, or local codes or the standard CAN/CSA-z240MH, "Mobile Homes" should be used.</p> <p data-bbox="527 1617 803 1648">Gas Supply Pressure</p> <p data-bbox="527 1659 1485 1753">Appliance and individual shutoff valve must be disconnected from the gas supply piping system during any pressure testing of that system at test pressures in excess of ½ psig (3.5kPa) (14" WCP).</p> <p data-bbox="527 1764 1469 1858">Appliance must be isolated from gas supply piping system by closing manual shutoff valve during any pressure testing of the gas supply piping system at test pressures equal to or less than ½ psig (3.5 kPa) (14" WCP).</p> <p data-bbox="527 1869 1421 1921">Gas supply pressure for checking regulator setting must be at least 1" WCP above manifold pressure shown on rating label.</p>

Range and Cabinet Dimensions



Gas Supply Location

Locate gas supply within **gray shaded area**.
Gas and electrical supplies should not converge.



Electrical Receptacle Location

Electrical receptacle should be within shaded area.
Do not ground electrical supply to gas supply lines.

