

Use & Care Guide
Manual de Uso y Cuidado
English / Español

Models/Modelos: 795.6800*, 795.6803*, 795.7800*, 795.7803*

Kenmore[®]

Top Mount Refrigerator

Congelador Superior Refrigerador

* = color number, número de color

P/N MFL67527902-4
Sears Brands Management Corporation
Hoffman Estates, IL 60179 U.S.A.
www.kenmore.com



TABLE OF CONTENTS

Warranty	3	Care and Cleaning	25-26
Protection Agreements	4	Connecting the Water Line	27-29
Important Safety Instructions	5-7	Troubleshooting Guide	30-35
Electrical & Grounding Requirements	7	Service	Back Cover
Parts and Features	8		
Refrigerator Installation	9-19		
Unpacking Your Refrigerator.....	9		
Installation	10		
Removing and Replacing the Doors.....	11-12		
Reversing the Doors	13-19		
Leveling.....	19		
Door Alignment	19		
Using Your Refrigerator	20-24		
Setting the Controls	20		
Food Storage Guide.....	21		
Automatic Icemaker	22		
Refrigerator Shelves.....	23		
Pantry Drawer.....	23		
Humidity Controlled Crisper.....	24		
Door Bins	24		
Dairy Bin.....	24		

WARRANTY



REFRIGERATOR WARRANTY

Kenmore Limited Warranty

FOR ONE YEAR from the date of sale this appliance is warranted against defects in material or workmanship when it is correctly installed, operated and maintained according to all supplied instructions.

WITH PROOF OF SALE, a defective appliance will receive free repair or replacement at option of seller.

For warranty coverage details to obtain free repair or replacement, visit the web page: www.kenmore.com/warranty

This warranty applies for only 90 DAYS from the sale date in the United States, and is void in Canada, if this appliance is ever used for other than private household purposes.

This warranty covers ONLY defects in material and workmanship, and will NOT pay for:

1. Expendable items that can wear out from normal use, including but not limited to filters, belts, bags or screw-in base light bulbs.
2. A service technician to clean or maintain this appliance, or to instruct the user in correct appliance installation, operation and maintenance.
3. Service calls to correct appliance installation not performed by Sears authorized service agents, or to repair problems with house fuses, circuit breakers, house wiring, and plumbing or gas supply systems resulting from such installation.
4. Damage to or failure of this appliance resulting from installation not performed by Sears authorized service agents, including installation that was not in accord with electrical, gas or plumbing codes.
5. Damage to or failure of this appliance, including discoloration or surface rust, if it is not correctly operated and maintained according to all supplied instructions.
6. Damage to or failure of this appliance, including discoloration or surface rust, resulting from accident, alteration, abuse, misuse or use for other than its intended purpose.
7. Damage to or failure of this appliance, including discoloration or surface rust, caused by the use of detergents, cleaners, chemicals or utensils other than those recommended in all instructions supplied with the product.
8. Damage to or failure of parts or systems resulting from unauthorized modifications made to this appliance.
9. Service to an appliance if the model and serial plate is missing, altered, or cannot easily be determined to have the appropriate certification logo.

Disclaimer of implied warranties; limitation of remedies

Customer's sole and exclusive remedy under this limited warranty shall be product repair or replacement as provided herein. Implied warranties, including warranties of merchantability or fitness for a particular purpose, are limited to one year or the shortest period allowed by law. Seller shall not be liable for incidental or consequential damages. Some states and provinces do not allow the exclusion or limitation of incidental or consequential damages, or limitation on the duration of implied warranties of merchantability or fitness, so these exclusions or limitations may not apply to you.

This warranty applies only while this appliance is used in the United States or Canada*.

This warranty gives you specific legal rights, and you may also have other rights which vary from state to state.

* In-home repair service is not available in all Canadian geographical areas, nor will this warranty cover user or servicer travel and transportation expenses if this product is located in a remote area (as defined by Sears Canada Inc.) where an authorized servicer is not available.

**Sears Brands Management Corporation, Hoffman Estates, IL 60179
Sears Canada Inc., Toronto, Ontario, Canada M5B 2C3**

PROTECTION AGREEMENTS

Master Protection Agreements

Congratulations on making a smart purchase. Your new Kenmore® product is designed and manufactured for years of dependable operation. But like all products, it may require preventive maintenance or repair from time to time. That's when having a Master Protection Agreement can save you money and aggravation.

The Master Protection Agreement also helps extend the life of your new product. Here's what the Agreement* includes:

- **Parts and labor** needed to help keep products operating properly **under normal use**, not just defects. Our coverage goes **well beyond the product warranty**. No deductibles, no functional failure excluded from coverage— **real protection**.
- **Expert service** by a force of more than **10,000 authorized Sears service technicians**, which means someone you can trust will be working on your product.
- **Unlimited service calls and nationwide service**, as often as you want us, whenever you want us.
- **"No-lemon" guarantee** – replacement of your covered product if four or more product failures occur within twelve months.
- **Product replacement** if your covered product can't be fixed.
- **Annual Preventive Maintenance Check** at your request – no extra charge.
- **Fast help by phone** – we call it **Rapid Resolution** – phone support from a Sears representative on all products. Think of us as a "talking owner's manual."

- **Power surge protection** against electrical damage due to power fluctuations.
- **\$250 Food Loss Protection** annually for any food spoilage that is the result of mechanical failure of any covered refrigerator or freezer.
- **Rental reimbursement** if repair of your covered product takes longer than promised.
- **10% discount** off the regular price of any non-covered repair service and related installed parts.

Once you purchase the Agreement, a simple phone call is all that it takes to schedule service. You can call at any time day or night, or schedule a service appointment online.

The Master Protection Agreement is a risk free purchase. If you cancel for any reason during the product warranty period, we will provide a full refund or a prorated refund anytime after the product warranty period expires. Purchase your Master Protection Agreement today!

Some limitations and exclusions apply.

For prices and additional information in the U.S.A. call 1-800-827-6655.

*** Coverage in Canada varies on some items. For full details call Sears Canada at 1-800-361-6665.**

Sears Installation Service

For Sears professional installation of home appliances, garage door openers, water heaters, and other major home items, in the **U.S.A. call 1-844-553-6667** and in **Canada call 1-800-469-4663**.

PRODUCT RECORD

In the space below, record the date of purchase, model and serial number of your product. You will find the model and serial number printed on an identification label located on the interior liner of the refrigerator compartment. Have these items of information available whenever you contact Sears concerning your product.

Model No. _____

Date of Purchase _____

Serial No. _____

Save these instructions and attach your sales receipt for future reference.

IMPORTANT SAFETY INSTRUCTIONS

BASIC SAFETY PRECAUTIONS

This guide contains many important safety messages. Always **read and obey** all safety messages.



This is the safety alert symbol. It alerts you to safety messages that inform you of hazards that can kill or hurt you or others, or cause damage to the product.

All safety messages will be preceded by the safety alert symbol and the hazard signal word DANGER, WARNING or CAUTION. These words mean:

DANGER

You **will** be killed or seriously injured if you do not follow instructions.

WARNING

You **can** be killed or seriously injured if you do not follow instructions.

CAUTION

Indicates an imminently hazardous situation which, if not avoided, **may** result in minor or moderate injury, or product damage.

All safety messages will identify the hazard, tell you how to reduce the chance of injury, and tell you what can happen if the instructions are not followed.

WARNING

To reduce the risk of fire, electric shock, or personal injury when using your product, basic safety precautions should be followed, including the following.

Read all instructions before using this appliance.

- NEVER unplug your refrigerator by pulling on the power cord. Always grip the plug firmly and pull it straight out from the outlet.
- Immediately repair or replace all power cords that have become frayed or otherwise damaged. Do not use a cord that shows cracks or abrasion damage along its length or at either the plug or connector end.
- Do not modify or extend the power cord length. It could cause electric shock or fire.
- When moving your refrigerator away from the wall, be careful not to roll over or damage the power cord.

- DO NOT store or use gasoline or other flammable vapors and liquids in the vicinity of this or any other appliance.
- DO NOT allow children to climb, stand, or hang on the refrigerator doors or shelves in the refrigerator. They could damage the refrigerator and seriously injure themselves.
- Keep fingers out of pinch point areas; clearances between the doors and cabinets are necessarily small. Be careful closing doors when children are in the area.
- Unplug your refrigerator before cleaning or making any repairs.

NOTE: It is strongly recommended that any service be performed by a qualified technician.

SAVE THESE INSTRUCTIONS

⚠ WARNING

- Before replacing a burned-out or broken light bulb, unplug the refrigerator or turn off power at the circuit breaker or fuse box in order to avoid contact with a live wire filament. (A burned-out light bulb may break when being replaced exposing the wire filament.)

NOTE: Some models have LED interior lighting and service should be performed by a qualified technician.

⚠ WARNING: Setting either or both controls to the OFF position does not remove power to the light circuit.

- When you are finished, reconnect the refrigerator to the electrical source and reset the controls (Thermostat, Refrigerator Control, and or Freezer Control, depending on the model) to the desired setting.
- This refrigerator must be properly installed in accordance with the **Attention Installer Instructions** that were taped to the front of the refrigerator.
- After your refrigerator is in operation, do not touch the cold surfaces in the freezer compartment when hands are damp or wet. Skin may adhere to the extremely cold surfaces.

- DO NOT touch the automatic ice making mechanism while the refrigerator is plugged in.
- DO NOT refreeze frozen foods which have thawed completely. The United States Department of Agriculture in Home and Garden Bulletin No. 69 says:

...You may safely refreeze frozen foods that have thawed if they still contain ice crystals or if they are still cold—below 4°C.

...Thawed ground meats, poultry or fish that have any off-odor or off-color should not be refrozen and should not be eaten. Thawed ice cream should be discarded. If the odor or color of any food is poor or questionable, dispose of it. The food may be dangerous to eat.

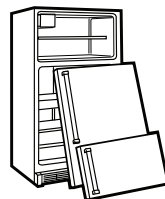
Even partial thawing and refreezing reduces the eating quality of foods, particularly fruits, vegetables and prepared foods. The eating quality of red meats is affected less than that of many other foods. Use refrozen foods as soon as possible to save as much of their quality as you can.

⚠ WARNING: This product contains chemicals known to the State of California to cause cancer and birth defects or other reproductive harm. **Wash hands after handling.**

SAVE THESE INSTRUCTIONS

⚠ DANGER: RISK OF CHILD ENTRAPMENT

Junked or abandoned refrigerators are dangerous, even if they are sitting for only a few days. If you are getting rid of your old refrigerator, please follow the instructions at right to help prevent accidents (child entrapment and suffocation).



BEFORE YOU THROW AWAY YOUR OLD REFRIGERATOR OR FREEZER:

- Take off the doors.
- Leave the shelves in place so that children may not easily climb inside.

CFC DISPOSAL

Your old refrigerator may have a cooling system that used CFCs (chlorofluorocarbons). CFCs are believed to harm stratospheric ozone.

If you are throwing away your old refrigerator, make sure the CFC refrigerant is removed for proper disposal by a qualified technician. If you intentionally release this CFC refrigerant, you may be subject to fines and imprisonment under provisions of environmental legislation.

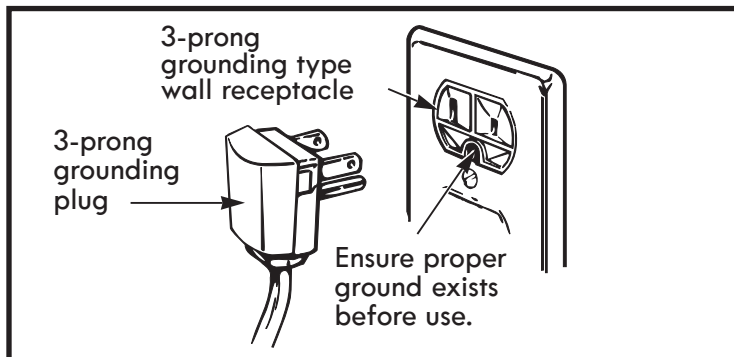
ELECTRICAL & GROUNDING REQUIREMENTS

IMPORTANT: Please read carefully.
TO CONNECT ELECTRICITY

⚠ WARNING

Electrical Shock Hazard

FOR PERSONAL SAFETY, this appliance must be properly grounded. Have the wall outlet and the circuit checked by a qualified electrician to make sure the outlet is properly grounded.



RECOMMENDED GROUNDING METHOD

The refrigerator should always be plugged into its own individual properly grounded electrical outlet rated for 115 Volts, 60 Hz, AC only, and fused at 15 or 20 amperes. This provides the best performance and also prevents overloading house wiring circuits which could cause a fire hazard from overheated wires. It is recommended that a separate circuit serving only this appliance be provided.

Use a receptacle that cannot be turned off with a switch or pull chain. Do not use an extension cord.

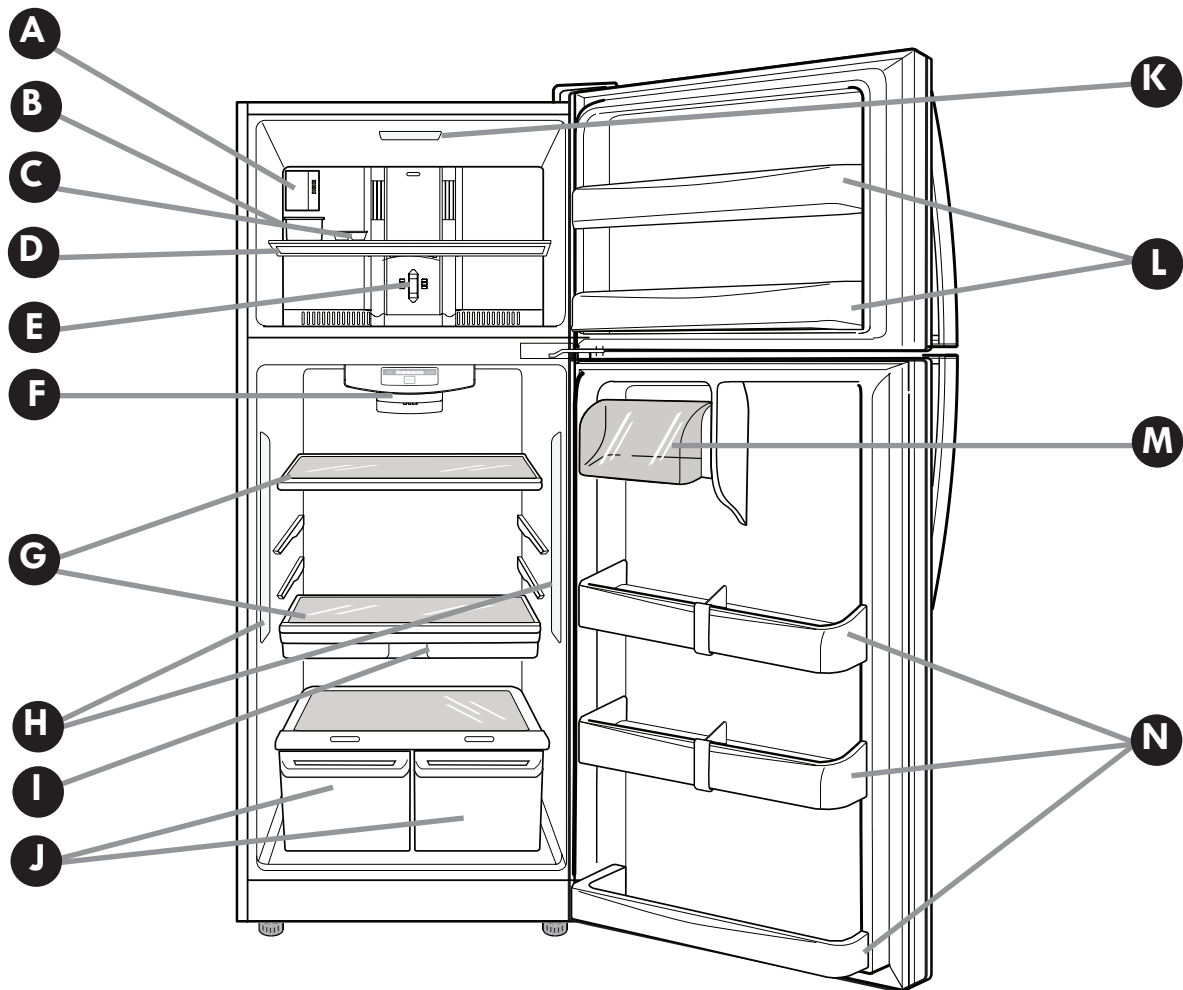
Where a standard two-prong wall outlet is encountered, it is your personal responsibility and obligation to have it replaced with a properly grounded three-prong wall outlet.

USE OF EXTENSION CORDS

Because of potential safety hazards under certain conditions, the use of an extension cord is not recommended. However, if you still elect to use an extension cord, it is absolutely necessary that it be a UL-listed (USA), 3-wire grounding type appliance extension cord having a grounding type plug and outlet, and that the electrical rating of the cord be 15 amperes (minimum) and 120 volts.

Use of an extension cord will increase the clearance needed for the back of the refrigerator.

PARTS AND FEATURES



Use this page to become more familiar with the parts and features of your refrigerator. Page references are included for your convenience.

NOTE: This guide covers several different models. The refrigerator you have purchased may have some or all of the items listed below. The locations of the features shown below may not match your model.

- | | |
|---|-----------------------------------|
| A Custom Cube Icemaker* | H Refrigerator Light (LED) |
| B Ice Bin | I Pantry Drawer |
| C Ice Tray* | J Crispers |
| D Freezer Shelf | K Freezer Light (LED) |
| E Freezer Temperature Control | L Freezer Door Bins |
| F Refrigerator Temperature Control | M Dairy Bin |
| G Shelves | N Refrigerator Door Bins |

* On some models

REFRIGERATOR INSTALLATION

WARNING

Excessive Weight Hazard:

Use two or more people to move and install the refrigerator. Failure to do so can result in back or other injury.

WARNING

Excessive Weight Hazard:

Your refrigerator is heavy. When moving the refrigerator for cleaning or service, be sure to protect the floor. Always pull the refrigerator straight out when moving it. Do not wiggle or walk the refrigerator when trying to move it, as floor damage could occur.

UNPACKING YOUR REFRIGERATOR

Remove tape and any temporary labels from your refrigerator before using. Do not remove any warning-type labels, the model and serial number label, or the Tech Sheet that is located under the front of the refrigerator, behind the base grille.

To remove any remaining tape or glue, rub the area briskly with your thumb. Tape or glue residue can also be easily removed by rubbing a small amount of liquid dish soap over the adhesive with your fingers. Wipe with warm water and dry.

Do not use sharp instruments, rubbing alcohol, flammable fluids, or abrasive cleaners to remove tape or glue. These products can damage the surface of your refrigerator.

Refrigerator shelves are installed in the shipping position. Please reinstall shelves according to your individual storage needs.

WARNING

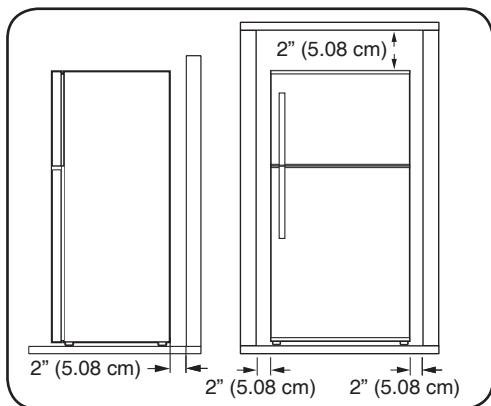
Explosion Hazard:

Keep flammable materials and vapors, such as gasoline, away from the refrigerator. Failure to do so can result in fire, explosion, or death.

REFRIGERATOR INSTALLATION

PRIOR TO USE

1. Clean your refrigerator thoroughly and wipe off all dust that accumulated during shipping.
2. Install accessories such as ice cube bin, drawers, shelves, etc., in their proper places. They are packed together to prevent possible damage during shipment.
3. Allow your refrigerator to run for at least two to three hours before putting food in it. Check the flow of cold air in the freezer compartment to ensure proper cooling. Your refrigerator is now ready for use.



INSTALLATION

The refrigerator should always be plugged into its own individual properly grounded electrical outlet rated for 115 Volts, 60 Hz, AC only, and fused at 15 or 20 amperes. This provides the best performance and also prevents overloading house wiring circuits which could cause a fire hazard from overheated wires. It is recommended that a separate circuit serving only this appliance be provided. (See the **LEVELING** and **DOOR ALIGNMENT** sections.)

! WARNING

Shock Hazard:

To reduce the risk of electric shock, do not install the refrigerator in a wet or damp area.

1. To avoid noise and vibration, the unit must be leveled and installed on a solidly constructed floor. If required, adjust the leveling legs to compensate for unevenness of the floor. The front should be slightly higher than the rear to aid in door closing. Leveling legs can be turned easily by tipping the cabinet slightly. Turn the leveling legs clockwise to raise the unit or counterclockwise to lower it. (See **LEVELING** and **DOOR ALIGNMENT** sections.)

NOTE: Installing on carpeting, soft tile surfaces, a platform or weakly supported structure is not recommended.

2. Install this appliance in an area where the temperature is between 55°F (13°C) and 110°F (43°C). If the temperature around the appliance is too low or high, cooling ability may be adversely affected.
3. Select a place where a water supply can be easily connected for the automatic icemaker.

NOTE: The water pressure must be between 20 and 120 psi on models without a water filter and between 40 and 120 psi on models with a water filter.

4. Too small of a distance from adjacent items may result in lowered freezing capability and increased electricity consumption charges. Allow at least 24 inches (61 cm) in front of the refrigerator to open the doors.
5. If a **reverse osmosis water filtration system** is connected to your cold water supply, the water pressure to the reverse osmosis system needs to be a minimum of 40 to 60 psi (2.8 kgf/cm² ~ 4.2 kgf/cm², less than 2.0~3.0 sec. to fill a cup of 7 oz capacity).

Please refer to Connecting the Water Line section for more information on a reverse osmosis filtration system.

REMOVING AND REPLACING THE DOORS

⚠ WARNING

Excessive Weight Hazard:

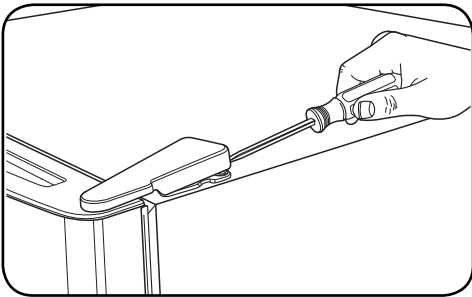
Use two or more people to remove and install the refrigerator doors. Failure to do so can result in back or other injury.

TOOLS NEEDED

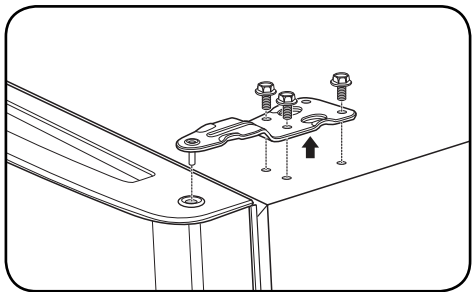
- 10mm or 13/32 -inch socket wrench
- (with 2-inch extension for bottom door hinge)
- No. 2 Phillips head screwdriver
- Flat-head screwdriver for prying
- Adjustable wrench

REMOVING THE FREEZER DOOR

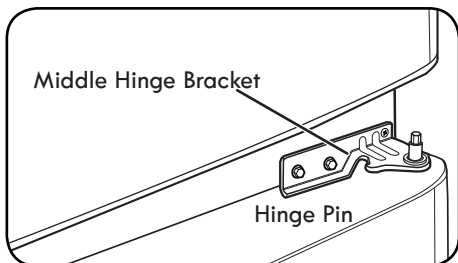
Remove the top-hinge cover by gently prying it with a flat head screwdriver.



Using either a 10 mm or 13/32 in. socket wrench, remove the three bolts and lift off the top hinge. Set parts aside.



Carefully lift up the freezer door. Place the door on a non-scratching surface.



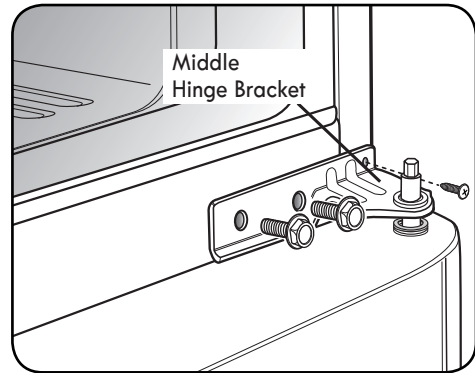
⚠ WARNING

Electrical Shock Hazard

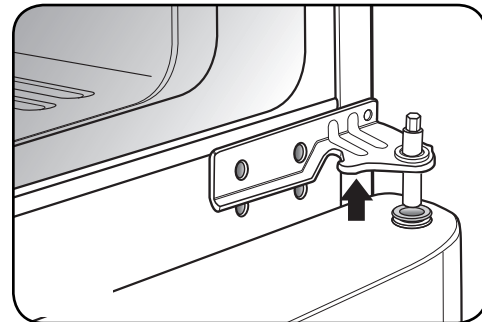
- Disconnect the electrical supply to the refrigerator before installing. Failure to do so could result in serious injury or death.
- Do not put hands, feet or other objects into the air vents, base grille, or bottom of the refrigerator. You may be injured or receive an electrical shock.

REMOVING THE REFRIGERATOR DOOR

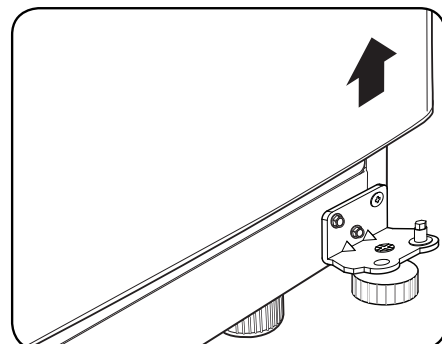
Loosen and remove the two bolts using a phillips head screwdriver.



Remove the middle hinge bracket.



Carefully lift up the door. Place the door on a non-scratching surface.

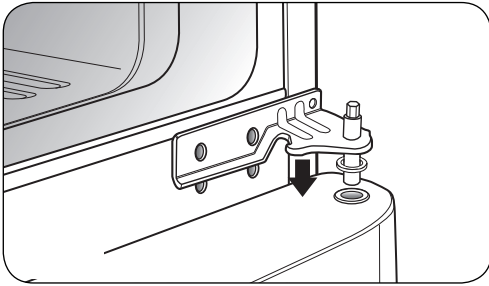


REFRIGERATOR INSTALLATION

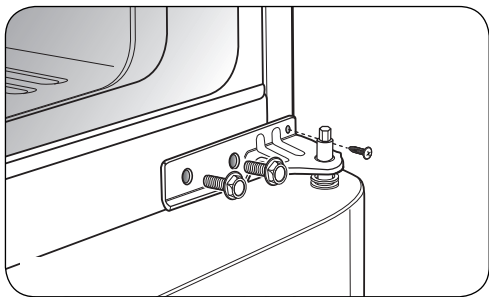
REPLACING THE REFRIGERATOR DOOR

Lower the door onto the bottom hinge pin.

Place the hinge pin of the middle hinge bracket inside of the hinge pin insert on top of the door. Hold the door in place and line the middle hinge bracket with the holes in the refrigerator housing.

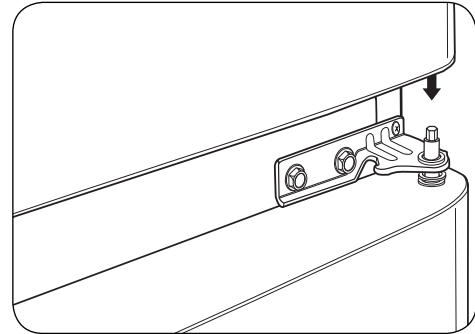


Use the two bolts and phillips screwdriver to refasten the middle hinge bracket and door to the refrigerator housing.

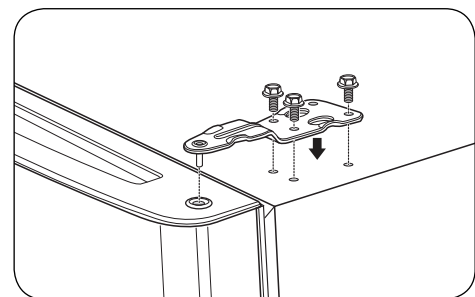


REPLACING THE FREEZER DOOR

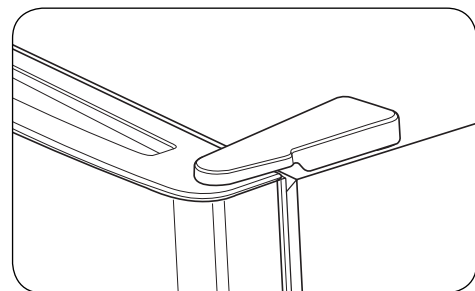
Set the freezer door onto the Middle Hinge pin.



Place the upper hinge pin in the top of the freezer door and line up the upper hinge with the holes on top of the refrigerator. Use the three bolts to replace the hinge.



Carefully force-fit the top hinge cover back into place over the hinge.



REVERSING THE DOORS

⚠ WARNING

ELECTRICAL SHOCK HAZARD

Before you begin, either unplug the refrigerator or turn off power at the circuit breaker or fuse box. Failure to do so could result in death or serious injury.

⚠ CAUTION

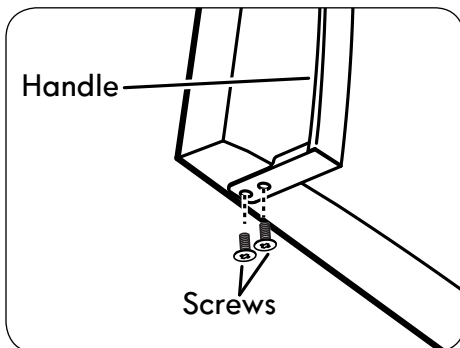
Remove food and any Adjustable Shelves or Door Bins from doors. Failure to do so could result in serious injury.

TOOLS NEEDED

- 10mm or 13/32 inch socket wrench (with 2-inch extension for bottom door hinge)
- No. 2 Phillips head screwdriver
- 1/4 inch socket wrench
- Flat-head screwdriver for prying
- Adjustable wrench
- 3/32 - inch hex wrench

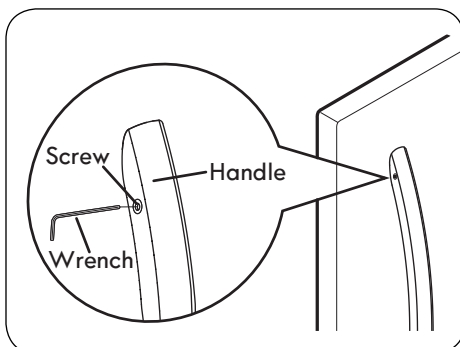
REVERSING THE FREEZER DOOR

Remove the two screws located on the bottom part of the freezer handle with a screwdriver.

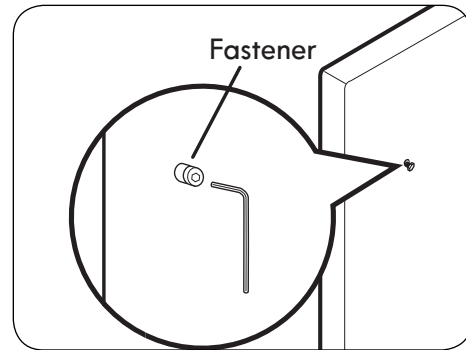


Loosen the upper set screw with a 3/32" hex wrench and remove the handle. The freezer handle is going to be the refrigerator handle when reversing the doors.

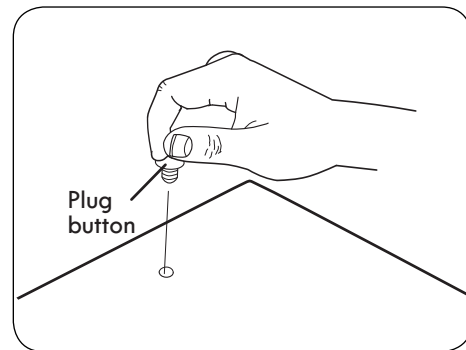
NOTE: Grasp the handle tightly so that it does not fall when the screws are removed.



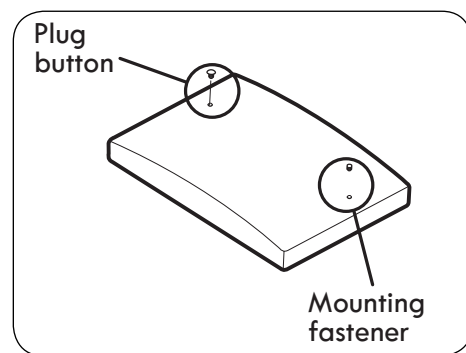
Loosen the handle mounting fastener with a 1/4" hex wrench.



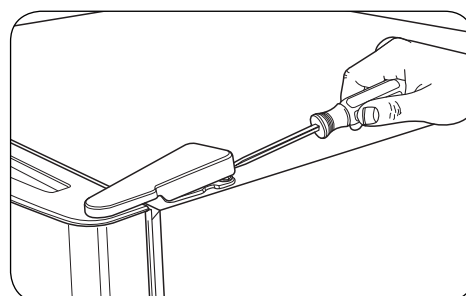
Unscrew the plug button with your fingers by rotating it counterclockwise.



Install the plug button on the left side and the handle mounting fastener on the right side.

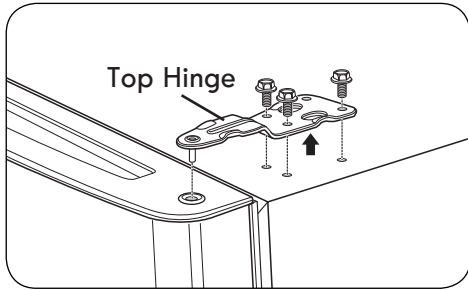


Gently pry off the top hinge cover with a flat head screwdriver and remove.

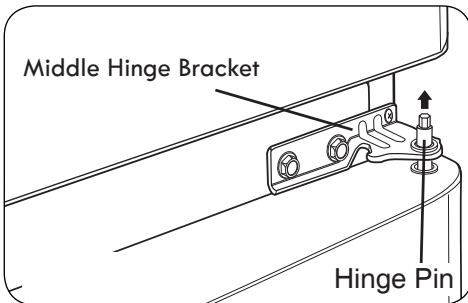


REFRIGERATOR INSTALLATION

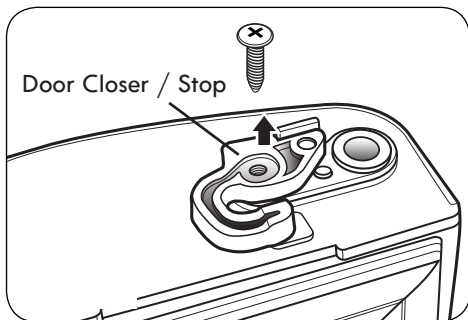
Using 10mm or $\frac{13}{32}$ inch socket wrench, remove the three bolts and lift off the top hinge. Set parts aside.



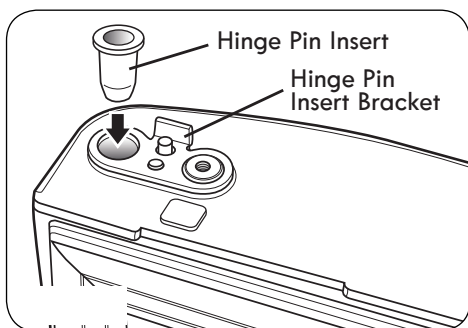
Slightly lift up the refrigerator door and remove it.



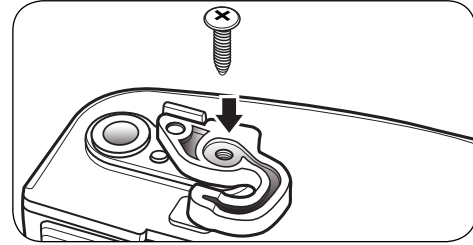
Turn the freezer door upside down on a non-scratch surface. Loosen the screw to remove the Door Closer/Stop and Hinge Pin Insert.



Move the Hinge Pin Insert Bracket to the other side of the door, keeping the same orientation, and move the Hinge Pin Insert into the hole on the left side of the bracket.

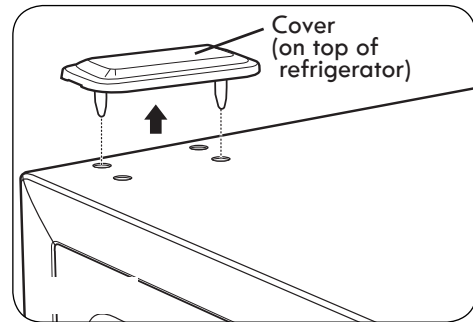


Reverse the Door Closer/Stop by flipping it over. Place it on top of the Hinge Pin Insert Bracket, and tighten both down with the screw.



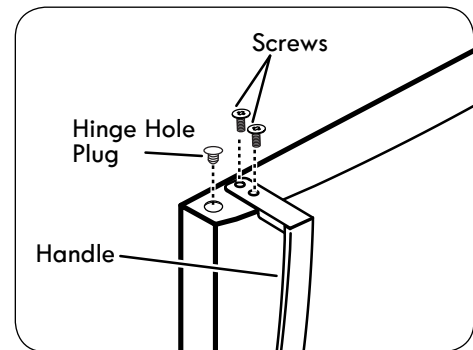
Pry off the cover on the top left side of the refrigerator to uncover the screw holes.

Set the freezer door and top hinge parts to the side and remove the refrigerator door.



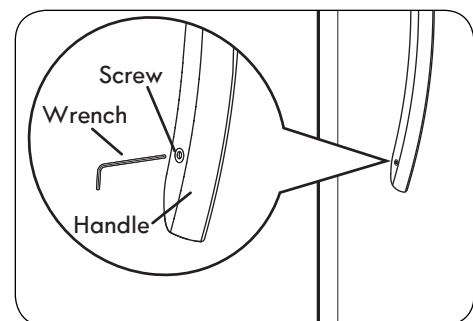
REVERSING THE REFRIGERATOR DOOR

Remove the Hinge Hole Plug and the two screws located in the upper part of refrigerator handle with a screwdriver.

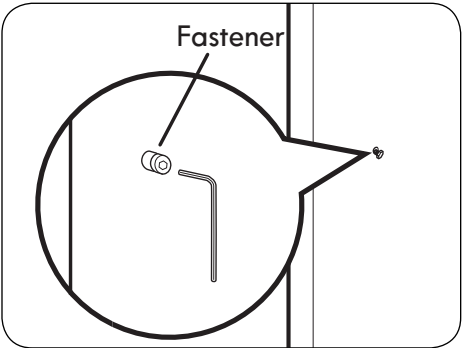


Loosen the upper set screw with a $\frac{3}{32}$ " hex wrench and remove the handle. The refrigerator handle is going to be the freezer handle when reversing doors.

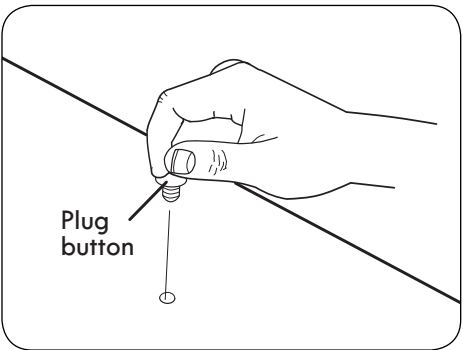
NOTE: Grasp the handle tightly so that it does not fall when the screws are removed.



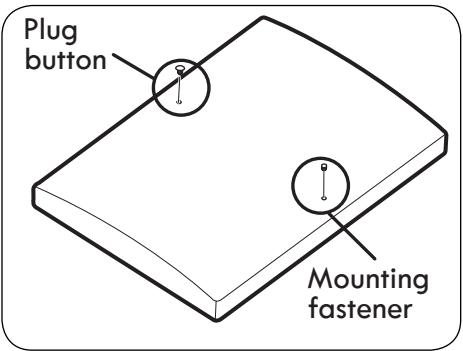
Loosen the handle mounting fastener with a 1/4" hex wrench.



Unscrew the plug button with your fingers by rotating it counterclockwise; it will loosen and fall free.

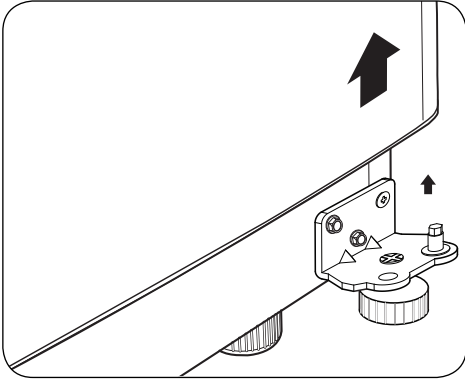
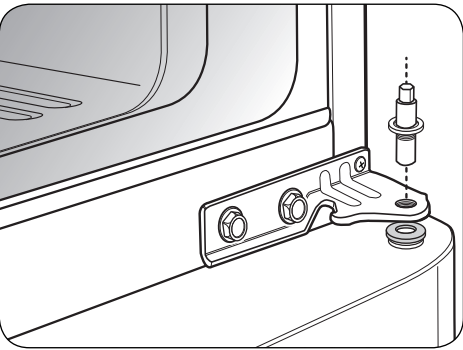


Install the plug button on the left side and install the handle mounting fastener on the right side.

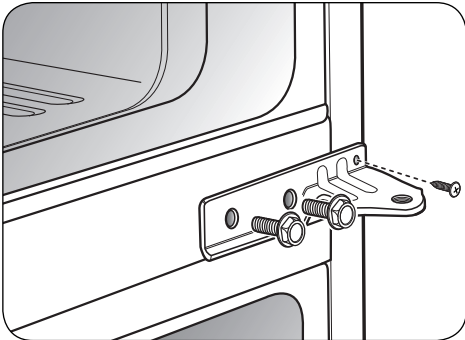


Using a 1/4" socket wrench, loosen and remove Hinge Pin from the Middle Hinge Bracket. Remove washer underneath the middle hinge and set aside.

NOTE: At this point the door will be loose. Slightly lift the door and remove it.

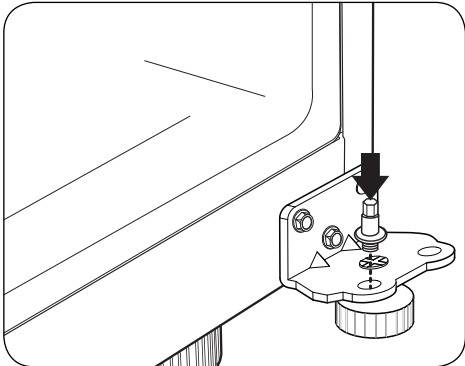
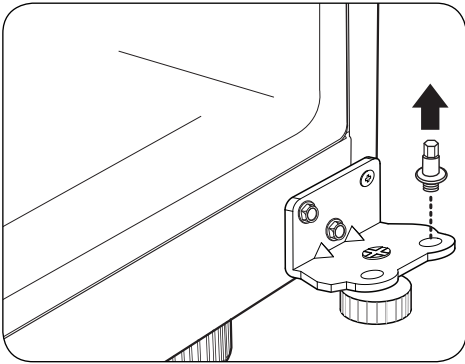


Loosen and remove the two bolts and use the Phillips head screwdriver to remove the Middle Hinge Bracket from the refrigerator housing. Set parts aside.



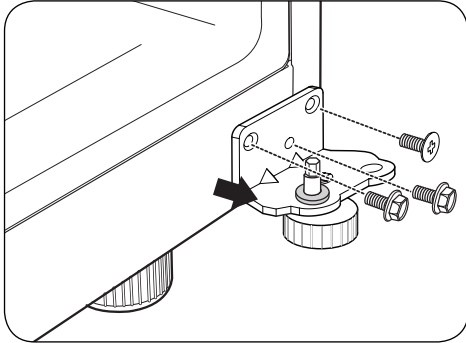
Remove the washer from the Bottom Hinge Pin. Using a 1/4" socket wrench, loosen and remove the Hinge Pin from the Bottom Hinge. Reattach the Hinge Pin to the opposite side of the hinge.

NOTE: This is easier to do while the hinge is still attached.

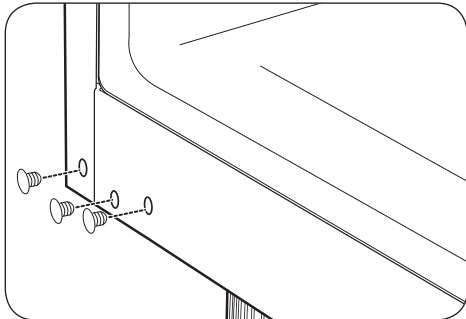


REFRIGERATOR INSTALLATION

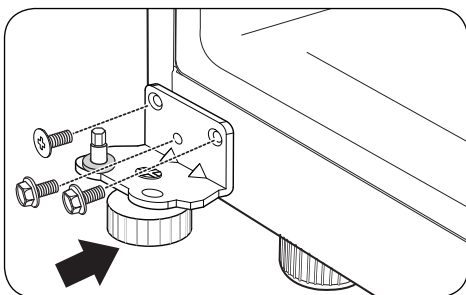
Using a $1\frac{3}{32}$ " socket wrench with a 2-Inch extension and screwdriver, loosen the two bolts and one screw, and remove the Bottom Hinge from right side of the housing.



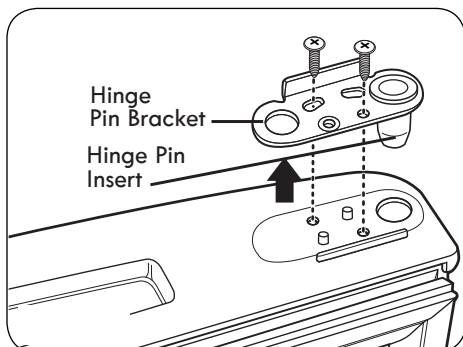
Remove the Decorative Caps on the bottom of the refrigerator housing. You will need these holes for the Bottom Hinge.



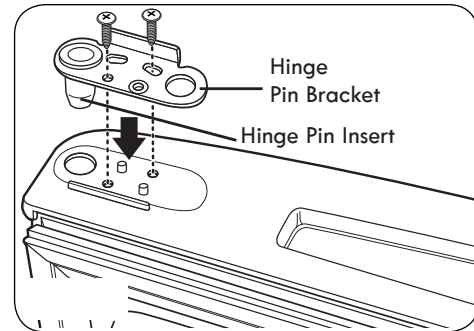
Move the Bottom Hinge to the left side of the housing, keeping the same orientation, and reattach with the two bolts and one screw. The flat screw must be placed on the exterior side of the hinge. Move the Decorative Bolt to the hole on the lower right side of the housing.



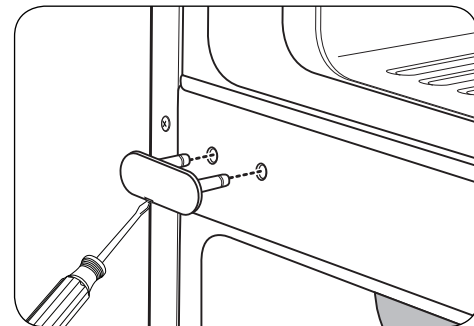
Turn the refrigerator door upside down on a non-scratching surface. Loosen the two screws to remove the Bottom Hinge Pin Insert Bracket with the Hinge Pin Insert.



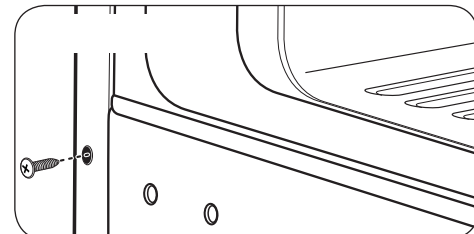
Take out the Hinge Pin Insert and move the Bracket to the other side of the door, keeping the same orientation. Place the Hinge Pin Insert into the left side of the bracket. Tighten the Hinge Pin Bracket to the door.



With a flat-head screwdriver, carefully pry off and remove the cover over the screw holes on the left side of refrigerator housing.

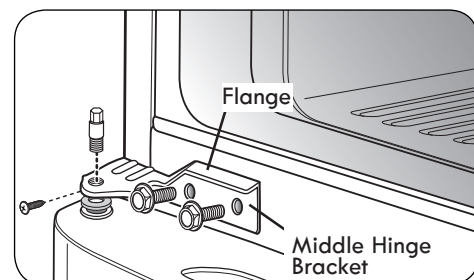


Remove the outer lower Decorative Screw from the housing at the area between the freezer and refrigerator doors. (You will need this hole for the Middle Hinge Bracket.)

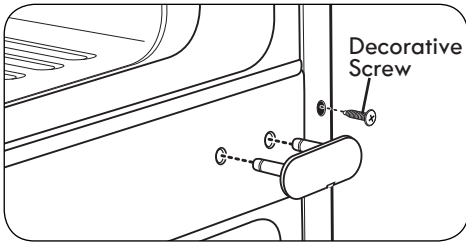


Flip the Middle Hinge Bracket, (flange will now be on top) position it on left side of the refrigerator and reattach with two bolts and a Phillips screwdriver. Place the refrigerator door down over the pin on the bottom hinge. Place the washer between the refrigerator door and middle hinge and re-attach Hinge Pin to Hinge Bracket with a $\frac{1}{4}$ " socket wrench.

NOTE: Bracket has been flipped, but Hinge Pin stays in the same orientation with its hexagonal end facing upward.

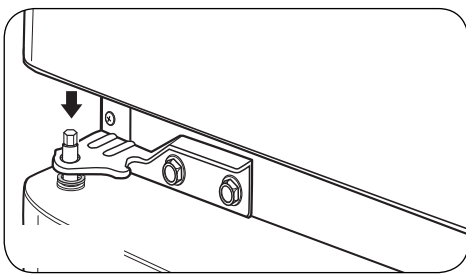


Insert the Decorative Screw into the outer hole on the right side of the housing. Attach cover on the right side. Cover is force-fitted.

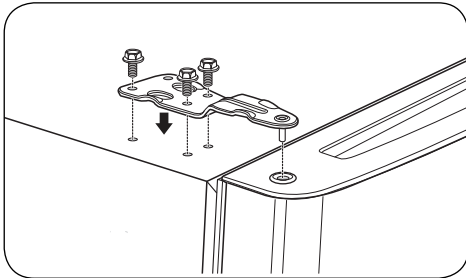


REATTACHING THE DOORS

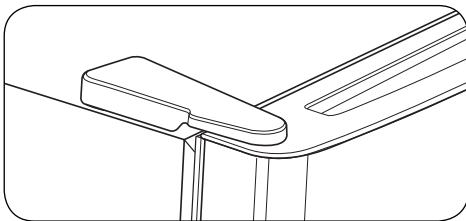
Place the freezer door down over the Hinge Pin on the Middle Hinge Pin Bracket.



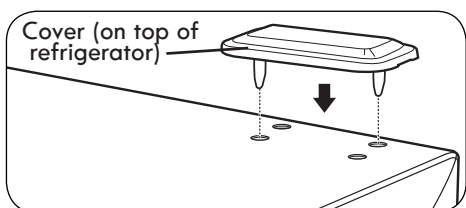
Place the Upper Hinge Pin on top of the freezer door and line up the Upper Hinge with holes on top of the refrigerator. Use the three bolts to replace the Hinge.



Tighten the bolts. Force-fit Top Hinge Cover over Top Hinge.

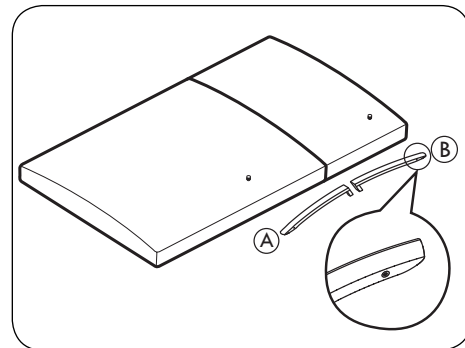
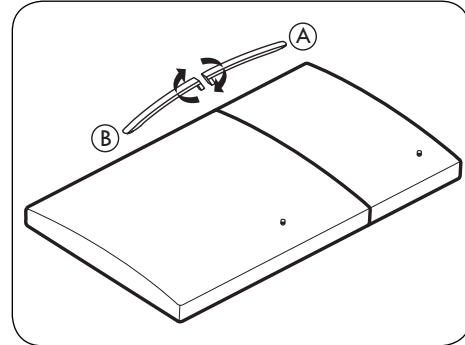


Replace cover on the top left side of the refrigerator to the right top to cover the holes. Cover is also force-fitted.

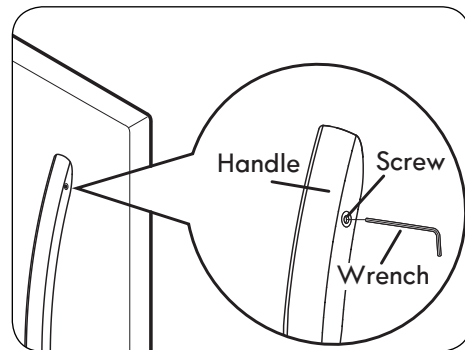


Rotate the handles. The freezer handle will move to the refrigerator door, and the refrigerator handle will move to freezer door.

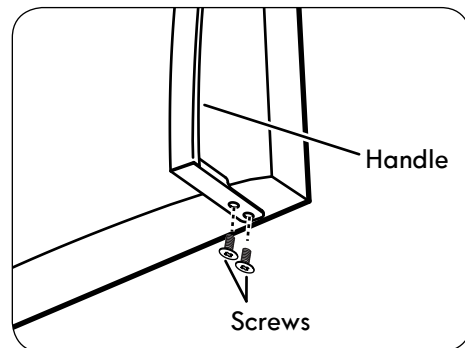
NOTE: Make sure that the handle screw holes are facing the right side of the door.



Install the Freezer handle by adjusting the handle footprints to fit mounting fasteners. Tighten the set screws with a 3/32" hex wrench.

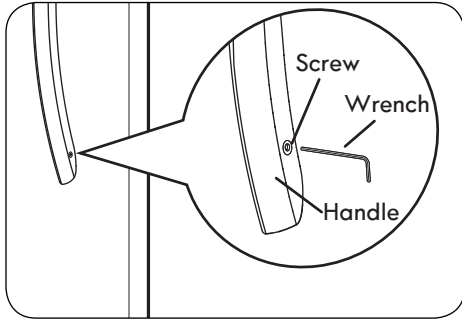


Install the two screws under the handle with a screwdriver.

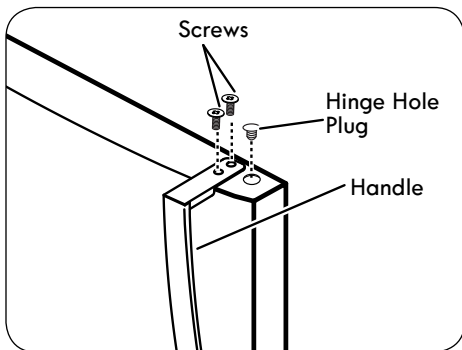


REFRIGERATOR INSTALLATION

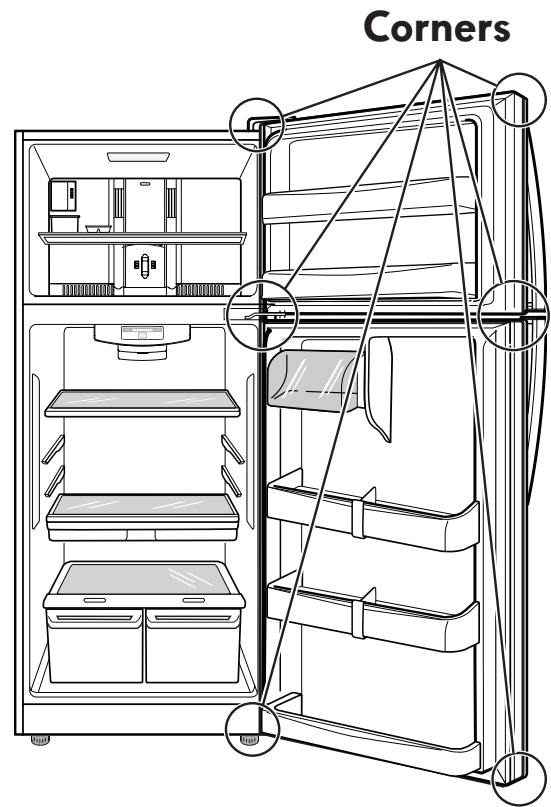
Install the refrigerator handle by adjusting the handle footprints to fit the mounting fasteners. Tighten the set screws with a 3/32" hex wrench.



Install the Hinge Hole Plug and the two screws on the top of the handle with a screwdriver.



After switching the doors, make sure that the corners of the Door Gaskets are not folded over. To ensure a good seal, apply a small amount of silicon grease on the corners of gaskets.



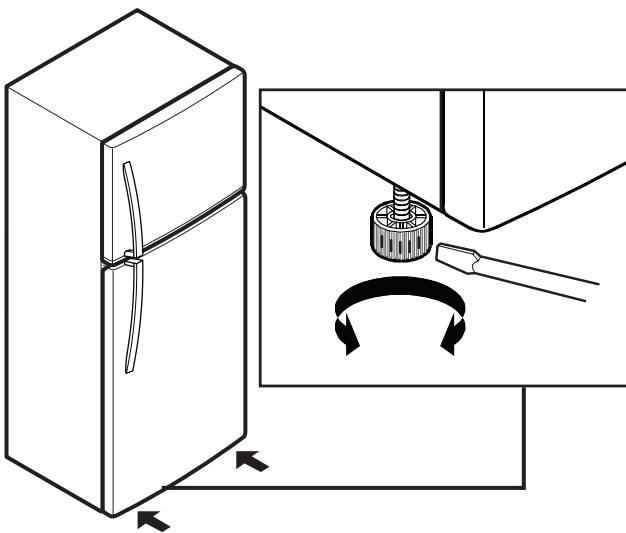
LEVELING

To avoid vibration, the unit must be leveled. If necessary, adjust the leveling legs to compensate for unevenness of the floor. The front should be slightly higher than the rear to aid in door closing.

Your refrigerator has two Front Leveling Screws - one on the right and one on the left. If your refrigerator seems unsteady or you want the doors to close more easily, adjust the refrigerator's tilt using the instruction below:

1. Plug refrigerator power cord into a 3-prong grounded outlet. Move the refrigerator into its final position.
2. Insert a flat screwdriver in slots to adjust the Leveling Screws. Turn the leveling screw clockwise to raise the side of the refrigerator or counterclockwise to lower it. It may take several turns of the leveling screw to adjust the tilt of the refrigerator.

NOTE: Having some push against the top of the refrigerator takes some weight off of the leveling screws. This make it easier to adjust the screws.



3. Open both doors again and check to make sure that they close easily. If not, tilt the refrigerator slightly more to the rear by turning both leveling screws clockwise. It may take several more turns, and you should turn both leveling screws the same amount.

DOOR ALIGNMENT

If the space between your doors is uneven, follow the instructions below to align the doors.

1. Gently pry off the refrigerator door Top Hinge Cover with a flat head screwdriver and remove. Loosen the Top Hinge Bolts using a 10mm or $13/32$ " Socket wrench or open-end wrench.
2. Have a second person hold the refrigerator door in its proper position.
3. Replace the Top Hinge Cover.

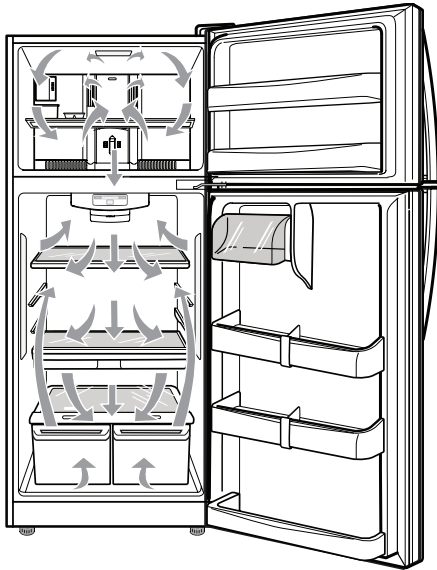
USING YOUR REFRIGERATOR

SETTING THE CONTROLS

AIRFLOW

In order to ensure proper temperatures, air must flow between the refrigerator and freezer sections. As shown in the illustration below, air enters at the top of the freezer and circulates down. Air enters through the top vent of the refrigerator, then circulates and exits at the bottom, where it returns to the freezer.

When loading your refrigerator, make sure that items do not block the air vents. Items that block air vents will restrict air flow.

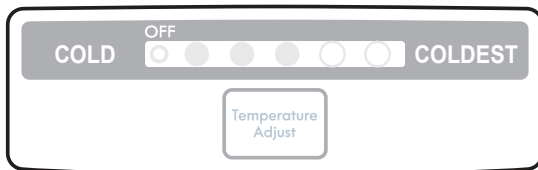


TEMPERATURE

When changing control settings, wait 24 hours before making additional adjustments. The controls are set correctly when milk or juice is as cold as you would like and when ice cream is firm. If the temperature in either compartment is too cold or too warm, change the setting one increment at a time. Wait 24 hours for the change to stabilize before adjusting again.

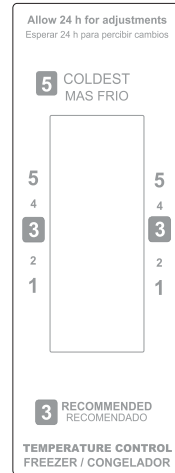
TEMPERATURE ADJUST

Press the TEMPERATURE ADJUST button repeatedly to select one of the five temperature levels between COLD and COLDEST.



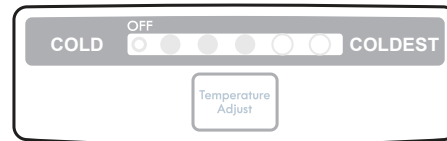
FREEZER CONTROL

Turn the temperature dial up or down to adjust the temperature. Turn the dial up for a colder temperature or down for a warmer temperature.



Demo Mode (For Store Use Only)

Demo Mode disables all cooling in the refrigerator and freezer sections to conserve energy while on display in a retail store. When activated, OFF will display on the control panel.



To deactivate:

Press the TEMPERATURE ADJUST button until your desired temperature setting is reached. The OFF light will turn off once the Demo Mode is deactivated.

FOOD STORAGE GUIDE

Wrap or store food in the refrigerator in airtight and moisture-proof material unless otherwise noted. This prevents food odor and taste transfer throughout the refrigerator. For dated products, check date code to ensure freshness.

Items	How to
Butter or margarine	▶ Keep opened butter in a covered dish or closed compartment. When storing an extra supply, wrap in freezer packaging and freeze.
Cheese	▶ Store in the original wrapping until you are ready to use it. Once opened, rewrap tightly in plastic wrap or aluminum foil.
Milk	▶ Wipe milk cartons. For best storage, place milk on interior shelf.
Eggs	▶ Store in original carton on interior shelf, not on door shelf.
Fruit	▶ Wash, let dry, and store in refrigerator in plastic bags or in the crisper. Do not wash or hull fruit until you are ready to use it. Sort and keep fruit in its original container, in a crisper, or store in a completely closed paper bag on a refrigerator shelf.
Leafy vegetables	▶ Remove store wrapping and trim or tear off bruised and discolored areas. Wash in cold water and drain. Place in plastic bag or plastic container and store in crisper.
Vegetables with skins (carrots, peppers)	▶ Place in plastic bags or plastic container and store in crisper.
Fish	▶ Use fresh fish and shellfish the same day purchased.
Leftovers	▶ Cover leftovers with plastic wrap, aluminum foil, or plastic containers with tight lids.

STORING FROZEN FOOD

NOTE: Check a freezer guide or a reliable cookbook for further information about preparing food for freezing or food storage times.

Freezing

Your freezer will not quick-freeze a large quantity of food. Do not put more unfrozen food into the freezer than will freeze within 24 hours (no more than 2 to 3 lbs. of food per cubic foot of freezer space). Leave enough space in the freezer for air to circulate around packages. Be careful to leave enough room at the front so the door can close tightly.

Storage times will vary according to the quality and type of food, the type of packaging or wrap used (how airtight and moisture-proof) and the storage temperature. Ice crystals inside a sealed package are normal. This simply means that moisture in the food and air inside the package have condensed, creating ice crystals.

NOTE: Allow hot foods to cool at room temperature for 30 minutes, then package and freeze. Cooling hot foods before freezing saves energy.

Packaging

Successful freezing depends on correct packaging. When you close and seal the package, it must not allow air or moisture in or out. If it does, you could have food odor and taste transfer throughout the refrigerator and could also dry out frozen food.

Packaging recommendations:

- Rigid plastic containers with tight-fitting lids
- Straight-sided canning/freezing jars
- Heavy-duty aluminum foil
- Plastic-coated paper
- Non-permeable plastic wraps
- Specified freezer-grade self-sealing plastic bags

Follow package or container instructions for proper freezing methods.

Do not use

- Bread wrappers
- Non-polyethylene plastic containers
- Containers without tight lids
- Wax paper or wax-coated freezer wrap
- Thin, semi-permeable wrap

⚠ CAUTION: Do not keep beverage cans or plastic food containers in the freezer compartment. They may break or burst if they freeze.

USING YOUR REFRIGERATOR

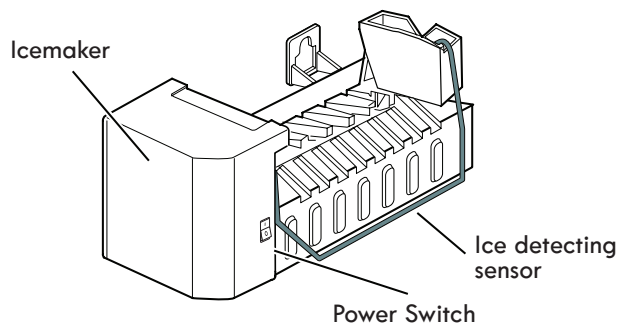
AUTOMATIC ICEMAKER (on some models)

The icemaker will produce approximately 100-130 cubes in a 24-hour period, depending on freezer compartment temperature, room temperature, number of door openings and other operating conditions.

- It takes about 12 to 24 hours for a newly installed refrigerator to begin making ice. Wait 72 hours for full ice production to occur.
- Ice making stops when the bin fills to the lever of the feeler arm.
- To turn off the automatic icemaker, set the icemaker switch to **OFF (O)**. To turn on the automatic icemaker, set the switch to **ON (I)**.
- The water pressure must be between 20 and 120 psi on models without a water filter and between 40 and 120 psi on models with a water filter to produce the normal amount and size of ice cubes.

⚠ CAUTION

- Throw away the first few batches of ice (about 24 cubes). This is also necessary if the refrigerator has not been used for a long time.
- Never store beverage cans or other items in the ice bin for the purpose of rapid cooling. Doing so may damage the icemaker or the containers may burst.
- Never use thin crystal glass or crockery to collect ice. Such containers may chip or break resulting in glass fragments in the ice.



WHEN YOU SHOULD SET THE ICEMAKER POWER SWITCH TO OFF (O)

- When the water supply will be shut off for several hours.
- When the ice bin is removed for more than one or two minutes.
- When the refrigerator will not be used for several days.

NOTE: The ice bin should be emptied when the icemaker ON/OFF switch is turned to the **OFF** position.

⚠ WARNING

Personal Injury Hazard

DO NOT place fingers or hands on the automatic ice making mechanism while the refrigerator is plugged in.

NORMAL SOUNDS YOU MAY HEAR

- The icemaker water valve will buzz as the icemaker fills with water. If the power switch is in the **ON (I)** position, it will buzz even if it has not yet been hooked up to water. To stop the buzzing, move the power switch to **OFF (O)**.
NOTE: Keeping the power switch in the **ON (I)** position before the water line is connected can damage the icemaker.
- You will hear the sound of cubes dropping into the bin and water running in the pipes as the icemaker refills.

PREPARING FOR VACATION

Set the icemaker power switch to **OFF (O)** and shut off the water supply to the refrigerator.

NOTE: The ice bin should be emptied anytime the icemaker ON/OFF switch is turned to the **OFF (O)** position.

If the ambient temperature will drop below freezing, have a qualified technician drain the water supply system to prevent serious property damage due to flooding caused by ruptured water lines or connections.

REFRIGERATOR SHELVES

The glass shelves in your refrigerator are adjustable to meet your individual storage needs.

Adjusting the shelves to fit different heights of items will make finding the exact item you want easier. Doing so will also reduce the amount of time the refrigerator door is open which will save energy.

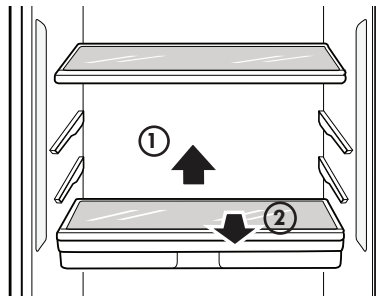
IMPORTANT: Do not clean glass shelves with warm water while they are cold. Shelves may break if exposed to sudden temperature changes or impact.

NOTE: Glass shelves are heavy. Use special care when removing them.

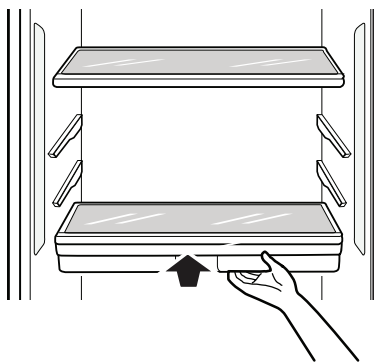
Adjusting Shelves

Remove shelves from the shipping position and replace shelves in the position you want.

To remove a shelf—Tilt up the front of the shelf in the direction of ① and lift it in the direction of ②. Pull the shelf out.



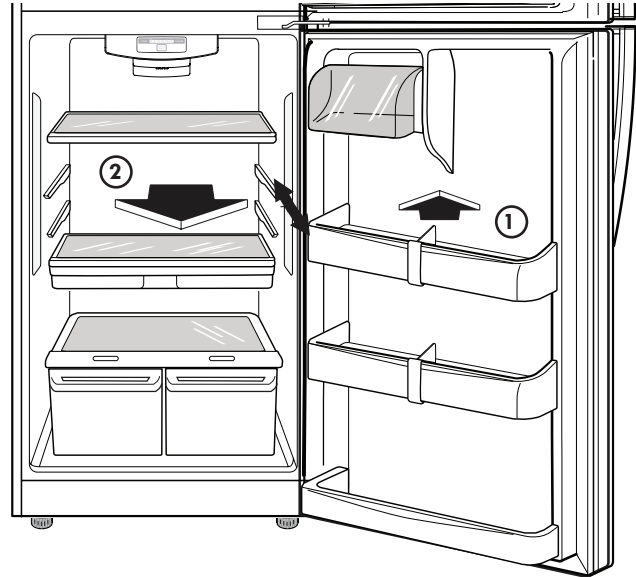
To reinstall a shelf—Slide the shelf into the guides until it stops.



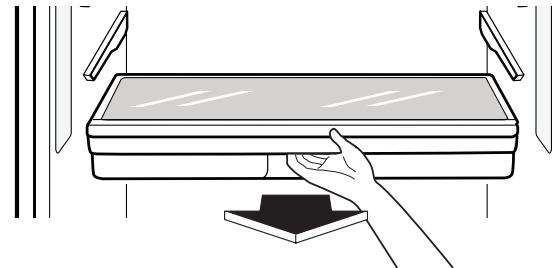
PANTRY DRAWER (on some models)

To remove the Pantry Drawer:

Remove the door bins ① before removing or replacing the pantry drawer ②.



Grasp the drawer handle and pull it forward to the drawer stop. Lift up and pull out.



To replace the Pantry Drawer:

Slide the drawer back all the way past the drawer stop.

ICE TRAY (on some models)

Icemaking

- Pour water to the level indicated in the picture. Do not overfill with water or ice cubes will be difficult to remove
- For quick freeze, adjust the freezer dial to 3.



Twist the ice tray to remove the ice cubes

- Do not bend the ice tray. Doing so may result in damage to the tray.
- To remove ice cubes easily, pour water on the back of the tray or soak it in water before removing ice cubes.



USING YOUR REFRIGERATOR

HUMIDITY CONTROLLED CRISPERS

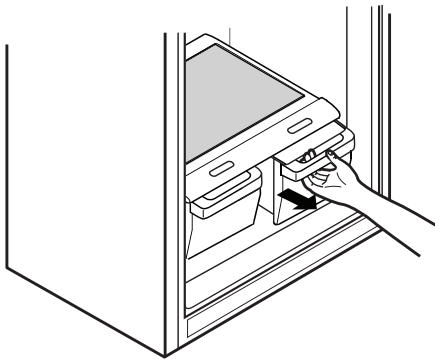
The crispers provide fresher tasting fruit and vegetables by letting you easily control humidity inside the drawer.

You can control the amount of humidity in the moisture-sealed crispers by adjusting the control to any setting between **VEGETABLES** and **FRUIT**.

- **VEGETABLES** keeps moist air in the crisper for best storage of fresh, leafy vegetables.
- **FRUIT** lets moist air out of the crisper for best storage of fruit.

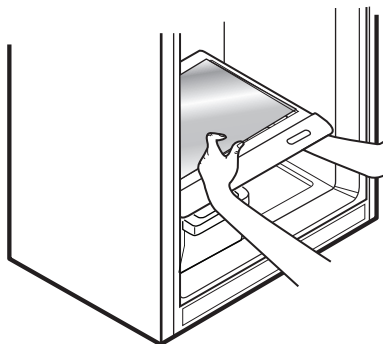
To remove and install the crisper drawers:

1. Pull the crisper drawer out to the drawer stop.
2. Lift the front of the crisper up, then pull it straight out.
3. To install, slightly tilt up the front, insert the drawer into the frame and push it back into place, past the drawer stop.



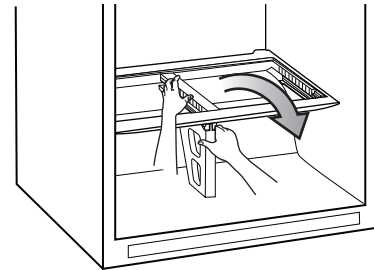
To remove the crisper glass:

1. Remove the crisper drawers (as described above).
2. Reach in under the glass and lift up.
3. Gently push the glass up and out.



To remove the crisper cover:

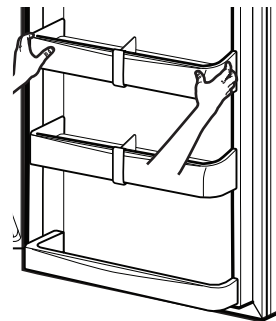
1. Remove both crisper drawers.
2. Remove the crisper glass.
3. While holding the support and crisper cover, pull up and out.



DOOR BINS

The door bins are removable for easy cleaning and adjustment.

1. To remove the bin, simply lift the bin up and pull straight out.

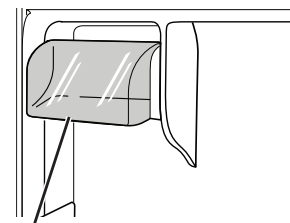


2. To replace the bin, slide it in above the desired support and push down until it snaps into place.

NOTE: Some bins may vary in appearance and will only fit in one location.

DAIRY BIN

1. To remove the Dairy Bin, simply lift up and pull out.
2. To replace the Dairy Bin, slide it in above the desired support slots and push down until it stops.



CARE AND CLEANING

! WARNING



Explosion Hazard

Use non-flammable cleaner. Failure to do so can result in fire, explosion, or death.

Both the refrigerator and freezer sections defrost automatically; however, clean both sections about once a month to prevent odors. Wipe up spills immediately.

GENERAL CLEANING TIPS

- Unplug refrigerator or disconnect power.
- Remove all removable parts, such as shelves, crispers, etc. Refer to sections in *Using Your Refrigerator* for removal instructions.
- Use a clean sponge or soft cloth and a mild detergent in warm water. Do not use abrasive or harsh cleaners.
- Hand wash, rinse and dry all surfaces thoroughly.
- Plug in refrigerator or reconnect power.

OUTSIDE

Waxing external painted metal surfaces helps provide rust protection. Do not wax plastic parts. Wax painted metal surfaces at least twice a year using appliance wax (or auto paste wax). Apply wax with a clean, soft cloth.

For products with a stainless steel exterior, use a clean sponge or soft cloth and a mild detergent in warm water. Do not use abrasive or harsh cleaners. Dry thoroughly with a soft cloth.

INSIDE WALLS (allow freezer to warm up so the cloth will not stick)

To help remove odors, you can wash the inside of the refrigerator with a mixture of baking soda and warm water. Mix 2 tablespoons of baking soda to 1 quart of water (26 g soda to 1 liter water.) Be sure the baking soda is completely dissolved so it does not scratch the surfaces of the refrigerator.

! CAUTION: While cleaning the inside, do not spray water.

DOOR LINERS AND GASKETS

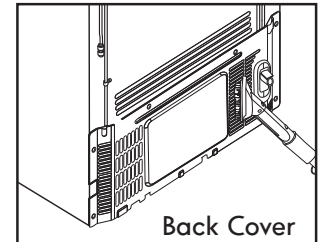
Use a clean sponge or soft cloth and a mild detergent in warm water. Do not use cleaning waxes, concentrated detergents, bleaches, or cleaners containing petroleum on plastic refrigerator parts.

PLASTIC PARTS (Covers and Panels)

Use a clean sponge or soft cloth and a mild detergent in warm water. Do not use window sprays, abrasive cleansers, or flammable fluids. These can scratch or damage the material.

CONDENSER COILS

Use a vacuum cleaner with an attachment to clean the condenser cover and vents. Do not remove the panel covering the condenser coil area.



LIGHT REPLACEMENT

The refrigerator and freezer compartment lights are LED interior lighting, and service should be performed by a qualified technician.

! WARNING

Electrical Shock Hazard

Before replacing a light in the refrigerator or freezer compartment, either unplug the refrigerator or turn off power at the circuit breaker or fuse box.

POWER INTERRUPTIONS

1. If the power will be out for 24 hours or less, keep all refrigerator doors closed to help foods stay cold and frozen.
2. If the power will be out for more than 24 hours, remove all frozen food and store it in a frozen food locker.

WHEN YOU GO ON VACATION

If you choose to leave the refrigerator on while you are away, follow these steps to prepare your refrigerator before you leave.

1. Use up any perishables and freeze other items.
2. Turn off the icemaker and empty the ice bin.

If you choose to turn the refrigerator off before you leave, follow these steps.

1. Remove all food from the refrigerator.
2. Depending on your model, set the thermostat control (refrigerator control) to OFF. See the **Setting the Controls** section.
3. Clean the refrigerator, wipe it and dry well.
4. Tape rubber or wood blocks to the tops of both doors to prop them open far enough for air to get in. This stops odor and mold from building up.

WHEN YOU MOVE

When you are moving your refrigerator to a new home, follow these steps to prepare it for the move.

1. Remove all food from the refrigerator and store it in a frozen food locker.
2. Unplug the refrigerator.
3. Clean, wipe and dry thoroughly.
4. Take out all removable parts, wrap them well and tape them together so they do not shift and rattle during the move. Refer to the **Using your Refrigerator** section for removable instructions.
5. Depending on the model, raise the front of the refrigerator so it rolls easier OR screw in the leveling legs all the way so they do not scrape the floor. See the **Door Closing** section.
6. Tape the doors shut and tape the power cord to the refrigerator cabinet.

When you get to your new home, put everything back and refer to the **Refrigerator Installation** section for preparation instructions.

CONNECTING THE WATER LINE

BEFORE YOU BEGIN

This water line installation is not covered by the refrigerator warranty. Follow these instructions carefully to minimize the risk of expensive water damage.

Water hammer (water banging in the pipes) in house plumbing can cause damage to refrigerator parts and can lead to water leakage or flooding. Call a qualified plumber to correct water hammer before installing the water supply line to the refrigerator.

To prevent burns and product damage, only connect the refrigerator water line to a cold water supply.

If you use your refrigerator before connecting the water line, make sure the icemaker power switch is in the **OFF (O)** position.

Do not install the icemaker tubing in areas where temperatures fall below freezing.

WATER PRESSURE

A cold water supply. The water pressure must be between 20 and 120 psi on models without a water filter and between 40 and 120 psi on models with a water filter.

If a **reverse osmosis water filtration system** is connected to your cold water supply, this water line installation is not covered by the refrigerator warranty. Follow the following instructions carefully to minimize the risk of expensive water damage.

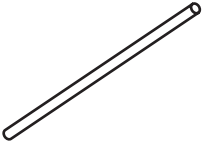
If a **reverse osmosis water filtration system** is connected to your cold water supply, the water pressure to the reverse osmosis system needs to be a minimum of 40 to 60 psi (2.8 kgf/cm² ~ 4.2 kgf/cm²) which is the pressure required to fill a 7 oz cup in 2 - 3 seconds.

If the water pressure from the reverse osmosis system is less than 21 psi or 1.5 kgf/cm² (takes more than 4.0 sec to fill a cup of 7 oz capacity):

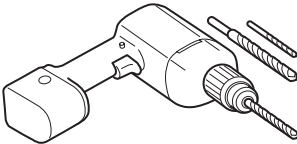
- Check to see if the sediment filter in the reverse osmosis system is blocked. Replace the filter if necessary.
- Allow the storage tank on the reverse osmosis system to refill after heavy usage.
- If the issue concerning water pressure from reverse osmosis remains, call a licensed, qualified plumber.
- All installations must be in accordance with local plumbing code requirements.

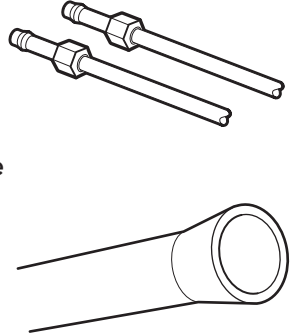
⚠ CAUTION: Wear eye protection during installation to prevent injury.

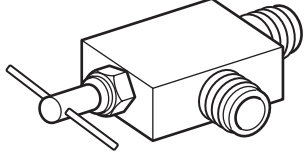
WHAT YOU WILL NEED

- **Copper Tubing**, 1/4 in. outer diameter, to connect the refrigerator to the water supply. Be sure both ends of the tubing are cut square. 
- To determine how much tubing you need: measure the distance from the water valve on the back of the refrigerator to the water supply pipe. Then, add 8 feet (2.4 m). Be sure there is sufficient extra tubing (about 8 feet [2.4 m] coiled into 3 turns of about 10 in. [25 cm] diameter) to allow the refrigerator to move out from the wall after installation.

- **Power drill.**
- **1/2 in. or adjustable wrench.**
- **Flat blade and Phillips head screwdrivers.**

- **Two 1/4 in. outer diameter compression nuts and 2 ferrules (sleeves)** to connect the copper tubing to the shutoff valve and the refrigerator water valve. 

- If your existing copper water line has a flared fitting at the end, you will need an **adapter** (available at plumbing supply stores) to connect the water line to the refrigerator OR you can cut off the flared fitting with a tube cutter and then use a compression fitting. 

- **Shutoff valve to connect to the cold water line.** The shutoff valve should have a water inlet with a minimum inside diameter of 5/32 in. at the point of connection to the COLD WATER LINE. Saddle-type shutoff valves are included in many water supply kits. Before purchasing, make sure a saddle-type valve complies with your local plumbing codes. 

NOTE: A Self Piercing Saddle Type Water Valve should not be used.

INSTALLATION INSTRUCTIONS

! WARNING

Electrical Shock Hazard

When using any electrical device (such as a power drill) during installation, be sure the device is battery powered, double insulated or grounded in a manner that will prevent the hazard of electric shock.

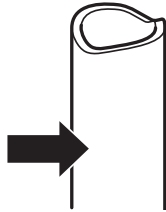
Install the shutoff valve on the nearest frequently used drinking water line.

1. SHUT OFF THE MAIN WATER SUPPLY

Turn on the nearest faucet to relieve the pressure on the line.

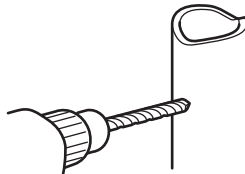
2. CHOOSE THE VALVE LOCATION

Choose a location for the valve that is easily accessible. It is best to connect into the side of a vertical water pipe. When it is necessary to connect into a horizontal water pipe, make the connection to the top or side, rather than at the bottom, to avoid drawing off any sediment from the water pipe.



3. DRILL THE HOLE FOR THE VALVE

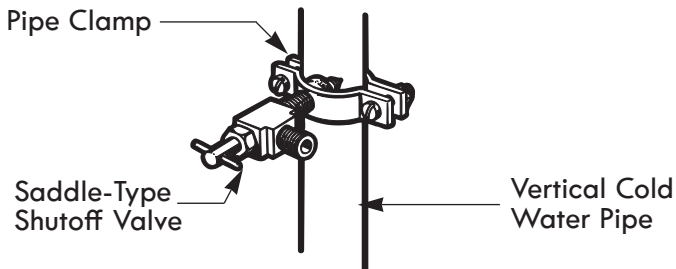
Drill a 1/4 in. hole in the water pipe using a sharp bit. Remove any burrs resulting from drilling the hole in the pipe. Be careful not to allow water to drain into the drill. Failure to drill a 1/4 in. hole may result in reduced ice production or smaller cubes.



NOTE: The hookup line cannot be white, plastic tubing. Licensed plumbers must use only copper tubing NDA tubing #49595 or 49599 or Cross Link Polyethylene (PEX) tubing.

4. FASTEN THE SHUTOFF VALVE

Fasten the shutoff valve to the cold water pipe with the pipe clamp.

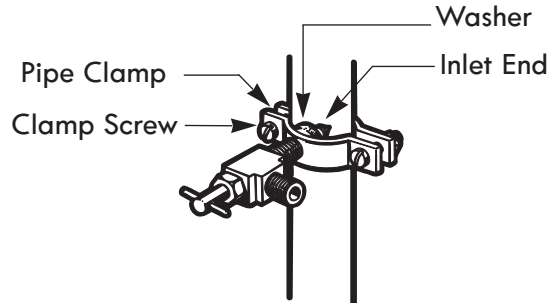


NOTE: Commonwealth of Massachusetts Plumbing Codes 248CMR shall be adhered to. Saddle valves are illegal and use is not permitted in Massachusetts. Consult with your licensed plumber.

5. TIGHTEN THE PIPE CLAMP

Tighten the clamp screws until the sealing washer begins to swell.

NOTE: Do not overtighten clamp or you may crush the tubing.



6. ROUTE THE TUBING

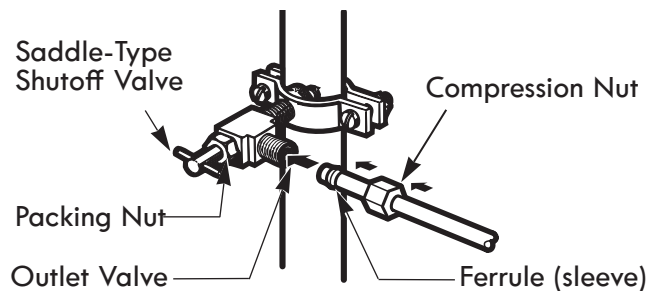
Route the tubing between the cold water line and the refrigerator.

Route the tubing through a hole drilled in the wall or floor (behind the refrigerator or adjacent base cabinet) as close to the wall as possible.

NOTE: Be sure there is sufficient extra tubing (about 8 feet coiled into 3 turns of about 10 in. diameter) to allow the refrigerator to move out from the wall after installation.

7. CONNECT THE TUBING TO THE VALVE

Place the compression nut and ferrule (sleeve) for copper tubing onto the end of the tubing and connect it to the shutoff valve. Make sure the tubing is fully inserted into the valve. Tighten the compression nut securely.



NOTE: Commonwealth of Massachusetts Plumbing Codes 248CMR shall be adhered to. Saddle valves are illegal and their use is not permitted in Massachusetts. Consult with your licensed plumber.

8. FLUSH OUT THE TUBING

Turn the main water supply on and flush out the tubing until the water is clear.

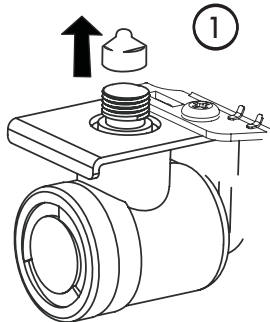
Shut the water off at the water valve after about one quart of water has been flushed through the tubing.



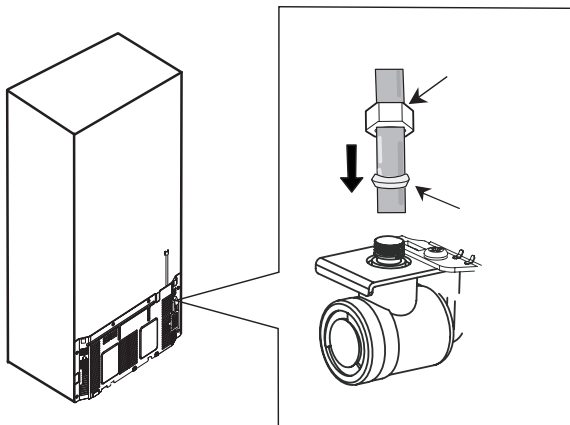
9. CONNECT THE TUBING TO THE REFRIGERATOR

NOTE: Before making the connection to the refrigerator, be sure that the refrigerator power cord is not plugged into the wall outlet.

- 1) Remove the ring plug (1) from the valve located at the top of such device.



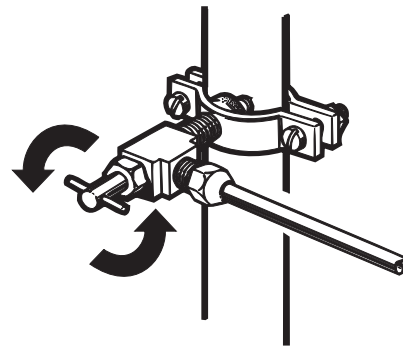
- 2) Place compression nut and the ferule at the end of the pipeline. Insert pipeline into the connection valve as far as possible. Hold tightly while holding pipeline.



- 3) Hold on to the pipe from the handles or grabbers located behind the refrigerator, loosening first the bolt holding the handle. Afterwards, insert pipe into the hole and tighten bolt to finalize.

10. TURN THE WATER ON AT THE SHUTOFF VALVE

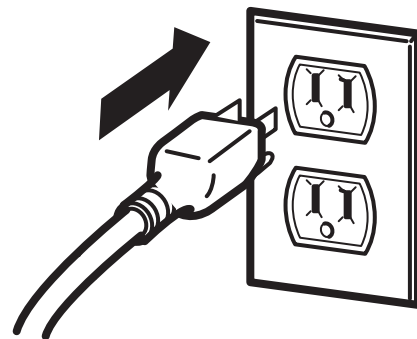
Tighten any connections that leak.



CAUTION: Check to see if leaks occur at the water line connections.

11. PLUG IN THE REFRIGERATOR

Arrange the coil of tubing so that it does not vibrate against the back of the refrigerator or against the wall. Push the refrigerator back to the wall.



12. START THE ICEMAKER

Set the icemaker power switch to the **ON** position. The icemaker will not begin to operate until it reaches its operating temperature of 15°F (-9°C) or below. It will then begin operation automatically if the icemaker power switch is in the **ON (I)** position.

TROUBLESHOOTING GUIDE

UNDERSTANDING SOUNDS YOU MAY HEAR

Your new refrigerator may make sounds that your old one did not make. Most of the new sounds are normal. Hard surfaces, like the floor, walls and cabinets, can make the sounds seem louder than they actually are. The following describes the kinds of sounds you may hear and what may be causing them.

Clicking:

The defrost control will click when the automatic defrost cycle begins and ends. The thermostat control (or refrigerator control, depending on the model) will also click when cycling on and off.

Rattling:

Rattling noises may come from the flow of refrigerant, the water line, or items stored on top of the refrigerator.

Whooshing:

- Evaporator fan motor circulating the air through the refrigerator and freezer compartments.
- Air being forced over the condenser by the condenser fan.
- Ice compartment fan in the freezer on the left side of the refrigerator when the doors are open.

Gurgling:

As each cycle ends, you may hear a gurgling sound caused by the refrigerant flowing through the cooling system.

Popping:

Contraction and expansion of the inside walls.

Sizzling:

Water dripping on the defrost heater during a defrost cycle.

Vibrating Noise:

If the side or back of the refrigerator is touching a cabinet or wall, some of the normal vibrations may make an audible sound. To eliminate the noise, make sure that the sides and back cannot vibrate against any wall or cabinet.

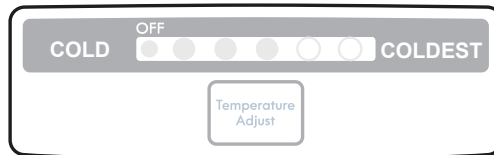
Dripping:

Water running into the drain pan during the defrost cycle.

Pulsating or High-Pitched Sound:

Your refrigerator is designed to run more efficiently to keep your food items at the desired temperature. The high efficiency compressor may cause your new refrigerator to run longer than your old one, but is still more energy efficient than previous models. While the refrigerator is running, it is normal to hear a pulsating or high-pitched sound.

Problem	Possible Causes	Solutions
Refrigerator is not cooling.	The power supply cord is unplugged.	Firmly plug the cord into a live outlet with proper voltage (see Electrical & Grounding Requirements).
	A household fuse has blown or a circuit breaker has tripped.	Replace the fuse or reset the circuit breaker. If the problem persists, contact an electrician.
	The refrigerator control is set to the OFF position.	Refer to the Setting the Controls section.
	The refrigerator is in the defrost cycle.	Wait about 30 minutes for defrost cycle to end.
	The OFF light is illuminated.	<p>The refrigerator is in DEMO mode. The Demo Mode disables the cooling system and only the lamps and display will work normally.</p> <p>To disable Demo Mode, press the TEMPERATURE ADJUST button until you set the desired temperature level. When demo mode is deactivated, the OFF light will turn off.</p>



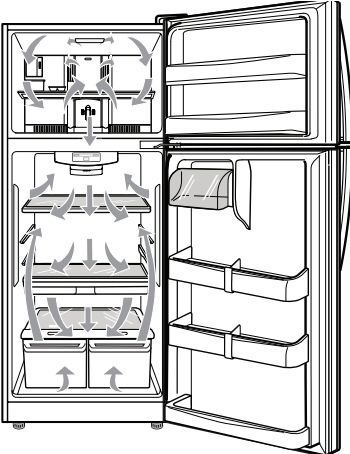
Problem	Possible Causes	Solutions
Lights do not work.	The power supply cord is unplugged.	Firmly plug the cord into a live outlet with proper voltage (refer to Electrical & Grounding Requirements).
	An LED light has malfunctioned.	Before proceeding to replace LED, unplug the refrigerator or turn off power at the circuit breaker or fuse box. NOTE: The refrigerator and freezer compartment lamps are LED interior lighting, and service should only be performed by a qualified technician.
Vibration or rattling noise.	The refrigerator is not resting solidly on the floor.	Floor is weak or uneven or leveling legs need adjusting. See the Installation section for leveling instructions.
Compressor seems to run too much.	The refrigerator that was replaced was an older model.	Modern refrigerators require more operating time but use less energy due to more efficient technology.
	The room temperature is warmer than normal.	The compressor will run longer under warm conditions. At normal room temperatures (70°F) expect your compressor to run about 40% to 80% of the time. Under warmer conditions, expect it to run even more often. The refrigerator should not be operated in surrounding temperatures above 110°F.
	The door is opened often or a large amount of food has just been added.	Adding food and opening the door warms the refrigerator, requiring the compressor to run longer in order to cool the refrigerator back down. In order to conserve energy, try to get everything you need out of the refrigerator at once, keep food organized so it is easy to find, and close the door as soon as the food is removed. (Refer to the Food Storage Guide .)
	The refrigerator was recently plugged in and the refrigerator control was set correctly.	The refrigerator will take up to 24 hours to cool completely.
	The refrigerator control is not set correctly for the surrounding conditions.	See the Adjusting Control Settings section.
	The doors are not closed completely.	Firmly push the doors shut. If they will not shut all the way, see “Doors will not close completely” in the Troubleshooting section.
	The back cover is dirty.	This prevents air transfer and makes the motor work harder. Clean the back cover. Refer to the Care and Cleaning section.

TROUBLESHOOTING GUIDE

Problem	Possible Causes	Solutions
Doors will not close completely.	The refrigerator is not level.	See the Leveling and Door Alignment section.
	Food packages are blocking the door open.	Rearrange food containers to clear door and door shelves.
	The ice bin, crisper cover, pans, shelves, door bins or baskets are out of position.	Push bins all the way in and put crisper cover, pans, shelves and baskets into their correct positions. See the Using Your Refrigerator section for more information.
	The gaskets are sticking.	Clean gaskets and the surfaces that they touch. Rub a thin coat of appliance polish or kitchen wax on the gaskets after cleaning.
	The refrigerator wobbles or seems unstable.	Level the refrigerator. Refer to the Leveling and Door Alignment for more information.
	The doors were removed during product installation and not properly replaced.	Remove and replace the doors according to the Removing and Replacing Refrigerator Handles and Doors section, or call a qualified technician.
Frost or ice crystals on frozen food.	The door is not closing properly.	See “Doors will not close completely” in the Troubleshooting section.
	The door is opened often.	When the door is opened, warm, humid air is allowed in the freezer, resulting in frost.
Ice has bad taste or odor.	The icemaker was recently installed.	Discard the first few batches of ice to avoid discolored or bad tasting ice.
	The ice has been stored for too long.	Throw away old ice and make a new supply.
	The food has not been wrapped tightly in either compartment.	Rewrap foods since odors may migrate to the ice if food is not wrapped properly.
	The water supply contains minerals such as sulfur.	A water filter may need to be installed to eliminate taste and odor problems.
	The interior of the refrigerator needs cleaning.	See Care and Cleaning section for more information.
	The ice storage bin needs cleaning.	Empty and wash bin. Discard old cubes.
There is water in the defrost drain pan.	The refrigerator is defrosting.	The water will evaporate. It is normal for water to drip into the defrost pan.
	It is more humid than normal.	Expect that the water in the defrost pan will take longer to evaporate. This is normal when it is hot or humid.

Problem	Possible Causes	Solutions
The refrigerator seems to make too much noise.	The sounds may be normal for your refrigerator.	Refer to the Understanding Sounds You May Hear section for more information.
The icemaker is not producing ice or not enough ice.	New installation.	Wait 12 to 24 hours after icemaker installation for ice production to begin. Wait 72 hours for full ice production.
	The refrigerator is not connected to a water supply or the supply shutoff valve is not turned on.	Connect refrigerator to the water supply and turn water shutoff valve fully open.
	Reverse osmosis water filtration system is connected to your cold water supply.	Reverse osmosis filtration systems can reduce the water pressure below the minimum amount and result in icemaker issues. (Refer to Water Pressure section.)
	Kink in the water source line.	A kink in the line can reduce water flow. Straighten the water source line.
	Ice demand has exceeded storage capacity.	The icemaker will produce approximately 100 cubes in a 24 hour period. NOTE: An extra ice bucket is provided in the freezer section for additional storage capacity.
	The icemaker is not turned on.	Locate the icemaker ON/OFF switch and confirm it is in the ON (I) position.
	There is something on the ice-detecting sensor.	Foreign substances or frost on the ice-detecting sensor can interrupt ice production. Make sure the sensor area is clean at all times for proper operation.
	The temperature setting for the freezer is too warm.	The recommended temperature for the freezer compartment for normal ice production is 0°F. If the freezer temperature is warmer, ice production will be affected.
	The doors are opened often.	If the doors of the unit are opened often, ambient air will warm the refrigerator which will prevent the unit from maintaining the set temperature. Lowering the refrigerator temperature can help, as well as not opening the doors as frequently.
The doors are not closing properly.	If the doors are not properly closed, ice production will be affected. See “Doors will not close completely” in the Troubleshooting section for more information.	
Refrigerator or Freezer section is too cold.	Controls are not set correctly for conditions.	If the temperature is too cold, raise the temperature setting one increment at a time (refer to the Setting the Controls section). When changing control settings, wait 24 hours before making additional adjustments.

TROUBLESHOOTING GUIDE

Problem	Possible Causes	Solutions
<p>Temperature is too warm or there is interior moisture buildup.</p>	<p>The air vents are blocked. Cold air circulates from the freezer to the fresh food section and back again through air vents in the wall dividing the two sections.</p>	<p>Locate air vents by using your hand to sense airflow and move all packages that block vents and restrict airflow. (See air flow diagram below.)</p> 
	<p>The doors are opened often.</p>	<p>Opening the door warms the refrigerator, requiring the compressor to run longer in order to cool the refrigerator back down. In order to conserve energy, try to get everything you need out of the refrigerator at once, keep food organized so it is easy to find, and close the door as soon as the food is removed.</p>
	<p>The control is not set correctly for the surrounding conditions.</p>	<p>If the temperature is too warm, change the setting one increment at a time. Refer to the Setting the Controls section. Wait 24 hours for temperatures to stabilize or even out.</p>
	<p>A large amount of food has just been added to the refrigerator or freezer.</p>	<p>Adding food warms the refrigerator. It can take a few hours for the refrigerator to return to normal temperature.</p>
	<p>The food is not packaged correctly.</p>	<p>Wrap food tightly and wipe off damp containers prior to storing in the refrigerator to avoid moisture accumulation. If necessary, repackage food according to the guidelines in the Food Storage Guide section.</p>
	<p>The doors are not closing completely.</p>	<p>See “Doors will not close completely” in the Troubleshooting section.</p>
	<p>The weather is humid.</p>	<p>In humid weather, air carries moisture into the refrigerator when the doors are opened. Increased humidity in the freezer or refrigerator compartments can lead to frost or condensation.</p>
	<p>An automatic defrost cycle was completed.</p>	<p>It is normal for droplets to form on the interior back wall after the refrigerator automatically defrosts.</p>

Problem	Possible Causes	Solutions
The doors are difficult to open.	The gaskets are dirty or sticky.	Clean the gaskets and the surfaces that they touch. Rub a thin coat of appliance polish or kitchen wax on the gaskets after cleaning.
	The door is reopened within a short time after having been opened.	When you open the door, warmer air enters the refrigerator. As the warm air cools, it can create a vacuum. If the door is hard to open, wait one minute to allow the air pressure to equalize, then see if it opens more easily.
Frozen food in refrigerator compartment.	The temperature control in the refrigerator compartment is set too cold.	Press the Temperature Adjust button to set the refrigerator compartment to a warmer temperature.
	Refrigerator is installed in a cold location.	When room temperature is below 41°F (5°C), food can freeze. The refrigerator should not be operated in temperatures below 55°F (13°C).
	Food with a high water content was placed too close to the cold air discharge vent.	Place food with a high water content toward the front of the refrigerator.

ÍNDICE

Garantía	39	Cuidado y limpieza	59
Contratos de protección	40	Conexión de la tubería de agua	61-63
Instrucciones importantes sobre seguridad	41-43	Guía para la solución de problemas	64-68
Requisitos eléctricos y de conexión a tierra	43	Servicio técnico	Contraportada
Componentes y características	44		
Instalación del refrigerador	44-55		
Desembalaje del refrigerador	45		
Instalación	46		
Removiendo y reemplazando puertas.....	47-48		
Puertas reversibles.....	49-54		
Nivelación	55		
Alineamiento de puertas.....	55		
Uso del refrigerador	56-60		
Configurando los controles.....	56		
Guía para el almacenamiento de alimentos	57		
Máquina de hielo automática	58		
Estantes del refrigerador	59		
Cajon Pantry	59		
Cajon con control de humedad.....	60		
Bandejas de puerta	60		
Bandeja para lácteos	60		



GARANTÍA DEL REFRIGERADOR

Garantía limitada de Kenmore

POR UN AÑO a partir de la fecha de venta, este electrodoméstico está cubierto por la garantía contra defectos de material o mano de obra cuando la instalación, operación y mantenimiento del electrodoméstico son correctos y siguen todas las instrucciones suministradas.

JUNTO CON LA PRUEBA DE VENTA, el electrodoméstico defectuoso recibirá sin cargo su reparación o reemplazo, a opción del vendedor.

Para conocer los detalles de la cobertura de garantía para obtener la reparación o el reemplazo gratis del producto, visite la página Web: www.kenmore.com/warranty

Esta cobertura de garantía aplica sólo por 90 días a partir de la fecha de venta en los Estados Unidos, y no será válida en Canadá, si el electrodoméstico es utilizado para otro fin que no sea de uso doméstico.

Esta garantía cubre únicamente los defectos de material y mano de obra, y NO pagará:

1. Elementos consumibles que puedan desgastarse debido al uso normal, incluyendo entre otros, los filtros, correas, bolsas o bombillas extraíbles.
2. Un técnico de servicio para realizar labores de limpieza o mantenimiento del electrodoméstico, o para enseñar al usuario la instalación, funcionamiento o mantenimiento correctos del producto.
3. Llamadas al servicio técnico para corregir la instalación del electrodoméstico no realizada por agentes de servicio autorizados de Sears, o bien para solucionar problemas relacionados con fusibles domésticos, disyuntores, cableado, sistemas de plomería o de suministro de gas, que resulten de tal instalación.
4. Daños o averías resultantes de la instalación no realizada por agentes de servicio autorizados de Sears, incluida la instalación que no fue realizada de acuerdo con los códigos eléctricos, de gas o de fontanería.
5. Daños o averías, incluyendo la decoloración u óxido de la superficie, si el funcionamiento y mantenimiento del electrodoméstico no son correctos de acuerdo a las instrucciones suministradas.
6. Daños o averías, incluyendo la decoloración u óxido de la superficie, que resulten de cualquier accidente, alteración, abuso, uso incorrecto o uso con propósitos distintos a los fines para los que el producto fue diseñado.
7. Daños o averías, incluyendo la decoloración u óxido de la superficie, causados por el uso de detergentes, limpiadores, sustancias químicas o utensilios distintos a los recomendados en todas las instrucciones suministradas con el producto.
8. Daños o fallas de los componentes o sistemas como resultado de modificaciones hechas sin autorización a este producto.
9. Servicio técnico al electrodoméstico si el modelo y placa de serie han sido removidos, alterados, o cuando no pueda determinarse fácilmente que tenga el logo de certificación apropiado.

Descargo de responsabilidad de garantías implícitas; limitación de acciones legales

El único y exclusivo recurso del cliente bajo esta garantía limitada será la reparación del producto como se indica en la presente. Las garantías implícitas, incluyendo garantías de comerciabilidad y aptitud para un objetivo particular, se encuentran limitadas a un año o al período más corto permitido por la ley. Sears no será responsable de los daños incidentales o derivados. Algunos estados y provincias no permiten la exclusión o limitación de daños o limitaciones incidentales o resultantes, o limitaciones sobre la duración de garantías implícitas o de comerciabilidad o aptitud, por lo tanto las limitaciones o exclusiones anteriores pueden no aplicarse en su caso.

Esta garantía podrá aplicarse sólo si este electrodoméstico se utiliza en los Estados Unidos o Canadá*.

Esta garantía le otorga derechos legales específicos, y usted también puede contar con otros derechos, que pueden variar de estado a estado.

*El servicio de reparación a domicilio no está disponible en todas las áreas geográficas de Canadá. Tampoco esta garantía cubrirá los gastos de traslado o transporte del usuario o del técnico de reparación si el producto está ubicado en un área remota (tal como la define Sears Canada Inc.) donde no haya ningún técnico de reparación disponible.

Sears Brands Management Corporation, Hoffman Estates, IL 60179
Sears Canada Inc., Toronto, Ontario, Canada M5B 2C3

CONTRATOS DE PROTECCIÓN

Contratos maestros de protección

Felicidades por haber realizado una compra inteligente. Su nuevo producto Kenmore® ha sido diseñado y fabricado para proporcionarle años de funcionamiento fiable. No obstante, al igual que cualquier otro producto, es posible que requiera un mantenimiento preventivo o alguna reparación cada cierto tiempo. Por este motivo, disponer de un contrato maestro de protección puede ahorrarle dinero y molestias.

El contrato maestro de protección también le ayuda a prolongar la vida de este nuevo producto. A continuación, se indica lo que incluye este contrato*:

- **Material y mano de obra** necesarios para mantener los productos en funcionamiento **bajo uso normal**, no únicamente los defectos de fabricación. Nuestra cobertura es **muy superior a la garantía del producto**. No hay ninguna avería funcional deducible que se excluya de la cobertura: **se trata de una protección real**.
- **Servicio experto** llevado a cabo por un personal de **más de 10.000 técnicos de servicio expertos de Sears**, lo que significa que alguien en quien puede confiar trabajará en su producto.
- **Sin límite de solicitudes de reparación y servicio en el país**, con tanta frecuencia como desee y en cualquier momento.
- **Funcionamiento garantizado**: sustitución del producto cubierto por el servicio si se producen cuatro o más averías del producto en un plazo de 12 meses.
- **Sustitución del producto**: si el producto cubierto por el servicio no se puede reparar.
- **Comprobación anual de mantenimiento preventivo** si lo solicita, sin ningún gasto adicional.
- **Ayuda rápida por teléfono**: también llamada **solución rápida** – Asistencia por teléfono de un representante de Sears para cualquier producto. Puede pensar en nosotros como un “manual del usuario parlante”.

- **Protección de sobretensiones** contra daños eléctricos debidos fluctuaciones de energía.
- **Protección por pérdida de alimentos de 250 dólares** al año por cualquier alimento que quede inservible a consecuencia de un fallo mecánico de cualquier refrigerador o congelador cubierto por el servicio.
- **Reembolso del alquiler** si la reparación del producto cubierto por el servicio tarda más de lo previsto.
- **10% de descuento** del precio habitual de cualquier servicio de reparación y componente instalado relacionado no cubierto por el servicio.

Una vez adquirido el contrato, sólo tendrá que realizar una llamada de teléfono para programar el servicio. Puede llamarnos en cualquier momento del día o de la noche, o fijar la cita de la reparación a través de Internet.

El contrato maestro de protección es una compra sin riesgos. Si por cualquier motivo cancela el contrato durante el plazo de garantía del producto, le devolveremos todo el importe o bien una cantidad prorrateada una vez que haya finalizado el plazo de garantía del producto. Adquiera hoy mismo su contrato maestro de protección.

Se aplican ciertas limitaciones y exclusiones.

Para consultar las tarifas y obtener más información en EE. UU. llame al número de teléfono 1-800-827-6655.

*** La cobertura en Canadá varía en algunos aspectos. Para obtener más información, llame a Sears Canada al 1-800-361-6665.**

Servicio de instalación de Sears

Para solicitar la instalación profesional de Sears de electrodomésticos, mecanismos de apertura de puertas de garaje, calentadores de agua y otros electrodomésticos de gran tamaño, **llame en EE. UU. al 1-844-553-6667 y para Canadá llame al 1-800-469-4663.**

REGISTRO DEL PRODUCTO

En el espacio siguiente, anote la fecha de la compra, el modelo y el número de serie del producto. Encontrará el modelo y el número de serie impreso en la placa de identificación situada en el revestimiento interior del compartimiento del refrigerador. Tenga esta información a mano siempre que se ponga en contacto con Sears en relación con su producto.

N.º de modelo _____

Fecha de compra _____

N.º de serie. _____

Guarde estas instrucciones y su ticket de compra para futuras consultas.

INSTRUCCIONES IMPORTANTES SOBRE SEGURIDAD

PRECAUCIONES BÁSICAS DE SEGURIDAD

Este manual contiene muchos mensajes de seguridad importantes. **Lea y cumpla** siempre todos los mensajes de seguridad.



Éste es el símbolo de alerta de seguridad. Le avisa de mensajes de seguridad que le informan de peligros de muerte o lesiones para usted o los demás, o que puedan dañar el producto.

Todos los mensajes de seguridad estarán precedidos del símbolo de alerta de seguridad y de las palabras de señal de PELIGRO, ADVERTENCIA o PRECAUCIÓN. Estas palabras significan:

! PELIGRO

Si no respeta las instrucciones, **morirá o sufrirá lesiones graves.**

! ADVERTENCIA

Si no respeta las instrucciones, **podría morir o sufrir lesiones graves.**

! PRECAUCIÓN

Indica una situación de peligro inminente que, si no se evita, **podría** provocar lesiones leves o moderadas, o daños en el producto.

Todos los mensajes de seguridad le indicarán el peligro, lo que debe hacer para reducir la probabilidad de lesiones y lo que puede ocurrirle si no se siguen las instrucciones.

! ADVERTENCIA

Para reducir el riesgo de incendio, descarga eléctrica o lesiones personales al utilizar el producto, se deben respetar una serie de precauciones de seguridad básicas, entre las que se incluyen las siguientes:

Lea todas las instrucciones antes de utilizar este electrodoméstico.

- NUNCA desenchufe el refrigerador tirando del cable de corriente. Agarre siempre el enchufe firmemente y tire del mismo para retirarlo de la toma de corriente.
- Repare o reemplace de inmediato todos los cables de corriente pelados o con cualquier tipo de daño. No use un cable con grietas o abrasiones sobre su extensión o en los extremos del enchufe o conector.
- No modifique ni alargue la longitud del cable de corriente, ya que podría causar una descarga eléctrica o provocar un incendio.
- Cuando separe el refrigerador de la pared, tenga cuidado de no torcer o dañar el cable de alimentación.

- NO guarde ni utilice gasolina ni ningún otro gas o líquido inflamable cerca de este electrodoméstico o de cualquier otro.
- NO permita que los niños escalen, se monten o se cuelguen de las puertas o estantes del refrigerador. Podrían dañar el refrigerador o sufrir lesiones graves.
- Mantenga los dedos lejos de los puntos de riesgo de pinzamiento; las distancias de separación entre las puertas y los gabinetes son necesariamente pequeños. Tenga especial cuidado al cerrar las puertas cuando haya niños cerca.
- Desenchufe el refrigerador antes de limpiar o realizar cualquier reparación.

NOTA: Se recomienda encarecidamente que cualquier reparación sea realizada por un técnico calificado.

GUARDE ESTAS INSTRUCCIONES

⚠️ ADVERTENCIA

- Antes de sustituir una bombilla fundida o rota, desenchufe el refrigerador o corte la corriente en el disyuntor o caja de fusibles con el fin de evitar el contacto con un cable con corriente. (Una bombilla fundida puede romperse en el momento de cambiarla, por lo que queda expuesto un cable con corriente).

NOTA: Algunos modelos disponen de iluminación interior mediante LED, por lo que el mantenimiento deberá ser realizado por un técnico calificado.

⚠️ ADVERTENCIA: Poner uno o ambos controles en posición de apagado (OFF) no corta la alimentación de circuito de iluminación.

- Cuando haya terminado, vuelva a conectar el refrigerador a la red eléctrica y restablezca los controles (Termostato, Control del refrigerador y/o Control del congelador, en función del modelo) al ajuste deseado.
- Este refrigerador se debe instalar correctamente de acuerdo con las **instrucciones importantes para el instalador** incluidas en la hoja adhesiva pegada al frontal del refrigerador.
- Cuando el refrigerador esté en funcionamiento, no toque las superficies frías del compartimiento del congelador con las manos húmedas o mojadas. La piel se podría adherir a las superficies extremadamente frías.

- NO toque el mecanismo de fabricación automática de hielo mientras esté el refrigerador enchufado.
- NO vuelva a congelar alimentos congelados que se hayan descongelado completamente. El Departamento de Agricultura de Estados Unidos, en el boletín n.º 69 de Casa y jardín, dice:

...Se pueden volver a congelar con seguridad alimentos congelados que se hayan descongelado si aún contienen cristales de hielo o si aún siguen fríos: por debajo de los 4 °C.

...La carne picada, la carne de ave o el pescado descongelados cuyo olor o color indiquen mal estado no deberían volver a congelarse ni deberían comerse. El helado descongelado se debe desechar. Si el olor o el color de cualquier alimento ha perdido frescura o es cuestionable, deséchelo. Comer este tipo de alimentos puede ser peligroso.

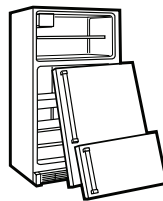
Incluso si se descongela parcialmente un alimento y se vuelve a congelar, su calidad alimenticia se ve reducida, particularmente si se trata de frutas, verduras y comida preparada. La calidad alimenticia de las carnes rojas se ve menos afectada que la de la mayoría de alimentos. Utilice los alimentos recongelados lo antes posible para salvaguardar el máximo de calidad.

⚠️ ADVERTENCIA: Este producto contiene sustancias químicas conocidas por el Estado de California como causantes de cáncer, defectos de nacimiento u otros daños reproductivos. **Lávese las manos después de manipularlo.**

GUARDE ESTAS INSTRUCCIONES

⚠️ PELIGRO: RIESGO DE ATRAPAMIENTO DE NIÑOS

Los refrigeradores desechados o abandonados son peligrosos, incluso si sólo es por unos pocos días. Si va a deshacerse de su antiguo refrigerador, le recomendamos que siga las instrucciones que encontrará a la derecha para evitar posibles accidentes (atrapamiento de niños y asfixia).



ANTES DE DESECHAR SU ANTIGUO REFRIGERADOR O CONGELADOR:

- Desmonte las puertas.
- Deje los estantes en su sitio para que los niños no puedan trepar con facilidad al interior.

ELIMINACIÓN DE CFC

Es posible que su antiguo refrigerador tenga un sistema de refrigeración que use CFC (clorofluorocarbonos). Se cree que los CFC son perjudiciales para el ozono estratosférico.

Si va a desechar su antiguo refrigerador, asegúrese de que un técnico calificado se encargue de retirar el refrigerante de CFC para su adecuada eliminación. Si de forma intencionada libera este refrigerante de CFC, podría estar sujeto a multas y penas de prisión según lo previsto en la legislación medioambiental.

REQUISITOS ELÉCTRICOS Y DE CONEXIÓN A TIERRA

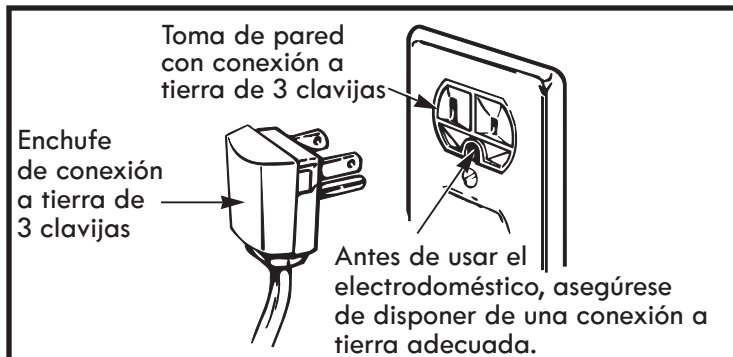
IMPORTANTE: Lea atentamente la siguiente información.

PARA CONECTAR LA ELECTRICIDAD

! ADVERTENCIA

Riesgo de descargas eléctricas

POR MOTIVOS DE SEGURIDAD PERSONAL, este electrodoméstico debe estar conectado a tierra adecuadamente. Solicite a un electricista calificado que compruebe la toma de corriente y el circuito eléctrico para asegurarse de que la toma de corriente está correctamente conectada a tierra.



MÉTODO DE CONEXIÓN A TIERRA RECOMENDADO

El refrigerador debe estar siempre enchufado a su toma de corriente individual conectada a tierra adecuadamente con una tensión nominal de 115 voltios, 60 Hz, sólo CA, y protegida mediante fusible a 15 ó 20 amperios. Esta configuración proporciona el mejor rendimiento y, al mismo tiempo, evita la sobrecarga de la instalación eléctrica de la casa que podría provocar un peligro de incendio debido a un sobrecalentamiento de los cables. Se recomienda disponer de un circuito independiente para la exclusiva alimentación de este electrodoméstico.

Use un receptáculo que no se pueda apagar con un interruptor o una cadena de tracción. No utilice un alargador de corriente.

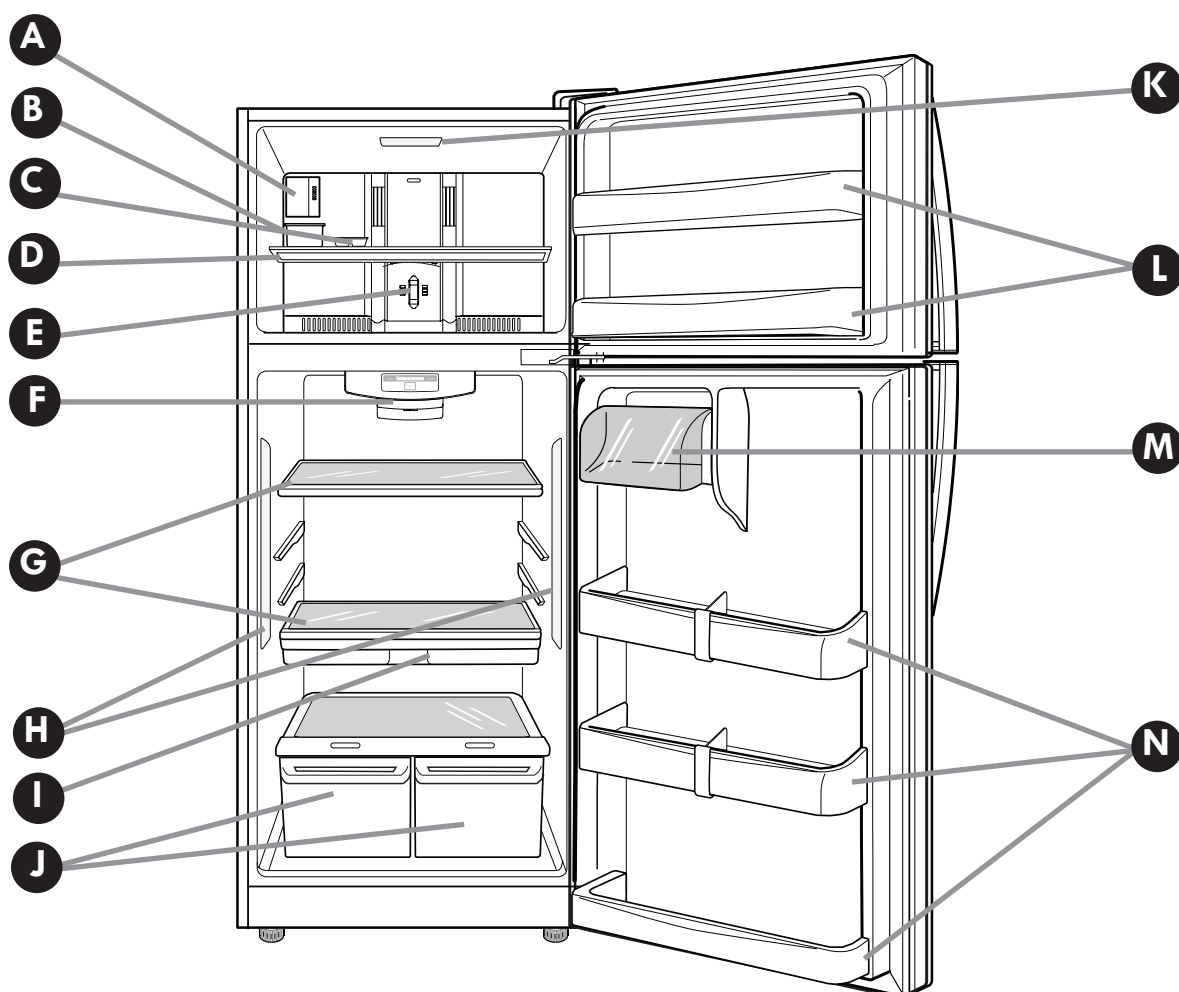
Si únicamente se dispone de una toma de corriente de 2 clavijas, será responsabilidad y obligación suya sustituirla por otra de 3 clavijas con una conexión a tierra adecuada.

USO DE CABLES ALARGADORES

Debido a los posibles peligros de seguridad que se pueden producir bajo ciertas condiciones, no se recomienda el uso de un cable alargador. Sin embargo, si a pesar de ello elige usar un cable alargador, es absolutamente necesario que sea un cable alargador para electrodomésticos de 3 clavijas con conexión a tierra y clasificación UL (EE. UU.), que disponga de un enchufe y una toma de corriente con conexión a tierra, y que la clasificación eléctrica del cable sea de 15 amperios (mínimo) y 120 voltios.

El uso de un cable alargador aumentará la separación necesaria para la parte posterior del refrigerador.

COMPONENTES Y CARACTERÍSTICAS



Use esta página para familiarizarse con los componentes y características del refrigerador. Para su comodidad, se incluyen referencias a las páginas.

NOTA: Esta guía cubre varios modelos distintos. El refrigerador que ha adquirido puede tener algunos o todos los componentes que se enumeran a continuación. Es posible que las ubicaciones de las características que se indican no coincidan con su modelo.

- A** Fábrica de Hielo Automática *
- B** Compartimento para Hielo
- C** Bandeja de hielos *
- D** Estante del Congelador
- E** Control de Temperatura del Congelador
- F** Control de Temperatura del Refrigerador

- G** Estantes
- H** Luz del Refrigerador (LED)
- I** Cajón Pantry
- J** Tapa del Compartimento de Verduras
- K** Luz del Congelador (LED)
- L** Anaqueles en la Puerta del Congelador
- M** Compartimento para Productos Lácteos
- N** Anaqueles en la Puerta del Refrigerador

* en algunos modelos

INSTALACIÓN DEL REFRIGERADOR

ADVERTENCIA

Riesgo de peso excesivo:

El desplazamiento e instalación del refrigerador deben realizarse entre dos o más personas. Si no se respeta esta advertencia, se podrán producir lesiones en la espalda o de otro tipo.

ADVERTENCIA

Riesgo de peso excesivo:

Su refrigerador es muy pesado. Al desplazarlo para su limpieza o mantenimiento, asegúrese de proteger el suelo. Siempre debe tirar del refrigerador en línea recta cuando los desplace. No menee ni zigzaguee el refrigerador al tratar de desplazarlo, ya que esto puede dañar el suelo.

DESEMBALAJE DEL REFRIGERADOR

Antes de su uso, retire la cinta adhesiva y todas las etiquetas temporales del refrigerador. No retire las etiquetas que indican advertencias, la etiqueta de modelo y número de serie ni la Hoja técnica que está ubicada debajo del frontal del refrigerador, detrás de la rejilla de la base.

Para retirar los restos de pegamento o cinta adhesiva, frote enérgicamente el área con el pulgar. Los residuos de pegamento o cinta adhesiva también se pueden retirar fácilmente frotando con los dedos una pequeña cantidad de lavavajillas líquido sobre el adhesivo. Aclare con agua templada y seque el área.

No utilice instrumentos afilados, alcohol desinfectante, líquidos inflamables ni limpiadores abrasivos para retirar la cinta adhesiva o el pegamento. Estos productos pueden dañar la superficie del refrigerador.

Los estantes del refrigerador están instalados en la posición de transporte. Vuelva a colocar los estantes de acuerdo con sus necesidades personales de almacenamiento.

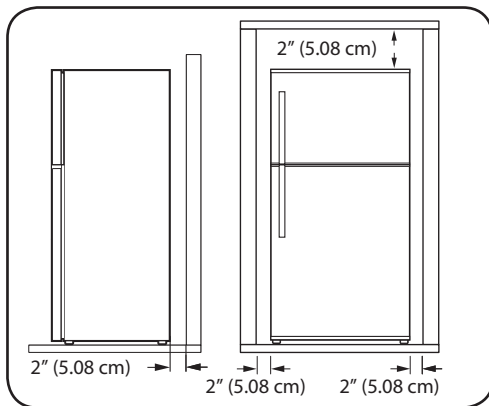
ADVERTENCIA

Riesgo de explosión:

Mantenga los materiales o vapores inflamables, como la gasolina, lejos del refrigerador. Si no se respeta esta advertencia, existe peligro de explosión, incendio o muerte.

ANTES DE USAR

1. Limpie el refrigerador a fondo y quite todo el polvo acumulado durante el transporte.
2. Instale los accesorios como el depósito de cubito de hielo, los cajones, los estantes, etc., en su sitio. Están empaquetados juntos para evitar posibles daños durante el transporte.
3. Deje que el refrigerador esté en funcionamiento durante al menos dos o tres horas antes de almacenar comida dentro de él. Compruebe el flujo de aire frío en el compartimiento del congelador para asegurarse de que la refrigeración sea la adecuada. Su refrigerador ya está listo para su uso.



INSTALACIÓN

El refrigerador debe estar siempre enchufado a su toma de corriente individual conectada a tierra adecuadamente con una tensión nominal de 115 voltios, 60 Hz, sólo CA, y protegida mediante fusible a 15 ó 20 amperios. Esta configuración proporciona el mejor rendimiento y, al mismo tiempo, evita la sobrecarga de la instalación eléctrica de la casa que podría provocar un peligro de incendio debido a un sobrecalentamiento de los cables. Se recomienda disponer de un circuito independiente para la exclusiva alimentación de este electrodoméstico.

! ADVERTENCIA

Riesgo de descarga:

Para reducir el riesgo de descarga eléctrica, no instale el refrigerador en un área húmeda ni mojada.

1. Para evitar el ruido y la vibración, es necesario nivelar la unidad e instalarla en un suelo sólidamente construido. Si es necesario, ajuste los pies de nivelación para compensar los desniveles del suelo. La parte delantera debe estar ligeramente más elevada que la posterior para ayudar al cierre de la puerta. Los pies de nivelación se pueden girar con facilidad inclinando ligeramente el aparato. Gire los pies de nivelación en sentido horario para elevar la unidad y en sentido antihorario para bajarla. (Consulte NIVELACIÓN Y ALINEACIÓN DE LAS PUERTAS).

NOTA: No se recomienda realizar la instalación sobre moqueta, superficies de baldosas flexibles, una plataforma o en una estructura con soporte inestable.

2. Instale este electrodoméstico en una zona donde la temperatura esté entre 13 °C (55 °F) y 43 °C (110 °F). Si la temperatura alrededor del electrodoméstico es demasiado baja o demasiado alta, la capacidad de refrigeración se verá gravemente afectada.
3. Seleccione un lugar en el que se pueda conectar fácilmente el suministro de agua para la máquina de hielo automática.

NOTA: La presión del agua debe estar entre los 20 y los 120 psi en modelos sin filtro de agua, y entre los 40 y 120 psi en modelos con filtro de agua.
4. Una distancia demasiado pequeña con los elementos adyacentes puede dar como resultado una reducción de la capacidad de congelación y un aumento del consumo eléctrico. Deje al menos 61 cm (24 pulgadas) en la parte frontal del refrigerador para abrir las puertas.
5. Si un sistema de filtrado de agua de ósmosis inversa se conecta un suministro de agua fría, la presión del agua en el sistema de ósmosis inversa debe ser al menos 40 a 60 psi (2,8 kgf / cm² ~ 4.2 kgf / cm², a menos de 2,0 ~ 3,0 segundos para llenar una copa que tiene una capacidad de siete onzas).

Por favor, consulte la sección AGUA MANGUERA CONEXION para obtener más información acerca de un sistema de filtración por ósmosis inversa.

REMOVIENDO Y REEMPLAZANDO PUERTAS

⚠ ADVERTENCIA

Riesgo de peso excesivo:

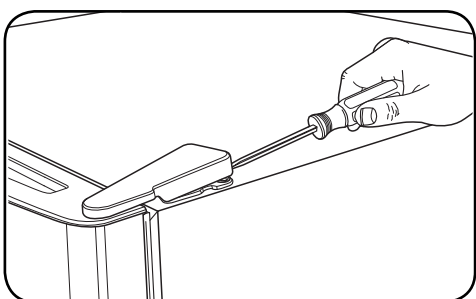
El desplazamiento e instalación de las puertas del refrigerador deben realizarse entre dos o más personas. Si no se respeta esta advertencia, se podrán producir lesiones en la espalda o de otro tipo.

HERRAMIENTAS QUE NECESITAS

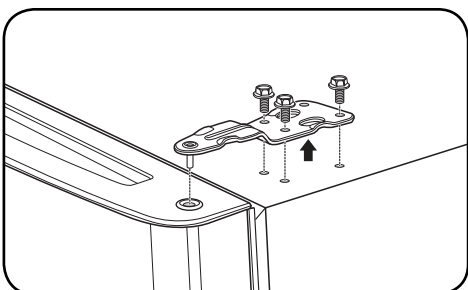
- Llave con dado de 10mm o 13/32"
- (Con extensión de 2" para la bisagra de la puerta inferior)
- Destornillador Phillips del No. 2.
- Destornillador de cabeza plana.
- Llave ajustable.

COMO REMOVER LA PUERTA DEL CONGELADOR

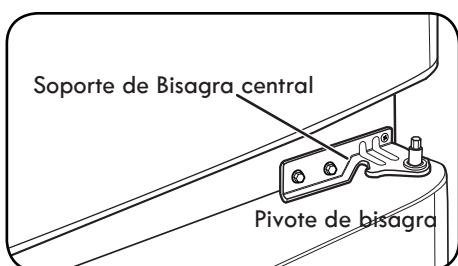
Suavemente levante y quite con el destornillador de cabeza plana la Tapa de la Bisagra Superior.



Usando la llave tubular de 10mm o de 13/32 pulgadas, quite los 3 tornillos y levante la Bisagra Superior. Coloque las partes a un lado.



Levante un poco la puerta del congelador y sáquela. Coloque a un lado.



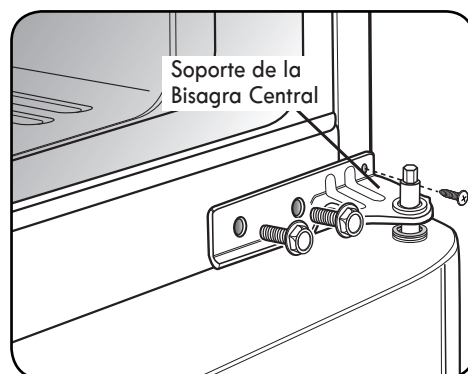
⚠ ADVERTENCIA

Riesgo de descargas eléctricas

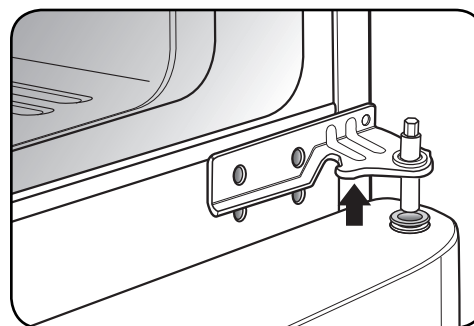
- Desenchufe el suministro eléctrico al refrigerador antes de realizar la instalación. Si no se respeta esta advertencia, pueden producirse lesiones graves e incluso la muerte.
- No ponga las manos, pies ni ningún otro objeto en las rejillas de ventilación de aire, la rejilla de la base o debajo del refrigerador. Podría sufrir lesiones o recibir una descarga eléctrica.

COMO REMOVER LA PUERTA DEL REFRIGERADOR

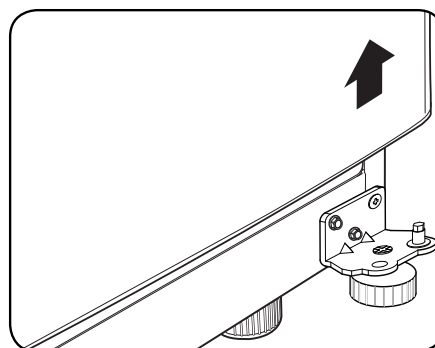
Suelte y quite los 2 tornillos y con el destornillador Phillips quite el Soporte de la Bisagra Central del marco del refrigerador. Coloque las partes a un lado.



Levante un poco la puerta y sáquela.



Para volver a colocar las puertas, comience con la puerta del refrigerador y continúe con la puerta del congelador.

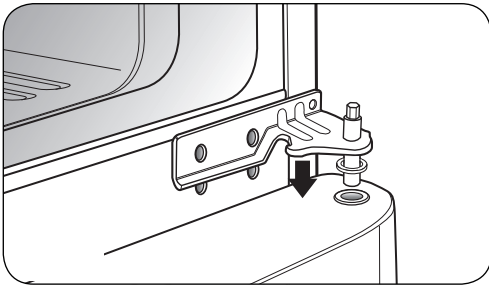


INSTALACIÓN DEL REFRIGERADOR

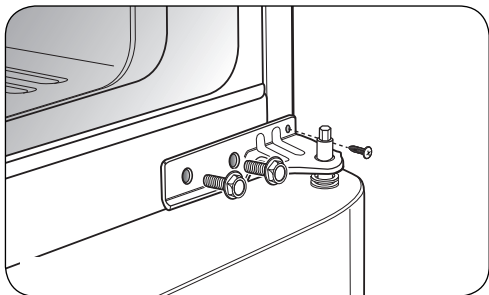
VOLVER A COLOCAR LA PUERTA DEL REFRIGERADOR

Coloque la puerta en el Pivote de la Bisagra Inferior.

Coloque el Pivote de Bisagra del Soporte de Bisagra Central dentro del Pivote de Inserción de Bisagra en la parte superior de la puerta. Aguante la puerta en su lugar y alinee el Soporte de la Bisagra Central con los orificios en el marco del refrigerador.

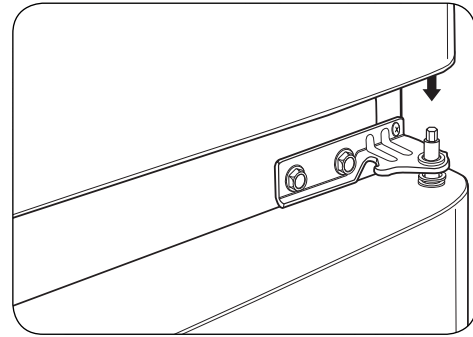


Utilice los 2 tornillos y el destornillador Phillips para reajustar el Soporte de la Bisagra Central con la puerta en el marco del refrigerador.

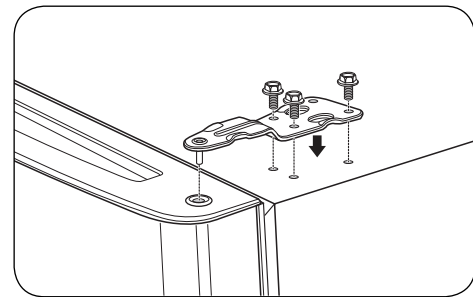


VOLVER A COLOCAR LA PUERTA DEL CONGELADOR

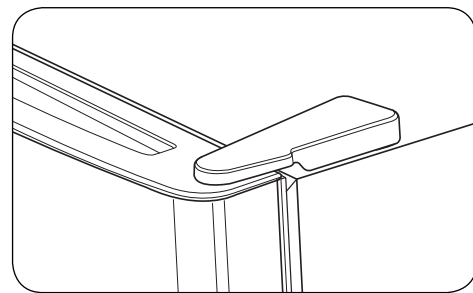
Coloque la puerta del congelador en el Pivote de la Bisagra Central.



Coloque el Pivote de la Bisagra Superior en la parte superior de la puerta del congelador y alinee con los orificios en la parte superior del refrigerador. Utilice los 3 tornillos para volver a colocar la Bisagra.



Cuidadosamente fuerce la Tapa de la Bisagra Superior hasta que encaje sobre la Bisagra.



PUERTAS REVERSIBLES

⚠ ADVERTENCIA

PELIGRO DE CHOQUE ELÉCTRICO

Antes de comenzar, desenchufe el refrigerador o desconecte la corriente de electricidad en el cortacorriente o caja de fusibles. No seguir estas instrucciones puede ocasionar la muerte o una lesión severa.

⚠ PRECAUCIÓN

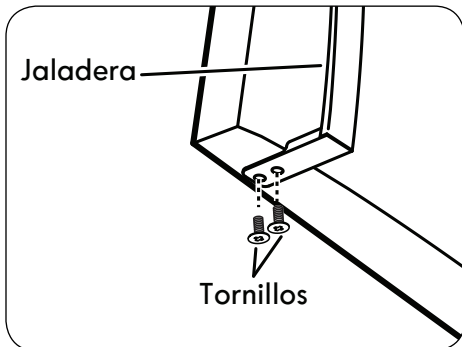
Retire los alimentos y cualquier puerta ajustable o contenedores de las puertas. El no hacerlo podría causar lesiones graves.

HERRAMIENTAS QUE NECESITAS

- Llave con dado de 10mm o $13/32$ "
- (Con extensión de 2" para la bisagra de la puerta inferior)
- Destornillador Phillips del No. 2.
- Destornillador de cabeza plana.
- Llave ajustable.
- Llave con dado de $1/4$ "
- Llave Allen de $3/32$ "

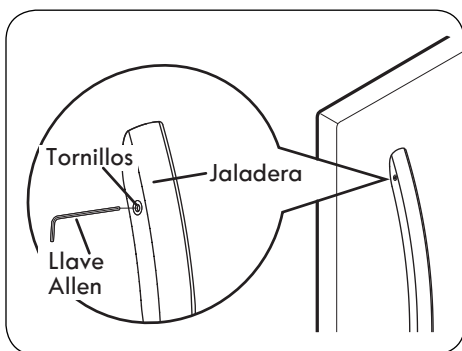
PUERTA DEL CONGELADOR REVERSIBLE

Remueva los 2 tornillos localizados en la parte inferior de la jaladera del congelador con un destornillador.

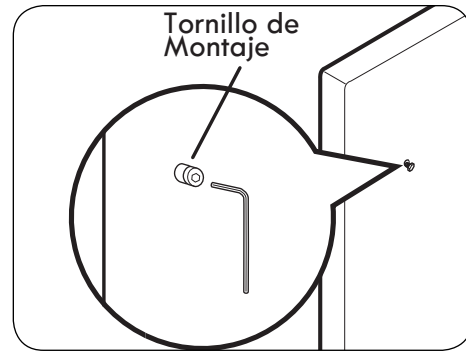


Afloje el tornillo superior con una llave Allen de $3/32$ " y remueva la jaladera. La jaladera del congelador sera la jaladera para el refrigerador cuando las puertas se hagan reversibles.

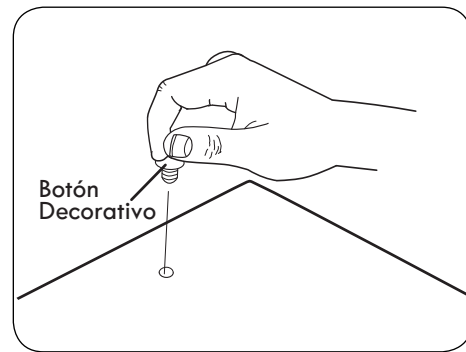
NOTE: Sostenga con su mano la jaladera mientras. Esta puede caer mientras afloja el tornillo superior.



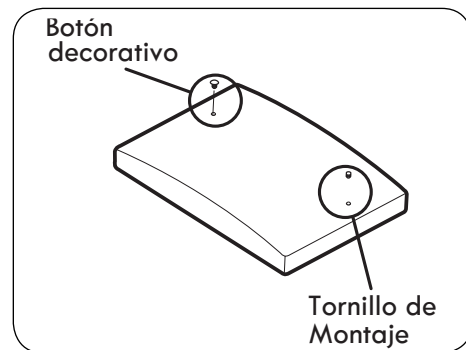
Afloje el tornillo de montaje con una llave Allen de $1/4$ ".



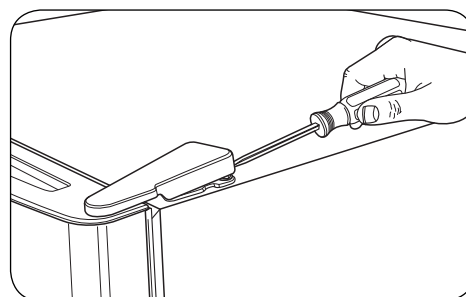
Desatornille el botón decorativo con sus dedos rotándolo en contra de las manecillas del reloj.



Instale el botón decorativo en el lado izquierdo y el tornillo de montaje del lado derecho.

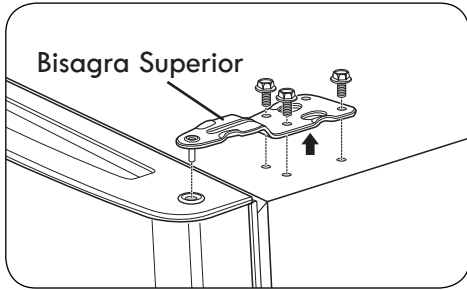


Suavemente levante y quite con el destornillador de cabeza plana la Tapa de la Bisagra Superior.

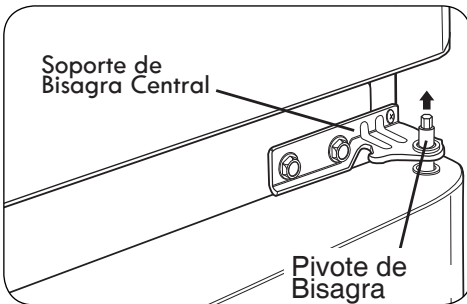


INSTALACIÓN DEL REFRIGERADOR

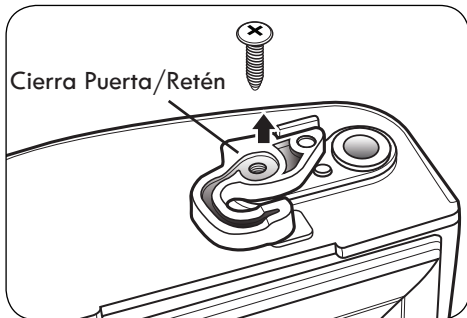
Usando la llave tubular de 10mm o de $13/32$ pulgadas, quite los 3 tornillos y levante la Bisagra Superior. Coloque las partes a un lado.



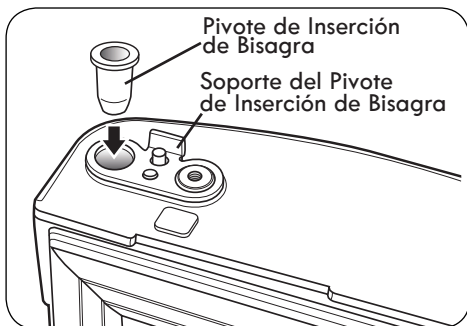
Levante un poco y sáquela.



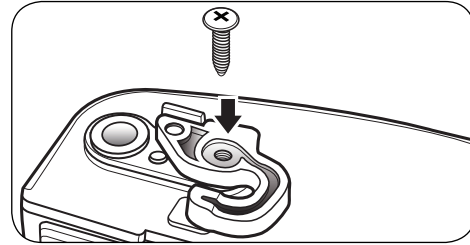
Coloque la puerta del refrigerador al revés en una superficie que no raye la puerta y afloje los tornillos para sacar el Cierre Puerta/Retén y el Pivote de Inserción de Bisagra.



Mueva el Soporte del Pivote de Inserción de Bisagra al lado opuesto de la puerta, manteniendo la misma orientación, y mueva el Pivote de Inserción de Bisagra al orificio en el lado izquierdo del soporte.

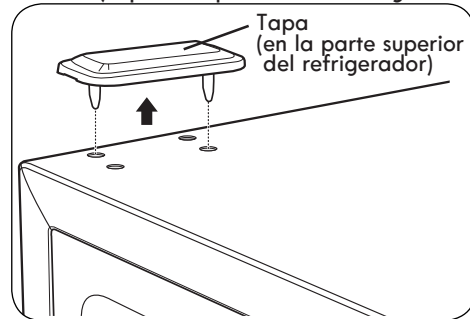


Cambie al lado opuesto el Cierre Puerta/Retén virándolo, colocándolo encima del Soporte del Pivote de Inserción de Bisagra y ajustando ambos con el tornillo.



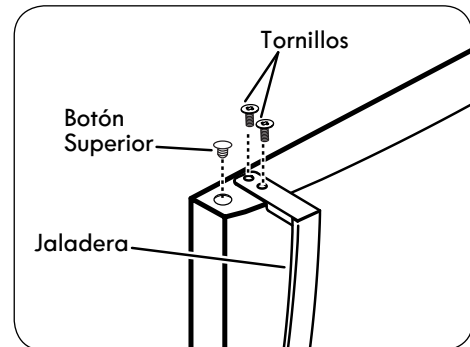
Levante la tapa que está en el lado izquierdo de la parte superior del refrigerador para encontrar los orificios de los tornillos.

Coloque la puerta del congelador y las partes de la Bisagra Superior a un lado y quite la puerta del refrigerador.



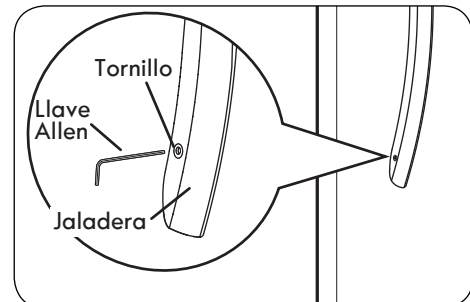
INVERTIR Y VOLVER A PONER LA PUERTA DEL REFRIGERADOR

Remueva el botón superior y los 2 tornillos localizados en la parte superior de la jaladera del congelador con un destornillador.

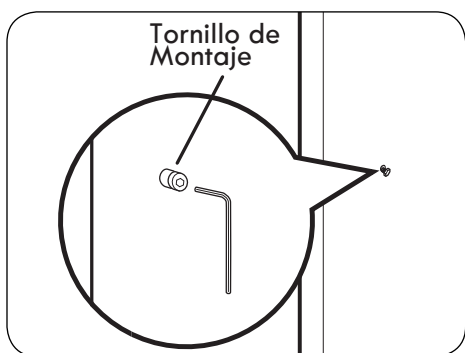


Afloje el tornillo inferior con una llave Allen de $3/32$ " y remueva la jaladera. La jaladera del congelador será la jaladera para el refrigerador cuando las puertas se hagan reversibles.

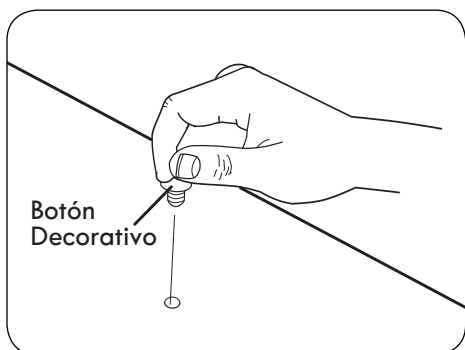
NOTE: Sostenga con su mano la jaladera mientras. Esta puede caer mientras afloja el tornillo superior.



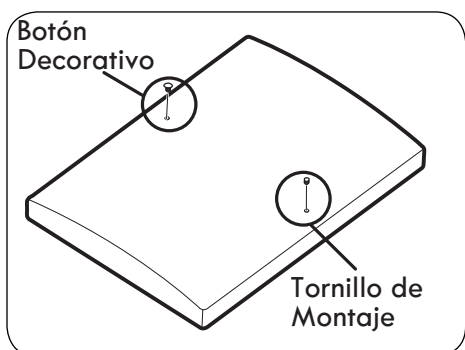
Aflove el tornillo de montaje con una llave Allen de 1/4".



Desatornille el botón decorativo con sus dedos rotándolo en contra de las manecillas del reloj.

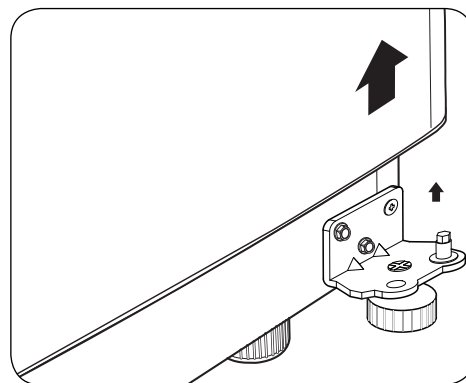
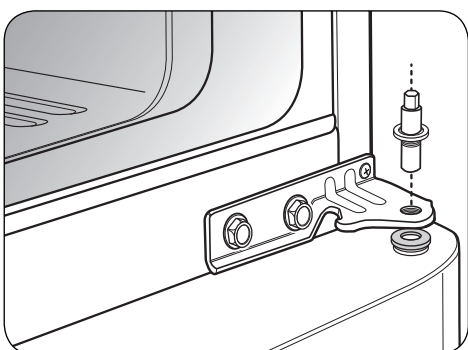


Instale los botones de conexión en el lado izquierdo y los tornillos de montaje del lado derecho.

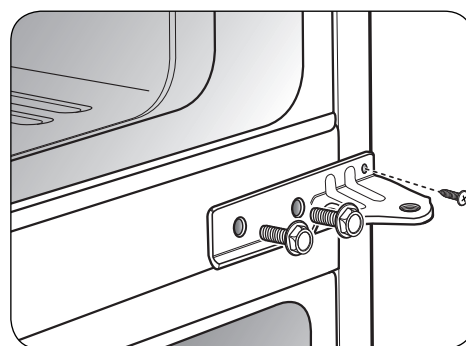


Utilizando una llave tubular de 1/4 pulgadas, aflove y quite el Pivote de Bisagra del Soporte del Pivote de Inserción de la Bisagra Central. Quite las arandelas debajo de la bisagra central y colóquelas a un lado.

NOTA: A este punto la puerta estará floja, levántela un poco y sáquela.

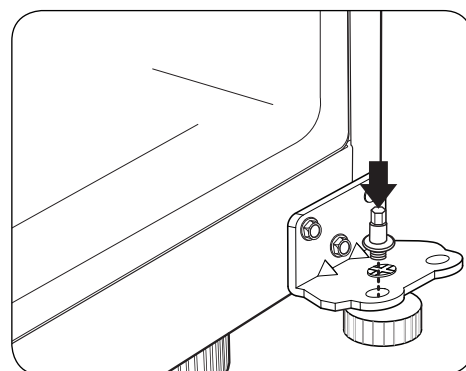
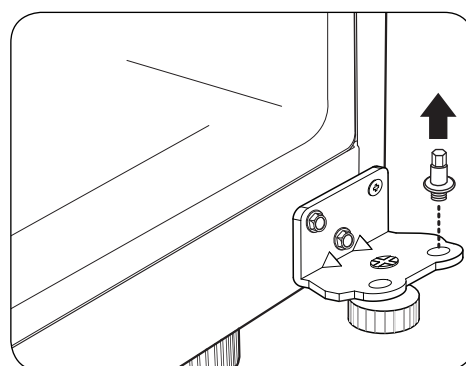


Aflove y quite los 2 tornillos y use el destornillador Phillips para quitar el Soporte de Bisagra Central del marco del refrigerador. Coloque las partes a un lado.



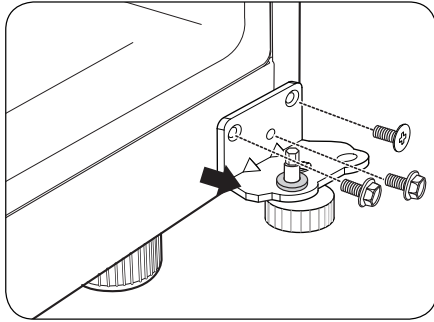
Quite las arandelas de Pivote de Bisagra Inferior. Utilizando una llave tubular de 1/4 pulgadas, aflove y quite el Pivote de Bisagra de la Bisagra Inferior. Vuelva a poner el Pivote de Bisagra al lado opuesto de la Bisagra.

NOTA: Esto es más fácil hacerlo cuando la Bisagra aún está puesta.

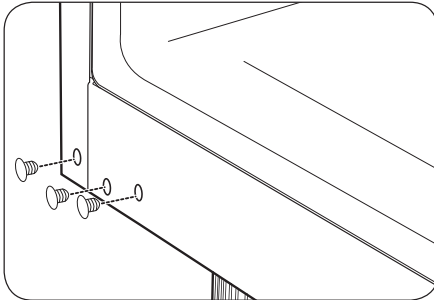


INSTALACIÓN DEL REFRIGERADOR

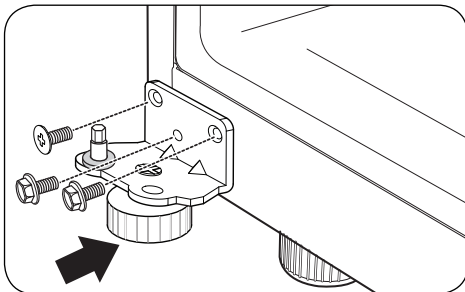
Utilizando una llave tubular de 10mm o de $13/32$ pulgadas con 2 pulgadas de extensión, afloje los 3 tornillos y quite la Bisagra Inferior del lado derecho del marco.



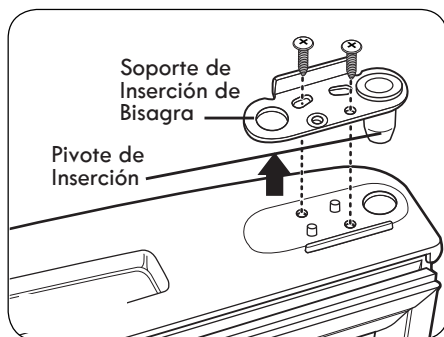
A este nivel, quite el Tornillo Decorativo que está en la parte inferior del marco del refrigerador del lado izquierdo. Necesitará el orificio para la Bisagra Inferior.



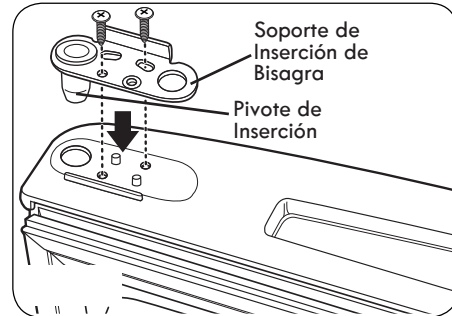
Mueva la Bisagra Inferior al lado izquierdo del marco, manteniendo la misma orientación, y vuelva a colocar con los 3 tornillos. Ahora mueva el Tornillo Decorativo al orificio en el lado derecho del marco.



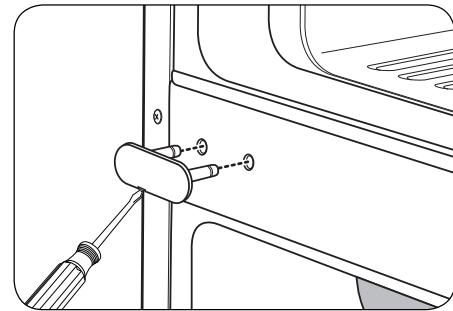
Coloque la puerta del refrigerador al revés en una superficie que no raye la puerta. Afloje los otros dos tornillos y quite el Soporte en conjunto con el Pivote de Inserción de Bisagra inferior.



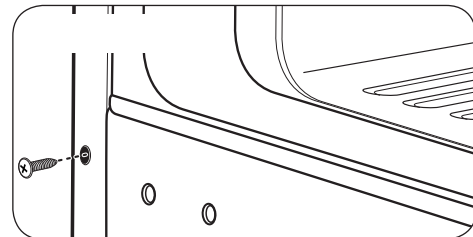
Saque el Pivote de Inserción de Bisagra y mueva el Soporte al otro lado de la puerta, manteniendo la misma orientación. Coloque el Pivote de Inserción de Bisagra en el lado izquierdo del soporte. Ajuste el Soporte del Pivote de Bisagra a la puerta.



Con un destornillador de cabeza plana, cuidadosamente levante y quite la tapa que está sobre los orificios de los tornillos en el lado izquierdo del marco del refrigerador.

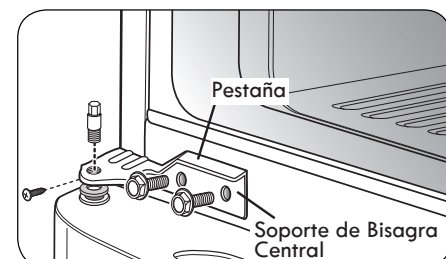


Quite el Tornillo Decorativo del marco de la parte inferior externa entre las puertas del congelador y el refrigerador. (Necesitará este orificio para el Soporte de la Bisagra Central)

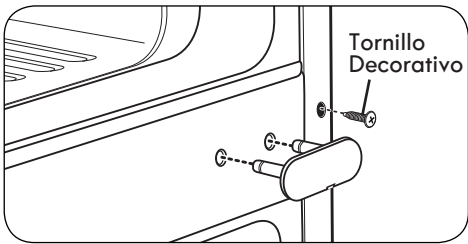


Siguiendo la ilustración, gire el Soporte de la Bisagra Central (la Pestaña quedará hacia arriba) y posicónela en el lado izquierdo del refrigerador y vuelva a unirla con dos tornillos y el destornillador Phillips. Coloque la puerta del refrigerador sobre el pivote de la bisagra inferior. Coloque la arandela entre la puerta del refrigerador y la bisagra central y vuelva a unir el Pivote de Bisagra al Soporte de Bisagra con una llave tubular de $1/4$ pulgadas.

NOTA: El soporte se ha girado, pero el Pivote de Bisagra se queda en la misma orientación con su lado hexagonal hacia arriba.

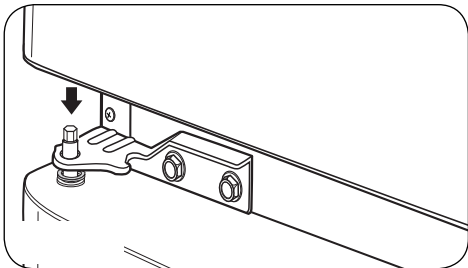


Coloque el Tornillo Decorativo en el orificio exterior del lado derecho del marco. Ponga la tapa en el lado derecho. La tapa se ajusta a la fuerza.

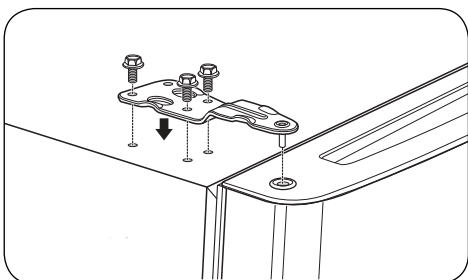


VOLVER A UNIR LA PUERTA DEL CONGELADOR

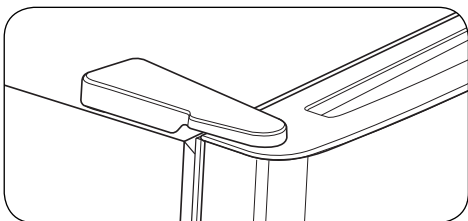
Coloque la puerta del congelador sobre el Pivote de Bisagra del Soporte del Pivote de Bisagra Central.



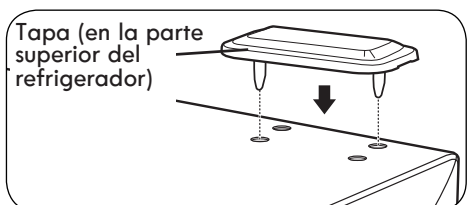
Coloque el Pivote de Bisagra Superior en la parte superior de la puerta del congelador y alinee la Bisagra Superior con los orificios en la parte superior del refrigerador. Utilice los 3 tornillos para volver a poner la Bisagra.



Ajuste los tornillos. Con fuerza ajuste la Tapa de la Bisagra Superior sobre la Bisagra Superior.

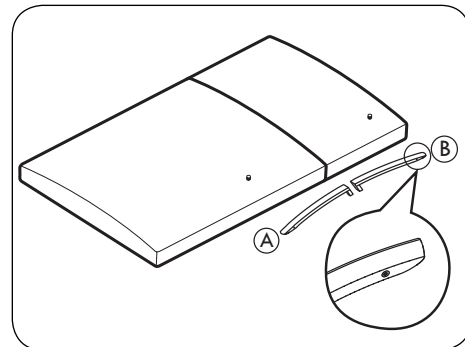
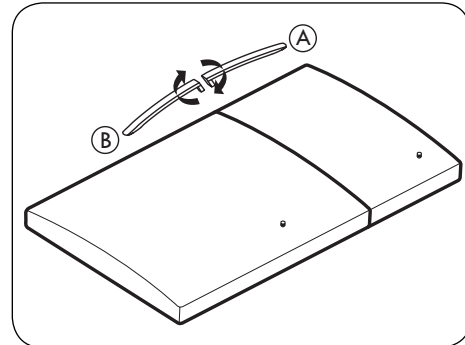


Reemplace la tapa del lado izquierdo del refrigerador al lado derecho superior para cubrir los orificios. La tapa también se ajusta con fuerza.

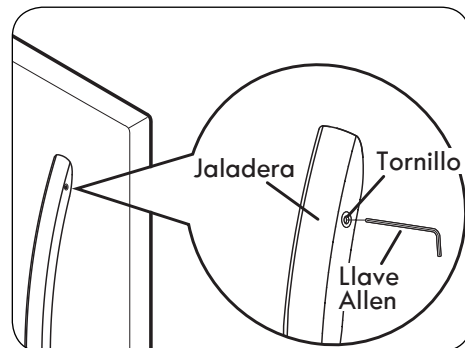


Rote las jaladeras. La jaladera del congelador muevala al refrigerador, y la jaladera del refrigerador muevala al congelador.

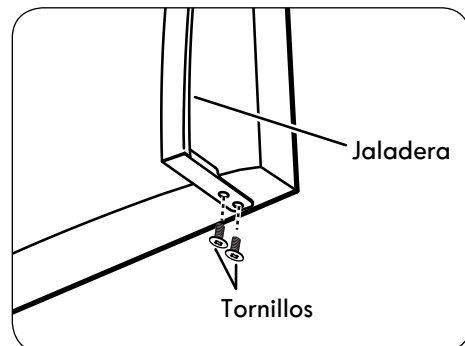
NOTE: Asegúrese de que los agujeros de las jaladeras están volteando hacia la parte externa de la puerta.



Instale la jaladera del congelador ajustando las huellas de la jaladera para que encajen con los sujetadores de montaje. Apriete los tornillos con una llave Allen de $\frac{13}{32}$ pulgadas.

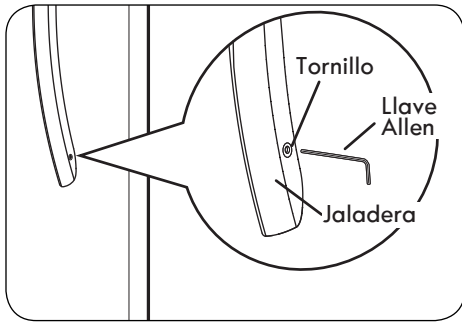


Instale los 2 tornillos debajo de la manija con un destornillador.

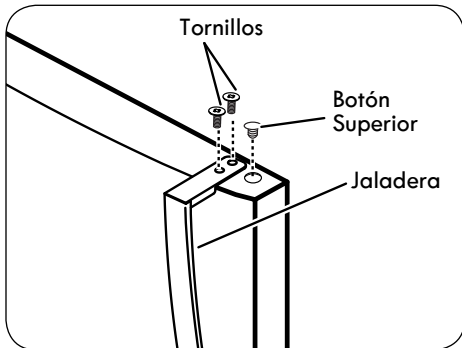


INSTALACIÓN DEL REFRIGERADOR

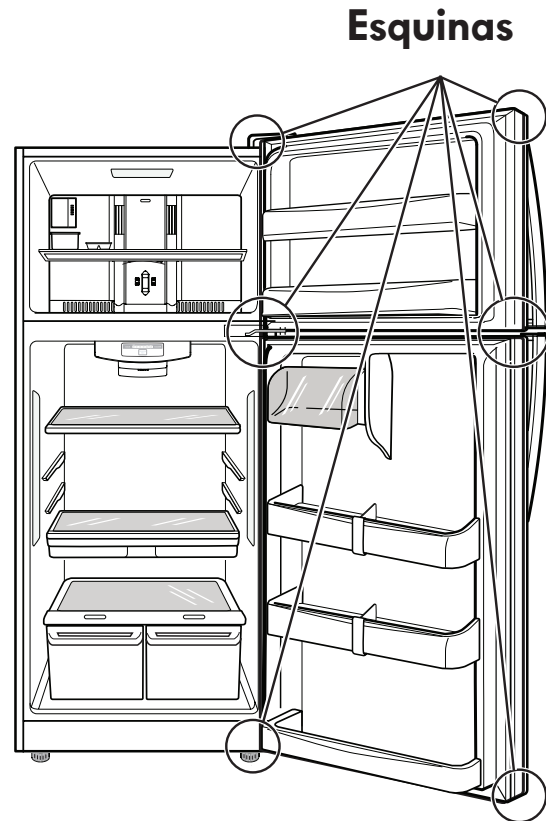
Instale la jaladera del refrigerador ajustando las huellas de la jaladera para que encajen con los sujetadores de montaje. Apriete los tornillos con una llave Allen de $13/32$ pulgadas.



Instale el botón superior y los 2 tornillos debajo de la manija con un destornillador.



Asegúrese que las cuatro esquinas de la junta de la puerta no este doblado. Para cerciorarse de un buen sellado, aplique una pequeña cantidad de silicon en la junta.



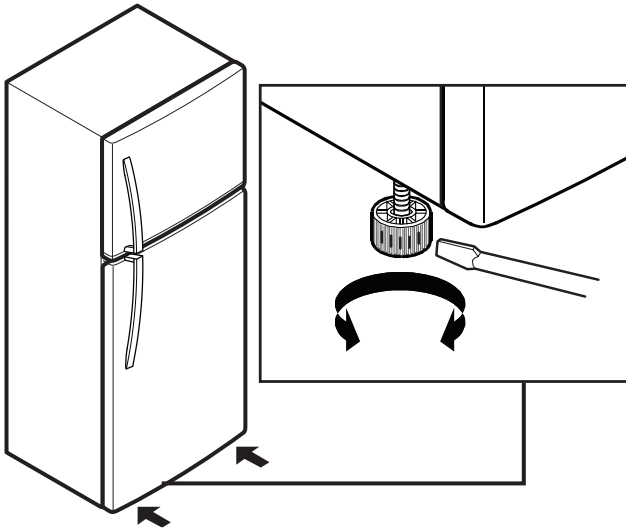
NIVELACIÓN

Para evitar la vibración, la unidad debe de estar nivelada. Si es necesario ajustar la nivelación para compensar desniveles del piso. El frente debe de ser ligeramente superior a la parte trasera para ayudar al cierre de la puerta.

Su refrigerador tiene dos Tornillos de Nivelación Frontales - uno en la derecha y uno en la izquierda. Si su refrigerador se ve inestable o usted quiere que las puertas cierren más fácilmente ajuste la inclinación siguiendo las siguientes instrucciones:

1. Conecte el cable en una toma de tierra de 3 puntas. Mueva el refrigerador hasta su posición final.
2. Los dos tornillos de nivelación están localizados en la parte inferior del refrigerador en cada lado.

NOTA: Teniendo a alguien que empuje en contra de la parte superior del refrigerador quita algo de peso de los tornillos de nivelación. Esto hace más fácil ajustar los tornillos.



3. Abra ambas puertas otra vez y revise que cierren fácilmente. Si no, incline más el refrigerador ligeramente para rotar los tornillos de nivelación a favor de las manecillas de reloj. Esto puede tomar varios intentos y debe de girar los dos tornillos la mismas veces.

ALINEAMIENTO DE PUERTAS

Si el espacio entre sus puertas es desigual, siga las siguientes instrucciones para la alineación de las puertas.

1. Levante la cubierta de la bisagra superior de la puerta del refrigerador con un destornillador de cabeza plana y remuévala. Afloje los pernos de la bisagra superior utilizando una llave con dados de 10mm or 13/32 pulgadas.
2. Pídele a otra persona que sostenga la puerta del congelador para que el espacio de las dos puertas sea equitativo y apriete los pernos de la bisagra.
3. Reemplace la cubierta de la bisagra superior.

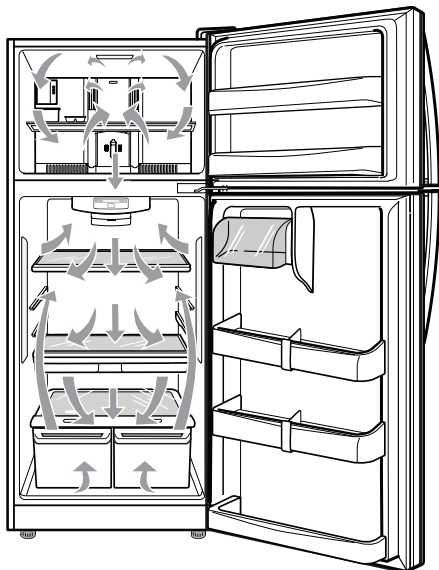
USO DEL REFRIGERADOR

CONFIGURANDO LOS CONTROLES

FLUJO DE AIRE

Para obtener temperaturas estables, el aire debe fluir entre las secciones del congelador y refrigerador. Como se muestra en la ilustración de abajo, el aire frío entra a través de la parte superior del congelador y circula hacia abajo. Del fondo del congelador el aire forzando hasta la parte superior del refrigerador. El aire entra a través de la ventila superior, después circula en la parte inferior donde vuelve al congelador.

No bloquee ninguna de estas ventilas de aire fresco con paquetes de comida. Si las ventilas se bloquean, el flujo de aire se interrumpe, lo que puede ocasionar problemas de humedad y temperatura.

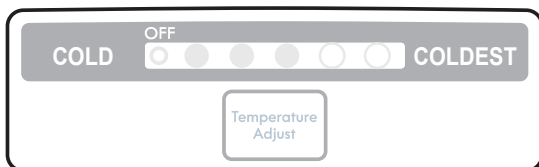


TEMPERATURA

Cada vez que cambie los ajustes de los controles, debe esperar 24 horas antes de realizar ajustes adicionales. Los controles están correctamente ajustados cuando la leche o el zumo están a la temperatura fría de su gusto y el helado está firme. Si la temperatura es demasiado fría o demasiado caliente en alguno de los compartimientos, cambie el ajuste en incrementos de un grado cada vez. Espere 24 horas a que se estabilice la temperatura antes de volver a ajustarla.

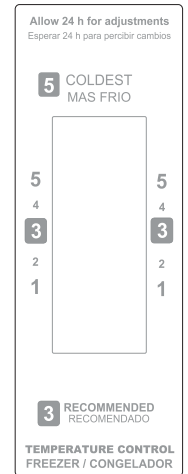
AJUSTE DE TEMPERATURAS

presione el botón de ajustar la temperatura hasta que prenda la luz LED número 3. Deje el refrigerador con esta configuración por al menos 24 horas para alcanzar una temperatura correcta. Luego de 24 horas, ajuste la temperatura del compartimiento como desee.



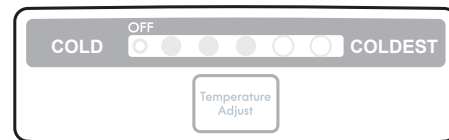
CONTROL DEL CONGELADOR

Gire el dial de temperatura hacia arriba o hacia abajo para ajustar la temperatura. Gire el dial para una temperatura más fría o hacia abajo para una temperatura más cálida.



Demostración (Para uso exclusivo de la tienda)

El modo demostración deshabilita el sistema de enfriado; únicamente las lamparas y el control de temperatura trabajan correctamente.



Para deshabilitar:

Para deshabilitar presiona el botón TEMPERATURE ADJUST hasta llegar al nivel deseado de temperatura y la luz de OFF se apague.

GUÍA PARA EL ALMACENAMIENTO DE ALIMENTOS

Envuelva o almacene los alimentos en el refrigerador dentro de materiales herméticos y antihumedad, a menos que se indique lo contrario. Esto evitará que el olor y sabor de los alimentos se transfiera por todo el refrigerador. Para productos con fecha de caducidad, compruebe el código de fecha para garantizar la frescura.

Elementos	Cómo
Mantequilla o margarina	► Conserve la mantequilla abierta en un plato cubierto o en un compartimiento cerrado. Cuando se almacena una cantidad extra, envuélvala en una bolsa para congelar y congélela.
Queso	► Almacene en el envoltorio original hasta que esté listo para consumirlo. Una vez abierto, vuelva a envolverlo herméticamente en un envoltorio plástico o en papel de aluminio.
Leche	► Limpie los cartones de leche. Para un mejor almacenamiento, coloque la leche en los estantes interiores.
Huevos	► Almacénelos en el cartón original en un estante interior, no en un estante de la puerta.
Fruta	► Lave, deje secar y almacénela en el refrigerador, dentro de bolsas de plástico o en el cajón para verduras. No lave ni pele la fruta hasta justo antes de su consumo. Organice y mantenga la fruta en su contenedor original, en el cajón para la verdura, o almacénela en una bolsa de papel completamente cerrada en un estante del refrigerador.
Verdura con hoja	► Retire el envoltorio comercial y corte o arranque las zonas magulladas o decoloradas. Lave en agua fría y deje escurrir. Colóquela en una bolsa o un contenedor de plástico, y almacénela en el cajón para verduras.
Vegetales con piel (zanahorias, pimientos)	► Colóquelos en una bolsa o un contenedor de plástico, y almacénelos en el cajón para verduras.
Pescado	► Consuma el pescado y el marisco fresco el mismo día de su adquisición.
Sobras	► Cubra las sobras con un envoltorio plástico, papel de aluminio o dentro de contenedores de plástico con tapas herméticas.

ALMACENAMIENTO DE ALIMENTOS CONGELADOS

NOTA: Consulte una guía de congelación o un libro de cocina fiable para obtener más información sobre la forma de preparar los alimentos para su congelación o sobre los tiempos de almacenamiento de los alimentos congelados.

Congelación

El congelador no congelará rápidamente una gran cantidad de alimentos. No coloque más alimentos sin congelar en el congelador que los que se congelarán en 24 horas (no más de 1 o 1,5 kg de alimento por cada 30 litros de espacio en el congelador). Deje suficiente espacio en el congelador para que el aire pueda circular entre los paquetes. Tenga cuidado de dejar suficiente espacio en la parte delantera para que se pueda cerrar la puerta herméticamente.

Los tiempos de almacenamiento variarán en función de la calidad y el tipo de alimento, el tipo de envase o envoltorio utilizado (si son herméticos y antihumedad) y la temperatura de almacenamiento. La aparición de cristales de hielo dentro de un paquete sellado es normal. Esto sólo significa que la humedad del alimento y del aire del interior del paquete se ha condensado, creando cristales de hielo.

NOTA: Deje que los alimentos calientes se enfríen a temperatura ambiente durante 30 minutos y, a continuación, empaquételos y congélelos. Enfriar alimentos calientes antes de congelarlos ahorra energía.

Empaquetamiento

Una congelación correcta depende de un empaquetamiento adecuado. Cuando se cierra y sella el paquete, no debe dejar que entre ni salga aire ni humedad. Si eso sucede, es posible que el olor y el sabor de los alimentos se transfieran por todo el refrigerador y también se podrían resecar los alimentos congelados.

Recomendaciones de empaquetamiento:

- Contenedores de plástico rígido con tapas herméticas
- Tarros de congelación / enlatado con lados rectos
- Papel de aluminio grueso
- Papel con revestimiento plástico
- Envoltorios plásticos no permeables
- Bolsas de plástico con autosellado y calidad específica apta para congelador

Siga las instrucciones del contenedor o paquete para unos métodos de congelación adecuados.

No usar

- Envoltorios de pan
- Contenedores de plástico que no sean de polietileno
- Contenedores sin tapas herméticas
- Papel de cera o envoltorio para congelador revestidos de cera
- Envoltorio fino y semipermeable

⚠ PRECAUCIÓN: No almacene latas de bebidas o contenedores de comida de plástico en el compartimiento del congelador. Podrían romperse o estallar al congelarse.

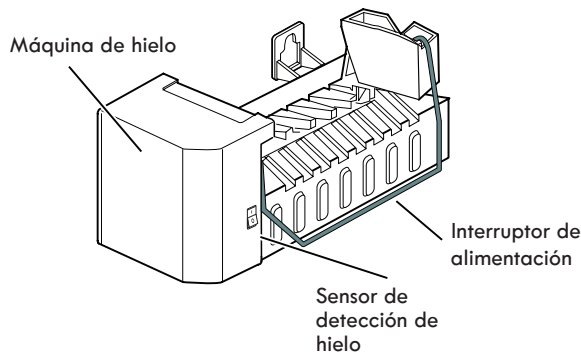
MÁQUINA DE HIELO AUTOMÁTICA (algunos modelos)

El hielo se fabrica en la máquina de hielo automática y se envía al dispensador. La máquina de hielo puede fabricar 10 cubitos por cada ciclo (aproximadamente 100-130 cubitos en un período de 24 horas), en función de la temperatura del compartimiento del congelador, la temperatura ambiente, el número de puertas abiertas y otras condiciones de funcionamiento.

- Un refrigerador recién instalado tardará entre 12 y 24 horas en empezar a fabricar hielo. Espere 72 horas para que comience la fabricación de hielo.
- La fabricación de hielo se detiene cuando se llena el depósito de hielo. En ese caso, el depósito de hielo contiene aproximadamente de 6 a 8 (12-16 oz) vasos de hielo.
- Para apagar la máquina de hielo automática, ponga el interruptor de la máquina en posición **OFF (O)**. Para encender la máquina de hielo automática, ponga el interruptor en posición **ON (I)**.
- La presión del agua debe estar entre los 20 y los 120 psi en modelos sin filtro de agua, y entre los 40 y 120 psi en modelos con filtro de agua para fabricar cubitos de hielo en la cantidad y tamaño normales.

⚠ ADVERTENCIA

- Deseche las primeras tandas de hielo (aproximadamente 24 cubitos). Esto también es necesario si el refrigerador no se usa durante un largo período de tiempo.
- Nunca almacene latas de bebidas u otros artículos en el depósito de hielo con el propósito de que se enfríen rápidamente. Si lo hace, podría dañar la máquina de hielo o los contenedores podrían estallar.
- Nunca use vasos de cristal fino o recipientes de loza para recoger hielo. Ese tipo de contenedores podrían descascarillarse o romperse, y podrían caer fragmentos de cristal al hielo.



CUÁNDO DEBERÍA AJUSTAR LA MÁQUINA DE HIELO INTERRUPTOR DE ALIMENTACIÓN EN POSICIÓN OFF (O)

- Cuando el suministro de agua vaya a estar interrumpido durante varias horas.
- Cuando se retire el depósito de hielo durante más de uno o dos minutos.
- Cuando no se vaya a usar el refrigerador durante varios días.

NOTA: Se debe vaciar el depósito de hielo cuando el interruptor de ENCENDIDO/APAGADO de la máquina de hielo se cambie a la posición **OFF**.

⚠ ADVERTENCIA

Peligro de lesiones personales

NO coloque sus dedos o manos en el mecanismo automático de hacer hielo mientras el refrigerador está enchufado.

SONIDOS NORMALES QUE SE PUEDEN ESCUCHAR

- La válvula de agua de la máquina de hielo emite un zumbido cuando la máquina se llena de agua. Si el interruptor de alimentación está en posición **ON (I)**, emitirá un zumbido incluso aunque aún no se haya conectado al agua. Para detener el zumbido, mueva el interruptor de alimentación a la posición **OFF (O)**.

NOTA: Mantener el interruptor de alimentación en posición **ON (I)** antes de conectar la tubería de agua podría dañar la máquina de hielo.

- Oírás el sonido de los cubitos de hielo al caer en el depósito y el agua corriendo por las tuberías cuando se rellena la máquina de hielo.

PREPARACIÓN PARA LAS VACACIONES

Ponga el interruptor de la máquina de hielo en posición **OFF (O)** y corte el suministro de agua al refrigerador.

NOTA: Se debe vaciar el depósito de hielo siempre que el interruptor de ENCENDIDO/APAGADO de la máquina de hielo se cambie a la posición **OFF (O)**.

Si la temperatura ambiente cae por debajo del punto de congelación, póngase en contacto con un técnico calificado para que purgue el sistema de suministro de agua para evitar graves daños materiales debidos a las inundaciones provocadas por la rotura de las tuberías o conexiones de agua.

ESTANTES DEL REFRIGERADOR

Los estantes en su refrigerador son ajustables para cumplir con sus necesidades de almacenamiento. Todos los estantes en esta unidad son de cristal.

Almacenar artículos similares juntos en su refrigerador y ajustar los estantes para los diferentes tamaños de ciertos artículos hará que su búsqueda de un artículo específico sea más fácil; también reducirá el tiempo que la puerta del refrigerador se queda abierta, ahorrando energía.

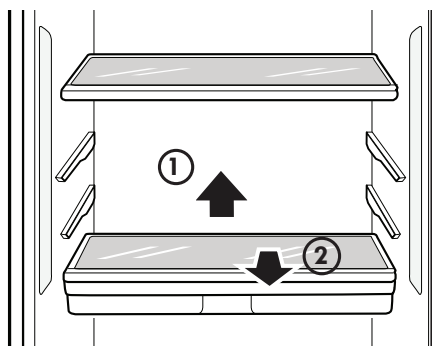
IMPORTANTE: No limpie los estantes de cristal con agua tibia cuando estén fríos. Pueden romperse si se exponen a un cambio súbito de temperatura o impacto como el de un tropiezo. Para su protección, los estantes de cristal están hechos con cristal templado, que se rompe en pequeños pedazos.

NOTA: Los estantes de cristal son pesados. Utilice cuidado especial al sacarlos para evitar que se le caiga.

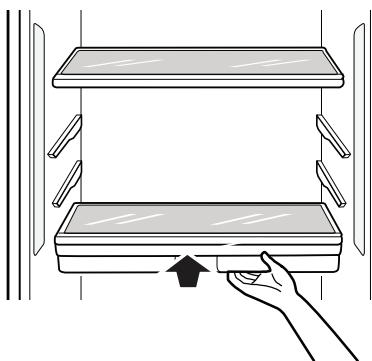
Estantes Ajustables

Cambie los estantes de la posición de envío a la posición que desea.

Para sacar un estante: Levante la parte de atrás del estante y jale el estante hacia afuera.



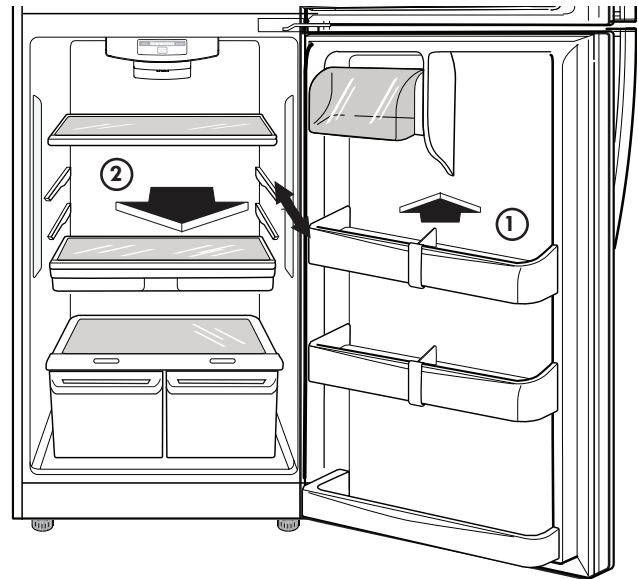
Para cambiar de lugar un estante: Deslice el estante hasta que pare.



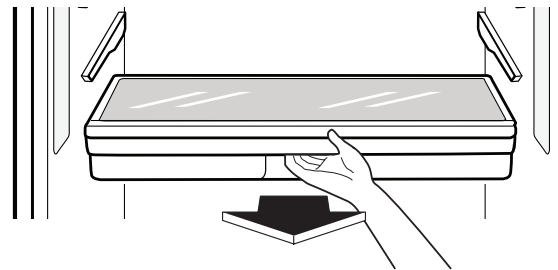
CAJÓN PANTRY

Para remover el cajón pantry:

Retire los recipientes de la puerta antes de retirar o reemplazar el cajón de despensa.



Aguante la gaveta por la manija, jale hacia al frente hasta que pare la gaveta, levante y saque.



RECIPIENTE PARA HIELO (en algunos modelos)

Para hacer hielo:

- Vierta agua hasta el nivel indicado en la imagen. No lo desborde de agua, o los cubos de hielo serán difíciles de sacar.
- Para congelar rápidamente, ajusta el disco del congelador a 3.



Para sacar los cubos de hielo, tuerza el recipiente:

- No doble el recipiente para hielo. Hacerlo resultaría en daño al recipiente.
- Para sacar fácilmente los cubos de hielo, vierta agua en la parte de atrás del recipiente o remoje en agua antes de sacar los hielos.



CAJÓN CON CONTROL DE HUMEDAD

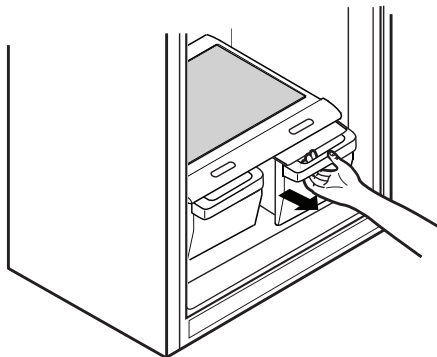
Los cajones para verduras mantienen el sabor y la frescura de la fruta y la verdura al permitir controlar fácilmente la humedad dentro del cajón.

Para controlar la cantidad de humedad en los cajones para verduras con sellado antihumedad, ajuste el control en cualquier posición entre **VEGETABLES** (verdura) y **FRUIT** (fruta).

- **VEGETABLES** mantiene un aire húmedo en el cajón para un mejor almacenamiento de las verduras frescas y de hoja.
- **FRUIT** mantiene el aire húmedo fuera del cajón para un mejor almacenamiento de la fruta.

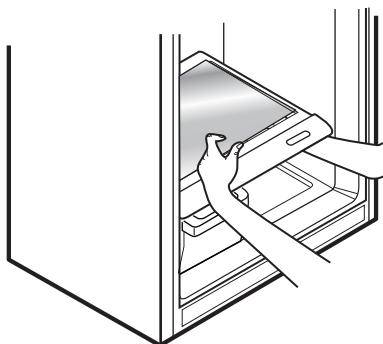
DESMONTAJE DEL CAJÓN CON CONTROL DE HUMEDAD:

1. Jale la gaveta de la sección del compartimiento de verduras hasta el punto de detención.
2. Levante la gaveta y hale hacia usted para sacarla.
3. Para volverla a colocar, deslice la gaveta completamente hacia atrás pasar el punto de detención.



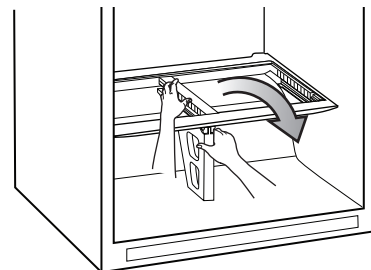
Para sacar el cristal del compartimiento de verduras:

1. Saque las gavetas del compartimiento de verduras.
2. Para sacar el cristal encima del compartimiento de verduras, alcance llegar por debajo del cristal y levante.
3. Saque el cristal hacia arriba.



Para sacar la tapa del compartimiento de verduras:

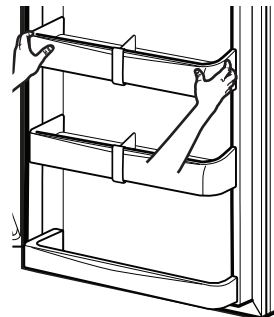
1. Saque ambas gavetas del compartimiento.
2. Sacar el cristal del compartimiento de verduras.
3. Mientras sujeta el soporte y la tapa del compartimiento de verduras, jale ambos hacia arriba y hacia afuera.



ANAQUELES EN LA PUERTA DEL REFRIGERADOR

Los anaqueles de puerta se pueden sacar para fácil limpieza.

1. Para sacar los anaqueles, empuje los lados del anaquel mientras levanta. El anaquel saldrá fácilmente.

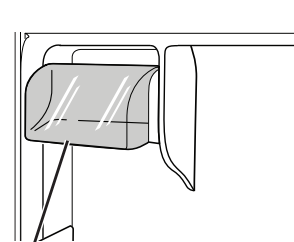


2. Para volver a colocar los anaqueles, empuje hacia adentro y hacia abajo en el set de soportes deseados.

NOTA: Algunos contenedores pueden variar en apariencia y sólo encajan en un solo lugar.

COMPARTIMIENTO DE LÁCTEOS

1. Para sacar el compartimiento de lácteos, simplemente levante y saque.
2. Para volverlo a colocar, deslícelo sobre las ranuras de soporte deseadas y empuje hasta que se detenga.



CUIDADO Y LIMPIEZA

! ADVERTENCIA



Riesgo de explosión

Use un limpiador no inflamable. Si no se respeta esta advertencia, existe peligro de explosión, incendio o muerte.

Tanto las secciones refrigerador como congelador se descongelan de forma automática; sin embargo, se recomienda limpiar ambas secciones una vez al mes para evitar la aparición de olores. Seque los derrames inmediatamente.

SUGERENCIAS GENERALES DE LIMPIEZA

- Desenchufe el refrigerador o desconecte la alimentación.
- Retire todos los componentes extraíbles, como estantes, cajones, etc. Consulte las secciones en **Uso del refrigerador** para obtener instrucciones acerca del desmontaje.
- Use una esponja limpia o un trapo suave, junto con un detergente suave en agua templada. No utilice limpiadores abrasivos o agresivos.
- Lave a mano, aclare y seque todas las superficies a fondo.
- Enchufe el refrigerador o vuelva a conectar la corriente.

EXTERIOR

El encerado de las superficies metálicas pintadas externas proporciona una protección contra el óxido. No encere las piezas de plástico. Encere las superficies metálicas pintadas al menos dos veces al año con cera para electrodomésticos (o cera en pasta para coches). Aplique la cera con un trapo suave y limpio.

Para productos con un exterior en acero inoxidable, use una esponja limpia o un trapo suave, junto con un detergente suave en agua templada. No utilice limpiadores abrasivos o agresivos. Seque a fondo con un trapo suave.

PAREDES INTERIORES (deje que el congelador se caliente para que el trapo no se quede pegado)

Para ayudarle a eliminar los olores, puede lavar el interior del refrigerador con una mezcla de bicarbonato sódico y agua templada. Mezcle 2 cucharadas soperas de bicarbonato sódico (unos 26 g) en 1 litro de agua. Asegúrese de que el bicarbonato sódico esté completamente disuelto para que no raye las superficies del refrigerador.

! PRECAUCIÓN: Cuando esté limpiando el interior, no pulverice agua.

REVESTIMIENTO DE LAS PUERTAS Y JUNTAS

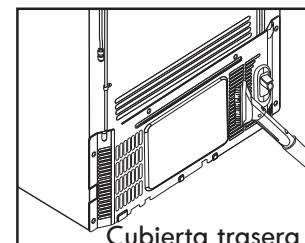
Use una esponja limpia o un trapo suave, junto con un detergente suave en agua templada. No utilice ceras de limpieza, detergentes concentrados, lejías ni limpiadores que contengan petróleo en las piezas del refrigerador que son de plástico.

PIEZAS DE PLÁSTICO (tapas y paneles)

Use una esponja limpia o un trapo suave, junto con un detergente suave en agua templada. No utilice sprays para ventanas, limpiadores abrasivos ni líquidos inflamables, ya que pueden arañar o dañar el material.

BOBINAS DEL CONDENSADOR

Use un aspirador con un accesorio para limpiar las bobinas del condensador y las rejillas de ventilación. No retire el panel que cubre el área de las bobinas del condensador.



! ADVERTENCIA

Riesgo de descargas eléctricas

Antes de reemplazar la bombilla de un compartimento, desenchufe el refrigerador o corte la corriente en el disyuntor o en la caja de fusibles.

INTERRUPCIONES DE ALIMENTACIÓN

1. Si la interrupción de la corriente durará 24 horas o menos, mantenga todas las puertas del refrigerador cerradas para que los alimentos permanezcan fríos y congelados.
2. Si la interrupción de la corriente durará más de 24 horas, saque todos los alimentos congelados y almacénelos en un arcón congelador.

CUANDO SE VA DE VACACIONES

Si decide dejar encendido el refrigerador mientras está fuera, siga estos pasos para preparar el refrigerador antes de irse.

1. Consuma los alimentos perecederos y congele los demás.
2. Apague la máquina de hielo y vacíe el depósito de hielo.

Si decide apagar el refrigerador antes de partir, siga estos pasos.

1. Saque todos los alimentos del refrigerador.
2. En función del modelo, ajuste el control del termostato (control del refrigerador) en OFF. Consulte la sección **Ajuste de los controles**.
3. Limpie el refrigerador y séquelo a fondo.
4. Con cinta adhesiva, coloque bloques de madera o goma en la parte superior de ambas puertas para mantenerlas lo suficientemente abiertas para que pueda pasar el aire. Esto evitará la aparición de moho y malos olores.

CUANDO SE MUDA

Cuando vaya a trasladar su refrigerador a una nueva casa, siga estos pasos para prepararlo para la mudanza.

1. Saque todos los alimentos del refrigerador y empaquete todos los alimentos congelados en hielo seco.
2. Desenchufe el refrigerador.
3. Lávelo y séquelo a fondo.
4. Retire todos los componentes extraíbles, envuélvalos bien y, con cinta adhesiva, embálelos juntos para que no se muevan ni traqueteen durante la mudanza. Consulte la sección **Uso del refrigerador** para obtener instrucciones sobre componentes extraíbles.
5. En función del modelo, levante la parte delantera del refrigerador para que ruede con más facilidad. **O BIEN** atornille los pies de nivelación para que no rayen el suelo. Consulte la sección **Cierre de las puertas**.
6. Use cinta adhesiva para mantener las puertas cerradas y para pegar el cable de alimentación al cuerpo del refrigerador.

Cuando llegue a su nueva casa, vuelva a colocar todo en su sitio y consulte la sección **Instalación del refrigerador** para obtener las instrucciones de preparación.

CONEXIÓN DE LA TUBERÍA DE AGUA

ANTES DE EMPEZAR

Esta instalación de la tubería de agua no está cubierta por la garantía del refrigerador. Siga estas instrucciones con cuidado para minimizar el riesgo de costosos daños debidos al agua.

El golpe de ariete (golpeteo del agua en las tuberías) en la fontanería de la casa podría dañar componentes del refrigerador y provocar una fuga o una inundación de agua. Llame a un fontanero calificado para resolver el golpe de ariete antes de instalar la tubería de suministro de agua en el refrigerador.

Para evitar quemaduras y daños en el producto, conecte solamente el tubo de agua del refrigerador a un suministro de agua fría.

Si va a usar el refrigerador antes de conectar la tubería de agua, asegúrese de que el interruptor de alimentación de la máquina de hielo está en la posición **OFF (O)**.

No instale la tubería de la máquina de hielo en zonas donde las temperaturas descienden por debajo del punto de congelación.

PRESIÓN DEL AGUA

Un suministro de agua fría. La presión del agua debe estar entre los 20 y los 120 psi en modelos sin filtro de agua, y entre los 40 y 120 psi en modelos con filtro de agua.

Si se conecta un **sistema de filtración de agua de ósmosis inversa** al suministro de agua fría, esta instalación de la tubería de agua no está cubierta por la garantía del refrigerador. Siga estas instrucciones con cuidado para minimizar el riesgo de costosos daños debidos al agua.

Si se conecta un **sistema de filtración de agua de ósmosis inversa** al suministro de agua fría, la presión de agua al sistema de ósmosis inversa debe ser como mínimo de entre 40 y 60 psi (2,8 kgf/cm² ~ 4,2 kgf/cm², menos de 2,0~3,0 segundos en llenar una taza de 200 cc de capacidad).

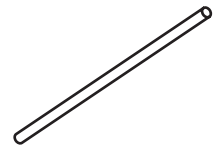
Si la presión del agua procedente del sistema de ósmosis inversa es inferior a 21 psi o 1,5 kgf/cm² (tarda más de 4 segundos en llenar una taza de 200 cc de capacidad):

- Compruebe si el filtro de sedimentos del sistema de ósmosis inversa está bloqueado. Reemplace el filtro si es necesario.
- Después de un uso intensivo, déle tiempo al depósito de almacenamiento del sistema de ósmosis inversa para que se llene.
- Si el problema relacionado con la presión de agua procedente de la ósmosis inversa persiste, llame a un fontanero calificado.
- Todas las instalaciones deben realizarse conforme a los requisitos de los códigos locales de fontanería.

⚠ PRECAUCIÓN: Use gafas protectoras durante la instalación para evitar lesiones.

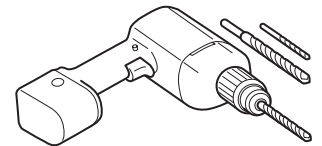
QUÉ NECESITARÁ

- **Tubería de cobre**, de 1/4 de pulgada de diámetro, para conectar el refrigerador al suministro de agua. Asegúrese de que ambos extremos de la tubería están cortados a escuadra.
- Para determinar la cantidad de tubería que necesita: mida la distancia desde la válvula de agua situada en la parte posterior del refrigerador a la tubería del suministro de agua. A continuación, súmele 2,4 metros (8 pies). Asegúrese de que haya suficiente tubería adicional (aproximadamente 2,4 metros [8 pies] enrollada en 3 vueltas de unos 25 cm [10 pulg.] de diámetro) para permitir que se pueda despegar el refrigerador de la pared después de la instalación.

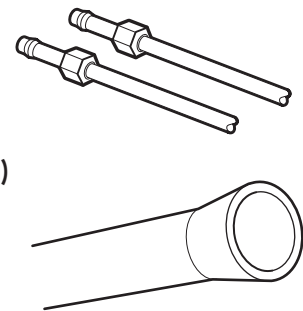


- **Taladro eléctrico.**
- **Llave de 1/2 pulg. o una llave inglesa.**
- **Destornilladores de punta plana y de estrella.**

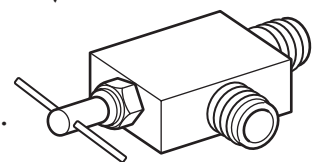
- **Dos tuercas de compresión con un diámetro exterior de 1/4 de pulg. y 2 abrazaderas** para unir el tubo de cobre a la válvula de corte y a la válvula de agua del refrigerador.



- Si la tubería de agua de cobre existente tiene una conexión abocinada en el extremo, necesitará un **adaptador (disponible en cualquier ferretería)** para conectar la tubería de agua al refrigerador O puede cortar la conexión abocinada con un cortatubos y, a continuación, usar una tuerca de unión.



- **Una válvula de corte para conectar a la tubería de agua fría.** La válvula de corte debería tener una entrada de agua con un diámetro interior mínimo de 5/32 pulg. en el punto de conexión con la TUBERÍA DE AGUA FRÍA. Las válvulas de corte de montura se incluyen en muchos kits de suministros de agua. Antes de comprarla, asegúrese de que la válvula de montura cumple con los códigos locales de fontanería.



NOTA: No se debe usar una válvula de agua de tipo de montura autopercutor.

INSTRUCCIONES DE INSTALACIÓN

⚠ ADVERTENCIA

Riesgo de descargas eléctricas

Si usa un dispositivo eléctrico (como un taladro) durante la instalación, asegúrese de que esté alimentado por batería y que tenga doble aislamiento o que esté correctamente conectado a tierra de manera que evite el riesgo de una descarga eléctrica.

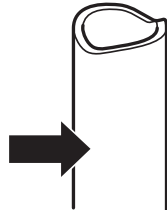
Instale la válvula de corte cerca de la tubería de agua potable que más se usa.

1. CORTE EL SUMINISTRO DE AGUA PRINCIPAL

Abra el grifo más cercano para liberar la presión de la línea.

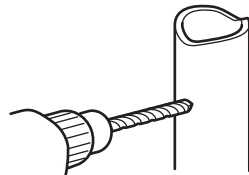
2. ELIJA LA UBICACIÓN DE LA VÁLVULA

Elija una ubicación para la válvula a la que se pueda acceder fácilmente. Es mejor conectarla en el lateral de una tubería de agua vertical. Cuando sea necesario conectarla en una tubería de agua horizontal, realice la conexión en la parte superior o lateral, en lugar de conectarla a la parte inferior, para evitar la acumulación de sedimentos de la tubería de agua.



3. TALADRE EL ORIFICIO PARA LA VÁLVULA

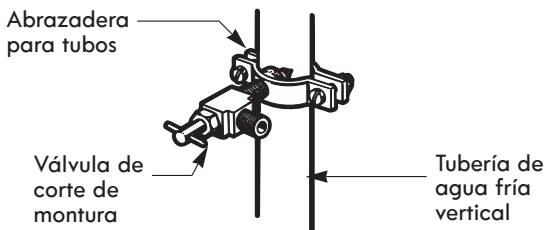
Taladre un orificio de 1/4 pulg. en la tubería de agua mediante una punta afilada. Quite todas las rebabas resultantes de taladrar el orificio en la tubería. Tenga cuidado de que no caiga agua en el taladro. Si no se taladra un orificio de 1/4 de pulg., podría verse reducida la producción de hielo y el tamaño de los cubitos.



NOTA: La tubería de conexión no puede ser una tubería blanca de plástico. Los fontaneros autorizados sólo deben usar tuberías de cobre NDA #49595 o 49599 o tuberías PEX (polietileno reticulado).

4. FIJE LA VÁLVULA DE CORTE

Fije la válvula de corte a la tubería de agua fría con la abrazadera para tubos.

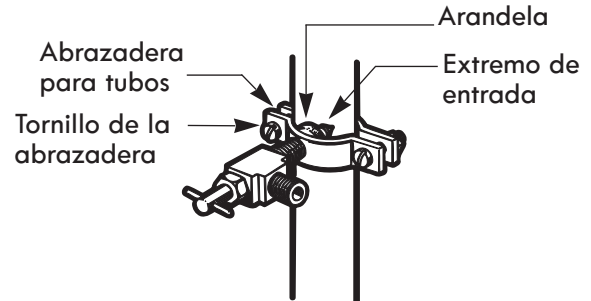


NOTA: Se deben cumplir los códigos de fontanería 248CMR del Estado de Massachusetts. Las válvulas de montura son ilegales y no se permite su uso en Massachusetts. Consulte a su fontanero autorizado.

5. APRIETE LA ABRAZADERA PARA TUBOS

Apriete los tornillos de la abrazadera hasta que la arandela de sellado comience a hincharse.

NOTA: Tenga cuidado de no sobreapretar la abrazadera, ya que podría romper la tubería.



6. ENCAMINE LA TUBERÍA

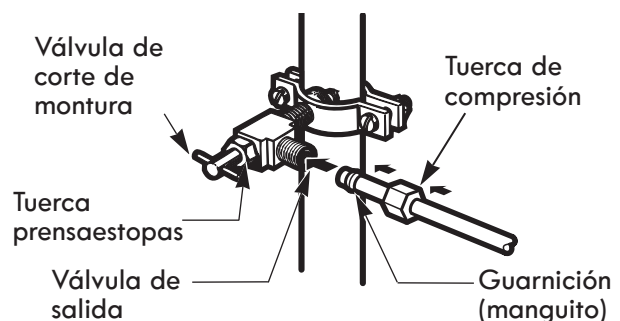
Encamine la tubería entre la tubería de agua fría y el refrigerador.

Encamine la tubería a través de un orificio taladrado en la pared o suelo (detrás del refrigerador o junto a la base del aparato) lo más cerca de la pared que sea posible.

NOTA: Asegúrese de que haya suficiente tubería adicional (aproximadamente 2,4 metros enrollada en 3 vueltas de unos 25 cm diámetro) para permitir que se pueda despegar el refrigerador de la pared después de la instalación.

7. CONECTE LA TUBERÍA A LA VÁLVULA

Coloque la tuerca de compresión y la abrazadera para la tubería de cobre en el extremo de la tubería y conéctela a la válvula de corte. Asegúrese de que la tubería está completamente insertada en la válvula. Apriete la tuerca de compresión con fuerza.



NOTA: Se deben cumplir los códigos de fontanería 248CMR del Estado de Massachusetts. Las válvulas de montura son ilegales y no se permite su uso en Massachusetts. Consulte a su fontanero autorizado.

8. DRENE LA TUBERÍA

Gire el suministro principal de agua hacia la derecha y drene la tubería hasta que el agua esté clara.

Cierre la llave, así como la válvula hasta que 1 cuarto (1 litro) de agua haya sido drenada a través de la tubería.



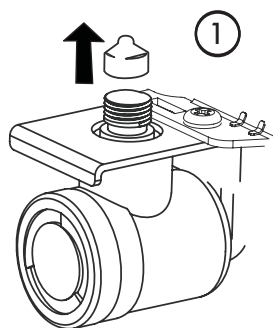
9. CONECTE LA TUBERÍA AL REFRIGERADOR

NOTAS:

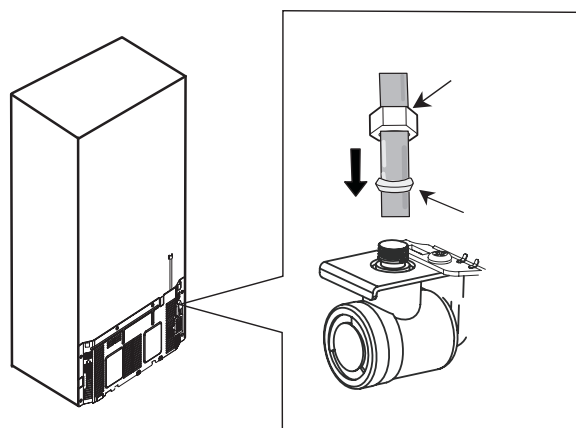
Antes de hacer la conexión al refrigerador, asegúrese de que éste no esté conectado al suministro de energía.

Si su refrigerador no cuenta con filtro de agua, le recomendamos que instale uno. Si su suministro de agua contiene arena o partículas que puedan ser llevadas a través de la válvula, instale un filtro de agua en la tubería cerca del refrigerador

- 1) Quite la tapa de plástico de la conexión de la válvula de agua.



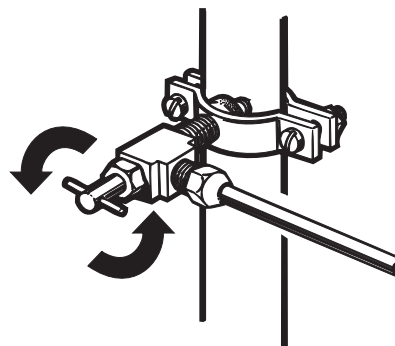
- 2) Coloque la tuerca de compresión y la férula al final de la tubería. Inserte la tubería en la válvula de conexión tan adentro como le sea posible. Apriete mientras sostiene la tubería.



- 3) Apriete el tubo en los sujetadores que se encuentran detrás del refrigerador. Primero afloje el tornillo que sostiene el sujetador. Después, inserte el tubo en el orificio. Finalmente, vuelva a apretar el tornillo.

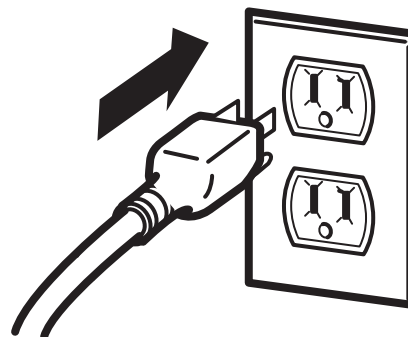
10. ABRA LA VÁLVULA DE PASO

Apriete todas las conexiones que tengan fugas. Vuelva a poner la cubierta de acceso al compresor.



11. CONECTE EL REFRIGERADOR

Arregle la tubería de agua de tal manera que ésta no pueda vibrar con el refrigerador o la pared. Empuje el refrigerador hacia la pared.



12. ENCIENDA LA FÁBRICA DE HIELO

Accione el interruptor de la fábrica de hielo a la posición I (ENCENDIDO). La fábrica de hielo no empezará a operar hasta que alcance su temperatura de operación de 15 °F (-9 °C) o menor. Comenzará su operación automática si el interruptor se encuentra en la posición I (ENCENDIDO).

GUÍA DE SOLUCIÓN DE PROBLEMAS

DESCRIPCIÓN DE LOS SONIDOS QUE SE PUEDEN ESCUCHAR

Es posible que su nuevo refrigerador haga ruidos que el antiguo no hacía. La mayoría de los nuevos sonidos son normales. Las superficies duras, como el suelo, las paredes y los muebles, pueden hacer que los sonidos parezcan más fuertes de lo que realmente son. A continuación, se describen los tipos de sonidos que se pueden escuchar y qué los puede estar causando.

Clics:

El control de descongelación emitirá un “clic” al comenzar y al finalizar el ciclo de descongelación. El control del termostato (o control del refrigerador, en función del modelo) también emitirá un “clic” al iniciar o finalizar un ciclo.

Traqueteo:

Los ruidos de traqueteos pueden proceder del flujo del refrigerante, la tubería de agua o de artículos almacenados encima del refrigerador.

Ruido de aspas:

- El motor del ventilador del evaporador moviendo el aire a través de los compartimentos del refrigerador y del congelador.
- El ventilador del condensador forzando el paso de aire a través del condensador.
- El ventilador del compartimento de hielo en el congelador o en el lado izquierdo del refrigerador cuando las puertas están abiertas.

Borboteo:

Al finalizar cada ciclo, es posible que oiga un sonido de borboteo causado por el refrigerante fluyendo por el sistema de refrigeración.

Crujido:

Contracción y expansión de las paredes interiores.

Crepitación:

El agua cayendo en el calentador de descongelación durante un ciclo de descongelación.

Ruido de vibración:

Si el lateral o la parte posterior del refrigerador está en contacto con un mueble o una pared, algunas de las vibraciones normales pueden producir un sonido audible. Para eliminar el ruido, asegúrese de que los laterales y la parte posterior no puedan vibrar contra las paredes o los muebles.

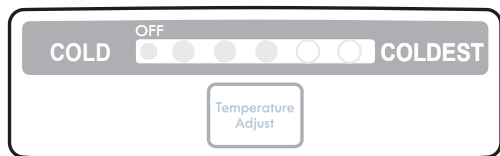
Goteo:

El agua cayendo en la batea de drenaje durante el ciclo de descongelación.

Sonido de pulsación o agudo:

Su refrigerador está diseñado para funcionar de forma más eficiente para conservar los alimentos a la temperatura deseada. El compresor de alta eficiencia puede hacer que su nuevo refrigerador funcione durante más tiempo que su antiguo refrigerador, y aún así será más eficiente energéticamente que los modelos anteriores. Mientras el refrigerador está en funcionamiento, es normal escuchar un sonido de pulsación o agudo.

Problema	Causas posibles	Soluciones
El refrigerador no enfría.	El cable de alimentación no está enchufado.	Enchufe firmemente el cable en una toma de corriente con el voltaje adecuado (consulte Requisitos eléctricos y de conexión a tierra).
	Se ha fundido un fusible o ha saltado el disyuntor.	Sustituya el fusible o reinicie el disyuntor. Si el problema persiste, póngase en contacto con un electricista.
	El control del refrigerador está en la posición OFF.	Consulte la sección Ajuste de los controles .
	El refrigerador está en el ciclo de descongelación.	Espere unos 30 minutos a que termine el ciclo de descongelación.
	El refrigerador está en Modo demostración .	El refrigerador se ha puesto en un modo parcial (Demostración) que se encuentra en el programa que almacena. El modo demostración deshabilita el sistema de enfriado; únicamente las lámparas y el control de temperatura trabajan correctamente. Para deshabilitar presiona el botón TEMPERATURE ADJUST hasta llegar al nivel deseado de temperatura y la luz de OFF se apague.



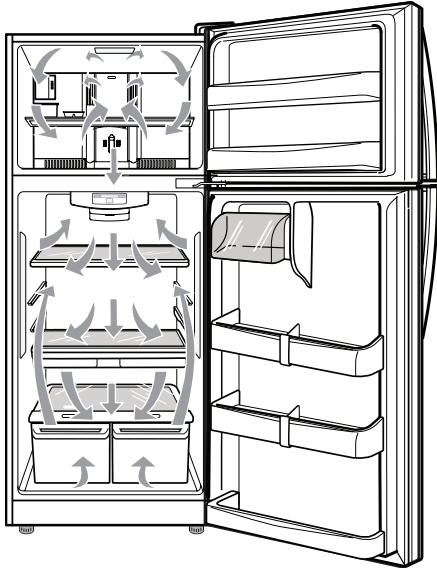
Problema	Causas posibles	Soluciones
Las luces no funcionan.	El cable de alimentación no está enchufado.	Enchufe firmemente el cable en una toma de corriente con el voltaje adecuado (consulte Requisitos eléctricos y de conexión a tierra).
	Se ha fundido una bombilla.	Sustitúyala con una bombilla para electrodomésticos con los mismos vatios, tamaño y forma disponible en su ferretería habitual. (Consulte la sección Sustitución de la bombilla). Desenchufe el refrigerador o corte la corriente en el disyuntor o en la caja de fusibles. NOTA: La lámpara del compartimiento del refrigerador es una iluminación interior mediante LED, por lo que el mantenimiento deberá ser realizado por un técnico calificado.
Ruido de vibración o traqueteo.	El refrigerador no está sólidamente apoyado en el suelo.	El suelo es poco sólido o irregular, o es necesario ajustar los pies de nivelación. Consulte la sección Instalación para obtener instrucciones sobre la nivelación.
El compresor parece que funciona demasiado.	El refrigerador sustituido era un modelo antiguo.	Los refrigeradores modernos requieren más tiempo de funcionamiento pero consumen menos energía gracias a una tecnología más eficiente.
	La temperatura ambiente es más cálida de lo habitual.	El compresor funcionará más tiempo en condiciones calurosas. A temperaturas ambiente normales, (21 °C) el compresor debería funcionar entre el 40% y el 80% del tiempo. En condiciones más calurosas, sería esperable que funcionara incluso más a menudo. No se debería usar el refrigerador si la temperatura supera los 43 °C.
	La puerta se abre a menudo o se acaba de introducir una gran cantidad de alimentos.	Cuando se introducen alimentos o se abren las puertas, aumenta la temperatura del refrigerador, lo que obliga al compresor a funcionar más tiempo para volver a enfriar el refrigerador. Para ahorrar energía, intente sacar todo lo que necesite del refrigerador de una sola vez, mantenga los alimentos organizados para que resulte fácil encontrarlos y cierre la puerta en cuanto se saque el alimento. (Consulte la Guía para el almacenamiento de alimentos).
	El refrigerador se enchufó hace poco tiempo y el control del refrigerador se ajustó correctamente.	El refrigerador puede tardar hasta 24 horas en enfriarse completamente.
	El control del refrigerador no está correctamente ajustado para las condiciones medioambientales.	Consulte la sección Ajuste de los controles .
	Las puertas no están completamente cerradas.	Empuje firmemente para cerrar las puertas. Si no se cerraran, consulte el apartado “Las puertas no se cierran completamente” en la sección Guía para la solución de problemas .
	La tapa posterior está sucia.	Esto impide la transferencia de aire y obliga al motor a trabajar más duramente. Limpie la tapa posterior. Consulte la sección Cuidado y limpieza .

GUÍA DE SOLUCIÓN DE PROBLEMAS

Problema	Causas posibles	Soluciones
Las puertas no se cierran completamente.	El refrigerador no está nivelado.	Consulte la sección Nivelación y alineación de las puertas .
	Hay paquetes de alimentos bloqueando la puerta que impiden que se cierre.	Reorganice los contenedores de alimentos para liberar la puerta y los estantes de la puerta.
	El depósito de hielo, la tapa del cajón para verduras, las bateas, los estantes, las bandejas de las puertas o las cestas no están en su sitio.	Coloque correctamente las bandejas, la tapa del cajón para verduras, las bateas, los estantes y las cestas. Consulte la sección Uso del refrigerador para obtener más información.
	Las juntas se pegan.	Limpie las juntas y las superficies de contacto. Aplique una fina capa de cera para electrodomésticos o cera de cocina en las juntas después de limpiarlas.
	El refrigerador se bambolea o parece inestable.	Nivele el refrigerador. Consulte la sección Nivelación y alineación de las puertas para obtener más información.
	Las puertas se desmontaron durante la instalación del producto y no se volvieron a colocar correctamente.	Desmunte y vuelva a colocar las puertas siguiendo las instrucciones de la sección Desmontaje y sustitución de las manijas y puertas del refrigerador o llame a un técnico calificado.
Escarcha o cristales de hielo sobre los alimentos congelados.	La puerta no se cierra correctamente.	Consulte el apartado “Las puertas no se cierran completamente” en la sección Guía para la solución de problemas .
	La puerta se abre a menudo.	Si la puerta está abierta, el aire húmedo y caliente penetra en el congelador, produciendo escarcha.
El hielo huele o sabe mal.	La máquina de hielo se instaló hace poco tiempo.	Deseche las primeras tandas de hielo para evitar hielo manchado o con mal sabor.
	El hielo ha estado almacenado demasiado tiempo.	Deseche el hielo antiguo y fabrique un nuevo suministro.
	Hay alimentos que no se han envuelto herméticamente en algún compartimento.	Vuelva a envolver los alimentos ya que, si no están correctamente envueltos, los olores podrían migrar hasta el hielo.
	El suministro de agua contiene minerales como el azufre.	Es posible que deba reemplazar el filtro de agua para eliminar los problemas de olor y sabor.
	El interior del refrigerador necesita una limpieza.	Consulte la sección Cuidado y limpieza para obtener más información.
	El depósito de hielo necesita una limpieza.	Vacíe y limpie el depósito. Deseche los cubitos antiguos.
Hay agua en la batea de drenaje de la descongelación.	El refrigerador se está descongelando.	El agua se evaporará. Es normal que gotee agua en la batea de descongelación.
	Hay más humedad de lo habitual.	Sería esperable que el agua de la batea de descongelación tarde más en evaporarse. Eso es normal cuando hace calor o hay humedad.

Problema	Causas posibles	Soluciones
El refrigerador parece que hace demasiado ruido.	Los sonidos podrían ser normales para su refrigerador.	Consulte la sección Descripción de los sonidos que se pueden escuchar para obtener más información.
La máquina de hielo no está fabricando hielo o no en la cantidad suficiente.	La instalación es nueva.	Espere de 12 a 24 horas tras la instalación de la máquina de hielo para que comience la fabricación de hielo. Espere 72 horas para que la fabricación de hielo esté a pleno rendimiento.
	El refrigerador no está conectado a un suministro de agua o la válvula de corte del suministro no está abierta.	Conecte el refrigerador al suministro de agua y abra completamente la válvula de corte de agua.
	Tiene conectado un sistema de filtración de agua de ósmosis inversa al suministro de agua fría.	Los sistemas de filtración de agua de ósmosis inversa pueden reducir la presión de agua por debajo del mínimo y provocar problemas en la máquina de hielo. (Consulte la sección Presión del agua).
	La tubería de entrada de agua está retorcida.	Si la tubería está retorcida se puede ver reducido el flujo de agua. Desenrede la tubería de entrada de agua.
	La demanda de hielo ha superado la capacidad de almacenamiento.	La máquina de hielo fabricará aproximadamente 100 cubitos en un período de 24 horas. NOTA: En la sección del congelador, se incluye un depósito de hielo adicional para aumentar la capacidad de almacenamiento.
	La máquina de hielo no está encendida.	Localice el interruptor de ENCENDIDO/APAGADO de la máquina de hielo y confirme que está en la posición ON (I).
	Hay algo en el sensor de detección de hielo.	La presencia de sustancias extrañas o de escarcha en el sensor de detección de hielo pueden interrumpir la fabricación de hielo. Asegúrese de que el área del sensor esté siempre limpia para que el funcionamiento sea correcto.
	El ajuste de temperatura del congelador es demasiado cálido.	La temperatura recomendada para el compartimento del congelador para una fabricación normal de hielo es de -18°C (0°F). Si la temperatura del congelador es superior, la fabricación de hielo se verá afectada.
	Las puertas se abren a menudo.	Si las puertas de la unidad se abren a menudo, el aire ambiental calentará el refrigerador e impedirá que la unidad pueda mantener la temperatura establecida. Para ayudar a resolver este problema puede bajar la temperatura del refrigerador, además de no abrir la puerta con tanta frecuencia.
	Las puertas no se cierran correctamente.	Si las puertas no se cierran correctamente, la fabricación de hielo se verá afectada. Consulte el apartado "Las puertas no se cierran completamente" en la sección Guía para la solución de problemas para obtener más información.
La puerta del compartimento de hielo no se cierra correctamente.	Si la puerta del compartimento de hielo no se cierra correctamente, la fabricación de hielo se verá afectada. Asegúrese de que la puerta del compartimento de hielo está cerrada para un funcionamiento correcto. Consulte la sección Características del refrigerador .	

GUÍA DE SOLUCIÓN DE PROBLEMAS

Problema	Causas posibles	Soluciones
<p>La temperatura es demasiado cálida o hay una acumulación de humedad en el interior.</p>	<p>Los conductos de ventilación del aire están bloqueados. El aire frío circula desde el congelador hacia la sección de alimentos frescos y vuelta atrás de nuevo a través de los conductos de ventilación del aire que hay en la pared que divide las dos secciones.</p>	<p>Con la mano, busque los conductos de ventilación del aire para sentir el flujo de aire y mover todos los paquetes que bloquean los conductos de ventilación y restringen el flujo de aire. (Consulte el siguiente diagrama de flujo de aire).</p> 
	<p>Las puertas se abren a menudo.</p>	<p>Al abrir las puertas, aumenta la temperatura del refrigerador, lo que obliga al compresor a funcionar más tiempo para volver a enfriar el refrigerador. Para ahorrar energía, intente sacar todo lo que necesite del refrigerador de una sola vez, mantenga los alimentos organizados para que resulte fácil encontrarlos y cierre la puerta en cuanto se saque el alimento.</p>
<p>El control no está correctamente ajustado para las condiciones medioambientales.</p>		<p>Consulte la sección Ajuste de los controles. Espere 24 horas a que se estabilicen o nivelen las temperaturas. Si la temperatura es demasiado fría o demasiado caliente, cambie el ajuste en incrementos de un grado cada vez. Consulte la sección Ajuste de los controles.</p>
<p>Se acaba de introducir una gran cantidad de alimentos al refrigerador o al congelador.</p>		<p>La introducción de alimentos calienta el refrigerador. El refrigerador tardará unas horas en recuperar la temperatura normal.</p>
<p>Los alimentos no están empaquetados correctamente.</p>		<p>Envuelva los alimentos herméticamente y seque los contenedores húmedos antes de almacenarlos en el refrigerador para evitar la acumulación de humedad. Si es necesario, vuelva a empaquetar los alimentos siguiendo las instrucciones de la sección Guía para el almacenamiento de alimentos.</p>
<p>Las puertas no se cierran completamente.</p>		<p>Consulte el apartado "Las puertas no se cierran completamente" en la sección Guía para la solución de problemas.</p>
<p>El tiempo es húmedo.</p>		<p>Cuando el ambiente es húmedo, el aire transporta humedad al interior del refrigerador cuando se abren las puertas. El aumento de humedad en los compartimentos del congelador o refrigerador pueden provocar la aparición de escarcha o condensación.</p>
<p>Se ha completado un ciclo completo de descongelación automática.</p>		<p>Es normal que se formen gotas en la pared interior tras la descongelación automática del refrigerador.</p>

NOTES / NOTAS

NOTES / NOTAS

NOTES / NOTAS

Kenmore®

For Sears Home Services in-home repair
of all Kenmore major appliances.

For the replacement parts, accessories and
Use & Care Guides that you need to do-it-yourself.

For professional installation of major home appliances
and items like air conditioners and water heaters.

1-844-553-6667

www.kenmore.com

In Canada 1-800-469-4663

www.sears.ca

Call anytime for the location of your nearest
Sears Parts & Repair Service Center

1-800-488-1222 (U.S.A.)

1-800-469-4663 (Canada)

To purchase a protection agreement on a serviceable product :

1-800-827-6655 (U.S.A.)

1-800-361-6665 (Canada)

Para pedir servicio de reparación
a domicilio, y ordenar piezas:

1-888-SU-HOGAR®

(1-888-784-6427)

www.kenmore.com

Au Canada pour service en français:

1-800-LE-FOYER^{MC}

(1-800-533-6937)

www.sears.ca

