

# OWNER'S MANUAL BOTTOM FREEZER REFRIGERATOR

Please read this manual carefully before operating your set and retain it for future reference.

# MANUAL DE USUARIO REFRIGERADOR

# CON CONGELADOR INFERIOR

Lea detenidamente este manual antes de empezar a utilizar el refrigerador y guárdelo como referencia para el futuro.

Model Name/Nombre de Modelo \* =color number/número de color

LFXS24623\*

GM63SGS

LM63SGS



# TABLE OF CONTENTS

<b>English Version</b>	<b>3</b>	<b>Refrigerator Care and Cleaning</b>	<b>28-34</b>
<b>Spanish Version</b>	<b>47</b>	Refrigerator Cleaning	28
		Outside	28
<b>Important Safety Instructions</b>	<b>4-5</b>	Inside Walls	28
Requirements for Ground Connection	5	Door Lining & Gaskets	28
		Plastic Parts (Covers and Panel)	28
<b>Parts and Features</b>	<b>6-7</b>	Back Cover	28
		Replacing Lights	28
<b>Refrigerator Installation</b>	<b>8-15</b>	Power Interruptions	29
Unpacking	8	When Going on Vacation	29
Installation	8	When Moving	29
How to remove and install Handle	9	Water Filter (Type 1)	30
How to remove and Install the Refrigerator Doors	10	Performance Data Sheet (Type 1)	32
How to remove and Install Pull-Out Drawer	13-14	Certificate for California	34
Closing and Aligning the doors	15	<b>Connecting the Water Line</b>	<b>35-37</b>
		<b>Troubleshooting Guide</b>	<b>38-40</b>
		<b>Smart Diagnosis</b>	<b>41</b>
<b>Using your Refrigerator</b>	<b>16-27</b>	<b>Warranty</b>	<b>42</b>
Control Panel Features	16		
The LED Display	17		
Adjusting the temperatures and display	18		
Operating the dispenser	19		
Setting the functions	20		
Spaceplus Ice System	21		
Automatic Icemaker	22		
Adjusting Control Settings	23		
Food Storage Guide	23		
Storing Frozen Food	23		
<b>Refrigerator Section</b>	<b>24-26</b>		
Refrigerator Shelves	24		
Crisper Humidity Control	25		
Door Racks	26		
Dairy Compartment	26		
Dispenser Drip Tray	26		
<b>Freezer Section</b>	<b>27</b>		
Ice Bin	27		
DuraBase	27		
Durabase Divider	27		
Pull Out Drawer	27		

## THANK YOU!

Congratulations on your purchase and welcome to the LG family. Your new LG French Door Refrigerator combines advanced cooling technology with simple operation and high efficiency. Follow the operating and care instructions in this manual and your refrigerator will provide you with many years of reliable service.

# IMPORTANT SAFETY INSTRUCTIONS

## SAFETY MESSAGES

This manual contains several important safety notices. Always read and obey all of the following safety messages.



This is the safety alert symbol. This symbol is a warning to potential dangers that could cause death, injury or damage to you, others or the product. All safety messages will follow after this warning symbol and the word "DANGER", "CAUTION" or "WARNING". These words mean:

### DANGER

You may be killed or suffer fatal damage if you do not follow instructions.

### WARNING

You may be killed or seriously injured if you do not follow instructions.

### CAUTION

Indicates a potentially hazardous situation which, if not avoided, may result in minor injury or damage to the product.

All safety messages inform you of potential danger, advise you on how to reduce the risk of injury and tell you what can occur if the instructions are not followed.

## WARNING

**To reduce the risk of fire, electrical shock or personal injury, the following precaution measures should be followed:**

- NEVER disconnect the refrigerator by pulling the power cord, always grip the plug firmly and disconnect it directly from the outlet.
- Repair or replace immediately all faulty or damaged service cables. Do not use cords that have cracks or abrasion damage on the length of the cord or on the plug.
- When moving your refrigerator, take care not to roll over the electrical cord.
- **DO NOT** store or use gasoline or other combustible liquids or vapors in proximity with this or any other electrical appliance.
- **DO NOT** permit children to climb, stand or swing from the doors or shelves of the refrigerator. This can cause serious injury to them and damage to the product.
- Keep your fingers away from areas in which they can become caught, such as the doors, hinges and cabinets. Be careful closing the doors when children are near.
- Unplug the refrigerator before cleaning or repairing. **NOTE:** We strongly recommend that any repair services be performed by a qualified professional.
- **DO NOT** store explosive substances such as aerosol cans with a flammable propellant in this appliance.

If the use of this unit is no longer needed, please contact local authorities to dispose of this product in a safe way due contains Pentane-cycle or pentane like gas for insulation. Insulation gases require a special elimination process. This product contains flammable insulation.

- Do not keep bottles in the freezer compartment, they could explode after freezing and cause damage.
- For your safety, this product should be properly grounded. Have a qualified professional check the electrical circuit and outlet to ensure a proper ground connection.
- Read all instructions before utilizing the product. Utilize this product only as explicitly expressed in this guide.
- Once the refrigerator is operating, avoid touching cold surfaces of the freezer with damp or wet hands; the skin could become adhered to these surfaces.
- In refrigerators with an automatic ice dispenser, avoid contact with moving parts of the ejector mechanism or with the heating mechanism that discharges the cubes. **DO NOT** place your fingers or hands in the ice dispenser mechanism while the refrigerator is connected.
- **DO NOT** refreeze foods which have already thawed. The United States Department of Agriculture in Home and Garden Bulletin No. 69 says:

"...You may refreeze food that has thawed if they contain ice crystals or are cold and below 40 °F (4 °C)".

"...Ground beef, perishable food or seafood that is discolored or has an unpleasant odor should not be frozen or consumed. Consumption of melted ice cream should also be avoided. If the odor or color of food is questionable, discard it. The food may be dangerous to consume".

"Partial thawing or refreezing reduces the quality of the food, especially fruit, vegetables and prepared meals. The quality of red meat is less affected than other foods. Use refrozen products as soon as possible in order to maintain their quality".

- This product contains chemicals known to the State of California to cause cancer. **Wash hands after handling.**

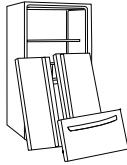
**KEEP THESE INSTRUCTIONS**

## ⚠ CAUTION

This appliance is not intended for use by children, persons with physical or mental disabilities, persons with reduced sensory or mental capacity, or persons with lack of experience or know-how, unless they have supervision or instruction in relation to the use of the appliance by the person responsible for their safety. Children should be supervised to assure that they do not play with the appliance.

## ⚠ DANGER: CHILDREN MAY BECOME TRAPPED

Children becoming trapped or suffocated is not a problem of the past. Discarded and abandoned refrigerators are a hazard, even if they remain there "for just a few days". If you would like to dispose of your old refrigerator, please follow the instructions below to prevent any accidents.

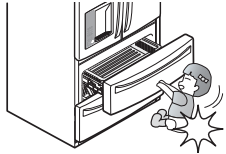


### BEFORE DISPOSING YOUR REFRIGERATOR OR FREEZER WHEN NO LONGER IN USE:

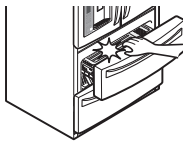
- Remove the doors.
- Leave the shelves in place so that children cannot easily become stuck in them.

## ⚠ WARNING

### Keep away from moving drawers.



- Small children can be knocked down.
- Fingers and toes can be injured.



### Do not sit or climb on drawers.

- Refrigerator can tip over.



## CFC DISPOSAL

Your old refrigerator may have a cooling system that uses CFC's (chlorofluorocarbons). CFC affects the stratospheric layer of the ozone.

If you decide to throw out your old refrigerator, ensure that CFC contaminants are properly disposed of by a qualified professional. If you intentionally remove the CFC refrigerant, you could be subject to fines or prison in accordance with environmental legislation in effect.

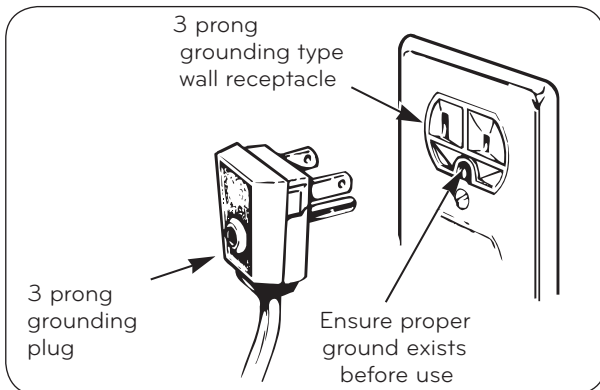
## REQUIREMENTS FOR GROUND CONNECTION

**IMPORTANT:** Attentively read the following.

### TO CONNECT ELECTRICITY

#### ⚠ WARNING

**ELECTRICAL SHOCK HAZARD**  
FOR YOUR PERSONAL SAFETY, this appliance must be properly grounded. Have a qualified electrician check your wall outlet to ensure that the plug is grounded properly.



### RECOMMENDED GROUNDING METHOD

Your refrigerator must always be plugged to its own outlet which is adequately grounded. The energy current should only be 115 V ~ 60 Hz, AC or 127 V ~ 60 Hz, AC (according to the National rating). This provides the best performance and prevents an overload which could cause a fire from the overheating of the cables.

It is recommended that a separate circuit be used for this appliance, as well as a receptacle that cannot be disconnected with a switch.

Do not use an extension cable. It is your responsibility and obligation to replace two-prong outlets with that of an adequately grounded three-prong outlet.

**Do not, under any circumstance, cut or extract the third prong from the plug.**

**NOTE:** Before installation, cleaning or replacing light bulbs, you must disconnect the appliance from the power source. When finished, plug the appliance back in and adjust the thermostat to the desired position.

### USE OF EXTENSION CABLES

**We do not recommend the use of extension cables.** However, if you still choose to utilize an extension cable, it is absolutely necessary that it is listed in the UL (in the United States) or CSA (in Canada), that it supports three-pronged plugs and that the electrical current support a minimum of 15 A and 120 V.

The use of an extension cable will increase the amount of space needed behind the refrigerator.

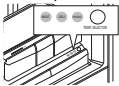
#### ⚠ WARNING

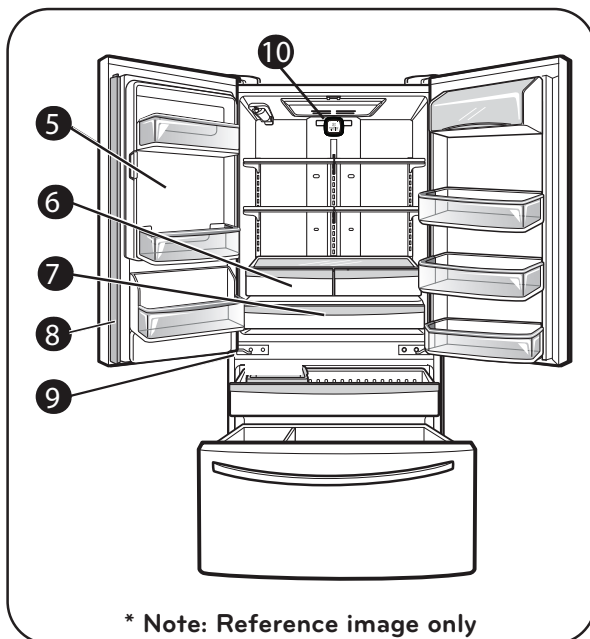
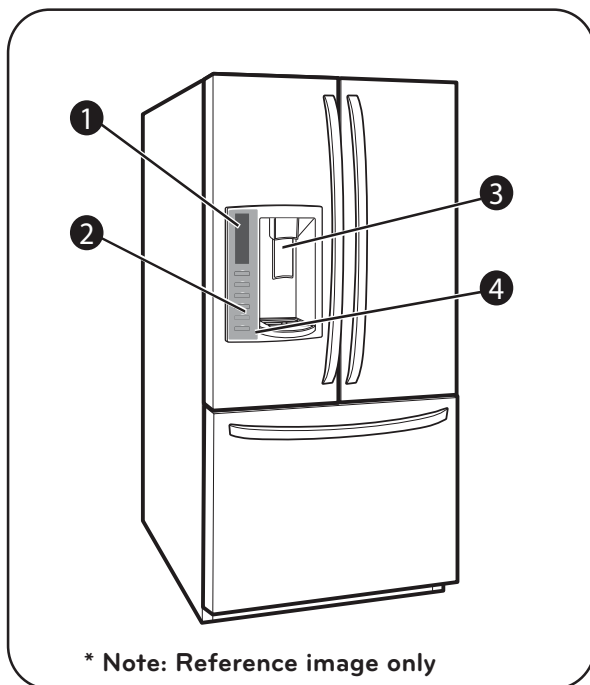
### REPLACING ELECTRICAL CABLE

If the power cord is damaged, it must be replaced by our service center or qualified LG technician to avoid any risk.

# PARTS AND FEATURES

## SPECIAL FEATURES

- 1 CONTROL PANEL LED DISPLAY SCREEN**  
Simple electronic controls are user-friendly. The LED screen shows refrigerator and freezer temperatures, displays water filter status, dispenser information, and more.
  - 2 ICE PLUS**  
When this feature is activated, the freezer section will run at the coldest temperature for a 24-hour period to increase ice production.
  - 3 FILTERED WATER AND ICE DISPENSER**  
The water dispenser offers fresh, chilled, filtered water through the door. The ice dispenser offers cubed or crushed ice.
  - 4 DOOR ALARM**  
A warning alarm sounds at 30-second intervals when the refrigerator or freezer door is left open for more than 60 seconds.
  - 5 SPACEPLUS ICE SYSTEM**  
The icemaker automatically produces 80–130 ice cubes in a 24-hour period to keep the ice dispenser fully supplied. The in-door design creates more shelf space.
  - 6 CRISPERS**  
LG's crispers preserve humidity and help vegetables stay crisp.
  - 7 GLIDE'N'SERVE (In some models).**  
Provides storage space with a variable temperature control that keeps the compartment colder than refrigerator.
- 
- 8 MULLION**  
The door mullion folds in when the left door is opened.
  - 9 AUTO CLOSING HINGE**  
When you slightly push the door of the refrigerator, it is automatically closed. (The door is automatically closed within 30° of the opening angle.)
  - 10 FRESH AIR FILTER**  
The Air Filter helps remove odors from the refrigerator.



**NOTE:** This guide covers several different models. The refrigerator you have purchased may have some or all of the items listed below. The locations of the features shown below may not match your model.

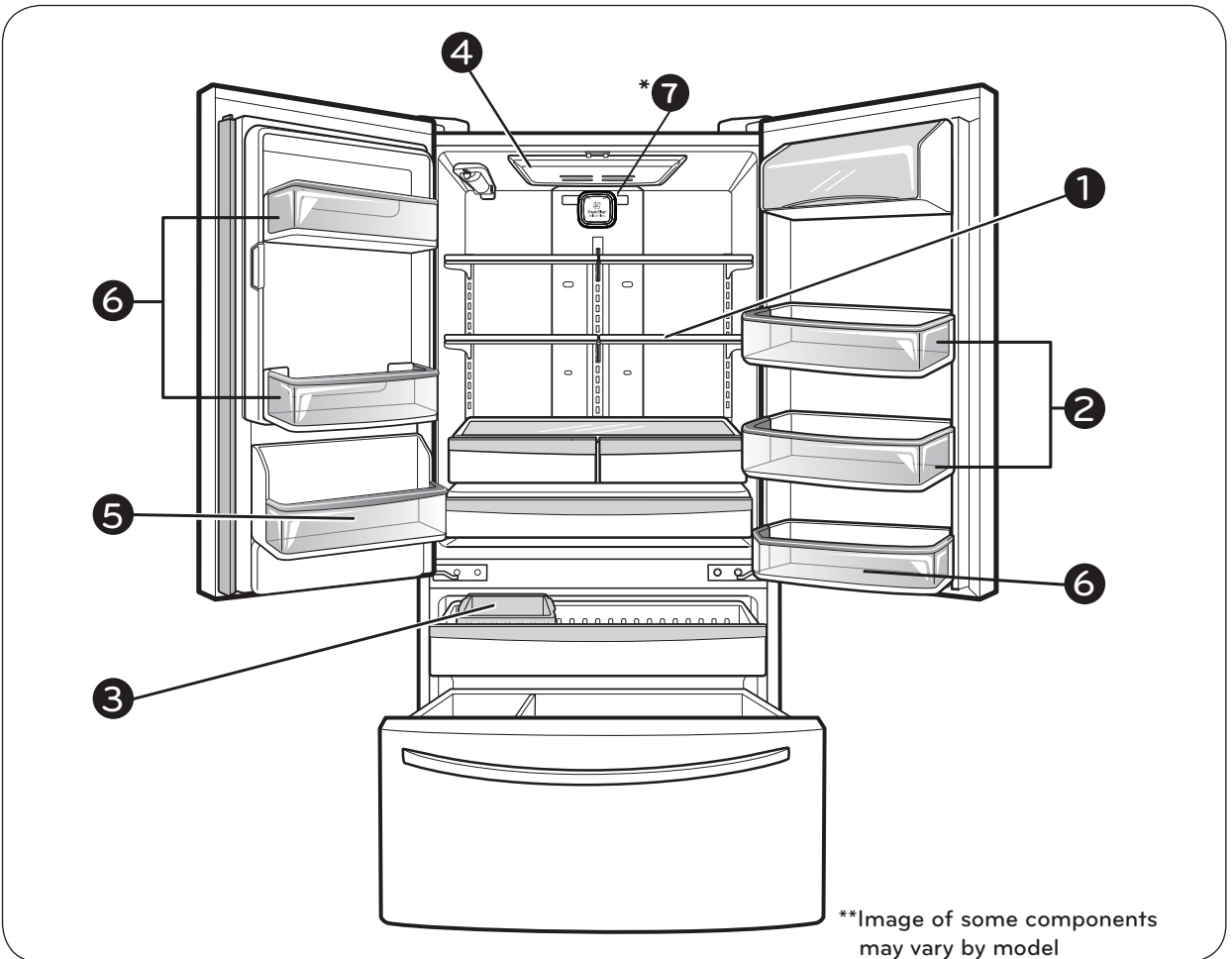
# PARTS AND FEATURES

## KEY PARTS AND COMPONENTS

In addition to the special features and components outlined in the **Special Features section**, there are several other important components that are referenced in this manual.

- 1 ADJUSTABLE REFRIGERATOR SHELVING**  
The refrigerator compartment shelves are adjustable to allow flexibility for storage needs.
- 2 GALLON STORAGE BINS**  
Three interchangeable bins can be arranged to suit your storage needs.
- 3 REMOVABLE ICE STORAGE BIN**  
The ice storage bin can be removed to fill ice buckets, coolers, or pitchers.

- 4 LED INTERIOR LAMPS**  
Refrigerator interior is lit by the LED array.
- 5 CAN STORAGE BIN**
- 6 FIXED DOOR BINS**
- \* 7 FRESH AIR FILTER (on some models)**  
The Fresh Air Filter helps remove odors from the refrigerator.



# REFRIGERATOR INSTALLATION

## **⚠ WARNING**

### **EXCESSIVE WEIGHT HAZARD**

Use the assistance of two or more persons to move or install the refrigerator. Not following these instructions may cause injury to the back and other parts of the body.

## **UNPACKING**

Before installing your refrigerator, remove any tape or temporary stickers. Please remove vinyl from doors before connecting unit to the electrical supply (on some models). Do not remove any stickers that feature warnings, the model serial number or the technical label of the product located on the back of the refrigerator.

To remove adhesive tape residue, rub it well with your fingers and a little liquid detergent. Clean with warm water and let dry.

Do not use sharp instruments, rubbing alcohol, flammable liquids or abrasive cleaning products to remove the adhesive tape or glue. These products can damage the surface of your refrigerator. For more information, see the section on **"Important Safety Instructions"**.

The shelves come already installed in their factory position. Remove the shelves and replace them according to your spacing needs.

### **Moving Your Refrigerator:**

Your refrigerator is extremely heavy. Make sure you protect the floor when moving your refrigerator for cleaning or servicing. Always pull your refrigerator straight out when moving it. Do not shift from side to side or "walk" the refrigerator when attempting to move it as this can cause damage to the floor.



## **⚠ WARNING**

### **EXPLOSION HAZARD**



Keep all flammable materials and vapors (such as gasoline) away from the refrigerator. Not following these instructions may cause death, explosion or fire

## **INSTALLATION**

1. Avoid placing the unit near heat sources, direct sunlight, or humidity.
2. To avoid vibration, the unit should be leveled. If needed, adjust the leveling screws to compensate for an unlevelled floor. The front should be slightly taller than the rear to ensure that the doors close properly. The leveling screws can easily be turned by slightly tilting the front of the refrigerator, turning the leveling screws clockwise (  ) to raise it and counter-clockwise (  ) to lower it.

3. Install the refrigerator in an area between 55 °F (13 °C) and 110 °F (43 °C). If the surrounding temperature is lower or higher than previously mentioned, it can adversely affect the unit.

**⚠ CAUTION:** Avoid placing the unit near heat sources, direct sunlight or humidity.

## **ONCE INSTALLED**

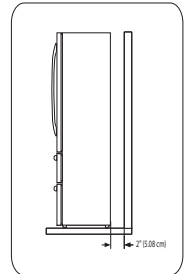
1. Carefully clean your refrigerator and remove and dust accumulated during shipping.
2. Install accessories such as the ice bin, door racks, shelves, etc., in their proper places. These are already packed to prevent any possible damage during shipping.
3. Leave your refrigerator on for 2 to 3 hours before storing food inside. Verify that there is a flow of cold air in the freezer compartment to ensure proper cooling. Your refrigerator is now ready for use.

### **⚠ WARNING:**

- Take care when working with the hinges, base cover and stops, etc. You may injure yourself.
- DO not place your hands or any tools in the air vents, the base cover or in the bottom of the refrigerator. This may cause injury or electrical shock.

### **Keep a Proper Distance from Adjacent Objects**

Please keep the refrigerator at an adequate distance from other objects. Insufficient spacing can reduce the refrigerator's freezing efficiency and increase electricity consumption.



### **Note:**

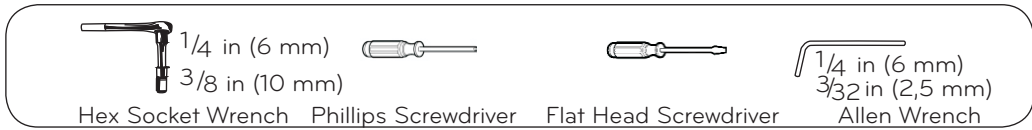
This appliance is intended to be used in household and similar applications such as

- Staff kitchen areas in shops, offices and other working environments;
- Farm houses and by clients in hotels, motels and other residential type environments;
- Bed and breakfast type environments;
- Catering and similar non-retail applications.



# REFRIGERATOR INSTALLATION

## TOOLS YOU MAY NEED



**NOTE:** It is always recommended that the doors be removed when it is necessary to move the refrigerator through a narrow opening. If it is necessary to remove the handles follow the directions below.

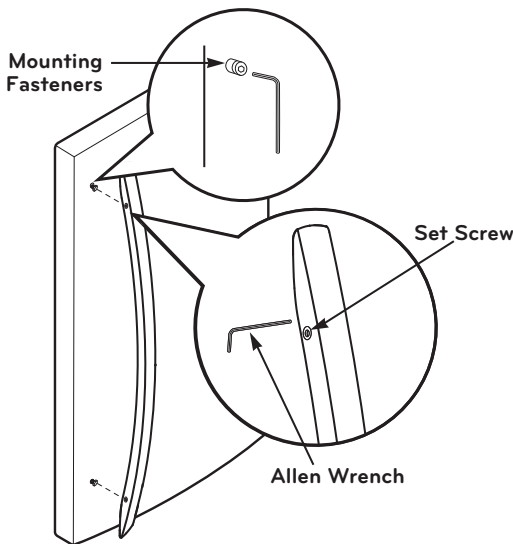
**NOTE:** Handle appearance may vary from illustrations on this page.

### DOOR HANDLE REMOVING

#### 1. Removing Refrigerator Handle

Loosen the set screws with the  $\frac{3}{32}$  in (2,5 mm) Allen wrench and remove the handle.

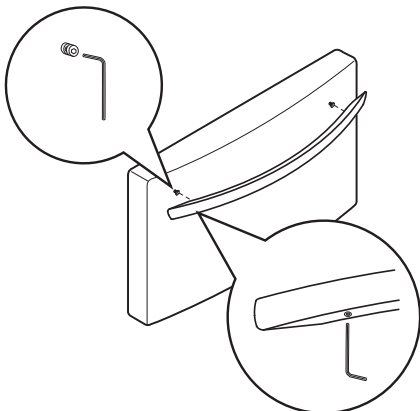
- **NOTE:** If the handle mounting fasteners need to be tightened or removed, use a  $\frac{1}{4}$  in (6,4 mm) Allen wrench.



#### 2. Removing Freezer Drawer Handle

Loosen the set screws located on the lower side of the handle with the  $\frac{3}{32}$  in (2,5 mm) Allen wrench and remove the handle.

- **NOTE:** If the handle mounting fasteners need to be tightened or removed, use a  $\frac{1}{4}$  in (6,4 mm) Allen wrench.

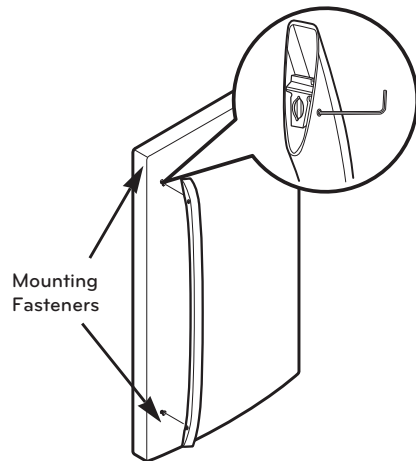


### DOOR HANDLE INSTALLATION

#### 1. Reinstalling Refrigerator Handle

Place the handle on the door by aligning handle footprints to fit mounting fasteners and tighten the set screws with a  $\frac{3}{32}$  in (2,5 mm) Allen wrench.

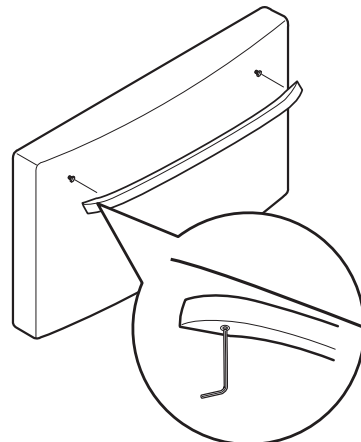
- **NOTE:** If the handle mounting fasteners need to be tightened or removed, use a  $\frac{1}{4}$  in (6,4 mm) Allen wrench.



#### 2. Reinstalling Freezer Drawer Handle

Place the handle on the door by aligning handle footprints to fit mounting fasteners and tighten the set screws on the bottom of the handle with a  $\frac{3}{32}$  in (2,5 mm) Allen wrench.

- **NOTE:** If the handle mounting fasteners need to be tightened or removed, use a  $\frac{1}{4}$  in (6,4 mm) Allen wrench.



# REFRIGERATOR INSTALLATION

## HOW TO REMOVE AND INSTALL REFRIGERATOR DOOR

### 1. Removing Refrigerator Doors

Remove the left-side door first.

**NOTE:** Handle, top hinge and hinge cover appearance may vary from illustrations on this page.

### **⚠** WARNING

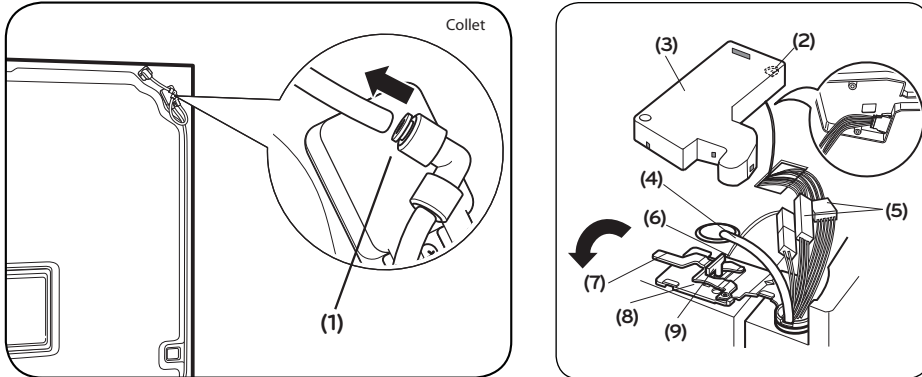
- Disconnect electrical supply to the refrigerator before installing. Failure to do so could result in death or serious injury.
- Do not put hands or feet or metal sticks into the air vents, base grille, or bottom of the refrigerator. You may be injured or receive an electrical shock.
- Be careful when you work with the hinge, base grille, and stopper. You may be injured.

#### 🔑 Left Door

- Pull the water tube out of the fitting while pressing the release ring on the fitting (1).

**NOTE:** When you pull out the tube, first you have to push the collet by opposite direction of arrow in the upper picture and pull the tube out by direction of arrow.

- Open the door. Remove the top hinge cover screw (2).
- Use a flat blade screwdriver to lift the tabs on the front underside of the cover (3). Lift up the cover.
- Remove the cover. Pull out the tube (4).
- Disconnect all wire harness (5).
- Remove the grounding screw (6).
- Rotate hinge lever (7) counterclockwise. Lift the top hinge (8) free of the hinge lever latch (9).
- Place the door on a non-scratching surface with the inside up.

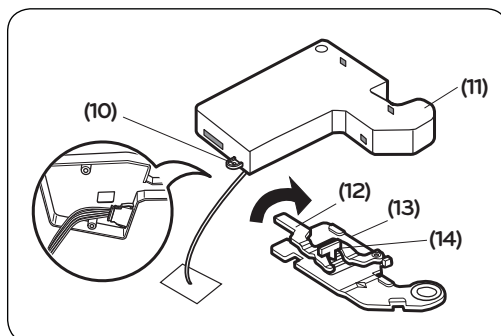


#### 🔑 Right Door

- Open the door. Remove the top hinge cover screw (10).
- Use a flat blade screwdriver to lift the tabs on the front underside of the cover (11). Lift up the cover.
- Rotate hinge lever (12) clockwise. Lift the top hinge (13) free of the hinge lever latch (14).
- Place the door on a non-scratching surface with the inside up.

**⚠ CAUTION:** When lifting the hinge free of the latch, be careful that the door does not fall forward.

- Lift the door from the middle hinge pin and remove the door.
- Place the door, inside facing up, on a nonscratching surface.



# REFRIGERATOR INSTALLATION

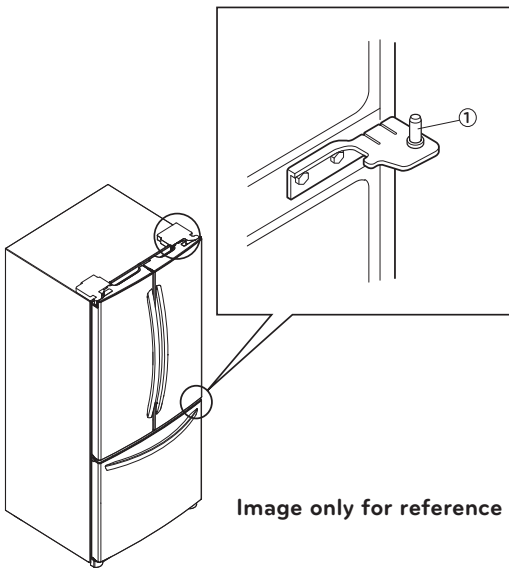
## HOW TO REMOVE AND INSTALL REFRIGERATOR DOOR (CONT.)

### 2. Refrigerator Door Reinstallation

Install the right-side door first.

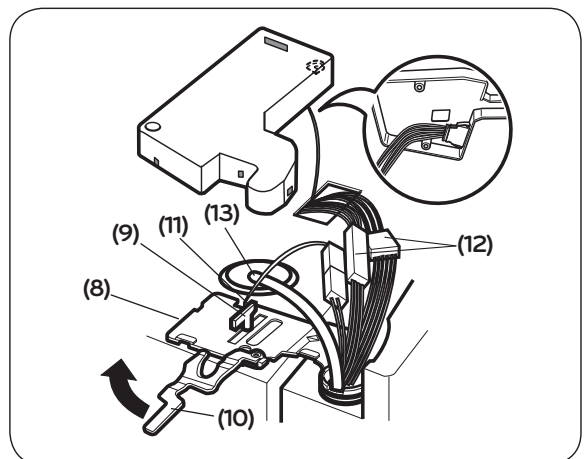
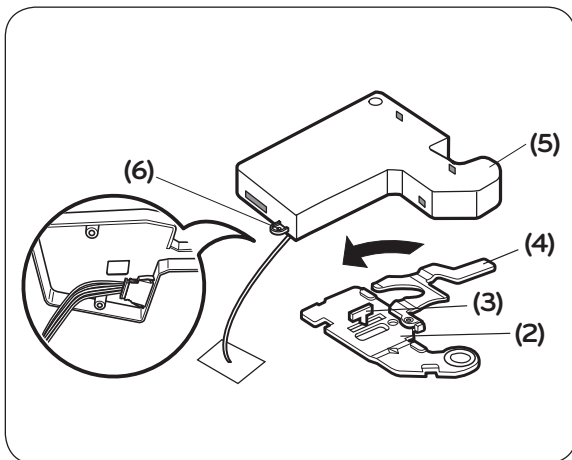
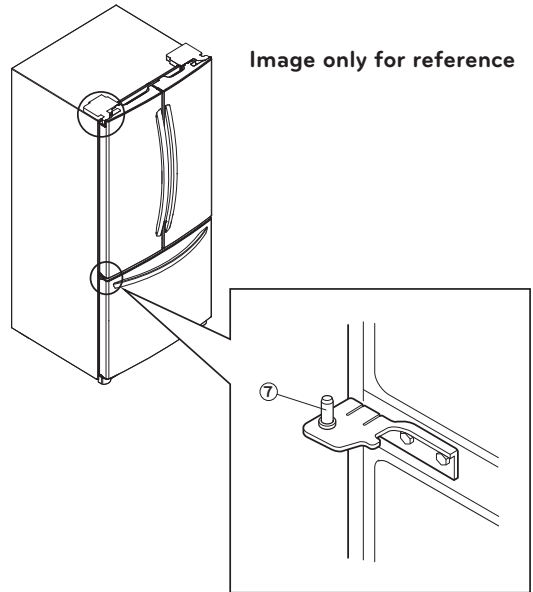
#### ► Right Door

- Lower the door onto the middle hinge pin (1).
- Make sure the door is aligned with the cabinet.
- Fit the top hinge (2) over the hinge lever latch (3) and into place. Rotate the lever (4) counterclockwise to secure the hinge.
- Hook the tab on the door-switch side of the cover (5) under the edge of the wire opening in the cabinet top.
- Position the cover into place.
- Insert and tighten the cover screw (6).



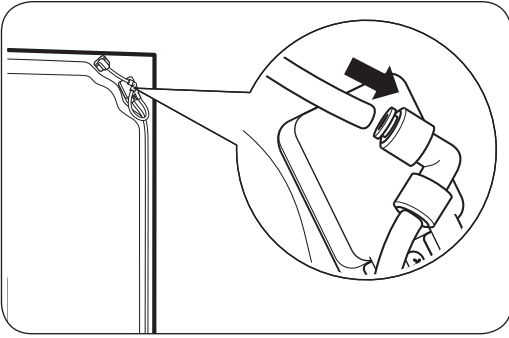
#### ► Left Door

- Lower the door onto the middle hinge pin (7).
- Make sure the door is aligned with the cabinet.
- Fit the top hinge (8) over the hinge lever latch (9) and into place. Rotate the lever (10) clockwise to secure the hinge.
- Install the grounding screw (11) and connect all the wire harnesses (12).
- Push the water supply tube (13) into the hole on the top case and pull it through the backplate.



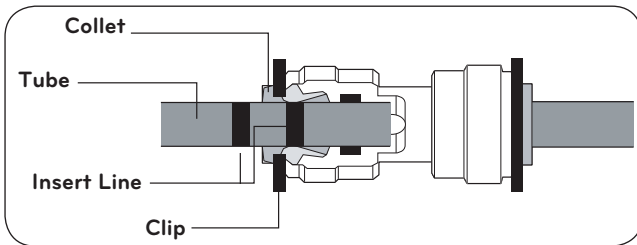
# REFRIGERATOR INSTALLATION

- Insert the water supply tube into the connector.
- Insert the tube at least 5/8 in. (15 mm) into the connector.

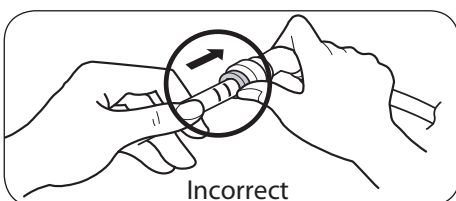
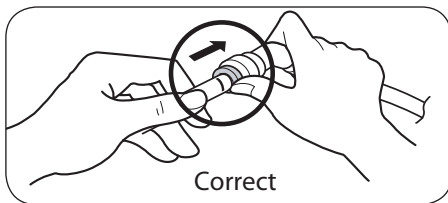


- Hook the tab on the door-switch side of the cover under the edge of the wire opening in the cabinet top.
- Position the cover into place.
- Insert and tighten the cover screw.

## CAUTION



1. Insert the tube until you can see only one of the lines printed on the tube.
2. After inserting, pull the tube to ascertain that it is secure.
3. Assemble the clip.



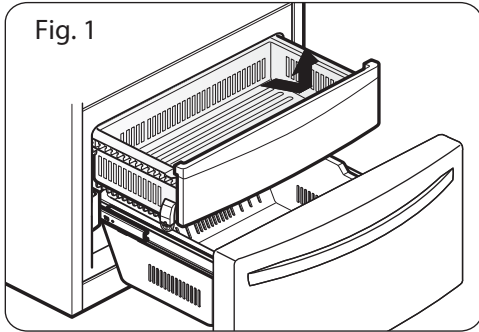
# REFRIGERATOR INSTALLATION

## HOW TO REMOVE AND INSTALL THE PULL OUT DRAWER

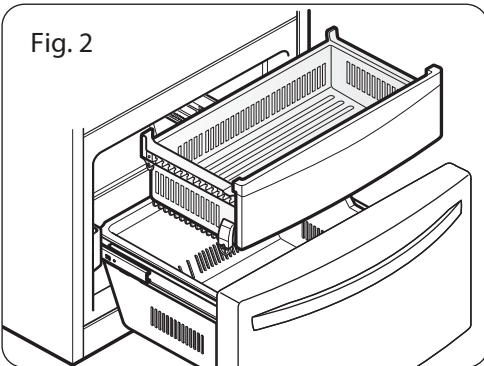
### 1. Removing Pull out Drawer

**IMPORTANT:** To avoid possible injury, product or property damage, you will need two persons to perform the following instructions.

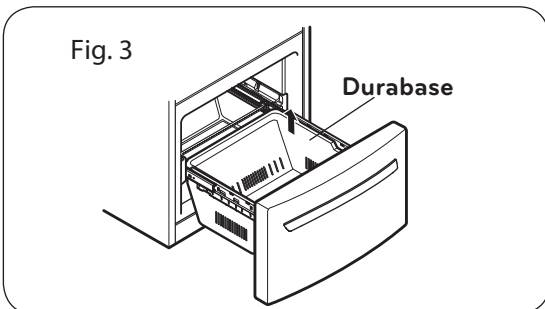
To remove the drawer, push the tabs located on the front inside surface of each rail. Then gently lift the rear left and right sides of the drawer and pull it out (Fig. 1)



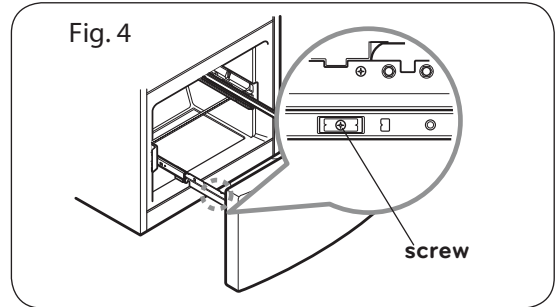
To reinstall, pull out and fully extend both rails. Insert the end of rib in the bracket at left and right. Making sure that the guides at the front are lined up properly, gently push down on both sides (Fig. 2)



- Pull the drawer open to full lower extension. Remove the durabase by lifting it from rail system. (Fig. 3)



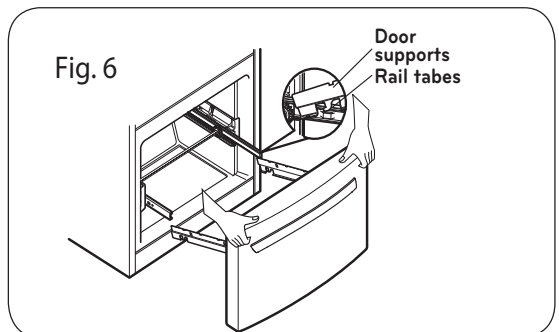
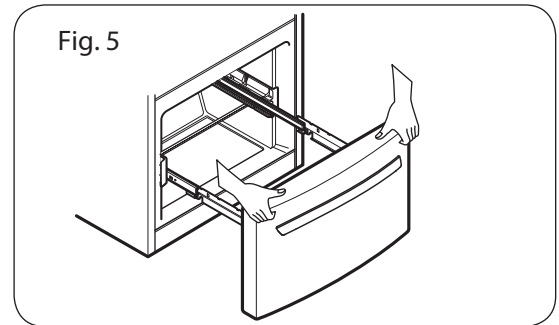
- Remove the screws of the rail on both sides. (Fig. 4)



**CAUTION:** When removing drawer door, do not hold it by the handle. The door could fall down and you may be injured. Grasp the door with both hands as pictured below when removing.

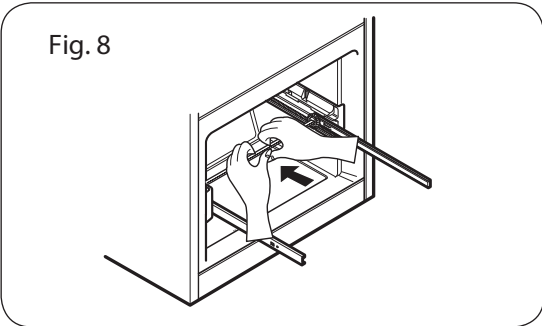
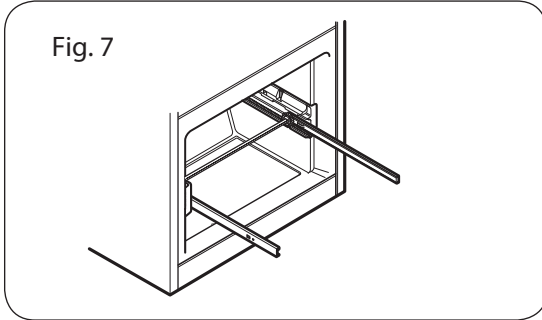
**CAUTION:** When laying down the drawer, be careful not to damage the floor or hurt your feet with the sharp edges on hinge side.

- With both hands, hold both sides of the door (Fig. 5) and pull it up to separate it from the rails. (Fig. 6)



# REFRIGERATOR INSTALLATION

- Push the rails back into drawer cavity. With both hands, hold the center of the bar and push it in so that both rails go back simultaneously. (Fig.7) (Fig. 8)

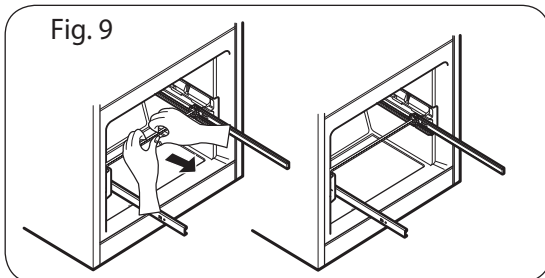


## HOW TO REMOVE AND INSTALL THE PULL OUT DRAWER (CONT.)

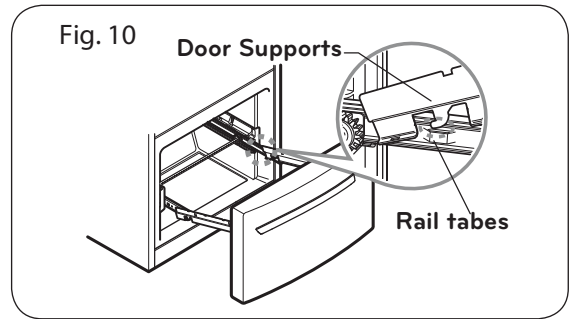
### 2. Installing Pull out Drawer

**IMPORTANT:** To avoid possible injury, product or property damage, you will need two people to perform the following instructions.

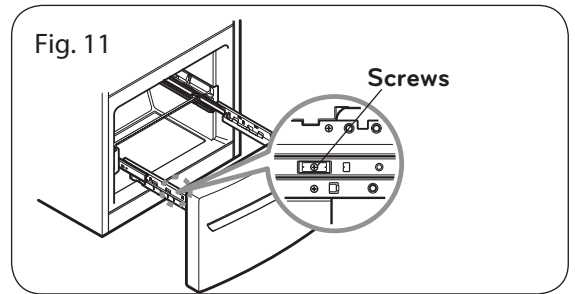
- With both hands, hold the center of the bar and pull it out to let both rails out to full extension simultaneously. (Fig. 9)



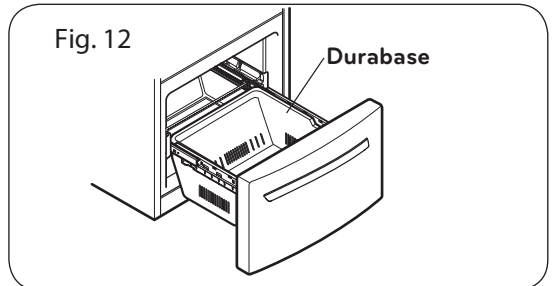
- Hook door supports into rail tabs. (Fig. 10)



- Lower door into final position and tighten the screws. (Fig. 11)



- With the rails pulled out to full extension, insert the durabase in the rail assembly. (Fig. 12)



**⚠ WARNING:** To prevent accidental child and pet entrapment or suffocation risk, DO NOT allow them to play inside of drawer.

**⚠ WARNING:** DO NOT step or sit down on Freezer Drawer.

# REFRIGERATOR INSTALLATION

## CLOSING AND ALIGNING THE DOORS

### Closing the Doors

Your refrigerator has two front leveling screws, one on the right and one on the left. If your refrigerator seems unstable or if you would like the doors to close more easily, simply adjust the inclination of the refrigerator by following the instructions below:

1. Plug the refrigerator into a 3 prong grounded outlet. Move the refrigerator into its final position.
2. Use a flat head screwdriver to adjust the leveling screws, turning clockwise to raise the side of the refrigerator and counter-clockwise to lower it. It may take several turns to adjust it to the inclination you would like.

**NOTE:** Having someone push against the top of the refrigerator takes some weight off the leveling screws. This will make it easier to adjust the screws.

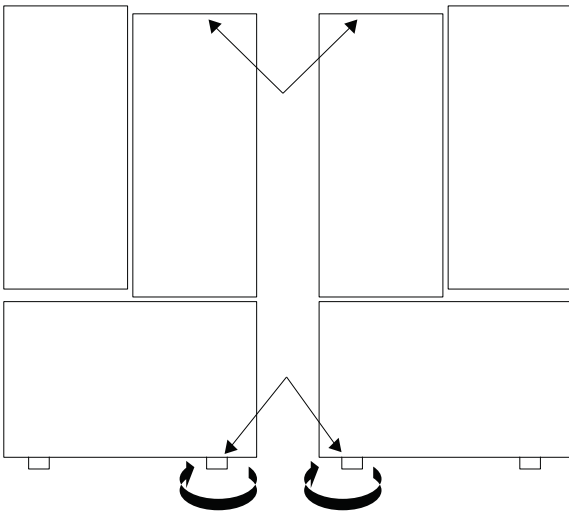


Image only for reference.

3. Open both doors again and check to make sure that they close easily. If not, slightly tilt the refrigerator further back by turning both leveling screws clockwise. It may take several more turns. Make sure that you turn both leveling screws the same amount.
4. Ensure that the refrigerator is even by using a level.

**NOTE:** Your new refrigerator is uniquely designed with two fresh food doors. Either door can be opened or closed independently of one another. You may have to exert slight pressure on doors to get them to close completely.

### Aligning the Doors

To adjust the height of the doors, use the wrench (Included with the User Manual) to adjust the bolt in the door hinge (counter clockwise to raise or clockwise to lower)

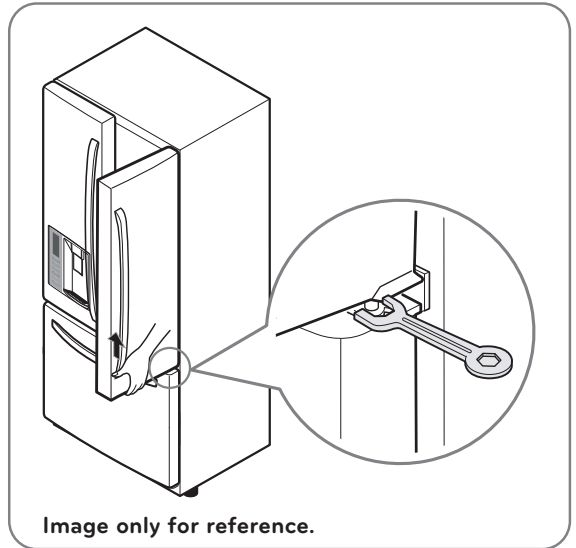
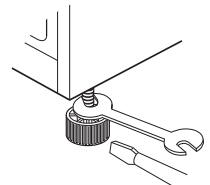


Image only for reference.

### When moving your refrigerator

**Note:** Your refrigerator is extremely heavy. When moving the refrigerator for installing, cleaning or service be sure to follow the next instructions.

1. Adjust leveling legs up.



2. Cover the floor with cardboard or hardboard to avoid floor damage.
3. Always pull or push the refrigerator straight out when moving it. Do not wiggle or "walk" the refrigerator when trying to move it, as floor damage could occur.

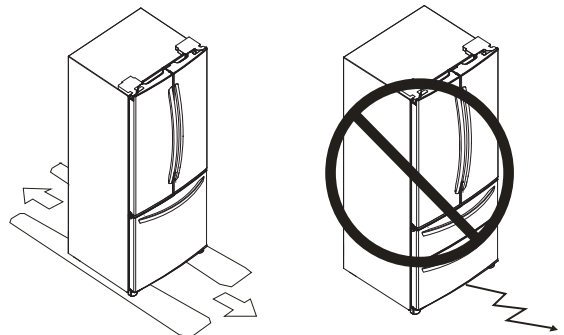
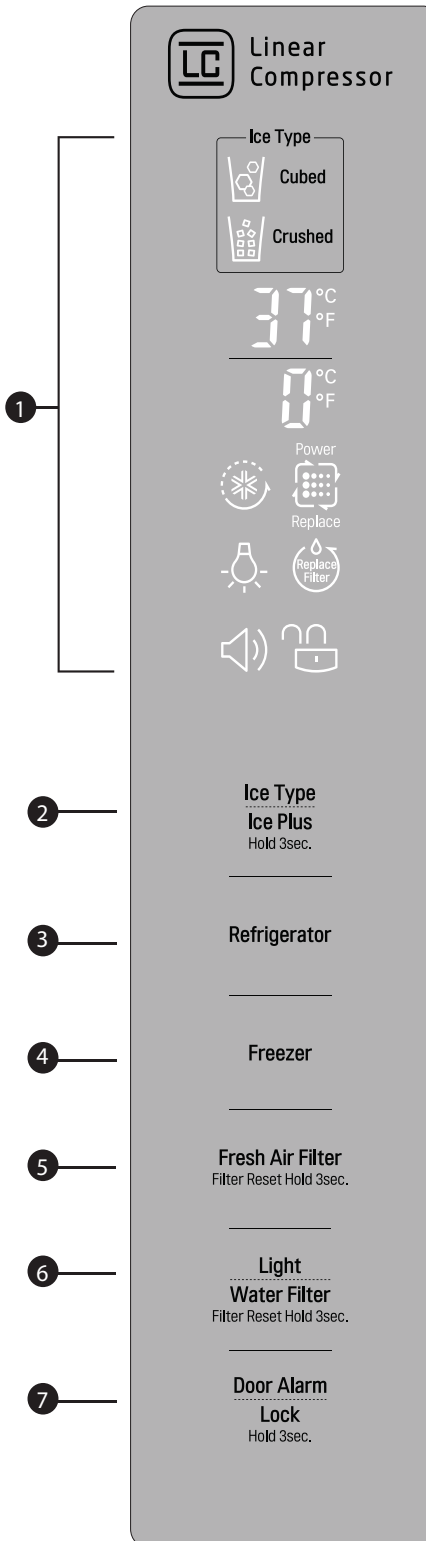


Image only for reference.

# USING YOUR REFRIGERATOR

## CONTROL PANEL FEATURES

**NOTE:** The shape of the buttons may not match your model.



### 1 LED DISPLAY

The **LED** display shows the temperature settings, dispenser options, water filter, door alarm, and locking status messages.

### 2 ICE TYPE / ICE PLUS

The **ICE TYPE / ICE PLUS** button is used to select Cubed Ice or Crushed Ice. Press and hold this button for at least 3 seconds to activate or deactivate the Ice Plus mode.

### 3 REFRIGERATOR BUTTON

Press the **REFRIGERATOR** button to adjust the temperature in the refrigerator compartment.

**NOTE:** When pressed simultaneously with the **FREEZER** button for more than five seconds, the temperature display will change from Fahrenheit to Celsius or vice versa.

### 4 FREEZER BUTTON

Press the **FREEZER** button to adjust the temperature in the freezer compartment.

**NOTE:** When pressed simultaneously with the **REFRIGERATOR** button for more than five seconds, the temperature display will change from Fahrenheit to Celsius or vice versa.

### 5 FRESH AIR FILTER BUTTON (in some models)

Press this button to control the Air Filter Function to remove odors from the refrigerator.

Press and hold the **FRESH AIR FILTER** button for more than 3 seconds to reset the filter indicator after the air filter has been replaced.

### 6 LIGHT/WATER FILTER BUTTON

The **LIGHT / WATER FILTER** button controls the lamp in the dispenser.

Press and hold the **LIGHT / WATER FILTER** button for more than 3 seconds to reset the filter indicator after the water filter has been replaced.

### 7 DOOR ALARM/LOCK BUTTON

Press this button to control the door-open alarm. Press and hold this button at least 3 seconds to lock or unlock all the other function buttons on the control panel, including operation of the dispenser.

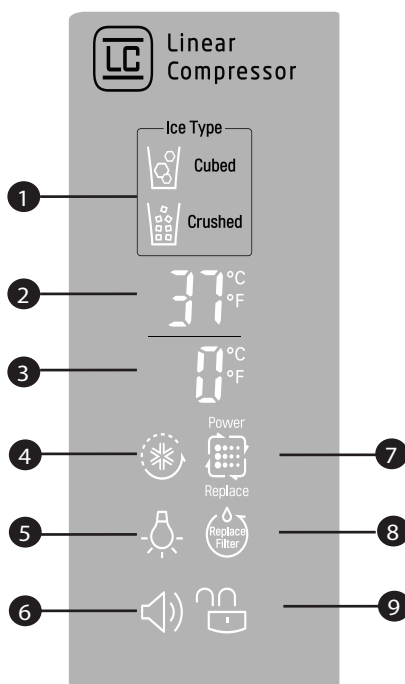


# USING YOUR REFRIGERATOR

## THE LED DISPLAY

The LED display shows the temperature settings, dispenser options, water filter, door alarm, and locking status messages.

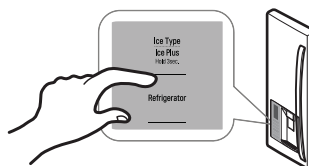
- 1 DISPENSER SELECTION INDICATOR**  
Shows Cubed ice or Crushed Ice selection that will be dispensed when the push switch is pressed.
- 2 REFRIGERATOR TEMPERATURE**  
Indicates the set temperature of the refrigerator compartment in Celsius or Fahrenheit.
- 3 FREEZER TEMPERATURE**  
Indicates the set temperature of the freezer compartment in Celsius or Fahrenheit.
- 4 ICE PLUS**  
When the **ICE PLUS** button is pressed, the display will indicate the selected function has been activated.
- 5 DISPENSER LIGHT INDICATOR**  
When the **LIGHT** button is pressed, the display will indicate the selected function: The dispenser light is on, this indicator will appear on the display panel.
- 6 DOOR ALARM INDICATOR**  
This indicator shows that the door-open warning alarm is activated.
- 7 AIR FILTER BUTTON (on some models)**  
This indicator shows the air filter is activated.
- 8 WATER FILTER STATUS**  
This indicator shows the current status for the water filter. See Resetting the Filter Indicator.
- 9 LOCK STATUS**  
This indicator shows the current status for the control panel functions is set to LOCK.



## ⚠ CAUTION

### Display mode setting and its cancellation

- With the refrigerator door open, keep pressing the **REFRIGERATOR** button and **ICE TYPE / ICE PLUS** button more than 5 seconds, then it goes to the display mode. (Display will show the word "OFF").
- Perform the same way again to cancel the display mode.
- All freezing units do not work at the display mode.

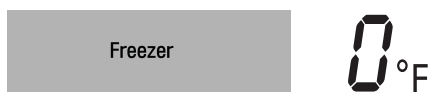


# USING YOUR REFRIGERATOR

## ADJUSTING THE TEMPERATURES AND DISPLAY

### Adjust Freezer Temperature

To adjust the temperature in the freezer compartment, press the **FREEZER** button to cycle through the range of available settings.



### Adjust Refrigerator Temperature

To adjust the temperature in the refrigerator compartment, press the **REFRIGERATOR** button to cycle through the range of available settings.

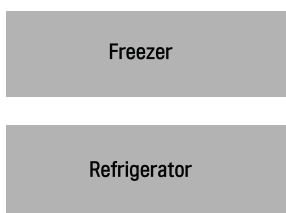


**NOTE:** The actual inner temperature varies depending on the food status, since the indicated temperature setting is the target temperature and not the actual temperature within the refrigerator. Initially set the REFRIGERATOR CONTROL at 37 °F (3°C) and the FREEZER CONTROL at 0°F (-18°C). Leave them at these setting for 24 hours (one day) to stabilize. Then adjust the compartment temperature as illustrated above.

### TEMPERATURE DISPLAY

To change the temperature display from Fahrenheit to Celsius:

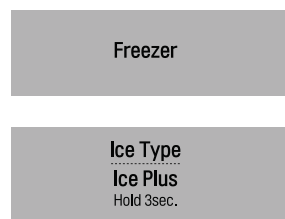
- Simultaneously press and hold the **FREEZER** and **REFRIGERATOR** buttons for more than 5 seconds.
- Do the same to convert back to Fahrenheit.



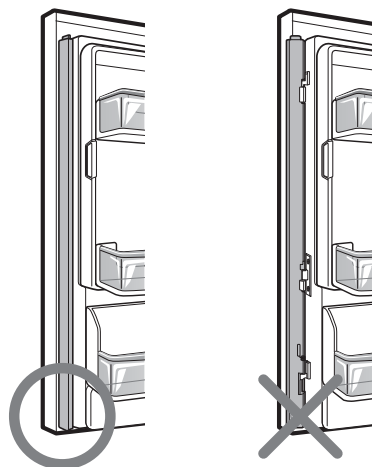
### POWER SAVING MODE (in some models)

- The display will remain off until the next time the door is opened.
- The display will also turn on when any button is pressed, and it will remain on for 20 seconds after the last door opening or button selection.
- To deactivate the Power-Saving Mode, press the **FREEZER** and **ICE TYPE / ICE PLUS** buttons simultaneously and hold them for 5 seconds until the tone sounds.

**NOTE:** Power Saving Mode function is set on the product.



### CAUTION WHEN CLOSING THE DOOR



### ⚠ CAUTION

To reduce the risk of door scratches, please make sure that the refrigerator door mullion is always folded in.

# USING YOUR REFRIGERATOR

## OPERATING THE DISPENSER

### DISPENSING CRUSHED ICE

Ice Type  
Ice Plus  
Hold 3sec.



Press the **ICE TYPE / ICE PLUS** button to illuminate the Crushed Ice icon. Press the push ice switch with a glass or other container and crushed ice will be dispensed.

### DISPENSING WATER



**WATER**

Press the push **WATER** switch with a glass or other container and chilled water will be dispensed. When the water switch is pressed, the light will be illuminated.

### DISPENSING CUBED ICE

Ice Type  
Ice Plus  
Hold 3sec.



Press the **ICE TYPE / ICE PLUS** button to illuminate the Cubed Ice icon. Press the push switch with a glass or other container and cubed ice will be dispensed.

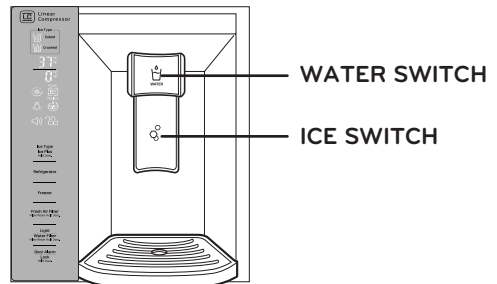
### CONTROLLING THE DISPENSER LIGHT

Light  
Water Filter  
Filter Reset Hold 3sec.



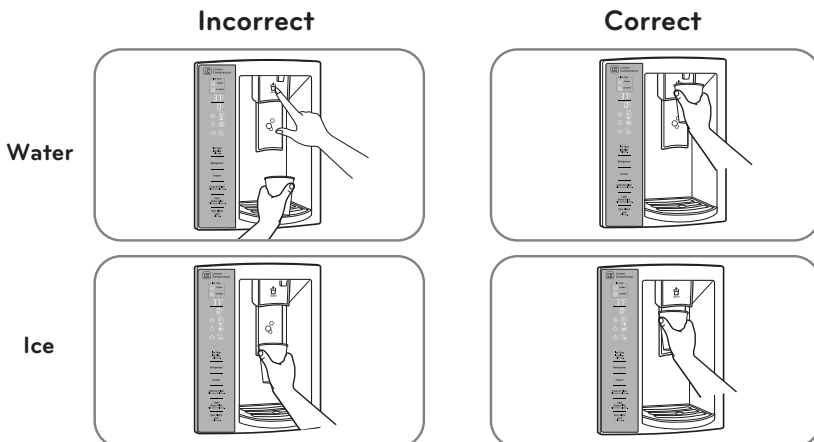
Press the **LIGHT / WATER-FILTER** button to turn the dispenser light on and off.

**NOTE:** Hold the glass or other container in place for a couple of seconds after dispensing ice or water to catch the last few cubes or drops. The dispenser is designed to not operate while either refrigerator door is open.



## CAUTION

- When filling container with a small opening, place the container as close as possible to the opening on the water or ice dispenser.
- Do not dispense ice into fine china or crystal glasses. China or crystal can break.



# USING YOUR REFRIGERATOR

## SETTING THE FUNCTIONS

### SETTING THE DISPENSER LOCK

Door Alarm  
Lock  
Hold 3sec.



Press and hold the **DOOR ALARM / LOCK** button for three seconds to lock the dispenser and all of the other control panel functions. Press and hold again for 3 seconds to unlock.

### ACTIVATING ICE PLUS

Ice Type  
Ice Plus  
Hold 3sec.



Press by 3 seconds the **ICE TYPE / ICE PLUS** button once to activate the ICE PLUS function. The ICE PLUS icon on the display panel will illuminate when activated.

The ICE PLUS function runs the freezer compartment at the coldest setting for a 24-hour period to increase icemaking by up to about 20%, and then turns off automatically.

**NOTE:** Press the button again to deactivate the ICE PLUS function.

### SETTING THE DOOR ALARM

Door Alarm  
Lock  
Hold 3sec.



The **DOOR ALARM / LOCK** button also controls the door alarm that sounds three times in 30-second intervals when a compartment door is left open for more than 60 seconds. The alarm stops sounding when the door is closed.

Press the **DOOR ALARM/LOCK** button once to activate and deactivate the door alarm function.

**NOTE:** Contact your local service center if the alarm continues to sound after the doors are closed.

### ACTIVATING FRESH AIR FILTER

Fresh Air Filter  
Filter Reset Hold 3sec.

The **FRESH AIR FILTER** has two settings, Auto and MAX. In Auto mode, the Air Filter will cycle on and off in increments of ten minutes on and 110 minutes off.

If set to the MAX mode, the Air Filter will stay on continuously for four hours, cycling on and off in increments of ten minutes on and five minutes off.

After four hours, the Air Filter will switch to Auto mode.

- Auto mode is the default mode.
- Press the Air Filter button once for MAX mode.

When the REPLACE icon turns on, the air filter needs to be replaced. After replacing the air filter, press and hold the Air Filter button for 3 seconds to turn the icon light off. It is recommended to change the air filter approximately every six months.

### RESETTING THE FILTER INDICATOR

Light  
Water Filter  
Filter Reset Hold 3sec.



Press and hold the **LIGHT / WATER FILTER** button for more than 3 seconds to reset the filter indicator after the water filter has been replaced.

**NOTE:** It is recommended that the filter be replaced when the indicator light on the front dispenser reaches O. If the water or ice cube taste starts to deteriorate.

### DIAGNOSTIC FAILURE DETECTION

The diagnostic function automatically detects problems with your refrigerator, and a diagnostic code will appear in the display. **NOTE:** If a diagnostic code appears in the display during use, note the code and call your Service Center. Refer to the Warranty Card to obtain the telephone number of the Service Center near you.

# USING YOUR REFRIGERATOR

## SPACEPLUS ICE SYSTEM

### ⚠ CAUTION

- Keep hands and tools out of the ice compartment door and dispenser chute. You could break something or injure yourself.

The icemaker will stop producing ice when the ice bin is full. If you need more ice, empty the ice bin into the extra ice bin in the freezer compartment so the icemaker can keep producing ice.

Shake the ice bin occasionally to level the ice in it. Sometimes the ice piles up near the icemaker, causing the icemaker to misread the amount of ice cubes and stop producing ice.

**NOTE:** Storing cans or other items in the ice bin may damage the icemaker.

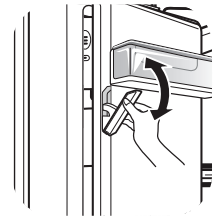
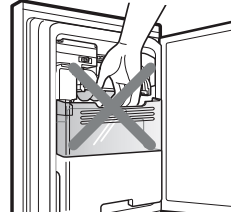
Keep the ice compartment door closed tightly. If the ice compartment door is not closed tightly, the cold air in the ice bin will freeze food in the refrigerator compartment. This could also cause the icemaker to not produce ice.

**NOTE:** If the On/Off switch on the icemaker is set to Off for an extended time, the ice compartment will gradually warm up to the temperature of the refrigerator compartment. To prevent ice cubes from melting and leaking from the dispenser, ALWAYS empty the ice bin when the icemaker is set to Off for more than a few hours.

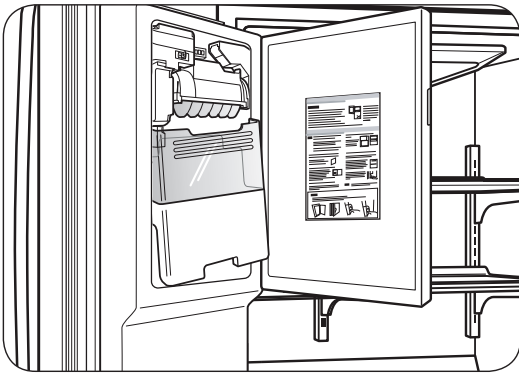
### ⚠ CAUTION

While you handle the ice bin, keep your hands out of blade. The blade has sharp edges could cause injury.

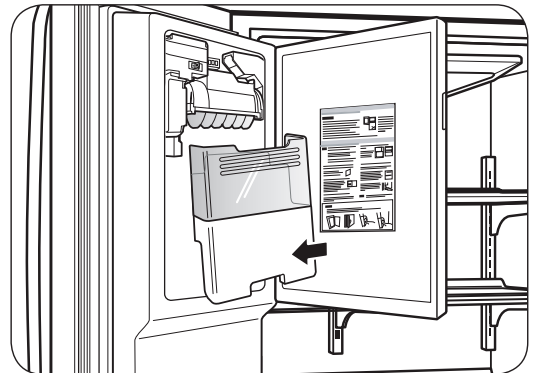
**NOTE:** To open or close the ice room compartment, push or pull on the handle.



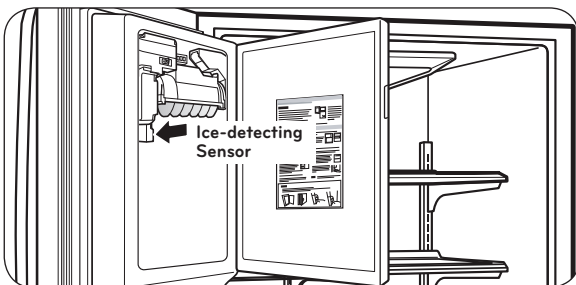
Ice maker operation video



To remove the in-door ice bin, grip the front handle, slightly lift the lower part, and slowly pull out the bin as shown.



To reinstall the in-door ice bin, slightly slant the bin during replacement to avoid contact with the icemaker.



**NOTE:** Avoid touching the Ice-detecting sensor when replacing the ice bin. See the label on the ice compartment door for details.

## AUTOMATIC ICEMAKER

Ice is made in the automatic icemaker and sent to the dispenser. The automatic icemaker can make 10 or 12 ice cubes (depending on your device) at a time, above 100 cubes per 24-hour period. This quantity may vary by circumstance, including freezer compartment temperature, room temperature, number of door openings, freezer load, and other operating conditions.

- It takes about 12 to 24 hours for a newly installed refrigerator to make ice.
- Icemaking stops when the ice storage bin is full.
- To turn off the automatic icemaker, set the icemaker switch to OFF (O). To turn on the automatic icemaker, set the switch to ON (I).
- The water pressure must be 20 and 120 psi on models without a water filter and between 40 and 120 psi on models with a water filter to make normal amount and size of ices.

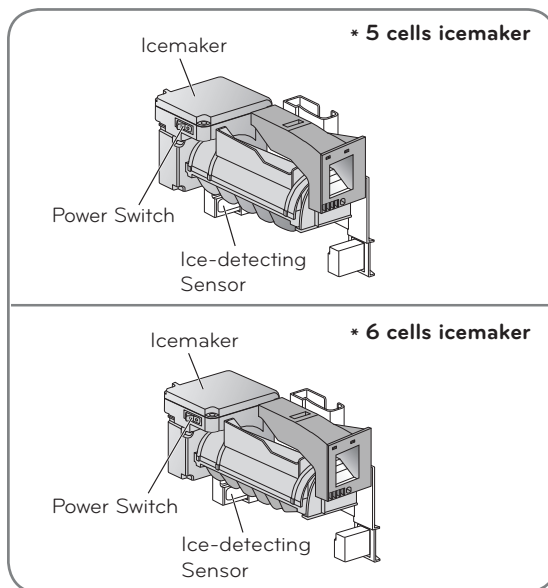
**NOTE:** It is normal that a noise is produced when ice drops into the ice storage bin.

- Even when the water pipe is not connected and the Ice Maker is turned on, the water valve operates. The noise is generated because the water pipe is not connected, which does not mean the icemaker is defective.

## WARNING

### Personal Injury Hazard

- DO NOT place fingers or hands on the automatic icemaking mechanism while the refrigerator is plugged in.



## CAUTION

- The first ice and water may include particles or odor from the water supply line or the water tank.
- Throw away the first few batches of ice (about 20 pieces) and purge the water line for 2 minutes after installation to eliminate air and odd tastes.
- This is also necessary if the refrigerator has not been used for a long time.
- Never store beverage cans or other foods in the ice bin for the purpose of rapid cooling. Doing so may damage the icemaker or the containers may burst.
- If discolored ice is dispensed, check the water filter and water supply. If the problem continues, contact an Authorized Service Center. Do not use the ice or water until the problem is corrected.
- Keep children away from the dispenser. Do not allow children to play in or around dispenser.
- The ice passage may also become blocked with frost if only crushed ice is used. Remove the frost that accumulates.
- Never use thin crystal glass or crockery to collect ice.
- Such glasses or containers may break, and glass fragments could be in the ice.
- Dispense ice into a glass before filling it with water or other beverages. Splashing may occur if ice is dispensed into a glass that already contains liquid.
- Never use a glass that is exceptionally narrow or deep. Ice may jam in the ice passage and refrigerator performance may be affected.
- Keep the glass at a proper distance from the ice outlet. A glass held too close to the outlet may prevent ice from dispensing.
- To avoid personal injury, keep hands out of the ice door and passage.
- Never remove the dispenser cover.
- If you find ice or water dispensed unexpectedly, turn off the water supply and call your Service Center. Refer to the Warranty Card to obtain the telephone number of the Service Center near you (24 hours a day, 365 days a year).

**NOTE:** Do not dispense ice continuously for more than 30 sec. Depress and release the dispenser pad for cycles of 30 seconds ON and 80 seconds OFF.

# USING YOUR REFRIGERATOR

## ADJUSTING CONTROL SETTINGS

Give the refrigerator time to cool down completely before adding food. It is best to wait 24 hours before adding food to the refrigerator.

The mid-settings indicated in the previous section should be correct for normal household refrigerator usage. The controls are set correctly when milk or juice is cold to your liking and ice cream is firm.

The refrigerator control functions as the thermostat for the entire appliance. The higher the number setting, the longer the compressor will run to keep the temperature colder. The freezer control adjusts the cold air flow from the freezer to the refrigerator. Setting the freezer control to a lower temperature keeps more cold air in the freezer compartment to make it colder.

If you need to adjust the temperature in the refrigerator or freezer, begin by adjusting the refrigerator first. Wait 24 hours after the refrigerator adjustment to check the freezer temperature. If it is too warm or too cold, then adjust the freezer control as well.

Use the settings listed in the table below as a guide.

CONDITION/REASON:	RECOMMENDED ADJUSTMENT:
<b>REFRIGERATOR section is too warm</b> <ul style="list-style-type: none"> <li>Opening the door often</li> <li>Adding a large amount of food</li> <li>Room temperature is very warm</li> </ul>	<b>Adjust the REFRIGERATOR setting to the next highest number and wait 24 hours, then check.</b>
<b>FREEZER section is too warm/ ice is made too slowly</b> <ul style="list-style-type: none"> <li>Opening the door often</li> <li>Adding a large amount of food</li> <li>Room temperature is very low (not cycling often enough)</li> <li>Using ice frequently</li> <li>Air vents blocked by objects</li> </ul>	<b>Adjust the FREEZER setting to the next highest number and wait 24 hours, then check.</b>  <b>Remove any objects blocking air flow.</b>
<b>REFRIGERATOR section is too cold</b> <ul style="list-style-type: none"> <li>Controls not set correctly for your conditions</li> </ul>	<b>Adjust the REFRIGERATOR setting to the next lowest number and wait 24 hours, then check.</b>
<b>FREEZER section is too cold</b> <ul style="list-style-type: none"> <li>Controls not set correctly for your conditions</li> </ul>	<b>Adjust the FREEZER setting to the next lowest number and wait 24 hours, then check.</b>

## FOOD STORAGE GUIDE

ITEMS	HOW TO STORE
<b>Storing Fresh Food</b>	Wrap or store food in the refrigerator in airtight and moisture-proof material unless otherwise noted. This prevents food odor and taste transfer throughout the refrigerator. For dated products, check date code to ensure freshness.
<b>Butter or margarine</b>	Store opened butter in a covered dish or in a closed compartment. When storing a larger quantity, wrap in freezer packing and freeze.
<b>Cheese</b>	Store in original packaging until you are ready to use it. Once opened, tightly rewrap with plastic wrap or aluminum foil.
<b>Vegetables with skins (carrots, peppers)</b>	Place in bags or plastic containers inside the crisper.
<b>Fruit</b>	Wash and let dry; store in plastic bags in the refrigerator. Do not wash or pit berries until you are ready to eat them. Berries should be selected and kept in their original packaging (if there is any) or in a paper bag closed halfway and set on a shelf.
<b>Leafy Vegetables</b>	Remove original packaging and trim any dirty or discolored parts. Wash in cold water and drain. Place in a plastic bag or plastic container and store in the crisper.
<b>Fish</b>	Consume fish or seafood the same day purchased.
<b>Chef Fresh</b>	Store any meat in original airtight, moisture-proof packaging. Rewrap if necessary.
<b>Leftovers</b>	Cover leftovers with plastic wrap or aluminum foil. Plastic containers with airtight lids can also be used.

## STORING FROZEN FOOD

**NOTE:** For more information on how to prepare food to be frozen such in a way to see the period they can be stored consult a frozen food guide or cook book.

### Packaging

A great freezing depends on how great you package the food. When you seal the package make sure you remove all excess air and do not allow humidity. A package that is incorrectly sealed will result in the transmission of bad odors, contaminants inside your refrigerator and will

# USING YOUR REFRIGERATOR

## Packaging Recommendations:

- Use sealed plastic containers.
- Use plastic containers with a smooth surface.
- Package with aluminum foil of high resistance.
- Wrap with paper layered with plastic.
- Use water proof plastic.
- Use recommended plastic bags to store frozen foods.

Follow these packaging or container instructions in order to reach the best freezing

## Do not use:

- Bread Wrapping.
- Plastic container not safe for storing.
- Containers without lids or seals.
- Waxed paper or waxed plastic.
- Thin wrapping paper or not water proof.

## Freezing

**IMPORTANT:** Do not keep bottles in the freezer compartment, they may explode after freezing and cause damage.

For the maximum use of your freezer do not store excess food. Do not introduce a large amount of unfrozen foods that cannot be frozen within 24 hours (no more than 2 - 3 pounds or ,91 kg - 1,36 kg of food per square inch of space in the freezer). Sufficient space must be left in order for the air to circulate properly around the packages. Leave enough space in order to close your refrigerator with out difficulty.

Storage times can vary depending on the type and quality of the food, the way its package, or packaging container used, (in comparison to air and humidity), and the temperature it being stored in. Ice crystals formed inside your package are normal it indicates the air and humidity inside your package have condensed.

**NOTE:** Let warm foods cool off at room temperature for approximately 30 min, then wrap accordingly with the methods mention above and freeze. By letting your warm foods cool off before you introduce them to your freezer it will save you energy.

## ⚠ WARNING

### SUFFOCATING DANGER

Adequate ventilation is required when using dry ice. Dry ice is Carbon Dioxide (CO<sub>2</sub>). When it evaporates it produces oxygen, causing dizziness, slight headaches, unconsciousness or death. Do not inhale these vapors and properly ventilate the room while you use dry ice.

## REFRIGERATOR SECTION

### REFRIGERATOR SHELVES

The shelving of your refrigerator can be adjusted to comply with your storage necessities; Depending on the model you have in can include glass shelving or wired shelving. The storing of your foods together and adjusting the shelving to different heights will ease to help you locate what you need. This also helps your refrigerator to stay shut longer which will save you energy.

**IMPORTANT:** While your refrigerator glass shelving are cold do not clean with hot or warm water. The glass shelving may break if exposed to rapid temperature changes or hard impacts. For your safety the glass shelving are made out of tempered glass so when at breaking they will fracture into tiny fragments.

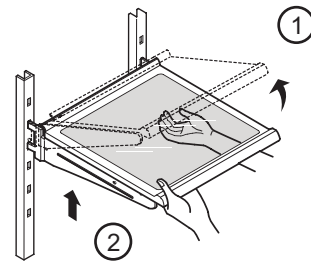
**NOTE:** Be careful while moving or relocating the shelves they are heavy. If moving the shelves is required keep in mind to locate them in a safe environment to prevent them from breaking.

### Adjusting Shelves

Remove the shelves and adjust them to your convenience.

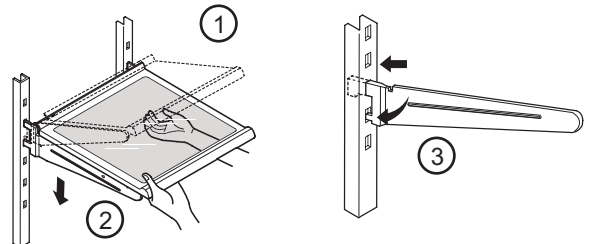
#### • Removing Shelves

Incline the front of the shelf in the direction indicated by figure 1 and lift in the direction indicated by figure 2. Pull the shelf towards you.



#### • Replacing Shelves

Incline the frontal part of the shelf (1) and guide the shelf hooks towards the openings at the height desired. Then lower the front of the shelf (2) so the hooks can be inserted (3) in the shelf supports.



**NOTE:** Make sure that the shelf is installed in the horizontal manner. If not secured it can cause the shelves to fall, which will cause your stored food to spill.



# USING YOUR REFRIGERATOR

## Sliding Shelves (in some models)

You can slide some of the shelves in your refrigerator towards inside or outside like explained below.

- To slide the shelf towards the outside: Pull towards you, figure A.
- To slide the shelf towards the inside: Push until it stops, figure B.

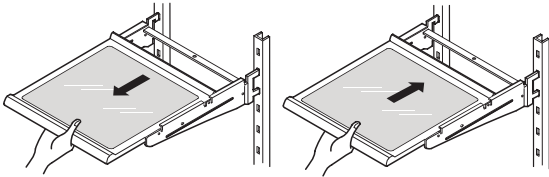


Figure A

Figure B

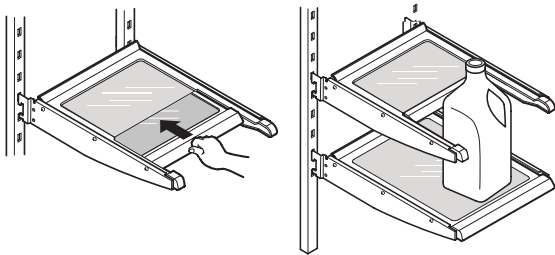
## In order to remove a shelf from a metal frame

- Pull the shelf until it stops.
- Incline the front of the shelf towards the top and pull forward.
- Lift the shelf in the manner it moves across the support openings.

To put back into place just reverse these steps.

## Functional Shelves (Folding Shelves, in some models)

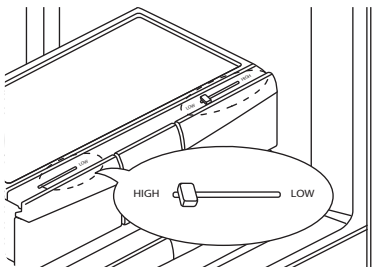
You can store tall articles like gallons or bottles just by simply folding the shelf in half.



## CRISPER HUMIDITY CONTROL (in some models)

You can control the amount of humidity in the moisture-sealed crispers. Adjust the control to any setting between HIGH and LOW.

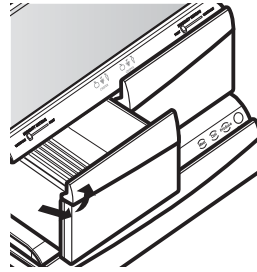
- **"High"**: keeps moist air in the crisper for best storage of vegetables.
- **"Low"**: lets moist air out of the crisper for best storage of fruits.



## To remove or replace the crisper:

- To remove, slide the crispers out to full extension.
- Lift the front of the crisper up, then pull it straight out.
- To install, slightly tilt up the front and insert the drawer into the frame and push it back into place.

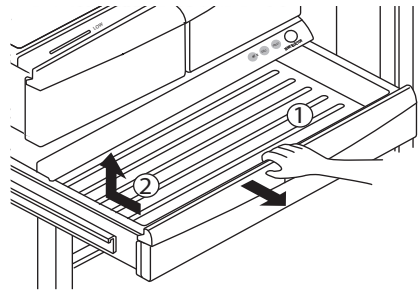
**CAUTION:** Be careful when you handle the glass cover because it could loose.



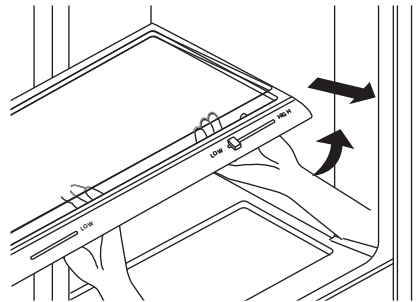
## To remove or replace Glide'N'Serve drawer

1. To remove, pull the drawer out to full extension.
  2. Lift the front of the drawer up, then pull it straight out
- To install, slightly tilt up the front and insert the drawer into the frame and push it back into place.

**NOTE:** Removing the fixed door bin is recommended to reduce the risk of door bin scratches.



## To remove the glass:

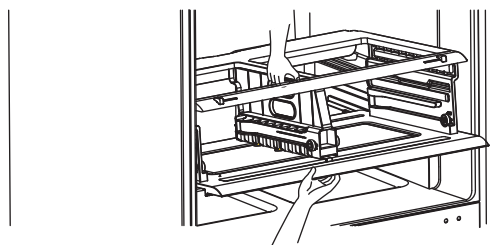


- Lift up the glass under the crisper cover.
- Pull the glass up and out.

## To remove or replace the crisper cover support:

**NOTE:** Remove glass before removing the crisper cover support.

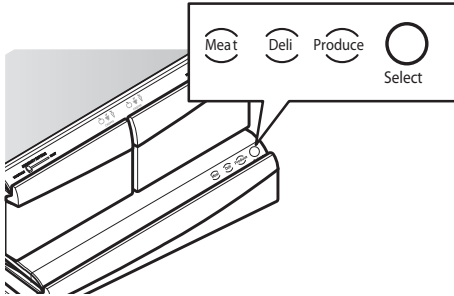
- While holding the crisper cover support with both hands (as shown in the image below). Pull forward and slightly lift the front part.



# USING YOUR REFRIGERATOR

## Glide'N'Serve (In some models).

The Glide'N'Serve provides storage space with a variable temperature control that keeps the compartment colder than refrigerator. This drawer can be used for large party trays, deli items, or beverages.



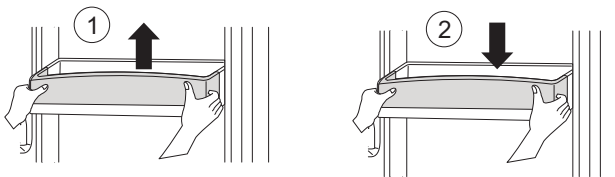
### Selection Button

- When "MEAT" is selected, the temperature of the Glide'N'Serve can be kept around 34°F(1°C). This feature helps keep meat or fish fresh for a longer time. The Glide'N'Serve temperature can be maintained under recommended temperature setting Freezer : 0°F (-18°C), Refrigerator: 37°F (3°C).
- When "DELI" is selected, the temperature of the Glide'N'Serve can be kept around 38°F (3°C). This feature helps keep food fresh for a longer time. The Glide'N'Serve temperature can be maintained under recommended temperature setting Freezer : 0°F (-18°C), Refrigerator : 37°F (3°C).
- When "PRODUCE" is selected, the temperature of the Glide'N'Serve can be kept around 41°F(5°C). This feature helps keep food fresh for a long time. The Glide'N'Serve temperature can be maintained under recommended temperature setting Freezer : 0°F (-18°C), Refrigerator : 37°F (3°C).

## DOOR RACKS

The door racks are removable for easy cleaning and adjusting.

- To remove the rack, simply lift the rack up and pull straight out (1).
- To replace the rack, slide it in above the desired support button and push down until it stops (2).



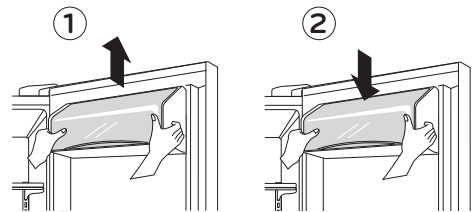
**⚠ WARNING:** Somebody can be hurt if door racks are not firmly assembled.

**⚠ CAUTION:** DO NOT allow children to play with baskets. Sharp corners on baskets could cause injury.

**NOTE:** DO NOT adjust a rack that is loaded with food.

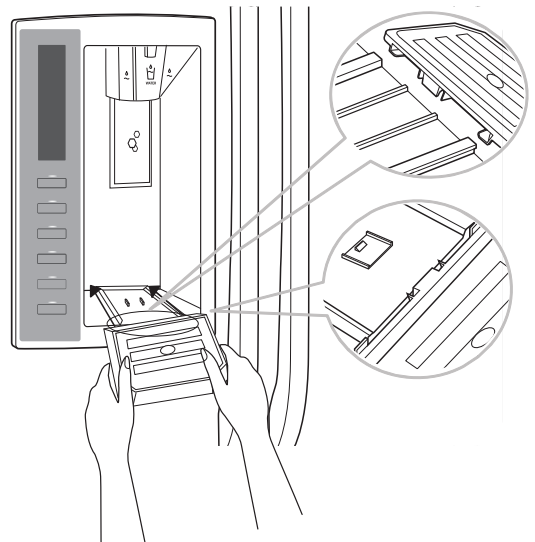
## DAIRY COMPARTMENT (in some models)

- To remove the dairy compartment, simply lift it and pull straight out (1).
- To replace the dairy compartment, slide it in above the desired location and push down until it stops (2).



## DISPENSER DRIP TRAY (in some models)

The dispenser drip tray has no self-draining function. It should be cleaned regularly. Remove the cover by pressing and pulling the tray. Dry it with a cloth. To reinstall the tray, slightly tilt the front of the tray and snap the ribs into the holes.



## FREEZER SECTION

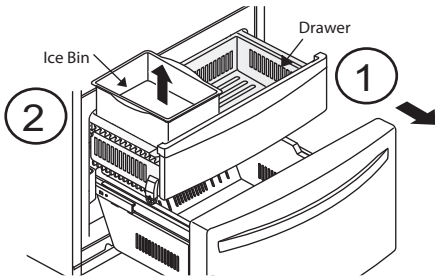
### ICE BIN (In some models)

#### To remove Ice Bin:

- Pull the drawer as much as possible (1).
- Raise the ice box and take it out carefully (2).

#### To reinstall Ice Bin:

- Take the drawer off as much as possible and put the ice bin in the right position.

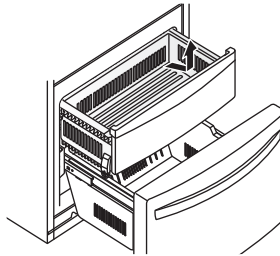


**⚠ WARNING:** In order to prevent accidents, such as suffocation, DO NOT let children and pets play inside the durabase.

**⚠ WARNING:** There is enough space for the children to play.

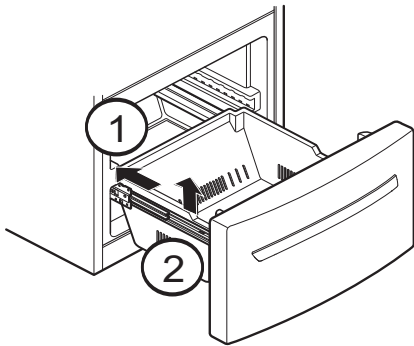
### Pull-Out Drawer

To remove the drawer, push drawer to the back over the stoppers until it stops, gently lift the rear left and right sides of the drawer and pull it out.

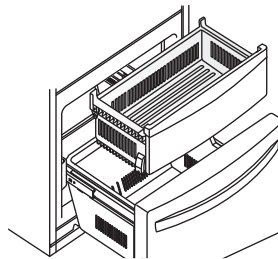


### DURABASE (in some models).

- Fully extend the freezer drawer. Lifting part and pull it up (1).
- To put it back, insert the Durabase in the rail assembly (2).



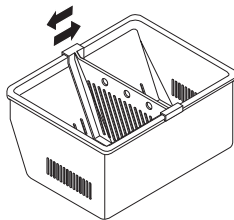
To reinstall, pull out and fully extend both rails. Insert the end of rib in the bracket at left and right. Making sure that the guides at the front are lined up properly, gently push down on both sides.



### DURABASE DIVIDER (in some models)

Allows organizing the Durabase area in 2 sections.

For moving the divider, just move it in the direction that you want.



## REFRIGERATOR CARE AND CLEANING

### **⚠ WARNING**

#### **EXPLOSION HAZARD**



Do not use flammable cleaners. Not following these instructions can cause death, explosion or fire.

The refrigerator, as well as the freezer, do their own de-freezing. This process does not prevent the build up of contaminants, therefore it is suggested that you clean both parts once a month; clean spilled liquids immediately.

### **REFRIGERATOR CLEANING**

- Unplug your refrigerator.
- Pull out all of the removable parts (such as the vegetable and dairy doors).
- Use a clean sponge (or a soft rag) and use it with lukewarm water mixed with detergent. Do not use abrasive or concentrated cleaners.
- Hand wash it, and dry it thoroughly.
- Plug the refrigerator back in.

### **OUTSIDE**

Wax the outside in order to create better protection. Make sure you use a product specifically design to be used for electro-domestic products (car wax is acceptable). Use a clean, soft rag, and perform this task twice a year. For metal-made refrigerators, do not wax, simply clean it with water and detergent. Do not use concentrated or abrasive products.

**NOTE:** Avoid the usage of chemical products that contain phosphates or bleach.

### **INSIDE (Allow freezer to slightly warm up a small degree to prevent cloth from sticking)**

In order to eliminate bad odors, clean the inside of the refrigerator with a mixture of baking powder and lukewarm water (one teaspoon of baking powder per cup of water). Ensure that the powder dissolves thoroughly, in order to prevent any sort of damage.

### **DOOR LINING AND GASKETS**

Use only a mild detergent (such as dish soap).

### **PLASTIC PARTS (Covers and Panels)**

Do not use abrasive, paper or rough products. These could damage the product.

### **BACK COVER**

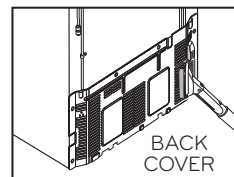
### **⚠ WARNING**

#### **ELECTRICAL SHOCK HAZARD**

Before you begin, either unplug the refrigerator or turn off power at the circuit breaker or fuse box.

**NOTE:** Back Cover should only be removed by a qualified technician.

In order to get an efficient performance of your refrigerator, clean the back cover of it at least twice a year.



### **REPLACING REFRIGERATOR LIGHTS**

**NOTE:** The interior lighting for refrigerator uses LED lighting.

DO NOT try to change any LED module. LED lighting should only be replaced by qualified technician.

## REFRIGERATOR CARE AND CLEANING

### POWER INTERRUPTIONS

1. In case of a black out, call your electric company and ask how long it will last.
2. In case of a 24 hour or less black out, do not open the refrigerator; this will keep the food fresh.
3. In case of a longer black out, do one of the following options:
  - Pull out all of the frozen food and keep them in an ice chest.
  - Put 2 lbs (907 g) of frozen ice (make sure you use gloves) for each square foot (28 L) inside the freezer. This task will preserve the food from 2 to 4 days.
  - In case you do not possess neither ice chest or dry ice, consume your food as soon as possible.

**REMEMBER:** In a power failure, a full freezer stays cold longer than a partially filled one. A freezer full of meat stays cold longer than a freezer full of baked goods. If you see that food contains ice crystals, it may be safely refrozen, although the quality and flavor may be affected. If the condition of the food is poor or if you feel it unsafe, dispose of it.

### WHEN GOING ON VACATION

If you decide to leave your refrigerator on when going away, consider these steps:

1. Consume all of the perishable items and freeze the rest.
2. Empty the ice bin.

If you decide to leave your refrigerator off:

1. Remove all of the food.
2. Unplug your refrigerator.
3. Clean and dry it well.
4. Make sure the doors stay open (use blocks or tape) in order to prevent bad odors and fungi from happening.

### WHEN MOVING

If you decide to take your refrigerator with you when moving, consider the following:

1. Remove all of the food from it, and place the frozen food in an ice chest with dry ice.
2. Unplug your refrigerator.
3. Empty the water from its tray.
4. Clean and dry it with a rag.
5. Pull out all of the removable parts, and wrap them with adhesive tape.
6. Depending on the model of the refrigerator, lift the top part of the refrigerator so it can roll with ease, or screw the levelers so it won't scratch the floor. Consult to the section "**Closing and Aligning Doors**".
7. Keep the doors closed with the cable glued to the refrigerator cabinet with an adhesive tape.

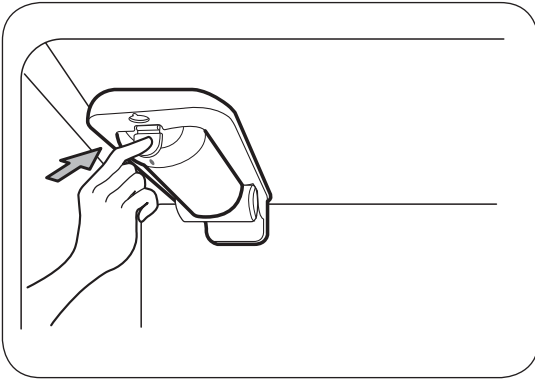
When your refrigerator arrives to your home, put everything back into place and read the section "**Refrigerator Installation**" in order to obtain installation preparation. In case your refrigerator has a factory ice maker, remember you have to reconnect the water supply.

# REFRIGERATOR CARE AND CLEANING

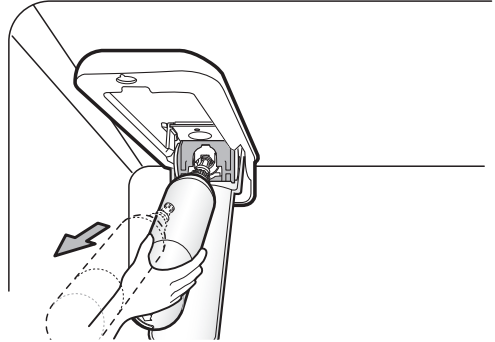
## REPLACING THE WATER FILTER

It is recommended that you replace the filter approximately every 6 months, when the water filter indicator reaches 0 months, or when the ice and water dispenser noticeably decreases out-put.

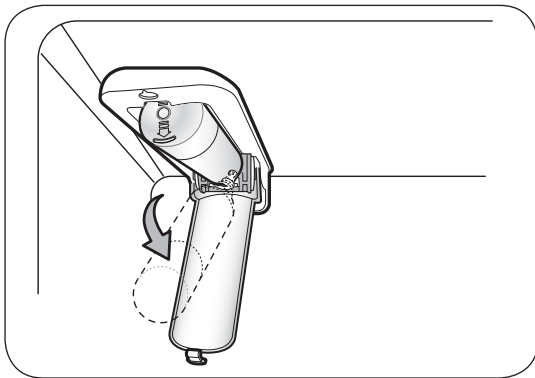
### Remove the old cartridge.



1. Press the push button to open the filter cover.  
**NOTE:** Replacing the filter causes a small amount of water (around 1 oz. or 25 cc) to drain. Place a cup under the filter hole to catch any waste.



3. Pull out the filter cartridge.  
**NOTE:** When opened at a full angle the cartridge should easily come out.

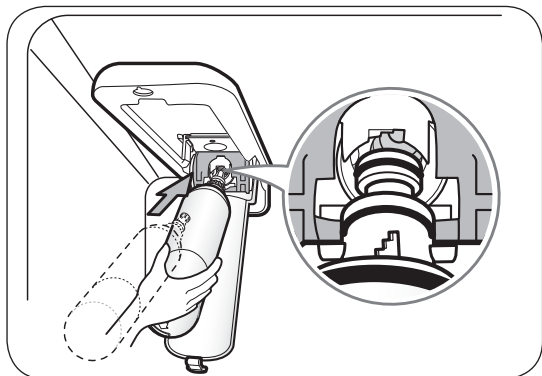


2. Pull the cartridge downward.

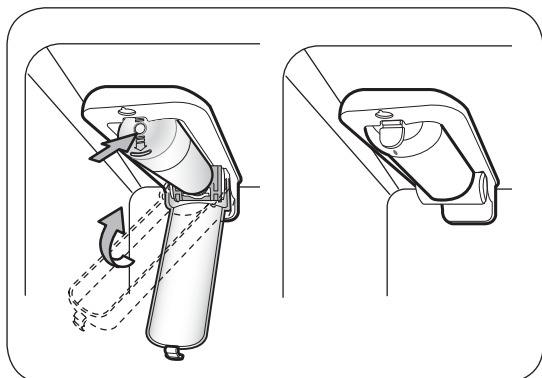
# REFRIGERATOR CARE AND CLEANING

## REPLACING THE WATER FILTER

Replace with a new cartridge.



1. Take the new cartridge out of its packing and remove the protective cover from the o-rings. With cartridge ears in the horizontal position, push the new filter cartridge into the manifold hole until it stops.



2. Firmly lock in the cartridge.  
The cover will click back into place.

**NOTE:** After replacing the filter, flush 2.5 gallons through filter before use (flush for approximately 5 minutes).

Check the filter for leaks.

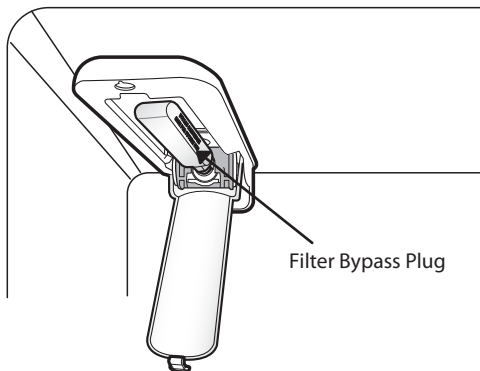


When the water filter indicator displays the message 0 Filter Month, hold 3 seconds. Reset the water filter status display and indicator light by pressing and holding the **LIGHT / WATER FILTER** button for at least 3 seconds.

### **NOTE: Filter Bypass Plug**

Keep the filter bypass plug.

You must use the filter bypass plug when a replacement filter cartridge is not available. The icemaker will not operate without the filter or filter bypass plug inserted in the proper compartment.



To purchase replacement water filter cartridges, visit your local appliance dealer or parts distributor, or refer to the warranty card to obtain the telephone number of the service center near to you.

You can also call:

USA **1-800-243-0000**

CANADA **1-888-LGCANADA**

(24 hours per day/7 days per week).

The replacement water filter cartridge's part number is **ADQ36006101**.

# REFRIGERATOR CARE AND CLEANING

## Performance Data Sheet

Model: LG ADQ36006101-S

Use Replacement Cartridge: ADQ36006101

The concentration of the indicated substances in water entering the system was reduced to a concentration less than or equal to the permissible limit for water leaving the system as specified in NSF/ANSI Standard 42 and Standard 53.



System tested and certified by NSF International against NSF/ANSI Standard 42 and Standard 53 for the reduction of substances listed below.

Contaminant Reduction	Average Influent	NSF specified Challenge Concentration	Avg % Reduction	Average Product Water Concentration	Max Permissible Product Water Concentration	NSF Reduction Requirements	NSF Test Report
Chlorine Taste and Odor	2.1 mg/L	2.0 mg/L ± 10%	97.2%	0.06 mg/L	N/A	≥ 50%	J-00049247
Nominal Particulate Class I, , ≥0.5 to < 1.0 µm	5,600,000 pts/mL	At least 10,000 particles/mL	98.7%	73,000 pts/ ml	N/A	≥85%	J-00049282
Asbestos	190 MFL	107 to 108 MFL; fibers greater than 10 µm in length	>99%	< 1MLF	N/A	≥99%	J-0004928
Atrazine	0.0094 mg/L	0.009 mg/L ± 10%	94.7%	0.00005 mg/L	0.003 mg/L	N/A	J-00049293
Benzene	0.016 mg/L	0.015 mg/L ± 10%	96.7%	0.005 mg/L	0.005 mg/L	N/A	J-00049300
Carbofuran	0.08 mg/L	0.08 mg/L ± 10%	98.1%	0.002 mg/L	0.04 mg/L	N/A	J-00049294
Lindane	0.002 mg/L	0.002 mg/L ± 10%	98.2%	0.00004 mg/L	0.0002 mg/L	N/A	J-00051975
P-Dichlorobenzene	0.22 mg/L	0.225 mg/L ± 10%	99.8%	0.0005 mg/L	0.075 mg/L	N/A	J-00049298
Toxaphene	0.014 mg/L	0.015 mg/L ± 10%	93%	0.001 mg/L	0.003 mg/L	N/A	J-00049302
2,4-D	0.213 mg/L	0.210 mg/L ± 10%	95.2%	0.009 mg/L	0.07 mg/L	N/A	J-00049284
Lead pH @6.5	0.150 mg/L	0.15 mg/L ± 10%	>99.3%	0.001 mg/L	0.010 mg/L	N/A	J-00051974
Lead pH @8.5	0.150 mg/L	0.15 mg/L ± 10%	>99.3%	0.001 mg/L	0.010 mg/L	N/A	J-00049277
Mercury @ pH 6.5	0.0059 mg/L	0.006 mg/L ± 10%	96.1	0.0002 mg/L	0.002 mg/L	N/A	J-00053886
Mercury @ pH 8.5	0.0058 mg/L	0.006 mg/L ± 10%	90.1	0.0006 mg/L	0.002 mg/L	N/A	J-00051972
Cyst*	120,000 cysts/L	Minimum 50,000 cysts/L	99.99%	<1 cyst/L	N/A	≥99.95%	J-00049281

\* Based on the use of Cryptosporidium parvum oocysts.



## REFRIGERATOR CARE AND CLEANING

Application Guidelines/Water Supply Parameters	
Service Flow	0.5 gpm (1.9 lpm)
Water Supply	Potable Water
Water Pressure	20-120Psi (138~ 827kPa)
Water Temperature	33°F ~ 100°F (0.6°C ~38°C)

It is essential that the manufacturer's recommended installation, maintenance and filter replacement requirements be carried out for the product to perform as advertised.

**Note:** While the testing was performed under standard laboratory conditions, actual performance may vary.

Replacement Cartridge: ADQ36006101.  
For estimated costs of replacement elements please call USA **1-800-243-0000** CANADA **1-888-LGCANADA** (24 hours per day/7 days per week or visit our website at [www.lg.com](http://www.lg.com)).

3M is a trademark of 3M Company.  
NSF is a trademark of NSF International.  
© 2009 3M Company. All rights reserved.

### **WARNING**

**To reduce the risk associated with ingestion of contaminants: Do not use with water that is microbiologically unsafe or of unknown quality without adequate disinfection before and after the system.** Systems certified for cyst reduction may be used on disinfected water that may contain filterable cysts. EPA Establishment Number 10350-MN-005

### **CAUTION**

**To reduce the risk associated with property damage due to water leakage:**

- **Read and follow.** Use Instructions before installation and use of this system.
- Installation and use **MUST** comply with all state and local plumbing codes.
- **Do not install** if water pressure exceeds 120 psi (827 kPa). If your water pressure exceeds 80 psi, you **must** install a pressure limiting valve. Contact a plumbing professional if you are uncertain how to check your water pressure.
- **Do not** install where water hammer conditions may occur. If water hammer conditions exist you must install a water hammer arrester. Contact a plumbing professional if you uncertain how to check for this condition.
- **Do not** install on hot water supply lines. The maximum operating water temperature of this filter system is 100°F (38°C).
- **Protect filter from freezing.** Drain filter when temperatures drop below 40°F (4.4°C).
- The disposable filter cartridge must be replaced every 6 months, at the rated capacity or if a noticeable reduction in flow rate occurs.

# WATER FILTER

State of California  
Department of Public Health  
Water Treatment Device  
Certificate Number  
09-2018

Date Issued: December 15, 2009

---

---

**Trademark/Model Designation**

ADQ36006101-S

**Replacement Elements**

ADQ36006101

**Manufacturer:** Cuno Inc.

---

---

The water treatment device(s) listed on this certificate have met the testing requirements pursuant to Section 116830 of the Health and Safety Code for the following health related contaminants:

**Microbiological Contaminants and Turbidity**

s t s y C

**Inorganic/Radiological Contaminants**

s o t s e b s A

Lead  
Mercury

**Organic Contaminants**

2,4-D Reduction  
Atrazine  
Benzene  
Carbofuran  
Lindane  
p-Dichlorobenzene  
Toxaphene

---

**Rated Service Capacity:** 200 gal

**Rated Service Flow:** 0.5 gpm

---

**Conditions of Certification:**

# CONNECTING THE WATER LINE

## BEFORE START

The water source is not guaranteed by the refrigerator manufacturer. Follow instructions carefully in order to reduce damage.

Air located inside the water pipes can cause hammering or tapping causing damage to the inner pipes or water spillage in the inside of the refrigerator. Call a qualified plumber to fix such hammering on the connections before installing the water pipe.

To avoid burn damage or such, never connect refrigerator to hot water pipes.

If you are to use the refrigerator before connecting it to the water source, make sure the ice maker is the off position.

Never attempt to install the ice maker pipes in areas where room temperature is below freezing point.

When using any electrical device (like a drill) during the installation, make sure device is doubly isolated or making ground to prevent risk of electrical surge or discharge.

All installations should be done considering local water and drainage requirements.

- If an inverted osmosis water filtration system is connected to the cold water source, the water hose installation is not assured or guaranteed by the refrigerator or automated ice maker manufacturer. Follow the next instructions carefully to minimize costly water related damages.
- When having an inverted osmosis water filtration system connected to the cold-water flow, the water pressure for such system must be at least between 40-60 PSI or 0,27 MPa ( $2,8 \text{ kg} \cdot \text{f} / \text{cm}^2 \sim 4,2 \text{ kg} \cdot \text{f} / \text{cm}^2$ , ( $2,8 \text{ kg} \cdot \text{f} / \text{cm}^2 \sim 4,2 \text{ kg} \cdot \text{f} / \text{cm}^2$ , less than  $2 \sim 3$  seconds to fill a 7 oz of capacity cup [0,2 liters]).
- If the inverted osmosis water filtration system pressure is less than 21 PSI or 0,14 MPa ( $1,5 \text{ kg} \cdot \text{f} / \text{cm}^2$ , more than four (4) seconds to fill a 7 oz of capacity cup [0,2 liters]):

- a) Identify if the sediments filter in the inverted osmosis system is being blocked. Replace filter if necessary.
- b) Allow inverted osmosis system storage tank to refill after extensive usage.
- c) Call a qualified plumber if the inverted osmosis water pressure problem continues.

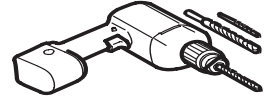
## REQUIREMENTS

- **1/4in (6,35 mm) in diameter copper pipe** to connect refrigerator to the water pipe. Make sure both terminals are cut in squared manner.

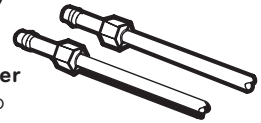


To determine how much pipe material is needed, measures the distances between the valves located behind the refrigerator and the source of water and add to that 8 feet (2,4 m). Make sure there is sufficient pipe material to allow the free movement of the refrigerator from the wall

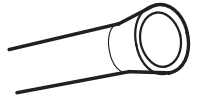
- **A cold water source.** Water pressure should be between 0,138 and 0,82 MPa or 20 and 120 PSI for models not containing water filter and between 0,276 and 0,82 MPa or 40 and 120 PSI for models containing water filter.



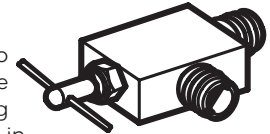
- **A drill.**
- **Adjustable 1/2 in (12,7 mm) key.**
- **Flat and Phillips style (star) screwdriver.**
- **Two 1/4 in (6,35 mm) diameter compression nuts** with two sides to connect the copper pipe to the refrigerator valve.



If your current copper pipe has some reduction on the ends, it will be necessary to get and adaptor (found in hardware stores) to connect the water line to the refrigerator. It is also possible to cut such reductions with a pipe cutter and use the compression connections mentioned above.



- **Bypass valve** to connect to the cold water line. The valve must have a water opening with an interior 5/32 in (3,46 mm) diameter in the cold-water connection point. These valves can be located in any cold-water connection package. Before buying make sure such valve meets local standards and requirements.



## INSTALLATION INSTRUCTIONS

Install the valve to the pipe that you use to drink water. (Connect only to a potable water source).

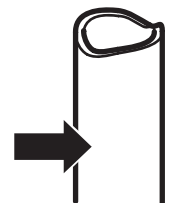
**⚠ CAUTION:** Connect to potable water supply only.

### 1. CLOSE THE MAIN WATER SOURCE

Open the nearest water faucet to let water flow and empty pipes.

### 2. SELECT THE LOCATION OF THE VALVE

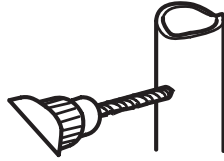
Select the location of the valve that will provide a better access. It is best to connect to a vertical pipeline. When connecting to a horizontal pipeline is necessary, make the connection in the lateral or upper area instead of the lower area to prevent accumulation of sediment.



## CONNECTING THE WATER LINE

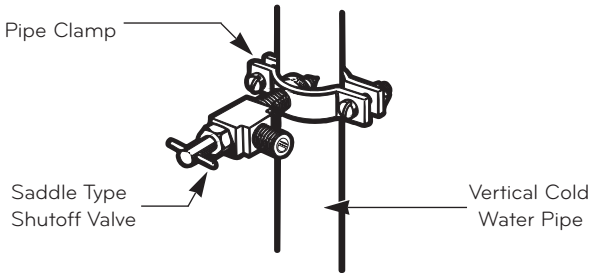
### 3. DRILL A HOLE FOR THE VALVE

Drill a 1/4" (6,35 mm) diameter hole in the water pipeline. Remove jagged edges produced after perforation. Make sure water does not reach the drill. Not performing the 1/4" (6,35 mm) perforation can lead to a low or smaller ice production.



### 4. TIGHTEN THE VALVE

Tight the valve into the cold water pipeline with a tube trap.

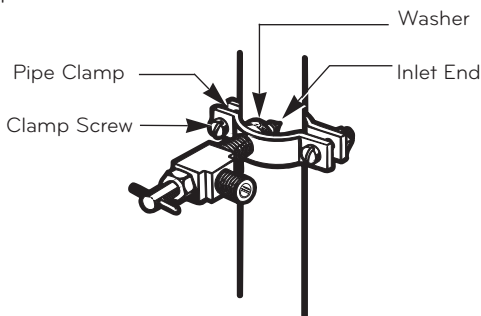


**NOTE:** Codes for 248 CMR pipelines of the state of Massachusetts must be attached to the connection. Valves of this type are banned in Massachusetts. Call an authorized plumber.

### 5. TIGHTEN THE TRAP

Tighten the trap until the sealing ring begins to grow.

**NOTE:** Make sure it is not too tight, this can break the pipe.



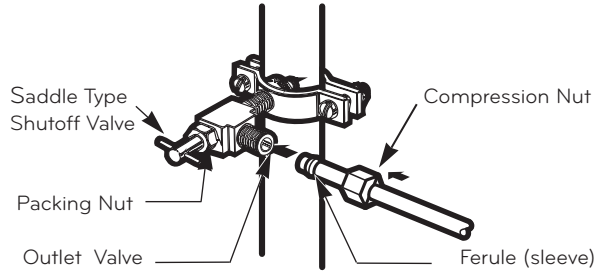
### 6. PLACE THE PIPELINE

Place the pipeline between the cold water pipe and the refrigerator. Place it through a hole in the wall or floor (behind the refrigerator or next to the cabinet) as close to the wall as possible.

**NOTE:** Make sure there is a sufficient amount of extra pipeline (8 feet [244 mm] coiled up three times with a 10" [25 cm] in diameter) to allow free movement of the refrigerator from the wall after installation was made.

### 7. CONNECT PIPELINE TO VALVE

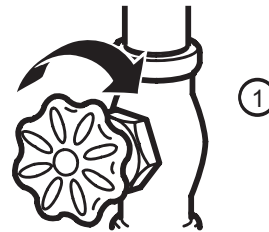
Place the compression nut and the copper pipe ferule at the end of the pipe and connect to the valve. Make sure the pipe is completely inserted into the valve. Tighten nut carefully.



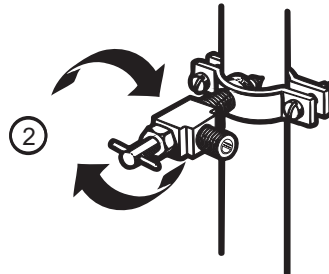
**NOTE:** Codes for 248 CMR pipelines of the state of Massachusetts must be attached to the connection. Valves of this type are banned in Massachusetts. Call an authorized plumber.

### 8. DRAIN THE PIPE

Open the main water source (1) and drain the pipe until water comes out clear.



Allow water flow from the bypass valve (2) and close after draining 1/4 of a gallon (1L) of water.



### 9. CONNECT PIPE TO REFRIGERATOR

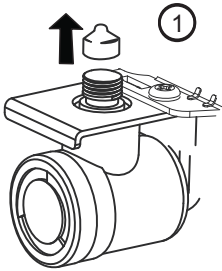
#### NOTES:

- Before making connection to refrigerator, make sure it is not connected to any energy source. If your refrigerator does not have a water filter, it is advised to install one.
- If your water source contains sand or related particles that can travel to the valve, install a water filter near the refrigerator.

**IMPORTANT:** Never use old or used hoses. Always use new ones to have a better use and experience. Connect always to a potable water source to avoid security and health issues.

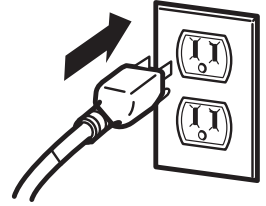
## CONNECTING THE WATER LINE

- Remove the ring plug (1) from the valve located at the top of such device.



### 11. CONNECT TO REFRIGERATOR

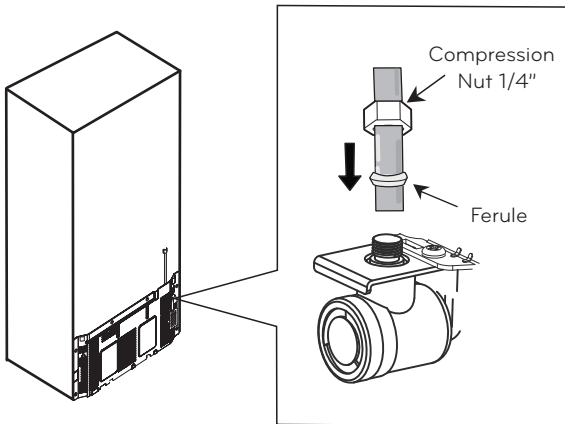
Fix pipeline in a way that it does not vibrate on the refrigerator or wall. Push refrigerator against wall.



### 12. TURN ICE MAKER ON

Turn ice maker switch into the **ON** position. Ice maker will start only after reaching its operating temperature of 15 °F (-9 °C) or less. It will automatically begin the ice production if switch is located in the **ON** position.

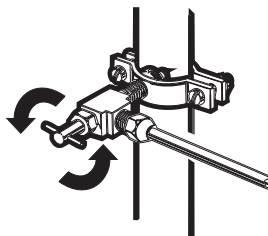
- Place compression nut and the ferule at the end of the pipeline. Insert pipeline into the connection valve as far as possible. Hold tightly while holding pipeline.



Hold on to the pipe from the handles or grabbers located behind the refrigerator, losing first the bolt holding the handle. Afterwards, insert pipe into the hole and tighten bolt to finalize.

### 10. OPEN THE BYPASS VALVE

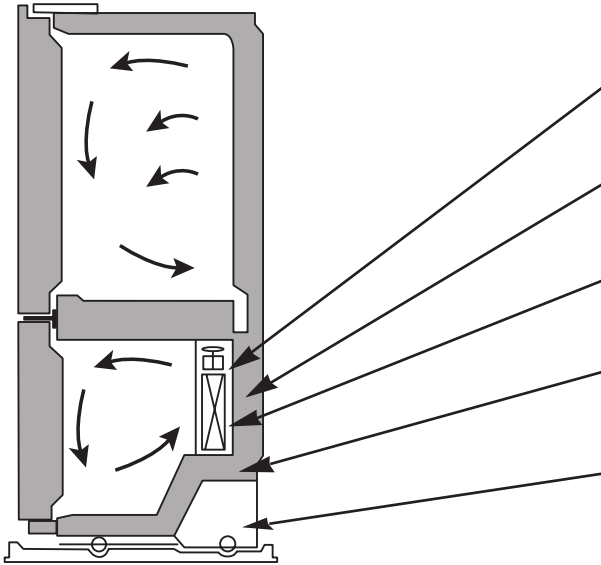
Tighten all connections containing leaks. Place access cover back on compressor.



# TROUBLESHOOTING GUIDE

## UNDERSTANDING SOUNDS YOU MAY HEAR

Your new refrigerator might produce certain noises that your previous refrigerator did not. It is normal if you worry. Most of the new sounds you will be hearing are actually normal and expected. Hard surfaces like walls or floor can increase sounds and make them sound louder than they really are. The following list has a description of such sounds along with their causes.



- Your refrigerator is designed to work efficiently to preserve your food at the desired temperature using the least of energy. You will be able to hear a pulsing sound coming from the ventilators and the evaporator. The speed of the ventilator can speed up when you open the refrigerator door.
- After each cycle you will hear a dripping sound due to the refrigerant liquid in your refrigerator.
- Contraction and expansion of the inner walls can cause a slight popping sound.
- You will hear a dripping sound caused during the thawing cycle.
- During the defrosting cycle the water might cause a dripping sound.
- You can hear some tight air sound over the capacitor caused by the fan.
- Running water can be heard during the defrosting cycle.
- Due to its low energy consumption design of the refrigerator; the fans will remain off, while the on-off switch activated the internal light of bin.
- The thawing timer will make a "click" sound when such timer will start and finish. Temperature controlling device will also make a "click" sound at the beginning and ending of the refrigerator cycle.
- You will hear a bell sound caused by the flow of the refrigerant, water pipe or objects located on the superior part of the refrigerator.

Problem	Possible Causes	Solutions
<b>THE REFRIGERATOR WON'T TURN ON</b>	<ul style="list-style-type: none"> <li>• The plug is correctly positioned.</li> <li>• A fuse has gone bad or the circuit presents failures.</li> <li>• The refrigerator is in the defrosting cycle.</li> </ul>	<ul style="list-style-type: none"> <li>• Firmly plug the cord into a live outlet with proper voltage.</li> <li>• Replace the fuse or reset the circuit breaker.</li> <li>• Wait about 30 minutes for defrost cycle to end.</li> </ul>
<b>THE LIGHT WON'T TURN ON</b>	<ul style="list-style-type: none"> <li>• Interior lights have malfunctioned.</li> </ul>	<ul style="list-style-type: none"> <li>• Interior lights are LED lighting, and repair service must be performed by a qualified technician.</li> </ul>

## TROUBLESHOOTING GUIDE

Problem	Possible Causes	Solutions
<b>STRANGE SOUNDS OR SNOOZING/ VIBRATIONS</b>	<ul style="list-style-type: none"> <li>The refrigerator is not correctly positioned.</li> </ul>	<ul style="list-style-type: none"> <li>You need to adjust the leveling screws due the floor is unlevelled or weak. Read the <b>Installation</b> section.</li> </ul>
<b>IT LOOKS LIKE THE COMPRESSOR MOTOR STAYS ON TOO LONG</b>	<ul style="list-style-type: none"> <li>The replaced refrigerator was an older model.</li> <li>The room temperature is hotter than usual.</li> <li>The door is being opened very often or there has been a big amount of food in storage.</li> <li>The refrigerator is plugged and the control has been adjusted correctly.</li> <li>Doors won't close correctly.</li> <li>The condenser pipes are dirty.</li> </ul>	<ul style="list-style-type: none"> <li>Modern refrigerators with a bigger storage capacity require longer periods of operation.</li> <li>The motor will continue working when the room temperature is high. The motor might be on between 40% or 80% of the time. In high temperature conditions, the capacitor might run on periods of time.</li> <li>When adding or opening the door of the refrigerator, it warms it up. It's normal that the refrigerator to run more that usual in order to cool the bins. (Read the section <b>Food Storage Guide</b>). To save energy, take what you need at once, order your food in order so it can be easily found and close the door immediately soon after you took out the food.</li> <li>The refrigerator will take 24 hours to cool down completely.</li> <li>Push firmly the Doors. If they don't close. Read <b>Doors will not close completely</b> below.</li> <li>This will stop the air transfer and marked the motor to work longer and harder. Clean the pipes of the condenser.</li> </ul>
<b>DOORS WILL NOT CLOSE COMPLETELY</b>	<ul style="list-style-type: none"> <li>The refrigerator is not leveled.</li> <li>The food packages are blocking the doors.</li> <li>The ice bin, the vegetable bin, the panels and the shelves from the door are out of place or position.</li> <li>The gaskets are sticking.</li> <li>The refrigerator wobbles or looks instable.</li> <li>The doors were removed during the installation and they weren't properly setup.</li> </ul>	<ul style="list-style-type: none"> <li>Read <b>Refrigerator Installation</b> section to level refrigerator.</li> <li>Adjust the food bins in order to free space between the doors and the shelves.</li> <li>Push the containers and place the vegetable cover lid, the panels, shelves and any other container or bin in their right positions. Read the section <b>Using your Refrigerator</b>.</li> <li>Clean the seal rings and the surface they might be in contact with. Use a piece of cloth with a small amount of paraffin and apply it over the seal rings.</li> <li>Level the refrigerator. Read the section <b>Closing and Aligning the Doors</b>.</li> <li>Remove and place again the door according to the section <b>Refrigerator Doors: How to remove and reverse</b>.</li> </ul>
<b>THERE'S ICE ON THE FOOD</b>	<ul style="list-style-type: none"> <li>The door hasn't been closed completely.</li> <li>The door is frequently opened.</li> </ul>	<ul style="list-style-type: none"> <li>Read <b>Doors Will not Close Completely</b> already mentioned.</li> <li>When the door is opened, warm, humid air is allowed in the freezer resulting in frost.</li> </ul>
<b>THERE IS A WEIRD TASTE AND SMELL IN THE ICE</b>	<ul style="list-style-type: none"> <li>The ice maker has been installed correctly.</li> <li>The ice has been on storage too long.</li> <li>The food hasn't been packed in the correct way.</li> <li>The water supply contains mineral and sulfur.</li> <li>The inside of the refrigerator need cleaning.</li> <li>The ice bin needs cleaning.</li> </ul>	<ul style="list-style-type: none"> <li>Don't use the first ices made.</li> <li>Dispose of that old ice and make new.</li> <li>Pack again the food because it can transfer odors and tastes to the ice.</li> <li>You might need to install a filter in order to eliminate the odors and taste problems.</li> <li>Read the section <b>Refrigerator Care and Cleaning</b>.</li> <li>Empty the bin and discard the old ice cubes.</li> </ul>

## TROUBLESHOOTING GUIDE

Problem	Possible Causes	Solutions
<b>THERE'S WATER IN THE DRAINING BIN</b>	<ul style="list-style-type: none"> <li>The refrigerator is in defrosting cycle.</li> <li>It's more humid than usual.</li> </ul>	<ul style="list-style-type: none"> <li>The water will evaporate. It is normal that some water falls on the bin.</li> <li>It might take a while for the water to evaporate. This is normal when the weather is hot and humid.</li> </ul>
<b>THE REFRIGERATOR SEEMS TO MAKE TOO MUCH NOISE</b>	<ul style="list-style-type: none"> <li>The sounds may be normal for your refrigerator.</li> </ul>	<ul style="list-style-type: none"> <li>Refer to the <b>Understanding Sounds You May Hear</b> section.</li> </ul>
<b>THE ICE MAKER IS NOT PRODUCING ICE OR ICE CUBES ARE FREEZING TOO SLOWLY</b>	<ul style="list-style-type: none"> <li>Door left open.</li> </ul>	<ul style="list-style-type: none"> <li>Wait 24 hours after hook-up for ice production. See the <b>Adjusting the Controls</b> section.</li> <li>Check to see if something is holding the door open.</li> </ul>
<b>THE DOORS ARE HARD TO OPEN</b>	<ul style="list-style-type: none"> <li>The gaskets are dirty or sticky.</li> <li>The door opens itself as soon as you close it.</li> </ul>	<ul style="list-style-type: none"> <li>Clean the gaskets and surface that they are in contact with. Use a damp cloth with paraffin also apply over the seal rings.</li> <li>When you open the door, the warm air enters in the refrigerator. When this air is cooled down it occupies less volume and creates a vacuum effect. If it is difficult to open wait 5 minutes then check.</li> </ul>
<b>THE ICE MAKER DOES NOT WORK</b>	<ul style="list-style-type: none"> <li>The ice maker is off.</li> <li>The water supply is down or not plugged.</li> <li>The freezer temperature is warm.</li> <li>The ice cubes turn off the ice maker.</li> </ul>	<ul style="list-style-type: none"> <li>Turn the ice maker to the position on (I).</li> <li>Read the section <b>Connecting the Water Line</b>.</li> <li>Wait 24 hrs for the freezer to reach its ideal temperature.</li> <li>Hand level the ice cubes.</li> </ul>
<b>THE TEMPERATURE IS TOO HOT OR THERE'S HUMIDITY FORMED INSIDE THE REFRIGERATOR</b>	<ul style="list-style-type: none"> <li>The air vents are blocked. The cool air flows from freezer to the refrigerator and returns thru the vents that dive this section.</li> <li>The doors open very easily.</li> <li>The refrigerator control has not been adjusted for the room conditions.</li> <li>A large amount of food is just been placed inside the refrigerator.</li> <li>The food has not been well packed in each bin.</li> <li>The doors haven't been closed correctly.</li> <li>The weather is humid.</li> <li>The auto-defrosting cycle is over.</li> </ul>	<ul style="list-style-type: none"> <li>With your hand find the vents and move and package that might be blocking the air flow. See the <b>Multi Flow</b> Section.</li> <li>When the doors are opened the warm and humid air enters. To keep your refrigerator cool, take what you need once and you're your food organized to make it easy to find. Close the door a soon as you can.</li> <li>Wait 24 hours to stabilize the temperature. If the temperature is cold or hot, move the control until the desire temperature is reached.</li> <li>After adding food to the refrigerator this will warm up. It might take some hours for the refrigerator to reach its temperature.</li> <li>Wrap the food evenly and before packing anything dry all the bins to avoid humidity. If it is necessary, pack the food according to the section <b>Food Storage Guide</b>.</li> <li>Read <b>Doors will not Close Correctly</b> section.</li> <li>In humid weathers, the air contains humidity, which introduces it self if the doors are opened.</li> <li>It's normal that some water props get formed after the defrosting cycle is completed.</li> </ul>



## SMART DIAGNOSIS™ (In some models).

Should you experience any problems with your refrigerator, it has the capability of transmitting data via your telephone to the LG service center. This gives you the capability of speaking directly to our trained specialists. The specialist records the data transmitted from your machine and uses it to analyze the issue, providing a fast and effective diagnosis.

If you experience problems with your refrigerator, call to the LG service center. Only use the Smart Diagnosis™ feature when instructed to do so by the LG call center agent. The transmission sounds that you will hear are normal and sound similar to a fax machine.

Smart Diagnosis™ cannot be activated unless your refrigerator is connected to power. If your refrigerator is unable to turn on, then troubleshooting must be done without using Smart Diagnosis.™

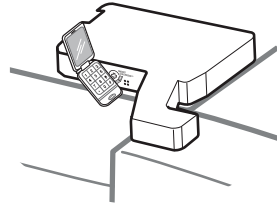
### Using Smart Diagnosis™

First, call to the LG service center. Only use the Smart Diagnosis™ feature when instructed to do so by the LG call center agent.

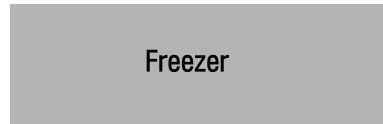
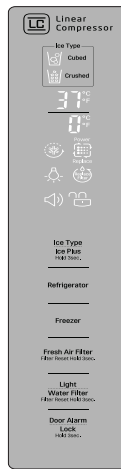
1. Lock the display. To lock the display, press and hold the **Door / Alarm Lock** button for three seconds. (If the display has been locked for over five minutes, you must deactivate the lock and then reactivate it).



2. Open the right refrigerator door.
3. Hold the mouthpiece of your phone in front of the speaker that is located on the right hinge of the refrigerator door, when instructed to do so by the call center agent.



4. Press and hold the Freezer Temperature button for three seconds while continuing to hold your phone to the speaker.



5. After you hear three beeps, release the Freezer Temperature button.
6. Keep the phone in place until the tone transmission has finished. This takes about 15 seconds, and the display will count down the time. Once the countdown is over and the tones have stopped, resume your conversation with the specialist, who will then be able to assist you in using the information transmitted for analysis.

### NOTE

- For best results, do not move the phone while the tones are being transmitted.
- If the call center agent is not able to get an accurate recording of the data, you may be asked to try again.

# LIMITED WARRANTY

LG ELECTRONICS U.S.A., INC.  
LG REFRIGERATOR LIMITED WARRANTY - U.S.A.

**ARBITRATION NOTICE: THIS LIMITED WARRANTY CONTAINS AN ARBITRATION PROVISION THAT REQUIRES YOU AND LG TO RESOLVE DISPUTES BY BINDING ARBITRATION INSTEAD OF IN COURT, UNLESS YOU CHOOSE TO OPT OUT. IN ARBITRATION, CLASS ACTIONS AND JURY TRIALS ARE NOT PERMITTED. PLEASE SEE THE SECTION TITLED "PROCEDURE FOR RESOLVING DISPUTES" BELOW. Should your LG Refrigerator ("Product") fail due to a defect in materials or workmanship under normal and proper use, during the warranty period set forth below, LG Electronics ("LG") will, at its option, repair or replace the Product. This limited warranty is valid only to the original retail purchaser of the Product and applies only when purchased and used within the United States including U.S. Territories.**

WARRANTY PERIOD			
Refrigerator/Freezer	Sealed System (Condenser, Dryer, Connecting Tube and Evaporator)	Compressor	
One (1) year from the date of original retail purchase	Five (5) years from the date of original retail purchase	Five (5) years from the date of original retail purchase	Linear / Inverter Compressor Only : Parts Only for years 6-10 from the date of original retail purchase (Consumer will be charged for labor)
Parts and Labor (internal/ functional parts only)	Parts and Labor	Parts and Labor	

- Replacement products and parts are warranted for the remaining portion of the original warranty period or ninety (90) days, whichever is greater.
- Replacement products and parts may be new, reconditioned, refurbished, or otherwise factory remanufactured.
- Proof of original retail purchase specifying the Product model and date of purchase is required to obtain warranty service under this limited warranty.

**EXCEPT TO THE EXTENT PROHIBITED BY APPLICABLE LAW, ANY IMPLIED WARRANTY OF MERCHANTABILITY OR FITNESS FOR A PARTICULAR PURPOSE ON THE PRODUCT IS LIMITED IN DURATION TO THE DURATION OF THE ABOVE LIMITED WARRANTY. UNDER NO CIRCUMSTANCES SHALL LG OR ITS U.S. DISTRIBUTORS/DEALERS BE LIABLE FOR ANY INDIRECT, INCIDENTAL, CONSEQUENTIAL, SPECIAL, OR PUNITIVE DAMAGES, INCLUDING, WITHOUT LIMITATION, LOST GOODWILL, LOST REVENUES OR PROFITS, WORK STOPPAGE, IMPAIRMENT OF OTHER GOODS, COST OF REMOVAL AND REINSTALLATION OF THE PRODUCT, LOSS OF USE, OR ANY OTHER DAMAGES WHETHER BASED IN CONTRACT, TORT, OR OTHERWISE. LG'S TOTAL LIABILITY, IF ANY, SHALL NOT EXCEED THE PURCHASE PRICE PAID BY YOU FOR THE PRODUCT.**

Some states do not allow the exclusion or limitation of incidental or consequential damages or limitations on how long an implied warranty lasts, so the above exclusions or limitations may not apply to you. This limited warranty gives you specific legal rights and you may also have other rights that vary from state to state.

**THIS LIMITED WARRANTY DOES NOT COVER:**

- Service trips to deliver, pick up, or install, educate how to operate, correct wiring, or correct unauthorized repairs.
- Damage or failure of the Product to perform during power failures and interrupted or inadequate electrical service.
- Damage or failure caused by leaky or broken water pipes, frozen water pipes, restricted drain lines, inadequate or interrupted water supply or inadequate supply of air.
- Damage resulting from operating the product in a corrosive atmosphere or contrary to the product owner's manual.
- Damage or failure to the Product caused by accidents, pests and vermin, lightning, wind, fire, floods, acts of God, or any other causes beyond the control of LG.
- Damage or failure caused by unauthorized modification or alteration, or if used for other the intended purpose.
- Damage or failure resulting from misuse, abuse, improper installation, repair, or maintenance. Improper repair includes use of parts not authorized by LG. Improper installation or maintenance includes installation or maintenance contrary to the Product owner's manual.
- Damage or failure caused by incorrect electrical current, voltage, or plumbing codes.
- Damage or failure caused by transportation and handling, including scratches, dents, chips, and/or other damage to the finish of the product, unless such damage is reported within one (1) week of delivery.
- Damage or missing items to any display, open box, or discounted Product.
- Refurbished Product or any Product sold "As Is", "Where Is", "With all Faults", or similar disclaimer.
- Products with original serial numbers that have been removed, altered, or cannot be readily determined.
- Increases in utility costs and additional utility expenses.
- Any noises associated with normal operation.
- Use of accessories (e.g., water filters, etc.), components, or consumable cleaning products that are not authorized by LG.
- Replacement or light bulbs, filters, or any consumable parts.
- When Product is used for other than normal and proper household use (e.g. commercial or industrial use, offices, and recreational facilities or vehicles) or contrary to the instructions outlined in the Product's owner's manual.
- Costs associated with removal and reinstallation of your Product for repairs.
- Shelves, door bins, drawers, handle and accessories, except for internal/functional parts covered under this limited warranty.

**The cost of repair or replacement under these excluded circumstances shall be borne by the consumer.**

TO OBTAIN WARRANTY SERVICE AND ADDITIONAL INFORMATION Call 1-800-243-0000 and select the appropriate option from the menu or visit our website at <http://www.lg.com> or by mail: LG Electronics Customer Service P.O. Box 240007 Huntsville, AL 35813 ATTN: CIC

# LIMITED WARRANTY

## PROCEDURE FOR RESOLVING DISPUTES:

ALL DISPUTES BETWEEN YOU AND LG ARISING OUT OF OR RELATING IN ANY WAY TO THIS LIMITED WARRANTY OR THE PRODUCT SHALL BE RESOLVED EXCLUSIVELY THROUGH BINDING ARBITRATION, AND NOT IN A COURT OF GENERAL JURISDICTION. BINDING ARBITRATION MEANS THAT YOU AND LG ARE EACH WAIVING THE RIGHT TO A JURY TRIAL AND TO BRING OR PARTICIPATE IN A CLASS ACTION.

**Definitions.** For the purposes of this section, references to "LG" mean LG Electronics U.S.A., Inc., its parents, subsidiaries and affiliates, and each of their officers, directors, employees, agents, beneficiaries, predecessors in interest, successors, assigns and suppliers; references to "dispute" or "claim" shall include any dispute, claim or controversy of any kind whatsoever (whether based in contract, tort, statute, regulation, ordinance, fraud, misrepresentation or any other legal or equitable theory) arising out of or relating in any way to the sale, condition or performance of the product or this Limited Warranty.

**Notice of Dispute.** In the event you intend to commence an arbitration proceeding, you must first notify LG in writing at least 30 days in advance of initiating the arbitration by sending a letter to LG at LG Electronics, USA, Inc. Attn: Legal Department-Arbitration 1000 Sylvan Ave, Englewood Cliffs 07632. You and LG agree to engage in good faith discussions in an attempt to amicably resolve your claim. The notice must provide your name, address, and telephone number; identify the product that is the subject of the claim; and describe the nature of the claim and the relief being sought. If you and LG are unable to resolve the dispute within 30 days, either party may proceed to file a claim for arbitration.

**Agreement to Binding Arbitration and Class Action Waiver.** Upon failure to resolve the dispute during the 30 day period after sending written notice to LG, you and LG agree to resolve any claims between us only by binding arbitration on an individual basis, unless you opt out as provided below. Any dispute between you and LG shall not be combined or consolidated with a dispute involving any other person's or entity's product or claim. More specifically, without limitation of the foregoing, any dispute between you and LG shall not under any circumstances proceed as part of a class or representative action. Instead of arbitration, either party may bring an individual action in small claims court, but that small claims court action may not be brought on a class or representative basis.

**Arbitration Rules and Procedures.** To begin arbitration of a claim, either you or LG must make a written demand for arbitration. The arbitration will be administered by the American Arbitration Association ("AAA") and will be conducted before a single arbitrator under the AAA's Consumer Arbitration Rules that are in effect at the time the arbitration is initiated (referred to as the "AAA Rules") and under the procedures set forth in this section. The AAA Rules are available online at [www.adr.org/consumer](http://www.adr.org/consumer). Send a copy of your written demand for arbitration, as well as a copy of this provision, to the AAA in the manner described in the AAA Rules. You must also send a copy of your written demand to LG at LG Electronics, USA, Inc. Attn: Legal Department- Arbitration 1000 Sylvan Avenue Englewood Cliffs, NJ 07632. If there is a conflict between the AAA Rules and the rules set forth in this section, the rules set forth in this section will govern. This arbitration provision is governed by the Federal Arbitration Act. Judgment may be entered on the arbitrator's award in any court of competent jurisdiction. All issues are for the arbitrator to decide, except that issues relating to the scope and enforceability of the arbitration provision and to the arbitrability of the dispute are for the court to decide. The arbitrator is bound by the terms of this provision.

**Governing Law.** The law of the state of your residence shall govern this Limited Warranty and any disputes between us except to the extent that such law is preempted by or inconsistent with applicable federal law.

**Fees/Costs.** You do not need to pay any fee to begin an arbitration. Upon receipt of your written demand for AAA unless you seek more than \$25,000 in damages, in which case the payment of these fees will be governed by the AAA Rules. Except as otherwise provided for herein, LG will pay AAA filing, administration and arbitrator fees for any arbitration initiated in accordance with the AAA Rules and this arbitration provision. If you prevail in the arbitration, LG will pay your attorneys' fees and expenses as long as they are reasonable, by considering factors including, but not limited to, the purchase amount and claim amount. Notwithstanding the foregoing, if applicable law allows for an award of reasonable attorneys' fees and expenses, an arbitrator can award them to the same extent that a court would. If the arbitrator finds either the substance of your claim or the relief sought in the demand is frivolous or brought for an improper purpose (as measured by the standards set forth in Federal Rule of Civil Procedure 11(b)), then the payment of all arbitration fees will be governed by the AAA Rules. In such a situation, you agree to reimburse LG for all monies previously disbursed by it that are otherwise your obligation to pay under the AAA Rules. Except as otherwise provided for, LG waives any rights it may have to seek attorneys' fees and expenses from you if LG prevails in the arbitration.

**Hearings and Location.** If your claim is for \$25,000 or less, you may choose to have the arbitration conducted solely on the basis of (1) documents submitted to the arbitrator, (2) through a telephonic hearing, or (3) by an in-person hearing as established by the AAA Rules. If your claim exceeds \$25,000, the right to a hearing will be determined by the AAA Rules. Any in-person arbitration hearings will be held at a location within the federal judicial district in which you reside unless we both agree to another location or we agree to a telephonic arbitration.

**Opt Out.** You may opt out of this dispute resolution procedure. If you opt out, neither you nor LG can require the other to participate in an arbitration proceeding. To opt out, you must send notice to LG no later than 30 calendar days from the date of the first consumer purchaser's purchase of the product by either: (i) sending an e-mail to [optout@lge.com](mailto:optout@lge.com), with the subject line: "Arbitration Opt Out" or (ii) calling 1-800-980-2973. You must include in the opt out e-mail or provide by telephone: (a) your name and address; (b) the date on which the product was purchased; (c) the product model name or model number; and (d) the serial number (the serial number can be found (i) on the product; or (ii) online by accessing <https://www.lg.com/us/support/repair-service/schedule-repair-continued> and clicking on "Find My Model & Serial Number").

You may only opt out of the dispute resolution procedure in the manner described above (that is, by e-mail or telephone); no other form of notice will be effective to opt out of this dispute resolution procedure. Opting out of this dispute resolution procedure will not affect the coverage of the Limited Warranty in any way, and you will continue to enjoy the full benefits of the Limited Warranty. If you keep this product and do not opt out, then you accept all terms and conditions of the arbitration provision described above.

# LIMITED WARRANTY

## LG ELECTRONICS CANADA, INC. LG REFRIGERATOR LIMITED WARRANTY - Canada

**ARBITRATION NOTICE: THIS LIMITED WARRANTY CONTAINS AN ARBITRATION PROVISION THAT REQUIRES YOU AND LG TO RESOLVE DISPUTES BY BINDING ARBITRATION INSTEAD OF IN COURT, UNLESS THE LAWS OF YOUR PROVINCE OR TERRITORY DO NOT PERMIT THAT, OR, IN OTHER JURISDICTIONS, IF YOU CHOOSE TO OPT OUT. IN ARBITRATION, CLASS ACTIONS AND JURY TRIALS ARE NOT PERMITTED. PLEASE SEE THE SECTION TITLED "PROCEDURE FOR RESOLVING DISPUTES" BELOW.**

Should your LG Refrigerator ("Product") fail due to a defect in materials or workmanship under normal and proper use, during the warranty period set forth below, LG Electronics Canada, Inc. ("LGECI") will, at its option, repair or replace the Product upon receipt of proof of the original retail purchase. This limited warranty is valid only to the original retail purchaser of the Product and applies only to a Product distributed, purchased and used within Canada, as determined at the sole discretion of LGECI.

<b>WARRANTY PERIOD (Note: If the original date of purchase cannot be verified, the warranty will begin sixty (60) days from the date of manufacture)</b>			
<b>Refrigerator</b>	<b>Sealed System (Condenser, Dryer, Connecting Tube and Evaporator)</b>		<b>Linear / Inverter Compressor</b>
<b>One (1) year from the date of original retail purchase</b>	<b>One (1) year from the date of original retail purchase</b>	<b>Seven (7) years from the date of original retail purchase</b>	<b>Ten (10) years from the date of original retail purchase</b>
Parts and Labor (internal/functional parts only)	Parts and Labor	Parts only (Consumer will be charged for labor)	Part only (Consumer will be charged for labor)

- Replacement products and parts are warranted for the remaining portion of the original warranty period or ninety (90) days, whichever is greater.
- Replacement products and parts may be new, reconditioned, refurbished, or otherwise factory remanufactured, all at the sole discretion of LGECI.
- Proof of original retail purchase specifying the Product model and date of purchase is required to obtain warranty service under this Limited Warranty..

**LGECI'S SOLE LIABILITY IS LIMITED TO THE LIMITED WARRANTY SET OUT ABOVE. EXCEPT AS EXPRESSLY PROVIDED ABOVE, LGECI MAKES NO, AND HEREBY DISCLAIMS, ALL OTHER WARRANTIES AND CONDITIONS RESPECTING THE PRODUCT, WHETHER EXPRESS OR IMPLIED, INCLUDING BUT NOT LIMITED TO, ANY IMPLIED WARRANTY OR CONDITION OF MERCHANTABILITY OR FITNESS FOR A PARTICULAR PURPOSE, AND NO REPRESENTATIONS SHALL BE BINDING ON LGECI. LGECI DOES NOT AUTHORIZE ANY PERSON TO CREATE OR ASSUME FOR IT ANY OTHER WARRANTY OBLIGATION OR LIABILITY IN CONNECTION WITH THE PRODUCT. TO THE EXTENT THAT ANY WARRANTY OR CONDITION IS IMPLIED BY LAW, IT IS LIMITED TO THE WARRANTY PERIOD SET OUT ABOVE. UNDER NO CIRCUMSTANCES SHALL LGECI, THE MANUFACTURER OR DISTRIBUTOR OF THE PRODUCT, BE LIABLE FOR ANY INCIDENTAL, CONSEQUENTIAL, SPECIAL, DIRECT, INDIRECT, PUNITIVE OR EXEMPLARY DAMAGES, INCLUDING, WITHOUT LIMITATION, LOSS OF GOODWILL, LOST PROFITS, LOSS OF ANTICIPATED PROFITS, LOST REVENUE, LOSS OF USE, OR ANY OTHER DAMAGE, WHETHER ARISING DIRECTLY OR INDIRECTLY FROM ANY CONTRACTUAL BREACH, FUNDAMENTAL BREACH, TORT OR OTHERWISE, OR FROM ANY ACTS OR OMISSIONS. LGECI'S TOTAL LIABILITY, IF ANY, SHALL NOT EXCEED THE PURCHASE PRICE PAID BY YOU FOR THE PRODUCT.**

This Limited Warranty gives you specific legal rights. You may also have other rights that vary from province to province depending on applicable provincial laws. Any term of this Limited Warranty that negates or varies any implied condition or warranty under provincial law is severable where it conflicts with such provincial law without affecting the remainder of this warranty's terms.

**THIS LIMITED WARRANTY DOES NOT COVER:**

- Service trips to i) deliver, pick up, or install or; educate on how to operate the Product; ii) correct wiring or plumbing; or iii) correct unauthorized repairs or installations of the Product;
- Damage or failure of the Product to perform during power failures and interrupted or inadequate electrical service;
- Damage or failure caused by leaky or broken water pipes, frozen water pipes, restricted drain lines, inadequate or interrupted water supply or inadequate supply of air;
- Damage or failure resulting from operating the Product in a corrosive atmosphere or contrary to the instructions outlined in the Product's owner's manual;
- Damage or failure to the Product caused by accidents, pests and vermin, lightning, wind, fire, floods, acts of God, or any other causes beyond the control of LGECI or the manufacturer;
- Damage or failure resulting from misuse, abuse, improper installation, repair, or maintenance of the Product. Improper repair includes use of parts not authorized or specified by LGECI. Improper installation or maintenance includes installation or maintenance contrary to the Product's owner's manual.
- Damage or failure caused by unauthorized modification or alteration of the Product, or if used for other than the intended household purpose/use of the Product, or damage or failure resulting from any water leakage due to improper installation of the Product;
- Damage or failure caused by incorrect electrical current, voltage or plumbing codes;
- Damage or failure caused by use that is other than normal household use, including, without limitation, commercial or industrial use, including use in commercial offices or recreational facilities, or as otherwise outlined in the Product's owner's manual;
- Damage or failure caused by the use of any accessories, components or cleaning products, including, without limitation, water filters, that are not approved/authorized by LGECI;
- Replacement of the water filter cartridge due to water pressure that is outside the specified operating range or due to excessive sediment in the water supply;
- Damage or failure caused by transportation and handling, including scratches, dents, chips and/or other damage to the finish of the Product, **unless** such damage results from defects in materials or workmanship and is reported to LGECI within one (1) week of delivery of the Products;
- Damage or missing items to any display, open box, refurbished or discounted Product;
- Refurbished Product or any Product sold "As Is", "Where Is", "With all Faults", or any similar disclaimer;
- Products with original serial numbers that have been removed, altered or cannot be readily determined at the discretion of LGECI;
- Increases in utility costs and additional utility expenses in any way associated with the Product;

## LIMITED WARRANTY

- Any noises associated with normal operation of the Product;
  - Replacement of light bulbs, filters, fuses or any other consumable parts;
  - Replacement of any part that was not originally included with the Product;
  - Costs associated with removal and/or reinstallation of the Product for repairs; and
  - Shelves, door bins, drawers, handle and accessories to the Product, except for internal/functional parts covered under this Limited Warranty.
- Coverage for "in Home" repairs, for products in-warranty, will be provided if the Product is within a 150 km radius from the nearest authorized service center (ASC), as determined by LG Canada. If your Product is located outside a 150 km radius from a ASC, as determined by LG Canada, it will be your responsibility to bring the Product, at your sole expense, to the ASC for in-warranty repair.

**All costs and expenses associated with the above excluded circumstances, listed under the heading, This Limited Warranty Does Not Cover, shall be borne by the consumer.** TO OBTAIN WARRANTY SERVICE AND ADDITIONAL INFORMATION, PLEASE CALL OR VISIT OUR WEBSITE: Call 1-888-542-2623 (7 A.M. to 12 A.M., 365 days a year) and select the appropriate option from the menu, or. Visit our website at <http://www.lg.com>

### PROCEDURE FOR RESOLVING DISPUTES:

EXCEPT WHERE PROHIBITED AT LAW, ALL DISPUTES BETWEEN YOU AND LG ARISING OUT OF OR RELATING IN ANY WAY TO THIS LIMITED WARRANTY OR THE PRODUCT SHALL BE RESOLVED EXCLUSIVELY THROUGH BINDING ARBITRATION, AND NOT IN A COURT OF GENERAL JURISDICTION. EXCEPT WHERE PROHIBITED AT LAW, YOU AND LG BOTH IRREVOCABLY AGREE TO WAIVE THE RIGHT TO A JURY TRIAL AND TO BRING OR PARTICIPATE IN A CLASS ACTION.

**Definitions.** For the purposes of this section, references to "LG" mean LG Electronics Canada, Inc., its parents, subsidiaries and affiliates, and each of their officers, directors, employees, agents, beneficiaries, predecessors in interest, successors, assigns and suppliers; references to "dispute" or "claim" shall include any dispute, claim or controversy of any kind whatsoever (whether based in contract, tort, statute, regulation, ordinance, fraud, misrepresentation or any other legal or equitable theory) arising out of or relating in any way to the sale, condition or performance of the product or this Limited Warranty.

**Notice of Dispute.** In the event you intend to commence an arbitration proceeding, you must first notify LG in writing at least 30 days in advance of initiating the arbitration by sending a letter to LG Electronics, Canada, Inc., Attn: Legal Department-Arbitration, 20 Norelco Drive, North York, Ontario M9L 2X6. You and LG agree to engage in good faith discussions in an attempt to amicably resolve your claim. The notice must provide your name, address, and telephone number; identify the product that is the subject of the claim; and describe the nature of the claim and the relief being sought. If you and LG are unable to resolve the dispute within 30 days, either party may proceed to file a claim for arbitration.

**Agreement to Binding Arbitration and Class Action Waiver.** Upon failure to resolve the dispute during the 30 day period after sending written notice to LG, you and LG agree to resolve any claims between you and LG only by binding arbitration on an individual basis, unless you opt out as provided below, or you reside in a jurisdiction that prevents full application of this clause in the circumstances of the claims at issue (in which case if you are a consumer, this clause will only apply if you expressly agree to the arbitration). To the extent permitted by applicable law, any dispute between you and LG shall not be combined or consolidated with a dispute involving any other person's or entity's product or claim. More specifically, without limitation of the foregoing, except to the extent such a prohibition is not permitted at law, any dispute between you and LG shall not under any circumstances proceed as part of a class or representative action. Instead of arbitration, either party may bring an individual action in small claims court, but that small claims court action may not be brought on a class or representative basis except to the extent this prohibition is not permitted at law in your province or territory of jurisdiction as it relates to the claims at issue between you and LG.

**Arbitration Rules and Procedures.** To begin arbitration of a claim, either you or LG must make a written demand for arbitration. The arbitration will be private and confidential, and conducted on a simplified and expedited basis before a single arbitrator chosen by the parties under the provincial or territorial commercial arbitration law and rules of the province or territory of your residence. You must also send a copy of your written demand to LG at LG Electronics, Canada, Inc., Attn: Legal Department-Arbitration, 20 Norelco Drive, North York, Ontario M9L 2X6. This arbitration provision is governed by your applicable provincial or territorial commercial arbitration legislation. Judgment may be entered on the arbitrator's award in any court of competent jurisdiction. All issues are for the arbitrator to decide, except that, issues relating to the scope and enforceability of the arbitration provision and to the arbitrability of the dispute are for the court to decide. The arbitrator is bound by the terms of this provision.

**Governing Law.** The law of the province or territory of your residence shall govern this Limited Warranty and any disputes between you and LG except to the extent that such law is preempted by or inconsistent with applicable federal or provincial/territorial law. Should arbitration not be permitted for any claim, action, dispute or controversy between you and LG, you and LG attorn to the exclusive jurisdiction of the courts of the province or territory of your residence for the resolution of the claim, action, dispute or controversy between you and LG.

**Fees/Costs.** You do not need to pay any fee to begin an arbitration. Upon receipt of your written demand for arbitration, LG will promptly pay all arbitration filing fees unless you seek more than \$25,000 in damages, in which case the payment of these fees will be governed by the applicable arbitration rules. Except as otherwise provided for herein, LG will pay all filing, administration and arbitrator fees for any arbitration initiated in accordance with the applicable arbitration rules and this arbitration provision. If you prevail in the arbitration, LG will pay your attorneys' fees and expenses as long as they are reasonable, by considering factors including, but not limited to, the purchase amount and claim amount. Notwithstanding the foregoing, if applicable law allows for an award of reasonable attorneys' fees and expenses, an arbitrator can award them to the same extent that a court would. If the arbitrator finds either the substance of your claim or the relief sought in the demand is frivolous or brought for an improper purpose (as measured by the applicable laws), then the payment of all arbitration fees will be governed by the applicable arbitration rules. In such a situation, you agree to reimburse LG for all monies previously disbursed by it that are otherwise your obligation to pay under the applicable arbitration rules. Except as otherwise provided for, LG waives any rights it may have to seek attorneys' fees and expenses from you if LG prevails in the arbitration.

**Hearings and Location.** If your claim is for \$25,000 or less, you may choose to have the arbitration conducted solely (1) on the basis of documents submitted to the arbitrator, (2) through a telephonic hearing, or (3) by an in-person hearing as established

## LIMITED WARRANTY

by the applicable arbitration rules. If your claim exceeds \$25,000, the right to a hearing will be determined by the applicable arbitration rules. Any in-person arbitration hearings will be held at the nearest, most mutually-convenient arbitration location available within the province or territory in which you reside unless you and LG both agree to another location or agree to a telephonic arbitration.

**Severability and Waiver.** If any portion of this Limited Warranty (including these arbitration procedures) is unenforceable, the remaining provisions will continue in full force and effect to the maximum extent permitted by applicable law. Should LG fail to enforce strict performance of any provision of this Limited Warranty (including these arbitration procedures), it does not mean that LG intends to waive or has waived any provision or part of this Limited Warranty.

**Opt Out.** You may opt out of this dispute resolution procedure. If you opt out, neither you nor LG can require the other to participate in an arbitration proceeding. To opt out, you must send notice to LG no later than 30 calendar days from the date of the first consumer purchaser's purchase of the product by either (i) sending an e-mail to [optout@lge.com](mailto:optout@lge.com), with the subject line: "Arbitration Opt Out;" or (ii) calling 1-800-980-2973. You must include in the opt out e-mail or provide by telephone: (a) your name and address; (b) the date on which the product was purchased; (c) the product model name or model number; and (d) the serial number (the serial number can be found (i) on the product; or (ii) online by accessing [https://www.lg.com/ca\\_en/support/repair-service/schedule-repair](https://www.lg.com/ca_en/support/repair-service/schedule-repair) and clicking on "Find My Model & Serial Number").

In the event that you "Opt Out", the law of the province or territory of your residence shall govern this Limited Warranty and any disputes between you and LG except to the extent that such law is preempted by or inconsistent with applicable federal or provincial/territorial law. Should arbitration not be permitted for any claim, action, dispute or controversy between you and LG, you and LG agree to attorn to the exclusive jurisdiction of the courts of the province or territory of your residence for the resolution of the claim, action, dispute or controversy between you and LG. You may only opt out of the dispute resolution procedure in the manner described above (that is, by e-mail or telephone); no other form of notice will be effective to opt out of this dispute resolution procedure. Opting out of this dispute resolution procedure will not affect the coverage of the Limited Warranty in any way, and you will continue to enjoy the full benefits of the Limited Warranty. If you keep this product and do not opt out, then you accept all terms and conditions of the arbitration provision described above.

**Conflict of Terms.** In the event of a conflict or inconsistency between the terms of this Limited Warranty and the End User License Agreement ("EULA") in regards to dispute resolution, the terms of this Limited Warranty shall control and govern the rights and obligations of the parties and shall take precedence over the EULA.



# MANUAL DE USUARIO REFRIGERADOR CON CONGELADOR INFERIOR

Lea detenidamente este manual antes de empezar a utilizar el refrigerador y guárdelo como referencia para el futuro.



## TABLA DE CONTENIDO

<b>Versión Inglés</b>	<b>2</b>	<b>Cuidado de su Refrigerador</b>	<b>74-80</b>
<b>Versión Español</b>	<b>47</b>	Para limpiar su Refrigerador	74
		Exterior	74
		Interior	74
<b>Instrucciones importantes de seguridad</b>	<b>50-51</b>	Puertas y Empaques (Sellos)	74
Requerimientos de Conexión a Tierra	51	Partes Plásticas	74
<b>Partes y Características</b>	<b>52-53</b>	Cubierta Trasera	74
		Cómo cambiar las Bombillas	74
<b>Instalación del Refrigerador</b>	<b>54-61</b>	Interrupciones de Energía	75
Desempaque	54	Cuidado durante las Vacaciones	75
Instalación	54	Cuidados cuando Usted se muda	75
Cómo quitar y cambiar las manijas	55	Filtro de agua (Tipo 1)	76
Cómo quitar y cambiar las puertas del Refrigerador	56	Hoja de Datos del funcionamiento (Tipo 1)	78
Como retirar e instalar el Cajón Deslizable	59-60	Certificado para California	80
Cierre y Alineación de Puertas	61	<b>Cómo conectar la Tubería de agua.</b>	<b>81-83</b>
		<b>Guía de Solución de Problemas</b>	<b>84-87</b>
<b>Uso del Refrigerador</b>	<b>62-73</b>	<b>Sistema Smart Diagnosis</b>	<b>88</b>
Características del Panel de Control	62	<b>Garantía</b>	<b>89</b>
Pantalla de LED	63		
Cómo ajustar las temperaturas y la pantalla	64		
Cómo operar el dispensador	65		
Cómo configurar las funciones	66		
Sistema Spaceplus Ice	67		
Máquina Automática para hacer hielo	68		
Cómo regular los Ajustes de los Controles	69		
Guía para Almacenar Alimentos	69		
Para guardar Alimentos Congelados	70		
<b>Sección del Refrigerador</b>	<b>70-72</b>		
Parrillas del Refrigerador	70		
Control de Humedad en los Cajones	71		
Anaqueles de la Puerta	72		
Compartimento para Lácteos	72		
Bandeja de goteo del dispensador	72		
<b>Sección del Congelador</b>	<b>73</b>		
Recipiente para Hielos	73		
DuraBase	73		
Separador Durabase	73		

## ¡GRACIAS!

Felicitaciones por su compra y bienvenido a la familia de LG. Su nuevo refrigerador de doble puerta LG, combina la más avanzada tecnología de frío con un funcionamiento sencillo y un alto rendimiento. Siga las instrucciones de funcionamiento y cuidados de este manual y su refrigerador le proporcionará un servicio eficaz durante muchos años.

# INSTRUCCIONES IMPORTANTES DE SEGURIDAD

## MENSAJES DE SEGURIDAD

Hemos incluido muchos mensajes importantes de seguridad en este manual. Lea y obedezca siempre todos los mensajes de seguridad.



Este es el símbolo de advertencia de seguridad. Este símbolo le llama la atención sobre peligros potenciales que pueden ocasionar la muerte o una lesión a usted y a los demás, así como daños al producto. Todos los mensajes de seguridad irán a continuación del símbolo de advertencia de seguridad y de la palabra "PELIGRO", "PRECAUCIÓN" o "ADVERTENCIA". Estas palabras significan:

**▲ PELIGRO** Si no sigue las instrucciones de inmediato, usted puede morir o sufrir una lesión grave.

**▲ ADVERTENCIA** Si no sigue las instrucciones de inmediato, usted puede morir o sufrir una lesión grave.

**▲ PRECAUCIÓN** Si no sigue las instrucciones, usted puede morir o sufrir una lesión grave. Indica una situación de peligro inminente la cual, si no se evita, puede resultar en daños menores o daños al producto.

**▲ ADVERTENCIA:** Este producto contiene químicos que el Estado de California sabe que causan cáncer y defectos de nacimiento u otros daños reproductivos. Lávese las manos después de su uso.

Todos los mensajes de seguridad le dirán el peligro potencial, le dirán cómo reducir las posibilidades de sufrir una lesión y lo que puede suceder si no se siguen las instrucciones.

### ▲ ADVERTENCIA

**Para reducir el riesgo de fuego, choque eléctrico o lesiones a personas, se deben tomar las siguientes medidas de precaución:**

- NUNCA desconecte su refrigerador jalando del cable, siempre tome firmemente el enchufe y desconéctelo directamente de la fuente de poder. Repare o reemplace inmediatamente todos los cables de servicio que se han dañado. No use cables que tengan fracturas o daños por abrasión a lo largo del cable o en el enchufe.
- Cuando mueva su refrigerador, tenga cuidado de no pisar el cable de alimentación con los rodillos del aparato.
- **NO** almacene o use gasolina u otros combustibles (líquidos o vapores) en los alrededores de éste u otro electrodoméstico.
- **NO** permita que los niños suban, cuelguen o trepen las puertas o parrillas del refrigerador. Pueden lesionarse y dañar el producto.
- Mantenga sus dedos alejados de aquellas áreas en las que se pueden lesionar tales como las áreas de cierre de puertas, bisagras y estantes. Tenga cuidado al cerrar las puertas cuando los niños se encuentren cerca.
- Desenchufe el refrigerador antes de limpiarlo o hacer cualquier reparación. **NOTA:** Le recomendamos realizar cualquier clase de servicio con una persona calificada.
- Para su seguridad, este producto debe estar conectado a tierra de manera apropiada. Haga revisar su circuito de electricidad por un electricista calificado para asegurar una buena conexión a tierra.
- Si ya no es necesario el uso de esta unidad, pongase en contacto con las autoridades locales para deshacerse de este producto de una manera segura debido a que contiene ciclopentano o pentano como gas para el

aislamiento. Los gases de aislamiento requieren un proceso de eliminación especial. Este producto contiene aislamiento inflamable.

- Su refrigerador debe estar nivelado y en un piso firme.
- **NO** alargue o modifique el cable de alimentación
- No guarde botellas en el compartimento del congelador, ya que podrían estallar al congelarse y causar daños.
- Lea todas las instrucciones antes de utilizar el producto.
- Utilice el producto únicamente para el fin que se describe en esta guía.
- Una vez que el refrigerador se encuentra en operación, no toque con las manos mojadas las superficies frías del congelador, la piel puede adherirse a las superficies. En aquellos refrigeradores con fábrica automática de hielo, evite contacto con las partes móviles del mecanismo expulsor o con el mecanismo de calentamiento que libera los cubos, **NO** coloque sus dedos o manos en ellos cuando el refrigerador está conectado. El Ministerio de Agricultura de los EE.UU., Boletín N° 69 sobre Hogares y Jardines señala:
- **NO** vuelva a congelar los alimentos que hayan sido descongelados previamente.
- **NO** utilizar extensiones o adaptadores sin puesta a tierra.

**PRECAUCIÓN: (solo modelos R600a)** Riesgo de Fuego o Explosión (Refrigerante Inflamable), el refrigerador solamente debe ser reparado por personal de servicio calificado. No perforar la tubería de refrigeración. Consulte el manual de usuario antes de poner en servicio este producto. Deben seguirse al pie de la letra todas las precauciones de seguridad.

**ADVERTENCIA: (solo modelos R600a)** Este refrigerador contiene una pequeña cantidad de refrigerante isobutano (R600a), gas natural con una alta compatibilidad ambiental, también es combustible. Cuando la unidad sea transportada e instalada, tenga cuidado de asegurarse que ningún componente del circuito refrigerante esté dañado. Si el refrigerante fuga de la tubería puede encenderse o causar daños en los ojos. Si alguna fuga es detectada, evite el contacto con llamas o fuentes potenciales de incendio y mejore la ventilación del lugar donde se encuentra el refrigerador. En caso de detectar una fuga en el circuito del refrigerante y con el fin de evitar la creación de una mezcla de gas inflamable, el tamaño de la habitación del lugar donde el aparato está localizado debe depender de la cantidad de refrigerante usado. El lugar debe ser de 1m<sup>2</sup> por cada 8 gramos de refrigerante R600a que contenga el refrigerador. La cantidad de refrigerante usada en su refrigerador es mostrada en la etiqueta de especificación localizada en el interior. Nunca conecte el aparato si muestra algún signo de daño, si tiene alguna duda consulte a su centro de servicio.

**PRECAUCIÓN: (solo modelos R600a)** Riesgo de Incendio, tenga siempre en cuenta los siguientes puntos de precaución cuando mueva o repare el refrigerador ya que el refrigerante usado es un gas inflamable: • Evite el uso de cualquier llama o fuente de calor para acceder al sistema de sellado cuando la unidad esté siendo cargada con refrigerante. • En caso de alguna fuga de refrigerante, ventilar completamente el área de trabajo antes de comenzar a trabajar. • Tenga cuidado de **NO** dañar la tubería de refrigeración.

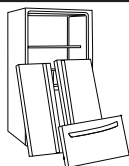
**GUARDE ESTAS INSTRUCCIONES**

## ⚠ PRECAUCIÓN

Este aparato no está destinado para su uso por las personas (incluidos niños) con capacidad física, sensorial o mental reducida, falta de experiencia y conocimientos, a menos que se les haya dado la supervisión o instrucción en relación con el uso del aparato por la persona responsable de su seguridad. Los niños deben ser supervisados para asegurar que no jueguen con el aparato.

## ⚠ PELIGRO: LOS NIÑOS PUEDEN QUEDAR ATRAPADOS

El quedar atrapado y asfixia en niños no es un problema del pasado. Los refrigeradores tirados y abandonados son un peligro, aún si van a quedar ahí "por unos cuantos días". Si Ud. está por deshacerse de su refrigerador viejo, por favor siga las siguientes instrucciones para prevenir accidentes.



### ANTES DE TIRAR SU REFRIGERADOR O CONGELADOR CUANDO YA NO SE USE:

- Saque las puertas
- Deje los estantes en su lugar, así los niños no pueden meterse en ellos con facilidad.

## ⚠ ADVERTENCIA

### Manténgase alejado de las gavetas móviles



- Los niños pequeños podrían ser golpeados y caer al suelo.
- Pueden dañarse los dedos de manos y pies.



### No se apoye ni se suba en la gavetas.

- El refrigerador podría volcar.



## CÓMO DESECHAR LOS CFC

Su refrigerador viejo tiene un sistema de refrigeración que utiliza CFC (clorofluorocarbonos). Los CFC afectan a la capa estratosférica de ozono.

Si Ud. tira su refrigerador viejo, asegúrese que el refrigerante CFC sea eliminado de la manera apropiada por personal calificado. Si Ud. libera intencionalmente el refrigerante con CFC puede estar sujeto a multas o prisión de acuerdo a las legislaciones ambientales vigentes.

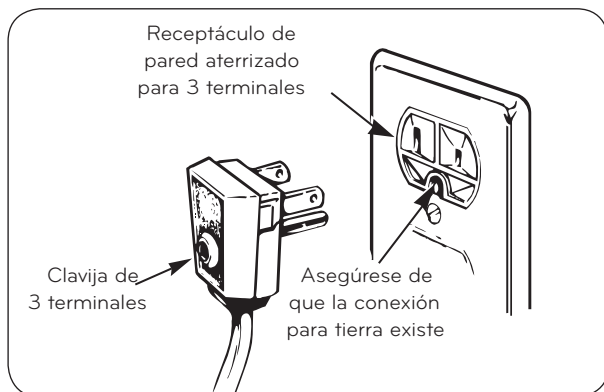
## REQUERIMIENTOS DE CONEXIÓN A TIERRA

**IMPORTANTE:** Lea con atención lo siguiente.

### CONEXIÓN

## ⚠ ADVERTENCIA

**PELIGRO DE CHOQUE ELÉCTRICO PARA SU SEGURIDAD PERSONAL,** este aparato debe estar aterrizado apropiadamente. Haga revisar por un personal experto sus contactos de pared para asegurarse de que el enchufe está conectado a tierra apropiadamente.



### MÉTODO DE CONEXIÓN A TIERRA RECOMENDADO

Su refrigerador debe estar siempre conectado a un circuito propio que esté conectado adecuadamente a tierra. La alimentación de energía debe ser únicamente de 115 V ~ 60 Hz, CA ó 127 V ~ 60 Hz, CA (de acuerdo a los requerimientos de conexión que su país necesite). Esto brinda el mejor desempeño y previene

de las sobrecargas de energía que pueden provocar un incendio debido al sobrecalentamiento de los cables.

Se recomienda que se utilice un circuito separado para este producto, así como un receptáculo que no pueda ser desconectado con un interruptor. No utilice un cable de extensión.

Es su responsabilidad y obligación reemplazar aquellos receptáculos de 2 terminales por uno de 3 terminales conectado debidamente a tierra.

**Bajo ninguna circunstancia corte o arranque la tercera terminal (tierra) del clavija.**

**NOTA:** Antes de instalar, limpiar o cambiar los focos, desconecte el refrigerador. Cuando haya terminado, vuelva a conectar el refrigerador y ajuste el control (de termostato, refrigerador o congelador, según su modelo) a la posición deseada.

### USO DE CABLES DE EXTENSIÓN

Nosotros le recomendamos que no utilice los cables de extensión. Sin embargo, si usted desea utilizar un cable de extensión, es absolutamente necesario que se encuentre en la lista de UL (en los Estados Unidos) o en la lista de la CSA (en Canadá), tenga 3 terminales y que soporte una carga de energía de 15 A (mínimo) y 120 V.

El uso de un cable de extensión incrementará el área que su refrigerador necesita en la parte de atrás.

## ⚠ ADVERTENCIA

### REEMPLAZO DE CABLE DE CORRIENTE

Si el cordón de alimentación se daña, éste debe ser reemplazado por el fabricante, por nuestro centro de servicio o personal calificado por LG para evitar algún riesgo.

# PARTES Y CARACTERÍSTICAS

## CARACTERÍSTICAS ESPECIALES

### 1 PANTALLA DE LED DEL PANEL DE CONTROL

Los simples controles electrónicos son fáciles de usar. La pantalla de LED indica temperaturas del refrigerador y del congelador, muestra el estado del filtro de agua, información sobre el dispensador, y más.

### 2 ICE PLUS

Si está activada esta función, la sección del refrigerador funcionará a la temperatura más baja posible durante 24 horas para aumentar la producción.

### 3 DISPENSADOR DE AGUA FILTRADA Y HIELO

El dispensador ofrece agua fresca, fría y filtrada a través de la puerta. El dispensador ofrece hielo en cubitos o picado.

### 4 ALARMA DE LA PUERTA

Si la puerta del refrigerador o la heladera permaneciese abierta durante más de 60 segundos, la unidad emitiría avisos de alarma a intervalos de 30 segundos.

### 5 SISTEMA SPACEPLUS ICE

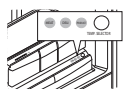
La máquina para hacer hielo automáticamente produce 80-130 cubitos en un período de 24 horas para mantener el dispensador de hielo bien abastecido. El diseño dentro de la puerta crea más espacio en los estantes.

### 6 CAJONES DE VERDURAS Y FRUTAS

Los cajones de LG mantienen los vegetales frescos.

### 7 GLIDE'N'SERVE, CAJÓN DESLIZANTE (EN ALGUNOS MODELOS)

Proporciona espacio de almacenamiento con un control de temperatura variable que mantiene el compartimento más frío que el refrigerador.



### 8 PARTE LUZ ARTICULADO

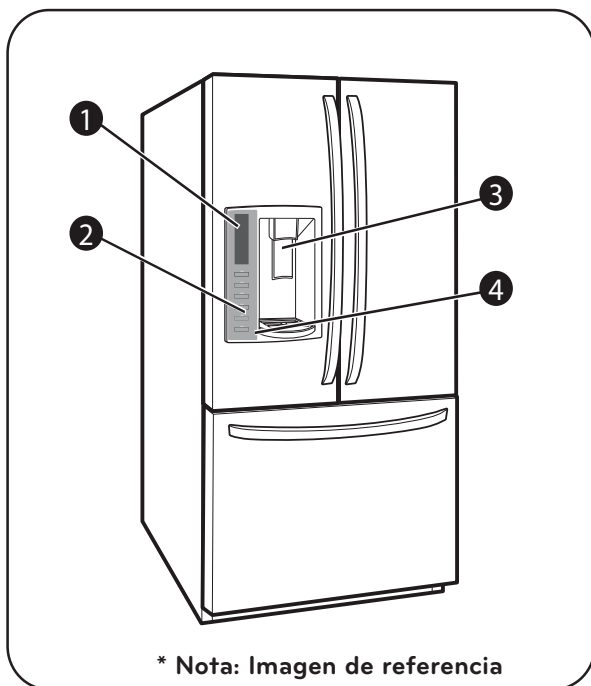
Cuando deje la puerta abierta, el parte luz articulado se plegará.

### 9 BISAGRA AUTOCIERRE

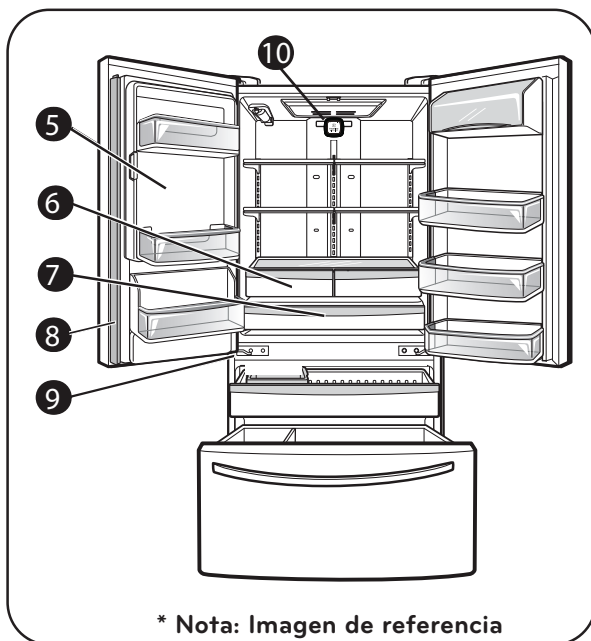
Al empujar ligeramente la puerta del refrigerador, ésta se cerrará automáticamente. (La puerta se cerrará automáticamente en un ángulo no superior a 30 grados).

### 10 FILTRO 'FRESH AIR'

El filtro 'Fresh Air' ayuda a eliminar olores del refrigerador.



\* Nota: Imagen de referencia



\* Nota: Imagen de referencia

**NOTA:** Esta guía recoge las instrucciones relativas a varios modelos distintos.

El refrigerador que ha adquirido puede contar con todos, o algunos, de los siguientes elementos. Los emplazamientos de las siguientes funciones pueden o no coincidir con las de su modelo.

## PIEZAS Y COMPONENTES IMPORTANTES

Además de las características y componentes especiales señalados en la sección

**Características Especiales**, existen otros componentes importantes mencionados en este manual.

### 1 REPISA DEL CONGELADOR, REGULABLE

Los estantes del refrigerador son ajustables para mayor flexibilidad en el almacenamiento.

### 2 CESTAS DE ALMACENAMIENTO DE 3,7L. (1 GALÓN)

Tres cajones intercambiables que pueden disponerse para satisfacer las necesidades de almacenamiento.

### 3 RECIPIENTE DE ALMACENAMIENTO DE HIELO DESMONTABLE

El recipiente de almacenamiento de hielo puede quitarse para llenar hieleras, heladeritas, o jarras.

### 4 LED LÁMPARAS INTERIORES

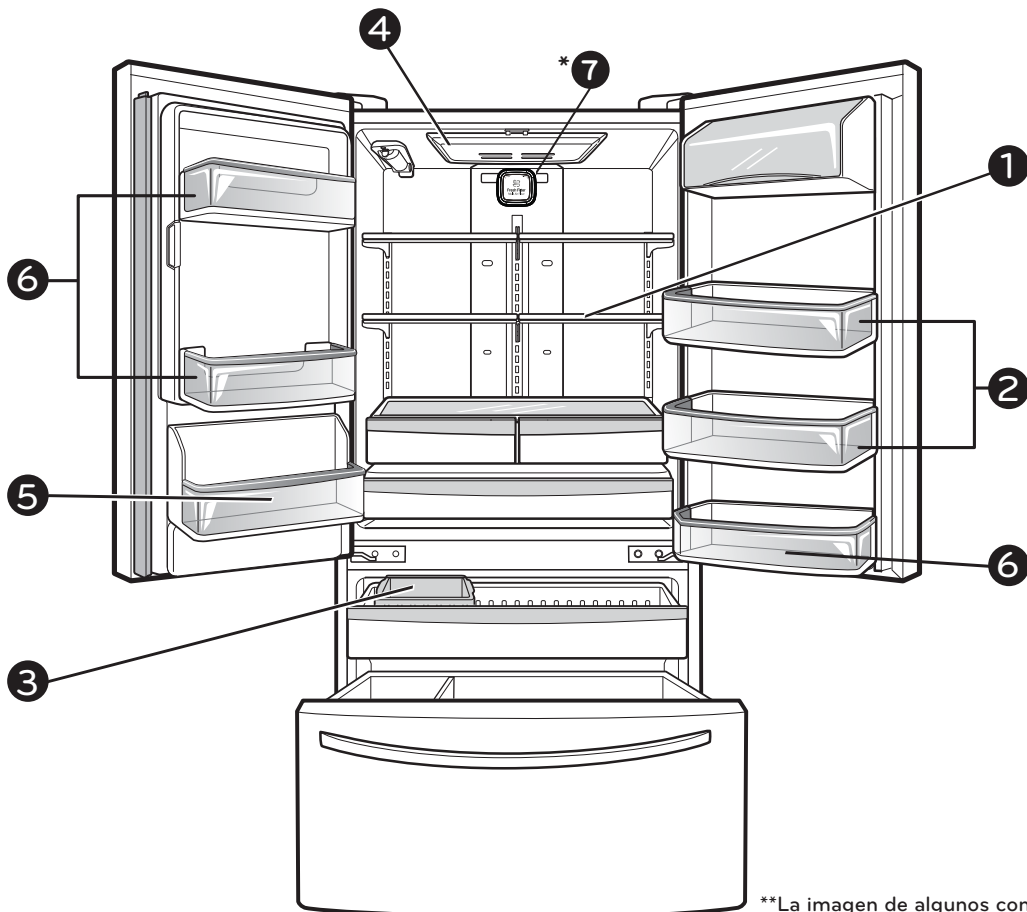
El interior del frigorífico está iluminado por un módulo LED.

### 5 CESTA DE ALMACENAMIENTO DE LATAS

### 6 CESTAS FIJAS DE PUERTA

### 7 FILTRO DE AIRE

El filtro de aire ayuda a remover olores del refrigerador.



\*\*La imagen de algunos componentes puede variar por modelo

# INSTALACIÓN DEL REFRIGERADOR

## ⚠ ADVERTENCIA

### PELIGRO DE PESO EXCESIVO

Use la ayuda de dos o más personas para mover e instalar el refrigerador, no seguir estas instrucciones puede ocasionar lesiones en la espalda u otras partes del cuerpo.

### DESEMPAQUE

Antes de instalar su refrigerador, despegue y remueva las cintas y etiquetas temporales. Retirar vinil de las puertas antes de conectar la unidad a la corriente eléctrica (solo en algunos modelos). No retire aquellas etiquetas que muestren advertencias, el modelo y número de serie o la ficha técnica del producto que se encuentra en la parte posterior del refrigerador.

Para quitar los residuos de cinta o adhesivo, frote bien con sus dedos un poco de detergente líquido para vajillas encima del adhesivo. Limpie con agua tibia y seque. No utilice instrumentos filosos, alcohol para fricciones, líquidos inflamables o productos de limpieza abrasivos para quitar la cinta adhesiva o goma. Estos productos pueden dañar la superficie de su refrigerador. Para obtener más información, vea la sección **"Instrucciones Importantes de Seguridad"**. Las parrillas vienen instaladas en su posición de fábrica acomódelas de acuerdo a sus necesidades de espacio.

### Cómo mover su refrigerador:

Su refrigerador es muy pesado, cuando lo mueva para limpiarlo o darle servicio, proteja el piso. Al mover el refrigerador, siempre tire directamente hacia fuera. Cuando lo trate de mover, no lo menee de lado a lado ni lo haga "caminar" ya que podría dañar el piso.

## ⚠ ADVERTENCIA

### PELIGRO DE EXPLOSIÓN



Mantenga los materiales y vapores inflamables (tales como gasolina) alejados del refrigerador. No seguir esta instrucción puede ocasionar la muerte, explosión o incendio.

No guarde sustancias explosivas ni químicos en su refrigerador, tales como benceno, alcohol, etc. es peligroso

## INSTALACIÓN

1. Evite colocar la unidad cerca de fuentes de calor, rayos de sol directos o humedad.

2. Para evitar la vibración, la unidad debe estar nivelada. Si se requiere, ajuste los tornillos niveladores para compensar el desnivel del suelo. El frente debe de estar ligeramente más alto que la parte posterior para facilitar el cierre de las puertas. Los tornillos de nivelación pueden girar fácilmente levantando un poco el refrigerador de la parte frontal, gire los tornillos en favor de las manecillas del reloj (↻) para levantar la unidad o en contra de las manecillas (↺) para bajarla.

3. Instale el refrigerador en un área que se encuentre entre 55 °F (13°C) y 110° F (43°C). Si la temperatura se encuentra fuera de estos rangos, el enfriamiento del aparato puede afectarse.

- ⚠ **PRECAUCIÓN:** Evite colocar el refrigerador cerca de fuentes de energía, luz solar o humedad.

### UNA VEZ INSTALADO

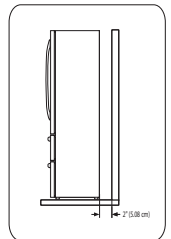
1. Limpie cuidadosamente su refrigerador y remueva el polvo acumulado durante el envío.
2. Instale los accesorios tales como el recipiente para hielos, cajones, parrillas, etc., en los lugares apropiados.
  - Estos se encuentran empacados para prevenir daños durante el transporte.
3. Deje su refrigerador encendido de 2 a 3 horas antes de guardar alimentos. Verifique el flujo de aire frío en el compartimento del congelador para asegurarse de que la unidad enfría apropiadamente. Su refrigerador ahora está listo para usarse.

### ⚠ ADVERTENCIA:

Tenga cuidado cuando trabaje con la bisagra, la cubierta de la base, los topes, etc., puede lastimarse. No ponga sus manos o herramientas en las salidas de aire, la cubierta de la base o en la parte de abajo del refrigerador, puede lastimarse o recibir un choque eléctrico.

### A una distancia adecuada de elementos cercanos

Por favor, mantenga el refrigerador a una distancia prudente de otros objetos. Una distancia demasiado reducida entre la unidad y elementos cercanos puede ocasionar reducción de la capacidad de congelación y aumento del consumo de electricidad.



**NOTA:** Este aparato está destinado a ser usado en aplicaciones domésticas y similares, tales como: áreas de personal de cocina en tiendas, oficinas y otros ambientes de trabajo; casas de campo y por clientes en hoteles, moteles y otros ambientes de tipo residencial; entornos de alojamiento y desayuno de tipo; hostelería y similares aplicaciones no comerciales.

**ADVERTENCIA:** Mantener libres de obstrucción las aberturas de ventilación en el envoltorio del aparato o en la estructura de ensamble.

**ADVERTENCIA:** No utilizar dispositivos mecánicos u otros medios para acelerar el proceso de deshielo, diferentes a los que recomienda el fabricante.

**ADVERTENCIA:** No dañar el circuito de refrigeración.

**ADVERTENCIA:** No utilizar aparatos eléctricos dentro de los compartimentos de almacenamiento de comida del aparato, a menos que sean del tipo que recomienda el fabricante.

**ADVERTENCIA:** No almacene sustancias explosivas tales como latas de aerosol con un agente inflamable dentro de este aparato.

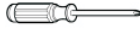
# INSTALACIÓN DEL REFRIGERADOR

## HERRAMIENTAS QUE USTED PUEDE NECESITAR



1/4 in (6 mm)  
3/8 in (10 mm)

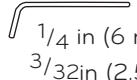
Llave Tubular de Cabeza Hexagonal



Destornillador Phillips



Destornillador Plano



1/4 in (6 mm)  
3/32 in (2,5 mm)  
Llave Allen

**NOTA:** Para mover el refrigerador a través de la puerta de una casa, puede que sea necesario quitar las manijas de las puertas del refrigerador y congelador.

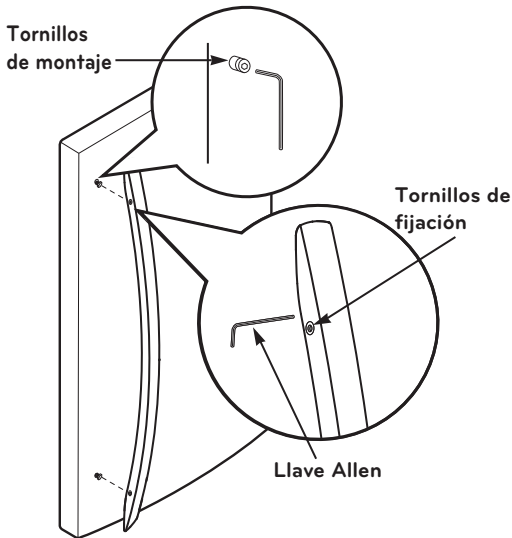
**NOTA:** La apariencia de la manija puede variar.

### CÓMO QUITAR LA MANIJA DE LAS PUERTAS

#### 1. Para quitar la manija del Refrigerador

Afloje los tornillos de fijación con una llave Allen de 3/32 in (2,5 mm) y retire la manija.

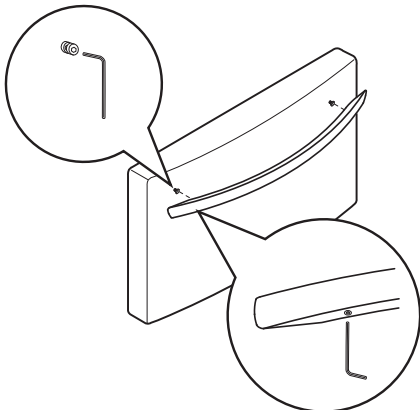
**NOTA:** Para ajustar o retirar los tornillos de montaje de la manija utilice una llave Allen de 1/4 in (6,4 mm).



#### 2. Para quitar la manija del Congelador

Afloje los tornillos de fijación con una llave Allen de 3/32 in (2,5mm) y retire la manija.

**NOTA:** Para ajustar o retirar los tornillos de montaje de la manija utilice una llave Allen de 1/4 in (6 mm).

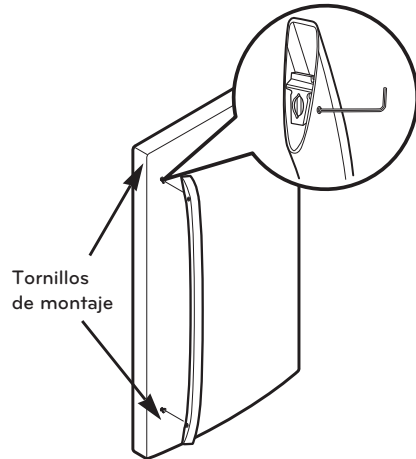


### CÓMO INSTALAR LA MANIJA DE LAS PUERTAS

#### 1. Para instalar la manija del Refrigerador

Instale los tornillos de montaje sobre la puerta, coloque la manija sobre ellos y por último apriete los tornillos de fijación con una llave Allen de 3/32 in (2,5 mm).

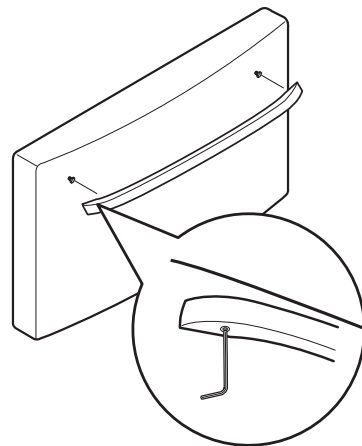
**NOTA:** Para ajustar o retirar los tornillos de montaje de la manija utilice una llave Allen de 1/4 in (6,4 mm).



#### 2. Para instalar la manija del Congelador

Instale los dos tornillos de montaje sobre la puerta, coloque la manija sobre ellos y por último apriete los tornillos de fijación con una llave Allen de 3/32 in (2,5mm).

**NOTA:** Para ajustar o retirar los tornillos de montaje de la manija utilice una llave Allen de 1/4 in (6 mm).



# INSTALACIÓN DEL REFRIGERADOR

## CÓMO QUITAR Y CAMBIAR LAS PUERTAS DEL REFRIGERADOR

### 1. Para Quitar las puertas del Refrigerador

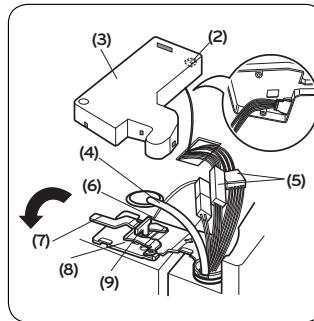
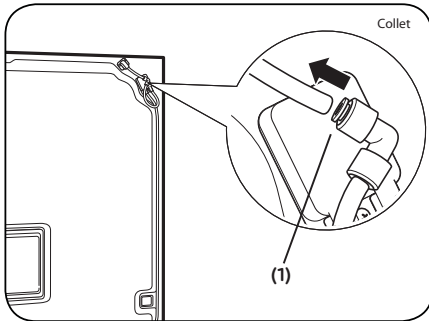
**NOTA:** La apariencia de la manija, bisagra y cubierta de la bisagra puede variar.

#### **⚠ ADVERTENCIA**

- Desconecte el suministro eléctrico de la refrigeradora antes de la instalación. No hacerlo podría causar lesiones graves o incluso la muerte.
- No introduzca sus manos o pies, ni objetos metálicos, en los conductos de ventilación, rejilla de la base o la parte inferior de la refrigeradora. Podría sufrir daños o recibir una descarga eléctrica.
- Tenga cuidado al trabajar con la bisagra, parrilla de la base y retén. Puede resultar herido.

#### ► Puerta Izquierda

- Saque el tubo de agua del accesorio mientras presiona el anillo de liberación del mismo. (1).
- NOTA:** Al extraer el tubo, primero deberá empujar el collar en la dirección opuesta a la flecha indicada en la imagen superior mientras tira del tubo en la dirección de la flecha.
- Abra la puerta. Retire el tornillo de la tapa de la bisagra superior.
  - Utilice un destornillador de pala para levantar las pestañas de la parte frontal que se encuentran bajo la cubierta (2). Levante la tapa.
  - Retire la tapa (3). Quite el tubo (4).
  - Desconecte todos los arneses de cableado (5).
  - Quite el tornillo de conexión a tierra (6).
  - Gire la palanca de la bisagra (7) en el sentido contrario a las agujas del reloj. Levante la bisagra superior (8) separada del sujetador de la palanca de la bisagra (9).
  - Coloque la puerta, con la parte interna hacia arriba, sobre una superficie que no raye.

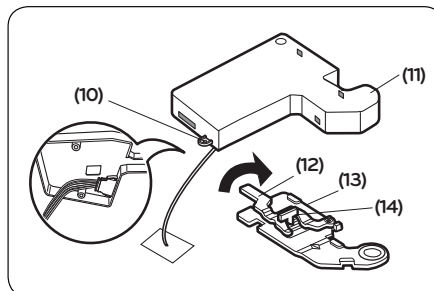


#### ► Puerta Derecha

- Abra la puerta. Retire el tornillo de la tapa de la bisagra superior (10).
- Utilice un destornillador de pala para levantar las pestañas de la parte frontal que se encuentran bajo la cubierta (11). Levante la tapa.
- Gire la palanca de la bisagra (12) en el sentido de las agujas del reloj. Levante la bisagra superior (13) separada del sujetador de la palanca de la bisagra (14).
- Coloque la puerta, con la parte interna hacia arriba, sobre una superficie que no raye.

**⚠ PRECAUCIÓN:** Cuando levante la bisagra separada del sujetador, tenga cuidado de que la puerta no caiga hacia delante.

- Levante la puerta desde la clavija de la bisagra del medio y quite la puerta.
- Coloque la puerta, con la parte interna hacia arriba, sobre una superficie que no raye.





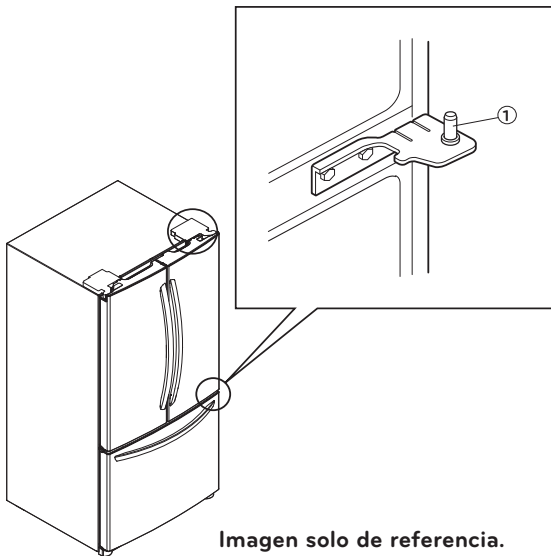
# INSTALACIÓN DEL REFRIGERADOR

## 2. Reinstalación de la Puerta del Refrigerador

Instale primero la puerta derecha

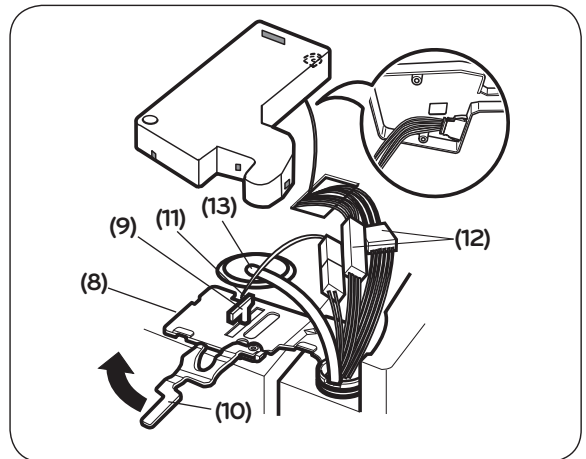
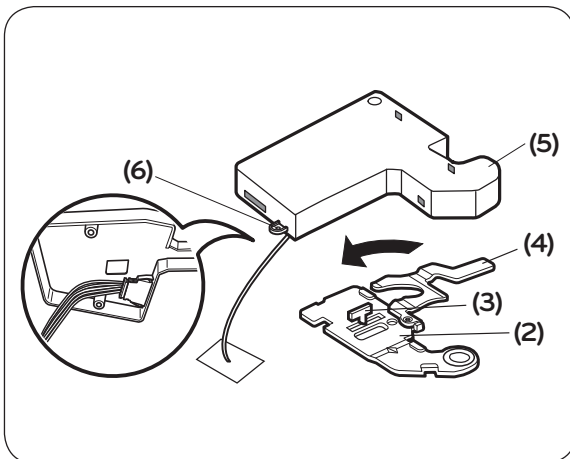
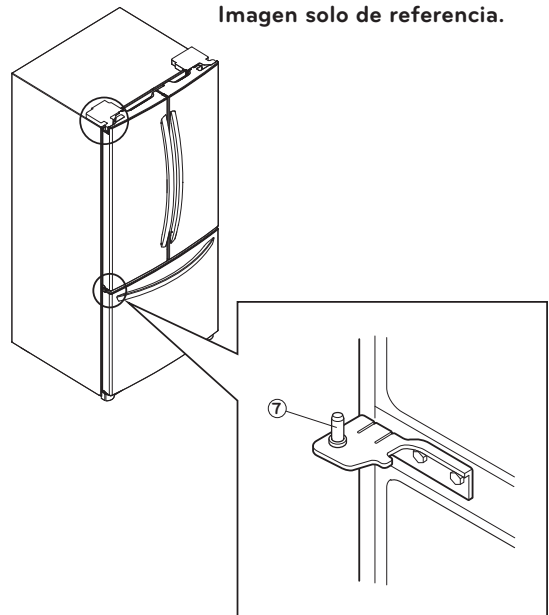
### ► Puerta Derecha

- Baje la puerta sobre la clavija de la bisagra del medio (1).
- Asegúrese de que la puerta este alineada con el gabinete interior.
- Coloque la bisagra superior (2) sobre el sujetador de la palanca de la bisagra (3) y en su lugar. Gire la palanca en sentido contrario a las agujas del reloj (4) y ajuste la bisagra.
- Enganche la lengüeta de la tapa, ubicada en el lado del interruptor de la puerta, bajo el extremo de la apertura del cableado en la parte superior del gabinete.
- Coloque la tapa en su lugar (5).
- Introduzca y ajuste el tornillo de la tapa (6).



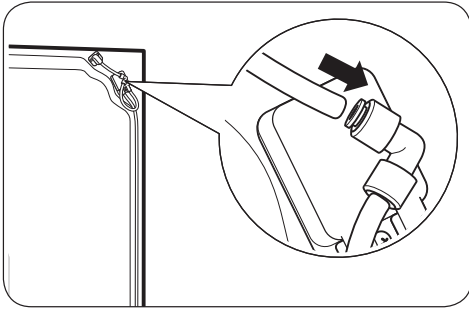
### ► Puerta Izquierda

- Baje la puerta sobre la clavija de la bisagra del medio (7).
- Asegúrese de que la puerta este alineada con el gabinete interior.
- Coloque la bisagra superior (8) sobre el sujetador de la palanca de la bisagra (9) y en su lugar. Gire la palanca en sentido de las agujas del reloj (10) y ajuste la bisagra.
- Instale el tornillo de toma a tierra (11) y conecte todos los arneses (12).
- Empuje el tubo de suministro de agua (13) en el orificio de la superior del gabinete y tire de ella a través de la placa posterior.



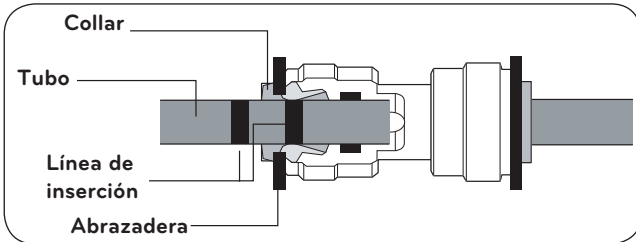
# INSTALACIÓN DEL REFRIGERADOR

- Introduzca el tubo de suministro de agua dentro del conector.
- Introduzca el tubo por lo menos 5/8 in. (15 mm) dentro del conector.

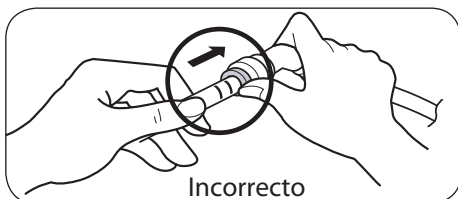
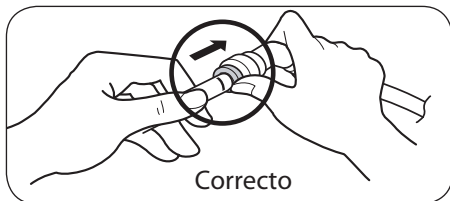


- Enganche la lengüeta de la tapa, ubicada en el lado del interruptor de la puerta, bajo el extremo de la apertura del cableado en la parte superior del gabinete.
- Coloque la tapa en su lugar.
- Introduzca y ajuste el tornillo de la tapa.

## PRECAUCIÓN



1. Inserte el tubo hasta que sólo pueda ver una línea.
2. Tras insertarlo, extraiga el tubo para comprobar si ha sido insertado correctamente.
3. Abrazadera de montaje.



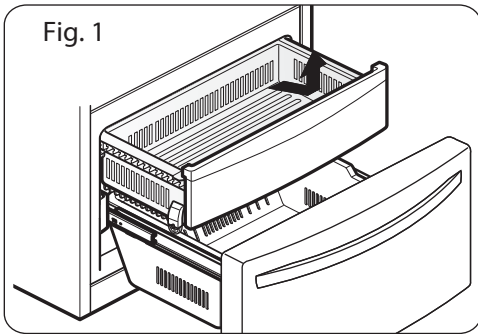
# INSTALACIÓN DEL REFRIGERADOR

## CÓMO RETIRAR E INSTALAR EL CAJÓN DESLIZABLE.

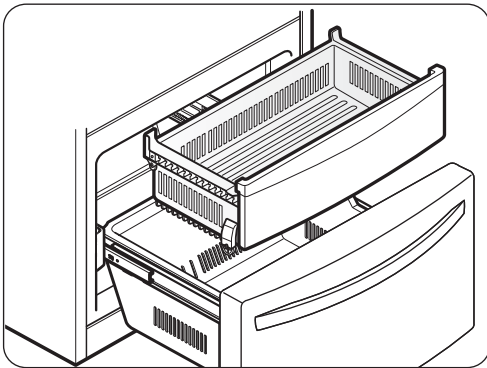
### 1. Para Retirar el Cajón Deslizable

**IMPORTANTE:** Para evitar una posible lesión, daño al producto o a la propiedad, Ud. necesitará dos personas para ejecutar las siguientes instrucciones.

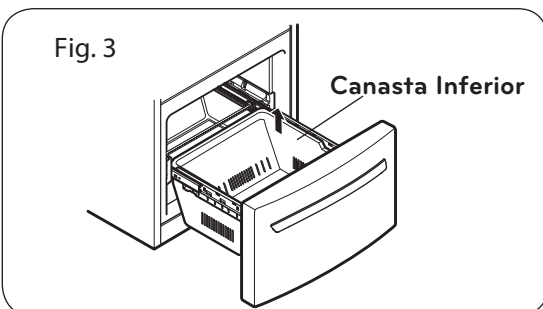
Para sacar el cajón, empuje las lengüetas situadas en la superficie interior delantera decada riel. A continuación, levante con cuidado los lados derecho e izquierdo posteriores del cajón y tire hacia afuera (Fig.1).



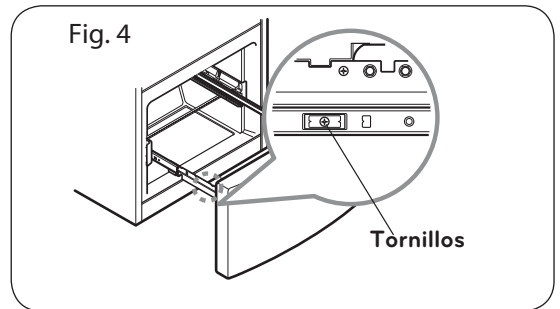
Para volver a instalarlo, tire hacia fuera y extienda ambos rieles. Inserte el extremo del saliente en la abrazadera a izquierda y derecha. Asegúrese de que las guías de la parte delantera estén correctamente alineadas y empujelas con cuidado hacia los dos laterales (Fig.2).



- Abra el cajón al máximo y jálalo. Retire la canasta inferior (Fig. 3), empujándola un poco hacia atrás y levántela del sistema de rieles.



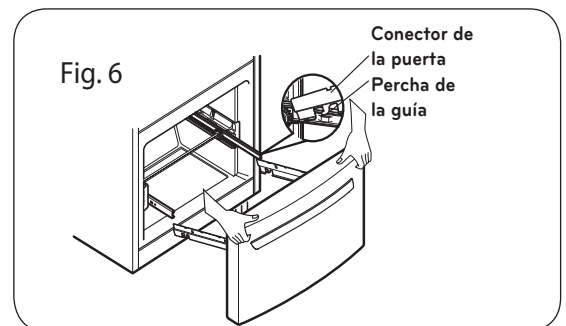
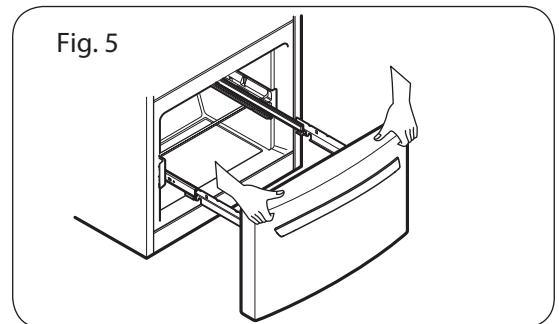
- Retire los tornillos de ambos lados de la guía. (Fig. 4)



**⚠ PRECAUCIÓN:** Cuando Ud. quite el cajón, no sostenga la manija. Si se sale, podría causar lesiones personales. Sostenga el cajón con ambas manos como en la ilustración.

**⚠ PRECAUCIÓN:** Al colocar el cajón en el piso, tenga cuidado de no dañar el piso y lesionarse el pie con las orillas afiladas en el lado de la bisagra.

- Con ambas manos, sujete los dos lados de la puerta (Fig.5) y tire hacia arriba para separarla. (Fig. 6)



# INSTALACIÓN DEL REFRIGERADOR

- Con ambas manos, sujete el centro de la barra y empuje hacia dentro para que las dos guías encajen a la vez. (Fig. 7) (Fig. 8)

Fig. 7

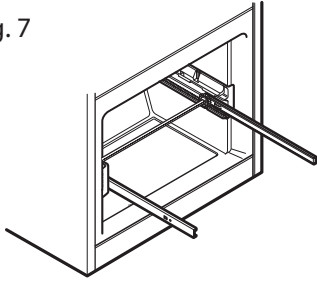
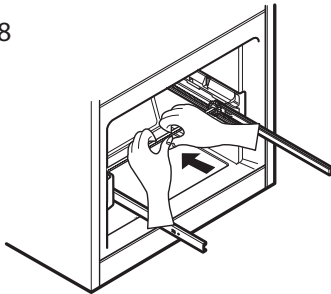
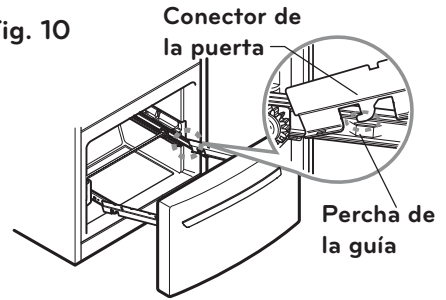


Fig. 8



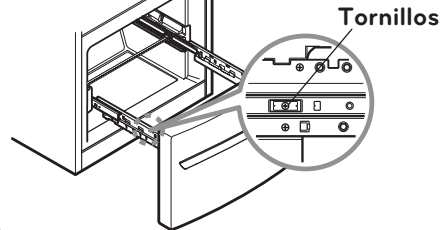
- Monte el conector de la puerta a la percha de la guía, empiece por la parte de atrás y después ensamble la parte de adelante, tal como lo muestra la figura. (Fig. 10)

Fig. 10



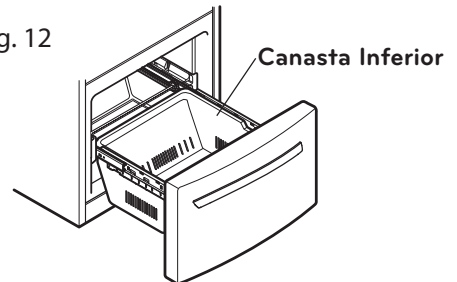
- Empuje hacia abajo y apriete los tornillos. (Fig. 11)

Fig. 11



- Con el cajón extraído en toda su extensión, inserte primero la parte frontal de la canasta sobre el ensamble del riel y después la parte posterior. (Fig. 12)

Fig. 12



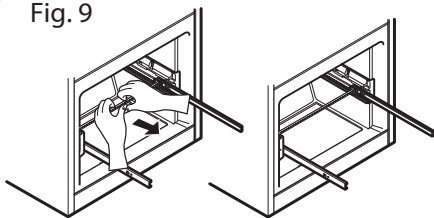
- ⚠ **ADVERTENCIA:** Para prevenir riesgos de atrapamiento y sofocación accidental de niños y mascotas, NO les permita jugar dentro del cajón.
- ⚠ **ADVERTENCIA:** NO se pare ni se siente sobre la puerta del congelador.

## 2. Instalación del Cajón Deslizable

**IMPORTANTE:** Para evitar una posible lesión, daño al producto o a la propiedad, Ud. necesitará dos personas para ejecutar las siguientes instrucciones.

- Con ambas manos, sujete el centro de la barra y tire hacia fuera para que las dos guías salgan a la vez. (Fig. 9)

Fig. 9



# INSTALACIÓN DEL REFRIGERADOR

## CIERRE Y ALINEACIÓN DE PUERTAS

### Nivelación

Su refrigerador cuenta con dos tornillos niveladores: uno en el lado izquierdo y otro en el lado derecho. Si su refrigerador se encuentra inestable o si Ud. desea que las puertas cierren más fácil, ajuste la inclinación del refrigerador realizando lo siguiente:

1. Conecte el refrigerador a un enchufe de 3 terminales. Mueva el refrigerador a su posición final.
2. Use un desarmador plano para ajustar los tornillos niveladores, en el sentido de las manecillas del reloj para elevar y en contra de las manecillas del reloj para bajarlo. Se deberán dar las vueltas necesarias para ajustar a la inclinación deseada.

**NOTA:** Para facilitar la nivelación, haga que alguien levante un poco la parte superior del refrigerador; esto quitará algo de peso sobre los tornillos niveladores.

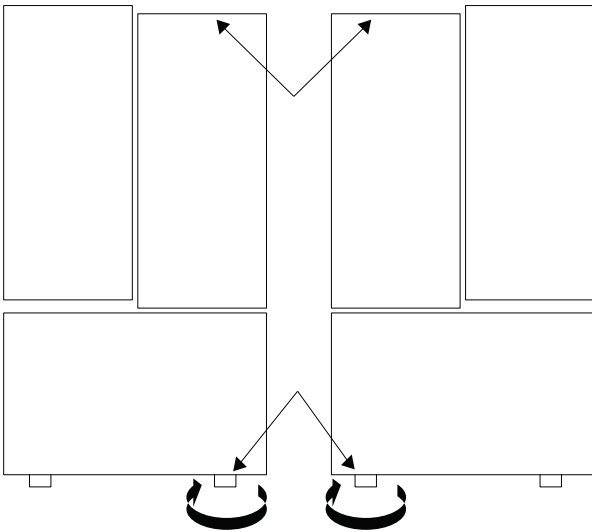


Imagen solo de referencia.

3. Abra ambas puertas y asegúrese que cierran con facilidad. Si no, incline un poco más el refrigerador hacia atrás, girando los tornillos niveladores a favor de las manecillas del reloj. Esto puede tomar varias vueltas, y deberá girar las mismas veces en ambos lados.

4. Verifique usando un nivelador.

**NOTA:** Su refrigerador nuevo está diseñado de forma única con dos puertas para alimento fresco. Cada puerta se puede abrir o cerrar independientemente una de otra. Debe ejercer una ligera presión en las puertas para conseguir que se cierren totalmente.

### Alineación de Puertas

Utilice la llave (incluida con el Manual de usuario) para ajustar el tornillo de la bisagra de la puerta y ajustar la altura. (Sentido contrario a las agujas del reloj para elevarlo o en el sentido de las agujas para bajarlo)

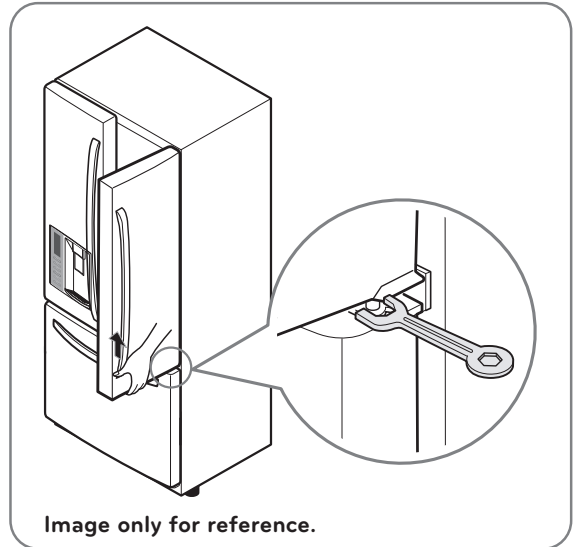
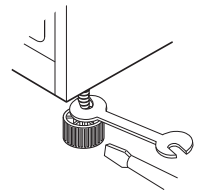


Image only for reference.

### Cuando mueva su refrigerador

**Nota:** Su refrigerador es muy pesado. Cuando mueva el refrigerador para limpiarlo o darle servicio, asegúrese de seguir las siguientes instrucciones.

1. Ajuste los tornillos niveladores hacia arriba.



2. Cubra el piso con cartón para evitar dañar el piso.
3. Siempre tire del refrigerador directamente hacia afuera. No lo menee de lado a lado ni lo haga "caminar" ya que podría dañar el piso.

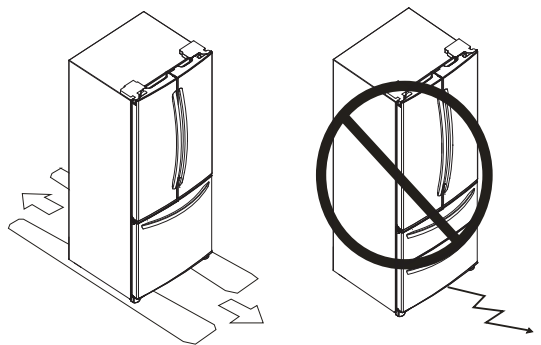
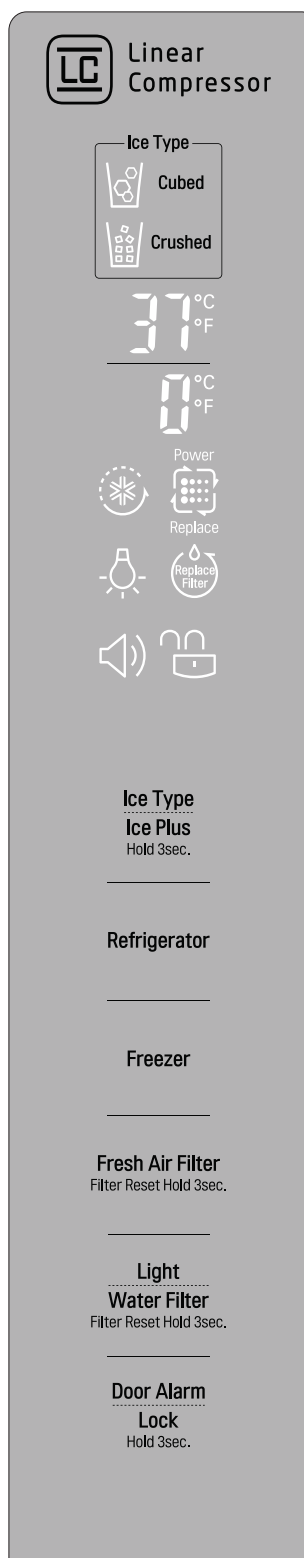


Imagen solo de referencia.

# USO DEL REFRIGERADOR

## CARACTERÍSTICAS DEL PANEL DE CONTROL

**NOTA:** La forma de los botones puede coincidir o no con los de su modelo.



### 1 PANTALLA LED

La pantalla LED muestra mensajes sobre los ajustes de temperatura, las opciones del dispensador, el filtro de agua, la alarma de la puerta y los estados de bloqueo.

### 2 BOTÓN 'ICE TYPE / ICE PLUS' (TIPO DE HIELO / MÁS HIELO)

El botón **ICE TYPE** se utiliza para seleccionar el tipo de hielo: Cubos de hielo o Hielo triturado. Presione y mantenga presionado este botón por al menos 3 segundos, para activar o desactivar el modo de **Ice Plus mode**.

### 3 BOTÓN 'REFRIGERATOR' (REFRIGERADOR)

Presione el botón **REFRIGERATOR** para ajustar la temperatura del refrigerador.

**NOTA:** Cuando lo presiona simultáneamente con el botón **FREEZER** durante más de cinco segundos, la pantalla de temperatura cambiará de Fahrenheit a Celsius o viceversa.

### 4 BOTÓN 'FREEZER' (CONGELADOR)

Pulse el botón **FREEZER** para ajustar la temperatura del compartimento del congelador.

**NOTA:** Cuando lo presiona simultáneamente con el botón **REFRIGERATOR** durante más de cinco segundos, la pantalla de temperatura cambiará de Fahrenheit a Celsius o viceversa.

### 5 BOTÓN 'FRESH AIR FILTER' (FILTRO DE AIRE) (algunos modelos)

Presione este botón para controlar la función **Air Filter** para eliminar olores del refrigerador.

Presione y mantenga el botón **Fresh Air Filter** por más de 3 segundos para reestablecer el indicador del filtro después de que el aire del filtro ha sido reemplazado.

### 6 BOTÓN 'LIGHT/WATER FILTER' (LUZ / FILTRO DE AGUA)

El botón **LIGHT/WATER FILTER** (Luz/Filtro) permite controlar la lámpara del dispensador. Presione y sostenga el botón **LIGHT/WATER FILTER** (luz/filtro) por más de 3 segundos para reconfigurar el indicador de filtro después de que haya sido cambiado el filtro de agua.

### 7 BOTÓN 'DOOR ALARM/LOCK BUTTON' (ALARMA DE PUERTA/BOTÓN DE BLOQUEO)

Pulse este botón **DOOR ALARM/LOCK BUTTON** para controlar la alarma cuando la puerta esté abierta. Mantenga pulsado el botón durante 3 segundos para bloquear o desbloquear los demás botones de función del panel de control, incluyendo el funcionamiento del dispensador.

## USO DEL REFRIGERADOR

### PANTALLA DE LED

La pantalla de LEDs muestra mensajes sobre los ajustes de temperatura, las opciones del dispensador, el filtro de agua, la alarma de la puerta y los estados de bloqueo.

#### 1 INDICADORES DE SELECCIÓN DEL DISPENSADOR

Muestra la selección de hielo triturado, agua, o cubitos que se servirá cuando se presione el interruptor.

#### 2 TEMPERATURA DEL REFRIGERADOR

Indica la temperatura establecida del refrigerador en Celsius o Fahrenheit.

#### 3 TEMPERATURA DEL CONGELADOR

Indica la temperatura establecida del congelador en Celsius o Fahrenheit.

#### 4 ICE PLUS

Al pulsar el botón **ICE PLUS** la pantalla indicará que la función seleccionada ha sido activada.

#### 5 INDICADOR DE LUZ DEL DISPENSADOR

Si pulsa el botón **LIGHT**, la pantalla mostrará la función seleccionada. Cuando la luz del dispensador está encendida, este indicador aparecerá en el panel de visualización.

#### 6 INDICADOR DE ALARMA DE PUERTA

Este indicador señala que se ha activado la alarma de advertencia de apertura de puerta.

#### 7 BOTÓN FILTRO DE AIRE (en algunos modelos)

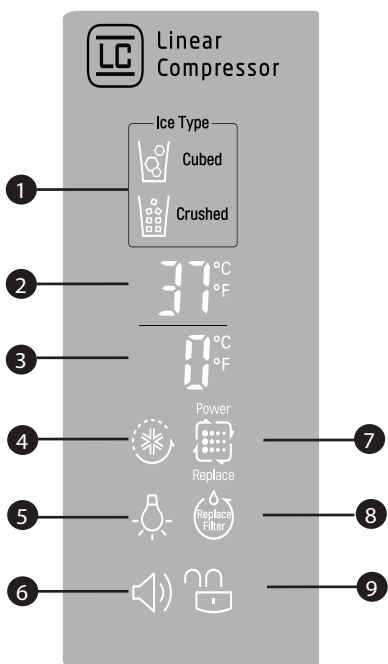
Este indicador muestra que el modo Filtro de Aire está activado.

#### 8 ESTADO DEL FILTRO DE AGUA

Este indicador muestra el estado actual del filtro de agua. Ver Reconfiguración del indicador del filtro.

#### 9 ESTADO DE BLOQUEADO

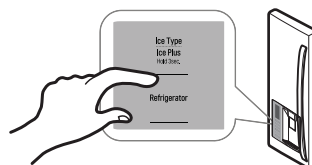
Este indicador muestra que el estado actual de las funciones del panel de control se encuentra configurado en LOCK (bloqueado).



### ⚠ PRECAUCIÓN

#### Configuración del modo de demostración y su cancelación

- Con la puerta del frigorífico abierta, mantenga pulsado el botón **REFRIGERATOR** y el botón **ICE TYPE / ICE PLUS** durante más de 5 segundos para entrar en el modo de demostración. (La pantalla mostrará la palabra "OFF" apagado).
- Realice el mismo procedimiento para cancelar el modo de demostración. • Con el modo de demostración el las funciones de refrigeración estarán desactivadas.

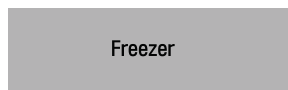


## USO DEL REFRIGERADOR

### CÓMO AJUSTAR LAS TEMPERATURAS Y LA PANTALLA

#### Ajuste de la temperatura del congelador

Para ajustar la temperatura del congelador, presione el botón **FREEZER** para desplazarse a través de las opciones de configuración.



0°F

#### Ajuste de la temperatura del refrigerador

Para ajustar la temperatura del refrigerador, presione el botón **REFRIGERATOR** para desplazarse a través de las opciones de configuración.



37°F

**NOTA:** La temperatura interna real varía en relación al estado de los alimentos, ya que la configuración de temperatura indicada es la temperatura objetivo y no la temperatura real dentro del refrigerador.

Ajustar inicialmente el CONTROL DE LA REFRIGERADORA en 37°F (3°C) y el CONTROL DE LA HELADERA en 0°F (-18°C). Mantenga la unidad con esta configuración durante 24 horas para que se establezca.

A continuación, ajuste la temperatura del compartimento como se ilustra anteriormente.

#### Visualización de temperatura

Para cambiar la visualización de temperatura de Fahrenheit a Celsius:

- Simultáneamente presione y sostenga los botones **FREEZER** y **REFRIGERATOR** durante más de 5 segundos.
- Realice los mismos pasos para convertir de vuelta a Fahrenheit.



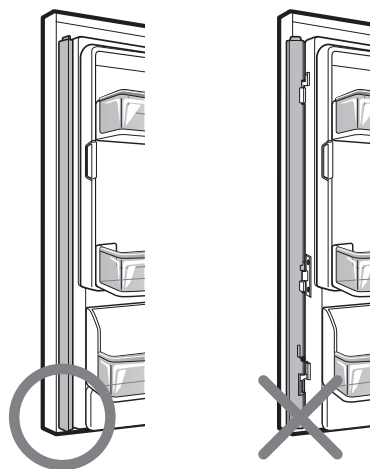
#### Modo de ahorro de energía (En algunos modelos).

- La pantalla permanecerá apagada hasta la próxima vez que se abra la puerta.
- La pantalla también se encenderá cuando se pulse cualquier botón y permanecerá encendida durante 20 segundos después de abrir la puerta por última vez o pulsar un botón.
- Para desactivar el modo de ahorro de energía, pulse simultáneamente los botones **FREEZER** y **ICE TYPE/ICE PLUS** y manténgalos pulsados durante 5 segundos hasta que suene un tono.

**NOTA:** La función del modo de ahorro de energía se ha configurado para el producto. La función del modo de ahorro de energía en los modelos sin Energy Saving siempre va a estar activo.



### PRECAUCIÓN CUIDADO AL CERRAR LA PUERTA



### ⚠ PRECAUCIÓN

Para reducir el riesgo de arañazos, asegúrese de que el exterior de la puerta está siempre plegado.



# USO DEL REFRIGERADOR

## CÓMO OPERAR EL DISPENSADOR

### CÓMO DISPENSAR HIELO TRITURADO

Ice Type  
Ice Plus  
Hold 3sec.

Presione el botón **ICE TYPE / ICE PLUS** para iluminar el ícono de hielo triturado. Presione el interruptor de presión con un vaso u otro recipiente y se expenderá hielo triturado.



### CÓMO DISPENSAR CUBITOS DE HIELO

Ice Type  
Ice Plus  
Hold 3sec.

Presione el botón **ICE TYPE / ICE PLUS** para iluminar el ícono de cubitos de hielo. Presione el interruptor de presión con un vaso u otro recipiente y se expenderán cubitos de hielo.



**NOTA:** Sostenga el vaso u otro recipiente en su lugar durante unos segundos después de servirse hielo o agua para retener los últimos cubitos o gotas. El dispensador está diseñado para no funcionar cuando las puertas del refrigerador están abiertas.

## CÓMO DISPENSAR AGUA

Apriete el pulsador de agua con un vaso u otro recipiente y se servirá el agua fría. Cuando se pulsa el dispensador de agua, la luz se encenderá.

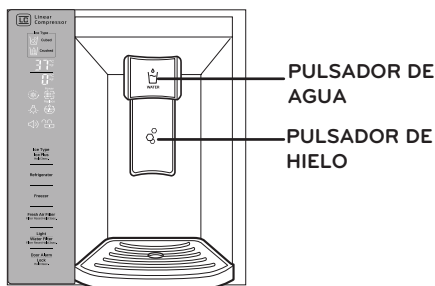


## WATER

### CÓMO CONTROLAR LA LUZ DEL DISPENSADOR

Light  
Water Filter  
Filter Reset Hold 3sec.

Presione el botón **LIGHT / WATER FILTER** (luz/filtro) para encender y apagar a luz del dispensador.



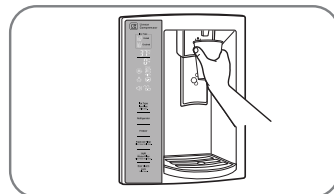
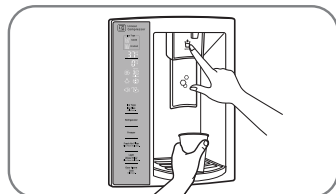
## ⚠ PRECAUCIÓN

- Al llenar el depósito con una pequeña abertura, colóquelo todo lo cerca que pueda de la abertura del dispensador de agua o hielo.
- No dispense hielo en copas de cristal fino ó porcelana. Las copas o la porcelana pueden romperse.

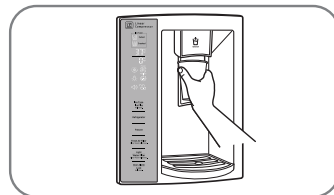
### Incorreco

### Correcto

Agua



Hielo



# USO DEL REFRIGERADOR

## CÓMO CONFIGURAR LAS FUNCIONES

### CÓMO CONFIGURAR EL BLOQUEO DEL DISPENSADOR

Door Alarm  
Lock  
Hold 3sec.



Presione y sostenga el botón **DOOR ALARM / LOCK** (alarma/bloqueo) durante tres segundos para bloquear el dispensador y todas las otras funciones del panel de control. Presione y sostenga de nuevo por 3 segundos para desbloquear.

### CÓMO CONFIGURAR LA ALARMA DE LA PUERTA

Door Alarm  
Lock  
Hold 3sec.



El botón **DOOR ALARM / LOCK** también controla la alarma de puerta abierta que suena tres veces a intervalos de 30 segundos cuando se deja abierta una puerta por más de 60 segundos.

La alarma deja de sonar cuando se cierra la puerta. Presione el botón **DOOR ALARM/LOCK** una vez para activar y desactivar la función de alarma de puerta.

**NOTA:** Contacte el centro de servicio local si la alarma sigue sonando después de cerradas las puertas.

### CÓMO RECONFIGURAR EL INDICADOR DE FILTRO

Light  
Water Filter  
Filter Reset Hold 3sec.



Presione y sostenga el botón **LIGHT / WATER FILTER** (luz/filtro) por más de 3 segundos para reconfigurar el indicador de filtro después de que haya sido cambiado el filtro de agua.

**NOTA:** Es recomendable cambiar el filtro cuando la luz del dispensador frontal alcance 0. Si el sabor del agua o el hielo comienza a deteriorarse.

**NOTA:** Después de reemplazar el filtro de agua, dispense 9 litros (2,5 galones) de agua (deje correr el agua durante unos 5 minutos) para purgar el atrapado y los contaminantes del sistema. No dispense los 9 litros (2,5 galones) de agua de manera continua. Pulse y suelte el botón del dispensador en ciclos de 30 segundos ON y 60 segundos OFF.

### CÓMO ACTIVAR LA FUNCIÓN ICE PLUS

Ice Type  
Ice Plus  
Hold 3sec.



Presione el botón **ICE TYPE / ICE PLUS** una vez para activar la función Ice Plus. El ícono ICE PLUS del panel de visualización se iluminará cuando se active. La función ICE PLUS, la sección del refrigerador funcionará a la temperatura más baja posible durante 24 horas para aumentar la producción de hielo un 20 %, y a continuación se apagará automáticamente.

**NOTA:** Pulse el botón de nuevo para desactivar la función ICE PLUS.

### ACTIVACIÓN DEL FILTRO 'FRESH AIR'

Fresh Air Filter  
Filter Reset Hold 3sec.

El filtro de aire tiene dos ajustes, Auto ad MAX. En el modo automático, entrará en el ciclo "ON" y "OFF" en incrementos de diez minutos ENCENDIDO y 110 minutos APAGADO.

Si se establece en el modo MAX, el filtro de aire se mantendrá en forma continua durante cuatro horas, ciclando ENCENDIDO y APAGADO, en incrementos de diez minutos ENCENDIDO y cinco minutos APAGADO. Después de cuatro horas, el filtro de aire cambiará al modo Auto.

- El modo Auto es el modo predeterminado.
- Pulse el botón de filtro de aire una vez para el modo MAX.

Cuando el ícono REPLACE se enciende, el filtro de aire debe ser reemplazado. Después de reemplazar el filtro de aire, presione y mantenga presionado el botón del filtro de aire durante 3 segundos para activar el ícono de luz. Se recomienda cambiar el filtro de aire cada seis meses aproximadamente.

## DIAGNÓSTICO DE DETECCIÓN DE FALLAS

La función de diagnóstico automáticamente detecta problemas en su refrigerador. Cuando suceda, un código de diagnóstico aparecerá en la pantalla.

**NOTA:** Si un código de diagnóstico aparece en la pantalla durante el uso, registre el código y llame al Centro de Atención. Consulte la Hoja de Garantía para obtener el teléfono del Centro de Atención más cercano.

## SISTEMA SPACEPLUS ICE

### ⚠ PRECAUCIÓN

- Mantenga las manos y las herramientas aparte de la puerta del compartimiento para hielo y la rampa del dispensador. Podría romper algo o lastimarse usted.

La máquina de hielo dejará de producir hielo cuando la charola para hielo esté llena. Si necesita más hielo, vacíe la charola para hielo en la charola adicional para hielo en el congelador de manera que la máquina de hielo pueda continuar haciendo hielo.

Sacuda ocasionalmente la charola para hielo para nivelar el hielo en ella. A veces se acumula el hielo cerca de la máquina de hielo, provocando que la máquina de hielo interprete mal la cantidad de hielo acumulado y deje de producir hielo.

**NOTA:** Guardar latas u otros artículos en la charola para hielo puede dañar la máquina de hielo.

Mantenga bien cerrada la puerta del compartimiento para hielo. Si no se cierra bien la puerta del compartimiento para hielo, el aire frío en la charola para hielo congelará la comida en el compartimiento del refrigerador. Esto también puede provocar que la máquina para hielo no produzca hielo.

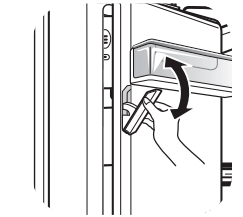
**NOTA:** Si el interruptor de encendido de la cubitera está en la posición Off (Apagado) durante mucho tiempo, el compartimento de hilo se calentará gradualmente hasta la temperatura del compartimento del frigorífico. Para evitar que los cubitos de hielo se deritan y goteen desde el dispensador, vacíe SIEMPRE el depósito de hielo cuando se vaya a apagar la cubitera durante un largo tiempo.

### ⚠ PRECAUCIÓN

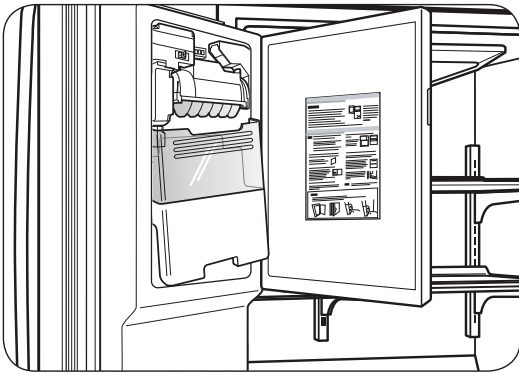
Al mover la charola para hielo, mantenga sus manos lejos de la cuchilla. La cuchilla tiene bordes afilados que pueden causar heridas.



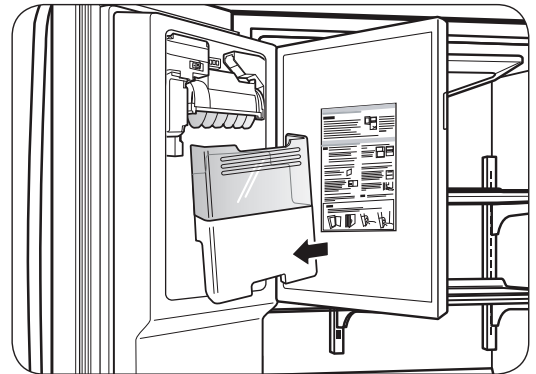
**NOTA:** Para abrir o cerrar el compartimento de hielo, empuje o tire del asa.



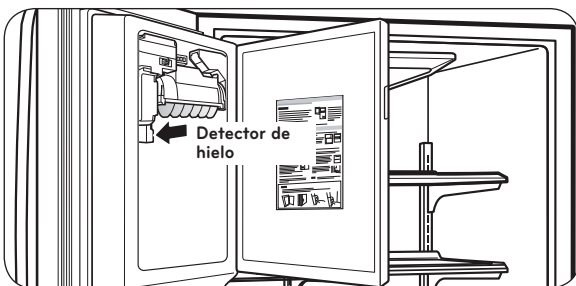
Video de funcionamiento de la fábrica de hielo



Para sacar la charola para hielo de la puerta, sujete la manija del frente, levante ligeramente la parte inferior, y lentamente jale la charola como se muestra.



Para volver a colocar la charola para hielo en la puerta, incline ligeramente la charola para evitar el contacto con la máquina para hielo.



**NOTA:** Evite tocar el sensor de la cubitera al volver a colocar el depósito de hielo. Consulte la etiqueta de la puerta del compartimento de hielo para conocer más detalles.

## MÁQUINA AUTOMÁTICA PARA HACER HIELO

El hielo se hace en la cubitera automática y se envía al dispensador. La cubitera automática puede producir de 10 a 12 cubitos de hielo simultáneamente (dependiendo del tipo de máquina) y unos 100 cubitos en un periodo de 24 horas. Esta cantidad puede variar en diferentes circunstancias, como temperatura del congelador, temperatura ambiente, apertura de puertas y carga del congelador, y otras condiciones operativas.

- Un refrigerador recién instalado tarda 12–24 horas en hacer hielo.
- La fabricación de hielo se detiene cuando el recipiente de almacenamiento de hielo se llena.
- Para apagar la máquina automática de cubitos de hielo, coloque el interruptor en OFF (O). Para encender la máquina automática de cubitos de hielo, coloque el interruptor en ON (I).
- Para obtener una cantidad normal de cubitos de un tamaño regular, la presión del agua debe estar entre 20 y 120psi (138 y 827 kPa) en los modelos sin filtro de agua y 40 y 120 psi (276 y 827 kPa) en los modelos con filtro.

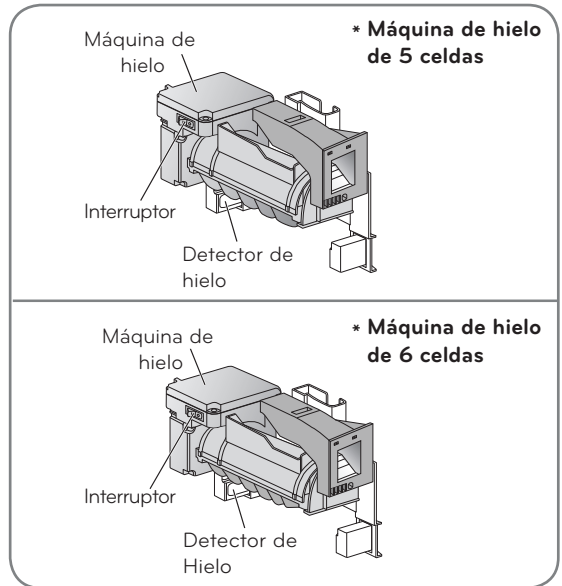
**NOTA:** Es normal que se produzcan ruidos cuando el hielo cae dentro del recipiente de almacenamiento.

- La llave de agua funciona incluso con la tubería de agua no conectada y la heladera activada. El ruido se debe a que la tubería de agua no está conectada y no indica un fallo en la heladera.

## ⚠ ADVERTENCIA

### Peligro de lesiones personales

- NO coloque sus dedos o manos en el mecanismo de la máquina para hacer hielo mientras el refrigerador se encuentre enchufado.



## ⚠ PRECAUCIÓN

- Cuando se utiliza por primera vez, el hielo y el agua pueden incluir partículas u olores provenientes de la línea de suministro de agua o del tanque de agua.
- No utilice los primeros cubitos de hielo producidos (20 aproximadamente), y purgue el agua durante 2 minutos tras la instalación, para eliminar restos de aire y sabores extraños.
- Esto también es necesario si el refrigerador no ha sido usado durante un largo período.
- No almacene nunca latas de bebida u otros alimentos en el depósito de hielo con el fin de enfriarlos rápidamente. Hacerlo podría dañar la máquina de hielo o romper el depósito.
- Si se obtiene hielo descolorido, verifique que el filtro de agua y el suministro de agua. Si el problema continúa, comuníquese con un Centro de Atención Autorizado. No consuma el hielo o el agua hasta corregir el problema.
- Mantenga a los niños alejados del dispensador. No permita que los niños jueguen con el dispensador o cerca de este.
- El paso de hielo también puede bloquearse con escarcha si sólo se utiliza hielo triturado. Retire la escarcha que se acumula.

- Nunca utilice vasos de cristal delgado o vajilla de loza para recoger hielo. Dichos recipientes pueden romperse, y los fragmentos de vidrio pueden caer en el hielo.
- Recoja el hielo en un vaso antes de llenarlo con agua u otras bebidas. Pueden provocarse salpicaduras si se sirve hielo en un vaso que ya contiene líquido.
- Nunca utilice un vaso demasiado angosto o profundo. El hielo puede trabarse en el paso del hielo y puede afectar el funcionamiento del refrigerador.
- Mantenga el vaso a una distancia prudencial de la salida del hielo. Si sostiene el vaso demasiado cerca puede bloquear la salida del hielo.
- Para evitar lesiones personales, mantenga las manos lejos de la puerta y del paso del hielo.
- No retire nunca la cubierta del dispensador.
- Si descubre que sale hielo o agua inesperadamente, cierre el suministro de agua y comuníquese con un Centro de Atención Autorizado. Consulte la Hoja de Garantía para obtener el teléfono del Centro de Atención más cercano.

**NOTA:** No dispense hielo de manera continua por más de 30 seg. Pulse y suelte el botón del dispensador en ciclos de 30 segundos ON (encendido) y 80 segundos OFF (Apagado).

## USO DEL REFRIGERADOR

### CÓMO REGULAR LOS AJUSTES DEL CONTROL

Antes de introducir alimentos a su refrigerador, deje que éste se enfríe primero, dejando pasar 24 horas desde el momento en que usted conecta el refrigerador. El ajuste medio indicado en la sección anterior corresponde a un enfriamiento normal de un refrigerador. Los controles han sido ajustados de manera correcta, de tal forma que la leche y jugo se encuentran tan fríos como usted lo desea y los helados (mantecados) tienen una consistencia firme.

El control del refrigerador funciona como un termostato (para las secciones del refrigerador y congelador). Mientras más alto se encuentre el ajuste, mayor será el tiempo de operación del compresor para mantenerlas temperaturas más frías. El control del congelador ajusta el flujo de aire frío del congelador hacia el refrigerador.

Si Ud. necesita ajustar las temperaturas en el refrigerador o congelador, comience ajustando el refrigerador.

Espere 24 horas antes de realizar éste ajuste para verificar la temperatura del congelador. Si ésta se encuentra tibia o muy fría, entonces ajuste el control del congelador. Use los ajustes mostrados en la siguiente lista como guía para realizar cambios.

CONDICIÓN/RAZÓN:	AJUSTE RECOMENDADO:
<p><b>La sección del REFRIGERADOR se encuentra "tibia"</b></p> <ul style="list-style-type: none"> <li>• Se abre la puerta frecuentemente</li> <li>• Se almacena gran cantidad de alimentos.</li> <li>• La temperatura ambiente es muy alta</li> </ul>	<p><b>Ajuste el control del REFRIGERADOR al siguiente dígito superior, espere 24 horas y verifique.</b></p>
<p><b>La sección del CONGELADOR se encuentra "tibia"/ Los hielos no se forman rápidamente</b></p> <ul style="list-style-type: none"> <li>• Se abre la puerta frecuentemente</li> <li>• Se almacena gran cantidad de alimentos.</li> <li>• La temperatura ambiente es muy baja (no se realizan ciclos suficientemente frecuentes).</li> <li>• Se utilizan hielos muy frecuentemente.</li> <li>• El difusor de aire se ha bloqueado con algunos artículos.</li> </ul>	<p><b>Ajuste el control del CONGELADOR al siguiente dígito superior, espere 24 horas y verifique.</b></p>
<p><b>La sección del REFRIGERADOR está muy fría</b></p> <ul style="list-style-type: none"> <li>• El control no se encuentra ajustado a las condiciones deseadas.</li> </ul>	<p><b>Ajuste el control del REFRIGERADOR al siguiente dígito inferior, espere 24 horas y verifique.</b></p>
<p><b>La sección del CONGELADOR está muy fría</b></p> <ul style="list-style-type: none"> <li>• El control no se encuentra ajustado a las condiciones deseadas.</li> </ul>	<p><b>Ajuste el control del CONGELADOR al siguiente dígito inferior, espere 24 horas y verifique.</b></p>

### GUÍA PARA ALMACENAR ALIMENTOS

ARTÍCULOS	CÓMO ALMACENARLOS
<b>Alimentos Frescos</b>	Guarde o envuelva los alimentos en recipientes cerrados o bolsas que eviten la entrada de aire y humedad. Esto evitará que los olores y sabores de los alimentos se transfieran dentro del refrigerador.
<b>Mantequilla o Margarina</b>	Mantenga la mantequilla cubierta en un recipiente o en el compartimento cerrado. Cuando desee almacenar una mayor cantidad, envuélvala y guárdela en el congelador.
<b>Queso</b>	Guarde el queso en su envoltura original hasta que se desee usarlo. Una vez abierto, envuélvalo firmemente con envoltura plástica o papel aluminio.
<b>Leche</b>	Limpie los cartones de leche; para un mejor almacenaje, colóquela en una charola interior, no en una de la puerta.
<b>Huevos</b>	Guárdelos en su empaque original o en el recipiente para huevos.
<b>Fruta</b>	Lave y deje secar la fruta. Después guárdela en bolsas de plástico dentro del refrigerador. No lave o enguaje las moras hasta que estén listas para consumirse. Las moras deben de ser seleccionadas y guardadas en su empaque original (si lo hay) o en una bolsa de papel a medio cerrar dentro de uno de los cajones.
<b>Vegetales con Hojas</b>	Quite la envoltura original y remueva de los vegetales aquellas partes sucias o descoloridas. Lávelos con agua fría y escúrralos. Colóquelos en una bolsa o contenedor plástico y guárdelos en el cajón de vegetales del refrigerador.
<b>Vegetales con Piel (pimiento, zanahoria)</b>	Colóquelos en bolsas o contenedores plásticos dentro del cajón de vegetales del refrigerador.
<b>Pescado</b>	Consuma los pescados y mariscos el mismo día que los adquirió.
<b>Carne</b>	Conserve la carne en su empaque original, el cual no debe permitir la entrada de aire y humedad. Si es necesario, envuelva de nuevo.
<b>Sobras de Alimentos</b>	Cubra las sobras con envoltura de plástico o papel aluminio. También puede usar contenedores plásticos con tapas firmes.

# USO DEL REFRIGERADOR

## PARA GUARDAR ALIMENTOS CONGELADOS

**NOTA:** Para mayor información acerca de cómo preparar los alimentos para congelarlos así como para ver el tiempo que pueden ser almacenados, consulte una guía sobre congelamiento o una guía para cocinar.

### Empaque

Una buena congelación depende de un empaque correcto. Cuando usted cierra y sella el empaque, no permitirá el acceso de aire y humedad a los alimentos. Un mal empaque resultará en la transmisión de olores y sabores dentro del refrigerador, así como la resequedad de los alimentos congelados.

### Recomendaciones de Empaque:

- Usar contenedores plásticos con tapas rígidas.
- Utilizar envases o jarras de superficies lisas.
- Empacar con papel aluminio de alta resistencia.
- Envolver con papel revestido con plástico.
- Utilizar plástico impermeable.
- Usar bolsas de plástico especiales para congelar.

Siga las instrucciones del empaque o recipiente para lograr un mejor congelamiento.

### No utilice:

- Envolturas del pan.
- Recipientes de plástico que no sean de polietileno.
- Recipientes sin tapas rígidas o firmes.
- Papel encerado o plástico encerado.
- Envolturas delgadas o poco permeables.

### Congelamiento

**IMPORTANTE:** No guarde botellas en el compartimento del congelador, ya que podrían estallar al congelarse y causar daños.

Su refrigerador no congelará rápidamente cualquier cantidad excesiva de alimentos. No introduzca una cantidad mayor de alimentos sin congelar de la que pueda congelarse dentro de 24 horas (no más de 2 a 3 libras ó ,91 kg a 1,36 kg de alimento por pie cúbico del espacio en el congelador). Deje el suficiente espacio en el congelador para que el aire circule alrededor de los paquetes. Deje suficiente espacio al frente para que la puerta cierre sin dificultad.

Los tiempos de almacenaje pueden variar de acuerdo a la calidad y tipo de comida, el tipo de empaque o envoltura usada (a prueba de humedad y aire) y a la temperatura de almacenaje. Los cristales de hielo formado dentro de un empaque cerrado son normales, lo que indica que la humedad de los alimentos y el aire contenido dentro del empaque se han condensado.

**NOTA:** Deje que los alimentos calientes se enfríen a temperatura ambiente durante 30 minutos, después envuélvalos con los métodos mencionados y congélelos. Al enfriar los alimentos calientes antes de introducirlos al congelador, Ud. ahorra energía.

## ⚠ ADVERTENCIA

### PELIGRO DE SOFOCAMIENTO

Ventile adecuadamente la habitación cuando utilice hielo seco. El hielo seco es Dióxido de Carbono (CO<sub>2</sub>) congelado. Cuando se evapora, éste emana Oxígeno, causando mareos, dolores de cabeza leves, inconciencia o muerte por sofocamiento abra una ventana y no inhale estos vapores.

## SECCIÓN DEL REFRIGERADOR

### PARRILLAS DEL REFRIGERADOR

Las parrillas de su refrigerador se ajustan para cumplir con sus necesidades de almacenaje; su modelo puede incluir parrillas de vidrio o alambre. Almacenar alimentos similares juntos y ajustar las parrillas a diferentes alturas, hará más fácil la búsqueda de los artículos que Ud. necesita; esto también reducirá el tiempo que las puertas se encuentran abiertas, lo que ahorrará energía.

**IMPORTANTE:** No limpie los estantes de vidrio con agua caliente o tibia cuando éstos se encuentren fríos. Los estantes se pueden quebrar si se exponen a cambios bruscos de temperatura o impactos fuertes. Para su seguridad, los estantes están fabricados con vidrio templado para que al romperse se fracturen en muchos pedazos pequeños.

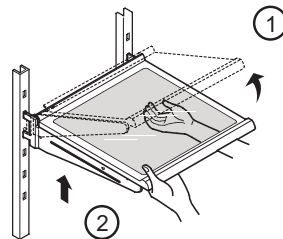
**NOTA:** Las parrillas de vidrio son pesadas. Tenga especial cuidado cuando las mueva de lugar para evitar impactos por caída.

### Para Ajustar las Parrillas

Retire las parrillas de su posición de fábrica y póngalas en la posición que a Ud. le sea más útil.

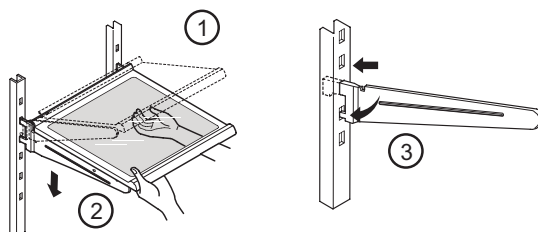
#### • Para Quitar una Parrilla

Incline la parrilla por la parte frontal en la dirección que se muestra (1) y levántela en la dirección (2) que indica la figura. Jale la parrilla hacia usted.



#### • Para Poner una Parrilla

Incline la parte frontal de la parrilla (1) y guíe los ganchos de la parrilla hacia los orificios a la altura que desee. Después baje el frente de la parrilla (2) para que los ganchos se inserten (3) en los soportes de la parrilla.



## USO DEL REFRIGERADOR

**NOTA:** Asegúrese de que la parrilla está instalada de manera horizontal. Si no lo hace, puede provocar que la parrilla se caiga, lo que causaría el derrame o caída de alimentos.

### Parrillas Deslizables (en algunos modelos)

Ud. puede deslizar algunas de las parrillas de su refrigerador hacia afuera o hacia adentro como a continuación se describe:

- Para deslizar la parrilla hacia afuera, júlela con cuidado hacia Ud., vea Figura A.
- Para deslizar la parrilla hacia adentro, empújela hasta que tope, vea Figura B.

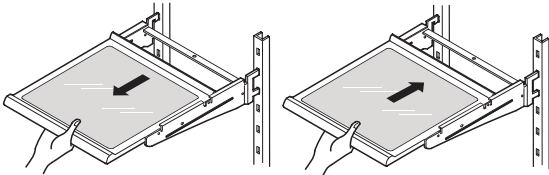


Figura A

Figura B

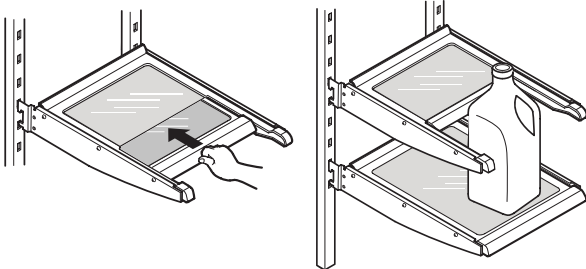
### Para quitar una parrilla del marco de metal

- Jale la parrilla hasta que tope.
- Inclíne el frente de la parrilla hacia arriba y júlela un poco hacia adelante.
- Levante la parrilla de manera que se mueva a través de los orificios del soporte.

Vuelva a colocar la parrilla orden inverso.

### Parrillas Funcionales (Parrillas Plegables, en algunos modelos)

Ud. puede guardar artículos altos tales como galones o botellas simplemente plegando la parrilla a la mitad.

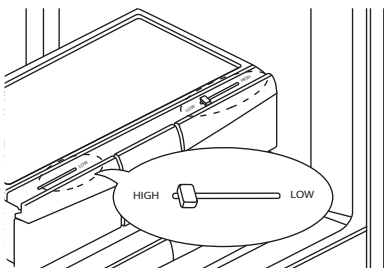


### CONTROL DE HUMEDAD EN LOS CAJONES (en algunos modelos)

Ud. puede controlar la cantidad de humedad en los cajones, ajustando el control en cualquier posición entre "High" y "Low".

**"High":** mantiene el aire húmedo en el cajón para mejor almacenamiento de vegetales frescos.

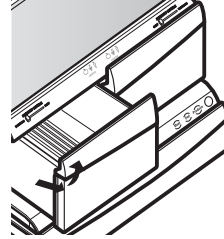
**"Low":** permite que el aire húmedo salga del cajón para un mejor almacenamiento de frutas.



### Para quitar y colocar las rejillas de control de humedad

1. Deslice la rejilla hacia afuera hasta que tope.
2. Levante la parte frontal de la rejilla, jále para sacarla.
3. Vuelva a colocarla, deslizándola hacia adentro hasta pasar los topes.

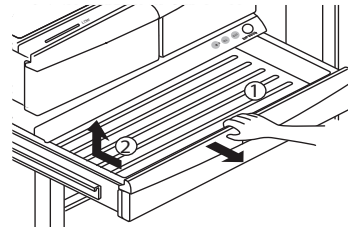
**⚠ PRECAUCIÓN:** Tenga cuidado cuando maneje la cubierta de vidrio, ya que esta se puede soltar.



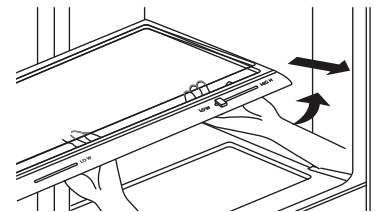
### Para quitar y colocar el cajón deslizante

- 1 Para quitar, jale el cajón hacia afuera lo máximo posible.
  - 2 Levante la parte delantera del cajón y, a continuación, sáquelo.
- Para instalar, levante apenas la parte frontal e inserte el cajón en el bastidor empújelo hasta su posición.

**NOTA:** Para reducir el riesgo de arañar la puerta es recomendable retirar la cesta fija de la puerta.



### Para quitar el vidrio:

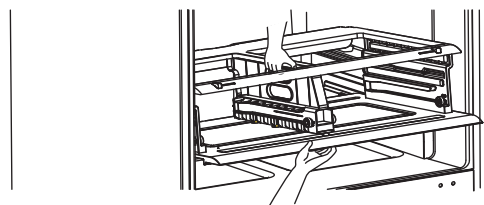


- Levante el vidrio después de haber insertado un dedo en el agujero situado debajo de la cubierta del cajón.
- Levante el vidrio y sáquelo.

### Para remover y colocar la cubierta de soporte de la rejilla de humedad.

**NOTA:** Remueva el vidrio antes de quitar la cubierta de soporte de la rejilla de humedad.

Mientras mantiene la cubierta con ambas manos (como se muestra en la figura). Tire hacia adelante y ligeramente levante la parte frontal.

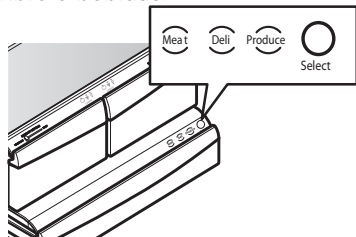


## USO DEL REFRIGERATOR

### Glide'N'Serve (Cajón Deslizante, en algunos modelos).

El Glide'N'Serve (Cajón Deslizante) proporciona espacio de almacenamiento con un control de temperatura variable que mantiene el compartimento más frío que el refrigerador.

Este cajón puede utilizarse para charolas grandes, fiambre o bebidas.



#### Botón de selección

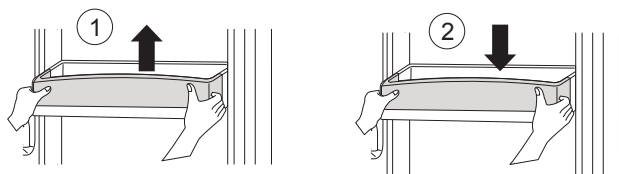
- Cuando se selecciona la opción "MEAT" (CARNE), la temperatura del sistema Glide'N'Serve puede mantenerse alrededor de 1°C (34°F). Esta función ayuda a mantener la carne o el pescado frescos durante más tiempo. La temperatura del sistema Glide'N'Serve puede mantenerse por debajo de la configuración de temperatura recomendada (Congelador: -17°C (0°F), Frigorífico: 2,7°C (37°F)).

- Cuando se selecciona la opción "DELI", la temperatura del sistema Glide'N'Serve puede mantenerse alrededor de 3°C (38°F). Esta función ayuda a mantener la comida fresca durante más tiempo. La temperatura del sistema Glide'N'Serve puede mantenerse por debajo de la configuración de temperatura recomendada (Congelador: -17°C (0°F), Frigorífico: 2,7°C (37°F)).

- Cuando se selecciona la opción "PRODUCE" (PRODUCIR), la temperatura del sistema Glide'N'Serve puede mantenerse alrededor de 5°C (41°F). Esta función ayuda a mantener la comida fresca durante más tiempo. La temperatura del sistema Glide'N'Serve puede mantenerse por debajo de la configuración de temperatura recomendada (Congelador: -17°C (0°F), Frigorífico: 2,7°C (37°F)).

### ANAQUELES DE LAS PUERTAS

- Los anaqueles se pueden quitar para una mejor limpieza y ajuste (1).
- Para colocar el anaquel, deslícelo sobre la guía deseada y empújelo hacia abajo hasta que tope. (2).



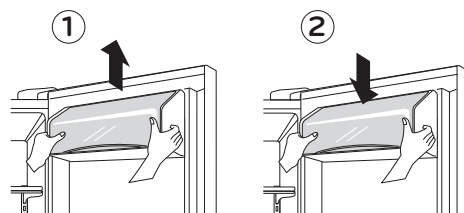
**⚠ PRECAUCIÓN:** NO permita que los niños jueguen con los anaqueles. Las esquinas filosas podrían lesionarlos.

**⚠ ADVERTENCIA:** Alguien puede resultar herido si los anaqueles no están firmemente ensamblados.

**NOTA:** NO ajuste los anaqueles cuando contengan comida.

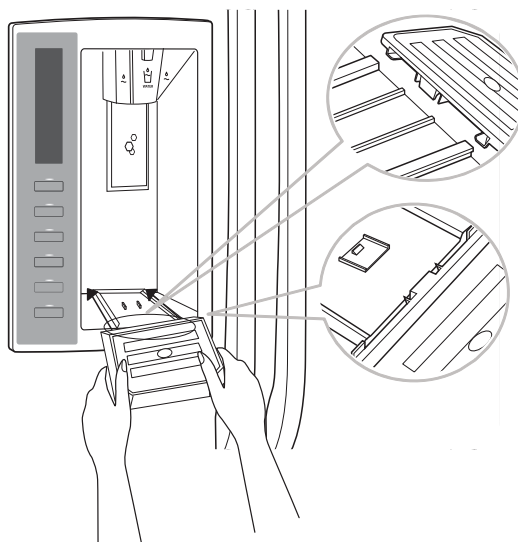
### COMPARTIMENTO PARA LÁCTEOS (En algunos modelos)

- Para quitar el compartimento para lácteos, levántelo y jale hacia afuera (1).
- Para volver a colocar el compartimento, deslícelo sobre la ubicación deseada y empújelo hacia abajo hasta que tope (2).



### Bandeja de goteo del dispensador (En algunos modelos)

La bandeja de goteo del dispensador no tiene función autovaciante. Debe limpiarse de manera regular. Retire la tapa presionando y tirando de la bandeja. Séquela con un paño. Para reinstalar la bandeja, incline un poco el frente de la bandeja e introduzca los rebordes dentro de los orificios.



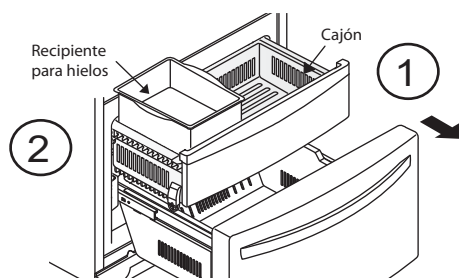


## SECCIÓN DEL CONGELADOR

### RECIPIENTE PARA HIELOS (En algunos modelos).

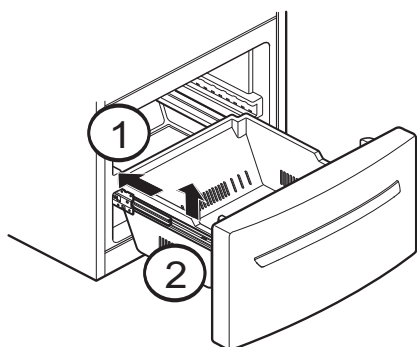
#### Para remover recipiente para hielos:

- Jale el cajón tanto como sea posible (1).
- Levante y extraiga con cuidado el recipiente para hielo (2).
- Extraiga el cajón tanto como sea posible y coloque el recipiente de hielo en la posición correcta (3).



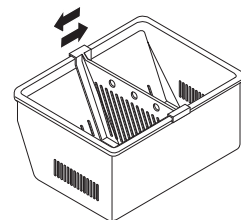
### DURABASE (en algunos modelos)

- Para quitar la Durabase, empuje hacia atrás, levante la parte frontal de la durabase y jale para arriba (1).
- Para volver a colocar, inserte la Durabase en el ensamble del riel (2).



### SEPARADOR DURABASE (en algunos modelos)

El separador de la Durabase permite organizar el área de la Durabase en dos secciones.



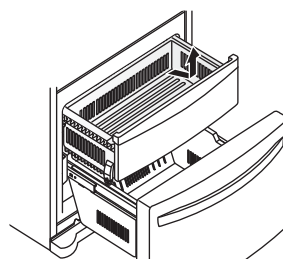
Para mover el separador solo deslicelo hacia la dirección que usted desee.

**⚠ ADVERTENCIA:** Existe suficiente espacio dentro para que los niños jueguen.

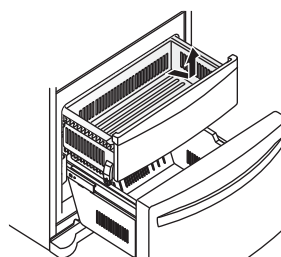
**⚠ ADVERTENCIA:** Para prevenir riesgos de atrapamiento y sofocación de niños y mascotas. NO les permita jugar dentro del cajón.

### Pull-Out Drawer

Para sacar el cajón, empuje hacia atrás hasta donde tope levante con cuidado los lados derecho e izquierdo posteriores del cajón y tire hacia afuera.



Para volver a instalarlo, tire hacia fuera y extienda ambos rieles. Inserte el extremo del saliente en la abrazadera a izquierda y derecha. Asegúrese de que las guías de la parte delantera estén correctamente alineadas y empújelas con cuidado hacia los dos laterales.



## ⚠ ADVERTENCIA

### PELIGRO DE EXPLOSIÓN



Utilice limpiadores no inflamables. No seguir esta instrucción puede ocasionar la muerte, explosión o incendio.

Tanto el refrigerador como el congelador realizan deshielo automático, a pesar de esto, limpie ambas secciones una al vez al mes para prevenir la formación de olores. Limpie los derrames de líquidos inmediatamente.

### PARA LIMPIAR SU REFRIGERADOR

- Desconecte su refrigerador.
- Quite todas las partes desmontables del interior, tales como las parrillas, compartimentos para verduras, etc.
- Use una esponja limpia o un trapo suave con un poco de detergente con agua tibia. No use limpiadores abrasivos o detergentes concentrados.
- Lave a mano, enjuague y seque las superficies.
- Enchufe el refrigerador o vuelva a conectar el suministro eléctrico.

### EXTERIOR

Encere las superficies exteriores pintadas de metal para brindarles mayor protección, realice esta acción con cera para electrodomésticos (o cera suave para automóviles) y aplíquela con un trapo suave y limpio; hágalo al menos 2 veces por año.

Para productos con exterior de acero inoxidable, utilice una esponja limpia o un trapo suave con detergente en agua tibia; seque la superficie con una franela suave. No use limpiadores abrasivos o concentrados.

**NOTA:** Evite el contacto de la superficie de la puerta con productos químicos que contengan fosfatos o cloros.

### INTERIOR (permítale al congelador calentarse un poco para que el trapo no se pegue)

Para eliminar olores, limpie el interior del refrigerador con una mezcla de polvo para hornear (soda) y agua tibia. Mezcle 2 cucharadas de polvo para hornear en de agua (26 gr de soda por cada litro de agua). Asegúrese que el polvo para hornear (soda) se disuelva por completo para que no raye las superficies del refrigerador.

### PUERTAS Y EMPAQUES (SELLOS)

Para la limpieza de éstos, no utilice ceras limpiadoras, detergentes concentrados, blanqueadores o limpiadores que contengan partes plásticas de petróleo.

### PARTES PLÁSTICAS (Cubiertas y Paneles)

No utilice toallas de papel, aspersores para vidrio, limpiadores abrasivos o fluidos inflamables, éstos pueden rayar o dañar el material.

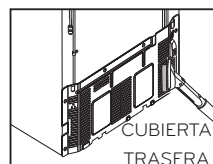
## CUBIERTA TRASERA

## ⚠ ADVERTENCIA

### PELIGRO DE CHOQUE ELÉCTRICO

Antes de comenzar, desenchufe el refrigerador o desconecte la corriente de electricidad en el cortacorriente o caja de fusibles. No seguir estas instrucciones puede ocasionar la muerte o una lesión severa.

**NOTA:** La tapa posterior solo debe ser removida por un técnico calificado. Para un funcionamiento eficiente de su refrigerador, limpie la cubierta por lo menos 2 veces al año.



### CÓMO CAMBIAR LAS BOMBILLAS DEL REFRIGERADOR

Este modelo incluye una iluminación interior de LED.

NO remueva el LED, sólo debe ser removido por un técnico calificado.

## CUIDADO DE SU REFRIGERADOR

### INTERRUPCIONES DE ENERGÍA

1. Si se desconecta la energía de su hogar, llame a su compañía de energía y pregunte cuánto tiempo durará sin suministro eléctrico.
2. Si no habrá energía en las próximas 24 horas o menos, mantenga las puertas del refrigerador cerradas, para que los alimentos se mantengan fríos y congelados.
3. Si no habrá energía por más de 24 horas, use alguna de las siguientes opciones:
  - Saque todos los alimentos congelados y guárdelos en una hielera.
  - Coloque en el congelador 2 lbs (907 g) de hielo seco por cada pie cúbico (28 L) del espacio del congelador. Esto ayudará a que los alimentos congelados duren así de 2 a 4 días. Utilice guantes para manejar el hielo seco, ya que puede sufrir quemaduras.
  - Si no cuenta con hielo seco o hielera, consuma lo antes posible los alimentos perecederos.

**RECUERDE:** Un congelador lleno se mantiene más tiempo frío que uno parcialmente lleno. Un congelador lleno de carne se mantiene más tiempo frío que uno que contenga pastelillos u otros alimentos horneados. Si usted observa que los alimentos tienen cristales de hielo, éstos pueden volver a congelarse sin problema, aunque la calidad y sabor pueden variar. Si los alimentos no se encuentran en buenas condiciones o Ud. cree que no es saludable ingerirlos, deséchelos.

### CUIDADOS DURANTE LAS VACACIONES

Si Ud. decide dejar el refrigerador funcionando mientras está ausente, siga estos pasos para preparar su refrigerador antes de irse.

1. Consuma todos los artículos perecederos y congele el resto.
2. Vacíe el recipiente para hielos.

Si Ud. decide apagar el refrigerador antes de irse, siga estos pasos:

1. Saque toda la comida del refrigerador.
2. Desconecte su refrigerador.
3. Limpie el refrigerador, enjuáguelo y séquelo bien.
4. Fije bloques de goma o de madera con cinta adhesiva a ambas puertas para que queden abiertas y el aire circule. Esto evita que se formen olores y que crezcan hongos.

### CUIDADOS CUANDO USTED SE MUDA

Si Ud. muda su refrigerador a una casa nueva, siga los siguientes pasos para prepararse para la mudanza.

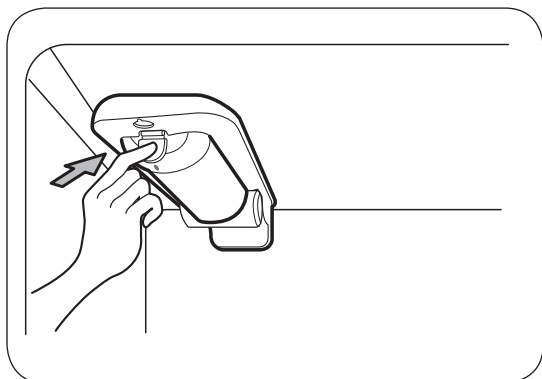
1. Saque toda la comida del refrigerador y empaque los alimentos congelados con hielo seco.
2. Desconecte su refrigerador.
3. Vacíe el agua de la bandeja colectora.
4. Limpie y seque con un trapo.
5. Saque todas las partes desmontables, envuélvalas bien y asegúrelas con cinta adhesiva para que no se sacudan durante la mudanza.
6. Según el modelo, levante la parte delantera del refrigerador para que ruede con facilidad o atornille las patas niveladoras para no rayar el piso. Consulte la sección **"Cierre y Alineación de Puertas"**.
7. Sostenga las puertas cerradas y el cable pegado al gabinete del refrigerador con cinta adhesiva.

Cuando llegue a la casa nueva, ponga todo de nuevo y lea la sección **"Instalación del Refrigerador"** para obtener instrucciones de preparación. Además, si su refrigerador tiene fábrica de hielo automática, recuerde volver a conectar el suministro de agua al refrigerador.

### CÓMO CAMBIAR EL FILTRO DE AGUA

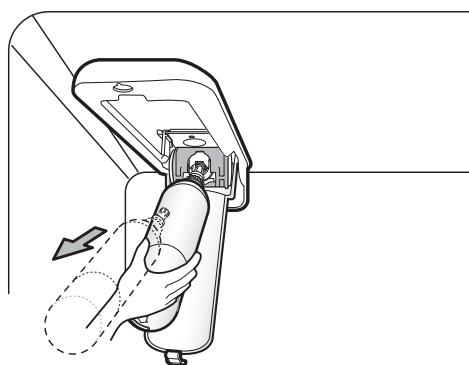
Es recomendable que cambie el filtro cada 6 meses cuando el indicador del filtro alcance los 0 meses o cuando el dispensador de agua y de hielo reduzca sustancialmente el rendimiento.

#### Extracción del cartucho usado.



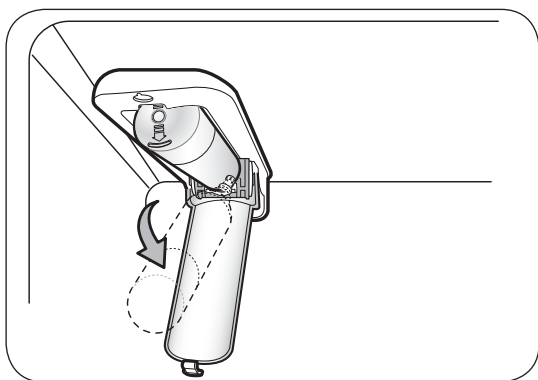
1. Presione el botón para abrir la cubierta del filtro.

**NOTA:** Cuando se cambia el filtro, se pierde una pequeña cantidad de agua (alrededor de 1 oz o 25 cc). Coloque una taza bajo el orificio del filtro para recoger los residuos.



3. Tire del cartucho del filtro para extraerlo.

**NOTA:** Cuando se abra hasta el ángulo completo, el filtro debería salir con facilidad..

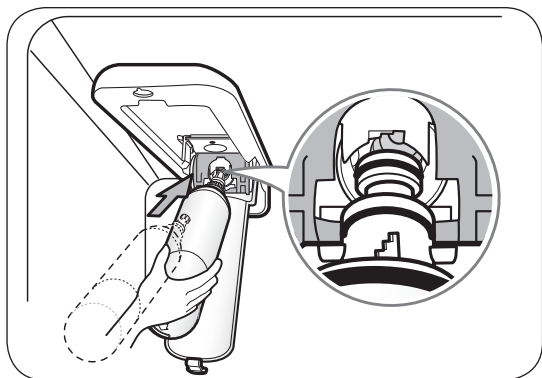


2. Jale el cartucho hacia abajo.

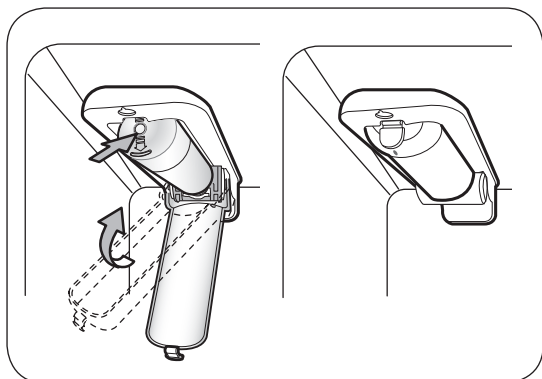
# CUIDADO DE SU REFRIGERADOR

## CÓMO CAMBIAR EL FILTRO DE AGUA

Reemplace con un cartucho nuevo.



1. Extraiga el nuevo cartucho del embalaje y retire la cubierta de protección de la junta tórica. Con las aletas del cartucho en posición horizontal, empuje el nuevo cartucho en el orificio del distribuidor hasta que se detenga.



2. Encaje el cartucho firmemente. La cubierta volverá a su sitio con un clic.

**NOTA:** Después de sustituir el filtro, deje que circulen por el filtro unos 9,5 litros antes de su uso (unos 5 minutos de circulación). Revise posibles fugas que pueda haber en el filtro.



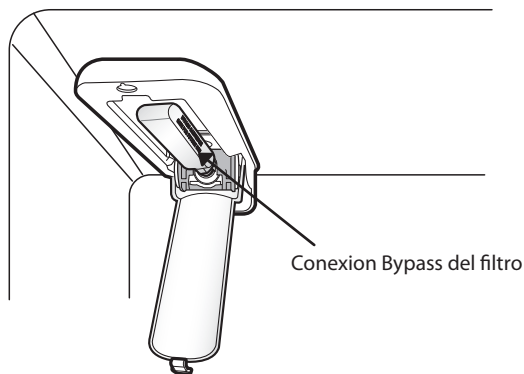
Cuando el indicador del filtro de agua muestre el mensaje 0 Filter Month (0 meses de filtro), manténgalo pulsado durante 3 segundos.

Reinicie el estado del filtro de agua y el indicador luminoso manteniendo pulsado el botón **LIGHT / WATER FILTER** (LUZ/FILTRO) durante al menos 3 segundos.

**NOTA: Conexión de bypass del filtro**

Guarde el tapón del bypass del filtro.

Cuando no pueda conseguir un cartucho de recambio deberá utilizar el tapón del bypass. La cubitera no funcionará sin el filtro o sin el tapón del bypass insertado en el compartimento adecuado.



Para comprar nuevos cartuchos de filtro de agua, visite a su distribuidor local de artefactos o piezas, también puede referirse a la hoja de garantía para obtener el número telefónico del centro de servicio más cercano.

También puede llamar a:

USA **1-800-243-0000**

CANADA **1-888-LGCANADA**

(24 horas al día/7 días por semana).

El número de repuesto del cartucho de filtro de agua es **ADQ36006101**.

# CUIDADO DE SU REFRIGERADOR

## Hoja de datos de rendimiento

**Modelo: LG ADQ36006101-S**

**Utilice un recambio de cartucho: ADQ36006101**

La concentración de las sustancias indicadas en el agua que entra en el sistema se redujo a una concentración menor o igual al límite permisible para el agua de salida según las especificaciones de los estándares NSF/ANSI 42 y 53.



Sistema probado y certificado por NSF International según los estándares NSF/ANSI 42 y 53 para la reducción de las sustancias siguientes.

Reducción de contaminantes	Influente medio	Concentración objetivo especificada por NSF	% de reducción media	Concentración media de producto en agua	Concentración máxima permisible de producto en agua	Requisitos de reducción NSF	Informe de prueba de NSF
Olor y sabor de cloro	2.1 mg/L	2.0 mg/L ± 10%	97.2%	0.06 mg/L	N/A	≥ 50%	J-00049247
Partículas nominales clase I, ≥0,5 a < 1,0 µm	5,600,000 pts/mL	At least 10,000 particles/mL	98.7%	73,000 pts/ml	N/A	≥85%	J-00049282
Asbestos	190 MFL	107 to 108 MFL; fibers greater than 10 µm in length	>99%	< 1MLF	N/A	≥99%	J-0004928
Atracina	0.0094 mg/L	0.009 mg/L ± 10%	94.7%	0.00005 mg/L	0.003 mg/L	N/A	J-00049293
Benceno	0.016 mg/L	0.015 mg/L ± 10%	96.7%	0.005 mg/L	0.005 mg/L	N/A	J-00049300
Carbofuran	0.08 mg/L	0.08 mg/L ± 10%	98.1%	0.002 mg/L	0.04 mg/L	N/A	J-00049294
Lindano	0.002 mg/L	0.002 mg/L ± 10%	98.2%	0.00004 mg/L	0.0002 mg/L	N/A	J-00051975
P-Diclorobenceno	0.22 mg/L	0.225 mg/L ± 10%	99.8%	0.0005 mg/L	0.075 mg/L	N/A	J-00049298
Toxafeno	0.014 mg/L	0.015 mg/L ± 10%	93%	0.001 mg/L	0.003 mg/L	N/A	J-00049302
2,4-D	0.213 mg/L	0.210 mg/L ± 10%	95.2%	0.009 mg/L	0.07 mg/L	N/A	J-00049284
Plomo pH @ 6,5	0.150 mg/L	0.15 mg/L ± 10%	>99.3%	0.001 mg/L	0.010 mg/L	N/A	J-00051974
Plomo pH @ 8,5	0.150 mg/L	0.15 mg/L ± 10%	>99.3%	0.001 mg/L	0.010 mg/L	N/A	J-00049277
Mercurio @ pH 6,5	0.0059 mg/L	0.006 mg/L ± 10%	96.1	0.0002 mg/L	0.002 mg/L	N/A	J-00053886
Mercurio @ pH 8,5	0.0058 mg/L	0.006 mg/L ± 10%	90.1	0.0006 mg/L	0.002 mg/L	N/A	J-00051972
Bacterias*	120,000 bacterias/L	Mínimo de 50,000 bacterias/L	99.99%	<1 bacterias/L	N/A	≥99.95%	J-00049281

\* Basado en el uso de *Cryptosporidium parvum* oocysts.

## CUIDADO DE SU REFRIGERADOR

Guías de Uso/Parámetros de Suministro de Agua	
Flujo de servicio	0.5 gpm (1.9 lpm)
Suministro de agua	Agua potable
Presión de agua	20-120Psi (138~ 827kPa)
Temperatura del agua	33°F ~ 100°F (0.6°C ~ 38°C)

Es indispensable que se realicen la instalación recomendada por el fabricante, el mantenimiento y los requerimientos de remplazo del filtro para que el producto se desempeñe adecuadamente.

**Nota:** Mientras que las pruebas se realizaron en condiciones estándar de laboratorio, el desempeño real puede variar.

Cartucho de remplazo: ADQ36006101.

Para conocer el coste estimado de los recambios, llame al teléfono USA **1-800-243-0000** CANADA **1-888-LGCANADA** (24 horas al día/ 7 días por semana o visite nuestro sitio web en [www.lg.com](http://www.lg.com))

3M es una marca comercial de 3M Company.  
NSF es una marca comercial de NSF International.  
© 2009 3M Company. Reservados todos los derechos

### ADVERTENCIA

Para reducir el riesgo asociado con la ingestión de contaminantes: No use agua que no es microbiológicamente segura o de calidad desconocida sin haberle desinfectado adecuadamente antes y después del sistema.

Los sistemas certificados para la reducción de quistes puede utilizarse en aguas desinfectadas que puedan contener quistes filtrables. Número de establecimiento de EPA 10350-MN-005

### PRECAUCIÓN

**Para reducir el riesgo asociado con daños a la propiedad debido a fugas de agua:**

- **Lea y siga.** Use las Instrucciones antes de la instalación y del uso de este sistema.
- La instalación y el uso DEBEN cumplir con todos los códigos de plomería estatales y locales.
- No instale si la presión del agua excede las 120 psi (827 kPa). Si la presión del agua excede las 80 psi (552 kPa) usted debe instalar una válvula limitadora de presión. Contrate a un plomero profesional si no tiene la seguridad de cómo verificar la presión del agua.
- No instale donde puedan darse condiciones de golpe de agua. Si existen condiciones de golpe de agua usted debe instalar un bloqueador de golpe de agua. Contrate a un plomero profesional si no tiene la seguridad de cómo verificar la presión del agua.
- No instale en líneas de suministro de agua caliente. La temperatura máxima del agua de operación de este sistema de filtrado es de 38°C (100°F).
- Evite la congelación del filtro. Drene el filtro cuando la temperatura caiga por debajo de 4.4°C (40°F).
- El cartucho desechable del filtro debe ser remplazado cada 6 meses, con la capacidad especificada o si hay una reducción notable en el flujo de agua.

**OFILTRO DE AGUA**

State of California  
Department of Public Health  
Water Treatment Device  
Certificate Number  
09-2018

Date Issued: December 15, 2009

---

---

**Trademark/Model Designation**

ADQ36006101-S

**Replacement Elements**

ADQ36006101

**Manufacturer:** Cuno Inc.

---

---

The water treatment device(s) listed on this certificate have met the testing requirements pursuant to Section 116830 of the Health and Safety Code for the following health related contaminants:

**Microbiological Contaminants and Turbidity**

s t s y C

**Inorganic/Radiological Contaminants**

s o t s e b s A

Lead  
Mercury

**Organic Contaminants**

2,4-D Reduction  
Atrazine  
Benzene  
Carbofuran  
Lindane  
p-Dichlorobenzene  
Toxaphene

---

**Rated Service Capacity:** 200 gal

**Rated Service Flow:** 0.5 gpm

---

**Conditions of Certification:**



# CÓMO CONECTAR LA TUBERÍA DE AGUA

## ANTES DE COMENZAR

La instalación de la tubería de agua no está garantizada por el fabricante del refrigerador o de la fábrica de hielos. Siga las instrucciones cuidadosamente para minimizar el riesgo de daños al producto.

El aire en la tubería de agua puede provocar martilleos en las conexiones, lo que puede causar daños a las tuberías internas del refrigerador o derrame de agua al interior. Llame a un plomero calificado para corregir los martilleos en las conexiones antes de instalar la tubería de agua.

Para evitar quemaduras y daños al producto, no conecte su refrigerador a las tuberías de agua caliente.

Si usa su refrigerador antes de conectar el suministro de agua, asegúrese de que la fábrica de hielo se encuentra en la posición **O** (apagado).

No instale las tuberías de la fábrica de hielos en áreas en las cuales la temperatura ambiente se encuentre bajo el punto de congelación del agua.

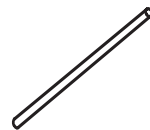
Cuando utilice cualquier dispositivo eléctrico (como un taladro) durante la instalación, asegúrese de que el dispositivo esté doblemente aislado o conectado a tierra para prevenir el riesgo de choque eléctrico.

Toda instalación deberá hacerse de acuerdo con los requerimientos locales de agua y drenaje.

- Si un sistema de filtración de agua por ósmosis inversa está conectado al suministro de agua fría, la instalación de la manguera no se garantiza por el fabricante del refrigerador o de la fábrica de hielo automática. Siga las siguientes instrucciones cuidadosamente para minimizar el riesgo de daños costosos por agua.
- Si un sistema de filtración de agua por ósmosis inversa está conectado al suministro de agua fría, la presión del agua para el sistema de ósmosis inversa debe tener un mínimo de 40 a 60 PSI ó 276 kPa a 414 kPa ( $2,8 \text{ kg} \cdot \text{f} / \text{cm}^2 \sim 4,2 \text{ kg} \cdot \text{f} / \text{cm}^2$ , menos de 2 ~ 3 segundos para llenar una taza de 7 oz de capacidad [0,2 litros]).
- Si la presión del agua del sistema de ósmosis inversa es menor de 21 PSI ó 145 kPa ( $1,5 \text{ kg} \cdot \text{f} / \text{cm}^2$ , más de 4 segundos para llenar una taza de 7 oz de capacidad [0,2 litros]):
  - a) Compruebe si está bloqueado el filtro de sedimentos en el sistema de ósmosis inversa. Reemplace el filtro si es necesario.
  - b) Permitir que el tanque de almacenamiento del sistema de ósmosis inversa se rellene después de un uso intenso.
  - c) Si el problema sobre la presión de agua de ósmosis inversa se mantiene, llame a un plomero calificado.

## REQUERIMIENTOS

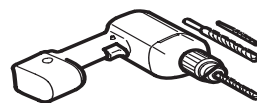
- **Tubería de Cobre de 1/4" (6,35 mm)** de diámetro para conectar el refrigerador a la tubería de agua. Asegúrese que ambas terminales se corten cuadradas.



Para determinar cuánta tubería puede necesitar, mida la distancia desde la válvula que se encuentra en la parte de atrás del refrigerador, hasta el suministro de agua. Después sume 8 pies (2,4 m). Asegúrese de que exista suficiente tubería extra para permitir el libre movimiento del refrigerador desde la pared.

- **Un suministro de agua fría.** La presión del agua debe estar entre 138 y 827 kPa o 20 y 120 PSI en los modelos que no cuenten con filtro de agua y entre 276 y 827 kPa o 40 y 120 PSI en los modelos que cuenten con filtro de agua.

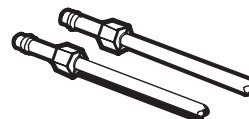
- **Taladro.**



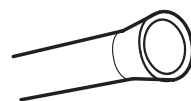
- **Llave Ajustable de 1/2 " (12,7 mm).**

- **Desatornillador plano y tipo Phillips (Estrella).**

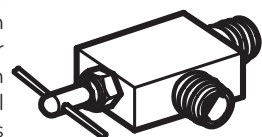
- **Dos tuercas de compresión de 1/4" (6,35 mm)** de diámetro con 2 mangas para conectar la tubería de cobre a la válvula del refrigerador.



Si su tubería de cobre actual cuenta con alguna reducción en los extremos, necesitará un adaptador (disponible en las ferreterías) para conectar la línea de agua al refrigerador. También puede cortar la reducción con un cortador de tubo y después utilizar las conexiones de compresión arriba mencionadas.



- **Válvula de paso** para conectar a la línea de agua fría. La válvula debe tener una entrada de agua con un diámetro mínimo interior de 5/32" (3,46 mm) en el punto de conexión del AGUA FRÍA. Estas válvulas se pueden encontrar en cualquier paquete de conexión de agua. Antes de comprar, asegúrese de que la válvula cumpla con los reglamentos locales.



## INSTRUCCIONES DE INSTALACIÓN

Instale la válvula en la tubería donde Ud. frecuente ingerir agua.

- ⚠ **PRECAUCIÓN:** Conectar solamente al suministro de agua potable.

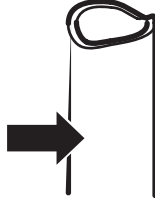
### 1. CIERRE EL SUMINISTRO PRINCIPAL DE AGUA

Abra la llave más cercana para dejar fluir el agua y vaciar las tuberías.

# CÓMO CONECTAR LA TUBERÍA DE AGUA

## 2. SELECCIONE LA LOCALIZACIÓN DE LA VÁLVULA

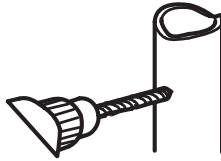
Seleccione la localización para la válvula que mejor se le facilite el acceso. Es mejor conectar en una tubería vertical. Cuando sea necesario conectar en una tubería horizontal, haga la conexión en la parte superior o lateral, en vez de hacerlo en la parte inferior, para prevenir la acumulación de sedimentos.



## 3. TALADRE UN ORIFICIO PARA LA VÁLVULA

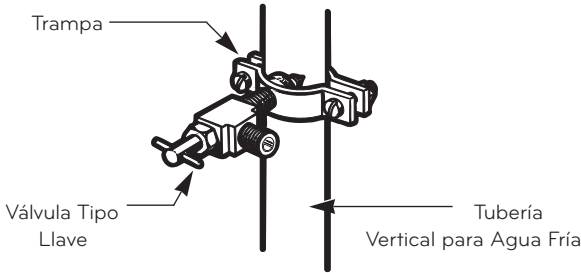
Taladre un orificio de 1/4" (6,35 mm) diámetro en la tubería de agua. Elimine la rebaba que quede después de hacer la perforación.

Tenga cuidado de que el agua no llegue al taladro. Si no realiza la perforación de 1/4" (6,35 mm) puede resultar en una producción pobre de hielo o cubos más pequeños.



## 4. APRIETE LA VÁLVULA

Apriete la válvula a la tubería de agua fría con una trampa para tubos.

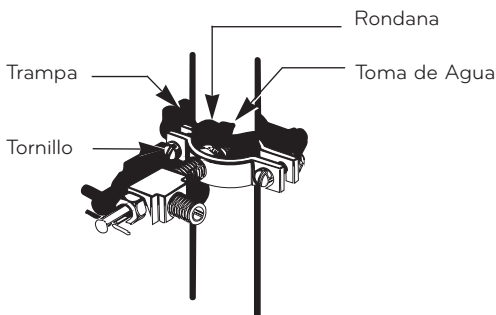


**NOTA:** Los códigos de tubería 248CMR del estado de Massachusetts deben estar adheridos a la conexión. Las válvulas de este tipo están prohibidas en Massachusetts. Consulte con su plomero autorizado.

## 5. APRIETE LA TRAMPA

Apriete la trampa hasta que la rondana selladora empiece a agrandarse.

**NOTA:** No apriete de más, ya que podría romper la tubería.



## 6. ACOMODE LA TUBERÍA

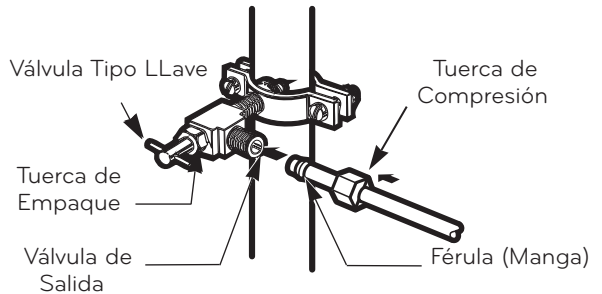
Acomode la tubería entre la línea de agua fría y el refrigerador.

Acomode la tubería a través de una perforación hecha en la pared o piso (detrás del refrigerador o a un lado del gabinete) tan cerca de la pared como sea posible.

**NOTA:** Asegúrese de que exista suficiente tubería extra (unos 8 pies [244 mm] enrollados en 3 vueltas de 10" [25 cm] de diámetro) para permitir al refrigerador moverse fuera de la pared después de la instalación.

## 7. CONECTE LA TUBERÍA A LA VÁLVULA

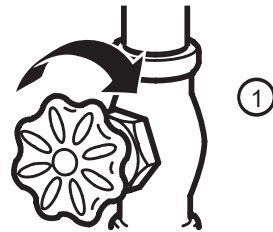
Ponga la tuerca de compresión y la férula para la tubería de cobre al final de la tubería y conéctela a la válvula. Asegúrese que la tubería está completamente insertada en la válvula. Apriete la tuerca con precaución.



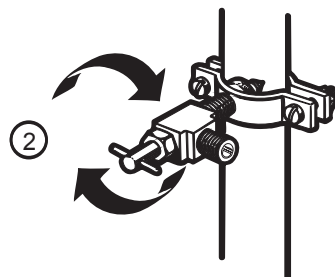
**NOTA:** Los códigos de tubería 248CMR del estado de Massachusetts deben estar adheridos a la conexión. Las válvulas de este tipo están prohibidas en Massachusetts. Consulte con su plomero autorizado.

## 8. DRENE LA TUBERÍA

Abra el suministro principal de agua (1) y drene la tubería hasta que el agua esté clara.



Abra el agua en la válvula de paso (2) y cierre después de haber drenado 1/4 de galón (1L) de agua.



# CÓMO CONECTAR LA TUBERÍA DE AGUA

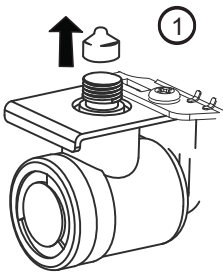
## 9. CONECTE LA TUBERÍA AL REFRIGERADOR

### NOTAS:

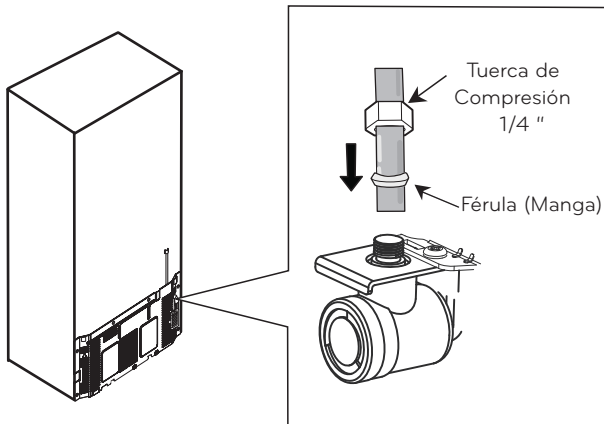
- Antes de hacer la conexión al refrigerador, asegúrese de que éste no esté conectado al suministro de energía.
- Si su refrigerador no cuenta con filtro de agua, le recomendamos que instale uno. Si su suministro de agua contiene arena o partículas que puedan ser llevadas a través de la válvula, instale un filtro de agua en la tubería cerca del refrigerador.

**IMPORTANTE:** No utilice mangueras viejas, gastadas o usadas, sólo use nuevas para hacer un mejor uso y lograr un mejor servicio. Conecte sólo al suministro de agua potable para su seguridad y salud.

Retire el tapón protector (1) de la rosca de la válvula ubicada en la parte posterior de éste.



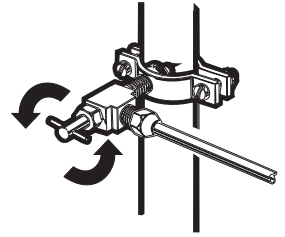
Coloque la tuerca de compresión y la férula al final de la tubería. Inserte la tubería en la válvula de conexión tan adentro como le sea posible. Apriete mientras sostiene la tubería.



Apriete el tubo de conexión (casa) al sujetador de la parte trasera del refrigerador. Primero afloje el tornillo que sostiene el sujetador. Después, inserte el tubo de conexión de casa en el orificio. Finalmente, vuelva a apretar el tornillo.

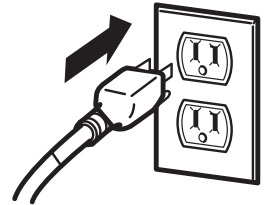
## 10. ABRA LA VÁLVULA DE PASO

Apriete todas las conexiones que tengan fugas. Vuelva a poner la cubierta de acceso al compresor.



## 11. CONECTE EL REFRIGERADOR

Arregle la tubería de agua de tal manera que ésta no pueda vibrar con el refrigerador o la pared. Empuje el refrigerador hacia la pared.



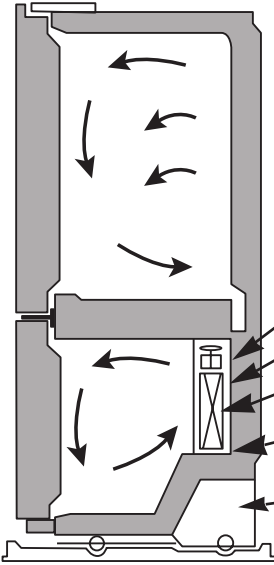
## 12. ENCIENDA LA FÁBRICA DE HIELO

Accione el interruptor de la fábrica de hielo a la posición **ON** (encendido). La fábrica de hielo no empezará a operar hasta que alcance su temperatura de operación de 15 °F (-9 °C) o menor. Comenzará su operación automática si el interruptor se encuentra en la posición **I** (Encendido).

## SONIDOS NORMALES

Su nuevo refrigerador puede hacer ruidos que su viejo refrigerador no hacía; como estos sonidos son nuevos para Ud., puede ser que se preocupe. La mayoría de los sonidos nuevos son normales. Superficies duras, como el piso, las paredes y los gabinetes, pueden hacer que los sonidos parezcan más fuertes de lo que son en realidad. A continuación se describen los tipos de sonidos y qué puede causarlos.

- El temporizador del ciclo de deshielo hará un sonido de "click" cuando el ciclo automático de deshielo comience y termine. Además, el Control del Termostato (o Control del Refrigerador, dependiendo del modelo), emitirá un sonido de "click" cuando comience y termine el ciclo de refrigeración.



- Se puede escuchar un cascabeleo, el cual es debido al flujo del refrigerante, la tubería de agua u objetos colocados en la parte superior del refrigerador.

- Su refrigerador está diseñado para funcionar eficientemente para conservar sus alimentos a la temperatura deseada y usando la mínima cantidad de energía posible. El compresor de alta eficiencia y los ventiladores pueden causar que su nuevo refrigerador funcione por períodos de tiempo más largos que su refrigerador viejo y Ud. puede escuchar un sonido pulsante o agudo que proviene de estos componentes.

- Puede que Ud. escuche el motor del ventilador del evaporador circulando el aire a través de los compartimentos del refrigerador y del congelador. Es posible que aumente la velocidad del ventilador cuando Ud. abra la puerta (debido a que entra calor al refrigerador). El agua que gotea durante un ciclo de deshielo, puede causar ruido de goteo.

- Al final de cada ciclo, Ud. puede escuchar un goteo debido al flujo de líquido refrigerante en su refrigerador.
- La contracción y expansión de las paredes internas pueden causar un ligero sonido de estallido.

- El agua que gotea durante un ciclo de deshielo, puede causar ruido de goteo.

- Ud. puede escuchar aire forzado sobre el condensador causado por el ventilador del condensador.

- Ud. puede escuchar agua corriendo hacia la bandeja colectora durante el ciclo de descongelación.

- Debido al diseño para el bajo consumo de energía del refrigerador, los abanicos permanecerán apagados, durante el tiempo en que el interruptor de la puerta active la luz interna del compartimento.

Problema	Posibles Causas	Soluciones
<b>EL REFRIGERADOR NO ENCIENDE</b>	<ul style="list-style-type: none"> <li>• Está conectado el enchufe.</li> <li>• Se ha fundido un fusible o el circuito de electricidad tiene fallas.</li> <li>• El refrigerador se encuentra en el ciclo de descongelación.</li> </ul>	<ul style="list-style-type: none"> <li>• Conecte firmemente el enchufe en un tomacorriente con el voltaje adecuado.</li> <li>• Reemplace el fusible o haga revisar el circuito eléctrico.</li> <li>• Espere unos 30 minutos para que el ciclo termine.</li> </ul>
<b>SONIDOS EXTRAÑOS O VIBRACIÓN</b>	<ul style="list-style-type: none"> <li>• El refrigerador no se encuentra firmemente asentado en el piso.</li> </ul>	<ul style="list-style-type: none"> <li>• Necesita ajustar los tornillos niveladores debido a que el piso está débil o no uniforme. Vea la sección de <b>Instalación</b>.</li> </ul>

## GUÍA DE SOLUCIÓN DE PROBLEMAS

Problema	Posibles Causas	Soluciones
<p><b>LAS LUCES NO ENCIENDEN</b></p>	<ul style="list-style-type: none"> <li>Las luces no funcionan correctamente.</li> </ul>	<ul style="list-style-type: none"> <li>Las luces interiores son LED de iluminación, y la reparación debe ser realizado por un técnico cualificado.</li> </ul>
<p><b>EL COMPRESOR PARECE ESTAR ENCENDIDO POR MUCHO TIEMPO</b></p>	<ul style="list-style-type: none"> <li>El refrigerador que fue reemplazado era un modelo antiguo.</li> <li>La temperatura ambiente está más caliente de lo normal.</li> <li>La puerta se abre muy seguido o se ha almacenado una gran cantidad de alimentos.</li> <li>El refrigerador está enchufado y el control ha sido ajustado correctamente.</li> <li>Las puertas no cierran correctamente.</li> <li>La tubería del condensador está sucia.</li> </ul>	<ul style="list-style-type: none"> <li>Los refrigeradores modernos con mayor capacidad de almacenaje requieren mayor tiempo de operación.</li> <li>El motor seguirá en operación cuando la temperatura ambiente sea alta. El motor puede estar encendido entre un 40% y 80% del tiempo. En condiciones de temperatura alta, el compresor puede funcionar durante largo tiempo.</li> <li>Al agregar comida o abrir la puerta el refrigerador se calienta. Es normal que el refrigerador opere por más tiempo para enfriar los compartimentos (Vea la <b>Guía para Almacenar Alimentos</b>). Para ahorrar energía, tome lo que necesite en una sola ocasión, mantenga la comida ordenada para encontrarla fácilmente y cierre la puerta del refrigerador tan pronto como saque la comida.</li> <li>El refrigerador tardará 24 horas para enfriarse completamente.</li> <li>Empuje las puertas firmemente. Si no se cierran completamente, vea a continuación <b>Las puertas no cierran completamente</b>.</li> <li>Esto evita la transferencia de aire y hace que el motor trabaje por más tiempo. Limpie la tubería del condensador.</li> </ul>
<p><b>LAS PUERTAS NO CIERRAN COMPLETAMENTE</b></p>	<ul style="list-style-type: none"> <li>El refrigerador no está nivelado.</li> <li>Los paquetes de comida están obstruyendo las puertas.</li> <li>El recipiente de hielos, la cubierta de vegetales, los paneles, estantes, contenedores de puertas o recipientes están fuera de posición.</li> <li>Los empaques (sellos) se pegan.</li> <li>El refrigerador se tambalea o parece inestable.</li> <li>Se quitaron las puertas durante la instalación y no se instalaron apropiadamente.</li> </ul>	<ul style="list-style-type: none"> <li>Vea la sección de <b>Instalación</b> para nivelar el refrigerador.</li> <li>Arregle los contenedores de comida para liberar espacio entre las puertas y los estantes.</li> <li>Empuje los contenedores y ponga la cubierta del cajón de vegetales, paneles, estantes y otros contenedores en sus posiciones correctas. Vea la sección <b>Uso del Refrigerador</b>.</li> <li>Limpie los empaques y las superficies que tocan. Use un trapo con un poco de parafina y aplíquelo sobre los empaques.</li> <li>Nivele el refrigerador. Vea la sección de <b>Cierre y Alineación de Puertas</b>.</li> <li>Quite y vuelva a colocar las puertas de acuerdo a la sección de Instalación del Refrigerador.</li> </ul>
<p><b>HAY CRISTALES DE HIELO EN LA COMIDA</b></p>	<ul style="list-style-type: none"> <li>No se ha cerrado correctamente la puerta.</li> <li>La puerta se abre frecuentemente.</li> </ul>	<ul style="list-style-type: none"> <li>Vea <b>Las puertas no cierran completamente</b> arriba mencionada.</li> <li>Cuando la puerta se abre, el aire tibio y húmedo entra en el congelador, provocando la humedad y cristales de hielo.</li> </ul>

## GUÍA DE SOLUCIÓN DE PROBLEMAS

Problema	Posibles Causas	Soluciones
<b>EL HIELO TIENE SABOR Y OLOR EXTRAÑOS</b>	<ul style="list-style-type: none"> <li>• La fábrica de hielos ha sido instalada recientemente.</li> <li>• El hielo ha sido almacenado por mucho tiempo.</li> <li>• La comida no se ha empacado bien en cada compartimento.</li> <li>• El suministro de agua contiene minerales tales como el sulfuro.</li> <li>• El interior del refrigerador necesita limpieza.</li> <li>• El recipiente de hielos necesita limpieza.</li> </ul>	<ul style="list-style-type: none"> <li>• No utilice los primeros hielos que se produzcan.</li> <li>• Deshágase del hielo viejo y haga una nueva provisión.</li> <li>• Vuelva a envolver la comida, ya que los olores se pueden transferir al hielo si la comida no está bien empacada.</li> <li>• Tal vez necesite instalar un filtro de agua para eliminar los problemas de olores y sabores.</li> <li>• Vea la sección de <b>Cuidado de su Refrigerador</b>.</li> <li>• Vacíe el recipiente y tire los cubos viejos.</li> </ul>
<b>HAY AGUA EN EL RECIPIENTE DE DRENAJE</b>	<ul style="list-style-type: none"> <li>• El refrigerador se está descongelando.</li> <li>• Está más húmedo que lo normal.</li> </ul>	<ul style="list-style-type: none"> <li>• El agua se evaporará. Es normal que el agua caiga en el recipiente de drenaje.</li> <li>• Puede que el agua que se encuentra en el recipiente tarde en evaporarse. Es normal cuando el clima está caliente y húmedo.</li> </ul>
<b>EL REFRIGERADOR HACE RUIDO</b>	<ul style="list-style-type: none"> <li>• Los sonidos son normales en su refrigerador.</li> </ul>	<ul style="list-style-type: none"> <li>• Vea la sección <b>Sonidos Normales</b>.</li> </ul>
<b>LA FÁBRICA DE HIELO NO PRODUCE HIELO O LO FABRICA LENTAMENTE</b>	<ul style="list-style-type: none"> <li>• La temperatura del congelador está suficientemente fría para producir hielo.</li> <li>• La puerta se dejó abierta.</li> </ul>	<ul style="list-style-type: none"> <li>• Espere 24 horas para producir hielo. Vea <b>Ajuste de los Controles</b>.</li> <li>• Verifique si hay algo que obstruya el cierre de la puerta.</li> </ul>
<b>LOS CUBOS FABRICADOS SON MUY PEQUEÑOS</b>	<ul style="list-style-type: none"> <li>• Se seleccionó el tamaño más pequeño de cubos.</li> <li>• Se ha obstruido la válvula que conecta al refrigerador con la tubería de agua.</li> </ul>	<ul style="list-style-type: none"> <li>• Seleccione un tamaño mayor para los hielos.</li> <li>• Llame a un plomero para limpiar la válvula.</li> </ul>
<b>LAS PUERTAS SON DIFÍCILES DE ABRIR</b>	<ul style="list-style-type: none"> <li>• Los empaques (sellos) están sucios o pegajosos.</li> <li>• La puerta se vuelve a abrir tan pronto como usted la cierra.</li> </ul>	<ul style="list-style-type: none"> <li>• Limpie los empaques y las superficies que tocan. Utilice un trapo con parafina y aplíquelo sobre los empaques.</li> <li>• Cuando usted abre la puerta, el aire a alta temperatura entra en el refrigerador. Cuando este aire se enfría rápidamente ocupa un menor volumen y crea un vacío. Si es difícil abrir, espere 5 minutos, luego verifique.</li> </ul>
<b>LA FÁBRICA DE HIELO NO FUNCIONA</b>	<ul style="list-style-type: none"> <li>• La fábrica de hielo está apagada.</li> <li>• El suministro de agua se ha cortado o no está conectado.</li> <li>• La temperatura del congelador está tibia.</li> <li>• Los cubos de hielo fabricados apagan la fábrica de hielos.</li> </ul>	<ul style="list-style-type: none"> <li>• Encienda la fábrica de hielo (posición I).</li> <li>• Vea la sección <b>Cómo Conectar la Tubería de Agua</b>.</li> <li>• Espere 24 horas para que el congelador alcance su temperatura ideal.</li> <li>• Nivele los cubos a mano.</li> </ul>

## GUÍA DE SOLUCIÓN DE PROBLEMAS

Problema	Posibles Causas	Soluciones
<p><b>LA TEMPERATURA ESTÁ MUY CALIENTE O SE HA FORMADO HUMEDAD EN EL INTERIOR</b></p>	<ul style="list-style-type: none"> <li>• Las ventilas de aire están bloqueadas. El aire frío circula desde el congelador hacia el refrigerador y regresa a través de las ventilas que dividen estas secciones.</li> <li>• Las puertas se abren frecuentemente.</li> <li>• El control del refrigerador no ha sido ajustado correctamente para las condiciones de la habitación.</li> <li>• Una cantidad grande de alimento acaba de agregarse al compartimento del refrigerador.</li> </ul>	<ul style="list-style-type: none"> <li>• Localice las ventilas usando su mano para revisar el flujo de aire y mueva los paquetes que bloqueen las ventilas y eviten el flujo de aire.</li> <li>• Cuando las puertas se abren, el aire tibio y húmedo entra al refrigerador. Mientras más tiempo estén abiertas, mayor aire tibio y húmedo entrará al refrigerador, lo que provoca la formación de humedad. Para mantener el refrigerador frío, tome lo que necesite de una sola vez y mantenga la comida organizada para que sea más fácil encontrarla y cierre la puerta tan pronto pueda.</li> <li>• Espere 24 horas para estabilizar la temperatura. Si la temperatura es demasiado fría o caliente, mueva el control un nivel a la vez, hasta llegar a la temperatura deseada y espere 1 día.</li> <li>• Al agregar comida al refrigerador, éste se calienta. Puede tomar algunas horas en que el refrigerador regrese a su temperatura normal.</li> </ul>
<p><b>LA TEMPERATURA ESTÁ MUY CALIENTE O SE HA FORMADO HUMEDAD EN EL INTERIOR</b></p>	<ul style="list-style-type: none"> <li>• La comida no se ha empacado bien en cada compartimento.</li> <li>• No se ha cerrado correctamente la puerta.</li> <li>• El clima está húmedo.</li> <li>• El ciclo de auto-descongelación ha terminado.</li> </ul>	<ul style="list-style-type: none"> <li>• Envuelva la comida firmemente y antes de almacenar comida seque los compartimentos para evitar acumulación de humedad. Si es necesario, envuelva la comida de acuerdo a la sección <b>Guía para Almacenar Alimentos</b>.</li> <li>• Vea <b>Las puertas no cierran completamente</b>.</li> <li>• En climas húmedos, el aire contiene humedad, la cual se introduce al refrigerador cuando las puertas son abiertas.</li> <li>• Es normal que se formen gotas de agua en la pared trasera después de completar un ciclo de descongelación.</li> </ul>

# SMART DIAGNOSIS™ (En algunos modelos)



En caso de experimentar algún problema con su refrigerador, podrá transmitir datos a través de su teléfono al centro de servicios de LG. Éste le otorgará la posibilidad de hablar directamente con nuestros técnicos especialistas.

El técnico graba los datos transmitidos desde su máquina y los utiliza para analizar el problema, ofreciendo un diagnóstico rápido y eficaz.

Si experimenta problemas con su refrigerador, llame al centro de servicios de LG. Únicamente utilice la función Smart Diagnosis™ (Diagnóstico Inteligente) cuando el representante del centro de atención al cliente de LG le indique hacerlo. Los sonidos de transmisión que oírán son normales y suenan de forma parecida a un equipo de fax. La función de Smart Diagnosis™ (Diagnóstico Inteligente) no puede ser activada a menos que el refrigerador esté conectado a la energía eléctrica. Si el refrigerador no se puede encender, la solución del problema deberá llevarse a cabo sin utilizar el Smart Diagnosis™ (Diagnóstico Inteligente).

## Uso de Smart Diagnosis™ (Diagnóstico Inteligente)

Primero, comuníquese al centro de servicios de LG.

Únicamente utilice la función Smart Diagnosis™ (Diagnóstico Inteligente) cuando el representante del centro de atención al cliente de LG le indique hacerlo.

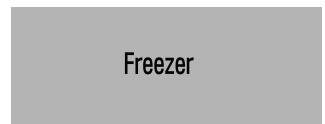
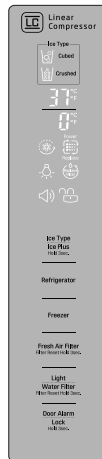
1. Bloquee la pantalla. Para bloquear la pantalla, mantenga pulsado el botón **Door Alarm / Lock** por tres segundos. (Si la pantalla ha sido bloqueada por más de cinco minutos, debe desactivar el bloqueo y luego volver a activarlo).



2. Abra la puerta derecha del refrigerador.
3. Mantenga el micrófono de su teléfono en frente del altavoz que se encuentra ubicado en la bisagra derecha de la puerta del refrigerador. Siga este paso cuando así se lo indique el centro de atención al cliente.



4. Mantenga pulsado el botón Freezer (Temperatura del congelador) por tres segundos, mientras continúa manteniendo su teléfono frente al altavoz.



5. Tras escuchar tres pitidos, suelte el botón Freezer Temp (Temperatura del congelador).
6. Mantenga el teléfono en su sitio hasta que haya terminado la transmisión de tonos. Esto tarda unos 15 segundos, y en la pantalla aparecerá el recuento de tiempo. Una vez que haya analizado el recuento del tiempo y que los tonos se hayan detenido, reanude su conversación con el técnico. Éste le podrá ayudar a utilizar la información transmitida para el análisis.

### !NOTA

- Para obtener mejores resultados, no mueva el teléfono mientras se estén transmitiendo los tonos
- Si el técnico del centro de atención al cliente no puede grabar con precisión los datos, probablemente le pida que lo intente de nuevo.

### !NOTA

- Para otros países busque el teléfono de servicio técnico en la hoja de garantía anexa.



# GARANTÍA LIMITADA

LG ELECTRONICS U.S.A., INC.  
REFRIGERADOR LG GARANTÍA LIMITADA - U.S.A.

**AVISO DE ARBITRAJE: ESTA GARANTÍA LIMITADA CONTIENE UNA CLÁUSULA DE ARBITRAJE QUE LE DEMANDA A USTED Y A LG RESOLVER CONFLICTOS A TRAVÉS DE UN ARBITRAJE VINCULANTE EN LUGAR DE HACERLO EN LA CORTE, A MENOS QUE USTED DECIDA NO PARTICIPAR. EN EL ARBITRAJE NO ESTÁN PERMITIDAS LAS ACCIONES COLECTIVAS NI LOS JUICIOS CON JURADO. POR FAVOR, VEA A CONTINUACIÓN LA SECCIÓN TITULADA "PROCEDIMIENTO PARA RESOLVER CONFLICTOS".**

En caso de que su refrigerador LG ("Producto") presente alguna falla por defectos de materiales o de fabricación bajo uso apropiado y normal durante el período de garantía establecido más abajo, el mismo será reparado o reemplazado por LG Electrónicos ("LG"), a su opción. Esta garantía limitada es válida únicamente para el comprador final original del producto, y únicamente cuando el producto ha sido comprado y utilizado dentro de los Estados Unidos, incluidos los territorios norteamericanos.

PERÍODO DE GARANTÍA			
Refrigerador/Congelador	Sistema Sellado (Condensador, Filtro desecante, Tubo Conector y Evaporador)	Compresor	
Un (1) año a partir de la fecha original de compra	Cinco (5) años a partir de la fecha original de compra	Cinco (5) años a partir de la fecha original de compra	Sólo Compresor Lineal / Inversor : Partes sólo para los años 6-10 desde la fecha original de compra. (La mano de obra se le cargará al consumidor)
Piezas y mano de obra (solo piezas internas/funcionales)	Piezas y mano de obra	Piezas y mano de obra	

- Los productos y las piezas de repuesto están garantizados durante el tiempo restante del período original de garantía o noventa (90) días, lo que resulte mayor.
- Los productos y las piezas de repuesto pueden ser nuevos, reparados, reacondicionados, o reconstruidos por la fábrica.
- Es necesario presentar prueba de la compra minorista especificando el modelo del producto y la fecha de compra para obtener el servicio de garantía bajo esta garantía limitada.

**Salvo lo prohibido por la ley, toda garantía de comercialización o idoneidad implícita, para un propósito particular en el producto, está limitada a la duración de la garantía arriba expresada. Bajo ninguna circunstancia deberá LG o sus distribuidores/representantes ser responsable por cualquier daño indirecto, incidental, consecuente, especial, o punitivo, lo cual incluye pero no se limita a, pérdida de fondos del comercio, ganancias perdidas, interrupción del trabajo, deterioro de otros bienes, costo de remover y reinstalar el producto, pérdida de uso, o cualquier otro daño ya sea basado en contrato, perjuicio, u otros. La responsabilidad total de LG, en caso exista, no excederá el precio que usted pagó por adquirir el producto.**

Algunos estados no permiten la exclusión o limitación de daños incidentales o emergentes, o limitaciones a la duración de la garantía implícita, por lo que la exclusión o limitación anteriormente mencionada podrían no corresponder en su caso. Esta garantía limitada le otorga derechos legales específicos y es posible que usted cuente con otros derechos que varían según el estado.

## ESTA GARANTÍA LIMITADA NO CUBRE LO SIGUIENTE:

- Viajes del servicio técnico para entregar, buscar o instalar el producto, instruir al cliente sobre la operación del mismo, corregir el cableado o las reparaciones/instalaciones no autorizadas.
- Daño o fallo del producto al operar durante fallas e interrupciones del suministro eléctrico, o resultado de un servicio eléctrico inadecuado.
- Daños o fallas causadas por tuberías de agua rotas o con fugas, tuberías de agua congeladas, líneas de desagüe restringidas, suministro de agua inadecuado o interrumpido, o suministro de aire inadecuado.
- Daños resultantes de operar el producto en una atmósfera corrosiva o contraria a las instrucciones detalladas en el manual del propietario del producto.
- Daños o fallos del producto causados por accidentes, pestes y alimañas, rayos, viento, incendio, inundaciones, hechos de fuerza mayor, o cualquier otra causa fuera del control de LG.
- Daños o fallas causados por modificaciones o alteraciones no autorizadas, o si se usa para otro fin que no sea el previsto.
- Daños o fallos resultantes de mal uso, abuso, instalación, reparación o mantenimiento incorrectos. Una reparación incorrecta incluye el uso de piezas no autorizadas, aprobadas o especificadas por LG. La instalación o el mantenimiento inadecuado incluye aquellos contrarios a lo especificado en el manual del usuario del producto.
- Daños o fallos causados por corriente o voltaje eléctrico incorrecto, o por códigos de fontanería.
- Daños o fallos causados por el transporte y el manejo, incluye rayas, muescas, astillados y/u otros daños al acabado del producto, a menos que tales daños se informen dentro del plazo de una (1) semana de la entrega.
- Daños o artículos faltantes a productos comprados con descuento, con la caja abierta o que hayan estado en exhibición.
- Productos reacondicionados o cualquier producto vendido con los avisos "En el estado actual", "En el sitio actual", "Con todos sus defectos" o similares.
- Productos cuyos números de serie originales hayan sido retirados, alterados o no se puedan determinar fácilmente.
- Aumentos en los costos de los servicios públicos y otros gastos adicionales de dichos servicios.
- Cualquier ruido asociado con la operación normal.
- Uso de accesorios (Ej, filtros de agua, etc.), componentes o productos de limpieza consumibles que no estén autorizados por LG.
- Reemplazo de focos, filtros o cualquier parte consumible.
- Cuando el producto se use de otra forma que no sea uso doméstico usual y normal (p. ej., uso comercial o industrial, en oficinas e instalaciones recreativas o vehículos) o uso contrario a las instrucciones detalladas en el manual del propietario del producto.
- Costos asociados con el retiro y la reinstalación de su producto para realizar reparaciones.
- Estantes, bandejas de puerta, cajones, manijas y accesorios, a excepción de las partes internas/funcionales cubiertas bajo esta garantía limitada.

**El costo de la reparación o el reemplazo en estas circunstancias excluidas estará a cargo del consumidor. PARA OBTENER SERVICIO EN GARANTÍA E INFORMACIÓN ADICIONAL llame al 1-800-243-0000 y seleccione la opción apropiada desde el menú o visite nuestro sitio web en <http://www.lg.com> o por correo: LG Electronics Customer Service P.O. Box 240007 Huntsville, AL 35813 ATTN: CIC**

# GARANTÍA LIMITADA

## PROCEDIMIENTO PARA RESOLVER CONFLICTOS:

TODOS LOS CONFLICTOS ENTRE USTED Y LG QUE SURJAN FUERA DE O RELACIONADOS DE ALGUNA MANERA CON ESTA GARANTÍA LIMITADA O CON EL PRODUCTO, SE RESOLVERÁN EXCLUSIVAMENTE A TRAVÉS DE UN ARBITRAJE VINCULANTE Y NO EN UNA CORTE DE JURISDICCIÓN GENERAL. ARBITRAJE VINCULANTE SIGNIFICA QUE USTED Y LG RENUNCIAN AL DERECHO DE UN JUICIO CON JURADO Y A REALIZAR O PARTICIPAR EN UNA DEMANDA COLECTIVA.

**Definiciones.** Para el propósito de esta sección, las referencias a "LG" significan: LG Electronics U.S.A., Inc., sus empresas matrices, subsidiarias y filiales y cada uno de sus directivos, directores, empleados, agentes, beneficiarios, predecesores en interés, sucesores, cesionarios y proveedores; las referencias a "conflicto" o "reclamación" incluirán cualquier conflicto, reclamo o controversia de cualquier tipo, sin importar (ya sea basado en contrato, agravio, estatuto, regulación, ordenanza, fraude, falsa representación o cualquier teoría legal o equitativa) que surja de o esté relacionada con cualquier forma de venta, condición o desempeño del producto o de esta Garantía Limitada.

**Aviso de disputa.** En caso de que usted desee iniciar un procedimiento de arbitraje, primero debe notificar a LG por escrito al menos 30 días antes de iniciar el arbitraje enviando una carta a LG a LG Electronics, USA, Inc. Atención: Legal Department-Arbitration 1000 Sylvan Ave, Englewood Cliffs 07632. Usted y LG aceptan participar en discusiones de buena fe en un intento de resolver su reclamo de manera amistosa. En la carta debe proporcionar su nombre, dirección y número de teléfono; identificar el producto que es objeto de la reclamación; y describir la naturaleza del reclamo y el remedio que busca. Si usted y LG no pueden resolver la disputa dentro de 30 días, cualquiera de las partes puede proceder a presentar una demanda de arbitraje.

**Acuerdo de arbitraje vinculante y renuncia de demanda colectiva.** En caso de no resolver la disputa durante el período de 30 días después de enviar una notificación por escrito a LG, Usted y LG se comprometen a resolver cualquier reclamo entre nosotros, solamente a través de arbitraje vinculante sobre una base individual, a menos que usted se excluya, conforme a lo dispuesto a continuación. Cualquier conflicto entre usted y LG no estarán combinados o consolidados con una controversia relacionada con cualquier otro producto o reclamo de otra persona o entidad. Más específicamente y sin perjuicio de lo anterior, no procederá bajo ninguna circunstancia cualquier disputa entre usted y LG como parte de una acción colectiva o representativa. En lugar del arbitraje, cualquiera de las partes podrá iniciar una acción individual en la corte de reclamos menores, pero tales acciones en la corte de reclamos menores no podrán ser realizadas en una acción colectiva o representativa.

**Normas y procedimientos de arbitraje.** Para comenzar con el arbitraje de un reclamo, usted o LG deben realizar una demanda escrita para arbitraje. El arbitraje será administrado por la Asociación Americana de Arbitraje (AAA) y se llevará a cabo ante un árbitro único bajo las Normas de Arbitraje del Consumidor de la AAA, que tienen efecto al momento de inicio del arbitraje (en adelante "Normas de la AAA") y bajo los procedimientos establecidos en esta sección. Las Normas de la AAA están disponibles en línea en [www.adr.org/consumer](http://www.adr.org/consumer). Envíe una copia de su solicitud de arbitraje por escrito, así como una copia de esta disposición, a la AAA de la forma descrita en las Normas de la AAA. También debe enviar una copia de su solicitud por escrito a LG en LG Electronics, USA, Inc. Atención: Legal Department-Arbitration 1000 Sylvan Ave, Englewood Cliffs 07632. Si hay un conflicto entre las Normas de la AAA y las reglas establecidas en esta sección, prevalecerán dichas reglas de esta sección. Esta disposición de arbitraje se rige por la Ley Federal de Arbitraje. El juicio se puede introducir en el laudo arbitral en cualquier tribunal de jurisdicción competente. Todos son temas para que el árbitro tome sus decisiones, excepto aquellos asuntos relativos al alcance y aplicabilidad de la cláusula de arbitraje y de la capacidad de arbitraje de la controversia para que el tribunal decida. El árbitro se registrará por los términos de esta disposición.

**Legislación vigente.** La legislación del estado de su residencia regirá esta Garantía Limitada, así como todas las disputas entre nosotros, salvo que sea invalidada o inconsistente con leyes federales aplicables.

**Tarifas / Costos.** Usted no debe pagar ninguna tarifa para comenzar un arbitraje. Al recibir su solicitud de arbitraje por escrito, LG pagará todos los gastos administrativos rápidamente a la AAA, a menos que usted solicite más de \$25,000.00 por daños, en cuyo caso el pago de estos gastos se regirá por las Normas de la AAA. Salvo disposición contraria prevista en el presente documento, LG pagará a la AAA todos los gastos documentales, administrativos y de arbitraje para cualquier arbitraje iniciado, de conformidad con las Normas de la AAA y esta disposición de arbitraje. Si usted prevalece en el arbitraje, LG pagará los honorarios y gastos de sus abogados, siempre y cuando sean razonables, considerando factores que incluyen, entre otros, el monto de la compra y el monto del reclamo. No obstante lo anterior, si la ley aplicable permite una adjudicación de honorarios y gastos razonables de abogados, un árbitro puede otorgarlos en la misma medida que lo haría un tribunal. Si el árbitro considera que la sustancia de su reclamo o la reparación solicitada en la demanda es frívola o se utiliza para un propósito inadecuado (calificado según las normas establecidas en la Norma Federal de Procedimiento Civil 11 (b)), el pago de todos los honorarios de arbitraje se regirá por las Normas de la AAA. En tal situación usted se compromete a reembolsar a LG todos los fondos erogados previamente por ella, cuyo pago es, por otra parte, su obligación, según las Normas de la AAA. Salvo disposición contraria, LG renuncia a cualquier derecho que pudiera tener para solicitarle los honorarios y gastos de sus abogados, si LG prevalece en el arbitraje.

**Audiencias y ubicación.** Si su reclamo es por \$25,000 o menos, usted puede optar que el arbitraje sea realizado únicamente sobre la base de: (1) documentos presentados al árbitro, (2) a través de una audiencia telefónica o (3) por una audiencia en persona, según lo establecido por las Normas de la AAA. Si su reclamo excede \$25,000, el derecho a una audiencia estará determinado por las Normas de la AAA. Cualquier audiencia de arbitraje en persona se realizará en un lugar dentro del distrito judicial federal en el cual resida, a menos que ambos acuerden otra ubicación o estemos de acuerdo con el arbitraje telefónico.

**Exclusión.** Usted puede quedarse fuera de este procedimiento de resolución de la disputa. Si se excluye, ni usted ni LG pueden solicitar al otro que participe en un procedimiento de arbitraje. Para excluirse usted debe enviar una notificación a LG, en un lapso de hasta 30 días continuos, contados a partir de la fecha de la primera compra del consumidor del producto, ya sea por: (i) el envío de un correo electrónico a [optout@lge.com](mailto:optout@lge.com) con el siguiente Asunto: "Exclusión del arbitraje" o (ii) llamada al 1-800-980-2973. Debe incluir en el correo electrónico de exclusión o suministrar por teléfono: (a) su nombre y dirección; (b) la fecha en la cual el producto fue comprado; (c) el nombre o el número del modelo del producto; y (d) el número del serial (el número del serial puede ser hallado (i) en el producto, o (ii) en la dirección de <https://www.lg.com/us/support/repair-service/schedule-repair-continued> al hacer clic en "Find My Model & Serial Number").

Sólo puede excluirse del procedimiento de resolución de conflictos en la forma descrita anteriormente (es decir, por correo electrónico o por teléfono); ninguna otra forma de notificación será efectiva para hacerlo. Excluirse de este procedimiento de resolución de controversias no afectará de ninguna manera la cobertura de la Garantía Limitada, por lo que usted continuará disfrutando de todos sus beneficios. Si conserva este producto y no se excluye, usted acepta todos los términos y condiciones de la cláusula de arbitraje descrita anteriormente.





LG Customer Information Center

<b>1-800-243-0000</b>	USA, Consumer User
<b>1-888-865-3026</b>	USA, Commercial User
<b>1-888-542-2623</b>	CANADA

Register your Product Online!

[www.lg.com](http://www.lg.com)