

# DRYER INSTALLATION INSTRUCTIONS

737 mm (29") Wide Models – Gas & Electric

# INSTRUCTIONS D'INSTALLATION DU SECHE-LINGE

Modèles de 737 mm (29") de largeur – À gaz et Électrique

# INSTRUCCIONES DE INSTALACIÓN DE LA SECADORA

Modelos de 737 mm (29") – A gas y eléctrica

# ISTRUZIONI DI INSTALLAZIONE DELL'ASCIUGATRICE

Modelli da 737 mm (29") – A gas ed elettrici

# TROCKNER – INSTALLATIONSANWEISUNGEN

737 mm (29 Zoll) breite Modelle – Gas und Elektro

## TABLE OF CONTENTS (Original Instructions)

DRYER SAFETY .....	2	VENTING.....	13
SPECIFICATIONS.....	4	MAKE GAS CONNECTION.....	16
INSTALLATION REQUIREMENTS.....	5	CONNECT VENT .....	17
ELECTRIC DRYER POWER HOOKUP.....	7	LEVEL DRYER.....	17
INSTALL LEVELING LEGS.....	8	POWER CORD INSTALLATION.....	18
GAS DRYER POWER HOOKUP.....	8	COMPLETE INSTALLATION CHECKLIST .....	18
ELECTRICAL REQUIREMENTS.....	10	REVERSE DOOR SWING (OPTIONAL).....	19
ELECTRICAL CONNECTION .....	10	TROUBLESHOOTING.....	21

## TABLE DES MATIÈRES (Instructions d'origine)

SÉCURITÉ DU SECHE-LINGE .....	22	L'ÉVACUATION.....	34
CARACTÉRISTIQUES.....	24	RACCORDEMENT AU GAZ.....	38
EXIGENCES D'INSTALLATION .....	25	RACCORDEMENT DU CONDUIT D'ÉVACUATION .....	38
RACCORDEMENT À L'ALIMENTATION ÉLECTRIQUE DU SECHE-LINGE ÉLECTRIQUE.....	28	RÉGLAGE DE L'APLOMB DU SECHE-LINGE.....	39
INSTALLATION DES PIEDS DE NIVELLEMENT .....	29	INSTALLATION DU CORDON D'ALIMENTATION .....	39
RACCORDEMENT D'UN SECHE-LINGE À GAZ.....	29	ACHEVER L'INSTALLATION – LISTE DE VÉRIFICATION.....	40
SPÉCIFICATIONS ÉLECTRIQUES.....	31	INVERSION DU SENS DE L'OUVERTURE DE LA PORTE (FACULTATIF).....	41
RACCORDEMENT ÉLECTRIQUE.....	31	DÉPANNAGE .....	43

## ÍNDICE (Instrucciones originales)

SEGURIDAD DE LA SECADORA .....	44	CONEXIÓN DEL SUMINISTRO DE GAS.....	60
ESPECIFICACIONES .....	46	CONEXIÓN DEL DUCTO DE ESCAPE.....	61
REQUISITOS DE INSTALACIÓN .....	47	NIVELACIÓN DE LA SECADORA.....	61
CONEXIÓN DE ENERGÍA DE LA SECADORA ÉLECTRICA.....	50	INSTALACIÓN DEL CABLE ELÉCTRICO .....	62
INSTALACIÓN DE LAS PATAS NIVELADORAS.....	51	LISTA DE CONTROL DE LA INSTALACIÓN TERMINADA .....	63
CONEXIÓN DE ENERGÍA DE LA SECADORA A GAS.....	52	CAMBIO DEL SENTIDO DE ABERTURA DE LA PUERTA (OPCIONAL).....	63
REQUISITOS ELÉCTRICOS .....	53	SOLUCIÓN DE PROBLEMAS.....	66
CONEXIÓN ÉLECTRICA.....	54		
VENTILACIÓN .....	57		

## SOMMARIO (Istruzioni originali)

SICUREZZA DELL'ASCIUGATRICE.....	67	COLLEGAMENTO ELETTRICO.....	75
SPECIFICHE.....	69	SISTEMA DI SFIATO .....	78
REQUISITI PER L'INSTALLAZIONE.....	70	COLLEGAMENTO ALL'IMPIANTO A GAS.....	81
ALLACCIAMENTO DELL'ASCIUGATRICE ELETTRICA ALL'ALIMENTAZIONE .....	72	COLLEGAMENTO ALLO SFIATO.....	82
INSTALLAZIONE DEI PIEDINI DI MESSA IN PIANO .....	73	MESSA IN PIANO DELL'ASCIUGATRICE.....	82
ALLACCIAMENTO DELL'ASCIUGATRICE A GAS ALL'ALIMENTAZIONE.....	73	INSTALLAZIONE DEL CAVO DI ALIMENTAZIONE.....	83
REQUISITI ELETTRICI.....	75	COMPILAZIONE DELLA CHECKLIST DI INSTALLAZIONE .....	83
		INVERSIONE DELL'APERTURA DELLO SPORTELLINO (OPZIONALE).....	84
		RISOLUZIONE DEI PROBLEMI.....	86

## INHALTSVERZEICHNIS (Originalanweisungen)

SICHERHEIT DES TROCKNERS.....	87	ENTLÜFTUNGSSYSTEM .....	98
SPEZIFIKATIONEN .....	89	GASANSCHLUSS HERSTELLEN .....	101
INSTALLATIONSANFORDERUNGEN .....	90	ENTLÜFTUNGS ANSCHLIESSEN.....	102
ELEKTROTROCKNER – ELEKTRISCHER ANSCHLUSS .....	92	TROCKNER NIVELLIEREN.....	102
STELLFÜSSE INSTALLIEREN .....	93	INSTALLATION DES NETZKABELS.....	103
GASTROCKNER – ELEKTRISCHER ANSCHLUSS.....	93	KOMPLETTE INSTALLATIONS-CHECKLISTE .....	103
ELEKTRISCHE ANFORDERUNGEN .....	95	TÜRANSCHLAG WECHSELN (OPTIONAL).....	104
ELEKTRISCHER ANSCHLUSS .....	95	FEHLERBEHEBUNG.....	106

## DRYER SAFETY

### Your safety and the safety of others are very important.

We have provided many important safety messages in this manual and on your appliance. Always read and obey all safety messages.



This is the safety alert symbol.

This symbol alerts you to potential hazards that can kill or hurt you and others.

All safety messages will follow the safety alert symbol and either the word “DANGER” or “WARNING.” These words mean:

 **DANGER**

You can be killed or seriously injured if you don't immediately follow instructions.

 **WARNING**

You can be killed or seriously injured if you don't follow instructions.

All safety messages will tell you what the potential hazard is, tell you how to reduce the chance of injury, and tell you what can happen if the instructions are not followed.



### **WARNING - “Risk of Fire”**

- Clothes dryer installation must be performed by a qualified installer.
- Install the clothes dryer according to the manufacturer's instructions and local codes.
- Do not install a clothes dryer with flexible plastic venting materials or flexible metal (foil type) duct. If flexible metal duct is installed, it must be of a specific type identified by the appliance manufacturer as suitable for use with clothes dryers. Flexible venting materials are known to collapse, be easily crushed, and trap lint. These conditions will obstruct clothes dryer airflow and increase the risk of fire.
- To reduce the risk of severe injury or death, follow all installation instructions.
- Save these instructions.



### **CAUTION – RISK OF FIRE/FLAMMABLE MATERIALS**

This is an additional safety alert symbol that alerts you to the risk of fire.

#### **WARNING**

##### **Fire Hazard**

**Failure to follow safety warnings exactly could result in serious injury, death, or property damage.**

**Do not install a booster fan in the exhaust duct.**


**Install all clothes dryers in accordance with the installation instructions of the manufacturer of the dryer.**

## FOR YOUR SAFETY

1. DO NOT USE OR STORE PETROL OR OTHER FLAMMABLE MATERIALS IN THIS APPLIANCE OR NEAR THIS APPLIANCE.
2. DO NOT SPRAY AEROSOLS IN THE VICINITY OF THIS APPLIANCE WHILE IT IS IN OPERATION.
3. DO NOT MODIFY THIS APPLIANCE.

## IMPORTANT SAFETY INSTRUCTIONS

**WARNING:** To reduce the risk of fire, electric shock, or injury to persons when using the dryer, follow basic precautions, including the following:

- Read all instructions before using the dryer. 
  - Keep a minimum clearance of 100 mm (4 in.) between the rear of the dryer and any wall.
  - The operation of this appliance may affect the operation of other types of appliances which take their air supply for safe combustion from the same room. There has to be adequate ventilation to replace exhausted air and thus avoid the back-flow of gases into the room from appliances burning other fuels, including open fires, when operating the tumble dryer. If in doubt, consult the appliance manufacturers.
  - Do not obstruct the air supply to the dryer (see Installation Instructions for minimum clearances).
  - Do not place items exposed to cooking oils in your dryer. Oil-affected items can ignite spontaneously, especially when exposed to heat sources such as in a tumble dryer. The items become warm causing an oxidation reaction in the oil. Oxidation creates heat. If the heat cannot escape, the items can become hot enough to catch fire. Piling, stacking or storing oil-affected items can prevent heat from escaping and so create a fire hazard.
  - If it is unavoidable to dry in the dryer items that have been soiled with substances such as cooking oil, acetone, alcohol, petrol, kerosene, spot removers, turpentine, waxes and wax removers, or that have been contaminated by hair care products, they should be washed in hot water with an extra amount of detergent before being dried in the dryer. These items may give off vapours that could ignite or explode. Such washing will reduce, but not eliminate, the hazard.
  - This appliance is not intended for use by persons (including children under 8 years of age) with reduced physical, sensory or mental capabilities, or lack of experience and knowledge, unless they have been given supervision or instructions concerning use of the appliance by persons responsible for their safety.
  - Cleaning and user maintenance by children must be supervised.
  - Children should be supervised to ensure that they do not play with the appliance.
  - Children less than 3 years of age should be kept away from the appliance unless continuously supervised.
  - The dryer should not be used if industrial chemicals have been used for cleaning.
  - Remove all objects from pockets, such as lighters and matches, before placing items in the dryer.
  - Before the dryer is removed from service or discarded, remove the doors to the drying compartment.
  - Do not reach into the dryer if the drum is moving. A door switch is fitted for your safety.
  - Do not install or store the dryer where it will be exposed to the weather.
  - Do not tamper with controls.
  - Do not continue to use this appliance if it appears to be faulty.
  - Do not repair or replace any part of the dryer or attempt any maintenance unless specifically recommended in the Use and Care Guide. Repairs and servicing should only be carried out by competent service personnel.
  - Do not use fabric softeners or products to eliminate static unless recommended by the manufacturer of the fabric softener or product. Follow their instructions.
  - Clean dryer lint screen before or after each load. Do not operate dryer without lint screen in place.
  - Keep area around the exhaust and inlet openings and adjacent surrounding areas free from the accumulation of lint, dust, and dirt.
  - The interior of the dryer and exhaust vent should be cleaned periodically by qualified service personnel.
  - See “Electrical Requirements” for earthing instructions.
  - Do not dry unwashed items in this dryer.
  - The final part of a tumble dryer cycle occurs without heat (cool down cycle) to ensure that the items are left at a temperature that ensures the items will not be damaged.
  - Items such as foam rubber (latex foam), shower caps, waterproof textiles, rubber backed articles, and clothes or pillows fitted with foam rubber pads must only be dried on a clothesline.
  - If the supply cord is damaged, it must be replaced by the manufacturer or its service agent or a similarly qualified person in order to avoid a hazard.
- WARNING:** Never stop a tumble dryer cycle before the end of the drying cycle unless all items are quickly removed and spread out so that the heat is dissipated.

**SAVE THESE INSTRUCTIONS**



This appliance is marked according to the European directive 2012/19/EU on Waste Electrical and Electronic Equipment (WEEE).

By ensuring this product is disposed of correctly, you will help avoid potential negative consequences for the environment and human health, which could otherwise be caused by inappropriate waste handling of this product.

The symbol on the product, or on the documents accompanying the product, indicates that this appliance may not be treated as household waste. Instead it shall be handed over to the applicable collection point for the recycling of electrical and electronic equipment.

Disposal must be carried out in accordance with local environmental regulations for waste disposal.

For more detailed information about treatment, recovery and recycling of this product, please contact your local city office, your household waste disposal service or the shop where you purchased the product.

### IMPORTANT SAFETY INSTRUCTIONS

When discarding or storing your old clothes dryer, remove the door.

**SAVE THESE INSTRUCTIONS**

---

## SPECIFICATIONS

These units are sold in multiple regions with different requirements for measuring capacity. Below are a few of the valid forms of measure posted on this product:

**Dry Linen Capacity:** A weight measure that reflects a maximum load size that can be loaded into the dryer.

**IEC Capacity:** The capacity measure that represents the maximum capacity of dry linens and textiles which the manufacturer declares can be treated in a specific cycle.

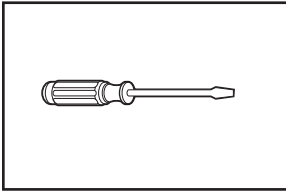
<b>Dry Linen Capacity</b>
15 kg (33 lb)
<b>IEC Capacity</b>
7 kg (15 lb)

# INSTALLATION REQUIREMENTS

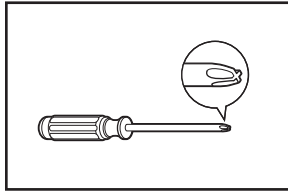
## Tools and Parts

Gather the required tools and parts before starting installation.

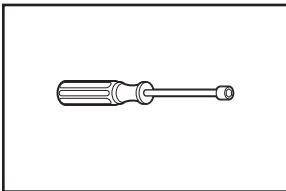
### Tools needed for all installations:



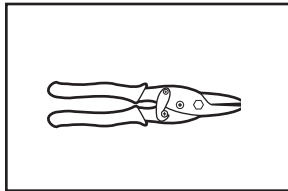
Flat-blade screwdriver



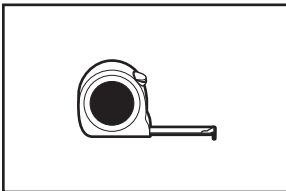
#2 Phillips screwdriver



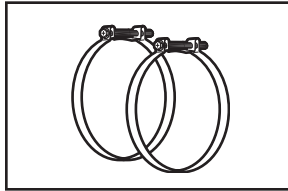
6 mm (1/4") nut driver or socket wrench (recommended)



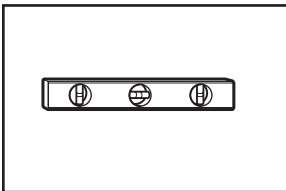
Tin snips (new vent installations)



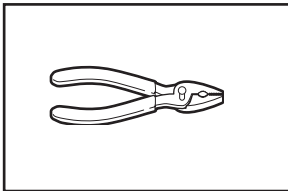
Tape measure



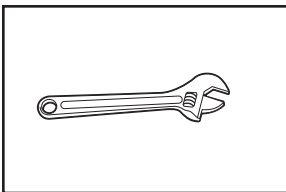
Vent clamps



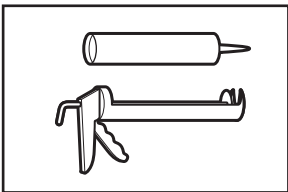
Level



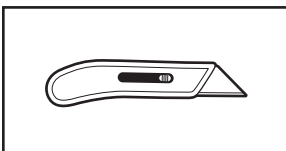
Pliers



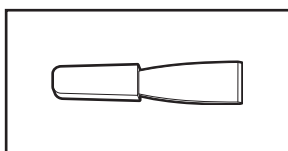
Adjustable wrench that opens to 25 mm (1") or hex-head socket wrench



Caulking gun and compound (for installing new exhaust vent)

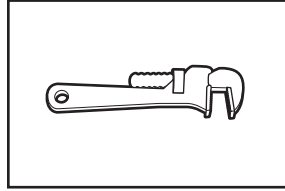


Utility knife

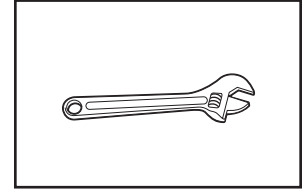


Putty knife

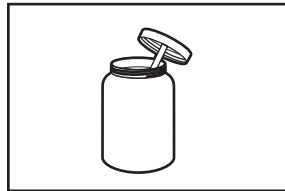
### Tools needed for gas installations:



203 mm or 254 mm (8" or 10") pipe wrench

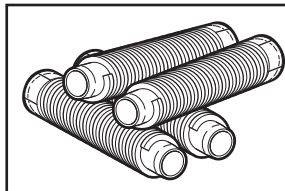


203 mm or 254 mm (8" or 10") adjustable wrench (for gas connections)

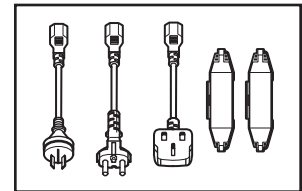


Pipe-joint compound resistant to propane gas

### Parts supplied:



Leveling legs (4)



Plugs and cord lock cover (supplied with some models only)

Parts package is located in dryer drum. Check that all parts are included.

### Parts needed:

Check local codes. Check existing electrical supply and venting. See "Electrical Requirements" and "Venting Requirements" before purchasing parts.

Check code requirements. Some codes limit, or do not permit, installing dryer in garages, closets, mobile homes, or sleeping quarters. Contact your local building inspector.

### Optional Equipment: (Not supplied with dryer)

Refer to your Use and Care Guide for information about accessories available for your dryer.

## Location Requirements

### ⚠ WARNING



#### Explosion Hazard

Keep flammable materials and vapors, such as petrol, away from dryer.

Do not install in a garage.

Failure to do so can result in death, explosion, or fire.

#### You will need:

- A location allowing for proper exhaust installation. See "Venting Requirements."
- A separate 30-amp circuit for electric dryers.
- A separate 15- or 20-amp circuit for gas dryers.
- If you are using power supply cord, a earthed electrical outlet located within 610 mm (2 ft.) of either side of dryer.
- See "Electrical Requirements."
- A sturdy floor to support dryer and a total weight (dryer and load) of 90.7 kg. (200 lbs). The combined weight of a companion appliance should also be considered.
- Level floor with maximum slope of 25 mm (1") under entire dryer. If slope is greater than 25 mm (1"), install Extended Dryer Feet Kit, Part Number 279810. If not level, clothes may not tumble properly and automatic sensor cycles may not operate correctly.

Do not operate your dryer at temperatures below 7°C (45°F). At lower temperatures, the dryer might not shut off at the end of an automatic cycle. Drying times can be extended.

The dryer must not be installed or stored in an area where it will be exposed to water and/or weather.

Check code requirements. Some codes limit, or do not permit, installation of the dryer in garages, closets, mobile homes, or sleeping quarters. Contact your local building inspector.

**NOTE:** No other fuel-burning appliance can be installed in the same closet as a dryer.

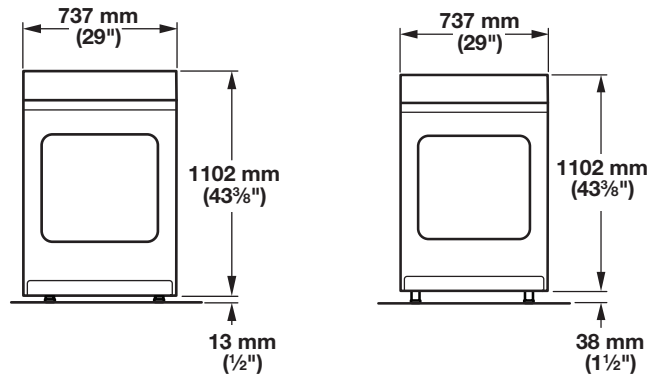
#### Installation clearances:

The location must be large enough to allow the dryer door to open fully.

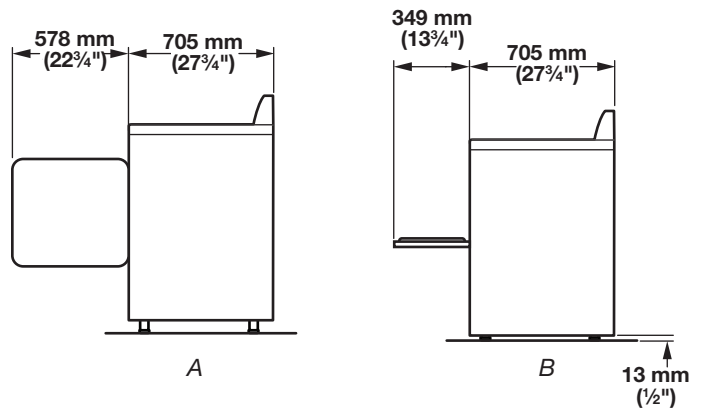
Do not install behind a lockable door, a sliding door, or a door with a hinge on the side opposite to that of the dryer in a way that will restrict the full opening of the dryer door.

Most installations require a minimum 140 mm (5½") clearance behind the dryer for the exhaust vent with elbow. See "Venting Requirements."

## Dryer Dimensions

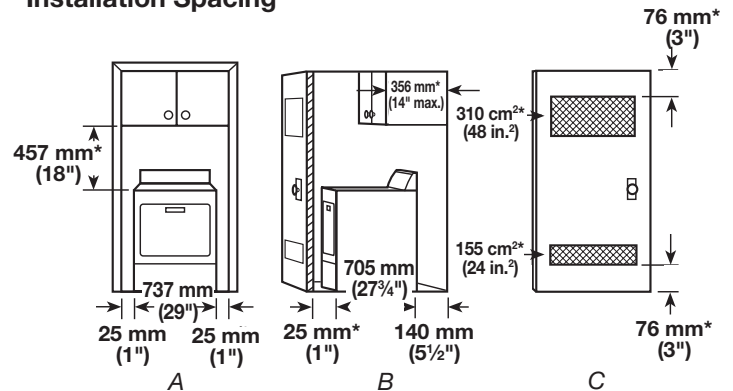


**NOTE:** Leveling legs should be 13 mm (1/2") (to match height of 0.102 m<sup>3</sup> [3.6 cu. ft.] capacity washer) or 38 mm (1½") (to match height of 0.108 m<sup>3</sup> [3.8 cu. ft.] capacity washer).



A. Wide-opening side-swing door  
B. Wide-opening hamper door

## Installation Spacing



A. Recessed area  
B. Side view—closet or confined area  
C. Closet door with vents

\*Required spacing

### Installation spacing for recessed area or closet

The dimensions shown are for the minimum spacing allowed.

- Additional spacing should be considered for ease of installation and servicing.
- Additional clearances might be required for wall, door, and floor moldings.
- Additional spacing of 25 mm (1") on all sides of the dryer is recommended to reduce noise transfer.
- For closet installation, with a door, minimum ventilation openings in the top and bottom of the door are required. Louvered doors with equivalent ventilation openings are acceptable.
- Companion appliance spacing should also be considered.

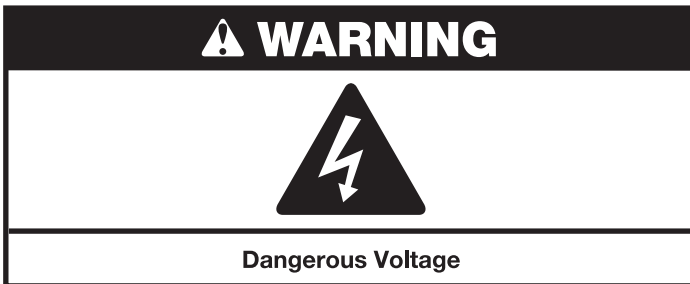
### Mobile home – Additional installation requirements

This dryer is suitable for mobile home installations. The installation must conform with local codes and ordinances.

- Metal exhaust system hardware, available for purchase.
- Special provisions must be made in mobile homes to introduce outside air into the dryer. The opening (such as a nearby window) should be at least twice as large as the dryer exhaust opening.

## ELECTRIC DRYER POWER HOOKUP

### Electrical Requirements

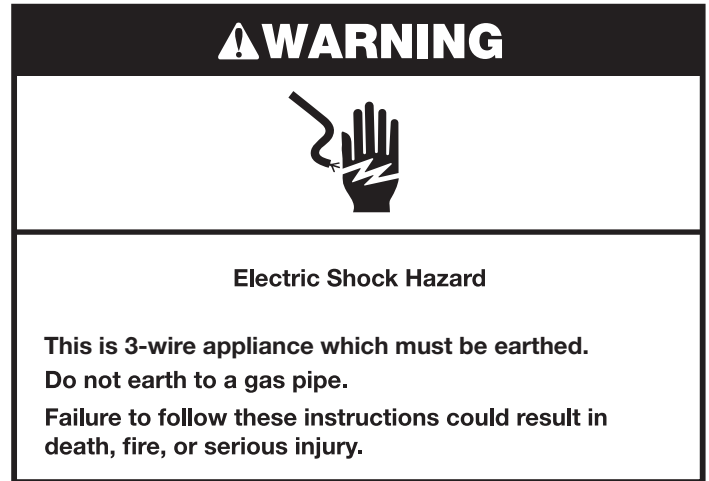


This dryer is supplied without an electric cord and plug. It must be connected by a competent electrician to a single-phase electricity supply at the voltage shown on the dataplate, using a suitable fixed wiring installation in accordance with local and national wiring regulations.

- A 3-wire circular cord of minimum conductor size 4 mm<sup>2</sup> cross-section area should be used.
- A 30A supply fuse should be used, and a switch having a contact separation in both poles that provides full disconnection under over-voltage category III conditions must be incorporated into the fixed wiring in accordance with local wiring regulations. The dryer should be positioned so that the disconnection switch is clearly visible and easily accessible to the user. This disconnection switch also provides the function of an emergency stop control for the user.
- A cord clamp bush is provided on the dryer and should be tightened on completion of wiring. The electrical mains terminals are located behind the small rear access panel (terminal block cover), and connections should be made in accordance with the terminal markings. Remember to replace the terminal access panel (terminal block cover).

**NOTE:** In accordance with the European EMC Directive (2014/30/EU), the maximum electricity supply system impedance to which the electric dryer should be connected is declared to be 0.191 + j0.119 Ohms.

**NOTE:** Electrical safety standards: The manufacturer has chosen compliance with IEC/EN.60335 standards as the most appropriate for this product.



If codes permit and an additional earth bond wire is used, it is recommended that a qualified electrician determine that the earth bond path is adequate.

### Recommended earthing method

It is your responsibility to contact a qualified electrical installer to ensure that the electrical installation is adequate and in conformance with all local codes and ordinances.

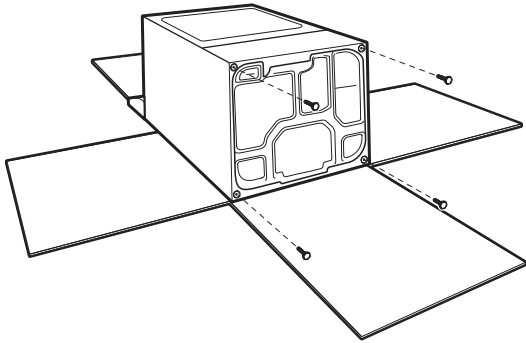
## INSTALL LEVELING LEGS

### **⚠ WARNING**

#### **Excessive Weight Hazard**

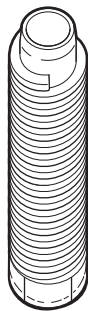
Use two or more people to move and install dryer.  
Failure to do so can result in back or other injury.

### 1. Prepare dryer for leveling legs



To avoid damaging floor, use a large flat piece of cardboard from dryer carton; place under entire back edge of dryer. Firmly grasp dryer body (not console panel) and gently lay dryer down on cardboard.

### 2. Screw in leveling legs

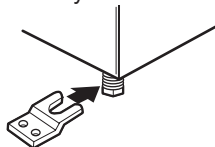


Using a wrench and tape measure, screw legs into leg holes until bottom of foot is approximately 13 mm (1/2") (to match height of 0.102 m<sup>3</sup> [3.6 cu. ft.] capacity washer) or 38 mm (1 1/2") (to match height of 0.108 m<sup>3</sup> [3.8 cu. ft.] capacity washer) from bottom of dryer.

Now stand the dryer on its legs. Slide the dryer until it is close to its final location. Leave enough room for electrical connection and to connect the exhaust vent.

#### **For mobile home use**

Gas dryers must be securely fastened to the floor.



Mobile home installations require a Mobile Home Installation Hold-down Kit. For ordering information, please reference the Use and Care Guide.

## GAS DRYER POWER HOOKUP

### Gas Supply Requirements

### **⚠ WARNING**



#### **Explosion Hazard**

Use a new CSA International approved gas supply line.

Install a shut-off valve.

Securely tighten all gas connections.

If connected to LP, have a qualified person make sure gas pressure does not exceed 330 mm (13") water column.

Examples of a qualified person include:

licensed heating personnel,

authorized gas company personnel, and

authorized service personnel.

Failure to do so can result in death, explosion, or fire.

#### **Gas type**

##### **Natural gas:**

This dryer is equipped for use with Natural Gas. It is design-certified by CSA International for propane or butane gases with appropriate conversion.

- Your dryer must have the correct burner for the type of gas in your home. Burner information is located on the rating plate in the door well of your dryer.

##### **Propane gas conversion:**

**Conversion must be made by a qualified technician.**

No attempt shall be made to convert the dryer from the gas specified on the model/serial rating plate for use with a different gas without consulting the serving gas supplier.

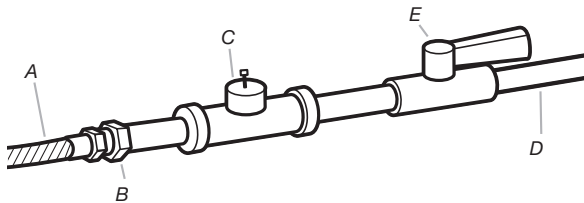
**IMPORTANT:** The gas installation must conform with local codes.



## Gas supply line

- 13 mm (1/2") NPT pipe is recommended.
- 9.5 mm (3/8") approved tubing is acceptable for lengths under 6.1 m (20 ft.) if local codes and gas supplier permit.
- Must include 3.2 mm (1/8") NPT minimum plugged tapping accessible for test gauge connection, immediately upstream of the gas connection to the dryer (see illustration).
- Must include a shut-off valve.

The shut-off valve location should be easy to reach for opening and closing.



- A. 9.5 mm (3/8") flexible gas connector
- B. 9.5 mm (3/8") pipe to flare adapter fitting
- C. 3.2 mm (1/8") NPT minimum plugged tapping
- D. 13 mm (1/2") NPT gas supply line
- E. Gas shut-off valve

## Gas supply connection requirements

There are many methods by which your gas dryer can be connected to the gas supply. Listed here are some guidelines for two different methods of connection.

This dryer must be connected to the gas supply line with a listed flexible gas connector that complies with the standard for connectors for gas appliances, CSA 6.10.

### Option 1 (Recommended Method)

Flexible stainless steel gas connector:

- If local codes permit, use a new flexible stainless steel gas connector (Design Certified by CSA International) to connect your dryer to the rigid gas supply line. Use an elbow and a 9.5 mm (3/8") flare x 9.5 mm (3/8") NPT adapter fitting between the stainless steel gas connector and the dryer gas pipe, as needed, to prevent kinking.

### Option 2 (Alternate Method)

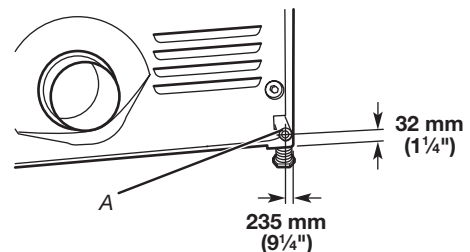
Approved aluminum or copper tubing:

- Lengths over 6.1 m (20 ft.) can use 9.5 mm (3/8") approved tubing (if codes and gas supplier permit).
- If you are using Natural Gas, do not use copper tubing.
- 9.5 mm (3/8") flare x 9.5 mm (3/8") NPT adapter fitting between dryer pipe and 9.5 mm (3/8") approved tubing.
- Lengths over 6.1 m (20 ft.) should use larger tubing and a different size adapter fitting.
- If your dryer has been converted to use propane gas, 9.5 mm (3/8") propane compatible copper tubing can be used. If the total length of the supply line is more than 6.1 m (20 ft.), use larger pipe.

**NOTE:** Pipe joint compounds that resist the action of propane gas must be used. Do not use TEFLON<sup>†</sup> tape.

## Dryer gas pipe

- The gas pipe that comes out through the rear of your dryer has a 9.5 mm (3/8") male pipe thread.



A. 9.5 mm (3/8") NPT dryer pipe

## Burner input requirements

### Elevations up to 3,048 m (10,000 ft.):

- The design of this dryer is certified by CSA International for use at altitudes up to 3,048 m (10,000 ft.) above sea level at the BTU rating indicated on the model/serial number plate. Burner input adjustments are not required when the dryer is operated up to this elevation.

### Elevations above 3,048 m (10,000 ft.):

- When installed above 3,048 m (10,000 ft.), a 4% reduction of the burner BTU rating shown on the model/serial number plate is required for each 305 m (1,000 ft.) increase in elevation.

### Gas supply pressure testing

- The dryer must be disconnected from the gas supply piping system during pressure testing at pressures greater than 352 kg/m<sup>2</sup> (1/2 psi).

<sup>†</sup>TEFLON is a registered trademark of Chemours.

## ELECTRICAL REQUIREMENTS

### ⚠️ WARNING



#### Electrical Shock Hazard

Plug into an earthed plug socket outlet.

Do not remove earth pin.

Do not use an adaptor.

Do not use an extension cord.

Failure to follow these instructions can result in death, fire, or electrical shock.

### EARTHING INSTRUCTIONS

■ For an earthed cord-connected dryer:  
This dryer must be earthed. In the event of a malfunction or breakdown, grounding will reduce the risk of electric shock by providing a path of least resistance for electric current. This dryer is equipped with a cord having an equipment-earthing conductor and a earthing plug. The plug must be plugged into an appropriate outlet that is properly installed and earthed in accordance with all local codes and ordinances.

**WARNING:** Improper connection of the equipment-earthing conductor can result in a risk of electric shock. Check with a qualified electrician or service representative or personnel if you are in doubt as to whether the dryer is properly earthed. Do not modify the plug provided with the dryer: if it will not fit the outlet, have a proper outlet installed by a qualified electrician.

**SAVE THESE INSTRUCTIONS**

## ELECTRICAL CONNECTION

### Electrical Connection Options

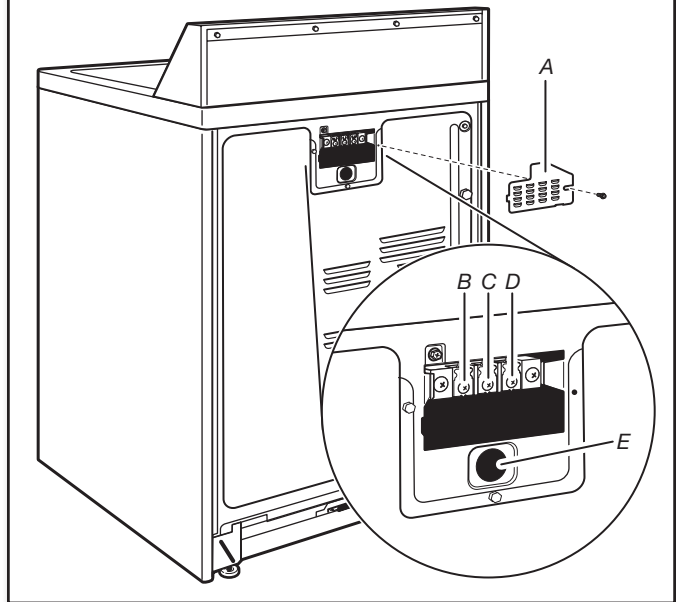
#### 1. Choose electrical connection type

**Power supply cord:** Go to steps 1–2 on page 11 for power supply cord strain relief, then steps 3–5 in “Power Supply Cord Connection” section. Then go to “Venting Requirements.”



**Direct wire connection:** Go to steps 1–2 on page 11 for direct wire strain relief, then steps 3–7 in “Direct Wire Connection” section. Then go to “Venting Requirements.”

#### 2. Remove terminal block cover



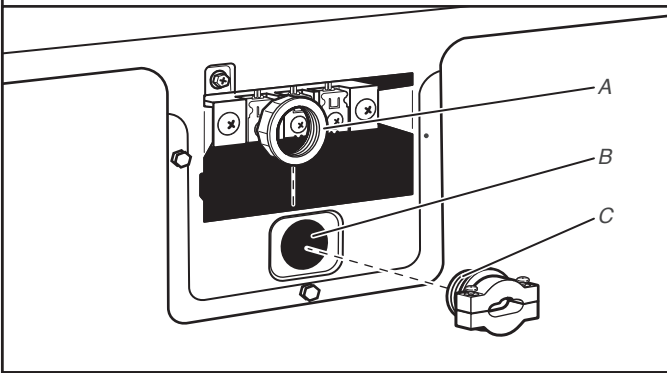
Before you start, disconnect power. Remove terminal block cover (A).

- A. Terminal block cover
- B. Active screw
- C. Ground screw
- D. Neutral screw
- E. Strain relief hole

## Install Strain Relief

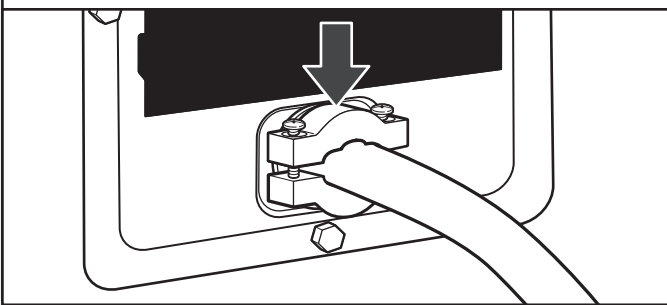
### Power supply cord strain relief

#### 1. Attach power supply cord strain relief



Unscrew the removable conduit connector (A) and any screws from a 19 mm (3/4") strain relief. Put the threaded section of the strain relief through the hole (B) below the terminal block opening. Reaching inside the terminal block opening, screw the removable conduit connector onto the strain relief threads (C).

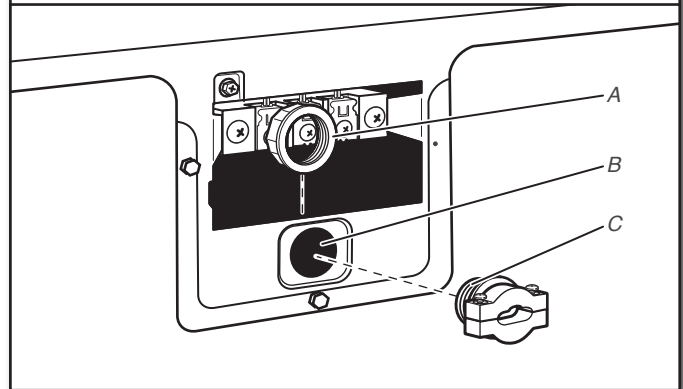
#### 2. Attach power supply cord to strain relief



Put power supply cord through the strain relief. Be sure that the wire insulation on the power supply cord is inside the strain relief. The strain relief should have a tight fit with the dryer cabinet and be in a horizontal position. Do not further tighten strain relief screws at this point. Go to "Power Supply Cord Connection."

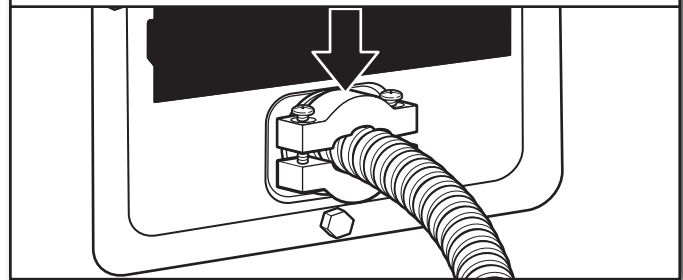
### Direct wire strain relief

#### 1. Attach direct wire strain relief



Unscrew the removable conduit connector (A) and any screws from a 19 mm (3/4") strain relief. Put the threaded section of the strain relief through the hole (B) below the terminal block opening. Reaching inside the terminal block opening, screw the removable conduit connector onto the strain relief threads (C).

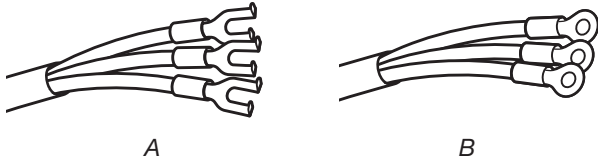
#### 2. Attach direct wire cable to strain relief



Put direct wire cable through the strain relief. The strain relief should have a tight fit with the dryer cabinet and be in a horizontal position. Securely tighten strain relief screws. Go to "Direct Wire Connection."

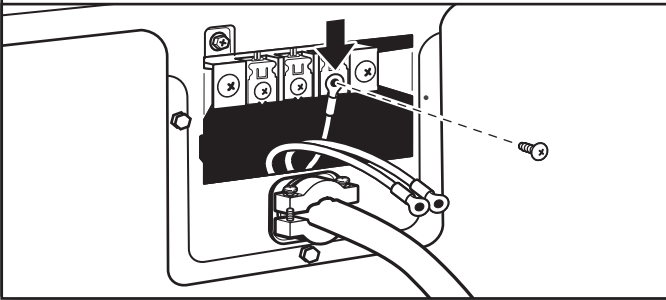
## Power Supply Cord Connection

Use where local codes permit connecting cabinet-ground conductor to neutral wire.



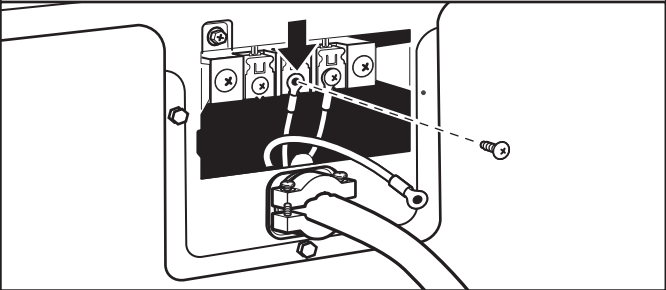
A. Spade terminal with up-turned ends  
B. 19 mm (3/4") strain relief with ring terminals

### 3. Connect neutral wire



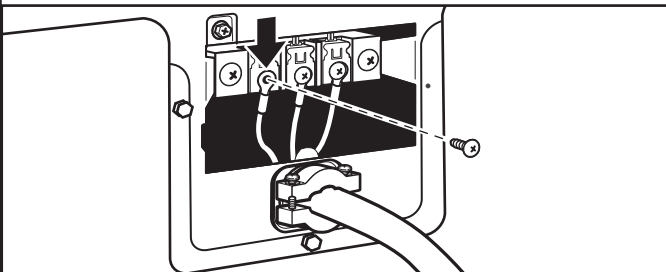
Connect neutral wire of power supply cord to the right terminal screw of the terminal block. Securely tighten screw.

### 4. Connect ground wire



Connect ground wire to the center terminal. Securely tighten screw.

### 5. Connect active wire

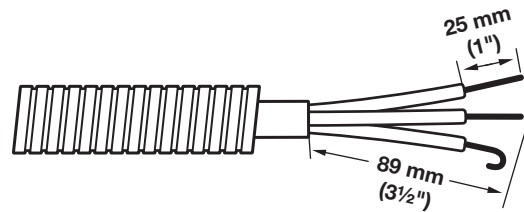


Connect active wire to the left terminal. Securely tighten screw and strain relief screws.

Finally, reinsert tab of terminal block cover into slot of dryer rear panel. Secure cover with hold-down screw. Now, go to "Venting Requirements."

## Direct Wire Connection

### 3. Prepare your 3-wire cable for direct connection



Direct wire cable must have 1.52 m (5 ft) of extra length so dryer may be moved if needed.

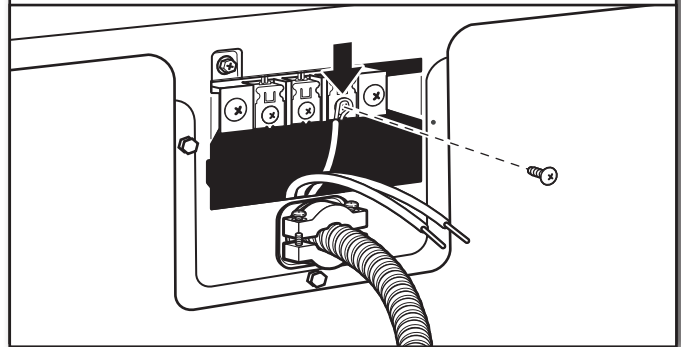
Strip 89 mm (3 1/2") of outer covering from end of cable. Strip insulation back 25 mm (1"). If using 3-wire cable with ground wire, cut bare wire even with outer covering. Shape wire ends into hooks.

### 4. Connect wires to terminal block



To connect wires to terminal block, place hooked end of wire under terminal block screw, facing to the right. Squeeze hooked end together and securely tighten screw.

### 5. Connect neutral wire



Place hooked end of neutral wire of power supply cable under the right screw of terminal block (hook facing right). Squeeze hooked end together. Securely tighten screw.

## VENTING

### Venting Requirements

#### **⚠ WARNING**



#### Fire Hazard

Use a heavy metal vent.

Do not use a plastic vent.

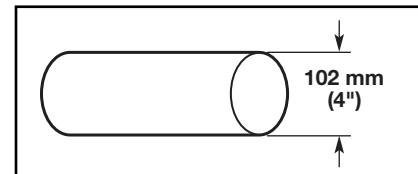
Do not use a metal foil vent.

Failure to follow these instructions can result in death or fire.

**WARNING:** To reduce the risk of fire, this dryer MUST BE EXHAUSTED OUTDOORS.

**IMPORTANT:** Observe all governing codes and ordinances.

Dryer exhaust must not be connected into any gas vent, chimney, wall, ceiling, attic, crawlspace, or a concealed space of a building. Only rigid or flexible metal vent shall be used for exhausting.



102 mm (4") heavy metal exhaust vent

- Only a 102 mm (4") heavy metal exhaust vent and clamps may be used.
- Do not use plastic or metal foil vent.

#### **Rigid metal vent:**

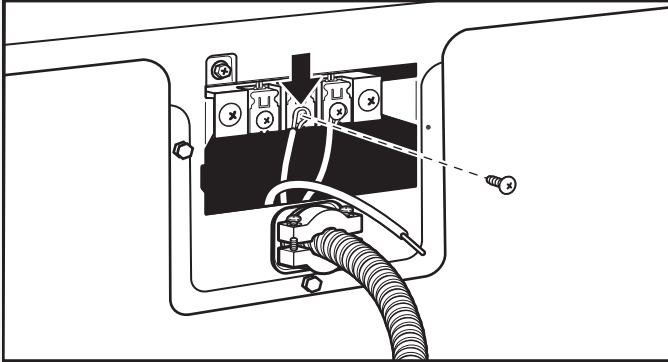
- Recommended for best drying performance and to avoid crushing and kinking.

#### **Flexible metal vent:** (Acceptable only if accessible to clean)

- Must be fully extended and supported in final dryer location.
- Remove excess to avoid sagging and kinking that may result in reduced airflow and poor performance.
- Do not install in enclosed walls, ceilings, or floors.
- The total length should not exceed 2.4 m (7<sup>3</sup>/<sub>4</sub> ft.).

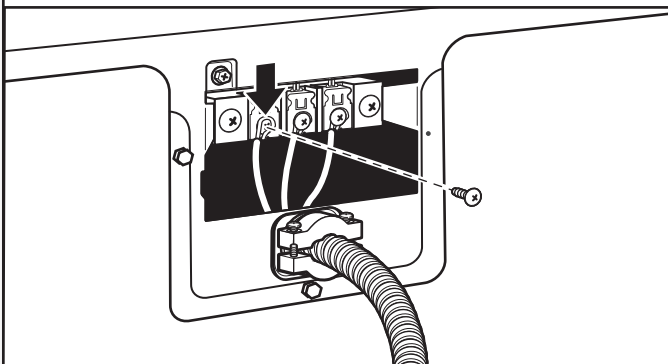
**NOTE:** If using an existing vent system, clean lint from entire length of the system and make sure exhaust hood is not plugged with lint. Replace plastic or metal foil vents with rigid metal or flexible metal vents. Review "Vent System Chart" and, if necessary, modify existing vent system to achieve best drying performance.

### 6. Connect ground wire



Place hooked end of ground wire power supply cable under the center terminal block screw (hook facing right). Squeeze hooked end together and securely tighten screw.

### 7. Connect active wire



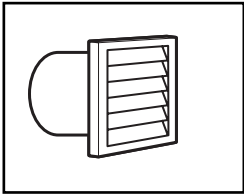
Place hooked end of the active wire power supply cable under the left terminal block screw (hook facing right). Squeeze hooked end together. Securely tighten screw and strain relief screw.

Finally, reinsert tab of terminal block cover into slot of dryer rear panel. Secure cover with hold-down screw. Now, go to "Venting Requirements."

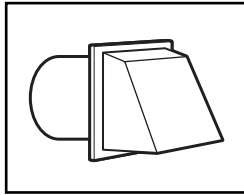
**Exhaust hoods:**

- Must be at least 305 mm (12") from ground or any object that may obstruct exhaust (such as flowers, rocks, bushes, or snow).

**Recommended Styles:**

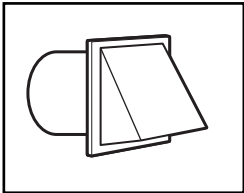


Louvered hood



Box hood

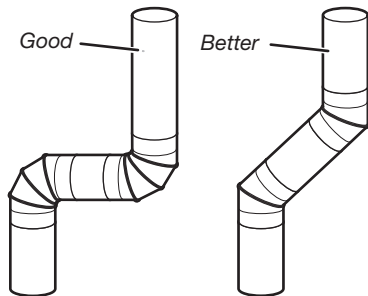
**Acceptable Style:**



Angled hood

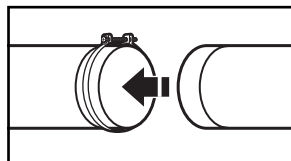
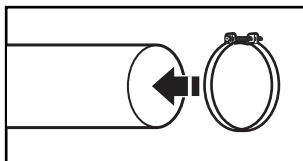
**Elbows:**

- 45° elbows provide better airflow than 90° elbows.



**Clamps:**

- Use clamps to seal all joints.
- Exhaust vent must not be connected or secured with screws or other fastening devices that extend into interior of duct and catch lint. Do not use duct tape.



**Improper venting can cause moisture and lint to collect indoors, which may result in:**

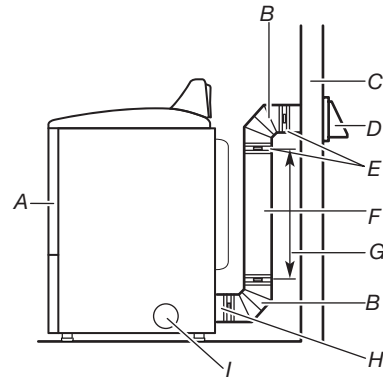
- Moisture damage to woodwork, furniture, paint, wallpaper, carpets, etc.
- Housecleaning problems and health problems.

See "Venting Kits" for more information.

**Plan Vent System**

**Recommended exhaust installations**

Typical installations vent the dryer from the rear of the dryer. Other installations are possible.



- A. Dryer
- B. Elbow
- C. Wall
- D. Exhaust hood
- E. Clamps
- F. Rigid metal or flexible metal vent
- G. Vent length necessary to connect elbows
- H. Exhaust outlet
- I. Optional side exhaust outlet

**WARNING**

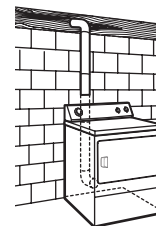


**Fire Hazard**

Cover unused exhaust holes with a manufacturer's exhaust cover kit.

Contact your local dealer.

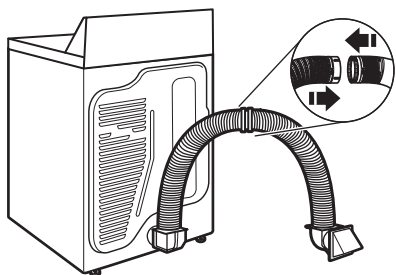
Failure to follow these instructions can result in death, fire, electrical shock, or serious injury.



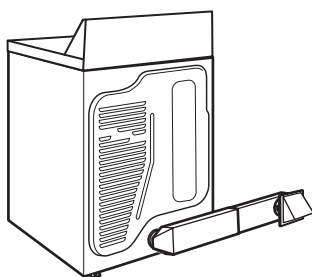
Standard rear offset exhaust installation

## Alternate installations for close clearances

Venting systems come in many varieties. Select the type best for your installation. Two close-clearance installations are shown. Refer to the manufacturer's instructions.



Over-The-Top installation (also available with one offset elbow)



Periscope installation

**NOTE:** The following kits for close clearance alternate installations are available for purchase.

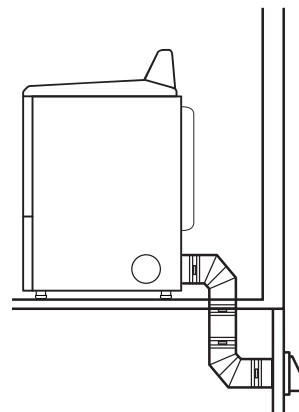
## Venting Kits

For more information, visit us at [www.whirlpool.com/accessories](http://www.whirlpool.com/accessories) or contact the dealer from whom you purchased your dryer or an authorized service company.

Part Number	Descriptions
8171587RP	0–5" Metal vent periscope
4396037RP	0"–18" Metal vent periscope
4396011RP	18"–29" Metal vent periscope
4396014	29"–50" Metal vent periscope
4392892	In-Wall metal DuraVent™ Periscope
4396028	Sure Connect™ venting kit (over-the-top installation)
4396009RP	5' Universal connect vent, flexible dryer venting
4396010RP	6' SecureConnect™ vent, flexible dryer venting
4396013RB	Dryer vent installer's kit
4396033RP	5' flexible dryer venting with clamps
4396727RP	8' flexible dryer venting with clamps
4396004	Dryer offset elbow
4396005	Wall offset elbow
4396006RW	DuraSafe™ close elbow
4396007RW	Through-the-wall vent cap
4396008RP	4" steel dryer venting clamps—2 pack
8212662	Flush-mounting louvered vent hood 4"

## Special provisions for mobile home installations:

The exhaust vent must be securely fastened to a noncombustible portion of the mobile home structure and must not terminate beneath the mobile home. Terminate the exhaust vent outside.



### Determine vent path:

- Select route that will provide straightest and most direct path outdoors.
- Plan installation to use fewest number of elbows and turns.
- When using elbows or making turns, allow as much room as possible.
- Bend vent gradually to avoid kinking.
- Use as few 90° turns as possible.

### Determine vent length and elbows needed for best drying performance:

- Use following "Vent System Chart" to determine type of vent material and hood combinations acceptable to use.
- NOTE:** Do not use vent runs longer than those specified in "Vent System Chart." Exhaust systems longer than those specified will:
- Shorten life of dryer.
  - Reduce performance, resulting in longer drying times and increased energy usage.

The "Vent System Chart" provides venting requirements that will help achieve best drying performance.

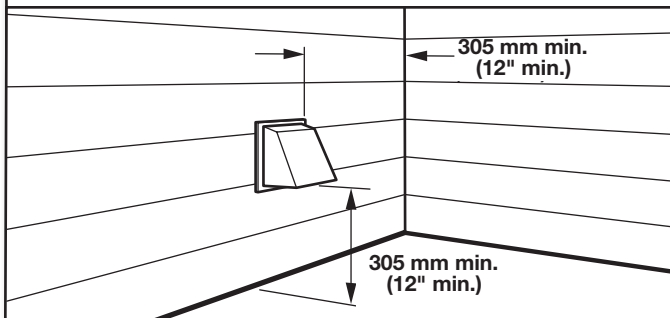
Vent System Chart			
Number of 90° turns or elbows	Type of vent	Box/louvered hoods	Angled hoods
0	Rigid metal	20 m (64 ft.)	17.7 m (58 ft.)
1	Rigid metal	16.5 m (54 ft.)	14.6 m (48 ft.)
2	Rigid metal	13.4 m (44 ft.)	11.6 m (38 ft.)
3	Rigid metal	10.7 m (35 ft.)	8.8 m (29 ft.)
4	Rigid metal	8.2 m (27 ft.)	6.4 m (21 ft.)

## Vent System Chart (Long Vent Models Only)

Number of 90° turns or elbows	Type of vent	Box/louvered or Angled hoods
0	Rigid metal	36.6 m (120 ft.)
1	Rigid metal	33.5 m (110 ft.)
2	Rigid metal	30.5 m (100 ft.)
3	Rigid metal	27.4 m (90 ft.)
4	Rigid metal	24.4 m (80 ft.)
5	Rigid metal	21.3 m (70 ft.)

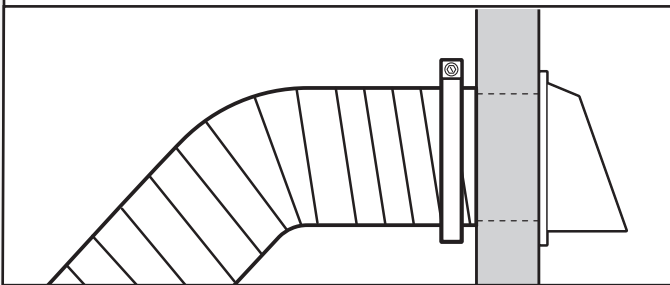
## Install Vent System

### 1. Install exhaust hood



Install exhaust hood and use caulking compound to seal exterior wall opening around exhaust hood.

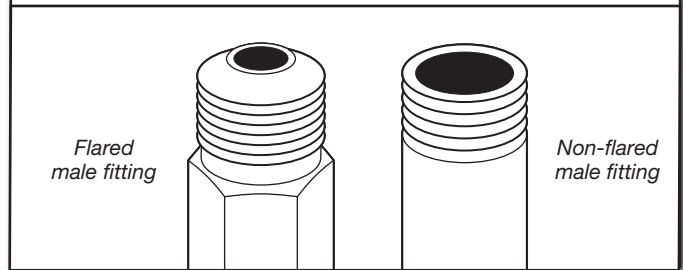
### 2. Connect vent to exhaust hood



Vent must fit over the exhaust hood. Secure vent to exhaust hood with 102 mm (4") clamp. Run vent to dryer location using straightest path possible. Avoid 90° turns. Use clamps to seal all joints. Do not use duct tape, screws, or other fastening devices that extend into interior of vent to secure vent, because they can catch lint.

## MAKE GAS CONNECTION

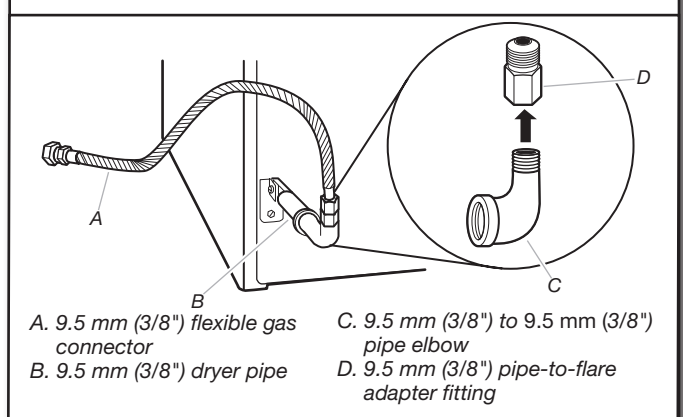
### 1. Connect gas supply to dryer



Remove red cap from gas pipe. Using a wrench to tighten, connect gas supply to dryer. Use pipe-joint compound on threads of all non-flared male fittings. If flexible metal tubing is used, be sure there are no kinks.

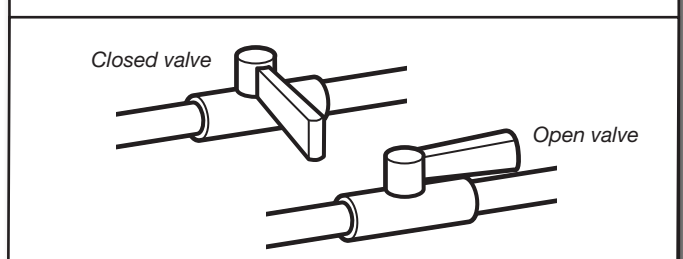
**NOTE:** For propane gas connections, you must use pipe-joint compound resistant to action of propane gas. Do not use TEFLON® tape.

### 2. Plan pipe fitting connection



A combination of pipe fittings must be used to connect dryer to existing gas line. A recommended connection is shown. Your connection may be different, according to supply line type, size, and location.

### 3. Open shut-off valve

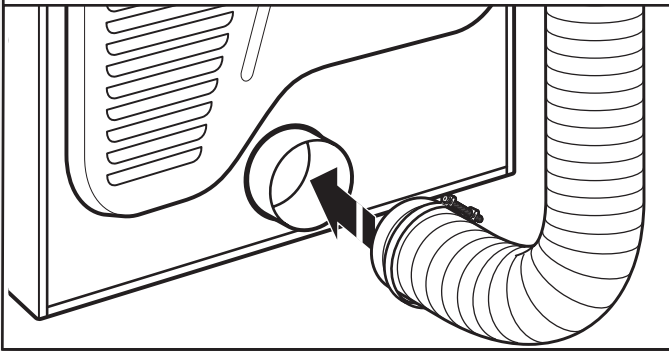


Open shut-off valve in supply line; valve is open when handle is parallel to gas pipe. Then, test all connections by brushing on an approved noncorrosive leak-detection solution. Bubbles will show a leak. Correct any leaks found.



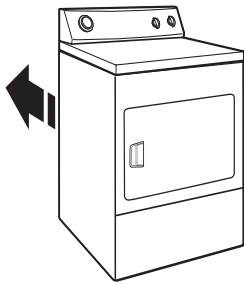
## CONNECT VENT

### 1. Connect vent to exhaust outlet



Using a 102 mm (4") clamp, connect vent to exhaust outlet in dryer. If connecting to existing vent, make sure vent is clean. Dryer vent must fit over dryer exhaust outlet and inside exhaust hood. Check that vent is secured to exhaust hood with a 102 mm (4") clamp.

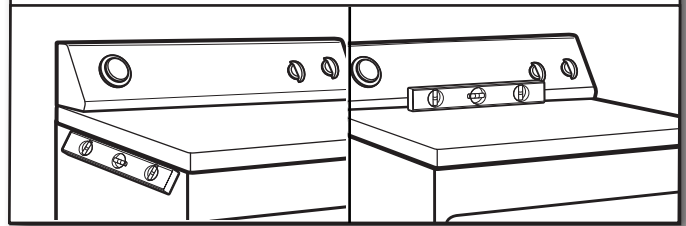
### 2. Move dryer to final location



Move dryer to final location. Avoid crushing or kinking vent. After dryer is in place, remove corner posts and cardboard from under the dryer.

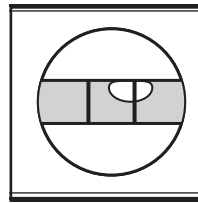
## LEVEL DRYER

### 1. Level dryer

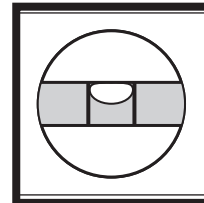


Check levelness of dryer from side to side. Repeat from front to back.

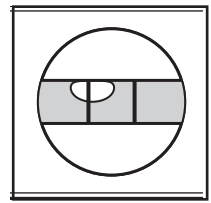
**NOTE:** The dryer must be level for the moisture sensing system to operate correctly.



Not Level

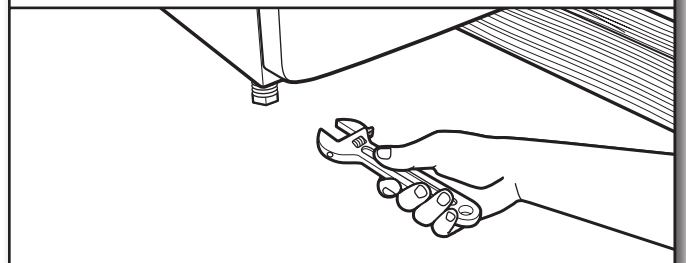


LEVEL



Not Level

### 2. Tighten and adjust leveling legs



If dryer is not level or the same height as the washer, prop up using a wood block. Use wrench to adjust legs up or down and check again for levelness. Once legs are level, make sure all four legs are snug against the floor before tightening them.

# POWER CORD INSTALLATION

## (on some models)

**IMPORTANT:** To be performed by Whirlpool Corporation authorised service personnel only.

### ⚠ WARNING



#### Electrical Shock Hazard

Plug into an earthed plug socket outlet.

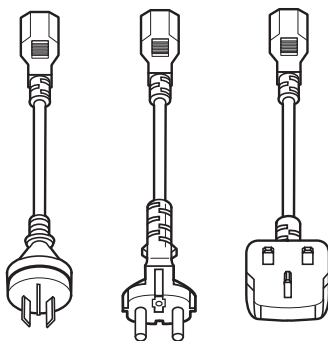
Do not remove earth pin.

Do not use an adaptor.

Do not use an extension cord.

Failure to follow these instructions can result in death, fire, or electrical shock.

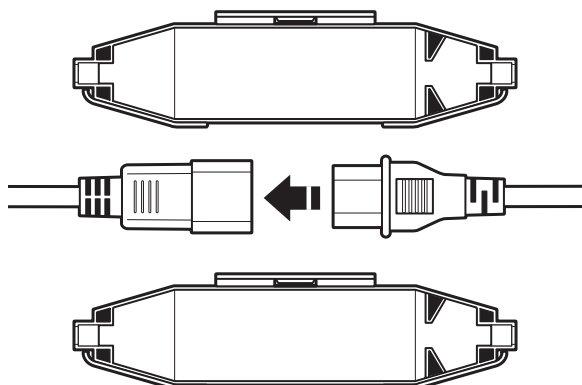
### 1. Select plug



Select the plug that fits with the electric receptacle.

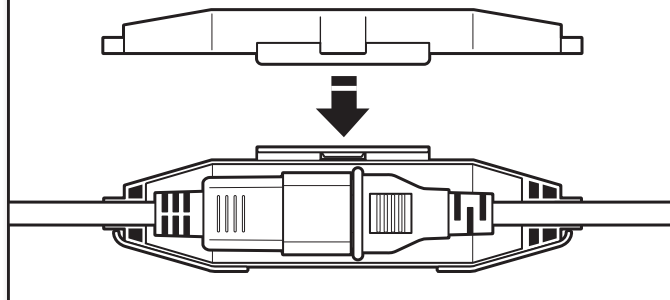
**NOTE:** Plug types and quantities will vary by model.

### 2. Assemble plug



Assemble the plug into the end of the power cord located on the back of the dryer.

### 3. Secure power cord



Secure the power cord by seating the connection on the cord lock. Place the cord lock cover and push until it snaps. Make sure the power cord connection is seated on the cord lock and that the cord lock clamps correctly.

Plug power supply cord into an earthed outlet. Turn power supply on.

## COMPLETE INSTALLATION CHECKLIST

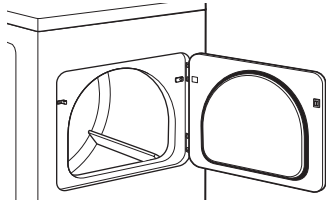
- Check that all parts are now installed. If there is an extra part, go back through steps to see what was skipped.
- Check that you have all of your tools.
- Dispose of/recycle all packaging materials.
- Check dryer's final location. Be sure vent is not crushed or kinked.
- Check that dryer is level. See "Level Dryer."
- Remove film on console and any tape remaining on dryer.
- Wipe dryer drum interior thoroughly with a damp cloth to remove any dust.
- Read "Dryer Use" in your Use and Care Guide.
- Set the dryer on a full heat cycle (not an air cycle) for 20 minutes and start the dryer.

#### If the dryer will not start, check the following:

- Dryer is plugged into an earthed 3-prong outlet.
- Electrical supply is connected.
- Household fuse is intact and tight or circuit breaker has not tripped.
- Dryer door is closed.
- When the dryer has been running for 5 minutes, open the dryer door and feel for heat. If you feel heat, cancel cycle and close the door.
  - If you do not feel heat, turn the dryer off and check to see whether gas supply line shut-off valve is open.
    - If the gas supply line shut-off valve is closed, open it, then repeat the 5-minute test as outlined above.
    - If the gas supply line shut-off valve is open, contact a qualified technician.

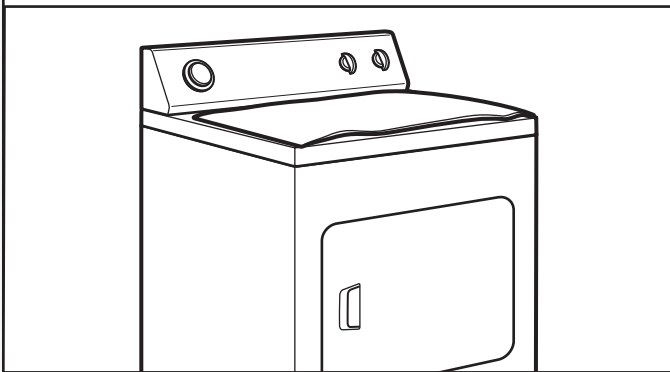
**NOTE:** You may notice an odor when the dryer is first heated. This odor is common when the heating element is first used. The odor will go away.

## REVERSE DOOR SWING (OPTIONAL)



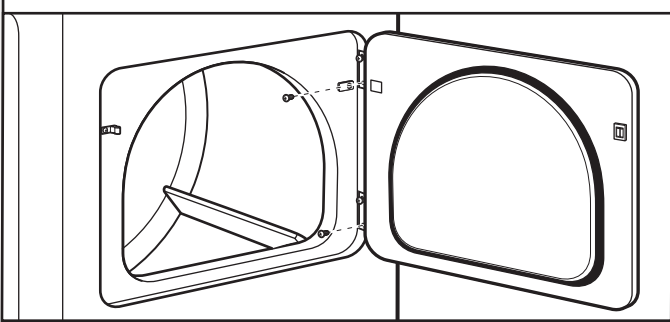
**NOTE:** Magnetized screwdriver is helpful.

### 1. Place towel on dryer



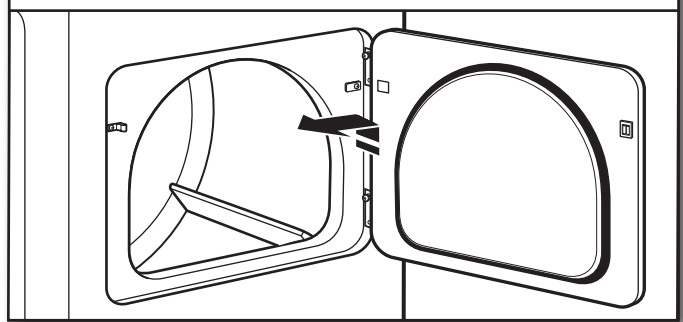
Place towel on top of dryer to avoid damaging the surface.

### 2. Remove bottom screws



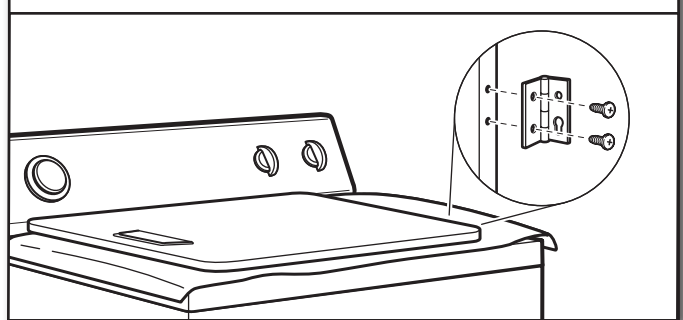
Open dryer door. Remove bottom screws from dryer cabinet side of hinges. Loosen (do not remove) top screws from dryer cabinet side of hinges.

### 3. Lift door off top screws



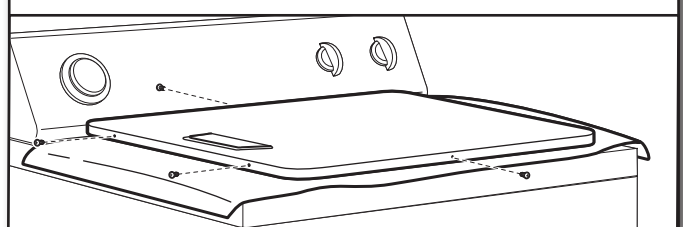
Lift door until top screws in dryer cabinet are in large part of hinge slot. Pull door forward off screws. Set door (handle side up) on top of dryer. Remove top screws from dryer cabinet.

### 4. Remove screws from hinges



Remove screws attaching hinges to door.

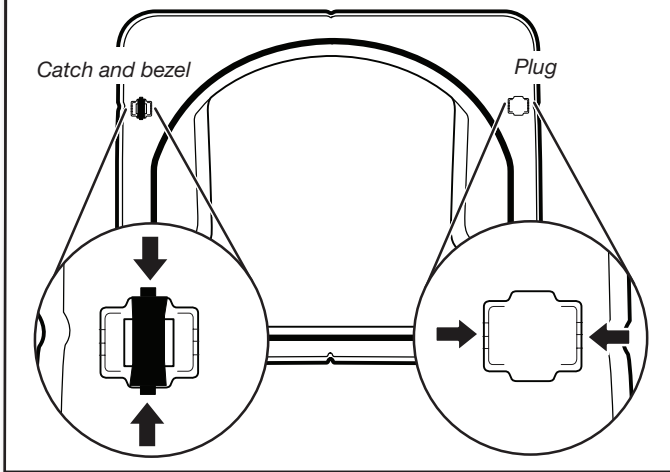
### 5. Remove screws from door



Remove screws at top, bottom, and side of door (4 screws) that hold the inner and outer door together. Holding door over towel on dryer, grasp sides of outer door and lift to separate it from inner door. Set outer door aside.

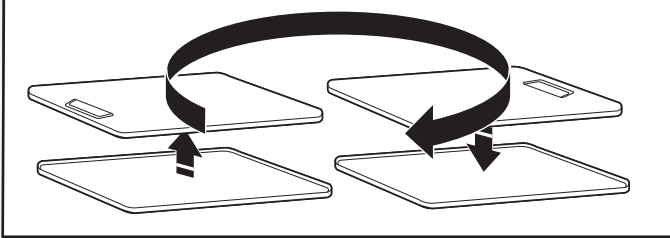
**NOTE:** Do not pry apart with putty knife or screwdriver. Do not pull on door seal or plastic door catches.

## 6. Switch door catch, bezel, and plug



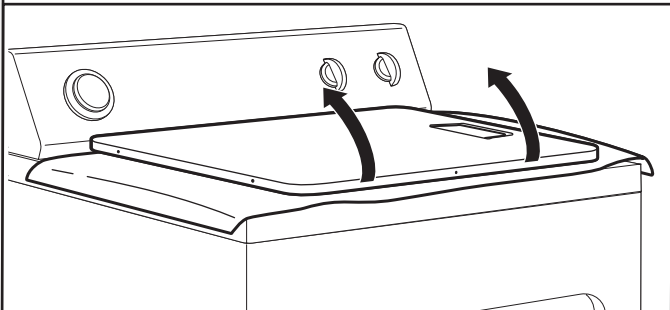
Remove the door catch, bezel, and plug from the inside of the inner door by squeezing and pulling/pushing them. Place the door catch, bezel, and plug on the sides opposite from where they were.

## 7. Rotate outer door



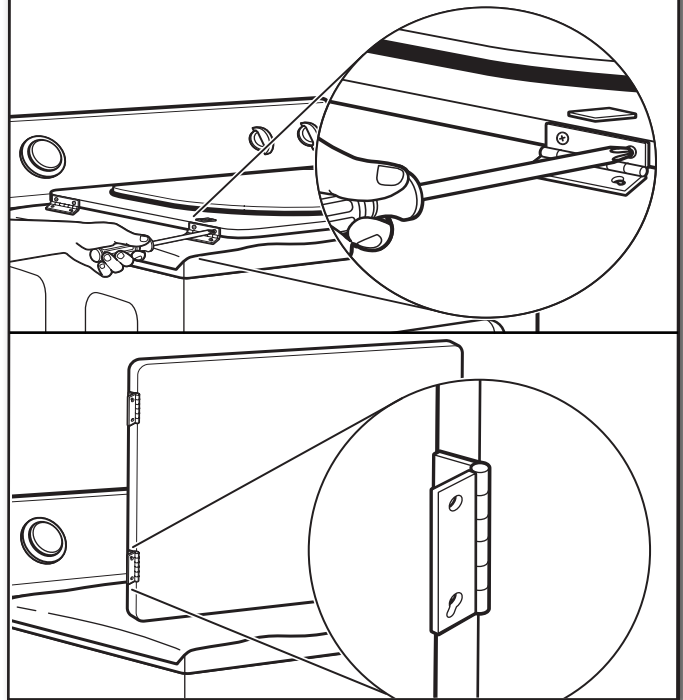
Rotate outer door 180° and set it back down on inner door. Reattach outer door panel to inner door panel so handle is on the side where hinges were just removed. Insert 4 door screws.

## 8. Flip door over



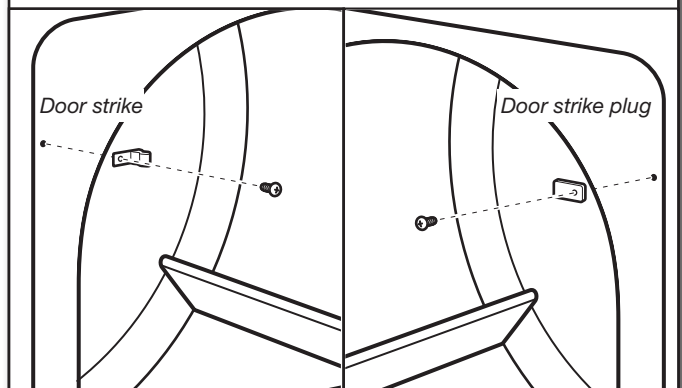
Flip door over so handle side is down.

## 9. Attach door hinges



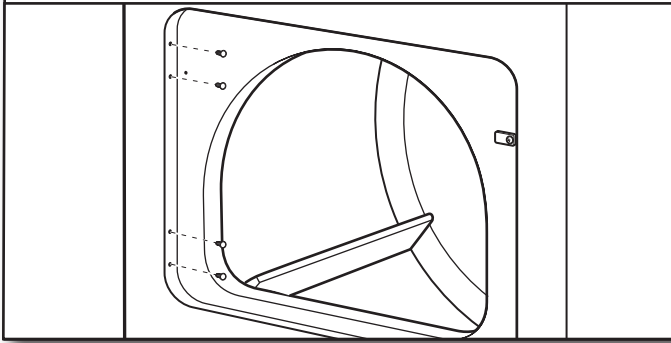
Reattach door hinges to dryer door so that the larger hole is at the bottom of the hinge.

## 10. Remove door strike and door strike plug



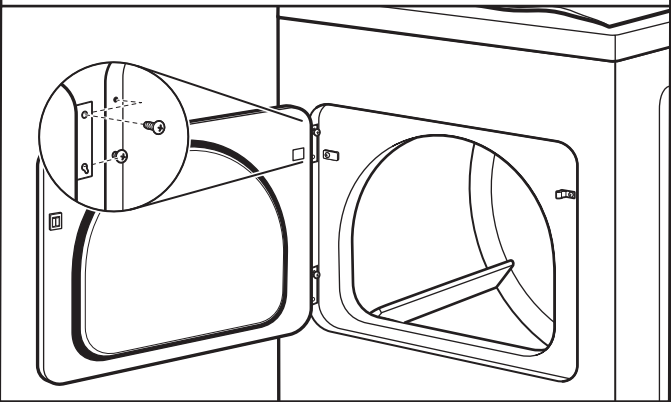
Remove door strike and door strike plug from dryer cabinet. Insert the door strike into door strike plug hole and secure with screw. Insert door strike plug into original door strike hole and secure with screw.

## 11. Remove and transfer hinge hole plugs



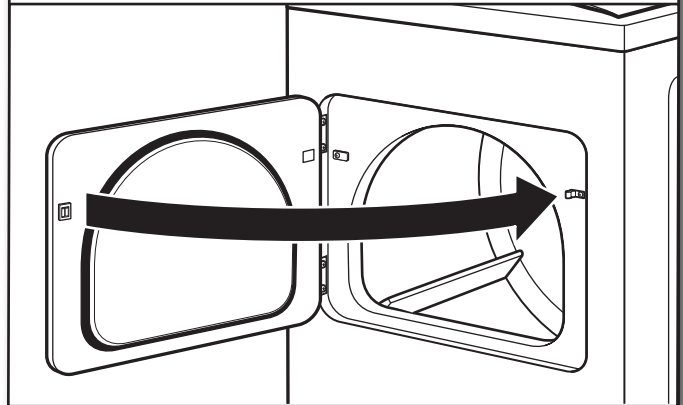
Use a small, flat-blade screwdriver to gently remove 4 hinge hole plugs on left side of dryer cabinet. Transfer plugs into hinge holes on opposite side of dryer cabinet.

## 12. Insert screws in hinge holes on dryer cabinet



**NOTE:** Two people may be needed to reinstall door. Insert screws into the bottom holes on left side of dryer cabinet. Tighten screws halfway. Position door so large end of door hinge slot is over screws. Slide door up so screws are in bottom of slots. Tighten screws. Insert and tighten top screws in hinges.

## 13. Check door strike alignment



Close door and check that door strike aligns with door catch. If it is needed, slide door catch left or right within slot to adjust alignment.

---

## TROUBLESHOOTING

See the Use and Care Guide or visit our website and reference "Frequently Asked Questions" to possibly avoid the cost of a service call.

ممثل الاتحاد الأوروبي: Whirlpool EMEA S.p.A., Via Carlo Pisacane n. 1, 20016 Pero (MI), Italy  
الجهة المصنعة: Whirlpool Corporation, 2000 N M 63, Benton Harbor, MI 49022 USA  
لمزيد من المعلومات، يرجى زيارتنا في الموقع [www.whirlpool.com/accessories](http://www.whirlpool.com/accessories) أو قم بالاتصال بالبايع الذي اشتريت المجفف منه أو شركة صيانة معتمدة.