

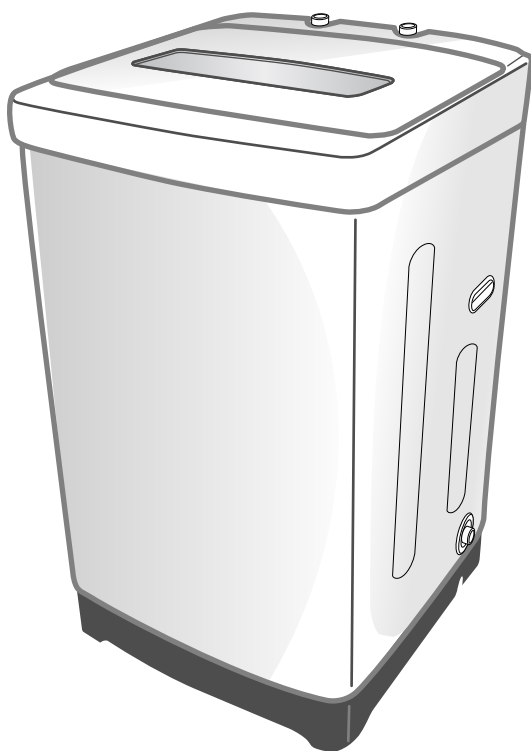
Haier

Installation and User Manual
Instructions d'installation et
Guide de l'utilisateur
Instrucciones de instalación y
Manual del usuario
HLPW028BXW

Top-Load Clothes Washer

Laveuse à chargement par le haut

Lavadora de ropa con carga superior



**Designed for
High-Efficiency; use
HE detergent.**

**Conçue pour haute
efficacité; utiliser
un détergent HE.**

**Diseñada para un
alta eficiencia; use
detergente HE (Alta
eficiencia).**

Part # 0030812994A
HAR # 0570001092 REV A

TABLE OF CONTENTS

WASHER SAFETY	2
PARTS AND FEATURES	5
INSTALLATION REQUIREMENTS	6
Tools and Parts	6
Location Requirements	7
Water Supply Requirements	7
Drain System Requirements	7
Electrical Requirements	9
INSTALLATION INSTRUCTIONS	11
Step 1 - Unpack Washer	11
Step 2 - Install Bottom Cover	13
Step 3 - Install Casters	14
Step 4 - Connect and Secure the Drain Hose	16
Step 5 - Connect the Water Hoses	17
Step 6 - Level the Washer	20
Step 7 - Complete Installation	21
CONTROL PANEL AND FEATURES	22
Control Panel	22
Cycle Guide	23
WASHER USE	24
Step 1 - Prepare and Sort Laundry	25
Step 2 - Add Fabric Care Products	25
Step 3 - Load the Washer	27
Step 4 - Start the Washer	27
WASHER CARE	27
Cleaning and Maintenance	28
Vacationing	29
Moving or Storage Preparation	29
Reinstalling/Using Washer Again	30
TROUBLESHOOTING	31
Error Codes	31
Operation	32
Water	32
Noise	33
Clothing	34
LIMITED WARRANTY	35
RECORD KEEPING	36

WASHER SAFETY

Your safety and the safety of others are very important.

We have provided many important safety messages in this manual and on your appliance. Always read and obey all safety messages.



This is the safety alert symbol.

This symbol alerts you to potential hazards that can kill or hurt you and others. All safety messages will follow the safety alert symbol and either the word "DANGER," "WARNING" or "CAUTION."

These words mean:

⚠ DANGER

An imminently hazardous situation. You could be killed or seriously injured if you don't immediately follow instructions.

⚠ WARNING

A potentially hazardous situation which, if not avoided, could result in death or serious bodily injury.

⚠ CAUTION

A potentially hazardous situation which, if not avoided, may result in moderate or minor injury.

All safety messages will tell you what the potential hazard is, tell you how to reduce the chance of injury, and tell you what can happen if the instructions are not followed.

IMPORTANT SAFETY INSTRUCTIONS

WARNING: To reduce the risk of fire, electrical shock, injury to persons, or damage when using the washer, follow basic precautions, including the following:

- Read all of the instructions before using this appliance.
- Use this appliance only for its intended purpose as described in this user manual.
- Do not place articles that have been previously cleaned in, washed in, soaked in, or spotted with gasoline, dry-cleaning solvents or other flammable or explosive substances in the wash water. These substances give off vapors that could ignite or explode.
- Close supervision is necessary if this appliance is used by or near children. Do not allow children to play on, with, or inside this appliance.
- Do not use the washer for commercial clothes washing.
- Under certain conditions, hydrogen gas may be produced in a hot-water system that has not been used for 2 weeks or more. **HYDROGEN GAS IS EXPLOSIVE.** If the hot water system has not been used for such a period, before using a washing machine, turn on all hot-water faucets and let the water flow from each for several minutes. This will release any accumulated hydrogen gas. As the gas is flammable, do not smoke or use an open flame during this time.
- This appliance must be properly installed and located in accordance with the installation instructions before it is used.
- Do not store or install this appliance where it will be exposed to temperatures below freezing or exposed to weather, which can cause damage to the appliance.
- The appliance must be properly grounded to conform with all electrical codes and ordinances. See "Electrical Requirements" section.
- Keep the area around your appliance free from combustible materials such as lint, paper, rags or chemicals.
- Do not add gasoline, dry-cleaning solvents, or other flammable or explosive substances to the wash water. These substances give off vapors that could ignite or explode.
- Do not reach into the appliance if the wash basket, tub or agitator is moving.
- Do not tamper with the controls.
- Do not stand on top of the washer.
- If the power plug or power cord are damaged, contact your nearest service center. Do not use a damaged power plug.
- To reduce the risk of electric shock, disconnect this appliance from the power supply before attempting any maintenance or cleaning.

NOTE: Turning off power with the Power button does NOT disconnect the appliance from the power supply.

IMPORTANT SAFETY INSTRUCTIONS

- Do not attempt to service, repair or replace any part of the appliance unless specifically recommended in this user manual or in published user-repair instructions that you understand and have the skills to carry out.
- Before the washer is removed from service or discarded, remove the washer door or lid.
- Do not operate your appliance when parts are missing or broken.
- Do not operate this appliance unless all enclosure panels are properly in place.

READ AND SAVE THESE INSTRUCTIONS

State of California Proposition 65 Warnings:

WARNING: This product contains one or more chemicals known to the State of California to cause cancer.

WARNING: This product contains one or more chemicals known to the State of California to cause birth defects or other reproductive harm.

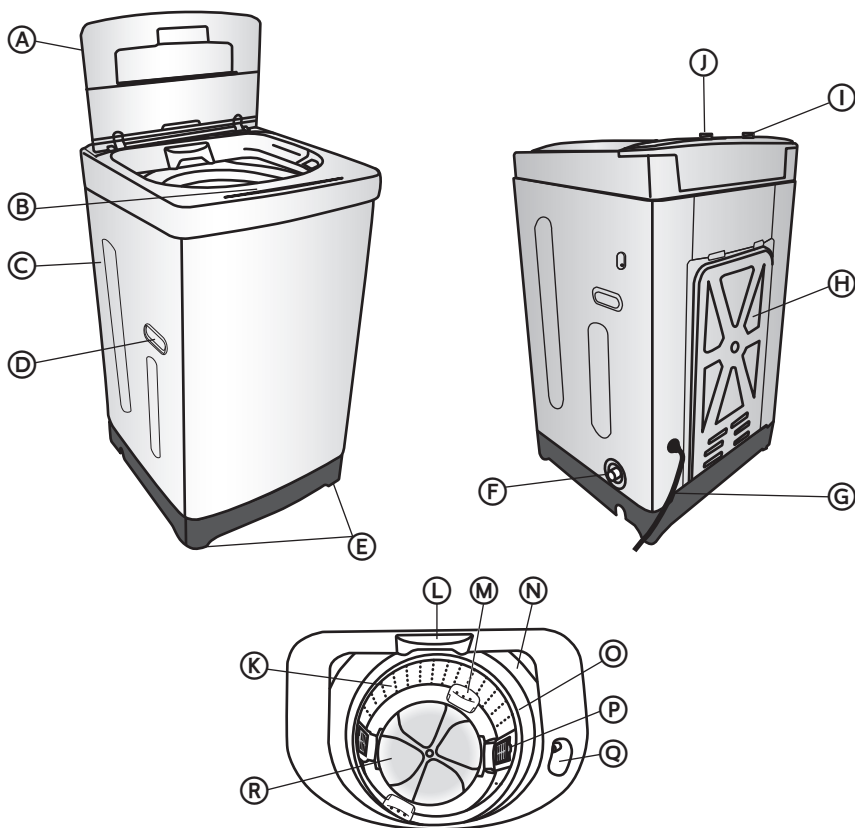
WARNING

Suffocation Hazard

Before you throw away your old appliance, remove the door or lid so that children cannot hide or get trapped inside your old appliance.

Failure to follow these instructions can result in death or brain damage.

PARTS AND FEATURES



- | | |
|-----------------------------------|----------------------------------|
| (A) Top Lid | (J) Hot Water Inlet Valve |
| (B) Control Panel | (K) Wash Basket |
| (C) Cabinet | (L) Powdered Detergent Dispenser |
| (D) Cabinet Handle (2) | (M) Power Jet (2) |
| (E) Leveling Legs (2) | (N) Outer Tub Cover |
| (F) Drain Port | (O) Balance Ring |
| (G) Power Cord (120 Volt / 60 Hz) | (P) Lint Filter (2) |
| (H) Access Panel | (Q) Liquid Bleach Dispenser |
| (I) Cold Water Inlet Valve | (R) Pulsator |

HIGH-EFFICIENCY

- This washer uses a pulsator wash system to gently clean clothes using less water and energy than a traditional agitator washer.
- Less water produces a concentrated water and detergent solution that aggressively works to loosen soils.
- Use only High-Efficiency detergent. An "HE" logo or the words "High-Efficiency" on the detergent label indicate that the detergent is the correct type to use in this washer.

NOTE: Regular detergents will create excessive suds that can damage washer components, reduce rinse performance, and lead to soap film build-up that creates mold and mildew. Follow the detergent manufacturer's instructions for the amount of HE detergent to use.

INSTALLATION REQUIREMENTS

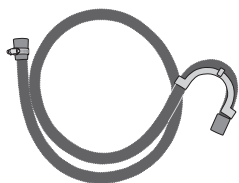
TOOLS AND PARTS

Gather the required tools and parts before starting installation.

TOOLS NEEDED

- Pliers
- Large Adjustable Wrench
- Flat-blade Screwdriver
- Phillips Screwdriver
- Tape Measure
- Carpenter's Level

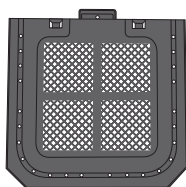
PARTS SUPPLIED



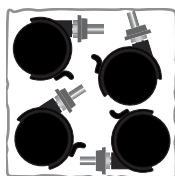
- Drain Hose Clamp
- Drain Hose Hook
- Drain Hose



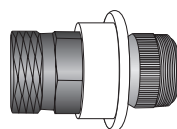
- Water Hoses (2) (flat washers pre-installed)
- Cable Ties (2)



- Bottom Cover (with screw)



- Caster Kit



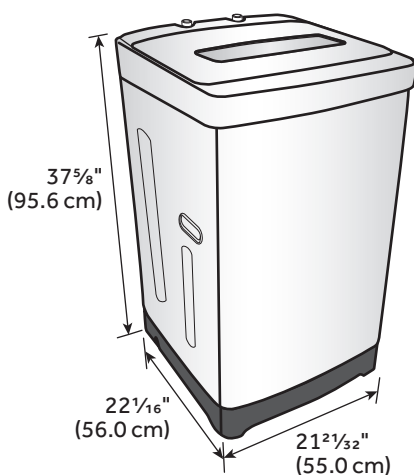
- Faucet Adapter

LOCATION REQUIREMENTS

IMPORTANT: Do not install or operate the washer where it will be exposed to temperatures below 32°F (0°C). Water remaining in the washer will freeze and cause damage to the washer.

- The washer must be installed on a solid floor to minimize vibration during the spin cycle. A concrete floor is the best.
- The floor should be level with maximum slope of 1" (25 mm) under entire washer.
- A suitable location is protected from direct sunlight and heat sources such as radiators, baseboard heaters, or cooking appliances.
- Do not install on carpeting.
- The location must have a grounded electrical outlet located within 4 ft. (1.2 m) of power cord on the back of the washer.
- Hot and cold water faucets must be present within 3 ft. (0.9 m) of the hot and cold connections on the washer.
- This appliance must be operated at room temperature.

PRODUCT DIMENSIONS



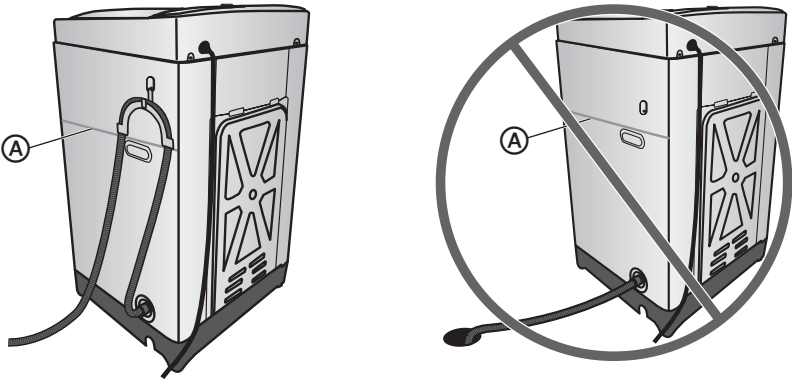
WATER SUPPLY REQUIREMENTS

- A water heater must supply hot water with a temperature of at least 120°F (49°C).
- The water pressure should be between 20 and 120 psi (138 to 827 kPa).

DRAIN SYSTEM REQUIREMENTS

IMPORTANT:

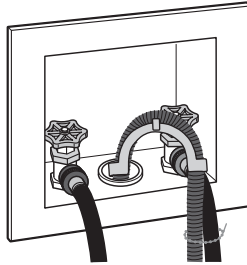
- Do not lay the drain hose on the ground. A portion of the drain hose must be kept higher than the water line inside the wash basket or the fill water will run out of the drain hose and the washer will not work correctly.
- The end of the drain hose cannot be immersed in water for the washer to work properly.



A Water Line

WALL

- Fasten the drain hose to the water hose as shown.

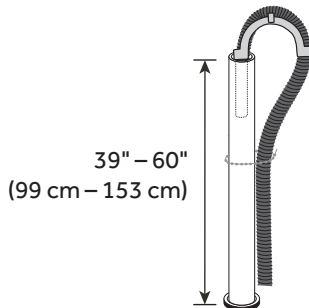


FLOOR STANDPIPE

For the drain hose, the height of the standpipe drain should be between 39" and 60" (99 cm and 153 cm) from the bottom of the washer.

The standpipe drain requires a minimum diameter standpipe of 2" (5 cm). The minimum carry-away capacity can be no less than 17 gal. (64 L) per minute.

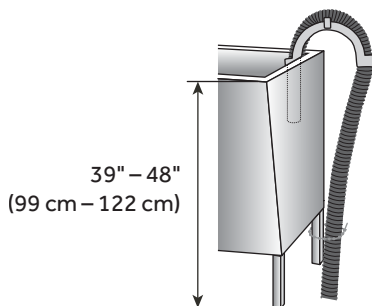
- Fasten the drain hose to the standpipe tightly, as shown.



LAUNDRY TUB

The laundry tub must have a minimum capacity of 20 gal. (76 L). For the drain hose, the height of the sink rim should be between 39" and 48" (99 cm and 122 cm) from the bottom of the washer.

- Fasten the drain hose to the laundry tub leg tightly, as shown.



ELECTRICAL REQUIREMENTS

⚠ WARNING



Electrical Shock Hazard

The washer must be connected to a properly grounded 120 volt, 60 Hz., AC only, 15- or 20-amp, fused electrical supply. A time-delay fuse or circuit breaker is recommended.

Failure to do so could result in death, fire or electric shock.

- If you are in doubt the electric supply provided meets the above requirements, contact a licensed electrician.

⚠ WARNING



Electrical Shock Hazard

Plug into a grounded 3 prong outlet.

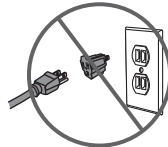
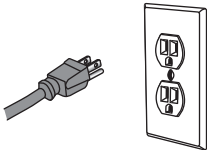
Do not remove the ground prong from the power cord plug.

Do not use an adapter.

Do not use an extension cord.

Failure to do so can result in death, fire or electrical shock.

- A 120 volt, 60 Hz., AC only, 15- or 20-amp, fused electrical supply is required. A time-delay fuse or circuit breaker is recommended. It is recommended that a separate circuit breaker serving only this appliance be provided.
- This washer is equipped with a power supply cord having a 3 prong grounding plug.
- The power cord must be plugged into a mating, 3 prong outlet, grounded in accordance with local codes and ordinances. If a mating outlet is not available, contact a licensed electrician to have one installed.



- If codes permit and a separate ground wire is used, it is recommended that a qualified electrician determine that the ground path is adequate.
- Do not ground to a gas pipe.
- Check with a qualified electrician if you are not sure the washer is properly grounded.
- Do not have a fuse in the neutral or ground circuit.

GROUNDING INSTRUCTIONS

For a grounded, cord-connected washer:

The washer must be grounded. In the event of a malfunction or breakdown, grounding will reduce the risk of electric shock by providing a path of least resistance for electric current. The washer is equipped with a cord having an equipment-grounding conductor and a grounding plug. The plug must be plugged into an appropriate outlet that is properly installed and grounded in accordance with all local codes and ordinances.

WARNING: Improper connection of the equipment-grounding conductor can result in a risk of electric shock.

Check with a qualified electrician or serviceman if you are in doubt whether the washer is properly grounded. Do not modify the plug provided with the washer; if it will not fit the outlet, have a proper outlet installed by a qualified electrician.

For a permanently connected washer:

The washer must be connected to a grounded metal, permanent wiring system, or an equipment-grounding conductor must be run with the circuit conductors and connected to the equipment-grounding terminal or lead on the washer.

INSTALLATION INSTRUCTIONS

We recommend that your new washer be installed by a qualified appliance technician. If you feel that you have the skills to install the washer, please read the installation instructions carefully before installing.

IMPORTANT:

- If, after completing these steps, you are unsure that the washer is properly installed, contact a qualified appliance technician.
- If your washer was just delivered and the outside temperature was below freezing, do not operate until the washer warms up to room temperature.

STEP 1 - UNPACK WASHER

! WARNING



Suffocation Hazard

To avoid danger of suffocation, keep plastic bag and other packing material away from babies and children. Do not use this bag in cribs, carriages and playpens. The plastic bag could block nose and mouth and prevent breathing. This bag is not a toy.

Failure to follow these instructions can result in death or brain damage.

⚠ WARNING

Excessive Weight Hazard

Use two or more people to move and install washer.

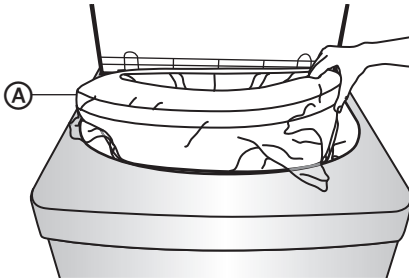
Failure to do so can result in back or other injury.

1. Remove all packing materials. This includes the foam base, molded plastic support and all adhesive tape holding the washer accessories inside and outside.

IMPORTANT: Failure to remove the packing base will cause the washer to not operate properly and will void your warranty.

- Open the lid to access the wash basket brace. Pull up on the basket brace to remove.

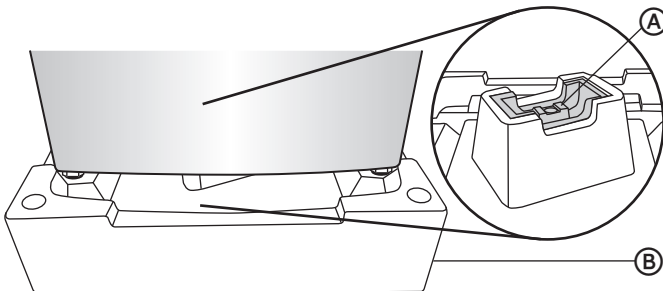
NOTE: Save the wash basket brace to use when moving the washer in the future.



(A) Wash Basket Brace

- Using two or more people, lift the washer off of the packing base and the molded plastic support.

NOTE: It is possible for the plastic support, under the U bracket, to remain attached to the bottom of the washer. Make sure it is removed with the foam base.



(A) Plastic Support

(B) Foam Base

2. Inspect the washer, and remove any remnants of packaging, tape or printed materials before using the washer.

3. Properly dispose of /recycle all packing material.

STEP 2 - INSTALL BOTTOM COVER

⚠ WARNING



Electrical Shock Hazard

Install bottom cover.

Lock all four casters prior to operating washer.

Failure to do so can result in death, electric shock or personal injury.

⚠ WARNING



Electrical Shock Hazard

Disconnect power before servicing.

Replace all parts and panels before operating.

Failure to do so can result in death or electrical shock.

1. Lay folded blankets or towels on the floor to create an incline.

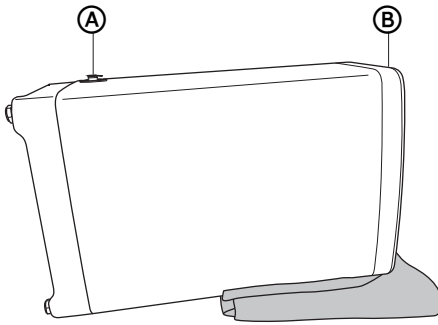
⚠ WARNING

Excessive Weight Hazard

Use two or more people to move and install washer.

Failure to do so can result in back or other injury.

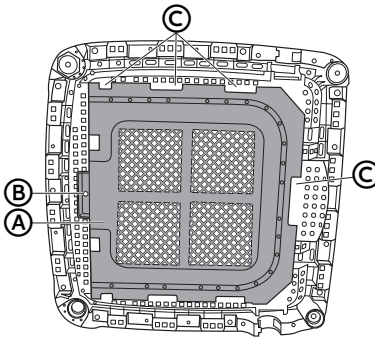
2. Using two or more people, lay the washer onto its side so that the top of the washer is higher than the base, and the drain outlet is facing upward.



- (A)** Drain Outlet
- (B)** Top of Washer

3. With the side of the bottom cover that is marked FRONT/UP toward the interior and front of the washer, align the edges of the cover with the track in the bottom of the washer.
4. From the front of the washer, slide the bottom cover fully into the track making sure the edges of the cover are behind the tabs.

NOTE: When the cover is completely inserted into the track behind the tabs, the hole for the screw will be flush and aligned with the hole in the cabinet bottom.



- (A)** Bottom Cover
- (B)** Screw Hole
- (C)** Tabs

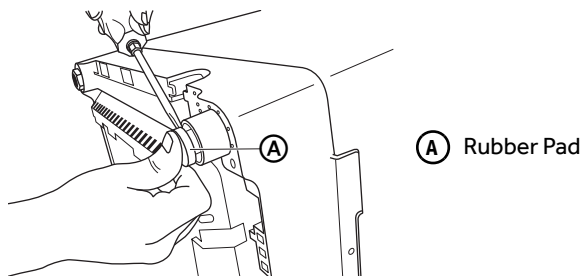
5. Using the screw (provided), fasten the bottom cover to the cabinet base.
6. If installing casters, continue with STEP 3 - INSTALL CASTERS (OPTIONAL). If not installing casters, using two or more people, stand the washer upright.

STEP 3 - INSTALL CASTERS

(Optional)

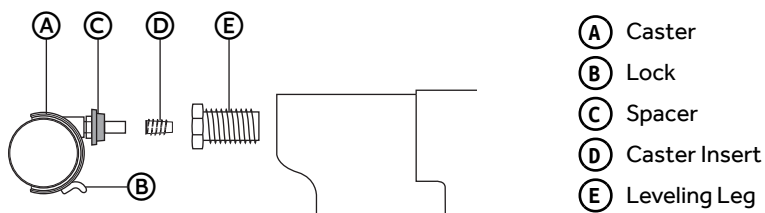
NOTE: If you later decide to install casters, you must first lay the washer on its side. See "STEP 2 - INSTALL BOTTOM COVER" for instructions on how to correctly lay the washer on its side.

1. Using a flat blade screwdriver, pry the rubber pads from the bottom of all four washer legs.



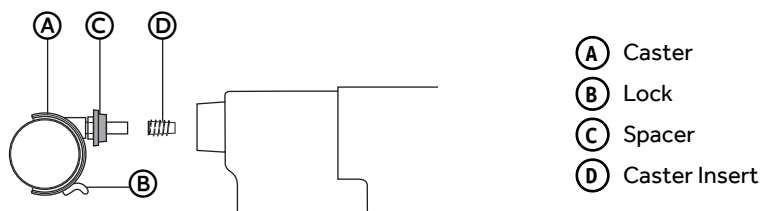
2. Install casters on the adjustable front legs.

- Unscrew the two front leveling legs from the base of the washer.
- Using the hex key (provided), thread a caster insert into each leveling leg.
- Screw the caster/spacer assembly into the inserts and then reinstall the two front leveling legs.



3. Install casters on the fixed rear legs.

- Using the hex key (provided), thread the caster inserts into the rear washer legs.
- Screw the caster/spacer assembly into the inserts.



4. Using the wrench (provided), completely tighten all casters.

⚠ WARNING**Electrical Shock Hazard**

Install bottom cover.

Lock all four casters prior to operating washer.

Failure to do so can result in death, electric shock or personal injury.

5. Lock each caster by pressing down on the caster lever.

⚠ WARNING**Excessive Weight Hazard**

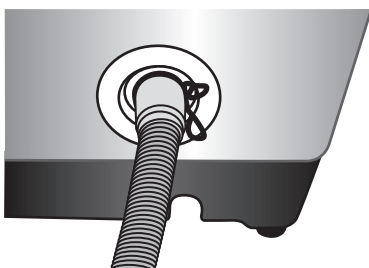
Use two or more people to move and install washer.

Failure to do so can result in back or other injury.

6. Using two or more people stand the washer upright.

STEP 4 - CONNECT AND SECURE THE DRAIN HOSE

1. Enlarge the opening by squeezing the ends of the drain hose clamp together. Slide the clamp over the end of the drain hose, and onto the flexible section of the hose.



2. Fit the drain hose rubber end over the plastic drain port on the washer.
3. Squeeze the ends of the clamp to enlarge the opening, and then slide the drain hose clamp over the connection of the drain hose rubber end and drain port. Release the clamp to tighten.
4. Place the drain hose (hook end) in a wall drain pipe, standpipe or laundry tub.

NOTE: The drain hose will shake when water is being pumped out of the washer.

5. Secure the drain hose in place by fastening it to a water hose, the standpipe, or a leg on the laundry tub. See "Drain System Requirements" for illustrations.
6. Check all hose connections to ensure the connections are tight.

STEP 5 - CONNECT THE WATER HOSES

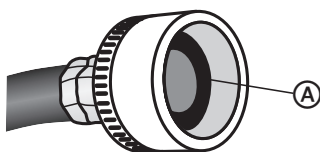
Depending on your model, the water hoses provided will be either **Style 1** or **Style 2**. Follow the instructions specific to the style of water hoses provided.

IMPORTANT: Use only new hoses when installing the washer. The water hoses must have coarse thread connectors on one end (to connect to the household water supply), and fine thread connectors on the other end (to connect to the washing machine).

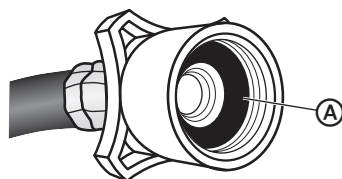
NOTE:

- Periodically inspect hoses for cracks, cuts, leaks or wear. Replace with new hoses every 5 years.
 - Hot water needs to be set at a temperature of at least 120°F - 140°F. (49°C-60°C) for the soap to dissolve and to avoid soap residue remaining on clothes.
- Check that a flat washer is present and firmly in place in each end of the water inlet hoses.

Style 1



Style 2



(A) Washer

- Thread the white end of the inlet hose by hand onto the COLD water inlet valve on the back of the washer until firmly hand tightened.

IMPORTANT:

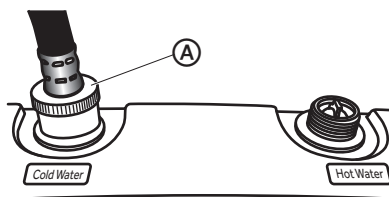
- Do not connect the gray end of the inlet hose to the washer. You will damage the threads and it will leak.
- To avoid damage to the hose couplings, do not overtighten.

Style 1 - Using pliers, tighten the connection an additional two-thirds turn (MAXIMUM). Do not use excessive force.

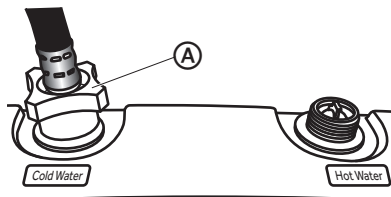
Style 2 - Do not use pliers to tighten the connection.

NOTE: To avoid damage to the washer inlet valves, do not use plumber's tape or sealants on the valve threads.

Style 1



Style 2



(A) White End Only

- Determine installation type.

- If you wish to install the washer in a fixed location, follow the instructions in the "OPTION 1 - FIXED" section.
- If you wish to install the washer in a temporary location, skip to the instructions in the "OPTION 2 - PORTABLE" section.

OPTION 1 - FIXED

1. First thread the white end of the second inlet hose onto the HOT water valve on the back of the washer until firmly hand tightened. Then, thread the gray ends of the inlet hoses onto the HOT and COLD water faucets by hand until firmly hand tightened.

Style 1 - Using pliers, tighten the three connections an additional two-thirds turn (MAXIMUM). Do not use excessive force.

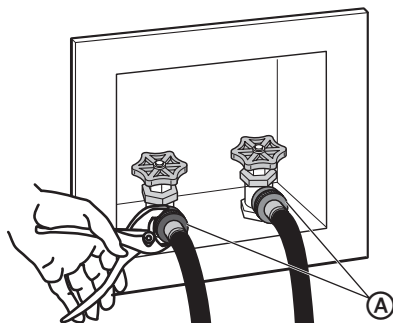
Style 2 - Do not use pliers to tighten the connections.

IMPORTANT:

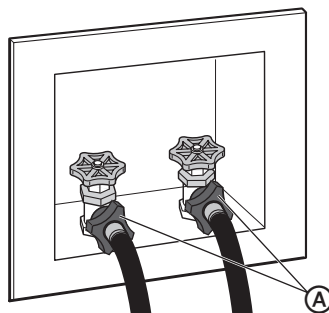
- Make sure that one hose connects the Hot water faucet to the Hot water inlet valve and the other hose connects the Cold water faucet to the Cold water inlet valve.
- To avoid damage to the hose couplings and plastic washer inlet valve threads, do not overtighten.

NOTE: To avoid damage to the faucet do not use thread seal tape or sealants on the valve threads.

Style 1



Style 2



A Gray End Only

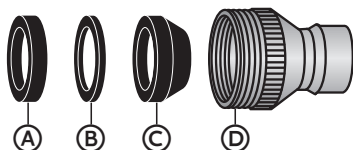
2. Turn on the hot and cold water faucets and check for leaks. If there is any leaking, check for loose connections and tighten.

OPTION 2 - PORTABLE

1. Remove the aerator from your faucet nozzle.
2. Examine the faucet to determine if it has internal or external faucet threads.

Internal threads - Keep the rubber washer (**A**) in place.

External threads - Remove the rubber washer (**A**) before threading the faucet connector onto the faucet.



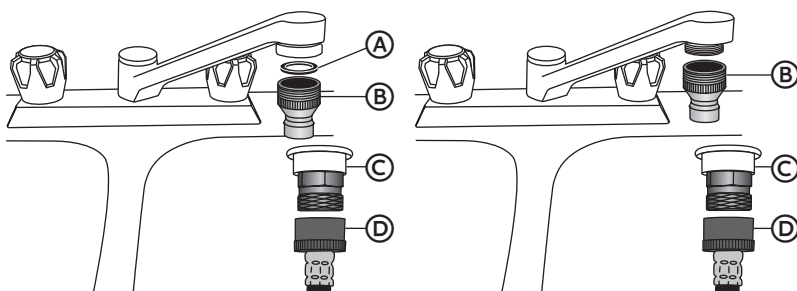
- (A) Removable Washer
- (B) Secondary Washer (Do not remove)
- (C) Washer Support (Do not remove)
- (D) Silver Faucet Connector

NOTE: The faucet connector (provided) is threaded so that it will fit MOST faucets. If the provided faucet connector does not fit your faucet, you will need to purchase a faucet connector in the correct size.

3. Thread the silver faucet connector onto the faucet.

Internal Threads

External Threads



- (A) Rubber Washer
- (B) Silver Faucet Connector
- (C) Quick-sink Faucet Adapter
- (D) Water Inlet Hose - Gray End Only

4. Attach the quick-sink faucet adapter by hand to the gray end of the inlet hose until firmly hand tightened making sure the pre-installed flat washer is between the hose and the adapter. Then follow additional tightening instructions for **Style 1** or **Style 2**.

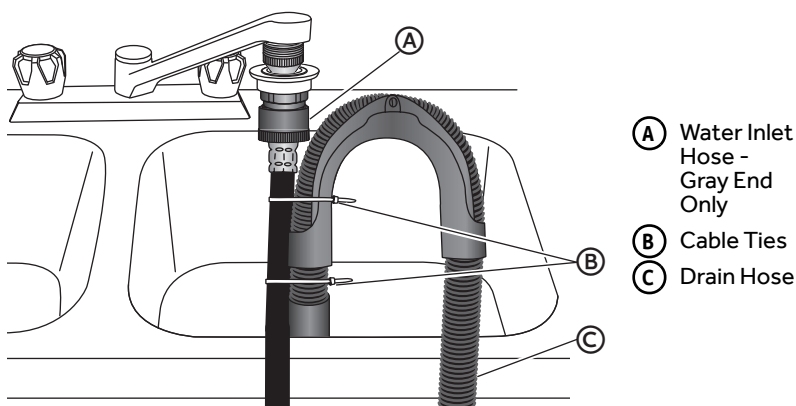
Style 1 - Using pliers, tighten the connection an additional two-thirds turn (MAXIMUM). Do not use excessive force.

Style 2 - Do not use pliers to tighten the connection.

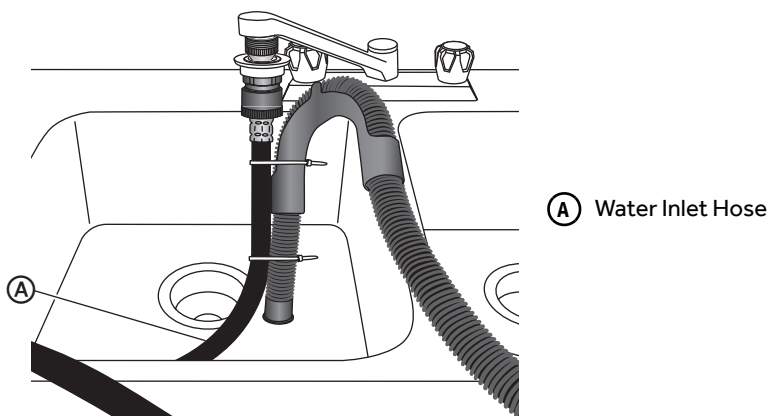
IMPORTANT: To avoid damage to the hose couplings, do not overtighten.

NOTE: To avoid damage to the faucet, do not use plumber's tape or sealants on the valve threads.

5. Attach the quick-sink faucet adapter to the silver faucet connector by pulling down on the white collar while pushing upwards on the faucet. Release the white collar and it will lock into place.
6. Turn on the water faucet and check for leaks. If there is any leaking:
 - Check for loose connections and tighten.
 - Make sure the gray end is connected to the Quick-sink Faucet Adapter and the white end is connected to the washing machine.
7. Using two cable ties, fasten the water inlet hose to the drain hose so that the hoses will stay in place.



IMPORTANT: Place the extra hose length (slack) inside the sink to avoid strain and possible damage to the water faucet.



NOTE: The water faucet must be kept on during the entire wash cycle for proper washing and rinsing of the clothes load.

STEP 6 - LEVEL THE WASHER

IMPORTANT: Proper leveling of the washer will help reduce noise and vibration.

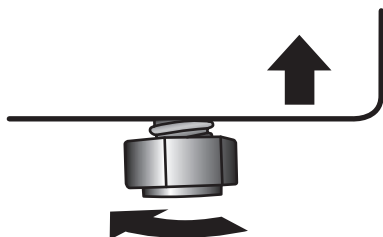
⚠ WARNING

Excessive Weight Hazard

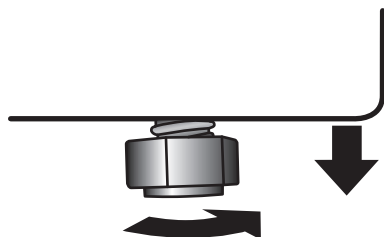
Use two or more people to move and install washer.
Failure to do so can result in back or other injury.

1. Move washer to its final location. Check that the water and drain lines are not strained or pinched. Make sure that all four legs are firmly in contact with the floor and that the washer rests solidly in position.
2. Using a carpenter's level, check that the washer is level from side to side and from front to back.
3. If the washer is not level, adjust the leveling legs. Turn the legs to the left to extend (raise the washer) or to the right to retract (lower the washer).

Raise



Lower



STEP 7 - COMPLETE INSTALLATION

⚠ WARNING



Electrical Shock Hazard

Plug into a grounded 3 prong outlet.

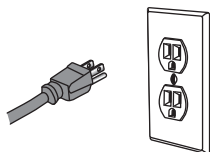
Do not remove the ground prong from the power cord plug.

Do not use an adapter.

Do not use an extension cord.

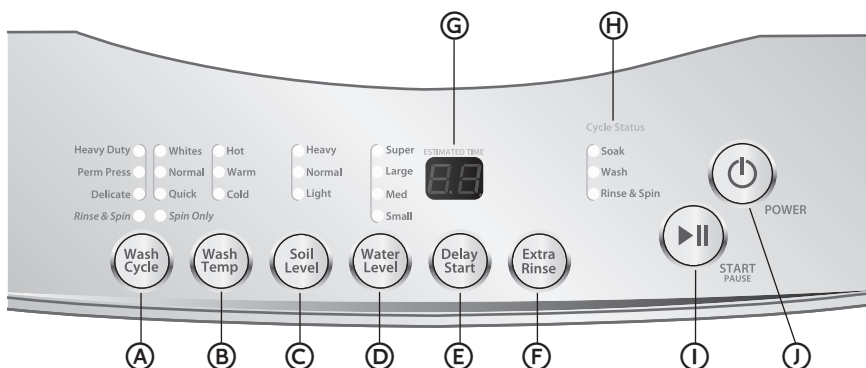
Failure to do so can result in death, fire or electrical shock.

1. Plug the washer into a grounded 3 prong outlet.
2. Check that water faucet(s) is turned on.
3. Dispose of/recycle all packaging materials.
4. Run a normal wash cycle using detergent to test and clean the washer. See the "Washer Use" section.



CONTROL PANEL AND FEATURES

CONTROL PANEL



A WASH CYCLE BUTTON

Press the Wash Cycle button to select the desired cycle for your wash load.

The standard default settings of each cycle will be displayed; the default settings can be changed by using the Setting buttons - Wash Temp, Soil Level, and Water Level.

There are 6 wash cycles and 2 specialty cycles from which to choose:

WASH CYCLES

Heavy Duty - Use this cycle for heavily soiled, durable, colorfast garments.

Whites - Use this cycle to deep clean white garments.

Perm Press - Use this cycle for wrinkle-free clothing, cotton/poly blend fabrics, and dress shirts and pants.

Normal - Use this cycle for normally soiled cottons and mixed garment loads.

Delicate - Use this cycle to gently wash delicate garments and lingerie with sheer fabrics with lace trim.

Quick - Use this cycle to wash small loads of lightly soiled clothing.

SPECIALTY CYCLES

Rinse & Spin - Use this cycle to relax wrinkles, remove excess detergent, and refresh clean garments.

Spin Only - Use this cycle to extract water from sink washed or clean wet garments.

B WASH TEMP BUTTON

Press the Wash Temp button to select a wash temperature; all rinses use cold water. For best results follow your garment label instructions and use the warmest water temperature that is safe for your fabric.

NOTE: Not all wash water temperatures are available for all wash cycles.

C SOIL LEVEL BUTTON

Press the Soil Level button to select the soil level that is most appropriate for your load. Based on the soil level, the wash time will increase or decrease by 4-8 minute increments in the Estimated Time Remaining Display.

There are 3 soil levels from which to choose. - Heavy, Normal, Light

D WATER LEVEL BUTTON

Press the Water Level button to select an appropriate water level for your load. Small is the lowest water level and Super is the highest.

E DELAY START BUTTON

- Press the Delay Start button to delay the start of your wash cycle between 1 - 24 hours in one hour increments.
- The number of hours will be shown in the Estimated Time Remaining Display. Each press of the Delay Start Button will increase the time by 1 hour.
- One button press after 24 will cancel the Delay Start feature. You can also cancel the Delay Start feature by pressing the power button to turn off the washer.
- Press the Start/Pause button to begin the countdown.

F EXTRA RINSE BUTTON

Press to add an extra rinse to your wash cycle.

NOTE: Some cycles have this option as a default. See the Cycle Guide for details.

G ESTIMATED TIME DISPLAY

- The Estimated Time display shows the estimated cycle time in minutes.
- When using the Delay Start feature, this display will show the hours/minutes remaining as it counts down to the time set for the wash cycle to start.

H CYCLE STATUS INDICATORS

- The Cycle Status lights indicate the stages of the selected cycle.

I START/PAUSE BUTTON

Press the Start/Pause button to start a selected cycle or to pause an operating cycle.

NOTE: After starting the wash cycle, you must pause the operating cycle to change the Wash Temp, Soil Level and Water Level settings.

J POWER BUTTON

Press POWER to turn on and off the washer.

IMPORTANT:

- Turning off power by pressing the Power button does NOT disconnect the washer from the power supply.
- If the washer is powered on, but the Start/Pause button is not pressed within 5 minutes, the washer will turn off automatically.

CYCLE GUIDE

IMPORTANT:

- Do not wash, spin, or dry water-proof seats, mats or clothing.
- Check garment label laundering instructions to select the proper washer settings. The wrong settings could damage and discolor clothing. Certain garments should be dry-cleaned only.

NOTE: To protect your wash load, all options and settings are not available for all cycles. The shaded boxes indicate the default settings for each cycle.

CYCLE	FABRIC TYPE	WASH PROCESS	EST TIME (min.)	WASH TEMP	SOIL LEVEL	WATER LEVEL	EXTRA RINSE ^a
Heavy Duty	Heavily soiled, durable, colorfast fabrics	12 Min Soak 25 Min Wash Rinse Spin	68	Warm	Normal	Medium	•
				Hot Cold	Heavy Light	Super Large Small	
Whites	White garments	12 Min Soak 25 Min Wash Rinse Spin	75	Hot	Normal	Medium	•
				Warm Cold	Heavy Light	Super Large Small	
Perm Press	Wrinkle-free and synthetic fabrics	16 Min Wash Rinse Spin	35	Warm	Normal	Medium	•
				Cold	Heavy Light	Super Large Small	
Normal	Cottons, linens, and mixed garments	16 Min Wash Spray Rinse Spin	40	Warm	Normal	Medium	•
				Hot Cold	Heavy Light	Super Large Small	
Delicate	Lingerie, sheer fabrics, with lace trim	10 Min Wash Rinse Spin	29	Warm	Normal	Medium	•
				Cold	Heavy Light	Super Large Small	
Quick	Cottons, linens, and mixed garments	9 Min Wash Rinse Spin	23	Warm	Normal	Medium	•
				Hot Cold	Heavy Light	Super Large Small	
Rinse & Spin	Unsoiled garments	Rinse Spin	17	Cold only	Normal only	Medium	•
					Super Large Small		
Spin Only	Clean, soaking wet garments	Spin	06	N/A	Normal only	N/A	

^a Extra Rinse will add between 7 and 10 minutes depending on the cycle selected.

WASHER USE

IMPORTANT: To reduce the risk of fire, electric shock, or injury to persons, read the IMPORTANT SAFETY INSTRUCTIONS before operating this appliance.

STEP 1 - PREPARE AND SORT LAUNDRY

⚠ WARNING



Fire Hazard

Never place items in the washer that are dampened with gasoline or other flammable fluids.

No washer can completely remove oil.

Do not dry anything that has ever had any type of oil on it (including cooking oils).

Failure to do so can result in death, explosion, or fire.

IMPORTANT: Do not wash, spin, or dry water-proof seats, mats or clothing.

PREPARE LAUNDRY

- Check garment labels for manufacturer's washing instructions.
- Empty pockets and turn them inside out.
- Turn down cuffs and remove any lint or dirt.
- Tie strings and sashes so they don't tangle.
- Close zippers, snaps and hooks to avoid snagging.
- Remove loose items (pins, bobby pins, coins, rings, earrings, napkins, etc.) from clothes to avoid scratching the wash basket or clogging the drain pump.
- Pretreat all stains and heavily soiled areas.
- Turn synthetic and wool knits inside out to avoid pilling.

SORT LAUNDRY

- Sort laundry by the type of wash cycle required (water temperature and wash action).
- Separate light colors from dark colors and colorfast items from non-colorfast items.
- Separate heavy duty fabrics from light weight fabrics.
- Separate fabrics that attract lint from fabrics that produce lint.
- Separate bulky items such as blankets or pillows.

STEP 2 - ADD FABRIC CARE PRODUCTS

ADD DETERGENT

- Use only High Efficiency detergent. HE detergents are specifically formulated with ingredients to avoid problems caused by excessive sudsing. Excess suds will prevent the complete rinsing of detergent residue from clothes.



- Determine the amount of detergent. Follow the detergent use instructions on the container.

NOTE: The proper amount of detergent depends on the size of the load, the soil level of the clothes, and the softness of the water being supplied to the washer.

- If you select the Quick cycle, it is recommended that you use a liquid laundry detergent to achieve optimum results. Powdered detergent may not dissolve fast enough to clean well in this cycle.

LIQUID DETERGENT

1. Fill washer with a small amount of water and pour liquid detergent directly into the wash basket. Liquid color safe bleach can be added with the liquid detergent.

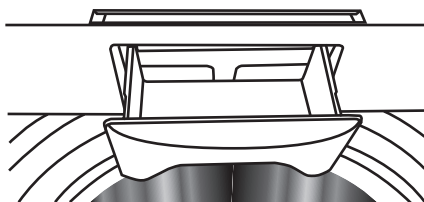
NOTE:

- For best results, add the detergent to the wash basket before loading with laundry.
- Do not pour liquid detergent into the powdered detergent dispenser, it can drip onto clothing and cause damage.

2. Run washer for 30 seconds to dissolve detergent completely.

POWDERED DETERGENT

- Pour measured powdered detergent directly into the powdered detergent dispenser.

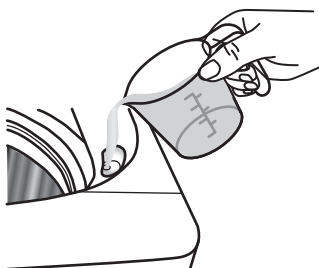


ADD BLEACH (IF DESIRED)

IMPORTANT: Be careful not to spill undiluted bleach onto the washer cabinet or your clothes. Chlorine bleach is a strong chemical that may damage clothes or the finish of the washer.

NOTE:

- Use only liquid bleach in this dispenser.
 - Add bleach to the bleach dispenser at the same time as you add the detergent.
1. Follow manufacturer's recommendations on garment label for use of bleach.
 2. Pour measured liquid chlorine bleach into the liquid bleach dispenser.



3. The liquid bleach in the dispenser is dispensed immediately.

STEP 3 - LOAD THE WASHER

1. Open the washer lid and load clothes evenly and loosely in the wash basket for a balanced load.
2. Close the washer lid.

NOTE:

- Do not overload or stuff items into the wash basket.
- The washer will not pulsate or spin with the lid open.

STEP 4 - START THE WASHER

Follow the operation instructions specific to your type of installation.

FIXED INSTALLATION

1. Press the Power button to turn on the washer.
2. Press the Wash Cycle button to select a wash cycle.
3. Adjust the default settings and options if desired.
4. Press the Start/Pause button to start the wash cycle.

PORTABLE INSTALLATION

1. Press the Power button to turn on the washer.
2. Press the Wash Cycle button to select a wash cycle.
3. Adjust the default settings and options if desired.

NOTE:

- The temperature of the water supplied to the washer is determined by the temperature of the water coming out of the faucet NOT by the Wash Temp control. Temperature settings can be modified but will have no effect on the water temperature.
- Open the water faucet valve completely and leave it fully open until the wash cycle has finished.

IMPORTANT: The washer will not fill to the correct water level unless the inlet hose is connected to the COLD water inlet valve on the washer.

4. Press the Start/Pause button to start the wash cycle.

WASHER CARE

IMPORTANT: Avoid storing heavy objects such as jars or cans above the washer lid. Dropping a heavy or hard object onto the washer lid could cause it to break.

⚠ WARNING



Electrical Shock Hazard

Disconnect power before cleaning.

Failure to do so can result in death or electrical shock.

CLEANING AND MAINTENANCE

IMPORTANT: Before using cleaning products, always read and follow manufacturer's instructions and warnings to avoid personal injury or product damage.

1. Unplug or disconnect power.
 - Use only a damp or sudsy cloth for cleaning the control panel.
 - If you spill liquid/powdered detergent, softener or bleach on the cabinet, wipe the cabinet immediately to avoid damage to the finish.
 - Do not use abrasive cleansers, harsh chemicals, ammonia, chlorine bleach, concentrated detergent, or solvents to clean the exterior of the washer. These chemicals may damage or discolor the washer.
 - After washing clothes, leave the lid open so that moisture inside the machine can evaporate and to prevent the growth of mold or mildew.
2. Plug in or reconnect power.

CLEANING THE POWDERED DETERGENT DISPENSER

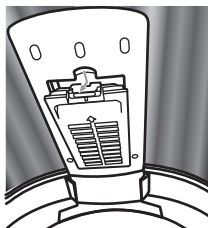
1. Pull the dispenser drawer out to the stop and lift up slightly to remove.
2. Rinse the dispenser with warm water and dry it thoroughly with a soft cloth.
3. Insert the drawer at a slightly downward angle and push it back into place.

CLEANING THE BLEACH DISPENSER

- To remove residue, wipe with a damp cloth and towel dry.
- Do not attempt to remove the compartments or trims for cleaning.

CLEANING THE LINT FILTER

1. Push down on the tab at the top of the filter to release the filter from the wash basket.



2. Turn the filter over so the back side of the filter is facing upward.
3. While holding the filter firmly with one hand, lift up on the bottom of the filter to separate the front of the filter from the back, so you can access the filter screen.
4. Clean the filter screen and replace the back of the filter.
5. Wipe any lint residue away from the filter housing sides with a soft cloth.
6. Slide the filter into the wash basket and firmly press it into place.

IMPORTANT: Both lint filters must be in place during the wash cycles. Clean the lint screens after each wash load.

CLEANING THE WASH TUB

The washer interior should be cleaned once a month to reduce the buildup of soap film and to help keep the wash system odor free.

1. Make sure the washer is empty.
2. Pour 1 cup (250 ml) of liquid chlorine bleach into the bleach dispenser.

IMPORTANT: Do not add detergent to the wash basket, and do not use more than 1 cup of bleach to avoid damaging the washer.

3. Close the washer lid.
4. Press the Power button to turn on the washer.
5. Press the Wash Cycle button to select Whites.

IMPORTANT: Do not clean the wash tub when clothes are in the washer. This may damage laundry or cause a problem with the washer.

6. If connected to a sink faucet, turn on the hot water.
7. Press the Start/Pause button to begin the cycle.

NOTE: For best cleaning results, allow the wash cycle to complete. If you need to interrupt the cycle, press the Power button to turn off the washer. Then, run a Rinse & Spin cycle to ensure the bleach is completely removed. The bleach must be thoroughly rinsed out of the washer before washing clothes.

VACATIONING

1. Unplug or disconnect power.
2. Turn off both the cold water and hot water supply faucets. This will eliminate the potential for damage to your home if a water hose ruptures or leaks.
3. Dry the wash basket.
4. Leave the lid open so that moisture inside the machine can evaporate and to prevent the growth of mold or mildew.

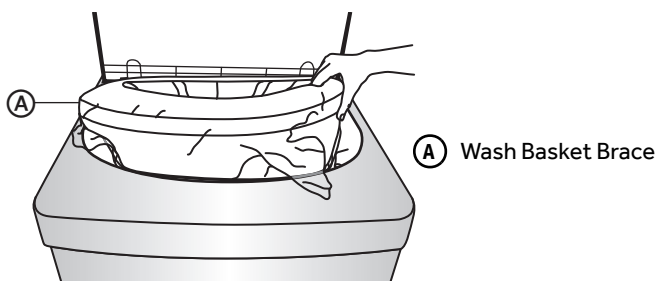
MOVING OR STORAGE PREPARATION

IMPORTANT: Do not store your washer in a cold environment where temperatures fall below freezing. Water remaining in the washer will freeze and cause damage to the washer. Store at room temperature.

In addition to performing the Vacationing steps, complete the following steps:

1. Unplug or disconnect power.
2. Disconnect the water hoses and the drain hose and place them into the wash basket.
3. Turn the leveling legs so that they are fully retracted into the washer cabinet.

- If moving the washer, place the wash basket brace from the original packing materials back into the top of the washer opening. Use masking tape to secure the washer lid.



- Move and store your washer in an upright position only.

REINSTALLING/USING WASHER AGAIN

⚠ WARNING



Electrical Shock Hazard

Plug into a grounded 3 prong outlet.

Do not remove the ground prong from the power cord plug.

Do not use an adapter.

Do not use an extension cord.

Failure to do so can result in death, fire or electrical shock.

To reinstall washer after non-use, vacation, winter storage, or moving:

- Refer to Installation Instructions to unpack, locate, level, and connect washer.
- Before using again, run washer through the following recommended procedure:

To use washer again:

- Flush water pipes and hoses. Reconnect water inlet hoses. Turn on both water faucets.
- Plug in washer or reconnect power.
- Run the washer through a wash cycle to clean the wash tub and remove antifreeze, if used. Use only HE High Efficiency detergent. Use only half the amount recommended by the manufacturer for a medium-size load.

TROUBLESHOOTING

First try the solutions suggested here to possibly avoid the cost of a service call.

⚠ WARNING



Electrical Shock Hazard

Disconnect power before servicing.

Replace all parts and panels before operating.

Failure to do so can result in death or electrical shock.

ERROR CODES

When the washer senses an error all machine operations will stop, a series of 4 beeps will sound and an error code will be shown in the Estimated Time remaining display.

ERROR CODE	DESCRIPTION	POSSIBLE CAUSE AND SOLUTION
dO (Washer Lid is Open)	The washer has detected that the lid is open.	If the lid is opened during the wash cycle, the wash cycle will stop. Closing the lid should dismiss the error and resume normal operation.
Ld (Too Long to Drain)	The washer has detected that it is taking too long to completely drain water from the wash tub.	See Water in the "Troubleshooting" section. Call service center at 1-877-337-3639.
UL (Unbalanced Load)	The washer has detected an out of balance load and has failed to self-correct the condition.	Open the washer lid, redistribute the load, close the lid, and press the Start/Pause button to resume operation.
	The washer is not level from side to side, or from front to back.	Level the washer, open and close the washer lid and press the Start/Pause button to resume operation.
LF (Too Long to Fill)	The washer senses that it is taking too long to fill the wash tub or does not read a change in water level during a fill.	See Water in the "Troubleshooting" section. Check for water leakage. Call service center at 1-877-337-3639.

ERROR CODE	DESCRIPTION	POSSIBLE CAUSE AND SOLUTION
FA (Water Level Sensor Error)	The washer has detected water level sensor errors.	Call service center at 1-877-337-3639.
F2 (Water Level is Too High)	The washer has detected higher than normal water levels, automatic draining has not resolved the issue.	Call service center at 1-877-337-3639.

OPERATION

PROBLEM	POSSIBLE CAUSE(S)	SOLUTION
Washer does not run	There is no electrical power going to the washer.	Plug the power cord into a grounded 3 prong outlet.
	Circuit breaker tripped or fuse blown	Reset/Turn on circuit breaker or replace fuse.
	The washer is overloaded or the wash load is not balanced.	Laundry may need to be removed or redistributed to rebalance the load.
	The Heavy Duty or Whites cycle was selected.	The washer pauses during cycles for the laundry to soak. When the soak time ends, the washer will restart automatically.
	Delay start has been selected.	Cancel the delay start.
	The washer lid is open.	Close the washer lid.

WATER

PROBLEM	POSSIBLE CAUSE(S)	SOLUTION
Water flow is slow or filling takes a long time	Hose filter screens on the water inlet valves may be clogged.	Disconnect hoses from inlet valves and clean the screens.
	Water inlet faucets are not fully turned on.	Make sure that the water faucets are fully turned on.
	Water fill hose is kinked.	Make sure the water hoses are not tangled, kinked, or pinched.
	There is no water supply to the house or the water pressure is too low.	Check another faucet in the house to make sure that household water pressure is adequate.
Water temperature is too warm or cold	Water heater temperature is not set correctly.	Hot water needs to be at a temperature of at least 120°F -140°F (49°C - 60°C).

PROBLEM	POSSIBLE CAUSE(S)	SOLUTION
	Water inlet hoses are not connected correctly.	Make sure the inlet hoses are properly connected (hot to hot and cold to cold).
Water leaks	Water hose connections are not tight.	Make sure the inlet hose connections at the faucets and washer are tight.
	Drain hose connection is not secure or the hose is not properly positioned in the drain.	Make sure the drain hose connection at the washer is secure and that the drain hose is properly positioned at the drain location.
	Undetermined water leaks	Call a qualified plumber.
Water will not drain from washer	Drain hose is not properly connected to the washer.	Reconnect drain hose to the washer.
	Drain hose is not positioned properly.	In order to drain properly, the top of drain outlet must not be higher than 60" (153 cm) above the floor.
	Sink or drainpipe is clogged.	Remove blockages from the sink or drainpipe.
Water runs out of drain hose when tub is filling	The end of the drain hose is too low. NOTE: If the end of the drain hose is lower than the maximum tub water level, the wash tub will not fill or hold water properly.	Position the top of the drain hose so that it is at least 39" (99 cm) above the floor.

NOISE

PROBLEM	POSSIBLE CAUSE(S)	SOLUTION
Thumping	Wash load may be unbalanced.	Pause the washer and redistribute items in the wash basket.
	Washer may not be level.	Level the washer. See "Level the Washer."
Rattling or Clanking	Coins, buttons or other foreign objects may be in the washer.	Stop the washer and check for keys or coins and other foreign objects.
Squealing	Washer may be overloaded.	Stop the washer and remove part of the wash load.
Vibration	Washer may not be level.	Check that all four legs are resting firmly on the floor and that the washer is level.

PROBLEM	POSSIBLE CAUSE(S)	SOLUTION
Clinking/Water splashing and spraying	Wash and rinse cycles going on and off.	This sound is normal.
Water running	Drain pump is draining dirty water from the washer.	This sound is normal.

CLOTHING

PROBLEM	POSSIBLE CAUSE(S)	SOLUTION
Wrinkling	Improper wash load sorting, overloading or washing at the wrong temperature.	Avoid overloading and do not mix heavy clothing with light or delicate items.
Detergent residue	Detergent may not completely dissolve in extremely cold water.	Select a warm water wash temperature and make sure the hot water heater is providing hot water; at least 120°F (49°C). Use less HE detergent Use the Extra Rinse option.
Excessive sudsing or low cleaning performance	Used too much detergent.	Use less HE detergent.
	Used wrong detergent type.	Must use HE detergent
Odor coming from washer basket	Wet clothing remained in the washer for too long.	Remove clothing immediately after cycle is finished.
	The lint filters need to be cleaned.	Clean the lint filters after each cycle. See "Cleaning and Maintenance."
Clothing is gray or yellowed	Wash load was not separated by color.	Separate darks from lights and whites to avoid the transfer of dyes.
	Did not use enough detergent or the soil level of the wash load requires a warmer water temperature.	Large and heavily soiled laundry may need more detergent and hotter wash water. Refer to detergent manufacturer's directions for recommended usage.
Clothing is torn or snagged	Wash load is not prepared for laundering.	Tie strings and sashes. Empty pockets, fasten belts, and close zippers, metal snaps or hook fasteners before loading.
Bleach Stains NOTE: Bleach stains may appear as color loss spots.	Laundry has direct contact with bleach.	Do not pour or splash bleach directly on clothing. If you are using the dispenser and still notice stains, try using diluted bleach.

PROBLEM	POSSIBLE CAUSE(S)	SOLUTION
Clothing appearing older and worn	Using the wrong wash cycle or water temperature.	Follow clothing manufacturer's instructions for garment care.

FOR MORE HELP, VISIT HAIERAMERICA.COM OR CALL THE CONSUMER HELP LINE AT 1-877-337-3639.

LIMITED WARRANTY

IN-HOME SERVICE

FULL ONE YEAR WARRANTY

For 12 months from the date of original retail purchase, Haier will repair or replace any part free of charge including labor that fails due to a defect in materials or workmanship.

Haier may replace or repair at their sole discretion any part or subsystem including the entire product.

Product must be accessible, without encumbrance and installed properly to receive warranty repair service.

LIMITED WARRANTY

After one year from the original retail purchase date, Haier will provide a part at no cost, as indicated below, to replace said part as a result of a defect in materials or workmanship. Haier is solely responsible for the cost of the part. All other costs such as labor, trip charge, etc are the responsibility of the owner.

Second through Fifth Year

Haier will provide the outer washtub and related outer tub assembly parts should the part fail to hold water.

Second through Seventh Year

Haier will provide the inner stainless steel wash basket if defective in material or workmanship.

NOTE: This warranty commences on the date the item was purchased, and the original purchase receipt must be presented to the authorized service representative before warranty repairs are rendered.

Exceptions: Commercial Use Warranty

90 days labor from date of original purchase

90 days parts from date of original purchase

No other warranty applies.

FOR WARRANTY SERVICE

All service must be performed by a Haier authorized service center. For the name and telephone number of the nearest authorized service center, please call 1-877-337-3639.

Before calling please have available the following information:

Model number and serial number of your appliance. The name and address of the dealer you purchased the unit from and the date of purchase.

A clear description of the problem.

A proof of purchase (sales receipt).

This warranty covers home appliance services within the contiguous United States and Canada and where available in Alaska, Hawaii and Puerto Rico.

What is not covered by this warranty:

Replacement or repair of household fuses, circuit breakers, wiring or plumbing.

A product whose original serial number has been removed or altered.

Any service charges not specifically identified as normal such as normal service area or hours.

Damage to clothing.

Damage incurred in shipping.

Damage caused by improper installation or maintenance.

Damage from misuse, abuse accident, fire, flood, or acts of nature.

Damage from service other than an authorized Haier dealer or service center.

Damage from incorrect electrical current, voltage or supply.

Damage resulting from any product modification, alteration or adjustment not authorized by Haier.

Adjustment of consumer operated controls as identified in the owner's manual.

Hoses, knobs, lint trays and all attachments, accessories and disposable parts.

Labor, service transportation, and shipping charges for the removal and replacement of defective parts beyond the initial 12-month period.

Damage from other than normal household use.

Any transportation and shipping charges.

THIS LIMITED WARRANTY IS GIVEN IN LIEU OF ALL OTHER WARRANTIES, EXPRESSED OR, INCLUDING THE WARRANTIES OF MERCHANTABILITY AND FITNESS FOR A PARTICULAR PURPOSE

The remedy provided in this warranty is exclusive and is granted in lieu of all other remedies.

This warranty does not cover incidental or consequential damages, so the above limitations may not apply to you. Some states do not allow limitations on how long an implied warranty lasts, so the above limitations may not apply to you.

This warranty gives you specific legal rights, and you may have other rights, which vary from state to state.

Haier America
Wayne, NJ 07470

RECORD KEEPING

Thank you for purchasing this Haier product. This user manual will help you get the best performance from your new washer.

For future reference, record the model and serial number located on back of the washer, and the date of purchase.

Staple your proof of purchase to this manual to aid in obtaining warranty service if needed.

Model number

Serial number

Date of purchase

ÍNDICE

SEGURIDAD DE LA LAVADORA	79
PIEZAS Y CARACTERÍSTICAS	82
REQUISITOS DE INSTALACIÓN	83
Herramientas y piezas	83
Requisitos de ubicación	84
Requisitos del suministro de agua	84
Requisitos del sistema de desagüe	84
Requisitos eléctricos	86
INSTRUCCIONES DE INSTALACIÓN	88
Paso 1 - Desempaque de la lavadora	89
Paso 2 - Instalación de la cubierta de la parte inferior	90
Paso 3 - Instalación de las ruedecillas	92
Paso 4 - Conecte y asegure la manguera de desagüe	93
Paso 5 - Conecte las mangueras de agua	94
Paso 6 - Nivele la lavadora	98
Paso 7 - Complete la instalación	99
PANEL DE CONTROL Y CARACTERÍSTICAS	100
Panel de control	100
Guía de ciclos	102
USO DE LA LAVADORA	103
Paso 1 - Prepare y separe las prendas	104
Paso 2 - Agregue los productos para el cuidado de las telas	105
Paso 3 - Cargue la lavadora	106
Paso 4 - Ponga la lavadora en marcha	106
CUIDADO DE LA LAVADORA	107
Limpieza y mantenimiento	107
Vacaciones	109
Preparación para la mudanza o el almacenaje	109
Cómo volver a instalar o usar la lavadora nuevamente	110
SOLUCIÓN DE PROBLEMAS	111
Códigos de error	111
Funcionamiento	112
Agua	112
Ruido	114
Ropa	114
GARANTÍA LIMITADA	116
INFORMACIÓN A TENER EN CUENTA	117

SEGURIDAD DE LA LAVADORA

Su seguridad y la seguridad de los demás es muy importante.

Hemos incluido muchos mensajes importantes de seguridad en este manual y en su electrodoméstico. Lea y obedezca siempre todos los mensajes de seguridad.



Este es el símbolo de advertencia de seguridad.

Este símbolo le llama la atención sobre peligros potenciales que pueden ocasionar la muerte o una lesión a usted y a los demás. Todos los mensajes de seguridad irán a continuación del símbolo de advertencia de seguridad y de la palabra "PELIGRO", "ADVERTENCIA" o "PRECAUCIÓN".

Estas palabras significan:

⚠ PELIGRO

Se trata de una situación de peligro inminente. Si no sigue las instrucciones de inmediato, usted puede morir o sufrir una lesión grave.

⚠ ADVERTENCIA

Se trata de una situación posiblemente peligrosa que, de no evitarse, podría causar la muerte o una lesión grave.

⚠ PRECAUCIÓN

Se trata de una situación posiblemente peligrosa que, de no evitarse, podría causar lesiones moderadas o leves.

Todos los mensajes de seguridad le dirán el peligro potencial, le dirán cómo reducir las posibilidades de sufrir una lesión y lo que puede suceder si no se siguen las instrucciones.

INSTRUCCIONES IMPORTANTES DE SEGURIDAD

ADVERTENCIA: Para reducir el riesgo de incendio, choque eléctrico, lesiones a personas o daños al utilizar la lavadora, siga precauciones básicas, incluyendo las siguientes:

- Lea todas las instrucciones antes de usar este aparato.
- Use este aparato solamente para el propósito que fue diseñado, como se describe en este manual para el usuario.
- No coloque artículos que hayan sido previamente limpiados, lavados, puestos en remojo o manchados con gasolina, disolventes de limpieza en seco u otras sustancias inflamables o explosivas en el agua de lavado. Estas sustancias despiden vapores que pueden encenderse o causar una explosión.
- Es necesario supervisar cuidadosamente a los niños si los mismos usan el aparato o cuando éste se use cerca de ellos. No permita que los niños jueguen con o sobre este aparato ni en el interior del mismo.
- No use la lavadora con propósitos de lavandería comercial.
- Bajo ciertas condiciones, puede generarse gas hidrógeno en un sistema de agua caliente que no se haya usado por dos semanas o un periodo mayor. **EL GAS HIDRÓGENO ES EXPLOSIVO.** Si no se ha usado el sistema de agua caliente durante dicho periodo, antes de usar una máquina de lavar, abra todos los grifos de agua caliente y deje que corra el agua de cada uno por varios minutos. Esto liberará todo el gas hidrógeno que se haya acumulado. Debido a la inflamabilidad de dicho gas, no fume ni use una llama abierta durante este lapso.
- Antes de usarse este aparato, deberá ser debidamente instalado y ubicado de acuerdo a las instrucciones de instalación.
- No guarde este aparato ni lo instale en donde se verá expuesto a temperaturas por debajo del punto de congelación ni expuesto a las inclemencias del tiempo, ya que esto puede ocasionar daños al mismo.
- El aparato deberá ser conectado a tierra como es debido, para que cumpla con todos los códigos y ordenanzas eléctricos. Vea la sección "Requisitos eléctricos".
- Mantenga el área alrededor del aparato libre de materiales combustibles, tales como pelusa, papel, trapos o productos químicos.
- No agregue gasolina, solventes para limpiar en seco u otras sustancias inflamables o explosivas al agua de lavado. Estas sustancias despiden vapores que pueden encenderse o causar una explosión.
- No introduzca las manos en el aparato si la canasta de lavado, la tina o el agitador se está moviendo.
- No trate de forzar los controles.
- No se pare en la parte superior de la lavadora.
- Si el cable de suministro o el cable eléctrico están dañados, póngase en contacto con el centro de servicio técnico más cercano. No use un cable de suministro dañado.

INSTRUCCIONES IMPORTANTES DE SEGURIDAD

- Para reducir al mínimo la posibilidad de un choque eléctrico, desenchufe este aparato del suministro de energía antes de intentar realizar el mantenimiento o la limpieza.
NOTA: Al desconectar la alimentación con el botón de encendido NO desconectará el aparato del suministro de energía.
- No intente proveer servicio, reparación ni reemplazar ninguna parte del aparato a menos que esto se recomiende específicamente en este manual o en instrucciones de reparación publicadas para el usuario que usted comprenda y si cuenta con la experiencia necesaria para llevar a cabo dicha reparación.
- Antes de desechar la lavadora o de retirarla del servicio, quítele la puerta o la tapa.
- No ponga en marcha el aparato si hubiera piezas faltantes o rotas.
- No ponga en marcha este aparato, salvo que todos los paneles de la carcasa estén colocados debidamente en su lugar.

LEA Y GUARDE ESTAS INSTRUCCIONES

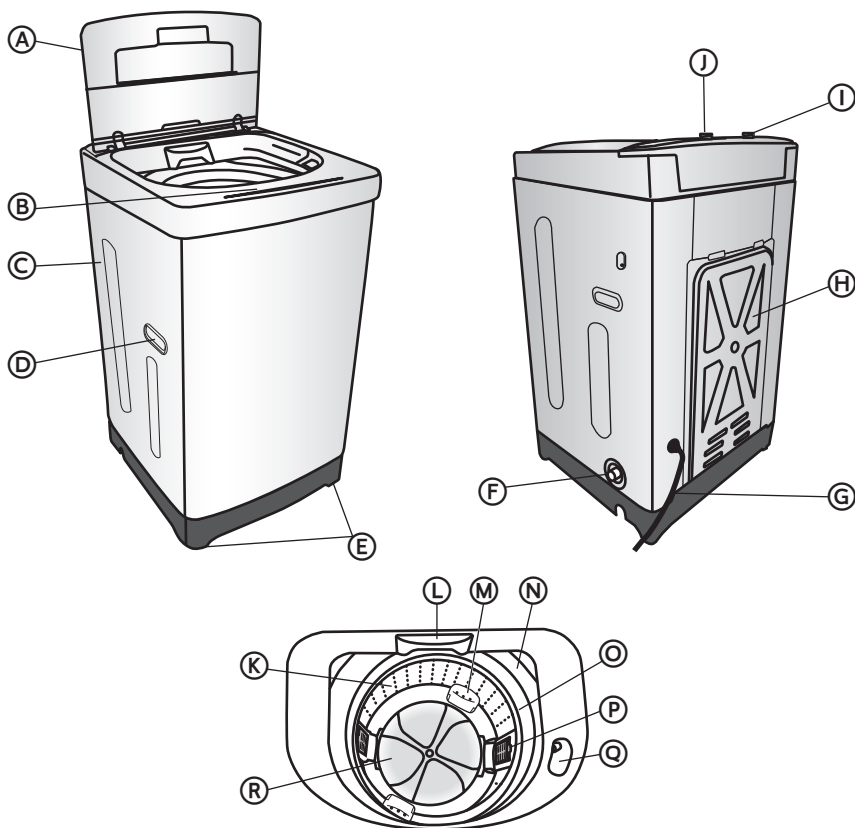
ADVERTENCIA

Peligro de asfixia

Antes de deshacerse de su viejo aparato, quítele la puerta o la tapa, para que los niños no puedan esconderse ni quedar atrapados dentro del mismo.

No seguir esta instrucción puede ocasionar la muerte o daño al cerebro.

PIEZAS Y CARACTERÍSTICAS



- | | |
|--|--|
| (A) Tapa superior | (J) Válvula de entrada de agua caliente |
| (B) Panel de control | (K) Canasta de lavado |
| (C) Gabinete | (L) Depósito de detergente en polvo |
| (D) Manija del armario (2) | (M) Surtidor de potencia (2) |
| (E) Patas niveladoras (2) | (N) Cubierta exterior de la tina |
| (F) Puerto de desagüe | (O) Aro de balance |
| (G) Cable eléctrico (120 voltios/60 Hz) | (P) Filtro de pelusa (2) |
| (H) Panel de acceso | (Q) Depósito de blanqueador líquido |
| (I) Válvula de entrada de agua fría | (R) Pulsador |

ALTA EFICIENCIA

- Esta lavadora utiliza un sistema de lavado por pulsador para lavar la ropa con cuidado utilizando menor cantidad de agua y energía que una lavadora tradicional con agitador.
- La menor cantidad de agua genera una solución concentrada de agua y detergente que actúa de manera intensa para aflojar la suciedad.
- Use solamente detergente de alto rendimiento. La etiqueta del detergente adecuado debe contener el logotipo "HE" o las palabras "High-Efficiency" (Alto rendimiento).

NOTA: Los detergentes comunes generan exceso de espuma que puede dañar los componentes de la lavadora, reducir el rendimiento del enjuague y generan una película de jabón que se acumula en el aparato y genera hongos y moho. Siga las instrucciones del fabricante del detergente para determinar la cantidad de detergente de alto rendimiento que debe usar.

REQUISITOS DE INSTALACIÓN

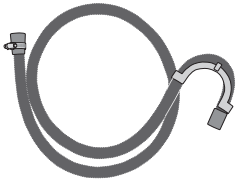
HERRAMIENTAS Y PIEZAS

Reúna las herramientas y piezas necesarias antes de comenzar la instalación.

HERRAMIENTAS NECESARIAS

- Pinzas
- Llave grande ajustable
- Destornillador de hoja plana
- Destornillador Phillips
- Cinta de medir
- Nivel de carpintero

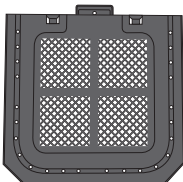
PIEZAS SUMINISTRADAS



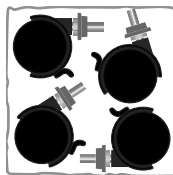
- Abrazadera de la manguera de desagüe
- Gancho de la manguera de desagüe
- Manguera de desagüe



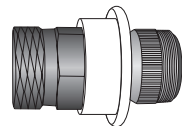
- Manguera de agua (2) (con arandelas planas instaladas previamente)
- Atadura para cables (2)



- Cubierta inferior (con tornillo)



- Juego de ruedecillas



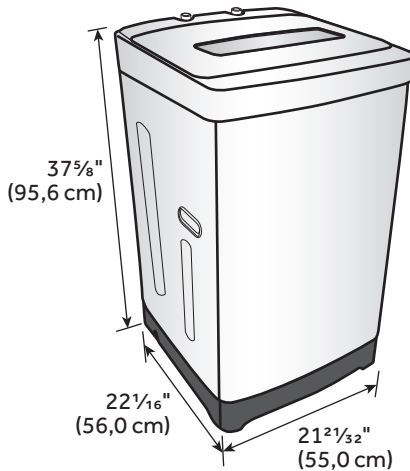
- Adaptador de grifo

REQUISITOS DE UBICACIÓN

IMPORTANTE: No instale ni ponga a funcionar esta lavadora donde pueda estar expuesta a temperaturas por debajo de los 32 °F (0 °C). El agua que quede en la lavadora se congelará y ocasionará daños a esta.

- La lavadora deberá ser instalada sobre un piso sólido, para reducir al mínimo la vibración durante el ciclo de exprimido. El piso de hormigón es el mejor.
- El piso deberá estar nivelado y con un declive máximo de 1" (25 mm) debajo de toda la lavadora.
- Un lugar apropiado, protegido de la luz directa del sol y de fuentes de calor, tales como radiadores, zócalos radiantes o aparatos de cocción.
- No la instale sobre una alfombra.
- El lugar deberá tener un contacto eléctrico conectado a tierra, ubicado a menos de 4 pies (1,2 m) del cable eléctrico, en la parte posterior de la lavadora.
- Los grifos de agua fría y caliente deberán estar a menos de 3 pies (0,9 m) de las conexiones de agua fría y caliente en la lavadora.
- Este aparato se debe utilizar a temperatura ambiente.

DIMENSIONES DEL PRODUCTO



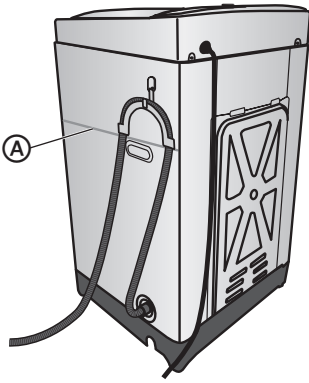
REQUISITOS DEL SUMINISTRO DE AGUA

- Un calentador de agua deberá proveer agua caliente a una temperatura de por lo menos 120°F (49 °C).
- La presión de agua deberá estar entre 20 y 100 lb/pulg² (138 y 690 kPa).

REQUISITOS DEL SISTEMA DE DESAGÜE

IMPORTANTE:

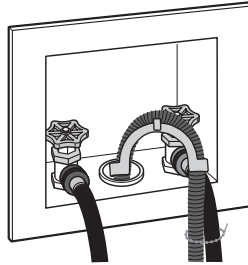
- No coloque la manguera de desagüe en el piso. Una parte de la manguera de desagüe debe mantenerse en una posición más elevada que la línea de agua en el interior de la canasta de lavado; de lo contrario, el llenado de agua se derramará de la manguera de desagüe y la lavadora no funcionará de forma correcta.
- A fin de que la lavadora funcione correctamente, no sumerja en agua el extremo de la manguera de desagüe.



(A) Línea de agua

PARED

- Sujete la manguera de desagüe a la manguera de entrada de agua como se muestra.

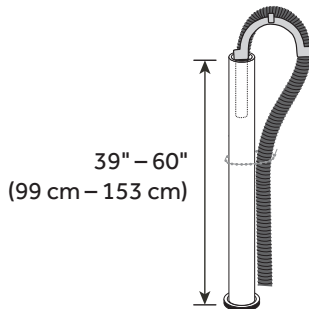


TUBO VERTICAL DE PISO

Para la manguera de desagüe, la altura del desagüe por tubo vertical debe ser entre 39" y 60" (99 cm y 153 cm) desde la base de la lavadora.

El desagüe por tubo vertical necesita un tubo vertical con un diámetro mínimo de 2" (50 mm). La capacidad mínima de desagüe no puede ser menor de 17 galones (64 L) por minuto.

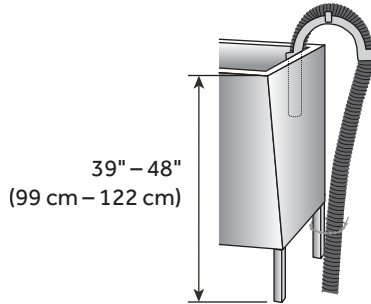
- Sujete con firmeza la manguera de desagüe al tubo vertical como se muestra.



TINA DE LAVADERO

La tina de lavadero necesita una capacidad mínima de 20 galones (76 L). Para la manguera de desagüe, la altura del borde del lavadero debe ser entre 39" y 48" (99 cm y 122 cm) desde la base de la lavadora.

- Sujete con firmeza la manguera de desagüe a la pata de la tina de lavadero como se muestra.



REQUISITOS ELÉCTRICOS

⚠ ADVERTENCIA



Peligro de Choque Eléctrico

La lavadora deberá ser enchufada en un contacto eléctrico debidamente puesto a tierra, de 120 voltios, 60 Hz, CA solamente, de 15 ó 20 amperios, con fusibles. Se recomienda un fusible retardador o un cortacircuitos.

No seguir estas instrucciones puede ocasionar la muerte, incendio o choque eléctrico.

- Si el suministro eléctrico provisto no satisface los requisitos mencionados anteriormente, póngase en contacto con un electricista competente autorizado.

⚠ ADVERTENCIA



Peligro de Choque Eléctrico

Conecte a un contacto de pared de conexión a tierra de 3 terminales.

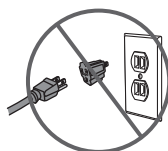
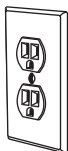
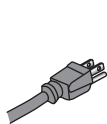
No quite el terminal de conexión a tierra del cable de alimentación.

No use un adaptador.

No use un cable eléctrico de extensión.

No seguir estas instrucciones puede ocasionar la muerte, incendio o choque eléctrico.

- Se necesita un suministro eléctrico de 120 voltios, 60 hertzios, CA solamente, de 15 o 20 amperios y protegido con fusibles. Se recomienda un fusible retardador o un cortacircuitos. Asimismo se recomienda usar un cortacircuitos independiente que preste servicio únicamente a este aparato.
- Esta lavadora viene equipada con un cable de suministro eléctrico dotado de un enchufe de 3 terminales con conexión a tierra.
- El cable debe estar enchufado en un tomacorriente apropiado de pared de 3 terminales, con conexión a tierra de acuerdo con los códigos y ordenanzas locales. Si no hay disponible un tomacorriente equivalente, póngase en contacto con un electricista para que instale una.



- Si los códigos lo permiten y se emplea un alambre de conexión a tierra separado, se recomienda que un electricista competente determine si la trayectoria de conexión a tierra es adecuada.
- No conecte a tierra a un tubo de gas.
- Si no está seguro de que la conexión a tierra de la lavadora sea la adecuada, verifíquela con un electricista competente.
- No coloque un fusible en el circuito neutro o de puesta a tierra.

INSTRUCCIONES DE PUESTA A TIERRA

Para la conexión de una lavadora mediante cable eléctrico conectado a tierra:

La lavadora debe estar conectada a tierra. En el caso de funcionamiento defectuoso o avería, la conexión a tierra reducirá el riesgo de choque eléctrico al proporcionar una vía de menor resistencia para la corriente eléctrica. La lavadora usa un cable que cuenta con un conductor para la conexión a tierra del equipo y un enchufe de conexión a tierra. El enchufe debe conectarse en un contacto apropiado, que esté debidamente instalado y conectado a tierra de acuerdo con todos los códigos y ordenanzas locales.

ADVERTENCIA: La conexión inadecuada del conductor a tierra para el equipo puede resultar en un riesgo de choque eléctrico.

Si no está seguro de que la conexión a tierra de la lavadora sea la adecuada, verifíquela con un electricista o técnico de servicio competente.

No modifique el enchufe provisto con la lavadora; si no encaja en el tomacorriente, consulte con un electricista competente para instalar un contacto adecuado.

Para la conexión permanente de una lavadora:

La lavadora debe estar conectada a un sistema de cableado de metal permanente, conectado a tierra, o se debe tender un conductor para la conexión a tierra del equipo con los conductores de circuito y conectado al terminal del equipo o al conductor de suministro de la lavadora.

INSTRUCCIONES DE INSTALACIÓN

Se recomienda que un técnico de aparatos competente instale su nueva lavadora. Si le parece que tiene la habilidad para instalar la lavadora, lea las instrucciones de instalación cuidadosamente antes de hacerlo.

IMPORTANTE:

- Si después de seguir estos pasos no está seguro de haber instalado la lavadora adecuadamente, póngase en contacto con un técnico de aparatos competente.
- Si recién le han entregado la lavadora y la temperatura del exterior estaba por debajo del punto de congelación, no ponga a funcionar la lavadora hasta que alcance la temperatura ambiente.

PASO 1 - DESEMPAQUE DE LA LAVADORA

! ADVERTENCIA



Peligro de asfixia

Para evitar el peligro de asfixia, mantenga la bolsa de plástico y otros materiales de envío lejos del alcance de los bebés y los niños. No use esta bolsa en cunas, cochecitos ni corrales. La bolsa de plástico podría bloquear la nariz y la boca, impidiendo la respiración. Esta bolsa no es un juguete.

No seguir esta instrucción puede ocasionar la muerte o daño al cerebro.

! ADVERTENCIA

Peligro de Peso Excesivo

Use dos o más personas para mover e instalar la lavadora.

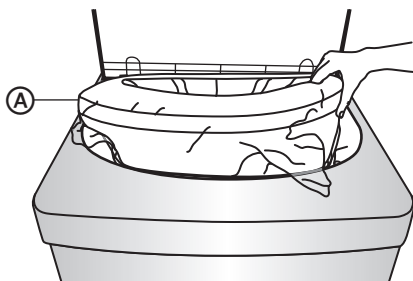
No seguir esta instrucción puede ocasionar una lesión en la espalda u otro tipo de lesiones.

1. Quite todos los materiales de embalaje. Esto incluye: la base de espuma, soporte de plástico moldeado y toda la cinta adhesiva que mantiene sujetos los accesorios del interior y el exterior de la lavadora.

IMPORTANTE: Si no quita la base del embalaje, la lavadora no funcionará correctamente y se anulará la garantía.

- Abra la tapa para acceder al soporte de la canasta de lavado. Jale hacia arriba del soporte de la canasta para quitarla.

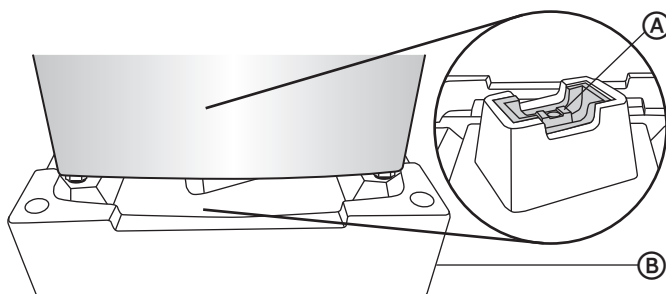
NOTA: Guarde el soporte de la canasta de lavado para usarlo cuando mueva la lavadora en el futuro.



A Soporte de la canasta de lavado

- Con la ayuda de dos o más personas, levante la lavadora para quitarla de la base del embalaje y del soporte de plástico moldeado.

NOTA: Es posible que el soporte de plástico, debajo del soporte en forma de U, permanezca sujeto a la base de la lavadora. Asegúrese de que se quite con la base de espuma.



(A) Soporte de plástico

(B) Base de espuma

2. Inspeccione la lavadora y quite los restos de materiales de embalaje, cinta o material impreso antes de usar la lavadora.
3. Deshágase apropiadamente de todos los materiales de embalaje o recíclelos.

PASO 2 - INSTALACIÓN DE LA CUBIERTA DE LA PARTE INFERIOR

⚠ ADVERTENCIA



Peligro de choque eléctrico

Instale la cubierta de la base.

Trabe las cuatro ruedecillas antes de poner en funcionamiento la lavadora.

No seguir esta instrucción puede ocasionar la muerte, choque eléctrico o lesiones físicas.

⚠ ADVERTENCIA



Peligro de Choque Eléctrico

Desconecte el suministro de energía antes de dar mantenimiento.

Vuelva a colocar todos los paneles antes de hacer funcionar.

No seguir estas instrucciones puede ocasionar la muerte o choque eléctrico.

1. Disponga las mantas o toallas dobladas en el piso para crear una pendiente.

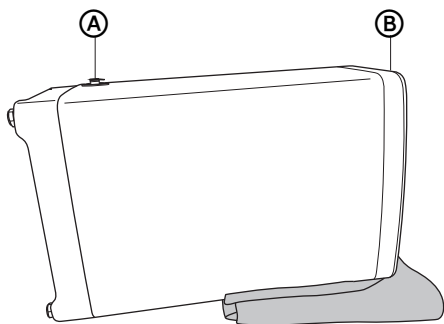
⚠ ADVERTENCIA

Peligro de Peso Excesivo

Use dos o más personas para mover e instalar la lavadora.

No seguir esta instrucción puede ocasionar una lesión en la espalda u otro tipo de lesiones.

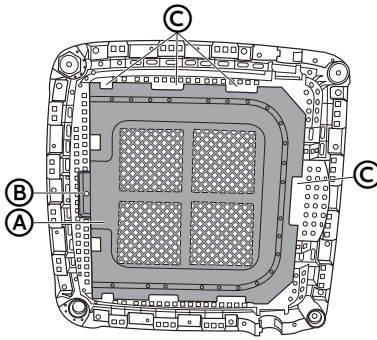
2. Con la ayuda de dos o más personas, coloque la lavadora sobre su lateral de modo que la parte superior de la lavadora esté más arriba que la base y la salida del desagüe quede mirando hacia arriba.



- (A) Salida del desagüe
- (B) Parte superior de la lavadora

3. Con el lado de la cubierta de la parte inferior marcado con la leyenda FRONT/UP (Frente/Arriba) hacia el interior y el frente de la lavadora, alinee los bordes de la cubierta con la guía en la parte inferior de la lavadora.
4. Desde el frente de la lavadora, deslice la cubierta de la parte inferior totalmente en la guía asegurándose de que los bordes de la cubierta estén detrás de las lengüetas.

NOTA: Cuando la cubierta está totalmente insertada dentro de la guía detrás de las lengüetas, el orificio para el tornillo estará nivelado y alineado con el orificio dentro de la parte inferior del armario.



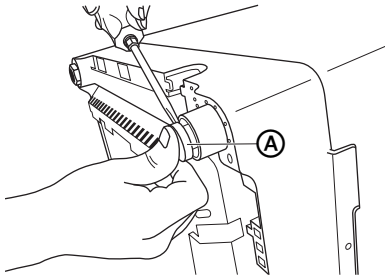
- (A) Cubierta de la parte inferior
- (B) Orificio del tornillo
- (C) Lengüetas

5. Con el tornillo (provisto), sujete la cubierta de la parte inferior a la base del armario.
6. Si instala ruedecillas, continúe con el PASO 3 - INSTALACIÓN DE LAS RUEDECILLAS (OPCIONAL). Si no instala ruedecillas, con la ayuda de dos o más personas, coloque la lavadora en posición vertical.

PASO 3 - INSTALACIÓN DE LAS RUEDECILLAS (Opcional)

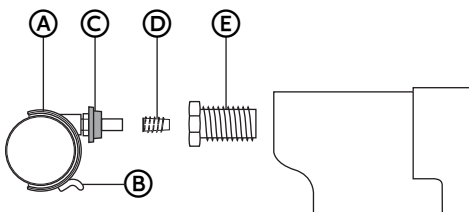
NOTA: Si más adelante decide instalar ruedecillas, primero debe colocar la lavadora de costado. Vea el "PASO 2 - INSTALACIÓN DE LA CUBIERTA INFERIOR" para obtener instrucciones sobre cómo colocar correctamente la lavadora de costado.

1. Con un destornillador de hoja plana, haga palanca para levantar las almohadillas de goma de la base de las cuatro patas de la lavadora.



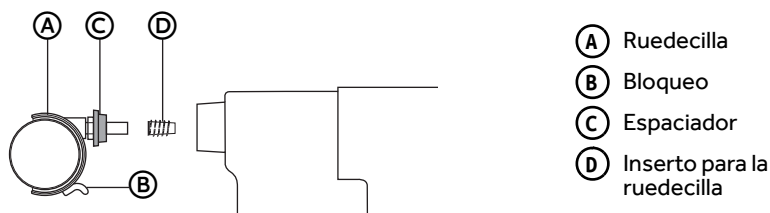
- (A) Almohadilla de goma

2. Instale las ruedecillas en las patas frontales regulables.
 - Desatornille las dos patas niveladoras frontales de la base de la lavadora.
 - Con una llave hexagonal en L (provista), enrosque un inserto para la ruedecilla en cada pata niveladora.
 - Atornille el ensamblaje de la ruedecilla/espaciador en los insertos y luego vuelva a instalar las dos patas niveladoras frontales.



- (A) Ruedecilla
- (B) Bloqueo
- (C) Espaciador
- (D) Inserto para la ruedecilla
- (E) Pata niveladora

3. Instale las ruedecillas en las patas traseras fijas.
 - Con una llave hexagonal en L, enrosque los insertos para las ruedecillas en las patas traseras de la lavadora.
 - Atornille el ensamblaje de ruedecilla y espaciador en los insertos.



4. Apriete las ruedecillas por completo, usando la llave de tuercas (provista).

⚠ ADVERTENCIA



Peligro de choque eléctrico

Instale la cubierta de la base.

Trabe las cuatro ruedecillas antes de poner en funcionamiento la lavadora.

No seguir esta instrucción puede ocasionar la muerte, choque eléctrico o lesiones físicas.

5. Bloquee cada ruedecilla presionando hacia abajo la palanca de la ruedecilla.

⚠ ADVERTENCIA

Peligro de Peso Excesivo

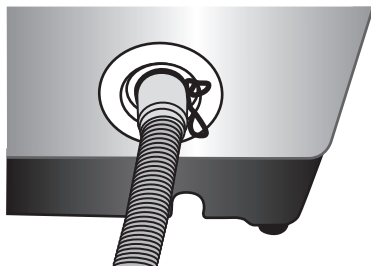
Use dos o más personas para mover e instalar la lavadora.

No seguir esta instrucción puede ocasionar una lesión en la espalda u otro tipo de lesiones.

6. Con la ayuda de dos o más personas, coloque la lavadora en posición vertical.

PASO 4 - CONECTE Y ASEGURE LA MANGUERA DE DESAGÜE

1. Agrande la abertura apretando a la vez los extremos de la abrazadera de la manguera de desagüe. Deslice la abrazadera sobre el extremo de la manguera de desagüe y sobre la sección flexible de la manguera.



2. Haga encajar el extremo de goma de la manguera de desagüe sobre el conducto de desagüe plástico en la lavadora.
3. Apriete los extremos de la abrazadera para agrandar las aberturas y deslice la abrazadera sobre la conexión de la manguera de desagüe y el puerto de desagüe. Suelte la abrazadera para ajustar.
4. Coloque la manguera de desagüe (extremo del gancho) en un tubo de desagüe de pared, tubo vertical o tina de lavadero.

NOTA: La manguera de desagüe se sacudirá a medida que se bombea agua fuera de la lavadora.

5. Asegure la manguera de desagüe en su lugar sujetándola a una manguera de agua, al tubo vertical o a la pata de la tina de lavadero. Consulte "Requisitos para el sistema de desagüe" para ver las imágenes.
6. Verifique todas las conexiones de la manguera para asegurarse de que estén bien ajustadas.

PASO 5 - CONECTE LAS MANGUERAS DE AGUA

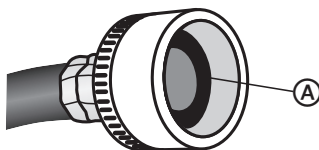
Según el modelo, las mangueras de agua provistas serán de **Estilo 1** o **Estilo 2**. Siga las instrucciones específicas para el estilo de mangueras de agua provistas.

IMPORTANTE: Utilice solamente mangueras nuevas cuando instale la lavadora. Las mangueras de agua deben tener conectores de rosca gruesa en un extremo (para conectar al suministro de agua del hogar) y conectores de rosca fina en el otro extremo (para conectar a la máquina de lavar).

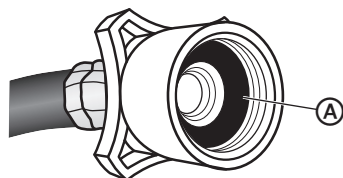
NOTA:

- Inspeccione periódicamente las mangueras para ver si tienen rajaduras, cortes, fugas o desgaste. Reemplácelas con mangueras nuevas cada 5 años.
 - El agua caliente deberá fijarse a una temperatura de por lo menos 120 °F a 140 °F (49 °C a 60 °C) para que el jabón se disuelva y para evitar que queden restos del mismo en las prendas.
1. Cerciórese de que cada extremo de las mangueras de entrada de agua tenga una arandela plana colocada firmemente en su lugar. Las arandelas planas han sido instaladas previamente de fábrica.

Estilo 1



Estilo 2



(A) Arandela

- Enrosque a mano el extremo blanco de la manguera de entrada en la válvula de entrada fría en la parte posterior de la lavadora, hasta que quede firmemente a mano se tensó.

IMPORTANTE:

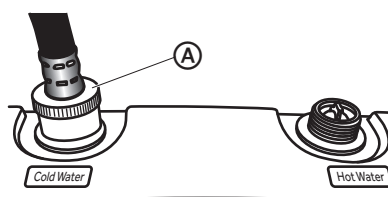
- No conecte el extremo gris de la manguera de entrada a la lavadora. Dañará las roscas y filtrarán.
- Para evitar daños en el acoplamiento de la manguera, no lo apriete en exceso.

Estilo 1 - Con un par de alicates, apriete dos tercios más de vuelta (MÁXIMO). No aplique demasiada fuerza.

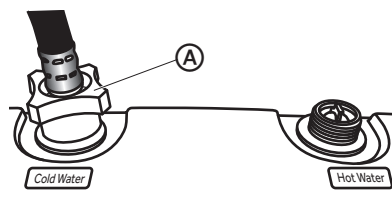
Estilo 2 - No use pinzas para apretar la conexión.

NOTA: Para evitar daños en las válvulas de entrada de la lavadora, no use cinta de plomero ni sellador en las roscas de las válvulas.

Estilo 1



Estilo 2



A Solo el extremo blanco

- Determine el tipo de instalación.
 - Si desea instalar la lavadora en un lugar fijo, siga las instrucciones de la sección "OPCIÓN 1 - FIJA".
 - Si desea instalar la lavadora en un lugar temporal, vaya a las instrucciones de la sección "OPCIÓN 2 - PORTÁTIL".

OPTION 1 - FIJA

- Primero enrosque el extremo blanco de la segunda manguera de entrada en la válvula de entrada de agua CALIENTE en la parte posterior de la lavadora, hasta que quede firme ajustado a mano. A continuación, enrosque a mano los extremos de color gris de las mangueras de entrada en los grifos de agua CALIENTE y FRÍA hasta que queden firmes ajustados a mano.

Estilo 1 - Con un par de alicates, apriete los tres conexiones dos tercios más de vuelta (MÁXIMO). No aplique demasiada fuerza.

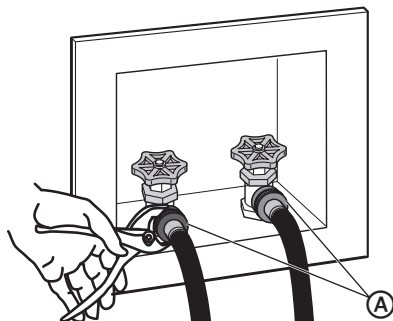
Estilo 2 - No use pinzas para apretar las conexiones.

IMPORTANTE:

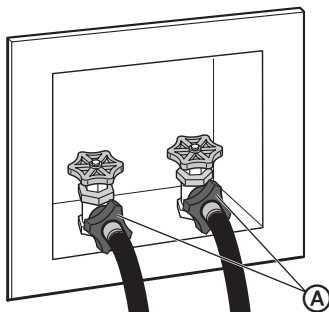
- Asegúrese de que una manguera conecte un grifo de agua caliente a la válvula de entrada de agua caliente y la otra manguera conecte el grifo de agua fría a la válvula de entrada de agua fría.
- Para evitar daños en los acoplamientos de las mangueras, no los apriete en exceso.

NOTA: Para evitar daños en el grifo, no use cinta de plomero ni selladores en las roscas de la válvula.

Estilo 1



Estilo 2



(A) Solo el extremo gris

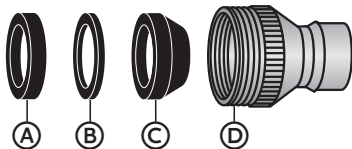
2. Abra los grifos de agua caliente y fría y revise si hay filtraciones. Si hay filtraciones, revise nuevamente las conexiones flojas y apriételas.

OPTION 2 - PORTÁTIL

1. Quite el aerador de la boquilla del grifo.
2. Revise el grifo para determinar si tiene roscas internas o externas en el grifo.

Roscas internas - Mantenga la arandela (A) de goma en su lugar.

Roscas externas - Quite la arandela (A) de goma antes de enroscar el conector del grifo al grifo.



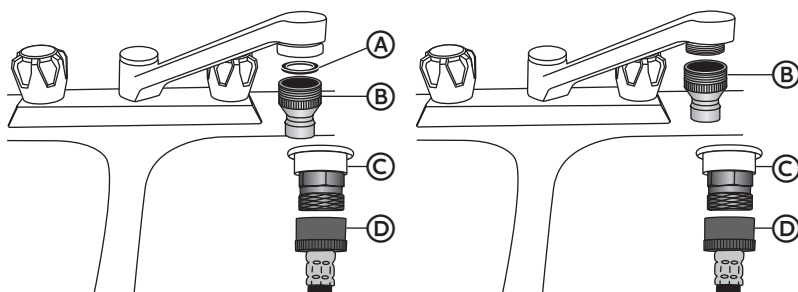
- (A) Arandela extraíble
- (B) Arandela secundaria (No quitar)
- (C) Soporte de arandela (No quitar)
- (D) Conector plateado del grifo

NOTA: El conector del grifo (proporcionado) es roscado a fin de encajar en la MAYORÍA de los grifos. Si el conector del grifo proporcionado no encaja en su grifo, deberá comprar un conector de grifo del tamaño correcto.

3. Enrosque el conector plateado del grifo en el grifo.

Roscas internas

Roscas externas



- (A) Arandela de goma
- (B) Conector plateado del grifo
- (C) Adaptador de grifo de lavadero de conexión rápida
- (D) Manguera de entrada de agua

4. Fije con la mano el adaptador del grifo de fregadero de conexión rápida al extremo de color gris de la manguera de entrada hasta que quede firme ajustado a mano asegurándose de que la arandela plana instalada previamente se encuentre entre la manguera y el adaptador. A continuación, siga las instrucciones de ajuste adicionales para el **Estilo 1** o el **Estilo 2**.

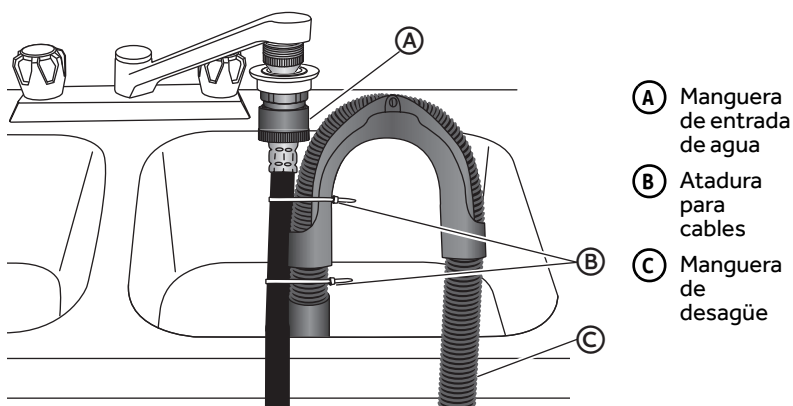
Estilo 1 - Con un par de alicates, apriete dos tercios más de vuelta (**MÁXIMO**). No aplique demasiada fuerza.

Estilo 2 - No use pinzas para apretar la conexión.

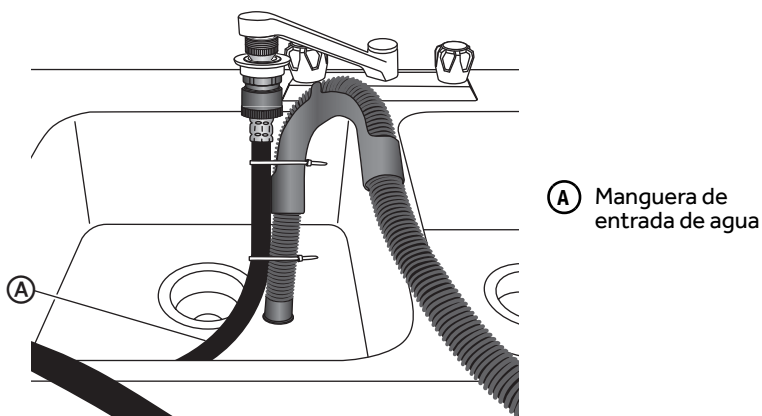
IMPORTANTE: Para evitar daños en el acoplamiento de la manguera, no lo apriete en exceso.

NOTA: Para evitar daños en lo grifo, no use cinta de plomero ni ningún tipo de sellador en las roscas de la válvula.

5. Fije el adaptador de grifo de fregadero de conexión rápida al conector gris de grifo jalando hacia abajo del collarín blanco mientras empuja hacia arriba el grifo. Suelte el collarín blanco y se trabará en su lugar.
6. Abra el grifo del agua y revise si hay filtraciones. Si hay filtraciones, revise nuevamente las conexiones flojas y apriételas.
 - Verifique si hay conexiones flojas y apriételas.
 - Asegúrese de que el extremo gris de la manguera esté conectado en la conexión rápida y que el extremo blanco esté conectado a la máquina de lavar.
7. Con dos ataduras de cables, sujete la manguera de entrada de agua a la manguera de desagüe para mantener las mangueras en su lugar.



IMPORTANTE: Coloque la longitud extra (holgada) de la manguera dentro del lavadero para evitar tensión y posible daño al grifo de agua.



NOTA: El grifo de agua debe mantenerse abierto durante todo el ciclo de lavado para lograr un lavado y enjuague apropiados de la carga de ropa.

PASO 6 - NIVELE LA LAVADORA

IMPORTANTE: La nivelación apropiada de su lavadora ayudará a reducir el ruido y la vibración.

⚠ ADVERTENCIA

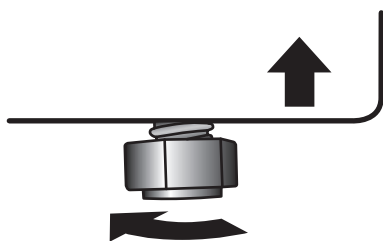
Peligro de Peso Excesivo

Use dos o más personas para mover e instalar la lavadora.

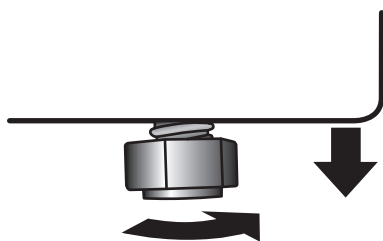
No seguir esta instrucción puede ocasionar una lesión en la espalda u otro tipo de lesiones.

1. Coloque la lavadora en su ubicación final. Cerciérese de que las líneas de agua y de desagüe no estén tirantes ni pinchadas. Cerciérese de que las cuatro patas estén en contacto firme con el piso y que la lavadora descansa firmemente en su posición.
2. Con un nivel de carpintero, cerciérese de que la lavadora esté nivelada de lado a lado y de frente hacia atrás.
3. Si la lavadora no está nivelada, regule las patas niveladoras. Gírelas hacia la derecha para extender (levantar la lavadora) o hacia la izquierda para retraer (bajar la lavadora).

Levantar



Bajar



PASO 7 - COMPLETE LA INSTALACIÓN

⚠ ADVERTENCIA



Peligro de Choque Eléctrico

Conecte a un contacto de pared de conexión a tierra de 3 terminales.

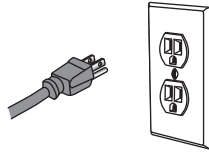
No quite el terminal de conexión a tierra del cable de alimentación.

No use un adaptador.

No use un cable eléctrico de extensión.

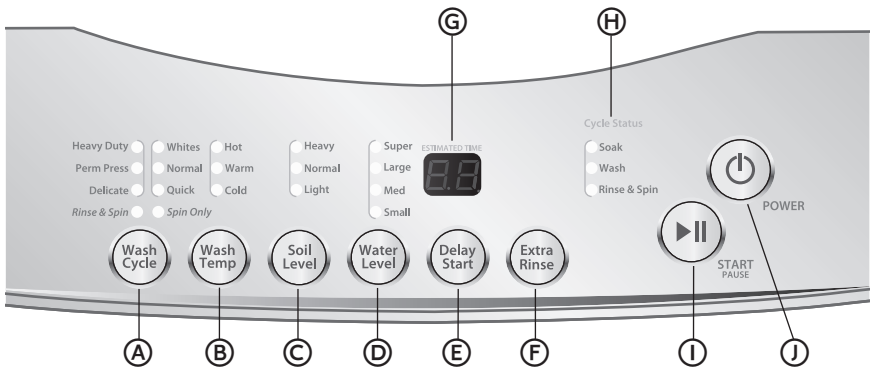
No seguir estas instrucciones puede ocasionar la muerte, incendio o choque eléctrico.

1. Enchufe la lavadora en un contacto de pared de conexión a tierra de 3 terminales.
2. Verifique que los grifos de agua estén abiertos.
3. Deshágase de todos los materiales de embalaje o recíclelos.
4. Ponga a funcionar un ciclo de lavado normal con detergente, para probar y limpiar la lavadora. Consulte la sección "Instrucciones para el funcionamiento".



PANEL DE CONTROL Y CARACTERÍSTICAS

PANEL DE CONTROL



A BOTÓN WASH CYCLE (CICLO DE LAVADO)

Presione el botón Wash Cycle (Ciclo de lavado) para seleccionar el ciclo deseado para su carga de lavado.

Los ajustes prefijados estándares de cada ciclo aparecerán en pantalla; los ajustes prefijados pueden cambiarse con los botones de ajuste: Wash Temp (Temperatura de lavado), Soil Level (Nivel de suciedad) y Water Level (Nivel de agua).

Hay 6 ciclos de lavado y 2 ciclos especializados entre los que puede elegir:

CICLOS DE LAVADO

Heavy Duty (Intenso)- use este ciclo para prendas perdurables que no destiñen y con suciedad profunda.

Whites (Ropa blanca)- use este ciclo para una limpieza profunda de las prendas blancas.

Perm Press (Planchado permanente)- use este ciclo para que las prendas de telas de mezcla de algodón y poliéster y pantalones y camisas de vestir permanezcan sin arrugas.

Normal - use este ciclo para las prendas de algodón y cargas de telas mixtas con suciedad normal.

Delicate (Ropa delicada) - Use este ciclo para lavar suavemente prendas delicadas y lencería de telas finas con encaje.

Quick (Rápido) - Use este ciclo para lavar cargas pequeñas de ropa con suciedad ligera.

CICLOS ESPECIALIZADOS

Rinse & Spin (Enjuague y centrifugado) - Use este ciclo para alisar las arrugas, quitar el exceso de jabón y revitalizar las prendas limpias.

Spin Only (Solo centrifugado) - use este ciclo para extraer el agua de prendas lavadas en el lavabo o de prendas limpias que están mojadas.

(B) BOTÓN WASH TEMP (TEMPERATURA DE LAVADO)

Presione el botón Wash Temp (Temperatura de lavado) para seleccionar una temperatura de lavado; todos los enjuagues utilizan agua fría. Para obtener mejores resultados, siga las instrucciones de la etiqueta de las prendas y use la temperatura de agua más caliente que la tela pueda resistir.

NOTA: No todas las temperaturas de agua están disponibles para todos los ciclos de lavado.

(C) BOTÓN SOIL LEVEL (NIVEL DE SUCIEDAD)

Presione el botón Soil Level (Nivel de suciedad) para seleccionar el nivel de suciedad más apropiado para la carga. Según el nivel de suciedad, el tiempo de lavado aumentará o disminuirá en incrementos de 4 a 8 minutos en la pantalla Estimated Time Remaining (Tiempo estimado restante).

Hay 3 niveles de suciedad para elegir. - Heavy (Profunda), Normal (Normal), Light (Ligera)

(D) BOTÓN WATER LEVEL (NIVEL DE AGUA)

Presione el botón Water Level (Nivel de agua) para seleccionar un nivel de agua adecuado para la carga. El ajuste Small (Pequeño) es el nivel más bajo de agua; el ajuste Super (Súper) es el más alto.

(E) BOTÓN DELAY START (INICIO DIFERIDO)

- Presione el botón Delay Start (Inicio diferido) para retrasar el inicio del ciclo de lavado entre 1 a 24 horas en incrementos de una hora.
- La cantidad de horas se mostrará en la pantalla Estimated Time Remaining (Tiempo estimado restante). Cada vez que presione el botón Delay Start (Inicio diferido), el tiempo se incrementará en 1 hora.
- Si presiona el botón después de 24, cancelará la función de inicio diferido. También puede cancelar la función de Delay Start (Inicio diferido) si desconecta la energía de la lavadora con el botón Power (Encendido).
- Se debe seleccionar el botón Start/Pause (Inicio/Pausa) para comenzar la cuenta regresiva.

(F) BOTÓN EXTRA RINSE (ENJUAGUE ADICIONAL)

Presione para agregar un enjuague adicional a su ciclo de lavado.

NOTA: Algunos ciclos tienen esta opción por defecto. Consulte la Guía de ciclos para obtener detalles.

(G) PANTALLA DE TIEMPO ESTIMADO RESTANTE

- La pantalla Estimated Time Remaining (Tiempo estimado restante) muestra el tiempo estimado del ciclo en minutos.
- Al utilizar la función Delay Start (Inicio diferido), esta pantalla mostrará las horas/minutos restantes a medida que hace la cuenta regresiva hasta la hora fijada para que comience el ciclo de lavado.

(H) INDICADORES DEL ESTADO DEL CICLO

- Las luces del estado del ciclo indica las etapas del ciclo seleccionado.

(I) BOTÓN START/PAUSE (INICIO/PAUSA)

Presione el botón Start/Pause (Inicio/Pausa) para poner en marcha un ciclo seleccionado o hacer una pausa en un ciclo que esté en marcha.

NOTA: Luego de iniciar el ciclo de lavado, deberá hacer una pausa en el ciclo que esté en marcha para cambiar los ajustes de Wash Temp (Temperatura de lavado), Soil Level (Nivel de suciedad) y Water Level (Nivel de agua).

J BOTÓN POWER (ENCENDIDO)

Presione POWER (Encendido/Apagado) para encender y apagar la lavadora.

IMPORTANTE:

- Si apaga la unidad presionando el botón Power (Encendido/Apagado), esto NO desconecta la lavadora del suministro eléctrico.
- Si la lavadora está encendida, pero el botón Start/Pause (Inicio/Pausa) no se presiona dentro de los 5 minutos, la lavadora se apagará automáticamente.

GUÍA DE CICLOS

IMPORTANTE:

- No lave, exprima ni seque ropa, tapetes ni asientos a prueba de agua.
- Verifique las instrucciones de lavado de la etiqueta de las prendas para seleccionar los ajustes adecuados de lavado. De lo contrario, podría dañar y desteñir las prendas. Algunas prendas solo se deben lavar en seco.

NOTA: Para proteger su carga de lavado, no todas las opciones y ajustes estarán disponibles para todos los ciclos. Las cajas sombreadas indican los ajustes por defecto para cada ciclo.

CICLO	TIPO DE TELA	PROCESO DE LAVADO	TIEMPO EST. (min.)	TEMP. DE LAVADO	SOIL LEVEL (NIVEL DE SUCIEDAD)	WATER LEVEL (NIVEL DE AGUA)	EXTRA RINSE (Enjuague adicional) ²
Heavy Duty (Intenso)	Telas durables que no desteñen, con suciedad profunda	Remojo de 12 minutos Lavado de 25 minutos Enjuague Exprimido	68	Tibia	Normal	Medio	•
				Caliente Fria	Intenso Ligero	Super (Super) Large (Grande) Small (Pequeño)	
Whites (Ropa blanca)	Prendas blancas	Remojo de 12 minutos Lavado de 25 minutos Enjuague Exprimido	75	Caliente	Normal	Medio	•
				Tibia Fria	Intenso Ligero	Super (Super) Large (Grande) Small (Pequeño)	
Perm Press (Planchado permanente)	Telas anti-arrugas y sintéticas	Lavado de 16 minutos Enjuague Exprimido	35	Tibia	Normal	Medio	•
				Fria	Intenso Ligero	Super (Super) Large (Grande) Small (Pequeño)	

CICLO	TIPO DE TELA	PROCESO DE LAVADO	TIEMPO EST. (min.)	TEMP. DE LAVADO	SOIL LEVEL (NIVEL DE SUCIEDAD)	WATER LEVEL (NIVEL DE AGUA)	EXTRA RINSE (Enjuague adicional) ^a
Normal	Telas de algodón, lino y prendas mezcladas	Remojo de 16 minutos Enjuague por rociado Exprimido	40	Tibia	Normal	Medio	•
				Caliente Fria	Intenso Ligero	Super (Super) Large (Grande) Small (Pequeño)	
Delicate (Ropa delicada)	Prendas de lencería, telas finas con encaje	Lavado de 10 minutos Enjuague Exprimido	29	Tibia	Normal	Medio	•
				Fria	Intenso Ligero	Super (Super) Large (Grande) Small (Pequeño)	
Quick (Rápido)	Telas de algodón, lino y prendas mezcladas	Lavado de 9 minutos Enjuague Exprimido	23	Tibia	Normal	Medio	•
				Caliente Fria	Intenso Ligero	Super (Super) Large (Grande) Small (Pequeño)	
Rinse & Spin (Enjuague y exprimido)	Prendas limpias	Enjuague Exprimido	17	Sólo fría	Sólo es normal	Medio	•
						Super (Super) Large (Grande) Small (Pequeño)	
Spin Only (Sólo exprimido)	Prendas limpias mojadas	Exprimido	06	N/A	Sólo es normal	N/A	

^a La función Extra Rinse (Enjuague adicional) agregará entre 7 y 10 minutos, según el ciclo seleccionado.

USO DE LA LAVADORA

IMPORTANTE: A fin de reducir el riesgo de incendio, de choque eléctrico o de daños personales, lea las **INSTRUCCIONES IMPORTANTES DE SEGURIDAD** antes de operar este aparato.

PASO 1 - PREPARE Y SEPRE LAS PRENDAS

⚠ ADVERTENCIA



Peligro de Incendio

Nunca coloque en la lavadora artículos que estén humedecidos con gasolina o cualquier otro líquido inflamable.

Ninguna lavadora puede eliminar completamente el aceite.

No seque ningún artículo que haya tenido alguna vez cualquier tipo de aceite (incluyendo aceites de cocina).

No seguir estas instrucciones puede ocasionar la muerte, explosión o incendio.

IMPORTANTE: No lave, exprima ni seque ropa, tapetes ni asientos a prueba de agua.

PREPARE LAS PRENDAS

- Revise las etiquetas de las prendas para ver las instrucciones de lavado.
- Vacíe los bolsillos y vuélvalos al revés.
- Dé vuelta los puños y quite la pelusa o la suciedad.
- Ate los cordones y fajas de modo que no se enreden.
- Cierre los zípers, broches de presión y corchetes para evitar que se enganchen.
- Quite los artículos sueltos (alfileres, horquillas, monedas, anillos, aretes, servilletas, etc.) de las prendas para evitar que rayen la canasta de lavado u obstruyan la bomba de desagüe.
- Trate previamente todas las manchas y las áreas con suciedad profunda.
- Vuelva al revés las prendas sintéticas y los tejidos de lana para evitar que se llenen de motitas.

SEPRE LAS PRENDAS

- Separe la ropa según el ciclo de lavado necesario (temperatura del agua y acción de lavado).
- Separe los colores claros de los colores oscuros, los artículos que no destiñen de los que sí destiñen.
- Separe las telas pesadas de las telas ligeras.
- Separe las telas que atraen pelusa de las telas que sueltan pelusa.
- Separe artículos voluminosos como frazadas o almohadas.

PASO 2 - AGREGUE LOS PRODUCTOS PARA EL CUIDADO DE LAS TELAS

AGREGUE DETERGENTE

- Use solamente un detergente de alto rendimiento. Los detergentes HE (Alto rendimiento) han sido especialmente formulados con ingredientes que evitan los problemas ocasionados por el exceso de espuma del jabón. El exceso de espuma impedirá el enjuague completo de los restos de detergente de las prendas.



- Determine la cantidad de detergente. Siga las instrucciones de uso del detergente que aparecen en el recipiente.

NOTA: La cantidad adecuada de detergente depende del tamaño de la carga, el nivel de suciedad de las prendas y el grado de agua blanda que se suministre a la lavadora.

- Si selecciona el ciclo Quick (Rápido), se recomienda que use detergente de lavandería líquido para alcanzar resultados óptimos. El detergente en polvo puede que no se disuelva lo suficientemente rápido para limpiar bien en este ciclo.

DETERGENTE LÍQUIDO

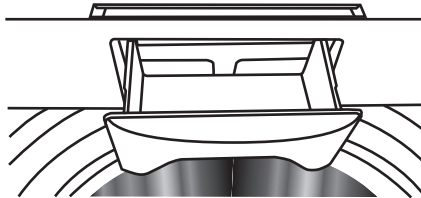
1. Llene la lavadora con una pequeña cantidad de agua y vierta el detergente líquido directamente en la canasta de lavado. El blanqueador líquido no decolorante se puede añadir con el detergente líquido.

NOTA:

- Para mejores resultados, agregue detergente a la canasta de lavado antes de cargar la ropa.
 - No vierta el detergente líquido en el depósito de detergente en polvo, puede gotear sobre la ropa y arruinarla.
2. Ponga a funcionar durante 30 segundos para disolver completamente el detergente.

DETERGENTE EN POLVO

- Vierta la cantidad medida de detergente en polvo en el depósito de detergente.

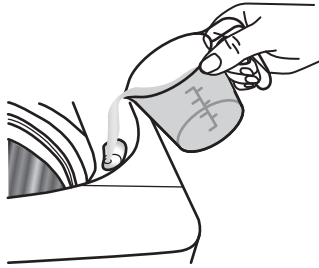


AGREGUE BLANQUEADOR (SI LO DESEA)

IMPORTANTE: Tenga cuidado de no derramar el blanqueador sobre la carcasa de la lavadora ni sobre la ropa. El blanqueador con cloro es un producto químico poderoso que puede dañar la ropa o el acabado de la lavadora.

NOTA:

- Use solamente blanqueador líquido en este depósito.
 - Agregue el blanqueador en el depósito del blanqueador al mismo tiempo que agrega el detergente.
1. Siga las instrucciones del fabricante en la etiqueta de las prendas sobre el uso recomendado de blanqueador.
 2. Vierta una medida de blanqueador líquido con cloro en el depósito de blanqueador líquido con cloro.



3. El blanqueador líquido en el depósito se distribuye inmediatamente.

PASO 3 - CARGUE LA LAVADORA

1. Abra la tapa de la lavadora y cargue las prendas de manera uniforme y holgada en la canasta de la lavadora para obtener una carga equilibrada.
2. Cierre la tapa de la lavadora.

NOTA:

- No cargue en exceso ni apriete los artículos para que quepan en la canasta de lavado.
- La lavadora no agitará ni exprimirá con la tapa abierta.

PASO 4 - PONGA LA LAVADORA EN MARCHA

Siga las instrucciones de funcionamiento que sean específicas para su tipo de instalación.

INSTALACIÓN FIJA

1. Presione el botón Power (Encendido/Apagado) para encender la lavadora.
2. Seleccione un ciclo de lavado.
3. Modifique los ajustes y las opciones por defecto, si lo desea.
4. Presione el botón Start/Pause (Inicio/Pausa) para comenzar el ciclo de lavado.

INSTALACIÓN PORTÁTIL

1. Presione el botón Power (Encendido/Apagado) para encender la lavadora.
2. Seleccione un ciclo de lavado.
3. Modifique los ajustes y las opciones por defecto, si lo desea.

NOTA:

- La temperatura del agua suministrada a la lavadora está determinada por la temperatura del agua que sale del grifo NO por el control Wash Temp (Temperatura de lavado). Los ajustes de temperatura pueden modificarse, pero no afectarán la temperatura del agua.
- Abra la válvula del grifo de agua por completo y déjela completamente abierta hasta que el ciclo de lavado haya terminado.

IMPORTANTE: La lavadora no se llenará hasta el nivel correcto de agua, salvo que la manguera de entrada esté conectada a la válvula de entrada de agua FRÍA en la lavadora.

4. Presione el botón Start/Pause (Inicio/Pausa) para comenzar el ciclo de lavado.

CUIDADO DE LA LAVADORA

IMPORTANTE: Evite guardar objetos pesados como tarros o latas encima de la tapa de la lavadora. Dejar caer un objeto pesado o duro sobre la tapa de la lavadora podría ocasionar que se rompa.

⚠ ADVERTENCIA



Peligro de choque eléctrico

Desconecte el suministro de energía antes de limpiarlo.

No seguir esta instrucción puede ocasionar la muerte o choque eléctrico.

LIMPIEZA Y MANTENIMIENTO

IMPORTANTE: Antes de usar productos de limpieza, siempre lea y siga las instrucciones del fabricante y las advertencias para evitar lesiones físicas o daños al producto.

1. Desenchufe o desconecte el suministro de energía.
 - Utilice solamente un paño húmedo o jabonoso para limpiar el panel de control.
 - Si derrama suavizante, blanqueador o detergente líquido o en polvo sobre el gabinete, límpielo inmediatamente con un paño húmedo para evitar daños en el acabado.
 - No use productos de limpieza abrasivos, productos químicos irritantes, amoníaco, blanqueador con cloro, detergente concentrado o solventes para limpiar la lavadora. Estos productos químicos pueden disolver, dañar o decolorar la lavadora.
 - Luego de lavar la ropa, deje la puerta abierta para que se evapore la humedad del interior de la máquina y así evitar que se formen hongos o moho.
2. Enchufe o vuelva a conectar el suministro de energía.

LIMPIEZA DEL DEPÓSITO DE DETERGENTE EN POLVO

1. Jale la gaveta de depósito hacia afuera hasta que se detenga y levántela ligeramente para quitarla.
2. Enjuague el depósito con agua tibia y séquelo completamente con un paño suave.

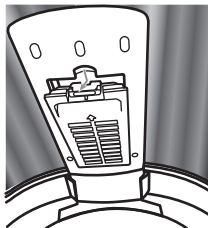
3. Inserte la gaveta en un ángulo ligeramente inclinado hacia abajo y empujelo hacia atrás para colocarlo en su lugar.

LIMPIEZA DEL DEPÓSITO DEL BLANQUEADOR

- Para quitar los restos, límpielos con un paño húmedo y seque con una toalla.
- No intente sacar los compartimientos ni las molduras para la limpieza.

LIMPIAR EL FILTRO DE PELUSAS

1. Empuje hacia abajo la lengüeta de la parte superior del filtro para liberarlo de la canasta de lavado.



2. Gire el filtro hacia arriba para que el lado posterior del mismo quede mirando hacia arriba.
3. Mientras sostiene firmemente el filtro con una mano, levante de la parte inferior del filtro para separar el frente del filtro de la parte de atrás para que pueda acceder a la malla del filtro.
4. Limpie la malla del filtro y vuelva a colocar la parte de atrás del filtro.
5. Limpie los residuos de pelusa de los lados de la cubierta del filtro con un paño suave.
6. Deslice el filtro dentro de la canasta de lavado y presiónelo con firmeza para colocarlo en su lugar.

IMPORTANTE: Ambos filtros de pelusa deben estar en su lugar durante los ciclos de lavado. Limpie los filtros de pelusa después de cada carga de lavado.

LIMPIEZA DE LA TINA DE LA LAVADORA

Se debe limpiar el interior de la lavadora una vez al mes para reducir la acumulación de una película de jabón y contribuir a mantener el sistema de lavado libre de olores. Siga los siguientes pasos.

1. Asegúrese de que la lavadora esté vacía.
2. Vierta 1 taza (250 ml) de blanqueador líquido con cloro en el depósito del blanqueador.

IMPORTANTE: No agregue detergente a la canasta de lavado y no utilice más de 1 taza de blanqueador para evitar dañar la lavadora.

3. Cierre la tapa de la lavadora.
4. Presione el botón Power (Encendido/Apagado) para encender la lavadora.
5. Gire la perilla de Selección de ciclo hacia Whites (Ropa blanca).

IMPORTANTE: No limpie la tina de lavado cuando hay ropa en la lavadora. Esto podría dañar la ropa o causar problemas a la lavadora.

6. Si está conectado a un grifo de fregadero, abra el agua caliente.
7. Presione el botón Start/Pause (Inicio/Pausa) para comenzar el ciclo.

NOTA: Para obtener mejores resultados de limpieza, permita que finalice el ciclo de lavado. Si necesita interrumpir el ciclo, presione el botón Power (Encendido) para apagar la lavadora y, a continuación, ejecute un ciclo Rinse & Spin (Enjuague y exprimido) para asegurarse de quitar el blanqueador por completo. Se debe enjuagar muy bien el blanqueador de la lavadora antes de lavar ropa.

VACACIONES

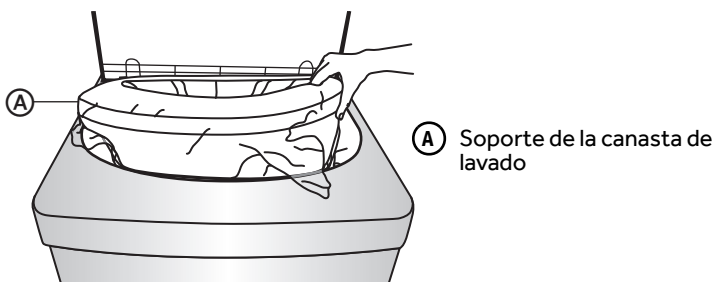
1. Desenchufe o desconecte el suministro de energía.
2. Cierre los grifos de suministro de agua fría y caliente. Esto eliminará la posibilidad de daños a su hogar en caso de rupturas o fugas en la manguera.
3. Seque la canasta de lavado.
4. Deje la puerta abierta para que se evapore la humedad del interior de la máquina y así evitar que se forme moho.

PREPARACIÓN PARA LA MUDANZA O EL ALMACENAJE

IMPORTANTE: No guarde la lavadora en un ambiente frío en donde las temperaturas estarán por debajo del punto de congelación. El agua que quede en la lavadora se congelará y ocasionará daños a esta. Guárdela a temperatura ambiente.

Además de seguir los pasos relacionados con Vacaciones, complete los pasos indicados a continuación:

1. Desenchufe o desconecte el suministro de energía.
2. Desconecte las mangueras de agua y la manguera de desagüe; colóquelas en la canasta de lavado.
3. Gire las patas niveladoras para que queden replegadas completamente dentro del gabinete de la lavadora.
4. Si va a mover la lavadora, coloque el soporte de la canasta de lavado de los materiales originales de empaque nuevamente en el interior de la parte superior de la abertura de la lavadora. Asegure la tapa de la lavadora con cinta adhesiva protectora.



5. Mueva la lavadora y guárdela solamente en posición vertical.

CÓMO VOLVER A INSTALAR O USAR LA LAVADORA NUEVAMENTE

⚠ ADVERTENCIA



Peligro de Choque Eléctrico

Conecte a un contacto de pared de conexión a tierra de 3 terminales.

No quite el terminal de conexión a tierra del cable de alimentación.

No use un adaptador.

No use un cable eléctrico de extensión.

No seguir estas instrucciones puede ocasionar la muerte, incendio o choque eléctrico.

Para volver a instalar la lavadora después de la falta de uso, vacaciones, almacenamiento durante el invierno o mudanza:

1. Consulte las Instrucciones de instalación para desempacar, ubicar, nivelar y conectar la lavadora.
2. Antes de usar la lavadora nuevamente, póngala a funcionar siguiendo el procedimiento recomendado a continuación:

Para volver a usar la lavadora:

1. Deje correr el agua por los tubos y las mangueras. Vuelva a conectar las mangueras de entrada de agua. Abra ambos grifos de agua.
2. Enchufe la lavadora o vuelva a conectar el suministro de energía.
3. Ponga a funcionar la lavadora en el ciclo Wash (Lavado) para limpiarla y quitar el anticongelante, en caso de haberlo usado. Use solamente un detergente de alto rendimiento (HE). Use la mitad de la cantidad recomendada por el fabricante para una carga mediana.

SOLUCIÓN DE PROBLEMAS

Pruebe las soluciones sugeridas aquí y posiblemente se evite el gasto de una visita de servicio técnico.

! ADVERTENCIA



Peligro de Choque Eléctrico

Desconecte el suministro de energía antes de dar mantenimiento.

Vuelva a colocar todos los paneles antes de hacer funcionar.

No seguir estas instrucciones puede ocasionar la muerte o choque eléctrico.

CÓDIGOS DE ERROR

Cuando la lavadora detecta un error, se detienen todas las operaciones de la máquina, se emite un sonido 4 veces seguidas y se muestra un código de error en el visor Estimated Time Remaining (Tiempo estimado restante).

CÓDIGO DE ERROR	DESCRIPCIÓN	CAUSA POSIBLE Y SOLUCIÓN
dO (La tapa de la lavadora está abierta)	La lavadora ha detectado que la tapa está abierta.	Si se abre la tapa durante el ciclo de lavado, el ciclo de lavado se detendrá. Si cierra la tapa, el error desaparece y la lavadora vuelve a funcionar normalmente.
Ld (Demasiado tiempo para desaguar el agua)	La lavadora ha detectado que tarda demasiado para desaguar completamente el agua de la tina de lavado.	Vea Agua en la sección "Solución de problemas". Llame al centro de servicio técnico al 1-877-337-3639.
UL (Carga desequilibrada)	La lavadora ha detectado una carga desequilibrada y no ha podido corregir la situación por sí misma.	Abra la tapa de la lavadora, redistribuya la carga, cierre la tapa y presione el botón Start/Pause (Inicio/Pausa) para reanudar el funcionamiento.
	La lavadora no está nivelada de lado a lado o de adelante hacia atrás.	Nivele la lavadora, abra y cierre la tapa de la lavadora y presione el botón Start/Pause (Inicio/pausa) para reanudar el funcionamiento.

CÓDIGO DE ERROR	DESCRIPCIÓN	CAUSA POSIBLE Y SOLUCIÓN
LF (Llenado demasiado prolongado)	La lavadora detecta que tarda demasiado en llenar la tina de lavado o no lee un cambio de nivel de agua durante el llenado.	<p>Vea Agua en la sección "Solución de problemas".</p> <p>Revise si hay fugas de agua.</p> <p>Llame al centro de servicio técnico al 1-877-337-3639.</p>
FA (Error del sensor de nivel de agua)	La lavadora ha detectado errores en el sensor de nivel de agua.	Llame al centro de servicio técnico al 1-877-337-3639.
F2 (El nivel del agua es demasiado elevado)	La lavadora ha detectado niveles de agua más elevados que los normales y el drenaje automático no ha resuelto el problema.	Llame al centro de servicio técnico al 1-877-337-3639.

FUNCIONAMIENTO

PROBLEMA	POSIBLE(S) CAUSA(S)	SOLUCIÓN
La lavadora no funciona	No está conectado el suministro eléctrico a la lavadora.	Conecte el cable eléctrico a un tomacorriente de 3 terminales con conexión a tierra.
	Se disparó el cortacircuitos o se quemó un fusible.	Reemplace/encienda el cortacircuitos o cambie el fusible.
	La lavadora está sobrecargada o la carga de lavado no está equilibrada.	Es posible que haya que quitar o redistribuir la ropa para volver a equilibrar la carga.
	Se seleccionó el ciclo Heavy Duty (Intenso) o Whites (Ropa blanca)	La lavadora hace pausas durante los ciclos para que se remoje la ropa. La lavadora volverá a ponerse en marcha automáticamente cuando se termine el tiempo de remojo.
	Se ha seleccionado el inicio diferido.	Cancele el inicio diferido.
	La tapa de la lavadora está abierta.	Cierre la tapa de la lavadora.

AGUA

PROBLEMA	POSIBLE(S) CAUSA(S)	SOLUCIÓN
El flujo de agua está lento o el llenado demora mucho tiempo	Es posible que los filtros de la mangueras en las válvulas de entrada de agua estén obstruidos.	Desconecte las mangueras de las válvulas de entrada y limpie los filtros.

PROBLEMA	POSIBLE(S) CAUSA(S)	SOLUCIÓN
	Los grifos de entrada de agua no están abiertos por completo.	Asegúrese de que los grifos de agua estén abiertos por completo.
	La manguera de llenado de agua está retorcida.	Asegúrese de que las mangueras de agua no estén enredadas, retorcidas ni aplastadas.
	No hay suministro de agua en la casa o la presión del agua es demasiado baja.	Revise otro grifo en la casa para asegurarse de que la presión del agua de la casa sea la adecuada.
La temperatura del agua está demasiado caliente o fría	La temperatura del calentador de agua no está ajustada correctamente.	El agua caliente deberá estar a una temperatura de por lo menos 120 °F a 140 °F (49 °C a 60 °C).
	Las mangueras de entrada de agua no están conectadas correctamente.	Asegúrese de que las mangueras de entrada estén conectadas como es debido (caliente con caliente, fría con fría).
Fugas de agua	Las conexiones de las mangueras de agua no están ajustadas.	Asegúrese de que estén ajustadas las conexiones de las mangueras de entrada en los grifos y la lavadora.
	La conexión de la manguera de desagüe no está firme o la manguera no está ubicada correctamente en el desagüe.	Asegúrese de que la conexión de la manguera de desagüe en la lavadora esté firme y que la manguera de desagüe esté colocada correctamente en la ubicación del desagüe.
	Fugas de agua no determinadas	Llame a un plomero competente.
La lavadora no desagua	La manguera de desagüe no está conectada correctamente a la lavadora.	Vuelva a conectar la manguera de desagüe a la lavadora.
	La manguera de desagüe no está ubicada correctamente.	Para que funcione como es debido, la parte superior de la salida del desagüe no debe estar a una altura superior a 60" (153 cm) por encima del piso.
	El fregadero o el tubo de desagüe están obstruidos.	Destape el fregadero o el tubo de desagüe.

PROBLEMA	POSIBLE(S) CAUSA(S)	SOLUCIÓN
El agua se derrama de la manguera de desagüe cuando la tina se está llenando	El extremo de la manguera de desagüe está demasiado bajo. NOTA: Si el extremo de la manguera de desagüe es más bajo que el nivel máximo de agua de la tina, la tina de lavado no se llenará o no retendrá el agua de manera apropiada.	Coloque la parte superior de la manguera de desagüe de modo tal que esté al menos 39" (99 cm) por encima del piso.

RUIDO

PROBLEMA	POSIBLE(S) CAUSA(S)	SOLUCIÓN
Sonido de golpeteo	Es posible que la carga de ropa no esté equilibrada.	Haga una pausa en la lavadora y vuelva a distribuir las prendas en la canasta de lavado.
	Es posible que la lavadora no esté nivelada.	Nivele la lavadora. Vea "Nivelación de la lavadora".
Sonido metálico o de traqueteo	Es posible que haya monedas, botones u objetos extraños en la lavadora.	Detenga la lavadora y revise que no haya monedas, llaves ni otros objetos extraños.
Chirrido	La lavadora puede estar sobrecargada.	Detenga la lavadora y quite una parte de la carga de lavado.
Vibración	Es posible que la lavadora no esté nivelada.	Verifique que las cuatro patas estén firmemente apoyadas en el piso y que la lavadora esté nivelada.
Sonido metálico/ salpicaduras y rociado	Encendido y apagado de los ciclos de lavado y enjuague.	Este sonido es normal.
Agua fluyendo	La bomba de desagüe está desagotando agua sucia de la lavadora.	Este sonido es normal.

ROPA

PROBLEMA	POSIBLE(S) CAUSA(S)	SOLUCIÓN
Arrugas	Separación incorrecta de la carga de lavado, sobrecarga o lavado a la temperatura equivocada.	Evite sobrecargar la lavadora y no mezcle la ropa pesada con prendas ligeras o delicadas.

PROBLEMA	POSIBLE(S) CAUSA(S)	SOLUCIÓN
Restos de detergente	Es posible que el detergente no se disuelva por completo en el agua extremadamente fría.	<p>Seleccione una temperatura tibia de lavado y asegúrese de que el calentador de agua suministre agua caliente a por lo menos 120 °F (49 °C).</p> <p>Use menos detergente de alto rendimiento (HE).</p> <p>Use la opción de Extra Rinse (Enjuague adicional).</p>
Exceso de espuma o bajo rendimiento de limpieza	Se utilizó un tipo de detergente incorrecto.	Use menos detergente de alto rendimiento (HE).
	Se utilizó demasiado detergente.	Debe utilizar detergente de alto rendimiento (HE).
Sale olor de la canasta de la lavadora	La ropa permaneció mojada en la lavadora demasiado tiempo.	Saque la ropa de la lavadora en cuanto finalice el ciclo.
	Los filtros de pelusa deben limpiarse.	Limpie los filtros de pelusa después de cada ciclo. Vea "Limpieza y mantenimiento".
Las prendas se han puesto grisáceas o amarillentas	No se separó la carga de lavado por color.	Separe los colores oscuros de los claros y blancos para evitar que se tiñan.
	No usó suficiente detergente o el nivel de suciedad de la carga de lavado requiere una temperatura de lavado más elevada.	Es posible que las cargas grandes y con mucha suciedad necesiten más detergente y agua más caliente. Consulte las instrucciones del fabricante del detergente para conocer el uso recomendado.
Ropa rota o enganchada	No se preparó la carga de lavado.	Ate los cordones y fajas. Vacíe los bolsillos, cierre las cremalleras, sujete las correas y cierre los ganchos de metal o sujetadores con gancho antes de cargar.
Manchas de blanqueador NOTA: Es posible que las manchas de blanqueador luzcan como puntos decolorados	La ropa tiene contacto directo con el blanqueador.	No vierta ni salpique el blanqueador directamente sobre la ropa. Si usa el depósito y aún ve manchas, pruebe usando blanqueador diluido.

PROBLEMA	POSIBLE(S) CAUSA(S)	SOLUCIÓN
La ropa parece más vieja y gastada	Se está usando un ciclo de lavado incorrecto o la temperatura de agua equivocada.	Siga las instrucciones de cuidado del fabricante de la prenda.

SI NECESITA MÁS AYUDA, VISITE HAIERAMERICA.COM O COMUNÍQUESE CON LA LÍNEA DE AYUDA AL CONSUMIDOR LLAMANDO AL 1-877-337-3639.

GARANTÍA LIMITADA

SERVICIO EN EL HOGAR

GARANTÍA COMPLETA POR UN AÑO

Durante 12 meses a partir de la fecha de compra original en la tienda, Haier reparará o reemplazará cualquier pieza del aparato sin costo, incluyendo la mano de obra, si la misma falla debido a defectos en los materiales o en la mano de obra.

Haier puede reemplazar, a su sola discreción, cualquier pieza, subsistema, incluso el producto entero.

El producto debe ser accesible, sin gravamen e instalado correctamente para recibir el servicio de reparación de garantía.

GARANTÍA LIMITADA

Después de un año a partir de la fecha de compra original en la tienda, Haier proveerá una pieza sin costo, como se indica a continuación, para reemplazar la pieza mencionada como resultado de defectos en los materiales o en la mano de obra. Haier se hará responsable solamente por el costo de la pieza. Cualquier otro costo como la mano de obra, los cargos por viaje, etc. será responsabilidad del propietario.

Del segundo al quinto año

Haier proveerá la tina exterior de lavado y las piezas de ensamblaje relacionadas con la misma si ésta no logra contener el agua.

Del segundo al décimo año

Haier proveerá la canasta interior de lavado de acero inoxidable si presentara defectos en los materiales o en la mano de obra.

NOTA: Esta garantía comienza en la fecha de compra de este producto, y el recibo original deberá presentarse al representante autorizado de servicio antes de hacerse las reparaciones bajo la garantía.

Excepciones: Garantía uso comercial

90 días en la mano de obra a partir de la fecha de compra original

90 días en las piezas a partir de la fecha de compra original

No es aplicable ninguna otra garantía.

PARA OBTENER SERVICIO BAJO LA GARANTÍA

Póngase en contacto con el centro de servicio autorizado más cercano a su localidad. Todo servicio deberá ser realizado por un centro de servicio autorizado por Haier. Para obtener el nombre y el número de teléfono del centro de servicio autorizado más cercano, llame al 1-877-337-3639.

Antes de llamar, tenga a mano la siguiente información:

Número de modelo y de serie del aparato. El nombre y la dirección del distribuidor en donde compró la unidad y la fecha de compra. Una descripción clara del problema. Un comprobante de compra (recibo de compra).

Una descripción clara del problema.

Un comprobante de compra (recibo de compra).

Esta garantía cubre servicios para electrodomésticos dentro de los Estados Unidos continental y Canadá y donde esté disponible en Alaska, Hawaii y Puerto Rico.

Lo que no está cubierto bajo esta garantía:

Reemplazo o reparación de fusibles domésticos, cortacircuitos, cableado o plomería.

Un producto cuyo número de serie original haya sido removido o alterado.

Cualquier cargo por servicio que no haya sido identificado específicamente como servicio normal, como puede ser el área o las horas de servicio.

Daños a la ropa.

Daños ocurridos durante el transporte.

Daños ocasionados por la instalación o el mantenimiento inadecuados.

Daños por el uso incorrecto, abuso, accidente, incendio, inundación o fenómenos de la naturaleza.

Daños debidos al servicio efectuado por un distribuidor o centro de servicio que sea diferente del autorizado por Haier.

Daños ocasionados por la corriente, el voltaje o el suministro eléctrico incorrectos.

Daños que resulten de cualquier modificación hecha en el producto, alteración o ajustes no autorizados por Haier.

Ajuste de los controles manejados por el cliente según han sido identificados en el manual del propietario.

Mangueras, perillas, bandejas de pelusa y todos los otros aditamentos, accesorios y piezas desechables.

Cargos por mano de obra, transporte para el servicio y envío para la remoción y el reemplazo de las piezas defectuosas que se efectúen después del periodo inicial de 12 meses.

Daños ocasionados por un uso diferente al doméstico normal.

Cualquier gasto de transporte y de envío.

ESTA GARANTÍA LIMITADA REEMPLAZA TODAS LAS OTRAS GARANTÍAS, EXPRESAS O IMPLÍCITAS QUE INCLUYAN, ENTRE OTRAS, LAS GARANTÍAS DE COMERCIABILIDAD O DE CAPACIDAD PARA UN PROPÓSITO EN PARTICULAR

El recurso provisto en esta garantía es exclusivo y está otorgado en lugar de cualquier otro recurso.

Esta garantía no cubre daños incidentales o consecuentes, de modo que las limitaciones indicadas anteriormente pueden no aplicarse en su caso. Algunos estados no permiten las limitaciones acerca de cuánto tiempo dura una garantía implícita, de modo que las limitaciones arriba indicadas quizás no le correspondan.

Esta garantía le otorga derechos legales específicos, y es posible que usted tenga otros derechos, los cuales varían de un estado a otro.

Haier America
Wayne, NJ 07470

INFORMACIÓN A TENER EN CUENTA

Le agradecemos la compra de este producto de marca Haier. Este manual para el usuario lo ayudará a obtener el mejor funcionamiento de su nueva lavadora.

Para referencia futura, anote el número de modelo y de serie, que están situados en la parte posterior de la lavadora, y la fecha de compra.

Engrape la prueba de compra a este manual para asistirle cuando necesite obtener servicio bajo la garantía.

Número de modelo

Número de serie

Fecha de compra

IMPORTANT

Do Not Return This Product To The Store
If you have a problem with this product, please contact the
"Haier Customer Satisfaction Center" at
1-877-337-3639.

DATED PROOF OF PURCHASE, MODEL #, AND SERIAL #
REQUIRED FOR WARRANTY SERVICE

IMPORTANT

Ne pas Réexpédier ce Produit au Magasin
Pour tout problème concernant ce produit, veuillez contacter
le service des consommateurs "Haier Customer Satisfaction Center" au
1-877-337-3639.

UNE PREUVE D'ACHAT DATEE EST REQUISE POUR BENEFICIER DE LA GARANTIE.

IMPORTANTE

No regrese este producto a la tienda
Si tiene algún problema con este producto, por favor contacte el
"Centro de Servicio al Consumidor de Haier" al
1-877-337-3639 (Válido solo en E.U.A).
NECESITA UNA PRUEBA DE COMPRA FECHADA, NÚMERO DE MODELO
Y DE SERIE PARA EL SERVICIO DE LA GARANTÍA

Made in China
Fabriqué en Chine
Hecho en China

Haier

Haier America
Wayne, NJ 07470

HLPW028BXW
Issued: April 2016

Printed in China

Part # 0030812994A
HAR # 0570001092 REV A