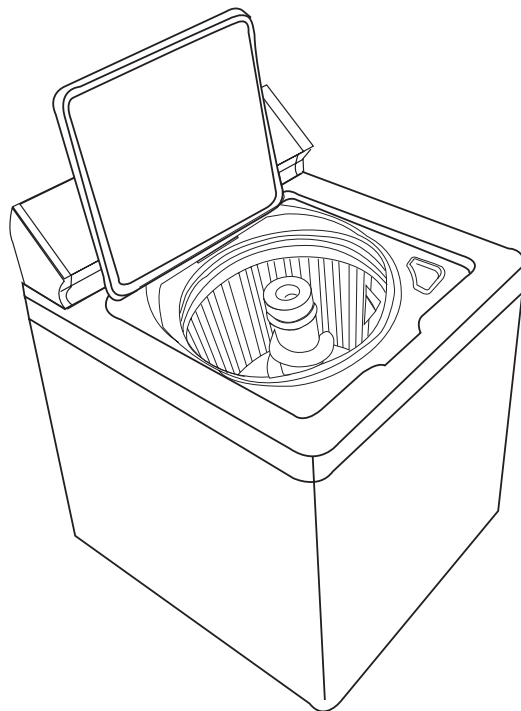


Top Load Clothes Washer

Lave-Linge Automatique á Dessus
Frontal Pour des Vêtements

Lavadora Automática Para las Ropas de
Cargado Tapa



User Manual
Model # HLT23E

Guide de l'Utilisateur
Modèle # HLT23E

Manual del Usuario
Para Modelo de # HLT23E



Quality ■ Innovation ■ Style

IMPORTANT SAFETY INSTRUCTIONS

Warning – ***To reduce the risk of fire, electric shock, or injury to persons when using your appliance, follow basic precautions, including the following:***

1. Read all instructions before using the appliance.
2. Use this appliance only for its intended purpose as described in this use and care guide.
3. Use only detergents or softeners recommended for use in a clothes washer and keep them out of the reach of children.
4. This washer must be properly installed in accordance with the installation instructions before it is used.
5. Never unplug your washer by pulling on the power cord. Always grasp the plug firmly and pull straight out from the outlet.
6. Replace immediately worn power cords, loose plugs/power outlets.
7. Unplug your washer before cleaning or before making any repairs.
8. If your old washer is not being used, we recommend that you remove the door. This will reduce the possibility of danger to children.
9. Do not operate your washer in the presence of explosive fumes.
10. Do not use washer to wash clothes soaked, spotted or washed in gasoline, dry cleaning solvents or any other explosive or flammable substances that could ignite and explode.
11. Clothes or rags used to clean flammable or explosive materials should not be washed in the washer till all traces of this material has been removed, to avoid an accident.
12. Do not add or mix any flammable or explosive substances to the wash.
13. Do not try to remove clothes while the tub or the agitator is moving. Let it come to a complete stop before use.
14. Washer loading door must be closed when agitator and tub is spinning.
15. Do not operate your washer when parts are missing or parts are broken.
16. Do not use the washer for commercial clothes washing.
17. Do not operate washer unless all enclosure panels are properly in place.
18. Do not tamper with controls.
19. To reduce risk of injury do not allow children to play in or on the washer.
20. Washer must be connected to proper electrical outlet with the correct electrical supply.
21. Proper grounding must be ensured to reduce the risk of shock and fire.

DO NOT CUT OR REMOVE THE GROUNDING PLUG. If you do not have a three-prong electric receptacle outlet in the wall, have a certified electrician install the proper receptacle. The wall receptacle MUST be properly grounded.

- 22. Hydrogen gas may be produced if the water heater has not been used in more than 2 weeks. This could be explosive and can explode under certain circumstances. If this is the case, before using the washer turn on all the hot faucets and let the hot water run for a few minutes. This will let the trapped hydrogen escape. During this process do not turn on an electric appliance, smoke, light a match/lighter or use a flame to avoid an accident, as hydrogen gas is flammable and can explode.

SAVE THESE INSTRUCTIONS

DANGER

Risk of child entrapment. Before you throw away your old washer, take off the door so that children may not easily get trapped inside.

Thank you for using our Haier product. This easy-to-use manual will guide you in getting the best use of your washer.

Remember to record the model and serial number. They are on a label in back of the washer.

_____ Model number

_____ Serial number

_____ Date of purchase

Staple your receipt to your manual. You will need it to obtain warranty service.

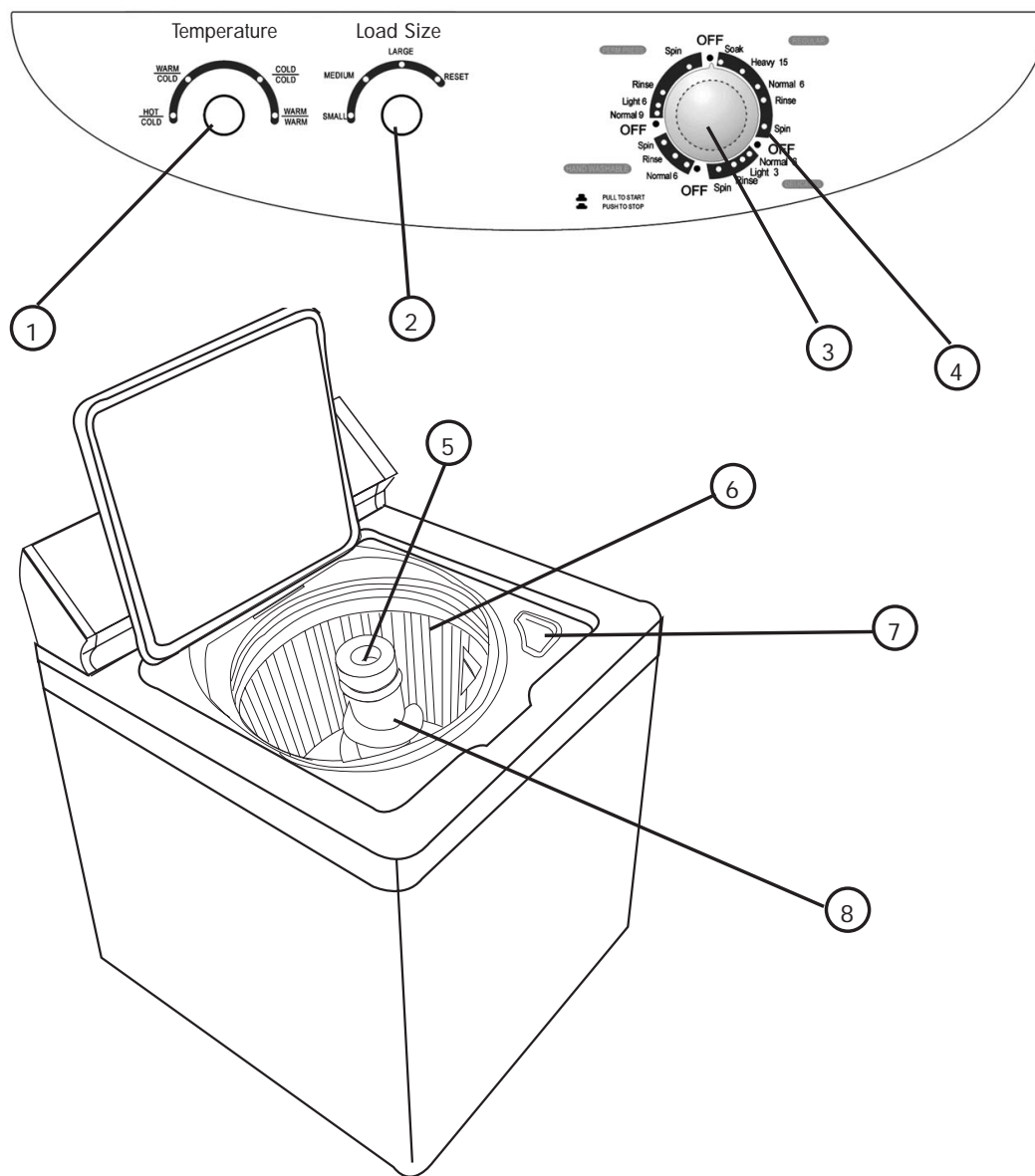
Table Of Contents

	PAGE
SAFETY INSTRUCTIONS	1
OPERATING INSTRUCTIONS	4
Parts and Features	4
Operations	5
Normal Operating Sounds	9
Lint Filter	9
Safety Lid Switch	9
Care and Cleaning Guide	10
Cleaning and Maintenance.....	10
Moving and Vacationing	11
Storage of Your Washer	11
Troubleshooting	12
INSTALLATION INSTRUCTIONS	14
Tools and Materials Required	14
Unpacking Your Washer	15
Leveling Your Washer	15
Steps for Installation	16
Electrical Connections	18
Grounding Instructions	18
Power Interruptions.....	18
Warranty	19

OPERATING INSTRUCTIONS

Parts and Features

Control Panel



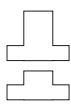
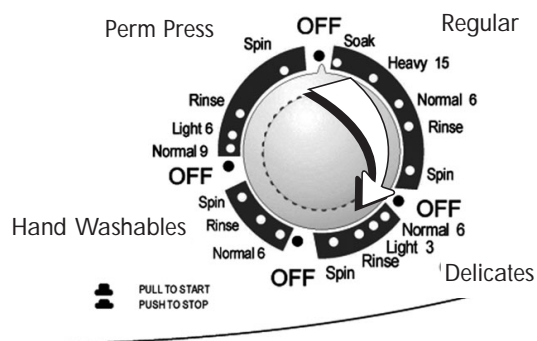
1. Temperature Control Knob
2. Load Size Knob
3. Start/Stop Knob
4. Wash Cycle/Wash Time Knob
5. Liquid Fabric Softener Dispenser
6. Inner Wash Tub
7. Liquid Bleach Dispenser
8. Agitator
9. Net Bag (For Gentle Laundry)

Operations

Wash Cycle/Wash Time:

- Select the appropriate cycle based on the fabric type and select the appropriate wash time based on the soil level. For your convenience, the washer has REGULAR, DELICATE, HAND-WASHABLE, and PERMANENT PRESS cycles.

Note: Turn the knob CLOCK WISE to your desired setting. Once the cycle is selected, then PULL OUT the knob to START. This will turn the washer "ON". To turn the washer off, move the knob to any "OFF" position.



Pull to Start



Push to Stop

Soak Cycle: This is used for heavily soiled or stained clothes. Here the tub fills with water than pauses to soak the clothes. The cycle is completed when water is extracted by spinning of the drum. This cycle is approximately 16 minutes.

Regular Cycle: This is used for work & play, household linens and heavy to lightly soiled cottons clothes. With regular wash speed, the agitator moves faster. This cycle is approximately 15 minutes for heavy wash and 6 minutes for regular wash.

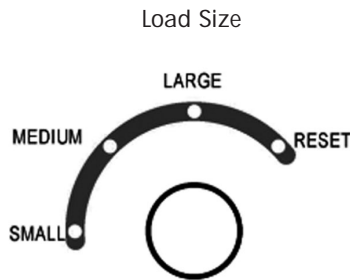
Delicate Cycle: This is used for special care fabric, lingerie with normal soil clothes and delicate items. With delicate wash speed, the agitator moves slower. This cycle is approximately 6 minutes for regular wash and 3 minutes for light wash.

Hand-Washable Cycle: This is used for lingerie, labeled "Hand-Washable" with light soil clothes. With hand-washable wash speed, the agitator moves very gently. This cycle is approximately 6 minutes.

Permanent Press Cycle: This cycle is used for knits, permanent press and wrinkle-free clothes. With permanent press wash speed, the agitator moves faster. This cycle is approximately 9 minutes for regular wash and 6 minutes for light wash.

Load Size/Water Level:

- Depending on the size of your load that you want to wash, you can select the appropriate water level settings: Small, Medium or Large.



Reset Mode:

- If you need additional water, turn the knob to the RESET position. Hold it until you have the amount of water you need. Once done, return to your original load size setting.

Warning: If you hold the RESET knob for an extended periods while the washer is running then it will cause washer to overflow.

Loading the Washer:

- Load each item loosely.
- Separate the white and colored clothes. Separate heavy clothes from light clothes.
- Carefully check all pockets and cuffs for small items. They can easily slide in to the tub and may damage the tub.
- Pre-treat all stains and heavily soiled areas for best results.
- Do not overload your washer.
- When loading wet items, keep water level high enough so items can float easily in the water.
- Avoid wrapping large items such as bed sheets around the agitator.
- Close the door properly after loading the clothes. If you keep the lid up, the agitation will not start.

Proper Use of Detergent:

- It is good washing practice to add the detergent to the water before you add the clothes so that the detergent can work effectively on your clothes.

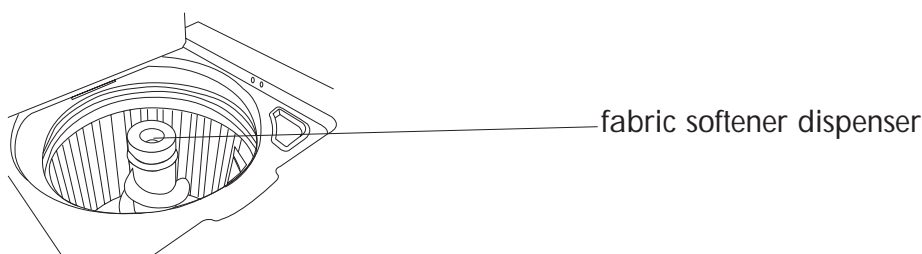
Note: You can use less or more detergent depending on the size of the load, water type in your living area, whether it is soft or hard and whether the clothes are heavily soiled or lightly soiled.

Fabric Softener Dispenser:

- The fabric softener dispenser is located on the top of the agitator. Dispenser will automatically release liquid fabric softener at proper time during rinse cycle.

Steps to use the dispenser:

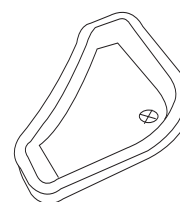
1. Pour in liquid fabric softener into dispenser as recommended by the manufacturer.
2. Add water up to its fill level, but do not exceed the level.



- Warning:**
- Never pour fabric softener directly onto clothes because it will stain your clothes or you may get spots on your clothes.
 - Do not stop washer during its first spin or dispenser will automatically release the softener in to the wash load.
 - Do not use powder form of softener into dispenser otherwise it will clog up the dispenser. This dispenser is only designed for liquid form.

Bleach Dispenser:

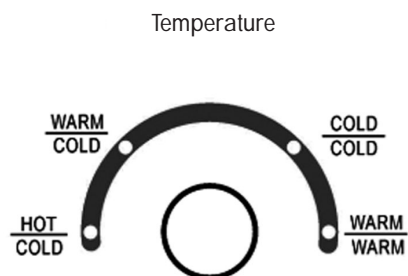
- Bleach dispenser is located on front corner under the lid.
- Pour in recommended amount of bleach into dispenser during the first wash fill.



Note: Use only liquid bleach in dispenser. You can use powdered bleach by directly adding it to wash tub.

- Warning:**
- Be careful not to spill undiluted bleach on the washer cabinet or your clothes. As it is a strong chemical, it may damage some of your clothes or the finish of the washer if not properly diluted.
 - Use the manufacturer's chart, on product container for recommended use of liquid or powder bleach.

Temperature Control: WASH/RINSE Temperature



- Depending on what types of clothes you are washing, select the desired temperature setting. See the garment for proper temperature that is recommended by garment manufacturers. You can wash and rinse from five temperature combinations:

WASH/RINSE	TYPES OF FABRICS
Hot/Cold	Sturdy whites & colored fabrics such as work & play clothes, soiled fabrics
Warm/Warm	Delicate & colored fabric
Warm/Cold	Soiled, permanent press, silks, woolens, nylon & acrylic
Cold/Cold	Non-colors Fabrics, lingerie with light or normal soil clothes & special care fabrics

Note: Hot water needs to be at a temperature of at least 120°F – 140°F. (49°C-60°C) for the soap to dissolve and to avoid soap residue remains on clothes.

Normal Operating Sounds

The following sounds are normally heard during the operation of the washer:

- Clanging: This is normal as the heavy wet clothes in the Washer are continuously being tossed around.
- Air rushing noise: This happens when the Washer tub spins at very high RPM.
- Wash and Rinse cycles going on and off will also make clicking sounds.

Lint Filter

- A self-cleaning lint filter works throughout the wash cycle to constantly remove lint and other residue from the water. It is located between the outer and inner tub. As water passes from the outer tub to the inner tub, water is forced through the bottom of the lint filter. The filter catches lint and holds it until the spin cycle begins. During the spin cycle, due to automatic centrifugal force of the machine it removes the lint by pulling it off the bottom of the filter and washing it down the drain.

Note: It does not require any maintenance or special cleaning.

Safety Lid Switch

- If for any reason you open the lid in the middle of the wash cycle, the washer will not spin and will shut off automatically. Once the lid is closed, the washer will start back on.

Care and Cleaning Guide

Warning: Always unplug your washer to avoid electric shock before cleaning. Ignoring this warning may result in death or injury. Before using cleaning products, always read and follow manufacturer's instructions and warnings to avoid personal injury or product damage.

Cleaning and Maintenance

- Use only damp or sudsy cloth for cleaning control panel.
- To avoid any kind of damage to cabinet finish, wipe washer cabinet as needed. If you spill liquid/powdered softener, bleach or detergent on the cabinet, wipe cabinet immediately because it can damage the finish.
- Do not use any abrasive, harsh chemicals, ammonia, chlorine bleach, concentrated detergent, solvents or metal scouring pads. Some of these chemicals may dissolve, damage and/or discolor your washer.
- Remove pins or other sharp objects from clothes to prevent scratching interior parts.
- Leave lid open after you are done washing to allow inside of washer to dry and prevent bad odors.

Moving & Vacationing

- Turn off water supply faucets and disconnect hoses. Drain water from all hoses. This will prevent from damaging due to water leakage if the hoses accidentally get ruptured or they become loose.
- Disconnect electrical plug.
- Dry inner wash tub. If moving washer, disconnect drain hose.
- Turn the leveling legs clockwise all the way in.
- Reinstall both shipping and drum braces to prevent inner and outer tubs from shaking when washer is moving to another location.
- Move and store your washer in upright position only.
- To prevent mold or mildew, leave lid open so moisture inside machine can evaporate.

Storage of Your Washer in Cold Environment

- The Washer must be stored at room temperature.
- If you just got delivery of a washer when outside temperature is below freezing, do not operate until washer has warmed to room temperature.
- Do not install or operate your washer where room temperature is below freezing.

Troubleshooting

Washer does not operate:

- Check if unit is plugged in. The plug may have come loose.
- Check if the electrical wall receptacle is of proper voltage.
- Check if the circuit breaker needs to be reset or if the fuse needs to be replaced.
- Check if the unit is in "Off" mode.
- Check if the washer is overloaded: load may need to be re-balanced and clothes may need to be redistributed.
- Check if the lid is open. You may have to close the lid properly.
- Check if the control knob is set properly. You may have to adjust the control knob.
- The washer pauses in some cycles. This is normal in delicate or hand-washable cycle, which has short soak period where your clothes are being soaked for very short period of time. You will not hear washer operation for a short period of time. When the soak time is over, it will start automatically.

Problems with water:

- Not enough water coming out: Water faucet may need to be turned on fully. Water hoses may be tangled up or wrinkled up. Straighten up hoses. Check water level selection, it may need to be readjusted.
- Water Temperature is incorrect: Check your water heater temperature. Hot water needs to be at a temperature at least 120°F. -140°F (49°C – 60°C.). Check to make sure the inlet hoses are properly connected. (e.g. hot to hot & cold to cold)
- Water leaks: This is due to not properly installing drain hose or fill hoses. Your home drain may be clogged or having constant water pressure. You may need to tighten hoses, check the plumbing or call a plumber.
- Water pumped out before the cycle is completed: It happens if you open the lid in the middle of cycle.
- Water will not drain: This is due to not installing your drain hose properly. You may need to connect the drain hose properly. Check the position of the drain hose. In order to drain properly, make sure that top of drain outlet is less than 4 ft. (1.2 m) above the floor.

Washer is making noise:

- Washer may need to be reinstalled. (Check washer installation section)
- Washer load may need to be re-balanced, as the load may be uneven.
- Coins, loose change, buttons or other heavy objects could make noise (read Operating Guide – Normal Operating Sounds).
- Squealing Sound: Due to overloaded wash tub.
- Vibration Noise: Due to not leveling washer properly on the floor and uneven distribution of clothes in the tub.

Problems with clothes:

- Clothes are too wrinkled: this is due to improper sorting, overloading and washing in too hot water repeatedly. Avoid overloading and resort your load. Do not mix heavy clothes such as work clothes with light clothes such as blouses, light shirts and delicate items. You may need to wash in warm or cold water.
- Have soap residue: detergent may not be dissolving in water. Check water temperature or you need to add detergent as wash tub is being filled with water before you load your clothes to avoid soap residue on clothes.
- Spots or stains on your clothes: this is due to incorrect use of fabric softener. You may need to read proper instructions on the container and follow proper directions for using the softener.
- Clothes are grayed or yellowed: this is due to not pouring enough detergent for large loads. You may have to add more detergent to the load.
- Clothes are ripped & have holes/excessive wear & tear: this is due to sharp objects such as pins and belt buckles left in pockets. You will need to remove small loose sharp objects. Fasten belts, zippers, metal snaps etc. Check if you are using undiluted bleach. Never add undiluted bleach to wash.

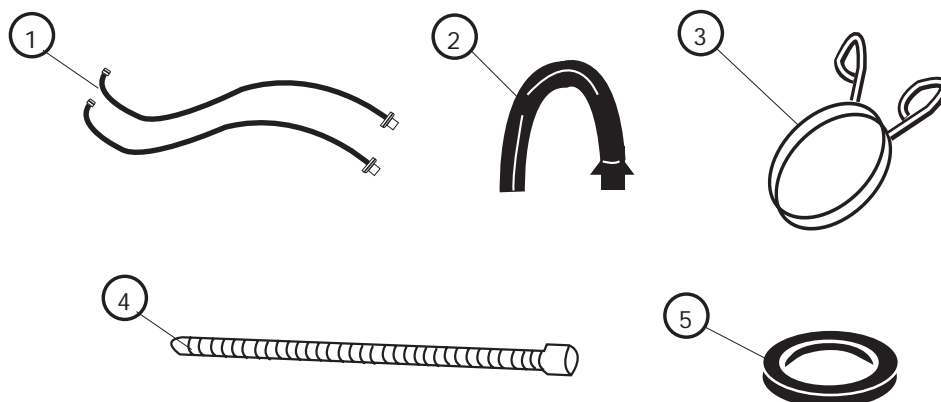
INSTALLATION INSTRUCTIONS

Tools and Materials Required

You will need to have following tools to help you in the installation of your Washer:

- Scissors
- Phillips Screwdriver
- Standard Screwdriver
- Pliers
- Wrench
- Tape Measure
- Gloves
- Level

Accessories Supplied	Quantity
1. Hot & Cold water inlet hoses	2
2. Drain Hose Hook	1
3. Drain Hose Clamp	1
4. Outer Drain Hose Component	1
5. Flat Water Inlet Hose Washers	4



Unpacking Your Washer

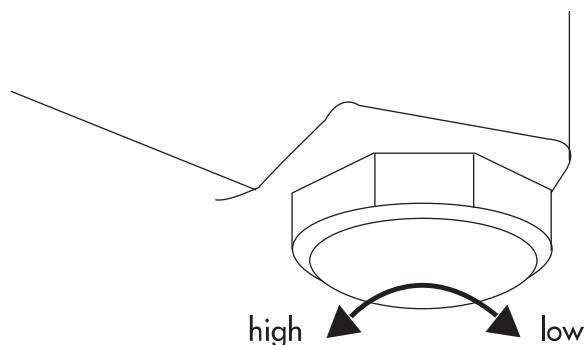
- Remove all packing materials. This includes the foam base and all adhesive tape holding the washer accessories inside and outside.
- To remove the cardboard shipping brace from the washer, step on the cardboard base and tilt the washer back, until the security shipping screw is free from the base. Slide out the cardboard base and lower the washer in place. Open the top lid to remove the styrofoam drum brace. Pull to remove.

Note: Save both the shipping and drum brace. Reinstall when moving the washer.

- Inspect and remove any remains of packing, tape or printed materials before using the washer.

Leveling Your Washer

- Your washer has 4 leveling legs; which are located on the four bottom corners. After properly placing your washer in its final position, you can level your washer.
- Leveling legs can be adjusted by turning them counterclockwise to raise your washer or turning them counter clockwise to lower your washer.



Steps for Installation

- Select a suitable location for the washer on a hard even surface away from direct sunlight or heat source e.g. radiators, baseboard heaters, cooking appliances etc. Any floor unevenness should be corrected with the leveling legs located on the bottom corners of the washer. The washer must be placed at room temperature. You must not place washer where the temperature is at below freezing.

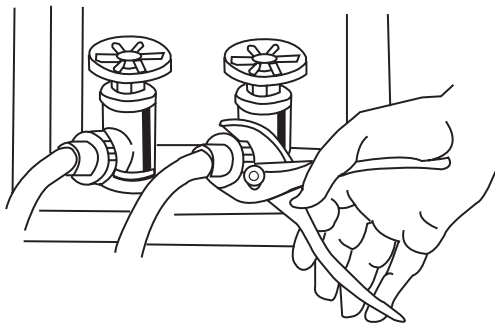
Installing Your Washer:

Read install instructions carefully before installation.

Caution: If, after completing these steps, you are unsure that unit is properly installed, contact a qualified installer. To ensure that your Washer is properly installed it is recommended that it be installed by a certified installer.

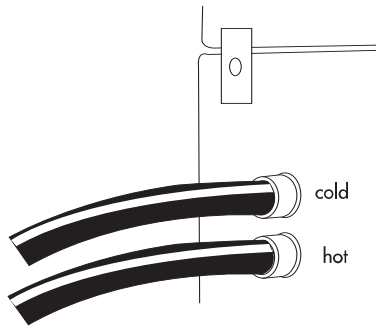
1. Insert a new flat washer into each end of the inlet hoses. Firmly put the washers in the coupling.

Note: You may have to use pliers to tighten the coupling. Do not over tighten because you may cause damage to the valve.



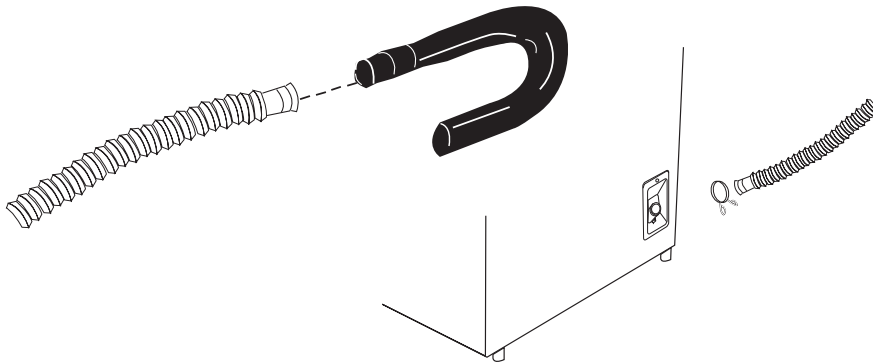
2. Connect the hot and cold water inlet hoses to the hot and cold water faucet.

3. Connect the other end to their respective washer inlet located at the rear of the washer.



Note: Hot water needs to be at a temperature of at least 120°F – 140°F. (49°C- 60°C) for the soap to dissolve and to avoid soap residue remaining on clothes.

4. Install the drain hose hook to the outer drain hose tube. Using the drain hose clamp, attach the drain hose to the unit as shown below.



5. Plug in power cord into a regular 115 volt / 60 Hz, 15 amp outlet.

Electrical Connections

Grounding Instructions

This appliance must be grounded. In the event of an electrical short circuit, grounding reduces the risk of electric shock by providing an escape wire for the electric current. This appliance is equipped with a cord having a grounding wire with a grounded plug. The plug must be inserted into an outlet that is properly installed and grounded.

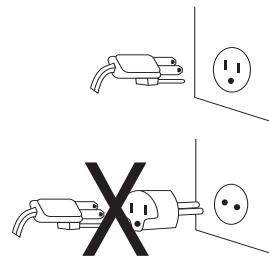


- Improper use of the plug can result in a risk of electric shock.
- Consult a qualified electrician or service person if the grounding instructions are not completely understood or if doubt exists as to whether the appliance is properly grounded.

Wiring Requirements:

- The washer must be plugged into at least 15 AMP 115-120 VOLT, 60 HZ GROUNDED OUTLET.

Note: Where a standard two-prong outlet is encountered, it is the personal responsibility and obligation of the consumer to have it replaced with a properly grounded three-prong outlet.



Extension Cords:

We do not recommend that you use an extension cord.

Power Interruptions

Occasionally there may be power interruptions due to thunderstorms or other causes. Remove the power cord from AC outlet when a power outage occurs. When power has been restored re-plug power cord to AC outlet. If outage is for a prolonged period, clean washer before using it again.

Limited Warranty

Full ONE Year Warranty

For 12 months from the date of original retail purchase, Haier will repair or replace any part free of charge including labor that fails due to a defect in materials or workmanship.

Limited Warranty

After one year from the original retail purchase date, Haier will provide a part at no cost, as indicated below, to replace said part as a result of a defect in materials or workmanship. Haier is solely responsible for the cost of the part. All other costs such as labor, trip charge, etc are the responsibility of the owner.

Second Year

Haier will provide All Parts.

Third through Fifth Year

Haier will provide the transmission assembly.

Haier will provide the cabinet assembly should the cabinet rust through

Third through Tenth Year

Haier will provide the outer wash tub and related outer tub assembly parts should the part fail to hold water.

Third through Fifteenth Year

Haier will provide the inner plastic wash tub.

Lifetime

Haier will provide the inner stainless steel wash tub.

NOTE: This warranty commences on the date the item was purchased and the original purchase receipt must be presented to the authorized service representative before warranty repairs are rendered.

Exceptions: Commercial or Rental Use Warranty

90 days labor from date of original purchase

90 days parts from date of original purchase

No other warranty applies

For Warranty Service

Contact your nearest authorized service center. All service must be performed by a Haier authorized service center. For the name and telephone number of the nearest authorized service center please call 1-877-337-3639.

Before calling please have available the following information:

Model number and serial number of your appliance (found on the rear of the unit on the upper left hand side).

The name and address of the dealer you purchased the unit from and the date of purchase.

A clear description of the problem.

A proof of purchase (sales receipt).

This warranty covers appliances within the continental United States, Puerto Rico and Canada. What is not covered by this warranty:

Replacement or repair of household fuses, circuit breakers, wiring or plumbing.

A product whose original serial number has been removed or altered.

Any service charges not specifically identified as normal such as normal service area or hours.

Damage to clothing.

Damage incurred in shipping.

Damage caused by improper installation or maintenance.

Damage from misuse, abuse accident, fire, flood, or acts of nature.

Damage from service other than an authorized Haier dealer or service center.

Damage from incorrect electrical current, voltage or supply.

Damage resulting from any product modification, alteration or adjustment not authorized by Haier.

Adjustment of consumer operated controls as identified in the owners manual.

Hoses, knobs, lint trays and all attachments, accessories and disposable parts.

Labor, service transportation, and shipping charges for the removal and replacement of defective parts beyond the initial 12-month period.

Damage from other than normal household use.

Any transportation and shipping charges.

THIS LIMITED WARRANTY IS GIVEN IN LIEU OF ALL OTHER WARRANTIES, EXPRESSED OR, INCLUDING THE WARRANTIES OF MERCHANTABILITY AND FITNESS FOR A PARTICULAR PURPOSE

The remedy provided in this warranty is exclusive and is granted in lieu of all other remedies.

This warranty does not cover incidental or consequential damages, so the above limitations may not apply to you. Some states do not allow limitations on how long an implied warranty lasts, so the above limitations may not apply to you.

This warranty gives you specific legal rights, and you may have other rights, which vary, from state to state.

Haier America
New York, NY 10018.

IMPORTANT

Do Not Return This Product To The Store

If you have a problem with this product, please contact the
"Haier Customer Satisfaction Center" at 1-877-337-3639.

DATED PROOF OF PURCHASE REQUIRED FOR WARRANTY SERVICE

IMPORTANT

Ne pas Réexpédier ce Produit au Magasin

Pour tout problème concernant ce produit, veuillez contacter le service des
consommateurs 'Haier Customer Satisfaction Center' au 1-877-337-3639.

UNE PREUVE D'ACHAT DATEE EST REQUISE POUR BENEFICIER DE LA GARANTIE.

IMPORTANTE

No regrese este producto a la tienda

Si tiene algún problema con este producto, por favor contacte el "Centro de Servicio al
Consumidor de Haier" al 1-877-337-3639 (Válido solo en E.U.A).

NECESITA UNA PRUEBA DE COMPRA FECHADA PARA EL SERVICIO DE LA GARANTIA

240 V, 60 Hz

Made in China
Fabriqué en Chine
Hecho en China

Haier



Haier America
New York, NY 10018

Printed in China