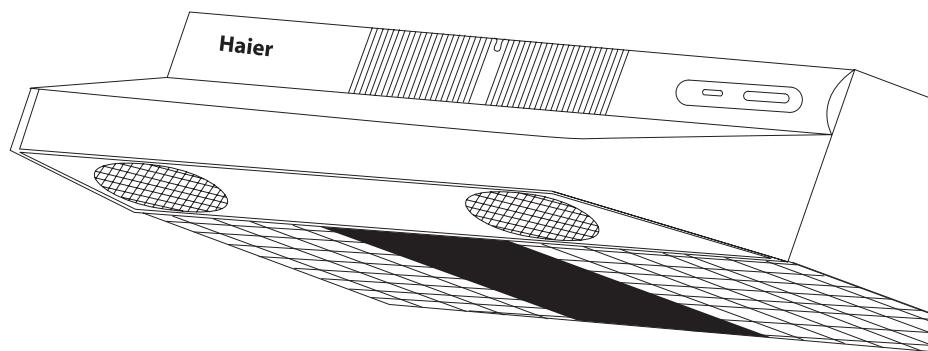


Range Hood

Extractor de Aire

Hotte de Cuisiniere



User Manual Model
HHX3030

Guide de l'Utilisateur
HHX3030

Manual del Usuario Modelo
HHX3030

Haier

Quality ■ Innovation ■ Style

SAFETY PRECAUTIONS

Warning! – To reduce the risk of fire, electric shock, or injury to persons, always exercise basic safety precautions, including the following:

1. Read all instructions before using the appliance.
2. Use this appliance only for its intended purpose as described in this user manual.
3. Do not use any accessories not recommended by the manufacturer.
4. This unit must be grounded.
5. Do not use this appliance for commercial uses.
6. Installation work and electrical wiring must be done by qualified technicians in accordance with all applicable codes and standards, including fire-rated construction.
7. Sufficient air is needed for proper exhausting of gases of fuel-burning equipment through the flue (chimney) to prevent back drafting. Follow the heating equipment manufacturer's guidelines and safety standards such as those published by the National Fire Protection Association (NFPA), and the American Society for Heating, Refrigeration and Air Conditioning Engineers (ASHRAE), and local code authorities.
8. When replacing an existing range hood with your new Haier Range Hood, turn OFF the electrical power to the existing unit before removal.
9. Before servicing or cleaning the unit, turn the power OFF at the service panel and if possible, lock the service panel to prevent power from being switched on accidentally. When the service panel cannot be locked, securely fasten a prominent warning device, such as a tag, to the service panel.
10. Do not repair or replace any part of the appliance or attempt any servicing.
Note: If for any reason this product requires service, we strongly recommend that a certified technician perform the service.
11. When cutting or drilling into wall or ceiling, be careful not to damage existing electrical wiring and other hidden utilities.
12. Ducted fans must always be vented to the outdoors.

To reduce the risk of range top grease fires:

1. Always turn the hood ON when cooking at high heat or when cooking flaming foods.
2. Never leave cooking unattended at high settings. Boilovers cause smoking and greasy spillovers that may ignite. Heat oils slowly on low or medium settings.
3. Use proper-sized pans that correspond to the size of the stove, and the amount of food being cooked.
4. Clean ventilation fans frequently. Do not allow grease to accumulate on the fan
1 or the filter.

To reduce the risk of personal injury in the event of a range top grease fire:

1. NEVER pick up a flaming pan, as you may be injured.
2. DO NOT use water, including wet dishcloths or towels, to put out a fire. A violent steam explosion may result.
3. Smother flames with a close-fitting lid, metal tray, or cookie sheet. Then turn OFF the burner. BE CAREFUL TO AVOID BURNS! If the flames are not put out immediately, evacuate and call the fire department.
4. Use an extinguisher only if:
 - a) You know that you have a Class ABC extinguisher and you already know how to use it.
 - b) The fire is small and contained in the area where it started.
 - c) The fire department is being called.
 - d) You can fight the fire with your back to an exit.

CAUTION!

Important – Observe all governing codes and ordinances.

1. For general ventilation use only. Do not use this appliance to exhaust hazardous or explosive materials and vapors.
2. To reduce the risk of fire, use only metal ductwork.
3. To avoid damage to motor or other components, keep drywall spray, construction dust, etc. off the power unit.
4. Please read specification label on product for further information and requirements.

SAVE THESE INSTRUCTIONS for Future Use

Thank you for using our Haier product. This easy-to-use manual will guide you in getting the best performance from your Haier Range Hood.

Remember to record the model and serial number. They are on a label in the refrigerator.

Model number

Serial number

Date of purchase

Staple your receipt to your manual.

You will need it to obtain warranty service.

Table Of Contents

| | PAGE |
|--|------|
| Safety Precautions | 1 |
| Accessories | 4 |
| Installation Preparation..... | 5 |
| Cabinet Preparation | 6 |
| Selecting Venting Direction | 7 |
| Cabinet Preparation for Hoods Support..... | 8 |
| Preparing Electrical Connections | 8 |
| Preparing Duct Connections | 9 |
| Wiring Diagrams..... | 10 |
| Installing Ductwork..... | 10 |
| Hood Installation | 11 |
| Use and Care | 12 |
| Troubleshooting | 13 |
| Warranty Information..... | 14 |

Accessories

Range Hood Accessories Provided:

- 1 Range Hood
- 1 Damper Flap
- 4 Damper Screws
- 4 Range Hood Screws
- 4 Washers
- 2 Wire Connectors
- 2 Aluminum Filter with Charcoal Inserts
- 2 Aluminum Filter
- 1 User Manual

Check to make sure that all parts and accessories are present and in good condition. If you find that they are not in good condition or are missing, please contact our customer service department for assistance. **Our Toll-Free number is 1-877-337-3639.**

Installation Preparation

To install this range hood, you will need the following tools and materials:

Note: This procedure will require 2 people for easier installation.

Tools Needed for Installation

- Drill
- 1/8" Drill bit for drilling pilot holes
- 1-1/4" Wood bit for drilling electrical wiring access hole
- Phillips head screwdriver
- Flat-head screwdriver
- Pliers
- Pencil, rule and level for marking range hood location
- Hand saw or jig saw for cutting the wall or cabinet openings
- Duct tape
- Electrical tape
- Connector Clamp

General Preparation

Caution! Please be sure to turn the electrical power switch OFF before beginning the installation.

1. Remove the range hood from the carton.
2. Lay the range hood upside down on a table covered with either cardboard or paper to prevent scratching the hood or table.
3. Unscrew the 2 lamp covers with a Phillips head screwdriver.
4. Remove the lamp covers.
5. Install two 40 Watt light bulbs.
6. Replace the lamp covers and the screws.
7. Remove the 2 grease filters from the hood. Place them somewhere safe so they will not be damaged.
8. Remove the range hood's bottom cover by removing the 4 screws holding it in place. Put the cover somewhere safe so that it will not be damaged and save the screws.

9. Remove the range hood's wire compartment cover. It is held in place by 1 screw. Place the cover and screw somewhere safe until needed.
10. Remove the range hood's blower. Use a 3/8" nut driver or ratchet to remove the 4 nuts holding it in position (Fig. 1). Place the blower and nuts somewhere safe until needed.

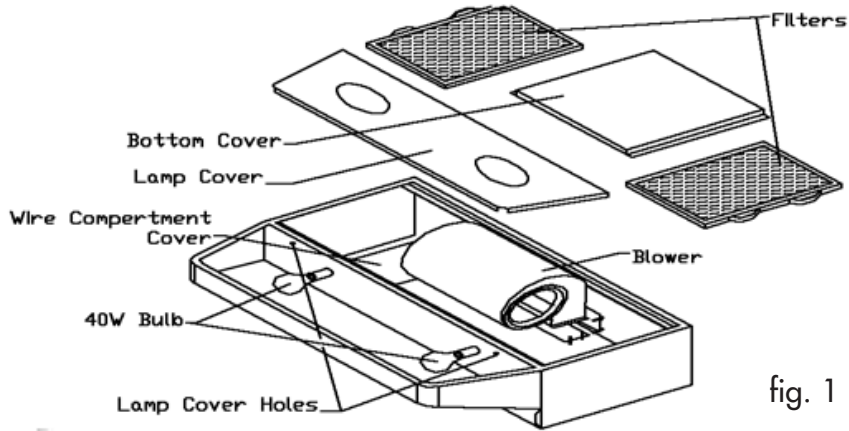


fig. 1

11. Turn the hood right side up so you can see the duct knockouts and mounting holes.

Cabinet Preparation for Hood Support

Mount the hood so that the bottom of the hood is between 24"-30" above the stovetop.

Warning! When cutting or drilling into wall or cabinet, be careful not to cut existing electrical wiring.

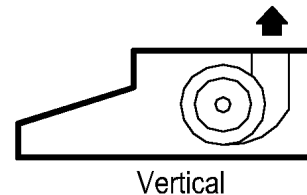
1. If the bottom of the cabinet is recessed above the bottom of the cabinet door, then it is necessary to install wood strips on each side of the recessed area on the bottom of the cabinet where the range hood will be mounted. The wood strips should line up with the 4 keyhole slots on the top of the range hood. Fasten the wood strips with wood screws about 3" in from each end.
Note: The thickness of the wood strips should be slightly more than the recessed dimension. The length should be cut to size.
2. Measure and mark the electrical wiring opening in the wall or the cabinet. If the hood is to be vented, also mark and measure the duct opening in the wall or cabinet.

Selecting the Venting Direction

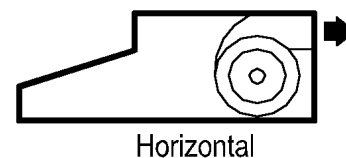
The range hood can be used for either horizontal, vertical or ductless air discharge. Your range hood is supplied with a 3-1/4" x 10" damper frame for a transition piece from the hood to the ducting. Below is a brief ducting installation description. Your installation will depend on whether there is an existing ducting or whether you need to install a ducting run. For the best performance, use the shortest possible ducting path and the least amount of elbows when discharging horizontally or vertically.

Vertical Discharge – Vertical discharge is the most common method of hood installation. If your kitchen has an attic space above, the ducting may be run through the cupboard and the attic to a roof cap. Use a 7" round duct (not included).

Another option, if your kitchen has a soffit above the cabinet, is to run the duct up into the soffit and then discharge the air horizontally through the outside wall to a wall cap.



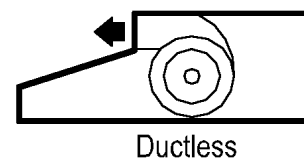
Horizontal Discharge - If the range is located against an outside wall, then horizontal discharging is ideal, provided there are no obstructions such as wall joists or places where openings are difficult to make.



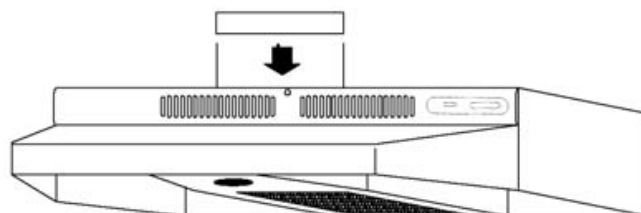
If a wall cap is used directly off the back of the hood, special care must be taken to ensure that the damper in the damper/duct connector on the hood and the damper in the wall cap do not interfere with each other when the range hood is operating. This could result in either inadequate air delivery or back drafts. If this condition exists, remove the hood damper flap. Sometimes when using a wall cap, it is easier to duct vertically and than to use an elbow.

Ductless – In ductless installations, air is vented back into the kitchen through the opening in the range hood grille. If you do not anticipate heavy cooking, this method may be preferable. Ductless installation requires the use of a charcoal filters (included) to remove odors, which should be replaced at regular intervals depending on use. Check with your local retailer or dealer for replacements.

Note: This filter is not dishwasher safe!



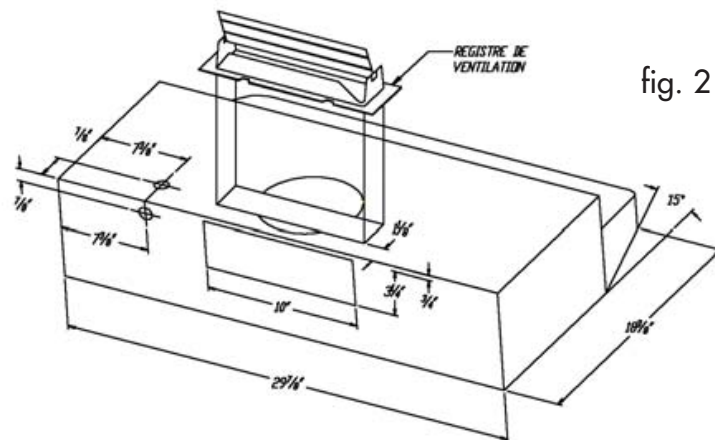
It will not be necessary to remove any duct knockouts, however you must remove the vent cover from the slots on the front of the rangehood. Save the vent cover for possible future use.



Preparation of Electrical Connections

Note: If replacing an existing hood, the electrical cable may need to be re-routed to the desired position.

1. Determine the location of the electrical cable to connect to the range hood (Fig. 2). The preferred location for the electrical connector, vertical or horizontal, will depend on the existing installation or ease of routing wiring. All electrical connections must comply with national and local codes. Transfer the location of the selected range hood knockouts to the bottom of the cupboard or onto the wall, then cut or drill a hole to allow for clearance of the electrical cable clamp. Be careful not to cut into any hidden utilities, such as electrical wires.



2. Once you have planned your ducting and electrical installation, remove the appropriate electrical knockouts on the back or top of the range hood, attach the damper frame and install a standard electrical cable clamp.

Blower Installation

1. When reinstalling the blower into the hood, you will have to mount the blower in the same direction you have ducted it (horizontal, vertical or ductless).
2. Using the 4 nuts removed earlier, secure the blower in place. Start the nuts by hand first, then tighten with a 3/8" nut driver or ratchet. A 3/8" ratchet with an extension will make this operation easier.
3. Plug the blower into the appropriate connector on the side of the wire compartment.

Note: For ductless installation, remove the range hood's vent insert from the front grille.

Preparation for Duct Connection

1. Remove the appropriate ducting knockout by inserting a screwdriver under one end and prying it up. Then snip or break the attachment points.

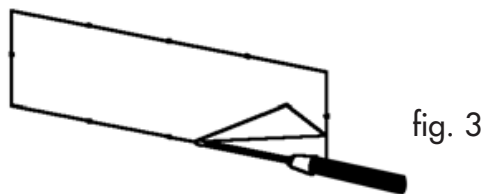


fig. 3

2. Install the damper assembly to the range hood with the 2 screws supplied (fig. 2).
3. If discharge is vertical through a rectangular duct, remove the knockout sections D, B and E only (Fig. 4).
4. If the vertical discharge is through a 7" round duct, remove knockout sections "A" and "B" and "C" only (Fig. 4).

Note: Section "D" and "E" remain with the hood.

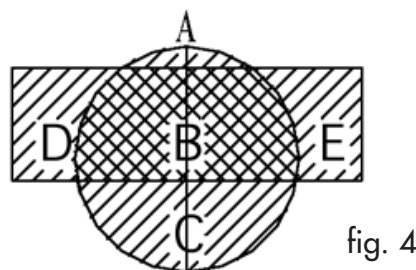
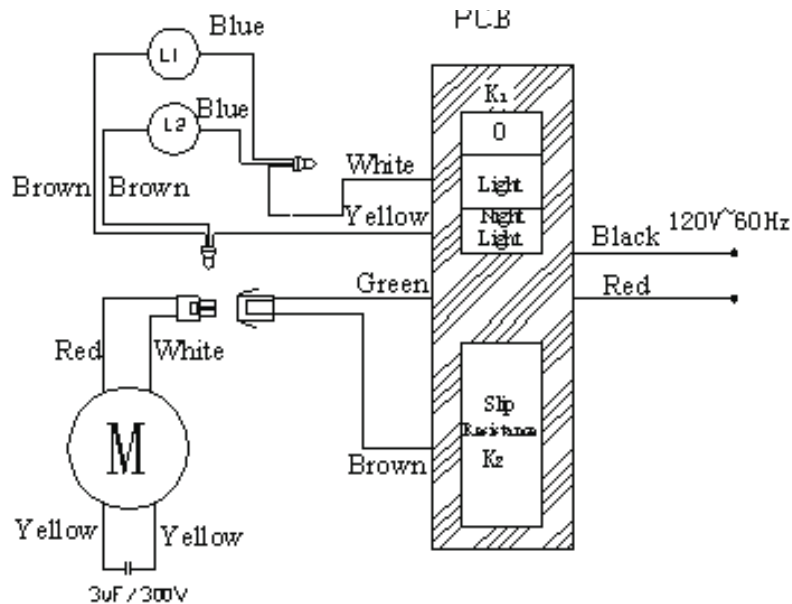


fig. 4

5. Mount the round collar (E22A -not supplied) over the opening on the hood by using 3 shorter screws. Allow the bottom edge of the 7" duct to be inserted into the collar.

Wiring Diagrams



Installing Ductwork

Your new range hood will operate at the highest efficiency if the number of elbow and the length of the duct are kept to a minimum. The back draft damper flap attached to the damper frame assembly, which is supplied with the hood, does not impede airflow significantly. You may leave this in place even if you install a wall or roof cap with another back draft damper.

Hood Installation

Note: All wiring installation must comply with local and national electrical code regulations.

1. Lift the hood into position and guide the electrical cable through the electrical cable clamp on the hood.
2. Insert the 4 wood screws from the bottom and securely fasten.
3. Secure the electrical cable in the cable clamp while allowing sufficient length in the hood to connect the field wires to the hood wires.
4. Make the electrical connections using screw-on wire connectors. Attache the black wires together and then the white wires together and then the green or bare wire to the green grounding screw in the hood. Replace the wiring compartment cover.

Caution! All wiring installation must comply with local and national electrical code regulations.

5. Attach ductwork and use duct tape to seal all joints.
6. After turning all range hood switches to the OFF position, turn the power ON and test your installation.

Use and Care

Aluminum Filter

For highest efficiency, this filter should be removed and cleaned periodically. Soak the filter in hot water and mild soap or detergent. Rinse thoroughly and repeat if necessary. The aluminum filter may be cleaned in the dishwasher. Heavy grease buildup may not be cleaned easily, thus the filter may need to be replaced.

Charcoal Filter

Inspect this filter periodically. This filter cannot be cleaned and must be replaced when it becomes saturated. Check with your local retailer or dealer to purchase.

Light Bulb

Do not use light bulbs that are brighter than 40 watts.

Exterior Surface

Wipe the range hood exterior with a soft cloth and a mild detergent suitable for painted surfaces. Do NOT use abrasive materials such as steel wool pads or scouring powders.

Repair or Replacement Parts

Warning! Disconnect range hood from the electrical power supply before servicing. All parts may be obtained from service centers authorized by Haier, or may be ordered directly from Haier. When ordering parts, please specify the range hood model number on the rating label, which is located on the inside of the range hood.

Trouble Shooting

Fan does not turn on (but light turns on).

This is probably due to either a defective fan switch or a burned-out fan motor. Both can be replaced without removing the range hood from the wall or cabinet. Use an ohm meter to determine which component is not working. If the ohm meter reads that the fan switch has 0 ohms of resistance, then it is the motor that needs to be replaced. If it reads anything other than zero, then the switch must be replaced.

Fan only runs at one speed.

Please see instructions above for troubleshooting when your fan does not turn on (but light turns on).

Fan circulates air, but does not vent outside.

If air is blowing through the front vent openings, then your range hood has been installed for ductless operation. In order to convert the system to vent outside, a technician must install metal ductwork from the range hood through either an outside wall or the roof.

If air is not blowing from the front vent openings, check inside the cabinet above the range hood. If you see a metal duct leading away from the vent hood, then you have a system that vents to the outdoors. If you do not see a duct, your unit may be venting through the back wall.

Light does not turn on (but fan turns on).

This could be because the bulb has burned out. Try replacing the light bulb. If the light still does not work, either the light switch or the lamp-holder socket is defective. Both can be replaced without removing the range hood from the wall or cabinet.

Night light does not turn on.

Please see above instructions for troubleshooting when the light that does not turn on (but fan turns on).

Range hood does not turn on at all.

First, check for a tripped circuit breaker or a blown fuse, since the range hood is wired directly to your household electrical system.

NOTE: All work must be performed by a qualified and licensed technician!

Limited Warranty

This warranty covers all defects in workmanship or materials for:

The mechanical and electrical parts (including labor costs) contained in this Haier product, for a period of 12 months, from the date of purchase (for commercial or rental applications, the warranty is 90 days).

You must keep and be able to provide your original sales receipt as proof of the date of purchase.

Who is covered?

The original retail purchaser of this Haier product.

What will be done?

Haier will repair or replace, in your home, any mechanical or electrical part, which proves defective, in normal household use for a period of 12 months.

How can you get service?

1. Contact your nearest Haier authorized Service Center. For the name of the Service Center nearest you, contact Haier at (877) 337-3639.
2. All service must be performed by an authorized Haier Service Center.

THIS WARRANTY COVERS UNITS WITHIN THE CONTINENTAL UNITED STATES, CANADA AND PUERTO RICO.

THIS WARRANTY DOES NOT COVER:

- Damages from improper installation
- Damages from shipping
- Damages from misuse, abuse, accident, alteration, lack of proper care and maintenance
- Damages from service by persons other than an authorized dealer or service center
- Labor, service, transportation and shipping charges for the removal of defective parts and for installation of a replacement part, beyond the initial 12-month period.

THIS LIMITED WARRANTY IS GIVEN IN LIEU OF ALL OTHER WARRANTIES, EXPRESSED OR IMPLIED, INCLUDING THE WARRANTIES OF MERCHANTABILITY AND FITNESS FOR A PARTICULAR PURPOSE.

The remedy provided in this warranty is exclusive and is granted in lieu of all other remedies. This warranty does not cover incidental or consequential damages. Some states do not allow the exclusion of incidental or consequential damages, so this limitation may not apply to you. Some states do not allow limitations on how long an implied warranty lasts, so this limitation may not apply to you. This warranty gives you specific legal rights, and you may also have other rights, which vary from state to state.

IMPORTANT
Do Not Return This Product To The Store

If you have a problem with this product, please contact the
"Haier Customer Satisfaction Center" at 1-877-337-3639.

**DATED PROOF OF PURCHASE, MODEL # AND SERIAL #
REQUIRED FOR WARRANTY SERVICE**

IMPORTANT
Ne pas retourner cet article au magasin

En cas de problème avec cet article, veuillez contacter le « Centre satisfaction client » de Haier
au 1-877-337-3639.

**UNE PREUVE D'ACHAT DATÉE, LE NUMÉRO DU MODÈLE ET LE NUMÉRO DE SÉRIE SONT
OBLIGATOIRES POUR BÉNÉFICIER DE LA COUVERTURE OFFERTE PAR LA GARANTIE.**

IMPORTANTE
No Devuelva Este Producto al Establecimiento Compra.

Si tiene problemas con este producto, por favor póngase en contacto con el "Centro
Haier de Atención al Cliente" en el 1-877-337-3639.

**PARA EL SERVICIO DE GARANTÍA SE REQUIERE PRUEBA DE COMPRA, FECHADA, No. DE
MODELO Y No. DE SERIE**

Made in China

Haier®

Haier America
New York, NY 10018