

# Operator's Manual

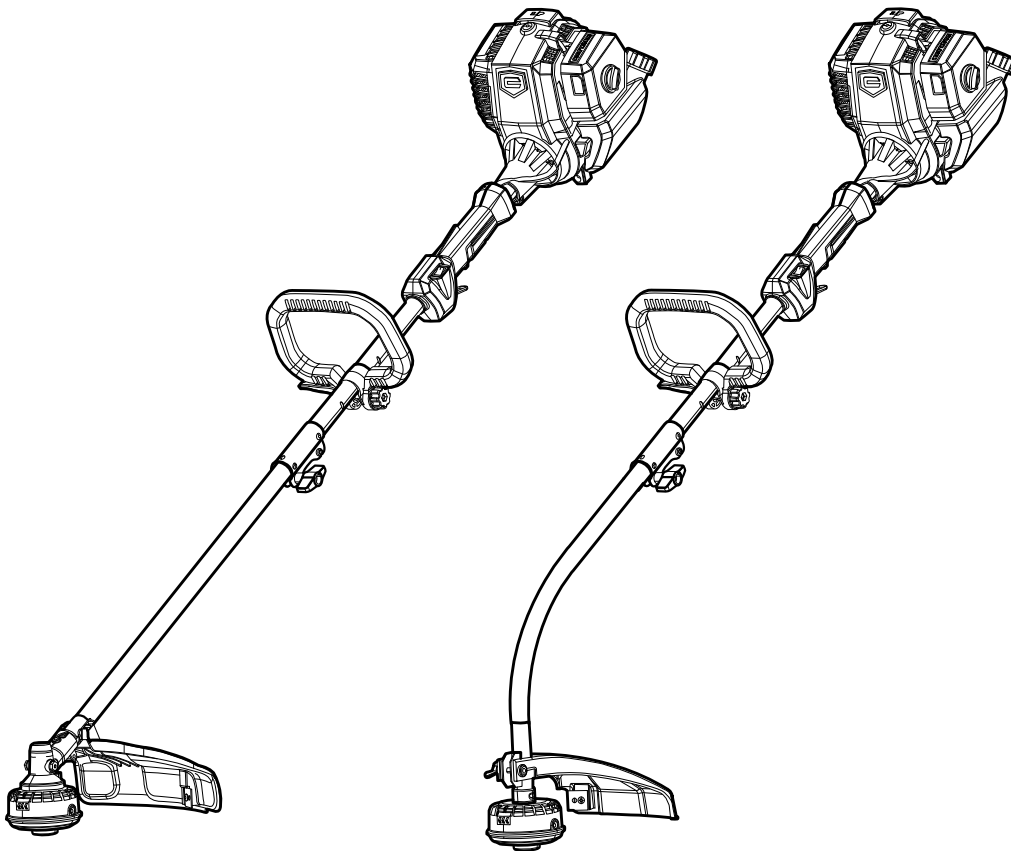
# CRAFTSMAN<sup>®</sup>

4-Cycle 1.62 cu in. (26.5 cc) Engine

## WEEDWACKER<sup>®</sup> GAS TRIMMER

Model No. 154.74094\* & 154.74092\*

\*The last digit of the model number varies.



**CAUTION:** Before using this product, read this manual and follow all its Safety Rules and Operating Instructions.

- SAFETY
- ASSEMBLY
- OPERATION
- MAINTENANCE
- ESPAÑOL

Sears Brands Management Corporation, Hoffman Estates, IL 60179 U.S.A.

Visit our website: [www.craftsman.com](http://www.craftsman.com)


**TABLE OF CONTENTS**


SAFETY.....2  
 KNOW YOUR UNIT .....6  
 SPECIFICATIONS .....7  
 ASSEMBLY.....8  
 OIL AND FUEL .....10  
 STARTING AND STOPPING .....12  
 OPERATION.....14  
 MAINTENANCE .....16  
 CLEANING AND STORAGE .....23  
 TROUBLESHOOTING.....24


All information, illustrations and specifications in this manual are based on the latest product information available at the time of printing. We reserve the right to make changes at any time without notice.


© Sears Brands, LLC

**SAFETY**


 **DANGER:** Signals an **EXTREME** hazard. Failure to obey a safety **DANGER** symbol **WILL** result in serious injury or death to yourself or to others.

 **WARNING:** Crude oil, gasoline, diesel fuel and other petroleum products can expose you to chemicals including toluene and benzene, which are known to the State of California to cause cancer and birth defects or other reproductive harm. These exposures can occur in and around oil fields, refineries, chemical plants, transport and storage operations such as pipelines, marine terminals, tank trucks and other facilities and equipment. For more information go to: [www.P65Warnings.ca.gov/petroleum](http://www.P65Warnings.ca.gov/petroleum).

 **WARNING:** Signals a **SERIOUS** hazard. Failure to obey a safety **WARNING** symbol **CAN** result in serious injury to yourself or to others.

 **CAUTION:** Signals a **MODERATE** hazard. Failure to obey a safety **CAUTION** symbol **MAY** result in property damage or injury to yourself or to others.

**NOTE:** Advises you of information or instructions vital to the operation or maintenance of the equipment.

 **CALIFORNIA PROPOSITION 65**  
**WARNING:** This product contains a chemical known to the state of California to cause cancer, birth defects or other reproductive harm.

**Read the operator’s manual and follow all warnings and safety instructions. Failure to do so can result in serious injury to the operator and/or bystanders.**

**SPARK ARRESTOR NOTE**

**NOTE: For users on U.S. Forest Land and in the states of California, Maine, Oregon and Washington.** All U.S. Forest Land and the state of California (Public Resources Codes 4442 and 4443), Oregon and Washington require, by law that certain internal combustion engines operated on forest brush and/or grass-covered areas be equipped with a spark arrestor, maintained in effective working order, or the engine be constructed, equipped and maintained for the prevention of fire. Check with your state or local authorities for regulations pertaining to these requirements. Failure to follow these requirements could subject you to liability or a fine.

**This unit is factory equipped with a spark arrestor.** If it requires replacement, a new spark arrestor for the muffler is available through your nearest Sears Parts and Repair Service Center. For location and purchase information call 1-888-331-4569.

Read the operator’s manual and follow all warnings and safety instructions. Failure to do so can result in serious injury to the operator and/or bystanders.

# • IMPORTANT SAFETY INSTRUCTIONS •

## READ ALL INSTRUCTIONS BEFORE OPERATING



**WARNING:** When using the unit, all safety instructions must be followed. Please read these instructions before operating the unit in order to ensure the safety of the operator and any bystanders. Please keep these instructions for later use.

- Read the instructions carefully. Be familiar with the controls and proper use of the unit.
- Do not operate this unit when tired, ill or under the influence of alcohol, drugs or medication.
- Never allow children to operate the unit. Teens must be trained, accompanied and supervised by an adult. Never allow adults to operate the unit without proper instruction.
- All guards and safety attachments must be installed properly before operating the unit.
- Inspect the unit before use. Replace damaged parts. Check for fuel leaks. Make sure all fasteners are in place and secure. Replace parts that are cracked, chipped, or damaged in any way. Do not operate the unit with loose or damaged parts.
- Only use the trimming line described in the Specifications section of this manual. Never use metal-reinforced line, wire, chain or rope. These can break off and become dangerous projectiles.
- Do not replace the cutting head with rigid or metal blades. Doing so could result in serious injury.
- Be aware of risk of injury to the head, hands and feet.
- Carefully inspect the area before starting the unit. Remove rocks, broken glass, nails, wire, string and other objects that may be thrown or become entangled with the unit.
- Clear the area of children, bystanders and pets; keep them outside a 50-foot (15 m) radius, at a minimum. Even then, they are still at risk from thrown objects. Encourage bystanders to wear eye protection. If you are approached, stop the unit immediately.
- Squeeze the throttle control and check that it returns automatically to the idle position. Make all adjustments or repairs before using the unit.
- Do not change the engine governor settings or overspeed the engine.
- This unit is intended for occasional, household use only.

## SAFETY WARNINGS FOR GAS UNITS



**WARNING:** Gasoline is highly flammable and its vapors can explode if ignited. Take the following precautions:

- Store fuel only in containers specifically designed and approved for the storage of such materials.
- Always stop the engine and allow it to cool before filling the tank. Never remove the fuel tank cap or add fuel when the engine is hot. Always loosen the fuel tank cap slowly to relieve any pressure in the tank before fueling.
- Always add fuel in a clean, well-ventilated outdoor area where there are no sparks or flames. DO NOT smoke.
- Never operate the unit without the fuel cap securely in place.
- Avoid creating a source of ignition for spilled fuel. Wipe up any spilled fuel from the unit immediately, before starting the unit. Move the unit at least 30 ft. (9.1 m) from the fueling source and site before starting the engine. DO NOT smoke.
- Never start or run the unit inside a closed room or building. Breathing exhaust fumes can kill. Operate this unit only in a wellventilated outdoor area.

## WHILE OPERATING

- Wear safety glasses or goggles that meet current ANSI / ISEA Z87.1 standards and are marked as such. Wear ear/hearing protection when operating this unit. Wear a face mask or dust mask if the operation is dusty.
- Wear heavy long pants, boots, gloves and a long sleeve shirt. Do not wear loose clothing, jewelry, short pants, sandals or go barefoot. Secure hair above shoulder level.
- The cutting head shield must always be in place while operating the unit. Do not operate the unit without both trimming lines extended and the proper line installed. Do not extend the trimming line beyond the length of the shield.
- Adjust the handle to provide the best grip, if applicable.
- Make sure the cutting head is not in contact with anything before starting the unit.
- Use the unit only in daylight or good artificial light.
- Avoid accidental starting. Be in the starting position whenever pulling the starter rope. The operator and unit must be in a stable position while starting. Refer to Starting and Stopping.
- Use the right tool. Only use this tool for its intended purpose.
- Always hold the unit with both hands when operating. Keep a firm grip on both handles or grips.

- Do not overreach. Always keep proper footing and balance. Take extra care when working on stairs, steep slopes or inclines. To avoid serious injury, do not operate the unit while on a ladder or a roof.
- Keep hands, face, and feet away from all moving parts. Do not touch or try to stop moving parts.
- Do not touch the engine, gear housing or muffler. These parts get extremely hot from operation, even after the unit is turned off.
- Do not operate the unit faster than the speed needed to do the job. Do not run the unit at high speed when not in use.
- Do not force the unit. It will do a better, safer job when used at the intended rate.
- Always stop the unit when operation is delayed or when walking from one location to another.
- Before setting the unit down, always make sure the engine is off and all moving parts have stopped.
- If you strike or become entangled with a foreign object, stop the unit immediately and check for damage. Do not operate the unit before repairing damage. Do not operate the unit with loose or damaged parts.
- Turn the engine off and disconnect the spark plug for maintenance or repair.
- Use only original equipment manufacturer (OEM) replacement parts and accessories for this unit. Use of any other parts or accessories could lead to serious injury to the user, or damage to the unit, and void the warranty.
- Keep the unit clean. Carefully remove vegetation and other debris that could block moving parts.
- To reduce fire hazard, replace a faulty muffler and spark arrestor.
- Keep the engine and muffler free from grass, leaves, excessive grease or carbon build up.
- If the unit starts to vibrate abnormally, stop the unit immediately.
- Inspect the unit for the cause of the vibration. Vibration is generally an indicator of trouble.

















## **OTHER SAFETY WARNINGS**

- Maintain the unit with care.
- All service, other than the maintenance procedures described in this manual, should be performed by a Sears or other qualified service dealer.
- Never remove, modify or make inoperative any safety device furnished with the unit.
- Before inspecting, servicing, cleaning, storing, transporting or replacing any parts on the unit:
  1. Stop the unit.
  2. Make sure all moving parts have stopped.
  3. Allow the unit to cool.
  4. Disconnect the spark plug wire.
- Secure the unit while transporting.
- Never store the unit with fuel in the tank, inside a building where fumes may reach an open flame (pilot lights, etc.) or sparks (switches, electrical motors, etc.).
- Store the unit in a dry place, secured or at a height to prevent unauthorized use or damage. Keep the unit out of the reach of children.
- Never douse or squirt the unit with water or any other liquid.
- Keep handles dry and clean (free from debris, oil and grease).
- Clean the unit after each use. Refer to Cleaning and Storage. Do not use solvents or strong detergents.
- Keep these instructions. Refer to them often and use them to instruct other users. If you loan this unit to others, also loan them these instructions.

## **SAVE THESE INSTRUCTIONS**

• SAFETY & INTERNATIONAL SYMBOLS •

This operator's manual describes safety and international symbols and pictographs that may appear on this product. Read the operator's manual for complete safety, assembly, operating and maintenance and repair information.

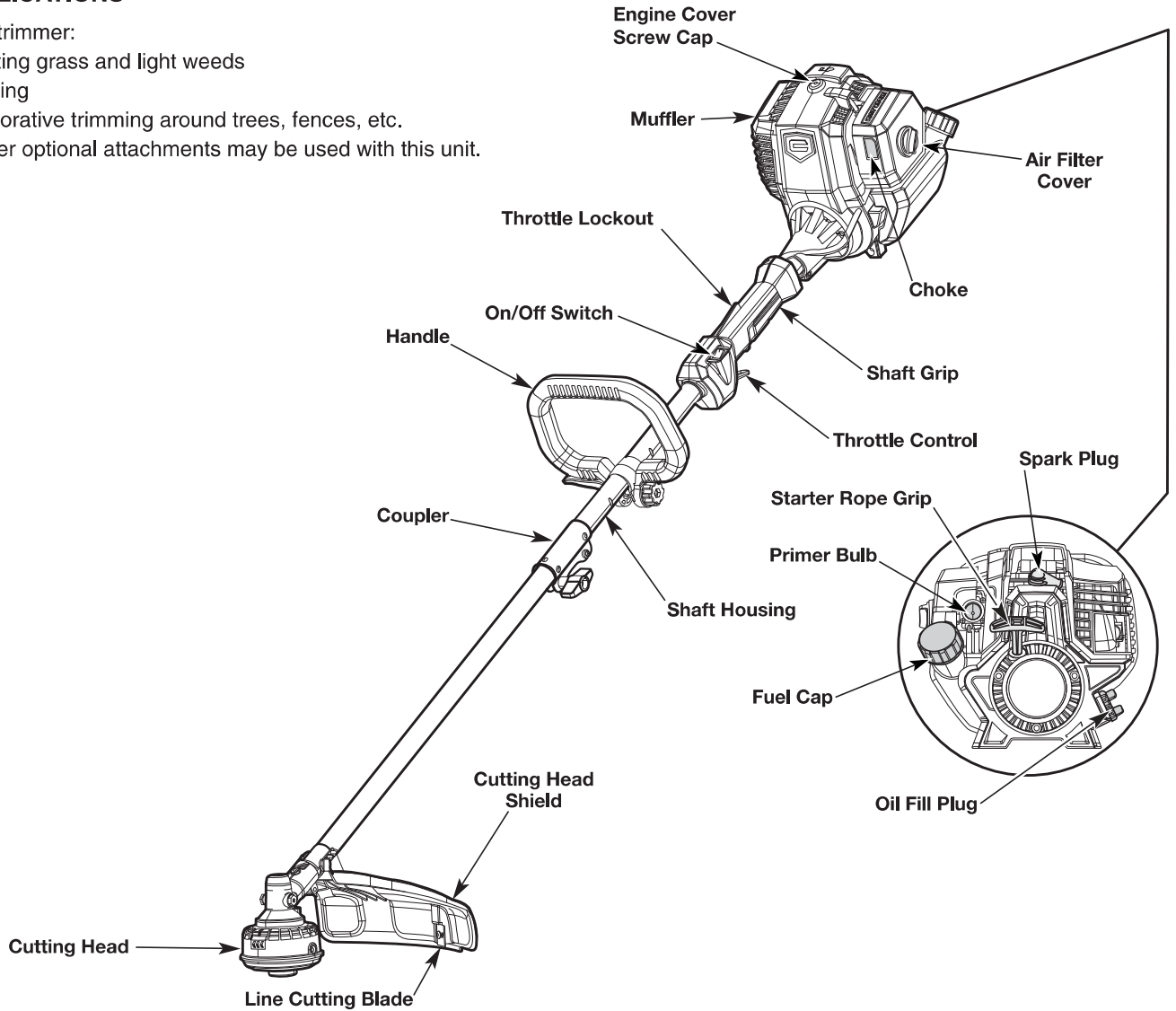
	<p><b>SAFETY ALERT SYMBOL</b> Indicates danger, warning or caution. May be used in conjunction with other symbols or pictographs.</p>		<p><b>ON/OFF STOP CONTROL</b> ON / START / RUN</p>
	<p><b>READ OPERATOR'S MANUAL</b> <b>WARNING:</b> Read the operator's manual(s) and follow all warnings and safety instructions. Failure to do so can result in serious injury to the operator and/or bystanders.</p>		<p><b>ON/OFF STOP CONTROL</b> OFF or STOP</p>
	<p><b>WEAR EYE AND HEARING PROTECTION</b> <b>WARNING:</b> Thrown objects and loud noise can cause severe eye injury and hearing loss. Wear eye protection meeting current ANSI / ISEA Z87.1 standards and ear protection when operating this unit. Use a full face shield when needed.</p>		<p><b>THROWN OBJECTS CAN CAUSE SEVERE INJURY</b> <b>WARNING:</b> Small objects can be propelled at high speed, causing injury.</p>
	<p><b>WEAR FOOT PROTECTION</b> Always wear heavy-duty, non-slip footwear when operating this unit.</p>		<p><b>KEEP BYSTANDERS AWAY</b> <b>WARNING:</b> Keep all bystanders, especially children and pets, at least 50 feet (15 m) from the operating area.</p>
	<p><b>WEAR HAND PROTECTION</b> Always wear heavy-duty, non-slip gloves when handling this unit.</p>		<p><b>HOT SURFACE</b> <b>WARNING:</b> Do not touch a hot muffler or cylinder. You may get burned. These parts get extremely hot from operation. When turned off, they remain hot for a short time.</p>
	<p><b>HANDLE POSITION</b> Make sure the handle is positioned beyond the end of the safety label.</p>		<p><b>SHARP BLADE</b> <b>WARNING:</b> There is a sharp blade on the cutting head shield. To prevent serious injury, do not touch the line cutting blade.</p>
	<p><b>UNLEADED FUEL</b> Always use clean, fresh unleaded fuel.</p>		<p><b>DO NOT USE METAL BLADES</b> <b>WARNING:</b> To prevent serious injury, do not replace the cutting head with rigid or metal blades.</p>
	<p><b>OIL</b> Refer to operator's manual for the proper type of oil.</p>		
	<p><b>DO NOT USE E85 FUEL IN THIS UNIT</b> <b>WARNING:</b> It has been proven that fuel containing greater than 10% ethanol will likely damage this engine and void the warranty.</p>		

# KNOW YOUR UNIT

## APPLICATIONS

As a trimmer:

- Cutting grass and light weeds
  - Edging
  - Decorative trimming around trees, fences, etc.
- Other optional attachments may be used with this unit.



## INCLUDED PARTS

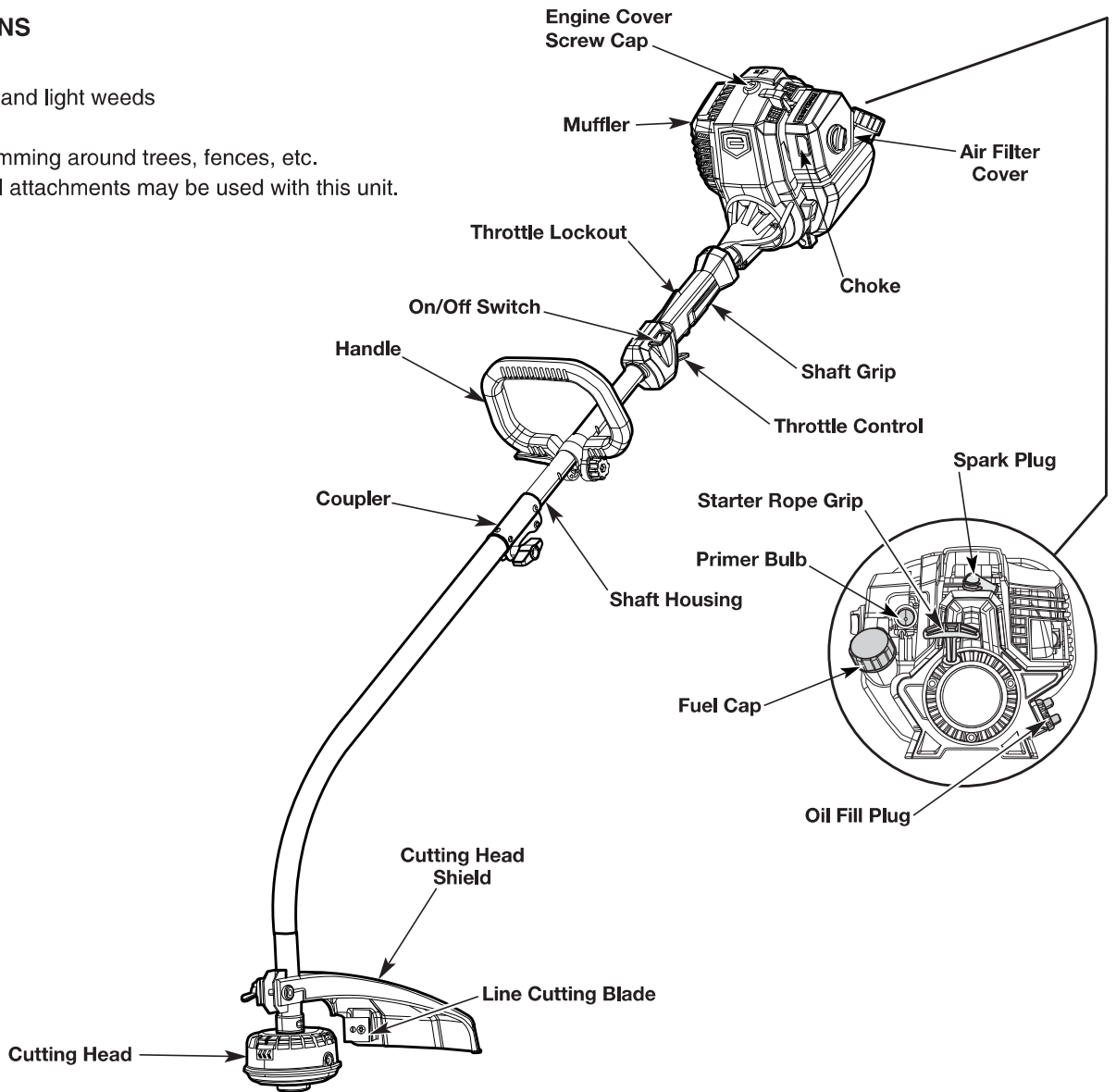
Quantity	Item
1	Fast Start Guide
1	Operator's Manual
1	Handle and mounting hardware
1	Bump head (installed)
1	Fixed line head
4	Black .130 in. line
1	Cutting head shield and mounting screw
1	Torx wrench
1	Spark plug wrench
1	60 ml bottle of oil
1	Warranty statement
1	EPA warranty letter

# KNOW YOUR UNIT

## APPLICATIONS

As a trimmer:

- Cutting grass and light weeds
  - Edging
  - Decorative trimming around trees, fences, etc.
- Other optional attachments may be used with this unit.



## SPECIFICATIONS\*

Engine type .....	Air-Cooled, 4-Cycle
Displacement.....	1.62 cu in. (26.5 cc)
Spark plug gap .....	0.025 in. - 0.31 in. (0.6 - 0.8 mm)
Lubrication .....	SAE 30 Oil
Crankcase lubrication capacity.....	2.01 oz. (60 ml)
Fuel tank capacity.....	10.93 oz. (320 ml)
Approximate unit weight (no fuel) (Model No. 74094*).....	11.5 lbs. (5.2 kg)
Approximate unit weight (no fuel) (Model No. 74092*).....	11.02 lbs. (5.0 kg)
Trimmer mechanism .....	Bump Head or Fixed Line Head
Trimming line .....	Spiral Trimming line
Trimming line diameter .....	0.095 in. (2.4 mm)
Cutting path diameter (Model No. 74094*).....	17.72 in. (450 mm)
Cutting path diameter (Model No. 74092*).....	17 in. (430 mm)

\* All specifications are based on the latest product information available at the time of printing. We reserve the right to make changes at any time without notice.



## ASSEMBLY

### INSTALLING THE CUTTING HEAD SHIELD MODEL NO. 74092

1. Remove the wing nut and square bolt from the cutting head shield.
2. Place the cutting head shield on the mount bracket (Fig. 1).
3. Insert and align the bolt in the recessed hole on the cutting head shield until it protrudes through the hole on the mount bracket.
4. Screw the wing nut onto the bolt until the cutting head shield is firmly in place.

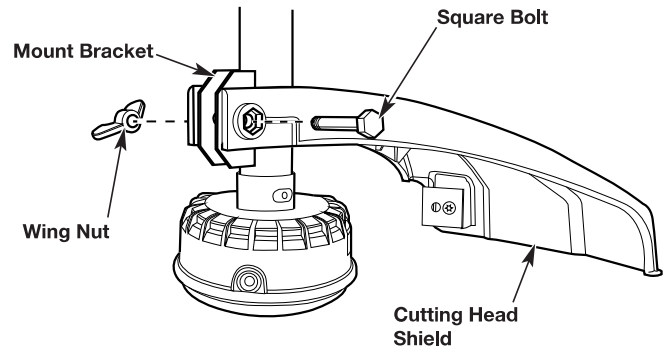


Fig. 1

### INSTALLING THE CUTTING HEAD SHIELD MODEL NO. 74094

1. Remove the screw from the cutting head shield.
2. Insert the tab on the mount bracket into the slot in the cutting head shield (Fig. 2).
3. Rotate the cutting head shield until the hole on the mount bracket aligns with the screw hole on the cutting head shield.
4. Insert the screw and tighten until the cutting head shield is firmly in place.

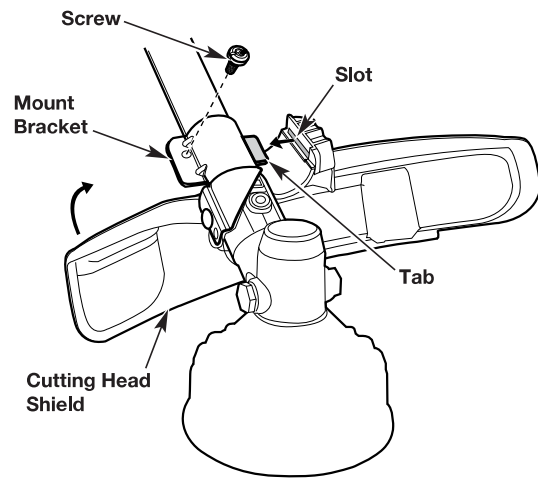


Fig. 2

### ADJUSTING THE HANDLE

If the handle requires adjustment:

1. Flip the lever down and turn the nut counterclockwise to loosen the handle (Fig. 3).
2. Hold the unit in the operating position. Move the handle up or down the shaft housing to a comfortable location. Make sure the handle is positioned beyond the end of the safety label.
3. Tighten the knob clockwise and flip the lever up to secure the handle.

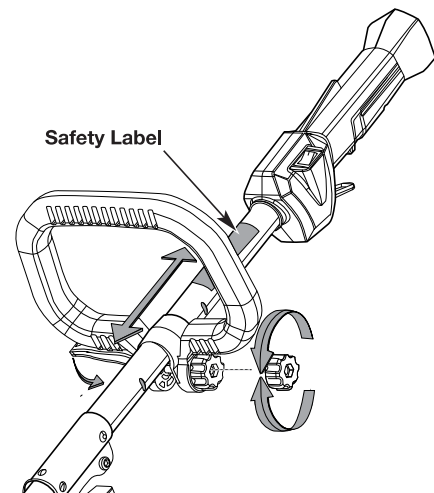


Fig. 3



## INSTALLING AND REMOVING THE ATTACHMENT

In addition to the supplied line trimmer lower shaft, the coupler on the upper shaft enables the use of various other lower shaft attachments, available for separate purchase.



**WARNING:** Before using any attachment, read and understand the manual that came with the attachment. Follow all safety information contained within.



**WARNING:** To avoid serious personal injury and damage to the unit, shut the unit off before removing or installing an attachment.

### Installing the Attachment

1. If present, remove the gray spacer from the coupler opening.
2. Set the unit on a flat, level surface.
3. Turn the knob counterclockwise to loosen the coupler (Fig. 4).
4. Align the release button with the guide recess (Fig. 5).
5. Push the attachment straight into the coupler until the release button snaps firmly into the primary hole (Fig. 6).
6. Turn the knob clockwise to tighten the coupler.



**CAUTION:** Before operating the unit, make sure the release button is fully snapped into the primary hole and the knob is securely tightened.



**CAUTION:** Unless specified otherwise, the release button should be snapped into the primary hole only. Using the wrong hole could lead to personal injury or damage to the unit.

### Removing the Attachment

1. Set the unit on a flat, level surface.
2. Turn the knob counterclockwise to loosen the coupler (Fig. 4).
3. Press and hold the release button (Fig. 5).
4. Pull the attachment straight out of the coupler (Fig. 6).

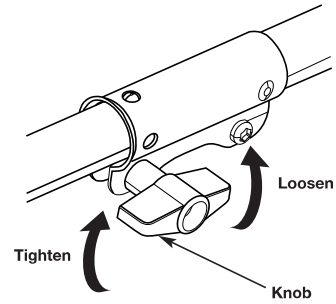


Fig. 4

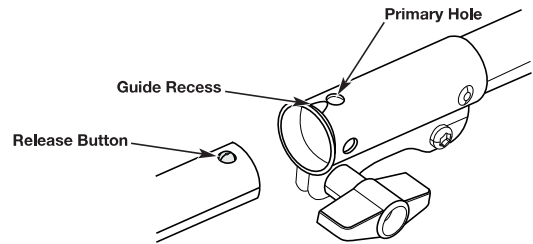


Fig. 5

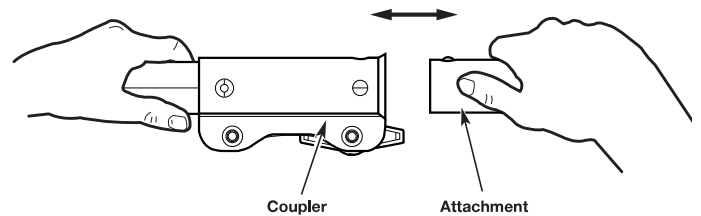


Fig. 6

## USING THE RIGHT OIL

Use a high-quality SAE 30 weight oil. **DO NOT** use dirty oil. Failure to use clean oil of the correct type can cause premature engine wear and failure.

## ADDING OIL: INITIAL USE



**WARNING:** OVERFILLING THE CRANKCASE MAY CAUSE SERIOUS PERSONAL INJURY. Check the oil level before each use. The importance of maintaining the proper oil level cannot be overemphasized. Change the oil according to the Maintenance Schedule.

**NOTE:** This unit was shipped without oil in the crankcase. Oil must be added before starting the unit.

**NOTE:** This unit comes with a 2.03 fluid oz. (60 ml) container of oil.

1. Set the unit on a flat, level surface.
2. Unscrew the oil fill plug (Fig. 7).
3. Pour the entire container of oil into the oil fill hole. **DO NOT** overfill. Refer to Checking the Oil Level.

**NOTE:** Never add oil to the fuel tank. This unit has a four-cycle engine. **DO NOT** mix oil with gasoline.

4. Wipe up any oil that may have spilled.
5. Reinstall the oil fill plug. Make sure the O-ring is in place on the oil fill plug (Fig. 7).

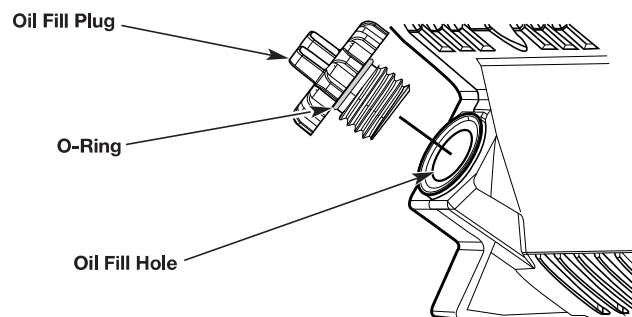


Fig. 7

## FUELING THE UNIT



**WARNING:** Gasoline is extremely flammable. Ignited vapors may explode. Always stop the engine and allow it to cool before filling the fuel tank. Do not smoke while filling the tank. Keep sparks and open flames at a distance from the area.



**WARNING:** Remove the fuel cap slowly to avoid injury from fuel spray. Never operate the unit without the fuel cap securely in place.



**WARNING:** Add fuel in a clean, well-ventilated outdoor area. Wipe up any spilled fuel immediately. Avoid creating a source of ignition for spilled fuel. Do not start the engine until fuel vapors dissipate.

1. Position the unit with the fuel cap facing up.
2. Slowly remove the fuel cap.
3. Place the fuel container spout into the fuel tank fill hole and fill the tank. Stop adding gas when you see that the level reaches the base of the tank spout (Fig. 6a).

**NOTE:** Do not overfill the tank.

4. Wipe up any fuel that may have spilled.
5. Reinstall the fuel cap.
6. Move the unit at least 30 ft. (9.1 m) from the fuel container and the fueling site before starting the engine.

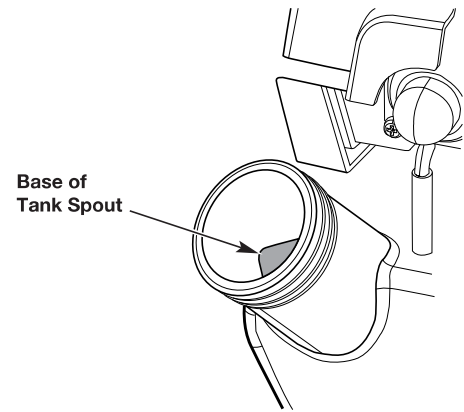


Fig. 6a

### USING THE RIGHT FUEL

The use of old fuel is the most common cause of performance problems. Use only fresh, clean unleaded gasoline.

**NOTE:** This unit has a four-cycle engine. **DO NOT** mix oil with gasoline.

#### Definition of Blended Fuels

Today's fuels are often a blend of gasoline and oxygenates such as ethanol, methanol or MTBE (ether). Alcohol-blended fuel absorbs water. As little as 1% water in the fuel can make fuel and oil separate, forming acids when stored. **ALWAYS** use fresh fuel (less than 30 days old) with less than 10% ethanol.

**NOTE:** Dispose of old fuel according to federal, state and local regulations.

#### Using Blended Fuels

If using a blended fuel:

- Always use fresh unleaded gasoline
- Use the fuel additive STA-BIL® or an equivalent



**WARNING: DO NOT USE E85 FUEL IN THIS UNIT.** It has been proven that fuel containing greater than 10% ethanol will likely damage this engine and void the warranty.

#### Using Fuel Additives

Use a fuel additive, such as STA-BIL Fuel Stabilizer or an equivalent, to inhibit corrosion and minimize gum deposits. Add 0.8 oz. (23 ml) of fuel additive per gallon of fuel, according to the instructions on the container. **NEVER** add fuel additives directly to the unit's fuel tank.

**WARNING:** Operate this unit only in a well-ventilated outdoor area. Carbon monoxide exhaust fumes can be lethal in a confined area.

**WARNING:** Avoid accidentally starting the unit. To avoid serious injury, the operator and the unit must be in a stable position when pulling the starter rope (Fig. 11).

## STARTING INSTRUCTIONS

1. Check the oil level. Refer to Checking the Oil Level.
2. Fill the fuel tank. Refer to Fueling the Unit.

**NOTE:** There is no need to turn the unit on. The On/Off switch is in the On ( I ) position at all times (Fig. 8).

3. Slowly press and release the primer bulb 10 times (Fig. 9).
4. Push the choke button in until it clicks (Fig. 10).
5. Crouch in the starting position (Fig. 11).

**NOTE:**The choke automatically disengages when the throttle lockout and throttle are pressed.

6. Pull the starter rope with a controlled and steady motion 5 times to start the engine (Fig. 11). Allow the engine to warm up for 30 to 60 seconds at idle speed before increasing cutting speed.
7. To increase trimmer cutting speed, press and hold the throttle lockout with one hand, and then squeeze the throttle control with the other. The further you squeeze the throttle control, the more the cutting speed will increase (Fig. 8).

**NOTE:** The lockout will remain engaged as long as the throttle control is being squeezed.

**NOTE:**To prevent the throttle control from being squeezed accidentally, this unit has a throttle lockout. The throttle control cannot be squeezed unless the throttle lockout is also engaged.

**IF...** the engine does not start, begin the starting procedure with step 3.

**IF...** the engine fails to start after 3 attempts: Press and hold the throttle lockout. Squeeze and hold the throttle control. Pull the starter rope with a controlled and steady motion until the unit starts.

**IF...** the engine stops while the throttle control is squeezed, begin the starting procedure with step 3.

**IF THE ENGINE IS HOT...** begin the starting procedure with step 4.

## STOPPING INSTRUCTIONS

1. Release the throttle control and allow the engine to idle.
2. Press and hold the On/Off switch in the Off ( O ) position until the engine comes to a complete stop (Fig. 8).

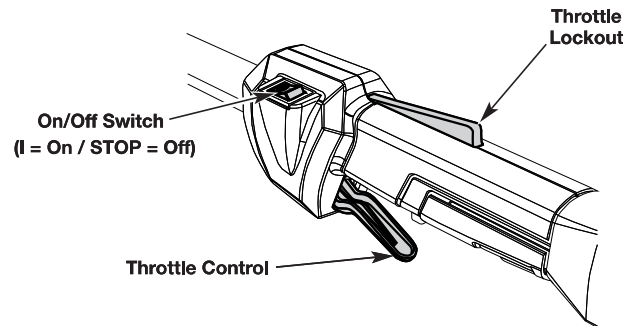


Fig. 8

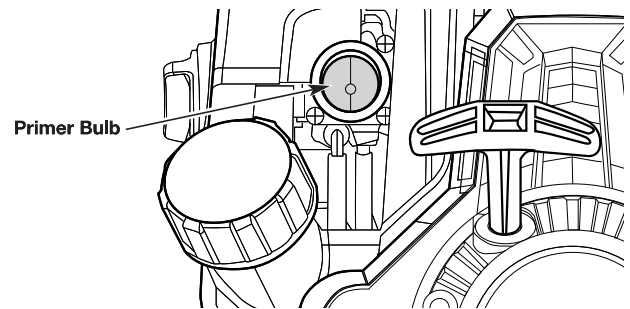


Fig. 9

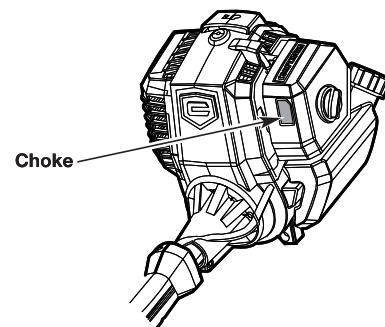


Fig. 10



Fig. 11

## HOLDING THE UNIT

 **WARNING:** Always wear eye, hearing, hand, foot and body protection to reduce the risk of injury when operating this unit.

 **WARNING:** To prevent serious personal injury, avoid arm contact with the engine while operating the unit. The engine may be extremely hot.

- Stand in the operating position (Fig. 12). Stand up straight. Do not bend over.
- Keep feet apart and firmly planted.
- Hold the shaft grip with the right hand. Keep the right arm slightly bent.
- Hold the handle with the left hand. Keep the left arm straight.
- Hold the unit at waist level.
- Position the cutting head a few inches above the ground.
- Do not over-reach; Keep all parts of your body away from the rotating cutting attachment and hot surfaces.



Fig. 12

## MODEL NO. 74092

To direct clippings away from you, whenever possible swing the trimmer in a right to left cutting motion. There is an embossed arrow on the top of the safety guard indicating the preferred right to left direction of trimmer operation.

## MODEL NO. 74094

To direct clippings away from you, whenever possible swing the trimmer in a left to right cutting motion. There is an embossed arrow on the top of the safety guard indicating the preferred left to right direction of trimmer operation.

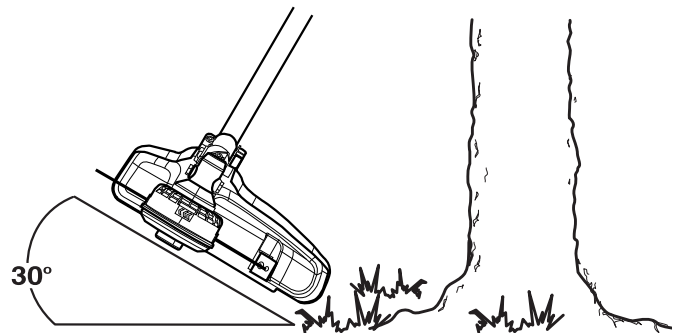


Fig. 13

## DECORATIVE TRIMMING

When trimming around trees, posts, fences, etc., rotate the whole unit so that the cutting head is at a 30° angle to the ground (Fig. 13).

### Maintaining the Trimming Line

Hard surfaces, such as sidewalks, can cause the trimming line to wear down quickly or break.

- Frequently check the trimming line length. Replace the trimming line as needed. Refer to Replacing the Trimming Line.
- **DO NOT** force the unit. Make shallow cuts in as many passes as are necessary to achieve the desired depth. Cut at a slow, even pace.

## ADJUSTING THE TRIMMING LINE

This unit is equipped with a bump head. Trimming line can be released from the cutting head without stopping the engine. To release more line, lightly tap the bump knob on the ground (Fig. 14) while operating the unit at high speed. For best results, tap the bump knob on bare ground or hard soil. Attempting to release line in tall grass may stall the engine.

**NOTE:** Do not rest the cutting head on the ground while the unit is running.

Each time the bump knob is tapped, about 1 inch (25.4 mm) of trimming line is released.

**NOTE:** Always keep the trimming line fully extended. Line release becomes more difficult when the cutting line gets shorter.

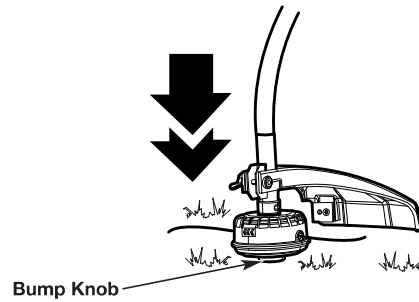


Fig. 14



**CAUTION:** Do not remove or alter the line cutting blade assembly. Excessive line length will make the unit overheat. This may lead to serious personal injury or damage to the unit.

## TIPS FOR BEST RESULTS

- To direct clippings away from the operator, tilt the cutting head slightly down to the right; whenever possible swing the trimmer in a left to right cutting motion. There is an embossed arrow on the top of the safety guard indicating the preferred left to right direction of trimmer operation.
- Do not trim wet grass or weeds.

**NOTE:** Some line breakage will occur from:

- Entanglement with foreign matter
- Normal line fatigue
- Attempting to cut thick vegetation
- Forcing the line into objects such as walls or fence posts





**WARNING:** To avoid serious personal injury, always stop the engine and allow it to cool before cleaning or maintaining the unit. Never perform cleaning or maintenance while the unit is running. Disconnect the spark plug wire to prevent the unit from starting accidentally..



**WARNING:** Wear protective clothing and observe all safety instructions to prevent serious personal injury.



**WARNING:** Never use metal-reinforced line, wire, chain or rope. These can break off and become dangerous projectiles.

Only use the trimming line described in the Specifications section. Other types of trimming line may cause the unit to overheat or fail.

## REPLACING THE SPOOL (BUMP HEAD)

1. Push in the tabs on the side of the spool retainer and pull to remove (Fig. 15).
2. Install the spring, washer, and rewind spool, making sure that the lines are captured in the holding slots on the new spool.

**NOTE:** Make sure that the ends of the lines extend approximately 6 in. (152 mm).

3. Install the new spool so that the line ends align with the eyelets in the cutting head, and thread the line ends through the eyelets.
4. Pull the lines extending from the cutting head so that the strings release from the slots in the spool.
5. Install the spool retainer by pressing the tabs into the slots and pushing down on the spool until the spool retainer clicks into place (Fig. 15).

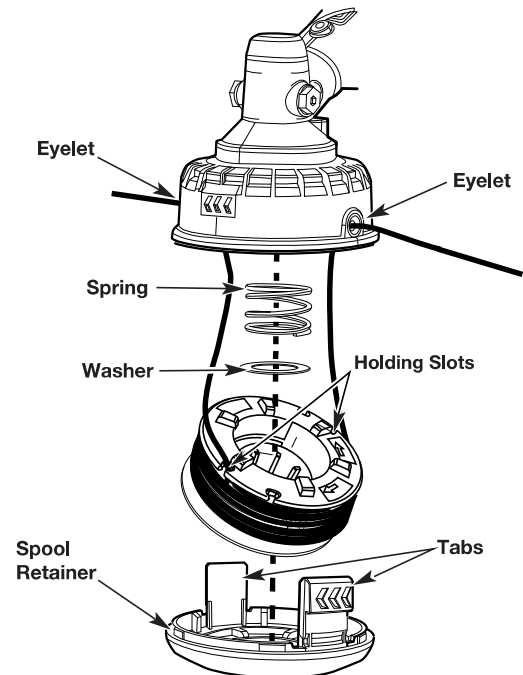


Fig. 15

## REPLACING THE TRIMMING LINE (BUMP HEAD)

1. Remove the spool from the cutting head.
2. Remove any old line from the spool. Use a clean cloth to clean the surface of the cutting head.
3. Cut a 15 ft. (4.5 m) length of 0.095 in. (2.4 mm) diameter trimming line.
4. Bend the line at the midpoint and insert the bend into the holding slot on the spool (Fig. 16).
5. Wrap the line evenly and firmly around the spool (Fig. 17).
6. Position the lines in the spool holding slots (Fig. 15).
7. Install the spool in the cutting head. See Replacing the Spool.

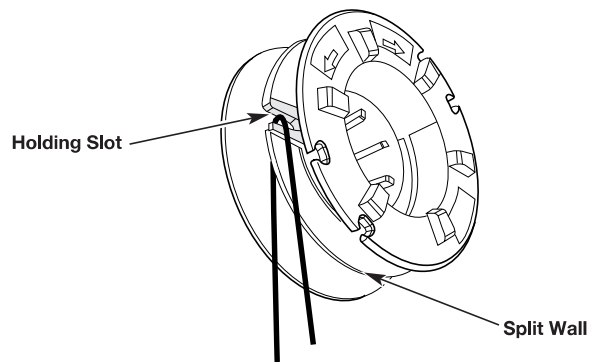


Fig. 16

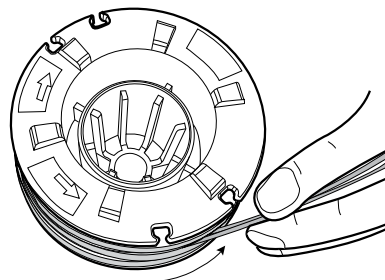


Fig. 17

## REPLACING THE TRIMMING LINE (FIXED LINE)

Cut a 16.25 in. length of 0.095 in. (2.4 mm) diameter line and thread it through the trimmer head (Fig. 18).

**NOTE:** To avoid vibration, make sure that equal lengths of line protrude through each side of the trimmer head.

**NOTE:** Several 16.25 in. lengths of black 0.130 in. (3.3 mm) Craftsman Hassle Free EXTRA QUIET Spiral Line are supplied with this trimmer. This line is designed for cutting larger weeds and light brush.

## CHANGING THE CUTTING HEAD FROM BUMP TO FIXED

### MODEL NO. 74092\*

1. Rotate the cutting head until the locking hole is exposed (Fig. 19).
2. Insert the Torx wrench into the locking hole, through the shaft and out the hole on the other side.
3. Turn the head counterclockwise to unscrew and remove from the arbor.
4. Screw the fixed head clockwise onto the arbor until securely tightened (Fig. 19a). Remove the Torx wrench from the locking hole.
5. To reinstall the bump head, perform the preceding instructions in the opposite order and manner.

## CHANGING THE CUTTING HEAD FROM BUMP TO FIXED

### MODEL NO. 74094\*

1. Rotate the head collar until the outer visible locking hole aligns with the inner locking hole beneath the head collar. (Fig. 20)
2. Insert the Torx wrench into the locking hole until it stops.
3. Turn the head clockwise to unscrew and remove the head from the arbor.
4. Screw the fixed head counterclockwise onto the arbor until securely tightened (Fig. 20a). Remove the Torx wrench from the locking hole.
5. To reinstall the bump head, perform the preceding instructions in the opposite order and manner.

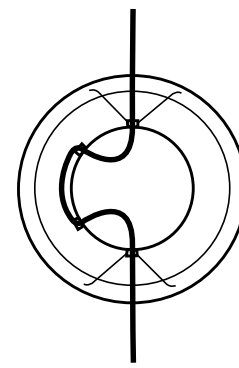


Fig. 18

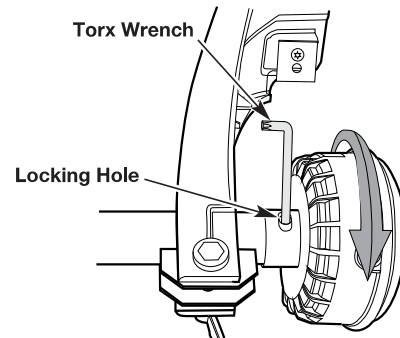


Fig. 19

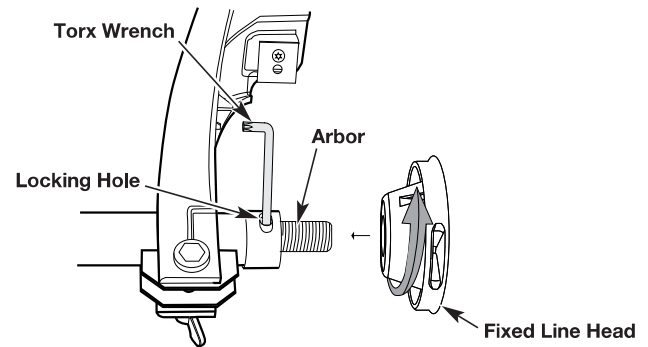


Fig. 19a

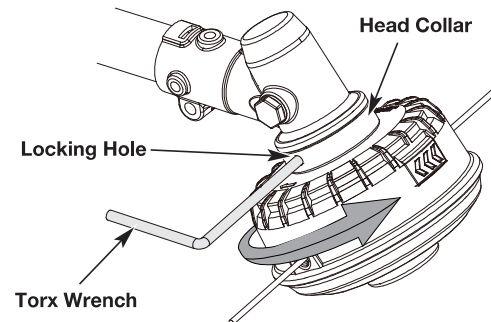


Fig. 20

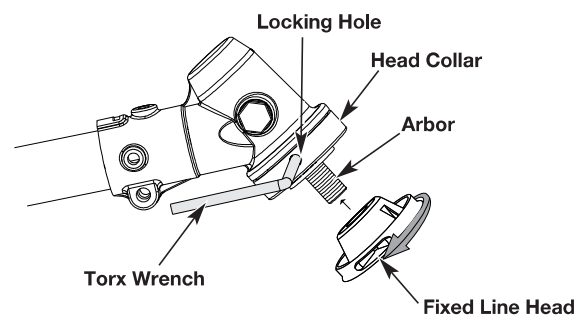


Fig. 20a

## MAINTENANCE SCHEDULE

Perform these required maintenance procedures at the frequency stated in the table. These procedures should also be a part of any seasonal tune-up.

**NOTE:** Some maintenance procedures may require special tools or skills. If you are unsure about these procedures, take the unit to a qualified service dealer.

**NOTE:** Maintenance, replacement, or repair of the emission control devices and system may be performed by a qualified service dealer.

**NOTE:** Please read the California/EPA statement that came with the unit for a complete listing of terms and coverage for the emissions control devices, such as the spark arrestor, muffler, carburetor, etc.

FREQUENCY	MAINTENANCE REQUIRED
Every 10 hours	<ul style="list-style-type: none"><li>• Clean and re-oil the air filter. Refer to Maintaining the Air Filter.</li></ul>
Every 20 hours	<ul style="list-style-type: none"><li>• Change the oil. Refer to Changing the Oil.</li></ul>
After the first 10 hours and at 38 hours	<ul style="list-style-type: none"><li>• Have the rocker arm clearance checked by a qualified service dealer.</li><li>• Check the spark plug condition and gap. Refer to Maintaining the Spark Plug.</li></ul>

## CHECKING THE OIL LEVEL



**WARNING:** Check the oil level before each use. The importance of maintaining the proper oil level cannot be overemphasized.

### Inspecting the Oil Level

1. Stop the engine and allow it to cool.
2. Set the unit on a flat, level surface, such as a workbench or table. The cutting head shield should hang over the edge so that the engine is level (Fig. 21).

**NOTE:** Failure to keep the engine level may result in a faulty oil level reading.

3. Unscrew the oil fill plug. The oil level should be visible on the first thread of the oil reservoir (Fig. 22). If the oil level is too low, add oil. Refer to Adding Oil.

### Adding Oil

1. Clean the area around the oil fill plug (Fig. 22) to prevent debris from entering the oil fill hole.
2. Unscrew the oil fill plug.
3. Add oil to the oil fill hole until the oil level is visible on the first thread of the oil reservoir (Fig. 22).



**WARNING:** DO NOT overfill the oil level. Overfilling will result in too much oil in the engine crankcase, and may cause smoke or fumes that can injure the user.

- If the oil level is too high, tip the unit and drain the excess oil into an appropriate container.
4. Wipe up any oil that may have spilled.
  5. Make sure the O-ring is in place on the oil fill plug (Fig. 23).
  6. Reinstall the oil fill plug.

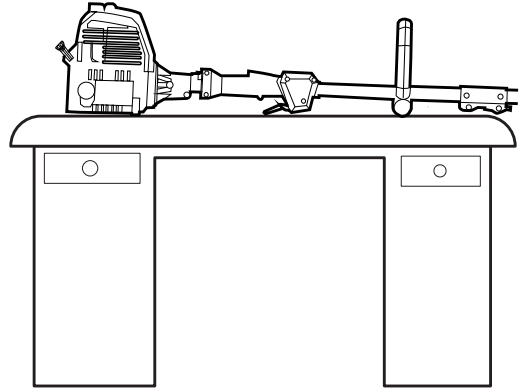


Fig. 21

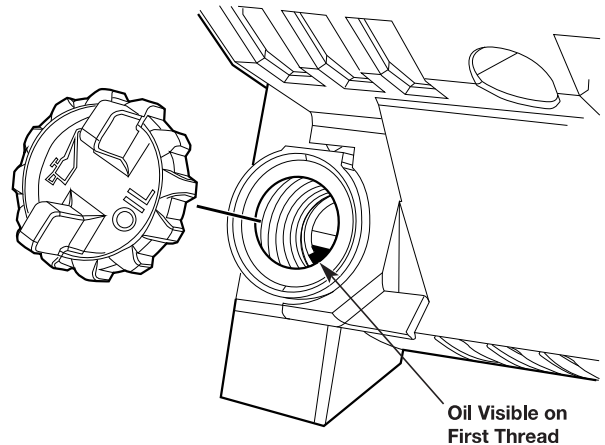


Fig. 22

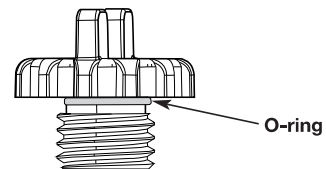


Fig. 23

## CHANGING THE OIL

Change the oil while the engine is still warm. The oil will flow freely and carry away more impurities.

1. Clean the area around the oil fill plug (Fig. 22) to prevent debris from entering the oil fill hole.
2. Unscrew the oil fill plug.
3. Tip the unit vertically to pour the oil out of the oil fill hole and into a container (Fig. 24). Allow ample time for complete drainage.

**NOTE:** Dispose of the old oil according to federal, state and local regulations.

4. Wipe up any oil that may have spilled.
5. Pour 2.03 fl.oz. (60 ml) of SAE 30 oil into the oil fill hole.

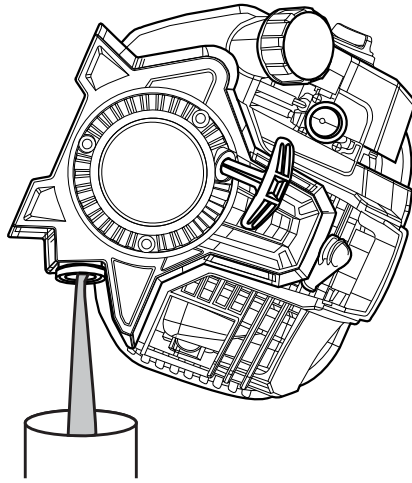


Fig. 24



**WARNING:** DO NOT overfill the oil level. Overfilling will result in too much oil in the engine crankcase, and may cause smoke or fumes that can injure the user.

6. Wipe up any oil that may have spilled.
7. Make sure the O-ring is in place on the oil fill plug (Fig. 23).
8. Reinstall the oil fill plug.

## MAINTAINING THE AIR FILTER

Failure to maintain the air filter can result in poor performance or can cause permanent damage to the engine. Engine failure due to improper air filter maintenance is not covered by the product warranty.

### Cleaning the Air Filter

1. Unscrew the cover screw completely. Remove the air filter cover from the air filter housing (Fig. 25).
2. Remove the air filter from the air filter housing.
3. Wash the air filter in detergent and water. Rinse the air filter thoroughly and allow it to dry.
4. Reinstall the air filter in the air filter housing (Fig. 25).

**NOTE:** Operating the unit without the air filter and air filter cover will VOID the warranty.

5. Insert the tab on the air filter cover into the hole in the air filter housing. Push the air filter cover back onto the air filter housing. Insert the cover screw into the air filter cover. Tighten the cover screw to secure the air filter cover (Fig. 25).

**NOTE:** Do not overtighten as this may strip the screw.

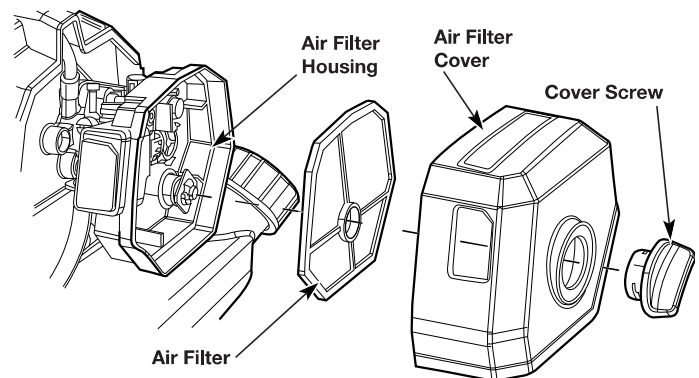


Fig. 25

## ADJUSTING THE IDLE SPEED



**WARNING:** The cutting head may spin during idle speed .. adjustments. Wear protective clothing and observe all safety instructions to prevent serious personal injury.

If the engine will not idle properly:

1. Start the engine. Refer to Starting and Stopping.
2. Release the throttle control and let the engine idle.
  - If the engine stops, increase the idle speed. Use a small Phillips screwdriver to turn the idle speed screw clockwise, 1/8 of a turn at a time, until the engine idles smoothly (Fig. 26).
  - If the cutting head spins when the engine idles, reduce the idle speed. Turn the idle speed screw counterclockwise, 1/8 of a turn at a time, until the cutting head stops moving (Fig. 26).

## MAINTAINING THE SPARK PLUG

1. Stop the engine and allow it to cool. Grasp the spark plug boot firmly and pull it from the spark plug.
2. Clean around the spark plug. Remove the spark plug from the cylinder head with a 5/8-inch socket, turning counterclockwise.

**NOTE:** A 5/8-inch spark plug wrench is supplied with this trimmer.



**CAUTION:** Do not sand blast, scrape or clean spark plug electrodes. Grit in the engine could damage the cylinder.

3. Inspect the spark plug. If the spark plug is cracked, fouled or dirty, replace it with replacement part #AM5RC or an equivalent spark plug.
4. Use a feeler gauge to set the air gap at 0.6 mm - 0.8 mm (0.025 in. - 0.31 in.) (Fig. 27).
5. Install the spark plug in the cylinder head. Tighten the spark plug with a 5/8-inch socket, turning it clockwise until snug.

**NOTE:** If using a torque wrench, torque to 18 N•m (159 in.•lb.). Do not over tighten.

6. Reattach the spark plug boot.

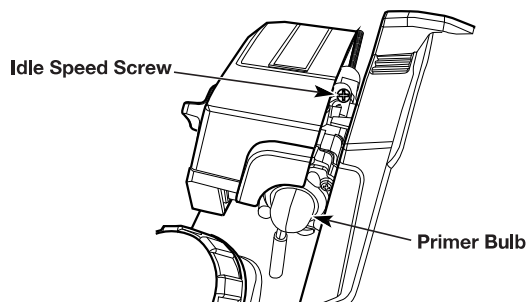


Fig. 26

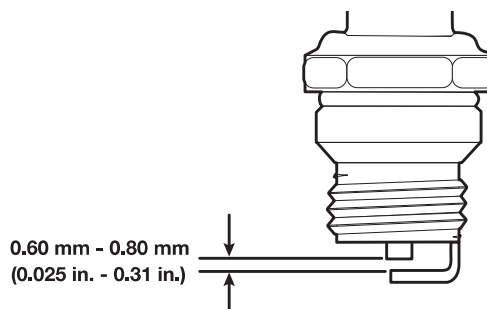


Fig. 27



### CLEANING



**WARNING:** To avoid serious personal injury, always stop the engine and allow it to cool before cleaning or maintaining the unit.

Use a small brush to clean the outside of the unit. Do not use strong detergents. Household cleaners that contain aromatic oils such as pine and lemon, and solvents such as kerosene, can damage plastic. Wipe off any moisture with a soft cloth.

### STORAGE

- Never store a fueled unit where fumes may reach an open flame or spark.
- Allow the engine to cool before storing.
- Lock up the unit to prevent unauthorized use or damage.
- Store the unit in a dry, well-ventilated area.
- Store the unit out of the reach of children.

#### Short-term Storage (1-2 weeks)

Store the unit in a horizontal position. If not possible, store the unit vertically with the engine at the top.

#### Long-term Storage

1. Remove the fuel cap, tip the unit and drain the fuel into an approved container. Reinstall the fuel cap.
2. Start the engine and allow it to run until it stalls. This ensures that all fuel has been drained from the carburetor.
3. Allow the engine to cool. Remove the spark plug and put 5 drops of any high quality motor oil into the cylinder. Pull the starter rope slowly to distribute the oil. Reinstall the spark plug.
4. Thoroughly clean the unit and inspect it for any loose or damaged parts. Repair or replace damaged parts and tighten loose screws, nuts or bolts.
5. Store the unit in a horizontal position. If horizontal storage is not possible, store unit vertically with engine at top.

#### Preparing the Unit for Use after Long-term Storage

1. Remove the spark plug. Tip the unit and drain all of the oil from the cylinder into an approved container. Reinstall the spark plug.
2. Change the oil. Refer to Changing the Oil.

**NOTE:** Do not use fuel that has been stored for more than 30 days.

Dispose of old fuel and oil according to federal, state and local regulations.

## TROUBLESHOOTING

PROBLEM	SOLUTION
<b>THE ENGINE WILL NOT START</b>	
The fuel tank is empty	Fill the fuel tank with fresh fuel
The primer bulb was not pressed enough	Press the primer bulb 10 times
The fuel is old (over 30 days)	Drain the fuel tank and add fresh fuel
The spark plug is fouled	Replace the spark plug
<b>THE ENGINE WILL NOT IDLE</b>	
The air filter is dirty	Clean or replace the air filter
The fuel is old (over 30 days)	Drain the fuel tank and add fresh fuel
<b>THE ENGINE WILL NOT ACCELERATE</b>	
The fuel is old (over 30 days)	Drain the fuel tank and add fresh fuel
The cutting head is bound with grass	Stop the engine and clean the cutting head
The air filter is dirty	Clean or replace the air filter
<b>THE ENGINE LACKS POWER OR STALLS</b>	
The fuel is old (over 30 days)	Drain the fuel tank and add fresh fuel
The air filter is dirty	Clean or replace the air filter
The spark plug is fouled	Replace the spark plug

**If further assistance is required, take the unit to a qualified service dealer.**

# Manual del operador

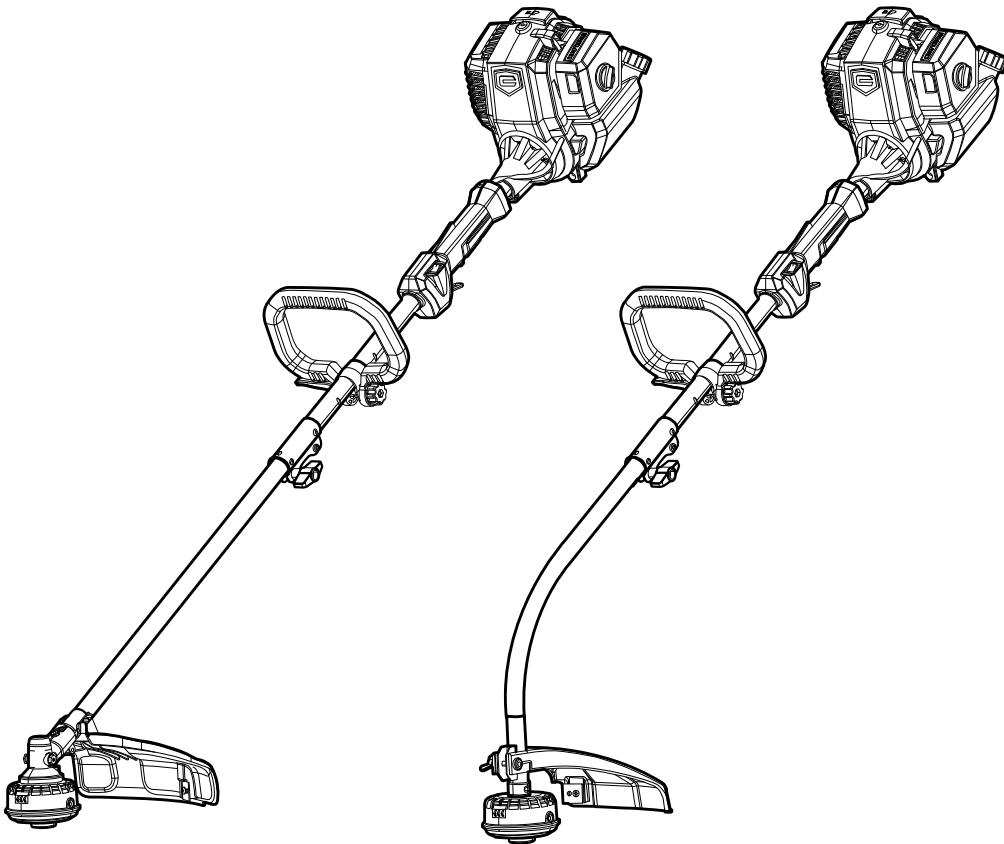
# CRAFTSMAN®

**Motor de 4 ciclos de 26.5 cc (1.62 in cúb.) de**

**RECORTADOR A GASOLINA WEEDWACKER®**

Números de modelos: 154.74094\* y 154.74092\*

\*El último dígito del número de modelo varía.



**PRECAUCIÓN:** Antes de usar el producto, lea el manual y siga todas las instrucciones de seguridad y de funcionamiento.

- SEGURIDAD
- ARMADO
- FUNCIONAMIENTO
- MANTENIMIENTO

**Sears Brands Management Corporation, Hoffman Estates, IL 60179 Estados Unidos.**

Visite nuestra página web: [www.craftsman.com](http://www.craftsman.com)

## ÍNDICE

SEGURIDAD .....	2
CONOZCA EL EQUIPO .....	6
DEL EQUIPO.....	7
MONTAJE .....	8
ACEITE Y COMBUSTIBLE .....	10
PUESTA EN MARCHA Y DETENCIÓN .....	12
FUNCIONAMIENTO.....	14
MANTENIMIENTO .....	16
LIMPIEZA Y ALMACENAMIENTO.....	23
SOLUCIÓN DE PROBLEMAS .....	24

Toda la información, las ilustraciones y las especificaciones que contiene este manual hacen referencia a la información más reciente del producto que está disponible al momento de la impresión. Nos reservamos el derecho de hacer cambios en cualquier momento y sin aviso.

© Sears Brands, LLC

## SEGURIDAD



**PELIGRO:** Indica un riesgo EXTREMO. El no respetar el símbolo de **PELIGRO OCASIONARÁ** lesiones graves o la muerte suya o de terceros.



**ADVERTENCIA:** El petróleo, la gasolina, el combustible diesel y demás productos del petróleo pueden exponerlo a químicos como el tolueno y el benceno, que, en el estado de California, se sabe que provocan cáncer y defectos de nacimiento u otros daños reproductivos. Dicha exposición puede suceder en campos petroleros, refinerías, plantas químicas, operaciones de transporte y almacenamiento como tuberías, terminales marinas, camiones cisterna y demás centros o equipos y sus inmediaciones. Para recibir más información visite:  
[www.P65Warnings.ca.gov/petroleum](http://www.P65Warnings.ca.gov/petroleum).



**ADVERTENCIA:** Indica un peligro GRAVE. El no respetar el símbolo de **ADVERTENCIA PUEDE OCASIONAR** lesiones graves para usted o para terceros.



**PRECAUCIÓN:** Indica un peligro MODERADO. El no respetar al símbolo de **PRECAUCIÓN PUEDE PRODUCIR** daños materiales o lesiones sobre usted o terceros.

**NOTA:** Proporciona información o instrucciones que son vitales para el funcionamiento o el mantenimiento del equipo.



**PROPUESTA 65 DE CALIFORNIA**  
**ADVERTENCIA:** Este producto contiene un elemento químico que en el estado de California se considera que provoca cáncer, defectos de nacimiento u otros daños reproductivos.

**Lea el manual del operador y siga todas las advertencias e instrucciones de seguridad. El incumplimiento puede causar lesiones graves al operador o a las personas que lo rodeen.**

### NOTA SOBRE EL SUPRESOR DE CHISPAS


**NOTA: Para usuarios en el área forestal de Estados Unidos y en los estados de California, Maine, Oregon y Washington.** Según dictamina la ley, en todas las zonas forestales de los Estados Unidos y en el estado de California (Recursos públicos, códigos 4442 y 4443), Oregon y Washington, ciertos motores de combustión interna que se usan en zonas forestales de bosque y matorral y las áreas cubiertas de pastos deben estar equipados con un supresor de chispas, se les practique un correcto mantenimiento, o bien que el motor sea armado, equipado y mantenido para prevenir incendios. Verifique con las autoridades locales o estatales las normas con respecto a dichos requisitos. El incumplimiento de los requisitos puede hacerlo pasible de responsabilidad o del pago de una multa.

**Este equipo está provisto, desde fábrica, con un supresor de chispas.** Si es necesario cambiar el silenciador, Tiene disponible un supresor de chispas para el silenciador a través del centro de servicio de reparaciones y repuestos de Sears más cercano. Para obtener información de compra y de ubicación, llame al 1-888-331-4569.

Lea el manual del operador y siga todas las advertencias e instrucciones de seguridad. El incumplimiento puede causar lesiones graves al operador o a las personas que lo rodeen.


# • INSTRUCCIONES IMPORTANTES SOBRE SEGURIDAD •

## LEA TODAS LAS INSTRUCCIONES ANTES DE PONERLO EN FUNCIONAMIENTO

	<b>ADVERTENCIA:</b> Al usar el equipo se debe atender a todas las instrucciones de seguridad. Lea dichas instrucciones antes de poner en funcionamiento el equipo a fin de garantizar la seguridad del operador y de quienes lo rodean. Conserve estas instrucciones para usarlas nuevamente.
---	---

- Lea atentamente las instrucciones. Conozca los controles y el uso correcto del equipo.
- No ponga en funcionamiento el equipo cuando esté cansado, enfermo o bajo los efectos del alcohol, las drogas o una medicación.
- Jamás permita que los niños pongan en funcionamiento el equipo. Los adolescentes deben recibir instrucciones, estar acompañados y supervisados por un adulto. No permita que los adultos pongan en funcionamiento el equipo sin la debida instrucción.
- Todos los accesorios de seguridad y protección deben colocarse correctamente antes de poner en funcionamiento el equipo.
- Inspeccione el equipo antes de utilizarlo. Cambie las piezas dañadas. Compruebe que no haya filtraciones de combustible. Asegúrese de que todos los sujetadores estén en su lugar y bien firmes. Cambie las piezas que estén partidas, las falte una parte o estén dañadas de algún modo. No ponga en funcionamiento el equipo si tiene piezas flojas o dañadas.
- Use solamente la línea de corte que se describe en la sección Especificaciones de este manual. No use cuerdas con refuerzo metálico, cables, cadenas ni sogas. Pueden partirse y convertirse en peligrosos proyectiles.
- No reemplace el cabezal de corte con hojas metálicas o rígidas. Si lo hace, pueden producirse lesiones graves.
- Conozca que existe un riesgo de lesiones en la cabeza, las manos y los pies.
- Revise cuidadosamente el área antes de poner en funcionamiento el equipo. Retire rocas, vidrio partido, clavos, alambre, cordel y otros objetos que puedan haberse deshechado en la zona o que puedan enredarse en el equipo.
- Retire de la zona a los niños, transeúntes y mascotas; manténgalos, como mínimo, a un radio de 15 m (50 pies) de distancia. Aún así, están en riesgo de ser golpeados por objetos despedidos. Pida a quienes lo rodean que usen protección para los ojos. Si es abordado, detenga el equipo inmediatamente.
- Presione el control de aceleración y compruebe que regrese automáticamente a la posición de marcha lenta. Haga todos los ajustes o reparaciones antes de poner en uso el equipo.
- No cambie la configuración del activador del motor ni lo haga sobrepasar su velocidad.
- El equipo es para uso ocasional y hogareño exclusivamente.

## ADVERTENCIAS DE SEGURIDAD PARA EQUIPOS A GASOLINA

	<b>ADVERTENCIA:</b> La gasolina es muy inflamable y sus vapores pueden explotar frente a una ignición. Tome las siguientes precauciones:
---	--

- Guarde el combustible únicamente en contenedores que estén diseñados y aprobados para guardar específicamente dichos materiales.
- Detenga el motor y déjelo enfriarse antes de llenar el tanque. Nunca retire la tapa del tanque de combustible ni agregue combustible mientras el motor está caliente. Afloje lentamente la tapa del tanque para liberar toda presión interna, antes de reabastecer.
- Agregue el combustible en un espacio al aire libre, limpio y bien ventilado, donde no haya chispas ni llamas. NO FUME.
- No ponga el equipo en funcionamiento sin que la tapa del tanque esté correctamente colocada.
- Evite crear fuentes de ignición cerca del combustible derramado. Antes de encender el equipo, limpie inmediatamente todo el combustible que se haya derramado. Antes de poner en marcha el motor, aleje el equipo al menos 9,1 m (30 pies) del lugar y fuente de carga de combustible. NO FUME.
- No ponga en marcha el equipo dentro de una habitación o un edificio cerrados. Inhalar el humo producido por la combustión puede ser mortal. Ponga en funcionamiento el equipo solamente en un área al aire libre y bien ventilada.

## DURANTE EL FUNCIONAMIENTO

- Use anteojos o antiparras de seguridad que cumplan con las normas ANSI / ISEA Z87.1 y estén identificadas como tales. Use protección auditiva o para los oídos al poner en funcionamiento este equipo. Use mascarilla si se espera que durante el funcionamiento se produzca mucho polvo.
- Use pantalones largos y gruesos, botas, guantes y camisa de manga larga. No use prendas sueltas, joyas, pantalones cortos, sandalias ni esté descalzo. Sujete el cabello por encima de los hombros.
- La carcasa protectora del cabezal de corte debe estar siempre colocada mientras el equipo está funcionando. No ponga en funcionamiento el equipo sin recortar los cordeles extendidos y sin que estén instalados los cordeles correctos. No extienda el cordel de corte más allá del largo de la carcasa protectora.
- Ajuste la manija hasta lograr el mejor agarre, si corresponde.
- Antes de poner en marcha el equipo, compruebe que el cabezal de corte no esté en contacto con nada.
- Use el equipo solamente con luz del día o con buena iluminación artificial.
- Evite poner el equipo en marcha accidentalmente. Siempre que tire de la cuerda de arranque, ésta debe estar en la posición de arranque. Al momento del

arranque, tanto el operador como el equipo deben estar en posición estable. Consulte la sección puesta en marcha y detención.

- Use la herramienta adecuada. Use esta herramienta solamente para el propósito para el que fue creada.
- Sostenga siempre el equipo con ambas manos cuando esté en funcionamiento. Sujételo firmemente de ambas manijas o agarres.
- No se estire. Mantenga siempre un buen apoyo y equilibrio. Tenga más cuidado cuando trabaje en escaleras, pendientes pronunciadas o inclinaciones. Para evitar lesiones graves, no ponga en funcionamiento el equipo mientras está sobre una escalera o un techo.
- Aleje las manos, la cara y los pies de todas las piezas móviles. No toque ni intente detener las piezas móviles.
- No toque el motor, el revestimiento del mecanismo ni el silenciador. Son partes que aumentan mucho de temperatura durante el funcionamiento, incluso después de haber apagado el equipo.
- No haga funcionar el equipo a una velocidad mayor de la necesaria para la tarea. No haga funcionar el equipo a alta velocidad si no está en uso.
- No fuerce el equipo. Si lo utiliza a la velocidad indicada, hará un mejor trabajo y será más seguro.
- Detenga siempre el equipo cuando el uso deba suspenderse o cuando se traslade de un lugar a otro.
- Antes de apoyar el equipo, compruebe que el motor esté apagado y que todas las piezas móviles se hayan detenido.
- Si toca o se enreda en un objeto desconocido, detenga inmediatamente el equipo y revise si hubo daños. No haga funcionar el equipo antes de reparar los daños. No ponga en funcionamiento el equipo si tiene piezas flojas o dañadas.
- Apague el motor y desconecte la bujía para hacer cualquier mantenimiento o reparación.
- Use solamente repuestos y accesorios originales (OEM, por sus siglas en inglés). El uso de cualquier otra pieza o accesorio puede producir lesiones graves al usuario; o puede dañar el equipo e invalidar así la garantía.
- Mantenga limpio el equipo. Retire cuidadosamente la vegetación y otros restos que pudieran obstaculizar el funcionamiento de las partes móviles.
- Para reducir el riesgo de incendios, cambie el silenciador y el dispositivo contra chispas defectuosos.
- Mantenga el motor y el silenciador sin césped, hojas, exceso de grasa o acumulación de carbono.
- Si el equipo comienza a vibrar de manera anormal, deténgalo inmediatamente.
- Revise el equipo para detectar la causa de la vibración. Por lo general, la vibración indica que hay un problema.

## **OTRAS ADVERTENCIAS DE SEGURIDAD**

- Haga un mantenimiento minucioso del equipo.
- Todo servicio, excepto los procedimientos de mantenimiento que se describen en este manual, deben llevarse a cabo en Sears o en otro distribuidor de servicio aprobado.
- No retire, modifique ni impida el funcionamiento de ninguno de los dispositivos de seguridad provistos con el equipo.
- Antes de inspeccionar, hacer una reparación, limpiar, guardar, transportar o cambiar cualquier pieza del equipo:
  1. Detenga el equipo.
  2. Compruebe que todas las piezas móviles se hayan detenido.
  3. Deje enfriar el equipo.
  4. Desconecte el cable de la bujía.
- Sujete el equipo mientras lo transporta.
- No guarde el equipo con combustible en el tanque, dentro de una construcción en la que los vapores puedan alcanzar una llama (luces piloto, etc.) o chispas (interruptores, motores eléctricos, etc.)
- Guárdelo en un lugar seco, sujetado o a cierta altura para evitar el uso no autorizado y los daños. Mantenga el equipo fuera del alcance de los niños.
- No moje ni salpique el equipo con agua ni con ningún otro líquido.
- Mantenga las manijas limpias y secas (sin restos, aceite ni grasa).
- Limpie el equipo después de cada uso. Consulte la sección limpieza y guardado. No use solventes ni detergentes concentrados.
- Conserve estas instrucciones. Consúltelas a menudo y úselas para enseñar a otros usuarios. Si le presta el equipo a terceras personas, también déjeles estas instrucciones.

## **CONSERVE LAS INSTRUCCIONES.**



• SÍMBOLOS DE SEGURIDAD E INTERNACIONALES •

En este manual del operador se describen símbolos de seguridad e internacionales y se muestran los pictogramas que pueden aparecer en el producto. Lea el manual del operador para conocer información completa sobre seguridad, armado, funcionamiento, mantenimiento y reparación.

	<p><b>SÍMBOLO DE ALERTA DE SEGURIDAD</b> Indica peligro, advertencia o precaución. Puede usarse en conjunto con otros símbolos o pictogramas.</p>		<p><b>CONTROL DE ENCENDIDO/APAGADO/DETENIDO</b> ENCENDIDO/ INICIO / FUNCIONAMIENTO</p>
	<p><b>LEER EL MANUAL DEL OPERADOR</b> <b>ADVERTENCIA:</b> Lea el manual del operador y atienda a todas las advertencias e instrucciones de seguridad. El incumplimiento puede causar lesiones graves al operador o a las personas que lo rodeen.</p>		<p><b>CONTROL DE ENCENDIDO/APAGADO/DETENIDO</b> APAGADO o DETENIDO</p>
	<p><b>USE PROTECCIÓN OCULAR Y AUDITIVA</b> <b>ADVERTENCIA:</b> los objetos que son despedidos y el ruido fuerte pueden causar una lesión grave en la vista y pérdida de la audición. Cuando haga funcionar el equipo, use protección ocular que cumpla con las normas ANSI / ISEA Z87.1 y protección auditiva. Cuando sea necesario, use una máscara completa sobre el rostro.</p>		<p><b>LOS OBJETOS QUE SALEN DESPEDIDOS PUEDEN PRODUCIR LESIONES GRAVES</b> <b>ADVERTENCIA:</b> Los objetos pequeños pueden salir impulsados a gran velocidad y así producir lesiones.</p>
	<p><b>USE PROTECCIÓN EN LOS PIES</b> Siempre que ponga en funcionamiento el equipo, use calzado de trabajo antideslizante.</p>	<p>Min. 50 ft 15 m</p> 	<p><b>MANTENGA ALEJADAS A LAS PERSONAS QUE ESTÁN A SU ALREDEDOR</b> <b>ADVERTENCIA:</b> Mantenga alejadas a las personas que lo rodean, especialmente a niños y mascotas, al menos a unos 15 m (50 pies) del área donde pondrá en funcionamiento el equipo.</p>
	<p><b>USE PROTECCIÓN EN LAS MANOS</b> Siempre que manipule el equipo, use guantes de trabajo antideslizantes.</p>		<p><b>SUPERFICIE CALIENTE</b> <b>ADVERTENCIA:</b> no toque el silenciador ni el cilindro calientes. Podría sufrir quemaduras. Las piezas aumentan mucho de temperatura a partir del funcionamiento. Una vez apagado el equipo, las piezas permanecen calientes un breve período.</p>
	<p><b>POSICIÓN DE LA MANIJA</b> Asegúrese de que la manija esté ubicada más allá del extremo de la etiqueta de seguridad.</p>		<p><b>HOJA AFILADA</b> <b>ADVERTENCIA:</b> hay una hoja afilada en la carcasa protectora del cabezal de corte. Para evitar lesiones graves, no toque la cuchilla de la línea de corte.</p>
	<p><b>COMBUSTIBLE SIN PLOMO</b> Use siempre combustible sin plomo nuevo y limpio.</p>		<p><b>NO USE HOJAS METÁLICAS</b> <b>ADVERTENCIA:</b> para evitar lesiones graves, No reemplace el cabezal de corte con hojas metálicas o rígidas.</p>
	<p><b>ACEITE</b> Consulte el manual del operador para conocer cuál es el tipo de aceite correcto.</p>		<p><b>NO USE HOJAS METÁLICAS</b> <b>ADVERTENCIA:</b> para evitar lesiones graves, No reemplace el cabezal de corte con hojas metálicas o rígidas.</p>
	<p><b>NO USE COMBUSTIBLE E85 EN ESTE EQUIPO</b> <b>ADVERTENCIA:</b> Se ha demostrado que el combustible que contiene más del 10 % de etanol, probablemente dañe el motor e invalide la garantía.</p>		<p><b>NO USE HOJAS METÁLICAS</b> <b>ADVERTENCIA:</b> para evitar lesiones graves, No reemplace el cabezal de corte con hojas metálicas o rígidas.</p>

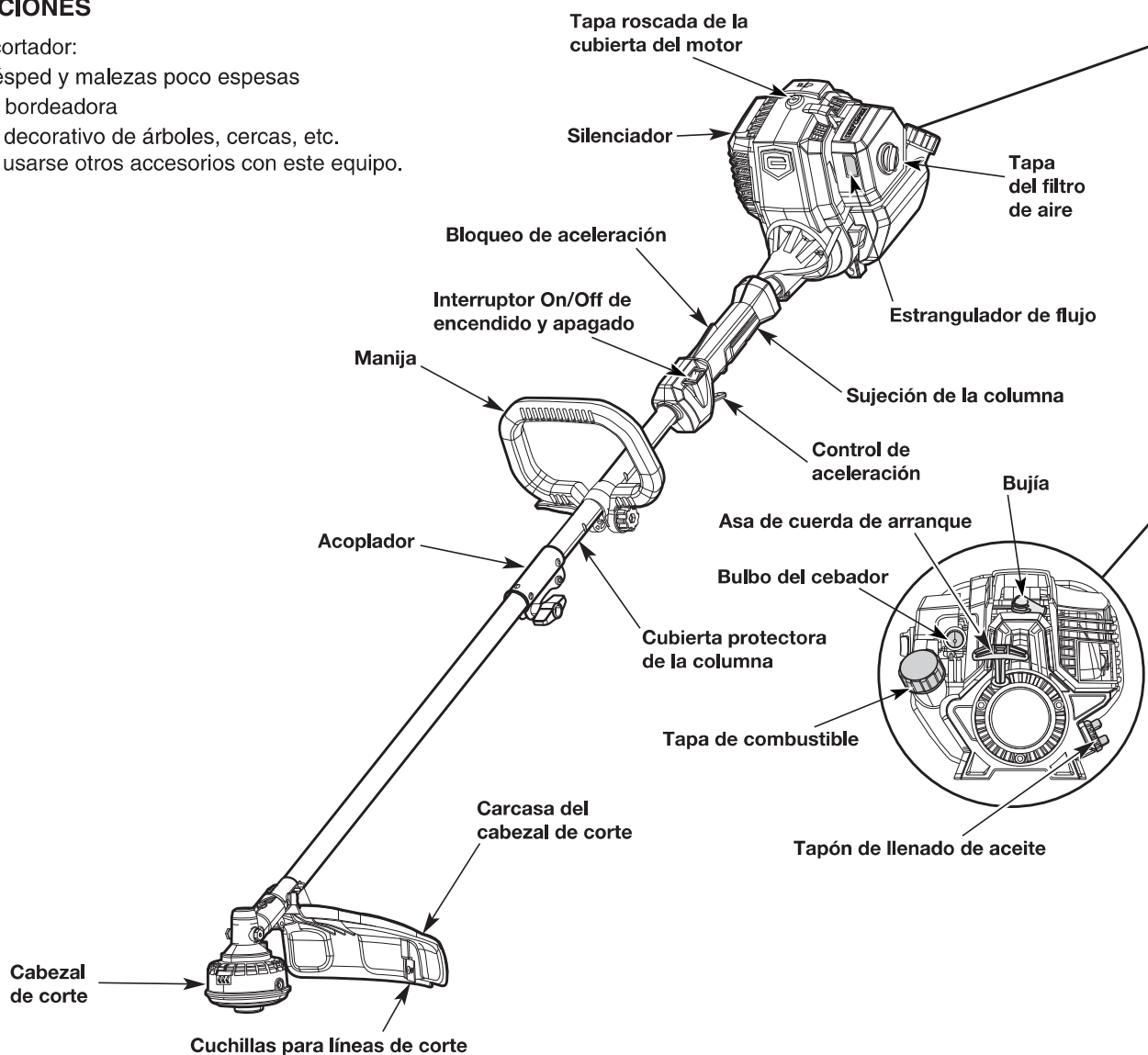


## CONOZCA EL EQUIPO

### APLICACIONES

Como recortador:

- Corta césped y malezas poco espesas
  - Función bordeadora
  - Recorte decorativo de árboles, cercas, etc.
- Pueden usarse otros accesorios con este equipo.



### PIEZAS QUE SE INCLUYEN

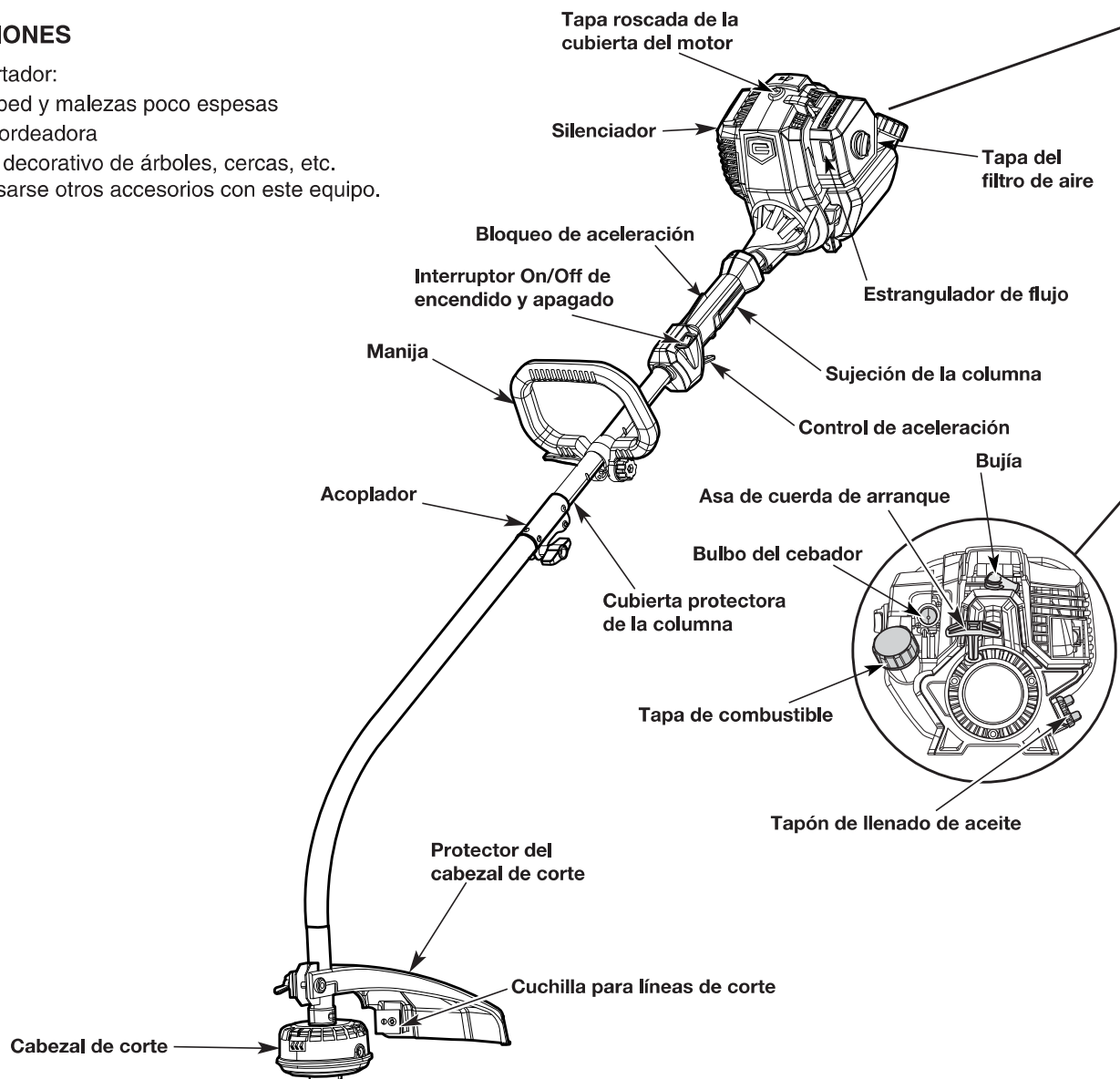
Cantidad	Artículo
1	Guía de inicio rápido
1	Manual del operador
1	Manipulación y montaje de las piezas
1	Bump Head (instalado)
1	Cabezal de línea fija
4	Línea negra de 130 pulgadas
1	Carcasa del cabezal de corte y tornillo de montaje
1	Llave Torx
1	Llave para la bujía
1	Botella de aceite de 60 ml
1	Garantía
1	Carta de garantía de EPA

## CONOZCA EL EQUIPO

### APLICACIONES

Como recortador:

- Corta césped y malezas poco espesas
  - Función bordeadora
  - Bordeado decorativo de árboles, cercas, etc.
- Pueden usarse otros accesorios con este equipo.



## DEL EQUIPO\*

Tipo de motor .....	enfriado por aire, 4 ciclos
Desplazamiento.....	26.5 cc (1.62 in. cúb.)
Brecha de la bujía.....	0.6 - 0.8 mm (0.025 in - 0.31 in)
Lubricación .....	aceite SAE 30
Capacidad de lubricación del cárter .....	60 ml (2.01 oz)
Capacidad del tanque de combustible .....	320 ml (10.93 oz)
Peso aproximado de la unidad (sin combustible) (Modelo n.º 74094*).....	5.2 kg (11.5 lb)
Peso aproximado de la unidad (sin combustible) (Modelo n.º 74092*).....	5.0 kg (11.02 lb)
Mecanismo de recorte .....	Cabezal suplementario o Cabezal de línea fija
Línea de recorte .....	Línea de recorte en espiral
Diámetro de la línea de recorte .....	2.4 mm (0.095 in)
Diámetro de la ruta de corte (Modelo n.º 74094*) .....	450 mm (17.72 in)
Diámetro de la ruta de corte (Modelo n.º 74092*) .....	430 mm (17 in)

\* Todas las especificaciones son con respecto a la información del producto más reciente y disponible al momento de la impresión. Nos reservamos el derecho de hacer cambios en cualquier momento y sin aviso.

## CÓMO INSTALAR LA CARCASA DEL CABEZAL DE CORTE DE NÚMERO DE MODELO 74092

1. Retire el tornillo de mariposa y la tuerca de la carcasa del cabezal de corte.
2. Coloque la carcasa en el soporte de montaje (Fig. 1).
3. Inserte y alinee el tornillo en el orificio rebajado que se encuentra en la carcasa, hasta que salga por el orificio del soporte de montaje.
4. Atornille el tornillo de orejas sobre el perno hasta que la carcasa esté firmemente ajustada en su sitio.

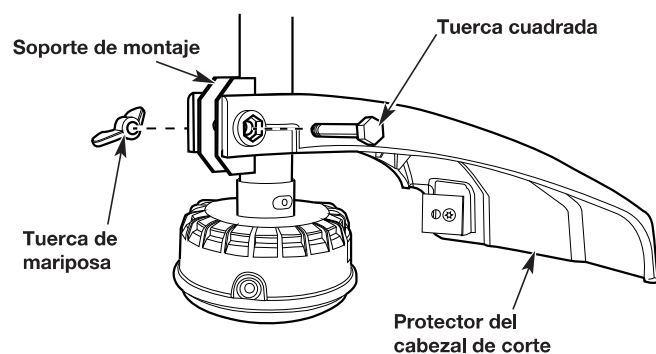


Fig. 1

## CÓMO INSTALAR LA CARCASA DEL CABEZAL DE CORTE DE NÚMERO DE MODELO 74094

1. Retire el tornillo de la carcasa del cabezal de corte.
2. Coloque la pestaña sobre el soporte de montaje y en la ranura de la carcasa (Fig. 2).
3. Gire la carcasa hasta que el orificio del soporte de montaje quede alineado con el orificio para tornillos que tiene la carcasa.
4. Pase el tornillo y ajústelo hasta que la carcasa esté firmemente ajustada en su sitio.

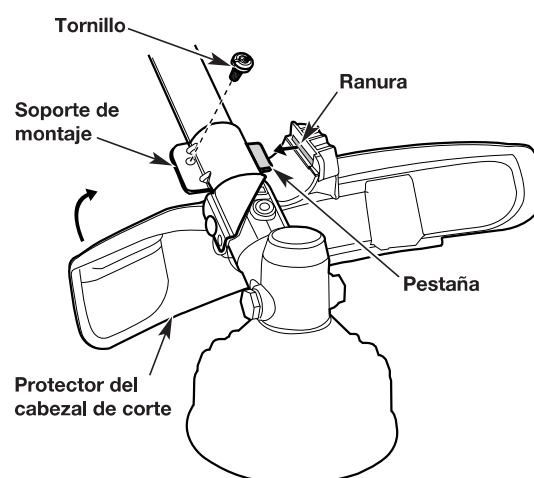


Fig. 2

## CÓMO AJUSTAR LA MANIJA

Si la manija necesita ajuste:

1. Para aflojarla, mueva la palanca hacia abajo y gire el tornillo en sentido contrario a las agujas del reloj (Fig. 3).
2. Sostenga el equipo en la posición de funcionamiento. Mueva la manija hacia arriba o abajo en su eje, hasta alcanzar una posición cómoda. Asegúrese de que la manija esté ubicada más allá del extremo de la etiqueta de seguridad.
3. Ajuste el tornillo en sentido de las agujas del reloj y levante la palanca para ajustar bien la manija.

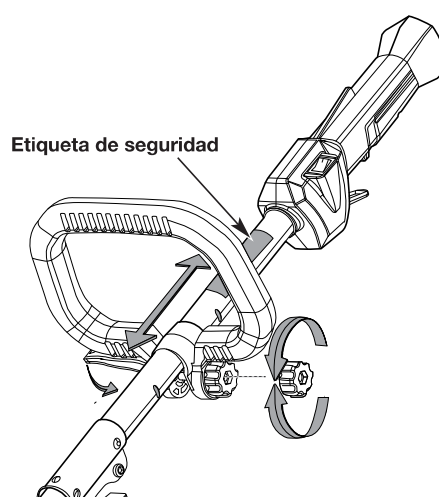


Fig. 3

## CÓMO INSTALAR Y QUITAR LOS ACCESORIOS

Además del eje inferior del recorte de línea suministrado, el acople del eje superior permite usar varios otros accesorios de del eje inferior que se encuentran disponibles para su compra por separado.



**ADVERTENCIA:** Antes de usar cualquier accesorio, lea y comprenda bien el manual que trae dicho accesorio. Atienda a toda la información de seguridad que contenga el manual.



**ADVERTENCIA:** Para evitar lesiones graves sobre las personas y daños sobre el equipo, apáguelo antes de quitar o instalar un accesorio.

### Cómo instalar un accesorio

1. Si está, retire el espaciador gris que tiene la abertura del acoplador.
2. Apoye el equipo sobre una superficie plana y nivelada.
3. Gire la perilla en sentido contrario a las agujas del reloj a fin de aflojar el acoplador (Fig. 4).
4. Ponga en línea el botón de liberación con la ranura de la guía (Fig. 5).
5. Empuje el accesorio en el acoplador hasta que el botón de liberación se enganche firmemente en el primer orificio (Fig. 6).
6. Gire la perilla en el sentido de las agujas del reloj para ajustar el acoplador.



**PRECAUCIÓN:** Antes de poner en funcionamiento el equipo, compruebe que el botón de liberación haya enganchado completamente en el primer orificio y que la perilla esté bien ajustada.



**PRECAUCIÓN:** A menos que se indique lo contrario, el botón de liberación debe engancharse solamente en el primer orificio. Si usa el orificio incorrecto, se podrían producir lesiones personales o daños sobre la unidad.

### Cómo quitar el accesorio

1. Apoye el equipo sobre una superficie plana y nivelada.
2. Gire la perilla en sentido contrario a las agujas del reloj a fin de aflojar el acoplador (Fig. 4).
3. Presione y mantenga presionado el botón de liberación (Fig. 5).
4. Tire del accesorio hasta sacarlo del acoplador (Fig. 6).

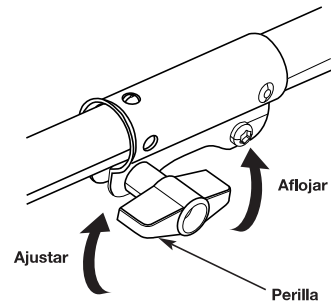


Fig. 4

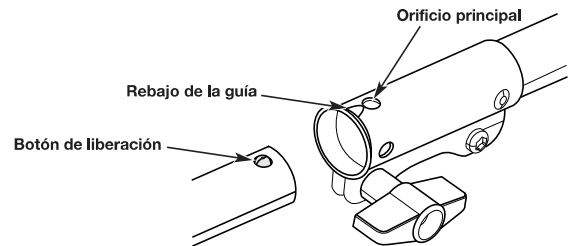


Fig. 5

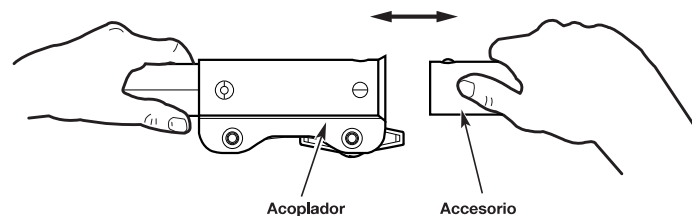


Fig. 6

## USAR EL ACEITE CORRECTO

Use un aceite SAE 30 de alta calidad. NO USE aceite sucio. Si no usa aceite limpio o usa la clase incorrecta de aceite puede producirse un desgaste temprano del motor y su consiguiente falla.

## CÓMO AGREGAR ACEITE: USO INICIAL



**ADVERTENCIA:** LLENAR DE MÁS EL CÁRTER DEL MOTOR PUEDE OCASIONAR LESIONES PERSONALES GRAVES. Antes de cada uso, revise el nivel de aceite. Es de extrema importancia mantener el nivel correcto de aceite. Cambie el aceite de acuerdo con el cronograma de mantenimiento.

**NOTA:** El equipo se envió sin aceite en el cárter del motor. Antes de poner el equipo en funcionamiento debe agregar el aceite.

**NOTA:** Este equipo viene con un envase de 60 ml de aceite (2.03 fl oz).

1. Apoye el equipo sobre una superficie plana y nivelada.
2. Desenrosque el tapón para el llenado de aceite (Fig. 7).
3. Coloque todo el contenido del envase dentro del orificio para el aceite. **NO** exceda el volumen de llenado. Consulte la sección: Cómo revisar el nivel de aceite.

**NOTA:** Nunca ponga aceite en el tanque para combustible. El equipo tiene un motor de cuatro ciclos. **NO** mezcle el aceite con la gasolina.

4. Limpie todo aceite que se haya derramado.
5. Vuelva a colocar el tapón para el llenado de aceite. Compruebe que la junta tórica esté colocada en el tapón (Fig. 7).

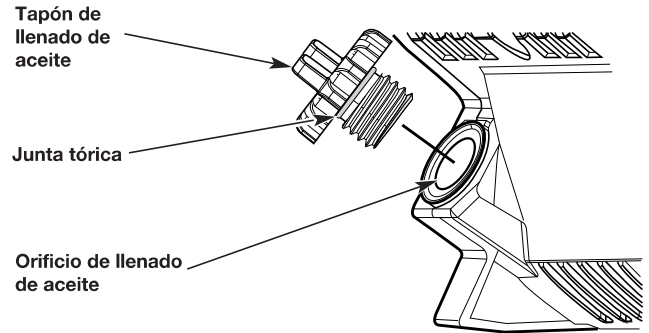





Fig. 7

## CÓMO ABASTECER DE COMBUSTIBLE EL EQUIPO

	<b>ADVERTENCIA:</b> La gasolina es extremadamente inflamable. Los vapores sometidos a ignición pueden explotar. Detenga el motor y déjelo enfriarse antes de llenar el tanque de combustible. No fume mientras llena el tanque. Aleje las chispas y llamas abiertas de la zona donde está el equipo.
	<b>ADVERTENCIA:</b> Quite lentamente la tapa del tanque de combustible para evitar lesiones producidas por el rociado de combustible. No ponga el equipo en funcionamiento sin que la tapa del tanque esté correctamente colocada.
	<b>ADVERTENCIA:</b> Cargue el combustible al aire libre, en un espacio limpio y bien ventilado. Limpie inmediatamente todo combustible derramado. Evite crear fuentes de ignición cerca del combustible derramado. No arranque el motor hasta que se disipen los vapores del combustible.

1. Coloque el equipo con la tapa del tanque de combustible mirando hacia arriba.
2. Quite lentamente la tapa del combustible.
3. Coloque el pico del recipiente del combustible en el orificio para llenado del tanque y llénelo. Deje de agregar gas cuando vea que el nivel llega a la base del surtidor del tanque (Fig. 6a).

**NOTA:** No llene de más el tanque.

4. Limpie todo combustible que se haya derramado.
5. Vuelva a colocar la tapa del combustible.
6. Antes de poner en marcha el motor, aleje el equipo al menos 9.1 m (30 pies) del envase que contiene el combustible y del lugar de carga de combustible.

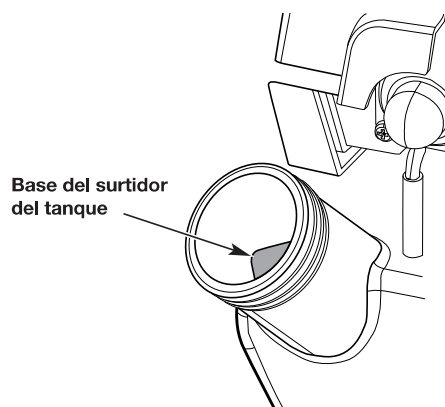


Fig. 6a

### USAR EL COMBUSTIBLE CORRECTO

El uso de combustible viejo es la causa más frecuente de problemas en el rendimiento. Use gasolina nueva, limpia y sin plomo.

**NOTA:** El equipo tiene un motor de cuatro ciclos. **NO** mezcle el aceite con la gasolina.

### Definición de combustibles combinados

Los combustibles de hoy en día a menudo son una mezcla de gasolina y oxigenados como el etanol, el metanol o el MTBE (éter). El combustible combinado con alcohol absorbe agua. Apenas un 1 % de agua en el combustible puede hacer que el aceite y el combustible se separen y por eso, forman ácidos cuando se los almacena. Use SIEMPRE combustible nuevo (menos de 30 días de uso previo) con menos del 10 % de etanol.

**NOTA:** Deseche el combustible viejo de acuerdo con las normas federales, estatales y locales.

### Uso de combustibles combinados

Si usa un combustible combinado:

- Use siempre gasolina sin plomo y nueva.
- Use el aditivo para combustibles STA-BIL® o un equivalente



**ADVERTENCIA:** NO USE COMBUSTIBLE E85 EN ESTE EQUIPO Se ha demostrado que el combustible que contiene más del 10 % de etanol, probablemente dañe el motor e invalide la garantía.

### Uso de aditivos para combustible

Use un aditivo para combustible, como el estabilizador STA-BIL o algún equivalente, para inhibir la corrosión y minimizar los depósitos de suciedad. Añada 23 ml (0.8 oz) de aditivo por cada galón de combustible, según las instrucciones provistas en el envase. **JAMÁS** añada aditivos directamente en el tanque de combustible.



**ADVERTENCIA:** Ponga en funcionamiento el equipo solamente en un área al aire libre y bien ventilada. Los vapores de la combustión, es decir el monóxido de carbono, pueden ser mortales en áreas cerradas.

**ADVERTENCIA:** Intente no arrancar el equipo accidentalmente. Para evitar lesiones graves, el operador y el equipo deben estar en una posición estable al momento de tirar del cordel de arranque (Fig. 11).

## INSTRUCCIONES PARA LA PUESTA EN MARCHA

1. Verifique el nivel de aceite. Consulte la sección: Cómo revisar el nivel de aceite.

2. Llene el tanque de combustible. Consulte la sección: Cómo abastecer de combustible el equipo.

**NOTA:** No hay necesidad de encender el equipo. El interruptor On/ Off de encendido y apagado se encuentra en la posición Encendido ( I ) en todo momento (Fig. 8).

3. Presione y suelte lentamente el bulbo del cebador 10 veces. (Fig.9).

4. Presione el botón estrangulador de aire hasta que haga clic (Fig. 10).

5. Pongase en cuclillas y adopte la posición de encendido (Fig. 11).

**NOTA:** El estrangulador de flujo se desactiva automáticamente cuando se presionan el bloqueo de aceleración y el acelerador.

6. Para encender el motor, con un movimiento controlado y estable tire 5 veces de la cuerda de arranque (Fig.11). Deje que el motor se caliente entre 30 a 60 segundos a ralenti antes de aumentar la velocidad de corte.

7. Para aumentar la velocidad de corte de la recortadora, mantenga presionado el bloqueo del acelerador con una mano y luego presione el control del acelerador con la otra. Cuanto más apriete el control del acelerador, más aumentará la velocidad de corte (Fig. 8).

**NOTA:** El bloqueo permanecerá activado mientras se apriete el control del acelerador.

**NOTA:** Para evitar que el control de aceleración se presione accidentalmente, el equipo cuenta con un bloqueo de aceleración. El control de la válvula no puede presionarse a menos que el bloqueo también esté activado.

**Si...** el motor no arranca, comience el procedimiento para el arranque en el paso 3.

**Si...** el motor aún no arranca tras 3 intentos: Presione y mantenga presionado el bloqueo de aceleración. Presione y mantenga presionado el control de aceleración. Tire de la cuerda de arranque con un movimiento controlado y estable hasta que el equipo arranque.

**Si...** el motor se detiene mientras el control de la válvula está apretado, comience el proceso de arranque desde el paso 3.

**SI EL MOTOR ESTÁ CALIENTE...** comience el procedimiento para el arranque en el paso 4.

## INSTRUCCIONES PARA LA DETENCIÓN

1. Suelte el control de aceleración y permita que el motor funcione en marcha lenta.

2. Presione y mantenga presionado el interruptor de On/ Off de encendido y apagado en la posición Apagado (O) hasta que el motor se detenga completamente (Fig. 8).

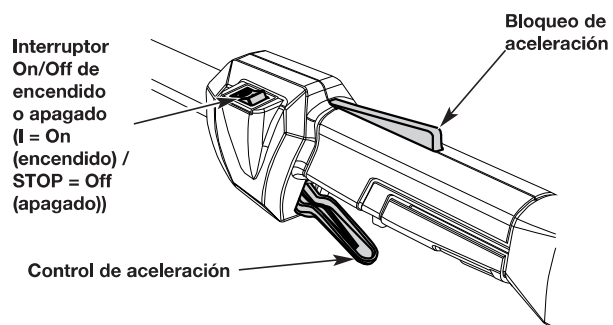


Fig. 8

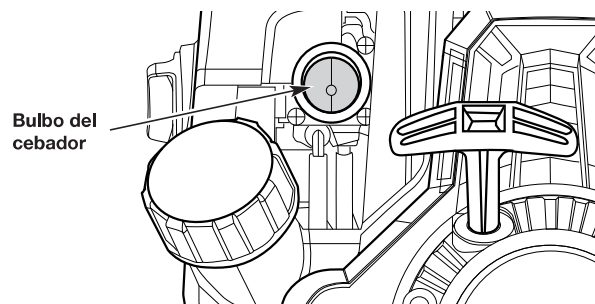


Fig. 9

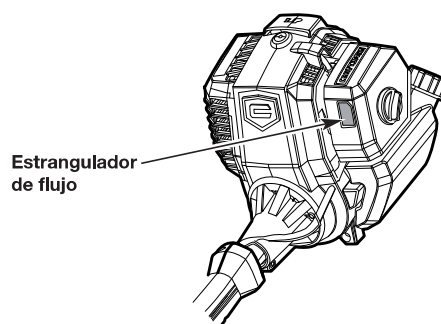


Fig. 10



Fig. 11

## CÓMO SOSTENER EL EQUIPO



**ADVERTENCIA:** Al poner en funcionamiento el equipo, use protección para los ojos, los oídos, las manos y el cuerpo a fin de minimizar el riesgo de sufrir lesiones.



**ADVERTENCIA:** Para evitar lesiones graves sobre su persona, evite que el brazo entre en contacto con el motor mientras funciona el equipo. Es posible que el motor esté demasiado caliente.



Fig. 12

- Párese de acuerdo con la posición de funcionamiento (Fig. 12). Párese erguido. No se incline hacia adelante.
- Mantenga los pies separados y bien apoyados.
- Con la mano derecha, sostenga el eje de agarre. Mantenga el brazo derecho levemente flexionado.
- Con la mano izquierda, sostenga la manija. Mantenga el brazo izquierdo extendido.
- Sostenga el equipo a la altura de la cintura.
- Ubique el cabezal de corte a unas pocas pulgadas sobre el suelo.
- No se estire en exceso; aleje el cuerpo del accesorio giratorio de corte y de las superficies que estén calientes.

## MODELO NÚMERO 74092

Si desea alejar los recortes de usted, balancee la recortadora, siempre que sea posible, con un movimiento de corte de derecha a izquierda. Hay una flecha con relieve en la parte superior del protector de seguridad que indica la dirección de preferencia, de derecha a izquierda, de operación de la recortadora.

## MODELO NÚMERO 74094

Si desea alejar los recortes de usted, balancee la recortadora, siempre que sea posible, con un movimiento de corte de izquierda a derecha. Hay una flecha con relieve en la parte superior del protector de seguridad que indica la dirección de preferencia, de izquierda a derecha, de operación de la recortadora.

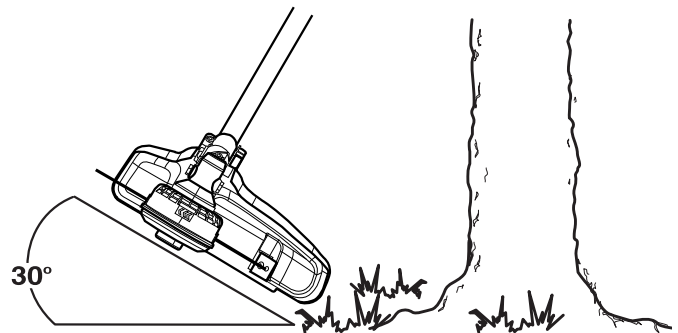


Fig. 13

## RECORTE DECORATIVO

Cuando deba recortar alrededor de árboles, postes, cercas, etc., gire todo el equipo de manera que el cabezal de corte se mantenga a un ángulo de 30° con respecto al suelo (Fig.13).

### Cómo mantener la línea de corte

Las superficies duras, como las aceras, pueden hacer que la línea de corte se desgaste rápidamente o se corte.

- Revise con frecuencia el largo de la línea de corte. Cambie la cuerda de recorte cuando sea necesario. Consulte la sección: Cómo cambiar el cordel de recorte.
- **NO** fuerce el equipo. Haga cortes poco profundos y repita tantas pasadas como sean necesarias para alcanzar la profundidad que desea. Corte a una velocidad lenta y pareja.


## CÓMO AJUSTAR LA LÍNEA DE CORTE

Este equipo está provisto de un cabezal suplementario. La línea de corte se puede liberar del cabezal sin detener el motor. Para liberar más cordel, golpee suavemente la perilla del cabezal contra el suelo (Fig.14) mientras el equipo funciona a alta velocidad. Para lograr mejores resultados, golpee la cabeza bump knob sobre suelo despejado o duro. Si intenta liberar cuerda en césped muy crecido, esto podría atascar el motor.

**NOTA:** No apoye el cabezal de corte sobre el suelo mientras el equipo está en funcionamiento.

Cada vez que se golpea la cabeza bump knob, se libera aproximadamente 25.4 mm (1 pulgada) de cuerda.

**NOTA:** Mantenga siempre la línea de corte totalmente extendida. La liberación de la cuerda es más difícil a medida que se acorta.

	<p><b>PRECAUCIÓN:</b> No quite ni modifique el montaje de la cuchilla de la línea de corte. Una cuerda demasiado largo hará que el equipo se recaliente. Esto puede producir lesiones graves o daños al equipo.</p>
--	---

## CONSEJOS PARA LOGRAR MEJORES RESULTADOS

- Para dirigir los recortes lejos del operador, incline el cabezal de corte ligeramente hacia la derecha; siempre que sea posible, y balancee la recortadora con un movimiento de corte de izquierda a derecha. Hay una flecha con relieve en la parte superior del protector de seguridad que indica la dirección de preferencia, de izquierda a derecha, de operación de la recortadora.
- No corte césped ni malezas húmedos.

**NOTA:** La cuerda se cortará si:

- Se enreda con objetos extraños
- Existe el desgaste normal de la cuerda
- Se intenta cortar vegetación muy densa
- Si fuerza la cuerda contra paredes o postes de cercas

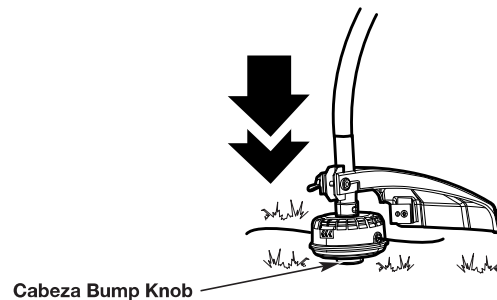


Fig. 14



**ADVERTENCIA:** Para evitar lesiones personales graves, detenga el motor y déjelo enfriar antes de limpiar o hacer un mantenimiento del equipo. Nunca limpie ni haga mantenimiento del equipo mientras esté funcionando. Desconecte la bujía para impedir que el equipo arranque accidentalmente.



**ADVERTENCIA:** Use ropa de protección y atienda a todas las instrucciones de seguridad a fin de evitar lesiones personales graves.



**ADVERTENCIA:** No use cuerdas con refuerzo metálico, cables, cadenas ni sogas. Pueden partirse y convertirse en peligrosos proyectiles.

Use solamente la línea de corte que se describe en la sección Especificaciones. Otros tipos de líneas de corte pueden hacer que el equipo se recaliente o falle.

### CÓMO CAMBIAR LA BOBINA (BUMP HEAD)

1. Empuje hacia adentro las pestañas que tiene a los lados del retenedor de la bobina y tire de ellas para extraerlo (Fig. 15).
2. Coloque el resorte, la arandela y la bobina rebobinada, y compruebe que las cuerdas queden dentro de las ranuras de fijación de la nueva bobina.

**NOTA:** Verifique que los extremos de la cuerda sean de aproximadamente 152 mm (6 pulgadas).

3. Coloque la nueva bobina de manera que los extremos del cordel queden alineados con los ojetes del cabezal de corte y enhebre los extremos de la cuerda a través de dichos ojetes.
4. Tire de las cuerdas que salen del cabezal de corte de manera que se liberen de las ranuras de la bobina.
5. Coloque el retenedor de la bobina ejerciendo presión sobre las pestañas en las ranuras y empujando la bobina hacia abajo hasta que el retenedor de la bobina haga clic en su lugar (Fig.15).

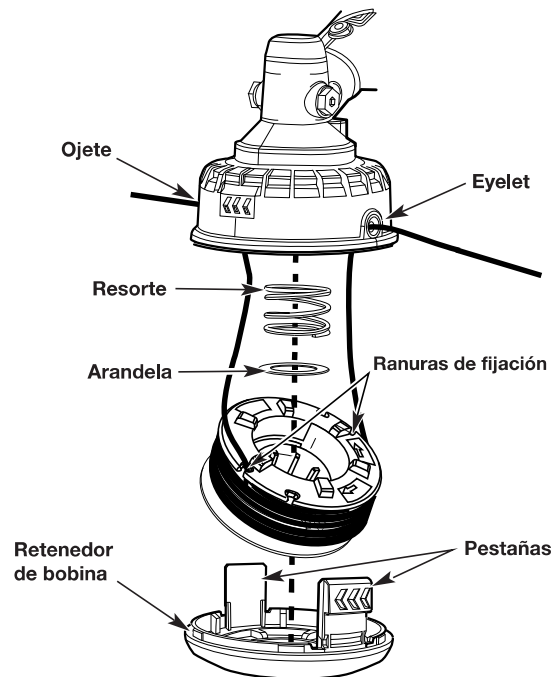


Fig. 15

## CÓMO CAMBIAR LA LÍNEA A DE CORTE (BUMP HEAD)

1. Retire la bobina del cabezal de corte.
2. Retire la cuerda vieja que quedó en la bobina. Con un paño limpio, limpie la superficie del cabezal de corte.
3. Corte 4.5 m (15 pies) de largo de una línea de corte de 2.4 mm (0.095 pulgadas) de diámetro.
4. Doble la cuerda por la mitad y pase el doblez por la ranura de sujeción del carrete (Fig. 16).
5. Enrosque la cuerda de manera firme y pareja alrededor de la bobina (Fig.17).
6. Coloque las cuerdas en las ranuras de fijación de la bobina (Fig. 15).
7. Coloque la bobina del cabezal de corte. Consulte: Cómo cambiar la bobina.

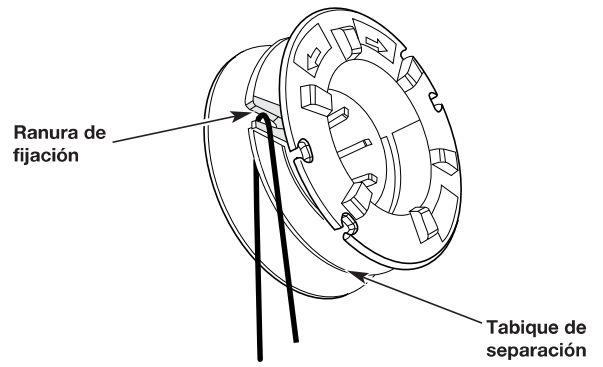


Fig. 16

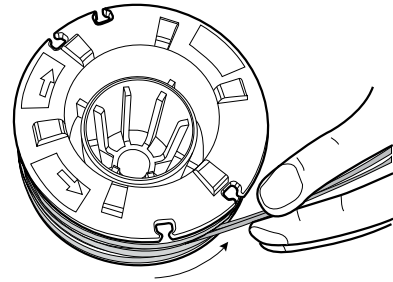


Fig. 17

## CÓMO CAMBIAR EL CORDEL DE RECORTE (LÍNEA FIJA)

Corte una línea de 16.25 in de longitud de 2.4 mm (0.095 in) de diámetro y enrósquela a través del cabezal de la recortadora (Fig. 18).

**NOTA:** Para evitar la vibración, asegúrese de que sobresalga la misma longitud de línea de cada lado del cabezal de la recortadora.

**NOTA:** Con esta recortadora, se suministran varias líneas de 16.25 in de 3.3 mm (0.130 in) de 3.3 mm (0.130 in) de la línea en espiral EXTRA SILENCIOSA de Craftsman. Esta línea está diseñada para cortar malezas más grandes y con cepillos livianos.

## CAMBIO DEL CABEZAL DE CORTE DE SUPLEMENTARIO A FIJO

### MODELO NÚMERO 74092\*

1. Gire el cabezal de corte hasta que quede expuesto el orificio de bloqueo (Fig. 19).
2. Inserte la llave Torx en el orificio de bloqueo, y pase por el eje y por el orificio del otro lado.
3. Gire el cabezal en sentido contrario a las agujas del reloj para desenroscar y retirar del eje.
4. Atornille el cabezal fijo en el sentido de las agujas del reloj sobre el eje hasta que quede firmemente apretado (Fig. 19a). Retire la llave Torx del orificio de bloqueo.
5. Si desea volver a instalar el cabezal suplementario, siga las instrucciones anteriores en el orden y en la manera opuestos.

## CAMBIO DEL CABEZAL DE CORTE DE SUPLEMENTARIO A FIJO

### MODELO NÚMERO 74094\*

1. Gire el collarín de cabeza hasta que el agujero de bloqueo visible exterior se alinee con el agujero de fijación interno debajo del collarín de la cabeza. (Fig. 20).
2. Inserte la llave Torx en el orificio de bloqueo hasta que se detenga.
3. Gire el cabezal en el sentido de las agujas del reloj para desenroscar y quitar el cabezal del eje.
4. Atornille el cabezal fijo en el sentido contrario a las agujas del reloj sobre el eje hasta que quede firmemente apretado (Fig. 20a). Retire la llave Torx del orificio de bloqueo.
5. Si desea volver a instalar el cabezal suplementario, siga las instrucciones anteriores en el orden y en la manera opuestos.

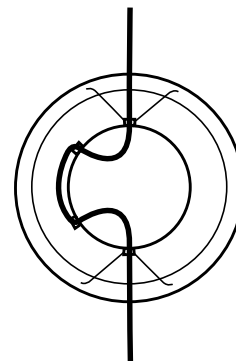


Fig. 18

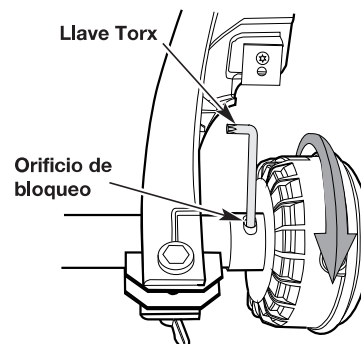


Fig. 19

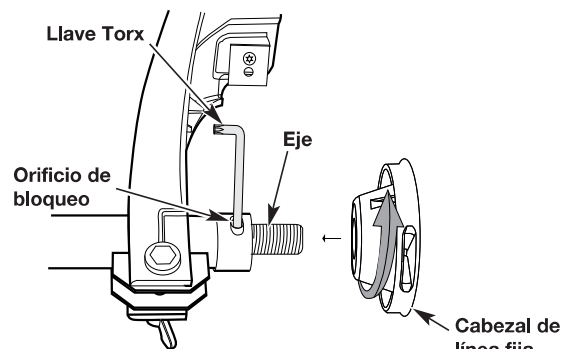


Fig. 19a

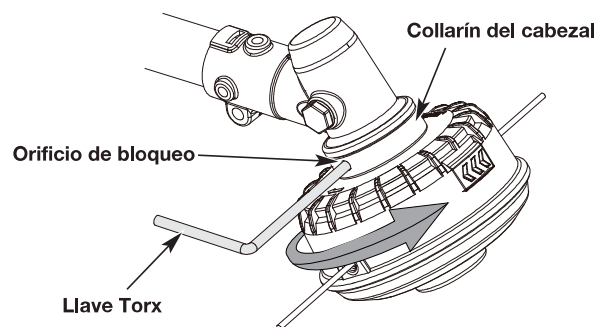


Fig. 20

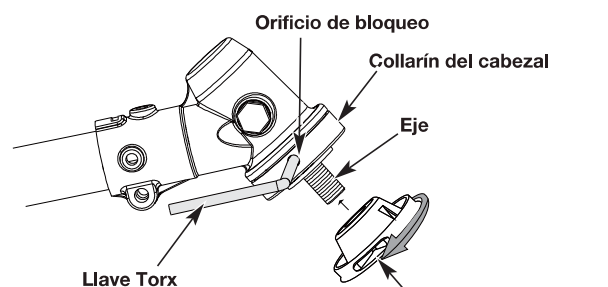


Fig. 20a

## **CRONOGRAMA DE MANTENIMIENTO**

Lleve a cabo las siguientes operaciones de mantenimiento con la frecuencia que se indica en la tabla. Estas operaciones también deben ser parte de todo ajuste estacional.

**NOTA:** Algunas operaciones de mantenimiento pueden necesitar de herramientas o habilidades especiales. Si tiene dudas acerca de las operaciones, lleve el equipo a un prestador de servicio técnico que esté calificado.

**NOTA:** El mantenimiento, recambio o la reparación de los dispositivos y el sistema de control de emisiones pueden llevarse a cabo con personal de un prestador de servicios de asistencia técnica.

**NOTA:** Lea la norma EPA de California que vino incluida con el equipo para conocer una lista completa de términos y cobertura de los dispositivos para el control de emisiones, como son el dispositivo contra chispas, el silenciador, el carburador, etc.

### **FRECUENCIA      MANTENIMIENTO NECESARIO**

Cada 10 horas	<ul style="list-style-type: none"><li>• Limpie y vuelva a colocar aceite en el filtro de aire. Consulte la sección de Mantenimiento del filtro de aire.</li></ul>
Cada 20 horas	<ul style="list-style-type: none"><li>• Cambie el aceite. Consulte la sección: Cómo cambiar el aceite.</li></ul>
Tras las primeras 10 horas y a las 38 horas	<ul style="list-style-type: none"><li>• Haga que un servicio técnico autorizado revise la separación del brazo basculante.</li><li>• Revise la situación y el espacio que tiene la bujía. Consulte la sección de Mantenimiento de la bujía.</li></ul>

## VERIFICAR EL NIVEL DE ACEITE



**ADVERTENCIA:** Antes de cada uso, revise el nivel de aceite. Es de extrema importancia mantener el nivel correcto de aceite.

### Revisar el nivel de aceite

1. Detenga el motor y déjelo enfriar.
2. Apoye el equipo sobre una superficie plana y nivelada, como una mesa de trabajo. La carcasa del cabezal de corte debe sobresalir del borde de manera que el motor esté nivelado (Fig.21).

**NOTA:** Si no se mantiene el nivel del motor, es posible que la lectura del nivel de aceite sea defectuosa.

3. Desenrosque el tapón para el llenado de aceite. El nivel de aceite debe ser visible en la primera rosca del depósito (Fig. 22). Si el nivel de aceite es demasiado bajo, añada aceite. Consulte Cómo agregar aceite

### Cómo agregar aceite

1. Limpie la zona que rodea al tapón del aceite (Fig. 22) para evitar que ingrese suciedad al orificio de llenado.
2. Desenrosque el tapón para el llenado de aceite.
3. Agregue aceite por el orificio hasta que el nivel sea visible en la primera rosca del depósito (Fig. 22).



**ADVERTENCIA:** No llene de más el nivel de aceite. Llenarlo de más provocará un exceso de aceite en el cárter del motor y generará humo/s que pueden dañar al usuario.

- Si el nivel de aceite es demasiado alto, incline el equipo y drene el exceso en un recipiente adecuado.
4. Limpie todo aceite que se haya derramado.
  5. Compruebe que la junta tórica esté colocada en el tapón (Fig. 23).
  6. Vuelva a colocar el tapón para el llenado de aceite.

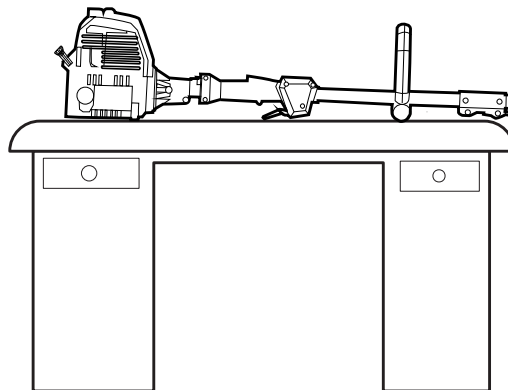


Fig. 21

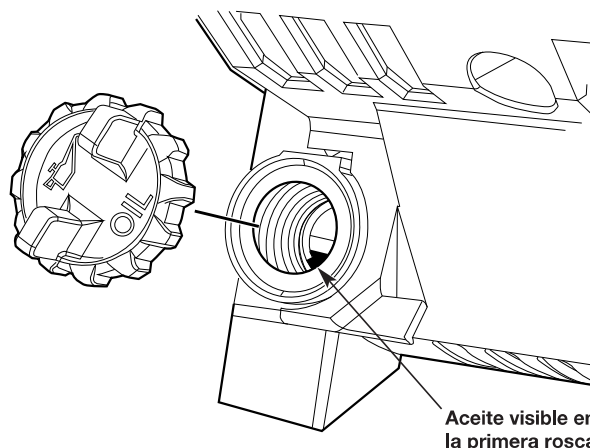


Fig. 22

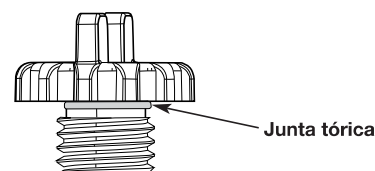


Fig. 23



## CÓMO CAMBIAR EL ACEITE

Cambie el aceite mientras el motor está tibio. El aceite fluye libremente y arrastra más impurezas.

1. Limpie la zona que rodea al tapón del aceite (Fig. 22) para evitar que ingrese suciedad al orificio de llenado.
2. Desenrosque el tapón para el llenado de aceite.
3. Inclíne el equipo de manera vertical para vaciar el aceite del depósito hacia un recipiente (Fig. 24). Deje pasar tiempo suficiente para que se drene por completo.

**NOTA:** Deseche el combustible viejo de acuerdo con las normas federales, estatales y locales.

4. Limpie todo aceite que se haya derramado.
5. Vierta 60 ml (2.03 fl.oz) de aceite SAE 30 en el orificio para llenado de aceite.

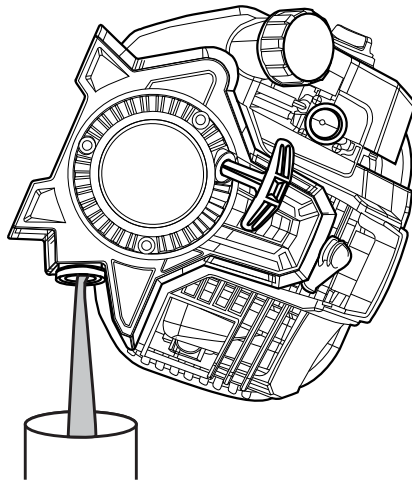


Fig. 24



**ADVERTENCIA:** NO llene de más el nivel de aceite. Llenarlo de más provocará un exceso de aceite en el cárter del motor y generará humo/s que pueden dañar al usuario.

6. Limpie todo aceite que se haya derramado.
7. Compruebe que la junta tórica esté colocada en el tapón (Fig. 23).
8. Vuelva a colocar el tapón para el llenado de aceite.

## MANTENIMIENTO DEL FILTRO DE AIRE

Si no se le hace mantenimiento al filtro de aire el rendimiento puede verse afectado y también puede dañar permanentemente el motor. Las fallas del motor ocasionadas por un mal mantenimiento del filtro de aire no están cubiertas por la garantía del producto.

### Cómo limpiar el filtro de aire

1. Desenrosque el tornillo de la carcasa. Retire la tapa del filtro de aire de la caja (Fig. 25).
2. Retire el filtro de aire de la caja.
3. Lave el filtro con agua y detergente. Enjuáguelo bien y déjelo secar.
4. Vuelva a colocar el filtro de aire en la caja (Fig. 25).

**NOTA:** Poner en funcionamiento el equipo sin el filtro de aire y sin su tapa, INVALIDARÁ la garantía.

5. Inserte la pestaña que tiene la tapa del filtro en el orificio que tiene la caja. Empuje la tapa sobre la caja del filtro. Coloque el tornillo de la carcasa en la tapa. Ajuste el tornillo para afirmar la tapa del filtro (Fig. 25).

**NOTA:** No ajuste demasiado porque podría desmoldarse el tornillo.

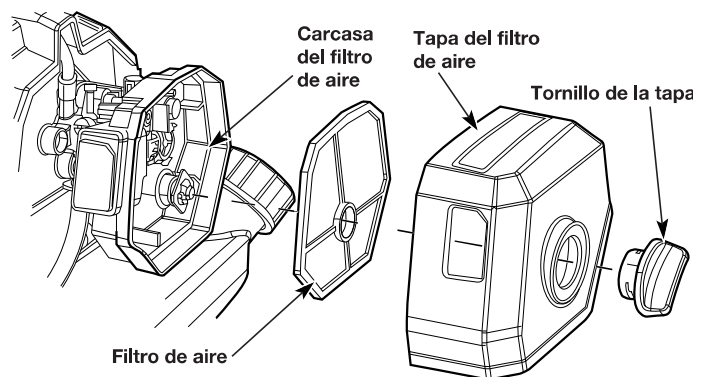


Fig. 25

## CÓMO AJUSTAR LA VELOCIDAD EN MARCHA LENTA



**ADVERTENCIA:** Es posible que el cabezal de corte gire durante el funcionamiento en ajustes de...marcha lenta. Use ropa de protección y atienda a todas las instrucciones de seguridad a fin de evitar lesiones personales graves.

Si el equipo no funciona debidamente en vacío:

1. Arranque el motor. Consulte la sección puesta en marcha y detención.
2. Suelte el control de aceleración y permita que el motor funcione en marcha lenta.
  - Si el motor se detiene, aumente la velocidad de funcionamiento en marcha lenta. Con un pequeño destornillador Phillips gire el tornillo en el sentido de las agujas del reloj, 1/8 de giro por vez, hasta que el motor funcione en marcha lenta suavemente (Fig. 26). Si el cabezal de corte gira mientras el motor funciona en marcha lenta, reduzca la velocidad en marcha lenta. Gire el tornillo de la velocidad en vacío en el sentido contrario a las agujas del reloj, 1/8 de giro por vez, hasta que el cabezal de corte deje de moverse (Fig. 26).

## MANTENIMIENTO DE LA BUJÍA

1. Detenga el motor y déjelo enfriar. Tome firmemente la funda de la bujía y retírela.
2. Limpie alrededor de la bujía. Retire la bujía del cabezal del cilindro con un conector de 5/8 de pulgada, y gire en el sentido contrario a las agujas del reloj.

**NOTA:** Se suministra una llave de bujías de 5/8 de pulgada con esta recortadora.



**PRECAUCIÓN:** No lije, raspe ni limpie los electrodos de la bujía. La presencia de limaduras en el motor podría afectar al cilindro.

3. Revise la bujía. Si la bujía está partida, atorada o sucia cámbiela por el repuesto n.º AM5RC o por una bujía equivalente.
4. Con un calibrador de verificación de piezas fije el espacio de aire entre 0.6 mm y 0.8 mm (0.025 in - 0.31 in) (Fig. 27).
5. Coloque la bujía en el cabezal del cilindro. Ajuste la bujía con un conector de 5/8 pulgadas y gírela en el sentido de las agujas del reloj hasta que esté bien ajustada.

**NOTA:** Si usa una llave de torsión ajuste a 18 N•m (159 in•lb). No ajuste en exceso.

6. Coloque nuevamente la funda de la bujía.

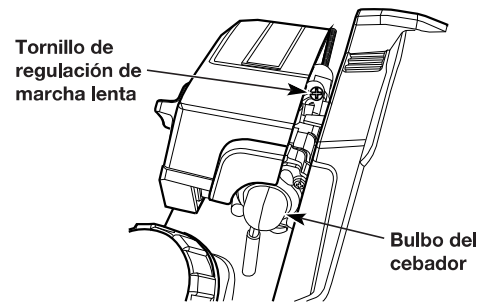


Fig. 26

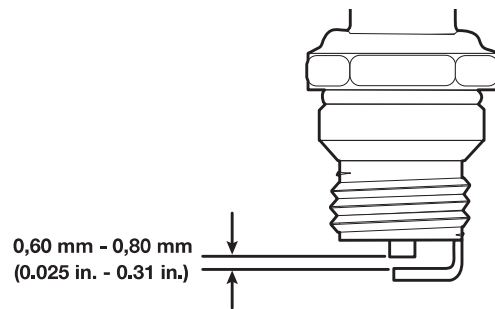


Fig. 27

### LIMPIEZA



**ADVERTENCIA:** Para evitar lesiones personales graves, detenga el motor y déjelo enfriar antes de limpiar o hacer un mantenimiento del equipo.

Con un cepillo pequeño, limpie la superficie externa del equipo. No use detergentes concentrados. Los limpiadores hogareños que contienen aceites aromáticos como el pino o el limón, y los solventes como el querosén pueden dañar el plástico. Limpie la humedad con un paño suave.

### GUARDADO

- No guarde un equipo con combustible en lugares donde los vapores puedan ser alcanzados por una llama abierta o una chispa.
- Deje enfriar el motor antes de guardar el equipo.
- Proteja con candado el equipo para evitar el uso no autorizado o daños a terceros.
- Guarde el equipo en una zona seca, bien ventilada.
- Guarde el equipo fuera del alcance de los niños.

#### Almacenamiento a corto plazo (1-2 semanas)

Guarde el equipo en posición horizontal. Si no es posible, póngalo en posición vertical, con el motor en la parte superior.

#### Almacenamiento a largo plazo

1. Quite la tapa del combustible, incline el equipo y vacíe el combustible en un recipiente adecuado. Vuelva a colocar la tapa del combustible.
2. Arranque el motor y déjelo funcionar hasta que se pare. Así se asegura de que se haya retirado todo el combustible del carburador.
3. Deje enfriar el motor. Retire la bujía y ponga 5 gotas de cualquier aceite para motor de alta calidad en el cilindro. Tire de la cuerda de arranque lentamente para esparcir el aceite. Vuelva a instalar la bujía.
4. Limpie bien el equipo en busca de partes flojas o dañadas. Repare o cambie las piezas dañadas y ajuste los tornillos, las tuercas o los pernos flojos.
5. Guarde el equipo en posición horizontal. Si no es posible en posición horizontal, póngalo en posición vertical, con el motor en la parte superior.

#### Cómo preparar el equipo para usarlo tras un tiempo prolongado de haber estado almacenado

1. Retire la bujía. Incline el equipo y drene todo el aceite del cilindro a un recipiente aprobado. Vuelva a instalar la bujía.
2. Cambie el aceite. Consulte la sección: Cómo cambiar el aceite.

**NOTA:** No use combustible que haya estado guardado más de 30 días.

Deseche el combustible viejo de acuerdo con las normas federales, estatales y locales.

## SOLUCIÓN DE PROBLEMAS

<b>PROBLEMA</b>	<b>SOLUCIÓN</b>
<b>EL MOTOR NO ARRANCA</b>	
El tanque de combustible está vacío	Llene el tanque con combustible nuevo
El bulbo cebador no se presionó lo suficiente	Presione el bulbo cebador 10 veces
El combustible es viejo (más de 30 días)	Vacíe el tanque de combustible y ponga combustible nuevo
La bujía está sucia	Cambie la bujía.
<b>EL MOTOR NO FUNCIONA EN VACÍO</b>	
El filtro de aire está sucio	Limpie o cambie el filtro de aire
El combustible es viejo (más de 30 días)	Vacíe el tanque de combustible y ponga combustible nuevo
<b>EL MOTOR NO ACELERA</b>	
El combustible es viejo (más de 30 días)	Vacíe el tanque de combustible y ponga combustible nuevo
El cabezal de corte tiene césped atascado	Detenga el motor y limpie el cabezal de corte
El filtro de aire está sucio	Limpie o cambie el filtro de aire
<b>EL MOTOR NO TIENE POTENCIA O SE PARA</b>	
El combustible es viejo (más de 30 días)	Vacíe el tanque de combustible y ponga combustible nuevo
El filtro de aire está sucio	Limpie o cambie el filtro de aire
La bujía está sucia	Cambie la bujía.

**Si necesita ayuda, lleve el equipo a un prestador de servicio técnico que esté calificado.**