



Quad Door REFRIGERATORS

SAFETY INFORMATION 3

USE THE REFRIGERATOR

Features 5
 Controls 6
 Dispensers 9
 Auto Fill Pitcher 11
 Doors 12
 Storage Features 12

CARE AND CLEANING 13

INSTALLATION INSTRUCTIONS

Preparing to Install the
 Refrigerator 16
 Installing the Refrigerator 17
 Installing the Water Line 22
 Electrical Connection 24
 Level Refrigerator 25
 Align Doors 25

TROUBLESHOOTING TIPS . . 26

WARRANTY 29

CONSUMER SUPPORT

RPWFE Water Filter Cartridge
 Limited Warranty 30
 Performance Data Sheet 31
 Consumer Support 32

**OWNER'S MANUAL &
INSTALLATION
INSTRUCTIONS**

G6S28TSLSS

Write the model and serial numbers here:

Model # _____

Serial # _____

Find these numbers on a label on the left side, near the middle of the refrigerator compartment.

THANK YOU FOR MAKING GE APPLIANCES A PART OF YOUR HOME.

Whether you grew up with GE Appliances, or this is your first, we're happy to have you in the family.

We take pride in the craftsmanship, innovation and design that goes into every GE Appliances product, and we think you will too. Among other things, registration of your appliance ensures that we can deliver important product information and warranty details when you need them.

Register your GE appliance now online. Helpful websites and phone numbers are available in the Consumer Support section of this Owner's Manual. You may also mail in the pre-printed registration card included in the packing material.



IMPORTANT SAFETY INFORMATION

READ ALL INSTRUCTIONS BEFORE USING THE APPLIANCE

⚠ WARNING To reduce the risk of fire, explosion, electric shock, or injury when using your refrigerator follow these basic safety precautions:

- This refrigerator must be properly installed and located in accordance with the Installation Instructions before it is used.
- Unplug the refrigerator before making repairs, replacing a light bulb, or cleaning.
NOTE: Power to the refrigerator cannot be disconnected by any setting on the control panel.
NOTE: Repairs must be performed by a qualified service professional.
- Replace all parts and panels before operating.
- Do not store or use gasoline or other flammable vapors and liquids in the vicinity of this or any other appliance.
- Do not use an adapter.
- Do not use an extension cord.
- Use only nonflammable cleaner.
- To prevent suffocation and entrapment hazards to children, remove doors from any refrigerator before disposing of it or discontinuing its use.
- Do not allow children to climb, stand or hang on the door handles or the shelves in the refrigerator. They could seriously injure themselves.

⚠ CAUTION To reduce the risk of injury when using your refrigerator, follow these basic safety precautions.

- Do not clean glass shelves or covers with warm water when they are cold. Glass shelves and covers may break if exposed to sudden temperature changes or impact, such as bumping or dropping. Tempered glass is designed to shatter into many small pieces if it breaks.
- Keep fingers out of the “pinch point” areas; clearances between the doors and between the doors and cabinet are necessarily small. Be careful closing or opening doors when children are in the area.
- Do not touch the cold surfaces in the freezer compartment when hands are damp or wet, skin may stick to these extremely cold surfaces.
- Do not refreeze frozen foods which have thawed completely.
- In refrigerators with automatic ice makers, avoid contact with the moving parts of the ejector mechanism, or with the heating element that releases the cubes. Do not place fingers or hands on the automatic ice making mechanism while the refrigerator is plugged in.

STATE OF CALIFORNIA PROPOSITION 65 WARNINGS:

⚠ WARNING This product contains one or more chemicals known to the State of California to cause cancer and birth defects or other reproductive harm.

INSTALLATION

⚠ WARNING  **EXPLOSION HAZARD**

Keep flammable materials and vapors, such as gasoline, away from refrigerator. Failure to do so can result in fire, explosion, or death.

READ AND SAVE THESE INSTRUCTIONS

IMPORTANT SAFETY INFORMATION

READ ALL INSTRUCTIONS BEFORE USING THE APPLIANCE

CONNECTING ELECTRICITY

⚠ WARNING ELECTRICAL SHOCK HAZARD

Plug into a grounded 3-prong outlet
 Do not remove the ground prong
 Do not use an adapter
 Do not use an extension cord.
 Failure to follow these instructions can result in death, fire, or electrical shock.

Do not, under any circumstances, cut or remove the third (ground) prong from the power cord. For personal safety, this appliance must be properly grounded.

The power cord of this appliance is equipped with a 3-prong (grounding) plug which mates with a standard 3-prong (grounding) wall outlet to minimize the possibility of electric shock hazard from this appliance.

Have the wall outlet and circuit checked by a qualified electrician to make sure the outlet is properly grounded.

Where a standard 2-prong wall outlet is encountered, it is your personal responsibility and obligation to have it replaced with a properly grounded 3-prong wall outlet. Do not use an adapter.

The refrigerator should always be plugged into its own individual electrical outlet which has a voltage rating that matches the rating plate. Use an outlet that cannot be turned off by a switch.

A 115 Volt AC, 60 Hz, 15- or 20-amp fused, grounded electrical supply is required. This provides the best performance and also prevents overloading house wiring circuits which could cause a fire hazard from overheated wires.

Never unplug your refrigerator by pulling on the power cord. Always grip plug firmly and pull straight out from the outlet.

Repair or replace immediately all power cords that have become frayed or otherwise damaged. Do not use a cord that shows cracks or abrasion damage along its length or at either end.

When moving the refrigerator away from the wall, be careful not to roll over or damage the power cord.

PROPER DISPOSAL OF YOUR OLD APPLIANCE

⚠ WARNING SUFFOCATION AND CHILD ENTRAPMENT HAZARD

Remove all doors from the refrigerator, prior to disposal. Failure to do so can result in child entrapment which can lead to death or brain damage.

IMPORTANT: Child entrapment and suffocation are not problems of the past. Junked or abandoned refrigerators are still dangerous even if they will sit for “just a few days.” If you are getting rid of your old appliance, please follow the instructions below to help prevent accidents.

Before You Throw Away Your Old Refrigerator:

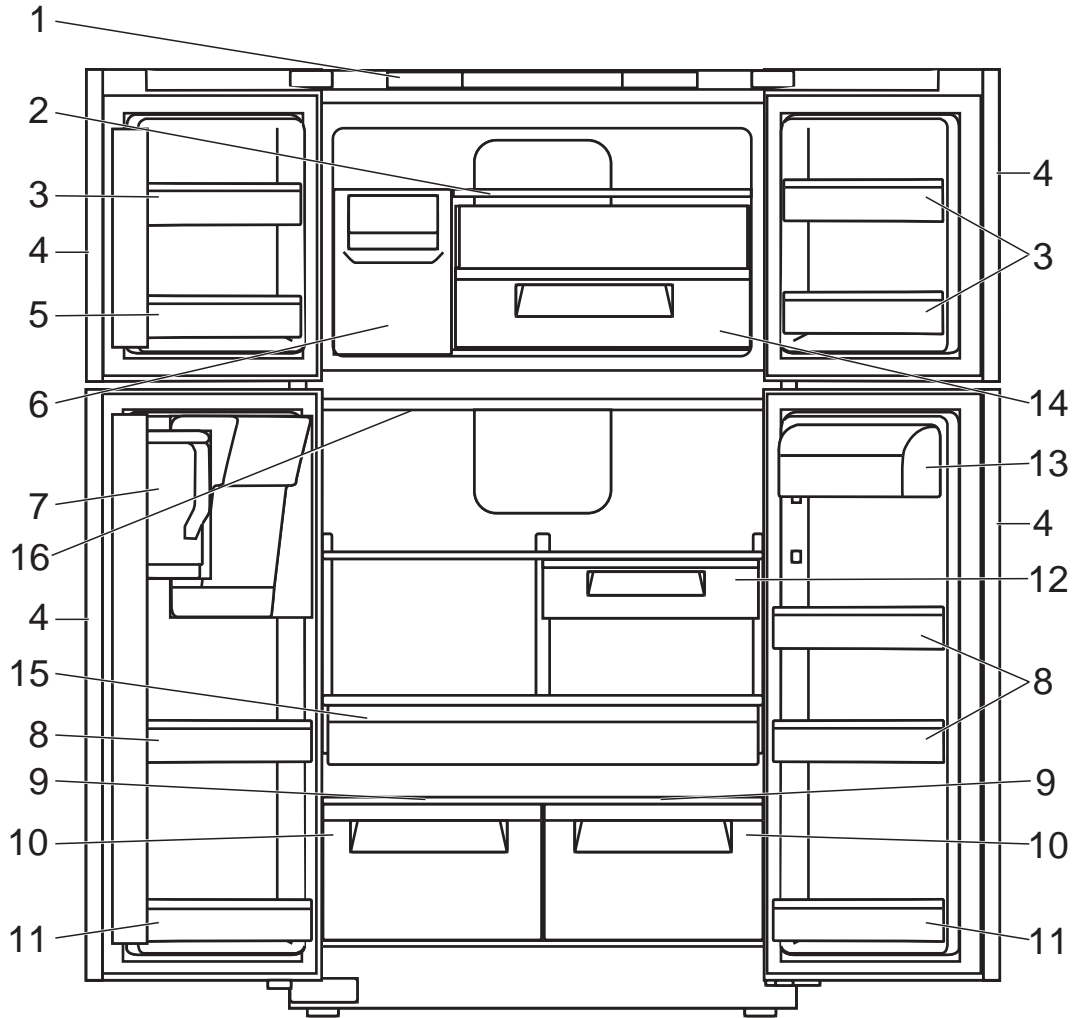
- Take off all of the doors.
- Leave the shelves in place so that children may not easily climb inside.

Refrigerants

All refrigeration products contain refrigerants, which under federal law must be removed prior to product disposal. If you are getting rid of an old refrigeration product, check with the company handling the disposal about what to do.

READ AND SAVE THESE INSTRUCTIONS

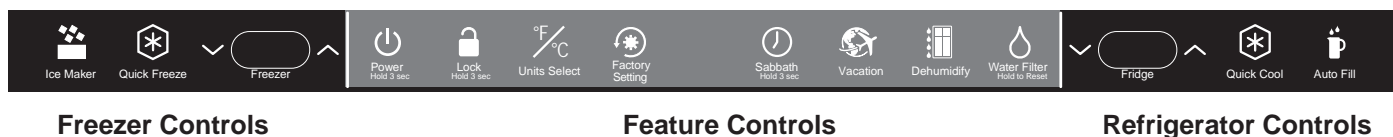
Features



- 1. Control Panel
- 2. Glass Full-width Shelf
- 3. Door Bins (3)
- 4. Handle Lights (4) (On Some Models)
- 5. Shallow Door Bin (1)
- 6. Ice Storage Bin
- 7. Auto Fill Pitcher
- 8. Gallon Plus Door Bin (2) or (3)
(Depending on Model)
- 9. Crisper Humidity Control (2)
- 10. Crisper Drawers (2)
- 11. Gallon Door Bin (2)
- 12. Deli Drawer (On Some Models)
- 13. Utility Compartment
- 14. Freezer Storage Drawer (On Some Models)
- 15. Full Width Drawer
- 16. Water Filter

Controls

IMPORTANT: To operate the controls, press the ICON above the text and the ICON will illuminate to indicate the status of the control.



Freezer Controls

ICE MAKER

Turns On/Off the ice maker function.

- To turn on the ice maker, press ICE MAKER. The ice maker icon will illuminate.
- To turn off the ice maker, press ICE MAKER. The ice maker will turn off.

QUICK FREEZE

The Quick Freeze function sets the freezer compartment to -6°F (-21°C) to accelerate the freezing of fresh food and to protect food already stored from undesirable warming.

NOTE: If you need to freeze a large amount of food, it is recommended you set the Quick Freeze function a few hours in advance.

- To turn on the Quick Freeze function, press QUICK FREEZE. The Quick Freeze icon will illuminate.
- To turn off the Quick Freeze function, press QUICK FREEZE. The Quick Freeze icon will turn off.

NOTE: Quick Freeze will automatically turn off after 24 hours.

TEMPERATURE DISPLAY

When Power is first turned on, the preset recommended temperature of 0°F (-18°C) will illuminate blue in the display.



Feature Controls

POWER

Turns the cooling On and Off.

- Press and hold POWER for 3 seconds. The icon will be green when ON and red when OFF.

LOCK

To Lock and Unlock the dispenser and the refrigerator controls:

- Press and hold LOCK for 3 seconds. The Lock icon will illuminate to indicate the control panel is locked.
- Press and hold LOCK for 3 seconds to unlock. The Lock icon will turn off.

NOTE: When Lock is activated, any press of a control ICON will result in an error tone.

UNIT SELECT (°F/ °C)

This feature allows you to select between displaying the temperature in either degrees Fahrenheit (°F) or degrees Celsius (°C).

- Press UNIT SELECT to toggle between °F and °C. The corresponding icon will illuminate.

FACTORY SETTING

- Press FACTORY SETTING to reset the refrigerator to the factory settings.

SABBATH MODE

The Sabbath mode is designed for those whose religious observances require turning off the lights. All interior lights, exterior lights and dispenser controls will be disabled. If a door is left ajar, the Door Ajar icon will illuminate, but no alarm will sound.

- To activate Sabbath mode, press and hold SABBATH for 3 seconds. The Sabbath icon will illuminate.
- To deactivate Sabbath mode, press and hold SABBATH for 3 seconds. The Sabbath icon will turn off.

NOTE: Sabbath mode will turn off automatically after 74 hours have passed.

VACATION MODE

In Vacation Mode, the freezer will defrost less often to conserve energy.

- Press VACATION to turn On/Off vacation mode. The Vacation icon is illuminated when Vacation mode is activated.

NOTE: Vacation mode will turn off automatically if a door is opened or a control on the panel is pressed.

Controls

Feature Controls (Continued)

DEHUMIDIFY

The Dehumidify feature turns on heaters to reduce the amount of moisture that may appear on the door edges and mullions (vertical bars hinged to the left-hand freezer and refrigerator doors) in warm, humid conditions.

When the dehumidify function is turned off, and sensors detect that the room temperature and humidity measurements require turning on the heaters to keep moisture from forming on the door edges and the mullions, the dehumidify icon will blink once every 3 seconds to alert you to this condition.

To turn on the Dehumidify function, press **Dehumidify**. The indicator will illuminate.

To turn OFF the dehumidify function, press **Dehumidify**. The indicator will turn off. **NOTE:** The heaters will remain on until they are manually turned off by pressing the Dehumidify ICON.

WATER FILTER STATUS INDICATOR

Good Status - Water Filter icon will illuminate green.

Replace Status - Water Filter icon will illuminate red.

To reset, press and hold WATER FILTER for 3 seconds. The icon will change from red to green.

Refrigerator Controls

TEMPERATURE DISPLAY

When Power is first turned on, the preset recommended temperature of 37°F (3°C) will illuminate blue in the display.



QUICK COOL

The Quick Cool function sets the refrigerator compartment to 34°F (1°C) to accelerate the cooling of fresh food and protects the foods already stored from undesirable warming.

- To turn on the Quick Cool function, press QUICK COOL. The Quick Cool indicator will illuminate.
- To turn off the Quick Cool function, press QUICK COOL. The Quick Cool indicator will turn off

NOTE: Quick Cool will automatically turn off after 8 hours.

AUTO FILL

Controls the water pitcher automatic fill function.

- Press AUTO FILL. The Auto Fill icon will illuminate to indicate that the auto fill function is activated.
- Press AUTO FILL again to turn off the function. The Auto Fill icon will turn off.

Adjusting Temperature

When the refrigerator is first plugged in, the display will show the recommended temperatures.

IMPORTANT:

- The recommended setting should be correct for normal household refrigerator use.
- When the refrigerator is first turned on, it may take up to 12 hours to cool to the preset temperatures.
- Wait 24 hours for your refrigerator to cool completely before adding food. If you add food before the refrigerator has cooled completely, your food may spoil.
- Except when first turning on the refrigerator, do not adjust either control more than one setting at a time. Wait 24 hours between adjustments for the temperature to stabilize.
- If the temperature is too warm or too cold in the refrigerator or freezer, first check the air vents to be sure they are not blocked before adjusting the controls.

REFRIGERATOR COMPARTMENT

The temperature range for the refrigerator compartment is 34°F to 42°F (1°C to 5°C).

- Press the up and down arrow controls to raise or lower the temperature in the compartment.



NOTE: Wait 24 hours between adjustments for the temperature to stabilize.

FREEZER COMPARTMENT

The temperature range for the freezer compartment is -6°F to 4°F (-21°C to -16°C).

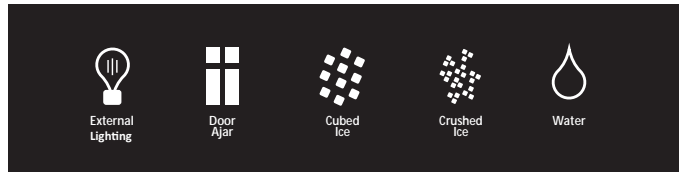
- Press the up and down arrow controls to raise or lower the temperature in the compartment.



Controls

Dispenser Panel Controls

The icons on the dispenser control panel illuminate to indicate that a feature is activated.



DISPENSER LIGHT AND HANDLE LIGHT

When you use the dispenser, the dispenser light will turn on automatically.

- Press **External Lighting** on the control panel to turn on the dispenser light and handle lights when you are not dispensing.

NOTE: The dispenser lights are LEDs that cannot be changed. If it appears that your dispenser lights are not working, see “Troubleshooting” for more information.

DOOR AJAR

When a door has been opened, the **Door Ajar** icon will illuminate.

When a door has been left open for 5 minutes or longer, the Door Ajar alarm will sound and the internal lighting will flash.

To snooze the alarm for 5 minutes, press **Door Ajar**. If a door is still ajar, the door ajar alarm will sound again and the internal lighting will flash.

CUBED ICE

Press **Cubed Ice** to dispense ice cubes. Your selection will illuminate.

CRUSHED ICE

Press **Crushed Ice** to dispense crushed ice. Your selection will illuminate.

WATER

Press **Water** to dispense water. Your selection will illuminate.

Dispensers

Water Dispenser

IMPORTANT:

- Dispense at least 1 qt (1 L) of water every week to maintain a fresh supply.
- If the flow of water from the dispenser decreases, it could be caused by low water pressure.
- With the water filter installed, dispense 1 cup (237 mL) of water. If 1 cup (237 mL) of water is dispensed in 8 seconds or less, the water pressure to the refrigerator meets the minimum requirement.
- If it takes longer than 8 seconds to dispense 1 cup (237 mL) of water, the water pressure to the refrigerator is lower than recommended. See “Water Supply Requirements” and “Troubleshooting” for suggestions.

Flush the Water System

Air in the water dispensing system can cause the water dispenser to drip. After connecting the refrigerator to a water source or replacing the water filter, flush the water system.

Flushing the water dispensing system forces air from the water line and the filter, and prepares the water filter for use. Additional flushing may be required in some households.

Dispense 2 gallons of water through the water dispenser into a wide-mouthed container to flush air from the water system (it takes approximately 5 minutes to dispense 2 gallons of water).

NOTE: As air is forced from the system water may spurt out of the dispenser.

Dispenser Drip Tray

There is an insert in the dispenser drip tray. The insert can be removed from the drip tray to carry to the sink to empty or clean.

- Push down on the rear edge of the insert to tilt up the front edge for easy removal.

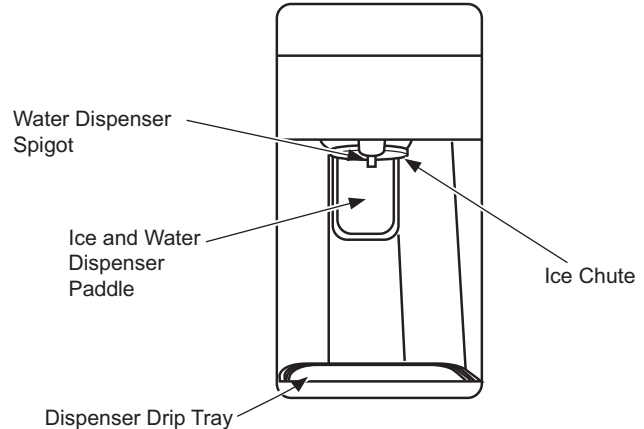
To Dispense Water:

1. Select the **Water** icon on the dispenser controls and press the container against the ice and water dispenser paddle.

NOTE:

It is not necessary to use a lot of pressure to activate the water dispenser. Pressing hard could cause foam or plastic containers to crack.

2. Release the ice and water dispenser paddle, and then remove the container.




NOTE:

- Allow 3 hours for the refrigerator to cool down and chill water.
- The water dispensing system will not operate when the left hand refrigerator dispenser door is open or if a water filter or bypass plug is not installed.

Dispensers

Ice Dispenser

⚠ WARNING  **CUT HAZARD**

Use a sturdy glass when dispensing ice or water. Failure to do so can result in cuts.

NOTE:

- Allow 24 hours to produce the first batch of ice. Discard the first three batches of ice produced.
- The ice dispensing system will not operate when either refrigerator door is open.
- Ice travels from the ice storage bin through the dispenser chute to the dispenser.
- For crushed ice, cubes are crushed before being dispensed. This may cause a slight delay when dispensing crushed ice.
- Noise from the ice crusher is normal, and pieces of ice may vary in size.
- When changing from crushed to cubed ice, a few ounces of crushed ice will be dispensed along with the first cubes.

If the ice cubes are hollow or have an irregular shape, it could be because of low water pressure. See “Water Supply Requirements.”

To Dispense Ice:

1. Press CUBED ICE or CRUSHED ICE to select the desired type of ice. The corresponding icon will illuminate.
2. Press a sturdy glass against the dispenser paddle. Hold the glass close to the dispenser opening so ice does not fall outside of the glass.

IMPORTANT: You do not need to apply a lot of pressure to the paddle to activate the ice dispenser. Pressing hard will not make the ice dispense faster or in greater quantities.

3. Remove the glass to stop dispensing.

NOTE:

- Ice may continue to dispense for several seconds after removing the glass from the dispenser paddle. The dispenser may continue to make noise for a few seconds after dispensing.
- If crushed ice is missing the glass when dispensing, move the glass up so that it is closer to ice chute.

ICE DISPENSER CHUTE

Humidity causes ice to naturally clump together. Ice particles can build up until the ice dispenser chute becomes blocked.

If ice is not dispensed regularly, it may be necessary to empty the ice storage bin and clean the ice delivery chute, the ice storage bin and the area beneath the storage bin every 2 weeks.

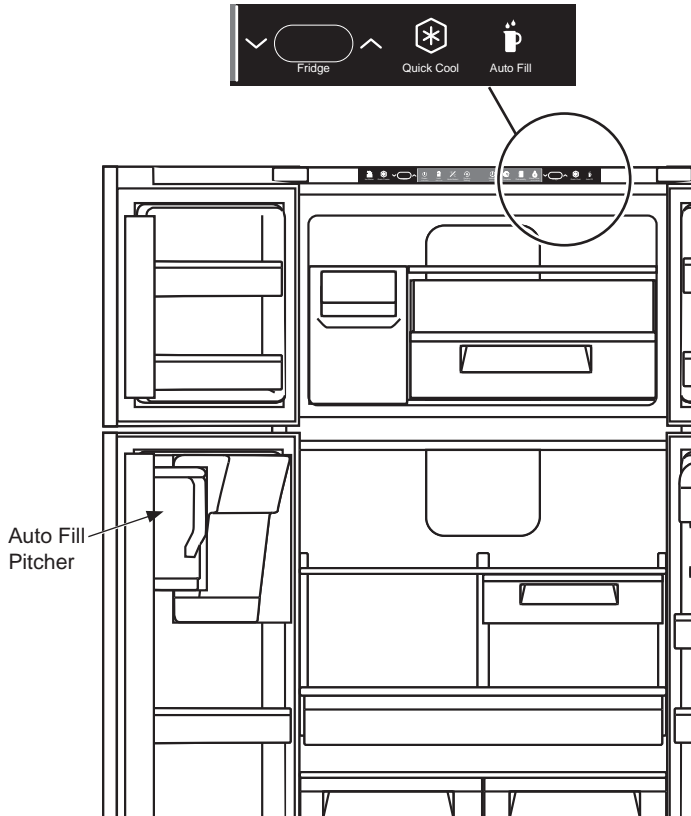
If necessary, remove the ice clogging the storage bin and delivery chute using a plastic utensil.

- Clean the ice delivery chute and the bottom of the ice storage bin using a warm, damp cloth, and then dry thoroughly.

Auto Fill Pitcher

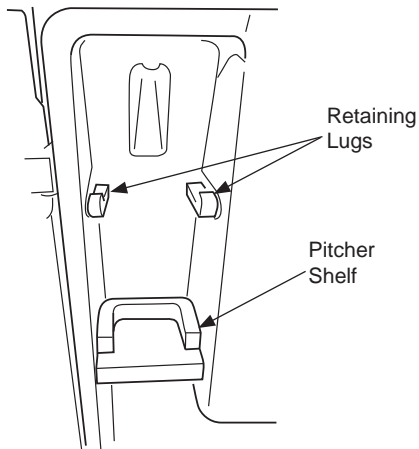
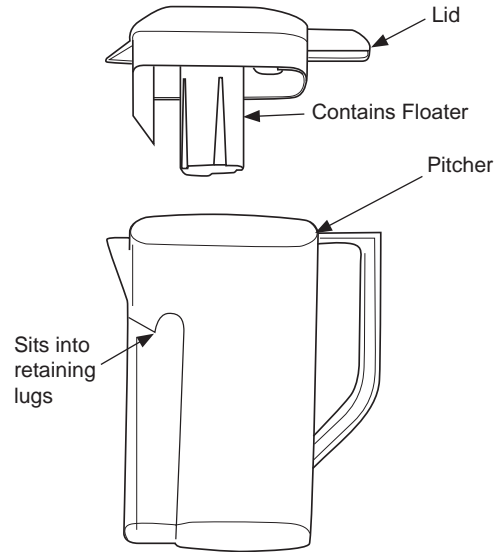
To enable the Auto Fill Pitcher, press the ICON marked **Auto Fill** on the control panel at the top of the freezer compartment and located behind the right freezer door.

The Auto Fill Pitcher mounts onto the inside of the left fresh food door. The pitcher sets on the pitcher shelf and hooks into the retaining lugs on each side. Once the door is closed, the pitcher will be automatically filled to a specified level.



To Clean the Auto Fill Pitcher

Both the pitcher and the lid are hand wash only (as printed on each piece) using warm water. Be sure to thoroughly rinse both parts after washing. It is important to ensure that the float contained within the pitcher lid is moving freely.



NOTE: Auto fill pitcher will not operate without either a water filter or a bypass plug installed.

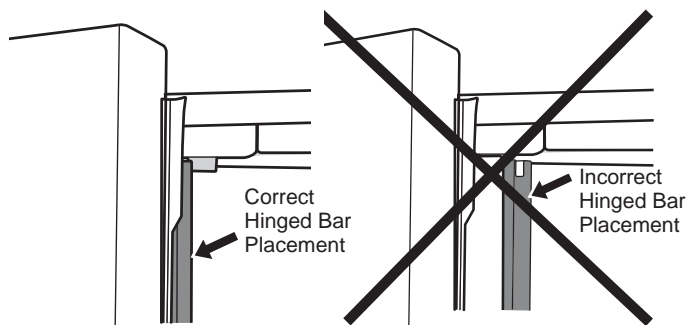
Doors

Opening and Closing Doors

There are two refrigerator compartment doors and two freezer compartment doors. The doors can be opened and closed either separately or together.

- There are vertically-hinged bars on the left-hand side doors.
- When closing a left-hand side door, the hinged bar folds behind the right-hand door, joining the two doors.

NOTE: Before closing the left-hand door, make sure the vertically-hinged bar is folded inward. If the bar is pulled outward it may become damaged when you try to close the door.



Storage Features

GALLON PLUS DOOR BIN

The Gallon Plus door bin is deep enough to store four 2L bottles.

ICE MAKER AND ICE STORAGE BIN

The ice maker is located on the left-hand side of the freezer compartment. Ice cubes are ejected from the ice maker and fall into the ice storage bin underneath.

IMPORTANT: To avoid low ice production and poor quality ice, flush the water system before turning on the ice maker. See “Water Dispenser.”

- Following installation, allow 24 hours to produce the first batch of ice. Discard the first three batches of ice produced.
- Allow 2 to 3 days for the ice storage bin to fill completely.
- The quality of your ice will be only as good as the quality of the water supplied to your ice maker. Avoid connecting the ice maker to a softened water supply. Water softener chemicals (such as salt) can damage parts of the ice maker and lead to poor quality ice. If a softened water supply cannot be avoided, make sure the water softener is operating properly and is well maintained.
- If the ice in the storage bin clumps together, break up ice using a plastic utensil and discard. Do not use anything sharp to break up the ice. This can cause damage to the ice bin and the dispenser mechanism.
- Only ice should be in the ice storage bin.

To Turn the Ice Maker On/Off:

- Press ICE MAKER. The Ice Maker icon will illuminate.
 - NOTE:** Your ice maker has an automatic shutoff. The sensor will automatically stop ice production if the storage bin is full, if the door is open, or the storage bin is removed. The control will remain On.
- To manually turn off the ice maker, press ICE MAKER. The Ice Maker icon will turn off.

To Remove and Replace the Ice Storage Bin:

- Remove the ice storage bin by inserting your fingers into the opening and pulling the storage bin straight out from the compartment.
- Replace the storage bin inside the ice making compartment and push down to make sure it is firmly in place.

Ice Production Rate

- The ice maker should produce approximately 3 lbs (1.4 kg) of ice per day under normal operation.
- To increase ice production, press QUICK FREEZE on the Features section of the control panel.

Care and Cleaning

⚠ WARNING **EXPLOSION HAZARD**

Keep flammable materials and vapors, such as gasoline, away from refrigerator. Failure to do so can result in fire, explosion, or death.

⚠ WARNING **ELECTRICAL SHOCK HAZARD**

Unplug your appliance or disconnect power before cleaning. Failure to do so can result in death, electric shock or personal injury.

Both the refrigerator and freezer sections defrost automatically. However, clean both sections about once a month to avoid buildup of odors. Wipe up spills immediately.

Because air circulates between both sections, any odors formed in one section will transfer to the other. You must thoroughly clean both sections to eliminate odors. To avoid odor transfer and drying out of food, wrap or cover foods tightly.

IMPORTANT:

- Do not use harsh chemicals, ammonia, chlorine bleach, concentrated detergent, solvents, abrasives or metal scouring pads to clean your product inside or out. They can damage and/or discolor the refrigerator finish.

⚠ CAUTION

Do not clean glass shelves with warm water when they are cold. Glass shelves may break if exposed to sudden temperature changes or impact such as bumping or dropping. Tempered glass is designed to shatter into many small pieces if it breaks.

Do not wash any plastic refrigerator parts in the dishwasher.

Cleaning

1. Unplug refrigerator or disconnect power.
2. Using a clean sponge or soft cloth and a mild detergent dissolved in warm water, wash removable parts and the interior surfaces. Rinse well and dry thoroughly.
3. Clean the exterior surfaces.

Painted metal: Wash painted metal exteriors with a clean, soft cloth or sponge and a mild detergent in warm water. Rinse surfaces with clean, warm water and dry immediately to avoid water spots.

Stainless steel: Stainless steel is corrosion resistant and not corrosion-proof. To help avoid corrosion of your stainless steel, wash stainless steel surfaces with a clean, soft cloth or sponge and a mild detergent in warm water. Rinse surfaces with clean, warm water and dry immediately to avoid water spots.

NOTE: When cleaning stainless steel, always wipe in the direction of the grain to avoid cross-grain scratching.

4. Clean the door gaskets every 3 months. Using a clean sponge or soft cloth and a mild detergent dissolved in warm water, wash the gaskets. Rinse well and dry thoroughly. Lightly apply petroleum jelly to the hinge side of the gaskets to keep the gasket pliable and assure a good seal.

NOTE: Clean gaskets will maintain a better seal than dirty gaskets.

5. Plug in refrigerator or reconnect power.

Lights

The interior lights of the refrigerator start flashing when one or more doors are open for longer than 5 minutes.

IMPORTANT: Your refrigerator is equipped with LED lighting. These lights are designed to last for the life of your refrigerator. However, if the lights stop operating, please contact a qualified technician for replacement.

Preparing for Vacation

If you will be gone for an extended period of time and do not want to leave your refrigerator on while you are away, prepare it for your absence.

1. Remove all items from the refrigerator and freezer compartments. Remove ice from the ice storage bin and use up or freeze elsewhere.
2. Unplug refrigerator or disconnect power.

3. Clean refrigerator. Rinse and dry thoroughly.
4. Clean door and/or drawer gaskets. See Cleaning section.
5. Tape rubber or wood blocks to the top of the door(s) and/or drawer(s) to allow air to circulate inside. This stops odor and mold from building up.

Care and Cleaning

Preparing to Move

▲ CAUTION LIFTING HAZARD

Use two or more people to move and install refrigerator. Failure to do so can result in back or other injury.

Secure all loose items such as shelves and drawers by taping them securely in place to prevent damage.

When using a hand truck to move the refrigerator, do not rest the front or back of the refrigerator against the hand truck. This could damage the refrigerator.

Handle only from the sides of the refrigerator.

Be sure the refrigerator stays in an upright position during moving.

Cleaning the Condenser

▲ WARNING To reduce the risk of death or electric shock, you must follow these instructions:

- Unplug the refrigerator before removing any panels.
- Do not contact or damage any wiring while the panel is removed.
- Replace all parts and panels before plugging the refrigerator back in.

Periodically, the condenser of the refrigerator will become covered with dust and dirt. This can make your refrigerator cool less effectively and use more energy.

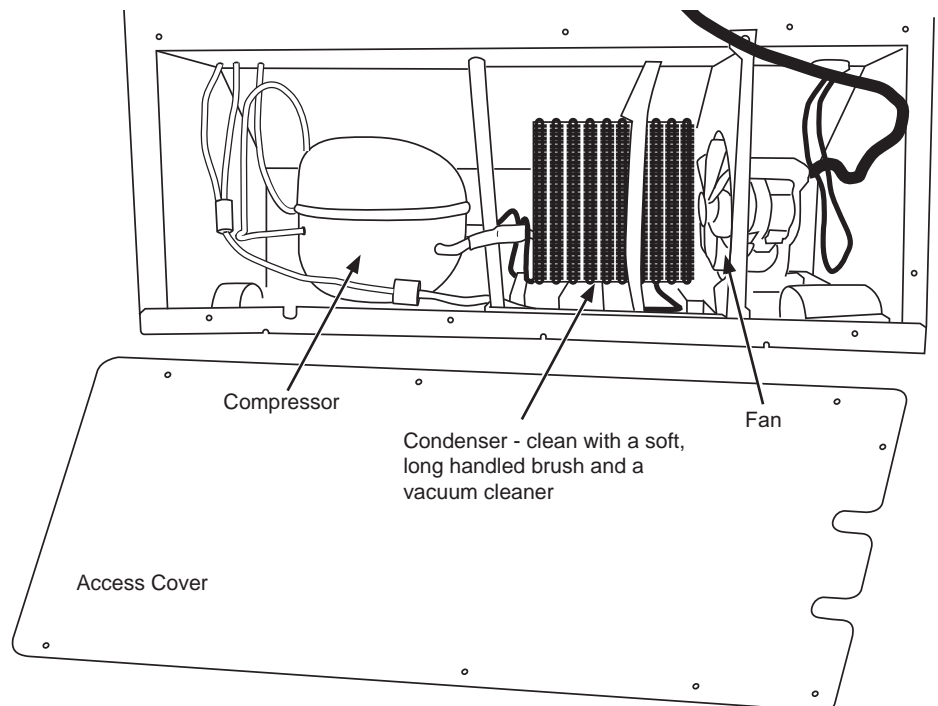
You can improve the refrigerators' performance by cleaning the condenser. It is located at the back of your refrigerator, at the bottom, behind the access cover.

Cleaning the condenser requires a phillips screwdriver, vacuum cleaner and soft brush with a long handle.

To clean the condenser:

1. Turn off the refrigerator.
2. Turn the leveling legs at each front corner of the refrigerator counterclockwise until the rollers support the refrigerator.
3. Roll the refrigerator out far enough so you can get behind it at the bottom. Be sure not to pull out any water lines connected to your refrigerator.
4. **Unplug the refrigerator.**
5. Use the Phillips head screwdriver to remove the screws securing the cover to the refrigerator.

6. Locate the condenser. It is between the compressor and the fan. It is a black square shape made of tubes with fins.
7. Vacuum the condenser. Use the brush to gently loosen dust and dirt from the gaps and fins of the condenser.
8. Once the condenser is clean, reinstall the access cover, replacing all screws.
9. Plug in the refrigerator.
10. Return it to its normal position. Turn the legs clockwise until the legs again bear the weight of the refrigerator. Also level the refrigerator as required.
11. Turn the refrigerator back on. Check to see if the refrigerator begins operating.



Installation Instructions

Refrigerator G6S28TSLSS Models

Questions? Call 800.GE.CARES (800.432.2737) or visit our Website at: GEAppliances.com

BEFORE YOU BEGIN

Read these instructions completely and carefully.

- **IMPORTANT** — Observe all governing codes and ordinances. Save these instructions for local inspector's use.
- **Note to Installer** – Be sure to leave these instructions with the Consumer.
- **Note to Consumer** – Keep these instructions for future reference.
- **Skill level** – Installation of this appliance requires basic mechanical skills.
- **Completion time :**
Refrigerator Installation can vary
Water Line Installation 30 minutes
- Proper installation is the responsibility of the installer.
- Product failure due to improper installation is not covered under the Warranty.

WATER PRESSURE

IMPORTANT: A cold water supply with water pressure between 30 and 120 psi (207 and 827 kPa) is required to operate the ice maker.

NOTE: If the water pressure is less than what is required, ice cubes could be hollow or irregular shaped.

If you have questions about your water pressure, call a licensed, qualified plumber.

Reverse Osmosis Water Supply

If a reverse osmosis water filtration system is connected to your cold water supply, the water pressure to the reverse osmosis system needs to be a minimum of 40 to 60 psi (276 to 414 kPa).

If the ice maker is still not operating properly:

- Check to see whether the sediment filter in the reverse osmosis system is blocked. Replace the filter if necessary.
- Allow the storage tank on the reverse osmosis system to refill after heavy usage.

REFRIGERATOR LOCATION

- Do not install the refrigerator where the temperature will go below 55°F (12.7°C) because it will not run often enough to maintain proper temperatures.
- Do not install the refrigerator where the temperature will go above 100°F (37°C) because it will not perform properly.
- Do not install the refrigerator in a location exposed to water (rain, etc.) or direct sunlight.
- Install it on a floor strong enough to support it fully loaded.

⚠ CAUTION LIFTING HAZARD

Use two or more people to move and install refrigerator. Failure to do so can result in back or other injury.

Your refrigerator is heavy. When moving the refrigerator for cleaning or service, be sure to cover the floor with cardboard or hardboard to avoid floor damage. Always pull the refrigerator straight out when moving it. Do not wiggle or walk the refrigerator when trying to move it, as floor damage could occur.

WATER SUPPLY REQUIREMENTS

IMPORTANT

- If you turn the refrigerator on before the water line is connected, DO NOT turn ice maker function ON until water line is connected.
- All installations must meet local plumbing code requirements.
- Use copper tubing and check for leaks. Install copper tubing only in areas where the household temperatures will remain above freezing.

CLEARANCES

Allow a 2" (50mm) back clearance for ease of installation, proper air circulation and plumbing and electrical connections.

Installation Instructions

PREPARATION

Measure the width of your doorway to see whether or not you need to remove the refrigerator doors to move the refrigerator into or out of your home. If removing the doors is necessary, refer to the following instructions. The graphics illustrating the steps show the doors on the left-hand side.

IMPORTANT:

- For a new installation, do NOT remove the film covering the door finish. The film helps shield the finish from scratches.
- If the refrigerator was previously installed and you are moving it out of the home, remove any items, and bins from the doors.

WATER SUPPLY TO THE ICE MAKER

If the refrigerator has an ice maker, it will have to be connected to a cold water line. A GE Appliances water supply kit (containing tubing, shutoff valve, fittings and instructions) is available at extra cost from your dealer, by visiting our website at GEAppliances.com or from Parts and Accessories, 888.959.8688.

IMPORTANT:

- Unplug refrigerator or disconnect power.
- Keep the doors closed until you are ready to lift them free from the cabinet.
- Provide additional support for the doors while the hinges are being removed. Do not depend on the door gasket magnets to hold the door in place while you are working.

REMOVE PACKAGING

- Remove tape and glue residue from surfaces before turning on the refrigerator. Rub a small amount of liquid dish soap over the adhesive with your fingers. Wipe with warm water and dry.

NOTE: Do not use sharp instruments, rubbing alcohol, flammable fluids, or abrasive cleaners to remove tape or glue. These products can damage the surface of your refrigerator. For more information, see Care and Cleaning section

- Dispose of/recycle all packaging materials.

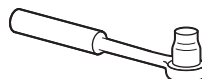
TOOLS YOU MAY NEED



1/4" Nut Driver



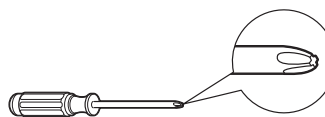
Flat-Head Screwdriver



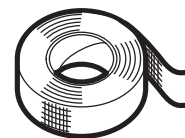
8 & 10 mm Socket Wrench



Needle-nose Pliers



Phillips-Head Screwdriver



Masking Tape

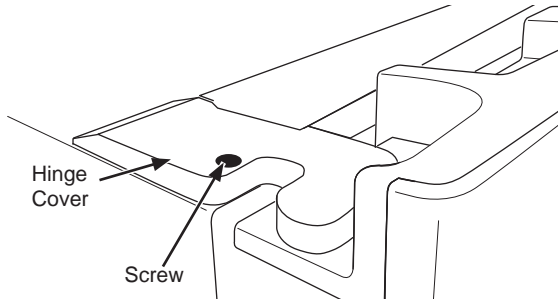
Installation Instructions

INSTALLING THE REFRIGERATOR

1 REMOVE THE FREEZER DOORS (if needed)

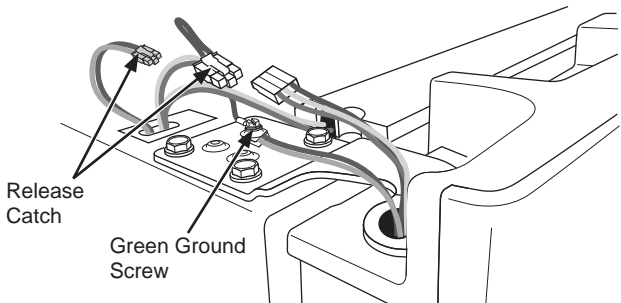
NOTE: Unplug refrigerator before removing doors.

- A. Starting with the **left-hand door**, use a 1/4" nut driver to remove the screw from the top hinge cover, and then remove the cover.



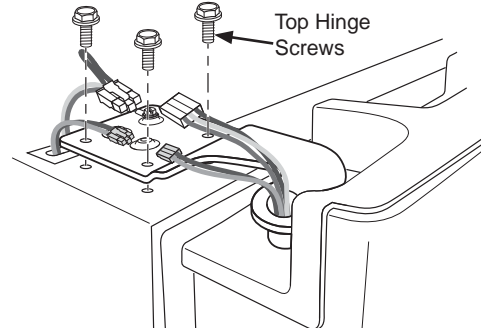
- B. Disconnect the wiring harness(es) under the hinge cover by pressing the release catch on the wire harness connector and pulling the ends apart.

NOTE: there are 2 wire harness connections under the left-hand top hinge cover, and 1 wire harness connection under the right-hand top hinge cover.



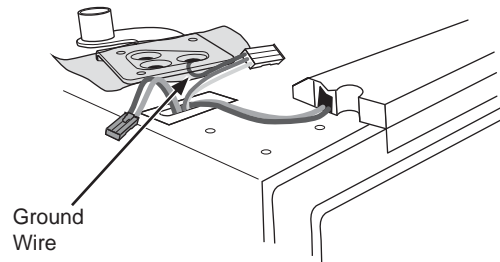
- C. Using a 10 mm socket wrench, remove three screws from the top hinge. **NOTE:** DO NOT remove the green ground screw.

- D. Lift up on the top hinge until the hinge pin is removed from the freezer door, and then gently pull the wires and wire harness connector through the hinge pin. **NOTE:** Do not tug on the wires or connector(s) as you pull them through the hinge pin.



- E. Partially open the freezer door and lift the door off of the center hinge pin. Place the door on a soft, covered surface to avoid damage to the finish.

- F. Tape the hinge to the top of the refrigerator cabinet to avoid possible damage to the cabinet finish, the hinge itself or the ground wire which is still attached.



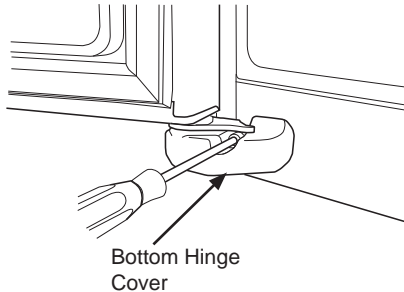
- G. Follow the preceding steps to remove the **right-hand** freezer door.

Installation Instructions

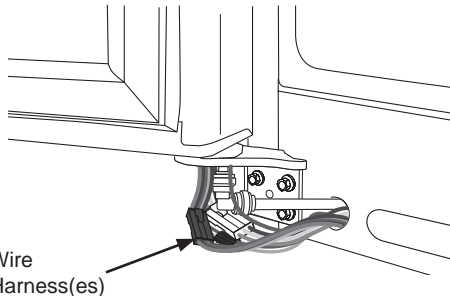
INSTALLING THE REFRIGERATOR (Continued)

2 REMOVE THE REFRIGERATOR DOORS

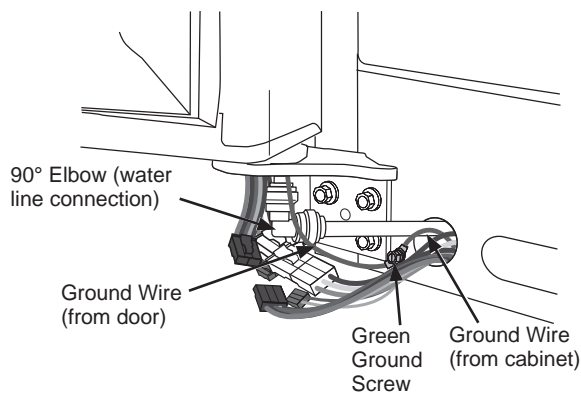
- A. Starting with the left-hand side, open the refrigerator door enough to allow easy access to the bottom hinge cover.
- B. Using a 1/4" nut driver, remove the screw from the bottom hinge cover, and then pull off the cover.



- C. Disconnect the wiring harness(es) by pressing the release catch on the wire harness connector and pulling the ends apart.
- NOTE:** There are 3 wire harness connections behind the left-hand, bottom hinge cover, and 1 wire harness connection behind the right-hand, bottom hinge cover.

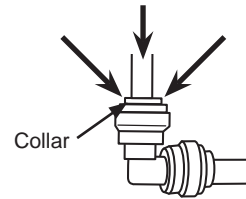


- D. Using a 1/4" nut driver, remove the ground screw. Separate the two ground wires so that the ground wire coming from the door can later be easily pulled through the bottom hinge pin.

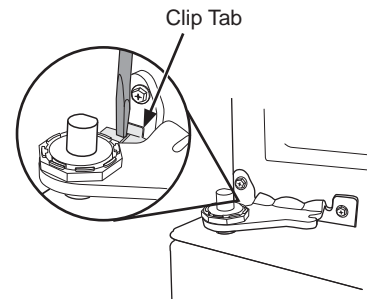


- E. Gently grasp the section of the water line that is coming from the door. Press down on the collar of the 90° elbow connector to release the water line, and then gently pull the water line from the elbow connector.

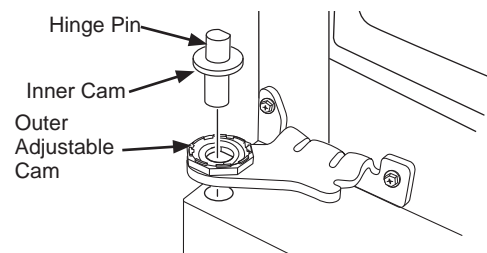
IMPORTANT: The water line **MUST** be disconnected from the door end of the connection to allow the water line to pass through the bottom hinge pin.



- F. Close the refrigerator door, so that the door gasket will help hold the door in place while you are removing the center hinge pin.
- G. Insert the tip of a flat-blade screwdriver between the hinge clip tab and the center hinge. Pry the hinge clip away from the hinge to disengage the clip from the hinge pin, and then remove the clip with your fingers and set it aside.



- H. Open the refrigerator door so that it is at a 90° angle to the cabinet.
 - I. Lift up to remove the hinge pin and inner cam. The inner cam will stay with the hinge pin.
- NOTE:** The outer adjustable cam will be resting freely on the center hinge. Remove the cam and keep it in a safe place. It will be needed to reinstall the center hinge.



Installation Instructions

INSTALLING THE REFRIGERATOR (Continued)

2 REMOVE THE REFRIGERATOR DOORS (Continued)

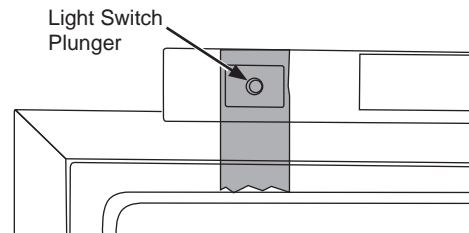
- J. Using two or more people, tilt the door slightly forward from underneath the center hinge. While continuing to hold the door upright, guide the wire harness(es), ground wire and water line through the bottom hinge pin.
 - K. Remove the refrigerator door and place it on a soft, covered surface to avoid damage to the finish.
 - L. Measure the depth of the refrigerator, without the doors, to determine whether or not it is necessary to remove the center and bottom hinges.
- NOTE:** There is no need to remove the center and bottom hinges from the cabinet, if you can now fit the refrigerator through the doorway.
- M. If needed, remove the center and bottom hinges to fit the refrigerator through the doorway.

NOTE:

- Center Hinge - Use a 8 mm socket wrench to remove the three screws.

- Bottom Hinge - Use a 10 mm socket wrench to remove the four screws.
- Do not dislodge the inner or outer adjustable cam from the bottom hinge.

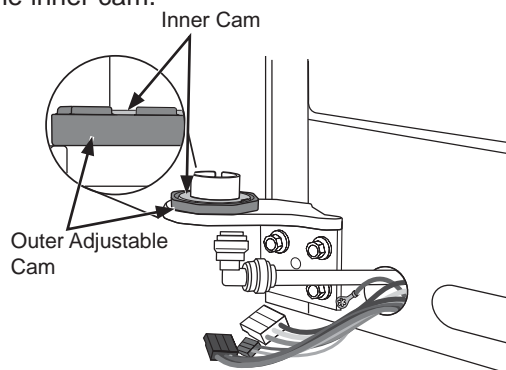
- N. Follow the preceding steps to remove the right-hand refrigerator door.
- O. Tape down the door light switch plungers, as shown, and protect the electrical wiring and water line connections to avoid damaging them when moving the refrigerator through the doorway.



- P. Move the refrigerator to its final location before replacing the doors.

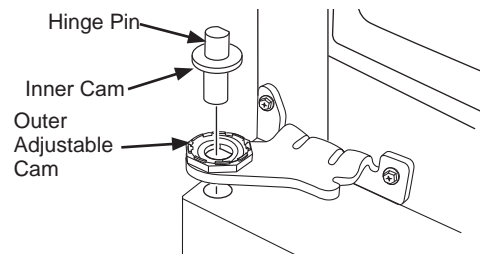
3 REPLACE THE REFRIGERATOR DOORS

- A. Remove the tape from the door light switch plungers, and if removed, reinstall the bottom and center hinges to the cabinet.
- B. Make sure the inner and outer cams are on the bottom hinge. Push down on the inner cam while turning the outer cam counterclockwise until it is level with the top of the inner cam.



- C. With one person holding the left-hand door, thread the electrical and water connections from the door through the bottom hinge pin.

- D. Set the refrigerator door onto the bottom hinge pin and close the door.
- E. Place the outer cam over the center hinge hole so that the smooth, flat side of the cam is against the center hinge.
- F. Holding the center hinge pin so that the groove in the pin is closer to the refrigerator door, align the flat side of the pin with the flat side of the hinge pin opening, and then insert the hinge pin through the hinge and into the top of the door. **NOTE:** Make sure the groove in the hinge pin is below the hinge bracket.



Installation Instructions

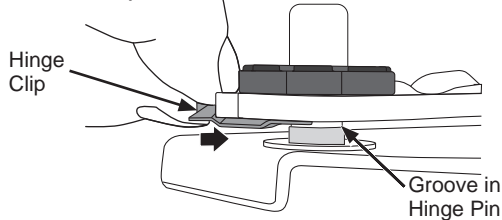
INSTALLING THE REFRIGERATOR (Continued)

3 REPLACE THE REFRIGERATOR DOORS (Continued)

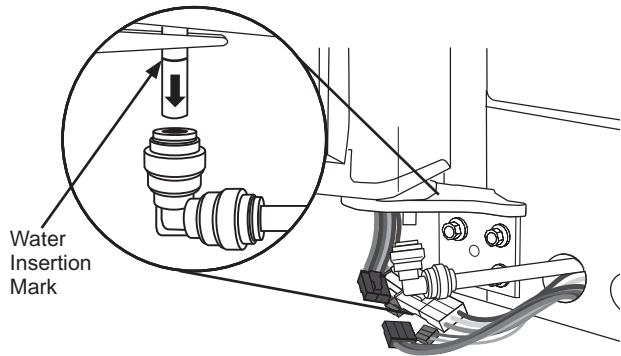
- G. Align the hinge clip so that the clip tab is facing the cabinet, and then insert the clip under the hinge and into the groove in the hinge pin.

NOTE: Check the placement of the hinge clip again to make sure it is completely in the hinge pin groove.

- H. Push down on the inner cam while turning the outer cam counterclockwise until it is level with the top of the inner cam.

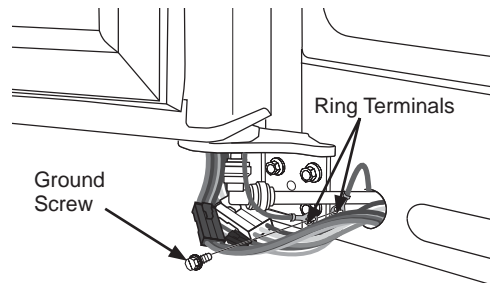


- I. Open the refrigerator door for easier access to the electrical and water connections at the bottom of the door.
- J. Insert the water line into the elbow connector until the top of the connector is aligned with the insertion mark. Gently tug on the water line to make sure it is fully seated in the connector.



- K. Reconnect the electrical harness(es) that are threaded through the bottom hinge pin.

- L. Overlap the ring terminals on the ground wires (one from the door and the other from the cabinet), and then reinstall the ground screw making sure both ring terminals are secured under the screw.



- M. Reinstall the bottom hinge cover, and close the refrigerator door.

- N. Replace the right-hand refrigerator door.

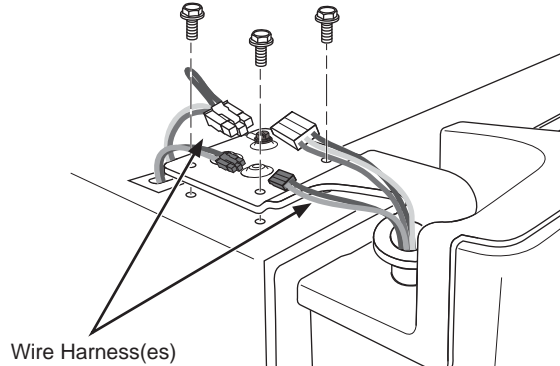
NOTE: The water line connects only through the left-hand refrigerator door.

Installation Instructions

INSTALLING THE REFRIGERATOR (Continued)

4 REPLACE THE FREEZER DOORS (Continued)

- A. Remove the tape attaching the left-hand, top hinge to the top of the cabinet.
- B. Place freezer door onto the center hinge pin, and close the door.
- C. Thread the wire harnesses from the door up through the top hinge pin and push the pin down into the door.
- D. Using the three screws removed earlier, reinstall the top hinge to the top of the refrigerator cabinet.
- E. Reconnect the wire harness(es), and gently tuck the connections under the top hinge cover. Reinstall the top hinge cover.
- F. Follow the preceding steps to replace the right-hand freezer door.



Installation Instructions

INSTALLING THE WATER LINE

BEFORE YOU BEGIN

Read these instructions completely and carefully.

WATER SUPPLY TO THE ICE MAKER

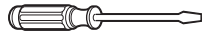
If the refrigerator has an ice maker, it will have to be connected to a cold water line. A GE Appliances water supply kit (containing tubing, shutoff valve, fittings and instructions) is available at extra cost from your dealer, by visiting our website at GEAppliances.com (in Canada at www.GEAppliances.ca) or from Parts and Accessories, 888.959.8688 (in Canada 1.800.661.1616).

- **IMPORTANT** — Plumbing shall be installed in accordance with the International Plumbing Code and any local codes and ordinances.
- The gray water tubing on the back of the refrigerator (which is used to connect to the household water line) is a PEX (cross-linked polyethylene) tube. Copper and PEX tubing connections from the household water line to the refrigerator are acceptable and will help avoid off-taste or odor in your ice or water. Check for leaks.
- Install tubing only in areas where temperatures will remain above freezing.

TOOLS NEEDED



1/4" Nut Driver



Flat-Head Screwdriver

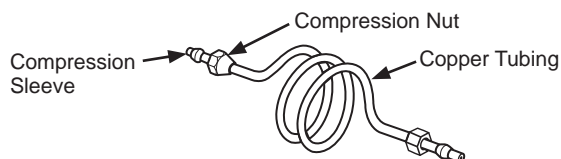


7/16" and 1/2" Open-end wrenches
or adjustable wrenches (2)

NOTE: Do not use a piercing-type or 3/16" (4.76 mm) saddle valve which reduces water flow and clogs easier.

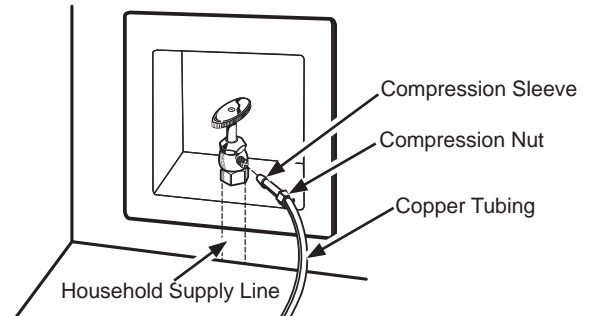
1 CONNECT TO WATER LINE

IMPORTANT: If you turn the refrigerator on before the water line is connected, **DO NOT** turn the ice maker or auto fill functions on to avoid excessive noise or damage to the water valve.



1 CONNECT TO WATER LINE (Continued)

- A. Unplug refrigerator or disconnect power.
- B. Turn OFF main water supply. Turn ON nearest faucet and let it run until there is no more water in the line.
- C. Use a quarter-turn shutoff valve or the equivalent, served by a 1/2" household supply line.
 - NOTE:** To allow sufficient water flow to the refrigerator, a minimum 1/2" (12.7 mm) size household supply line is recommended.
- D. Use 1/4" (6.35 mm) O.D. (outside diameter) soft copper tubing to connect the refrigerator to the water shutoff valve.
 - Use a length of soft copper tubing that is long enough to make the connection, and with enough allowance so that the refrigerator can be pulled out of the cabinet or away from the wall for service.
 - Make sure both ends of the copper tubing are cut square.
- E. Slip the compression sleeve and compression nut onto the copper tubing as shown. Insert the end of the tubing into the outlet end squarely as far as it will go. Screw compression nut onto outlet end with adjustable wrench. Do not over tighten.
- F. Place the free end of the tubing into a container or sink, and turn on main water supply to flush out tubing until water is clear. Turn off shutoff valve on the water pipe.
 - NOTE:** Always drain the water line before making the final connection to the inlet of the water valve to avoid possible water valve malfunction.
- G. Bend the copper tubing to meet the water line inlet, located on the back of the refrigerator cabinet.



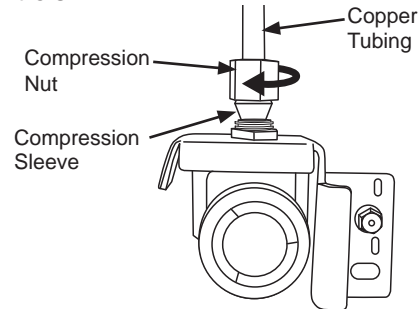
Installation Instructions

INSTALLING THE WATER LINE (Continued)

2 CONNECT TO REFRIGERATOR

- A. Remove plastic cap from water valve inlet port. Attach the copper tube to the valve inlet using a compression nut and sleeve as shown. Tighten the compression nut, but do not over tighten. Gently tug on the copper tubing to confirm that it is secure.
- B. Create a service loop with the copper tubing. Coil the tubing with care to avoid kinking the tubing.
- C. Open the shutoff valve to turn on water supply to refrigerator, and check for leaks. Tighten any connections (including connections at the shutoff valve) that leak.

- D. After completing the water connection, turn on the AUTO FILL and ICE MAKER features by pressing the respective icons on the controls



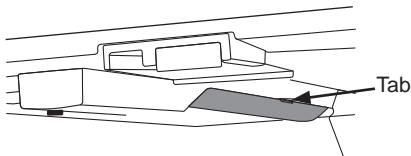
3 WATER FILTER

Do not use with water that is microbiologically unsafe or of unknown quality without adequate disinfection before or after the system. Systems certified for cyst reduction may be used on disinfected waters that may contain filterable cysts.

IMPORTANT: Ice maker, Water Dispenser and Auto Fill Pitcher features will not function without either a water filter or bypass plug installed.

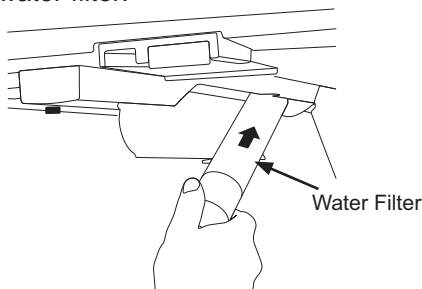
INSTALL WATER FILTER

- A. Take the water filter out of its packaging and remove the cover from the O-rings. Be sure the O-rings are still in place after the cover is removed.



- B. The water filter compartment is located in the refrigerator ceiling. Press in on the tab to open the filter access door.

- C. Align the water filter so that the tip of the water filter cartridge is toward the cartridge holder, and the word "Front" faces outward. Push the filter into the cartridge holder until it is fully engaged. **NOTE:** DO NOT twist the water filter.



- D. While continuing to press the filter into the cartridge holder, gently swing the filter upward until it is inside the filter housing.

NOTE: If the filter cartridge does not swing easily, make sure it is properly aligned and fully engaged in the holder. The dispenser and ice maker will not operate unless either a water filter or bypass plug is correctly installed.

- E. Flush air from the water system. See "Water Dispenser" for instructions on how to flush air from the water system.

NOTE: A newly installed water filter will cause water to spurt from the dispenser unless the air is removed from the water system.

WATER FILTER STATUS INDICATOR

The water filter should be replaced every six months or earlier if 170 gallons of water has been dispensed or the flow of water to the dispenser or ice maker decreases.

The Water Filter icon on the control panel will illuminate to indicate that it is time to replace the water filter. After replacing the water filter, press and hold the Water Filter control to reset the filter use tracking system. The indicator light will turn off when the system is reset. See "Control Panel."

Installation Instructions

INSTALLING THE WATER LINE (Continued)

3 WATER FILTER (Continued)

REPLACE WATER FILTER

To order a replacement water filter, visit **GEApplianceparts.com** or call GE Appliances at 877.959.8688.

- A. Press in on the tab to open the access door in the refrigerator ceiling.
- B. Gently pull on the bottom of the used water filter to allow the filter cartridge to swing down from the filter housing.
- C. When the filter cartridge is completely lowered, gently pull on the cartridge to remove it from the cartridge holder.

NOTE:

- DO NOT twist the water filter.
 - A small amount of water may drip from the filter or filter housing.
- D. Install the replacement water filter. See “Install Water Filter.”
 - E. After replacing the water filter, reset the Water Filter use tracking system. See “Water Filter Status Indicator.”

FILTER BYPASS PLUG

IMPORTANT:

- To reduce the risk of property damage due to water leakage, you **MUST** use the filter bypass plug when a replacement water filter cartridge is not available.
- The bypass plug is installed in the same way as the water filter cartridge.

ELECTRICAL CONNECTION

⚠ WARNING



ELECTRICAL SHOCK HAZARD

Plug into a grounded 3-prong outlet
 Do not remove the ground prong
 Do not use an adapter

Do not use an extension cord.
 Failure to follow these instructions can result in death, fire, or electrical shock.

NOTE: Allow 24 hours to produce the 1st batch of ice. Discard the first three batches of ice produced. Allow 3 days to completely fill ice container.

1. Plug into a grounded 3 prong outlet.
2. Allow the refrigerator to cool for several hours before adding food.

Installation Instructions

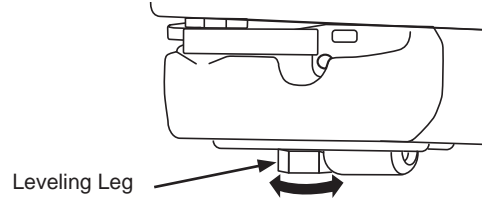
LEVEL REFRIGERATOR (if needed)

The refrigerator must be level to maintain optimal performance and appearance, and to avoid excess vibration and noise.

1. Move the refrigerator to its final location on a flat, even floor.
2. Turn the leveling leg on the bottom, front of the cabinet to raise or lower that side of the refrigerator until the refrigerator is level side-to-side.
 - To Raise: Turn Clockwise
 - To Lower: Turn Counterclockwise

NOTE:

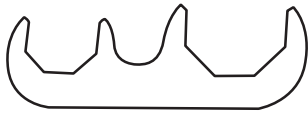
- Having someone push against the top of the refrigerator takes some weight off the leveling legs, so they will be easier to turn.
- The refrigerator doors will close easier if the front of the refrigerator is slightly raised. To maintain level, raise both legs the same distance.



ALIGN DOORS (if needed)

When the doors are properly aligned, the width of the vertical space between the doors is even, and the tops of the doors appear level. When the doors are removed and replaced on the refrigerator they may become misaligned, and appear angled or uneven. You can adjust the height of each door to bring it back into proper alignment.

Door Adjustment Tool is provided:



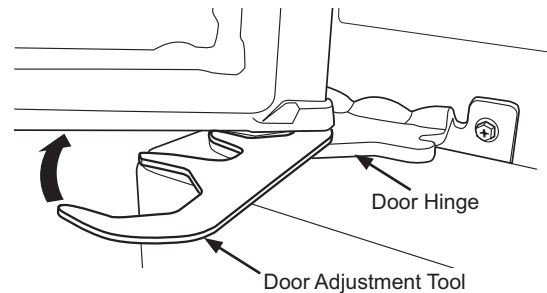
The door alignment procedure consists of multiple small adjustments.

IMPORTANT: Because the doors are replaced onto the hinges at the lowest position, they cannot be lowered. You **MUST** raise the lower door of each door pair until it is even with the higher door.



- To raise the height of a freezer door: Make the adjustment at the center hinge - Use the smaller 5-sided opening in the Door Adjustment tool.
- To raise the height of a refrigerator door: Make the adjustment at the bottom hinge - Use the larger 5-sided opening in the Door Adjustment tool.

1. Identify the lower door of the pair and open it to access the inner side of the door hinge.
2. Working from inside the open door, insert the door adjustment tool around the outer cam just above the door hinge.



3. Using a clockwise motion, turn the adjustable outer cam until it meets the door stop and can no longer turn. Remove the tool.
4. Close the door to see whether or not the two doors are now level. If they are not level, continue adjusting the lower door, checking between each adjustment, until the lower door is aligned and level with the higher door.

Troubleshooting Tips... Before you call for service

Save time and money! Review the charts on the following pages first and you may not need to call for service.

Problem	Possible Causes	What to Do
Refrigerator does not run	Refrigerator is unplugged.	Plug into a grounded 3 prong outlet.
	Circuit breaker is tripped/turned off or the fuse is blown.	Reset / Turn on circuit breaker or replace fuse.
	Refrigerator is in defrost mode.	Wait approximately 40 minutes for defrost cycle to end, and the cooling system to restart.
	Refrigerator is in Showroom mode (the word "Showroom" is illuminated on the control panel).	Exit Showroom mode by pressing and holding the °F/°C Units Select and the Sabbath controls at the same time for 3 seconds.
	Power was turned off at the control panel (Power icon is illuminated red).	Press and hold POWER for 3 seconds (Power icon will illuminate green).
Refrigerator compressor runs frequently or for long periods of time. NOTE: This refrigerator is designed to run for longer periods of time at a lower energy usage.	Refrigerator is first plugged in.	This is normal. Allow 24 hours for the refrigerator to cool down.
	Warm food or large amounts of food added.	This is normal.
	Door is blocked open.	Rearrange or remove items that are keeping the door from closing completely.
	Hot weather or frequent openings	This is normal. Limit door openings
	Temperature control set to coldest setting.	Adjust temperature to a warmer setting.
Refrigerator has an odor	Food is not sealed or packaged properly.	Reseal packaging. Place an opened box of baking soda in the refrigerator, replace every 3 months.
	Interior needs to be cleaned.	Clean the interior. See "Cleaning."
	Food stored too long.	Dispose of spoiled food.
Light does not come on	Refrigerator is unplugged.	Plug into a grounded 3 prong outlet.
	LED light is burned out.	Contact a qualified technician to replace the burned out LED.
	Sabbath Mode is activated.	Lights are disabled in Sabbath mode. To turn on lights you must turn off Sabbath Mode. See "Sabbath Mode" for instructions.
Interior lights are flashing	One or more doors have been left open for longer than 5 minutes.	Make sure all four doors are closed.
Doors do not close properly	Refrigerator is not level.	Level the refrigerator. See "Leveling."
	Door is blocked open.	Rearrange or remove items that are keeping the door from closing completely.
Vibration or rattling	Refrigerator is not resting firmly on floor.	Level the refrigerator. See "Leveling."
It sounds like water is flowing from the refrigerator.	Refrigerant flowing in the lines will make this sound when the compressor starts and stops.	This sound is normal.
	The refrigerator has an automatic defrosting system. The defrosted water will make this sound.	This sound is normal.

Troubleshooting Tips... Before you call for service

Problem	Possible Causes	What to Do
Humming or buzzing sounds	The compressor and fans for cold air circulation can make this sound.	This sound is normal.
Cracking or clicking sounds	The interior parts will make this sound as they contract and expand in response to temperature changes.	This sound is normal.
The ice maker is not producing ice, enough ice, or hollow cubes	Ice maker is not turned on.	Turn on the ice maker at the control panel. The ice maker icon will illuminate.
	The refrigerator is in Sabbath mode (the Sabbath icon is illuminated).	Press and hold the Sabbath control for 3 seconds to turn off Sabbath mode.
	New installation	Wait 24 hours after installation for ice production to begin.
	Kink in the water line	Straighten the water source line.
	Water filter or bypass plug is not installed	Install water filter or bypass plug
	Inadequate water pressure	Contact a licensed, qualified plumber.
Dispenser is not operating properly	Refrigerator is not connected to a cold water pipe.	Make sure the refrigerator is connected to a cold water pipe.
	Not connected to water supply or water shutoff valve not opened.	Connect refrigerator to a water supply and turn the water shutoff valve fully open.
	Removed the door recently.	Make sure the dispenser water tubing and wire harness have been properly reconnected.
	Inadequate water pressure	The water pressure to the home determines the flow from the dispenser. The water pressure must be at least 30 psi (207 kPa).
Water is leaking from the dispenser	Refrigerator door is ajar.	Check for obstructions, and close the door firmly.
	Glass is not held under the dispenser long enough.	Hold the glass under the dispenser 2 to 3 seconds after releasing the dispenser lever. It is normal for the dispenser to continue to dispense a couple drops of water after the lever is released.
Water from the dispenser is warm	New installation or recently replaced water filter.	Flush the water system by dispensing water for 5 minutes.
	Water has not been dispensed recently.	The first glass of water may not be cool. Discard the first glass of water.
No water in the Auto fill pitcher	Dispensed a large amount of water recently.	Allow 24 hours for water to cool completely.
	Auto Fill feature is not turned on	Turn on the Auto Fill feature at the control panel. The Auto Fill icon will illuminate.

Troubleshooting Tips... Before you call for service

Problem	Possible Causes	What to Do
Refrigerator or freezer is too warm.	Temperature control is not set cold enough.	Adjust the compartment to a colder setting; allow 24 hours for the temperature to adjust.
	Door opened frequently or left ajar.	Limit door openings. Check for items keeping the door from closing completely.
	Warm food added recently.	Allow time for food and refrigerator to cool.
	Not enough space between the back of the refrigerator and the wall for the air to circulate properly.	Allow 2" (5 cm) space between the back of the refrigerator and the wall.
	Items against rear interior wall are blocking airflow.	Store items only inside the trim of the glass shelves; don't place items against sides of the compartments or directly in front of any vents.
Refrigerator or freezer is too cold.	Temperature control is set too cold.	Adjust temperature to the next less cold setting. Allow 24 hours for temperature to stabilize.
Moisture on exterior/interior of refrigerator	High humidity	This is normal during times of high humidity. Dry surface and adjust temperature to slightly colder setting.
	Door opened frequently or left ajar.	Limit door openings. Check for items keeping the door from closing completely.
	Open container of liquid in refrigerator	Cover or seal container.
Water droplets on the flipper mullion (hinged bar on the left hand door)	High humidity in the house.	Turn on the Dehumidify function. See "Feature Controls."
Frost or ice crystals on frozen food	Door opened frequently or left ajar.	Limit door openings. Check for items keeping the door from closing completely.
	Items blocking freezer air vents are preventing proper air flow.	Move items away from rear interior wall.
Food freezing in refrigerator	Items placed too close to the air vents.	Move items away from back and top of the refrigerator.
	Temperature control set too cold.	Adjust the temperature to a less cold setting.

GE Appliances Refrigerator Warranty

WARRANTY

GEAppliances.com

All warranty service is provided by our Factory Service Centers, or an authorized Customer Care® technician. To schedule service online, visit us at www.geappliances.com, or call GE Appliances at 800.GE.CARES (800.432.2737). Please have your serial number and your model number available when calling for service.

For the Period of:	GE Appliances Will Replace
One Year From the date of the original purchase	Any part of the refrigerator which fails due to a defect in materials or workmanship. During the limited one-year warranty , GE Appliances will also provide, free of charge , all labor and related service to replace the defective part.

What GE Appliances Will Not Cover:

- Service trips to your home to teach you how to use the product.
- Improper installation, delivery or maintenance.
- Failure of the product if it is abused, misused, or used for other than the intended purpose or used commercially.
- Loss of food due to spoilage.
- Replacement of house fuses or resetting of circuit breakers.
- Damage to finish, such as surface rust, tarnish, or small blemishes not reported within 48 hours of delivery.
- Replacement of the water filter cartridge, if included, due to water pressure that is outside the specified operating range or due to excessive sediment in the water supply.
- Replacement of the light bulbs, if included, or water filter cartridge, if included, other than as noted above.
- Damage to the product caused by accident, fire, floods or acts of God.
- Incidental or consequential damage caused by possible defects with this appliance.
- Product not accessible to provide required service.
- Damage caused by a non-GE Appliances Brand water filter.

EXCLUSION OF IMPLIED WARRANTIES

Your sole and exclusive remedy is product repair as provided in this Limited Warranty. Any implied warranties, including the implied warranties of merchantability or fitness for a particular purpose, are limited to one year or the shortest period allowed by law.

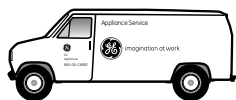
This warranty is extended to the original purchaser and any succeeding owner for products purchased for home use within the USA. If the product is located in an area where service by a GE Appliances Authorized Servicer is not available, you may be responsible for a trip charge or you may be required to bring the product to an Authorized GE Appliances Service location for service. In Alaska, the warranty excludes the cost of shipping or service calls to your home.

Some states do not allow the exclusion or limitation of incidental or consequential damages. This warranty gives you specific legal rights, and you may also have other rights which vary from state to state. To know what your legal rights are, consult your local or state consumer affairs office or your state's Attorney General.

Warrantor: GE Appliances, a Haier company

Staple your receipt here. Proof of the original purchase date is needed to obtain service under the warranty.

RPWFE Water Filter Cartridge Limited Warranty.



Contact us at www.geapplianceparts.com,
or call 800.GE.CARES.

Staple your receipt here. Proof of the original purchase date is needed to obtain service under the warranty.

For The Period Of:	We Will Replace, At No Charge To You:
Thirty Days From the date of the original purchase	Any part of the water filter cartridge which fails due to a defect in materials or workmanship during this limited thirty-day warranty.*

What is Not Covered:

- Service trips to your home to teach you how to use the product.
- Improper installation.
- Failure of the product if it is abused, misused, used for other than the intended purpose or used commercially.
- Replacement of house fuses or resetting of circuit breakers.
- Replacement of the water filter cartridge due to water pressure that is outside the specified operating range or due to excessive sediment in the water supply.
- Damage to the product caused by accident, fire, floods or acts of God.
- Incidental or consequential damage caused by possible defects with this appliance.

This warranty is extended to the original purchaser and any succeeding owner for products purchased for home use within the U.S.A. In Alaska, the warranty excludes the cost of shipping or service calls to your home. Some states do not allow the exclusion or limitation of incidental or consequential damages. This warranty gives you specific legal rights, and you may also have other rights which vary from state to state. To know what your legal rights are, consult your local or state consumer affairs office or your state's Attorney General.

For Purchases Made In Iowa: This form must be signed and dated by the buyer and seller prior to the consummation of this sale.

This form should be retained on file by the seller for a minimum of two years.

Buyer:

Name

Address

City State Zip

Signature Date

Seller:

Name

Address

City State Zip

Signature Date

*If your GE part fails because of a manufacturing defect within thirty days from the date of original purchase for use, we will give you a new or, at our option, a rebuilt part without charge. Return the defective part to the parts supplier from whom it was purchased together with a copy of the "proof of purchase" for the part. If the part is defective and shows no signs of abuse, it will be exchanged. The warranty does not cover the failure of parts which are damaged while in your possession, are abused, or have been installed improperly. It does not cover the cost of returning the part to the supplier from whom it was purchased nor does it cover the cost of labor to remove or install it to diagnose the fault. It does not cover parts used in products in commercial use except in the case of air conditioning equipment. In no event shall GE be liable for consequential damages. Warrantor: General Electric Company

EXCLUSION OF IMPLIED WARRANTIES: Your sole and exclusive remedy is part exchange as provided in this Limited Warranty. Any implied warranties, including the implied warranties of merchantability or fitness for a particular purpose, are limited to six months or the shortest period allowed by law.

Performance Data Sheet

Model: GE RPWFE

Use Replacement Cartridge RPWFE.

The concentration of the indicated substances in water entering the system was reduced to a concentration less than or equal to the permissible limit for water leaving the system as specified in NSF/ANSI Standard 42 and Standard 53. System tested and certified by NSF International against NSF/ANSI Standard 42 and Standard 53 for the reduction of substances listed below.

Capacity 170 Gallons (643.5 Liters). Contaminant Reduction Determined by NSF testing.

Substance Tested for Reduction	Average Influent	NSF specified Challenge Concentration	Avg % Reduction	Average Product Water Concentration	Max Permissible Product Water Concentration	NSF Reduction Requirements	NSF Test Report
Chlorine Taste and Odor	2.0 mg/L	2.0 mg/L ± 10%	97.4%	0.05 mg/L	N/A	≥50%	J-00102044
Nominal Particulate Class I, ≥0.5 to < 1.0 µm	7,633,333 pts/mL	At least 10,000 particles/mL	99.0%	71,850 pts/ml	N/A	≥85%	J-00106249
Asbestos	109 MFL	10 ⁷ to 10 ⁸ fibers/L; fibers greater than 10µm in length	99.99%	<1 MFL	N/A	≥99%	J-00102069
Atrazine	0.009 mg/L	0.009 mg/L ± 10%	94.4%	0.0005 mg/L	0.003 mg/L	N/A	J-00102058
Benzene	0.016 mg/L	0.015 mg/L ± 10%	96.4%	0.001 mg/L	0.005 mg/L	N/A	J-00102065
Carbofuran	0.08 mg/L	0.08 mg/L ± 10%	98.8%	0.001 mg/L	0.04 mg/L	N/A	J-00102059
Cyst*	104,750 cysts/L	Minimum 50,000 cysts/L	99.99%	3 cyst/L	N/A	≥99.95%	J-00102057
Lead pH @6.5	0.140 mg/L	0.15 mg/L ± 10%	99.3%	0.001 mg/L	0.010 mg/L	N/A	J-00102052
Lead pH @8.5	0.158 mg/L	0.15 mg/L ± 10%	98.3%	0.002 mg/L	0.010 mg/L	N/A	J-00102053
Mercury @ pH 6.5	0.006 mg/L	0.006 mg/L ± 10%	91%	0.0003 mg/L	0.002 mg/L	N/A	J-00102054
Mercury @ pH 8.5	0.006 mg/L	0.006 mg/L ± 10%	88.3%	0.0007 mg/L	0.002 mg/L	N/A	J-00104087
Lindane	0.002 mg/L	0.002 mg/L ± 10%	99%	0.00002 mg/L	0.0002 mg/L	N/A	J-00102063
P-Dichlorobenzene	0.222 mg/L	0.225 mg/L ± 10%	99.8%	0.0005 mg/L	0.075 mg/L	N/A	J-00102067
Toxaphene	0.015 mg/L	0.015 mg/L ± 10%	93.5%	0.001 mg/L	0.003 mg/L	N/A	J-00102061
2, 4-D Reduction	0.218 mg/L	0.210 mg/L±10%	99.9%	0.0001 mg/L	0.07 mg/L	N/A	J-00102064
VOC	0.278 mg/L	0.300 mg/L ± 10%	97.7%	0.0015 mg/L	N/A	≥95%	J-00102070

*Based on the use of Cryptosporidium parvum oocysts.

The following pharmaceutical reduction claims have not been certified by NSF International. Claims tested and verified by independent laboratory:

Substance Reduction	Average Influent	NSF specified Challenge Concentration	Avg % Reduction	Average Product Water Concentration	Max Permissible Product Water Concentration	NSF Test Report
Atenolol	1088 ng/L	N/A	99.5%	5.0 ng/L	N/A	J-00103221
Fluoxetine	845 ng/L	N/A	99.4%	5.0 ng/L	N/A	J-00103221
Ibuprofen	898 ng/L	N/A	98.8%	9.9 ng/L	N/A	J-00103726
Progesterone	945 ng/L	N/A	99.4%	5.5 ng/L	N/A	J-00103727
Trimethoprim	403 ng/L	N/A	99.5%	2.0 ng/L	N/A	J-00103221

Application Guidelines/Water Supply Parameters

Service Flow	0.5 gpm (1.89 lpm)
Water Supply	Potable Water

Water Pressure	25-120 psi (172- 827 kPa)
Water Temperature	33° F - 100° F (0.6° C - 38° C)

It is essential that the manufacturer's recommended installation, maintenance and filter replacement requirements be carried out for the product to perform as advertised. See Installation Manual for Warranty information.

Note: While the testing was performed under standard laboratory conditions, actual performance may vary.
Replacement Cartridge: RPWFE. For estimated costs of replacement elements please call 1-800-626-2002 or visit our website at www.geapplianceparts.com.

▲ WARNING

To reduce the risk associated with ingestion of contaminants:
 • Do not use with water that is microbiologically unsafe or of unknown quality without adequate disinfection before and after the system. Systems certified for cyst reduction may be used on disinfected water that may contain filterable cysts. EPA Establishment Number 070595-MEX-001.

NOTICE

To reduce the risk of water leakage or flooding, and to ensure optimal filter performance:

- Read and follow use instructions before installation and use of this system.
- Installation and use **MUST** comply with all state and local plumbing codes.

- Do not install if water pressure exceeds 120 psi (827 kPa). If your water pressure exceeds 80 psi, you **must** install a pressure-limiting valve. Contact a plumbing professional if you are uncertain how to check your water pressure.
- Do not install where water hammer conditions may occur. If water hammer conditions exist you **must** install a water hammer arrester. Contact a plumbing professional if you are uncertain how to check for this condition.
- Do not install on hot water supply lines. The maximum operating water temperature of this filter system is 100° F (38° C).
- Protect filter from freezing. Drain filter when temperatures drop below 33°F (0.6°C).
- Change the disposable filter cartridge every six months or sooner if you observe a noticeable reduction in water flow rate.
- Failure to replace the disposable filter cartridge at recommended intervals may lead to reduced filter performance and cracks in the filter housing, causing water leakage or flooding.



Tested and certified by NSF International against NSF/ANSI Standard 42 and Standard 53 in model GE RPWF and GE RPWFE for the reduction of the claims specified on the performance data sheet.

Consumer Support

GE Appliances Website

Have a question or need assistance with your appliance? Try the GE Appliances Website 24 hours a day, any day of the year! You can also shop for more great GE Appliances products and take advantage of all our on-line support services designed for your convenience. In the US: GEAppliances.com

Register Your Appliance

Register your new appliance on-line at your convenience! Timely product registration will allow for enhanced communication and prompt service under the terms of your warranty, should the need arise. You may also mail in the pre-printed registration card included in the packing material.

In the US: GEAppliances.com/register

Schedule Service

Expert GE Appliances repair service is only one step away from your door. Get on-line and schedule your service at your convenience any day of the year. In the US: GEAppliances.com/ge/service-and-support/service.htm or call 800.432.2737 during normal business hours. CANANDA

Extended Warranties

Purchase a GE Appliances extended warranty and learn about special discounts that are available while your warranty is still in effect. You can purchase it on-line anytime. GE Appliances Services will still be there after your warranty expires. In the US: GEAppliances.com/ge/service-and-support/shop-for-extended-service-plans.htm or call 800.626.2224 during normal business hours.

In Canada: GEAppliances.ca/en/support/purchase-extended-warranty or call 800.290.9029

Parts and Accessories

Individuals qualified to service their own appliances can have parts or accessories sent directly to their homes (VISA, MasterCard and Discover cards are accepted). Order on-line today 24 hours every day.

In the US: GEApplianceparts.com or by phone at 877.959.8688 during normal business hours.

Instructions contained in this manual cover procedures to be performed by any user. Other servicing generally should be referred to qualified service personnel. Caution must be exercised, since improper servicing may cause unsafe operation.

Contact Us

If you are not satisfied with the service you receive from GE Appliances, contact us on our Website with all the details including your phone number, or write to:

General Manager, Customer Relations | GE Appliances, Appliance Park | Louisville, KY 40225

GEAppliances.com/ge/service-and-support/contact.htm
