

# Haier

What The World Comes Home To™

## Use and Care Guide

Dehumidifier  
Déshumidificateur  
Deshumidificador

DE45M

DE45EM

DE65EM



DE Series Models:  
(Features will vary by model)  
Some models may have an  
additional letter after the  
model number.

Série DE Modèles:  
(Les caractéristiques varient  
selon les modèles)  
Sur certains modèles, le numéro  
de modèle peut être suivi d'une  
lettre.

Series DE Modelos:  
(Las características pueden  
variar con el modelo)  
Algunos de los modelos pueden  
tener una letra adicional después  
del número de modelo.

0010518316

DEHUMIDIFIER SAFETY .....	3
PRODUCT RECORDS.....	3
ELECTRICAL SAFETY .....	4
DEHUMIDIFIER CONTROLS.....	5, 6
PROPER USE AND CARE.....	6, 7
PARTS .....	7
TROUBLESHOOTING .....	8
WARRANTY .....	9
PRODUCT SPECIFICATIONS .....	10

SÉCURITÉ DU DÉSHUMIDIFICATEUR.....	11
ENREGISTREMENT DU PRODUIT.....	11
SÉCURITÉ ÉLECTRIQUE.....	12
COMMANDES DU DÉSHUMIDIFICATEUR.....	13, 14
CONSIGNES D'UTILISATION ET D'ENTRETIEN.....	14, 15
PIÈCES DÉTACHÉES.....	15
DÉPANNAGE.....	16
GARANTIE.....	17
CARACTÉRISTIQUES DU PRODUIT.....	18

SEGURIDAD DEL DESHUMIDIFICADOR.....	19
REGISTRO DEL PRODUCTO.....	19
SEGURIDAD ELÉCTRICA.....	20
CONTROLES DEL DESHUMIDIFICADOR.....	21, 22
USO Y CUIDADO ADECUADOS.....	22, 23
PARTES.....	23
SOLUCIÓN DE PROBLEMAS.....	24
GARANTÍA .....	25
ESPECIFICACIONES DEL PRODUCTO.....	26

# YOUR SAFETY IS IMPORTANT TO US.

PLEASE READ INSTRUCTIONS CAREFULLY BEFORE OPERATING DEHUMIDIFIER

Always take these basic precautions:

This dehumidifier must be properly installed and grounded as described in this manual.

Never operate this dehumidifier in an area that is likely to accumulate standing water. If this situation develops, disconnect the power supply before touching, stepping into, or attempting to clean up the water.

Repair and replace immediately all electric service cords that have become frayed or otherwise damaged. DO NOT use a power cord that shows signs of damage anywhere along its length, at the plug, or where it is connected to the appliance.

Always unplug dehumidifier before servicing or moving the unit.

## CAUTION

- DO NOT cover the dehumidifier's air vents.
- DO NOT allow children to climb on or play with the dehumidifier.
- ALWAYS contact a professional for service and repair.

WARNING: You can be killed or seriously injured if you do not follow the instructions in this manual. Please keep these instructions for future reference.

## THANK YOU...

... for purchasing this Haier appliance. This easy-to-use manual will help you get the best use out of your dehumidifier.

Please record the model number, serial number, and store information here. The model and serial numbers can be located inside the unit after removing the bucket.

Staple your receipt to this manual. You will need it to obtain warranty service.

\_\_\_\_\_

Model Number

\_\_\_\_\_

Serial Number

\_\_\_\_\_

Date of Purchase

\_\_\_\_\_

Store Name

\_\_\_\_\_

Store Address

\_\_\_\_\_

Store Phone

# BEFORE USING YOUR DEHUMIDIFIER

---

Please read this manual carefully. It contains instructions to help you use, maintain, and get the most use out of your dehumidifier.

## Electrical Safety

---

### Grounding

This dehumidifier must be grounded to reduce the risk of electric shock by providing an escape wire for the electric current. This dehumidifier has a power cord with a grounding wire and a grounded 3-prong plug.

ONLY PLUG INTO AN OUTLET THAT IS PROPERLY INSTALLED AND GROUNDED.

DO NOT, under any circumstances, cut or remove the third (ground) prong from the power cord.

### Power Supply Cord Wiring Requirements

115 Volt (103.5 min. – 126.5 max)

15 amp time-delay fuse or circuit breaker

## ⚠ WARNING



### Electrical Shock Hazard

**Plug into a grounded 3 prong outlet.**

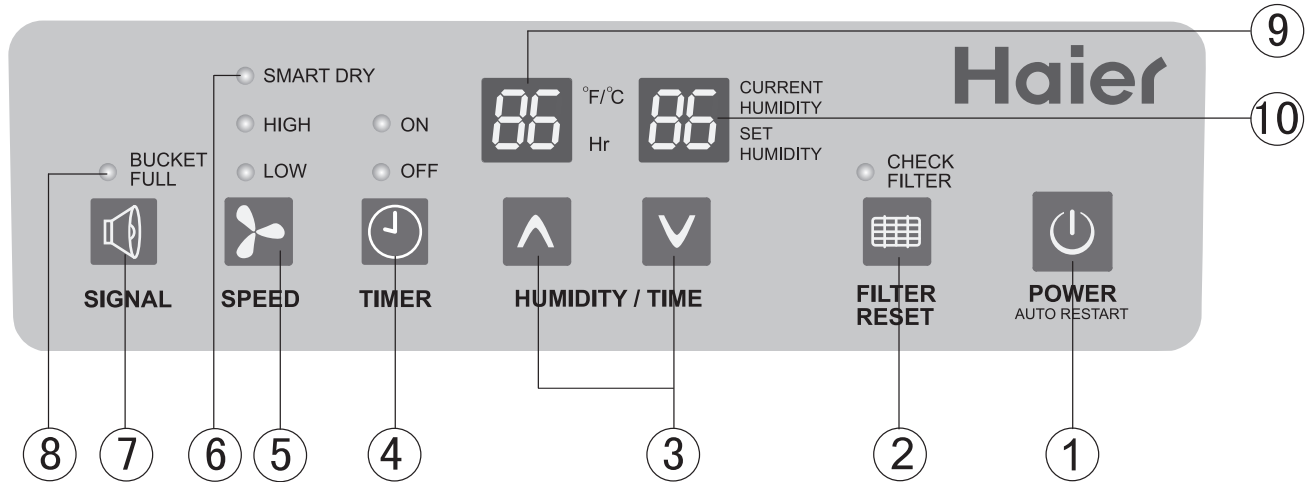
**Do not remove ground prong.**

**Do not use an adapter.**

**Do not use an extension cord.**

**Failure to follow these instructions can result in death, fire, or electrical shock.**

# FAMILIARIZE YOURSELF WITH THE CONTROLS ON YOUR DEHUMIDIFIER.



## Control Panel

### Features:

- 1 Power**  
Press POWER once to turn the dehumidifier ON and press POWER again to turn the dehumidifier OFF.  
**NOTE:** After the unit is plugged in, but before the unit is turned on, press and hold the POWER button for 5 seconds to switch the temperature display between Fahrenheit (F) and Celsius (C) degrees.  
**Auto Restart**  
Once the power is restored, after 3 minutes, the unit begins to operate at its previous operation setting depending on the humidity conditions.  
**NOTE: Auto-Defrost Sensor (built in)** When the temperature is 60°F or lower, ice may form on the evaporator coils preventing the removal of moisture. When this occurs, the controller stops the compressor, but allows the fan to continue running. When the ice is no longer present, the compressor will restart.
- 2 Check Filter Indicator**  
The "check filter" indicator will flash when the filter needs to be cleaned. Remove the filter, wash it, and put it back in. Press "Filter Reset." The "check filter" indicator will turn off.  
**Note:** Make sure the filter is dry before replacing.
- 3 Humidistat**  
This allows you to adjust the humidity in the air. You can set the humidity to your desired level by pressing **▲** and **▼** keys.
- 4 Timer**  
Your dehumidifier can be set to turn on and off at pre-determined times. Pre-setting can be programmed up to 24 hours in advance.
- 5 Two Fan Speeds**  
This key controls the fan speed. There are two speed levels, LOW and HIGH.
- 6 Smart Dry**  
This setting compares the set humidity level with the actual humidity level and adjusts the fan speed automatically.
- 7 Signal**  
The bucket full audible signal can be turned on and off by pressing the SIGNAL button. The default setting is set in the ON position. When the bucket is full, the red BUCKET FULL indicator light will blink and the alarm will sound 5 times every 15 minutes.  
To turn off the audible signal feature, press the SIGNAL button once, and the LED display will show "OF" for 2 seconds. In this setting, when the bucket is full, the BUCKET FULL indicator light will blink, but the audible alarm will not sound. To reactivate the audible signal, press the SIGNAL button and the LED display to the left will show "ON" for 2 seconds.
- 8 Bucket Full Indicator**  
When the indicator light comes on, automatic float control stops the unit.  
Turn the unit off by pressing the POWER key. Check to see if the bucket is full. If so, empty it. If bucket is not full and indicator light is on, the bucket is not in the proper position. Remove and reinstall it.
- 9 Current Temp/Timer Set Display**  
When the dehumidifier is running, it displays the current temperature. Press the timer key to program the dehumidifier to turn on or off automatically at a pre-determined time.
- 10 Current Humidity/Setting Humidity Display**  
Displays the current humidity level and adjusts the humidity to a desired level.  
Setting Humidity Range: 40%RH~70%RH  
Display Humidity Range: (LO)30%RH~(HI)90%RH

## PROPER USE & CARE

---

It is normal for the surrounding air to become slightly warmer as the dehumidifier operates. This warming effect further reduces the relative humidity of the surrounding air.

### THERE ARE TWO WAYS TO REMOVE WATER FROM THE BUCKET:

#### 1. Empty the bucket manually

When the water bucket is full, the red indicator light "BUCKET FULL" will go on.

1. YOU MUST turn the POWER off.
2. Wait a few minutes to allow the water to stop dripping.
3. Use both side handles to lift and remove the bucket.
4. Empty water through opening into a sink or tub.
5. Reinstall bucket.

#### IMPORTANT

Make sure the drain cap is tightened before operating the unit.

#### 2. Attach a standard garden hose

The direct drainage feature can be activated using the following steps.

1. Remove the plastic cap at the rear of the unit. (Keep the rubber insert well for use later.)(Fig.#1)

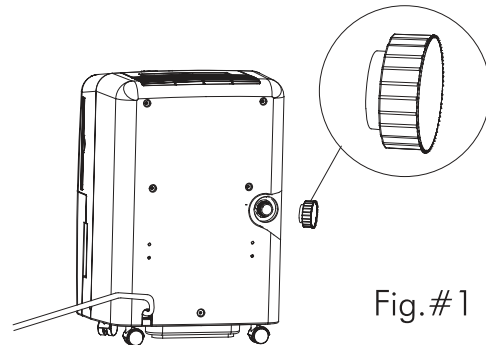


Fig.#1

2. Tightly screw the purchased garden hose to the direct drain opening.(Fig. #2)

3. Position the dehumidifier as close as you can to the floor drain.

4. Position the opening end of the drain hose directly over the floor drain and start the unit.

5. When the direct drain feature is not being used, remove the drain hose from the direct drain opening and plug it with the rubber cap provided.

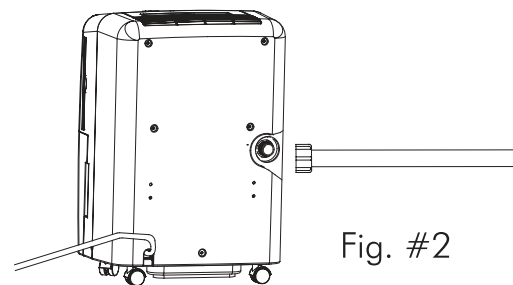


Fig. #2

## PROPER USE & CARE

- Place the dehumidifier in a location that does not restrict airflow into the front coil or out of the top grille.
- The dehumidifier must be operated in an enclosed area to be most effective. Close all doors, windows and other outside openings to the room.
- A dehumidifier operating in a basement will have little or no effect in drying an adjacent enclosed storage area, such as a closet, unless there is adequate circulation of air in and out of the area.
- When the dehumidifier stops, wait at least 3 minutes before restarting.

## PROPER CLEANING

- Before cleaning, turn the dehumidifier off and remove the plug from the wall outlet. Use water and a mild detergent to clean the inlet and outlet grilles. DO NOT use bleach or abrasives.
- The air filter is on the front of the dehumidifier. It should be checked at least every 2 to 3 weeks to see if it needs cleaning.
- When the unit is turned on for the first time, the "Bucket Full" light may be lit. If you remove and replace the bucket, the light will shut off.

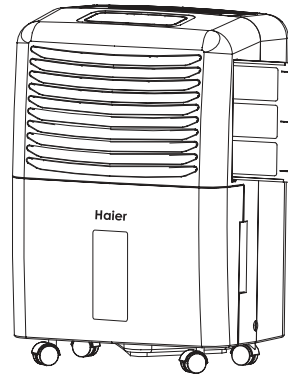
### WARNING



**You can be killed or seriously injured if you do not follow the instructions in this manual.**

## AIR FILTER REMOVAL

1. Grasp the filter handle, and pull the filter out. The filter will slide out easily.
2. Clean the filter thoroughly using a vacuum cleaner or wash using luke warm water and mild detergent. Dry thoroughly before re-installing.
3. To re-install the air filter, slide the filter back inside the tracks and push inward.



## STORAGE

When the dehumidifier is not being used for long time periods, please follow these instructions.

1. Disconnect the power cord from the power supply.
2. Empty the water tank and wipe (clean) thoroughly.
3. Clean air filter thoroughly.
4. Re-package the unit in the original carton.
5. Store the unit upright in a dry location.

# TROUBLESHOOTING

---

If you experience operational problems, please follow these troubleshooting suggestions before calling Customer Service. If these suggestions fail to solve the problem, call Customer Service toll free at 1-877-337-3639.

## Unit not operating

- Check to see if the grounded 3-prong plug is pushed completely into the outlet.
- The fuse may be blown or the circuit has been tripped. Check the house fuse/circuit breaker. Replace fuse or reset breaker as needed.
- The bucket may be full. The dehumidifier automatically turns off when this occurs. The drain bucket needs to be emptied.
- If the bucket is not full, it may be positioned improperly. Remove and reinstall so that it fits all the way into the dehumidifier.
- When the ambient temperature is above 95°F or below 41°F, the unit will shut off. This protects the compressor. Wait 3 minutes and then restart.

## Dehumidifier is icing up during initial stage of operation.

- This is normal for a dehumidifier. Frost will usually disappear within 60 minutes unless the temperature is below 60°F.

## Airflow is restricted

- Make sure there are no curtains, blinds or furniture blocking the front or back of the dehumidifier.
- Clean the filter. It may be clogged.

### NOTE:

After prolonged usage, the condenser coils behind the filter may develop a buildup of residue. Unless cleaned regularly with a soft brush, this residue will harden and may require special cleaning methods by a refrigeration/air conditioning professional.

## Unsatisfactory dehumidification

- When first installed, allow at least 3 or 4 days to remove the moisture from the room to maintain the desired dryness.
- Area to be dehumidified may be too large for your model. Check with your dealer.
- The controls may not be set correctly. Adjust controls according to instructions.
- Doors and windows may not be closed. Check that all doors, windows and other openings are closed tightly.
- Clothes dryer may be in operation in the same room. Install the dehumidifier away from the moisture-laden air generated by the dryer. Dryer should be vented to the outside.
- Please note that when room temperature is below 60°F, there might be ice forming on the coils. The unit will go into Auto-Defrost mode to remove the ice before resuming its dehumidification. The defrost operation will reduce the unit's ability for moisture removal.



## FULL ONE YEAR WARRANTY

This product is warranted against defects in materials and workmanship for a period of one year from the date of the original purchase by a consumer for home use, and includes the parts and labor required to repair or replace defective parts.

## LIMITED FIVE-YEAR WARRANTY

For an additional four-year period (beyond the first year of general coverage) the warrantor will repair or replace at its option any part of the refrigeration system (i.e., COMPRESSOR, EVAPORATOR, CONDENSER OR CONNECTING TUBE) which has failed as a result of defective materials or workmanship. Labor required for such repair or replacement is not covered by this warranty.

### EXCLUSIONS

WARRANTOR IS NOT RESPONSIBLE FOR CONSEQUENTIAL DAMAGES or damages to product caused by improper power supply voltage, accident, fire, floods or acts of god. (Some states do not allow the exclusion or limitation of incidental or consequential damages, so the above exclusion or limitation may not apply to you.)

This warranty gives you specific legal rights, and you may also have other rights which vary from state to state. To know what your legal rights are in your state, consult your local or state consumer affairs office or your state's Attorney General.

Warrantor:  
Haier America Trading L.L.C.  
New York, NY 10018  
For toll-free service call 1-877-337-3639.

Model	DE45M DE45M-L DE45M-T DE45EM DE45EM-L DE45EM-T	DE65EM DE65EM-L DE65EM-T
Refrigerant	R410A	R410A
<b>Features</b>		
Dehumidification	✓	✓
Automatic Humidistat Control	✓	✓
Automatic shut-off	✓	✓
2 speed fan	✓	✓
Bucket Full Indicator	✓	✓
Timer	24 Hr On/Off	24 Hr On/Off
Smart Dry	✓	✓
<b>Technical data</b>		
Voltage/frequency (V/Hz)	115/60	115/60
Capacity (pints per 24 hours)	45 pints	65 pints
Net dimension WxHxD (inch.)	13 <sup>3</sup> / <sub>8</sub> x 19 <sup>1</sup> / <sub>2</sub> x 10 <sup>5</sup> / <sub>8</sub>	15 x 23 <sup>1</sup> / <sub>2</sub> x 12
Packed dimension WxHxD (inch.)	14 <sup>3</sup> / <sub>4</sub> x 20 <sup>3</sup> / <sub>4</sub> x 12	16 <sup>1</sup> / <sub>2</sub> x 25 <sup>3</sup> / <sub>16</sub> x 14

# VOTRE SÉCURITÉ NOUS EST ESSENTIELLE.

LISEZ ATTENTIVEMENT LES INSTRUCTIONS AVANT DE FAIRE FONCTIONNER VOTRE DÉSHUMIDIFICATEUR

## Prenez toujours les précautions fondamentales suivantes :

Ce déshumidificateur doit être correctement installé et relié à la terre comme décrit dans ce manuel.

Ne jamais faire fonctionner ce déshumidificateur dans un lieu susceptible d'accumuler de l'eau stagnante. Si cette situation se produit, débrancher l'alimentation électrique avant de toucher l'eau, de marcher dedans ou de tenter de l'évacuer.

Réparer et remplacer immédiatement tous les cordons électriques effilochés ou autrement endommagés. NE PAS utiliser de cordon d'alimentation présentant des signes de détérioration sur sa longueur, sur la prise ou à l'extrémité qui le raccorde à l'appareil.

Toujours débrancher le déshumidificateur avant tout entretien ou déplacement.

## ATTENTION

- NE PAS boucher les aérations du déshumidificateur.
- NE PAS laisser les enfants monter sur le humidificateur ou jouer avec.
- TOUJOURS contacter un spécialiste pour les interventions et les réparations.

AVERTISSEMENT : Le non-respect des instructions de ce manuel peut provoquer la mort ou des blessures graves. Ces instructions doivent être conservées pour référence ultérieure.

## MERCI...

... d'avoir acheté cet appareil Haier. Ce manuel clair vous aidera à profiter pleinement de votre déshumidificateur.

Inscrivez ici le numéro du modèle, son numéro de série et les coordonnées du magasin qui vous l'a vendu. Le numéro du modèle et le numéro de série figurent à l'intérieur de l'appareil, derrière le seau.

Agrafez votre ticket d'achat à ce manuel. Il vous sera nécessaire pour obtenir un service de garantie.

\_\_\_\_\_  
Numéro du modèle

\_\_\_\_\_  
Numéro de série

\_\_\_\_\_  
Date d'achat

\_\_\_\_\_  
Nom du magasin

\_\_\_\_\_  
Adresse du magasin

\_\_\_\_\_  
Téléphone du magasin

# AVANT D'UTILISER VOTRE DÉSHUMIDIFICATEUR

Lisez attentivement ce manuel. Il contient des instructions pour vous aider à utiliser, entretenir et tirer le meilleur de votre déshumidificateur.

## Sécurité électrique

### Mise à la terre

Ce déshumidificateur doit être mis à la terre pour réduire le risque de choc électrique en prévoyant un conducteur de fuite du courant électrique. Le cordon d'alimentation de ce déshumidificateur possède un conducteur de terre et une prise tripolaire avec borne de terre.

LE BRANCHER UNIQUEMENT À UNE PRISE ÉLECTRIQUE CORRECTEMENT INSTALLÉE ET MISE À LA TERRE.

EN AUCUN CAS la troisième borne (de terre) ne doit être coupée ou retirée du cordon d'alimentation.

### Spécifications de câblage du cordon d'alimentation

115 volts (103,5 min. – 126,5 max.)

Fusible temporisé ou disjoncteur de 15 A

## ⚠ AVERTISSEMENT



### Risque de choc électrique

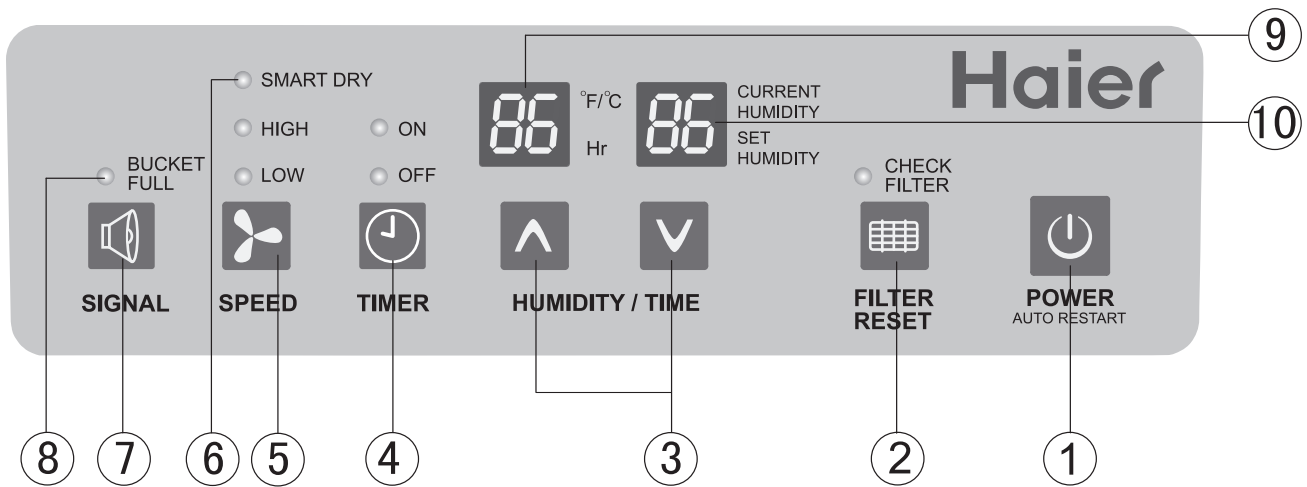
**Brancher sur une prise à 3 alvéoles reliée à la terre.**

**Ne pas enlever la broche de liaison à la terre.**

**Ne pas utiliser un adaptateur.**

**Ne pas utiliser un câble de rallonge.**

**Le non-respect de ces instructions peut causer un décès, un incendie ou un choc électrique.**



## Panneau de commandes

### Fonctions :

- 1 Marche/arrêt**  
Appuyer sur POWER pour mettre en marche le déshumidificateur et appuyer une nouvelle fois sur POWER pour l'éteindre.  
**REMARQUE:** Luego de que la unidad esté enchufada pero antes de encenderla, mantenga presionado el botón POWER (ENCENDIDO) por 5 segundos para cambiar el indicador de temperatura entre grados Fahrenheit (F) y Celsius (C).  
**Rallumage automatique**  
Une fois l'électricité rétablie, après 3 minutes, l'appareil recommence à fonctionner conformément à ses réglages précédents en fonction des conditions d'humidité.  
**REMARQUE :** Capteur de dégivrage automatique (intégré) Lorsque la température est inférieure ou égale à 15°C (60°F), du givre peut se former sur les serpentins évaporateurs, empêchant ainsi l'élimination de l'humidité. Dans cette situation, le contrôleur arrête le compresseur, mais laisse tourner le ventilateur. Lorsque le givre a disparu, le compresseur redémarre.
- 2 Indicateur de control de filtro**  
Este indicador se encenderá cuando el filtro requiera de una limpieza. Retire el filtro, lávelo y luego reubíquelo en su lugar (ver fig 19). Presione la tecla RESET y el indicador del filtro se apagará.
- 3 Humidostat**  
Permet de régler l'humidité dans l'air. Le niveau d'humidité souhaité se règle en appuyant sur les touches **▲** et **▼**.
- 4 Programmeur**  
Le déshumidificateur peut être mis en marche et éteint à des heures pré-réglées. Le pré-réglage peut être programmé jusqu'à 24 heures à l'avance.
- 5 Ventilateur à deux vitesses**  
Cette touche commande la vitesse du ventilateur. Deux vitesses sont possibles LOW (basse) et HIGH (élevée).
- 6 SECADO INTELIGENTE**  
Esta configuración compara el nivel de humedad configurado con el nivel de humedad real y ajusta la velocidad del ventilador automáticamente.
- 7 SEÑAL**  
La señal sonora de cubo lleno puede encenderse o apagarse presionando el botón SIGNAL (SEÑAL). La configuración predeterminada es ENCENDIDA. Cuando el cubo esté lleno, la luz indicadora BUCKET FULL (CUBO LLENO) destellará y la alarma sonará 5 veces cada 15 minutos.  
Para apagar la función de señal sonora, presione el botón SIGNAL (SEÑAL) una vez, la pantalla mostrará "OFF" (APAGADO) durante 2 segundos. Con esta configuración, cuando el cubo esté lleno, la luz indicadora BUCKET FULL (CUBO LLENO) destellará, pero la alarma no emitirá sonido.  
Para volver a activar la señal sonora, presione el botón SIGNAL (SEÑAL), la pantalla a la izquierda mostrará "ON" (ENCENDIDO) durante 2 segundos.
- 8 Témoin de seau plein**  
Lorsque ce témoin s'allume, un interrupteur de sécurité arrête l'appareil.  
Éteindre l'appareil en appuyant sur la touche POWER.  
Vérifier si le seau est plein. Dans l'affirmative, le vider.  
Si le seau n'est pas plein et que le témoin est allumé, le seau n'est pas placé correctement. L'enlever et le replacer.

## 9 Afficheur de la température ambiante/ de la minuterie

Lorsque le déshumidificateur fonctionne, cet afficheur indique la température ambiante. Appuyer sur la touche de la minuterie pour régler l'heure de mise en marche ou d'arrêt automatique du déshumidificateur.

## 10 Afficheur de l'humidité ambiante/du réglage de l'humidité

Affiche le taux d'humidité ambiante et règle l'humidité au taux souhaité.  
Plage de réglage de l'humidité :  
40% RH à 70% RH  
Plage d'affichage de l'humidité :  
30% RH (LO) à 90% RH (HI)

# CONSIGNES D'UTILISATION ET D'ENTRETIEN

Il est normal que l'air ambiant se réchauffe légèrement lorsque le déshumidificateur fonctionne. Cet effet de réchauffement réduit encore davantage l'humidité relative de l'air ambiant.

## POUR VIDER L'EAU DU SEAU, DEUX MÉTHODES SONT POSSIBLES :

### 1. Vidage à la main

Lorsque le seau est plein d'eau, le témoin rouge "BUCKET FULL" (seau plein) s'allume.

1. La mise hors tension de l'appareil est OBLIGATOIRE.
2. Patienter quelques minutes pour laisser tomber les dernières gouttes.
3. Soulever le seau par ses deux anses et le retirer.
4. Vider l'eau dans l'évacuation d'un évier ou d'une baignoire.
5. Replacer le seau.

### IMPORTANT

Vérifier que le bouchon de vidange est serré avant de faire fonctionner l'appareil.

### 2. Fixation d'un tuyau d'arrosage de jardin ordinaire

La fonction du drainage continu peut être active en suivant les étapes suivantes.

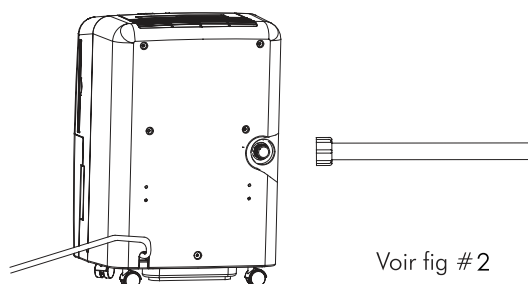
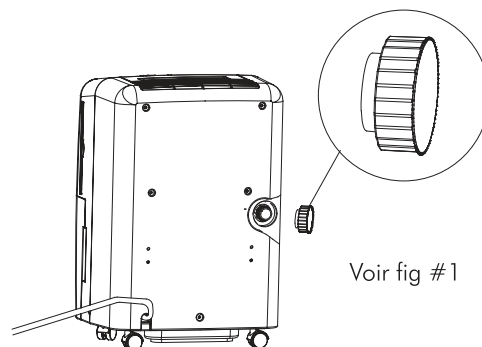
1. Enlever le seau et le couvert en matière plastique situé au fond du seau. Puis enlever l'insertion en caoutchouc hors du couvert. (Gardez l'insertion en caoutchouc pour l'utiliser plus tard. Voir fig #1)

2. Vissez fermement le boyau d'arrosage acheté à l'ouverture du drain direct. ( Voir fig #2)

3. Positionnez le déshumidificateur le plus près possible de l'avaloir de sol.

4. Positionnez l'ouverture du tuyau d'évacuation directement au-dessus de l'avaloir de sol et mettez l'appareil en marche.

5. Quand l'option "drain direct" n'est pas utilisée, retirez le tuyau d'évacuation de l'ouverture directe du drain et branchez-le avec le bouchon en caoutchouc fourni.



## CONSIGNES D'UTILISATION ET D'ENTRETIEN

- Placer le déshumidificateur à un endroit qui ne gêne pas la circulation d'air dans le serpentin arrière ou à la sortie de la grille frontale.
- Pour être plus efficace, le déshumidificateur doit fonctionner dans un espace fermé. Fermer toutes les fenêtres, portes et autres ouvertures donnant sur l'extérieur de la pièce.
- Un déshumidificateur fonctionnant dans un sous-sol aura un effet faible ou nul sur le séchage d'un espace clos adjacent, par exemple une armoire, si le brassage de l'air n'est pas suffisant dans cette zone.
- Lorsque le déshumidificateur s'arrête, patienter au moins 3 minutes avant de le rallumer.

## NETTOYAGE

- Avant le nettoyage, éteindre le déshumidificateur et le débrancher de la prise murale. Nettoyer les grilles d'entrée et de sortie avec de l'eau et un détergent doux. NE PAS utiliser d'eau de Javel ou de produits abrasifs.
- Le filtre à air se trouve à l'avant du déshumidificateur. Il doit être contrôlé au moins une fois toutes les 2 à 3 semaines et nettoyé si besoin.
- Lorsque l'appareil est allumé pour la première fois, il se peut que le témoin "Bucket Full" (seau plein) s'allume. Le témoin s'éteint lorsque l'on retire le seau, puis le replace.

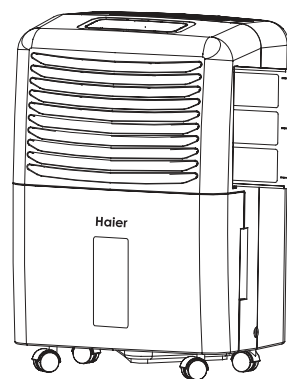
### AVERTISSEMENT



**Le non-respect des instructions de ce manuel peut provoquer la mort ou des blessures graves.**

## RETRAIT DU FILTRE À AIR

1. Retirez le filtre. Il glissera facilement.
2. Nettoyez le filtre en profondeur à l'aide d'un aspirateur ou lavez avec de l'eau tiède et un détergent doux. Séchez en profondeur avant de réinstaller.
3. Pour réinstaller le filtre à air, faites-le glisser de nouveau en place dans les rangs et pousser le vers l'intérieur.



## STOCKAGE

1. Retirez le cordon d'alimentation de la prise murale.
2. Videz le réservoir d'eau et nettoyez en profondeur.
3. Nettoyez le filtre à air en profondeur.
4. Remettez l'appareil dans son carton d'emballage d'origine.
5. Entrez l'appareil à l'endroit dans un lieu sec.

# DÉPANNAGE

---

Si vous rencontrez des problèmes de fonctionnement, consultez les suggestions de dépannage ci-dessous avant d'appeler le service clientèle. Si ces suggestions ne permettent pas de résoudre le problème, appelez le service à la clientèle au numéro sans frais 1-877-337-3639.

## L'appareil ne fonctionne pas

- Vérifier que la prise tripolaire avec borne de terre est enfoncée complètement dans la prise secteur.
- Il se peut qu'un fusible ait fondu ou que le circuit ait disjoncté. Vérifier le fusible/disjoncteur du tableau électrique du domicile. Remplacer le fusible ou réenclencher le disjoncteur si besoin.
- Il se peut que le seau soit plein. Le déshumidificateur s'éteint alors automatiquement. Le seau de récupération doit être vidé.
- Si le seau n'est pas plein, il est peut-être mal placé. Le retirer et le replacer de manière à l'encastrier complètement dans le déshumidificateur.
- Si la température ambiante dépasse 35°C ( 95°F) ou descend en dessous de 5°C (41°F), l'appareil s'éteint. Cette mesure protège le compresseur. Patienter 3 minutes, puis le rallumer.

## Le déshumidificateur se couvre de givre pendant les premières minutes de fonctionnement.

- Ce phénomène est normal pour un déshumidificateur. Le givre disparaît habituellement en moins d'une heure, sauf si la température est inférieure à 15°C (60°F).

## La circulation d'air est médiocre

- Vérifier qu'aucun rideau, store ou meuble ne masque l'avant ou l'arrière du déshumidificateur.
- Nettoyer le filtre. Il est peut-être obstrué.

### REMARQUE :

Après une utilisation prolongée, les serpentins du condenseur à l'arrière de filtre peuvent accumuler des résidus. S'ils ne sont pas nettoyés régulièrement au moyen d'une brosse souple, ces résidus durcissent et peuvent nécessiter le recours à des méthodes de nettoyage professionnelles par un spécialiste en réfrigération/génie climatique.

## Déshumidification médiocre

- Après la première mise en marche, laisser au moins 3 à 4 jours à l'appareil pour qu'il élimine l'humidité excessive de la pièce et maintienne le taux d'humidité souhaité.
- L'espace à déshumidifier est peut-être trop vaste pour votre modèle. Consulter le revendeur.
- Il se peut que les réglages ne soient pas corrects. Régler les commandes conformément aux instructions.
- Il se peut que des portes et des fenêtres ne soient pas fermées. Vérifier que toutes les portes, fenêtres et autres ouvertures sont bien fermées.
- Une sècheuse fonctionne peut-être dans la même pièce. Placer le déshumidificateur loin de l'air très humide engendré par la sècheuse. L'évacuation de la sècheuse doit s'effectuer vers l'extérieur.
- Noter que lorsque la température ambiante est inférieure à 15°C (60°F), de la glace peut se former sur les serpentins. L'appareil passe alors en mode de dégivrage automatique pour éliminer la glace avant de reprendre son rôle de déshumidification. L'opération de dégivrage réduit le pouvoir de déshumidification de l'appareil.



### **GARANTIE COMPLÈTE DE UN AN**

Ce produit est garanti contre les vices de matériau et de fabrication pendant une période de un an à compter de la date du premier achat par un particulier pour un usage domestique. Cette garantie inclut les pièces et la main-d'œuvre nécessaires à la réparation ou au remplacement des pièces défectueuses.

### **GARANTIE LIMITÉE DE CINQ ANS**

Pour une période de quatre ans supplémentaires (qui suit la première année de couverture générale), le garant fera réparer ou remplacer, à sa discrétion, toute pièce du circuit de réfrigération (c.-à-d. COMPRESSEUR, ÉVAPORATEUR, CONDENSEUR OU TUYAUTERIE DE RACCORDEMENT) dont la défaillance est due à un vice de matériau ou de fabrication. Les frais de main-d'œuvre engagés pour une telle réparation ou un tel remplacement ne sont pas couverts par cette garantie.

### **EXCLUSIONS**

LE GARANT N'EST PAS RESPONSABLE DES DOMMAGES INDIRECTS ou des dommages au produit provoqués par une tension d'alimentation électrique incorrecte, un accident, un incendie, une inondation ou une catastrophe naturelle. (Comme certains états n'autorisent pas l'exclusion ou la limitation des dommages fortuits ou indirects, l'exclusion ou la limitation ci-dessus peut ne pas s'appliquer à votre cas.)

Cette garantie vous confère des droits particuliers reconnus par la loi, et il se peut que d'autres droits, qui varient d'un état à l'autre, vous soient accordés. Pour connaître vos droits d'après la loi de votre état, contactez votre bureau local ou fédéral des consommateurs ou le procureur général de votre état.

#### **Garant :**

Haier America Trading L.L.C.  
New York, NY 10018

Pour toute assistance après-vente,  
appeler le numéro sans frais 1-877-337-3639.

MODÈLE	DE45M DE45M-L DE45M-T DE45EM DE45EM-L DE45EM-T	DE65EM DE65EM-L DE65EM-T
Fluide frigorigène	R410A	R410A
<b>Caractéristiques</b>		
Déshumidification	✓	✓
Régulation automatique par humidostat	✓	✓
Arrêt automatique	✓	✓
Ventilateur à 2 vitesses	✓	✓
Témoin de seau plein	✓	✓
Programmateur	24 heures ENCENDIDO/APAGADO	24 heures ENCENDIDO/APAGADO
SECADO INTELIGENTE	✓	✓
<b>Caractéristiques techniques</b>		
Tension/fréquence (V/Hz)	115/60	115/60
Capacité par 24 heures (litres/pintes)	45	65
Encombrement net LxHxP (pouces)	13 <sup>3</sup> / <sub>8</sub> x 19 <sup>1</sup> / <sub>2</sub> x 10 <sup>5</sup> / <sub>8</sub>	15 x 23 <sup>1</sup> / <sub>2</sub> x 12
Encombrement emballé LxHxP (pouces)	14 <sup>3</sup> / <sub>4</sub> x 20 <sup>3</sup> / <sub>4</sub> x 12	16 <sup>1</sup> / <sub>2</sub> x 25 <sup>3</sup> / <sub>16</sub> x 14

# SU SEGURIDAD ES IMPORTANTE PARA NOSOTROS.

POR FAVOR LEA ESTAS INSTRUCCIONES CUIDADOSAMENTE ANTES DE OPERAR EL DESHUMIDIFICADOR

## Siempre tome estas precauciones básicas:

Este deshumidificador debe ser instalado correctamente y tener una conexión a tierra tal como se describe en este manual.

Nunca opere este deshumidificador en un área donde se pueda acumular agua estancada. Si se presentara esta situación, desconecte el suministro de energía antes de tocar, pisar o intentar quitar el agua.

Repare y reemplace inmediatamente todos los cables eléctricos de servicio que se hayan desgastado o dañado de alguna manera. NO UTILICE un cable eléctrico que esté dañado a lo largo del cable, en el enchufe o donde está conectado al electrodoméstico.

Siempre desenchufe el deshumidificador antes de darle servicio o de moverlo.

## ADVERTENCIA

- NO cubra los orificios de ventilación del deshumidificador.
- NO permita que los niños se suban ni jueguen con el deshumidificador.
- SIEMPRE consulte a un profesional para el servicio y la reparación.

ADVERTENCIA: Usted podría morir o ser herido de gravedad si no sigue las instrucciones en este manual. Por favor guarde estas instrucciones para referencia futura.

## GRACIAS...

... por comprar este electrodoméstico de Haier. Este manual sencillo de usar le ayudará a obtener el mejor rendimiento de su deshumidificador.

Por favor anote el número de modelo, el número de serie y guarde la información aquí. Los números de modelo y de serie pueden ubicarse dentro de la unidad, después de quitar la cubeta.

Engrape su factura a este manual. La necesitará para obtener el servicio bajo la garantía.

\_\_\_\_\_  
Número de modelo

\_\_\_\_\_  
Número de serie

\_\_\_\_\_  
Fecha de compra

\_\_\_\_\_  
Nombre de la tienda

\_\_\_\_\_  
Dirección de la tienda

\_\_\_\_\_  
Teléfono de la tienda

# ANTES DE USAR SU DESHUMIDIFICADOR

Por favor lea este manual cuidadosamente. El mismo contiene las instrucciones para ayudarlo con el uso, el mantenimiento y para obtener el mayor rendimiento de su deshumidificador.

## Seguridad eléctrica

### Conexión a tierra

Este deshumidificador deberá estar conectado a tierra provista por un cable de descarga de corriente eléctrica, para reducir el riesgo de electrocución. Este deshumidificador tiene un cable eléctrico con conexión a tierra y un enchufe de 3 terminales.

ENCHUFE SOLAMENTE A UN TOMACORRIENTE CORRECTAMENTE INSTALADO Y CONECTADO A TIERRA.

NO corte ni quite la tercera terminal (tierra) del enchufe bajo ninguna circunstancia.

### Requisitos del cableado para el cable de suministro de energía

115 voltios (de 103,5 mín. a 126,5 máx.)

Fusible retardador de 15 amperios o cortacircuitos

## ⚠ ADVERTENCIA



### Peligro de Choque Eléctrico

**Conecte a un contacto de pared de conexión a tierra de 3 terminales.**

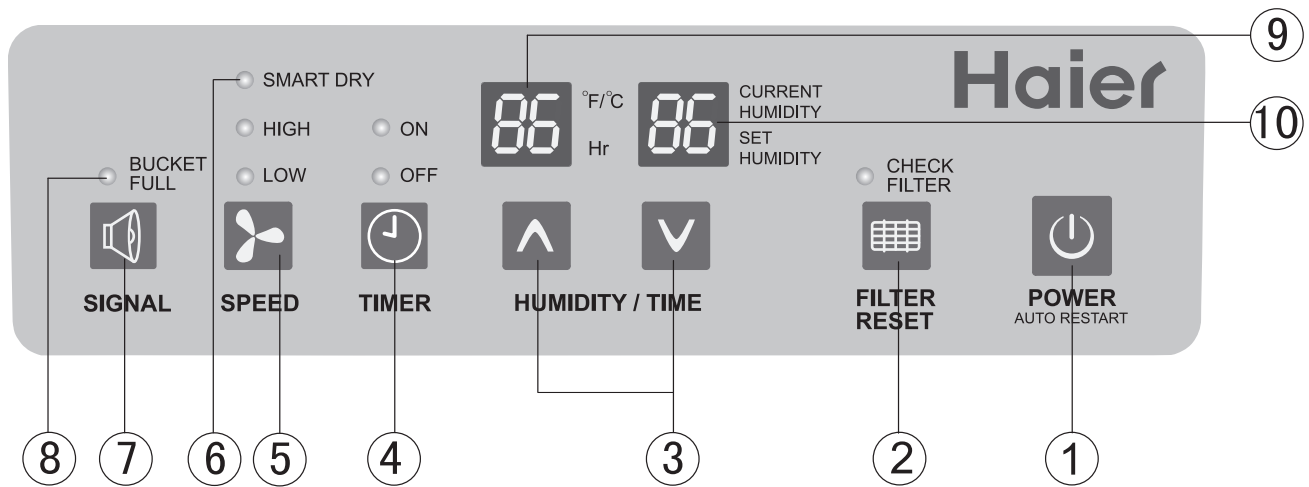
**No quite la terminal de conexión a tierra.**

**No use un adaptador.**

**No use un cable eléctrico de extensión.**

**No seguir estas instrucciones puede ocasionar la muerte, incendio o choque eléctrico.**

# FAMILIARÍCESE CON LOS CONTROLES DE SU DESHUMIDIFICADOR.



## Panel de control

### Características:

#### 1 Encendido

Presione POWER (Encendido) una vez para ENCENDER el deshumidificador y presione POWER nuevamente para APAGARLO.  
**NOTA:** Après que l'appareil soit branché, mais avant qu'il ne soit allumé, appuyer et tenir le bouton POWER pour 5 secondes pour changer l'affichage de température entre le degrés Fahrenheit (F) ou Celsius (C).

#### Reinicio automático (Auto Restart)

Una vez que la electricidad haya sido reestablecida y luego de 3 minutos, la unidad comienza a operar con el programa previamente establecido, dependiendo de las condiciones de humedad.

**NOTA:** Sensor para descongelación automática (incorporado) Cuando la temperatura es de 60° F o menor, se puede formar hielo en los serpentines del evaporador, interrumpiendo la remoción de la humedad. Cuando esto sucede, el controlador detiene el compresor, pero permite que el ventilador continúe funcionando. Cuando el hielo desaparece, el compresor se volverá a encender.

#### 2 Indicateur du controleur du filtre.

L'indicateur du controleur du filtre, s'allumera quand le filtre doit être nettoyé. Enlevez le filtre, lavez le et remplacez le. (voir P 12). Pressez le bouton "REMETTRE A ZERO", l'indicateur du controleur du filtre est éteint.

#### 3 Humidistato

Éste le permite ajustar la humedad en el aire. Puede establecer el nivel de humedad que usted desee presionando los botones ▲ y ▼.

#### 4 Temporizador (Timer)

Su deshumidificador puede ser programado para encenderse y apagarse a horas predefinidas. La programación puede hacerse hasta con 24 horas de anticipación.

#### 5 Ventilador de dos velocidades

Este botón controla la velocidad del ventilador. Hay dos niveles de velocidad, LOW (Baja) y HIGH (Alta).

#### 6 Smart Dry

Ce paramètre compare le niveau d'humidité spécifié avec le niveau d'humidité ambiant et ajuste la vitesse du ventilateur automatiquement.

#### 7 SIGNAL SONORE

Le son alertant que le bac est plein peut être allumé ou éteint en appuyant sur le bouton SIGNAL. Par défaut, il est mis en marche. Lorsque le bac est plein, le témoin lumineux rouge "BUCKET FULL" clignote et le signal sonore se fait entendre 5 fois toute les 15 minutes. Pour éteindre le signal sonore, appuyez une fois sur le bouton SIGNAL. L'affichage DEL affichera "OFF" pour 2 secondes. Lorsque le bac est plein et que l'option du signal sonore est éteinte, le témoin lumineux clignotera, mais le signal sonore restera silencieux. Pour réactiver le signal sonore, appuyez de nouveau sur le bouton SIGNAL et l'affichage DEL affichera "ON" pour 2 secondes.

#### 8 Indicador de cubeta llena (Bucket Full)

Cuando la luz indicadora se enciende, el control automático de flujo detiene la unidad. Apague la unidad presionando el botón de POWER (Encendido).

Verifique si la cubeta está llena. Si está llena, vacíela.

Si la cubeta no está llena y la luz indicadora está encendida, la cubeta no está colocada en la posición correcta. Retírela y vuélvala a instalar.

- 9 **Temperatura actual/Pantalla del temporizador**  
Cuando el deshumidificador esté funcionando, se muestra la temperatura actual. Presione el botón del temporizador para programar el encendido o apagado automático del deshumidificador a una hora predeterminada.

- 10 **Humedad actual/Cómo fijar la pantalla de humedad**  
Muestra el nivel de humedad actual y lo ajusta al nivel deseado.  
Rango del ajuste de humedad: 40% RH (Humedad relativa) ~ 70% RH  
Rango de humedad en la pantalla: (LO) (Baja) 30% RH ~ (HI) (Alta) 90% RH

## USO Y CUIDADO ADECUADOS

Es normal que el aire circundante se torne levemente más caliente a medida que el deshumidificador funciona. Este efecto de calentamiento reduce aún más la humedad relativa del aire circundante.

EXISTEN DOS MANERAS DE VACIAR EL AGUA DE LA CUBETA:

### 1. Vacíe la cubeta en forma manual

Cuando la cubeta de agua esté llena, la luz indicadora "BUCKET FULL" (Cubeta llena) se encenderá.

1. USTED DEBERÁ desconectar la ENERGÍA.
2. Espere algunos minutos para permitir que el agua deje de gotear.
3. Utilice ambas manijas laterales para levantar y quitar la cubeta.
4. Vacíe el agua a través de la abertura en una tina o bañera.
5. Vuelva a instalar la cubeta en su lugar.

### IMPORTANTE

Asegúrese que la tapa de desagüe esté bien ajustada antes de poner nuevamente a funcionar la unidad.

### 2. Fije una manguera de jardín común

La función de drenaje continuo puede ser activada siguiendo los pasos a continuación:

1. Retire el balde y la tapa plástica en la parte inferior del mismo. (Fig. #1)
2. Atornille bien la manguera de jardín comprada a la abertura principal del drenaje. (Fig. #2)
3. Ubique el deshumidificador tan cerca como pueda del desagüe del piso.
4. Ubique el extremo de la abertura de la manguera de desagüe directamente sobre el desagüe del piso y encienda la unidad.
5. Cuando no se utiliza la función de desagüe directo, quite la manguera de desagüe de la abertura de desagüe directo y tápela con la tapa de goma provista.

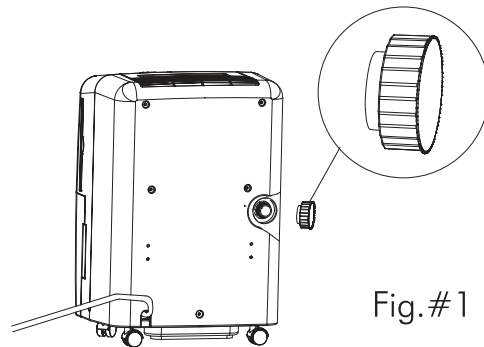


Fig. #1

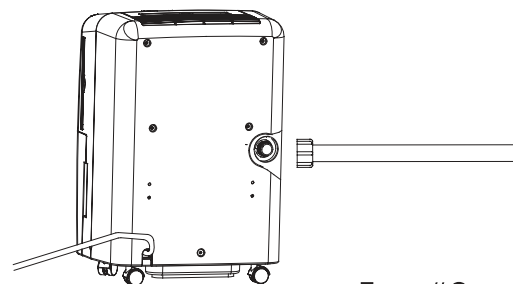


Fig. #2

## USO Y CUIDADO ADECUADOS

- Coloque el deshumidificador en un lugar en el cual no se restrinja el flujo de aire al serpentín posterior o fuera de la rejilla frontal.
- El deshumidificador debe utilizarse en un área cerrada para ser más eficaz. Cierre todas las puertas, ventanas y otras aberturas al exterior de la habitación.
- Un deshumidificador que funcione en un sótano tendrá poco o ningún efecto en secar un área de almacenaje cerrada adyacente, tal como un armario, al menos que exista circulación de aire adecuada dentro y fuera del área.
- Cuando el deshumidificador se detenga, espere por lo menos 3 minutos antes de volver a encenderlo.

## LIMPIEZA ADECUADA

- Antes de limpiar el deshumidificador, apáguelo y quite el enchufe del tomacorriente de pared. Utilice agua tibia y detergente suave para limpiar las rejillas de entrada y salida. NO utilice blanqueador ni abrasivos.
- El filtro de aire se encuentra en el frente del deshumidificador. Éste debiera revisarse por lo menos cada 2 ó 3 semanas para verificar si necesita ser limpiado.
- Para quitar el filtro: Desenchufe la unidad, quite la cubeta y saque el filtro hacia arriba. Limpie el filtro con una aspiradora o lávelo con agua limpia y séquelo con un paño seco.
- Cuando se encienda por primera vez la unidad, la luz de Bucket Full (Cubeta llena) puede estar iluminada. Si saca y vuelve a colocar la cubeta, la luz se apagará.

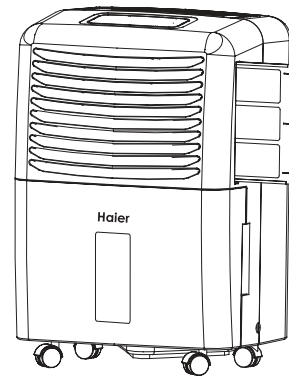
### ADVERTENCIA



Usted podría morir o ser herido de gravedad si no sigue las instrucciones de este manual.

## EXTRACCIÓN DE FILTRO DE AIRE

1. Sostenga la manija del filtro y jale para quitar el filtro. El filtro se deslizará fácilmente.
2. Limpie el filtro minuciosamente con una aspiradora o usando agua tibia y detergente suave. Séquelo minuciosamente antes de volver a instalarlo.
3. Para reinstalar el filtro de aire, deslice el filtro hacia atrás por las guías y empuje hacia adentro.



## ALMACENAMIENTO

Cuando no se utilice el deshumidificador por períodos largos, por favor siga las siguientes instrucciones:

1. Desconecte el cable de energía del suministro de energía.
2. Vacíe el tanque de agua y límpielo minuciosamente.
3. Limpie el filtro de aire minuciosamente.
4. Vuelva a empaquetar la unidad en la caja original.
5. Almacene la unidad verticalmente en un sitio seco.

# SOLUCIÓN DE PROBLEMAS

---

Si experimenta problemas de funcionamiento, por favor siga estas sugerencias de soluciones de problemas antes de llamar a Servicio al cliente. Si estas sugerencias no solucionan el problema, llame a Servicio al cliente sin cargo al 1-877-337-3639.

## La unidad no funciona

- Verifique si el enchufe de 3 terminales con conexión a tierra está completamente enchufado en el tomacorriente.
- El fusible puede haberse fundido o el cortacircuitos se pudo haber disparado. Revise los fusibles o el cortacircuitos de la casa. Reemplace el fusible o reposicione el cortacircuitos si fuese necesario.
- La cubeta puede estar llena. El deshumidificador se apagará automáticamente cuando esto ocurra. La cubeta de desagüe necesita ser vaciada.
- Si la cubeta no está llena, puede ser que esté mal colocada. Quítela y vuelva a instalarla para que entre completamente dentro del deshumidificador.
- Cuando la temperatura ambiente es mayor de 95 °F o menor de 41°F, la unidad se apagará. Esto protege al compresor. Espere 3 minutos y vuelva a encenderlo.

## Se forma hielo en el deshumidificador durante el período inicial de funcionamiento.

- Esto es normal en un deshumidificador. La escarcha desaparecerá usualmente dentro de 60 minutos, a menos que la temperatura sea menor a 60°F.

## El flujo de aire está restringido

- Asegúrese de que no haya cortinas, persianas ni muebles bloqueando el frente o la parte posterior del deshumidificador.
- Limpie el filtro, podría estar obstruido.

### NOTA:

Luego de un uso prolongado, los serpentines del condensador ubicados detrás del filtro pueden acumular residuos. A menos que los limpie regularmente con un cepillo suave, este residuo se endurecerá y puede necesitar métodos de limpieza especializados realizados por un profesional en refrigeración o aire acondicionado.

## No deshumedece satisfactoriamente

- Cuando lo instale por primera vez, deje pasar 3 ó 4 días para que la humedad de la habitación desaparezca y para mantener la sequedad deseada.
- El área a deshumidificar puede ser demasiado grande para el modelo que usted tiene. Consulte con su distribuidor.
- Puede ser que los controles no estén fijados correctamente. Ajuste los controles de acuerdo a las instrucciones.
- Puede ser que las puertas y ventanas no estén cerradas. Verifique que todas las puertas, ventanas y otras aberturas estén bien cerradas.
- Puede ser que se esté funcionando una secadora de ropa en la misma habitación. Instale el deshumidificador alejado del aire cargado de humedad que genera la secadora. La secadora debiera tener una ventilación al exterior.
- Por favor tenga en cuenta que cuando la temperatura de la habitación sea menor a 60°F, puede ser que se forme hielo en los serpentines. La unidad entrará en el modo de descongelamiento automático para quitar el hielo antes de reanudar la deshumidificación. La operación de descongelamiento reducirá la capacidad de la unidad para la remoción de humedad.



## GARANTÍA COMPLETA DE UN AÑO

Este producto está garantizado contra defectos de material y mano de obra por un período de un año a partir de la fecha original de compra hecha por el consumidor, para uso domiciliario, e incluye repuestos y mano de obra necesarios para reparar o reemplazar partes defectuosas.

## GARANTÍA LIMITADA POR CINCO AÑOS

Por un período adicional de cuatro años (más allá del primer año de cobertura general), el garante reparará o reemplazará, a su discreción, cualquier parte del sistema de refrigeración (por ej.: COMPRESOR, EVAPORADOR, CONDENSADOR O TUBO CONECTOR) que haya fallado como resultado de materiales o mano de obra defectuosos. La mano de obra necesaria para tal reparación no está cubierta por esta garantía.

### EXCLUSIONES

EL GARANTE NO ES RESPONSABLE POR DAÑOS CONSECUENTES o daños causados al producto por el uso de un suministro de voltaje inapropiado, accidente, incendio, inundación o actos fortuitos. (Algunos estados no permiten la exclusión o limitación por daños consecuentes o incidentales, por lo tanto la exclusión o limitación anteriormente mencionada quizás no le corresponda).

Esta garantía le otorga derechos legales específicos, y puede ser que usted también tenga otros derechos que varían de un estado a otro. Para conocer los derechos legales en su estado, consulte con su oficina local de asuntos del consumidor local o del estado, o la Procuraduría General estatal.

#### **Garante:**

Haier America Trading L.L.C.  
New York, NY 10018

Para llamadas de servicio gratuitas,  
llame al 1-877-337-3639.

MODELO	DE45M DE45M-L DE45M-T DE45EM DE45EM-L DE45EM-T	DE65EM DE65EM-L DE65EM-T
Refrigerante	R410A	R410A
<b>Características</b>		
Deshumidificación	✓	✓
Control automático del humidistato	✓	✓
Apagado automático	✓	✓
Ventilador de 2 velocidades	✓	✓
Indicador de cubeta llena	✓	✓
Temporizador	24 horas ENCENDER/APAGARLO	24 horas ENCENDER/APAGARLO
Smart Dry	✓	✓
<b>Información técnica</b>		
Voltaje/frecuencia (V/Hz)	115/60	115/60
Capacidad (pintas [litros] por cada 24 horas)	45	65
Dimensiones netas AxLxP (pulg)	13 <sup>3</sup> / <sub>8</sub> x 19 <sup>1</sup> / <sub>2</sub> x 10 <sup>5</sup> / <sub>8</sub>	15 x 23 <sup>1</sup> / <sub>2</sub> x 12
Dimensiones embalado AxLxP (pulg )	14 <sup>3</sup> / <sub>4</sub> x 20 <sup>3</sup> / <sub>4</sub> x 12	16 <sup>1</sup> / <sub>2</sub> x 25 <sup>3</sup> / <sub>16</sub> x 14



