



Dryers

Safety Instructions 2-4

Operating Instructions

Controls 5-7
Cycle Options 8, 9
Using the Dryer 10

Installation Instructions

Before You Begin 11, 12
Connecting an
Electric Dryer 14-16
Exhausting the Dryer 17-23
Final Setup 24
Location of your Dryer 12, 13
Reversing the Door Swing 25-27
Stacking the Washer
and Dryer 28-30

Troubleshooting Tips 32-34

Consumer Support

Consumer Support Back Cover
Warranty (Canada) 36
Warranty (U.S.) 35

Owner's Manual & Installation Instructions

DCVH480EK
DCVH485EK
PCVH480EK
PCVH485EK

Sécheuses

Manuel d'utilisation et d'installation

La section française commence à la page 37

Secadoras

Manual del propietario e instalación

La sección en español empieza en la página 73

SAVE THESE INSTRUCTIONS

Write the model and serial numbers here:

Model # _____

Serial # _____

They are on the label on the front of the dryer behind the door.

IMPORTANT SAFETY INFORMATION.

READ ALL INSTRUCTIONS BEFORE USING.

⚠ WARNING!

For your safety, the information in this manual must be followed to minimize the risk of fire or explosion, electric shock, or to prevent property damage, personal injury, or death.

- Do not store or use gasoline or other flammable vapors and liquids in the vicinity of this or any other appliance.
- Installation and service must be performed by a qualified installer or service agency.



PROPER INSTALLATION

This dryer must be properly installed and located in accordance with the Installation Instructions before it is used. Installation Instructions are included in the back of this manual.

- Properly ground dryer to conform with all governing codes and ordinances. Follow details in Installation Instructions.
- Install or store where it will not be exposed to temperatures below freezing or exposed to water or weather, which could cause permanent damage and invalidate the warranty.
- Connect to a properly rated, protected and sized power supply circuit to avoid electrical overload.
- Remove all sharp packing items and dispose of all shipping materials properly.

Exhaust/Ducting

- 1 Dryers **MUST** be exhausted to the outside to prevent large amounts of moisture and lint from being blown into the room.
- 2 Use only rigid metal 4" diameter ductwork inside the dryer cabinet. Use only rigid metal or flexible metal 4-in diameter ductwork for exhausting to the outdoors. Never use plastic or other combustible, easy-to-puncture ductwork.

For complete details, follow the Installation Instructions.

⚠ WARNING!



YOUR LAUNDRY AREA

- Keep the area underneath and around your appliances free of combustible materials, (lint, paper, rags, etc.), gasoline, chemicals and other flammable vapors and liquids.
- Keep the floor around your appliances clean and dry to reduce the possibility of slipping.
- Close supervision is necessary if this appliance is used by or near children. Do not allow children to play on, with or inside this or any other appliance.
- Keep the area around the exhaust opening and adjacent surrounding areas free from the accumulation of lint, dust and dirt.
- Keep all laundry aids (such as detergents, bleaches, etc.) out of the reach of children, preferably in a locked cabinet. Observe all warnings on container labels to avoid injury.
- Never climb on or stand on the dryer top.



WHEN USING YOUR DRYER

- Never reach into the dryer while the drum is moving. Before loading, unloading or adding clothes, wait until the drum has completely stopped.
- Clean the lint filter before each load to prevent lint accumulation inside the dryer or in the room. **DO NOT OPERATE THE DRYER WITHOUT THE LINT FILTER IN PLACE.**
- Do not wash or dry articles that have been cleaned in, washed in, soaked in or spotted with combustible or explosive substances (such as wax, oil, paint, gasoline, degreasers, dry-cleaning solvents, kerosene, etc.). These substances give off vapors that may ignite or explode. Do not add these substances to the wash water. Do not use or place these substances around your washer or dryer during operation.
- Do not place items exposed to cooking oils in your dryer. Items contaminated with cooking oils may contribute to a chemical reaction that could cause a clothes load to catch fire.
- Any article on which you have used a cleaning solvent or that contains flammable materials (such as cleaning cloths, mops, towels used in beauty salons, restaurants or barber shops, etc.) must not be placed in or near the dryer until solvents or flammable materials have been removed. There are many highly flammable items used in homes such as acetone, denatured alcohol, gasoline, kerosene, some household cleaners, some spot removers, turpentine, waxes, wax removers and products containing petroleum distillates.
- The laundry process can reduce the flame retardancy of fabrics. To avoid such a result, carefully follow the garment manufacturer's care instructions.
- Do not dry articles containing rubber, plastic or similar materials such as padded bras, tennis shoes, galoshes, bath mats, rugs, bibs, baby pants, plastic bags or pillows that may melt or burn. Some rubber materials, when heated, can under certain circumstances produce fire by spontaneous combustion.
- Do not store plastic, paper or clothing that may burn or melt on top of the dryer during operation.
- Garments labeled *Dry Away from Heat* or *Do Not Tumble Dry* (such as life jackets containing Kapok) must not be put in your dryer.
- Do not dry fiberglass articles in your dryer. Skin irritation could result from the remaining particles that may be picked up by clothing during subsequent dryer uses.
- To minimize the possibility of electric shock, unplug this appliance from the power supply or disconnect the dryer at the household distribution panel by removing the fuse or switching off the circuit breaker before attempting any maintenance or cleaning (except the removal and cleaning of the lint filter). **NOTE:** Pressing **START/PAUSE** or **POWER** does **NOT** disconnect the appliance from the power supply.

IMPORTANT SAFETY INFORMATION. READ ALL INSTRUCTIONS BEFORE USING.

▲ WARNING!



WHEN USING YOUR DRYER (cont.)

- Never attempt to operate this appliance if it is damaged, malfunctioning, partially disassembled, or has missing or broken parts, including a damaged cord or plug.
- The interior of the machine and the exhaust duct connection inside the dryer should be cleaned at least once a year by a qualified technician. See the *Sorting and Loading Hints* section on page 10.
- You may wish to soften your laundered fabrics or reduce the static electricity in them by using a dryer-applied fabric softener or an antistatic conditioner. We recommend you use either a fabric softener in the wash cycle, according to the manufacturer's instructions for those products, or try a dryer-added product for which the manufacturer gives written assurance on the package that their product can be safely used in your dryer. Service or performance problems caused by use of these products are the responsibility of the manufacturers of those products and are not covered under the warranty of this appliance.



WHEN NOT USING YOUR DRYER

- Grasp the plug firmly when disconnecting this appliance to avoid damage to the cord while pulling. Place the cord away from traffic areas so it will not be stepped on, tripped over or subjected to damage.
- Do not attempt to repair or replace any part of this appliance or attempt any servicing unless specifically recommended in this Owner's Manual or in published user-repair instructions that you understand and have the skills to carry out.
- Before discarding a dryer, or removing it from service, remove the dryer door to prevent children from hiding inside.
- Do not tamper with controls.



READ AND FOLLOW THIS SAFETY INFORMATION CAREFULLY.

SAVE THESE INSTRUCTIONS

About the dryer control panel.

⚠ WARNING! To reduce the risk of fire, electric shock, or injury to persons, read the **IMPORTANT SAFETY INSTRUCTIONS** before operating this appliance.

Throughout this manual, features and appearance may vary from your model.

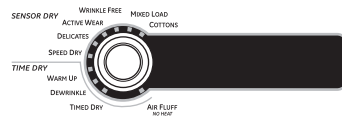
Quick Start

If the screen is dark, press the **POWER** button to “wake up” the display.

1 Press the **POWER** button.



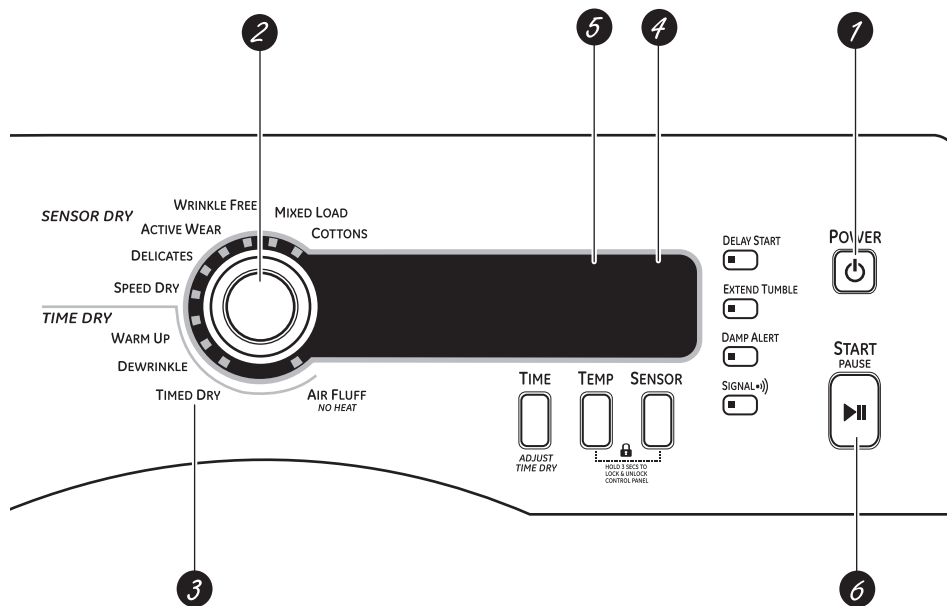
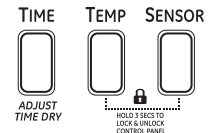
2 Select a cycle by turning the **Cycle Knob**.



3 If you selected a **SENSOR DRY** cycle—just press the **START/PAUSE** button.



If you selected a **TIME DRY** cycle—select your heat setting and the amount of time you want your items to dry by pressing the **TIME** button until the desired time appears in the display. Then press the **START/PAUSE** button.



1 Power Press to “wake up” the display. If the display is active, press to turn the dryer off.

NOTE: Pressing **POWER** does not disconnect the appliance from the power supply.

About the dryer control panel.

2 Dry Cycles

The dry cycle controls the cycle time for the drying process. The chart below will help you match the dry setting with the loads.

Sensor Cycles

COTTONS	For cottons and most linens.
MIXED LOAD	For loads consisting of cottons and poly blends.
WRINKLE FREE	For wrinkle-free/easy care and permanent press items.
ACTIVE WEAR	Clothing worn for active sports exercise and some casual wear. Fabrics include new technology finishes and stretch fibers such as spandex.
DELICATES	For lingerie and special-care fabrics.
SPEED DRY	For small loads that are needed in a hurry, such as sports or school uniforms. Can also be used if the previous cycle left some items damp, such as collars or waistbands.

Time Dry Cycles

WARM UP	Provides 10 minutes of warming time to warm up clothes.
DEWRINKLE	For removing wrinkles from items that are dry or slightly damp. This cycle is not recommended for delicate fabrics.
AIR FLUFF	Use this feature to tumble items without heat.

3 Timed Dry

Use to set your own dry time. **TIMED DRY** is also recommended for small loads.

To use **TIMED DRY**:

1. Turn dry cycle dial to **TIMED DRY**.
2. Select the drying time by pressing the **TIME** button. You can increase the time in 10-minute increments up to 1 hour and 20 minutes.
3. Select the **DRY TEMP**.
4. Close the door.
5. Press **START/PAUSE**.

4 Sensor Dry Level

The sensor continuously monitors the amount of moisture in the load. When the moisture in your clothes reaches your selected dry level, the dryer will stop.

EXTRA DRY	Use for heavy-duty fabrics or items that should be very dry, such as towels.
MORE DRY	Use for heavy or mixed type of fabrics.
DRY	Use for normal dryness level suitable for most loads. This is the preferred cycle for energy saving.
LESS DRY	Use for lighter fabric (ideal for ironing).
DAMP	For leaving items partially damp.

NOTE: The Sensor Dry Levels can only be selected in a Sensory Dry Cycle.

5 Dry Temp

You can change the temperature of your dry cycle.

ANTI-BACTERIAL This option may only be used with **COTTONS** or **MIXED LOAD** cycles. This option reduces certain types of bacteria. The anti-bacterial process occurs when high heat is used during a portion of this drying cycle.

NOTE: Do not use this cycle on delicate fabrics.

HIGH For regular to heavy cottons.

MEDIUM For synthetics, blends and items labeled permanent press.

LOW For delicates, synthetics and items labeled *Tumble Dry Low*.

EXTRA LOW For lingerie and special-care fabrics.

6 START/PAUSE

Press to start a dry cycle. If the dryer is running, press it once and it will pause the dryer. Press it again to restart the dry cycle.

"CLEAN LINT FILTER" (message)

This message stays on until the **START** button is pressed. **This message is only a reminder.**

About cycle options.

NOTE: Not all features are available on all dryer models.

EXTEND TUMBLE



Extend Tumble

Minimizes wrinkles by adding approximately 20 minutes of constant no-heat tumbling followed by 70 minutes of intermittent no-heat tumbling after clothes are dry. The dryer is in **EXTENDED TUMBLE** when the **ESTIMATED CYCLE TIME** display is illuminated in a circular pattern.

The light in the button will light up when **EXTEND TUMBLE** is on.

NOTE: It is normal for the drum to pause for short periods of time during **EXTEND TUMBLE**.

DAMP ALERT



Damp Alert

This option causes the dryer to beep when clothes have dried to a damp level. Remove items that you wish to hang dry. The **DAMP ALERT** will only beep when this option is selected (dry cycle keeps running).

Removing clothes and hanging them when they are damp can reduce the need to iron some items.

The light in the button will light up when **DAMP ALERT** is on.

NOTE: Only for **DRY**, **MORE DRY** and **EXTRA DRY** sensor dry selections.

DELAY START



Delay Start

Use to delay the start of your dryer.

1. Choose your dry cycle and any options.
2. Press the **DELAY START** button. You can change the delay time in 1-hour increments (up to 18 hours) each time you press the **DELAY START** button. Stop pressing the button when your desired time is displayed.
3. Press the **START/PAUSE** button to start the countdown.

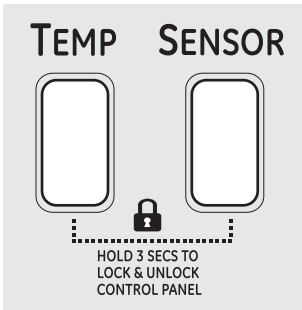
The countdown time will be shown in the **ESTIMATED TIME REMAINING** display.

NOTES:

■ If the door is opened while the dryer is in **DELAY**, the countdown time will continue to count down the delay time. If the door is not closed and the countdown time expires, the cycle will not start until the door is closed and the **START/PAUSE** button is pressed.

■ You can delay the start of a dryer cycle up to 18 hours.

The light in the button will light up when **DELAY START** is on.



Lock

You can lock the controls to prevent any selections from being made. Or you can lock or unlock the controls after you have started a cycle.

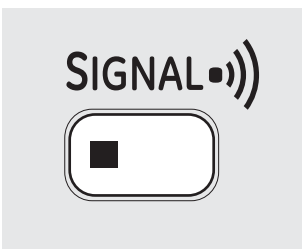
Children cannot accidentally start the dryer by touching pads with this option selected.

To lock the dryer, press and hold the **TEMP** and **SENSOR** buttons together for 3 seconds.

To unlock the dryer controls, press and hold the **TEMP** and **SENSOR** buttons together for 3 seconds. A sound will indicate the lock/unlock status.

The control lock icon on the display will light up when it is on.

NOTE: The **POWER** button can still be used when the machine is locked.



Signal

When the light is “on,” the dryer will beep at the end of the cycle and every time you press a button on the control panel.

To turn the signal off, press the **SIGNAL** button and the light will go off.

Using the dryer.

Always follow fabric manufacturer's care label when laundering.

Sorting and Loading Hints

As a general rule, if clothes are sorted properly for the washer, they are sorted properly for the dryer. Try also to sort items according to size. For example, do not dry a sheet with socks or other small items.

Do not add fabric softener sheets once the load has become warm. They may cause fabric softener stains. Bounce® Fabric Conditioner Dryer Sheets have

been approved for use in this dryer when used in accordance with the manufacturer's instructions.

See below for lint filter cleaning instructions.















Do not overload. This wastes energy and causes wrinkling.

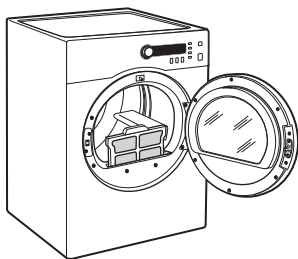
Do not dry the following items: fiberglass items, woollens, rubber-coated items, plastics, items with plastic trim and foam-filled items.

Fabric Care Labels

Below are fabric care label "symbols" that affect the clothing you will be laundering.

Dry Labels

<i>Tumble dry</i>							
	Dry	Normal	Permanent Press/ wrinkle resistant	Gentle/ delicate	Do not tumble dry	Do not dry (used with do not wash)	
<i>Heat setting</i>							
	High	Medium	Low	No heat/air			
	<i>Special instructions</i>						
		Line dry/ hang to dry	Drip dry	Dry flat	In the shade		



Care and Cleaning of the Dryer

Dryer Interior and Duct: The interior of the appliance and exhaust duct should be cleaned once a year by qualified service personnel.

The Exterior: Wipe or dust any spills or washing compounds with a damp cloth. Dryer control panel and finishes may be damaged by some laundry pretreatment soil and stain remover products. Apply these products away from the dryer. The fabric may then be washed and dried normally. Damage to your dryer caused by these products is not covered by your warranty.

Do not touch the surface or the display with sharp objects.

The Lint Filter: Clean the lint filter before each use. Remove by pulling straight up. Open the filter and run your fingers across the filter. A waxy buildup may form on the lint filter from using dryer-added fabric softener sheets. To remove this buildup, wash the lint screen in warm, soapy

water. Dry thoroughly and replace. Do not operate the dryer without the lint filter in place.

Vacuum the lint from the dryer lint filter if you notice a change in dryer performance.

Stainless Steel: To clean stainless steel surfaces, use a damp cloth with a mild, nonabrasive cleaner suitable for stainless steel surfaces. Remove the cleaner residue, and then dry with a clean cloth.

The stainless steel used to make the dryer drum provides the highest reliability available in a GE dryer. If the dryer drum should be scratched or dented during normal use, the drum will not rust or corrode. These surface blemishes will not affect the function or durability of the drum.

The Exhaust Hood: Check with a mirror that the inside flaps of the hood move freely when operating. Make sure that there is no wildlife (birds, insects, etc.) nesting inside the duct or hood.

Installation Instructions

Dryer

DCVH480EK, DCVH485EK, PCVH480EK, PCVH485EK

Questions? Call 800.GE.CARES (800.432.2737) or visit our Website at: GEAppliances.com
In Canada, call 1.800.561.3344 or visit www.GEAppliances.ca

If you are planning to stack the washer and dryer, order Stacking Kit number GE24STACK to be used for this dryer. Kit sold separately.

BEFORE YOU BEGIN

Read these instructions completely and carefully.

- **IMPORTANT** – Save these instructions for local electrical inspector's use.
- **IMPORTANT** – Observe all governing codes and ordinances.
- Install the clothes dryer according to the manufacturer's instructions and local codes.
- **Note to Installer** – Be sure to leave these instructions with the Consumer.
- **Note to Consumer** – Keep these instructions for future reference.
- Clothes dryer installation must be performed by a qualified installer.
- This dryer **must** be exhausted to the outdoors.
- Before the old dryer is removed from service or discarded, remove the dryer door.
- Service information and the wiring diagram are located in the control console.
- Do not allow children on or in the appliance. Close supervision of children is necessary when the appliance is used near children.
- Proper installation is the responsibility of the installer.
- Product failure due to improper installation is not covered under the Warranty.
- Install the dryer where the temperature is above 50°F for satisfactory operation of the dryer control system.
- Remove and discard existing plastic or metal foil duct and replace with UL-listed duct.

FOR YOUR SAFETY:

WARNING – Risk of Fire

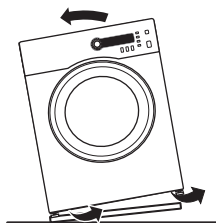
- To reduce the risk of severe injury or death, follow all installation instructions.
- Clothes dryer installation must be performed by a qualified installer.
- Install the clothes dryer according to these instructions and in accordance with local codes.
- This dryer must be exhausted to the outdoors.
- Use only 4" rigid metal ducting for exhausting the clothes dryer to the outdoors.
- DO NOT install a clothes dryer with flexible plastic ducting materials. If flexible metal (semi-rigid or foil-type) duct is installed, it must be UL-listed and installed in accordance with the instructions found in "Connecting the Dryer to House Vent" on page 18 of this manual. Flexible ducting materials are known to collapse, be easily crushed and trap lint. These conditions will obstruct dryer airflow and increase the risk of fire.
- Do not install or store this appliance in any location where it could be exposed to water and/or weather.
- The National Fuel Gas Code restricts installations of gas appliances in garages. They must be 18 inches off the ground and protected by a barrier from vehicles.
- Save these instructions. (Installers: Be sure to leave these instructions with the customer.)

Installation Instructions

UNPACKING YOUR DRYER

Tilt the dryer sideways and remove the foam shipping pads by pulling at the sides and breaking them away from the dryer legs. Be sure to remove all of the foam pieces around the legs.

Remove the bag containing the literature.



LOCATION OF YOUR DRYER

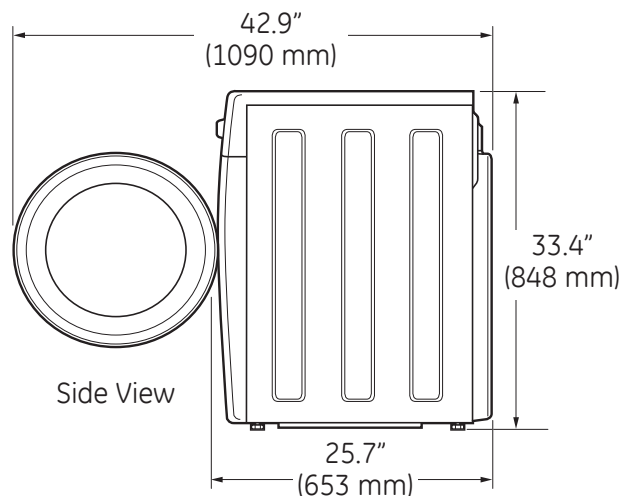
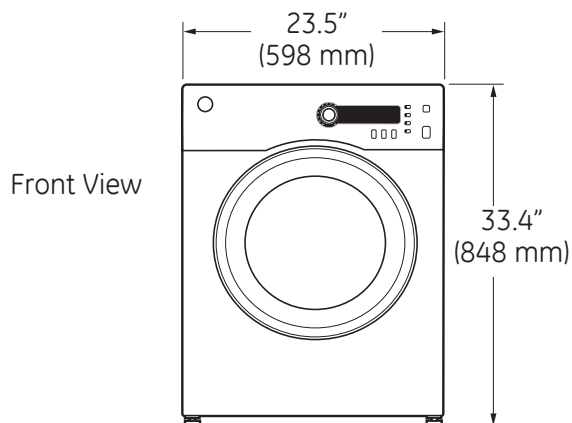
MINIMUM CLEARANCE OTHER THAN ALCOVE OR CLOSET INSTALLATION

Minimum clearance to combustible surfaces and for air openings are:

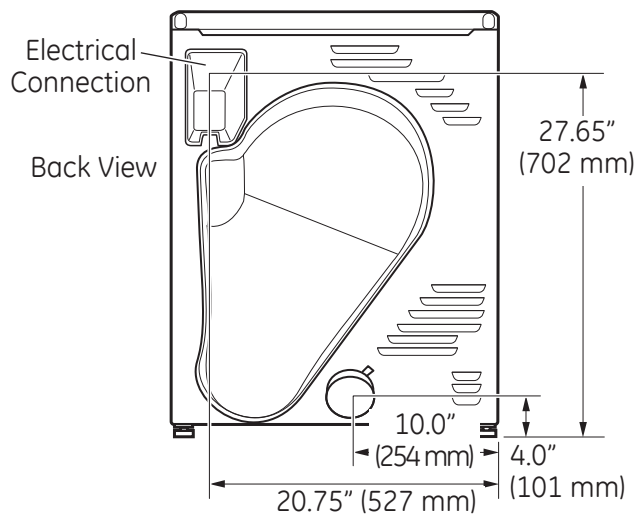
- 0 inch clearance both sides
- 3 inches front and rear

Consideration **must** be given to provide adequate clearance for proper operation and service.

DRYER DIMENSIONS



ELECTRICAL CONNECTION

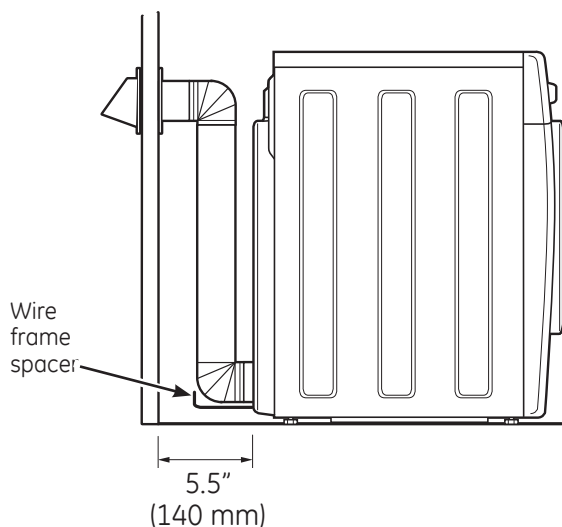


Installation Instructions

REQUIREMENTS FOR ALCOVE OR CLOSET INSTALLATION

- Your dryer is approved for installation in an alcove or closet, as stated on a label on the dryer back.
- The dryer **MUST** be vented to the outdoors. See the EXHAUSTING THE DRYER section.
- Minimum clearance between dryer cabinet and adjacent walls or other surfaces is:
 - 0" either side
 - 3" front and rear
- Minimum vertical space from floor to overhead shelves, cabinets, ceilings, etc., is 52".
- Closet doors must be louvered or otherwise ventilated and have at least 60 square inches of open area equally distributed. If the closet contains both a washer and a dryer, doors must contain a minimum of 120 square inches of open area equally distributed.

NOTE: WHEN THE EXHAUST DUCT IS LOCATED AT THE REAR OF THE DRYER, MINIMUM CLEARANCE FROM THE WALL IS 5.5 INCHES.



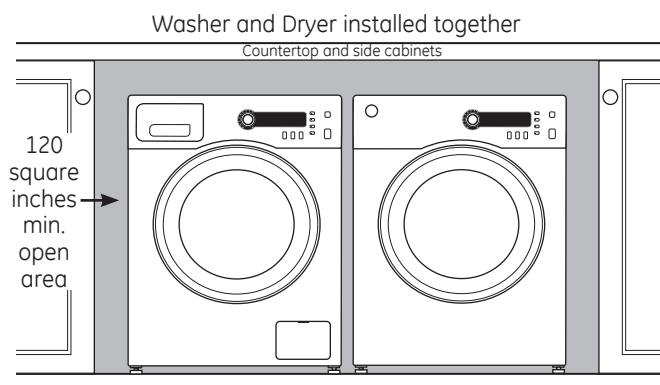
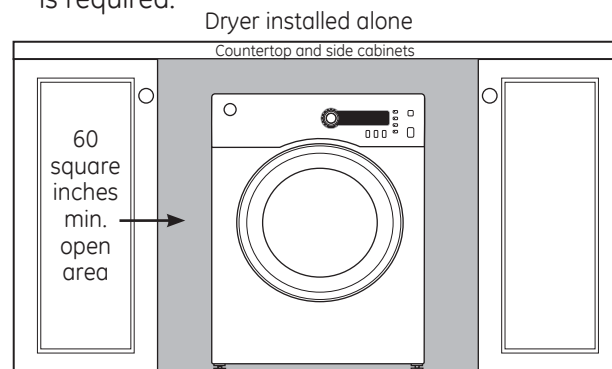
BATHROOM OR BEDROOM INSTALLATION

- The dryer **MUST** be vented to the outdoors. See EXHAUSTING THE DRYER.
- The installation must conform with local codes or, in the absence of local codes, with the NATIONAL ELECTRICAL CODE, ANSI/NFPA NO. 70 (for electric dryers) or NATIONAL FUEL GAS CODE, ANSI Z223 (for gas dryers).

UNDERCOUNTER INSTALLATION

If an undercounter installation is desired:

- No special dryer installation kit is required.
- If the dryer is installed alone, a minimum of 60 square inches of open area is required. If a washer and dryer are installed together, a minimum of 120 square inches of open area is required.



MOBILE OR MANUFACTURED HOME INSTALLATION

- The installation must conform to the MANUFACTURED HOME CONSTRUCTION & SAFETY STANDARD, TITLE 24, PART 32-80 or, when such standard is not applicable, with AMERICAN NATIONAL STANDARD FOR MOBILE HOME, NO. 501B.
- The dryer **MUST** be vented to the outdoors with the termination securely fastened to the mobile home structure. (See EXHAUSTING THE DRYER.)
- The vent **MUST NOT** be terminated beneath a mobile or manufactured home.
- The vent duct material **MUST BE METAL**.
- Do not use sheet metal screws or other refastening devices which extend into the interior of the exhaust vent.
- Provide an opening with a free area of at least 25 sq. in. for introduction of outside air into the dryer room.

Installation Instructions

CONNECTING AN ELECTRIC DRYER

TOOLS YOU WILL NEED



Slip joint pliers



Phillips screwdriver



Flat-blade screwdriver



Level

MATERIALS YOU WILL NEED



4" dia. metal elbow



Gloves



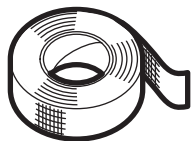
4" duct clamps (2) or
4" spring clamps (2)



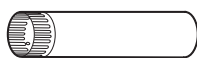
Exhaust hood



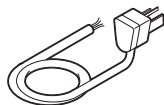
Safety glasses



Duct tape



4"-dia. metal duct
(recommended)



Dryer power cord kit
6 ft. long (not
provided with dryer)



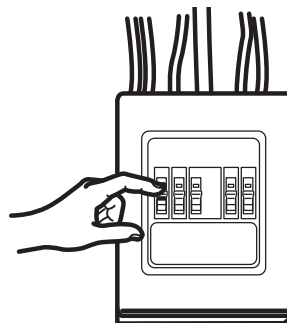
4"-dia., UL-listed
flexible metal duct (if
needed)

UL-rated 120/240V,
30A with 3 or 4 prongs.
Identify the plug type as
per the house receptacle
before purchasing line
cord. (4-prong cord set
is included and installed
on Canadian models
PCVH480 and PCVH485.)
Stacking installations
may require a power
cord up to 6 feet in
length.

FOR YOUR SAFETY:

⚠ WARNING

Before making the electrical connection, turn off the circuit breaker(s) or remove the dryer's circuit fuse(s) at the electrical box. Be sure the dryer cord is unplugged from the wall. NEVER LEAVE THE ACCESS COVER OFF THE TERMINAL BLOCK.



ELECTRICAL CONNECTION INFORMATION FOR ELECTRIC DRYERS

⚠ WARNING – To reduce the risk of fire, electrical shock and personal injury:

- Do not use an extension cord or an adapter plug with this appliance.
- The dryer must be electrically grounded in accordance with local codes and ordinances or, in the absence of local codes, in accordance with the NATIONAL ELECTRICAL CODE, ANSI/NFPA NO. 70.

Installation Instructions

ELECTRICAL REQUIREMENTS FOR ELECTRIC DRYERS

This dryer must be connected to an individual branch circuit, protected by the required time-delay fuses or circuit breakers. A three- or four-wire, single-phase, 120/240V or 120/208V, 60Hz, 30-amp circuit is required.

If the electric supply does not meet the above specifications, then call a licensed electrician.

NOTE: For Canadian consumers with models PCVH480 and PCVH485, cord set installation is not required. Please skip to the next section, *Exhausting the Dryer*.

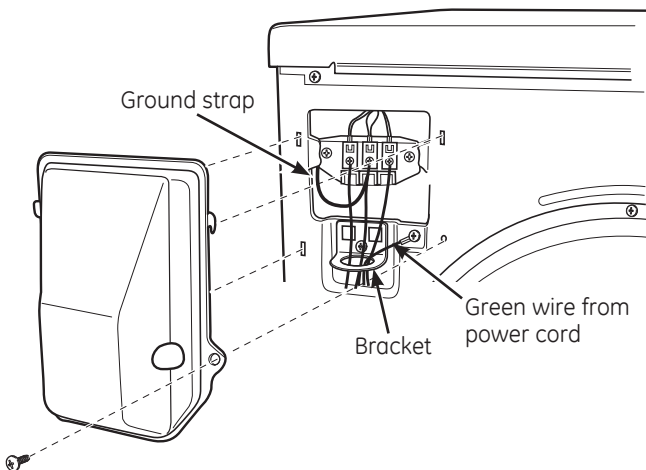
GROUNDING INSTRUCTIONS

This dryer must be connected to a grounded metal, permanent wiring system, or an equipment-grounding conductor must be run with the circuit conductors and connected to the equipment-grounding terminal on the appliance.

CONNECTING DRYER USING 4-WIRE CONNECTION (MUST BE USED FOR MOBILE HOME INSTALLATION)

NOTE: Since January 1, 1996, the National Electrical Code requires that new constructions utilize a 4-wire connection to an electric dryer. A 4-wire cord must also be used where local codes do not permit grounding through the neutral.

3-wire connection is NOT for use on new construction.



CONNECTING DRYER USING 4-WIRE CONNECTION (MUST BE USED FOR MOBILE HOME INSTALLATION) (cont.)

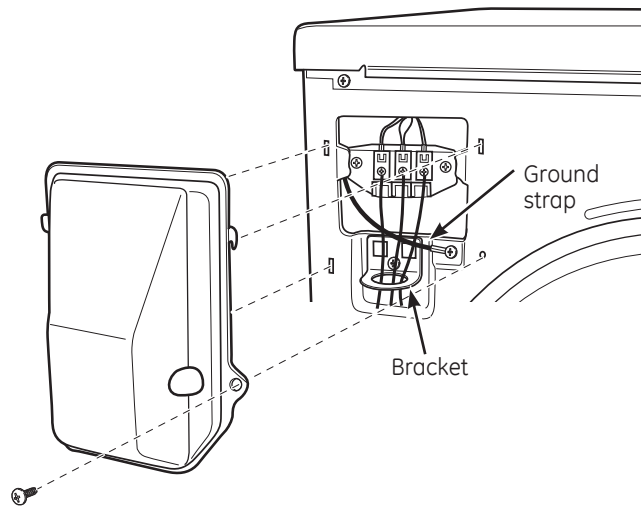
1. Turn off the circuit breaker(s) (30 amp) or remove the dryer's circuit fuse at the electrical box.
2. Be sure the dryer cord is unplugged from the wall receptacle.
3. Remove the power cord cover located at the upper back.
4. Remove the green ground screw and attach the ground strap to the center terminal along with the (white) neutral line described below. Keep the green ground screw for Step 7.
5. Bring the power cord through the bracket.
6. Connect power cord as follows:
 - A. Connect the 2 hot lines to the outer screws of the terminal block (marked L1 and L2).
 - B. Connect the neutral (white) line to the center of the terminal block (marked N).
7. Attach ground wire of power cord with the green ground screw (hole above strain relief bracket). Tighten all terminal block screws (3) completely.
8. Reinstall the cover.

⚠ WARNING – NEVER LEAVE THE COVER OFF OF THE TERMINAL BLOCK.

Installation Instructions

CONNECTING AN ELECTRIC DRYER (cont.)

CONNECTING DRYER USING 3-WIRE CONNECTION



1. Turn off the circuit breaker(s) (30 amp) or remove the dryer's circuit fuse at the electrical box.
2. Be sure the dryer cord is unplugged from the wall receptacle.
3. Remove the power cord cover located at the upper back.
4. Bring the power cord through the bracket.
5. Connect power cord as follows:
 - A. Connect the 2 hot lines to the outer screws of the terminal block (marked L1 and L2).
 - B. Connect the neutral (white) line to the center of the terminal block (marked N).
6. Be sure ground strap is connected to green ground screw on cabinet rear. Tighten all terminal block screws (3) completely.
7. Reinstall the cover.

⚠ WARNING – NEVER LEAVE THE COVER OFF OF THE TERMINAL BLOCK.

Installation Instructions

EXHAUSTING THE DRYER

⚠ WARNING – To reduce the risk of fire or personal injury:

- This clothes dryer must be exhausted to the outdoors.
- Use only 4" rigid metal ducting for the home exhaust duct.
- Use only 4" rigid metal or UL-listed flexible metal (semi-rigid or foil-type) duct to connect the dryer to the home exhaust duct. It must be installed in accordance with the instructions found in "Connecting the Dryer to House Vent" on page 18 of this manual.
- Do not terminate exhaust in a chimney, a wall, a ceiling, gas vent, crawl space, attic, under an enclosed floor, or in any other concealed space of a building.
- Never terminate the exhaust into a common duct with a kitchen exhaust system. A combination of grease and lint create a potential fire hazard.
- Do not use duct longer than specified in the exhaust length table. Longer ducts can accumulate lint, creating a potential fire hazard.
- Never install a screen in or over the exhaust duct. This will cause lint to accumulate, creating a potential fire hazard.
- Do not assemble ductwork with any fasteners that extend into the duct. These fasteners can accumulate lint, creating a potential fire hazard.
- Do not obstruct incoming or exhausted air.
- Provide an access for inspection and cleaning of the exhaust system, especially at turns and joints. Exhaust system shall be inspected and cleaned at least once a year.
- This dryer comes ready for rear exhausting. If space is limited, use the instructions on pages 21–23 to exhaust directly from the sides or bottom of the cabinet.

TOOLS AND MATERIALS YOU WILL NEED TO INSTALL EXHAUST DUCT



- Phillips-head screwdriver



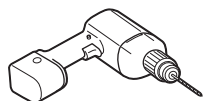
- Duct tape or duct clamp



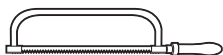
- Rigid or UL-listed flexible metal 4" (10.2 cm) duct



- Vent hood



- Drill with 1/8" drill bit (for bottom venting)



- Hacksaw

EXHAUST SYSTEM CHECKLIST

HOOD OR WALL CAP

- Terminate in a manner to prevent back drafts or entry of birds or other wildlife.
- Termination should present minimal resistance to the exhaust airflow and should require little or no maintenance to prevent clogging.
- Never install a screen in or over the exhaust duct.
- Wall caps must be installed at least 12" above ground level or any other obstruction with the opening pointed down.

SEPARATION OF TURNS

- For best performance, separate all turns by at least 4 ft. of straight duct, including distance between last turn and dampened wall cap. For turns less than 4 ft. apart, see the Ducting Component Equivalency Chart.

SEALING OF JOINTS

- All joints should be tight to avoid leaks. The male end of each section of duct must point away from the dryer.
- Do not assemble the ductwork with fasteners that extend into the duct. They will serve as a collection point for lint.
- Duct joints should be made air- and moisture-tight by wrapping the overlapped joints with duct tape or aluminum tape.
- Horizontal runs should slope down towards outdoors 1/4" per foot.

INSULATION

- Ductwork that runs through an unheated area or is near air conditioning should be insulated to reduce condensation and lint buildup.

Installation Instructions

EXHAUSTING THE DRYER (cont.)

CONNECTING THE DRYER TO HOUSE VENT

RIGID METAL TRANSITION DUCT

- For best drying performance, a rigid metal transition duct is recommended.
- Rigid metal transition ducts reduce the risk of crushing and kinking.

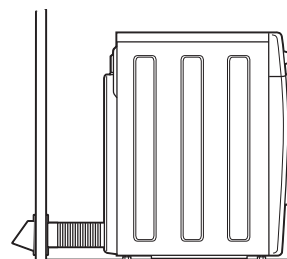
UL-LISTED FLEXIBLE METAL (SEMI-RIGID) TRANSITION DUCT

- If rigid metal duct cannot be used, then UL-listed flexible metal (semi-rigid) ducting can be used (Kit WX08X10077).
- Never install flexible metal duct in walls, ceilings, floors or other enclosed spaces.
- Total length of flexible metal duct should not exceed 8 feet (2.4 m).
- For many applications, installing elbows at both the dryer and the wall is highly recommended (see illustrations at right). Elbows allow the dryer to sit close to the wall without kinking and/or crushing the transition duct, maximizing drying performance.
- Avoid resting the duct on sharp objects.

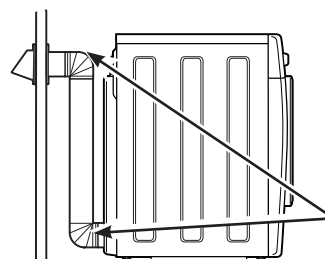
UL-LISTED FLEXIBLE METAL (FOIL-TYPE) TRANSITION DUCT

- In special installations, it may be necessary to connect the dryer to the house vent using a flexible metal (foil-type) duct. A UL-listed flexible metal (foil-type) duct may be used ONLY in installations where rigid metal or flexible metal (semi-rigid) ducting cannot be used AND where a 4" diameter can be maintained throughout the entire length of the transition duct.
- In Canada and the United States, only the flexible metal (foil-type) ducts that comply with the "Outline for Clothes Dryer Transition Duct, Subject 2158A" shall be used.
- Never install flexible metal duct in walls, ceilings, floors or other enclosed spaces.
- Total length of flexible metal duct should not exceed 8 feet (2.4 m).
- Avoid resting the duct on sharp objects.
- For best drying performance:
 1. Slide one end of the duct over the clothes dryer outlet pipe.
 2. Secure the duct with a clamp.
 3. With the dryer in its permanent position, extend the duct to its full length. Allow 2" of duct to overlap the exhaust pipe. Cut off and remove excess duct. Keep the duct as straight as possible for maximum airflow.
 4. Secure the duct to the exhaust pipe with the other clamp.

FOR TRANSITION VENTING (DRYER TO WALL), DO:



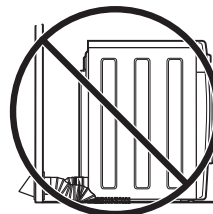
- **DO** cut duct as short as possible and install straight into wall.



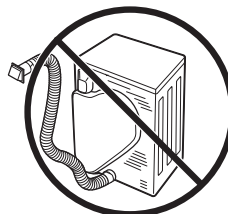
- **DO** use elbows when turns are necessary.

Elbows

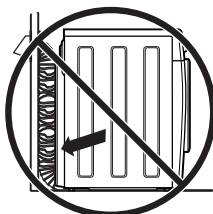
DO NOT:



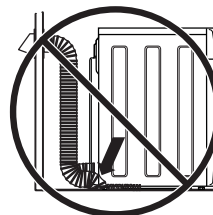
- **DO NOT** bend or collapse ducting. Use elbows if turns are necessary.



- **DO NOT** use excessive exhaust length. Cut duct as short as possible.



- **DO NOT** crush duct against the wall.



- **DO NOT** set dryer on duct.

Installation Instructions

⚠ WARNING

USE ONLY METAL DUCT 4" DIAMETER (102 mm FOR CANADA). DO NOT USE DUCT LONGER THAN SPECIFIED IN THE EXHAUST LENGTH TABLE.

Dryer Exhausting Information—Metal Duct Only

Ducting Materials: For best performance, this dryer should be vented with 4" diameter all-rigid metal exhaust duct.

Exhaust Length Calculation:

1. Determine the number of 90° turns needed for your installation.
2. The maximum length of 4' rigid (aluminum or galvanized) duct which can be tolerated is shown in the table.

A turn of 45° or less may be ignored. Two 45° turns within the duct length should be treated as a 90° elbow.

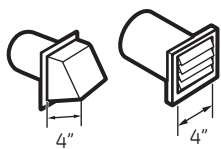
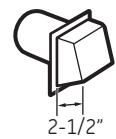
A turn over 45° should be treated as a 90° elbow.

⚠ CAUTION: For personal safety, do not terminate exhaust into a chimney, under any enclosed house floor (crawl space), or into an attic, since the accumulated lint could create a fire hazard or moisture could cause damage. Never terminate the exhaust into a common duct or plenum with a kitchen exhaust, since the combination of lint and grease could create a fire hazard.

Exhaust ducts should be terminated in a dampered wall cap to prevent back drafts, bird nesting, etc. The wall cap must also be located at least 12" above the ground or any other obstruction with the opening pointed down.

Other terminations, such as louvered wall boxes, are acceptable provided they are equivalent to a 4" opening dampered wall cap.

For more information on venting kits and accessories, please call 1.800.GE.CARES.

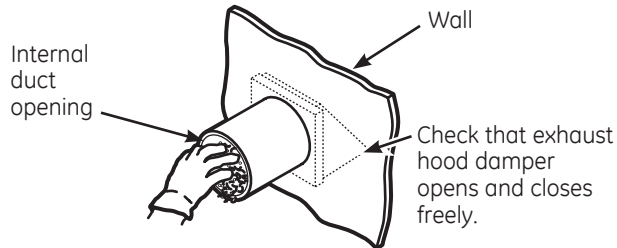
		Best Performance	
		Maximum Length of a 4" Dia. Rigid Metal Duct	
		Exhaust Hood Type	
			
		A 4" Opening	B 2-1/2" Opening
Front-Loading Dryers	Number of 90° Turns		
	0	90 ft.	60 ft.
	1	60 ft.	45 ft.
	2	45 ft.	35 ft.
	3	35 ft.	25 ft.

Installation Instructions

EXHAUSTING THE DRYER (cont.)

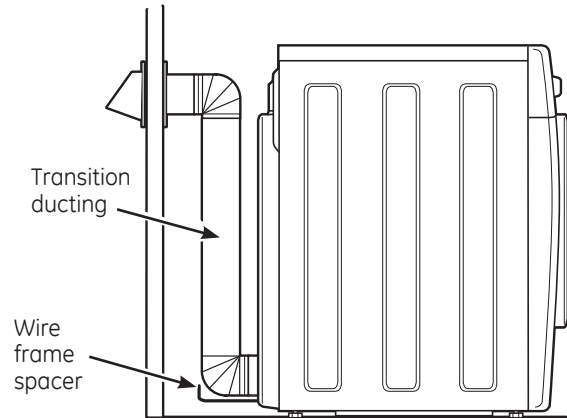
BEFORE YOU BEGIN

- Remove and discard existing plastic or metal duct and replace with UL-listed duct.
- Remove any lint from the wall exhaust opening.



RECOMMENDED CONFIGURATION TO MINIMIZE EXHAUST BLOCKAGE

Using duct elbows will prevent duct kinking and collapsing.

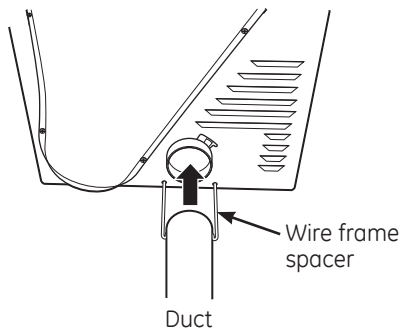


STANDARD REAR EXHAUST

We recommend that you install your dryer before installing your washer. This will permit direct access for easier exhaust connection.

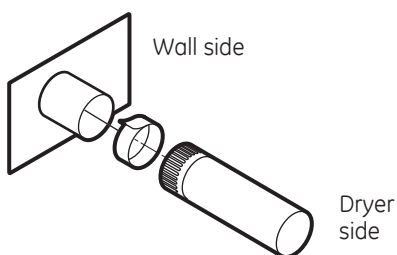
Pull out the wire spacer and swing upward to its full extension. Let the wire spacer lay flat and extended on the floor. This will prevent the dryer from being pushed too close to a wall or object, causing the ducting to come loose from the dryer.

Slide the end of the exhaust duct on the back of the dryer and secure with duct tape or a hose clamp.



NOTE: We strongly recommend using rigid metal exhaust duct.

- For straight-line installation, connect the dryer exhaust to the wall, using duct tape.

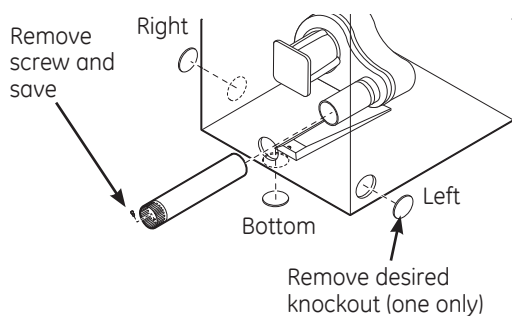


Installation Instructions

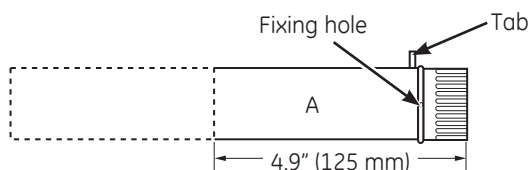
SIDE VENTING:

Dryer Exhaust to side of cabinet

⚠ WARNING – BEFORE PERFORMING THIS EXHAUST INSTALLATION, BE SURE TO DISCONNECT THE DRYER FROM ITS ELECTRICAL SUPPLY. PROTECT YOUR HANDS AND ARMS FROM SHARP EDGES WHEN WORKING INSIDE THE CABINET. BE SURE TO WEAR GLOVES.

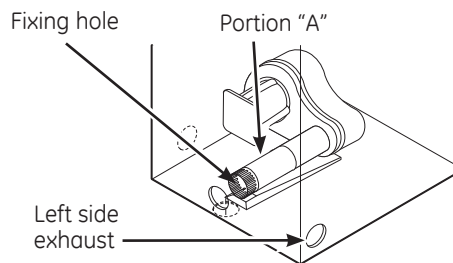


Detach and remove the bottom, right or left side knockout as desired. Remove the screw from the rear of the casing and save. Pull the duct out of the dryer.



Cut the duct as shown and keep portion A.

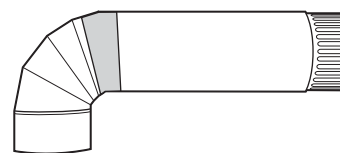
ADDING A NEW DUCT



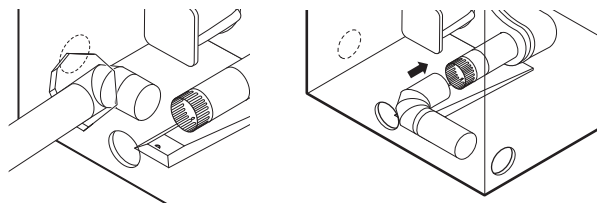
Reconnect the cut portion (A) of the duct to the blower housing. Make sure that the screw holes in the duct and ramp base are aligned. Use the screw saved previously to secure the duct in place through the ramp on the appliance base.

ADDING ELBOW AND DUCT FOR EXHAUST TO LEFT OR RIGHT SIDE OF CABINET

- Tape the connection between the duct and elbow.

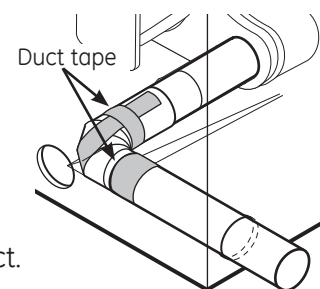


- Insert the duct with elbow through the rear opening and connect to the internal duct.



⚠ CAUTION: Be sure not to pull or damage the electrical wires inside the dryer when inserting the duct. A slight interference may occur between the exhaust and the wire components.

- Apply duct tape as shown on the joint between the dryer internal duct and the elbow, and also the joint between the elbow and the side duct.



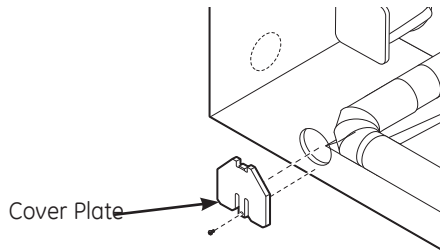
⚠ CAUTION: Internal duct joints must be secured with tape; otherwise, they may separate and cause a safety hazard.

Installation Instructions

EXHAUSTING THE DRYER (cont.)

SIDE VENTING (cont.)

ADDING COVER PLATE TO REAR OF CABINET (SIDE EXHAUST)



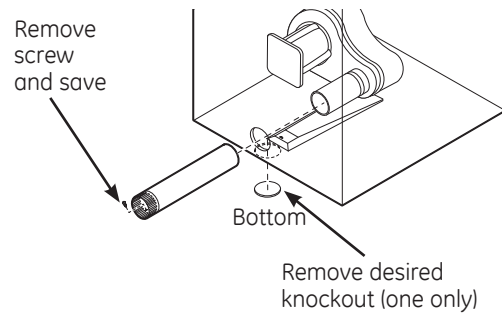
Connect standard metal elbows and ducts to complete the exhaust system. Cover back opening with a cover plate (Cover Plate - WE1M454) available from your local service provider. Place dryer in final location.

⚠ WARNING – NEVER LEAVE THE BACK OPENING WITHOUT THE PLATE. COVER BACK OPENING WITH A COVER PLATE (COVER PLATE - WE1M454) AVAILABLE FROM YOUR LOCAL SERVICE PROVIDER.

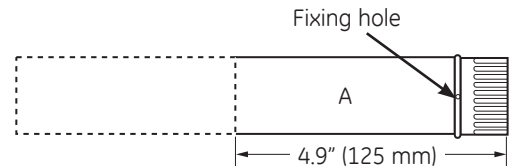
BOTTOM VENTING:

Dryer Exhaust to the bottom of cabinet

⚠ WARNING – BEFORE PERFORMING THIS EXHAUST INSTALLATION, BE SURE TO DISCONNECT THE DRYER FROM ITS ELECTRICAL SUPPLY. PROTECT YOUR HANDS AND ARMS FROM SHARP EDGES WHEN WORKING INSIDE THE CABINET. BE SURE TO WEAR GLOVES.



Remove the screw inside the dryer exhaust duct and save. Pull the duct out of the dryer. Detach and remove the bottom knockout.



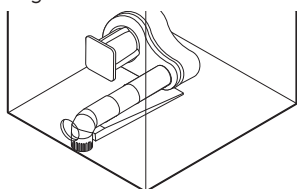
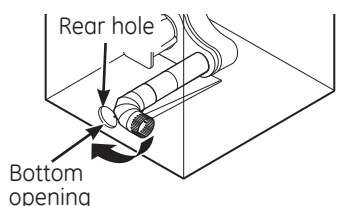
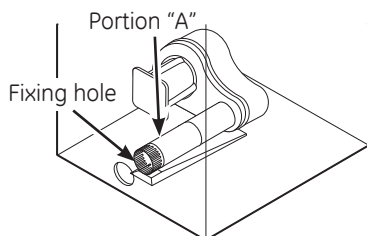
Cut the duct as shown and keep portion A.

Installation Instructions

BOTTOM VENTING (cont.)

ADDING A NEW DUCT

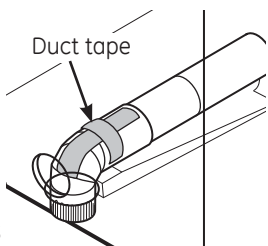
- Reconnect the cut portion A of the duct to the blower housing.
- Tape the elbow in a 90-degree position to prevent rotation.
- Insert the elbow through the rear hole and connect it to portion A. Rotate the elbow through the bottom opening.



⚠ CAUTION: Be sure not to pull or damage the electrical wires inside the dryer when inserting the duct.

- While still holding down the pipe and elbow from the rear opening, screw the pipes in place with the previously saved screw.
- Apply duct tape as shown on the joint between the dryer internal duct and the elbow.

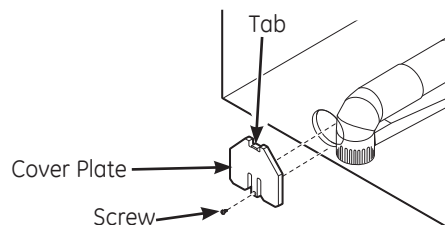
NOTE: Make sure the tape covers the screw hole in portion A where it connects to the elbow.



⚠ CAUTION: Internal duct joints must be secured with tape; otherwise, they may separate and cause a safety hazard.

Dryer Exhaust to the bottom of cabinet.

ADDING COVER PLATE TO REAR OF CABINET (BOTTOM EXHAUST)



Connect standard metal elbows and ducts to complete the exhaust system. Cover back opening with a cover plate (Cover Plate - WE1M454) available from your local service provider.

Insert the tab at the top of the cover plate into the opening. Fasten screw at the bottom of the cover plate.

Place dryer in final location.

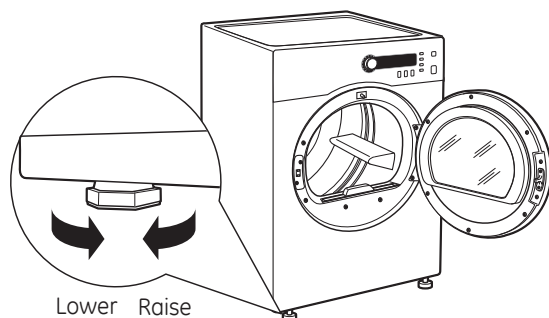
⚠ WARNING – NEVER LEAVE THE BACK OPENING WITHOUT THE PLATE. COVER BACK OPENING WITH A COVER PLATE (COVER PLATE - WE1M454) AVAILABLE FROM YOUR LOCAL SERVICE PROVIDER.

Installation Instructions

FINAL SETUP

1 LEVEL THE DRYER

Stand the dryer upright near the final location and adjust the four leveling legs at the corners to ensure that the dryer is level from side to side and front to rear.



4 DRYER STARTUP

Press the **POWER** button.

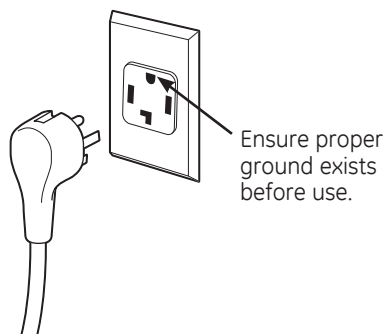
POWER



NOTE: If the dryer has been exposed to temperatures below freezing for an extended period of time, allow it to warm up before pressing **POWER**. Otherwise, the display will not come on. The dryer is now ready for use.

2 PLUG DRYER IN

NOTE: Stacking installations may require a power cord up to 6 feet in length.



SERVICING

⚠ WARNING – Label all wires prior to disconnection when servicing controls. Wiring errors can cause improper and dangerous operation after servicing/installation.

For replacement parts and other information, refer to the back cover for servicing phone numbers.

3 GROUNDING INSTRUCTIONS

This appliance must be grounded. In the event of malfunction or breakdown, grounding will reduce the risk of electric shock by providing a path of least resistance for electric current. This appliance is equipped with a cord having an equipment-grounding conductor and a grounding plug. The plug must be plugged into an appropriate outlet that is properly installed and grounded in accordance with all local codes and ordinances.

Installation Instructions

REVERSING THE DOOR SWING (if desired)

IMPORTANT NOTES

- Read the instructions all the way through before starting.
- Handle parts carefully to avoid scratching paint.
- Provide a nonscratching work surface for the doors.
- Set screws down by their related parts to avoid using them in the wrong places.
- All screws must be hand-tightened.
- Normal completion time to reverse the door swing is 20–30 minutes.

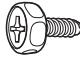
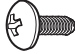

IMPORTANT: Once you begin, do not move the cabinet until door-swing reversal is completed.

These instructions are for changing the hinges from the right side to the left side—if you ever want to switch them back to the right side, follow these same instructions and reverse all references to the left and right.

TOOLS YOU WILL NEED

- ☐ Phillips-head screwdriver 

HARDWARE USED

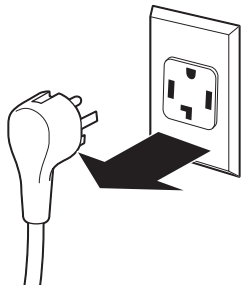
- ☐ Mounting Screw 
- ☐ Hinge Bracket Anchoring Screws 
- ☐ Door and Latch Screws 

Installation Instructions

REVERSING THE DOOR SWING (if desired)

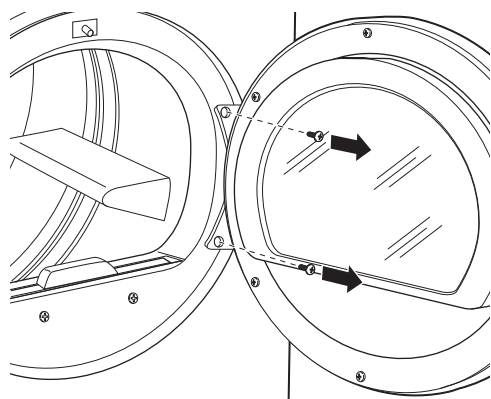
BEFORE YOU START

Unplug the dryer from its electrical outlet.

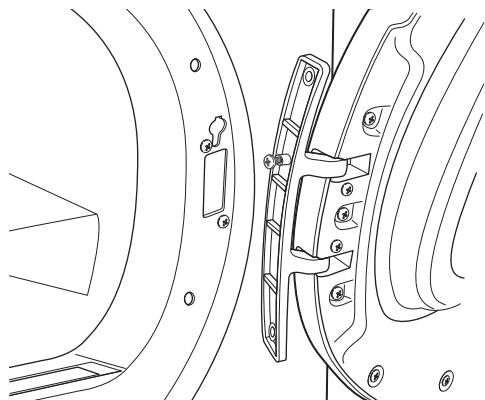


1 REMOVE THE DOOR ASSEMBLY

Remove hinge bracket anchoring screws.

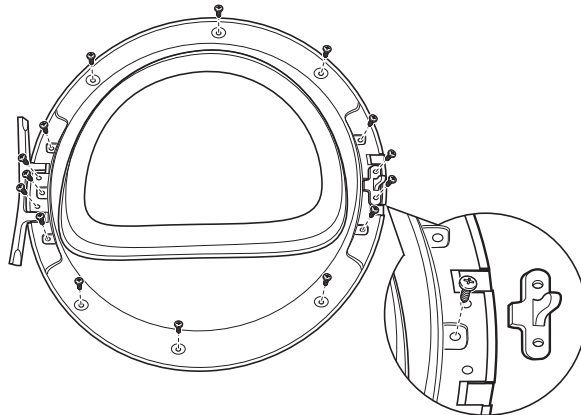


Slide door and hinge assembly upward; then remove the assembly from the dryer front panel.

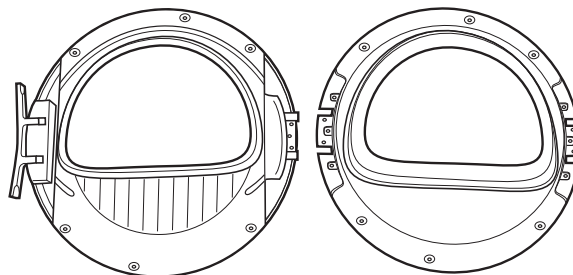


2 DISASSEMBLE THE DOOR ASSEMBLY

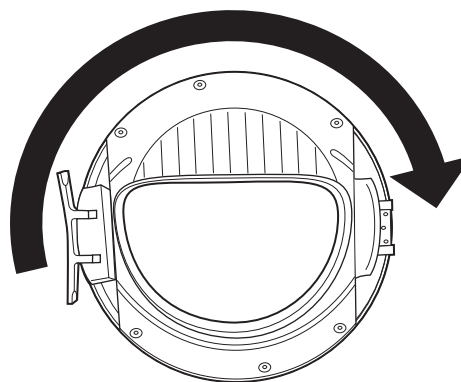
Remove 16 door screws and male end of latch from the inner side of the door.



Remove the inner face.



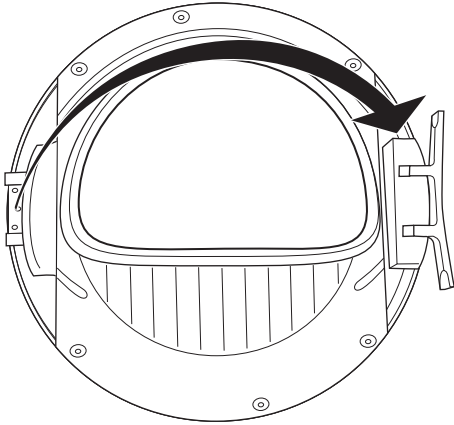
Lift and rotate the window assembly 180° and replace. Also rotate the inner face 180° and replace.



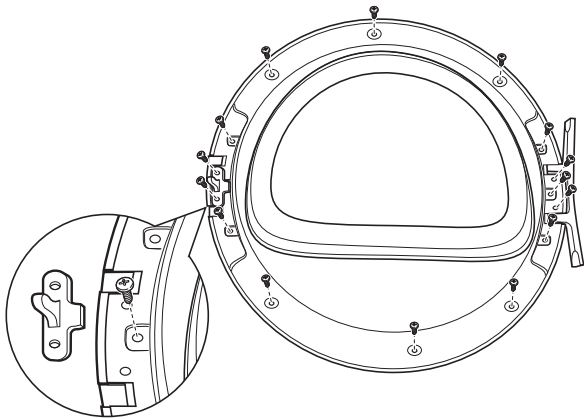
Installation Instructions

3 REPLACE DOOR ASSEMBLY

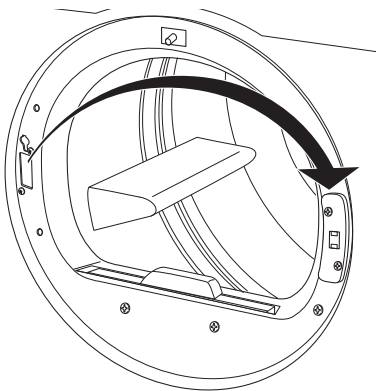
Replace a door screw in the center of the side opposite the hinge. Then put the male end of the latch into place and fasten with two door screws.



Replace all door screws that were removed.

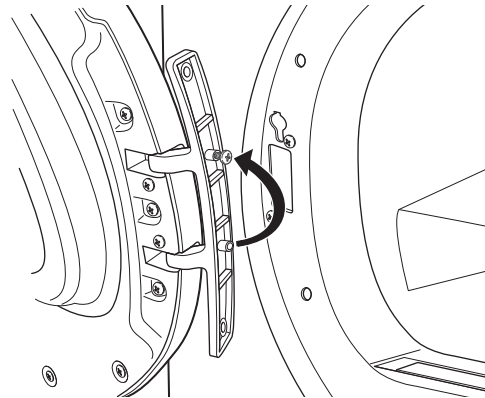


Remove the female end of the latch from the front panel of the dryer, rotate 180° and replace on the opposite side.

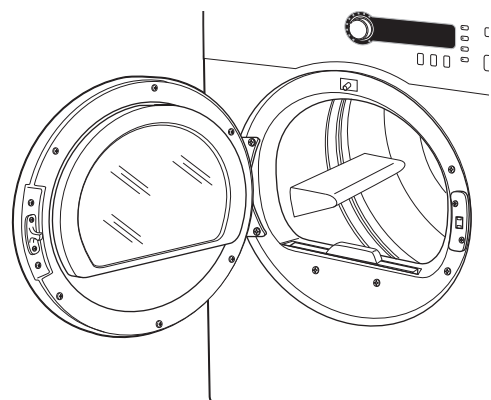
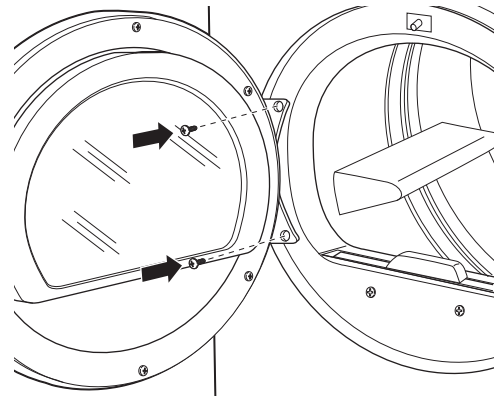


3 REPLACE DOOR ASSEMBLY (CONT.)

Move the mounting screw to the upper screw hole position on the hinge so that the door can be set on the cabinet during final installation.



Fasten the hinge back on at the top and bottom with the hinge mounting screws.



Installation Instructions

STACKING THE WASHER AND DRYER (if desired)

If you are planning to stack the washer and dryer, order Stacking Kit number GE24STACK to be used for this dryer. Kit sold separately.

BEFORE YOU BEGIN

Read these instructions completely and carefully.

- **IMPORTANT** – Save these instructions for local electrical inspector's use.
- **IMPORTANT** – Observe all governing codes and ordinances.
- **Note to Installer** – Be sure to leave these instructions with the Consumer.
- **Note to Consumer** – Keep these instructions for future reference.
- Service **must** be performed by a qualified installer.
- Proper installation is the responsibility of the installer.
- Stacking installations may require a power cord up to 6 feet in length.

FOR YOUR SAFETY:

WARNING –

- Electric Shock Hazard. Disconnect power before installing. Failure to do so could result in serious injury or death.
- **Potential Personal Injury. More than two people are recommended to lift the dryer into position because of its weight and size. Failure to do so could result in personal injury or death.**
- Avoid Tipping and Rupture of Utility Services. Dryer must be securely attached to the washer. **DO NOT** place the washer on top of the dryer. Failure to do so could result in personal injury/ death or property damage.

MINIMUM CLEARANCE OTHER THAN ALCOVE OR CLOSET INSTALLATION

Minimum clearance to combustible surfaces and for air opening are: 0" both sides and 3" front and rear. Consideration must be given to provide adequate clearance for installation and service.

REQUIREMENTS FOR ALCOVE OR CLOSET INSTALLATION

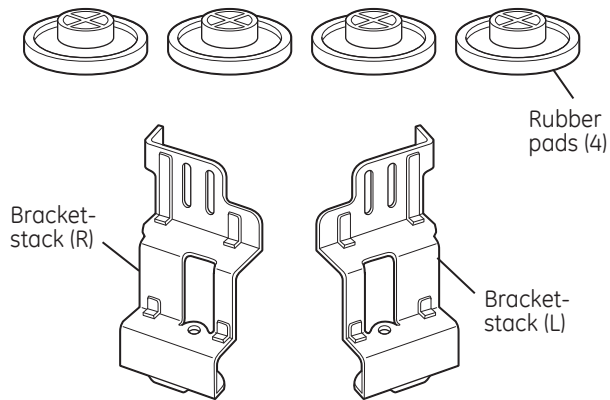
- Your dryer is approved for installation in an alcove or closet, as stated on a label on the dryer back.
- The dryer **MUST** be vented to the outdoors. See the EXHAUSTING THE DRYER section.
- Minimum clearance between dryer cabinet and adjacent walls or other surfaces is:
 - 0" either side
 - 3" front and rear
- Minimum vertical space from floor to overhead shelves, cabinets, ceilings, etc., is 67.7".
- Closet doors must be louvered or otherwise ventilated and have at least 60 square inches of open area equally distributed. If the closet contains both a washer and a dryer, doors must contain a minimum of 120 square inches of open area equally distributed.

NOTE: WHEN THE EXHAUST DUCT IS LOCATED AT THE REAR OF THE DRYER, MINIMUM CLEARANCE FROM THE WALL IS 5.5 INCHES.

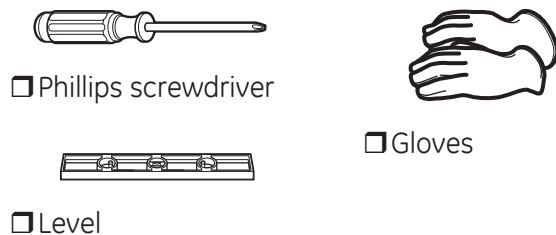
Installation Instructions

KIT CONTENTS (GE KIT #GE24STACK)

 — Screws (4)



TOOLS YOU WILL NEED



INSTALLATION PREPARATION

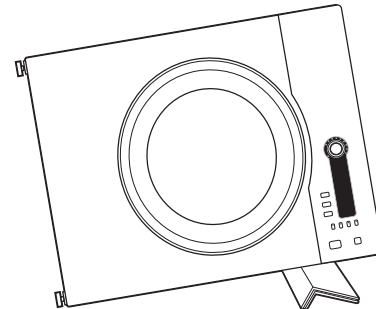
Remove the packaging.

Flatten the product carton to use as a pad to lay the dryer down on its side. Continue using the carton to protect the finished floor in front of the installation location.

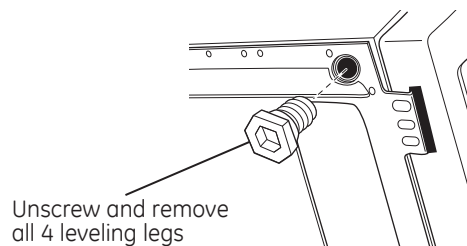
INSTALLING THE STACK BRACKET KIT

1 REMOVE THE DRYER LEVELING LEGS

- A. Carefully lay the dryer on its side. Use the packing material so you don't scratch the finish on the dryer.

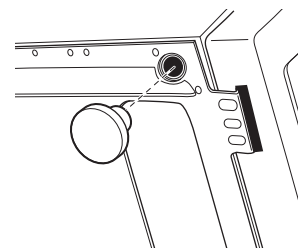


- B. Remove the dryer leveling legs.



2 INSTALL RUBBER PADS TO DRYER BASE

- A. Locate the 4 rubber pads in the parts package. Insert rubber pads into the leveling leg holes.



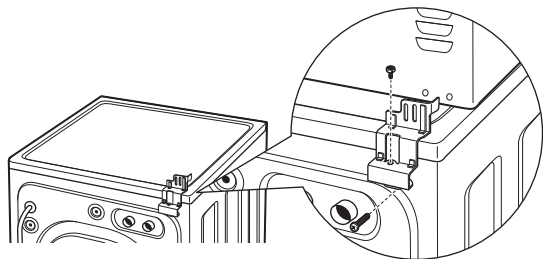
- B. Set the dryer upright.

Installation Instructions

STACKING THE WASHER AND DRYER (if desired) (cont.)

3 INSTALL BRACKET TO WASHER

- A. Remove washer top cap screw from the rear left. Align left bracket holes with top cap screw hole on rear left of the unit and replace screw.
NOTE: Leave screws loose so dryer hole alignment will be easier.
- B. Drive next screw through the bracket into the rear of the washer.
- C. Repeat the above steps with the right side.

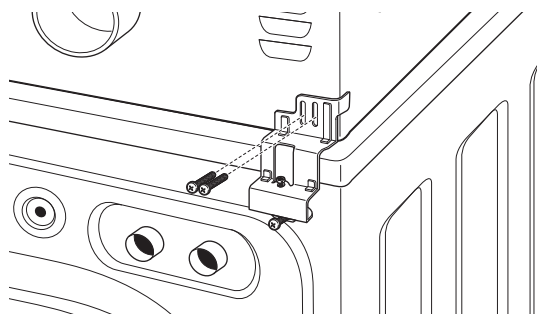


4 INSTALL DRYER AND BRACKET ON DRYER

- A. Lift the dryer on top of the washer. Protect the washer control panel with cardboard or other protection. Be sure to lift the dryer high enough to clear the washer control panel.

⚠ WARNING – Potential Personal Injury. More than two people are recommended to lift the dryer into position because of its weight and size. Failure to do so could result in personal injury or death.

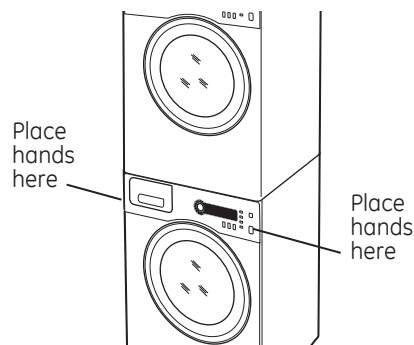
- B. Align the holes in the bracket with the holes in the back of the dryer. Using a Phillips screwdriver, attach the 2 #8 x 1/2" tapping screws.
- C. Tighten the dryer bracket screws; then tighten all stacking kit screws.



5 FINALIZE THE INSTALLATION

- A. Refer to the washer Installation Instructions to complete the washer installation.
- B. Refer to the dryer Installation Instructions to complete the dryer installation.
- C. Carefully slide or walk the stacked washer and dryer into place. Use felt pads or other sliding device to assist moving and to protect flooring.

⚠ WARNING – Potential Personal Injury. Do not push on the dryer once installed to top of the washer. Pushing on the dryer may result in pinched fingers.



Safety Instructions

Operating Instructions

Troubleshooting Tips

Consumer Support

Before you call for service...



Troubleshooting Tips

Save time and money! Review the charts on the following pages, or visit GEAppliances.com. You may not need to call for service.

PROBLEM	Possible Causes	What To Do
Dryer shakes or makes noise	Some shaking/noise is normal. Dryer may be sitting unevenly	<ul style="list-style-type: none"> Move dryer to an even floor space, or adjust leveling legs as necessary until even.
Clothes take too long to dry	Improper or obstructed ducting	<ul style="list-style-type: none"> Check the Installation Instructions to make sure the dryer venting is correct. Make sure ducting is clean, free of kinks and unobstructed. Check to see if outside wall exhaust hood operates correctly and is clean.
	Improper sorting	<ul style="list-style-type: none"> Separate heavy items from lightweight items (generally, a well-sorted washer load is a well-sorted dryer load).
	Large loads of heavy fabrics (like beach towels)	<ul style="list-style-type: none"> Large, heavy fabrics contain more moisture and take longer to dry. Separate large, heavy fabrics into smaller loads to speed drying time.
	Controls improperly set	<ul style="list-style-type: none"> Match control settings to the load you are drying.
	Lint filter is full	<ul style="list-style-type: none"> Clean lint filter before every load.
	Blown fuses or tripped circuit breaker	<ul style="list-style-type: none"> Replace fuses or reset circuit breakers. Since most dryers use 2 fuses/breakers, make sure both are operating.
	Overloading/combining loads	<ul style="list-style-type: none"> Do not put more than one washer load in the dryer at a time.
	Underloading	<ul style="list-style-type: none"> If you are drying only one or two items, add a few items to ensure proper tumbling.
The DRY dryness level was chosen but load is still damp	Load consists of a mixture of heavy and light fabrics	<ul style="list-style-type: none"> When combining heavy and light fabrics in a load, choose MORE DRY.
	Exhaust system is blocked	<ul style="list-style-type: none"> Inspect and clean exhaust system.
Control pads not responding	Controls accidentally put in service mode	<ul style="list-style-type: none"> Press START/PAUSE.
	Controls accidentally put in lock mode	<ul style="list-style-type: none"> Hold the LOCK button for 3 seconds to unlock the dryer.
	Controls performed an incorrect operation	<ul style="list-style-type: none"> Reset the in-house breaker.
Dryer doesn't start	Control panel is "asleep"	<ul style="list-style-type: none"> This is normal. Press POWER to activate the control panel.
	Dryer is unplugged	<ul style="list-style-type: none"> Make sure the dryer plug is pushed completely into the outlet.
	Fuse is blown/circuit breaker is tripped	<ul style="list-style-type: none"> Check the building's fuse/circuit breaker box and replace fuse or reset breaker. NOTE: Electric dryers use two fuses or breakers.
	Dryer was accidentally paused when starting Delay Start	<ul style="list-style-type: none"> If the light on the START/PAUSE button is flashing, the dryer is paused. Press START/PAUSE to restart the countdown.

PROBLEM	Possible Causes	What To Do
<i>No numbers displayed during cycle, only lights</i>	Dryer is continuously monitoring the amount of moisture in the clothes	<ul style="list-style-type: none"> This is normal. When the dryer senses a low level of moisture in the load, the dryer will display the dry time remaining.
<i>Time Remaining jumped to a lower number</i>	The estimated time may change when a smaller load than usual is drying	<ul style="list-style-type: none"> This is normal.
<i>Cannot make a selection and the dryer beeps twice</i>	The DRYNESS LEVEL , TEMP or OPTION that you are trying to select is incompatible with the chosen dry cycle	<ul style="list-style-type: none"> This is normal.
<i>Dryer is running but 00 is displayed in Time Remaining</i>	The EXTEND TUMBLE option was chosen	<ul style="list-style-type: none"> This is normal. During extended tumbling, the time remaining is not displayed. The extended tumbling option lasts approximately 20 minutes. It will then tumble intermittently for approximately 70 minutes.
<i>Clean Lint Filter (message)</i>	POWER button was activated	<ul style="list-style-type: none"> Press START/PAUSE to begin a dry cycle and the message will disappear.
<i>Dryer doesn't heat</i>	Fuse is blown/circuit breaker is tripped; the dryer may tumble but not heat	<ul style="list-style-type: none"> Check the building's fuse/circuit breaker box and replace both fuses or reset both breakers. Your dryer may tumble if only one fuse is blown or one breaker tripped.
<i>Inconsistent drying times</i>	Type of heat	<ul style="list-style-type: none"> Drying time will vary according to the type of heat used. If you recently changed from an electric to a gas (natural or LP) dryer, or vice versa, the drying time could be different.
	Type of load and drying conditions	<ul style="list-style-type: none"> The load size, types of fabric, wetness of clothes and the length and condition of the exhaust system will affect drying times.
<i>Glow at the rear of the drum</i>	Heaters behind the drum	<ul style="list-style-type: none"> This is normal. Under certain drying conditions and room ambient lighting, the glow of the heaters may be visible at the rear of the drum.
<i>Clothes are still wet and dryer shut off after a short time</i>	The door was opened mid-cycle. The load was then removed from the dryer and a new load put in without selecting a new cycle	<ul style="list-style-type: none"> A dry cycle must be reselected each time a new load is put in.
	Small load	<ul style="list-style-type: none"> When drying 3 items or less, choose SPEED DRY or TIMED DRY.
	Load was already dry except for collars and waistbands	<ul style="list-style-type: none"> Choose SPEED DRY or TIMED DRY to dry damp collars and waistbands. In the future, when drying a load with collars and waistbands, choose MORE DRY.
	Dryer is not level	<ul style="list-style-type: none"> Move dryer to an even floor space or adjust leveling legs as necessary until even.
<i>Clothes are wrinkled</i>	Overdrying	<ul style="list-style-type: none"> Select a shorter drying time. Remove items while they still hold a slight amount of moisture. Select a LESS DRY or DAMP setting.
	Letting items sit in dryer after cycle ends	<ul style="list-style-type: none"> Remove items when cycle ends and fold or hang immediately, or use the EXTEND TUMBLE option.
	Overloading	<ul style="list-style-type: none"> Separate large loads into smaller ones.

Before you call for service...



Troubleshooting Tips.

<i>PROBLEM</i>	<i>Possible Causes</i>	<i>What To Do</i>
<i>Clothes shrink</i>	Some fabrics will naturally shrink when washed. Others can be safely washed, but will shrink in the dryer	<ul style="list-style-type: none"> To avoid shrinkage, follow garment care labels exactly. Some items may be pressed back into shape after drying. If you are concerned about shrinkage in a particular item, do not machine wash or tumble dry it.
<i>Greasy spots on clothes</i>	Improper use of fabric softener	<ul style="list-style-type: none"> Follow directions on fabric softener package.
	Drying dirty items with clean ones	<ul style="list-style-type: none"> Use your dryer to dry only clean items. Dirty items can stain clean items and the dryer.
	Clothes were not completely clean	<ul style="list-style-type: none"> Sometimes stains which cannot be seen when the clothes are wet <i>appear</i> after drying. Use proper washing procedures before drying.
<i>Lint on clothes</i>	Lint filter is full	<ul style="list-style-type: none"> Clean lint screen before each load.
	Improper sorting	<ul style="list-style-type: none"> Sort lint producers (like chenille) from lint collectors (like corduroy).
	Static electricity can attract lint	<ul style="list-style-type: none"> See suggestions in this section under STATIC.
	Overloading	<ul style="list-style-type: none"> Separate large loads into smaller ones.
	Paper, tissue, etc., left in pockets	<ul style="list-style-type: none"> Empty all pockets before laundering clothes.
<i>Static occurs</i>	No fabric softener was used	<ul style="list-style-type: none"> Try a fabric softener. Bounce® Fabric Conditioner Dryer Sheets have been approved for use in all GE Dryers when used in accordance with the manufacturer's instructions.
	Overdrying	<ul style="list-style-type: none"> Try a fabric softener. Adjust setting to LESS DRY or DAMP.
	Synthetics, permanent press and blends can cause static	<ul style="list-style-type: none"> Try a fabric softener.
<i>Collars and waistbands still wet at end of cycle</i>	The dryness monitor senses that the body of the clothes is dry	<ul style="list-style-type: none"> Choose SPEED DRY or TIMED DRY to dry damp collars and waistbands. In the future, when drying a load with collars and waistbands, choose MORE DRY.
<i>Slight variation in metallic color</i>	This is normal	<ul style="list-style-type: none"> Due to the metallic properties of paint used for this unique product, slight variations of color may occur due to viewing angles and lighting conditions.

GE Dryer Warranty. *(For customers in the United States)*



All warranty service provided by our Factory Service Centers, or an authorized Customer Care® technician. To schedule service on-line, visit us at GEAppliances.com, or call 800.GE.CARES (800.432.2737).

Please have serial number and model number available when calling for service.

Staple your receipt here.
Proof of the original purchase date is needed to obtain service under the warranty.

For The Period Of: We Will Replace:

One Year

From the date of the original purchase

Any part of the dryer which fails due to a defect in materials or workmanship. During this **limited one-year warranty**, GE will also provide, **free of charge**, all labor and related service costs to replace the defective part.

What Is Not Covered (in the United States):

- Service trips to your home to teach you how to use the product.
- Improper installation, delivery or maintenance.
- Failure of the product if it is abused, misused or used for other than the intended purpose or used commercially.
- Replacement of the light bulb after its expected useful life.
- Replacement of house fuses or resetting of circuit breakers.
- Damage to the product caused by accident, fire, floods or acts of God.
- Incidental or consequential damage caused by possible defects with this appliance.
- Damage caused after delivery.
- Product not accessible to provide required service.

EXCLUSION OF IMPLIED WARRANTIES—Your sole and exclusive remedy is product repair as provided in this Limited Warranty. Any implied warranties, including the implied warranties of merchantability or fitness for a particular purpose, are limited to one year or the shortest period allowed by law.

This warranty is extended to the original purchaser and any succeeding owner for products purchased for home use within the USA. If the product is located in an area where service by a GE Authorized Servicer is not available, you may be responsible for a trip charge or you may be required to bring the product to an Authorized GE Service location for service. In Alaska, the warranty excludes the cost of shipping or service calls to your home.

Some states do not allow the exclusion or limitation of incidental or consequential damages. This warranty gives you specific legal rights, and you may also have other rights which vary from state to state. To know what your legal rights are, consult your local or state consumer affairs office or your state's Attorney General.

Warrantor: General Electric Company. Louisville, KY 40225

GE Dryer Warranty. *(For customers in Canada)*



All warranty service provided by our Factory Service Centres or an authorized technician. For service, call 1.800.561.3344.

Please have serial number and model number available when calling for service.

For The Period Of: We Will Replace:

One Year

From the date of the original purchase

Any part of the dryer which fails due to a defect in materials or workmanship. During this **limited one-year warranty**, GE will also provide, **free of charge**, all labor and related service costs to replace the defective part.

What Is Not Covered (in Canada):

- Service trips to your home to teach you how to use the product.
- Improper installation, delivery or maintenance.
- Failure of the product if it is abused, misused or used for other than the intended purpose or used commercially.
- Replacement of the light bulb after its expected useful life.
- Replacement of house fuses or resetting of circuit breakers.
- Damage to the product caused by accident, fire, floods or acts of God.
- Incidental or consequential damage caused by possible defects with this appliance.
- Damage caused after delivery.
- Product not accessible to provide required service.

EXCLUSION OF IMPLIED WARRANTIES—Your sole and exclusive remedy is product repair as provided in this Limited Warranty. Any implied warranties, including the implied warranties of merchantability or fitness for a particular purpose, are limited to one year or the shortest period allowed by law.

This warranty is extended to the original purchaser and any succeeding owner for products purchased in Canada for home use within Canada. In-home warranty service will be provided in areas where it is available and deemed reasonable by Mabe to provide.

WARRANTOR IS NOT RESPONSIBLE FOR CONSEQUENTIAL DAMAGES.

Warrantor: MABE CANADA INC.

Mesures de sécurité..... 38-40

Fonctionnement

Options de cycle.....44, 45

Panneau de contrôle41-43

Utilisation de la sècheuse46

Installation

Avant de commencer.....47, 48

Emplacement

de votre sècheuse48, 49

Évacuation de la sècheuse53-59

Installation finale.....60

Inversion de l'ouverture

de la porte..... 61-63

Raccordement

d'une sècheuse électrique.....50-52

Superposer la laveuse

à la sècheuse64-66

Conseils de dépannage.....67-69

Soutien au consommateur

Garantie 70

Soutien au

consommateur..... 72

CONSERVEZ CES DIRECTIVES

**Inscrivez ici les numéros
de modèle et de série :**

Modèle N° _____

Série N° _____

Ces informations figurent
sur l'étiquette située à l'avant
de la sècheuse, derrière la porte.

Mesures de sécurité

Fonctionnement

Conseils de dépannage

Soutien au consommateur

MESURES DE SÉCURITÉ IMPORTANTES. LISEZ D'ABORD TOUTES LES DIRECTIVES.

⚠ AVERTISSEMENT!

Pour votre sécurité, suivez les directives fournies dans le présent manuel afin de minimiser les risques d'incendie, d'explosion et de chocs électriques et prévenir des dégâts matériels et des blessures graves ou mortelles.

- *N'entreposez pas ou n'utilisez pas d'essence ou autres vapeurs ou liquides inflammables à proximité de cet appareil ou de tout autre électroménager.*
- *L'installation et les réparations doivent être effectuées par un installateur qualifié, une entreprise de réparation ou votre fournisseur de gaz.*



UNE INSTALLATION ADÉQUATE

Avant d'utiliser votre sècheuse, assurez-vous qu'elle a été adéquatement installée, conformément aux Instructions d'installation. Les consignes d'installation figurent au dos de ce manuel.

- Mettez l'appareil à la terre conformément à tous les codes et règlements en vigueur. Suivez les Directives d'installation.
- Installez ou entreposez l'appareil dans une pièce où la température est supérieure à 0°C, et où il sera à l'abri des intempéries, qui pourraient endommager l'appareil et invalider la garantie.
- Branchez l'appareil sur un circuit protégé et de capacité appropriée afin d'éviter toute surcharge électrique.
- Retirez tous les articles d'emballage tranchants et jetez tous les matériaux de transport.

Conduit d'évacuation :

- 1 L'air des sècheuses **DOIT** être évacué à l'extérieur pour empêcher que de grandes quantités d'humidité et de charpie soient envoyées dans la pièce.
- 2 Utilisez uniquement des conduits métalliques rigides, d'un diamètre de 4 po, à l'intérieur de la carrosserie de la sècheuse. Utilisez uniquement un conduit métallique rigide ou flexible de 4 po de diamètre pour l'évacuation vers l'extérieur. N'utilisez jamais un conduit en plastique ou autre matériau combustible facilement perforable.

Pour des détails complets, suivez les Instructions d'installation.

⚠ AVERTISSEMENT!



AUTOUR DE VOTRE SÈCHEUSE

- Conservez la zone sous et autour de vos appareils libre de tous matériaux combustibles (charpies, papiers, chiffons, etc.), essence, produits chimiques et autres gaz et liquides inflammables.
- Gardez le sol propre et sec à proximité de vos électroménagers afin de ne pas glisser.
- Il faut exercer une étroite surveillance lorsque vous faites fonctionner cet appareil en présence d'enfants. Ne les laissez pas jouer sur, avec ou dans cet appareil ou dans tout autre appareil.
- Assurez-vous qu'il n'y ait aucune accumulation de charpie, de poussière ou de saleté autour et à proximité de l'orifice d'évacuation.
- Gardez tous les produits pour la lessive (comme les détergents, les javellisants, etc.) hors de la portée des enfants, de préférence dans une armoire fermée à clef. Suivez toutes les mises en garde sur les étiquettes pour éviter des blessures.
- Ne montez jamais sur le dessus de la sècheuse.



LORSQUE VOUS UTILISEZ LA SÈCHEUSE

- Ne vous penchez jamais dans la sècheuse pendant que le tambour tourne. Avant de charger ou de décharger la sècheuse ou d'y ajouter des vêtements, attendez que le tambour se soit complètement arrêté.
- Avant chaque séchage, nettoyez le filtre à charpie afin de prévenir l'accumulation de charpie à l'intérieur de la sècheuse ou dans la pièce. **NE FAITES PAS FONCTIONNER LA SÈCHEUSE SANS LE FILTRE À CHARPIE.**
- Ne lavez pas ou ne faites pas sécher des articles qui ont été lavés avec des produits combustibles ou explosifs, ou qui ont été trempés dans ces produits ou qui en sont tachés (cire, peinture, huile, essence, dégraissants, solvants pour le nettoyage à sec, kérosène, etc.). Ces substances émettent des vapeurs qui peuvent prendre feu ou exploser. Ne versez pas ces substances dans l'eau de la laveuse. N'utilisez pas ces substances à proximité de votre laveuse ou de votre sècheuse pendant qu'elles fonctionnent.
- Ne rangez pas dans votre sècheuse des articles qui ont été en contact avec des huiles de cuisson; ceux-ci peuvent provoquer une réaction chimique susceptible de faire s'enflammer vos vêtements.
- Il ne faut pas mettre dans la sècheuse, ou à proximité de celle-ci, tout article ayant été utilisé avec un solvant dégraissant ou contenant une substance inflammable (comme des chiffons de nettoyage, des vadrouilles, des serviettes utilisées dans les salons de coiffure, etc.), à moins qu'ils aient été débarrassés de toute trace et de toute vapeur de substance inflammable. On utilise à la maison de nombreux produits inflammables : acétone, alcool dénaturé, essence, kérosène, nettoyants ménagers, détachants, térébenthine, cire, décapants, contenant du distillat de pétrole.
- La lessive peut atténuer les propriétés ignifugeantes des tissus. Pour éviter cette situation, suivez à la lettre les directives données par le fabricant du vêtement.
- Ne faites pas sécher des articles contenant du caoutchouc, du plastique, de la mousse ou autres matériaux similaires (comme des soutiens-gorge préformés, des chaussures de tennis, des caoutchoucs, des tapis de bain, des carpettes, des bavoirs, des culottes de bébé, des sacs de plastique, des oreillers, etc.), car ces matériaux peuvent fondre ou brûler. De plus, dans certaines circonstances, certains matériaux de caoutchouc peuvent causer un incendie par combustion spontanée lorsqu'ils sont chauffés.
- Ne rangez pas des articles qui peuvent fondre ou brûler, comme du plastique, du papier, ou des vêtements sur le dessus de la sècheuse pendant qu'elle fonctionne.
- Les vêtements portant la mention «Faire sécher loin de la chaleur» ou «Ne pas faire sécher par culbutage» (comme les gilets de sauvetage contenant du Kapok) ne doivent pas être séchés dans votre sècheuse.
- Ne faites pas sécher d'articles en fibre de verre dans votre sècheuse. Les particules qui restent dans la sècheuse et qui pourraient être recueillies par les vêtements lors d'un séchage subséquent risquent de causer des irritations cutanées.
- Pour réduire les risques de chocs électriques, débranchez toujours l'appareil ou coupez l'alimentation électrique au panneau de distribution en enlevant le fusible ou en déclenchant le disjoncteur avant de le réparer ou de le nettoyer (sauf pour enlever et nettoyer le filtre à charpie). **REMARQUE :** Le fait d'appuyer sur **START/PAUSE (MISE EN MARCHÉ/PAUSE)** ou **POWER (ALIMENTATION)** NE coupe PAS l'alimentation électrique à l'appareil.

MESURES DE SÉCURITÉ IMPORTANTES. LISEZ D'ABORD TOUTES LES DIRECTIVES.

▲ AVERTISSEMENT!



LORSQUE VOUS UTILISEZ LA SÈCHEUSE (SUITE)

- Ne faites pas fonctionner l'appareil s'il est endommagé, défectueux, partiellement démonté ou si des pièces sont manquantes ou défectueuses, ou si le cordon d'alimentation ou la fiche sont endommagés.
- L'intérieur de l'appareil et le raccord du conduit d'évacuation à l'intérieur de la sècheuse doivent être nettoyés une fois par an par une personne qualifiée. Voyez les conseils pour le tri et le chargement en page 46.
- Il est possible que vous désiriez assouplir votre lessive ou réduire le collement électrostatique en utilisant un assouplissant textile dans votre sècheuse ou un produit antistatique. Nous vous recommandons d'utiliser un assouplissant liquide au cours du programme de lavage, conformément aux directives du fabricant de ce type de produit, ou de faire l'essai d'un assouplissant textile pour la sècheuse, pour lequel le fabricant certifie sur l'emballage que son produit peut être utilisé en toute sécurité dans la sècheuse. La responsabilité des problèmes de rendement ou de fonctionnement qui ne sont pas couverts par la garantie de cet appareil et sont attribuables à l'utilisation de ces produits relève du fabricant de ces produits.



LORSQUE VOTRE SÈCHEUSE N'EST PAS EN MARCHÉ

- Lorsque vous débranchez l'appareil, tirez sur la fiche et non pas sur le cordon afin d'éviter d'endommager le cordon d'alimentation. Installez le cordon de sorte que personne ne marche ou ne trébuche dessus, ou qu'il ne soit pas exposé à des dommages.
- Ne réparez ou ne remplacez aucune pièce de cet appareil, à moins que cela ne soit spécifiquement recommandé dans le présent manuel ou dans des directives de réparation que vous comprenez et que vous êtes en mesure de suivre.
- Avant de jeter ou d'entreposer une sècheuse, enlevez toujours la porte afin d'empêcher les enfants de se cacher à l'intérieur.
- Ne trafiquez pas les commandes de l'appareil.



VEUILLEZ LIRE ET SUIVRE ATTENTIVEMENT CES MESURES DE SÉCURITÉ.

CONSERVEZ CES DIRECTIVES

⚠ AVERTISSEMENT!

Afin de réduire le risque d'incendie, de décharge électrique, ou de blessure, lisez les MESURES DE SÉCURITÉ IMPORTANTES avant de mettre cet appareil en marche.

Dans ce manuel, les caractéristiques et l'apparence peuvent varier selon votre modèle.

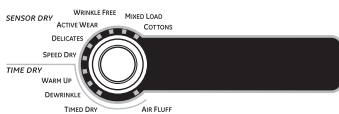
Démarrage

Si l'écran est noir, appuyez sur la touche **POWER (ALIMENTATION)** afin de réactiver l'affichage.

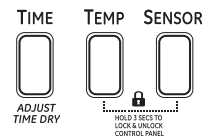
- 1 Appuyez sur la touche **POWER (ALIMENTATION)**.



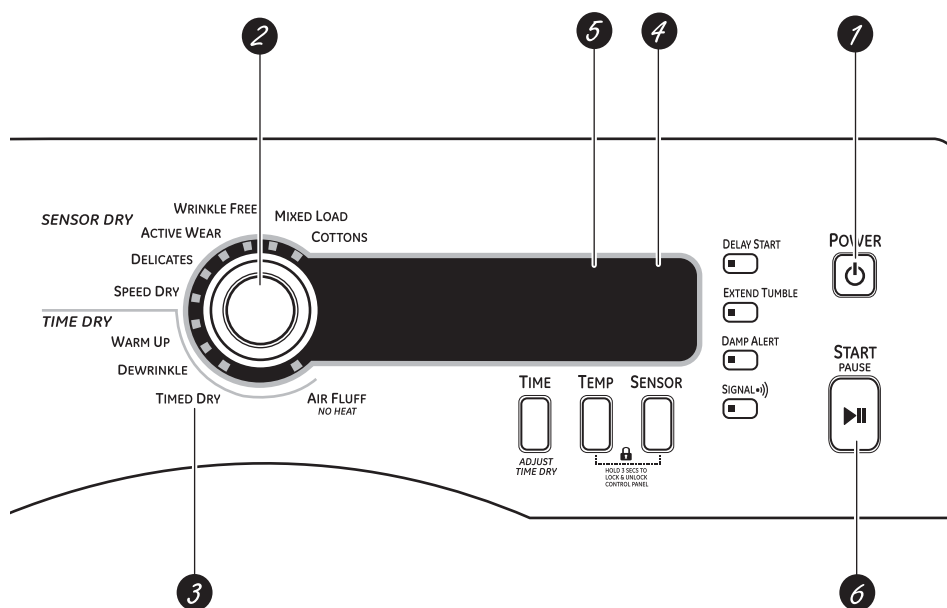
- 2 Sélectionnez un cycle en tournant le bouton **Cycle**.



Si vous avez sélectionné un cycle **TIME DRY (SÉCHAGE MINUTÉ)**—sélectionnez la température et la durée de séchage pour vos articles en appuyant sur la touche **TIME (DURÉE)** jusqu'à affichage du temps souhaité. Puis appuyez sur la touche **START/PAUSE (MISE EN MARCHÉ/PAUSE)**.



- 3 Si vous avez sélectionné **SENSOR DRY CYCLE (CYCLE PAR SÉCHAGE CAPTEUR)** - appuyez simplement sur la touche **START/PAUSE (MISE EN MARCHÉ/PAUSE)**.



- 1 **Power (alimentation)**
Appuyez sur cette touche pour « allumer » l'écran. Si l'écran est actif, appuyez pour éteindre la sècheuse.

REMARQUE : Le fait d'appuyer sur **POWER (ALIMENTATION)** ne coupe pas l'alimentation électrique à l'appareil.

A propos du panneau de contrôle de la sècheuse.

2 Dry Cycles (cycles de séchage)

Le cycle de séchage contrôle la durée du processus de séchage. Le tableau ci-dessous vous aidera à trouver le bon réglage de séchage en fonction de votre brassée.

Cycles par capteur

COTTONS (cotons)	Pour les cotons et la plupart des articles en toile.
MIXED LOAD (mixte)	Pour les brassées constituées de cotons et de mélanges de polyester.
WRINKLE FREE (infroissables)	Pour les articles infroissables/entretien facile et sans repassage.
ACTIVE WEAR (vêtements de sport)	Pour les vêtements de sports, d'exercice et certains vêtements décontractés. Les tissus bénéficient de finitions en nouvelle technologie et sont composés de fibres élastiques comme le Spandex.
DELICATES (délicats)	Pour la lingerie et les tissus délicats.
SPEED DRY (séchage rapide)	Pour les petites brassées qui doivent être séchées rapidement, comme les tenues de sport ou les uniformes d'école. Ce cycle peut aussi être utilisé si le cycle précédent a laissé quelques articles encore humides, comme des cols ou des ceintures.

Timed Dry Cycles (cycles de séchage minuté)

WARM UP (réchauffage)	Fournit 10 minutes de réchauffage des vêtements.
DEWRINKLE (défroisser)	Pour supprimer les plis des articles qui sont secs ou légèrement humides. Ce cycle n'est pas recommandé pour les tissus délicats.
AIR FLUFF (duvetage)	Utilisez ce cycle pour faire culbuter les articles sans chaleur.

3 Timed Dry (séchage minuté)

Utilisé pour ajuster votre propre temps de séchage. **TIMED DRY** (séchage minuté) est également recommandé pour les petites charges.

Pour utiliser TIMED DRY (séchage minuté) :

1. Faites tourner le bouton des cycles de séchage sur **TIMED DRY** (séchage minuté).
2. Sélectionner la durée du séchage en appuyant sur la touche **TIME (DURÉE)**. Vous pouvez augmenter la durée par incréments de 10 minutes jusqu'au maximum de 1 heure et 20 minutes.
3. Sélectionnez **DRY TEMP (TEMPÉRATURE DE SÉCHAGE)**.
4. Fermez la porte.
5. Appuyez sur **START/PAUSE (MISE EN MARCHE/PAUSE)**.

4 Sensor Dry Level (détection du niveau d'humidité)

Le détecteur surveille en permanence le niveau d'humidité dans le linge. Quand l'humidité dans vos vêtements atteint le niveau de séchage que vous avez choisi, la sècheuse s'arrête.

EXTRA DRY (extra sec)	Utilisé pour les tissus résistants ou les articles qui ont besoin d'être très secs, comme par exemple les serviettes.
MORE DRY (plus sec)	Utilisé pour les types de tissus lourds ou mélangés.
DRY (sec)	Utilisé pour un niveau de séchage normal adapté à la plupart des brassées. C'est le cycle recommandé pour un fonctionnement en économie d'énergie.
LESS DRY (moins sec)	Utilisé pour les tissus plus légers (idéal pour le repassage).
DAMP (humide)	Pour laisser les articles partiellement humides.

REMARQUE : Le Sensor Dry Level (Détection du niveau d'humidité) ne peut être sélectionné qu'avec un cycle Sensor Dry (Détection de l'humidité).

5 **Dry Temp (température de séchage)**

Vous pouvez modifier la température de votre cycle de séchage.

ANTI-BACTERIAL (anti-bactérien)	Cette option peut uniquement être utilisée avec les cycles COTTONS (COTONS) ou MIXED LOAD (CHARGE MIXTE) . Cette option permet de diminuer la possibilité que certains types de bactéries soient présentes. Le processus antibactérien se produit quand des températures élevées sont mises en oeuvre pendant une partie de ce cycle de séchage. REMARQUE : N'utilisez pas ce cycle pour des tissus délicats.
HIGH (haute)	Pour les cotons normaux à lourds.
MEDIUM (moyenne)	Pour les synthétiques, les mélanges et les articles étiquetés sans repassage.
LOW (basse)	Pour les tissus délicats, synthétiques et les articles étiquetés <i>Tumble Dry Low (séchage par culbutage à basse température)</i> .
EXTRA LOW (extra basse)	Pour la lingerie et les tissus délicats.

6 **START/PAUSE (MISE EN MARCHÉ/PAUSE)**

Appuyez sur cette touche pour lancer un cycle de séchage. Si la sècheuse est déjà en fonctionnement, le fait d'appuyer sur cette touche interrompt le cycle en cours. Appuyez encore sur la touche pour reprendre le cycle de séchage.

« CLEAN LINT FILTER » (Nettoyage du filtre à charpie) (message)

Ce message reste affiché jusqu'à la mise en marche. Ce message est uniquement un rappel.

Options de cycle.

REMARQUE : Certaines caractéristiques peuvent ne pas être offertes sur tous les modèles de sècheuses.

EXTEND TUMBLE



Extend Tumble (Culbutage prolongé)

Réduit le froissement en ajoutant environ 20 minutes de culbutage sans chauffage suivi de 70 minutes de culbutage sans chauffage par intermittence après séchage des vêtements. La sècheuse est en mode **EXTENDED TUMBLE** (culbutage prolongé) quand l'affichage **ESTIMATED CYCLE TIME** (temps de cycle estimé) est illuminé dans une façon circulaire.

Le voyant dans la touche sera allumé lorsque l'**EXTEND TUMBLE** (culbutage prolongé) est activé.

REMARQUE : Il est normal que le tambour s'arrête à intervalles réguliers pendant l'**EXTEND TUMBLE** (culbutage prolongé).

DAMP ALERT



Damp Alert (Alerte d'humidité)

Cette option fait sonner la sècheuse quand les vêtements ont été séchés jusqu'à un certain niveau d'humidité. Retirez les articles que vous souhaitez étendre pour sécher. **L'ALERTE DU NIVEAU D'HUMIDITÉ** (damp alert) retentira uniquement quand cette option est sélectionnée (le cycle de séchage sec se poursuit).

Le fait de retirer les vêtements et les étendre quand ils sont humides peut diminuer le besoin de repasser certains articles.

Le voyant dans la touche sera allumé lorsque l'option **DAMP ALERT** est sélectionnée.

REMARQUE : Uniquement pour les sélections de séchage **DRY (sec)**, **MORE DRY (plus sec)** et **EXTRA DRY (très sec)**.

DELAY START



Delay Start (Mise en marche différée)

Utilisez pour retarder le démarrage de votre sècheuse.

1. Sélectionnez votre cycle de séchage et toutes les options.
2. Appuyez sur la touche **DELAY START (MISE EN MARCHÉ DIFFÉRÉE)**. Vous pouvez modifier le délai par incrément de 1 heure (jusqu'à 18 heures) chaque fois que vous appuyez sur la touche **DELAY START (MISE EN MARCHÉ DIFFÉRÉE)**. Arrêtez d'appuyer sur la touche lorsque le délai requis s'affiche.
3. Appuyez sur la touche **START/PAUSE (MISE EN MARCHÉ/PAUSE)** pour lancer le compte à rebours.

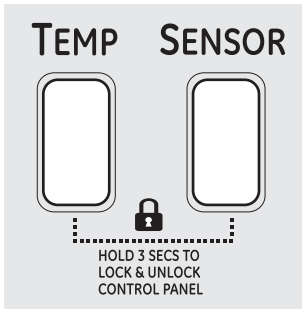
Le compte à rebours sera indiqué sur l'affichage « **ESTIMATED TIME REMAINING** » (temps restant estimé).

REMARQUES :

■ Si la porte est ouverte alors que la sècheuse est en mode **DELAY (MISE EN MARCHÉ DIFFÉRÉE)**, le compte à rebours va se poursuivre. Si la porte n'est pas fermée et que le compte à rebours expire, le cycle ne redémarrera que si la porte est fermée et que le bouton **START/PAUSE (MISE EN MARCHÉ/PAUSE)** est enfoncé.

■ Vous pouvez retarder le démarrage d'un cycle de séchage jusqu'à 18 heures.

Le voyant dans la touche sera allumé lorsque **DELAY START (MISE EN MARCHÉ DIFFÉRÉE)** est sélectionné.



Lock (Verrouillage)

Vous pouvez verrouiller les commandes pour en éviter la sélection. Ou vous pouvez verrouiller les commandes après le démarrage d'un cycle.

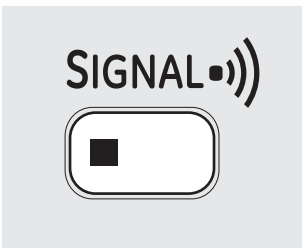
Avec cette option sélectionnée, les enfants ne peuvent plus démarrer la sécheuse accidentellement en appuyant sur les touches.

Pour verrouiller les commandes de la sécheuse, appuyez et maintenez appuyées les touches **TEMP (TEMP)** et **SENSOR (CAPTEUR)** simultanément pendant 3 secondes.

Pour déverrouiller les commandes de la sécheuse, appuyez et maintenez appuyées les touches **TEMP (TEMP)** et **SENSOR (CAPTEUR)** simultanément pendant 3 secondes. Un bip sonore vous indiquera l'état de verrouillage ou de déverrouillage de la sécheuse.

L'icône de verrouillage des commandes sera allumé lorsque les commandes sont verrouillées.

REMARQUE : La touche **POWER (ALIMENTATION)** peut encore être utilisé lorsque la machine est verrouillée.



Signal

Lorsque le voyant est allumé, la sécheuse émettra un bip sonore à la fin du cycle et à chaque fois que vous appuierez sur une touche du panneau de contrôle.

Pour désactiver le signal, appuyez sur la touche **SIGNAL** et le voyant s'éteindra.

Utilisation de la sècheuse.

Suivez toujours l'étiquette du fabricant de tissus pour laver.

Conseils pour le tri et le chargement

En règle générale, lorsque les vêtements sont correctement triés pour le lavage, ils le sont aussi pour le séchage. Essayez aussi de trier les articles en fonction de leur taille. Par exemple, ne séchez pas un drap avec des chaussettes ou d'autres petits articles.

N'ajoutez pas votre feuille d'assouplissant textile lorsque la brassée a commencé à chauffer, car elle risque de provoquer des taches d'assouplissant. Les feuilles d'assouplissant de tissus Bounce^{MD} pour sècheuses ont été

approuvées pour cette sècheuse si elles sont utilisées conformément aux instructions du fabricant.

Voir ci-dessous pour les consignes de nettoyage du filtre à charpie.















Ne surchargez pas. Ceci consomme inutilement de l'énergie et cause des faux plis.

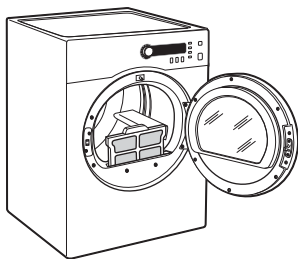
Ne séchez pas les articles suivants : Articles en fibre de verre, lainages, articles recouverts de caoutchouc, plastiques, articles dotés d'une garniture en plastique, articles remplis de mousse de caoutchouc.

Étiquettes d'entretien de tissu

Ci-dessous figurent les « symboles » des étiquettes d'entretien de tissu qui concernent le linge à sécher.

Étiquettes de séchage

Séchage par culbutage						
	Séchage	Normal	Sans repassage/ infroissables	Doux/ délicat	Ne pas sécher par culbutage	Ne pas sécher (utilisé avec ne pas laver)
Réglage de chaleur						
	Haut	Moyen	Bas	Pas de chaleur/ aération		
Instructions spéciales						
	Sécher en suspendant après essorage	Sécher par égouttage	Sécher à plat	Sécher à l'ombre		



Entretien et nettoyage de la sècheuse

Intérieur de la sècheuse et conduit : L'intérieur de la machine et du conduit d'évacuation doit être nettoyé une fois par an par du personnel de service qualifié.

Extérieur : Essuyez les produits de lessive renversés, et enlevez la poussière avec un linge humide. Le fini et le panneau de contrôle de la sècheuse peuvent être endommagés par certains produits de traitement préliminaire et détachants. Appliquez ces produits loin de la sècheuse. Vous pouvez ensuite laver et faire sécher les vêtements normalement. Les dommages causés à votre sècheuse par ces produits ne sont pas couverts par votre garantie.

Ne touchez pas la surface ou l'écran avec des objets pointus.

Filtre à charpie : Nettoyez le filtre à charpie avant chaque utilisation. Sortez-le en le tirant vers le haut. Ouvrez le filtre et faites passer vos doigts sur le filtre. Un amas cireux peut se former sur le filtre à charpie à cause de l'utilisation des feuilles d'assouplissant textile. Pour éliminer cet amas, lavez le filtre à l'eau chaude savonneuse. Séchez-le soigneusement

et remplacez-le. N'utilisez pas la sècheuse sans le filtre à charpie en place.

Aspirez la charpie de la zone du filtre à charpie si vous remarquez une modification des performances de la sècheuse.

Acier inoxydable : Pour nettoyer les surfaces en acier inoxydable, utilisez un chiffon humidifié avec un nettoyant doux et non abrasif, adapté aux surfaces en acier inoxydable. Éliminez les résidus de nettoyant, puis séchez avec un chiffon propre.

L'acier inoxydable utilisé pour fabriquer le tambour de séchage fournit la plus haute fiabilité disponible dans une sècheuse GE. Si le tambour de séchage est rayé ou ébréché pendant une utilisation normale, le tambour ne rouillera pas ou ne se corrodera pas. Ces défauts de surface n'affecteront pas le fonctionnement ou la durabilité du tambour.

Évent d'évacuation : Vérifiez avec un miroir que les volets à l'intérieur de l'évent se déplacent librement lors du fonctionnement. Assurez-vous qu'aucun animal (oiseaux, insectes, etc.) ne s'est introduit dans le conduit ou l'évent.

Instructions d'installation

Sécheuse

DCVH480EK, DCVH485EK, PCVH480EK, PCVH485EK

Des questions? Appelez le 1.800.561.3344 ou Visitez notre site Web à l'adresse : www.electromenagersge.ca

Si vous prévoyez placer la laveuse et la sécheuse en superposition, commandez le nécessaire de superposition no° GE24STACK à utiliser avec cette sécheuse. Le nécessaire est vendu séparément.

AVANT DE COMMENCER

Lisez ces instructions entièrement et soigneusement.

- **IMPORTANT** – Conservez ces instructions pour l'inspecteur local.
- **IMPORTANT** – Observez tous les codes et les ordonnances en vigueur.
- Installez la sécheuse conformément à la réglementation locale et aux consignes du fabricant.
- **Note à l'installateur** – Assurez-vous de laisser ces instructions au consommateur.
- **Note au consommateur** – Conservez ces instructions à titre de référence.
- L'installation de la sécheuse doit être effectuée par un technicien qualifié.
- L'air de cette sécheuse **doit** être évacué vers l'extérieur.
- Avant d'enlever ou de jeter une ancienne sécheuse, démontez la porte de la sécheuse.
- Les informations de service et le diagramme de câblage sont situés dans la console de commande.
- N'autorisez pas les enfants à monter ou à entrer dans la machine. Une surveillance rapprochée est nécessaire lorsque la machine est utilisée à proximité d'enfants.
- L'installateur est responsable de bien installer cet appareil.
- Toute panne de produit due à une mauvaise installation n'est pas couverte par la garantie.
- Afin de réduire le risque de blessure importante ou de décès, suivez toutes les consignes d'installation.
- Installez la sécheuse dans un endroit où la température est supérieure à 10 °C (50 °F) pour un bon fonctionnement du système de contrôle de la sécheuse.
- Enlevez et jetez le conduit d'évacuation existant s'il est fait de plastique ou de métal souple, et remplacez-le par un conduit d'évacuation listé par UL.

POUR VOTRE SÉCURITÉ :

AVERTISSEMENT – Risque d'incendie

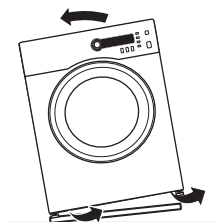
- Afin de réduire le risque de blessures graves ou de mort, suivre toutes les directives d'installation.
- L'installation de votre sécheuse doit être confiée à un installateur qualifié.
- Installez votre sécheuse conformément à ces directives et aux codes locaux.
- Cette sécheuse doit être évacuée vers l'extérieur.
- N'utilisez qu'un conduit métallique rigide de 10 cm (4 po) de diamètre pour l'évacuation de l'air de la sécheuse vers l'extérieur.
- N'installez PAS votre sécheuse avec un conduit d'évacuation fait de plastique. Si l'utilisation d'un conduit métallique flexible (semi-rigide ou souple) est nécessaire, il doit être conforme aux directives « Connexion de la sécheuse au conduit d'évacuation de la maison » trouvées à la page 54 de ce manuel. Les matériaux d'évacuation souples ont tendance à s'effondrer, être écrasés et accumuler de la charpie. Ces conditions peuvent obstruer la circulation d'air de la sécheuse et augmenter le risque d'incendie.
- Installez ou entreposez la sécheuse dans un endroit où elle ne sera pas exposée à l'eau et/ou aux intempéries.
- Le Code national du gaz des É.-U. restreint l'installation d'appareils utilisant le gaz dans les garages. Ils doivent se trouver à 45,7 cm (18 po) du sol et protégés des véhicules par une cloison.
- Conservez ces directives. (Installateurs : assurez-vous de laisser ces directives avec le client).

Instructions d'installation

DÉBALLAGE DE VOTRE SÉCHEUSE

Inclinez la sècheuse latéralement et enlevez les coussinets d'expédition en mousse en les poussant sur les côtés et en les détachant des pattes de la sècheuse. Assurez-vous d'enlever toutes les pièces en mousse autour des pattes.

Enlevez le sac contenant la documentation.



EMPLACEMENT DE VOTRE SÉCHEUSE

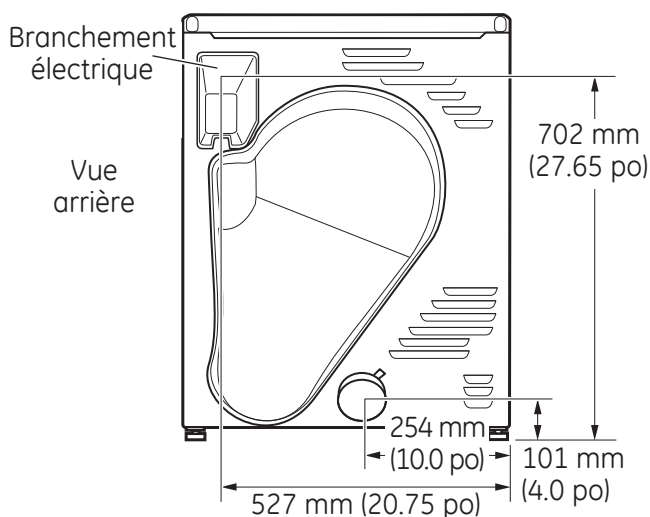
DÉGAGEMENTS MINIMUMS AUTRES QUE POUR UNE INSTALLATION ENCASTRÉE

Les dégagements minimums rapport aux surfaces combustibles et pour les orifices d'aération sont les suivants :

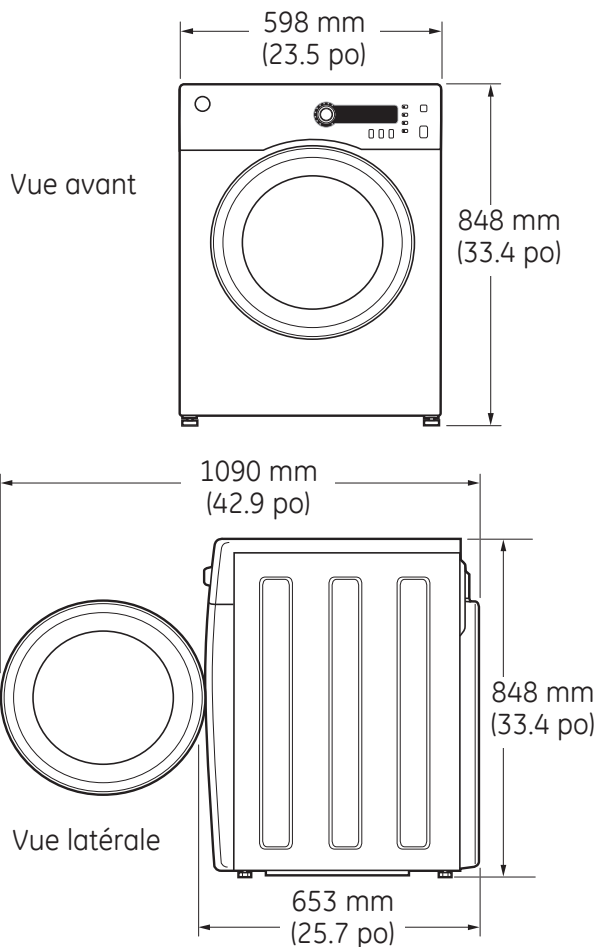
- un dégagement de 0 mm (0 po) des deux côtés
- 75 mm (3 po) à l'avant et à l'arrière

Il est **nécessaire** de prévoir des dégagements appropriés pour le fonctionnement et l'entretien de la machine.

BRANCHEMENT ÉLECTRIQUE



DIMENSIONS DE LA SÉCHEUSE

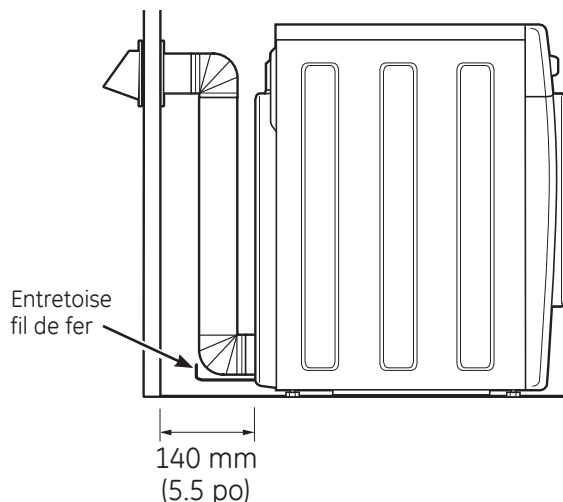


Instructions d'installation

EXIGENCES RELATIVES À UNE INSTALLATION ENCASTRÉE

- Votre sècheuse est homologuée pour une installation dans une alcôve ou dans un placard, comme l'indique l'étiquette figurant au dos de la sècheuse.
- L'air de la sècheuse DOIT être évacué vers l'extérieur. Consultez la section ÉVACUATION DE LA SÈCHEUSE.
- L'espace minimum entre la sècheuse et les murs adjacents ou d'autres surfaces est le suivant :
 - 0 mm (0 po) des deux côtés
 - 75 mm (3 po) avant et arrière
- La distance verticale minimum du sol aux étagères suspendues, armoires, plafonds, etc. de 132 cm (52 po).
- Les portes du placard doivent être perforées ou ventilées et doivent disposer d'un espace ouvert réparti de façon homogène d'au moins 1,5 m² (60 po carrés) de superficie. Si une laveuse et une sècheuse ont été installées dans le placard, les portes doivent disposer d'un espace ouvert réparti de façon homogène d'au moins 3 m² (120 po carrés).

REMARQUE : SI LE TUYAU D'ÉVACUATION EST SITUÉ À L'ARRIÈRE DE LA SÈCHEUSE, L'ESPACE MINIMUM PAR RAPPORT AU MUR EST DE 14 CM (5,5 PO).



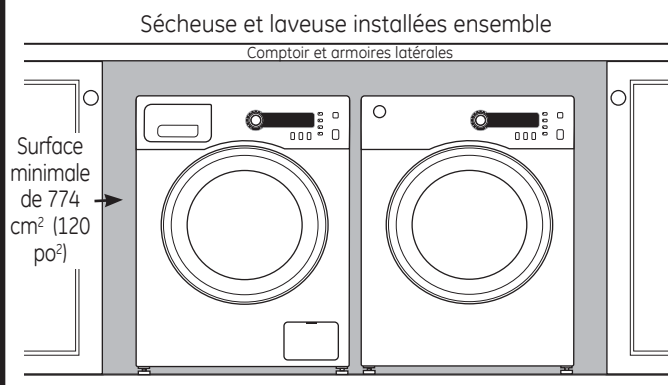
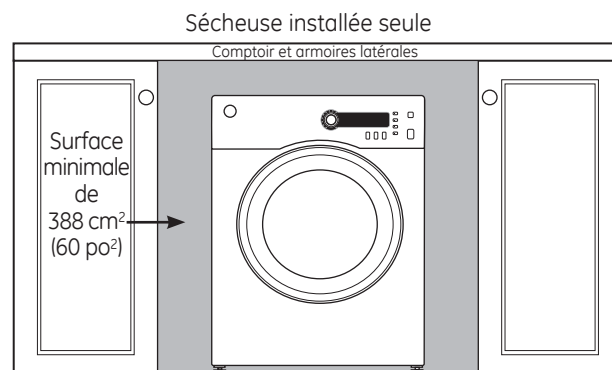
INSTALLATION DANS UNE SALLE DE BAIN OU UNE CHAMBRE

- L'air de la sècheuse DOIT être évacué vers l'extérieur. Consultez la section ÉVACUATION DE LA SÈCHEUSE.
- L'installation doit être conforme aux normes locales ou, en l'absence de normes locales, avec le CODE NATIONAL DE L'ÉLECTRICITÉ, ANSI/NFPA N° 70 (pour les sècheuses électriques) ou le CODE NATIONAL DU GAZ, ANSI Z223 (pour les sècheuses à gaz).

INSTALLATION SOUS LE COMPTOIR

Si l'on souhaite une installation sous le comptoir :

- Aucune trousse d'installation pour sècheuse n'est nécessaire.
- Si la sècheuse est installée seule, une surface minimale de 388 cm² (60 po²) d'espace ouvert est requise. Si la sècheuse est installée avec une laveuse, la surface minimale requise est de 774 cm² (120 po²).



INSTALLATION DANS UNE MAISON MOBILE OU PRÉFABRIQUÉE

- L'installation doit être conforme à la NORME DE SÉCURITÉ POUR LA CONSTRUCTION DE MAISONS FABRIQUÉES, TITRE 24, PARTIE 32-80 ou, si la norme n'est pas applicable, à la NORME NATIONALE AMÉRICAINE POUR LES MAISONS MOBILES N° 501B.
- L'air de la sècheuse DOIT être évacué vers l'extérieur avec les raccordements correctement fixés à la structure de la maison mobile. (Voyez ÉVACUATION DE LA SÈCHEUSE.)
- La ventilation NE DOIT PAS déboucher sous une maison mobile ou fabriquée.
- Le matériau du tuyau de ventilation DOIT ÊTRE LE MÉTAL.
- N'utilisez pas de vis à tôle ni d'autres dispositifs de serrage qui dépassent à l'intérieur de l'évent d'évacuation.
- Prévoyez une ouverture dotée d'une zone ouverte de 63 cm² (25 pouces carrés) pour l'infiltration d'air extérieur dans la pièce de la sècheuse.

Instructions d'installation

RACCORDEMENT D'UNE SÉCHEUSE ÉLECTRIQUE

OUTILS NÉCESSAIRES



- Pince à joint coulissant



- Tournevis à tête plate



- Tournevis cruciforme



- Niveau

MATÉRIEL NÉCESSAIRE



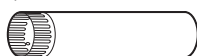
- Coude métallique 4 po diamètre



- Colliers de conduit 4 po (2) ou brides à ressort 4 po (2)



- Lunettes de protection



- Tuyau métallique 4 po de diamètre (recommandé)



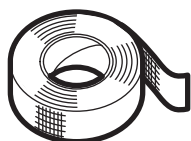
- Conduit métallique souple de 4 po de diam., homologué UL (si nécessaire)



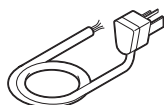
- Gants



- L'évent d'évacuation



- Ruban adhésif



- Cordon d'alimentation de la sécheuse de 1,8 m (6 pieds) de longueur (non livré avec l'appareil)

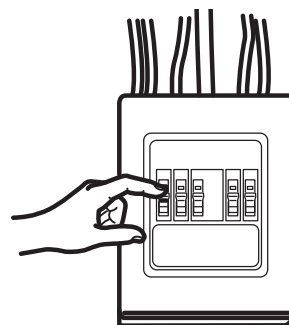
Conforme à la norme UL 120/240 V, 30 A avec 3 ou 4 broches.

Identifiez le type de fiche selon la prise murale de votre domicile avant d'acheter le cordon. (Un cordon à 4 broches est fourni et installé sur les modèles canadiens PCVH480 et PCVH485.) Les installations superposées peuvent nécessiter un cordon d'alimentation d'une longueur supérieure à 1,8 m (6 pi).

POUR VOTRE SÉCURITÉ :

⚠ AVERTISSEMENT

Avant d'effectuer le branchement électrique, déclenchez le disjoncteur ou enlevez le fusible de la sécheuse au panneau de distribution électrique. Assurez-vous que le cordon d'alimentation de la sécheuse est débranché de la prise murale. **NE LAISSEZ JAMAIS LE CAPOT DE LA PLAQUE À BORNES ENLEVÉ.**



RENSEIGNEMENTS SUR LES RACCORDS ÉLECTRIQUES POUR SÉCHEUSES ÉLECTRIQUES

⚠ AVERTISSEMENT – Pour réduire les risques d'incendie, de chocs électriques ou de blessure :

- N'utilisez pas de rallonge électrique ou d'adaptateur de prise avec cette machine.
- Cette sécheuse doit être mise à la terre en conformité avec les codes et règlements locaux, ou en l'absence de codes locaux, en conformité avec le CODE NATIONAL DE L'ÉLECTRICITÉ, ANSI/NFPA N° 70, ou au Canada la norme CSA C22.1 du Code canadien de l'électricité, 1^{re} partie.

Instructions d'installation

EXIGENCES RELATIVES À L'ÉLECTRICITÉ POUR LES SÈCHEUSES ÉLECTRIQUES

Cette sècheuse doit être raccordée à un circuit domestique indépendant, protégé par un disjoncteur ou un fusible temporisé. Un circuit monophasé de 120/240 V ou 120/208 V, 60 Hz et 30 ampères, à trois ou quatre fils, est nécessaire.

Si l'alimentation électrique fournie n'est pas conforme aux exigences ci-dessus, contactez alors un électricien qualifié.

REMARQUE : Pour les clients canadiens possédant les modèles PCVH480 et PCVH485, l'installation du cordon d'alimentation n'est pas requise. Veuillez passer à la section suivante *Évacuation de la sècheuse*.

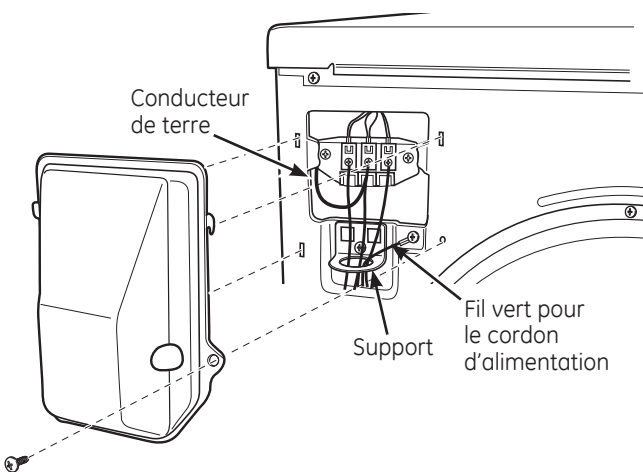
INSTRUCTIONS DE MISE À LA TERRE

La sècheuse doit être branchée à un réseau de fils en métal permanents et mis à la terre; ou un conducteur de mise à la terre doit suivre les conducteurs du circuit et être branché à la borne de mise à la terre sur la sècheuse.

BRANCHEMENT DE LA SÈCHEUSE À L'AIDE D'UN CÂBLE À 4 FILS (À UTILISER POUR L'INSTALLATION DANS UNE MAISON MOBILE)

REMARQUE : Depuis le 1^{er} janvier 1996, le Code national de l'électricité impose aux nouvelles constructions d'utiliser un raccordement à 4 fils pour une sècheuse électrique. Un cordon à 4 fils doit aussi être utilisé lorsque les normes locales n'autorisent pas une mise à la terre via le neutre.

Un raccordement à 3 fils NE doit PAS être utilisé dans une nouvelle construction.



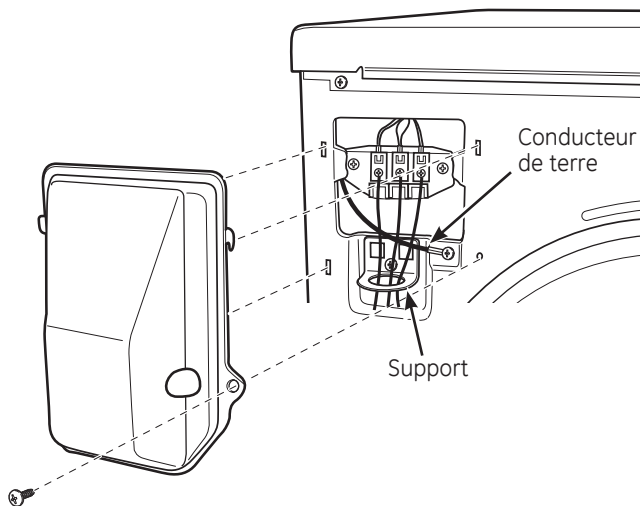
BRANCHEMENT DE LA SÈCHEUSE À L'AIDE D'UN CÂBLE À 4 FILS (À UTILISER POUR L'INSTALLATION DANS UNE MAISON MOBILE) (suite)

1. Déclenchez le(s) disjoncteur(s) ou retirez le(s) fusible(s) du circuit du tableau électrique.
2. Assurez-vous que le cordon de la sècheuse est débranché de la prise murale.
3. Retirez le cordon d'alimentation situé dans la partie supérieure à l'arrière de la sècheuse.
4. Retirez la vis verte de mise à la terre et fixez le conducteur de terre à la borne centrale en même temps que le fil neutre (blanc) décrit ci-dessous. Conservez la vis verte de mise à la terre pour l'étape 7.
5. Faites passer le câble d'alimentation à travers le support.
6. Connectez le cordon d'alimentation comme suit :
 - A. Connectez les 2 fils sous tension aux vis extérieures de la plaque à bornes (L1 et L2).
 - B. Connectez le fil neutre (blanc) au centre de la plaque à bornes (N).
7. Branchez le fil de terre du cordon à la vis verte de mise à la terre (trou placé au-dessus du support du réducteur de tension). Serrez toutes les vis de la plaque à bornes (3) complètement.
8. Réinstallez le couvercle.

⚠ AVERTISSEMENT –
NE LAISSEZ JAMAIS LE COUVERCLE ENLEVÉ DE LA PLAQUE À BORNES.

RACCORDEMENT D'UNE SÈCHEUSE ÉLECTRIQUE (suite)

RACCORDEMENT DE LA SÈCHEUSE À L'AIDE D'UN CÂBLE À 3 FILS



1. Déclenchez le(s) disjoncteur(s) ou retirez le(s) fusible(s) du circuit du tableau électrique.
2. Assurez-vous que le cordon de la sècheuse est débranché de la prise murale.
3. Retirez le couvercle du câble d'alimentation situé dans la partie supérieure à l'arrière de la sècheuse.
4. Faites passer le câble d'alimentation à travers le support.
5. Connectez le cordon d'alimentation comme suit :
 - A. Connectez les 2 fils sous tension aux vis extérieures de la plaque à bornes (L1 et L2).
 - B. Connectez le fil neutre (blanc) au centre de la plaque à bornes (N).
6. Veillez à ce que la languette de mise à la terre soit connectée à la vis verte de mise à la terre sur le boîtier. Serrez toutes les vis de la plaque à bornes (3) complètement.
7. Réinstallez le couvercle.

⚠ AVERTISSEMENT –
NE LAISSEZ JAMAIS LE COUVERCLE ENLEVÉ
DE LA PLAQUE À BORNES.

ÉVACUATION DE LA SÈCHEUSE

⚠ AVERTISSEMENT – Pour réduire le risque d'incendie et de blessure :

- Cette sècheuse doit être évacuée vers l'extérieur.
- N'utilisez qu'un conduit métallique rigide de 10 cm (4 po) de diamètre pour le conduit d'évacuation de la maison.
- N'utilisez qu'un conduit métallique rigide de 4 po ou un conduit métallique flexible (semi-rigide ou souple) listé par UL pour connecter la sècheuse au conduit d'évacuation de la maison. La sècheuse doit être installée conformément aux directives « Connexion de la sècheuse au conduit d'évacuation de la maison », trouvées à la page 54 du manuel.
- Ne faites pas évacuer l'air de la sècheuse dans une cheminée, une hotte de cuisinière, un évent à gaz, un plancher, un grenier, un plafond, un mur ou un espace fermé d'un immeuble.
- Ne faites pas évacuer l'air de la sècheuse dans un conduit commun avec le système d'évacuation de la cuisine. La combinaison de graisse et de charpie crée un risque d'incendie.
- N'utilisez pas de conduit d'évacuation plus long que spécifié dans le tableau de longueur de conduit d'évacuation. Des conduits d'évacuation plus longs accumulent la charpie et créent un risque d'incendie.
- N'installez pas de filtre ou de grille à l'intérieur ou à l'extrémité du conduit d'évacuation. Ceci aura pour effet d'accumuler de la charpie, créant un risque d'incendie.
- N'assemblez pas le conduit d'évacuation avec des vis ou autre mécanisme d'attache qui dépasse à l'intérieur du conduit. Ces vis accumuleront de la charpie et créeront un risque d'incendie.
- N'obstruez pas l'entrée d'air ou la sortie d'air de la sècheuse.
- Prévoyez un accès pour l'inspection et le nettoyage du système d'évacuation, surtout aux coudes et aux joints. Le système d'évacuation doit être inspecté et nettoyé au moins une fois par année.
- La sècheuse est préparée pour une évacuation de l'air par l'arrière. Si l'espace est insuffisant, utilisez les instructions figurant sur les pages 57-59 pour évacuer l'air par les côtés ou le dessous de la carrosserie.

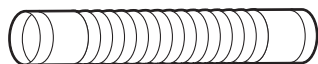
OUTILS ET MATÉRIEL NÉCESSAIRES À L'INSTALLATION DU CONDUIT D'ÉVACUATION



Tournevis cruciforme



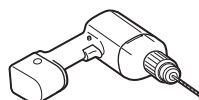
Ruban de toile ou colliers pour conduit



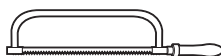
Conduit métallique rigide ou souple homologué UL de 10,2 cm (4 po)



Évent d'évacuation



Percez à l'aide d'un foret de 1/8 po (pour évacuation par le



dessus)
 Scie à métaux

LISTE DE VÉRIFICATION DU SYSTÈME D'ÉVACUATION

ÉVÈNT MURAL

- Terminez le conduit de façon à éviter les retours d'air ou l'entrée d'oiseaux ou d'autres animaux.
- La terminaison doit présenter une résistance minimale au flux d'air évacué et nécessiter peu ou pas de maintenance pour empêcher les obstructions.
- N'installez jamais un filtre dans ou sur le conduit d'évacuation.
- Les événements muraux doivent être installés à au moins 30,5 cm (12 po) au-dessus du niveau du sol ou toute autre obstruction avec l'ouverture dirigée vers le bas.

SÉPARATIONS DES COUDES

- Pour de meilleures performances, séparez tous les coudes par un conduit droit d'au moins 1,2 m (4 pieds), y compris sur la distance entre le dernier coude et l'évent mural à volet. Pour les coudes inférieurs à 1,2 m (4 pieds), consultez le tableau d'équivalence des conduits.

ÉTANCHÉITÉ DES JOINTS

- Tous les joints doivent être serrés pour éviter les fuites. L'extrémité mâle de chaque section du conduit doit être dirigée vers l'extérieur par rapport à la sècheuse.
- N'assemblez pas les conduits avec des fixations qui pénètrent dans le conduit. Elles serviraient de point de collecte pour la charpie.
- Les joints de conduit doivent être étanches à l'air et à la poussière, recouverts de ruban de toile ou en aluminium.
- Les conduits horizontaux doivent être inclinés vers l'extérieur de 6 mm (1/4 po) par pied de longueur.

ISOLATION

- Les conduits qui traversent une zone non chauffée ou situés à proximité d'un climatiseur doivent être isolés pour réduire la condensation et la création de charpie.

ÉVACUATION DE LA SÈCHEUSE (suite)

CONNEXION DE LA SÈCHEUSE AU CONDUIT D'ÉVACUATION DE LA MAISON

CONDUIT MÉTALLIQUE RIGIDE DE TRANSITION

- Pour les meilleures performances de séchage, un conduit métallique rigide de transition est recommandé.
- Les conduits métalliques rigides de transition réduisent le risque d'écrasement et de déformation du conduit.

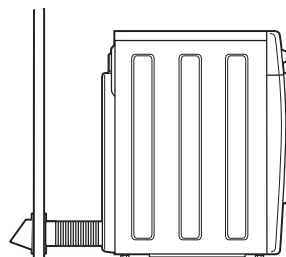
CONDUIT MÉTALLIQUE FLEXIBLE (SEMI-RIGIDE) DE TRANSITION LISTÉ PAR UL

- Si un conduit métallique rigide ne peut être utilisé, un conduit métallique flexible (semi-rigide) listé par UL peut être utilisé (Trousse WX08X10077).
- N'installez jamais de conduit métallique flexible dans un mur, un plafond, un plancher ou autres espaces fermés.
- La longueur totale de conduit métallique flexible ne doit pas excéder 8 pieds (2.4 m).
- Pour plusieurs applications, installer des coudes au mur et à la sècheuse est hautement recommandé (voir illustration à droite). Les coudes permettent à la sècheuse d'être près du mur, sans écraser ou déformer le conduit de transition, maximisant ainsi la performance de la sècheuse.
- Évitez d'appuyer le conduit sur des objets coupants.

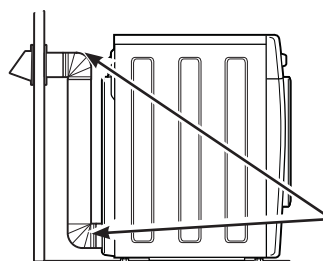
CONDUIT MÉTALLIQUE FLEXIBLE (SOUPLE) DE TRANSITION LISTÉ PAR UL

- Dans certaines installations spéciales, il peut être nécessaire de connecter la sècheuse au conduit d'évacuation de la maison en utilisant un conduit métallique flexible (souple). Un conduit métallique flexible (souple) listé par UL peut être utilisé SEULEMENT dans des installations où un conduit métallique rigide ou flexible (semi-rigide) ne peut être utilisé ET où un diamètre de 4 po peut être maintenu tout au long du conduit de transition.
- Au Canada et aux États-Unis, seulement les conduits métalliques flexibles (souples) qui sont conformes au "Outline for Clothes Dryer Transition Duct, Subject 2158A" doivent être utilisés.
- N'installez jamais de conduit métallique flexible dans un mur, un plafond, un plancher ou autres espaces fermés.
- La longueur totale de conduit métallique flexible ne doit pas excéder 8 pieds (2.4 m).
- Évitez d'appuyer le conduit sur des objets coupants.
- Pour de meilleures performances de séchage :
 1. Glissez une des extrémités du conduit par-dessus le conduit de sortie de la sècheuse.
 2. Sécurisez le conduit avec une bague de serrage.
 3. Avec la sècheuse à sa position finale, étirez le conduit à sa longueur totale. Permettez 2 po de conduit pour se superposer au dessus du conduit d'évacuation. Couper et enlever l'excès de conduit. Assurez-vous que le conduit soit le plus droit possible pour maximiser la circulation d'air.
 4. Sécurisez le conduit au conduit d'évacuation avec l'autre bague de serrage.

POUR L'ÉVACUATION TRANSITOIRE (DE LA SÈCHEUSE AU MUR), FAITES :



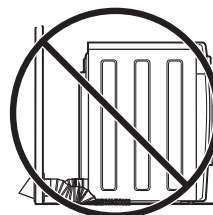
- **COUPEZ** le conduit aussi court que possible et installez-le droit vers le mur.



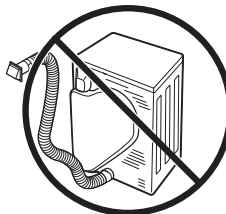
- **UTILISEZ** des coudes lorsque des changements de direction sont nécessaires.

Coudes

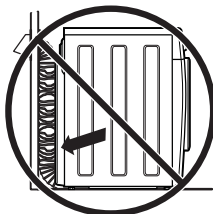
NE FAITES PAS :



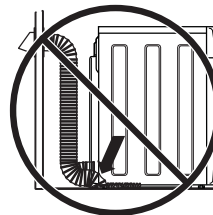
- **N'ÉCRASEZ PAS** ou ne pliez pas le conduit. Utilisez des coudes lorsque des changements de direction sont nécessaires.



- **N'UTILISEZ PAS** une longueur excessive de conduit. Coupez le conduit aussi court que possible.



- **N'ÉCRASEZ PAS** le conduit contre le mur.



- **N'INSTALLEZ PAS** la sècheuse sur le conduit.

Instructions d'installation

⚠ AVERTISSEMENT

UTILISEZ UNIQUEMENT DES CONDUITS MÉTALLIQUES DE DIAMÈTRE 4 PO (102 mm AU CANADA). N'UTILISEZ PAS UN CONDUIT D'UNE LONGUEUR PLUS IMPORTANTE QUE CELLE DONNÉE DANS LE TABLEAU DE LONGUEUR DE CONDUIT D'ÉVACUATION.

Informations sur l'évacuation de la sécheuse— Conduit métallique uniquement

Matériaux pour le conduit : Pour une meilleure efficacité, l'évacuation de la sécheuse doit se faire par un conduit métallique rigide d'un diamètre de 4 po.

Calculs des longueurs des conduits d'évacuation :

- Déterminez le nombre de coudes à 90° requis pour votre installation.
- La longueur maximale tolérée de 1,22 m (4 pi) pour un conduit rigide (en aluminium ou en acier galvanisé) est indiquée dans le tableau ci-dessous.

Un angle de 45° ou moins peut être ignoré. Deux coudes de 45° dans une longueur de conduit doivent être considérés comme un coude de 90°.

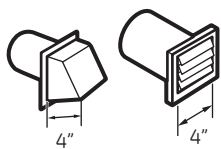

Un retournement de 45° doit être considéré comme un coude de 90°.

⚠ MISE EN GARDE : Pour votre sécurité personnelle, ne faites pas aboutir le conduit d'évacuation dans un conduit de cheminée, dans un sous-sol (ou vide sanitaire) ou dans un grenier. L'accumulation de charpie peut provoquer un risque d'incendie ou l'humidité peut causer des dommages. Ne raccordez jamais le conduit d'évacuation de la sécheuse à un conduit commun raccordé à un système de ventilation de la cuisine. L'association de charpie et de graisse peut provoquer des incendies.

Les conduits d'évacuation doivent être raccordés à un évent mural équipé de volets. L'évent mural doit être situé à une hauteur minimale de 30 cm (12 po) au dessus du sol ou de toute autre obstruction, l'ouverture doit être dirigée vers le bas.

D'autres sorties telles que des boîtes murales à persiennes sont acceptées à condition qu'elles soient équivalentes à un évent mural de 102 mm (4 po).

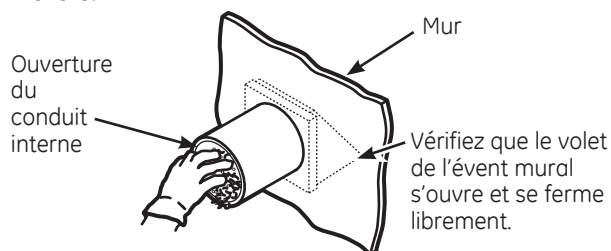
Pour de plus amples informations sur les trousseaux et les accessoires d'évacuation, veuillez appeler : 1.800.GE.CARES.

		Meilleure efficacité	
		Longueur maximale pour un conduit métallique rigide de 102 mm (4 po) de diamètre	
		Type de sortie d'évacuation	
			
		A Ouverture 4 po	B Ouverture 2-1/2 po
Sécheuses à chargement frontal	0	90 pi.	60 pi.
	1	60 pi.	45 pi.
	2	45 pi.	35 pi.
	3	35 pi.	25 pi.

ÉVACUATION DE LA SÈCHEUSE (suite)

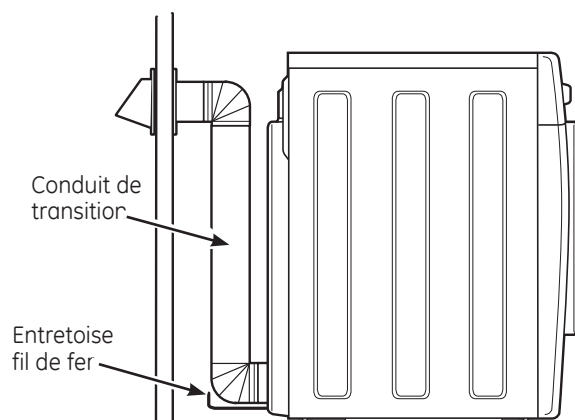
AVANT DE COMMENCER

- Enlevez et jetez le conduit d'évacuation existant s'il est fait de plastique ou de métal souple, et remplacez-le par un conduit d'évacuation listé par UL.
- Enlevez toute charpie de l'ouverture d'évacuation murale.



CONFIGURATION RECOMMANDÉE POUR MINIMISER UN BLOCAGE DU CONDUIT

L'utilisation de coudes empêchera les conduits de se déformer et de s'écraser.

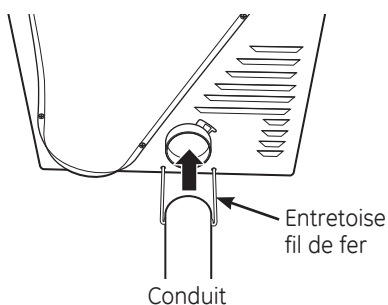


ÉVACUATION ARRIÈRE STANDARD

Nous vous recommandons d'installer votre sècheuse avant d'installer votre laveuse. Cela permettra un accès direct pour faciliter le raccordement de l'évacuation.

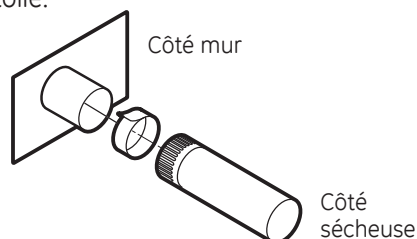
Retirer l'entretoise métallique et faites-la basculer vers le haut jusqu'à ouverture complète. Posez l'entretoise à plat sur le sol. Ceci évitera de pousser la sècheuse trop près du mur ou d'un autre objet et ainsi d'éviter que le conduit ne se détache de la sècheuse.

Insérez l'extrémité du conduit d'évacuation sur le raccord arrière de la sècheuse et fixez-la avec du ruban de toile ou un collier de fixation.



REMARQUE : Nous vous recommandons fortement d'utiliser un conduit d'évacuation rigide et en métal.

- Pour une installation droite, raccordez le conduit d'évacuation de la sècheuse au mur l'aide de ruban en toile.



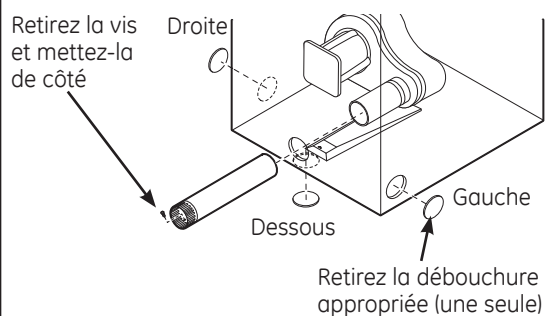
Instructions d'installation

ÉVACUATION LATÉRALE :

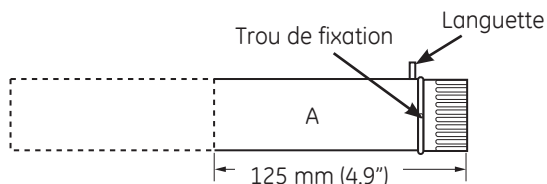
Évacuation par le côté de la carrosserie

⚠ AVERTISSEMENT –

AVANT DE PROCÉDER À L'INSTALLATION DE L'ÉVACUATION, VEILLEZ À COUPER L'ALIMENTATION ÉLECTRIQUE DE LA SÈCHEUSE. PROTÉGEZ VOS MAINS ET VOS BRAS DES PARTIES COUPANTES LORSQUE VOUS TRAVAILLEZ SUR LA CARROSSERIE. MUNISSEZ-VOUS DE GANTS.

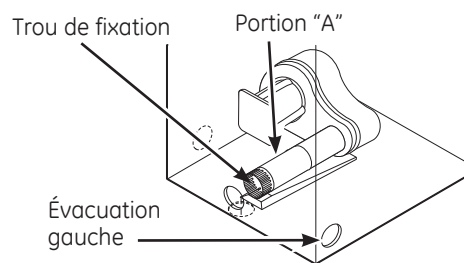


Détachez et retirez la débouchure inférieure, gauche ou droite souhaitée. Retirez la vis à l'arrière de la carrosserie et conservez-la. Sortez le conduit de la sècheuse.



Coupez le tuyau comme indiqué et conservez la portion A.

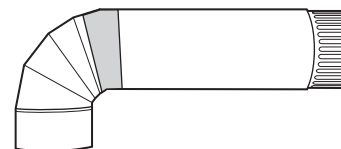
AJOUT D'UN NOUVEAU CONDUIT



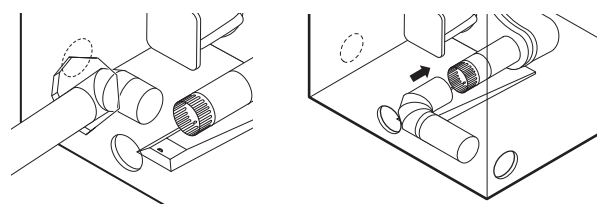
Reconnectez la portion « A » du conduit au logement du ventilateur. Assurez-vous que les trous pour les vis dans le conduit et dans la base sont alignés. Utilisez la vis conservée précédemment pour fixer le conduit à travers la rampe à la base de l'appareil.

AJOUT DE COUDE ET DE CONDUIT D'ÉVACUATION SUR LE CÔTÉ GAUCHE OU DROIT DE LA CARROSSERIE

- Fixez le raccord entre le conduit et le coude à l'aide de ruban adhésif.

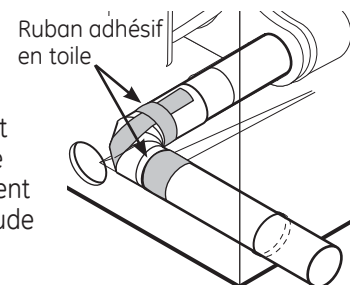


- Insérez le conduit et le coude par l'ouverture arrière et raccordez-les au conduit interne.



⚠ MISE EN GARDE : Assurez-vous de ne pas tirer ou endommager les câbles électriques à l'intérieur de la sècheuse lorsque vous insérez le conduit. Il peut y avoir une légère interférence entre l'évacuation et les câbles.

- Comme indiqué, appliquez du ruban adhésif en toile sur le joint entre le conduit interne de la sècheuse et le coude et également sur le joint entre le coude et le conduit latéral.

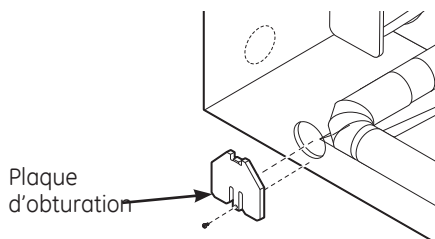


⚠ MISE EN GARDE : Les joints des conduits internes doivent être fixés à l'aide de ruban adhésif ; dans le cas contraire, ils risquent de s'ouvrir et causer des risques à la sécurité.

ÉVACUATION DE LA SÈCHEUSE (suite)

ÉVACUATION LATÉRALE (suite)

AJOUTER UNE PLAQUE D'OBTURATION
À L'ARRIÈRE DE LA CARROSSERIE
(ÉVACUATION LATÉRALE)



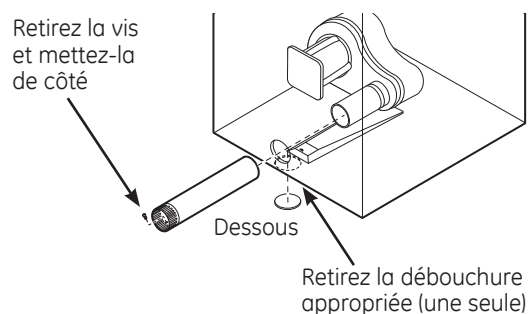
Connectez les coudes et les conduits métalliques pour terminer l'installation du système d'évacuation. Recouvrez l'orifice arrière d'une plaque d'obturation (Plaque d'obturation - WE1M454) disponible auprès de votre fournisseur local. Placez la sècheuse à son emplacement final.

⚠ AVERTISSEMENT –
IL FAUT TOUJOURS LAISSER LA PLAQUE D'OBTURATION SUR L'ORIFICE À L'ARRIÈRE DE LA SÈCHEUSE. RECOUVREZ L'ORIFICE ARRIÈRE D'UNE PLAQUE D'OBTURATION (PLAQUE D'OBTURATION - WE1M454) DISPONIBLE AUPRÈS DE VOTRE FOURNISSEUR LOCAL.

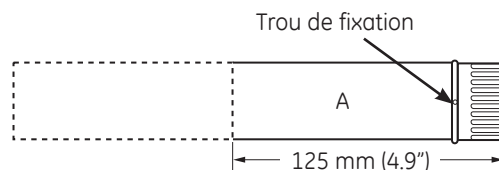
ÉVACUATION PAR LE DESSOUS :

Orifice d'évacuation de la sècheuse
par le dessous de la carrosserie

⚠ AVERTISSEMENT –
AVANT DE PROCÉDER À L'INSTALLATION DU SYSTÈME D'ÉVACUATION, VEILLEZ À COUPER L'ALIMENTATION ÉLECTRIQUE DE LA SÈCHEUSE. PROTÉGEZ VOS MAINS ET VOS BRAS DES PARTIES COUPANTES LORSQUE VOUS TRAVAILLEZ SUR LA CARROSSERIE. MUNISSEZ-VOUS DE GANTS.



Retirez la vis située à l'intérieur du tuyau d'évacuation de la sècheuse et conservez-la. Retirez le tuyau de la sècheuse. Enlevez la débouchure du dessous.

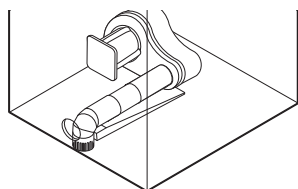
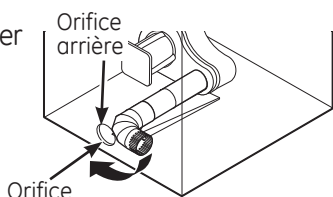
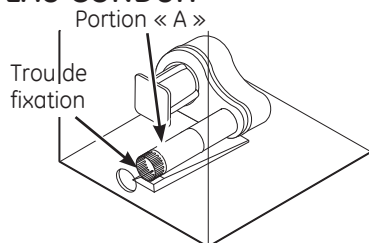


Coupez le tuyau comme indiqué et conservez la portion A.

ÉVACUATION PAR LE DESSOUS (cont.)

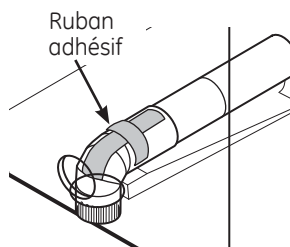
AJOUTER UN NOUVEAU CONDUIT

- Rebranchez la portion découpée A du conduit au boîtier du ventilateur.
- Placez du ruban adhésif sur le coude dans un angle de 90 degrés afin d'éviter toute rotation.
- Introduisez le coude dans l'orifice arrière et connectez-le à la portion A. Pivotez le coude vers l'orifice du dessous.



⚠ MISE EN GARDE : Prenez soin de ne pas tirer ou endommager les fils électriques placés à l'intérieur de la sècheuse lors de l'insertion du conduit.

- Tout en tenant le tuyau et le coude par l'orifice arrière, vissez les tuyaux en place à l'aide de la vis précédemment mise de côté.
- Appliquez du ruban adhésif sur le joint entre le tuyau interne de la sècheuse et le coude.



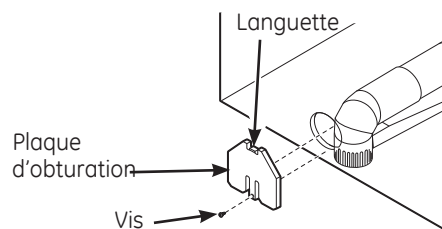
REMARQUE : Assurez-vous que le ruban recouvre le trou de vis de la portion A à l'endroit où il se raccorde au coude.

⚠ MISE EN GARDE : Les joints du conduit interne doivent être fixés avec du ruban adhésif afin d'éviter qu'ils ne se détachent et que ceci n'entraîne un risque pour la sécurité.

ÉVACUATION PAR LE DESSOUS (suite)

Orifice d'évacuation de la sècheuse par le dessous de la carrosserie sur les modèles fonctionnant au gaz et à l'électricité.

AJOUTER UNE PLAQUE D'OBTURATION À L'ARRIÈRE DE LA CARROSSERIE (ÉVACUATION PAR LE DESSOUS)



Connectez les coudes et les conduits métalliques pour terminer l'installation du système d'évacuation. Recouvrez l'orifice arrière d'une plaque d'obturation (Plaque d'obturation - WE1M454) disponible auprès de votre fournisseur local.

Insérez la languette du dessus de la plaque d'obturation dans l'orifice. Serrez la vis qui se trouve sous la plaque d'obturation.

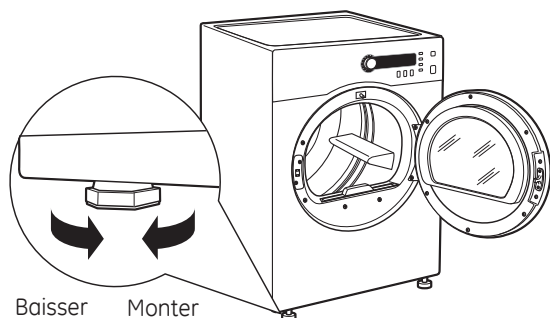
Placez la sècheuse à son emplacement final.

⚠ AVERTISSEMENT -
IL FAUT TOUJOURS LAISSER LA PLAQUE D'OBTURATION SUR L'ORIFICE À L'ARRIÈRE DE LA SÈCHEUSE. RECOUVREZ L'ORIFICE ARRIÈRE D'UNE PLAQUE D'OBTURATION (PLAQUE D'OBTURATION - WE1M454) DISPONIBLE AUPRÈS DE VOTRE FOURNISSEUR LOCAL.

INSTALLATION FINALE

1 METTEZ LA SÉCHEUSE DE NIVEAU

Placez la sècheuse à proximité de l'emplacement final. Réglez les quatre pattes de nivellement pour la mettre de niveau de gauche à droite, et de l'avant vers l'arrière.



4 DÉMARRAGE DE LA SÉCHEUSE

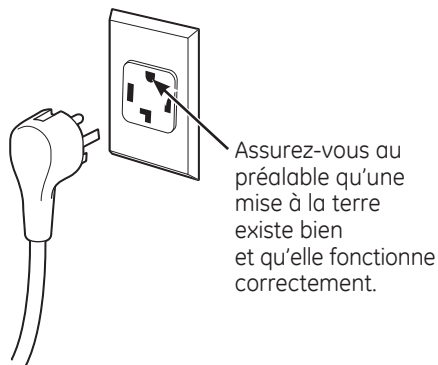
Appuyez sur la touche **POWER (ALIMENTATION)**.



REMARQUE : Si la sècheuse a été exposée à des températures inférieures au point de congélation pendant une période prolongée, laissez-la se réchauffer avant d'appuyer sur **POWER (ALIMENTATION)**. Sinon, l'écran ne s'allumera pas. La sècheuse est maintenant prête à l'emploi.

2 BRANCHEZ LA SÉCHEUSE

REMARQUE : Les installations superposées peuvent nécessiter un cordon d'alimentation d'une longueur supérieure à 1,8 m (6 pi).



MAINTENANCE

⚠ AVERTISSEMENT –

Étiquetez tous les câbles avant de les débrancher pour les réparations. Les erreurs de câblage peuvent provoquer un fonctionnement inapproprié et dangereux après une installation/réparation.

Pour les pièces de rechange et les autres informations, consultez la page 100 du manuel d'utilisation pour connaître les numéros de téléphone du service après-vente.

3 INSTRUCTIONS DE MISE À LA TERRE

Vous devez mettre à la terre cet appareil électroménager. En cas de panne ou de mauvais fonctionnement, cette mise à la terre réduira le risque de secousse électrique en fournissant au courant un passage de moindre résistance. Cet appareil est équipé d'un cordon qui est muni d'un conducteur et d'une fiche de mise à la terre. Cette fiche doit être branchée dans une bonne prise, bien installée et mise à la terre conformément à tous les codes et à toutes les ordonnances locales.

Instructions d'installation

INVERSION DE L'OUVERTURE DE LA PORTE (optionnel)

REMARQUES IMPORTANTES

- Lisez l'ensemble des instructions avant de commencer.
- Manipulez les pièces avec soin afin d'éviter d'abîmer la peinture.
- Prévoyez une surface non abrasive pour les portes.
- Posez les vis à côté de leurs pièces respectives afin d'éviter de les utiliser aux mauvais endroits.
- Toutes les vis doivent être vissées à la main.
- La procédure d'inversion de l'ouverture de la porte dure de 20 à 30 minutes.

IMPORTANT : Après avoir commencé, ne déplacez pas la sècheuse avant que l'inversion de l'ouverture de la porte n'ait été effectuée.

Ces instructions permettent de transférer les charnières du côté droit vers le côté gauche. Si vous souhaitez les réinstaller du côté droit, veuillez suivre ces mêmes instructions et inversez toutes les références aux termes gauche et droite.

MATÉRIEL UTILISÉ

- Vis de fixation



- Vis d'ancrage du support de charnière



- Vis de portes et anneaux plats à vis



OUTILLAGE NÉCESSAIRE

- Tournevis Phillips

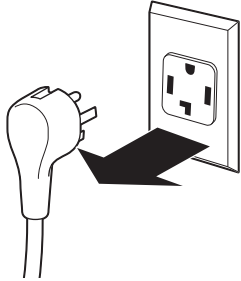


Instructions d'installation

INVERSION DE L'OUVERTURE DE LA PORTE (optionnel)

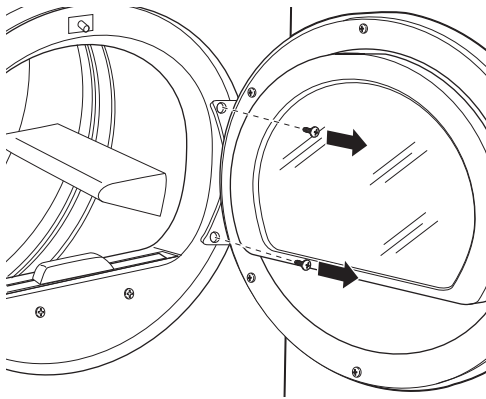
AVANT DE COMMENCER

Débranchez la sécheuse de l'alimentation électrique.

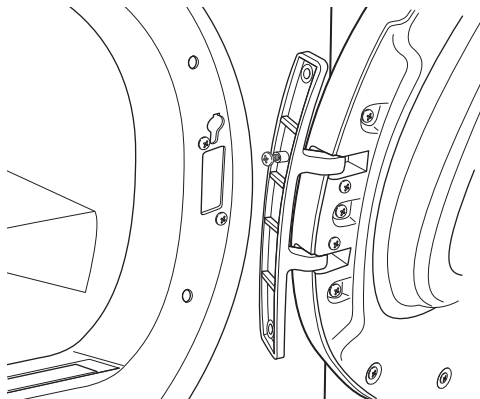


1 RETIREZ L'ASSEMBLAGE DE PORTE

Retirez les vis d'ancrage du support de charnière.

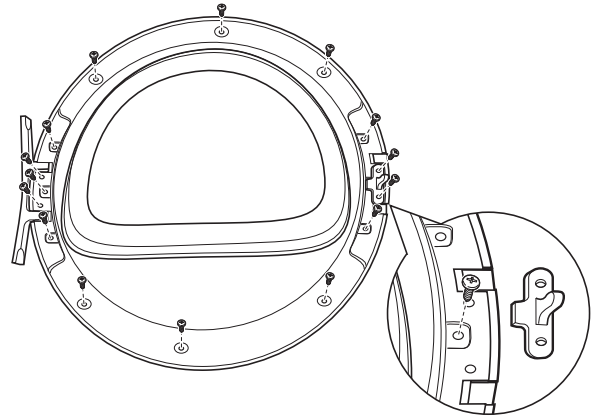


Faites glisser l'ensemble porte et charnière vers le haut, puis retirez-le du panneau frontal de la sécheuse.

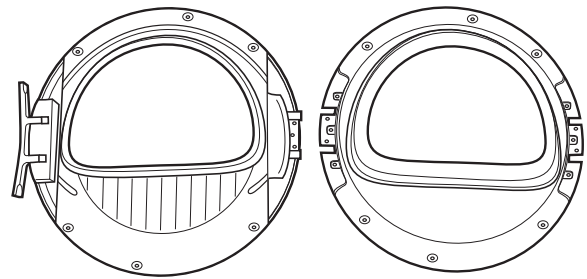


2 DÉMONTÉZ L'ASSEMBLAGE DE PORTE

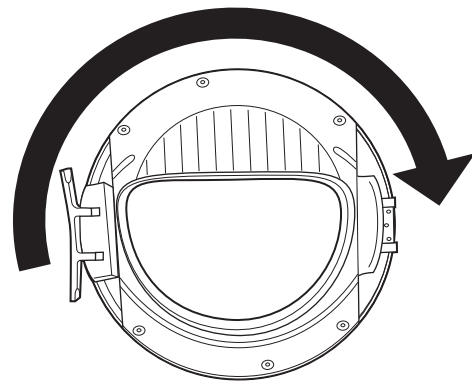
Retirez les 16 vis de la porte et l'extrémité mâle de la fermeture de l'intérieur de la porte.



Retirez la face interne.



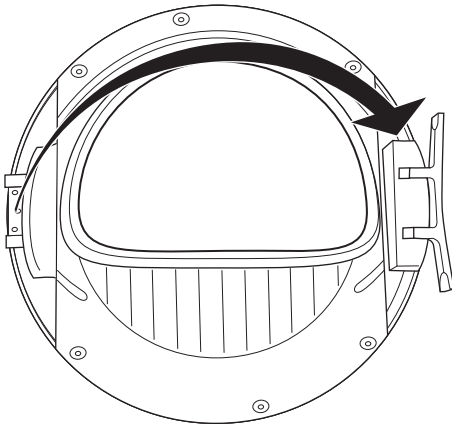
Soulevez et faites tourner l'ensemble de la fenêtre de 180° et remplacez. Faites aussi tourner la face intérieure de 180° et remplacez.



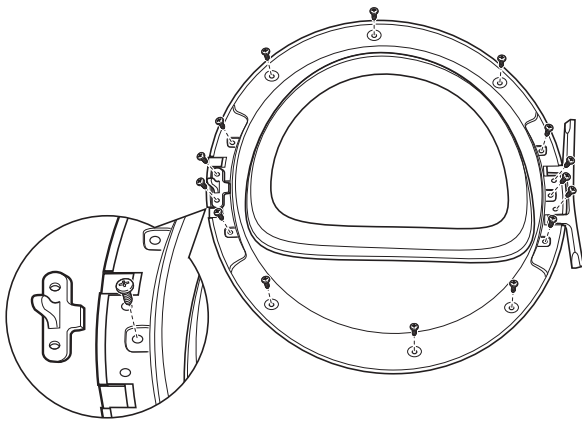
Instructions d'installation

3 REMETTEZ L'ASSEMBLAGE DE PORTE EN PLACE

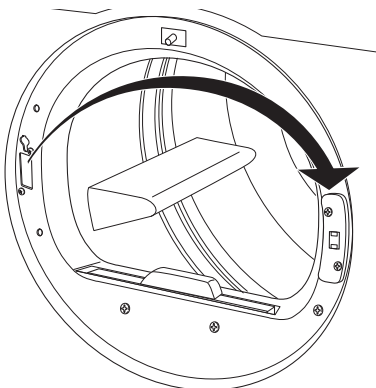
Remettez une vis de porte au centre du côté opposé à la charnière. Puis, remettez la partie mâle de la fermeture en place et fixez à l'aide de deux vis de porte.



Remettez en place toutes les vis de la porte que vous avez retirées.

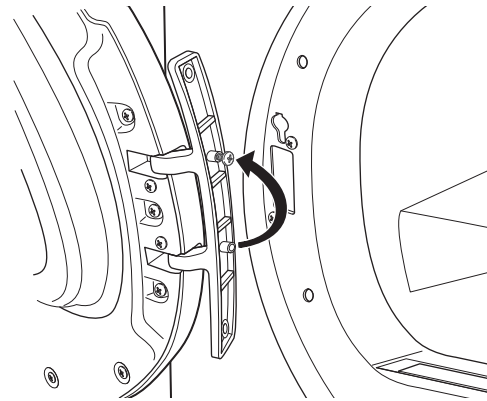


Retirez la partie femelle de la fermeture du panneau avant de la sécheuse, faites-la tourner de 180° et remettez-la en place du côté opposé.

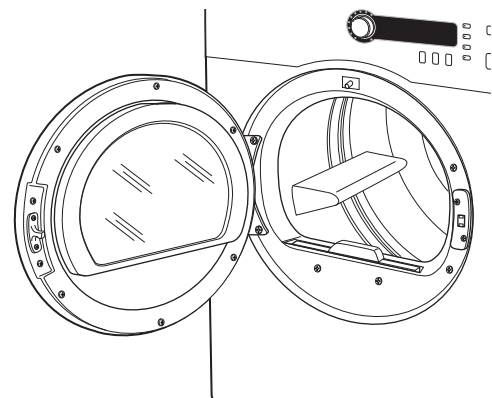
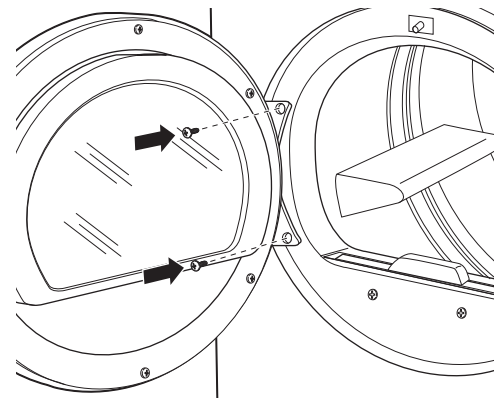


3 REMETTEZ L'ASSEMBLAGE DE PORTE EN PLACE (SUITE)

Déplacez la vis de montage dans le trou de vis au dessus de la charnière de façon à ce que la porte puisse être fixée à la carrosserie pour la fin de l'installation.



Fixez la charnière en haut et en bas à l'aide des vis de montage de la charnière.



Instructions d'installation

COMMENT SUPERPOSER LA SÉCHEUSE À LA LAVEUSE (optionnel)

Si vous envisagez de superposer une sècheuse et une laveuse, commandez la Trousse de superposition GE24STACK à utiliser avec cette sècheuse. La trousse est vendue séparément.

AVANT DE COMMENCER

Lisez ces instructions entièrement et soigneusement.

- **IMPORTANT** – Conservez ces instructions pour l'inspecteur local.
- **IMPORTANT** – Observez tous les codes et les ordonnances en vigueur.
- **Note à l'installateur** – Assurez-vous de laisser ces instructions au consommateur.
- **Note au consommateur** – Conservez ces instructions à titre de référence.
- L'installation de la sècheuse **doit** être effectuée par un installateur qualifié.
- L'installateur est responsable de bien installer cet appareil.
- Les installations superposées peuvent nécessiter un cordon d'alimentation d'une longueur supérieure à 1,8 m (6 pi).

POUR VOTRE SÉCURITÉ :

AVERTISSEMENT –

- Risque de décharge électrique. Coupez l'alimentation électrique avant de procéder à l'installation. Vous risquez de vous blesser gravement si vous ne le faites pas.
- **Blessure corporelle potentielle. La sècheuse doit être soulevée par deux personnes en raison de son poids et de sa taille. Vous risquez de vous blesser gravement, voire mortellement si vous ne tenez pas compte de cette recommandation.**
- Évitez le basculement et le débranchement des services publics. La sècheuse doit être correctement fixée à la laveuse. NE placez PAS la laveuse au dessus de la sècheuse. Vous risquez de vous blesser gravement, voire mortellement ou des dommages matériels si vous ne tenez pas compte de cette recommandation.

DÉGAGEMENTS MINIMUMS AUTRES QUE POUR UNE INSTALLATION ENCASTRÉE

Les dégagements minimums par rapport aux surfaces inflammables et pour l'orifice d'aération sont les suivants : 0 po des deux côtés et 75 mm (3 po) à l'avant et à l'arrière. Veillez à prévoir des dégagements suffisants pour toute installation et réparation.

EXIGENCES RELATIVES À UNE INSTALLATION ENCASTRÉE

- Votre sècheuse a été conçue pour être installée dans une alcôve ou un placard, comme l'indique une étiquette figurant sur l'arrière de la sècheuse.
- L'air de la sècheuse DOIT être évacué vers l'extérieur. Se reporter au chapitre ÉVACUATION DE LA SÉCHEUSE.
- L'espace minimum entre la carrosserie de la sècheuse et les murs adjacents ou d'autres surfaces :

0 mm (0 po) des deux côtés

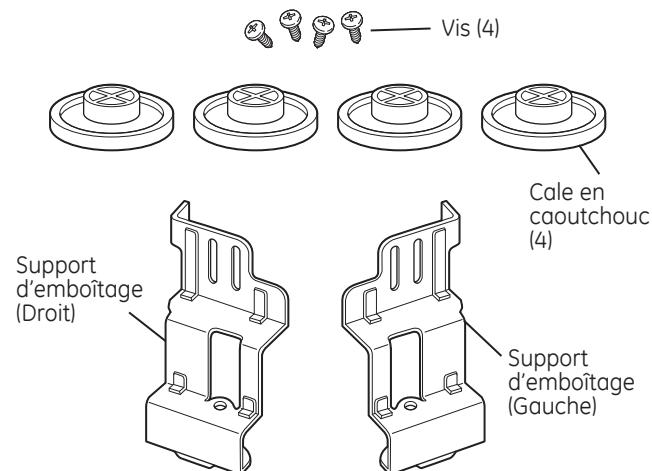
75 mm (3 po) avant et arrière

- Distance verticale minimum du sol aux étagères suspendues, armoires, plafonds, etc. de 171,8 cm (67,7 po).
- Les portes du placard doivent être perforées ou bien ventilées et disposer d'au moins 150 cm² (60 pouces carrés) d'espace ouvert réparti de façon homogène. Si le placard abrite une laveuse et une sècheuse, les portes doivent disposer de 3 m² (120 pouces carrés) au minimum d'espace ouvert réparti de façon homogène.

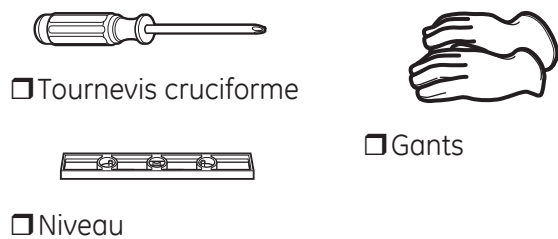
REMARQUE : SI LE TUYAU D'ÉVACUATION EST SITUÉ À L'ARRIÈRE DE LA SÉCHEUSE, L'ESPACE MINIMUM PAR RAPPORT AU MUR EST DE 14 cm (5,5 POUCES).

Instructions d'installation

CONTENU DE LA TROUSSE (TROUSSE GE24STACK)



OUTILS NÉCESSAIRES



COMMENT PRÉPARER L'INSTALLATION

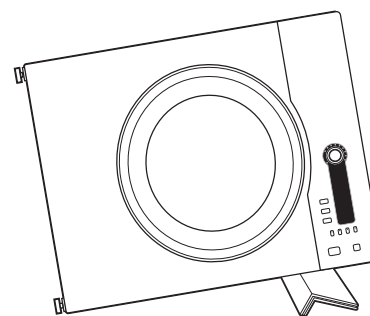
Retirez l'emballage.

Aplatissez le carton pour l'utiliser comme cale pour coucher la sècheuse sur le côté. Utilisez le carton pour protéger également le sol en face de l'endroit choisi pour l'installation.

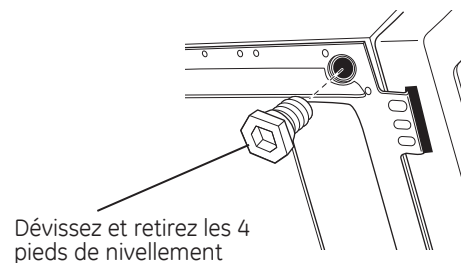
COMMENT INSTALLER L'ENSEMBLE DE SUPPORT DE SUPERPOSITION

1 COMMENT RETIRER LES PIEDS DE NIVELLEMENT DE LA SÈCHEUSE

- A. Posez avec précaution la sècheuse sur le côté. Utilisez le matériau d'emballage de manière à ne pas égratigner le fini de la sècheuse.

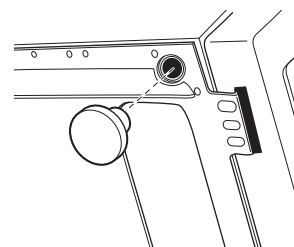


- B. Retirez les pieds de nivellement de la sècheuse.



2 COMMENT INSTALLER LES CALES EN CAOUTCHOUC SUR LA BASE DE LA SÈCHEUSE

- A. Retrouvez les 4 cales en caoutchouc dans le sac de pièces détachées. Insérez les cales en caoutchouc dans les trous des pieds de nivellement.

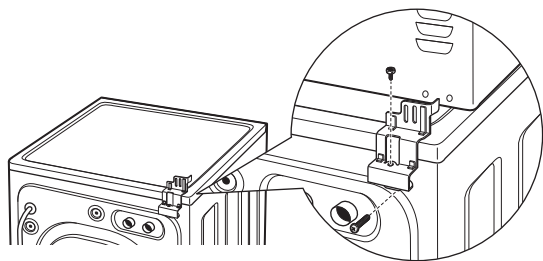


- B. Remettez la sècheuse en position verticale.

COMMENT SUPERPOSER LA SÉCHEUSE À LA LAVEUSE (optionnel) (suite)

3 INSTALLER LE SUPPORT SUR LA LAVEUSE

- A. Retirez la vis du couvercle de la laveuse du côté gauche. Alignez les trous dans le support gauche avec le trou de vis du couvercle sur le côté gauche de l'appareil et remettez la vis en place.
REMARQUE : Ne revissez pas les vis de façon à ce que l'alignement des trous de la sècheuse soit facilité.
- B. Enfoncez la vis suivante à travers le support à l'arrière de la laveuse.
- C. Répétez les étapes précédentes pour le côté droit.

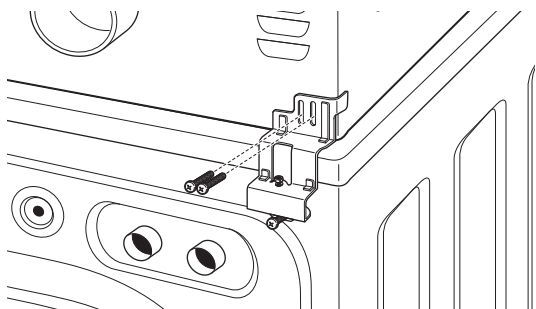


4 INSTALLEZ LA SÉCHEUSE ET LE SUPPORT SUR LA SÉCHEUSE

- A. Placez la sècheuse sur la laveuse. Protégez le panneau de contrôle de la laveuse avec du carton ou autre. Assurez-vous de lever la sècheuse suffisamment haut pour passer au-dessus du panneau de contrôle de la laveuse.

⚠ AVERTISSEMENT – Blessure corporelle potentielle. Il est recommandé d'avoir plus de deux personnes pour mettre la sècheuse dans sa position finale à cause de sa taille et de son poids. Le non-respect de ces règles peut entraîner des blessures corporelles sérieuses, voire la mort.

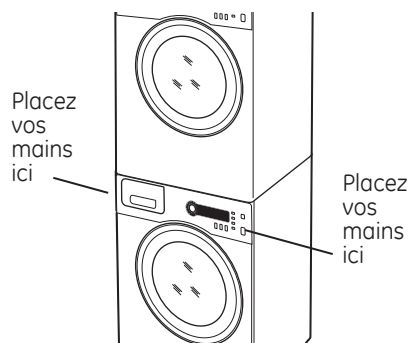
- B. Alignez les trous dans le support avec les trous au dos de la sècheuse. À l'aide d'un tournevis Phillips, fixez les 2 vis autotaraudeuses n°8 x 1/2 po.
- C. Serrez les vis de support de la sècheuse, puis serrez les vis du dispositif de superposition.



5 COMMENT TERMINER L'INSTALLATION

- A. Reportez-vous aux consignes d'installation pour terminer l'installation de la laveuse.
- B. Reportez-vous aux consignes d'installation pour terminer l'installation de la sècheuse.
- C. Poussez avec précaution la laveuse et la sècheuse superposées à leur emplacement définitif. Utilisez des cales en feutre ou tout autre dispositif coulissant pour faciliter le déplacement et protéger le revêtement du sol.

⚠ AVERTISSEMENT – Blessure corporelle potentielle. Ne poussez pas sur la sècheuse lorsqu'elle est installée au-dessus de la laveuse. Si vous poussez sur la sècheuse, vous risquez de vous coincer vos doigts.



Avant d'appeler un réparateur...



Conseils de dépannage—Économisez du temps et de l'argent! Consultez d'abord les tableaux ci-dessous ou visitez www.GEAppliances.ca. Vous pourrez peut-être éviter de faire appel à un réparateur.

Problème	Causes possibles	Correctifs
La sècheuse émet des secousses et des bruits	Le bruit/ou les secousses sont normaux. La sècheuse est peut-être placée sur une surface inégale	<ul style="list-style-type: none"> Placez l'appareil sur une surface plane, ou ajustez les pieds au besoin jusqu'à ce qu'il soit bien de niveau.
Le séchage est trop long	Des conduits inadéquats ou bouchés	<ul style="list-style-type: none"> Consultez les consignes d'installation afin de vous assurer que l'évacuation de l'air de la sècheuse est correcte. Veillez à ce que le conduit soit propre, non déformé et non bouché. Vérifiez si la hotte à évacuation du mur extérieur est propre et fonctionne correctement.
	Tri erroné	<ul style="list-style-type: none"> Séparez les articles lourds des légers (en général un linge correctement trié dans la laveuse l'est aussi dans la sècheuse).
	Charges de tissus lourds (serviettes par exemple)	<ul style="list-style-type: none"> Les tissus lourds et de grande taille contiennent de l'humidité et tardent davantage à sécher. Répartissez les tissus lourds et de grande taille en de plus petites charges pour accélérer le séchage.
	Les commandes sont mal réglées	<ul style="list-style-type: none"> Réglez les commandes conformément à la charge que vous séchez.
	Le filtre à charpie est plein	<ul style="list-style-type: none"> Nettoyez le filtre à charpie avant chaque utilisation.
	Fusibles grillés ou disjoncteur déclenché	<ul style="list-style-type: none"> Remplacez les fusibles ou réenclenchez les disjoncteurs. La plupart des sècheuse étant équipées de 2 fusibles/disjoncteurs, assurez-vous que les deux fonctionnent.
	Surcharge/charges mixtes	<ul style="list-style-type: none"> Ne mettez pas plusieurs charges dans la sècheuse à la fois.
	Charge insuffisante	<ul style="list-style-type: none"> Si vous ne séchez qu'un ou deux articles, ajoutez d'autres vêtements afin d'obtenir un bon culbutage.
Le niveau de séchage DRY a été sélectionné mais le linge est toujours humide	La brassée est composée de vêtements lourds et légers	<ul style="list-style-type: none"> Lorsque vous mélangez les tissus lourds et légers, sélectionnez MORE DRY (PLUS SEC).
	Le système d'évacuation est bloqué	<ul style="list-style-type: none"> Inspectez et nettoyez-le.
Les touches de commande ne répondent pas	Les commandes ont été accidentellement réglées au mode réparation	<ul style="list-style-type: none"> Appuyez sur START/PAUSE (MISE EN MARCHÉ/PAUSE).
	Les commandes ont été accidentellement réglées au mode verrouillage	<ul style="list-style-type: none"> Maintenez la touche LOCK (VERROUILLAGE) enfoncée pendant 3 secondes pour déverrouiller la sècheuse.
	Les commandes fonctionnement mal	<ul style="list-style-type: none"> Réenclenchez le disjoncteur de votre domicile.
La sècheuse ne démarre pas	Le panneau de contrôle est en « veille »	<ul style="list-style-type: none"> C'est normal. Appuyez sur POWER (ALIMENTATION) pour activer le panneau de contrôle.
	La sècheuse est débranchée	<ul style="list-style-type: none"> Veillez à ce que la fiche de la sècheuse soit entièrement branchée dans la prise.
	Fusible grillé/disjoncteur déclenché	<ul style="list-style-type: none"> Vérifiez le fusible disjoncteur et remplacez le fusible ou réenclenchez le disjoncteur. REMARQUE : Les sècheuses électriques utilisent deux fusibles ou disjoncteurs.
	La sècheuse a été arrêtée par inadvertance au moment de régler la fonction Delay Start (Mise en marche différée)	<ul style="list-style-type: none"> Si la lumière de la touche START/PAUSE (MISE EN MARCHÉ/PAUSE) clignote, la sècheuse est arrêtée. Appuyez sur START/PAUSE (MISE EN MARCHÉ/PAUSE) pour lancer le compte à rebours.
Aucun chiffre n'apparaît pendant le cycle, il ne fait que s'allumer	La sècheuse évalue la quantité d'humidité du linge	<ul style="list-style-type: none"> C'est normal. Lorsque la sècheuse détectera un faible niveau d'humidité dans le linge, elle affichera le temps de séchage restant.

Avant d'appeler un réparateur...

Problème	Causes possibles	Correctifs
Le temps restant a diminué	Le temps estimé risque de changer lorsqu'une charge plus petite est en train de sécher	• C'est normal.
Impossible de procéder à une sélection et la sècheuse émet un double bip	L'option DRYNESS LEVEL (NIVEAU DE SÉCHAGE), TEMP (TEMPERATURE) ou l'OPTION que vous tentez de sélectionner est incompatible avec le cycle de séchage sélectionné	• C'est normal.
La sècheuse fonctionne mais 00 est le temps restant affiché	L'option EXTEND TUMBLE (CULBUTAGE PROLONGÉ) a été sélectionnée	• C'est normal. Pendant un culbutage prolongé, le temps restant n'est pas affiché. L'option de culbutage prolongé dure environ 20 minutes. Elle culbutera par intermittence pendant environ 70 minutes.
Nettoyez le filtre pour à charpie (message)	Le bouton POWER (ALIMENTATION) a été activé	• Appuyez sur START/PAUSE (MISE EN MARCHÉ/PAUSE) lancer un cycle de séchage et le message disparaîtra.
La sècheuse ne chauffe pas	Fusible grillé/disjoncteur déclenché, la sècheuse peut tourner mais ne chauffe pas	• Vérifiez le fusible disjoncteur et remplacez le fusible ou réenclenchez le disjoncteur. Votre sècheuse peut tourner si un fusible est grillé ou un disjoncteur est déclenché.
Temps de séchage non uniformes	Type de chaleur	• Le temps de séchage variera en fonction du type de chauffage utilisé. Si vous avez récemment remplacé votre sècheuse électrique par un modèle à gaz propane, ou vice-versa, le temps de séchage peut ne pas être le même.
	Type de charge et conditions de séchage	• La taille du linge, les types de tissus, l'humidité du linge et la longueur et l'état du système d'évacuation auront une influence sur le temps de séchage.
Lueur à l'arrière du tambour	Éléments chauffants derrière le tambour	• C'est normal. Dans certaines conditions de séchage et d'éclairage de la pièce, la lueur des éléments peut être visible à l'arrière du tambour.
Le linge est toujours humide et la sècheuse s'est arrêtée après quelques instants	La porte a été ouverte au milieu du cycle. Le linge a été ensuite retiré de la sècheuse et une nouvelle charge introduite sans sélectionner un nouveau cycle	• Un cycle de séchage doit être sélectionné chaque fois qu'une nouvelle brassée est placée dans l'appareil.
	Charge petite	• Si vous séchez 3 articles au plus, sélectionnez SPEED DRY (SÉCHAGE RAPIDE) ou TIMED DRY (SÉCHAGE MINUTÉ) .
	Le linge est déjà sec à l'exception des cols et les ceintures	• Sélectionner SPEED DRY (SÉCHAGE RAPIDE) ou TIMED DRY (SÉCHAGE MINUTÉ) pour sécher des cols et des ceintures. À l'avenir, lorsque vous séchez des articles possédant des cols et des ceintures, sélectionnez plutôt MORE DRY (PLUS SEC) .
	La sècheuse n'est pas placée sur une surface plane	• Placez l'appareil sur une surface plane, ou ajustez les pieds au besoin jusqu'à ce qu'il soit bien de niveau.
Le linge est froissé	Séchage excessif	• Sélectionnez un temps de séchage plus court. • Retirez du linge pendant qu'il est encore légèrement humide. Sélectionnez les options LESS DRY (MOINS SEC) ou DAMP (HUMIDE) .
	Linge laissé dans la sècheuse alors que le cycle est fini	• Retirez le linge une fois le cycle terminé, pliez et suspendez-le immédiatement, ou utilisez l'option EXTEND TUMBLE (CULBUTAGE PROLONGÉ) .
	Surcharge	• Répartissez les tissus lourds et de grande taille en de plus petites charges.

Problème	Causes possibles	Correctifs
Le linge a rétréci pas	Certains tissus rétrécissent naturellement au lavage. D'autres peuvent être lavés sans problème, mais rétrécissent dans la sècheuse	<ul style="list-style-type: none"> Afin d'éviter tout rétrécissement, suivez les indications figurant sur les étiquettes des vêtements. Certains vêtements doivent être étirés après le séchage afin qu'ils retrouvent leur forme d'origine. Si vous avez peur qu'un vêtement rétrécisse, ne le lavez à la machine ou ne le séchez pas dans la sècheuse.
Des tâches de gras sur le linge	Une utilisation inadéquate de l'assouplissant	<ul style="list-style-type: none"> Suivez le mode d'emploi figurant sur l'emballage de l'assouplissant.
	Séchage de linge propre avec du linge sale	<ul style="list-style-type: none"> Utilisez votre sècheuse pour ne sécher que du linge propre. Le linge sale risque de tacher le linge propre et la sècheuse.
	Le linge n'était pas complètement propre	<ul style="list-style-type: none"> Il arrive parfois que des tâches ne soient pas visibles lorsque le linge est humide et <i>apparaissent</i> après le séchage. Utilisez des procédures de lavage adéquates avant le séchage.
De la charpie sur le linge	Le filtre à charpie est plein	<ul style="list-style-type: none"> Nettoyez le filtre à charpie avant chaque utilisation.
	Tri erroné	<ul style="list-style-type: none"> Triez les tissus producteurs de charpie (chenille par exemple) des tissus collecteurs de charpie (le velours côtelé par exemple).
	L'électricité statique peut attirer la charpie	<ul style="list-style-type: none"> Se reporter aux suggestions de la section ÉLECTRICITÉ STATIQUE.
	Surcharge	<ul style="list-style-type: none"> Répartissez les tissus lourds et de grande taille en de plus petites charges.
	Papier, mouchoir, etc., oubliés dans les poches	<ul style="list-style-type: none"> Videz toutes les poches avant de laver le linge.
Électricité statique	Aucun assouplissant n'a été utilisé	<ul style="list-style-type: none"> Essayez un assouplissant. Les feuilles d'assouplissant textile de marque Bounce^{MD} ont été approuvées pour toutes les sècheuses GE lorsqu'elles sont utilisées conformément aux instructions du fabricant.
	Séchage excessif	<ul style="list-style-type: none"> Essayez un assouplissant. Réglez l'option LESS DRY (MOINS SEC) ou DAMP (HUMIDE).
	Les synthétiques, les mélanges et les infroissables peuvent provoquer de l'électricité statique	<ul style="list-style-type: none"> Essayez un assouplissant.
Les cols et les ceintures sont toujours humides à la fin du cycle	Le capteur d'humidité détecte que la majeure partie du linge est sèche	<ul style="list-style-type: none"> Sélectionnez SPEED DRY (SÉCHAGE RAPIDE) ou TIMED DRY (SÉCHAGE MINUTÉ) pour sécher les cols et les ceintures humides. À l'avenir, lorsque vous séchez des articles possédant des cols et des ceintures, sélectionnez plutôt MORE DRY (PLUS SEC).
Légère variation de la couleur métallique	C'est normal	<ul style="list-style-type: none"> En raison des propriétés métalliques de la peinture utilisée pour ce produit, de légères variations de couleur peuvent se produire en raison des conditions d'éclairage et des angles d'observation.

Garantie de la sècheuse GE.



Tout le service sous garantie est fourni par nos Centres de service ou par un technicien autorisé.
Pour le service, appelez le 1.800.561.3344.

Veillez fournir le numéro de série et le numéro de modèle lorsque vous appelez pour obtenir le service.

Pour une période de : Nous remplacerons :

Un an

À partir de la date
d'achat d'origine

Toute pièce de la sècheuse qui se révèle défectueuse en raison d'un vice de matériaux ou de fabrication. Pendant cette **garantie limitée de un an**, GE prendra en charge également, **gratuitement**, tous les frais de main-d'œuvre et les frais connexes de service pour remplacer la pièce défectueuse.

Ce qui n'est pas couvert :

- Les frais de déplacements à votre maison pour vous apprendre à utiliser votre produit.
- Une mauvaise installation, livraison ou entretien.
- Une panne du produit si celui-ci est maltraité, mal utilisé ou utilisé à des fins autres que celles auxquelles il est destiné, ou utilisé commercialement.
- Remplacement de l'ampoule lumineuse après sa durée de vie utile prévue.
- Le remplacement de fusibles de la maison ou le réenclenchement des disjoncteurs.
- Des dommages au produit causés par un accident, un incendie, une inondation ou une catastrophe naturelle.
- Tout dommage indirect ou consécutif causé par des pannes possibles de cet appareil électroménager.
- Des dommages après la livraison.
- Le service s'il est impossible d'avoir accès au produit pour l'effectuer.

EXCLUSION DE GARANTIES IMPLICITES – Votre seul et unique recours est la réparation du produit selon les dispositions de cette Garantie limitée. Toutes les garanties implicites, incluant les garanties de qualité marchande et de convenance, sont limitées à une année ou à la période la plus courte autorisée par la législation.

Cette garantie est étendue à l'acheteur d'origine et aux propriétaires suivants pour tout produit acheté au Canada en vue d'une utilisation domestique au Canada. Le service à domicile en vertu de la garantie sera fourni dans les régions où il est disponible et où Mabe estime raisonnable de le fournir.

LE GARANT N'EST PAS RESPONSABLE DES DOMMAGES INDIRECTS.

Garant : MABE CANADA INC.

Mesures de sécurité

Fonctionnement

Conseils de dépannage

Soutien au consommateur

Soutien au consommateur.



Site Web appareils électroménagers GE www.electromenagersge.ca

Vous avez une question ou vous avez besoin d'aide pour votre appareil électroménager? Contactez-nous par Internet au site www.electromenagersge.ca 24 heures par jour, tous les jours de l'année.



Service de réparations

1.800.561.3344

Service de réparations GE tout près de vous.

Pour faire réparer votre électroménager GE, il suffit de nous téléphoner.



Studio de conception réaliste

Sur demande, GE peut fournir une brochure sur l'aménagement d'une cuisine pour les personnes à mobilité réduite.

Écrivez: Directeur, Relations avec les consommateurs, Mabe Canada Inc.
Bureau 310, 1 Factory Lane
Moncton, N.B. E1C 9M3

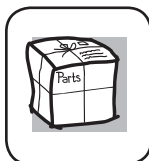


Prolongation de garantie

www.electromenagersge.ca

Achetez un contrat d'entretien GE avant que votre garantie n'expire et bénéficiez d'un rabais substantiel. Ainsi le service après-vente GE sera toujours là après expiration de la garantie.

Visitez notre site web ou contactez votre fournisseur local de garanties prolongées.



Pièces et accessoires

Ceux qui désirent réparer eux-mêmes leurs électroménagers peuvent recevoir pièces et accessoires directement à la maison (cartes VISA, MasterCard et Discover acceptées).

Les directives stipulées dans le présent manuel peuvent être suivies par n'importe quel utilisateur. Les autres réparations doivent généralement être effectuées par un technicien qualifié. Soyez prudent, car une réparation inadéquate peut affecter le fonctionnement sécuritaire de l'appareil.

Vous trouverez dans les pages jaunes de votre annuaire le numéro du Centre de service Mabe le plus proche. Autrement, appelez-nous au 1.800.661.1616.



Contactez-nous

Si vous n'êtes pas satisfait du service après-vente dont vous avez bénéficié :

Premièrement, communiquez avec les gens qui ont réparé votre appareil.

Ensuite, si vous n'êtes toujours pas satisfait envoyez tous les détails-numéro de téléphone compris-au
Directeur, Relations avec les consommateurs, Mabe Canada Inc.
Bureau 310, 1 Factory Lane
Moncton, N.B. E1C 9M3



Inscrivez votre appareil électroménager www.electromenagersge.ca

Inscrivez votre appareil électroménager en direct, aussitôt que possible. Cela améliorera nos communications et notre service après-vente. Vous pouvez également nous envoyer par la poste le formulaire d'inscription joint à votre documentation.

Instrucciones de seguridad74-76

Instrucciones de funcionamiento

Cómo usar la secadora82
Controles.....77-79
Opciones de ciclo80, 81

Instrucciones de instalación

Antes de comenzar83, 84
Cómo apilar la lavadora y la secadora 100-102
Cómo conectar una secadora eléctrica 86-88
Cómo invertir la apertura la puerta97-99
Configuración final96
Salida al exterior de la secadora89-95
Ubicación de la secadora84, 85

Consejos para solución de problemas

..... 103-105

Soporte al consumidor

Garantía (EE.UU.) 106
Soporte al consumidor 107

GUARDE ESTAS INSTRUCCIONES

Escriba los números de modelo y de serie aquí:

Modelo # _____

Serie # _____

Se encuentran en una etiqueta en el frente de la secadora detrás de la puerta.

Instrucciones de seguridad

Instrucciones de funcionamiento

Consejos para la solución de problemas

Soporte al consumidor

INFORMACIÓN IMPORTANTE DE SEGURIDAD. LEA TODAS LAS INSTRUCCIONES ANTES DE USAR.

⚠ ¡ADVERTENCIA!

Para su seguridad, debe cumplirse con la información de este manual a fin de minimizar el riesgo de incendio o explosión, descarga eléctrica o para prevenir daños a la propiedad, lesiones personales o la muerte.

- No almacene o use gasolina u otros vapores o líquidos inflamables cerca de este o cualquier otro artefacto.
- La instalación y servicio técnico deben realizarlos un instalador calificado, una agencia de servicio o el proveedor de gas.



INSTALACIÓN ADECUADA

Esta secadora debe instalarse de manera adecuada y ubicarse de acuerdo con las Instrucciones de Instalación antes de comenzar el uso. Las Instrucciones de instalación están incluidas en la parte trasera de esta manual.

- Conecte a tierra la secadora para cumplir con los códigos y ordenanzas vigentes. Siga los detalles de las Instrucciones de instalación.
- Almacene e instale el artefacto donde no sufra temperaturas bajo cero o condiciones climáticas externas, lo que podría provocar daños permanentes e invalidar la garantía.
- Conecte a un circuito de suministro de energía con clasificación, protección y tamaño adecuados para evitar una sobrecarga eléctrica.
- Quite todos los elementos de empaque filosos y elimine todos los materiales de empaque correctamente.

Salida al exterior/Conductos

- 1 Las secadoras **DEBEN** tener una salida al exterior para evitar que grandes cantidades de humedad y pelusas queden dentro de la habitación.
- 2 Use sólo conductos rígidos de metal de 4" de diámetro dentro del gabinete de la secadora. Utilice sólo conductos rígidos o flexibles de metal de 4 pulgadas de diámetro para la salida al exterior. Nunca use conductos de plástico u otros conductos combustibles fáciles de perforar.

Para detalles completos, siga las Instrucciones de instalación.

⚠ ¡ADVERTENCIA!



SU ÁREA DE LAVADERO

- Mantenga el área debajo y alrededor de sus artefactos libre de materiales combustibles (pelusas, papel, trapos, etc.), gasolina, químicos y otros vapores y líquidos inflamables.
- Mantenga el piso cercano a sus artefactos limpio y seco para reducir la posibilidad de resbalarse.
- Se requiere una supervisión estricta cuando cualquier artefacto es utilizado por niños o en su cercanía. No permita que los niños jueguen sobre, con o dentro de este o cualquier otro artefacto.
- Mantenga el área alrededor de la salida y las áreas cercanas libres de acumulación de pelusas, polvillo y suciedad.
- Mantenga los elementos de lavado (tales como detergentes, lejías, etc.) fuera del alcance de los niños, preferentemente en un gabinete cerrado con llave. Cumpla con todas las advertencias de las etiquetas para evitar lesiones.
- Nunca se suba o pare sobre la secadora.



CUANDO USE SU SECADORA

- Nunca introduzca las manos dentro de la secadora mientras el tambor esté en movimiento. Antes de cargar, descargar o agregar ropa, espere a que el tambor se haya detenido por completo.
- Limpie el filtro de pelusa antes de cada carga para evitar la acumulación de pelusa dentro de la secadora o dentro de la habitación.
NO HAGA FUNCIONAR LA SECADORA SIN EL FILTRO DE PELUSAS EN SU LUGAR.
- No lave o seque artículos que se hayan limpiado, lavado, sumergido o manchado con sustancias combustibles o explosivas (tales como cera, aceite, pintura, gasolina, desgrasantes, solventes para limpieza en seco, querosén, etc.). Estas sustancias emiten vapores que pueden encenderse o explotar. No agregue estas sustancias al agua del lavado. No utilice o coloque estas sustancias alrededor de su lavadora o secadora durante el funcionamiento.
- No coloque elementos expuestos a aceites comestibles dentro de su secadora. Los elementos contaminados con aceites para cocinar pueden generar una reacción química que podría provocar que una carga de ropa se prenda fuego.
- Cualquier artículo que se haya utilizado con solventes de limpieza o que contenga materiales inflamables (tales como trapos de limpieza, trapeadores, toallas utilizadas en salones de belleza, restaurantes o peluquerías, etc.) no deben colocarse dentro o cerca de la secadora hasta que los solventes o materiales inflamables se hayan eliminado. Existen muchos productos altamente inflamables en los hogares, tales como acetona, alcohol desnaturalizado, gasolina, querosén, algunos limpiadores domésticos, algunos removedores de manchas, aguarrás, ceras, removedores de cera y productos que contienen destilados de petróleo.
- El proceso de lavado puede reducir la resistencia al fuego de las telas. Para evitarlo, siga detenidamente las instrucciones de cuidado del fabricante de la prenda.
- No seque artículos que contengan goma, plástico o materiales similares, tales como sostenes con relleno, zapatillas, galochas, alfombrillas de baño, alfombras, baberos, pantalones para bebés, bolsas plásticas, almohadas, etc. que podrían derretirse o quemarse. Cuando se calientan, algunos materiales de goma pueden, en algunas circunstancias, producir un incendio por combustión espontánea.
- No almacene plástico, papel o prendas que puedan quemarse o derretirse sobre la secadora durante el funcionamiento.
- Las prendas con etiquetas como *Secar alejado del calor* o *No secar en secadora* (como los chalecos salvavidas que contienen Kapok) no debe colocarse en su secadora.
- No seque artículos de fibra de vidrio en la secadora. Puede producirse irritación en la piel debido a las partículas que se pegan a la ropa durante usos posteriores.
- Para minimizar la posibilidad de una descarga eléctrica, desenchufe este artefacto del suministro de energía o desconecte la secadora desde el panel de distribución doméstico quitando los fusibles o apagado el disyuntor antes de realizar mantenimiento o limpiar (excepto la remoción y limpieza del filtro de pelusas).
NOTA: Presionar **START/PAUSE** (inicio/pausa) o **POWER** (encendido) **NO** desconecta el artefacto del suministro de energía.

INFORMACIÓN IMPORTANTE DE SEGURIDAD. LEA TODAS LAS INSTRUCCIONES ANTES DE USAR.

⚠ ¡ADVERTENCIA!



CUANDO USE SU SECADORA (cont.)

- Nunca trate de utilizar este artefacto si está dañado, parcialmente desarmado, funciona mal, o tiene piezas rotas o faltantes, incluyendo un cable o enchufe dañados.
- Un técnico calificado debe limpiar la parte interna de la máquina y la conexión del conducto de salida dentro de la secadora por lo menos una vez al año. Ver la sección *Consejos de clasificación y carga* de la página 82.
- Quizás desee suavizar las telas o reducir la electricidad estática de ellas utilizando un suavizante de telas aplicado en la secadora o un acondicionador anti-estática. Recomendamos que use un suavizante de telas en el ciclo de lavado, de acuerdo con las instrucciones del fabricante de dichos productos, o que pruebe un producto para uso en secadoras del cual el fabricante ofrezca una garantía escrita en el paquete de que su producto puede usarse en forma segura en la secadora. Los arreglos o problemas de funcionamiento provocados por el uso de tales productos son responsabilidad de los fabricantes de dichos productos y no se encuentran cubiertos por la garantía de este artefacto.



CUANDO NO USA SU SECADORA

- Tome el enchufe con firmeza cuando desconecte este artefacto para no dañar el cable mientras tira del mismo. Coloque el cable alejado de áreas de tránsito para que nadie lo pise, lo dañe o se tropiece con él.
- No trate de reparar o cambiar ninguna pieza de este artefacto ni trate de efectuar arreglos a menos que se recomiende en este Manual de usuario o en instrucciones de reparación publicadas que usted comprenda y cuente con las habilidades para efectuarlas.
- Antes de deshacerse de la secadora, o quitarla del servicio, quite la puerta para evitar que los niños se escondan en su interior.
- No altere o modifique los controles.



LEA Y SIGA ESTA INFORMACIÓN DE SEGURIDAD CUIDADOSAMENTE

GUARDE ESTAS INSTRUCCIONES

⚠ ¡ADVERTENCIA!

Para reducir el riesgo de incendio, descarga eléctrica o lesiones a personas, lea las INSTRUCCIONES IMPORTANTES DE SEGURIDAD antes de utilizar este aparato.

A lo largo de este manual, las características y apariencia pueden ser diferentes a las de su modelo.

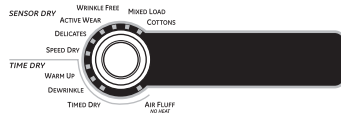
Inicio rápido

Si la pantalla está oscura, presione el botón **POWER** (encendido) para “despertar” la pantalla.

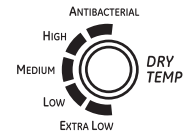
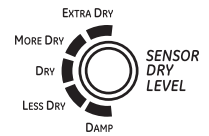
1 Presione el botón **POWER**.



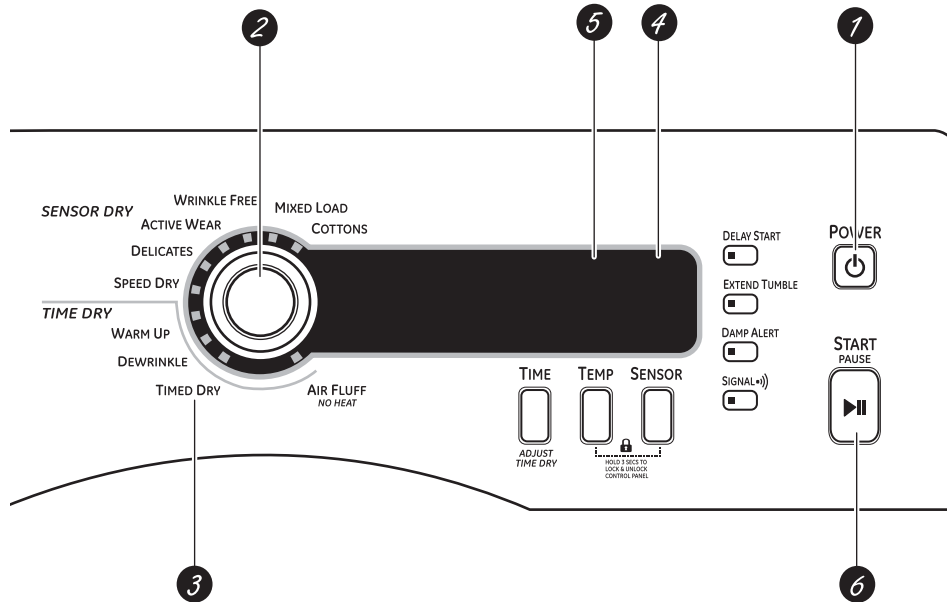
2 Seleccione un ciclo girando la perilla **Cycle** (ciclo).



Si usted seleccionó un ciclo **TIME DRY** (secado temporizado): seleccione su configuración de calor y el tiempo que desea secar las prendas presionando el botón **TIME** (tiempo) hasta que el tiempo deseado aparezca en la pantalla. Luego presione el botón **START/PAUSE** (iniciar/pausa).



3 Si seleccionó **SENSOR DRY CYCLE** (ciclo con secado sensor) sólo presione el botón **START/PAUSE** (inicio/pausa).



1 Power (encendido)

Presione para “despertar” la pantalla. Si la pantalla está activa, presione para apagar la secadora.

NOTA: Presionar **POWER** no desconecta el artefacto del suministro de energía.

Sobre el panel de control de la secadora.

2 Dry Cycles (ciclos de secado)

El ciclo de secado controla el tiempo del ciclo para el proceso de secado. La tabla siguiente lo ayudará a combinar la configuración de secado con las cargas.

Sensor Cycles (ciclos con sensor)

COTTONS	Para algodones y la mayoría de los linos.
MIXED LOAD	Para cargas que cuentan con algodones y mezclas de poliéster.
WRINKLE FREE	Para prendas libres de arrugas/cuidado sencillo y de planchado permanente.
ACTIVE WEAR	Prendas utilizadas para ejercicio físico activo y algunas prendas informales. Las telas incluyen acabados de tecnología nueva y fibras elásticas como el Spandex.
DELICATES	Para lencería y telas delicadas.
SPEED DRY	Para cargas pequeñas que se necesitan cuando antes, como uniformes deportivos o escolares. También puede usarse si el ciclo anterior dejó húmedas algunas partes, como cuellos o cinturas.

Timed Dry Cycles (ciclos de secado temporizado)

WARM UP	Brinda 10 minutos de calentamiento de las ropas.
DEWRINKLE	Para quitar arrugas de prendas que se encuentran secas o apenas húmedas. No se recomienda este ciclo para telas delicadas.
AIR FLUFF	Utilice esta característica para secar prendas sin calor.

3 Timed Dry (secado temporizado propio)

Utilícelo para configurar su propio tiempo de secado. **TIMED DRY** también se recomienda para pequeñas cargas.

Para usar TIMED DRY:

1. Gire la perilla de ciclo de secado a **TIMED DRY**.
2. Seleccione el tiempo de secado presionando el botón **TIME** (tiempo). Usted puede incrementar el tiempo en unidades de 10 minutos hasta 1 hora y 20 minutos.
3. Seleccione la **DRY TEMP** (temperatura de secado).
4. Cierre la puerta.
5. Presione **START/PAUSE** (iniciar/pausa).

4 Sensor Dry Level (nivel de secado con sensor)

El sensor continuamente monitorea la cantidad de humedad de la carga. Cuando la humedad de sus ropas alcanza su nivel de secado seleccionado, la secadora se detendrá.

EXTRA DRY	Para telas muy resistentes o prendas que deben estar muy secas, como las toallas.
MORE DRY	Úselo para telas pesadas o de tipo mixto.
DRY	Úselo para un nivel de secado normal adecuado para la mayoría de las cargas. Este es el ciclo preferido para ahorrar energía.
LESS DRY	Úselo para telas más livianas (ideal para planchado).
DAMP	Para dejar las prendas parcialmente húmedas.

NOTA: Los niveles de secado por sensor sólo pueden seleccionarse en un ciclo de secado por sensor.

5 Dry Temp (temperatura de secado)

Usted puede cambiar la temperatura de su ciclo de secado.

ANTI-BACTERIAL Esta opción sólo puede usarse con los ciclos **COTTONS (algodones)** o **MIXED LOAD (carga mixta)**. Esta opción reduce de ciertos tipos de bacterias. El proceso antibacterial ocurre cuando se utiliza calor elevado durante una parte del ciclo de secado.

NOTA: No use este ciclo con telas delicadas.

HIGH Para algodones normales a pesados.

MEDIUM Para sintéticos, mezclas y prendas marcadas como planchado permanente.

LOW Para delicados, sintéticos y prendas marcadas como *Tumble Dry Low* (secado bajo en secadora).

EXTRA LOW Para lencería y telas delicadas.

6 START/PAUSE (inicio/pausa)

Presione para comenzar un ciclo de secado. Si la secadora está funcionando, presiónelo una vez y la secadora se detendrá. Presiónelo de nuevo para volver al ciclo de secado.

"CLEAN LINT FILTER" (limpiar filtro de pelusas) (mensaje)

Este mensaje se mantiene encendido hasta que se presione el botón **START** (iniciar).

Este mensaje es sólo un recordatori.

Sobre las opciones de ciclo

NOTA: No todas las características se encuentran disponibles en todos los modelos de secadora.

Instrucciones de seguridad

EXTEND TUMBLE



Extend Tumble (secado prolongado)

Minimiza las arrugas agregando aproximadamente 20 minutos de rotación constante sin calor seguido de 70 minutos de rotación intermitente sin calor después de que las prendas ya están secas. La secadora se encuentra en **EXTENDED TUMBLE** (secado prolongado) cuando la pantalla **ESTIMATED CYCLE TIME** (tiempo de ciclo estimado) se ilumina en un formato circular.

La luz del botón se encenderá cuando **EXTEND TUMBLE** esté accionado.

NOTA: Es normal que el tambor realice pausas durante períodos cortos de tiempo en **EXTEND TUMBLE**.

Instrucciones de funcionamiento

DAMP ALERT



Damp Alert (alerta de humedad)

Esta opción hace que la secadora emita un pitido cuando las prendas se han secado hasta un nivel húmedo. Retire las prendas que quiere colgar. **DAMP ALERT** sólo sonará cuando se selecciona esta opción (el ciclo de secado sigue funcionando).

Quitar algunas prendas y colgarlas cuando están húmedas puede reducir la necesidad de plancharlas.

La luz del botón se encenderá cuando **DAMP ALERT** esté funcionando.

NOTA: Sólo para selecciones de secado por sensor **DRY** (seco), **MORE DRY** (más seco) y **EXTRA DRY** (extra seco).

Consejos para la solución de problemas

DELAY START



Delay Start (inicio retardado)

Utilícelo para retardar el inicio de su secadora.

1. Elija un ciclo de secado y cualquier otra opción.
2. Presione el botón **DELAY START** (inicio retardado). Usted puede cambiar el tiempo de retardo en unidades de 1 hora (hasta 18 horas) cada vez que presiona el botón **DELAY START**. Deje de presionar el botón cuando vea el tiempo deseado.
3. Presione **START/PAUSE** (inicio/pausa) para iniciar la cuenta regresiva.

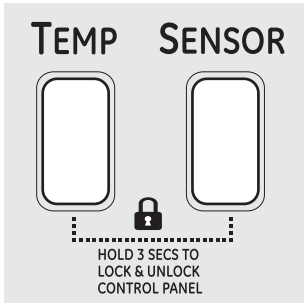
El tiempo restante podrá verse en la pantalla de **ESTIMATED TIME REMAINING** (tiempo restante estimado).

NOTAS:

- Si la puerta se abre mientras la secadora se encuentra en **DELAY** (retardo), el tiempo de cuenta regresiva continuará realizando la cuenta regresiva del tiempo de retardo. Si la puerta no se cierra y el tiempo de cuenta regresiva se termina, el ciclo no comenzará hasta que se cierre la puerta y se presione el botón **START/PAUSE** (inicio/pausa).
- Se puede retardar el inicio de un ciclo de secado hasta 18 horas.

La luz del botón se encenderá cuando **DELAY START** esté funcionando.

Soporte al consumidor



Lock (bloqueo)

Se pueden bloquear los controles para evitar que se hagan otras selecciones. O se pueden bloquear los controles después de iniciado un ciclo.

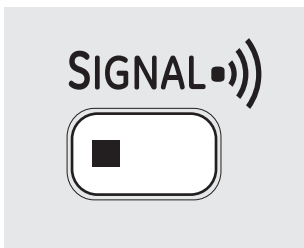
Cuando se selecciona esta opción, los niños no pueden encender la secadora accidentalmente presionando los botones.

Para bloquear la secadora, presione y sostenga los botones **TEMP** y **SENSOR** al mismo tiempo durante 3 segundos.

Para desbloquear los controles de la secadora, presione y sostenga los botones **TEMP** y **SENSOR** al mismo tiempo durante 3 segundos. Se escuchará un sonido que indica la condición de bloqueado/desbloqueado.

El ícono de bloqueo de control de la pantalla se prenderá cuando esté encendido.

NOTA: El botón **POWER** (encendido) puede utilizarse aún cuando la máquina esté bloqueada.



Signal (señal)

Cuando la luz está encendida, la secadora emitirá un pitido al final del ciclo y cada vez que se presione un botón del panel de control.

Para apagar la señal, presione el botón **SIGNAL** (señal) y la luz se apagará.

Cómo usar la secadora.

Siempre siga las instrucciones de la etiqueta del fabricante de la prenda cuando realice los lavados.

Consejos de clasificación y carga

Como regla general, si las prendas están bien clasificadas para la lavadora, estarán bien clasificadas para la secadora. También trate de clasificar las prendas de acuerdo al tamaño. Por ejemplo, no seque una sábana con medias u otros elementos pequeños.

No agregue suavizante de telas una vez que la carga se ha calentado. Esto puede provocar manchas de suavizante. El acondicionador de telas Bounce® en hojas para secadoras ha sido aprobado

para su uso en esta secadora cuando se utiliza de acuerdo con las instrucciones del fabricante.

Ver abajo para las instrucciones de limpieza del filtro de pelusas.

No la sobrecargue. Eso malgasta energía y provoca arrugas.

No seque los siguientes elementos:















Productos de fibra de vidrio, prendas de lana, productos revestidos en caucho, plásticos, productos con ribetes plásticos y rellenos con espuma.

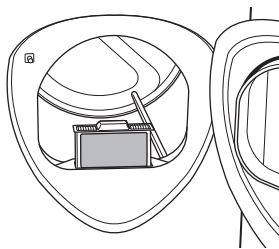
Etiquetas sobre cuidado de las telas

las etiquetas sobre cuidado de las telas que podrían afectar a las ropas que está lavando.

A continuación incluimos los "símbolos" de

Etiquetas de secado

<i>Secado en secadora</i>						
	Secado	Normal	Planchado permanente/ resistente a las arrugas	Suave/ delicado	No secar en secadora	No secar (utilizado con no lavar)
<i>Configuración de calor</i>						
	Alto	Medio	Bajo	Sin calor/aire		
<i>Instrucciones especiales</i>						
	Colgar para secar	Secado por goteo	Secar extendido	A la sombra		



Cuidado y limpieza de la secadora

Interior y conducto de la secadora: Un técnico calificado debe limpiar la parte interna del artefacto y el conducto de salida una vez por año.

Parte externa: Limpie los derrames o compuestos de limpieza con un paño húmedo. El panel de control y los acabados de la secadora pueden resultar dañados por productos removedores de manchas y suciedad utilizados como tratamiento previo al lavado. Aplique estos productos lejos de la secadora. La tela luego puede lavarse y secarse de manera normal. Los daños provocados a su secadora por estos productos no están cubiertos por la garantía.

No toque la superficie o la pantalla con objetos afilados.

El filtro de pelusas: Limpie el filtro de pelusas antes de cada uso. Quítelo tirando hacia arriba. Abra el filtro y pase los dedos por el filtro. Puede formarse una acumulación cerosa en el filtro de pelusas por utilizar suavizantes de telas para secadora en hojas. Para quitar esta

acumulación, lave el filtro de pelusas en agua tibia jabonosa. Seque bien y vuelva a colocar. No opere la secadora sin el filtro de pelusas en su lugar.

Pase la aspiradora al filtro de pelusas si nota un cambio en el desempeño de la secadora.

Acero inoxidable: Para limpiar superficies de acero inoxidable, utilice un paño húmedo con un limpiador suave y no abrasivo para superficies de acero inoxidable. Quite los restos de limpiador y luego seque con un paño limpio.

El acero inoxidable utilizado para fabricar el tambor de la secadora ofrece la mayor confiabilidad de una secadora GE. Si el tambor de la secadora se raya o abolla durante un uso normal, éste no se oxidará o corroerá. Estas imperfecciones de la superficie no afectan la función o durabilidad del tambor.

La campana de salida: Verifique con un espejo que las solapas internas de la campana se muevan libremente durante el funcionamiento. Verifique que no haya vida silvestre (pájaros, insectos, etc.) dentro del conducto o la campana.

Instrucciones de instalación

Secadora

DCVH480EK, DCVH485EK, PCVH480EK, PCVH485EK

Si tiene alguna pregunta, llame a 800.GE.CARES (800.432.2737) o visite nuestro sitio Web en: GEAppliances.com

Si planea apilar la lavadora y secadora, solicite el kit de apilado número GE24STACK para usar con esta secadora. El kit se vende por separado.

ANTES DE COMENZAR

Lea detenidamente todas las instrucciones.

- **IMPORTANTE** – Guarde estas instrucciones para uso del inspector local.
- **IMPORTANTE** – Cumpla todos los códigos y ordenanzas regulatorias.
- Instale la secadora de acuerdo con las instrucciones del fabricante y los códigos locales.
- **Nota al instalador** – Asegúrese de dejar estas instrucciones al usuario.
- **Nota al usuario** – guarde estas instrucciones para consultas futuras.
- La instalación de la secadora debe efectuarla un instalador calificado.
- Esta secadora **debe** tener una salida al exterior.
- Antes de que la secadora antigua sea retirada del servicio o eliminada, quítele la puerta.
- La información sobre reparaciones y el diagrama del cableado se encuentran en la consola de control.
- No permita que niños se suban o se metan dentro del artefacto. Se requiere una supervisión estricta cuando el artefacto es utilizado cerca de niños.
- La instalación adecuada es responsabilidad del instalador.
- La garantía no cubre fallas producidas por la instalación inadecuada del producto.
- Para reducir el riesgo de una lesión grave o de muerte, cumpla con todas las instrucciones de instalación.
- Instale la secadora en lugares donde la temperatura sea mayor a 50°F para un funcionamiento satisfactorio del sistema de control de la secadora.
- Quite y descarte el conducto existente de plástico o de papel de aluminio y coloque un conducto aprobado por UL.

PARA SU SEGURIDAD:

ADVERTENCIA:

Riesgo de incendio

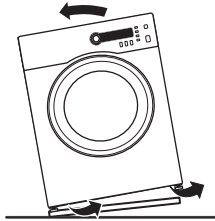
- Para reducir el riesgo de una lesión grave o de muerte, cumpla con todas las instrucciones de instalación.
- La instalación de la secadora de ropa debe efectuarla un instalador calificado.
- Instale la secadora de ropa de acuerdo con estas instrucciones y con los códigos locales.
- Esta secadora debe tener una salida al exterior.
- Utilice sólo un conducto de metal rígido de 4" para la salida al exterior de la secadora de ropa.
- NO instale una secadora de ropa con materiales de ventilación de plástico flexible. Si se instalan conductos de metal flexible (semi-rígido o tipo papel de aluminio), deben estar aprobados por UL e instalarse de acuerdo con las instrucciones incluidas en "Cómo conectar la secadora a la ventilación doméstica" de la página 90 de este manual. Los materiales de ventilación flexibles a menudo se desploman, se aplastan y atrapan pelusas. Estas condiciones obstruyen la corriente de aire de la secadora y aumentan el riesgo de incendio.
- No instale o almacene este aparato en un lugar donde se vea expuesto al agua y/o a las inclemencias del tiempo.
- El Código Nacional de Gas Combustible restringe las instalaciones de artefactos de gas en garajes. Deben estar a 18 pulgadas del piso y protegidos de los vehículos mediante una barrera.
- Guarde estas instrucciones. (Instalador: Asegúrese de dejar estas instrucciones al consumidor).

Instrucciones de instalación

CÓMO DESEMPACAR LA SECADORA

Incline la secadora de costado y saque los paños de espuma de embalaje tirando de los costados y quitándolos de las patas de la secadora. Asegúrese de quitar todas las piezas de espuma de las patas.

Saque la bolsa que contiene la información.



UBICACIÓN DE SU SECADORA

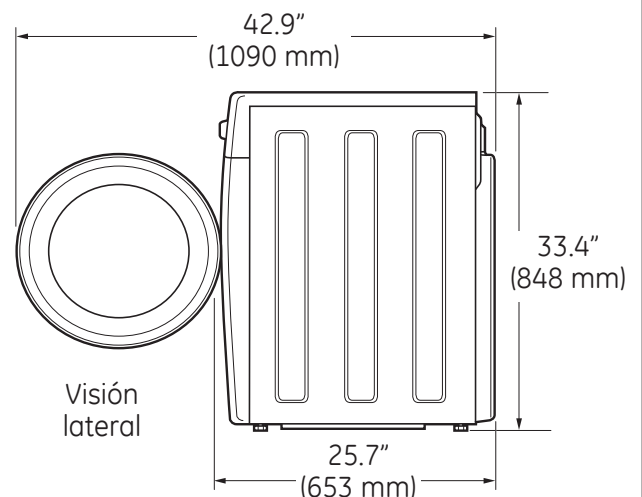
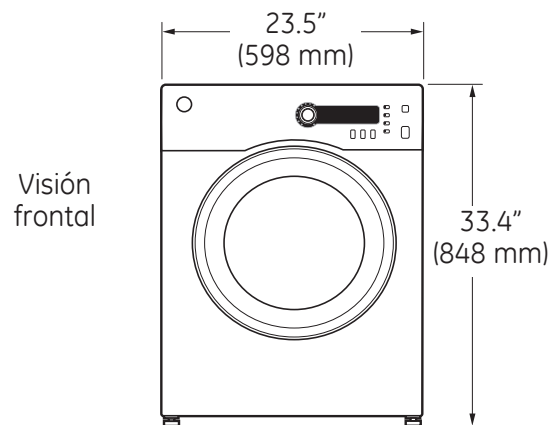
ESPACIO LIBRE MÍNIMO EN OTROS ESPACIOS QUE NO SEAN INSTALACIONES EN NICHOS O ARMARIOS

Los espacios libres mínimos respecto de superficies combustibles y de aberturas de aire son:

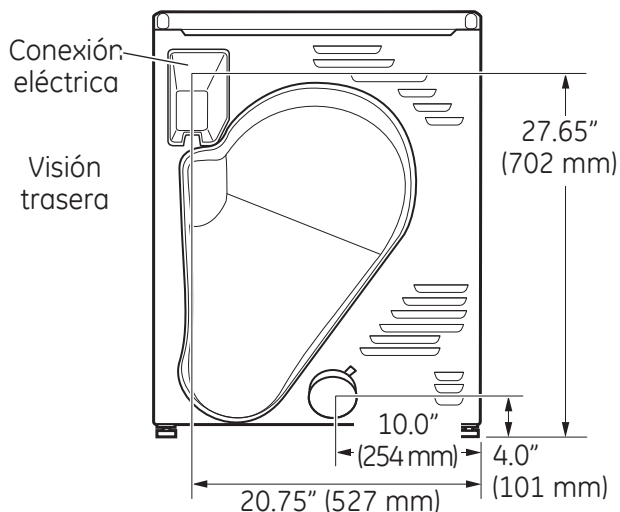
- Un espacio libre de 0 pulgadas sobre ambos lados
- 3 pulgadas hacia el frente y atrás

Debe tenerse en cuenta un espacio libre adecuado para un funcionamiento y reparación correctos.

DIMENSIONES DE LA SECADORA



CONEXIÓN ELÉCTRICA

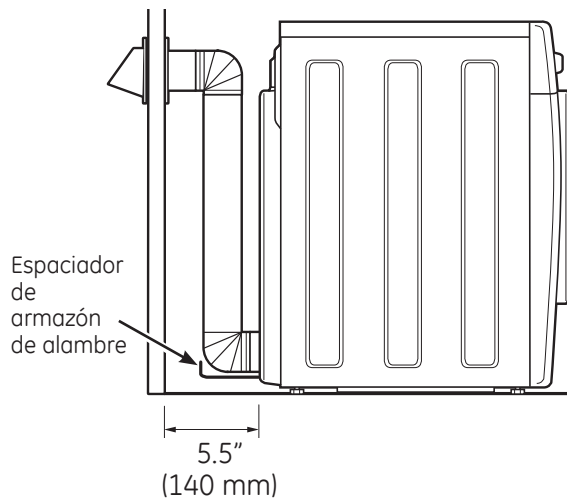


Instrucciones de instalación

REQUERIMIENTOS PARA INSTALACIÓN EN NICHOS O ARMARIOS

- Su secadora puede instalarse en un nicho o armario, como se indica en la etiqueta de la parte trasera del aparato.
- Esta secadora DEBE tener una ventilación al exterior. Ver la sección SALIDA AL EXTERIOR DE LA SECADORA.
- El espacio libre mínimo entre el armario de la secadora y las paredes adyacentes u otras superficies es:
 - 0" sobre ambos lados
 - 3" sobre el frente y la parte trasera
- El espacio vertical mínimo desde el piso a los estantes superiores, gabinetes, cielorrasos, etc., es de 52".
- Las puertas del armario deben contar con rejillas u otro tipo de ventilación y tener por lo menos 60 pulgadas cuadradas de espacio abierto igualmente distribuido. Si el armario incluye una lavadora y una secadora, las puertas deben contener un mínimo de 120 pulgadas cuadradas de espacio abierto distribuido uniformemente.

NOTA: CUANDO EL CONDUCTO DE SALIDA ESTÁ UBICADO EN LA PARTE TRASERA DE LA SECADORA, EL ESPACIO LIBRE MÍNIMO DESDE LA PARED DEBE SER 5.5 PULGADAS.



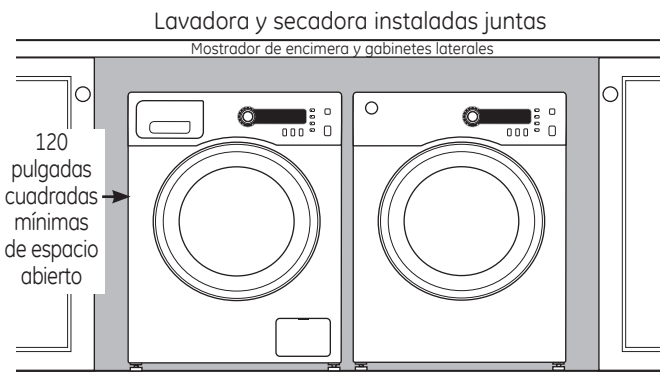
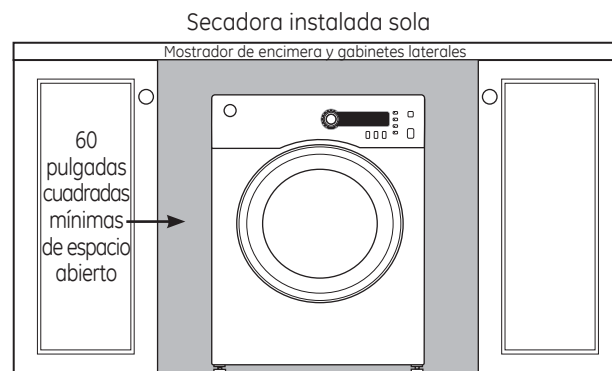
INSTALACIÓN EN BAÑOS O DORMITORIOS

- Esta secadora DEBE tener una ventilación al exterior. Ver SALIDA AL EXTERIOR DE LA SECADORA.
- La instalación debe cumplir con los códigos locales o, si no los hubiera, con el CÓDIGO NACIONAL ELÉCTRICO, ANSI/NFPA NC. 70 (para secadoras eléctricas) o el CÓDIGO NACIONAL DE GAS, ANSI Z223 (para secadoras a gas).

INSTALACIÓN BAJO EL MOSTRADOR DE ENCIMERA

Si desea una instalación bajo mostrador de encimera:

- No se necesita un kit especial de instalación de secadoras.
- Si la secadora se instala sola, se necesita un mínimo de 60 pulgadas cuadradas de espacio abierto. Si la lavadora y la secadora se instalan juntas, se necesita un mínimo de 120 pulgadas cuadradas de espacio abierto.







INSTALACIÓN EN CASAS MÓVILES O PREFABRICADAS

- La instalación debe cumplir con la NORMA SOBRE CONSTRUCCIÓN Y SEGURIDAD DE CASAS PREFABRICADAS, TÍTULO 24, PARTE 32-80 o, cuando dicha norma no sea aplicable, con la NORMA NACIONAL ESTADOUNIDENSE PARA CASAS MÓVILES, N° 501B.
- La secadora DEBE tener ventilación al exterior con la terminación bien sujeta a la estructura de la casa móvil. (Ver SALIDA AL EXTERIOR DE LA SECADORA).
- La ventilación NO DEBE terminar debajo de una casa móvil o prefabricada.
- El material del conducto de ventilación DEBE SER METAL.
- No utilice tornillos para placas de metal u otros dispositivos de sujeción que se extiendan al interior de la ventilación de salida.
- Debe contar con una abertura con un espacio libre de por lo menos 25 pulgadas cuadradas para el ingreso de aire exterior dentro del cuarto de la secadora.

Instrucciones de instalación

CÓMO CONECTAR UNA SECADORA ELÉCTRICA

HERRAMIENTAS NECESARIAS

-  Pinzas
-  Destornillador Phillips
-  Destornillador de lados planos
-  Nivel

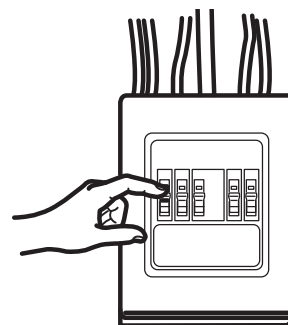
MATERIALES NECESARIOS

-  Codo de metal de 4" de diámetro
-  Guantes
-  Abrazaderas de tubería de 4" (2) o abrazaderas de resorte de 4" (2)
-  Campana de salida
-  Gafas de seguridad
-  Cinta aislante
-  Conducto de metal de 4" de diámetro (recomendado)
-  Kit de cable de energía de la secadora de 6' de largo (no incluido con la secadora)
Clasificado UL, de 120/240V, 30A con 3 o 4 patas. Identifique el tipo de enchufe según el tomacorriente de la vivienda antes de comprar el cable. (Se incluye e instala un cable de 4 espigas en los modelos canadienses PCVH480 y PCVH485.) Si realiza la instalación sobre una base apilable podrá necesitar un cable de hasta 6 pies de longitud.
-  Conducto de metal flexible de 4" de diámetro aprobado por UL (si fuese necesario)

PARA SU SEGURIDAD:

⚠ ADVERTENCIA:

Antes de efectuar la conexión eléctrica, desactive los disyuntores o quite los fusibles del circuito de la secadora de la caja eléctrica. Verifique que el cable de la secadora esté desenchufado del tomacorriente. **NUNCA OLVIDE DE VOLVER A COLOCAR LA TAPA DE ACCESO DEL BLOQUE TERMINAL.**



INFORMACIÓN SOBRE CONEXIÓN ELÉCTRICA DE LAS SECADORAS ELÉCTRICAS

⚠ ADVERTENCIA: Para reducir el riesgo de incendio, descarga eléctrica y lesiones personales:

- No utilice un cable de extensión o un enchufe adaptador con este artefacto.
- La secadora debe contar con una conexión eléctrica a tierra en cumplimiento con los códigos y ordenanzas locales, o si éstos no existieran, de acuerdo con el CÓDIGO ELÉCTRICO NACIONAL, ANSI/NFPA N°. 70.

Instrucciones de instalación

REQUERIMIENTOS ELÉCTRICOS PARA SECADORAS ELÉCTRICAS

Esta secadora debe conectarse a un circuito derivado individual, con la protección de un disyuntor o fusible de tiempo retardado. Se requiere un circuito de tres o cuatro cables, fase única, 120/240V ó 120/208V, 60Hz y 30 amperios. Si el suministro eléctrico no cumple con dichas especificaciones, entonces llame a un electricista matriculado.

NOTA: Para los consumidores canadienses con modelos PCVH480 y PCVH485, no se requiere la instalación del cable. Tenga a bien pasar a la sección siguiente, *Salida al exterior de la secadora*.

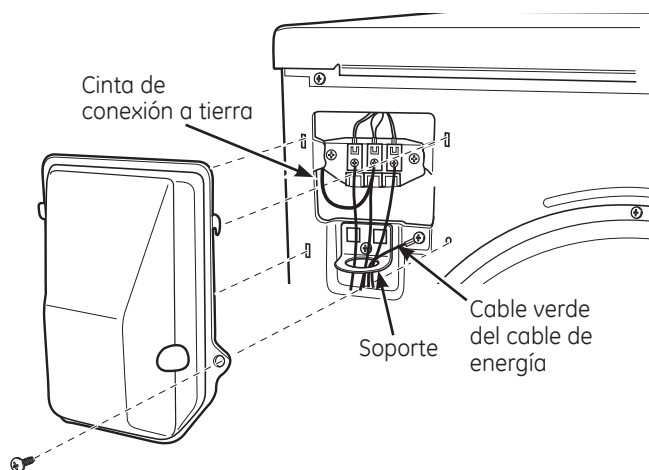
INSTRUCCIONES DE CONEXIÓN A TIERRA

Esta secadora debe conectarse a un sistema de cableado permanente con conexión a tierra o debe utilizarse un conductor de conexión a tierra del equipamiento con los conductores de circuito y conectarse a la terminal de conexión a tierra del artefacto.

CÓMO CONECTAR LA SECADORA USANDO UNA CONEXIÓN DE 4 CABLES (DEBE UTILIZARSE EN INSTALACIONES DE CASAS RODANTES)

NOTA: Desde el 1 de enero de 1996, el Código Eléctrico Nacional exige que las nuevas construcciones utilicen una conexión de 4 cables a una secadora eléctrica. También debe usarse un cable de 4 alambres cuando los códigos locales no permiten una conexión a tierra a través de cable neutral.

NO debe usarse una conexión de tres cables en una construcción nueva.



CÓMO CONECTAR LA SECADORA USANDO UNA CONEXIÓN DE 4 CABLES (DEBE UTILIZARSE EN INSTALACIONES DE CASAS RODANTES) (cont.)

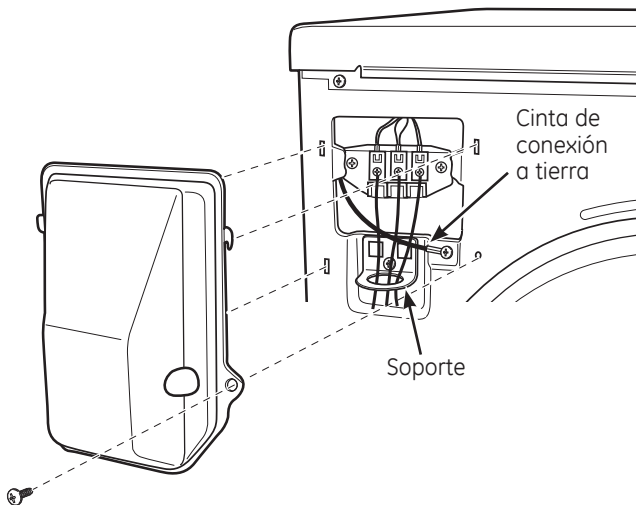
1. Desactive el disyuntor (30 amperios) o quite el fusible del circuito de la secadora de la caja eléctrica.
2. Verifique que el cable de la secadora esté desenchufado del tomacorriente.
3. Quite la tapa del cable de energía ubicada en la parte trasera superior.
4. Quite el tornillo verde con conexión a tierra y sujete la cinta a tierra a la terminal central junto a la línea neutral (blanca) descrita abajo. Conserve el tornillo verde con conexión a tierra para el Paso 7.
5. Pase el cable de energía a través del soporte.
6. Conecte el cable de energía de la siguiente manera:
 - A. Conecte los dos cables vivos a los tornillos externos del bloque terminal (marcado L1 y L2).
 - B. Conecte el cable neutral (blanco) al centro del bloque terminal (marcado N).
7. Conecte el cable a tierra del cable de energía con el tornillo verde de conexión a tierra (orificio sobre el soporte de alivio de tensión). Ajuste por completo todos los tornillos (3) del bloque terminal.
8. Vuelva a instalar la tapa.

⚠ ADVERTENCIA:

NUNCA OLVIDE DE VOLVER A COLOCAR LA TAPA DEL BLOQUE TERMINAL.

CÓMO CONECTAR UNA SECADORA ELÉCTRICA (cont.)

CÓMO CONECTAR LA SECADORA UTILIZANDO UNA CONEXIÓN DE 3 CABLES



1. Desactive el disyuntor (30 amperios) o quite el fusible del circuito de la secadora de la caja eléctrica.
2. Verifique que el cable de la secadora esté desenchufado del tomacorriente.
3. Quite la tapa del cable de energía ubicada en la parte trasera superior.
4. Pase el cable de energía a través del soporte.
5. Conecte el cable de energía de la siguiente manera:
 - A. Conecte los dos cables vivos a los tornillos externos del bloque terminal (marcado L1 y L2).
 - B. Conecte el cable neutral (blanco) al centro del bloque terminal (marcado N).
6. Asegúrese de que la cinta de conexión a tierra esté conectada al tornillo verde de conexión a tierra de la parte trasera del gabinete. Ajuste por completo todos los tornillos (3) del bloque terminal.
7. Vuelva a instalar la tapa.

⚠ ADVERTENCIA:

NUNCA OLVIDE DE VOLVER A COLOCAR LA TAPA DEL BLOQUE TERMINAL.

Instrucciones de instalación

SALIDA AL EXTERIOR DE LA SECADORA

⚠ ADVERTENCIA: Para reducir el riesgo de incendio o lesiones personales:

- Esta secadora de ropa debe contar con una salida al exterior.
- Utilice sólo un conducto de metal rígido de 4" para el conducto de salida doméstico.
- Utilice sólo un conducto de metal rígido de 4" o de metal flexible aprobado por UL (semi-rígido o tipo papel de aluminio) para conectar la secadora al conducto de salida doméstico. Debe instalarse de acuerdo con las instrucciones incluidas en "Cómo conectar la secadora a la ventilación doméstica" de la página 90 de este manual.
- No instale la boca de salida dentro de una chimenea, pared, cielorraso, ventilación de gas, espacio entre pisos, ático, bajo un piso con cerramiento o en cualquier otro espacio oculto de un edificio.
- Nunca instale la boca de salida dentro de un conducto común con el sistema de salida de la cocina. La combinación de grasa y pelusas podría provocar un riesgo de incendio.
- No utilice un conducto de una longitud mayor a la especificada en la tabla de longitud de salida. Los conductos más largos acumulan pelusa, lo que genera un riesgo potencial de incendio.
- Nunca instale un filtro dentro o sobre el conducto de salida. Esto provocará la acumulación de pelusas, lo que genera un riesgo potencial de incendio.
- No arme la red de conductos con sujeciones que se extiendan dentro del conducto. Estas sujeciones pueden acumular pelusa, lo que genera un riesgo potencial de incendio.
- No obstruya el aire que entra y sale.
- Incluya un acceso para inspección y limpieza del sistema de salida, especialmente en las curvas y juntas. El sistema de salida debe inspeccionarse y limpiarse por lo menos una vez al año.
- Esta secadora viene lista para una boca de salida por la parte trasera. Si el espacio es limitado, utilice las instrucciones de las páginas 93-95 para poder instalar la salida desde los lados o la parte inferior del gabinete.

HERRAMIENTAS Y MATERIALES NECESARIOS PARA INSTALAR UN CONDUCTO DE SALIDA



Destornillador Phillips



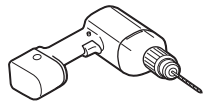
Cinta aislante o abrazaderas de tubería



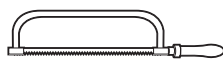
Conducto de metal de 4" (10,2 cm) flexible o rígido listado UL



Campana de ventilación



Perfore con una broca de 1/8" (para ventilación inferior)



Sierra para metales

LISTA DE CONTROL DEL SISTEMA DE SALIDA

CAMPANA O CUBIERTA DE PARED

- Instale la salida de modo de evitar contracorrientes o el ingreso de pájaros u otros insectos o animales.
- La boca de salida debe presentar una resistencia mínima al flujo de salida y debe requerir poco mantenimiento para evitar las obstrucciones.
- Nunca instale un filtro dentro o sobre el conducto de salida.
- Las cubiertas de pared deben instalarse por lo menos a 12" sobre el nivel del suelo o cualquier otra obstrucción con la abertura apuntando hacia abajo.

SEPARACIÓN DE CURVAS

- Para un mejor desempeño, separe todas las curvas con 4 pies de conducto recto como mínimo, incluyendo la distancia entre la última curva y la cubierta de pared con regulador de tiro. Para curvas ubicadas a una distancia menor de 4 pies, ver la Tabla de equivalencia de componentes de conductos.

SELLADO DE JUNTAS

- Todas las juntas deben estar bien selladas para evitar pérdidas. El extremo macho de cada sección de conducto debe apuntar en dirección opuesta de la secadora.
- No arme la red de conductos con sujeciones que se extiendan dentro del conducto. Funcionarán como un punto de acumulación de pelusas.
- Las juntas de los conductos deben ser herméticas al aire y a la humedad mediante la superposición de juntas con cinta aislante o cinta de aluminio.
- Los tramos horizontales deben tener una inclinación hacia el exterior de 1/4" por pie.

AISLACIÓN

- Los conductos instalados a través de una área sin calefacción o ubicados cerca de un acondicionador de aire deben aislarse para reducir la condensación y la acumulación de pelusas.

Instrucciones de instalación

SALIDA AL EXTERIOR DE LA SECADORA (cont.)

CÓMO CONECTAR LA SECADORA A LA VENTILACIÓN DOMÉSTICA

CONDUCTO DE TRANSICIÓN DE METAL RÍGIDO

- Para un mejor desempeño de secado, se recomienda un conducto de transición de metal rígido.
- Los conductos de transición de metal rígido reducen el riesgo de aplastamientos y torceduras.

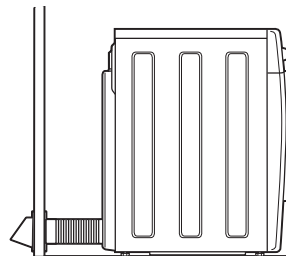
CONDUCTO DE TRANSICIÓN DE METAL FLEXIBLE (SEMI-RÍGIDO) APROBADO POR UL

- Si no puede utilizarse un conducto de metal rígido, entonces puede usarse un conducto de metal flexible (semi-rígido) aprobado por UL (Kit WX08X10077).
- Nunca instale conductos de metal flexible en paredes, cielorrasos, pisos u otros espacios ocultos.
- La longitud total del conducto de metal flexible no deberá superar los 8 pies (2.4 m).
- Para muchas aplicaciones, se recomienda enfáticamente la instalación de codos en la secadora y en la pared (ver ilustraciones en derecho). Los codos permiten que la secadora se ubique cerca de la pared sin torcer o aplastar el conducto de transición, lo que potencia al máximo el desempeño de secado.
- No coloque el conducto sobre objetos afilados.

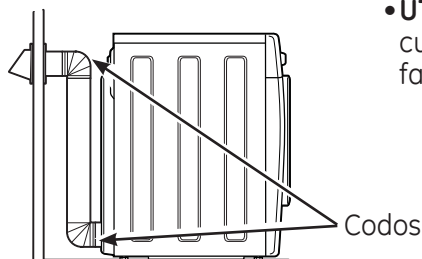
CONDUCTO DE TRANSICIÓN DE METAL FLEXIBLE (TIPO PAPEL DE ALUMINIO) APROBADO POR UL

- En instalaciones especiales, puede ser necesario conectar la secadora a la ventilación doméstica utilizando un conducto de metal flexible (tipo papel de aluminio). Puede utilizarse un conducto de metal flexible (tipo papel de aluminio) aprobado por UL SÓLO en instalaciones en las que no pueden usarse conductos de metal rígido o flexible (semi-rígidos) Y en las que puede mantenerse un diámetro de 4" a lo largo de todo el conducto de transición.
- En Canadá y los Estados Unidos, solamente deberán utilizarse los conductos de metal flexible (tipo papel de aluminio) que cumplan con el "Resumen para conductos de transición para secadoras de ropa, Tema 2158A".
- Nunca instale conductos de metal flexible en paredes, cielorrasos, pisos u otros espacios ocultos.
- La longitud total del conducto de metal flexible no deberá superar los 8 pies (2.4 m).
- No coloque el conducto sobre objetos afilados.
- Para un mejor desempeño de secado:
 1. Deslice un extremo del conducto sobre la tubería de salida de la secadora de ropa.
 2. Fije el conducto con una abrazadera.
 3. Con la secadora en su posición permanente, extienda el conducto en su longitud total. Deje que se superpongan 2" de conducto con la tubería de salida. Corte y quite el tramo de conducto que sobre. Mantenga el conducto lo más recto posible para lograr una corriente de aire máxima.
 4. Fije el conducto a la tubería de salida con la otra abrazadera.

PARA VENTILACIÓN DE TRANSICIÓN (SECADORA A PARED), HAGA LO SIGUIENTE:

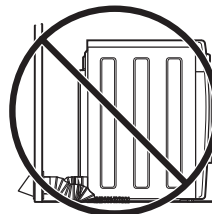


- **CORTE** el conducto lo más corto posible e instálelo derecho en la pared.

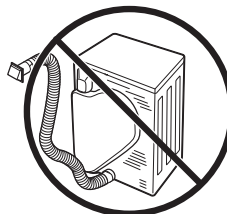


- **UTILICE** codos cuando hagan falta curvas.

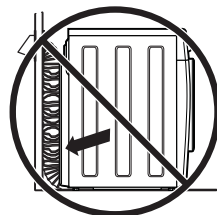
NO HAGA LO SIGUIENTE:



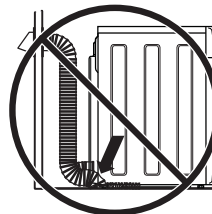
- **NO** doble o pliegue los conductos. Utilice codos si algunos codos resultan necesarios.



- **NO** utilice una longitud de salida excesiva. Corte los conductos con la longitud más corta posible.



- **NO** aplaste el conducto contra la pared.



- **NO** coloque la secadora en el conducto.

Instrucciones de instalación

⚠️ ADVERTENCIA

UTILICE SÓLO CONDUCTOS DE METAL DE UN DIÁMETRO DE 4" (102 mm EN CANADÁ). NO UTILICE UN CONDUCTO DE UNA LONGITUD MAYOR A LA ESPECIFICADA EN LA TABLA DE LONGITUD DE SALIDA.

Información sobre salida de la secadora: Sólo conducto de metal

Materiales de los conductos: Para lograr un mejor desempeño, esta secadora debe contar con un conducto de ventilación de metal rígido de un diámetro de 4".

Cálculo de longitud de la salida de ventilación:

1. Establezca la cantidad de giros de 90° necesarios para su instalación.
2. La longitud máxima de un conducto rígido de 4' (aluminio o galvanizado) que puede tolerarse se indica en la tabla.

Un giro de 45° o menos puede ignorarse. Dos giros de 45° dentro de la longitud del conducto deben tratarse como un codo de 90°.

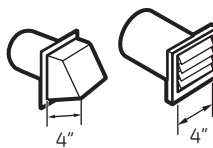

Un giro de más de 45° debe tratarse como un codo de 90°.

⚠️ PRECAUCIÓN: Para seguridad personal, no instale la boca de salida dentro de una chimenea, bajo un piso con cerramiento (espacio entre pisos) o dentro de un ático, ya que las pelusas acumuladas pueden generar un riesgo de incendio o la humedad podría provocar daños. Nunca instale la boca de salida dentro de un conducto o cámara común con una salida de cocina, ya que la combinación de pelusas y grasa podría provocar un riesgo de incendio.

Los conductos de salida deben finalizar en una cubierta de pared con regulador de tiro para evitar contracorrientes de aire, la presencia de nidos de aves, etc. La cubierta de pared también debe ubicarse por lo menos a 12" sobre el suelo o cualquier otra clase de obstrucción con la abertura apuntando hacia abajo.

Otras terminaciones, como cajas de pared con rejillas, resultan aceptables siempre que sean equivalentes a una cubierta de pared con regulador de tiro con una abertura de 4".

Para más información sobre kits y accesorios de ventilación, llame al 1.800.GE.CARES.

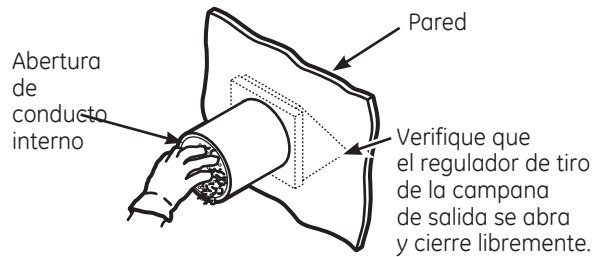
		Mejor desempeño	
		Longitud máxima de un conducto rígido de metal de 4" de diámetro	
		Tipo campana de salida	
		 A Abertura de 4"	 B Abertura de 2-1/2"
Secadoras de carga frontal	Cantidad de giros de 90°		
	0	90 pies	60 pies
	1	60 pies	45 pies
	2	45 pies	35 pies
	3	35 pies	25 pies

Instrucciones de instalación

SALIDA AL EXTERIOR DE LA SECADORA (cont.)

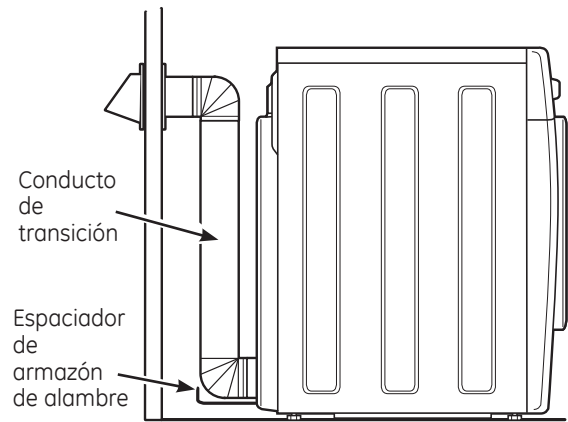
ANTES DE COMENZAR

- Quite y descarte el conducto existente de plástico o de papel de aluminio y coloque un conducto aprobado por UL.
- Quite las pelusas de la abertura de salida de la pared.



CONFIGURACIÓN RECOMENDADA PARA MINIMIZAR LAS OBSTRUCCIONES DE LA SALIDA

El uso de codos evitará que los conductos se tuerzan y caigan.

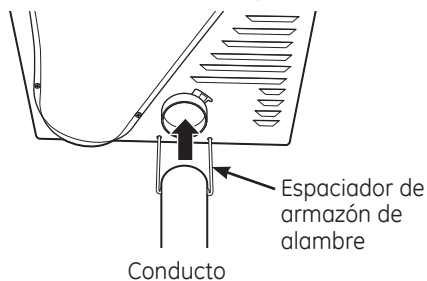


SALIDA TRASERA ESTÁNDAR

Recomendamos instalar la secadora antes que la lavadora. Esto permitirá un acceso directo para poder efectuar la conexión de salida.

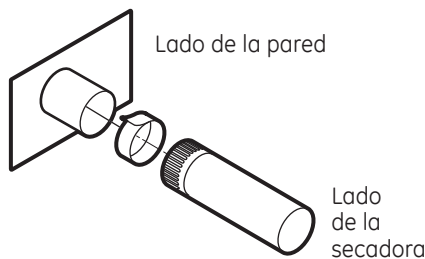
Quite el espaciador de alambre y gírelo hacia arriba hasta alcanzar su extensión total. Coloque el espaciador de alambre extendido sobre el piso. Esto evitará que la secadora se acerque demasiado a una pared u objeto, lo que provocaría que el conducto se afloje y salga de la secadora.

Deslice el extremo del conducto de salida hacia la parte trasera de la secadora y sujete con cinta aislante o una abrazadera de mangueras.



NOTA: Recomendamos el uso de un conducto de salida rígido de metal.

- Para una instalación en línea recta, conecte la salida de la secadora a la pared con cinta aislante.



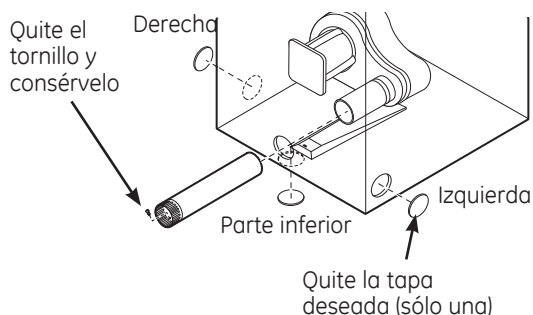
Instrucciones de instalación

VENTILACIÓN LATERAL:

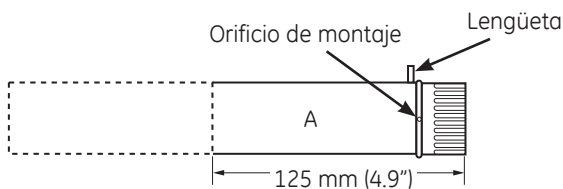
Salida de la secadora en el costado de un gabinete

⚠ ADVERTENCIA:

ANTES DE EFECTUAR ESTA INSTALACIÓN DE SALIDA, ASEGÚRESE DE DESCONECTAR LA SECADORA DEL SUMINISTRO ELÉCTRICO. PROTEJA SUS MANOS Y BRAZOS DE LOS LADOS AFILADOS CUANDO TRABAJE DENTRO DEL GABINETE. ASEGÚRESE DE USAR GUANTES.

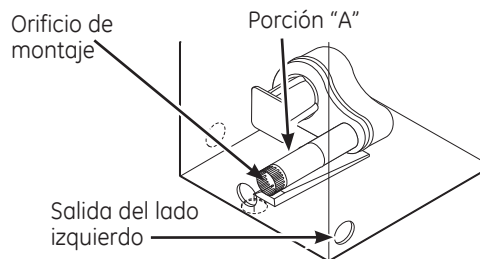


Despegue y quite la tapa inferior, derecha o izquierda, según corresponda. Quite el tornillo de la parte trasera de la caja y consérvelo. Saque el conducto de la secadora.



Corte el conducto como puede verse y conserve la porción A.

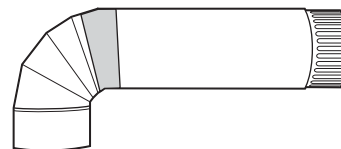
CÓMO AGREGAR UN CONDUCTO NUEVO



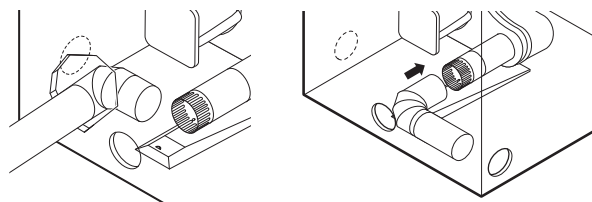
Vuelva a conectar la porción cortada (A) del conducto a la carcasa del ventilador. Verifique que los orificios de los tornillos del conducto y la base de la rampa estén alineados. Utilice el tornillo conservado con anterioridad para sujetar el conducto en su lugar a través de la rampa de la base del aparato.

CÓMO AGREGAR CODOS Y CONDUCTOS DE SALIDA HACIA LA IZQUIERDA O DERECHA DEL GABINETE

- Selle con cinta la conexión entre el conducto y el codo.



- Introduzca el conducto con el codo a través de la abertura trasera y conéctelo al conducto interno.



⚠ PRECAUCIÓN: Asegúrese de no tirar o dañar los cables eléctricos ubicados dentro de la secadora cuando introduzca el conducto. Una leve interferencia puede ocurrir entre la salida y los componentes de cables.

- Aplique cinta aislante como puede verse en la junta entre el conducto interno de la secadora y el codo, y también en la junta entre el codo y el conducto lateral.



⚠ PRECAUCIÓN:

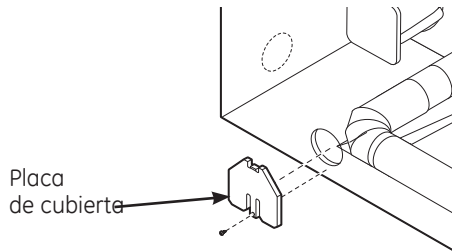
Las juntas del conducto interno deben sujetarse con cinta; caso contrario, pueden separarse y provocar un riesgo de seguridad.

Instrucciones de instalación

SALIDA AL EXTERIOR DE LA SECADORA (cont.)

VENTILACIÓN LATERAL: (cont.)

CÓMO AGREGAR LA PLACA DE CUBIERTA A LA PARTE TRASERA DEL GABINETE (SALIDA LATERAL)



Conecte los codos y conductos de metal estándar para completar el sistema de salida. Cubra la abertura trasera con la placa de cubierta (Placa de cubierta - WE1M454), disponible en su proveedor de servicios local. Coloque la secadora en su ubicación final.

⚠ ADVERTENCIA:

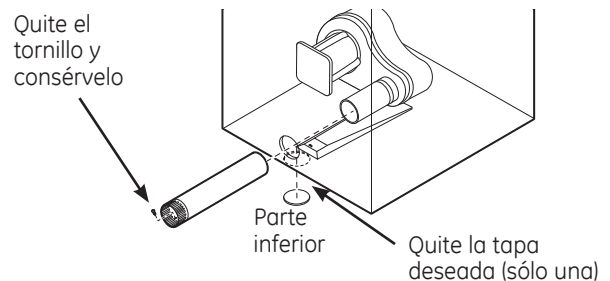
NUNCA DEJE LA ABERTURA TRASERA SIN LA PLACA EN SU LUGAR. CUBRA LA ABERTURA TRASERA CON LA PLACA DE CUBIERTA (PLACA DE CUBIERTA - WE1M454), DISPONIBLE EN SU PROVEEDOR DE SERVICIOS LOCAL.

VENTILACIÓN POR LA PARTE INFERIOR:

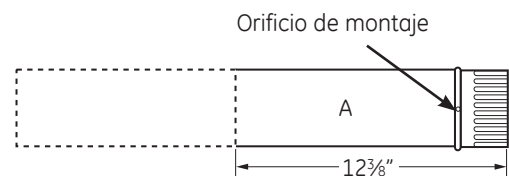
La secadora cuenta con una salida por la parte inferior del gabinete

⚠ ADVERTENCIA:

ANTES DE EFECTUAR ESTA INSTALACIÓN DE SALIDA, ASEGÚRESE DE DESCONECTAR LA SECADORA DEL SUMINISTRO ELÉCTRICO. PROTEJA SUS MANOS Y BRAZOS DE LOS LADOS AFILADOS CUANDO TRABAJE DENTRO DEL GABINETE. ASEGÚRESE DE USAR GUANTES.



Quite el tornillo ubicado dentro del conducto de salida de la secadora y consérvelo. Saque el conducto de la secadora. Desconecte y quite la tapa inferior.

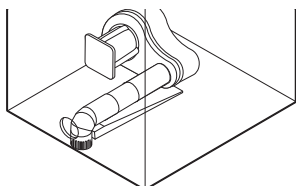
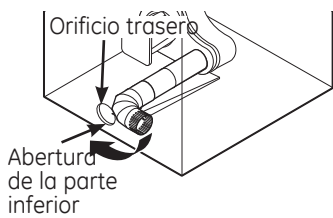
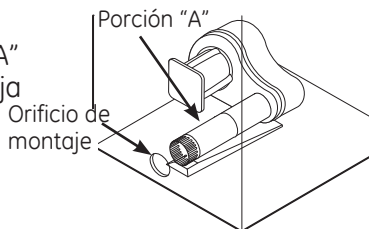


Corte el conducto como puede verse y conserve la porción A.

Instrucciones de instalación

CÓMO AGREGAR UN CONDUCTO NUEVO

- Vuelva a conectar la porción cortada "A" del conducto a la caja del ventilador.
- Sujete el codo con cinta en una posición de 90 grados para evitar la rotación.
- Introduzca el codo a través del orificio trasero y conéctelo a la porción "A". Gire el codo a través de la abertura inferior.

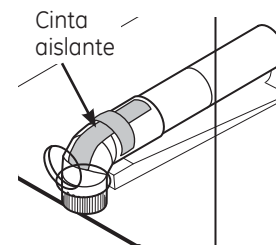


⚠ PRECAUCIÓN: Asegúrese de no tirar o dañar los cables eléctricos ubicados dentro de la secadora cuando introduzca el conducto.

- Mientras todavía sostiene la tubería y codo de la abertura trasera, atornille las tuberías en su lugar con el tornillo conservado con anterioridad.

VENTILACIÓN POR LA PARTE INFERIOR (cont.)

- Aplique cinta aislante como puede verse en la junta entre el conducto interno de la secadora y el codo.

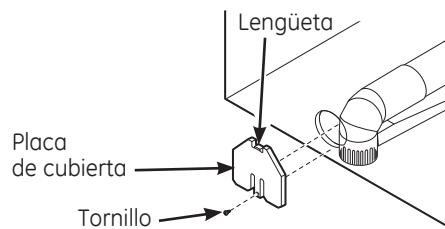


NOTA: Asegúrese de que la cinta cubra el orificio del tornillo de la porción A donde se conecta con el codo.

⚠ PRECAUCIÓN: Las juntas del conducto interno deben sujetarse con cinta; caso contrario, pueden separarse y provocar un riesgo de seguridad.

La secadora cuenta con una salida por la parte inferior del gabinete en modelos a gas y eléctricos.

CÓMO AGREGAR LA PLACA DE CUBIERTA A LA PARTE TRASERA DEL GABINETE (SALIDA POR LA PARTE INFERIOR)



Conecte los codos y conductos de metal estándar para completar el sistema de salida. Cubra la abertura trasera con la placa de cubierta (Placa de cubierta - WE1M454), disponible en su proveedor de servicios local.

Introduzca la lengüeta de la parte superior de la placa de cubierta dentro de la abertura. Ajuste el tornillo de la parte inferior de la placa de cubierta.

Coloque la secadora en su ubicación final.

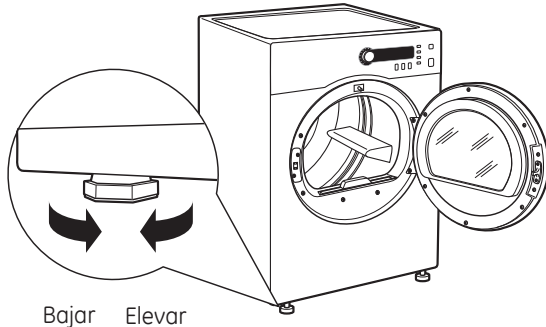
⚠ ADVERTENCIA:

NUNCA DEJE LA ABERTURA TRASERA SIN LA PLACA EN SU LUGAR. CUBRA LA ABERTURA TRASERA CON LA PLACA DE CUBIERTA (PLACA DE CUBIERTA - WE1M454), DISPONIBLE EN SU PROVEEDOR DE SERVICIOS LOCAL.

CONFIGURACIÓN FINAL

1 NIVELA LA SECADORA

Coloque la secadora en posición vertical cerca de la ubicación definitiva y ajuste las cuatro patas niveladoras para garantizar que la secadora se encuentre nivelada de lado a lado y del frente a la parte trasera.



4 INICIO DE LA SECADORA

Presione el botón **POWER** (encendido).



NOTA: Si la secadora ha sido expuesta a temperaturas bajo cero por un período prolongado, deje que suba la temperatura antes de presionar **POWER**. De otra manera, la pantalla no se encenderá.

Su secadora ya está lista para usar.

2 ENCHUFE LA SECADORA

NOTA: Si realiza la instalación sobre una base apilable podrá necesitar un cable de hasta 6 pies de longitud.



Verifique que haya una conexión a tierra adecuada antes del uso.

REPARACIÓN

⚠ ADVERTENCIA:

Etiquete todos los cables antes de la desconexión cuando haga reparaciones de los controles. Los errores de cableado pueden provocar un funcionamiento inadecuado y peligroso después de la reparación/instalación.

Para piezas de repuesto y otra información, diríjase a la página 151 para obtener números telefónicos de servicio.

3 INSTRUCCIONES DE CONEXIÓN A TIERRA

Este electrodoméstico se debe conectar a tierra. En caso de mal funcionamiento o avería, la conexión a tierra reducirá el riesgo de descarga eléctrica, al brindar un camino de menor resistencia para la corriente eléctrica. El electrodoméstico se encuentra equipado con un cable que posee un equipo de conducción a tierra y un enchufe de conexión a tierra. El enchufe se debe colocar en un tomacorriente instalado de forma adecuada y se deberá conectar a tierra de acuerdo con todos los códigos y ordenanzas locales.

Instrucciones de instalación

CÓMO INVERTIR LA APERTURA DE LA PUERTA (si así se desea)

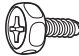
NOTAS IMPORTANTES

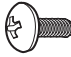
- Lea todas las instrucciones antes de comenzar.
- Manipule las piezas con cuidado para no rayar la pintura.
- Coloque las puertas sobre una superficie de trabajo que no raye.
- Separe los tornillos por sus piezas relacionadas para evitar usarlos en lugares equivocados.
- Todos los tornillos deben ajustarse a mano.
- El tiempo normal utilizado para invertir la apertura de la puerta es de 20–30 minutos.

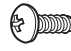
IMPORTANTE: Una vez que haya comenzado, no mueva el gabinete hasta haber finalizado la inversión de la apertura de la puerta.

Estas instrucciones son para cambiar las bisagras del lado derecho al lado izquierdo; si alguna vez desea cambiarlas de nuevo al lado derecho, siga las mismas instrucciones e invierta todas las referencias de izquierda a derecha.

PIEZAS UTILIZADAS

Tornillo de montaje 

Tornillos de sujeción del soporte de la bisagra 

Tornillos para puerta y trabas 

HERRAMIENTAS NECESARIAS

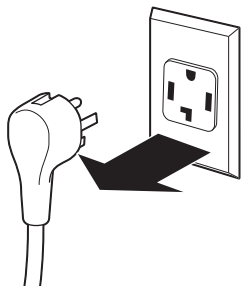
Destornillador de estrella 

Instrucciones de instalación

CÓMO INVERTIR LA APERTURA DE LA PUERTA (si así se desea)

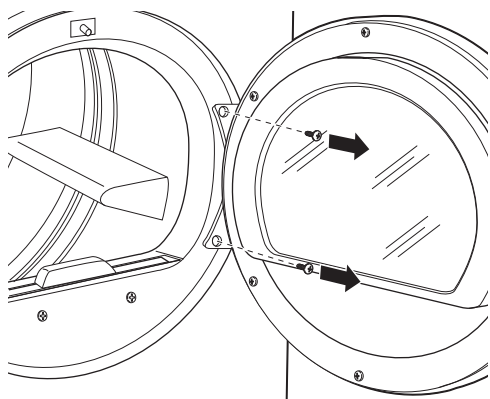
ANTES DE COMENZAR

Desenchufe la secadora del tomacorriente.

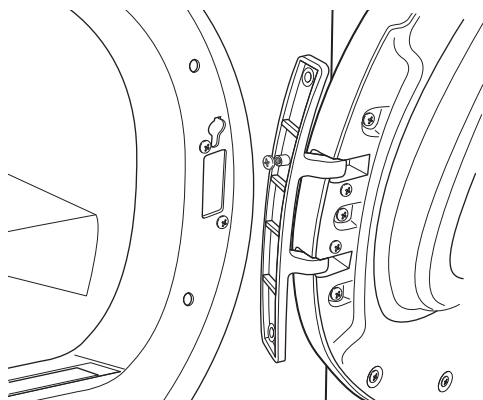


1 QUITE EL MONTAJE DE LA PUERTA

Quite los tornillos de sujeción del soporte de la bisagra.

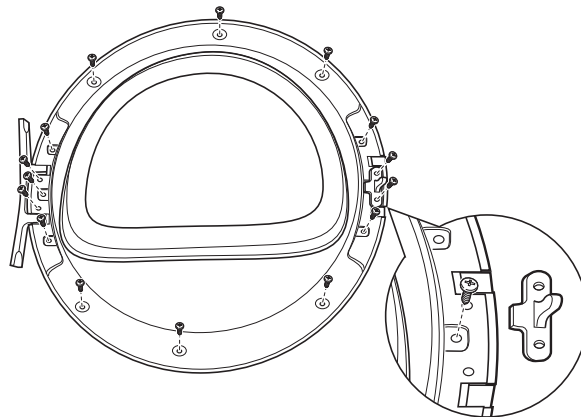


Deslice la puerta y el montaje de bisagra hacia arriba; luego quite el montaje del panel frontal de la secadora.

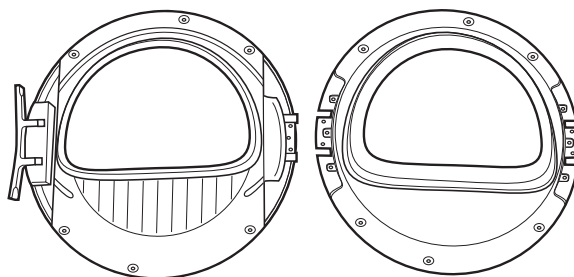


2 DESARME EL MONTAJE DE LA PUERTA

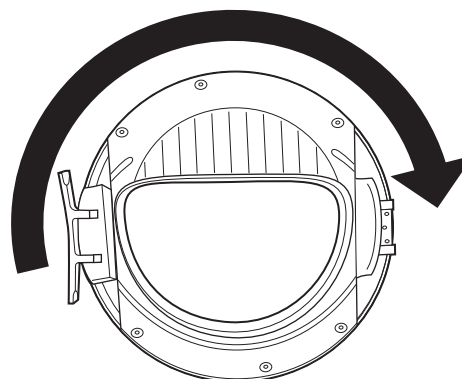
Quite los 16 tornillos de la puerta y el extremo macho de la traba del lado interior de la puerta.



Quite la cara interna.



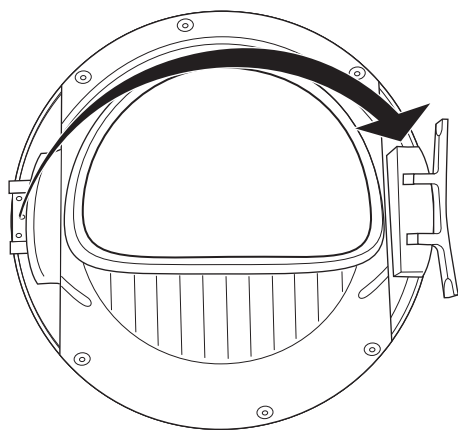
Levante y gire el montaje de la ventana en 180° y vuelva a colocar. También gire la cara interna en 180° y vuelva a instalar.



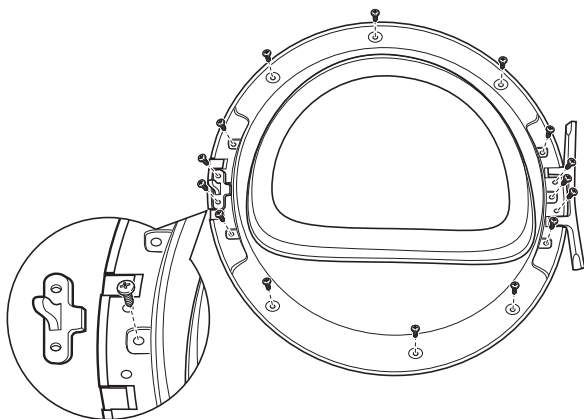
Instrucciones de instalación

3 VUELVA A COLOCAR EL MONTAJE DE LA PUERTA

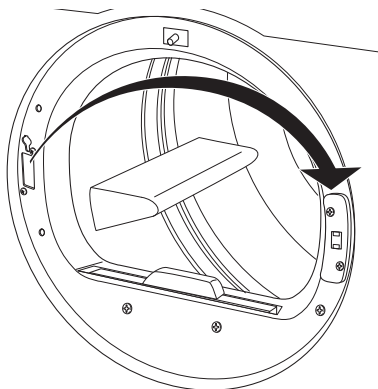
Vuelva a colocar el tornillo de la puerta en el centro del lado opuesto a la bisagra. Luego coloque el extremo macho de la traba dentro de su lugar y sujete con dos tornillos de la puerta.



Coloque todos los tornillos de la puerta que se quitaron.

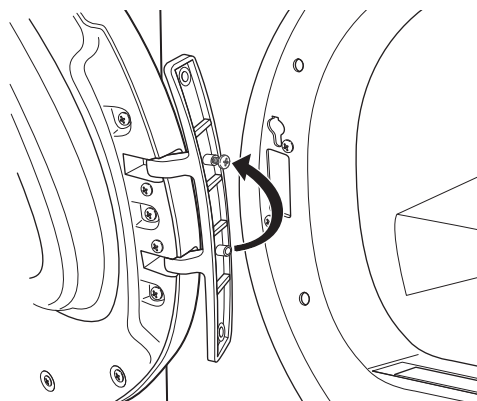


Quite el extremo macho de la traba del panel frontal de la secadora, gire en 180° y vuelva a colocarlo en el lado opuesto.

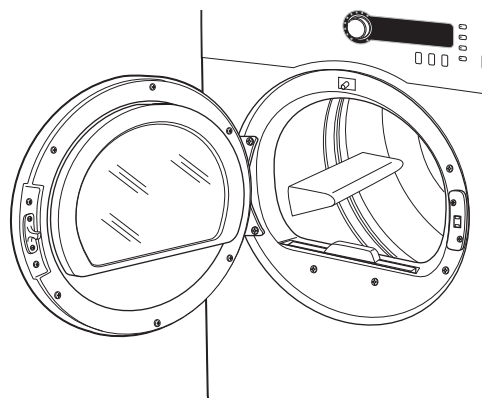
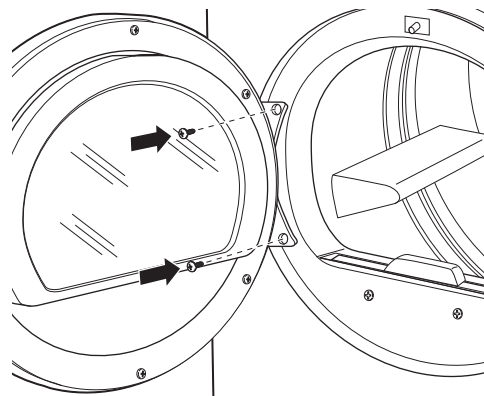


3 VUELVA A COLOCAR EL MONTAJE DE LA PUERTA (CONT.)

Desplace el tornillo de montaje a la posición superior de orificio de tornillo de la bisagra para que la puerta pueda colocarse en el gabinete durante la instalación final.



Vuelva a sujetar la bisagra en la parte superior e inferior con los tornillos de montaje de la bisagra.



Instrucciones de instalación

CÓMO APILAR LA LAVADORA Y LA SECADORA (si así lo desea)

Si planea apilar la lavadora y secadora, solicite el kit de apilado número GE24STACK para usar con esta secadora. El kit se vende por separado.

ANTES DE COMENZAR

Lea detenidamente todas las instrucciones.

- **IMPORTANTE** – Guarde estas instrucciones para uso del inspector local.
- **IMPORTANTE** – Cumpla todos los códigos y ordenanzas regulatorias.
- **Nota al instalador** – Asegúrese de dejar estas instrucciones al usuario.
- **Nota al usuario** – Guarde estas instrucciones para consultas futuras.
- La instalación **debe** efectuarla un instalador calificado.
- La instalación adecuada es responsabilidad del instalador.
- Si realiza la instalación sobre una base apilable podrá necesitar un cable de hasta 6 pies de longitud.

PARA SU SEGURIDAD:

⚠️ ADVERTENCIA:

- Peligro de descarga eléctrica. Desconecte la energía antes de instalar. No hacerlo puede provocar una lesión personal grave o la muerte.
- **Lesiones personales potenciales.**
Se recomienda que más de dos personas levanten la secadora hasta su posición debido a su peso y tamaño. No hacerlo puede provocar una lesión personal o la muerte.
- Evite la inclinación y ruptura de los servicios públicos. La secadora debe estar bien sujeta a la lavadora. NO coloque la lavadora sobre la secadora. Hacerlo puede provocar una lesión personal/la muerte o daños a la propiedad.

ESPACIO LIBRE MÍNIMO EN OTROS ESPACIOS QUE NO SEAN INSTALACIONES EN NICHOS O ARMARIOS

Los espacios libres mínimos respecto de superficies combustibles y de aberturas de aire son: 0" a ambos lados y 3" en el frente y en la parte trasera. Debe tenerse en cuenta un espacio libre adecuado para un funcionamiento y reparación correctos.

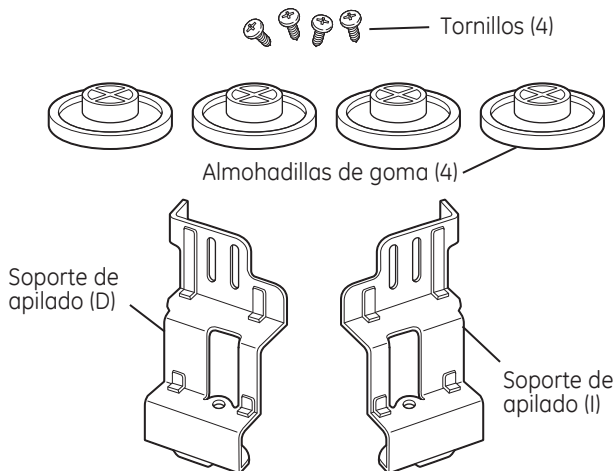
REQUERIMIENTOS PARA INSTALACIÓN EN NICHOS O ARMARIOS

- Su secadora puede instalarse en un nicho o armario, como se indica en la etiqueta de la parte trasera del aparato.
- Esta secadora **DEBE** tener una ventilación al exterior. Ver la sección SALIDA AL EXTERIOR DE LA SECADORA.
- El espacio libre mínimo entre el armario de la secadora y las paredes adyacentes u otras superficies es:
 - 0" sobre ambos lados
 - 3" sobre el frente y la parte trasera
- El espacio vertical mínimo desde el piso a los estantes superiores, gabinetes, cielorrasos, etc., es de 67,7".
- Las puertas del armario deben contar con rejillas u otro tipo de ventilación y tener por lo menos 60 pulgadas cuadradas de espacio abierto igualmente distribuido. Si el armario incluye una lavadora y una secadora, las puertas deben contener un mínimo de 120 pulgadas cuadradas de espacio abierto distribuido uniformemente.

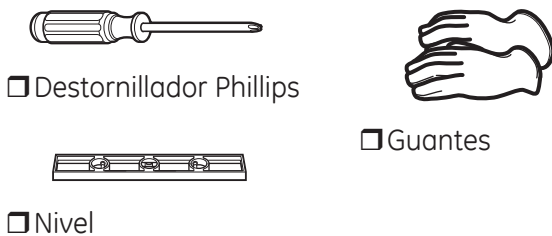
NOTA: CUANDO EL CONDUCTO DE SALIDA ESTÁ UBICADO EN LA PARTE TRASERA DE LA SECADORA, EL ESPACIO LIBRE MÍNIMO DESDE LA PARED DEBE SER 5.5 PULGADAS.

Instrucciones de instalación

CONTENIDO DEL KIT (KIT DE GE #GE24STACK)



HERRAMIENTAS NECESARIAS



PREPARACIÓN PARA LA INSTALACIÓN

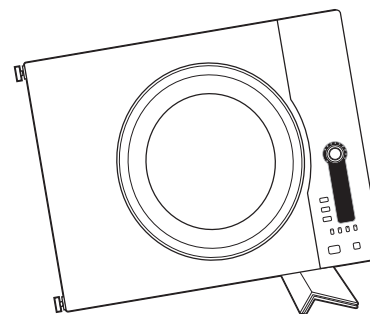
Quite el envoltorio.

Aplaste el cartón del producto para poder utilizarlo para colocar la secadora de costado. Siga usando el cartón para proteger el piso frente al lugar de instalación.

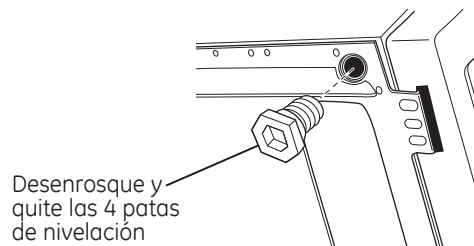
CÓMO INSTALAR EL KIT DE SOPORTE DE APILADO

1 CÓMO QUITAR LAS PATAS NIVELADORAS DE LA SECADORA

A. Con cuidado coloque la secadora sobre su lado. Utilice el material de empaque para no rayar el acabado de la secadora.

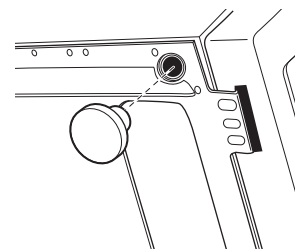


B. Quite las patas de nivelación de la secadora.



2 INSTALE ALMOHADILLAS DE GOMA EN LA BASE DE LA SECADORA

A. Ubique las 4 almohadillas de goma en el paquete de piezas. Introduzca las almohadillas de goma dentro de los orificios de las patas de nivelación.



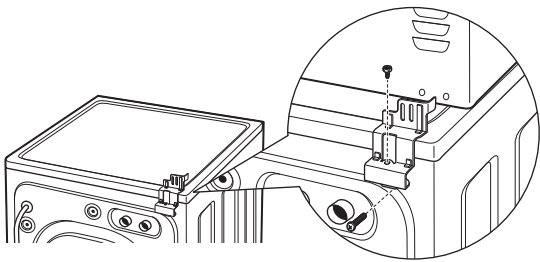
B. Coloque la secadora en posición vertical.

Instrucciones de instalación

CÓMO APILAR LA LAVADORA Y LA SECADORA (si así lo desea) (cont.)

3 CÓMO INSTALAR EL SOPORTE EN LA LAVADORA

- Quite el tornillo de la tapa superior de la lavadora de la parte trasera izquierda. Alinee los orificios del soporte izquierdo con el orificio de tornillo de la tapa superior de la parte trasera izquierda de la unidad y coloque el tornillo.
NOTA: Deje los tornillos flojos para facilitar la alineación del orificio de la secadora.
- Introduzca el tornillo siguiente a través del soporte dentro de la parte trasera de la lavadora.
- Repita los pasos anteriores en el lado derecho.

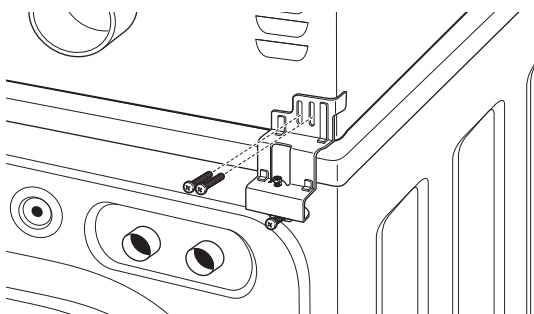


4 CÓMO INSTALAR LA SECADORA Y EL SOPORTE EN LA SECADORA

- Levante la secadora sobre la lavadora. Proteja el panel de control de la lavadora con cartón u otra protección. Asegúrese de levantar la secadora lo suficiente para liberar el panel de control de la lavadora.

⚠ ADVERTENCIA – Lesiones personales potenciales. Se recomienda que más de dos personas levanten la secadora hasta su posición debido a su peso y tamaño. No hacerlo puede provocar una lesión personal o la muerte.

- Alinee los orificios del soporte con los orificios de la parte trasera de la secadora. Con un destornillador de estrella, sujete los 2 tornillos auto-roscantes #8 x 1/2".
- Ajuste los tornillos del soporte de la secadora; luego ajuste todos los tornillos del kit de apilado.

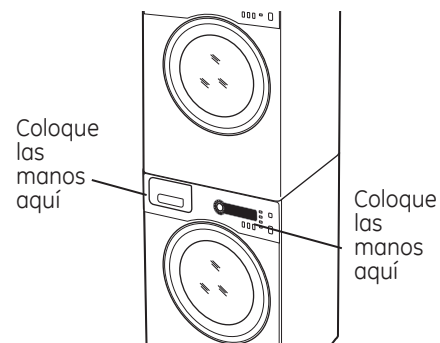


5 FINALICE LA INSTALACIÓN

- Consulte las Instrucciones de instalación de la lavadora para completar la instalación de la lavadora.
- Consulte las Instrucciones de instalación de la secadora para completar la instalación de la secadora.
- Con cuidado deslice o desplace la lavadora y secadora apiladas a su lugar. Utilice almohadillas u otro dispositivo para ayudar a deslizar los artefactos y para proteger el piso.

⚠ ADVERTENCIA:

Lesiones personales potenciales. No empuje la secadora una vez que se haya instalado sobre la lavadora. Si empuja la secadora puede pellizcarse los dedos.



Antes de llamar al servicio de asistencia técnica...



Consejos para la solución de problemas
¡Ahorre tiempo y dinero! Consulte primero las tablas de las páginas siguientes y quizás no necesite llamar al servicio de asistencia técnica..

Problema	Causas posibles	Solución
La secadora se mueve o hace ruido	El movimiento/ruido es normal. La secadora puede estar colocada en un lugar desnivelado	<ul style="list-style-type: none"> Desplace la secadora a un lugar nivelado, o ajuste las patas niveladoras según sea necesario.
Las prendas tardan mucho en secarse	Conducto inadecuado u obstruido	<ul style="list-style-type: none"> Controle las Instrucciones de instalación para verificar que la ventilación de la secadora sea la correcta. Verifique que el conducto se encuentre limpio, libre de abolladuras y sin obstrucciones. Controle que la campana de escape de la pared exterior funcione de forma correcta y que esté limpia.
	Clasificación inadecuada	<ul style="list-style-type: none"> Separe prendas pesadas de livianas (generalmente, una carga bien clasificada para la lavadora es una carga bien clasificada para la secadora).
	Cargas grandes de telas pesadas (como toallas de playa)	<ul style="list-style-type: none"> Las telas grandes y pesadas contienen más humedad y tardan más en secarse. Separe las telas grandes y pesadas en cargas más pequeñas para acelerar el tiempo de secado.
	Los controles están mal configurados	<ul style="list-style-type: none"> Ajuste las configuraciones de control a la carga que esté secando.
	El filtro de pelusas está lleno	<ul style="list-style-type: none"> Limpie el filtro de pelusas antes de cada carga.
	Fusible quemado o disyuntor accionado	<ul style="list-style-type: none"> Cambie los fusibles o reconfigure los disyuntores. Ya que la mayoría de las secadoras utilizan 2 fusibles/disyuntores, asegúrese de que ambos estén funcionando.
	Carga excesiva/cargas combinadas	<ul style="list-style-type: none"> No coloque más de una carga en la secadora por vez.
	Poca carga	<ul style="list-style-type: none"> Si va secar sólo una o dos prendas, agregue algunas más para asegurar un secado correcto.
Se seleccionó el nivel de secado DRY (seco) pero la carga sigue húmeda	La carga incluye una mezcla de telas pesadas y livianas	<ul style="list-style-type: none"> Cuando combine telas pesadas y livianas, seleccione MORE DRY (más seco).
	El sistema de salida se encuentra bloqueado	<ul style="list-style-type: none"> Inspeccione y limpie el sistema de salida.
Las teclas de control no responden	Los controles se accionaron accidentalmente en el modo de servicio	<ul style="list-style-type: none"> Presione START/PAUSE (inicio/pausa).
	Los controles se accionaron accidentalmente en el modo de bloqueo	<ul style="list-style-type: none"> Sostenga el botón LOCK (bloqueo) durante 3 segundos para desbloquear la secadora.
	Los controles efectuaron una operación incorrecta	<ul style="list-style-type: none"> Reconfigure el disyuntor.
La secadora no se enciende	El panel de control está "dormido"	<ul style="list-style-type: none"> Esto es normal. Presione POWER (encendido) para activar el panel de control.
	La secadora está desenchufada	<ul style="list-style-type: none"> Verifique que el enchufe de la secadora esté bien colocado en el tomacorriente.
	Fusible quemado/disyuntor accionado	<ul style="list-style-type: none"> Verifique la caja de fusibles/disyuntor del edificio y cambie el fusible o reconfigure el disyuntor. NOTA: Las secadoras eléctricas utilizan dos fusibles o disyuntores.
	La secadora se puso en pausa accidentalmente cuando se iniciaba Delay Start (inicio retardado)	<ul style="list-style-type: none"> Si la luz del botón START/PAUSE destella, la secadora se encuentra en pausa. Presione START/PAUSE para volver a iniciar la cuenta regresiva.

Antes de llamar al servicio de asistencia técnica...

Instrucciones de seguridad

Problema	Causas posibles	Solución
No se ven números durante el ciclo, sólo luces	La secadora monitorea continuamente la cantidad de humedad de las ropas	• Esto es normal. Cuando la secadora detecta un nivel bajo de humedad en la carga, ésta mostrará el tiempo restante de secado.
El tiempo restante saltó a un número más bajo	El tiempo estimado puede cambiar cuando se está secando una carga más pequeña de lo normal	• Esto es normal.
No se puede hacer una selección y la secadora emite dos pitidos	El nivel de secado, la temperatura o la opción que trata de seleccionar es incompatible con el ciclo de secado seleccionado	• Esto es normal.

Instrucciones de funcionamiento

La secadora funciona pero se ve 00 en el tiempo restante	Se seleccionó la opción EXTEND TUMBLE (secado prolongado)	• Esto es normal. Durante el secado prolongado, no puede verse el tiempo restante. La opción de secado prolongado dura aproximadamente 20 minutos. Luego girará en forma intermitente durante aproximadamente 70 minutos.
Clean Lint Filter (limpiar filtro de pelusas) (mensaje)	Se activó el botón POWER (encendido)	• Presione START/PAUSE (inicio/pausa) para comenzar un ciclo de secado y el mensaje desaparecerá.
La secadora no calienta	Fusible quemado/disyuntor accionado; la secadora gira pero no calienta	• Verifique la caja de fusibles/disyuntor del edificio y cambie ambos fusibles o reconfigure ambos disyuntores. La secadora puede girar si sólo se ha quemado un fusible o se ha accionado un disyuntor.
Tiempos de secado desiguales	Tipo de calor	• El tiempo de secado cambia de acuerdo con el tipo de calor utilizado. Si recientemente ha cambiado de una secadora eléctrica a una a gas (natural o PL), o viceversa, los tiempos de secado pueden cambiar.

Consejos para la solución de problemas

	Tipo de carga y condiciones de secado	• El tamaño de carga, tipos de telas, humedad de las prendas y la longitud y condición del sistema de salida afecta los tiempos de secado.
Brillo en la parte trasera del tambor	Calentadores detrás del tambor	• Esto es normal. En ciertas condiciones de secado e iluminación ambiente, el brillo de los calentadores puede verse en la parte trasera del tambor.
Las prendas siguen húmedas y la secadora se apagó después de un período corto	La puerta se abrió en la mitad del ciclo. Luego se quitó la carga de la secadora y se colocó una nueva carga sin seleccionar un nuevo ciclo	• Debe seleccionarse un ciclo de secado cada vez que se ingresa una carga.
	Carga pequeña	• Cuando se sequen 3 prendas o menos, seleccione SPEED DRY (secado rápido) o TIMED DRY (secado temporizado).
	La carga ya estaba seca con excepción de los cuellos y las cinturas	• Seleccione SPEED DRY o TIMED DRY para secar cuellos y cinturas. En el futuro, cuando seque una carga con cuellos y cinturas, seleccione MORE DRY .
	La secadora está desnivelada	• Desplace la secadora a un lugar nivelado o ajuste las patas niveladoras según sea necesario.

Soporte al consumidor

Las prendas encogen	Algunas telas encogen naturalmente cuando se las lava. Otras pueden lavarse sin problemas, pero encogerán en la secadora	<ul style="list-style-type: none"> • Para que no encojan, siga las instrucciones de cuidado de la prenda al pie de la letra. • Algunas prendas pueden plancharse y volver a su forma original después del secado. • Si tiene miedo de que una prenda determinada encoja, no la lave a máquina ni la seque con secadora.
---------------------	--	--



Consejos para la solución de problemas.

Problema	Causas posibles	Solución
Manchas grasosas en la ropa	Uso indebido del suavizante	<ul style="list-style-type: none"> • Siga las instrucciones del paquete de suavizante.
	Secar prendas sucias con limpias	<ul style="list-style-type: none"> • Use su secadora sólo para secar ropa limpia. La ropa sucia puede manchar prendas y la secadora.
	La ropa no estaba completamente limpia	<ul style="list-style-type: none"> • A veces las manchas no se ven cuando la ropa está mojada pero <i>aparecen</i> después del secado. Utilice procedimiento de lavado adecuados antes del secado.
Pelusas en la ropa	El filtro de pelusas está lleno	<ul style="list-style-type: none"> • Limpie el filtro de pelusas antes de cada carga.
	Clasificación inadecuada	<ul style="list-style-type: none"> • Separe las telas que producen pelusas (como el chenille) de las que atraen pelusas (como el corderoy).
	La electricidad estática puede atraer pelusas	<ul style="list-style-type: none"> • Ver sugerencias en esta sección bajo ESTÁTICA.
	Carga excesiva	<ul style="list-style-type: none"> • Divida las cargas más grandes en cargas más pequeñas.
	Se ha dejado en los bolsillos papel, pañuelos de papel, etc.	<ul style="list-style-type: none"> • Vacíe todos los bolsillos antes de lavar la ropa.
Se produce estática	No se utilizó suavizante	<ul style="list-style-type: none"> • Use suavizante de ropa. • El acondicionador de telas Bounce® en hojas ha sido aprobado para su uso en todas las secadoras GE cuando se utiliza de acuerdo con las instrucciones del fabricante.
	Secado excesivo	<ul style="list-style-type: none"> • Use suavizante de ropa. • Ajuste la configuración a LESS DRY o DAMP.
	Las telas sintéticas, el planchado permanente y las mezclas pueden provocar estática	<ul style="list-style-type: none"> • Use suavizante de ropa.
Los cuellos y las cinturas todavía están húmedos al finalizar el ciclo	El monitor de secado detecta que la mayoría de las prendas se encuentran secas	<ul style="list-style-type: none"> • Seleccione SPEED DRY (secado rápido) o TIMED DRY (secado temporizado) para secar cuellos y cinturas. En el futuro, cuando seque una carga con cuellos y cinturas, seleccione MORE DRY (más seco).
Pequeña variación del color metálico	Esto es normal	<ul style="list-style-type: none"> • Debido a las propiedades metálicas de la pintura utilizada con este producto único, pueden ocurrir pequeñas variaciones de color debido ángulos de visualización y condiciones de iluminación.

Garantía de la secadora GE.

Instrucciones de seguridad



Todos los servicios de garantía se ofrecen a través de nuestros centros de asistencia técnica o un técnico autorizado de Customer Care®. Para programar servicio de asistencia técnica en línea, visite la página GEAppliances.com o llame al 800.GE.CARES (1.800.432.2737). Cuando llame para solicitar servicio, por favor tenga a mano el número de serie y el número de modelo.

Engrape el recibo aquí.
Se necesita el comprobante con la fecha de compra original para que la garantía cubra los servicios.

Período:

Un año
Desde la fecha de compra original

Se sustituirá:

Cualquier pieza de la secadora que falle debido a un defecto de los materiales o mano de obra. Durante esta **garantía limitada de un año**, GE también ofrece, **en forma gratuita**, toda la mano de obra y los costos de servicio para reemplazar la pieza defectuosa.

Instrucciones de funcionamiento

Exclusiones de la garantía:

- Visitas de servicio a domicilio para mostrarle cómo utilizar el producto.
- Instalación, envío o mantenimiento incorrectos.
- Fallas del producto por manipulación, uso incorrecto o distinto al destinado o previsto comercialmente.
- Recambio de la bombilla de luz después de su vida útil esperada.
- Sustitución de los fusibles de la vivienda o restablecimiento de los interruptores.
- Daños causados por accidentes, incendios, inundaciones o fenómenos naturales.
- Daños emergentes o fortuitos causados por posibles defectos del electrodoméstico.
- Daños tras la entrega.
- Producto no accesible para facilitar el servicio requerido.

Consejos para la solución de problemas

EXCLUSIÓN DE GARANTÍAS IMPLÍCITAS—Su único y exclusivo derecho es la reparación del producto, tal y como se indica en esta Garantía limitada. Cualquier garantía implícita, incluyendo las garantías implícitas de comerciabilidad o adecuación para un fin determinado, están limitadas a un año o el período de tiempo más breve permitido por la ley.

Esta garantía se extiende al comprador original y cualquier comprador posterior de productos comprados para uso residencial dentro de los Estados Unidos. Si el producto está situado en un área que no dispone de servicio por parte de un proveedor de servicio autorizado de GE, podría tener que hacerse cargo de los costes de envío o bien podría solicitarse que lleve el producto a una centro de servicio de GE autorizado para realizar la reparación. En Alaska, la garantía excluye el costo de envío o las visitas de servicio a su casa.

Algunos estados no permiten la exclusión o las limitaciones de daños incidentales o consecuenciales. Esta garantía da derechos legales específicos, y usted podría tener otros derechos que variarán de estado a estado. Para saber cuáles son sus derechos legales, consulte a la oficina de asuntos del consumidor local o la oficina del Procurador (Attorney General) en su localidad.

Garante: General Electric Company. Louisville, KY 40225

SopORTE al consumidor

Apoyo al cliente.



Sitio Web de GE Appliances

En los EE.UU.: **GEAppliances.com**

¿Tiene una consulta o necesita ayuda con su aparato? ¡Visite el Sitio Web de GE Appliances las 24 horas al día, todos los días del año! Para una mayor comodidad y un servicio más rápido, ahora usted puede bajar los Manuales del Propietario, solicitar piezas o programar atención en línea. **En Canadá: www.GEAppliances.ca**



Programe una reparación

En los EE.UU.: **GEAppliances.com**

El servicio experto de reparación de GE está sólo a un paso de su hogar. ¡Programe on-line el servicio técnico a su conveniencia cualquier día del año! O llame al 800.GE.CARES (800.432.2737) durante horario normal de trabajo.

En Canadá, llame al 1.800.561.3344



Estudio de diseño para la vida real

En los EE.UU.: **GEAppliances.com**

GE apoya el concepto de Diseño Universal: Productos, servicios y ambientes que pueden ser utilizados por personas de todas las edades, tamaños y capacidades. Reconocemos la necesidad de la creación de diseños para una amplia gama de capacidades y limitaciones físicas y mentales. Para más detalles sobre las aplicaciones de Diseño Universal de GE, incluyendo ideas de diseño de cocina para personas con discapacidades, visite el Sitio Web hoy mismo. Para las personas con problemas auditivos, llame al 800.TDD.GEAC (800.833.4322).

En Canadá, comuníquese con: Manager, Consumer Relations, Mabe Canada Inc.
Suite 310, 1 Factory Lane
Moncton, N.B. E1C 9M3

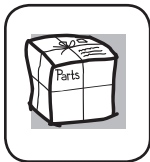


Garantías extendidas

En los EE.UU.: **GEAppliances.com**

Adquiera una garantía extendida de GE y averigüe sobre descuentos especiales disponibles durante la vigencia de su garantía. Usted puede adquirirla on-line en cualquier momento, o llamar al 800.626.2224 en horario normal de trabajo. El Servicio Doméstico al Consumidor de GE también lo ayudará después de que su garantía haya expirado.

En Canadá, llame al 1.888.261.2133



Piezas y accesorios

En los EE.UU.: **GEAppliances.com**

Las personas calificadas para arreglar sus propios aparatos pueden recibir las piezas o accesorios directamente en sus hogares (se aceptan las tarjetas VISA, MasterCard y Discover). Solicítelos on-line hoy mismo, las 24 horas del día o por teléfono al 800.626.2002 en horario normal de trabajo.

Las instrucciones incluidas en este manual cubren los procedimientos a realizar por cualquier usuario. Personal de servicio técnico calificado debe efectuar otra clase de arreglos. Debe tenerse mucho cuidado, porque los arreglos inadecuados pueden provocar un funcionamiento poco seguro.

Los clientes **de Canadá** deben consultar las páginas amarillas para encontrar el centro de servicio Mabe más cercano, o deben llamar al 1.800.661.1616.



Comuníquese con nosotros

En los EE.UU.: **GEAppliances.com**

Si no se encuentra satisfecho con el servicio que recibe de GE, comuníquese con nosotros a través del Sitio Web con todos los detalles, incluyendo número de teléfono, o escríbanos a:

General Manager, Customer Relations
GE Appliances, Appliance Park
Louisville, KY 40225

En Canadá: www.GEAppliances.ca, o escriba a:

Director, Consumer Relations, Mabe Canada Inc.
Suite 310, 1 Factory Lane
Moncton, N.B. E1C 9M3



Registre su aparato

En los EE.UU.: **GEAppliances.com**

Registre su nuevo aparato on-line, ¡como le resulte más conveniente! Una inscripción de producto oportuna mejorará y acelerará las comunicaciones y el servicio según los términos de la presente garantía, si surgiera la necesidad. Usted también puede enviar por correo la tarjeta de inscripción pre-impresa incluida con el material de empaque. **En Canadá: www.GEAppliances.ca**

Consumer Support.



GE Appliances Website

In the U.S.: **GEAppliances.com**

Have a question or need assistance with your appliance? Try the GE Appliances Website 24 hours a day, any day of the year! For greater convenience and faster service, you can now download Owner's Manuals, order parts or even schedule service on-line. **In Canada: www.GEAppliances.ca**



Schedule Service

In the U.S.: **GEAppliances.com**

Expert GE repair service is only one step away from your door. Get on-line and schedule your service at your convenience any day of the year! Or call 800.GE.CARES (800.432.2737) during normal business hours.

In Canada, call 1.800.561.3344



Real Life Design Studio

In the U.S.: **GEAppliances.com**

GE supports the Universal Design concept—products, services and environments that can be used by people of all ages, sizes and capabilities. We recognize the need to design for a wide range of physical and mental abilities and impairments. For details of GE's Universal Design applications, including kitchen design ideas for people with disabilities, check out our Website today. For the hearing impaired, please call 800.TDD.GEAC (800.833.4322).

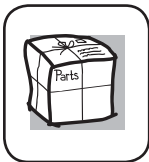
In Canada, contact: Manager, Consumer Relations, Mabe Canada Inc.
Suite 310, 1 Factory Lane
Moncton, N.B. E1C 9M3



Extended Warranties

In the U.S.: **GEAppliances.com**

Purchase a GE extended warranty and learn about special discounts that are available while your warranty is still in effect. You can purchase it on-line anytime, or call 800.626.2224 during normal business hours. GE Consumer Home Services will still be there after your warranty expires. **In Canada, please visit our Website or contact your local extended warranty provider.**



Parts and Accessories

In the U.S.: **GEAppliances.com**

Individuals qualified to service their own appliances can have parts or accessories sent directly to their homes (VISA, MasterCard and Discover cards are accepted). Order on-line today, 24 hours every day or by phone at 800.626.2002 during normal business hours.

Instructions contained in this manual cover procedures to be performed by any user. Other servicing generally should be referred to qualified service personnel. Caution must be exercised, since improper servicing may cause unsafe operation.

Customers **in Canada** should consult the yellow pages for the nearest Mabe service center, or call 1.800.661.1616.



Contact Us

In the U.S.: **GEAppliances.com**

If you are not satisfied with the service you receive from GE, contact us on our Website with all the details including your phone number, or write to:

General Manager, Customer Relations
GE Appliances, Appliance Park
Louisville, KY 40225

In Canada: www.GEAppliances.ca, or write to: Director, Consumer Relations, Mabe Canada Inc.
Suite 310, 1 Factory Lane
Moncton, N.B. E1C 9M3



Register Your Appliance

In the U.S.: **GEAppliances.com**

Register your new appliance on-line—at your convenience! Timely product registration will allow for enhanced communication and prompt service under the terms of your warranty, should the need arise. You may also mail in the pre-printed registration card included in the packing material. **In Canada: www.GEAppliances.ca**