

Installation Instructions
Instrucciones de Instalación
English / Español

Models/Modelos: 417.6173*, 417.7173*

Kenmore[®] Laundry Center

Centro de lavado

* = Color number, número de color

P/N: A13415001 (1801)
Sears Brands Management Corporation
Hoffman Estates, IL 60179 U.S.A.
www.kenmore.com
www.sears.com



Important Safety Instructions

Table of Contents

Important Safety Instructions.....	2-3
Installation Requirements	3-14
Unpacking Laundry Center	15
Installation Instructions	16-21
Accessories and Replacement Parts.....	22



WARNING

For your safety the information in this manual must be followed to minimize the risk of fire or explosion or to prevent property damage, personal injury or loss of life. Save these instructions.



WARNING-RISK OF FIRE

Read all of the following instructions before installing and using this appliance:

- Destroy the carton and plastic bags after the laundry center is unpacked. Children might use them for play. Cartons covered with rugs, bedspreads, or plastic sheets can become airtight chambers causing suffocation. Place all materials in a garbage container or make materials inaccessible to children.
- Clothes dryer installation and service must be performed by a qualified installer, service agency or the gas supplier.
- Install the appliance according to the manufacturer's instructions and local codes.
- The electrical service to the appliance must conform with local codes and ordinances and the latest edition of the National Electrical Code, ANSI/NFPA 70, or in Canada, the Canadian electrical code C22.1 part 1.
- The gas service to the dryer must conform with local codes and ordinances and the latest edition of the National Fuel Gas Code ANSI Z223.1, or in Canada, CAN/ACG B149.1-2000. An individual manual shut-off valve must be installed within 6 ft (1.83 m) of the dryer in accordance with the National Fuel Gas Code, ANSI Z223.1/NFPA 54.
- The laundry center is designed under ANSI Z 21.5.1 or ANSI/UL 2158 - CAN/CSA C22.2 No. 112 (latest editions) for HOME USE only. This dryer is not recommended for commercial applications such as restaurants, beauty salons, etc.
- Do not install a clothes dryer with flexible plastic or flexible foil venting material. Flexible venting materials are known to collapse, be easily crushed and trap lint. These conditions will obstruct clothes dryer airflow and increase the risk of fire.
- The instructions in this manual and all other literature included with this appliance are not meant to cover every possible condition and situation that may occur. Good safe practice and caution **MUST** be applied when installing, operating and maintaining any appliance.

SAVE THESE INSTRUCTIONS FOR FUTURE REFERENCE.

Important Safety Instructions



WARNING

Please read all instructions before using this appliance.

Definitions

⚠ This is the safety alert symbol. It is used to alert the user of potential personal injury hazards. Obey all safety messages that follow this symbol to avoid possible injury or death.

Safety items throughout this manual are labeled with a **WARNING** or **CAUTION** based on the risk type as described below:



DANGER

DANGER indicates an imminently hazardous situation which, if not avoided, will result in death or serious injury.



WARNING

WARNING indicates a potentially hazardous situation which, if not avoided, could result in death or serious injury.



CAUTION

CAUTION indicates a potentially hazardous situation which, if not avoided, may result in minor or moderate injury.

IMPORTANT

Indicates installation, operation, or maintenance information which is important but not hazard-related.

Installation Requirements



CAUTION

EXCESSIVE WEIGHT HAZARD
To avoid back or other injury, have more than one person move or lift the appliance.

Pre-Installation Requirements

Tools and materials needed for installation:

- Adjustable pliers
- Phillips, straight, & square bit screwdrivers
- Adjustable wrench
- Pipe wrench for gas supply (gas dryer)
- LP-resistant thread tape (for natural gas or LP supply, gas dryer)
- Carpenter's level
- External vent hood
- 4-inch (102 mm), rigid metal or semi-rigid metal exhaust duct work
- 3-wire or 4-wire 240 volt cord kit (electric dryer)
- 4 in. (102 mm) clamp
- Gas line shutoff valve (gas dryer)
- ½ NPT union flare adapters (x2) and flexible gas supply line (gas dryer)
- Metal foil tape (not duct tape)
- Inlet hoses (x2)

NOTE

Hoses are not included with washer purchase. See "Accessories" section for various inlet hose kits to fit your specific installation.

NOTE

Because of potentially inconsistent voltage capabilities, the use of this dryer with power created by gas powered generators, solar powered generators, wind powered generators or any other generator other than the local utility company is not recommended.

Installation Requirements



INSTALLATION CHECKLIST

Shipping Hardware

- Foam shipping restraint (inside wash tub) removed and stored
- Foam shipping support (underneath appliance) removed and stored

Leveling

- Laundry center is level, side-to-side and front-to-back
- Cabinet is setting solid on all corners

Water Supply

- Use only new hoses and verify rubber sealing washers are installed
- HOT supply is connected to HOT inlet and COLD supply is connected to COLD inlet
- HOT and COLD water supply turned on
- No leaks present at water supply connections or appliance inlet connections -recheck in 24 hours

Drain

- Stand pipe or wall drain height min. 33"
- Drain hose secured in place with cable tie (shipped in drum)

Exhaust Venting

- Free-flowing, clear of lint buildup
- 4 inch (102 mm) rigid or semi-rigid ducting of minimal length and turns
- NO foil or plastic venting material
- Approved vent hood exhausted to outdoors

Gas Supply (Gas Dryer)

- Manual shutoff valve present in supply
- All connections sealed with approved sealer and wrench tight
- Conversion kit for LP system
- Gas supply turned on
- No leaks present at all connections check with soapy water, NEVER check with flame

240v Electric Supply (Electric Dryer)

- Approved NEMA 10-30R or 14-30R service cord with all screws tight on terminal block
- Approved strain relief installed
- Terminal access cover installed before initial operation

Electrical Power

- House power turned on
- Laundry Center plugged in

Final Checks

- Installation Instructions and Use and Care Guide read thoroughly
- Water enters drum when cycle starts with lid lowered. Dryer door latches and drum tumbles when cycle starts
- Registration card sent in

Installation Requirements

Electrical requirements for Laundry Center with electric dryer

CIRCUIT - Individual 30 amp. branch circuit fused with 30 amp. time delay fuses or circuit breakers.

POWER SUPPLY - 3-wire or 4-wire, 240 volt, single phase, 60 Hz, Alternating Current.

IMPORTANT

This laundry center is internally grounded to neutral unless it was manufactured for sale in Canada.

Only a 4-conductor cord shall be used when the appliance is installed in a location where grounding through the neutral conductor is prohibited. Grounding through the neutral link is prohibited for: (1) new branch circuit installations, (2) mobile homes, (3) recreational vehicles, and (4) areas where local codes DO NOT permit grounding through the neutral.

OUTLET RECEPTACLE - NEMA 10-30R or NEMA 14-30R receptacle to be located so the power supply cord is accessible when the dryer is in the installed position.

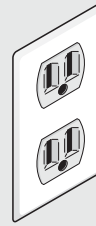
GROUNDING CONNECTION - See "Grounding requirements" in Electrical Installation section.



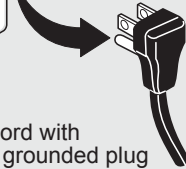
WARNING

Improper grounding of the laundry center may cause serious injury or death. Check with a licensed electrician if you are in doubt as to whether the appliance is properly grounded.

Grounding type wall receptacle



Do not, under any circumstances, cut, remove, or bypass the grounding prong.



Power cord with 3-prong grounded plug

3-WIRE POWER SUPPLY CORD KIT (not supplied)



3-wire receptacle
(NEMA type 10-30R)

The dryer **MUST** employ a 3-conductor power supply cord NEMA 10-30 type SRDT rated at 240 volt AC minimum, 30 amp, with 3 open end spade lug connectors with upturned ends or closed loop connectors and marked for use with clothes dryers. For 3-wire cord connection instructions see **ELECTRICAL CONNECTIONS FOR A 3-WIRE SYSTEM.**

4-WIRE POWER SUPPLY CORD KIT (not supplied)



4-wire receptacle
(NEMA type 14-30R)

The dryer **MUST** employ a 4-conductor power supply cord NEMA 14-30 type SRDT or DRT (as required) rated at 240 volt AC minimum, 30 amp, with 4 open end spade lug connectors with upturned ends or closed loop connectors and marked for use with clothes dryers. For 4-wire cord connection instructions see **ELECTRICAL CONNECTIONS FOR A 4-WIRE SYSTEM.**

Installation Requirements

NOTE

Laundry centers manufactured for sale in Canada have factory-installed, 4-wire power supply cord (NEMA 14-30R).

Electrical requirements for Laundry Center with gas dryer



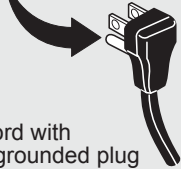
WARNING

Improper grounding of the laundry center may cause serious injury or death. Check with a licensed electrician if you are in doubt as to whether the appliance is properly grounded.

Grounding type wall receptacle



Do not, under any circumstances, cut, remove, or bypass the grounding prong.



Power cord with 3-prong grounded plug

CIRCUIT - Individual, properly polarized and grounded 15 amp. branch circuit fused with 15 amp. time delay fuse or circuit breaker.

POWER SUPPLY - 2-wire, with ground, 120 volt, single phase, 60 Hz, Alternating Current.

POWER SUPPLY CORD - The dryer is equipped with a 120 volt 3-wire power cord.

GROUNDING CONNECTION - See "Grounding requirements" in Electrical Installation section.

Gas supply requirements



WARNING

EXPLOSION HAZARD

Uncoated copper tubing will corrode when subjected to natural gas, causing gas leaks. Use ONLY black iron, stainless steel, or plastic-coated brass piping for gas supply.

1. Installation **MUST** conform with local codes, or in the absence of local codes, with the National Fuel Gas Code, ANSI Z223.1 (latest edition).
2. The gas supply line should be 1/2 inch (1.27 cm) pipe.
3. If codes allow, flexible metal tubing may be used to connect your dryer to the gas supply line. The tubing **MUST** be constructed of stainless steel or plastic-coated brass.
4. The gas supply line **MUST** have an individual shutoff valve installed in accordance with the B149.1, Natural Gas and Propane Installation Code.
5. A 1/8 inch (0.32 cm) N.P.T. plugged tapping, accessible for test gauge connection, **MUST** be installed immediately upstream of the gas supply connection to the dryer.
6. The dryer **MUST** be disconnected from the gas supply piping system during any pressure testing of the gas supply piping system at test pressures in excess of 1/2 psig (3.45 kPa).
7. The dryer **MUST** be isolated from the gas supply piping system during any pressure testing of the gas supply piping system at test pressures equal to or less than 1/2 psig (3.45 kPa).
8. Connections for the gas supply must comply with the Standard for Connectors for Gas Appliances, ANSI Z21.24 - CSA 6.10.

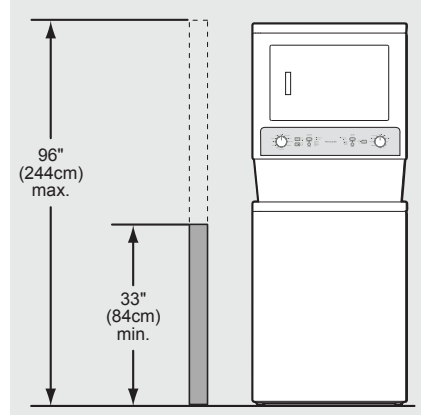
Installation Requirements

Water supply requirements

Hot and cold water faucets **MUST** be installed within 42 inches (107 cm) of your washer's water inlet. The faucets **MUST** be 3/4 inch (1.9 cm) with threading for laundry hose connection. Water pressure **MUST** be between 10 psi (0.69 bars) and 120 psi (8.27 bars). Pressure difference between hot and cold cannot be more than 10 psi. Your water department can advise you of your water pressure.

NOTE

Washers connected to water supplies with lower inlet pressure will experience longer filling times and may not complete cycles as quickly.



Drain system requirements

1. Drain capable of eliminating 17 gals (64.3 L) per minute.
2. A standpipe diameter of 1-1/4 in. (3.18 cm) minimum.
3. Standpipe height above the floor should be:
Minimum height: 33 in. (84 cm)
Maximum height: 96 in. (244 cm)

NOTE

For installations requiring a longer drain hose, have a qualified technician install a longer drain hose (according to your model number) available from an authorized parts distributor. For drain systems in the floor, install a syphon break kit available from your local hardware store.

Exhaust system requirements

Use only 4 inch (102 mm) diameter rigid or flexible metal duct and approved vent hood which has a swing-out damper(s) that open when the dryer is in operation. When the dryer stops, the dampers automatically close to prevent drafts and the entrance of insects and rodents. To avoid restricting the outlet, maintain a minimum of 12 inches (30.5 cm) clearance between the vent hood and the ground or any other obstruction.



WARNING

FIRE HAZARD

Failure to follow these instructions can create excessive drying times and fire hazards.

The following are specific requirements for proper and safe operation of your dryer.

Installation Requirements

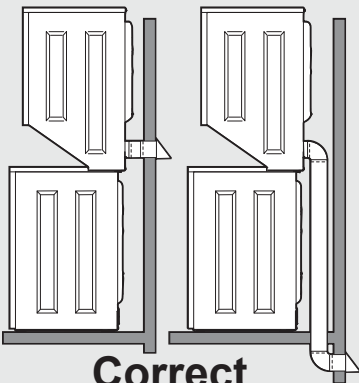


WARNING

FIRE HAZARD

DO NOT install a clothes dryer with flexible plastic or metal foil venting materials. Flexible venting materials are known to collapse, be easily crushed and trap lint. These conditions will obstruct clothes dryer airflow and increase the risk of fire.

If your present system is made up of plastic duct or metal foil duct, replace it with a rigid or semi-rigid metal duct. Also, ensure the present duct is free of any lint prior to installing dryer duct.



Correct



Incorrect



WARNING

FIRE HAZARD

A clothes dryer must be exhausted outdoors. **DO NOT** exhaust dryer into a chimney, a wall, a ceiling, an attic, a crawl space or any concealed space of a building. A clothes dryer produces combustible lint. If the dryer is not exhausted outdoors, some fine lint will be expelled into the laundry area. An accumulation of lint in any area of the home can create a health and fire hazard.

The dryer must be connected to an exhaust outdoors. **Prior to installing your new dryer**, inspect the outdoor exhaust opening and remove any accumulation of lint around the outdoor exhaust opening and in the surrounding area.



WARNING

FIRE HAZARD

Failure to follow safety warnings exactly could result in serious injury, death, or property damage.

DO NOT install a booster fan in the exhaust duct.

Install all clothes dryers in accordance with the installation instructions in this manual.

Installation Requirements



WARNING

FIRE HAZARD


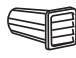

- **DO NOT** allow combustible materials (for example: clothing, draperies/curtains, paper) to come in contact with exhaust system. The dryer **MUST NOT** be exhausted into a chimney, a wall, a ceiling, or any concealed space of a building which can accumulate lint, resulting in a fire hazard.
- **DO NOT** screen the exhaust ends of the vent system, or use any screws, rivets or other fasteners that extend into the duct to assemble the exhaust system. Lint can become caught in the screen, on the screws or rivets, clogging the duct work and creating a fire hazard as well as increasing drying times. Use an approved vent hood to terminate the duct outdoors, and seal all joints with metal foil duct tape. All male duct pipe fittings **MUST** be installed downstream with the flow of air.



WARNING

FIRE HAZARD

Exceeding the length of duct pipe or number of elbows allowed in the "MAXIMUM LENGTH" charts can cause an accumulation of lint in the exhaust system. Plugging the system could create a fire hazard, as well as increase drying times.

Number of 90° turns	MAXIMUM LENGTH of 4" (102 mm) Rigid Metal Duct	
	VENT HOOD TYPE	
	(Preferred)	
	 4" (10.2 cm)	 louvered
	 2.5" (6.35 cm)	
0	56 ft. (17 m)	42 ft. (13 m)
1	48 ft. (14.5 m)	34 ft. (10.5 m)
2	40 ft. (12 m)	26 ft. (8 m)
3	32 ft. (9.5 m)	18 ft. (5.5 m)



WARNING

FIRE HAZARD

- **DO NOT** install flexible plastic or flexible foil venting material.
- If installing semi-rigid venting, **DO NOT** exceed 8 ft. (2.4 m) duct length.

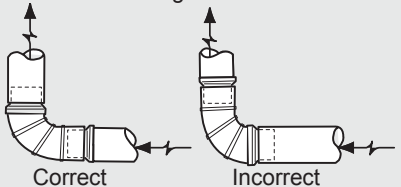


WARNING

FIRE HAZARD

- Failure to follow safety warnings exactly could result in serious injury, death, or property damage.
- **DO NOT** install a booster fan in dryer exhaust duct.
- Install all clothes dryers in accordance with the installation instructions in this manual.

Install male fittings in correct direction:



Installation Requirements

In installations where the exhaust system is not described in the charts, the following method must be used to determine if the exhaust system is acceptable:

1. Connect an inclined or digital manometer between the dryer and the point the exhaust connects to the dryer.
2. Set the dryer timer and temperature to air fluff (cool down) and start the dryer.
3. Read the measurement on the manometer.
4. **The system backpressure MUST NOT be higher than 0.6 inches of water column. If the system back pressure is less than 0.6 inches of water column, the system is acceptable. If the manometer reading is higher than 0.6 inches of water column, the system is too restrictive and the installation is unacceptable.**

Although vertical orientation of the exhaust system is acceptable, certain extenuating circumstances could affect the performance of the dryer:

- Only rigid metal duct work should be used.
- Venting vertically through a roof may expose the exhaust system to down drafts causing an increase in vent restriction.
- Running the exhaust system through an uninsulated area may cause condensation and faster accumulation of lint.
- Compression or crimping of the exhaust system will cause an increase in vent restriction.
- The exhaust system should be inspected and cleaned a minimum of every 18 months with normal usage. The more the dryer is used, the more often you should check the exhaust system and vent hood for proper operation.

Exhaust direction

The laundry center may be exhausted four (4) ways with rear flush installation:

1. Straight back
2. Down (8 inch [20.3 cm] length of 4 inch diameter [102 mm] rigid duct and 1 elbow down)
3. Left (8 inch [20.3 cm] length of 4 inch diameter [102 mm] rigid duct, 1 elbow down and 1 elbow left)
4. Right (8 inch [20.3 cm] length of 4 inch diameter [102 mm] rigid duct, 1 elbow down and 1 elbow right)



An exhaust hood positioned to line up with the dryer exhaust can be installed directly through the outside wall. To exhaust to the side or down, add an 8 inch (20.3 cm) length of standard 4 inch (102 mm) diameter duct and a 90° elbow.

To exhaust up, add an 11 inch (28 cm) length of standard 4 inch (102 mm) diameter duct and a 90° elbow. The unit will be positioned about 4.5 inches (11.5 cm) away from the wall (flush to wall exhausting may be done by going below the dryer then sideways).

See also *Clearance Requirements* in this instruction.

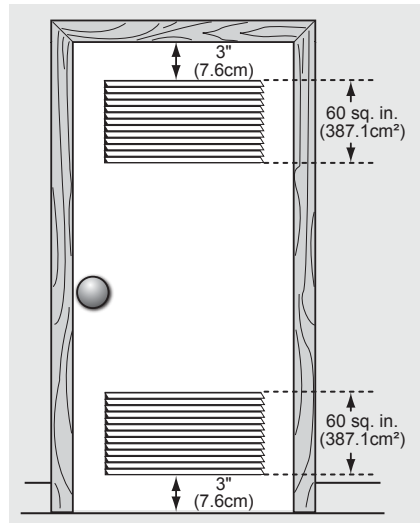
Installation Requirements

Manufactured or mobile home installation

1. Installation **MUST** conform to current Manufactured Home Construction & Safety Standard, Title 24 CFR Part 3280 (formerly the Federal Standard for Mobile Home Construction and Safety, Title 24, HUD Part 280) or Standard CAN/CSA-Z240 MH.
2. Dryer **MUST** be exhausted outside (outdoors, not beneath the mobile home) using metal ducting that will not support combustion. Metal ducting must be 4 inches (10.16 cm) in diameter with no obstructions. Rigid metal duct is preferred. Exhaust ducts must be securely fastened to a noncombustible portion of the mobile home structure.
3. If dryer is exhausted through the floor and area beneath the mobile home is enclosed, the exhaust system **MUST** terminate outside the enclosure with the termination securely fastened to the mobile home structure.
4. Refer to previous sections in this guide for other important exhaust venting system requirements.
5. When installing a gas dryer into a mobile home, a provision must be made for outside make up air. This provision is to be not less than twice the area of the dryer exhaust outlet.
6. Installer **MUST** anchor this laundry center to the floor with approved Mobile Home Installation Kit - P/N 137067200.

Installation in a Recess or Closet

1. A dryer installed in a bedroom, bathroom, recess or closet, **MUST** be exhausted outdoors.
2. No other fuel burning appliance shall be installed in the same closet as the gas dryer.
3. Your dryer needs the space around it for proper ventilation.
4. **DO NOT** install your dryer in a closet with a solid door.
5. Closet door ventilation required: A minimum of 120 square inches (774.2 cm²) of opening, equally divided at the top and bottom of the door, is required. Openings should be located 3 inches (7.6 cm) from bottom and top of door. Openings are required to be unobstructed when a door is installed. A louvered door with equivalent air openings for the full length of the door is acceptable.



Installation Requirements

Clearance requirements

MINIMUM INSTALLATION CLEARANCES - Inches (cm)				
	SIDES	REAR	TOP	FRONT
Alcove	0" (0 cm)	0" (0 cm)	1" (2.5 cm)	n/a
Closet	0" (0 cm)	0" (0 cm)	1" (2.5 cm)	1" (2.5 cm)



WARNING

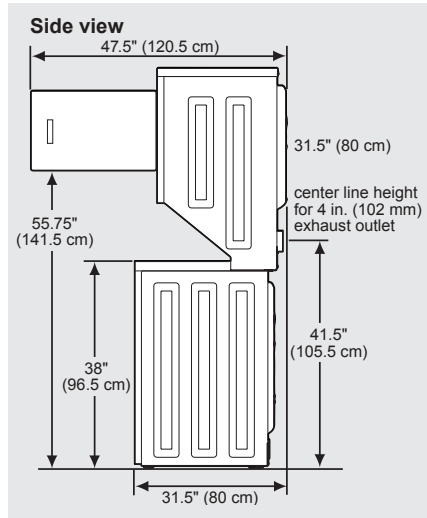
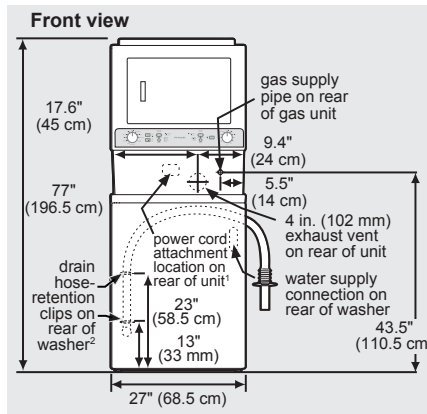
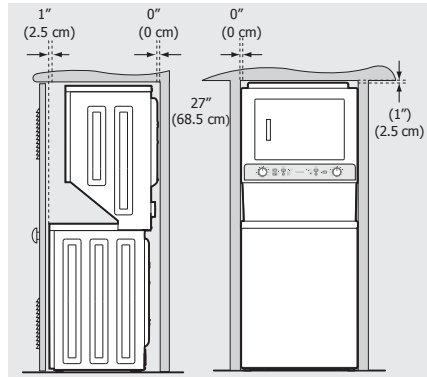
EXPLOSION HAZARD

DO NOT install the laundry center where gasoline or other flammables are kept or stored. If the laundry center is installed in a garage, the dryer portion must be a minimum of 18 inches (45.7 cm) above the floor. Failure to do so can result in death, explosion, fire or burns.

IMPORTANT

DO NOT INSTALL YOUR LAUNDRY CENTER:

- In an area exposed to dripping water or outside weather conditions. The ambient temperature should never be below 60° F (15.6° C) to maximize detergent effectiveness.
- In an area where it will come in contact with curtains, drapes, or anything that will obstruct the flow of combustion and ventilation air.
- On carpet. Floor **MUST** be solid with a maximum slope of 1 inch (2.5 cm). To minimize vibration or movement, reinforcement of the floor may be necessary.



¹ Power supply cord length on gas unit approximately 60 inches (152.5 cm).

² Loose drain hose length beyond clamp approximately 51.5 inches (131 cm).

Installation Requirements

Electrical installation

The following are specific requirements for proper and safe electrical installation of your dryer. Failure to follow these instructions can create electrical shock and/or a fire hazard



WARNING

ELECTRICAL SHOCK HAZARD

- This appliance **MUST** be properly grounded. Electrical shock can result if the dryer is not properly grounded. Follow the instructions in this manual for proper grounding.
- **DO NOT** use an extension cord with this dryer. Some extension cords are not designed to withstand the amounts of electrical current this dryer utilizes and can melt, creating electrical shock and/or fire hazard. Locate the dryer within reach of the receptacle for the length power cord to be purchased, allowing some slack in the cord. Refer to the pre-installation requirements in this manual for the proper power cord to be purchased.



WARNING

ELECTRICAL SHOCK HAZARD

- A U.L.-approved strain relief must be installed onto power cord. If the strain relief is not attached, the cord can be pulled out of the dryer and can be cut by any movement of the cord, resulting in electrical shock.
- **DO NOT** use an aluminum wired receptacle with a copper wired power cord and plug (or vice versa). A chemical reaction occurs between copper and aluminum and can cause electrical shorts. The proper wiring and receptacle is a copper wired power cord with a copper wired receptacle.

NOTE

Dryers operating on 208 volt power supply will have longer drying times than dryers operating on 240 volt power supply.

Grounding requirements - Electric dryer (USA)



WARNING

Improper grounding of the laundry center may cause serious injury or death. Check with a licensed electrician if you are in doubt as to whether the appliance is properly grounded.

For a grounded, cord-connected dryer:

1. The dryer **MUST** be grounded. In the event of a malfunction or breakdown, grounding will reduce the risk of electrical shock by a path of least resistance for electrical current.
2. After you purchase and install a 3 wire or 4 wire power supply cord having an equipment-grounding conductor and a grounding plug that matches you wiring system, the plug **MUST** be plugged into an appropriate, copper wired receptacle that is properly installed and grounded in accordance with all local codes and ordinances. If in doubt, call a licensed electrician.
3. **DO NOT** modify the plug you've installed on this appliance. If it will not fit the outlet, have a proper outlet installed by a qualified electrician.

For a permanently connected dryer:

The dryer **MUST** be connected to a grounded metal, permanent wiring system; or an equipment grounding conductor must be run with the circuit conductors and connected to the equipment-grounding terminal or lead on the appliance.

Installation Requirements

Grounding requirements - Electric dryer (Canada)



WARNING

Improper grounding of the laundry center may cause serious injury or death. Check with a licensed electrician if you are in doubt as to whether the appliance is properly grounded.

For a grounded, cord-connected dryer:

1. The laundry center **MUST** be grounded. In the event of a malfunction or breakdown, grounding will reduce the risk of electrical shock by a path of least resistance for electrical current.
2. Since your laundry center is equipped with a power supply cord having an equipment-grounding conductor and a grounding plug, the plug must be plugged into an appropriate outlet that is properly installed and grounded in accordance with all local codes and ordinances. If in doubt, call a licensed electrician.
3. **DO NOT** modify the plug provided with this appliance. If it will not fit the outlet, have a proper outlet installed by a qualified electrician.

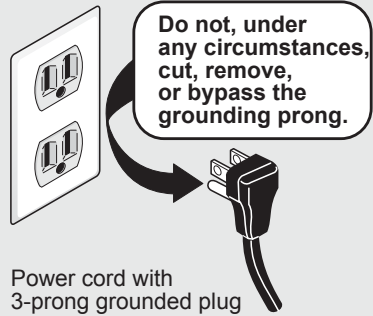
Grounding requirements - Gas dryer (USA and Canada)



WARNING

Improper grounding of the laundry center may cause serious injury or death. Check with a licensed electrician if you are in doubt as to whether the appliance is properly grounded.

Grounding type wall receptacle



1. The laundry center is equipped with a three-prong (grounding) plug for your protection against shock hazard and should be plugged directly into a properly grounded three-prong receptacle.
2. The plug must be plugged into an appropriate outlet that is properly installed and grounded in accordance with all local codes and ordinances. If in doubt, call a licensed electrician.
3. **DO NOT** modify the plug provided with this appliance. If it will not fit the outlet, have a proper outlet installed by a qualified electrician.

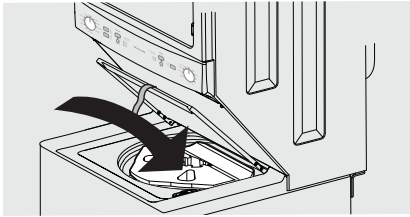
Unpacking Laundry Center

Unpacking Instructions

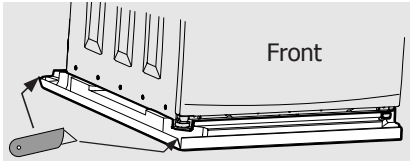
IMPORTANT

To prevent vibration, possible machine damage and maximize performance, the following steps must be completed.

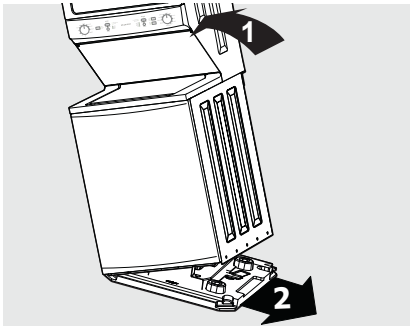
1. If foam tub block has been removed, reinsert it now and tape the lid securely.



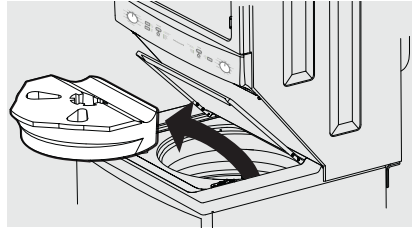
2. Carefully cut the front and back corners of the left side of the remaining cardboard.



3. With help from a second person, carefully tip the laundry center slightly to the left as shown in the picture below. Remove the foam shipping support from the base of the unit. Save packaging foam for future use.



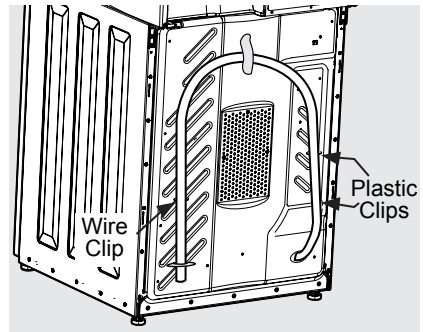
4. Carefully lower laundry center to an upright position and remove the tape holding the lid shut. Remove the foam tub block and other tub contents.



NOTE

If the laundry center is to be transported at a later date, the tub blocking pad, foam base and tub support should be retained.

5. From the back of the washer, remove the wire shipping clips securing the drain hose.
6. DO NOT remove the PLASTIC CLIPS which secure the drain hose to the right side of the washer back sheet. It helps form a standpipe to prevent water siphoning.



7. Carefully move the laundry center to within four (4) feet of the final location for the start of the installation.



CAUTION

EXCESSIVE WEIGHT HAZARD
To avoid back or other injury, have more than one person move or lift the appliance.

Installation Instructions

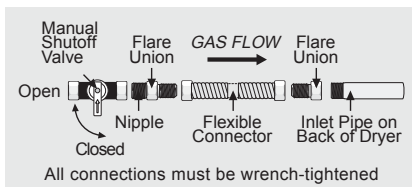
Gas connection

1. Remove the shipping cap from gas pipe at the rear of the dryer.

IMPORTANT

DO NOT connect the dryer to L.P. gas service without converting the gas valve. An L.P. conversion kit must be installed by a qualified gas technician.

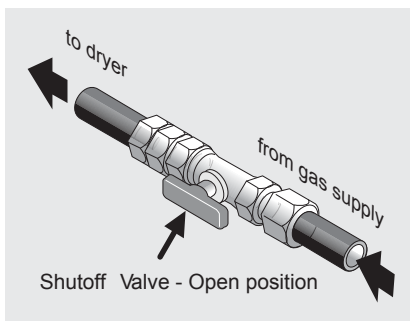
2. Connect a 1/2 inch (1.27 cm) I.D. semi-rigid or approved pipe from gas supply line to the 3/8 inch (0.96 cm) pipe located on the back of the dryer. Use a 1/2 inch to 3/8 inch (1.27 cm to 0.96 cm) reducer for the connection. Apply an approved thread sealer that is resistant to the corrosive action of liquefied gases on all pipe connections.



IMPORTANT

The supply line must be equipped with an approved manual shutoff valve. This valve should be located in the same room as the dryer and should be in a location that allows ease of opening and closing. DO NOT block access to the gas shutoff valve.

3. Open the shutoff valve in the gas supply line to allow gas to flow through the pipe. Wait a few minutes for gas to move through the gas line.



4. Check for gas system leaks with a manometer. If a manometer is not available, test all connections by brushing on a soapy water solution.

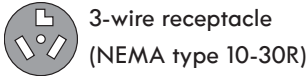


WARNING

EXPLOSION HAZARD
NEVER test for gas leaks with an open flame.

Installation Instructions

Electrical connection (non-Canada) - 3 wire cord

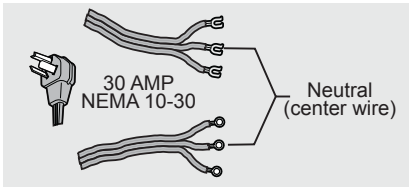


WARNING

ELECTRICAL SHOCK HAZARD

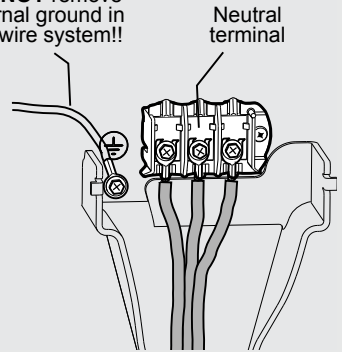
Failure to disconnect power source before servicing could result in personal injury or even death.

1. Turn off power supply to outlet.
2. Remove the screw securing the terminal block access cover on the back of the dryer.
3. Install a UL-approved strain relief according to the power cord/strain relief manufacturer's instructions in the power cord entry hole below the access panel. At this time, the strain relief should be loosely in place.
4. Thread an UNPLUGGED, UL-approved, 30 amp. power cord, NEMA 10-30 type SRDT, through the strain relief.



5. Attach the power cord neutral (center wire) conductor to the SILVER colored center terminal on the terminal block. Tighten the screw securely.
6. Attach the remaining two power cord outer conductors to the outer, BRASS colored terminals on the terminal block. Tighten both screws securely.

DO NOT remove internal ground in a 3-wire system!!



WARNING

ELECTRICAL SHOCK HAZARD
DO NOT make a sharp bend or crimp wiring/conductor at connections.

7. Follow manufacturer's guidelines for firmly securing the strain relief and power cord.
8. Reinstall the terminal block cover.

IMPORTANT

If moving dryer from a 4-wire system and installing it in a 3-wire system, move the internal ground from the center terminal back to the GREEN screw next to the terminal block.

Installation Instructions

Electrical connection (non-Canada) - 4 wire cord



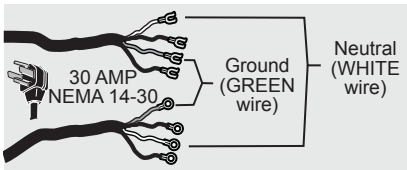
4-wire receptacle
(NEMA type 14-30R)



WARNING

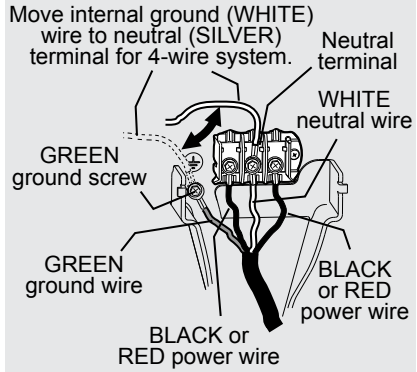
ELECTRICAL SHOCK HAZARD
Failure to disconnect power source before servicing could result in personal injury or even death.

1. Turn off power supply to outlet.
2. Remove the screw securing the terminal block access cover on the back of the dryer.
3. Install a UL-approved strain relief according to the power cord/strain relief manufacturer's instructions in the power cord entry hole below the access panel. At this time, the strain relief should be loosely in place.
4. Thread an UNPLUGGED, UL-approved, 30 amp. power cord, NEMA 14-30 type DRT or SRDT, through the strain relief.



5. Disconnect the internal (WHITE) dryer harness ground wire from the (GREEN) ground screw next to the terminal block.
6. Attach the ground (GREEN) power cord wire to the cabinet with the ground (GREEN) screw. Tighten the screw securely.
7. Move the internal dryer harness ground (WHITE) wire to the terminal block and attach it along with the neutral (WHITE) power cord wire conductor to the center, SILVER colored terminal on the terminal block. Tighten the screw securely.

8. Attach the RED and BLACK power cord conductors to the outer, BRASS colored terminals on the terminal block. Tighten both screws securely.



WARNING

ELECTRICAL SHOCK HAZARD
DO NOT make a sharp bend or crimp wiring/conductor at connections.

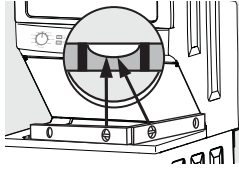
9. Follow manufacturer's guidelines for firmly securing the strain relief and power cord.
10. Reinstall the terminal block.

Installation Instructions

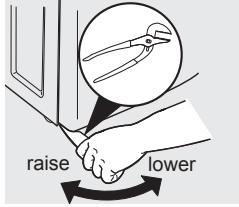
Leveling your laundry center

Excessive noise and vibration can be prevented by properly leveling the laundry center.

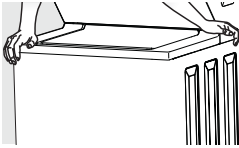
1. With the laundry center within 4 feet (1 m) of its final location, place a level on top of the washer lid.



2. Use adjustable pliers to adjust the leveling legs so the laundry center is level front-to-rear and side-to-side, and stable corner-to-corner.



3. Press down on alternate corners and sides and feel for the slightest movement.



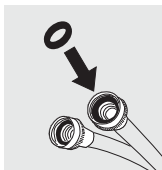
Adjust the leg(s) so the laundry center sits solidly on the floor on ALL four legs. Keep the leveling leg extension at a minimum for best performance of the washer.

Connecting inlet water

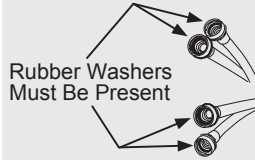
1. Run some water from the hot and cold faucets to flush the water lines and remove particles that might clog the water valve screens and to determine which faucet is hot and which is cold supply



2. Check to ensure that the inlet hoses have the rubber washer firmly in place.



Rubber Washers
Must Be Present

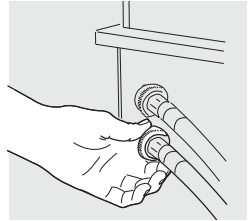


**USE ONLY
NEW HOSES**

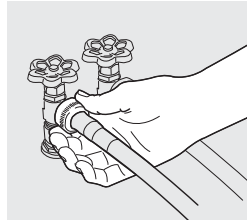
NOTE

Hoses are not included with laundry center purchase. See "Accessories" section for various inlet hose kits to fit your specific installation.

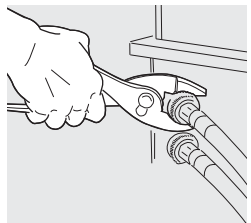
3. Connect the HOT inlet hose to the HOT inlet connection on the washer and the COLD inlet hose to the COLD inlet connection on the washer. Tighten by hand until snug. Then tighten each supply connection another 2/3 turn with pliers. **DO NOT cross thread or over-tighten these connections.**



4. Connect the HOT inlet hose to the HOT water supply and the COLD inlet hose to the COLD water supply. Tighten by hand until snug.



5. Tighten each supply connection another 2/3 turn with pliers. **DO NOT bend, kink, or pinch water inlet hoses.**

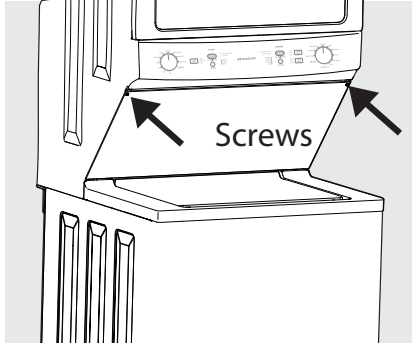


6. Turn on the water and check for leaks.

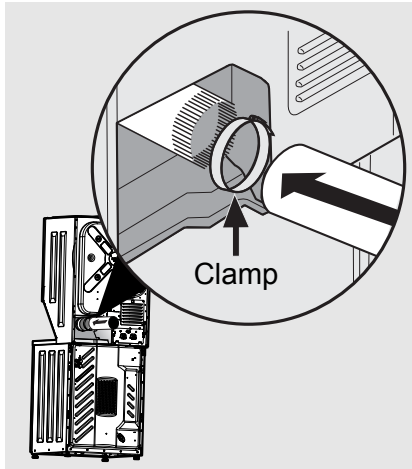
Installation Instructions

Connecting vent

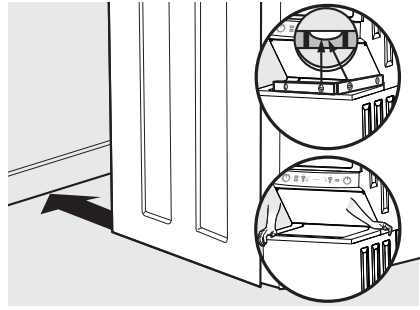
1. Remove the two screws securing the dryer front access panel to the dryer cabinet. Lift the panel until the tabs can be disengaged from the cabinet, remove the panel and set aside.



2. Connect the exhaust duct to the outside exhaust system. Use of a 4" (10.2 cm) clamp is recommended to connect the dryer to the exhaust vent system. Use metal foil tape to seal all other joints.

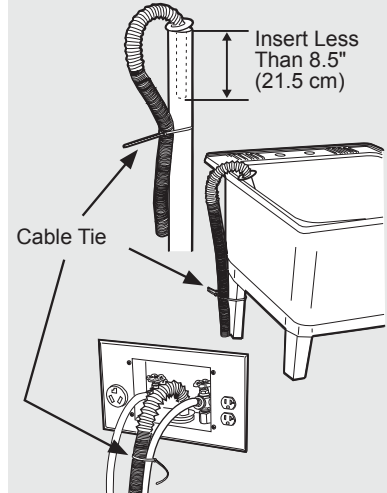


3. Reinstall the dryer front access panel.
4. Carefully slide the laundry center to its final position. Recheck for level and rock corners for stability.



Connecting drain and electrical

1. Form a "U" shape on the end of the drain hose with the hose pointed toward the drain. Place the formed end in a laundry tub or a standpipe and secure the drain hose with the cable tie (provided in the enclosure package) to the standpipe, inlet hose, laundry tub, etc. so the hose does not pull out from the force of the water.



NOTE

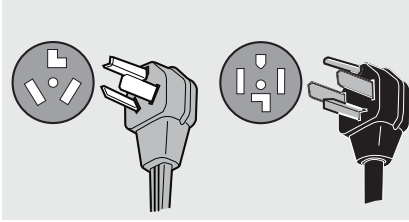
The standpipe inside diameter must be 1-1/4" (3.2 cm) minimum. There must be an air gap around the drain hose in the standpipe. A snug hose fit can cause a siphoning action.

Installation Instructions

IMPORTANT

Check to ensure the power is off at a circuit breaker/fuse box before plugging the power cord into an outlet.

2. Plug the power cord into a grounded outlet.



WARNING

Improper grounding of the laundry center may cause serious injury or death. Check with a licensed electrician if you are in doubt as to whether the appliance is properly grounded.

Grounding type wall receptacle

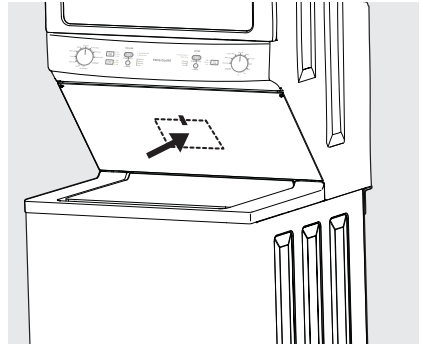


Do not, under any circumstances, cut, remove, or bypass the grounding prong.

Power cord with 3-prong grounded plug

3. Turn on the power at the circuit breaker/fuse box.
4. Read the Use & Care Guide provided with the laundry center. It contains valuable and helpful information that will save you time and money.
5. Run the washer through a complete cycle, checking for water leaks and proper operation.

6. If you have any questions during initial operation, please review the “Avoid Service Checklist” in your Use & Care Guide before calling for service.
7. Place these instructions in a location near the appliance for future reference.



NOTE

A wiring diagram and technical data sheet are located behind the dryer access panel.



WARNING

When discarding or storing your old laundry center, ALWAYS remove the washer and dryer doors.

Accessories and Replacement Parts

Accessories

LP CONVERSION KIT

P/N PCK3100

Gas dryers intended for use in a location supplied with LP must use a conversion kit prior to installation.

MOBILE HOME INSTALLATION KIT

P/N 137067200

Installation in a mobile home requires the use of a Mobile Home Installation Kit.

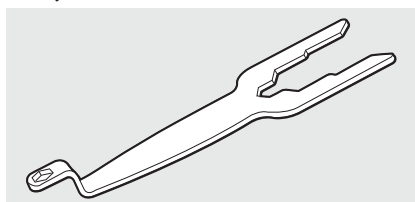
INLET HOSE KITS

Please call 866-233-8353 (in Canada, 800-265-8352) to explore hose kit options that will meet your specific installation needs.

UNIVERSAL APPLIANCE WRENCH

P/N 137019200

A Universal Appliance Wrench is available to aid in dryer/washer feet adjustment.



Universal Appliance Wrench

TOUCH UP PAINT PENS*

Classic White Touch Up Pen -
P/N 5304468812

Classic Slate Touch Up Pen -
P/N 5304475700

*Other colors may be available.
Contact the source where you
purchased your laundry center.

Replacement parts:

If replacements parts are needed for your laundry center, contact the source where you purchased your laundry center or refer to your Use and Care Guide for more information.



CAUTION

Failure to use accessories manufactured by (or approved by) the manufacturer could result in personal injury, property damage or damage to the washer.

Kenmore®

Customer Care Hotline

To schedule repair service or order parts

Para pedir servicio o ordenar piezas

1-844-553-6667

www.kenmore.com.



Installation Instructions
Instrucciones de Instalación
English / Español

Models/Modelos: 417.6173*, 417.7173*

Kenmore[®] Laundry Center

Centro de lavado

* = Color number, número de color

P/N: A13415001 (1801)
Sears Brands Management Corporation
Hoffman Estates, IL 60179 U.S.A.
www.kenmore.com
www.sears.com



Instrucciones de seguridad importantes

Índice

Instrucciones de seguridad importantes. 2-3
Requisitos para la instalación 3-14
Desembalaje del centro de lavado..... 15
Instrucciones de instalación 16-21
Accesorios y piezas de repuesto..... 22



ADVERTENCIA

Por su seguridad siga la información contenida en este manual para minimizar el riesgo de incendio o explosión y evitar daños en las propiedades, lesiones personales o incluso pérdida de vidas. Conserve estas instrucciones.



ADVERTENCIA PELIGRO DE INCENDIO

Lea todas las instrucciones antes de instalar y utilizar este aparato.

- Destruya la caja de cartón y las bolsas de plástico una vez desembalado el centro de lavado. Los niños podrían utilizarlas para jugar. Las cajas de cartón cubiertas con esterillas, colchas o láminas de plástico pueden convertirse en cámaras herméticas y provocar asfixia. Coloque todos los materiales en un contenedor de basuras o fuera del alcance de los niños.
- La instalación y revisión del centro de lavado debe ser realizada por un instalador cualificado, un servicio de reparación o la empresa proveedora de gas.
- Instale el aparato de conformidad con las instrucciones del fabricante y los códigos locales.
- El servicio eléctrico del aparato deberá cumplir los códigos y ordenanzas locales y la última edición del National Electrical Code, ANSI/NFPA 70, o en Canadá, el Canadian Electrical Code CSA C22.1.
- El servicio de gas de la secadora deberá cumplir los códigos y ordenanzas locales y la última edición del National Fuel Gas Code NFPA 54/ANSI Z223.1 o, en Canadá, el Natural Gas and Propane Installation Code CSA B149.1. Deberá instalarse una válvula de desconexión manual individual a un máximo de 1,83 m (6 pies) de la secadora, de conformidad con el National Fuel Gas Code, NFPA 54/ANSI Z223.1.
- El centro de lavado está diseñado de conformidad con las normas ANSI Z21.5.1 o UL 2158 - CAN/CSA C22.2 No. 112 y UL 2157 - CSA C22.2 No. 169 (últimas ediciones) solo para USO DOMÉSTICO. Este centro de lavado no está recomendado para aplicaciones comerciales como restaurantes, salones de belleza, etc.
- NO instale una secadora de ropa con material de ventilación de lámina de aluminio flexible o de plástico flexible. Es sabido que los materiales de ventilación flexibles se desmoronan, se aplastan fácilmente y atrapan pelusa. Estas condiciones obstruyen el flujo de aire en la secadora de ropa y aumentan el riesgo de incendio.
- Las instrucciones de este manual y cualquier otra publicación incluida con este aparato no están previstas para cubrir todas las posibles condiciones y situaciones que puedan darse. Es NECESARIO aplicar la precaución y las buenas prácticas de seguridad al instalar, poner en funcionamiento y realizar el mantenimiento de cualquier aparato.

Instrucciones de seguridad importantes



ADVERTENCIA

Lea todas las instrucciones antes de utilizar este centro de lavado.

Definiciones

⚠ Este es el símbolo de alerta de seguridad. Se utiliza para alertarle de potenciales peligros de lesiones personales. Obedezca todos los mensajes de seguridad que aparezcan después de este símbolo para evitar posibles lesiones o incluso la muerte.



PELIGRO

PELIGRO indica una situación inminente y peligrosa que, de no evitarse, producirá la muerte o lesiones graves.



ADVERTENCIA

ADVERTENCIA indica una situación potencialmente peligrosa que, de no evitarse, puede llegar a producir la muerte o lesiones graves.



PRECAUCIÓN

PRECAUCIÓN indica una situación potencialmente peligrosa que, de no evitarse, puede producir lesiones menos graves o moderadas.

IMPORTANTE

IMPORTANTE indica información sobre instalación, funcionamiento o mantenimiento que es importante pero no está relacionada con peligros.

GUARDE ESTAS INSTRUCCIONES PARA CONSULTAS FUTURAS

Requisitos para la instalación



PRECAUCIÓN

PELIGRO DE PESO EXCESIVO

Para evitar lesiones en la espalda o de otro tipo, el aparato debe ser levantado o trasladado por más de una persona.

Requisitos previos a la instalación

Herramientas y materiales necesarios para la instalación:

- Alicates ajustables
- Destornilladores Phillips, recto y cuadrado
- Llave inglesa
- Llave de tubo para el suministro de gas (Secadora de gas)
- Cinta de hilo resistente al LP (secadora de gas natural o LP)
- Nivel de carpintero
- Campana de ventilación exterior
- Conducto de salida de metal rígido o semirrígido de 102 mm (4 pulgadas)
- Kit de cable de 3 o 4 hilos 240 voltios (secadora eléctrica)
- Abrazadera de 102 mm (4")
- Válvula de cierre de la tubería de gas (secadora de gas)
- Adaptadores de unión abocinada NPT 1/2 (x2) y tubo flexible de suministro de gas (secadora de gas)
- Cinta de aluminio (no cinta de embalar)
- Tubos de entrada de agua (x2)

NOTA

El precio de la lavadora no incluye mangueras. Consulte la sección "Accesorios" para ver los distintos kits de mangueras de entrada adecuados a su instalación concreta.

NOTA

Debido a la posible falta de voltaje constante, no se recomienda el uso de esta secadora con alimentación mediante generadores de gas, solares, eólicos u otro tipo de generador distinto del suministrado por su empresa de electricidad local.

Requisitos para la instalación



LISTA DE COMPROBACIÓN PARA LA INSTALACIÓN

Materiales de embalaje y envío

- Sujeción de espuma para envío (en el interior del tambor) retirada y guardada
- Sujeción de espuma para envío (bajo el aparato) retirada y guardada

Nivelado

- El centro de lavado está nivelado, de lado a lado y de frontal a trasera
- El mueble se apoya bien en todas las esquinas

Suministro de agua

- Utilice solo mangueras nuevas y compruebe que estén colocadas las arandelas de goma de sellado
- El suministro de agua CALIENTE está conectado a la entrada de agua CALIENTE y la de agua FRÍA, a la entrada de agua FRÍA
- Suministro de agua CALIENTE y FRÍA conectados
- Las conexiones del suministro de agua y las conexiones de entrada del aparato no presentan pérdidas; volver a comprobar en 24 horas

Desagüe

- Tubería vertical o desagüe de pared, altura mínima 33"
- Manguera dedesagüe fijado con brida para cables (se entrega en el tambor)

Salida de ventilación

- Con flujo libre, sin acumulación de pelusa
- Conducto rígido o semirrígido de 102 mm (4 pulgadas) con mínima longitud y curvas
- SIN material de plástico o papel de aluminio
- Campana de extracción autorizada con salida al exterior

Suministro de gas (Secadora de gas)

- Válvula de cierre manual presente en el suministro
- Todas las conexiones selladas con sellador aprobado y apretadas con llave
- Kit de conversión para sistema de LP
- Suministro de gas abierto
- No hay fugas en ninguna conexión (comprobar con agua jabonosa, NUNCA con llama)

Fuente de alimentación de 240 v (secadora eléctrica)

- Cable de servicio homologado NEMA 10-30R o 14-30R con todos los tornillos apretados en la regleta de bornas
- Aprietacable homologado instalado
- Cubierta de acceso al terminal instalada antes de la operación inicial

Alimentación eléctrica

- Corriente eléctrica de la vivienda encendida
- Centro de lavado conectado

Comprobaciones finales

- Instrucciones de instalación y Guía de uso y mantenimiento: leer atentamente
- El agua entra en el tambor al iniciar el ciclo con la tapa bajada
- La puerta de la secadora queda bien cerrada y el tambor gira al comenzar el ciclo
- Tarjeta de registro enviada

Requisitos para la instalación

Requisitos eléctricos del centro de lavado con secadora eléctrica

CIRCUITO - Circuito de derivación individual de 30 amperios con fusibles o disyuntor de 30 amperios con retardo.

FUENTE DE ALIMENTACIÓN - 3 o 4 hilos, 240 voltios, monofase, 60 Hz, corriente alterna.

IMPORTANTE

Este centro de lavado tiene conexión interna neutra a tierra salvo unidades para venta en Canadá.

Solo se utilizará cable de 4 conductores cuando el aparato se instale en un lugar en el que esté prohibido realizar la conexión a tierra a través del conductor neutro. Está prohibido realizar la conexión a tierra a través del enlace neutro para: (1) nuevas instalaciones con circuito de derivación, (2) viviendas móviles, (3) vehículos de recreo y (4) áreas en las que los códigos locales NO permitan la conexión a tierra a través del conductor neutro.

TOMA DE CORRIENTE - NEMA 10-30R o NEMA 14-30R situado de modo que el cable de alimentación quede accesible cuando la secadora quede instalada en su posición.

CONEXIÓN A TIERRA - Ver "Requisitos de conexión a tierra" en la sección Instalación eléctrica.



ADVERTENCIA

Una inadecuada conexión a tierra en el centro de lavado puede provocar lesiones graves o la muerte. Consulte a un electricista cualificado en caso de duda sobre si el aparato está adecuadamente conectado a tierra.

Tomacorriente de pared con conexión a tierra



Bajo ninguna circunstancia corte, extraiga o desvíe las patas de conexión a tierra.



Cable de alimentación con enchufe de tres patas con conexión a tierra

KIT DE CABLE DE ALIMENTACIÓN DE 3 HILOS (no suministrado)



Toma de 3 hilos (NEMA tipo 10-30R)

La secadora DEBERÁ utilizar un cable de alimentación de 3 conductores NEMA 10-30 tipo SRDT para corriente alterna de 240 voltios y 30 amperios nominales como mínimo, con 3 conectores de pala con extremo abierto con extremos girados hacia arriba o conectores de bucle cerrado y marcados para uso con secadoras de ropa. Para instrucciones de conexión con cable de 3 hilos, consulte **CONEXIONES ELÉCTRICAS PARA UN SISTEMA DE 3 HILOS**.

KIT DE CABLE DE ALIMENTACIÓN DE 4 HILOS (no suministrado)



Toma de 4 hilos (NEMA tipo 14-30R)

La secadora DEBERÁ utilizar un cable de alimentación de 4 conductores NEMA 14-30 tipo SRDT o DRT (según se precise) para corriente alterna de 240 voltios y 30 amperios nominales como mínimo, con 4 conectores de pala con extremo abierto con extremos girados hacia arriba o conectores de bucle cerrado y marcados para uso con secadoras de ropa. Para instrucciones de conexión con cable de 4 hilos, consulte **CONEXIONES ELÉCTRICAS PARA UN SISTEMA DE 4 HILOS**.

Requisitos para la instalación

NOTA

Los centros de lavado fabricados para venta en Canadá tienen instalado de fábrica un cable de alimentación de 4 hilos (NEMA 14-30R).

Requisitos eléctricos del centro de lavado con secadora de gas



ADVERTENCIA

Una inadecuada conexión a tierra en el centro de lavado puede provocar lesiones graves o la muerte. Consulte a un electricista cualificado en caso de duda sobre si el aparato está adecuadamente conectado a tierra.

Tomacorriente de pared con conexión a tierra



Bajo ninguna circunstancia corte, extraiga o desvíe las patas de conexión a tierra.



Cable de alimentación con enchufe de tres patas con conexión a tierra

CIRCUITO - Circuito de derivación individual de 15 amperios adecuadamente polarizado y conectado a tierra con fusible o disyuntor de 15 amperios con retardo.

FUENTE DE ALIMENTACIÓN - 2 hilos, con conexión a tierra 120 voltios, monofase, 60 Hz, corriente alterna.

CABLE DE ALIMENTACIÓN - La secadora está equipada con un cable de alimentación de 3 hilos y 120 voltios.

CONEXIÓN A TIERRA - Ver "Requisitos de conexión a tierra" en la sección Instalación eléctrica.

Requisitos del suministro de gas



ADVERTENCIA

PELIGRO DE EXPLOSIÓN

Los tubos de cobre sin recubrir se corroen al exponerse a gas natural, provocando pérdidas de gas. Utilice SOLO tubería de hierro negro, acero inoxidable o latón con recubrimiento de plástico para suministro de gas.

1. La instalación DEBERÁ cumplir las normas locales o, de no haberlas, con el Código Nacional de Gas Combustible, ANSI Z223.1 (última edición).
2. La entrada de gas deberá ser una tubería de 1,27 cm (1/2 pulgada).
3. Si los códigos lo permiten, puede utilizarse tubería de metal flexible para conectar la secadora al suministro de gas. La tubería DEBERÁ estar fabricada de acero inoxidable o latón con recubrimiento plástico.
4. La tubería de suministro de gas DEBERÁ tener una válvula de cierre individual instalada de conformidad con el Código de Instalación de Gas Natural y Propano, B149.1.
5. DEBERÁ instalarse una conexión roscada con enchufe N.P.T. de 0,32 cm (1/8 de pulgada), accesible para pruebas inmediatamente después de la conexión de suministro de gas a la secadora.
6. La secadora DEBERÁ desconectarse del sistema de tubería de suministro de gas durante las comprobaciones de presión del sistema de tubería de suministro de gas a presiones de prueba superiores a 3,45 kPa (1/2 psig).
7. La secadora DEBERÁ aislarse del sistema de tubería de suministro de gas durante las comprobaciones de presión del sistema de tubería de suministro de gas a presiones de prueba iguales o inferiores a 3,45 kPa (1/2 psig).
8. Las conexiones para el suministro de gas deberán cumplir la Norma para Conectores de Aparatos de Gas, ANSI Z21.24 - CSA 6.10.

Requisitos para la instalación

Requisitos de suministro de agua

Las llaves de agua fría y caliente DEBERÁN instalarse a menos de 107 cm (42 pulgadas) de la entrada de agua de la lavadora. Las llaves DEBERÁN ser de 1,9 cm (3/4 de pulgada) con roscado para conexión a manguera de lavado. La presión de agua DEBERÁ ser entre 10 psi (0,69 bares) y 120 psi (8,27 bares). La diferencia de presión entre caliente y fría no puede ser de más de 10 psi. El servicio de aguas podrá asesorarle sobre su presión de agua.

NOTA

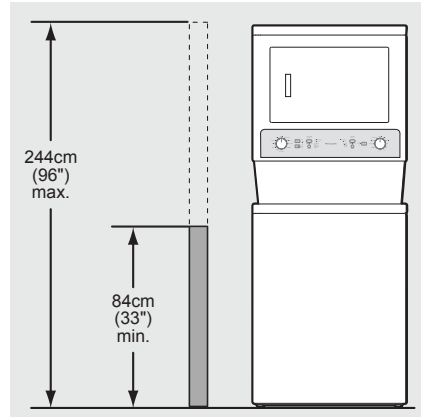
Las lavadoras conectadas a suministros de agua con presión de entrada baja tendrán tiempos de llenado más prolongados y es posible que no completen los ciclos con la misma rapidez.

Requisitos del sistema de desagüe

1. Desagüe capaz de eliminar 64,3 l (17 galones) por minuto.
2. Tubería de subida con un diámetro mínimo de 3,18 cm (1-1/4").
3. La altura de la tubería de subida por encima del suelo deberá ser:
 - Altura mínima: 84 cm (33")
 - Altura máxima: 244 cm (96")

NOTA

Para instalaciones que precisen una manguera de desagüe más larga, recurra a un técnico cualificado para instalar una manguera de desagüe más larga (según su número de modelo) disponible en distribuidores de recambios autorizados. Para sistemas de desagüe en el suelo, instale un kit de interruptor de sifón disponible en su ferretería local.



Requisitos del sistema de extracción

Utilice solo conducto metálico rígido o flexible de 102 mm (4 pulgadas) de diámetro y campana de ventilación aprobada con registro(es) giratorios que se abren cuando la secadora está en funcionamiento. Al detenerse la secadora, los registros se cierran automáticamente para evitar corrientes y la entrada de insectos y roedores. Para evitar limitar el flujo de salida, mantenga un espacio mínimo de 30,5 cm (12 pulgadas) entre la campana de ventilación y el suelo o cualquier otra obstrucción.



ADVERTENCIA

PELIGRO DE INCENDIO

No seguir estas instrucciones puede aumentar los tiempos de secado y producir riesgo de incendio.

A continuación se detallan los requisitos específicos para el funcionamiento correcto y seguro de su secadora.

Requisitos para la instalación

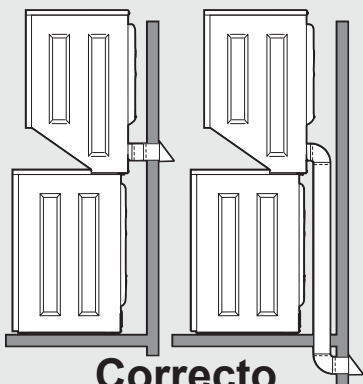


ADVERTENCIA

PELIGRO DE INCENDIO

NO instale una secadora de ropa con materiales de ventilación de lámina de metal o de plástico flexible. Es sabido que los materiales de ventilación flexibles se desmoronan, se aplastan fácilmente y atrapan pelusa. Estas condiciones obstruyen el flujo de aire en la secadora de ropa y aumentan el riesgo de incendio.

Si su sistema actual está realizado con conducto de plástico o de hoja metálica, sustitúyalo por conducto metálico rígido o semirrígido. Compruebe también que el conducto actual esté libre de pelusas antes de instalar el conducto de la secadora.



Correcto



Incorrecto



ADVERTENCIA

PELIGRO DE INCENDIO

La secadora de ropa debe tener extracción al exterior. **NO** evacue la secadora a una chimenea, pared, techo, ático, cámara inferior u otro espacio oculto de un edificio. Una secadora de ropa produce pelusa combustible. Si la secadora no evacua al exterior, algo de pelusa fina pasará al área de lavado. La acumulación de pelusa en cualquier área del hogar puede constituir un riesgo para la salud y de incendio.

La secadora deberá estar conectada a una extracción exterior. **Antes de instalar su secadora nueva**, inspeccione la abertura de la extracción exterior y retire cualquier posible acumulación de pelusa alrededor de la abertura y en el área cercana.



ADVERTENCIA

PELIGRO DE INCENDIO

No respetar estrictamente las advertencias de seguridad puede provocar lesiones graves, muerte o daños en la propiedad.

NO instale un ventilador de refuerzo en el conducto de extracción.

Instale la secadora de ropa de conformidad con las instrucciones de instalación de este manual.

Requisitos para la instalación



ADVERTENCIA

PELIGRO DE INCENDIO

- **NO** permita que materiales combustibles (por ejemplo: prendas, visillos/cortinas, papel) entren en contacto con el sistema de extracción. La extracción de la secadora **NO DEBERÁ** ser a una chimenea, pared, techo u otro espacio oculto de un edificio, ya que puede acumularse pelusa con el consiguiente riesgo de incendio.
- **NO** proteja los extremos de extracción del sistema de ventilación ni utilice tornillos, remaches u otros cierres que lleguen al interior del conducto para montar el sistema de extracción. Es posible que quede pelusa atrapada en la protección, tornillos o remaches, atascando el conducto y creando peligro de incendio, además de prolongar los tiempos de secado. Utilice una campana de ventilación autorizada como terminación exterior del conducto y selle todas las juntas con cinta metálica. Todos los equipos con tubería macho **DEBERÁN** instalarse hacia la descarga del flujo de aire.



ADVERTENCIA

PELIGRO DE INCENDIO

- **NO** instale material de ventilación de lámina de aluminio flexible o de plástico flexible.
- Si instala un conducto de ventilación semirrígido, **NO** supere los 8 pies (2,4 m) de longitud.



ADVERTENCIA

PELIGRO DE INCENDIO

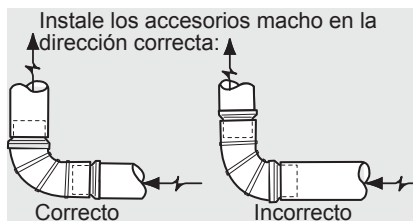
- **No** respetar estrictamente las advertencias de seguridad puede provocar lesiones graves, muerte o daños en las propiedades.
- **NO** instale un ventilador de refuerzo en el conducto de extracción de la secadora.
- Instale la secadora de ropa de conformidad con las instrucciones de instalación de este manual.



ADVERTENCIA

PELIGRO DE INCENDIO

Superar la longitud de la tubería o el número de codos permitido en las tablas "LONGITUD MÁXIMA" puede provocar acumulación de pelusa en el sistema de extracción. Taponar el sistema puede crear riesgo de incendio y aumentar los tiempos de secado.



Número de vueltas de 90°	LONGITUD MÁXIMA de 102 mm (4") conducto metálico rígido	
	TIPO DE CAMPANA DE VENTILACIÓN	
	(Preferido)	
	10,2 cm (4")	de listones 6,35 cm (2,5")
0	17 m (56 pies)	13 m (42 pies)
1	14,5 m (48 pies)	10,5 m (34 pies)
2	12 m (40 pies)	8 m (26 pies)
3	9,5 m (32 pies)	5,5 m (18 pies)

En instalaciones en las que los gráficos no describan el sistema de extracción, deberá utilizarse el siguiente método para determinar si el sistema de extracción es aceptable:

1. Conecte un manómetro inclinado o digital entre la secadora y el punto en el que la extracción se conecta a la secadora.
2. Ajuste el temporizador y temperatura de la secadora a secado por aire (enfriado) y ponga la secadora en funcionamiento.
3. Lea la medición en el manómetro.

Requisitos para la instalación

4. La contrapresión del sistema **NO DEBERÁ** ser superior a **0,6 pulgadas de la columna de agua**. Si la contrapresión del sistema es inferior a **0,6 pulgadas de la columna de agua**, el sistema es aceptable. Si la lectura del manómetro es superior a **0,6 pulgadas de la columna de agua**, el sistema es demasiado restrictivo y la instalación es inaceptable.

Aunque es aceptable una orientación vertical del sistema de extracción, determinadas circunstancias podrían llegar a afectar el rendimiento de la secadora.

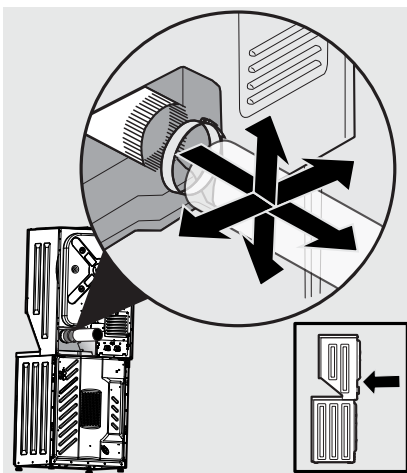
- Debería utilizarse solamente conducto metálico rígido.
- Ventilar verticalmente a través de un tejado puede exponer el sistema de extracción a corrientes hacia abajo, lo que aumentaría la restricción de la ventilación.
- Hacer funcionar el sistema de extracción a través de un área sin aislamiento puede provocar condensación y una acumulación más rápida de pelusa.
- La compresión o apretado del sistema de extracción provocará un aumento en la restricción de la ventilación.
- El sistema de extracción deberá inspeccionarse y limpiarse al menos cada 18 meses de uso normal. Cuanto más se utilice la secadora, mayor deberá ser la frecuencia de inspección del funcionamiento del sistema de extracción y de la campana de ventilación.

Dirección de la extracción

La extracción del centro de lavado puede ser de cuatro (4) maneras con instalación a ras posterior:

1. Recto atrás.
2. Abajo (20,3 cm [8 pulgadas] de longitud de diámetro de 102 mm [4 pulgadas] de conducto rígido y 1 codo abajo).
3. Izquierda (20,3 cm [8 pulgadas] de longitud de diámetro de 102 mm [4 pulgadas] de conducto rígido, 1 codo abajo y 1 codo izquierda).

4. Derecha (20,3 cm [8 pulgadas] de longitud de diámetro de 102 mm [4 pulgadas] de conducto rígido, 1 codo abajo y 1 codo derecha).



Es posible instalar una campana de extracción alineada con la extracción de la secadora directamente al otro lado de la pared exterior. Para que la extracción sea a un lado o abajo, añada un tramo de 20,3 cm (8 pulgadas) de conducto estándar de 102 mm (4 pulgadas) de diámetro y un codo de 90°.

Para que la extracción sea hacia arriba, añada un tramo de 28 cm (11 pulgadas) de conducto estándar de 102 mm (4 pulgadas) de diámetro y un codo de 90°. La unidad se colocará a alrededor de 11,5 cm (4,5 pulgadas) de la pared (la extracción puede realizarse al ras de la pared yendo debajo de la secadora y después a un lado).

Véase también *Requisitos de holgura* en estas instrucciones.

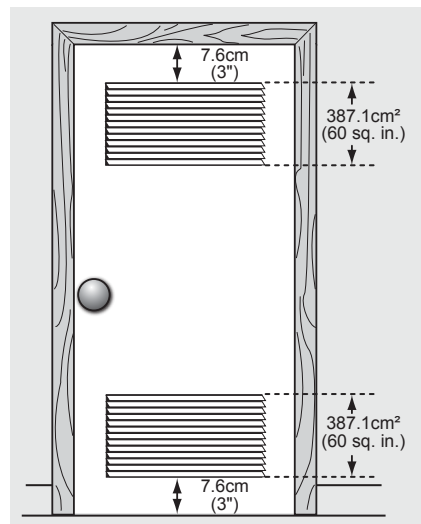
Requisitos para la instalación

Instalación en viviendas prefabricadas o móviles

1. La instalación DEBERÁ cumplir la actual norma Manufactured Home Construction & Safety Standard, Título 24 CFR Parte 3280 (antes Federal Standard for Mobile Home Construction and Safety, Título 24, HUD Parte 280) o la norma Standard CAN/CSA-Z240 MH.
2. La secadora DEBERÁ tener extracción al exterior (fuera, no debajo de la vivienda móvil) utilizando conductos de metal resistentes a la combustión. El conducto metálico deberá tener 10,16 cm (4 pulgadas) de diámetro sin obstrucciones. Es preferible un conducto de metal rígido. Los conductos de extracción deberán estar bien sujetos a una parte no combustible de la estructura de la vivienda móvil.
3. Si la secadora realiza la extracción a través del suelo y el área bajo la vivienda móvil es cerrada, el sistema de extracción DEBERÁ terminar fuera del área cerrada con la terminación firmemente fijada a la estructura de la vivienda móvil.
4. Consulte las secciones anteriores de esta guía para conocer otros requisitos importantes del sistema de ventilación de extracción.
5. Al instalar una secadora de gas en una vivienda móvil, debe hacerse provisión de entrada de aire exterior. Esta provisión no deberá ser inferior al doble del área de la salida de extracción de la secadora.
6. El instalador DEBERÁ anclar el centro de lavado al suelo con el Kit de instalación para viviendas móviles N/P 137067200.

Instalación en nicho o armario

1. Una secadora instalada en un dormitorio, baño, nicho o armario DEBERÁ tener salida al exterior.
2. No se instalará ningún otro aparato quemador de combustible en el mismo armario que la secadora de gas.
3. Su secadora necesita el espacio alrededor para una adecuada ventilación.
4. NO instale su secadora en un armario con puerta maciza.
5. Ventilación necesaria para la puerta del armario: Se precisa una abertura mínima de 774,2 cm² (120 pulgadas cuadradas), dividida por igual en la parte superior e inferior de la puerta. Las aberturas estarán situadas a 7,6 cm (3 pulgadas) de la parte inferior y superior de la puerta. Si se instala una puerta, deberá tener aberturas sin obstrucciones. Es aceptable una puerta de listones con aberturas de aire equivalentes para toda la longitud de la puerta.



Requisitos para la instalación

Requisitos de holgura

HOLGURAS MÍNIMAS PARA LA INSTALACIÓN - Pulgadas (cm)				
	LATERALES	POSTERIOR	SUPERIOR	FRONTAL
Huevo	0" (0 cm)	0" (0 cm)	1" (2.5 cm)	n/a
Armario	0" (0 cm)	0" (0 cm)	1" (2.5 cm)	1" (2.5 cm)



ADVERTENCIA

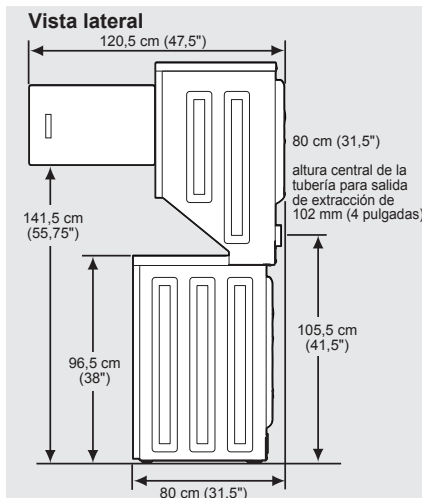
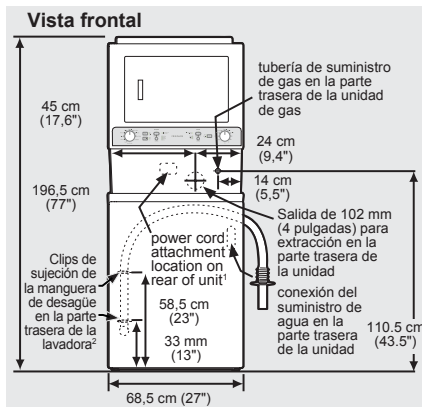
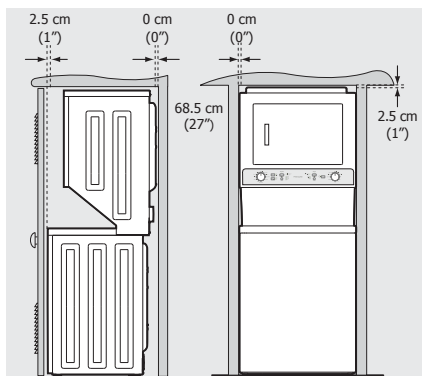
PELIGRO DE EXPLOSIÓN

NO instale el centro de lavado en un lugar donde se almacene o guarde gasolina u otros productos inflamables. Si el centro de lavado se instala en un garaje, la parte de secadora deberá estar a un mínimo de 45,7 cm (18 pulgadas) sobre el suelo. Lo contrario puede provocar la muerte, explosión, incendio o quemaduras.

IMPORTANTE

NO INSTALE SU CENTRO DE LAVADO:

- En un área expuesta a goteo de agua o a las condiciones atmosféricas del exterior. La temperatura ambiente nunca deberá ser inferior a 15,6° C (60° F) para maximizar la efectividad del detergente.
- En un área en la que entre en contacto con cortinas, visillos o cualquier cosa que obstruya el flujo del aire de combustión y ventilación.
- Sobre moqueta o alfombra. El suelo DEBERÁ ser sólido con una pendiente máxima de a 2,5 cm (1 pulgad). Para minimizar la vibración o movimiento puede ser necesario reforzar el suelo.



¹ Longitud del cable de alimentación de la unidad de gas de aproximadamente 152,5 cm (60 pulgadas).

² Longitud de la manguera de desagüe suelta más allá de la abrazadera aproximadamente 131 cm (51,5 pulgadas).

Requisitos para la instalación

Instalación eléctrica

A continuación se detallan los requisitos específicos para la instalación eléctrica correcta y segura de su secadora. No seguir estas instrucciones puede crear riesgos de descarga eléctrica y/o incendio.



ADVERTENCIA

PELIGRO DE DESCARGA ELÉCTRICA

- Este aparato **DEBERÁ** estar adecuadamente conectado a tierra. La falta de una adecuada conexión a tierra puede provocar descargas eléctricas. Siga las instrucciones de este manual para realizar una adecuada conexión a tierra.
- **NO** utilice cables alargadores con esta secadora. Algunos cables alargadores no están diseñados para soportar las cantidades de corriente eléctrica que utiliza esta secadora y pueden fundirse, produciendo un peligro de descarga eléctrica y/o incendio. Sitúe la secadora al alcance de la toma de corriente con la longitud del cable de alimentación que adquiere, dejando un poco de holgura. Consulte los requisitos previos a la instalación en este manual para conocer el cable adecuado que adquirir.



ADVERTENCIA

PELIGRO DE DESCARGA ELÉCTRICA

- Deberá instalarse un aprietacable con homologación U.L. en el cable de alimentación. De no instalarse el aprietacable, el cable puede desenchufarse de la secadora y cortarse por el movimiento del cable, lo que produciría una descarga eléctrica.
- **NO** utilice una toma con hilos de aluminio con cable de alimentación y enchufe con hilos de cobre (ni viceversa). La reacción química entre el cobre y el aluminio puede provocar cortocircuitos. La combinación adecuada es un cable de alimentación con hilos de cobre y una toma con hilos de cobre.

NOTA

Las secadoras con fuente de alimentación de 208 voltios tienen tiempos de secado más largos que las que tienen fuente de alimentación de 240 voltios.

Requisitos de conexión a tierra - Secadora eléctrica (EE. UU.)



ADVERTENCIA

Una inadecuada conexión a tierra en el centro de lavado puede provocar lesiones graves o la muerte. Consulte a un electricista cualificado en caso de duda sobre si el aparato está adecuadamente conectado a tierra.

Para una secadora con conexión a tierra y conectada con cable:

1. La secadora **DEBERÁ** estar conectada a tierra. En caso de fallo o avería, la conexión a tierra reducirá el riesgo de descarga eléctrica mediante una vía de menor resistencia para la corriente eléctrica.
2. Después de comprar e instalar un cable eléctrico de tres o cuatro hilos, con conductor de conexión a tierra del equipo y enchufe con conexión a tierra adecuado para su sistema de cableado, el enchufe **DEBERÁ** enchufarse a una toma de corriente adecuada con hilos de cobre, debidamente instalada y conectada a tierra de acuerdo con todos los códigos y ordenanzas locales. En caso de duda, póngase en contacto con un electricista cualificado.
3. **NO** modifique el enchufe que ha instalado en este aparato. Si no se adapta a la toma de corriente, haga que un electricista cualificado instale una toma adecuada.

Para una secadora con conexión permanente:

La secadora **DEBERÁ** estar conectada a un sistema de cableado permanente de metal con conexión a tierra, o bien deberá utilizarse un conductor de conexión a tierra para el equipo con los conductores de circuitos y conectarse a la terminal de conexión a tierra del equipo o cable del aparato.

Requisitos para la instalación

Requisitos de conexión a tierra - Secadora eléctrica (Canadá)



ADVERTENCIA

Una inadecuada conexión a tierra en el centro de lavado puede provocar lesiones graves o la muerte. Consulte a un electricista cualificado en caso de duda sobre si el aparato está adecuadamente conectado a tierra.

Para una secadora con conexión a tierra y conectada con cable:

1. El centro de lavado DEBERÁ estar conectado a tierra. En caso de fallo o avería, la conexión a tierra reducirá el riesgo de descarga eléctrica mediante una vía de menor resistencia para la corriente eléctrica.
2. Como su centro de lavado está equipado con cable eléctrico con conductor de conexión de equipos a tierra y enchufe con conexión a tierra, el enchufe deberá enchufarse a una toma de corriente adecuada, debidamente instalada y conectada a tierra de acuerdo con todos los códigos y ordenanzas locales. En caso de duda, póngase en contacto con un electricista cualificado.
3. NO modifique el enchufe suministrado con este aparato. Si no se adapta a la toma de corriente, haga que un electricista cualificado instale una toma adecuada.

Requisitos de conexión a tierra - Secadora de gas (EE. UU. y Canadá)



ADVERTENCIA

Una inadecuada conexión a tierra en el centro de lavado puede provocar lesiones graves o la muerte. Consulte a un electricista cualificado en caso de duda sobre si el aparato está adecuadamente conectado a tierra.

Tomacorriente de pared con conexión a tierra



Bajo ninguna circunstancia corte, extraiga o desvíe las patas de conexión a tierra.



Cable de alimentación con enchufe de tres patas con conexión a tierra

1. El centro de lavado está equipado con un enchufe de tres clavijas (con conexión a tierra) para su protección contra riesgos eléctricos y deberá enchufarse directamente en una toma eléctrica adecuada con conexión a tierra.
2. El enchufe deberá conectarse a una toma adecuada debidamente instalada y con conexión a tierra de conformidad con todos los códigos y ordenanzas locales. En caso de duda, póngase en contacto con un electricista cualificado.
3. NO modifique el enchufe suministrado con este aparato. Si no se adapta a la toma de corriente, haga que un electricista cualificado instale una toma adecuada.

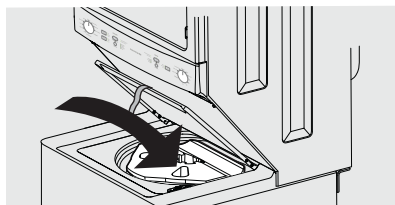
Desembalaje del centro de lavado

Instrucciones de desembalaje

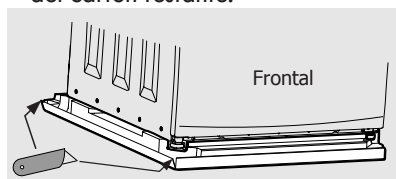
IMPORTANTE

Para evitar vibraciones y posibles daños en la máquina y para maximizar el rendimiento, deberán llevarse a cabo los siguientes procedimientos.

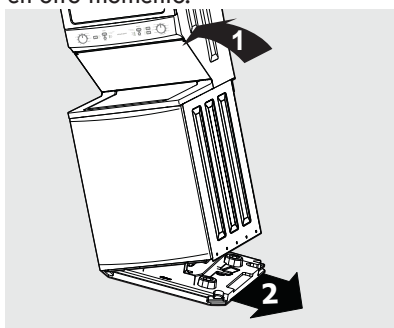
1. Si se ha retirado el bloque de espuma de la cuba, vuelva a insertarlo ahora y cierre bien la tapa con cinta.



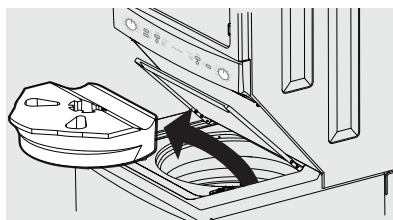
2. Corte cuidadosamente las esquinas delantera y trasera del lado izquierdo del cartón restante.



3. Con ayuda de otra persona, incline con cuidado el centro de lavado hacia la izquierda según se muestra en la siguiente imagen. Retire el soporte de goma para transporte de la base de la unidad. Guarde la espuma de embalaje para utilizarla en otro momento.



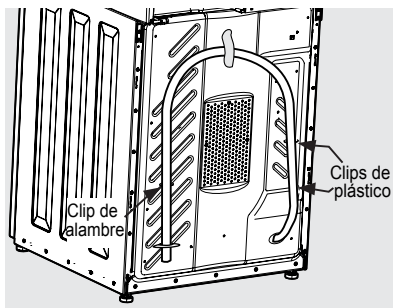
4. Baje con cuidado el centro de lavado a una posición vertical y retire la cinta que mantiene cerrada la tapa. Retire el bloque de espuma de la cuba y el resto de contenido de la cuba.



NOTA

Si el centro de lavado va a transportarse posteriormente, conserve la almohadilla de bloqueo de la cuba, la base de espuma y el soporte de la cuba.

5. Desde la parte posterior de la lavadora, retire los clips de los alambres de embalaje que protegen la manguera de desagüe.
6. NO retire los CLIPS DE PLÁSTICO que protegen la manguera de desagüe a la derecha de la lámina posterior de la lavadora. Ayuda a formar una tubería vertical que evita el efecto sifón.



7. Mueva con cuidado el centro de lavado a menos de 35 cm de la ubicación final para comenzar la instalación.



PRECAUCIÓN

PELIGRO DE PESO EXCESIVO
Para evitar lesiones en la espalda o de otro tipo, el aparato debe ser levantado o trasladado por más de una persona.

Instrucciones de instalación

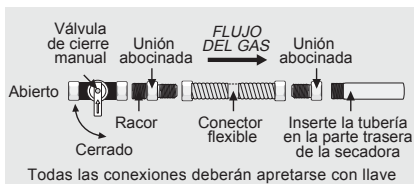
Conexión del gas

1. Retire la tapa para el transporte de la tubería de gas de la parte trasera de la secadora.

IMPORTANTE

NO conecte la secadora al servicio de gas L.P. sin convertir la válvula de gas. Haga que un técnico de gas cualificado instale un kit de conversión para L.P.

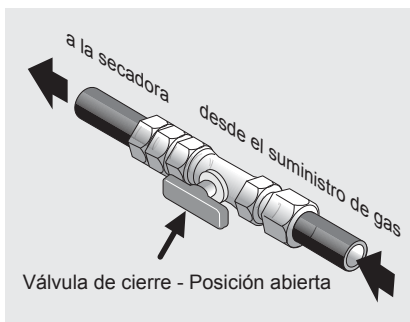
2. Conecte una tubería I.D. semirrígida u homologada de 1,27 cm (1/2 pulgada) desde el conducto de suministro de gas a la tubería de 0,96 cm (3/8 de pulgada) situada en la parte posterior de la secadora. Utilice un reductor de 1,27 cm a 0,96 cm (1/2 pulgada a 3/8 de pulgada) para la conexión. Aplique un sellador de rosca aprobado resistente a la acción corrosiva de los gases licuados en todas las conexiones de tuberías.



IMPORTANTE

El conducto de suministro deberá estar equipado con una válvula de cierre manual. Esta válvula deberá estar ubicada en la misma habitación que la secadora y deberá estar en una ubicación que facilite su apertura y cierre. NO bloquee el acceso a la válvula de cierre del gas.

3. Abra la válvula de cierre del conducto de suministro de gas para que el gas fluya por la tubería. Espere unos minutos a que el gas se mueva por el conducto de gas.



4. Compruebe si hay pérdidas de gas con un manómetro. Si no dispone de manómetro, compruebe todas las conexiones con una solución de agua jabonosa.



ADVERTENCIA

PELIGRO DE EXPLOSIÓN
EN NINGÚN CASO compruebe si hay pérdidas de gas con una llama abierta.

Instrucciones de instalación

Conexión eléctrica (no Canadá) - cable de 3 hilos



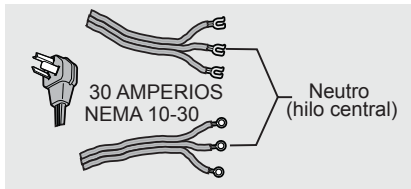
Toma de 3 hilos
(NEMA tipo 10-30R)



ADVERTENCIA

PELIGRO DE DESCARGA ELÉCTRICA
No desconectar la fuente de alimentación antes de realizar tareas de servicio puede provocar lesiones personales o incluso la muerte.

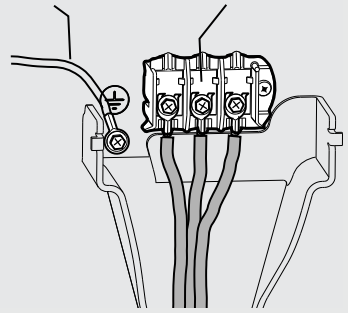
1. Desconecte la fuente de alimentación de la salida.
2. Retire el tornillo que fija la cubierta de acceso a la regleta de bornas de la parte posterior de la secadora.
3. Instale un aprietacable con homologación UL siguiendo las instrucciones del fabricante del cable de alimentación/aprietacable en el orificio de entrada del cable de alimentación bajo el panel de acceso. De momento, el aprietacable deberá quedar colocado sin apretar.
4. Ensarte un cable de alimentación de 30 amperios con homologación UL, **NO CONECTADO A LA RED**, NEMA 10-30 tipo SRDT por el aprietacable.



5. Conecte el conductor neutro (hilo central) del cable de alimentación al terminal central de color PLATA en la regleta de bornas. Apriete bien el tornillo.
6. Conecte los dos conductores exteriores restantes del cable de alimentación a los terminales exteriores de color COBRE de la regleta de bornas. Apriete bien los dos tornillos.

¡¡NO quite la conexión a tierra interna en un sistema de 3 conectores!!

Terminal neutro



ADVERTENCIA

PELIGRO DE DESCARGA ELÉCTRICA
NO doble excesivamente ni apriete los hilos/conductores en las conexiones.

7. Siga las orientaciones del fabricante para fijar bien el aprietacable y el cable de alimentación.
8. Vuelva a instalar la cubierta de la regleta de bornas.

IMPORTANTE

Si traslada la secadora de un sistema de 4 hilos para instalarlo en un sistema de 3 hilos, ponga el hilo de tierra interior del terminal central en el tornillo VERDE junto a la regleta de bornas.

Instrucciones de instalación

Conexión eléctrica (no Canadá) - cable de 4 hilos



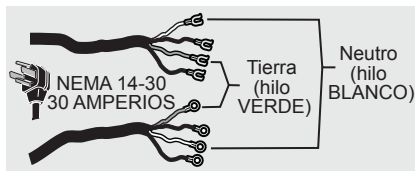
4-wire receptacle
(NEMA type 14-30R)



ADVERTENCIA

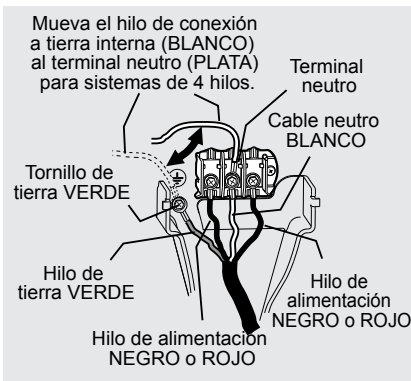
PELIGRO DE DESCARGA ELÉCTRICA
No desconectar la fuente de alimentación antes de realizar tareas de servicio puede provocar lesiones personales o incluso la muerte.

1. Desconecte la fuente de alimentación de la salida.
2. Retire el tornillo que fija la cubierta de acceso a la regleta de bornas de la parte posterior de la secadora.
3. Instale un aprietacable con homologación UL siguiendo las instrucciones del fabricante del cable de alimentación/aprietacable en el orificio de entrada del cable de alimentación bajo el panel de acceso. De momento, el aprietacable deberá quedar colocado sin apretar.
4. Ensarte un cable de alimentación de 30 amperios con homologación UL, NO CONECTADO A LA RED, NEMA 14-30 tipo DRT o SRDT por el aprietacable.



5. Desconecte el hilo de tierra interior (BLANCO) del mazo de la secadora del tornillo de tierra (VERDE) junto a la regleta de bornas.
6. Conecte el hilo de tierra (VERDE) del cable de alimentación al armario con el tornillo de tierra (VERDE). Apriete bien el tornillo.

7. Mueva el hilo de tierra interior (BLANCO) del mazo de la secadora y conéctelo junto con el hilo conductor neutro (BLANCO) del cable de alimentación al terminal central de color PLATA de la regleta de bornas. Apriete bien el tornillo.
8. Conecte los conductores ROJO y NEGRO del cable de alimentación a los terminales exteriores de color COBRE de la regleta de bornas. Apriete bien los dos tornillos.



ADVERTENCIA

PELIGRO DE DESCARGA ELÉCTRICA
NO doble excesivamente ni apriete los hilos/conductores en las conexiones.

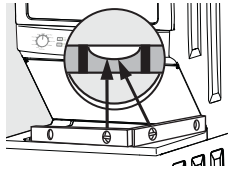
9. Siga las orientaciones del fabricante para fijar bien el aprietacable y el cable de alimentación.
10. Vuelva a instalar la regleta de bornas.

Instrucciones de instalación

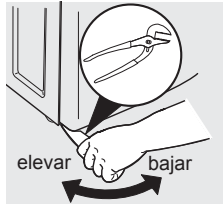
Nivelación de su centro de lavado

Es posible evitar un ruido y vibración excesivos nivelando correctamente el centro de lavado.

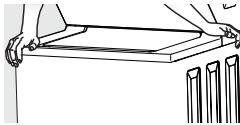
1. Con el centro de lavado a menos de 4 pies (1 metro) de su ubicación permanente, coloque un nivel sobre la tapa de la lavadora.



2. Utilice alicates ajustables para ajustar las patas de nivelación de modo que el centro de lavado esté nivelado desde delante hacia detrás y de lado a lado, y estable de esquina a esquina.

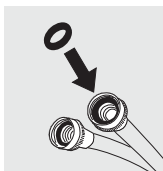
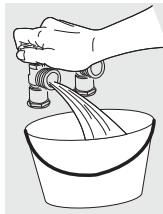


3. Presione hacia abajo en distintas esquinas y lados para comprobar si existe el menor movimiento. Ajuste la(s) pata(s) correspondiente(s) de modo que el centro de lavado quede bien apoyado sobre LAS CUATRO patas. Mantenga al mínimo la extensión de la pata de nivelación para conseguir el mejor resultado de la lavadora.



Conexión de la entrada de agua

1. Haga correr agua de las llaves de agua caliente y fría para vaciar las tuberías y eliminar partículas que podrían atascar los filtros de la válvula de agua y para determinar cuál es la llave de agua caliente y de fría.
2. Compruebe que las arandelas de goma de las mangueras de entrada estén bien colocadas.



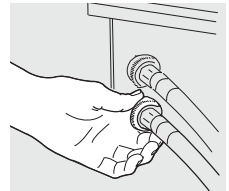
Arandelas de goma deben estar presentes

Utilice solamente las mangueras nuevas

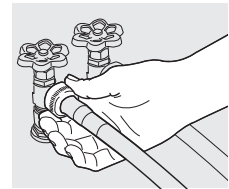
NOTA

El precio del centro de lavado no incluye mangueras. Consulte la sección "Accesorios" para ver los distintos kits de mangueras de entrada adecuados a su instalación concreta.

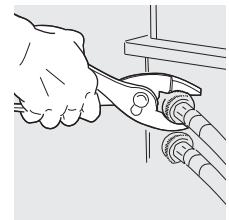
3. Conecte la manguera de entrada CALIENTE a la conexión de entrada CALIENTE y la manguera de entrada FRÍA a la conexión de entrada FRÍA de la lavadora. Apriete a mano hasta que queden bien ajustadas. A continuación apriete cada conexión de suministro otros 2/3 de vuelta con los alicates. **NO fuerce la rosca ni apriete excesivamente estas conexiones.**



4. Conecte la manguera de entrada CALIENTE al suministro de agua CALIENTE y la manguera de entrada FRÍA al suministro de agua FRÍA. Apriete a mano hasta que queden bien ajustadas.



5. Apriete cada conexión de suministro otros 2/3 de vuelta con los alicates. **NO doble, dañe ni pince las mangueras de entrada de agua.**

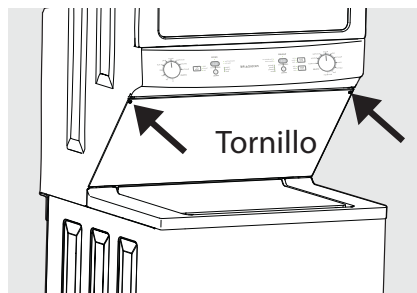


6. Abra el agua y compruebe si hay pérdidas.

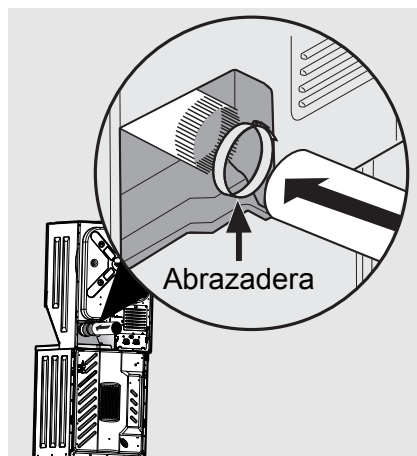
Instrucciones de instalación

Conexión de la ventilación

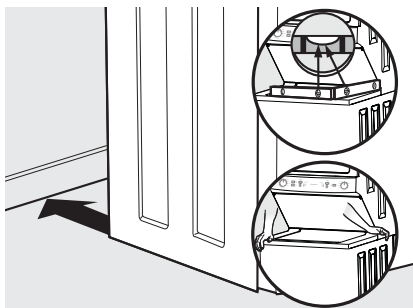
1. Retire los dos tornillos que fijan el panel de acceso delantero de la secadora al armario de la secadora. Levante el panel hasta que pueda soltar las pestañas del armario, retire el panel y déjelo a un lado.



2. Conecte el conducto de extracción al sistema de extracción exterior. Se recomienda utilizar una abrazadera de 10,2 cm (4") para conectar la secadora al sistema de ventilación de salida. Utilice cinta de aluminio para sellar todas las demás juntas.

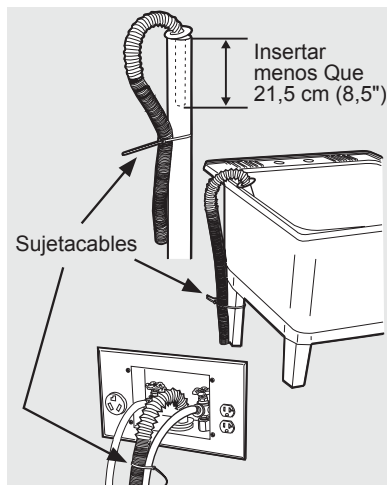


3. Vuelva a colocar el sistema de acceso delantero de la secadora.
4. Deslice cuidadosamente el centro de lavado en su posición definitiva. Vuelva a comprobar el nivel y empuje esquinas para comprobar la estabilidad.



Conexión de desagüe y eléctrica

1. Haga una forma de "U" en el extremo de la manguera de desagüe con la manguera apuntando hacia el desagüe. Coloque el extremo a que ha dado forma en una cuba de lavado o en una tubería vertical y fije la manguera de desagüe con la brida para cables (incluida en el paquete del conjunto) a la tubería vertical, manguera de entrada, cuba de lavado, etc. de modo que la manguera no se suelte por la fuerza del agua.



NOTA

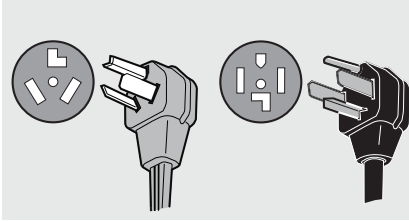
El diámetro interior de la tubería vertical deberá ser de al menos 3,2 cm (1-1/4"). Deberá haber una holgura entre la manguera de desagüe y la tubería vertical. Una manguera apretada puede provocar efecto de sifón.

Instrucciones de instalación

IMPORTANTE

Compruebe que no haya corriente en un disyuntor/caja de fusibles antes de enchufar el cable en una toma de corriente.

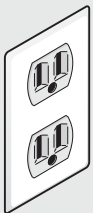
2. Enchufe el cable eléctrico a una toma de corriente conectada a tierra.



ADVERTENCIA

Una inadecuada conexión a tierra en la secadora puede provocar lesiones graves o la muerte. Consulte a un electricista cualificado en caso de duda sobre si el aparato está adecuadamente conectado a tierra.

Tomacorriente de pared con conexión a tierra



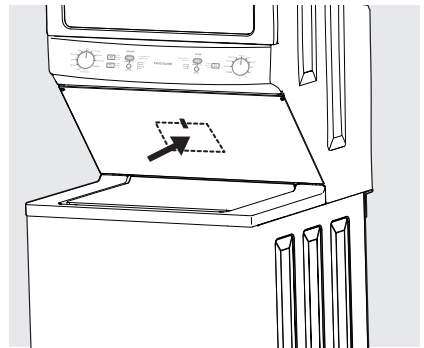
Bajo ninguna circunstancia corte, extraiga o desvíe las patas de conexión a tierra.

Cable de alimentación con enchufe de tres patas con conexión a tierra



3. Encienda el interruptor del disyuntor/caja de fusibles.
4. Consulte la *Guía de uso y mantenimiento* que se entrega con el centro de lavado. Contiene valiosa información útil que le ahorrará tiempo y dinero.

5. Haga funcionar la lavadora durante un ciclo completo comprobando si hay pérdidas de agua y si todo funciona correctamente.
6. Si tiene alguna pregunta durante la primera puesta en funcionamiento, repase la "Lista de comprobación para evitar llamadas al servicio técnico" en su *Guía de uso y mantenimiento* antes de solicitar asistencia técnica.
7. Guarde estas instrucciones cerca del aparato para futuras consultas.



NOTA

Encontrará un diagrama de cableado y una hoja de datos técnicos detrás del panel de acceso posterior de la secadora.



ADVERTENCIA

Al deshacerse o almacenar su centro de lavado viejo, retire SIEMPRE las puertas de la lavadora y secadora.

Accesorios y piezas de repuesto

Accesorios

KIT DE CONVERSIÓN PL N/P PCK3100

Las secadoras de gas previstas para utilizar en una ubicación con suministro de LP deberán utilizar un kit de conversión antes de la instalación.

KIT DE INSTALACIÓN EN VIVIENDAS MÓVILES -N/P 137067200

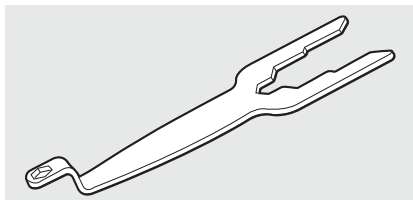
La instalación en una vivienda móvil precisa el uso de un KIT DE INSTALACIÓN EN VIVIENDAS MÓVILES.

KITS DE MANGUERA DE ENTRADA

Llame al 866-233-8353 (en Canadá, 800-265-8352) para conocer los kits opcionales adecuados para sus necesidades de instalación concretas.

LLAVE UNIVERSAL PARA ELECTRODO- MÉSTICOS - N/P 137019200

Está a la venta una LLAVE UNIVERSAL PARA ELECTRODOMÉSTICOS para facilitarle el ajuste de las patas de la lavadora/secadora.



Llave universal para electrodos domésticos

ROTULADORES DE PINTURA DE RETOQUE*

Rotulador de retoque clásico blanco -
N/P 5304468812

Rotulador de retoque clásico pizarra -
N/P 5304475700

**Puede haber otros colores disponibles.
Contacte con el establecimiento donde
adquirió su centro de lavado.*



PRECAUCIÓN

Si no utiliza accesorios fabricados o autorizados por el fabricante, pueden producirse lesiones personales y daños en la propiedad o en la lavadora.

Piezas de repuesto:

Si precisa recambios para su centro de lavado, póngase en contacto con el establecimiento donde adquirió su centro de lavado o consulte la Guía de uso y mantenimiento para obtener más información.

Kenmore®

Customer Care Hotline

To schedule repair service or order parts

Para pedir servicio o ordenar piezas

1-844-553-6667

www.kenmore.com.

