
INSTALLATION INSTRUCTIONS

30" (76 CM) FREESTANDING ELECTRIC RANGES

Table of Contents

RANGE SAFETY2

INSTALLATION REQUIREMENTS.....3

 Tools and Parts.....3

 Location Requirements.....4

 Electrical Requirements5

INSTALLATION INSTRUCTIONS.....6

 Unpack Range.....6

 Install Anti-Tip Bracket.....6

 Electrical Connection8

 Verify Anti-Tip Bracket Is Installed and Engaged 11

 Level Range.....11

 Storage Drawer11

 Oven Door11

 Complete Installation12

 Moving the Range.....12

IMPORTANT:
Save for local electrical inspector's use.

RANGE SAFETY

Your safety and the safety of others are very important.

We have provided many important safety messages in this manual and on your appliance. Always read and obey all safety messages.



This is the safety alert symbol.

This symbol alerts you to potential hazards that can kill or hurt you and others.

All safety messages will follow the safety alert symbol and either the word "DANGER" or "WARNING."

These words mean:

⚠ DANGER

You can be killed or seriously injured if you don't immediately follow instructions.

⚠ WARNING

You can be killed or seriously injured if you don't follow instructions.

All safety messages will tell you what the potential hazard is, tell you how to reduce the chance of injury, and tell you what can happen if the instructions are not followed.

⚠ WARNING

Tip Over Hazard

A child or adult can tip the range and be killed.

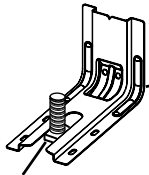
Install anti-tip bracket to floor or wall per installation instructions.

Slide range back so rear range foot is engaged in the slot of the anti-tip bracket.

Re-engage anti-tip bracket if range is moved.

Do not operate range without anti-tip bracket installed and engaged.

Failure to follow these instructions can result in death or serious burns to children and adults.



Anti-Tip Bracket

Range Foot

To verify the anti-tip bracket is installed and engaged:

- Slide range forward.
- Look for the anti-tip bracket securely attached to floor or wall.
- Slide range back so rear range foot is under anti-tip bracket.
- See installation instructions for details.

INSTALLATION REQUIREMENTS

Tools and Parts

Gather the required tools and parts before starting installation. Read and follow the instructions provided with any tools listed here.

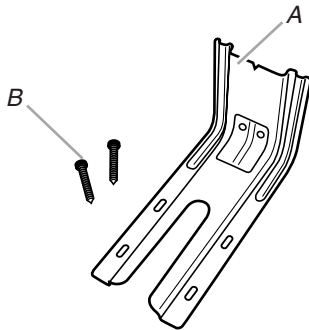
Tools needed

- Tape measure
- Flat-blade screwdriver
- Phillips screwdriver
- Level
- Hammer
- Hand or electric drill
- Wrench or pliers
- Marker or pencil
- Masking tape
- 1/4" drive ratchet
- 1/4" nut driver
- 3/8" and 5/16" nut driver
- 1/8" (3.2 mm) drill bit (for wood floors)
- Tin snips or large wire cutters (for cutting ground strap if necessary)

Parts supplied

Check that all parts are included.

- 10-32 hex nuts (attached to terminal block) (3)
- Terminal lugs (3)



A. Anti-tip bracket
B. #12 x 1⁵/₈" screws (2)

- Anti-tip bracket must be securely mounted to floor or wall. Thickness of flooring may require longer screws to anchor bracket to floor.

Parts needed

If using a power supply cord kit:

- A certified 60245 or 60227 IEC 53 (minimum) supply cord set marked for use with ranges. The cord should be rated 300/300V minimum, 6 mm² for 220V or 10 mm² for 230V, that is marked for use with nominal 1³/₈" (3.5 cm) diameter connection opening and must end in ring terminals or open-end spade terminals with upturned ends. The earthing conductor must be longer than the other conductors present.
- Supply cords for appliances other than class III appliances shall be one of the following types:
 - Rubber sheathed
Their properties shall be at least those of ordinary tough rubber sheathed cords (code designation 60245 IEC 53).
NOTE 1: These cords are not suitable for appliances intended to be used outdoors or when they are liable to be exposed to significant amounts of ultraviolet radiation.

- Polychloroprene sheathed
Their properties shall be at least those of ordinary polychloroprene sheathed cords (code designation 60245 IEC 57).
NOTE 2: These cords are suitable for appliances intended to be used in low temperature applications.
- Polyvinyl chloride sheathed
These cords shall not be used if they are likely to touch metal parts having a temperature rise exceeding 75 K. Their properties shall be at least those of
 - light polyvinyl chloride sheathed cord (code designation 60227 IEC 52), for appliances having a mass not exceeding 3 kg;
 - ordinary polyvinyl chloride sheathed cord (code designation 60227 IEC 53), for other appliances.
- Heat resistant polyvinyl chloride sheathed
These cords shall not be used for type X attachment other than specially prepared cords
Their properties shall be at least those of
 - heat-resistant light polyvinyl chloride sheathed cord (code designation 60227 IEC 56), for appliances having a mass not exceeding 3 kg;
 - heat-resistant polyvinyl chloride sheathed cord (code designation 60227 IEC 57), for other appliances.
- Halogen-free, low smoke, thermoplastic insulated and sheathed
Their properties should be at least those of
 - light duty halogen-free low smoke flexible cable (code designation 62821 IEC 101 for circular cable and code designation 62821 IEC 101f for flat cable);
 - ordinary duty halogen-free, low smoke flexible cable (code designation 62821 IEC 102 for circular cable and code designation 62821 IEC 102f for flat cable).
- For appliances with supply cords, the arrangement of the terminals, or the length of the conductors between the cord anchorage and the terminals, shall be such that the current carrying conductors become taut before the earthing conductor if the cord slips out of the cord anchorage.
 - An IEC certified cord anchorage, which is suitable for use with the particular supply cord jacket material, sized for 6 mm² for 220V cords or 10 mm² for 230V cords; and installed in accordance with the manufacturers' installation instructions.

Check local codes. Check existing electrical supply. See the "Electrical Requirements" section.

It is recommended that ALL electrical connections be made by a licensed, qualified electrical installer.

If connecting to a 3-wire system:

- A certified 60245 or 60227 IEC 53 (minimum) supply cord set marked for use with ranges. The cord should be rated 300/300V minimum, 6 mm² for 220V or 10 mm² for 230V, that is marked for use with nominal 3.5 cm diameter connection opening and must end in ring terminals or open-end spade terminals with upturned ends, terminating in an IEC 60309 plug on the supply end. Connectors on the appliance end must be provided at the point the power supply cord enters the appliance. This uses a 3 wire receptacle of IEC 60309. The earthing conductor must be longer than the other conductors present.
- Supply cords for appliances other than class III appliances shall be one of the following types:
 - Rubber sheathed
Their properties shall be at least those of ordinary tough rubber sheathed cords (code designation 60245 IEC 53)
NOTE 1: These cords are not suitable for appliances intended to be used outdoors or when they are liable to be exposed to significant amounts of ultraviolet radiation.
 - Polychloroprene sheathed
Their properties shall be at least those of ordinary polychloroprene sheathed cords (code designation 60245 IEC 57)
NOTE 2: These cords are suitable for appliances intended to be used in low temperature applications.
 - Polyvinyl chloride sheathed
These cords shall not be used if they are likely to touch metal parts having a temperature rise exceeding 75 K. Their properties shall be at least those of
 - light polyvinyl chloride sheathed cord (code designation 60227 IEC 52), for appliances having a mass not exceeding 3 kg;
 - ordinary polyvinyl chloride sheathed cord (code designation 60227 IEC 53), for other appliances.
 - Heat resistant polyvinyl chloride sheathed
These cords shall not be used for type X attachment other than specially prepared cords
Their properties shall be at least those of
 - heat-resistant light polyvinyl chloride sheathed cord (code designation 60227 IEC 56), for appliances having a mass not exceeding 3 kg;
 - heat-resistant polyvinyl chloride sheathed cord (code designation 60227 IEC 57), for other appliances.
 - Halogen-free, low smoke, thermoplastic insulated and sheathed
Their properties should be at least those of
 - light duty halogen-free low smoke flexible cable (code designation 62821 IEC 101 for circular cable and code designation 62821 IEC 101f for flat cable);
 - ordinary duty halogen-free, low smoke flexible cable (code designation 62821 IEC 102 for circular cable and code designation 62821 IEC 102f for flat cable).
- For appliances with supply cords, the arrangement of the terminals, or the length of the conductors between the cord anchorage and the terminals, shall be such that the current carrying conductors become taut before the earthing conductor if the cord slips out of the cord anchorage.
 - An IEC certified cord anchorage, which is suitable for use with the particular supply cord jacket material, sized for 6 mm² for 220V cords or 10 mm² for 230V cords; and installed in accordance with the manufacturers' installation instructions.

Check local codes. Check existing electrical supply. See the "Electrical Requirements" section.

It is recommended that ALL electrical connections be made by a licensed, qualified electrical installer.

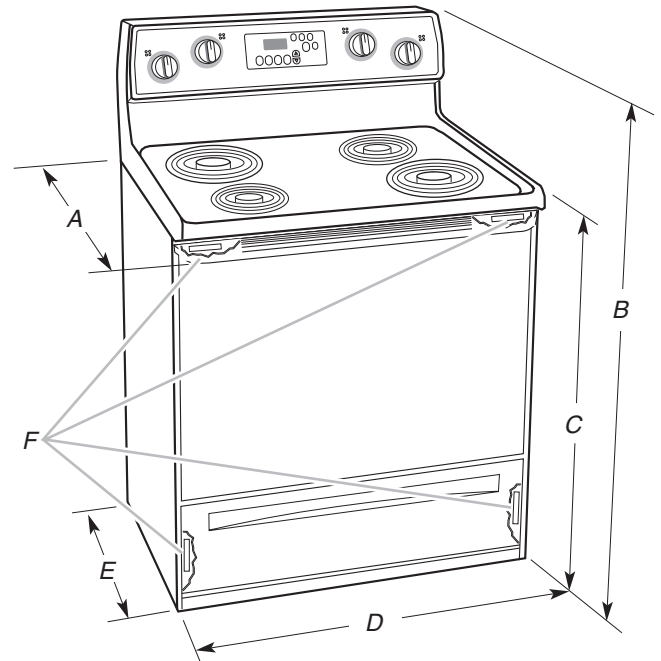
Location Requirements

IMPORTANT: Observe all governing codes and ordinances.

- It is the installer's responsibility to comply with installation clearances specified on the model/serial/rating plate. The model/serial/rating plate is located on the frame behind a top corner of the door or either side of the drawer.
- Cabinet opening dimensions that are shown must be used. Given dimensions are minimum clearances.
- The anti-tip bracket must be installed. To install the anti-tip bracket shipped with the range, see the "Install Anti-Tip Bracket" section.
- Grounded electrical supply is required. See the appropriate "Electrical Requirements" section.

IMPORTANT: To avoid damage to your cabinets, check with your builder or cabinet supplier to make sure that the materials used will not discolor, delaminate or sustain other damage. This oven has been designed in accordance with the requirements of the IEC and complies with the maximum allowable wood cabinet temperatures of 194°F (90°C).

Product Dimensions



- A. 27³/₄" (70.5 cm) max. depth with handle
- B. 46⁷/₈" (119.1 cm) overall height (max.) with leveling legs screwed all the way in*
- C. 36" (91.4 cm) cooktop height (max.) with leveling legs screwed all the way in*
- D. 29⁷/₈" (75.9 cm) width
- E. 25⁵/₁₆" (64.3 cm) depth - back of range to front of cooktop**
- F. Model/serial/rating plate (located on the frame behind a top corner of the door or either side of the drawer)

NOTE: This manual covers several models. Details of your range may differ from the range graphic shown above.

IMPORTANT: Range must be level after installation. Follow the instructions in the "Level Range" section. Using the cooktop as a reference for leveling the range is not recommended.

* Range can be raised approximately 1" (2.5 cm) by adjusting the leveling legs.

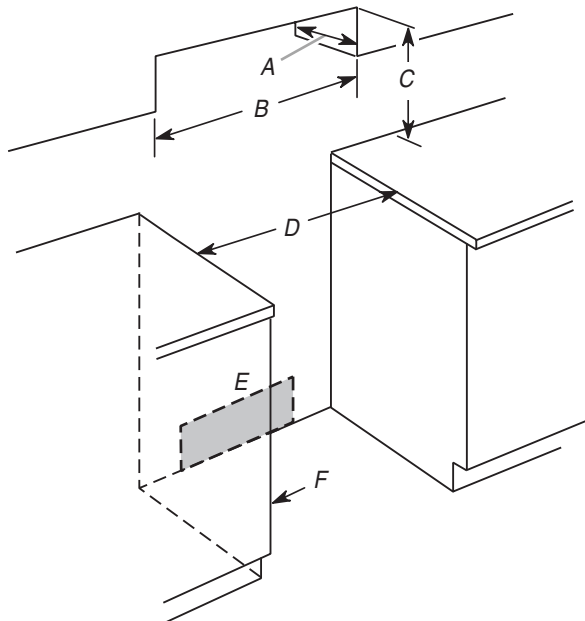
** Front of door and drawer may extend further forward depending on styling.

Cabinet Dimensions

Cabinet opening dimensions shown are for 25" (64.0 cm) countertop depth, 24" (61.0 cm) base cabinet depth and 36" (91.4 cm) countertop height.

IMPORTANT: If installing a range hood or microwave hood combination above the range, follow the range hood or microwave hood combination installation instructions for dimensional clearances above the cooktop surface.

A freestanding range may be installed next to combustible walls with zero clearance.



- A. 13" (33.0 cm) max. upper cabinet depth
- B. 30" (76.2 cm) min. opening width
- C. For minimum clearance to top of cooktop, see NOTE*
- D. 30¹/₈" (76.5 cm) min. opening width
- E. Outlet - 8" (20.3 cm) to 22" (55.9 cm) from either cabinet, 5¹/₂" (14.0 cm) max. from floor
- F. ⁷/₈" (2.2 cm) min. required between cutout and cabinet door or hinge.

* **NOTE:** 24" (61.0 cm) minimum when bottom of wood or metal cabinet is covered by not less than ¹/₄" (0.64 cm) flame retardant millboard covered with not less than No. 28 MSG sheet steel, 0.015" (0.4 mm) stainless steel, 0.024" (0.6 mm) aluminum or 0.020" (0.5 mm) copper.

30" (76.2 cm) minimum clearance between the top of the cooking platform and the bottom of an uncovered wood or metal cabinet.

Electrical Requirements

If codes permit and a separate ground wire is used, it is recommended that a qualified electrical installer determine that the ground path and wire gauge are in accordance with local codes.

Do not use an extension cord.

Be sure that the electrical connection and wire size are adequate and in conformance with all local codes and ordinances.

WARNING: Improper connection of the equipment-grounding conductor can result in a risk of electric shock. Check with a qualified electrician or service technician if you are in doubt as to whether the appliance is properly grounded. Do not modify the power supply cord plug. If it will not fit the outlet, have a proper outlet installed by a qualified electrician.

Electrical Connection

To properly install your range, you must determine the type of electrical connection you will be using and follow the instructions provided for it here.

- Range must be connected to the proper electrical voltage and frequency as specified on the model/serial/rating plate. The model/serial/rating plate is located on the frame behind a top corner of the door or either side of the drawer. Refer to the figures in "Product Dimensions" in the "Location Requirements" section.

Range Rating		Specified Rating of Power Supply Cord Kit and Circuit Protection
220 Volts	230 Volts	Amps
7.4 - 13.8 KW	8.1 - 15.1 KW	40 or 50*
13.9 - 18.9 KW	15.1 - 20.6 KW	50

* If connecting to a 50-amp circuit, use a 50-amp rated cord with kit. For 50-amp rated cord kits, use kits that specify use with a nominal ¹/₈" (34.9 mm) diameter connection opening.

- A circuit breaker is recommended.
- The range can be connected directly to the circuit breaker box (or fused disconnect) through flexible or nonmetallic sheathed, copper or aluminum cable. See the "Electrical Connection" section.
- Allow 2 to 3 ft (61.0 cm to 91.4 cm) of slack in the line so that the range can be moved if servicing is ever necessary.
- An IEC Approved conduit connector must be provided at each end of the power supply cable (at the range and at the junction box).
- Wire sizes and connections must conform with the rating of the range.
- The wiring diagram is located on the Tech Sheet.
- The Tech Sheet is located on the back of the range inside a clear plastic bag.

INSTALLATION INSTRUCTIONS

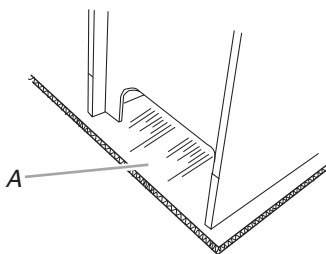
Unpack Range

! WARNING

Excessive Weight Hazard

Use two or more people to move and install range.
Failure to do so can result in back or other injury.

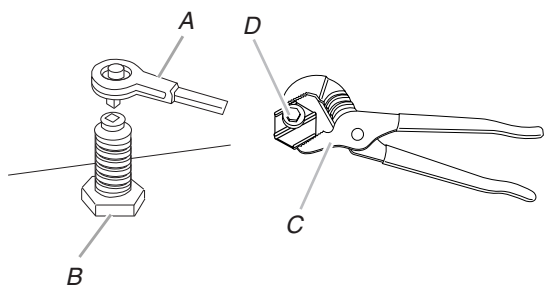
1. Remove shipping materials, tape, and film from range.
2. Remove oven racks and parts package from inside oven.
3. Do not remove the shipping base at this time.



A. Shipping base

On Ranges Equipped with a Storage Drawer:

Remove the storage drawer. See the "Storage Drawer" section. Use a 1/4" drive ratchet to lower the rear leveling legs one-half turn. Use a wrench or pliers to lower front leveling legs one-half turn.



- A. 1/4" drive ratchet
- B. Rear leveling leg
- C. Wrench or pliers
- D. Front leveling leg

Install Anti-Tip Bracket

! WARNING



Tip Over Hazard

A child or adult can tip the range and be killed.

Install anti-tip bracket to floor or wall per installation instructions.

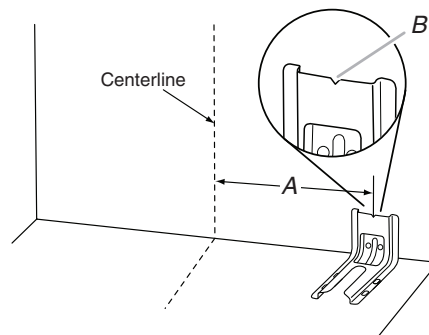
Slide range back so rear range foot is engaged in the slot of the anti-tip bracket.

Re-engage anti-tip bracket if range is moved.

Do not operate range without anti-tip bracket installed and engaged.

Failure to follow these instructions can result in death or serious burns to children and adults.

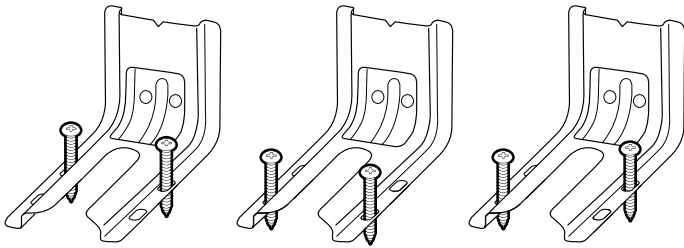
1. Remove the anti-tip bracket from where it is taped inside the storage drawer.
2. Determine which mounting method to use: floor or wall.
 If you have a stone or masonry floor, you can use the wall mounting method. If you are installing the range in a mobile home, you must secure the range to the floor.
3. Determine and mark centerline of the cutout space. The mounting can be installed on either the left side or right side of the cutout. Position mounting bracket against the wall in the cutout so that the V-notch of the bracket is 12⁹/₁₆" (31.9 cm) from centerline as shown.



- A. 12⁹/₁₆" (31.9 cm)
- B. Bracket V-notch

4. Drill two $\frac{1}{8}$ " (3 mm) holes that correspond to the bracket holes of the determined mounting method. See the following illustrations.

Floor Mounting

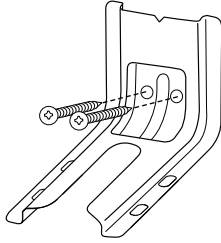


Rear position

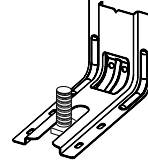
Front position

Diagonal (2 options)

Wall Mounting



5. Using the Phillips screwdriver, mount anti-tip bracket to the wall or floor with the two #12 x $1\frac{5}{8}$ " screws provided.
6. Move range close enough to opening to allow for final electrical connections. Remove shipping base, cardboard, or hardboard from under range.
7. Move range into its final location, making sure rear leveling leg slides into anti-tip bracket.



8. Move range forward onto shipping base, cardboard, or hardboard to continue installing the range using the following installation instructions.

Electrical Connection

Power Supply Cord

⚠ WARNING



Electrical Shock Hazard

Disconnect power before servicing.
Use a new 40 amp power supply cord.
Plug into a grounded outlet.
Failure to follow these instructions can result in death, fire, or electrical shock.

Direct Wire

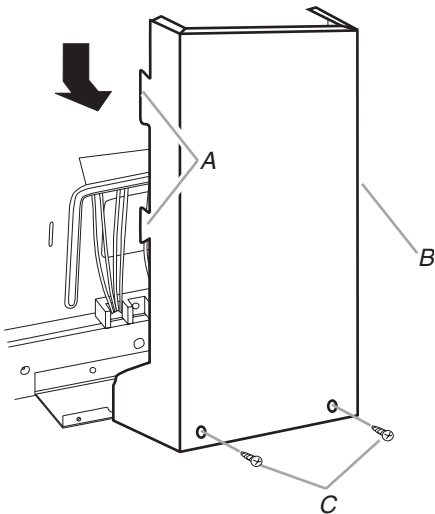
⚠ WARNING



Electrical Shock Hazard

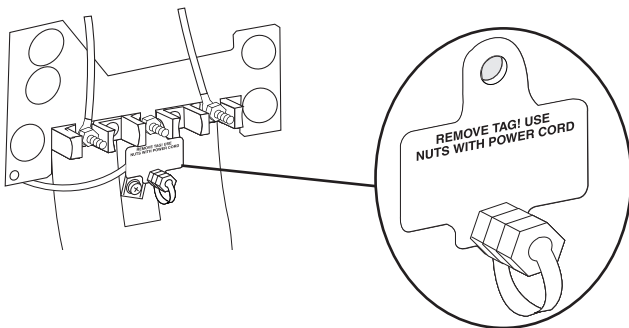
Disconnect power before servicing.
Use 8 gauge copper or 6 gauge aluminum wire.
Electrically ground range.
Failure to follow these instructions can result in death, fire, or electrical shock.

1. Disconnect power.
2. Remove the terminal block cover screws located on the back of the range. Pull cover down and toward you to remove cover from range.



A. 2 mounting tabs each side
 B. Terminal block cover
 C. Hex-head screws

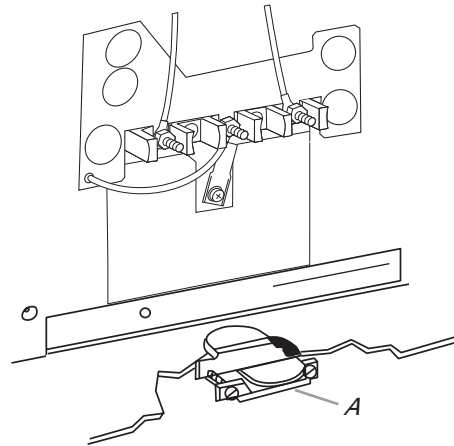
3. Remove plastic tag holding three 10-32 hex nuts from the middle post of the terminal block.



4. Add strain relief.

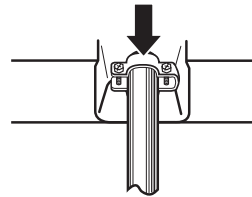
Style 1: Power supply cord strain relief

- Remove the knockout for the power supply cord.
- Assemble a IEC Approved strain relief in the opening.



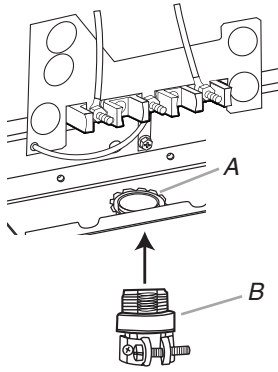
A. IEC Approved strain relief

- Tighten strain relief screw against the power supply cord.



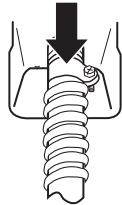
Style 2: Direct wire strain relief

- Remove the knockout as needed for the flexible conduit connection.
- Assemble an IEC Approved conduit connector in the opening.



A. Removable retaining nut
B. Conduit


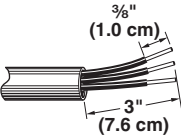
- Tighten strain relief screw against the flexible conduit.



5. Complete installation following instructions for your type of electrical connection:

3-wire

Electrical Connection Options

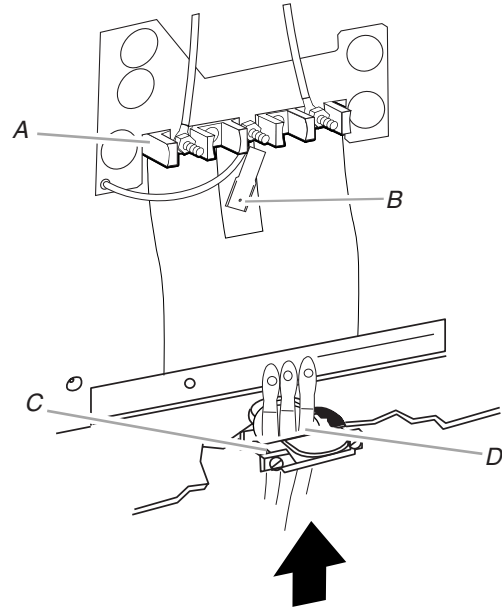
If your home has:	And you will be connecting to:	Go to Section:
3-wire receptacle 	An IEC 60309 listed, 250-volt minimum, 40-amp minimum, range power supply cord	3-wire connection: Power Supply Cord
3-wire direct 	A circuit breaker box or fused disconnect	3-wire connection: Direct Wire

3-wire connection: Power Supply Cord

Use this method only if local codes permit connecting chassis ground conductor to neutral wire of power supply cord.

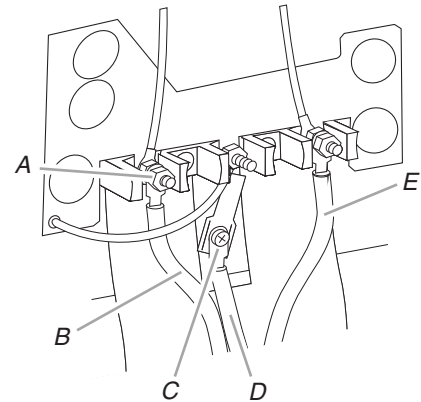
1. Use a Phillips screwdriver to remove the ground-link screw from the back of the range. Save the ground-link screw.

2. Feed the power supply cord through the strain relief on the cord/conduit plate on bottom of range. Allow enough slack to easily attach the wiring to the terminal block.



A. Terminal block
B. Location of ground-link screw
C. IEC Approved strain relief
D. Power supply cord wires - large opening

3. Use a Phillips screwdriver to connect the ground (green/yellow) wire from the power supply cord to the range with the ground-link screw and ground-link section. The ground wire must be attached first.
4. Use $\frac{3}{8}$ " nut driver to connect the neutral (red) wire to the left terminal block post with 1 of the 10-32 hex nuts.



A. 10-32 hex nut
B. Neutral (red) wire
C. Ground-link screw
D. Ground (green/yellow) wire
E. Line 1 (black) wire

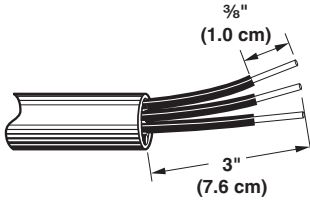
5. Connect the line 1 (black) wire to the right terminal block post with 1 of the 10-32 hex nuts.
 6. Securely tighten hex nuts.
- NOTE:** For power supply cord replacement, use only a power cord rated at 250 volts minimum, 40 amps or 50 amps that is marked for use with nominal $1\frac{3}{8}$ " (3.5 cm) diameter connection opening, with ring terminals and marked for use with ranges.
7. Tighten strain relief screws.
 8. Replace terminal block access cover.

Direct Wire Installation: Copper or Aluminum Wire

This range may be connected directly to the fuse disconnect or circuit breaker box. Depending on your electrical supply, make the required 3-wire connection.

NOTE: Connections to ground should not use aluminum wire.

1. Strip outer covering back 3" (7.6 cm) to expose wires. Strip the insulation back $\frac{3}{8}$ " (1.0 cm) from the end of each wire.

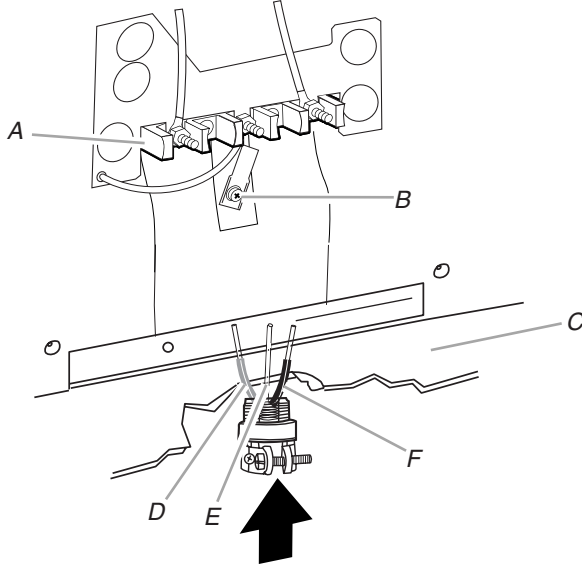


2. Allow enough slack in the wire to easily attach the wiring terminal block.
3. Complete electrical connection according to your type of electrical supply (3-wire connection).

3-wire connection: Direct Wire

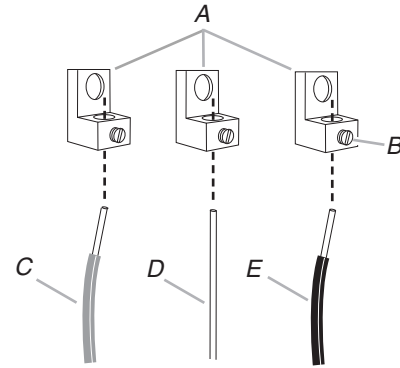
Use this method only if local codes permit connecting ground conductor to neutral supply wire.

1. Pull the wires through the conduit on cord/conduit plate on bottom of range. Allow enough slack to easily attach the wiring to the terminal block.



- A. Terminal block
- B. Ground-link screw
- C. Cord/conduit plate
- D. Neutral (red) wire
- E. Bare (green/yellow) ground wire
- F. Line 1 (black) wire

2. Attach terminal lugs to neutral (red), bare (green/yellow) ground, and line 1 (black) wires. Loosen (do not remove) the setscrew on the front of the terminal lug and insert exposed wire end through bottom of terminal lugs. Securely tighten setscrew to torque as shown in the following Bare Wire Torque Specifications chart.



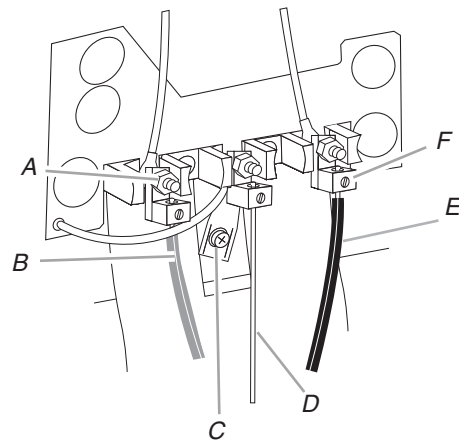
- A. Terminal lug
- B. Setscrew
- C. Neutral (red) wire
- D. Bare (green/yellow) ground wire
- E. Line 1 (black) wire

Bare Wire Torque Specifications

Attaching terminal lugs to the terminal block - 20 lbs-in. (2.3 N-m)

Wire Awg	Torque
8 gauge copper	25 lbs-in. (2.8 N-m)
6 gauge aluminum	35 lbs-in. (4.0 N-m)

3. Use $\frac{3}{8}$ " nut driver to connect the bare (green/yellow) ground wire to the center terminal block post with 1 of the 10-32 hex nuts.



- A. 10-32 hex nut
- B. Neutral (red) wire
- C. Ground-link screw
- D. Bare (green/yellow) ground wire
- E. Line 1 (black) wire
- F. Terminal lug

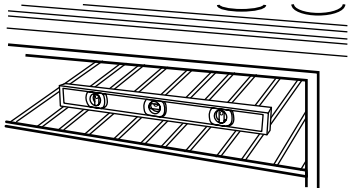
4. Connect neutral (red) and line 1 (black) wires to the outer terminal block posts with 10-32 hex nuts.
5. Securely tighten hex nuts.
6. Replace terminal block access cover.

Verify Anti-Tip Bracket Is Installed and Engaged

1. Remove the storage drawer. See the “Storage Drawer” section.
2. Use a flashlight to look underneath the bottom of the range.
3. Visually check that the rear range foot is inserted into the slot of the anti-tip bracket.

Level Range

1. Place a standard flat rack in oven.
2. Place level on the rack and check levelness of the range, first side to side; then front to back.



3. If range is not level, pull range forward until rear leveling leg is removed from the anti-tip bracket.
4. Use a 1/4" drive ratchet, wrench or pliers to adjust leveling legs up or down until the range is level. Push range back into position. Check that rear leveling leg is engaged in the anti-tip bracket.

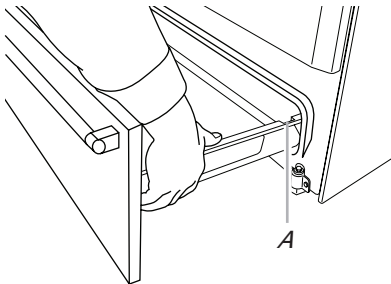
NOTE: Range must be level for satisfactory baking performance.

Storage Drawer

The storage drawer can be removed. Before removing, make sure drawer is cool and empty.

To Remove:

1. Pull the storage drawer straight back to the drawer stop.



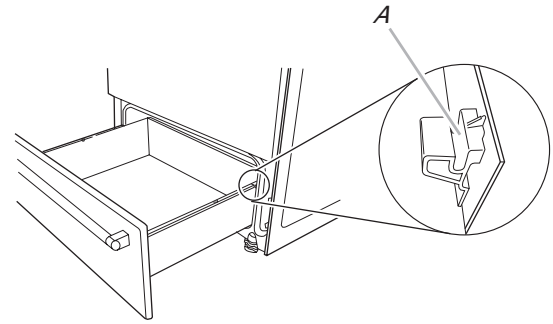
A. Drawer stop notch

2. Lift up the front of the drawer and pull the drawer out.

To Replace:

1. Lift up the front of the drawer and place the rear of the drawer inside the range so that the drawer stop notch is behind the drawer glide.
2. Lower the drawer so that the edge of the slide rail drops into the slot in the drawer glide.

3. Slowly push the drawer into the range.



A. Engage drawer glide.

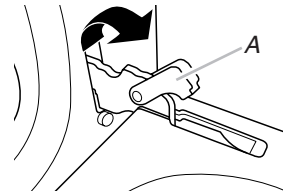
NOTE: When properly installed, the rear slides on the bottom of the drawer will engage the base rails and the drawer will not tip when items are placed in the drawer.

Oven Door

For normal range use, it is not suggested to remove the oven door. However, if removal is necessary, make sure the oven is off and cool. Then, follow these instructions. The oven door is heavy.

To Remove:

1. Open oven door all the way.
2. Pinch the hinge latch between 2 fingers and pull forward. Repeat on other side of oven door.



A. Hinge latch

3. Close the oven door as far as it will shut.
4. Lift the oven door while holding both sides. Continue to push the oven door closed and pull it away from the oven door frame.



To Replace:

1. Insert both hanger arms into the door.



2. Open the oven door. You should hear a “click” as the door is set into place.
3. Move the hinge levers back to the locked position. Check that the door is free to open and close. If it is not, repeat the removal and installation procedures.

Complete Installation

1. Check that all parts are now installed. If there is an extra part, go back through the steps to see which step was skipped.
2. Check that you have all of your tools.
3. Dispose of/recycle all packaging materials.
4. Check that the range is level. See the “Level Range” section.
5. Use a mild solution of liquid household cleaner and warm water to remove waxy residue caused by shipping material. Dry thoroughly with a soft cloth. For more information, read the “Range Care” section of the Use and Care Guide.
6. Read the “Range Use” section in the range Use and Care Guide.
7. Plug power cord into appropriate outlet. Turn power on.
8. Turn on surface burners and oven. See the Use and Care Guide for specific instruction on range operation.

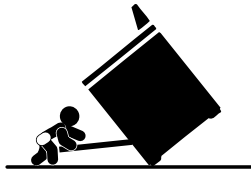
If range does not operate, check the following:

- Household fuse is intact and tight or circuit breaker has not tripped.
- Range is plugged into a grounded outlet.
- Electrical supply is connected.
- See the “Troubleshooting” section in the Use and Care Guide.

When the range has been on for 5 minutes, check for heat. If range is cold, turn off the range and contact a qualified technician.

Moving the Range

⚠ WARNING



Tip Over Hazard

A child or adult can tip the range and be killed.

Install anti-tip bracket to floor or wall per installation instructions.

Slide range back so rear range foot is engaged in the slot of the anti-tip bracket.

Re-engage anti-tip bracket if range is moved.

Do not operate range without anti-tip bracket installed and engaged.

Failure to follow these instructions can result in death or serious burns to children and adults.

When moving range, slide range onto cardboard or hardboard to avoid damaging the floor covering.

If removing the range is necessary for cleaning or maintenance:

For power supply cord-connected ranges:

1. Slide range forward.
2. Unplug the power supply cord.
3. Complete cleaning or maintenance.
4. Plug in power supply cord.
5. Check that the anti-tip bracket is installed and engaged. See the “Verify Anti-Tip Bracket Is Installed and Engaged” section.
6. Check that range is level.

For direct-wired ranges:

⚠ WARNING



Electrical Shock Hazard

Disconnect power before servicing.

Replace all parts and panels before operating.

Failure to do so can result in death or electrical shock.

1. Disconnect power.
2. Slide range forward.
3. Complete cleaning or maintenance.
4. Check that the anti-tip bracket is installed and engaged. See the “Verify Anti-Tip Bracket Is Installed and Engaged” section.
5. Check that range is level.
6. Reconnect power.