



ROOM AIR CONDITIONER

SAFETY INFORMATION3

USING THE AIR CONDITIONER

Controls4

Remote Control4

CARE AND CLEANING7

INSTALLATION INSTRUCTIONS

Window8

Through-The-Wall - Optional.....14

TROUBLESHOOTING TIPS.....15

CONSUMER SUPPORT

Warranty17

Consumer Support.....18

OWNER'S MANUAL & INSTALLATION INSTRUCTIONS

AHE08
AHE12

Write the model and serial numbers here:

Model # _____

Serial # _____

You can find the rating label on the side of the air conditioner.

THANK YOU FOR MAKING GE APPLIANCES A PART OF YOUR HOME.

Whether you grew up with GE Appliances, or this is your first, we're happy to have you in the family.

We take pride in the craftsmanship, innovation and design that goes into every GE Appliances product, and we think you will too. Among other things, registration of your appliance ensures that we can deliver important product information and warranty details when you need them.

Register your GE appliance now online. Helpful websites and phone numbers are available in the Consumer Support section of this Owner's Manual. You may also mail in the pre-printed registration card included in the packing material.



GE APPLIANCES

IMPORTANT SAFETY INFORMATION

READ ALL INSTRUCTIONS BEFORE USING THE APPLIANCE

⚠ WARNING

For your safety, the information in this manual must be followed to minimize the risk of fire, electric shock or personal injury.

- Use this appliance only for its intended purpose as described in this Owner's Manual.
- This air conditioner must be properly installed in accordance with the Installation Instructions before it is used.
- Never unplug your air conditioner by pulling on the power cord. Always grip plug firmly and pull straight out from the receptacle.
- Replace immediately all electric service cords that have become frayed or otherwise damaged. A damaged power supply cord must be replaced with a new power supply cord obtained from the manufacturer and not repaired. Do not use a cord that shows cracks or abrasion damage along its length or at either the plug or connector end.
- Turn the unit OFF and unplug your air conditioner before making any repairs or cleaning.
- For your safety...do not store or use combustible materials, gasoline or other flammable vapors or liquids in the vicinity of this or any other appliance.
- All air conditioners contain refrigerants, which under federal law must be removed prior to product disposal. If you are getting rid of an old product with refrigerants, check with the company handling disposal about what to do.
- If the receptacle does not match the plug, the receptacle must be changed out by a qualified electrician.
- These R410A air conditioning systems require contractors and technicians to use tools, equipment and safety standards approved for use with this refrigerant. DO NOT use equipment certified for R22 refrigerant only.

NOTE: We strongly recommend that any servicing be performed by a qualified individual.

⚠ WARNING

USE OF EXTENSION CORDS

RISK OF FIRE. Could cause serious injury or death.

- DO NOT use an extension cord with this Window Air Conditioner.
- DO NOT use surge protectors or multi-outlet adaptors with this Window Air Conditioner.

HOW TO CONNECT ELECTRICITY

Do not, under any circumstances, cut or remove the third (ground) prong from the power cord. For personal safety, this appliance must be properly grounded.

DO NOT use an adapter plug with this appliance.

The power cord of this appliance is equipped with a 3-prong (grounding) plug which mates with a standard 3-prong (grounding) wall outlet to minimize the possibility of electric shock hazard from this appliance.

Power cord includes a current interrupter device. A test and reset button is provided on the plug case. The device should be tested on a periodic basis by first pressing the **TEST** button and then the **RESET** button while plugged into the outlet. If the **TEST** button does not trip or if the **RESET** button will not stay engaged, discontinue use of the air conditioner and contact a qualified service technician.

Have the wall outlet and circuit checked by a qualified electrician to make sure the outlet is properly grounded.

Where a 2-prong wall outlet is encountered, it is your personal responsibility and obligation to have it replaced with a properly grounded 3-prong wall outlet.

The air conditioner should always be plugged into its own individual electrical outlet which has a voltage rating that matches the rating plate.

This provides the best performance and also prevents overloading house wiring circuits which could cause a fire hazard from overheated wires.

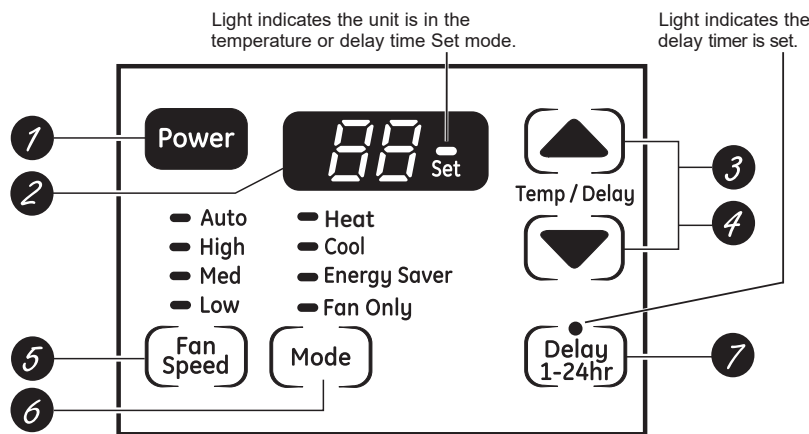
See the Installation Instructions, **Electrical Requirements** section for specific electrical connection requirements.

READ AND SAVE THESE INSTRUCTIONS

Controls

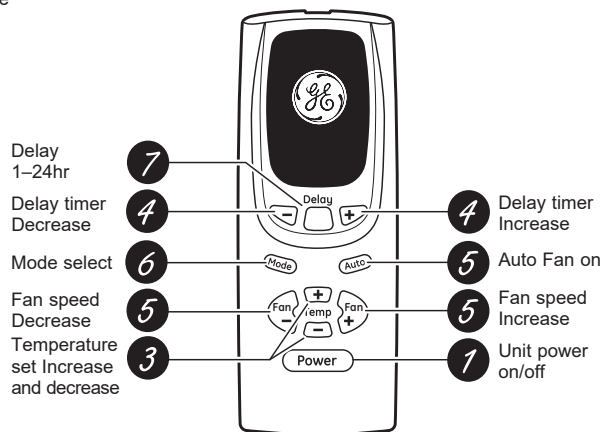
Features and appearance will vary.

Lights next to the touch pads on the air conditioner control panel indicate the selected settings.



NOTE: The display always shows the room temperature except when setting the Set temperature or the Delay timer.

Air Conditioner Controls



Remote Control

Controls

1. Power Pad

Turns air conditioner on and off. When turned on, the display will show the room temperature.

2. Display

Shows the room temperature or time remaining on the Delay timer. Shows the **Set** temperature while setting the temperature in **Heat**, **Cool** or **Energy Saver** modes.

3. Temp Increase + /Decrease – Pads

Use to set temperature when in **Heat**, **Cool** or **Energy Saver mode**. The **Set** light will turn on while setting.

4. Delay Increase + /Decrease – Pads

Each touch of the Increase ▲ / Decrease ▼ pads on the unit or the Increase + / Decrease – pads on the remote control will set the delay time when using the **Delay 1–24hr** timer. The **Set** light will turn on while setting.

5. Fan Speed Pads

Use to set the fan speed to **Low**, **Med**, **High** or **Auto** on the unit. **NOTE:** On the remote control, use the fan speed Increase + / Decrease – pads to set the fan speeds to **Low**, **Med** or **High**. Use the **Auto** pad to turn **Auto** fan on.

6. Mode Pad

Use to set the air conditioner to **Heat**, **Cool**, **Energy Saver** or **Fan Only** mode.

7. Delay Pad

Delay ON—When the air conditioner is off, it can be set to automatically come on in 1 to 24 hours at its previous mode and fan settings.

Delay OFF—When the air conditioner is on, it can be set to automatically turn off in 1 to 24 hours.

How to set:

Press the **Delay 1–24hr** pad on the unit or the **Delay** pad on the remote control. Each touch of the Increase ▲ / Decrease ▼ pads on the unit or the Increase + / Decrease – pads on the remote control will set the timer in 1-hour intervals. The **Set** light will turn on while setting.

To review the remaining time on the **Delay 1–24hr** timer, press the **Delay 1–24hr** pad on the unit or the **Delay** pad on the remote control. Use the Increase ▲ / Decrease ▼ pads on the unit or the Increase + / Decrease – pads on the remote control to set a new time if desired.

To cancel the timer, press the **Delay 1–24hr** pad until the light on the **Delay 1–24hr** pad goes off.

NOTE: The default temperature reading on the display is degree Fahrenheit (°F). To change the display to degree Celcius (°C), press the Temp Increase ▲ and Temp Decrease ▼ buttons together and hold for 3 seconds. Repeat the process to change back to degree Fahrenheit (°F).

Using the Air Conditioner

Remote Control

- To ensure proper operation, aim the remote control at the signal receiver on the air conditioner.
 - Make sure nothing is between the air conditioner and the remote control that could block the signal.
 - The remote control signal has a range of up to 20 feet.
 - Make sure batteries are fresh and installed correctly as indicated on the remote control.
 - Remote contains a magnet allowing it to attach to metal surfaces.
-

Heat Mode

Use the Heat mode at Low, Med, High or Auto Fan Speed for heating. Use the Temperature Increase ▲ / Decrease ▼ pads to set the desired temperature between 61°F and 86°F in 1°F increments.

An electronic thermostat is used to maintain the room temperature. The heater will cycle on and off to keep the room at the set level of comfort.

Cool Mode

Use the **Cool** mode at **Low, Med, High** or **Auto Fan Speed** for cooling. Use the Temperature Increase ▲ / Decrease ▼ pads to set the desired temperature between 61°F and 86°F in 1°F increments.

An electronic thermostat is used to maintain the room temperature. The compressor will cycle on and off to keep the room at the set level of comfort. Set the thermostat at a lower number and the indoor air will become cooler. Set the thermostat at a higher number and the indoor air will become warmer.

NOTE: If the air conditioner is off and is then turned on while set to a **Cool** setting or if turned from a fan setting to a **Cool** setting, it may take approximately 3 minutes for the compressor to start and cooling to begin.

Cooling Descriptions

For Normal Cooling—Select the **Cool** mode and **High** or **Med** fan with a middle set temperature.

For Maximum Cooling—Select the **Cool** mode and **High** fan with a lower set temperature.

For Quieter and Nighttime Cooling—Select the **Cool** mode and **Low** fan with a middle set temperature.

Energy Saver Mode

Controls the fan.

ON—The fan will cycle on and off with the compressor. This results in wider variations of room temperature and humidity. Normally used when the room is unoccupied.

NOTE: The fan may continue to run for a short time after the compressor cycles off.

OFF—The fan runs all the time, while the compressor cycles on and off.

Using the Air Conditioner

Fan Only Mode

Use the **Fan Only Mode** at **Low**, **Med** or **High** fan speed to provide air circulation and filtering without cooling. Since fan-only settings do not provide cooling, a Set temperature cannot be entered. The room temperature will appear in the display.

NOTE: Auto Fan Speed cannot be used when in the **Fan Only Mode**.

Auto Fan Mode

Set to **Auto** fan speed for the fan speed to automatically set to the speed needed to provide optimum comfort settings with the set temperature.

If the room needs more cooling, the fan speed will automatically increase. If the room needs less cooling, the fan speed will automatically decrease.

NOTE: **Auto Fan Speed** cannot be used when in the **Fan Only Mode**.

Control Display On and Off

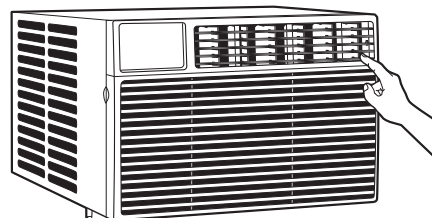
To reduce brightness during sleeping hours, this air conditioner control display has an automatic off feature where the control display will turn off completely after 2 minute of inactivity. To illuminate the control interface, press any button on the control display or remote control. The control display will illuminate all previously illuminated LED's. The control interface will now respond to any prescribed button press after it is illuminated.

Power Outage Recovery Feature

In the case of a power outage or interruption, the unit will automatically restart in the settings last used after the power is restored. If the **Delay 1–24hr** feature was set, it will resume countdown. You may need to set a new time if desired.

Air Direction

Use the lever to adjust the air direction left and right only.



Care and Cleaning

Grille and Case

Turn the air conditioner off and remove the plug from the wall outlet before cleaning.

To clean, use water and a mild detergent. Do not use bleach or abrasives.

Air Filter

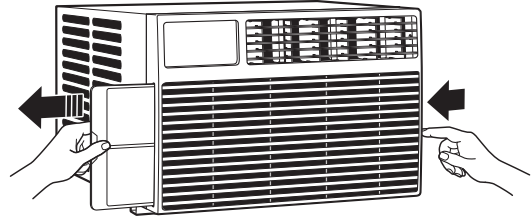
The air filter behind the front grille should be checked and cleaned at least every 30 days or more often if necessary.

To remove:

Push on one side of the filter edge and pull it out the other side.

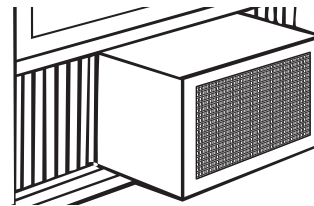
Clean the filter with warm, soapy water. Rinse and let the filter dry before replacing it. Do not clean the filter in a dishwasher.

CAUTION DO NOT operate the air conditioner without a filter because dirt and lint will clog it and reduce performance.



Outdoor Coils

The coils on the outdoor side of the air conditioner should be checked regularly. If they are clogged with dirt or soot, they may be professionally cleaned.



How to Insert the Battery in the Remote Control

1. Remove the battery cover by sliding it according to the arrow direction.
2. Insert new batteries, making sure that the (+) and (-) of battery are installed correctly.
3. Reattach the cover by sliding it back into position.

NOTES:

- Use 2 "AAA" (1.5 volt) alkaline batteries. Do not use rechargeable batteries.
- Remove the batteries from the remote control if the system is not going to be used for a long time.
- Do not mix old and new batteries. Do not mix alkaline, standard (carbon-zinc) or rechargeable (ni-cad, ni-mh, etc) batteries.

Installation Instructions

Questions? Call 800.GE.CARES (800.432.2737) or Visit our Website at: GEAppliances.com

BEFORE YOU BEGIN

Read these instructions completely and carefully.

- **IMPORTANT** — Save these instructions for local inspector's use.
- **IMPORTANT** — Observe all governing codes and ordinances.
- **Note to Installer** — Be sure to leave these instructions with the Consumer.
- **Note to Consumer** — Keep these instructions for future reference.
- **Skill level** — Installation of this appliance requires basic mechanical skills.
- **Completion time** — Approximately 1 hour
- We recommend that two people install this product.
- Proper installation is the responsibility of the installer.
- Product failure due to improper installation is not covered under the Warranty.
- You **MUST** use all supplied parts and use proper installation procedures as described in these instructions when installing this air conditioner.

⚠ CAUTION

If the sill support bolts do not contact the window sill, or if you have a window without a sill, you must order accessory kit **RAK87** to properly install this air conditioner. Call 877.959.8688 or visit GEApplianceparts.com.

ELECTRICAL REQUIREMENTS



Some models require a 115/120-volt AC, 60-Hz grounded outlet protected with a 15-amp time-delay fuse or circuit breaker.

The 3-prong grounding plug minimizes the possibility of electric shock hazard. If the wall outlet you plan to use is only a 2-prong outlet, it is your responsibility to have it replaced with a properly grounded 3-prong wall outlet.



Some models require 230/208-volt AC, protected with a time-delay fuse or circuit breaker. These models should be installed on their own single branch circuit for best performance and to prevent overloading house or apartment wiring circuits, which could cause a possible fire hazard from overheating wires.

⚠ CAUTION

Do not, under any circumstances, cut or remove the third (ground) prong from the power cord.

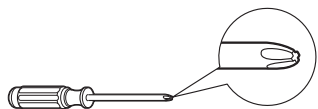
Do not change the plug on the power cord of this air conditioner.

Aluminum house wiring may present special problems—consult a qualified electrician.

TOOLS YOU WILL NEED



Adjustable wrench



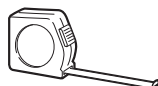
Phillips head screwdriver



Flat-blade screwdriver



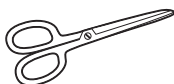
Pencil



Ruler or tape measure



Level

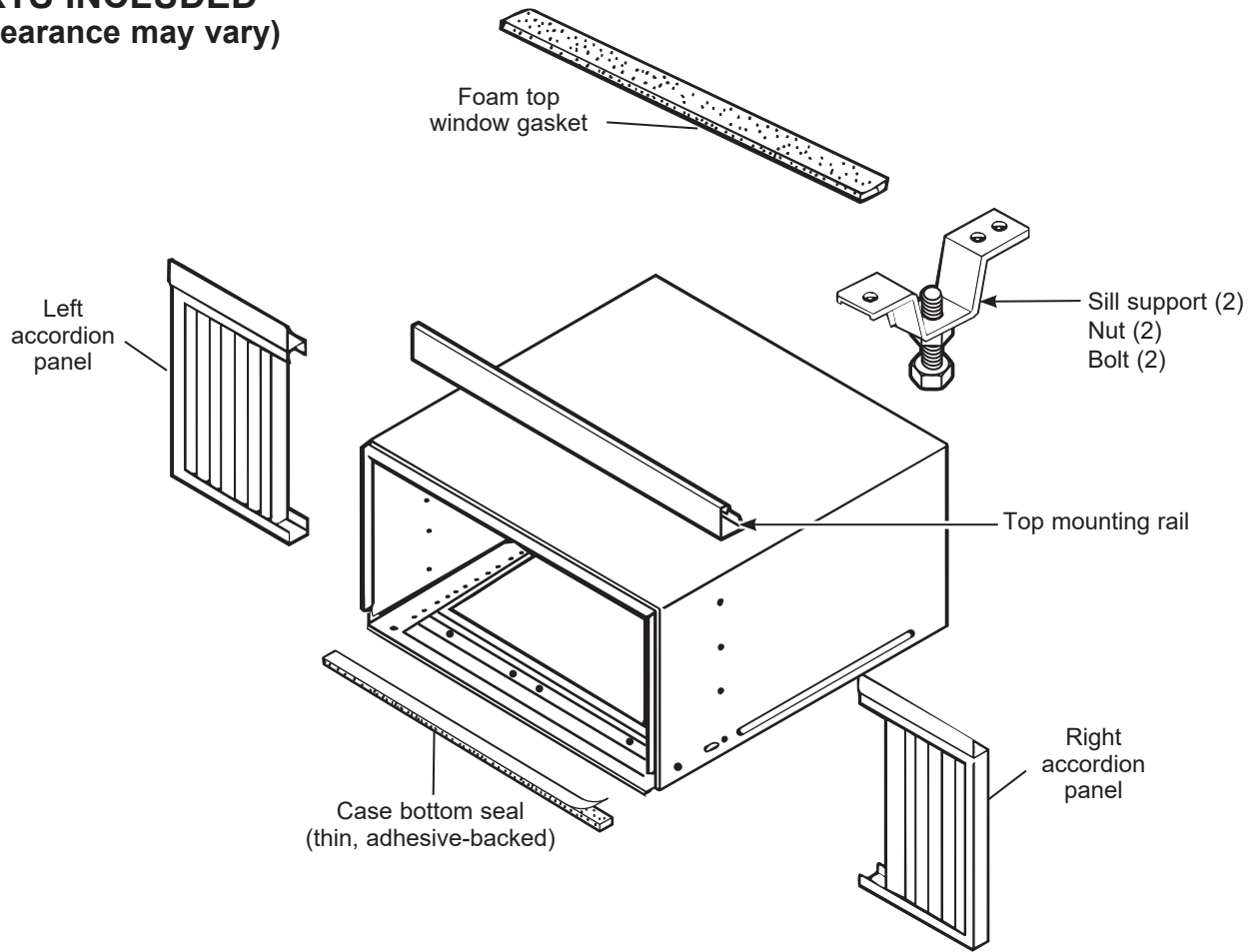


Scissors or knife

Power cord includes a current interrupter device. A test and reset button is provided on the plug case. The device should be tested on a periodic basis by first pressing the **TEST** button and then the **RESET** button while plugged into the outlet. If the **TEST** button does not trip or if the **RESET** button will not stay engaged, discontinue use of the air conditioner and contact a qualified service technician.

Installation Instructions

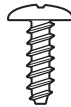
PARTS INCLUDED (Appearance may vary)



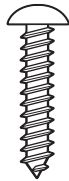
Type A (6)



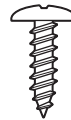
Type B (7)



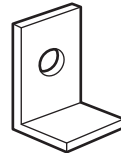
Type C (6)



Type D (3)



Window locking bracket (2)



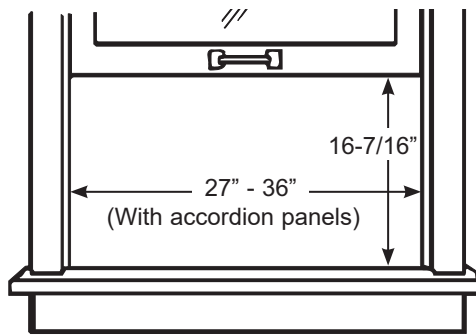
Installation Instructions

1. WINDOW REQUIREMENTS

- These instructions are for a standard double-hung window. You will need to modify them for other types of windows.

CAUTION If the sill support bolts do not contact the window sill, or if you have a window without a sill, you must order accessory kit **RAK87** to properly install this air conditioner. Call 877.959.8688 or visit **GEApplianceparts.com**.

- The air conditioner can be installed without the accordion panels if needed to fit in a narrow window. See the window opening dimensions.
- All supporting parts must be secured to firm wood, masonry or metal.
- The electrical outlet must be within reach of the power cord.



2. STORM WINDOW REQUIREMENTS

A storm window frame will not allow the air conditioner to tilt toward the outside, and will keep it from draining properly. To adjust for this, attach a piece of wood to the sill.

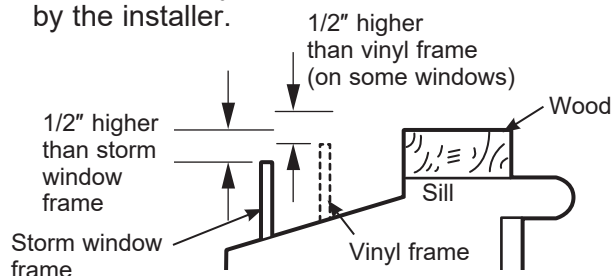
WOOD PIECES

WIDTH: 2"

LENGTH: Long enough to fit inside the window frame.

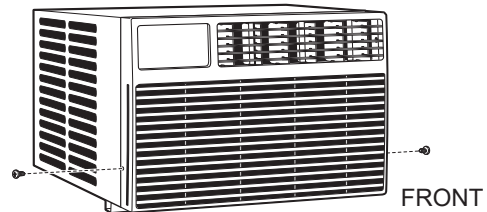
THICKNESS: To determine the thickness, place a piece of wood on the sill to make it 1/2" higher than the top of the storm window frame or the vinyl frame.

Attach securely with nails or screws provided by the installer.



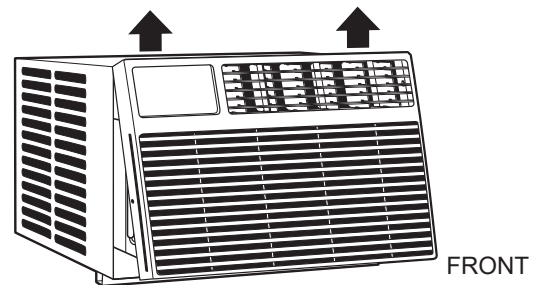
3. REMOVE THE AIR CONDITIONER FROM THE CASE

- A.** Remove and save the 2 screws from the lower sides of the front grille.



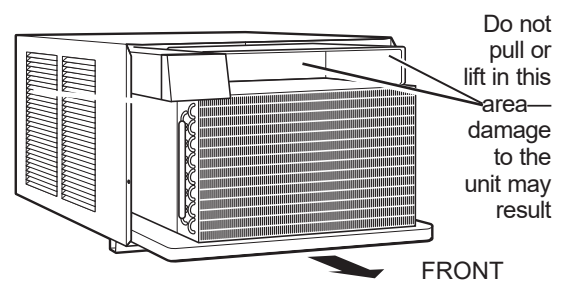
- B.** Grasp the lower corners of the grille while pressing in on the case sides with your finger tips. Pull out to release and lift it up.

NOTE: Do not pull the bottom edge toward you more than 3" or you may damage the tabs of the grille.



- C.** When the front grille is removed the control panel will still be attached by a harness.

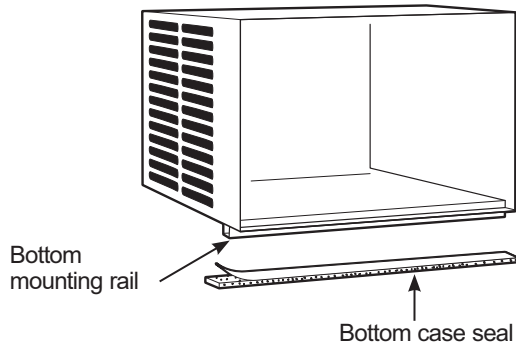
- D.** Slide the air conditioner from the case by gripping the base pan handle and pulling forward while bracing the case. Do not pull or lift on the styrofoam discharge area.



Installation Instructions

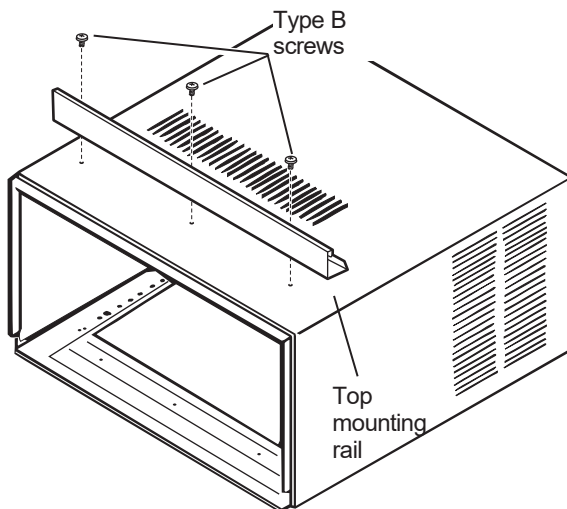
4. INSTALL THE BOTTOM CASE SEAL

- Peel the backing from the bottom case seal and attach it along the bottom of the case in front of the bottom mounting rail.



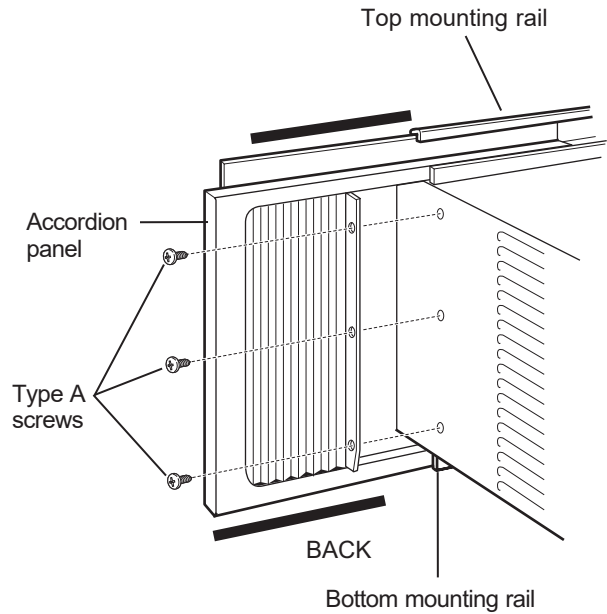
5. INSTALL THE TOP MOUNTING RAIL ONTO THE CASE

- Attach the top mounting rail onto the top of the case with 3 Type B screws.
Press firmly to drive the screws into the gasket and through the top mounting rail.



6. INSTALL THE SIDE ACCORDION PANELS

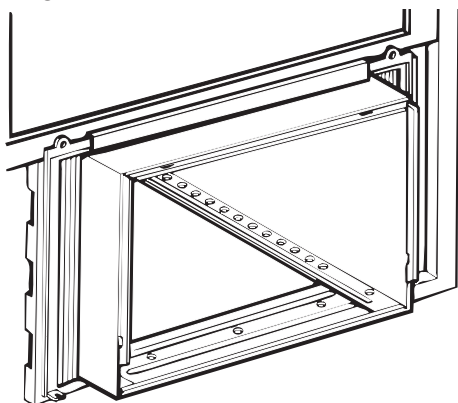
- A. Slide the left and right accordion panels into the top and bottom mounting rails.
- B. Attach the accordion panels to the case using 3 Type A screws on each side.



Installation Instructions

7. INSTALL CASE IN THE WINDOW

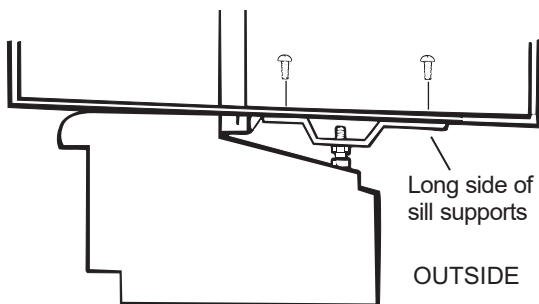
- A. Open the window and mark the centerline of the window stool.
- B. Carefully place the case on the window stool and align the center mark on the bottom front with the centerline of the stool.
- C. Pull the window down behind the top mounting rail.



NOTE: Do not shut the window so tightly that movement of the accordion panels is restricted.

- D. Select the position that will place the sill supports near the outermost point on the sill. Place the short side of the sill supports, on the case bottom, toward the window. Attach the sill supports to the case track hole in relation to the selected position using 2 Type B screws in each support.

CAUTION Do not install this air conditioner in a window if the bolts do not contact the window sill.

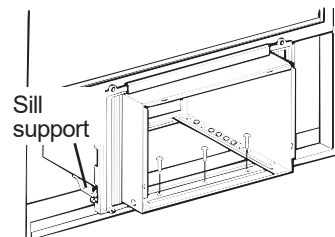


- E. Adjust the bolt and the nut in each support so that the case is installed with a slight tilt to the outside. Use a level; no more than 1/2 bubble will be the correct case slant to the outside.

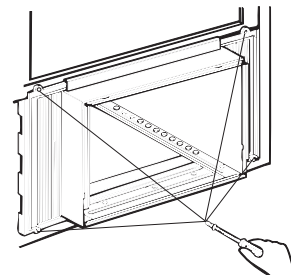
CAUTION If the sill support bolts do not contact the window sill, or if you have a window without a sill, you must order accessory kit **RAK87** to properly install this air conditioner. Call 877.959.8688 or visit GEApplianceparts.com.

7. INSTALL CASE IN THE WINDOW (CONT.)

- F. Secure the case to the window stool by using 3 Type D screws.

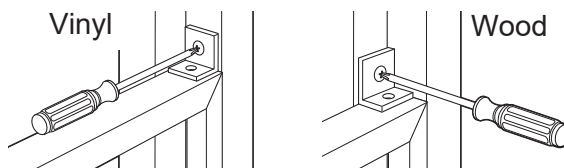


- G. Pull the accordion panels to each window sash track. Attach them on each side to the window sash and the window stool using 4 Type C screws.



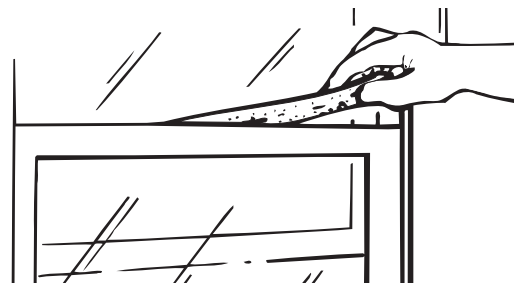
8. SECURE THE CASE IN THE WINDOW AND INSTALL THE FOAM TOP WINDOW GASKET

- A. **CAUTION** To prevent broken glass or damage to windows, on vinyl or other similarly constructed windows, attach the locking brackets to the window side jams.



Attach the window locking brackets (one on each side) with Type C screws.

- B. Cut the foam top window gasket to the window width.
- C. Stuff the foam between the glass and the window to prevent air and insects from getting into the room.

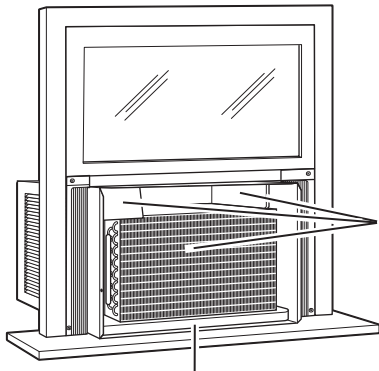


NOTE: If the gasket supplied does not fit your window, obtain appropriate material locally to provide a proper installation seal.

Installation Instructions

9. INSTALL THE AIR CONDITIONER IN THE CASE

- A. Slide the air conditioner into the case by the base pan. Do not push on the controls, styrofoam air discharge housing or the finned coils. Make sure the air conditioner is firmly seated.

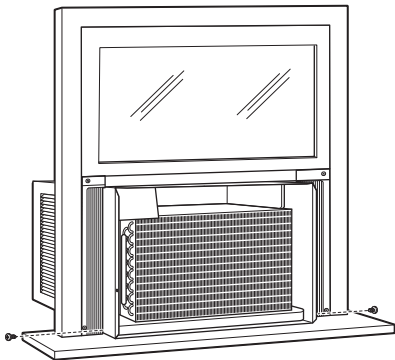


Do not press on these areas—
damage to the unit
may result

Base Pan

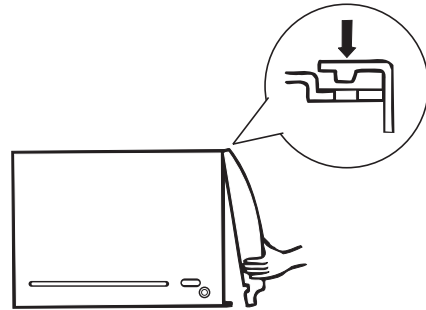
- B. Replace the 2 screws removed earlier, one on each side of the case.

**IMPORTANT: THE GROUND SCREWS
MUST BE REINSTALLED TO ENSURE
PROPER GROUND.**

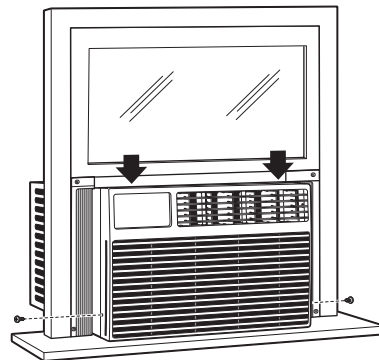


9. INSTALL THE AIR CONDITIONER IN THE CASE (CONT.)

- C. Attach the front grille to the case by inserting the tabs on the grille into the slots on the front top of the case. Push the grille in.



- D. Secure the front grille to the case by replacing the 2 screws removed earlier. Press on the top of the grille to help with side screw installation.



- E. Connect power.

Through-the-Wall Installation Instructions—Optional

The case may be installed through-the-wall in both existing and new construction.

Read completely, then follow step-by-step.

NOTE: Obtain all materials locally for mounting the air conditioner through-the-wall.

1. IMPORTANT

Through-the-wall installation is not appropriate if any of the side or top louvers in the case will be obstructed by the wall.

All side and top louvers in the case must project on the outdoor side of the wall.

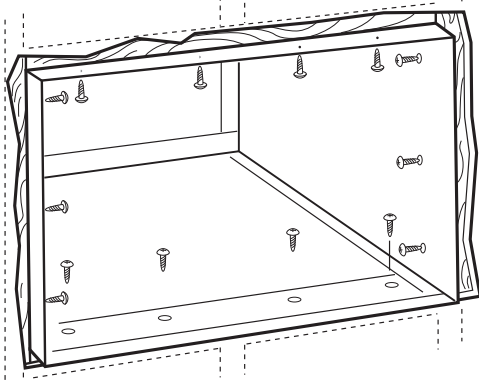
The room side of the case must project into the room far enough to maximize the balance of the unit.

The case must be installed level from side-to-side and with a slight tilt from front to rear. Use a level; no more than a 1/2 bubble will be the correct case slant to the outside.

Lintel angle is required to support bricks or blocks above opening.

Flashing is required and should extend the length of the opening to ensure no inside cavity leakage occurs.

- A. Remove the air conditioner from the case. For specific instruction, refer to the Window Installation Instructions.
- B. Make certain that a wall receptacle is available close to the hole location or make arrangements to install a receptacle.



- C. Place the case in the wall opening and place wood support strips between the case bottom and the flashing on both sides of the bottom rail. They should be the same height as the bottom rail and the same length as the wall opening.

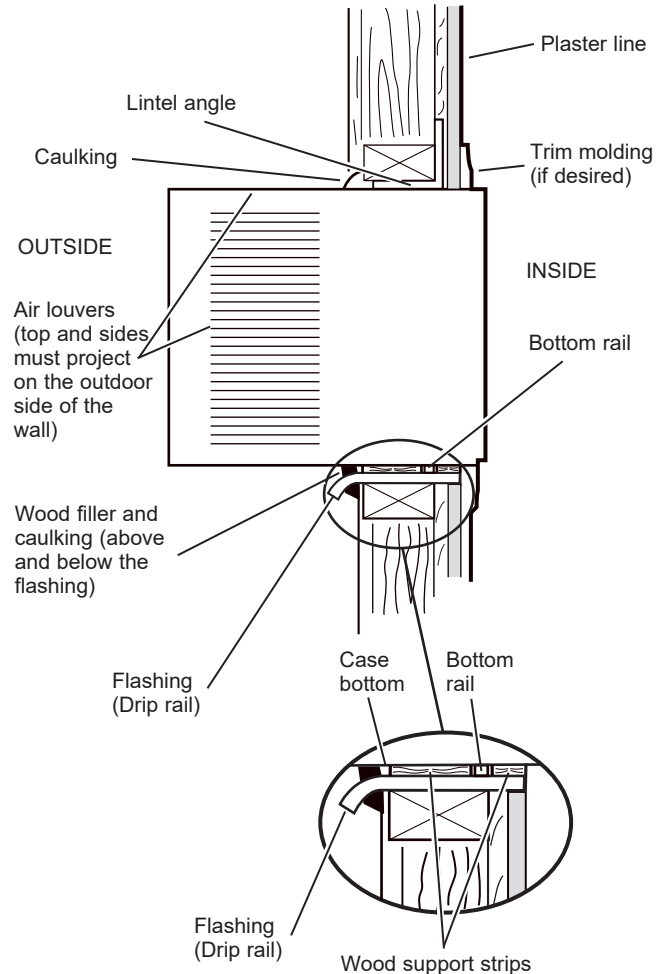
1. IMPORTANT (cont.)

- D. Secure with 14 wood screws anchored at least an inch into the wall support structure.

NOTE: Drill pilot holes, if necessary, for proper installation. If the frame is oversized, use shims to prevent case distortion.

2. FINISH THE WALL OPENING

- A. Caulk all four sides on the outdoor side of the case to prevent moisture from getting through to the interior wall. Use of flashing (drip rail) will further prevent water from dripping inside the wall and down the outside of the building.



- B. Place the air conditioner into the case. For specific instruction, refer to the Window Installation Instructions.

Troubleshooting Tips...Before you call for service

Save time and money! Review the charts on the following pages first and you may not need to call for service.

Problem	Possible Causes	What To Do
Air conditioner does not start	The air conditioner is unplugged	<ul style="list-style-type: none"> Make sure the air conditioner plug is pushed completely into the outlet.
	The fuse is blown/circuit breaker is tripped	<ul style="list-style-type: none"> Check the house fuse/circuit breaker box and replace the fuse or reset the breaker.
	Power failure	<ul style="list-style-type: none"> The unit will automatically re-start in the settings last used after the power is restored. There is a protective time delay (approximately 3 minutes) to prevent tripping of the compressor overload. For this reason, the unit may not start normal cooling or heating for 3 minutes after it is turned back on.
	The current interrupter device is tripped	<ul style="list-style-type: none"> Press the RESET button located on the power cord plug. If the RESET button will not stay engaged, discontinue use of the air conditioner and contact a qualified service technician.
Air conditioner freezing up	Ice blocks the air flow and stops the air conditioner from cooling the room	<ul style="list-style-type: none"> Set the mode control at Fan Only or Hi Cool with the temp control at a warmer setting.
Air conditioner does not cool as it should	Airflow is restricted	<ul style="list-style-type: none"> Make sure there are no curtains, blinds or furniture blocking the front of the air conditioner.
	The temp control may not be set correctly	<ul style="list-style-type: none"> In the Cool mode, press the Decrease pad.
	The air filter is dirty	<ul style="list-style-type: none"> Clean the filter at least every 30 days. See the Operating Instructions section.
	The room may have been hot	<ul style="list-style-type: none"> When the air conditioner is first turned on you need to allow time for the room to cool down.
	Cold air is escaping	<ul style="list-style-type: none"> Check for open furnace floor registers and cold air returns. Set the air conditioner's vent to the closed position.
	Cooling coils have iced up	<ul style="list-style-type: none"> See "Air conditioner freezing up" above.
Air conditioner does not warm as it should	Airflow is restricted	<ul style="list-style-type: none"> Make sure there are no curtains, blinds or furniture blocking the front of the air conditioner.
	The temp control may not be set low enough	<ul style="list-style-type: none"> In the Heat mode, press the Increase pad.
	The air filter is dirty	<ul style="list-style-type: none"> Clean the filter at least every 30 days. See the Operating Instructions section.
	The room may have been cold	<ul style="list-style-type: none"> When the air conditioner is first turned on, you need to allow time for the room to warm up.
	Warm air is escaping	<ul style="list-style-type: none"> Check for open furnace floor registers and cold air returns.
The remote control is not working	The batteries are inserted incorrectly.	<ul style="list-style-type: none"> Check the position of the batteries. They should be inserted in the opposite (+) and (-) direction.
	The batteries may be dead.	<ul style="list-style-type: none"> Replace the batteries.

Troubleshooting Tips...Before you call for service

Save time and money! Review the charts on the following pages first and you may not need to call for service.

Problem	Possible Causes	What To Do
Water drips outside	Excessively hot and humid weather	<ul style="list-style-type: none"> This is normal.
Water drips indoors	The air conditioner is not tilted to the outside	<ul style="list-style-type: none"> For proper water disposal, make sure the air conditioner slants slightly from the case front to the rear.
Water collects in base pan	Moisture is removed from indoor air and drains into rear of a cabinet where a fan blows it against the outdoor condenser coil	<ul style="list-style-type: none"> This is normal for a short period in areas with little humidity; normal for a longer period in very humid areas.

Normal Operating Sounds

- You may hear a pinging noise caused by water being picked up and thrown against the condenser on rainy days or when the humidity is high. This design feature helps remove moisture and improve efficiency.
- You may hear the thermostat click when the compressor cycles on and off.
- Water will collect in the base pan during high humidity or on rainy days. The water may overflow and drip from the outdoor side of the unit.
- The fan may run even when the compressor does not.

GE Appliances Air Conditioner - One-Year Limited Warranty

WARRANTY

All warranty service provided by our Factory Service Centers, or an authorized Customer Care® technician. To schedule service, visit us on-line at **GEAppliances.com**, or call GE Appliances at 800.GE.CARES (800.432.2737). Have serial number and model number available when calling for service.

For The Period Of:	GE Appliances Will Replace:
One Year From the date of the original purchase	Any part of the air conditioner which fails due to a defect in materials or workmanship. During this limited one-year warranty , GE Appliances will also provide, free of charge , all labor and related service to replace the defective part.

What GE Appliances Will Not Cover:

- Service trips to your home to teach you how to use the product.
- Improper installation, delivery or maintenance. If you have an installation problem, or if the air conditioner is of improper cooling capacity for the intended use, contact your dealer or installer. You are responsible for providing adequate electrical connecting facilities.
- Failure of the product resulting from modifications to the product or due to unreasonable use including failure to provide reasonable and necessary maintenance.
- In commercial locations, labor necessary to move the unit to a location where it is accessible for service by an individual technician.
- Replacement of house fuses or resetting of circuit breakers.
- Failure due to corrosion on models not corrosion-protected.
- Damage to the product caused by improper power supply voltage, accident, fire, floods or acts of God.
- Incidental or consequential damage caused by possible defects with this air conditioner.
- Damage caused after delivery.

EXCLUSION OF IMPLIED WARRANTIES—Your sole and exclusive remedy is product repair as provided in this Limited Warranty. Any implied warranties, including the implied warranties of merchantability or fitness for a particular purpose, are limited to one year or the shortest period allowed by law.

This warranty is extended to the original purchaser and any succeeding owner for products purchased for home use within the USA. If the product is located in an area where service by a GE Appliances Authorized Servicer is not available, you may be responsible for a trip charge or you may be required to bring the product to an Authorized GE Appliances Service location for service. In Alaska, the warranty excludes the cost of shipping or service calls to your home.

Some states do not allow the exclusion or limitation of incidental or consequential damages. This warranty gives you specific legal rights, and you may also have other rights which vary from state to state. To know what your legal rights are, consult your local or state consumer affairs office or your state's Attorney General.

Warrantor: GE Appliances, a Haier company

Staple your receipt here. Proof of the original purchase date is needed to obtain service under the warranty.

Consumer Support

GE Appliances Website

Have a question or need assistance with your appliance? Try the GE Appliances Website 24 hours a day, any day of the year! You can also shop for more great GE Appliances products and take advantage of all our on-line support services designed for your convenience. In the US: GEAppliances.com

Register Your Appliance

Register your new appliance on-line at your convenience! Timely product registration will allow for enhanced communication and prompt service under the terms of your warranty, should the need arise. You may also mail in the pre-printed registration card included in the packing material. In the US: GEAppliances.com/register

Schedule Service

Expert GE Appliances repair service is only one step away from your door. Get on-line and schedule your service at your convenience any day of the year. In the US: GEAppliances.com/ge/service-and-support/service.htm or call 800.432.2737 during normal business hours.

Extended Warranties

Purchase a GE Appliances extended warranty and learn about special discounts that are available while your warranty is still in effect. You can purchase it on-line anytime. GE Appliances Services will still be there after your warranty expires. In the US: GEAppliances.com/ge/service-and-support/shop-for-extended-service-plans.htm or call 800.626.2224 during normal business hours.

Remote Connectivity

For assistance with wireless network connectivity (for models with remote enable), visit our website at GEAppliances.com/ge/connected-appliances/ or call 800.220.6899 in the US.

Parts and Accessories

Individuals qualified to service their own appliances can have parts or accessories sent directly to their homes (VISA, MasterCard and Discover cards are accepted). Order on-line today 24 hours every day. In the US: GEApplianceparts.com or by phone at 877.959.8688 during normal business hours.

Instructions contained in this manual cover procedures to be performed by any user. Other servicing generally should be referred to qualified service personnel. Caution must be exercised, since improper servicing may cause unsafe operation.

Contact Us

If you are not satisfied with the service you receive from GE Appliances, contact us on our Website with all the details including your phone number, or write to:

In the US: General Manager, Customer Relations | GE Appliances, Appliance Park | Louisville, KY 40225
GEAppliances.com/ge/service-and-support/contact.htm



ACCONDICIONADORES DE AIRE PARA SALA

INSTRUCCIONES DE SEGURIDAD3

USO DEL ACONDICIONADOR DE AIRE
 Controles4
 Controle Remoto4

CUIDADO Y LIMPIEZA7

INSTRUCCIONES DE INSTALACIÓN
 La Ventan.8
 Través de la Pared—Opcional14

SOLUCIONAR PROBLEMAS15

SERVICIO AL CONSUMIDOR
 Garantía17
 Soporte al Cliente18

MANUAL DEL PROPIETARIO Y INSTRUCCIONES DE INSTALACIÓN

AHE08
AHE12

Escriba los números de modelo y serie aquí:

de Modelo _____

de Serie _____

Puede encontrar estos números en una etiqueta en el costado del acondicionador de aire.

GRACIAS POR HACER QUE GE APPLIANCES SEA PARTE DE SU HOGAR.

Ya sea que haya crecido usando GE Appliances, o que ésta es su primera vez, nos complace tenerlo en la familia.

Sentimos orgullo por el nivel de arte, innovación y diseño de cada uno de los electrodomésticos de GE Appliances, y creemos que usted también. Entre otras cosas, el registro de su electrodoméstico asegura que podamos entregarle información importante del producto y detalles de la garantía cuando los necesite.

Registre su electrodoméstico GE ahora a través de Internet. Sitios Web y números telefónicos útiles están disponibles en la sección de Soporte para el Consumidor de este Manual del Propietario.

También puede enviar una carta en la tarjeta de inscripción preimpresa que se incluye con el material embalado.



GE APPLIANCES

INFORMACIÓN IMPORTANTE DE SEGURIDAD

LEA TODAS LAS INSTRUCCIONES ANTES DE USAR

ADVERTENCIA

Para su seguridad, siga las instrucciones de este manual a fin de minimizar riesgos de incendio, descargas eléctricas o heridas personales.

- Use este electrodoméstico sólo para su propósito original, como se describe en el Manual del Propietario.
 - Este acondicionador de aire se debe instalar de forma apropiada de acuerdo con las Instrucciones de Instalación antes de ser usado.
 - Nunca desenchufe su acondicionador de aire empujando el cable de corriente. Siempre tome su enchufe de manera firme y empuje el mismo hacia afuera del receptáculo.
 - Reemplace de inmediato todos los cables del servicio de electricidad pelados o con cualquier tipo de daño. Un cable del servicio de corriente que esté dañado deberá ser reemplazado por uno nuevo provisto por el fabricante, y no deberá ser reparado. No use un cable con cortaduras o abrasión sobre su extensión o en cualquiera de sus enchufes o extremos.
 - Apague la unidad (OFF) y desenchufe el acondicionador de aire antes de efectuar reparaciones o la limpieza.
- NOTA:** Recomendamos enfáticamente que un técnico calificado realice las reparaciones.
- Para su seguridad... no acumule ni use materiales combustibles, gasolina u otros vapores o líquidos inflamables cerca de éste u otro electrodoméstico.
 - Todos los acondicionadores de aire contienen refrigerantes, los cuales de acuerdo con la ley federal se deben quitar antes de deshacerse del producto. Si se deshará de un producto antiguo con refrigerantes, consulte a la compañía a cargo sobre cómo deshacerse del mismo.
 - Si el receptáculo no coincide con el enchufe, el cambio del mismo deberá ser realizado por un electricista calificado.
 - Estos sistemas de acondicionadores de aire R410A requieren que los contratistas y técnicos utilicen herramientas, equipamiento y estándares de seguridad aprobados para su uso con este refrigerante. NO use equipamiento certificado sólo para refrigerante R22.

ADVERTENCIA

USO DE PROLONGADORES

RIESGO DE INCENDIO. Podría ocasionar lesiones graves o la muerte.

- NO use un prolongador con este Acondicionador de Aire de Ventana.

- NO use protectores contra picos de corriente ni adaptadores para múltiples tomacorrientes con este Acondicionador de Aire de Ventana.

CÓMO CONECTAR LA ELECTRICIDAD

Nunca, bajo ninguna circunstancia, corte o elimine el tercer cable (tierra) del cable de corriente. Para su seguridad personal, este electrodoméstico debe estar adecuadamente conectado a tierra.

NO use un enchufe adaptador con este electrodoméstico.

El cable de corriente de este electrodoméstico contiene un enchufe de 3 cables (conexión a tierra) que se conecta a un tomacorriente de pared estándar de 3 cables (conexión a tierra) para minimizar la posibilidad de riesgos de descargas eléctricas por parte del mismo.

El cable de corriente incluye un interruptor de corriente. Se brinda un botón de evaluación y reinicio en la caja del enchufe. El dispositivo deberá ser evaluado en forma periódica, presionando primero el botón **TEST** (Evaluar) y luego **RESET** (Reinicio) mientras se encuentre enchufado al tomacorriente. Si el botón **TEST** (Evaluar) no se activa o el botón **RESET** (Reinicio) no permanece en su posición, deje de usar el acondicionador de aire y comuníquese con un técnico calificado del servicio.

Contrate a un electricista calificado para que controle el tomacorriente y el circuito eléctrico para asegurar que el enchufe esté correctamente conectado a tierra.

En caso de contar con un tomacorriente de pared de 2 cables, es su responsabilidad y obligación reemplazarlo por un tomacorriente de pared de 3 cables correctamente conectado a tierra.

El acondicionador de aire debería estar siempre conectado a un enchufe específico con un índice de voltaje equivalente al que figura en su etiqueta de características técnicas.

Esto garantiza el mejor funcionamiento y además previene la sobrecarga de los circuitos del hogar, lo cual podría ocasionar riesgos de incendio debido al recalentamiento de cables.

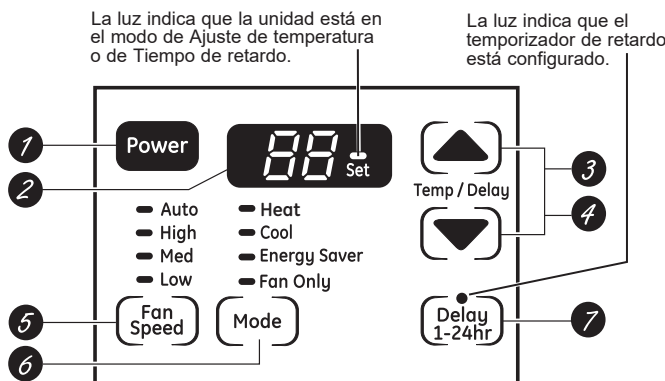
Para conocer los requisitos específicos de la conexión eléctrica, consulte las Instrucciones de Instalación, Requisitos Eléctricos.

LEA Y GUARDE ESTAS INSTRUCCIONES

Controles

Las funciones y el aspecto pueden variar.

Las luces al lado de las teclas de toque en el panel de control del acondicionador de aire indicarán los ajustes seleccionados.



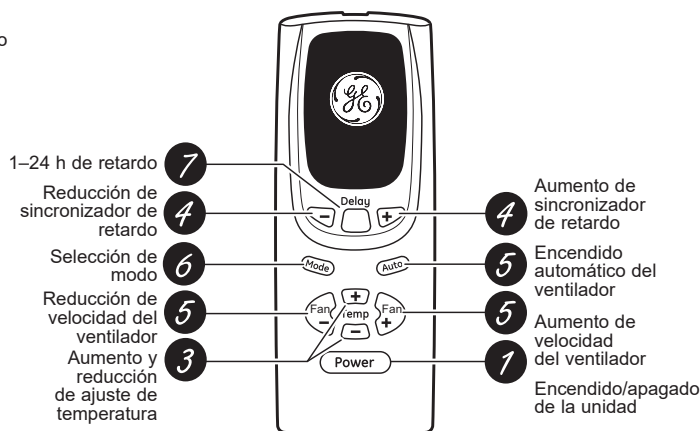
NOTA: La pantalla muestra siempre la temperatura ambiente, excepto al configurar la temperatura Definida o el Sincronizador de retardo.

Controles del acondicionador de aire

Controles

1. **Tecla de Power (Encendido)**
Apaga y prende el acondicionador de aire. Al encenderse, la pantalla mostrará la temperatura ambiente.
2. **Pantalla**
Muestra la temperatura ambiente o el tiempo restante en el Sincronizador de retardo. Muestra la temperatura **Definida** al configurar la temperatura en los modos **Heat (Calor)**, **Cool (Frío)** o de **Energy Saver (Ahorro de energía)**. La luz de **Ajuste** se encenderá durante la configuración.
NOTA: la pantalla cambiará para mostrar la temperatura ambiente una vez que se haya realizado la configuración.
3. **Teclas de Temp Aumento ▲/Reducción ▼**
Usado para ajustar la temperatura cuando se encuentre en el modo **Heat (Calor)**, **Cool (Frío)** o **Energy Saver (Ahorro de energía)**. La luz de **Set (Ajuste)** se encenderá durante la configuración.
4. **Teclas de Sincronizador de retardo Aumento ▲(+)/ Reducción ▼(-)**
Cada vez que toque las teclas **Aumento ▲/ Reducción ▼** de la unidad o las teclas **Aumento + / Reducción -** en el control remoto definirá el tiempo de retardo al utilizar el **Delay 1-24hr timer (Sincronizador de retardo 1-24 h)**. La luz de **Set (Ajuste)** se encenderá durante la configuración.
5. **Teclas de Fan Speed (Velocidad del ventilador)**
Usado para ajustar la velocidad del ventilador a **Low (Bajo)**, **Med (Medio)**, **High (Alto)** o **Auto (Automática)** en la unidad. **NOTA:** en el control remoto, utilice las teclas **Aumento + / Reducción -** velocidad de ventilador para ajustar la velocidad del ventilador en **Low (Bajo)**, **Med (Medio)** o **High (Alto)**. Utilice la tecla **Auto** para activar el ventilador automático.
6. **Tecla de MODO**
Usado para ajustar el acondicionador de aire al modo **Cool (Frío)**, **Energy Saver (Ahorro de energía)** o **Fan Only (Solo ventilador)**.

NOTA: La temperatura por defecto que figura en la pantalla está en grados Fahrenheit (°F). Para modificar la pantalla a grados Celsius (°C), mantenga presionados los botones Temp Increase (Incremento de Temperatura) ▲ Temp Decrease (Disminución de Temperatura) ▼ al mismo tiempo y durante 3 segundos. Repita el proceso para volver a modificar la pantalla a grados Fahrenheit (°F).



Control Remoto

7. Teclas de Delay (Retardo)/ Delay 1-24hr (Retardo 1-24h)

Delay ON (ENCENDIDO Retardo)—Cuando el acondicionador de aire está apagado, puede ajustarse para que se encienda automáticamente dentro de 1 a 24 horas en el modo y configuración de ventilador anterior.

Delay OFF (APAGADO Retardo)—Cuando el acondicionador de aire está encendido, puede ajustarse para que se apague automáticamente dentro de 1 a 24 horas.

Cómo realizar el ajuste:

Pulse la tecla **Delay 1-24hr (Retardo 1-24h)** en la unidad o **Delay pad (Retardo)** del control remoto. Cada toque de las teclas **Aumento ▲ / Reducción ▼** en la unidad o las teclas **Aumento + / Reducción -** en el control remoto definirá el temporizador en intervalos de 1 hora. La luz de **Set (Ajuste)** se encenderá durante la configuración.

Para revisar el tiempo restante en el Sincronizador i retardo 1-24 h, pulse la tecla de **Delay 1-24hr (Retardo 1-24h)** en la unidad o **Delay pad (Retardo)** en el control remoto. Utilice las teclas **Aumento ▲ / Reducción ▼** en la unidad o las teclas **Aumento + / Reducción -** en el control remoto para definir un nuevo tiempo, si lo desea.

Para cancelar el sincronizador, pulse la tecla **Delay 1-24hr (Retardo 1-24h)** hasta que la luz e dicho control se apague.

Controles

Control Remoto

- Para garantizar una operación apropiada, oriente el control remoto hacia el receptor de señal del acondicionador de aire.
- Cerciórese de que no haya nada entre el acondicionador de aire y el control remoto que pueda bloquear la señal.
- El receptor de señal tiene un rango máximo de 20 pies.
- Cerciórese de que las baterías sean frescas y se instalen correctamente según se indica en el control remoto.
- El control remoto cuenta con un imán que permite adherirlo a superficies metálicas.

Modo Heat (Calor)

Use el modo Heat (Calor) en Low (Bajo), Med (Medio), High (Alto) o Auto Fan Speed (Velocidad de Ventilador Automático) para calentar. Use las teclas Temperature Increase (Incremento de Temperatura) ▲ / Decrease (Reducción) ▼ para configurar la temperatura deseada entre 61°F y 86°F en incrementos de 1°F.

El termostato de temperatura se usa para mantener la temperatura del ambiente. El calentador realizará el ciclo de encendido y apagado para mantener la habitación en el nivel de confort configurado.

Modo Cool (Frío)

Use el modo Cool (Frío) a Low (Bajo), Med (Medio), High (Alto) o Auto Fan Speed (Velocidad de ventilador automática) para enfriar. Use las teclas de Temperature (Temperatura) Aumento ▲ (+) / Reducción ▼ (-) para ajustar a la temperatura deseada entre 61°F y 86°F en incrementos de 1°F.

Se usa un termostato electrónico para mantener la temperatura ambiente. El compresor hará ciclo entre apagado y encendido para mantener la habitación a la temperatura deseada. Ajuste el termostato a un número menor y el aire interno se enfriará más. Si lo ajusta a un número mayor, la temperatura del aire interno se calentará más.

NOTA: si el acondicionador de aire está apagado y se enciende mientras está configurado en un ajuste Cool (Frío) o si se cambia de un ajuste de ventilador a uno de Cool (Frío), puede que pasen aproximadamente unos 3 minutos hasta que el compresor arranque y comience el enfriamiento.

Descripciones de enfriamiento

Para enfriamiento normal—Seleccione el modo Cool (Frío) y ventilador High (Alto) o Med (Medio) con una temperatura de ajuste media.

Para enfriamiento máximo—Seleccione el modo Cool (Frío) y ventilador High (Alto) con una temperatura de ajuste menor.

Para enfriamiento silencioso y enfriamiento nocturno—Seleccione el modo Cool (Frío) y ventilador Low (Bajo) con una temperatura de ajuste media.

Energy Saver Mode (Modo de ahorro de energía)

Controla el ventilador.

ON (ENCENDIDO)—El ventilador hará un ciclo de encendido y apagado con el compresor. Este resulta en variaciones mayores en la temperatura de la habitación y en la humedad. Normalmente usado cuando la habitación no está ocupada.

NOTA: puede que el ventilador siga funcionando durante un corto tiempo después de desactivarse el ciclo del compresor.

OFF (APAGADO)—El ventilador funciona todo el tiempo, mientras que el compresor pasa por los ciclos de encendido y apagado.

Controles

Modo de Fan Only (Solo ventilador)

Use el modo **Fan only (Solo ventilador)** a velocidad **Low (Baja)**, **Med (Media)** o **High (Alta)** para proporcionar circulación de aire y filtración sin enfriamiento. Debido a que los niveles de ventilador únicamente no proporcionan enfriamiento, no se puede introducir una temperatura **Definida**. Aparecerá en pantalla la temperatura ambiente.

NOTA: La Velocidad de ventilador automática no puede utilizarse en el modo **Fan only (Solo ventilador)**.

Velocidad de ventilador automática

Indique la opción en Velocidad de ventilador automática para definir automáticamente la velocidad necesaria para proporcionar una configuración de comodidad óptima con la temperatura elegida.

Si la habitación necesita más enfriamiento, la velocidad del ventilador aumentará automáticamente. Si la habitación necesita menos enfriamiento, la velocidad del ventilador descenderá automáticamente.

NOTA: La **Auto Fan Speed (Velocidad de ventilador)** automática no puede utilizarse en el modo **Fan only (Solo ventilador)**.

Pantalla de Control Encendida y Apagada

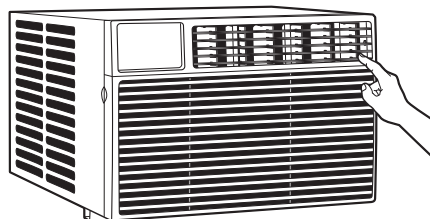
A fin de reducir el brillo durante las horas de sueño, la pantalla de control de este acondicionador de aire cuenta con una función de apagado automático, donde la pantalla de control se apagará completamente luego de 2 minutos de inactividad. Para iluminar la interface del control, presione cualquier botón de la pantalla de control o del control remoto. La pantalla de control iluminará todas las luces LED previamente iluminadas. La interface de control responderá ahora cuando se presione cualquier botón indicado una vez que éste se encuentre iluminado.

Función de recuperación de pérdida de energía

En caso de la pérdida de la energía o interrupción, la unidad reiniciará automáticamente en las funciones de la última vez que fue usado una vez la energía sea restablecida. Si la función del **Delay 1–24hr (Retardo 1–24h)** estaba definido, continuará la cuenta regresiva. Es posible que usted necesite ajustar un tiempo nuevo si así lo desea.

Dirección del aire

Use la palanca para ajustar la dirección del aire hacia la izquierda y la derecha solamente.



Cuidado y Limpieza

Rejilla y caja

Apague el acondicionador de aire y retire el enchufe del tomacorriente de la pared antes de limpiar.

Para limpiar, use agua y un detergente suave. No use cloro o materiales abrasivos.

Filtro de aire

El filtro de aire detrás de la rejilla frontal debe inspeccionarse y limpiarse por lo menos cada 30 días o más a menudo si fuese necesario.

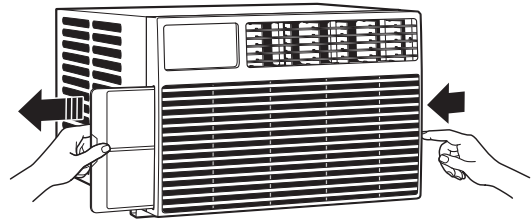
Para retirarlo:

Empuje en un lado del borde del filtro y tirelo del otro lado.

Limpie el filtro con agua tibia y jabón. Enjuáguelo y permita que se seque antes de colocarlo otra vez en su lugar. No lave el filtro en un lavavajillas.

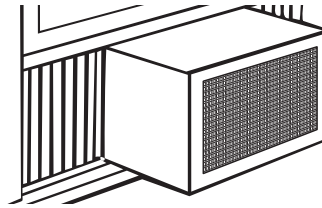
⚠ PRECAUCIÓN

NO OPERE el acondicionador de aire sin el filtro debido a que la suciedad y las pelusas lo obstruirán y reducirán su rendimiento.



Bobinas para exteriores

Se deben inspeccionar con frecuencia las bobinas en el lado exterior del acondicionador de aire. Si las mismas están obstruidas con suciedad u hollín, podrían limpiarse profesionalmente.



Cómo insertar las pilas en el control remoto

1. Retire la cubierta de la pila deslizándola de acuerdo con la dirección de la flecha.
2. Inserte pilas nuevas cerciorándose de que los polos positivos (+) y negativos (-) están orientados correctamente.
3. Coloque la cubierta otra vez deslizándola en su lugar.

NOTAS:

- Use 2 pilas alcalinas "AAA" de 1,5 voltios. No use pilas recargables.
- Retire las pilas del control remoto si no va a usar el sistema por un período prolongado.
- No mezcle baterías nuevas y viejas. No mezcle baterías alcalinas, estándar (carbono-cinc) o recargables (ni-cad, ni-mh, etc).

Instrucciones de instalación

¿Preguntas? Llame 800.GE.CARES (800.432.2737) o visite nuestra página en la red en: GEAppliances.com

ANTES DE INICIAR

Lea estas instrucciones completa y cuidadosamente.

- **IMPORTANTE** — Guarde estas instrucciones para uso del inspector local.
- **IMPORTANTE** — Observe todos los códigos y órdenes de ley.
- **Nota al instalador** – Asegúrese de dejar estas instrucciones con el consumidor.
- **Nota al consumidor** – Conserve estas instrucciones para referencia futura.
- **Nivel de destreza** – La instalación de este aparato requiere de destrezas mecánicas básicas.
- **Tiempo de ejecución** – Aprox. 1 hora
- Recomendamos dos personas para la instalación de este producto.
- La instalación apropiada es la responsabilidad del instalador.
- La falla del producto debido a una instalación inadecuada no está cubierta por la garantía.
- Cuando instale este acondicionador de aire, DEBE usar todas las piezas suministradas y usar procedimientos adecuados de instalación.

⚠ PRECAUCIÓN

Si los tornillos de soporte del umbral no tienen contacto con el umbral de la ventana o si cuenta con una ventana sin umbral, debe ordenar el kit de accesorios **RAK87** para instalar de forma adecuada este acondicionador de aire. Llame a **877.959.8688** o visite GEApplianceparts.com.

Requisitos eléctricos



Algunos modelos requieren tomacorrientes de 115/120 voltios de corriente alterna y 60 Hz conectados a tierra, protegidos con un fusible de dilatación de tiempo de 15 amperios o un cortacircuitos.

El enchufe de tres púas con conexión a tierra minimiza la posibilidad de descargas eléctricas. Si el tomacorriente de la pared que usted planea usar solamente tiene 2 tomas, es su responsabilidad hacer que un técnico lo reemplace por uno de tres tomas con conexión a tierra.



Algunos modelos requieren 230/208 voltios, de corriente alterna, protegidos por un fusible de dilatación de tiempo o un cortacircuitos.



Estos modelos deberían instalarse en un ramal exclusivo del circuito para un rendimiento más notable y para prevenir sobrecargas en los circuitos de cableados de su casa o apartamento, lo cual podría representar un riesgo de incendio por el sobrecalentamiento de los alambres.

⚠ PRECAUCIÓN

Bajo ninguna circunstancia corte o remueva la tercera púa (conexión a tierra) del cable eléctrico.

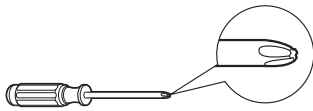
No cambie el enchufe en el cable eléctrico de este acondicionador de aire.

Los cables caseros de aluminio podrían presentar problemas especiales. Consulte a un técnico electricista calificado.

HERRAMIENTAS QUE NECESITARÁ



Llave ajustable



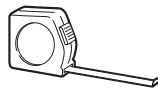
Un destornillador de estrella



Un destornillador con hoja plana



Lápiz



Una regla o cinta métrica



Nivel

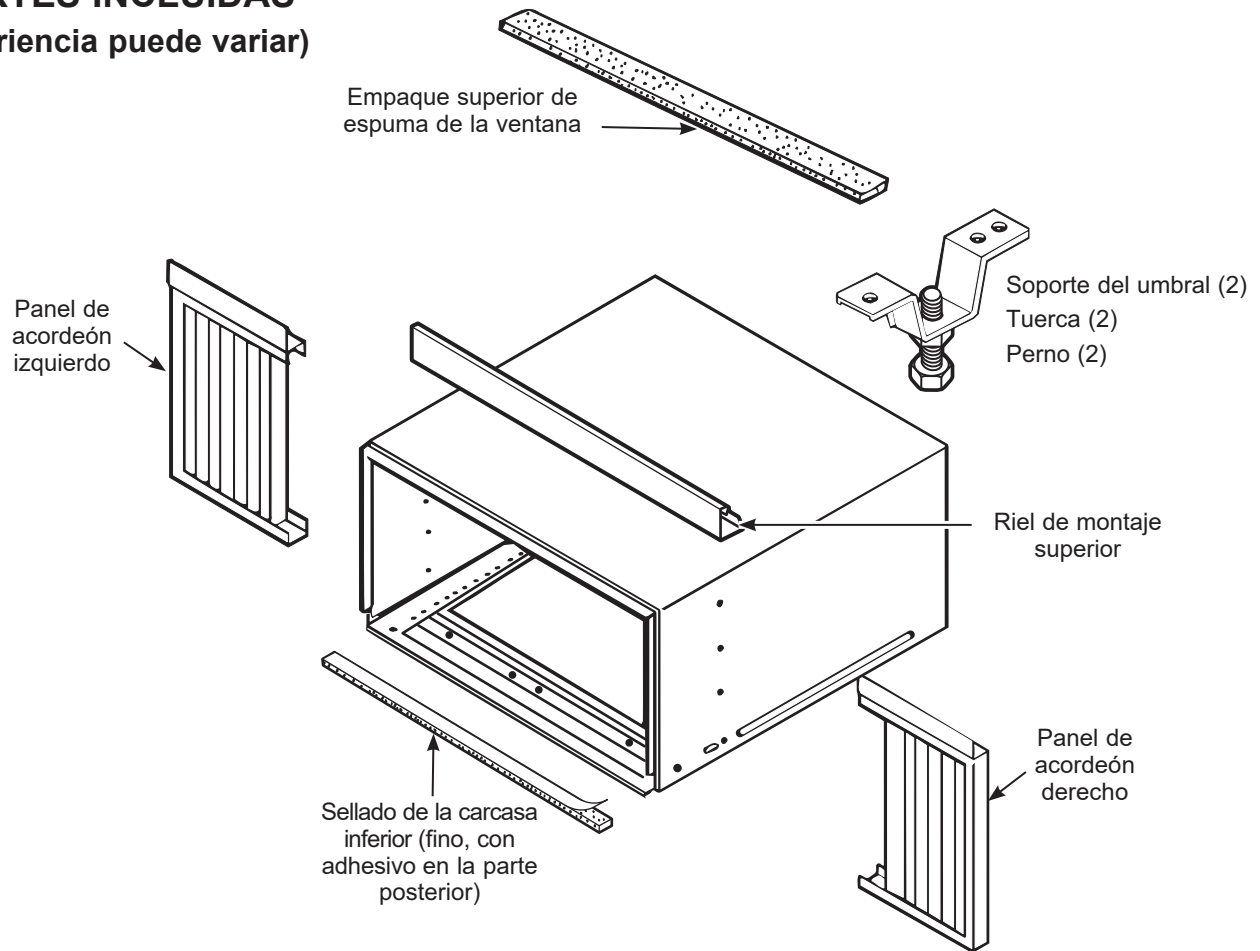


Tijeras o cuchilla

El cable de alimentación incluye un dispositivo para interrupción de corriente. Se incluye un botón de prueba y de reinicio en el dispositivo. El dispositivo debe ponerse a prueba periódicamente: primero se presiona el botón de **TEST** (prueba) y luego **RESET** (reinicio) mientras se encuentra enchufado al tomacorriente. Si el botón **TEST** no se dispara o si el botón **RESET** no queda enganchado, deje de utilizar el acondicionador de aire y comuníquese con un técnico calificado.

Instrucciones de instalación

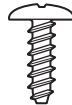
PARTES INCLUIDAS (aparencia puede variar)



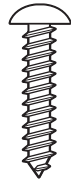
Tipo A (6)



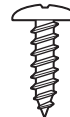
Tipo B (7)



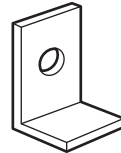
Tipo C (6)



Tipo D (3)



Soporte para bloqueo de ventana (2)



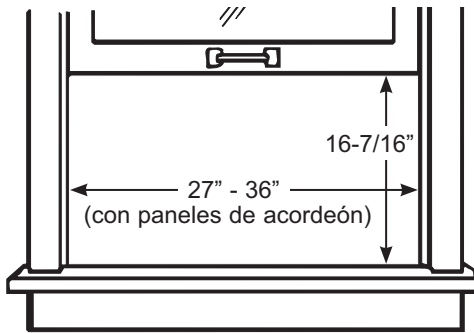
Instrucciones de instalación

1. REQUISITOS PARA LA VENTANA

- Estas instrucciones son para una ventana estándar de dos pliegues. Usted necesitará modificar el proceso para otros tipos de ventanas.

⚠PRECAUCIÓN Si los tornillos de soporte del umbral no tienen contacto con el umbral de la ventana o si cuenta con una ventana sin umbral, debe ordenar el kit de accesorios **RAK87** para instalar de forma adecuada este acondicionador de aire. Llame a **877.959.8688** o visite **GEApplianceparts.com**.

- El acondicionador de aire puede instalarse sin los paneles de acordeón para ajustarse a una ventana más estrecha. Ver las dimensiones de la abertura de la ventana.
- Todas las partes de apoyo deben quedar totalmente aseguradas a algún metal, mampostería o a la madera.
- El tomacorriente eléctrico debe estar al alcance del cable eléctrico del acondicionador de aire.



2. REQUISITOS DE UNA VENTANA DE TORMENTAS

Un marco de ventana de tormentas no permitirá que el acondicionador de aire se incline hacia el exterior y evitará que drene apropiadamente. Para solucionar este problema, adhiera un pedazo de madera a el umbral.

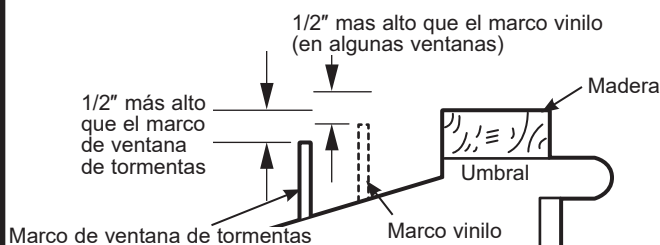
PEDAZOS DE MADERA

ANCHO: 2

LONGITUD: Lo suficientemente largo como para ajustar en el interior del marco de la ventana.

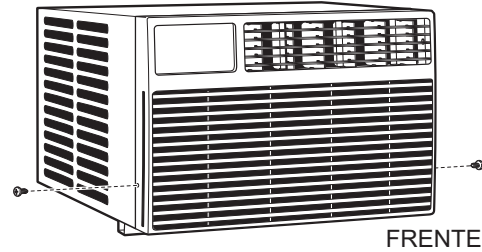
GRUESO: Para determinar el grueso, coloque un pedazo de madera en el umbral para hacerla 1/2" más alta que la parte superior del marco de la ventana de tormentas o del marco vinilo.

Péguelo firmemente con clavos o con tornillos proporcionados por el instalador.



3. QUITE EL ACONDICIONADOR DE AIRE DE LA CARCASA

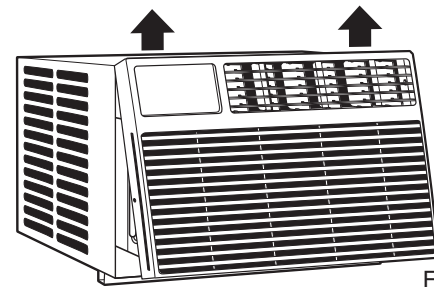
- A.** Quite y conserve los 2 tornillos de los lados inferiores de la parrilla frontal.



FRENTE

- B.** Tome las esquinas inferiores de la parrilla mientras presiona hacia adentro sobre los costados de la carcasa con sus dedos. Tire hacia afuera para liberar y levántelo.

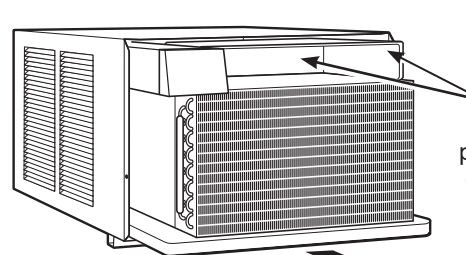
NOTA: No tire del borde inferior hacia usted más de 3" porque puede dañar las lengüetas de la parrilla.



FRENTE

- C.** Cuando se retire la parrilla del frente, el panel de control aún se encontrará adjunto por un arnés.

- D.** Quite y conserve el tornillo de cable a tierra. Deslice el acondicionador de aire de la carcasa tomando la manija de la bandeja inferior y tirando hacia adelante mientras se sujeta la carcasa. No tire o levante el área de descarga de poliestireno.

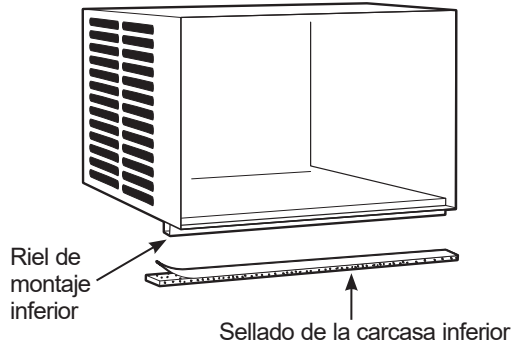


No tire o levante esta zona porque pueden provocarse daños a la unidad.

FRENTE

4. INSTALE EL SELLADO DE LA CARCASA INFERIOR

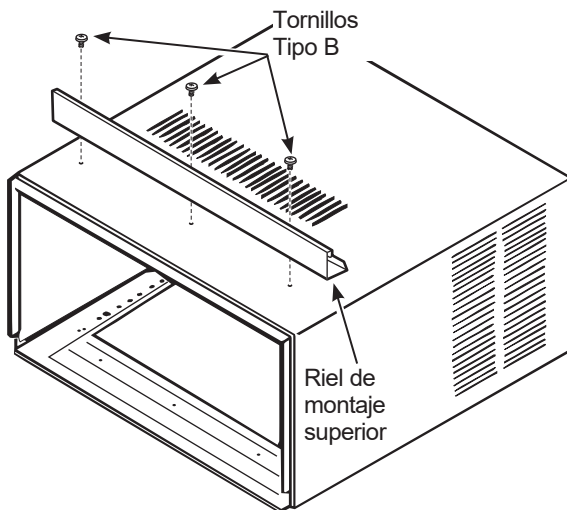
- Pele el papel que cubre el sellado de la carcasa inferior e instálelo a lo largo de la parte inferior de la carcasa frente al riel de montaje inferior.



5. INSTALE EL RIEL DE MONTAJE SUPERIOR EN LA CARCASA

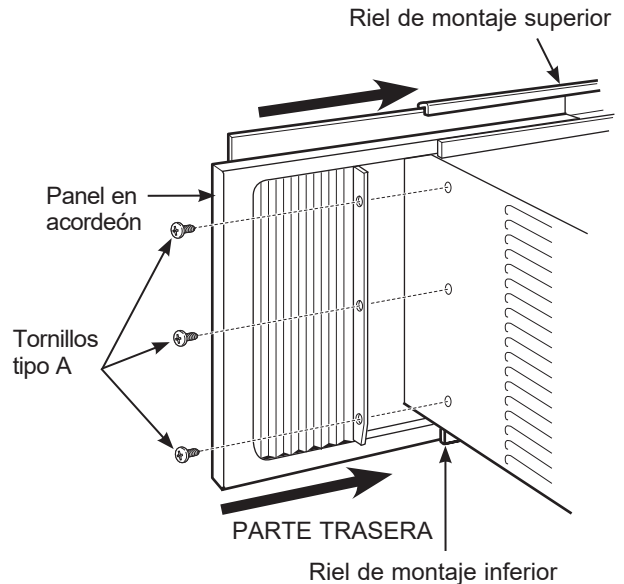
- Sujete el riel de montaje superior a la parte superior de la carcasa con 3 tornillos tipo B.

Presione firmemente para introducir los tornillos dentro de la junta y a través del riel de montaje superior.



6. INSTALE LOS PANELES EN ACORDEÓN LATERALES

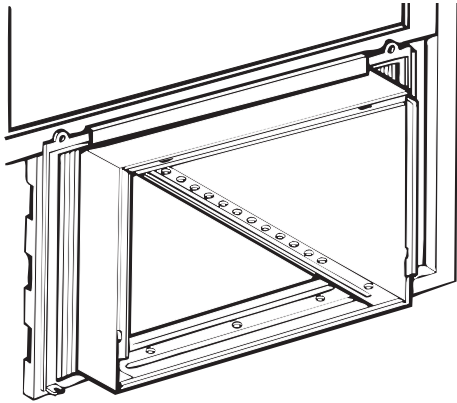
- A. Deslice los paneles en acordeón izquierdo y derecho dentro de los rieles de montaje superior e inferior.
- B. Sujete los paneles en acordeón a la carcasa utilizando 3 tornillos tipo A en cada lado.



Instrucciones de instalación

7. INSTALE CARCASA EN VENTANA

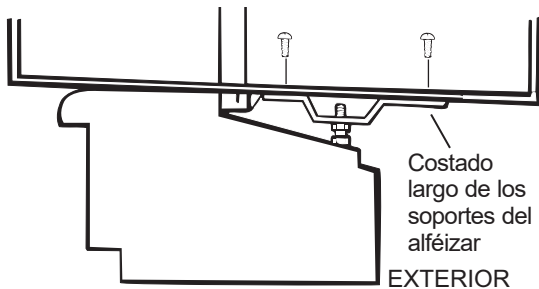
- A. Abra la ventana y marque la línea central del alféizar de la ventana.
- B. Con cuidado coloque la carcasa en el alféizar de la ventana y alinee la marca central sobre el frente inferior con la línea central del alféizar.
- C. Baje la ventana detrás del riel de montaje superior.



NOTA: No cierre la ventana con tanta firmeza para que el movimiento de los paneles en acordeón se vea restringido.

- D. Seleccione la posición en la que los soportes del alféizar quedarán más cerca del punto más alejado del alféizar. Coloque el lado corto de los soportes del alféizar, en la parte inferior de la carcasa, hacia la ventana. Sujete los soportes del alféizar al orificio de la carcasa en relación con la posición seleccionada utilizando 2 tornillos tipo B en cada soporte.

⚠ PRECAUCIÓN No instale este acondicionador de aire en una ventana si los pernos no hacen contacto con el alféizar de la ventana.

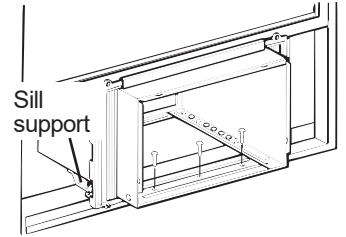


- E. Ajuste el tornillo y la tuerca de cada soporte de modo que la carcasa quede instalado con una ligera inclinación hacia el exterior. Utilice un nivel; la inclinación correcta hacia el exterior no deberá ser de más de 1/2 burbuja.

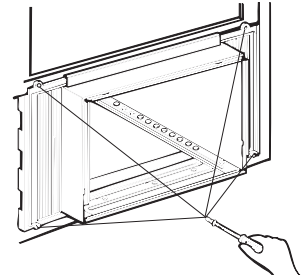
⚠ PRECAUCIÓN Si los tornillos de soporte del umbral no tienen contacto con el umbral de la ventana o si cuenta con una ventana sin umbral, debe ordenar el kit de accesorios **RAK87** para instalar de forma adecuada este acondicionador de aire. Llame a 877.959.8688 o visite GEApplianceparts.com.

7. INSTALE CARCASA EN VENTANA (CONT.)

- F. Fije la carcasa al alféizar de la ventana utilizando 3 tornillos tipo D.

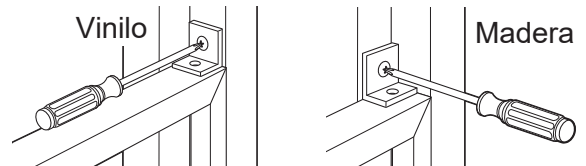


- G. Tire los paneles en acordeón hacia cada carril de los marcos de la ventana. Sujételos sobre cada lado al marco de la ventana y al alféizar de la ventana utilizando 4 tornillos tipo C.



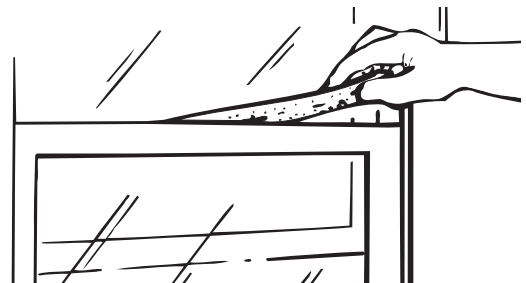
8. FIJE LA CARCASA EN LA VENTANA E INSTALE LA JUNTA SUPERIOR DE ESPUMA DE LA VENTANA

- A. **⚠ PRECAUCIÓN** En ventanas construidas de vinilo o de similar construcción, conecte los soportes de bloqueo de la ventana para prevenir daño a la ventana y vidrio quebrado.



Sujete los soportes de bloqueo de la ventana (uno en cada lado) con tornillos tipo C.

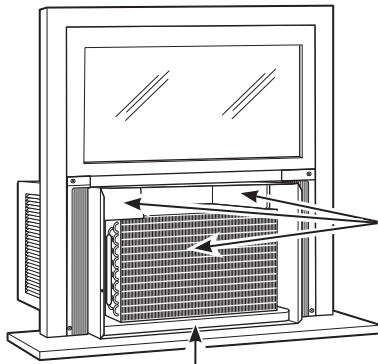
- B. Corte la junta de espuma superior de la ventana al ancho de la ventana.
- C. Rellene la espuma entre el vidrio y la ventana para evitar que aire e insectos se introduzcan en la habitación.



NOTA: Si la junta provista no es adecuada para su ventana, obtenga el material apropiado localmente para realizar una adecuada instalación de sellado.

9. INSTALE EL ACONDICIONADOR EN LA CARCASA

- A. Deslice el acondicionador de aire dentro de la carcasa de la bandeja inferior. No haga presión sobre los controles, carcasa de poliestireno de la descarga de aire o las serpentinas de aletas. Verifique que el acondicionador de aire se encuentre firmemente asentado.

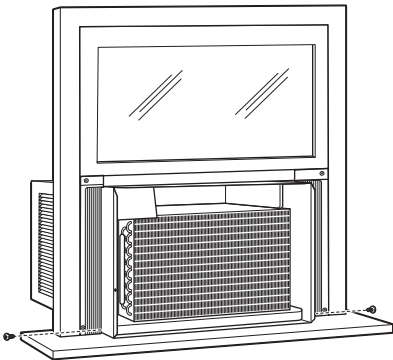


No presione en estas áreas porque puede dañarse la unidad.

Bandeja inferior

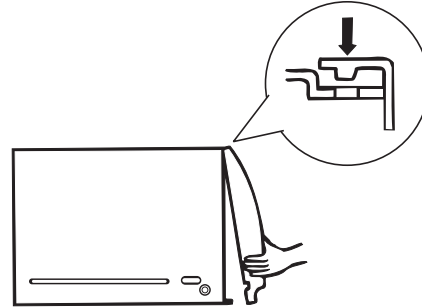
- B. Vuelva a instalar los 2 tornillos quitados antes, uno en cada lado de la carcasa.

IMPORTANTE: LOS TORNILLOS DE CONEXIÓN A TIERRA DEBERÁN SER REINSTALADOS PARA ASEGURAR UNA CONEXIÓN A TIERRA ADECUADA.

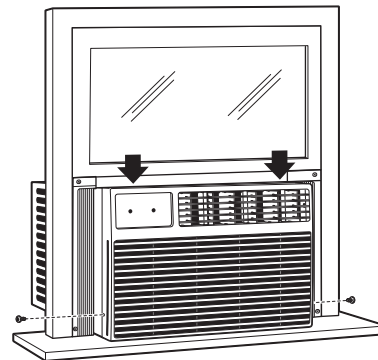


9. INSTALE EL ACONDICIONADOR EN LA CARCASA (CONT.)

- C. Sujete la parrilla frontal a la carcasa introduciendo las lengüetas de la parrilla dentro de las ranuras de la parte superior frontal de la carcasa. Presione la parrilla hacia adentro.



- D. Fije la parrilla frontal a la carcasa reinstalando los 2 tornillos quitados con anterioridad. Haga presión sobre la parte superior de la parrilla para ayudar con la instalación de tornillos laterales.



- E. Conecte la electricidad.

Instrucciones de Instalación a Través de la Pared—Opcional

La carcasa puede instalarse a través de la pared en construcciones existentes y nuevas.

Lea por completo y luego siga todos los pasos.

NOTA: Con excepción de los montajes de soportes en V (incluidos), obtenga todos los materiales en forma local para montar el acondicionador de aire a través de la pared.

1. IMPORTANTE

La instalación a través de la pared no es apropiada si alguna de las persianas laterales o superiores de la carcasa quedarán obstruidas por la pared.

Todas las persianas laterales y superiores de la carcasa deben proyectarse sobre la pared exterior de la pared.

El lado interior de la carcasa debe proyectarse dentro de la habitación lo suficiente para potenciar al máximo el equilibrio de la unidad.

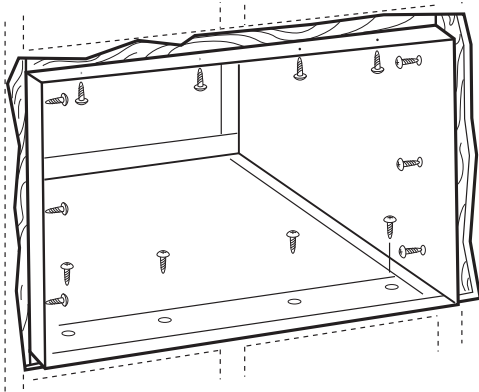
La carcasa debe estar instalada de lado a lado y con una pequeña inclinación del frente hacia la parte trasera. Utilice un nivel; la inclinación correcta de la carcasa hacia el exterior no deberá ser de más de 1/2 burbuja.

Se requiere un ángulo de dintel para sostener ladrillos o bloques sobre la abertura.

Se requiere un revestimiento de aislación que debe extenderse por la longitud de la abertura para asegurar que no haya pérdidas en las cavidades internas.

A. Quite el acondicionador de aire de la caja. Para instrucciones específicas, consulte las Instrucciones de instalación en una ventana.

B. Asegúrese de que haya un tomacorriente cerca de la ubicación del orificio o efectúe arreglos para instalar un tomacorriente.



C. Coloque la carcasa en la abertura de la pared y coloque guías de soporte de madera entre la parte inferior de la carcasa y el revestimiento de aislación sobre ambos lados del riel inferior. Deben ser de la misma altura del riel inferior y de la misma longitud de la abertura de la pared.

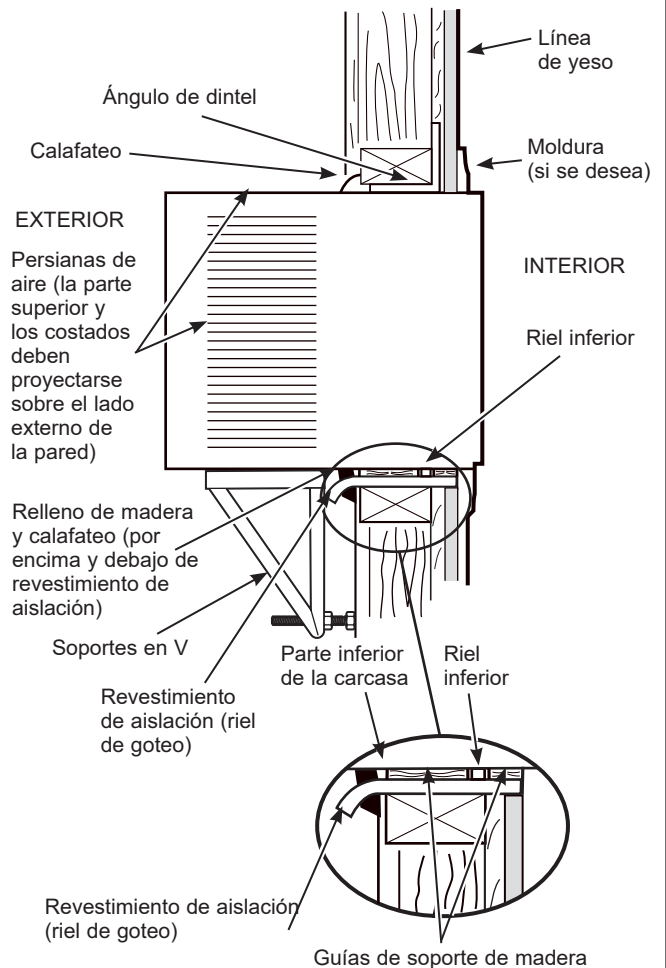
1. IMPORTANTE (CONT.)

D. Fije con 14 tornillos para madera sujetos por lo menos una pulgada dentro de la estructura de soporte de la pared.

NOTA: Perfore orificios piloto, si fuera necesario, para una instalación adecuada. Si el armazón es más grande, utilice cuñas para prevenir la deformación de la carcasa.

2. TERMINE LA ABERTURA DE LA PARED

A. Utilice calafateo en los cuatro costados del lado exterior de la carcasa para que no ingrese humedad a la parte interna. El uso de revestimiento de aislación (riel de goteo) evitará aún más el ingreso de agua dentro de la pared y en la parte exterior del edificio.



B. Coloque el acondicionador de aire dentro de la carcasa. Para instrucciones específicas, consulte las Instrucciones de instalación en una ventana.

Solucionar problemas

¡Ahorre tiempo y dinero! Primero revise los cuadros que aparecen en las siguientes páginas y es posible que no necesite solicitar reparaciones.

Problema	Causas posibles	Qué hacer
El acondicionador de aire no enciende	El acondicionador de aire está desconectado.	Cerciórese de que el acondicionador de aire está enchufado totalmente en el tomacorriente.
	El fusible se disparó / el cortacircuitos se disparó.	Inspeccione los fusibles / caja de interruptores de la casa y reemplace cualquier fusible o reajuste el interruptor.
	Interrupción en el suministro eléctrico.	La unidad se reiniciará automáticamente con la configuración utilizada por última vez luego de reestablecer la electricidad. Existe un retraso de tiempo por protección (de aproximadamente 3 minutos) para evitar la desconexión por sobrecarga del compresor. Por esta razón, es posible que la unidad no arranque el enfriamiento o calentamiento normal durante 3 minutos después de encenderlo.
	El dispositivo de interrupción de corriente se ha activado.	Presione el botón RESET ubicado en el cable de alimentación. Si el botón RESET no se mantiene en su lugar, no utilice más el acondicionador de aire y comuníquese con un técnico calificado.
El acondicionador de aire se está congelando	El hielo bloquea el flujo de aire hacia el acondicionador de aire evitando que se enfríe la habitación.	Coloque los controles en Fan (Ventilador solamente) ó High Cool (Frío Alto) y ajuste el termostato una temperatura más alta.
El acondicionador de aire no enfría como debería	El flujo de aire está restringido.	Cerciórese de que no existe ninguna cortina, persiana o mueble bloqueando el frente del acondicionador de aire.
	El control de temperatura no está ajustado apropiadamente.	En el modo Cool (Frío) , presione la tecla Reducción - .
	El filtro de aire está sucio.	Limpie el filtro cada 30 días por lo menos. Ver la sección de Cuidado y limpieza.
	La habitación podría haber estado caliente.	Cuando el acondicionador de aire se enciende, usted necesita darle tiempo para que enfríe la habitación.
	El aire frío se está escapando.	Cerciórese de que los registros de la calefacción no están abiertos y se encuentran retornando el aire frío.
	Las bobinas de enfriamiento se congelaron.	Ver "Acondicionador de aire congelándose" más adelante.
El acondicionador de aire no calienta como debería	El flujo de aire está restringido.	Cerciórese de que no existe ninguna cortina, persiana o mueble bloqueando el frente del acondicionador de aire.
	El control de temperatura no está ajustado apropiadamente.	En el modo Heat (Calor) , presione la tecla Aumento + .
	El filtro de aire está sucio.	Limpie el filtro cada 30 días por lo menos. Ver la sección de Cuidado y limpieza.
	La habitación podría haber estado fría.	Cuando recién se enciende el acondicionador de aire, debe pasar un tiempo hasta que la habitación se caliente.
	El aire caliente se escapa.	Cerciórese de que los registros de la calefacción no están abiertos y se encuentran retornando el aire frío.
El control remoto no funciona	Las baterías están insertadas incorrectamente.	Inspeccione la posición de las baterías. Deben estar insertadas en la posición indicada, (+) y (-).
	Las baterías están agotadas.	Reemplace las baterías.
Hay agua goteando afuera	Tiempo húmedo y caliente.	Esto es normal.
Hay agua goteando en el interior de la habitación	El acondicionador de aire no está inclinado hacia afuera.	Para drenar el agua apropiadamente, cerciórese de que el acondicionador de aire está inclinado ligeramente desde el frente hacia atrás.
Se acumula agua en la bandeja	La humedad removida del aire y se drena hasta la bandeja.	Esto es normal por un corto período en áreas con poca humedad; normal por un período de tiempo más postergado en áreas más húmedas.

Solucionar problemas

Sonidos de operación normales

- Quizás escuche un sonido metálico causado por el agua tomada y tirada contra el condensador en los días lluviosos o cuando la humedad es alta. Esta característica de diseño ayuda a remover la humedad y mejora la eficiencia.
- Quizás escuche que el termostato hace clic cuando el compresor hace ciclo entre encendido y apagado.
- El agua se acumula en la bandeja durante días lluviosos o con mucha humedad. El agua podría derramarse y gotear desde el lado externo de la unidad.
- El ventilador podría funcionar aun si el compresor no lo hace.

Garantía de su acondicionador de aire—garantía limitada de un año

Todos los servicios de garantía los proporcionan nuestros Centros de Reparación de Fábrica o nuestros técnicos Customer Care® autorizados. Para concertar una cita de reparación, en línea, 24 horas al día, visítenos al **GEAppliances.com**, o llame GE Appliances al 800.GE.CARES (800.432.2737). Cuando llame para solicitar servicio, por favor tenga a mano el número de serie y el número de modelo.

Por el período de:	GE Appliances reemplazará:
Un año A partir de la fecha de la compra original	Cualquier parte del acondicionador de aire que falle debido a defectos en los materiales o en la fabricación. Durante esta garantía limitada de un año , GE también proporcionará, sin costo alguno , toda la mano de obra y el servicio relacionado—para reemplazar partes defectuosas.

Lo que no está cubierto:

- **Viajes de servicio a su casa para mostrarle cómo funciona el equipo.**
- **Reemplazo de fusibles de la casa o reajuste del sistema de circuitos.**
- **Instalación o entrega inapropiada, o mantenimiento impropio.** Si usted tiene un problema durante la instalación, o si su acondicionador de aire no tiene la capacidad de enfriamiento que usted necesita, póngase en contacto con nuestro distribuidor o instalador. Usted es responsable de proporcionar las facilidades de conexión eléctrica necesarias.
- **Fallos debido a la corrosión en modelos que no están protegidos contra la corrosión.**
- **Fallo del producto resultante de modificaciones al producto o debido a uso irrazonable incluyendo no proporcionar mantenimiento razonable y necesario.**
- **Daño al producto causado por voltaje inapropiado hacia el equipo, accidentes, incendios, inundaciones o actos de la naturaleza de fuerza mayor.**
- **En locales comerciales, la mano de obra necesaria para retirar la unidad hacia un lugar para revisión por parte de un técnico individual.**
- **Daños incidentales o consecuenciales causados por defectos posibles con este acondicionador de aire.**
- **Daños después de la entrega.**

EXCLUSIÓN DE GARANTÍAS IMPLÍCITAS—Su único y exclusivo derecho es la reparación del producto, tal y como se indica en esta Garantía limitada. Cualquier garantía implícita, incluyendo las garantías implícitas de comerciabilidad o adecuación para un fin determinado, están limitadas a un año o el período de tiempo más breve permitido por la ley.

Esta garantía se extiende al comprador original y cualquier comprador posterior de productos comprados para uso residencial dentro de Estados Unidos. Si el producto está situado en un área que no dispone de servicio por parte de un proveedor de servicio autorizado de GE Appliances, podría tener que hacerse cargo de los costes de envío o bien podría solicitársele que lleve el producto a una centro de servicio de GE Appliances autorizado para realizar la reparación. En Alaska, la garantía excluye el costo de envío o las visitas de servicio a su casa.

Algunos estados no permiten la exclusión o las limitaciones de daños incidentales o consecuenciales. Esta garantía da derechos legales específicos, y usted podría tener otros derechos que variarán de estado a estado. Para saber cuáles son sus derechos legales, consulte a la oficina de asuntos del consumidor local o la oficina del Attorney General en su localidad.

Garante: GE Appliances, a Haier company

Abroche su recibo aquí. Para acceder al servicio técnico de acuerdo con la garantía deberá contar con la prueba de la fecha original de compra.

Soporte al Cliente

GE Appliances Sitio Web

¿Desea realizar una consulta o necesita ayuda con su electrodoméstico? ¡Intente a través del Sitio Web de Electrodomésticos de GE Appliances las 24 horas del día, cualquier día del año! Usted también puede comprar más grandiosos productos de GE Appliances y sacar ventaja de todos nuestros servicios a través de Internet diseñados para su conveniencia. En EE.UU.: GEAppliances.com

Registre su Electrodoméstico

¡Registre su electrodoméstico nuevo a través de Internet, según su conveniencia! Un registro puntual de su producto permitirá una mejor comunicación y un servicio más puntual de acuerdo con los términos de su garantía, en caso de surgir la necesidad. También puede enviar una carta en la tarjeta de inscripción pre-impresa que se incluye con el material embalado. En EE.UU.: GEAppliances.com/register

Servicio Programado

El servicio de reparación de expertos de GE Appliances está a sólo un paso de su puerta. ¡Conéctese a través de Internet y programe su servicio a su conveniencia cualquier día del año! En EE.UU.: GEAppliances.com/ge/service-and-support/service.htm o llame al 800.432.2737 durante el horario comercial habitual.

Garantías Extendidas

Adquiera una garantía extendida de GE Appliances y aprenda sobre descuentos especiales que están disponibles mientras su garantía aún está vigente. La puede adquirir en cualquier momento a través de Internet. Los Servicios de GE Appliances aún estarán allí cuando su garantía caduque. En EE.UU.: GEAppliances.com/ge/service-and-support/shop-for-extended-service-plans.htm o llame al 800.626.2224 durante el horario comercial habitual.

Conectividad Remota

Para solicitar asistencia con la conectividad de red inalámbrica (para modelos con activación remota), visite nuestro sitio Web en GEAppliances.com/ge/connected-appliances/ o llame al 800.220.6899 en EE.UU.

Piezas y Accesorios

Individuos calificados para realizar el servicio técnico de sus propios electrodomésticos podrán solicitar el envío de piezas o accesorios directamente a sus hogares (se aceptan las tarjetas VISA, MasterCard y Discover). Ordene a través de Internet hoy durante las 24 horas del día. En EE.UU.: GEApplianceparts.com o por teléfono al 877.959.8688 durante el horario comercial habitual.

Las instrucciones que figuran en este manual cubren los procedimientos que serán realizados por cualquier usuario. Otros servicios técnicos generalmente deberían ser derivados a personal calificado del servicio. Se deberá tener cuidado, ya que una reparación indebida podrá ocasionar que el funcionamiento no sea seguro.

Contáctenos

Si no se encuentra satisfecho con el servicio que recibió de GE Appliances, comuníquese con nosotros a través de nuestro sitio Web con todos los detalles, incluyendo su número telefónico, o escriba a:

En EE.UU.: General Manager, Customer Relations | GE Appliances, Appliance Park | Louisville, KY 40225 GEAppliances.com/ge/service-and-support/contact.htm