

- en** Installation Instructions
- fr** Notice d'installation
- es** Instrucciones de instalación



BOSCH

Customer Service:
1-800-944-2904

These instructions are intended
for use by qualified installers only

Safety Definitions



WARNING

This indicates that death or serious injuries may occur as a result of non-observance of this warning.



CAUTION

This indicates that minor or moderate injuries may occur as a result of non-observance of this warning.

NOTICE

This indicates that damage to the appliance or property may occur as a result of non-compliance with this advisory.

Note: This alerts you to important information and/or tips.

Table of Contents

Safety Instructions	3
Avoiding General Hazards	4
Tools & Materials	5
Enclosure Requirements	8
Electrical Connections	11
Installation of Mounting Brackets	16
Positioning the Dishwasher	18
Securing the Dishwasher	22
Water Inlet Connection	23
Drain Connection	24
Attaching the Toe Panel	28
Customer Service	31



Important Safety Instructions: **Please READ and SAVE this information**

To avoid possible injury or property damage, OBSERVE ALL WARNINGS AND CAUTIONS.

These instructions are intended for use by qualified installers only. The dishwasher must be installed by a qualified service technician or installer.

- In addition to these instructions, the dishwasher shall be installed to meet all electrical and plumbing codes and ordinances (both national and local).

Read these installation instructions completely and follow them carefully. They will save you time and effort and help to ensure safety and optimum dishwasher performance.

IMPORTANT

- The dishwasher drain hose must be installed with a portion of it at least 33" (84 cm) off the cabinet floor; otherwise the dishwasher may not drain properly.
- This dishwasher is intended for indoor residential use only, and should not be used in commercial food service establishments.
- This dishwasher is designed to be enclosed on the top and both sides by cabinetry.
- **NEW INSTALLATION** - If the dishwasher is a new installation, ensure all connections are properly made before the dishwasher is moved into place.
- **REPLACEMENT** - If the dishwasher is replacing another dishwasher, check the existing dishwasher connections for compatibility with the new dishwasher, and replace parts as necessary.
- This appliance has been found to be in compliance with CAN/CSA-C22.2 No. 167/UL 749. It is the responsibility of the owner and the installer to determine if additional requirements and standards apply in specific installations.
- Not for outdoor use.

Inspect the Dishwasher

After unpacking the dishwasher and prior to installation, thoroughly inspect the dishwasher for possible freight or cosmetic damage. Report any damage immediately. Cosmetic defects must be reported within 30 days of installation. NOTE: Do not discard any bags or items that come with the original package until after the entire installation has been completed.

WARNING

Avoiding General Hazards

To reduce the risk of electric shock, fire, or injury to persons, the installer must ensure that the dishwasher is completely enclosed at the time of installation.

Do not use the dishwasher until it is completely installed. When opening the door on an uninstalled dishwasher, carefully open the door while supporting the rear of the unit. Failure to follow this warning can cause the dishwasher to tip over and result in serious injury.

Before installing the supplied counter top mounting brackets, decide which method will be used to secure the dishwasher into its opening. Once these mounting brackets are installed on the dishwasher, removing them is difficult and will damage the mounting brackets and the dishwasher.

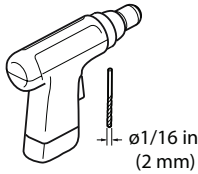
In some conditions, hydrogen gas can form in a hot water system that has not been used for weeks. Hydrogen gas is explosive. Before filling a dishwasher from a system that has been off for weeks, run the water from a nearby faucet in a well ventilated area until there is no sound or evidence of gas.

Removing any cover or pulling the dishwasher from the cabinet can expose hot water connections, electrical power and sharp edges or points. Handle with care.

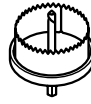
Tools and Materials Needed



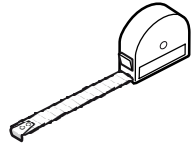
Adjustable Wrench



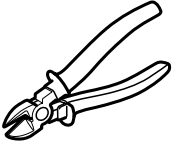
Drill



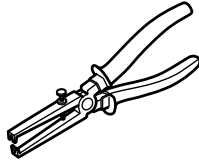
Hole Saw



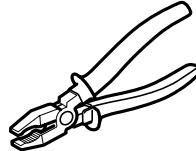
Tape Measure



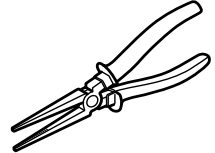
Wire Cutter



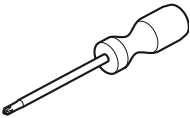
Wire Stripper



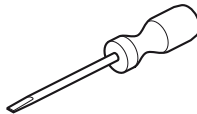
Pliers



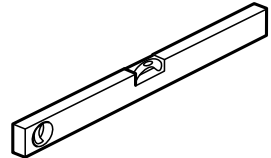
Needle Nose Pliers



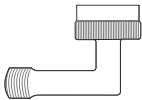
Phillips Screwdriver



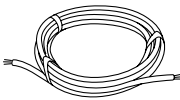
Flat Screwdriver



Level



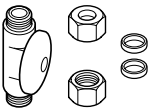
Elbow connection with 3/4" female hose threads on one end and fits your water supply line (copper tubing, compression fitting, or braided hose) on the other.



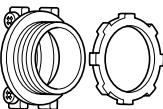
Electrical Supply Cable - Minimum #14 AWG, 2 conductor, 1 ground, insulated copper conductors rated 75° C or higher. Only needed if house electrical line is not adequate.



Hot Water Supply Line - Minimum 3/8" O.D. copper tubing or metal braided dishwasher supply line. Only needed if house water supply line is not sufficient.



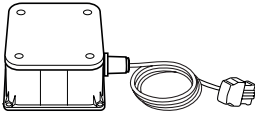
Shut-off valve and fittings appropriate for hot water supply line (copper tubing/compression fitting, or braided hose).



UL listed conduit connector or strain relief is required if you attach the field wiring directly to the terminal block.

Materials supplied (All Models)

A



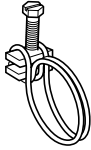
Junction Box

B



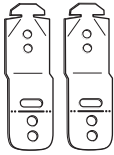
Edge Protector

C



Screw Clamp (for drain hose)

D



Mounting Brackets

E



Mounting Bracket Screws \varnothing 4x13 mm

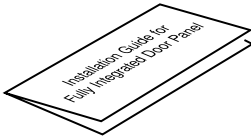
F



Adhesive Backed Cord Clip

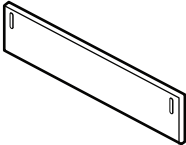
Materials Supplied

(Model Dependent; your dishwasher is supplied with one of the toe panel kits shown below)



Installation Guide for Fully Integrated Door Panel

G



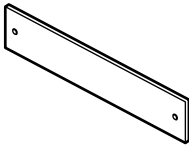
Slotted Toe Panel

H



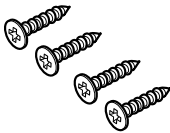
Slotted Toe Panel Screws \varnothing 4x16 mm

I



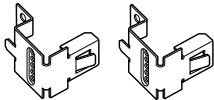
Non-Slotted Toe Panel

J



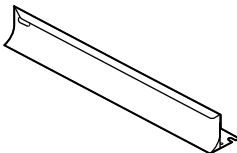
Non-Slotted Toe Panel Screws - Black or silver depending on toe panel color

K



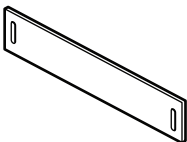
Toe Panel Mounting Brackets (used with non-slotted toe panel shown above)

L



Plastic Toe Panel

M



Slotted Toe Panel (used with Plastic Toe Panel and \varnothing 4x 16 screws, H, listed above)

Enclosure Requirements

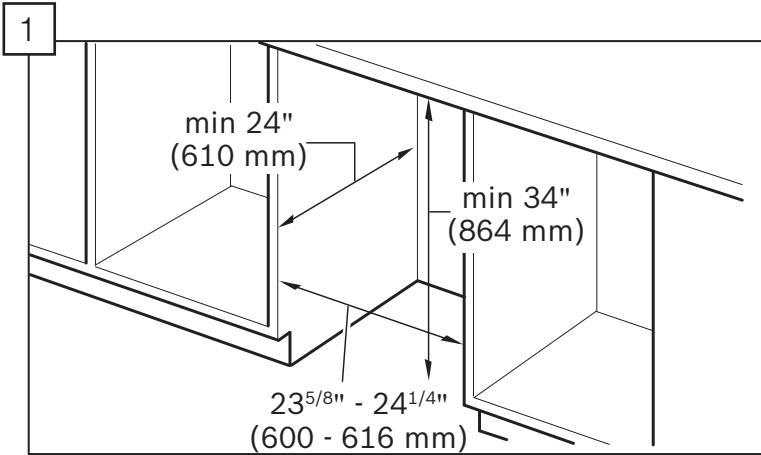
WARNING

Avoid Scalding or Electrical Shock Hazard!

Make sure the water supply and electrical supply are shut off before installation or service.

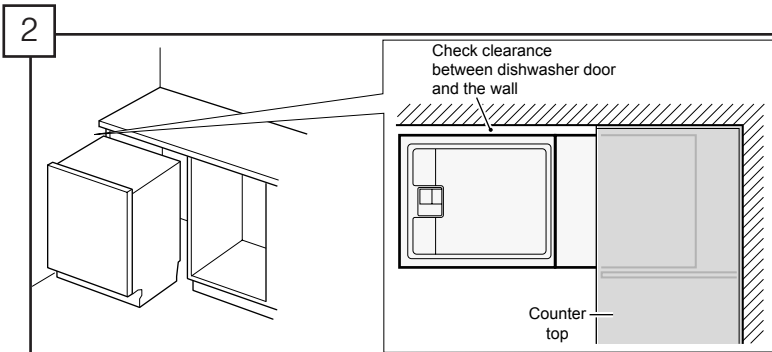
Avoid Electrical Shock/Fire Hazard!

Do not allow the electrical and supply lines to touch.

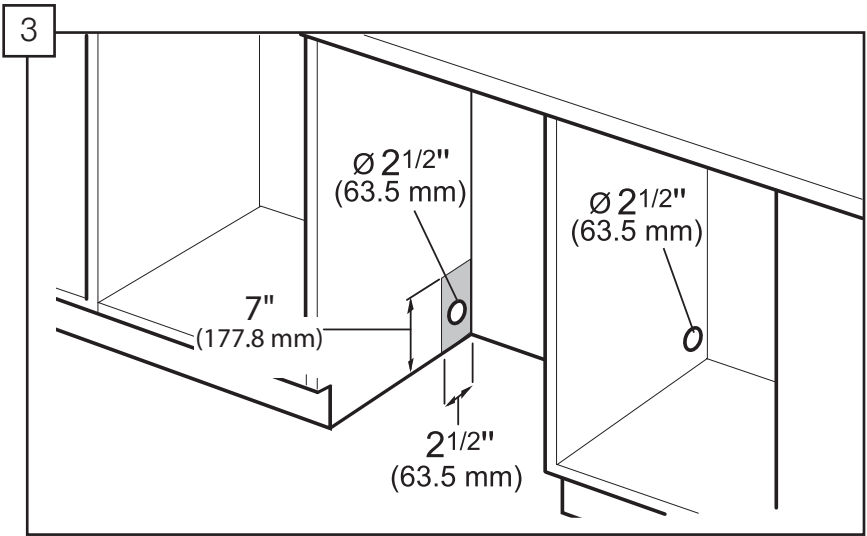


Note: This dishwasher is designed to be enclosed on the top, back and both sides by standard residential kitchen cabinetry.

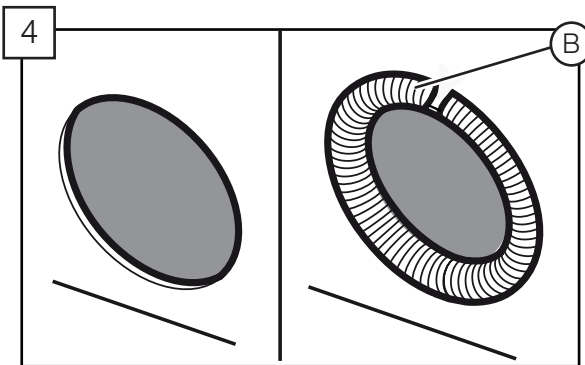
- Select a location as close to the sink as possible for easy access to water supply and drain lines.
- For proper dishwasher operation and appearance, ensure that the enclosure is square and has the dimensions shown.



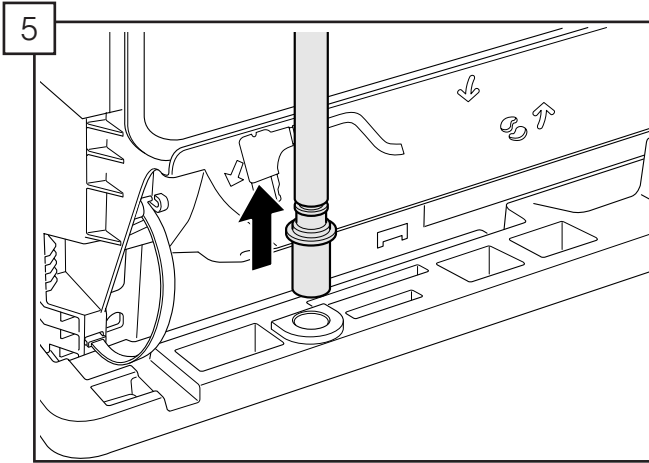
- If the dishwasher is to be installed in a corner, ensure that there is adequate clearance to open the door as shown.



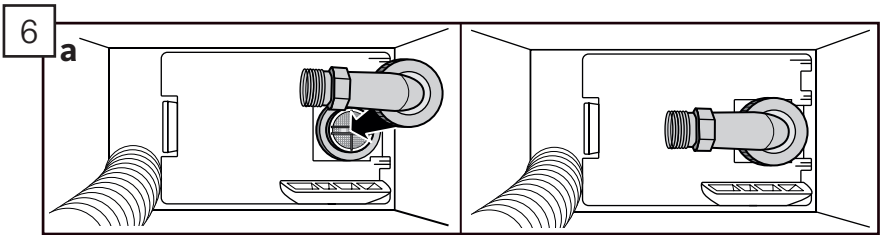
- After locating the proper place for your dishwasher, create required openings in your cabinets in order to allow for water, drain and electrical lines on the appropriate side.
- The holes should be cut within the 7 x 2.5" area shown.



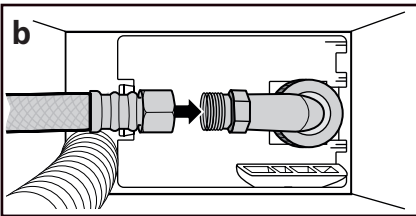
- If the opening is made through wood, sand it smooth.
- If the opening is made through metal, use the provided edge protector (B) or other approved method to protect wiring from damage.



- Pull the drain hose out of the packaging base as shown.
- Set toe panel aside for later use.



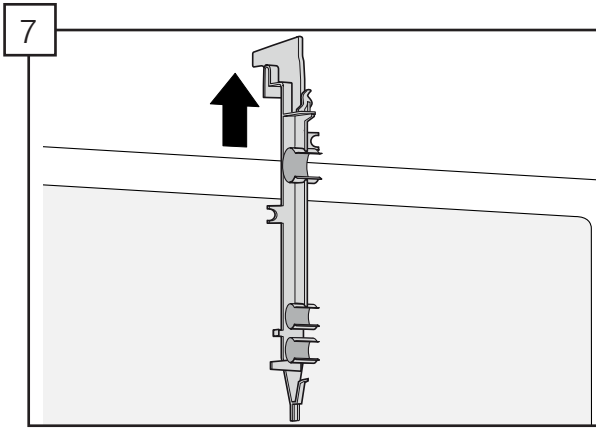
- Attach elbow joint to dishwasher as shown. Do not overtighten.



- Attach hot water line to elbow.

NOTICE

Avoid cross-threading! It will cause leaks. After attaching hose, turn on water and check for leaks.



- Remove the hose clip at the back of the dishwasher as shown. The hose clip may be used later to hold the drain hose inside your cabinet.

Electrical Connection

WARNING

Avoid Electrical Shock Hazard!

Do not work on an energized circuit. Doing so could result in serious injury or death. Only qualified electricians should perform electrical work. Do not attempt any work on the dishwasher electric supply circuit until you are certain the circuit is de-energized.

To avoid possible injury or property damage, care should be exercised when the dishwasher is installed or removed to reduce the likelihood of damage to the power cord.

Avoid Fire Hazard!

Make sure electrical work is properly installed and checked by qualified electricians.

Make sure there are no loose electrical connections. Make sure all electrical connections are properly made.

Electrical Supply

The customer has the responsibility of ensuring that the dishwasher electrical installation is in compliance with all national and local electrical codes and ordinances. The dishwasher is designed for an electrical supply of 120V, 60 Hz, AC, connected to a dishwasher-dedicated, properly grounded electrical circuit with a fuse or breaker rated for 15 amps. Electrical supply conductors shall be a minimum #14 AWG copper wire rated at 75°C (167°F) or higher.

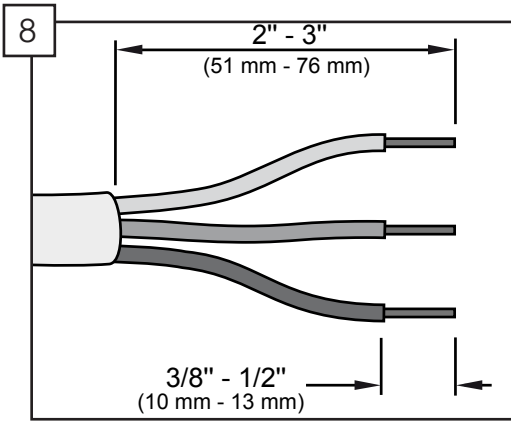
Dishwasher Electrical Rating

Volts	Hertz	Amperes	Watts
120	60	12	1,440 (max)

Grounding Instructions

The dishwasher must be properly grounded before operating. This appliance must be connected to a grounded metal permanent wiring system or an equipment grounding conductor must be run with the circuit conductors and connected to the equipment grounding terminal or lead on the dishwasher. Make sure that the dishwasher is connected to a suitable ground in compliance with all local codes or, in the absence of a local code, with the NATIONAL ELECTRICAL CODE in the United States or the CANADIAN ELECTRIC CODE C22.1-latest edition in Canada as well as any provincial/state or municipal or local codes that apply.

Note: Installations employing a Receptacle - The accessory cord kit, Model SMZPC002UC, designed for connection to a receptacle is not provided, but can be ordered through Customer Service by calling 1-800-944-2904. Make sure the household receptacle meets the electrical supply requirements as well as national and local codes. If you choose to permanently connect to hardwiring, follow the next steps.



- Turn off any electricity to installation area.
- Remove screws and cover from junction box (A) and set aside for later use.
- Remove outer casing and insulation of the hardwiring/power cord as shown.

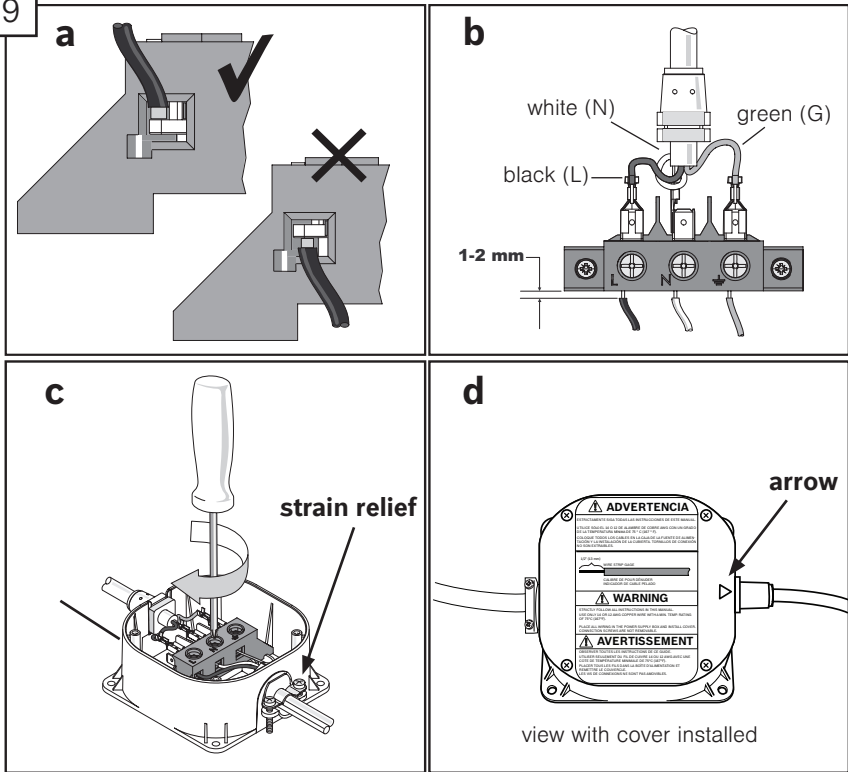


WARNING

Loose and improperly installed electrical connections can result in overheating!

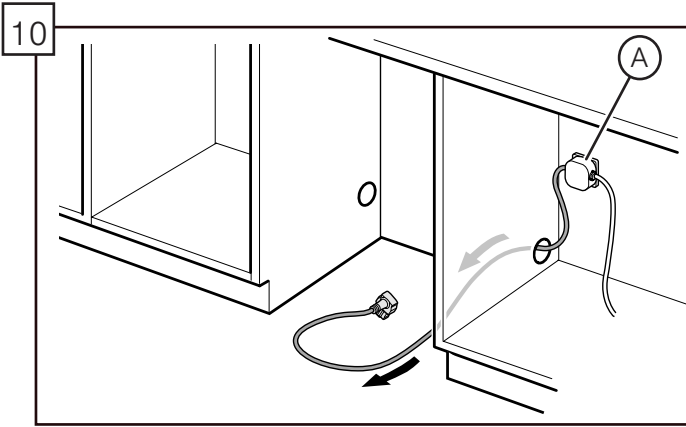
Carefully review terminal block installation instructions.

9



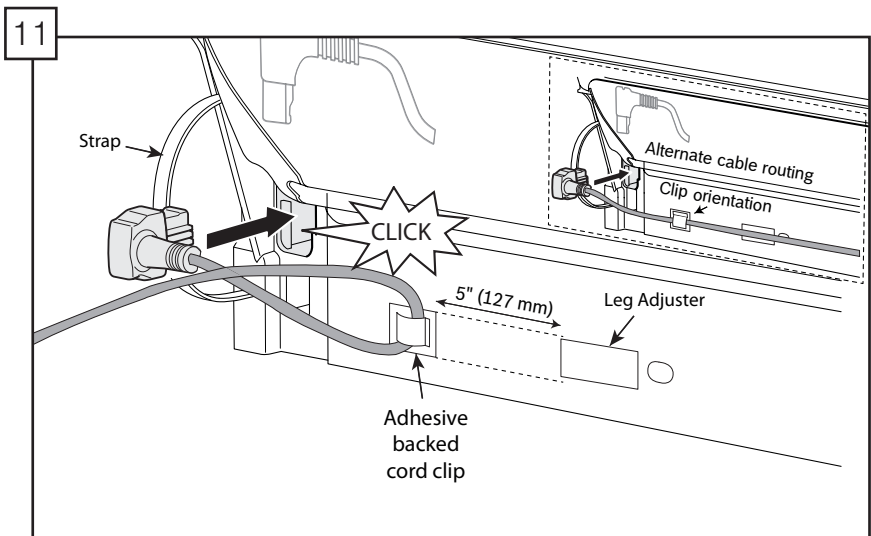
- Attach an approved strain relief (not provided) to opposite side of junction box.
- Without adjusting the terminal screws, insert the wires properly in the terminal. Make sure that the black wire connects with the black (L) and the white connects with the white (N) and the green or bare copper wire with the green (G or \perp). (See box b)
- Do NOT insert wire underneath the screw clamp. (see box a)
- Be certain the wire insulation is not trapped in the terminal. 1-2 mm of wire must be visible (See box b)
- After inserting wire, completely tighten the terminal screws by turning clockwise. (See box c)
- After tightening the terminal screws, pull on each wire to ensure that they are secure. Wire should not be loose in the terminal after correct installation.
- Secure the wire in the junction box with the strain relief.

Note: The arrow (shown in box d above) should align with the power cord.



- Mount the dishwasher electrical supply junction box (A) and dedicated receptacle in an accessible cabinet adjacent to the dishwasher (do not mount the junction box or receptacle behind the dishwasher).

Note: Screws are not provided for mounting electrical supply junction box.



- Check all electrical connections to ensure they are secure and then reattach the junction box cover.
- Place adhesive backed cord clip (provided in the installation kit) 5 inches from leg adjuster as shown in the figure above and route power cord through the clip. *Note: The length of cord measured from the plastic back strap to the receptacle should be ≤ 47.25 " (1,200 mm).*
- Plug the end of the supply cord into the back of the dishwasher as shown until it clicks.

Installation of Mounting Brackets

WARNING

Avoid Tip Over Hazard!

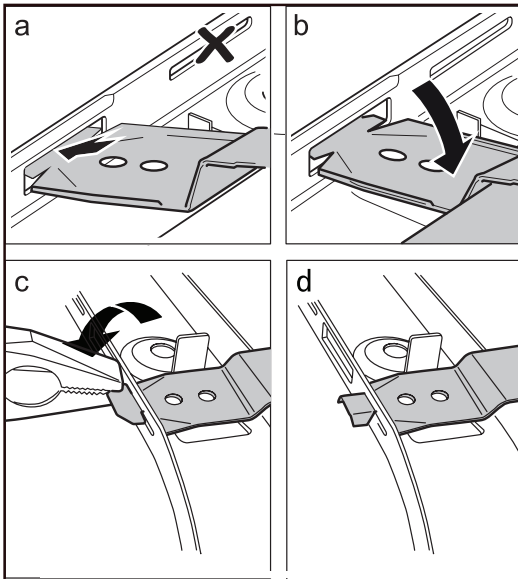
Do not use the dishwasher until it is completely installed. When opening the door on an uninstalled dishwasher, carefully open the door while supporting the rear of the unit. Failure to follow this warning can result in serious injury.

Note: Before installing the supplied counter top mounting brackets, decide which method of securing the dishwasher into its enclosure will be used.

Once the mounting brackets are installed on the dishwasher, removing them is difficult and will damage the mounting brackets and the dishwasher.

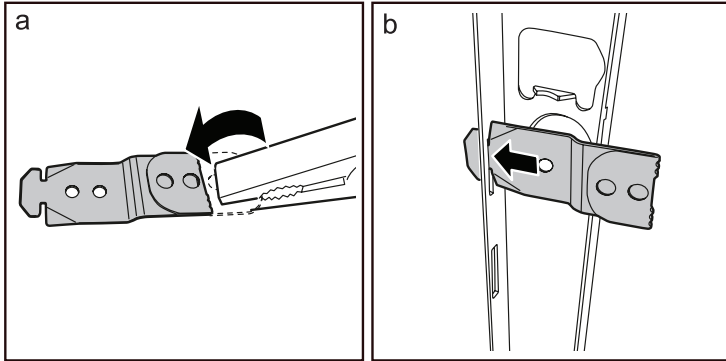
If you have a Fully Integrated Panel, do not attach mounting brackets until after attaching the panel to the door.

12



- Top Mount is used for counter tops made of wood or other materials that can be easily drilled. If you have solid surface, marble, granite, or other very hard countertops, skip to step 13 now.
- If insulation is covering the area in 12a, fold it back.
- Orient the mounting brackets (D) for top mounting as shown in 12b.
- Using pliers, bend side flanges down as shown in 12c and 12d so the bracket will not slip out of slot in frame. Do not attach to cabinet yet.

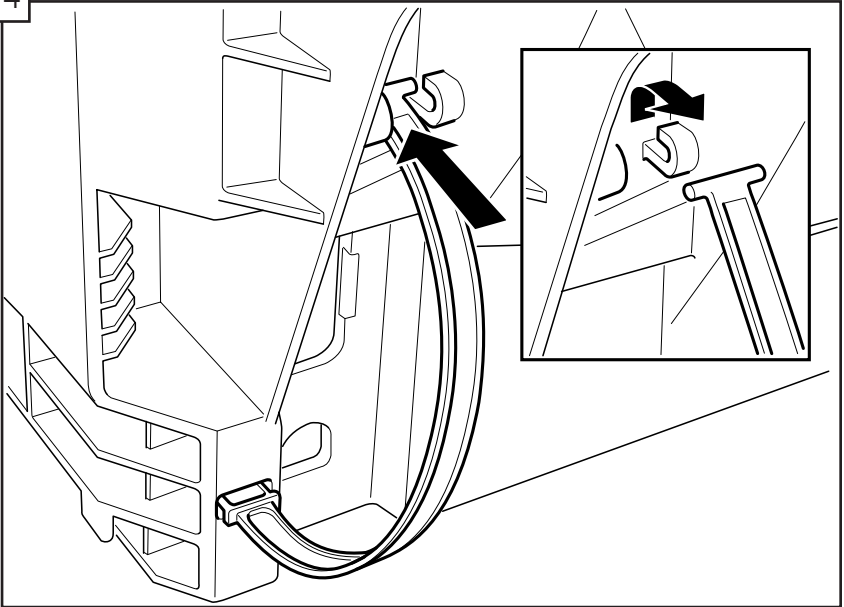
13



- Side Mount is used for counter tops made of marble, granite, or other very hard materials that cannot be easily drilled.
- Grasp mounting bracket (D) with pliers and fold bracket at the perforation over onto itself as shown in 13a.
- Slip bracket flange through side slots in frame as shown in 13b.
- Using pliers, bend side flanges down as shown in 12c and 12d so the bracket will not slip out of slot in frame. Do not attach to cabinet yet.

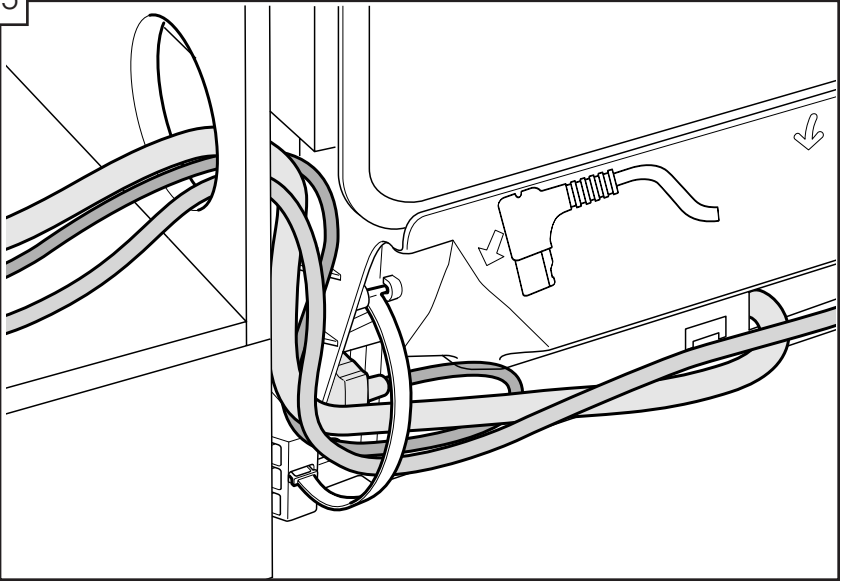
Positioning the Dishwasher

14



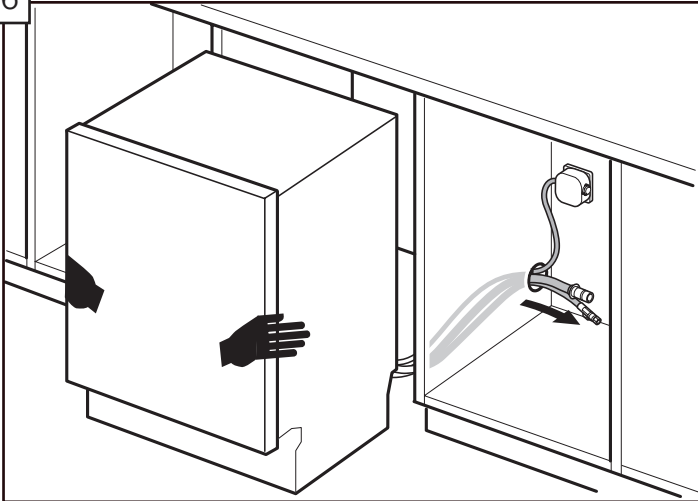
- If your sink is to the right side of where you are installing the dishwasher, you will need to reposition the hoses and power cord behind the dishwasher before installing.
- To do so, unhook the strap that the hoses are running through on the back of the dishwasher base and position them per your requirements.
- If your sink is to the left side, leave the hoses and power cord as they came and skip to step 16.

15



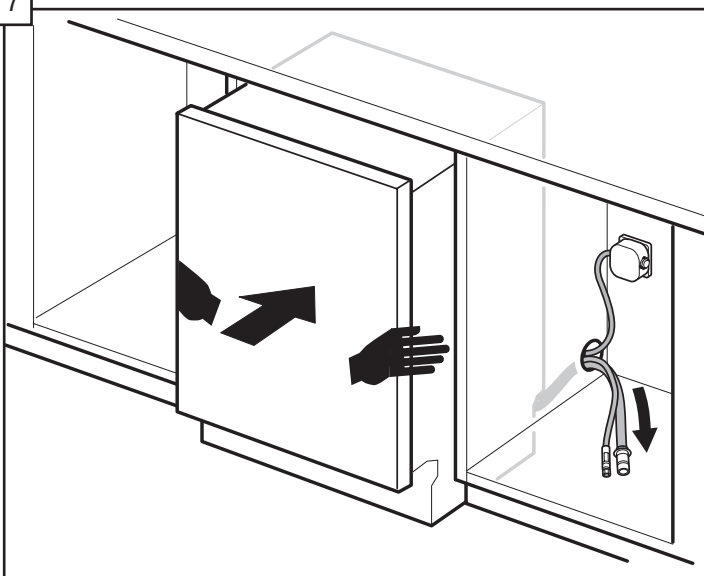
- Reposition the hoses so they run through the strap on the other side.
- Be sure to snap the strap back in place to secure the hoses as shown.

16



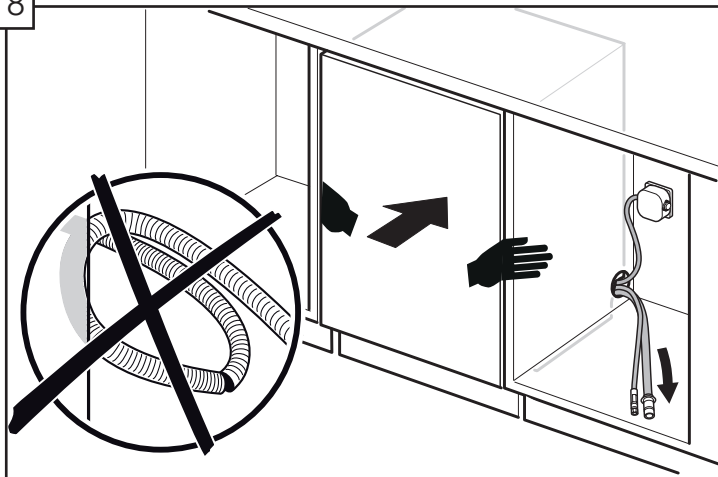
- To avoid scratching the floor, use floor protection and caution when sliding the dishwasher into the cabinet. Use hands on both sides of dishwasher to push evenly.
- Pull water inlet, drain hose and power cord through the hole in cabinet as shown.

17



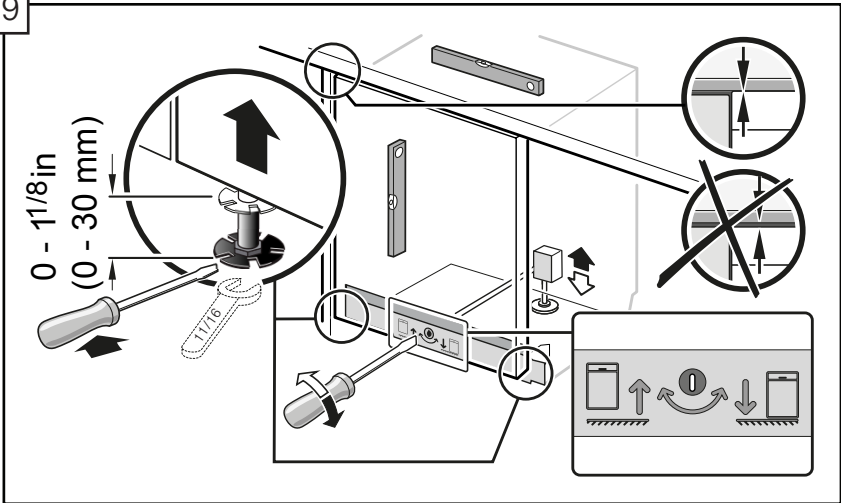
- Push the unit 2/3 of the way into the opening and stop.

18



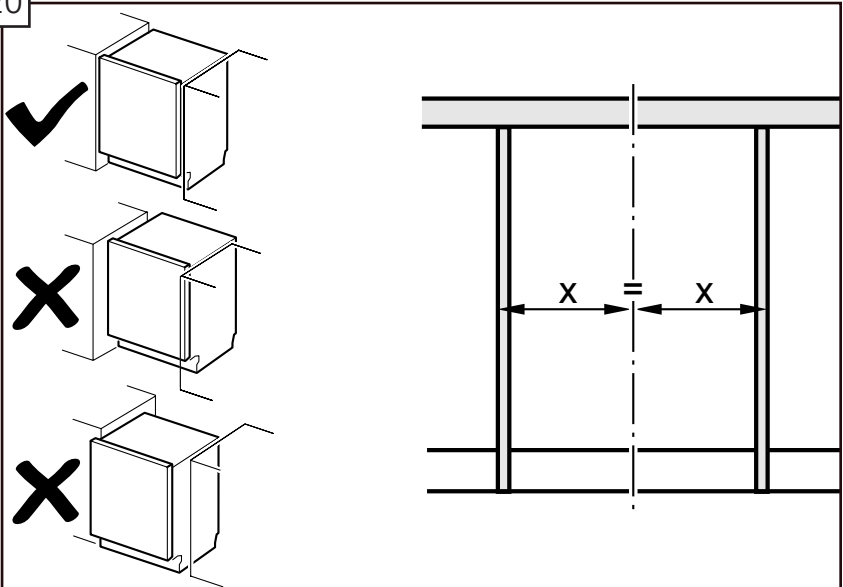
- Reach into adjacent cabinet and pull hoses and excess power cord completely out so they do not get kinked.
- Push the unit in until flush with cabinet door.

19



- Adjust the legs as shown to raise the unit so it is flush with the counter.
- Use a level to check that your dishwasher is level.
- Level side to side by turning feet clockwise to raise or counter-clockwise to lower front of the unit as shown.
- Level front to back by turning center screw clockwise to raise or counter-clockwise to lower the back.

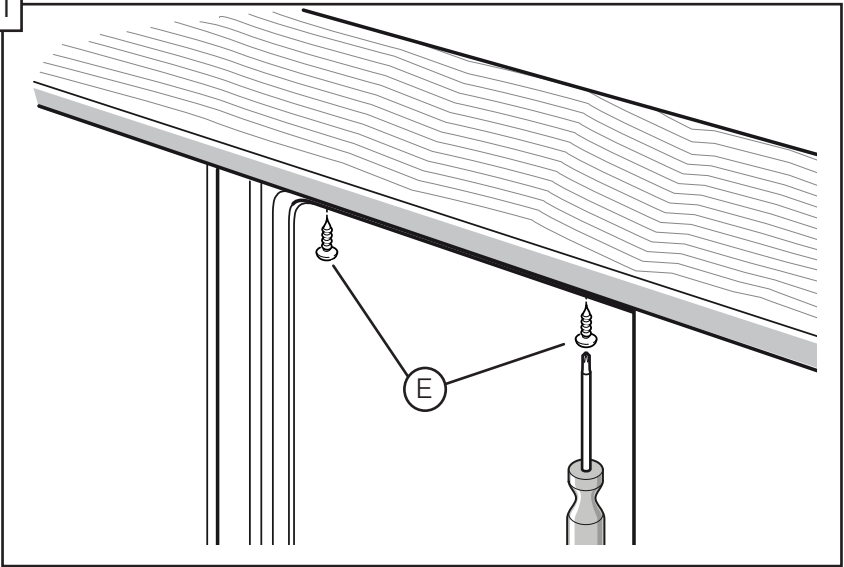
20



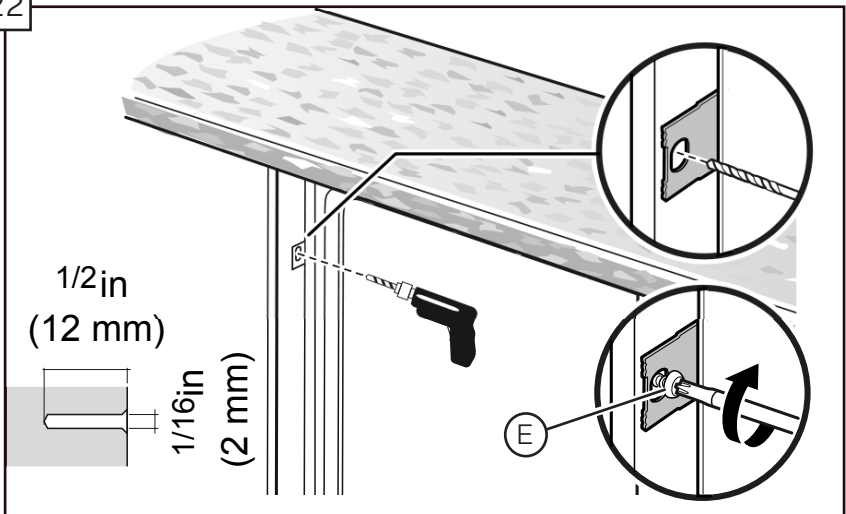
- Center the dishwasher in the opening before securing it to your cabinet or counter top as shown.

Securing the Dishwasher

21



22



- Drive the mounting screws (E) through the holes in the mounting brackets as shown for Top (figure 21) or Side Mount (figure 22).

Water Inlet Connection

WARNING

Scalding Hazard!

Do not perform any work on a pressured hot water line. Serious injury could result. Only qualified plumbers should perform plumbing work. Do not attempt any work on the dishwasher hot water supply plumbing until you are certain the hot water supply is shut off.

NOTICE

Temperatures required for soldering and sweating will damage the dishwasher. If plumbing lines are to be soldered or sweated, keep the heat source at least 6 inches (152.4 mm) away from the dishwasher.

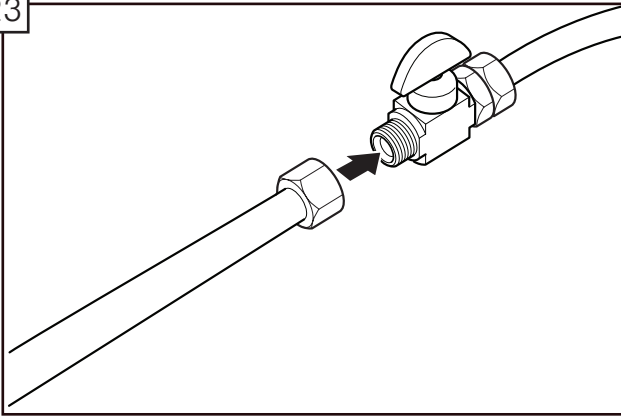
Hot Water Supply

The hot water heater should be set to deliver approximately 120° F (49° C) water to the dishwasher. Water that is too hot can cause some detergents to lose effectiveness. Lower water temperatures will increase run times. The hot water supply pressure must be between 15 - 145 psi (1 - 10 bar).

IMPORTANT NOTES:

- If using a solder joint instead of a compression fitting, be sure to complete all solder connections before connecting the water supply line to the dishwasher.
- Make sure there are no sharp bends or kinks in the water line that might restrict water flow.
- Always use appropriate seals when making plumbing connections.
- Before connecting the water supply line to the dishwasher, flush the incoming water line for approximately 5 minutes to clear any foreign material.
- Properly tighten all water connections. Not doing so could result in a leak.
- Check local plumbing codes for approved plumbing procedures and accessories. All plumbing should be done in accordance with national and local codes.
- If using copper tubing or other material not depicted in this manual for water supply, defer to a licensed plumber for proper installation.

23

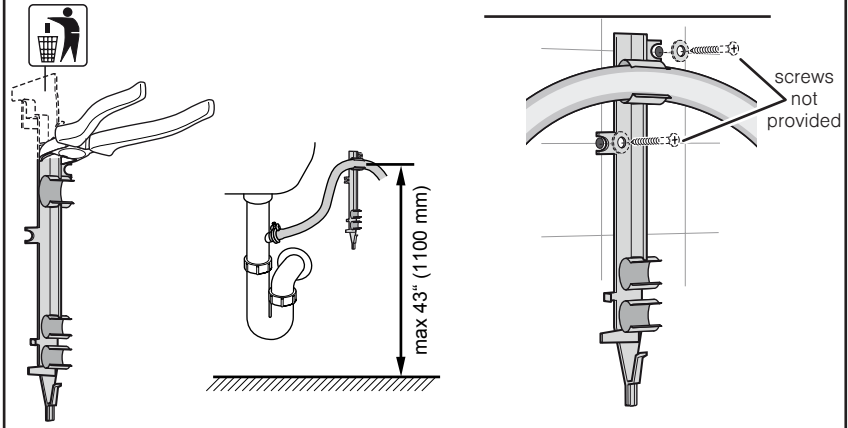


- Connect the dishwasher water supply line to the water shut off valve. If one isn't already in the supply line, install one (not provided).
- You will need to use an approved dishwasher water supply line with the correct fittings for this connection.
- After all connections are made, turn on the hot water and check for leaks.

Drain Connection

IMPORTANT NOTES about your drain connection:

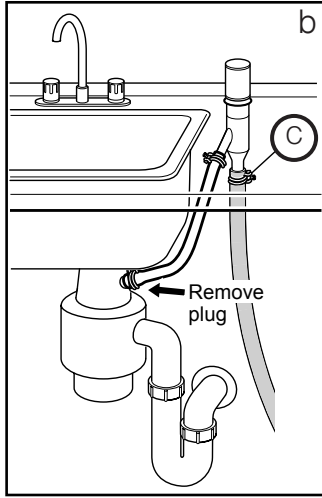
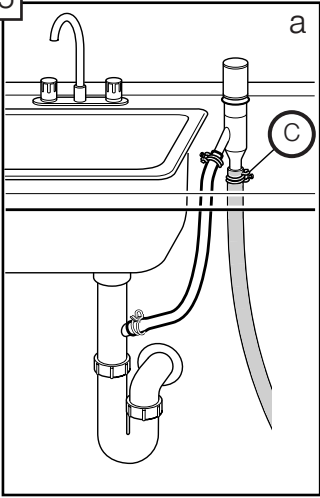
- If local ordinance require an air gap, install it according to the manufacturer's instructions.
- If the dishwasher drain hose is to be connected to a disposer dishwasher drain connection, remove the plug from the disposer's dishwasher drain connection.
- The dishwasher drain hose must have one place along its length that is securely attached 33" (508 mm) above the cabinet floor.
- The drain hose length can be extended if necessary. The maximum length of the drain hose, including the hose leading to the air gap, is 150" (380 cm).



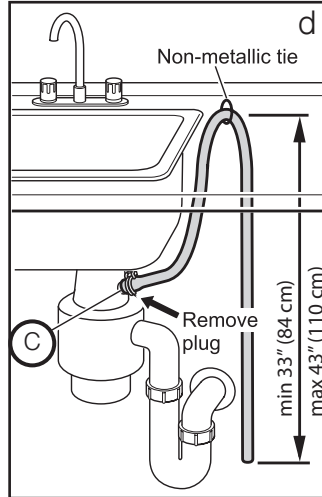
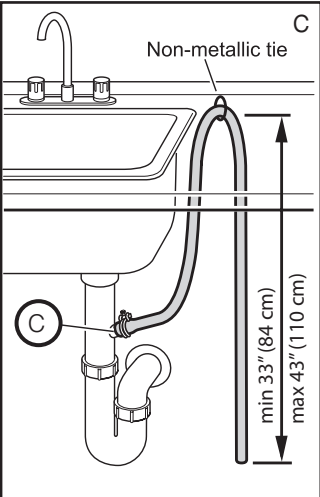
- You may use the piece you removed in Step 7 to attach to the inside of the adjacent cabinet and hang the drain hose from as shown (screws are not supplied) in place of using a Nonmetallic Tie as pictured in the next illustrations. Do not exceed 43" in drain hose height.
- The dishwasher drain hose must be installed with a portion of it at least 33" (84 cm) off the cabinet floor; otherwise the dishwasher may not drain properly.

NOTE: Place hose clamp (C) around end of drain hose **BEFORE** connecting to the plumbing.

25

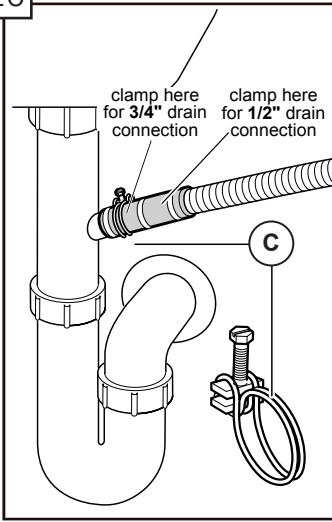


- The dishwasher drain hose may be connected to the drain plumbing using an air gap in one of two ways:
 - Connect to the under sink dishwasher drain connection (25a).
 - Connect to a disposer dishwasher drain connection (25b).



- The dishwasher drain hose may be connected to the drain plumbing using a high loop in one of two ways:
 - Connect to the under sink dishwasher drain connection (25c).
 - Connect to a disposer dishwasher drain connection (25d).

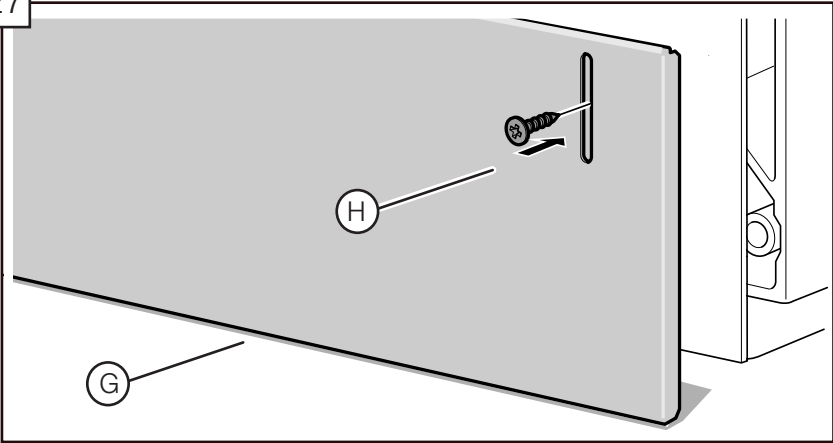
26



- Use the clamp provided (C) to attach the drain hose to the house plumbing as shown.

Attaching the Toe Panel

27

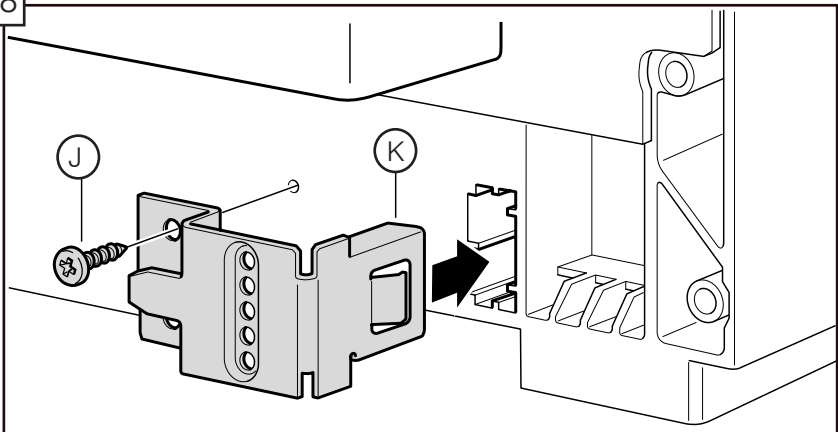


If your dishwasher came with a slotted toe panel (G) only, follow these instructions; otherwise skip to 28 now.

Note: If using the slotted toe panel shown in 27 above, then metal mounting brackets shown in 28 are not required.

- Position the slotted toe panel (G) on the dishwasher. Allow it to rest on the floor.
- Attach using screws (H) as shown. Use only the supplied screws to avoid damaging the dishwasher. The toe panel should be flush with the floor. Your installation is complete!

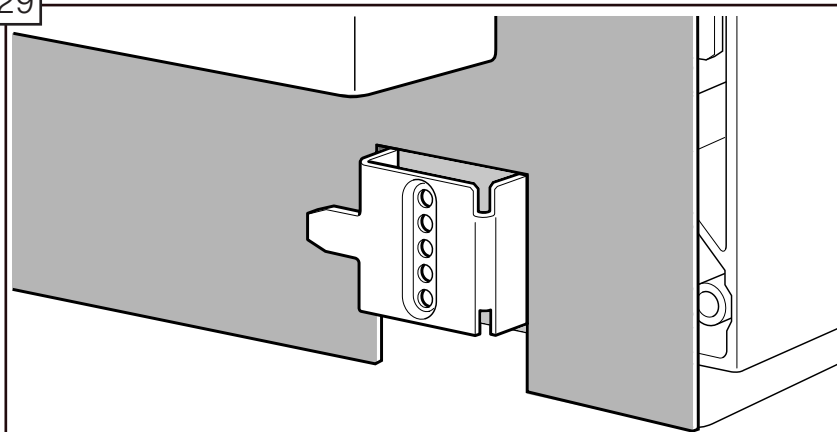
28



If your dishwasher came with a non-slotted toe panel (I) and toe panel brackets (K) follow these instructions; otherwise skip to 31 now.

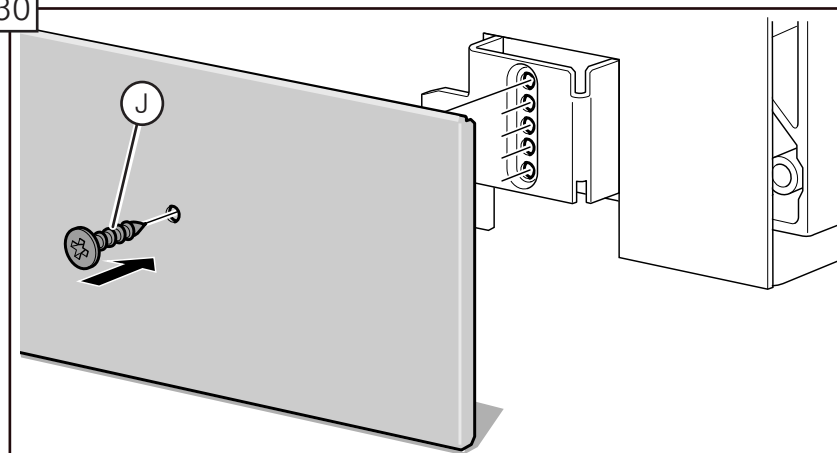
- Plug metal brackets (K) into openings on both sides of the base as shown.
- Use screw (J) to mount metal brackets to the base as shown.

29



- Tuck the pre-attached rubber apron behind the fingers on the metal brackets as shown.

30



- Slide metal toe panel into position ensuring the bottom of the toe panel is flush with the floor. Use screw (J) to mount the toe panel through the hole it matches up with on the metal brackets (K) as shown.

Note: The toe panel height can be adjusted by screwing into a different hole in the bracket.

- Check for correct fit of apron by opening the door. Ensure the apron does not bind up and can freely move up and down behind the toe panel. Your installation is complete!

Definiciones de seguridad

ADVERTENCIA

Esto indica que pueden producirse heridas graves o incluso la muerte si no se cumple con esta advertencia.

PRECAUCIÓN

Esto indica que pueden producirse heridas leves o moderadas si no se cumple con esta advertencia.

AVISO

Esto indica que pueden producirse daños en el aparato o en los bienes si no se cumple con este aviso.

Nota: Esto alerta sobre información y/o sugerencias importantes.

Tabla de contenido

Instrucciones de seguridad	2
Cómo evitar peligros generales	3
Herramientas y materiales	4
Requisitos del recinto	7
Connections eléctricas	10
Instalación de los soportes de montaje	15
Colocación del lavavajillas	17
Asegurar el lavavajillas	21
Conexiones de agua de entrada	22
Conexiones del drenaje	23
Conexiones de agua de entrada	27
Servicio al cliente	30



Instrucciones de seguridad importantes:

Por favor lea y guarde esta información

Para evitar posibles lesiones o daños materiales, RESPETE TODAS LAS ADVERTENCIAS Y PRECAUCIONES.

Estas instrucciones están diseñadas para ser usadas únicamente por instaladores calificados. La lavadora de platos debe ser instalada por un técnico de servicio técnico o instalador calificado.

- Además de estas instrucciones, la lavadora de platos debe instalarse de conformidad con todos los códigos y las ordenanzas de electricidad y de plomería (nacionales y locales).

Lea estas instrucciones de instalación completamente y sígalas con cuidado. Le ahorrarán tiempo y esfuerzo, y le ayudarán a asegurarse de que el rendimiento de la lavadora de platos sea óptimo y seguro.

IMPORTANTE

- La manguera de drenaje de la lavadora de platos debe instalarse manteniendo una parte de esta, al menos, a una distancia de 33" (84 cm) del piso del gabinete; de lo contrario, es posible que la lavadora de platos no drene correctamente.
- Esta lavadora de platos ha sido diseñada para uso residencial en interiores únicamente y no debe usarse en establecimientos comerciales de servicios de comidas.
- Este lavavajillas está diseñado para ser cerrado en la parte superior y ambos lados por los gabinetes.
- NUEVA INSTALACIÓN: si la lavadora de platos es una instalación nueva, la mayoría del trabajo debe realizarse antes de que la lavadora de platos sea colocada en su lugar.
- REEMPLAZO: si la lavadora de platos reemplaza a otra lavadora de platos, verifique las conexiones de la lavadora de platos existente para ver la compatibilidad con la nueva lavadora de platos y reemplace las piezas según sea necesario.
- Este electrodoméstico cumple con la norma CAN/CSA-C22.2 n.º 167/UL 749. Es responsabilidad del propietario y del instalador determinar si se aplican otros requisitos y normas en instalaciones específicas.
- Esta unidad no está destinada para uso en exteriores.

Inspeccione la lavadora de platos

Después de desembalar la lavadora de platos y antes de la instalación, inspeccione exhaustivamente la unidad para detectar posibles daños estéticos u ocasionados por el transporte. Reporte de inmediato cualquier daño.

Los defectos estéticos deben reportarse en un período de 30 días después de la instalación.

NOTA: No deseche ninguna bolsa ni artículo suministrado con el paquete original hasta que se haya completado toda la instalación.



ADVERTENCIA

Cómo evitar peligros generales

Para reducir el riesgo de descarga eléctrica, incendio o lesiones personales, el instalador debe asegurarse de que el lavaplatos esté completamente cerrado en el momento de la instalación.

Use la lavadora de platos únicamente cuando esté completamente instalada. Al abrir la puerta de una lavadora de platos que no está instalada, abra la puerta con cuidado mientras sostiene la parte posterior de la unidad. No seguir esta advertencia puede provocar que la lavadora de platos se caiga, lo que ocasiona lesiones graves.

Antes de instalar los soportes de montaje en “L” para la encimera suministrados con la unidad (solo en algunos modelos), decida qué método se usará para asegurar la lavadora de platos en su abertura. Una vez que estos soportes de montaje están instalados en la lavadora de platos, es difícil retirarlos, y esto daña los soportes de montaje y la lavadora de platos.

En algunas condiciones, se puede formar gas hidrógeno en un sistema de agua caliente que no se ha utilizado durante semanas. El gas hidrógeno es explosivo.

Antes de llenar una lavadora de platos con un sistema que ha estado apagado durante semanas, deje correr agua de un grifo cercano en un área bien ventilada hasta que no haya sonido ni evidencia de gas.

Retirar cualquier cubierta o jalar la lavadora de platos del gabinete puede hacer que queden expuestas las conexiones de agua caliente, la alimentación eléctrica, y puntas o bordes filosos. Manipule la unidad con cuidado.

Inspeccione la lavadora de platos

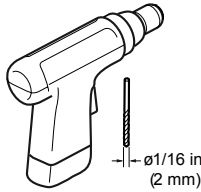
Después de desembalar la lavadora de platos y antes de la instalación, inspeccione exhaustivamente la unidad para detectar posibles daños estéticos u ocasionados por el transporte. Reporte de inmediato cualquier daño. Los defectos estéticos deben reportarse en un período de 30 días después de la instalación.

NOTA: No deseche ninguna bolsa ni artículo suministrado con el paquete original hasta que se haya completado toda la instalación.

Herramientas y materiales necesarios



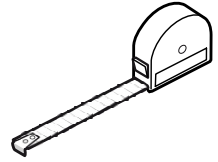
Llave ajustable



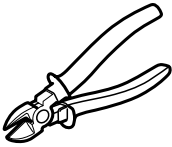
Taladro



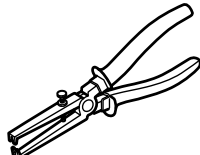
Sierra de agujero



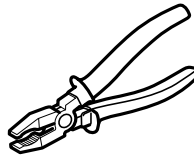
Cinta métrica



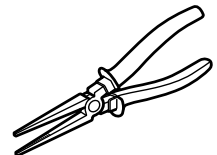
Cortador de cables



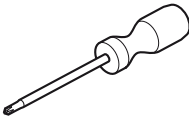
Separador de alambre



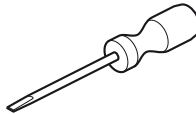
Alicates



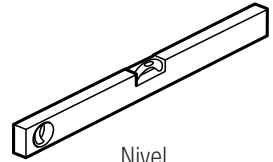
Alicates



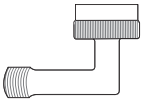
Destornillador Phillips



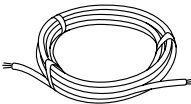
Destornillador de ranura



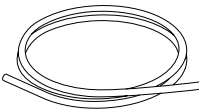
Nivel



Acoplador acodado con rosca exterior femenina de 3/4" en una extremidad y en otra extremidad del tamaño adecuado para poder conectarlo a la alimentación de agua (tubo de cobre/accesorios su jetadores de compresión o manguera con alambre trenzado).

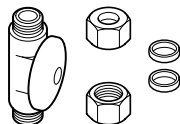


Cable de suministro eléctrico: AWG n.º 14 como mínimo, 2 conductores con 1 conexión a tierra, conductores de cobre aislados, con capacidad nominal para 75 °C o más. Únicamente se necesita si la línea eléctrica de la vivienda no es adecuada.

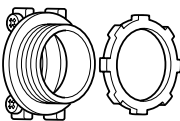


Línea de suministro de agua caliente: tubos de cobre con diámetro externo de 3/8 pulg., como mínimo, o línea de suministro de la lavadora de platos de metal trenzado.

Únicamente necesaria si la línea de suministro de agua de la vivienda no es suficiente.



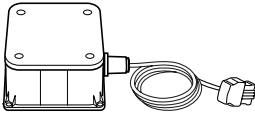
Válvula de cierre y conectores adecuados para la línea de suministro de agua caliente (tubos de cobre/conector de compresión o manguera trenzada).



Se requiere un conector de conductos o un protector para cable incluidos en el listado de UL si conecta el cableado de campo directamente al bloque de terminales.

Materiales suministrados

A



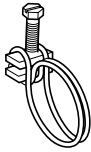
Caja de empalme

B



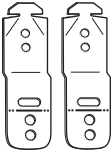
Arandela protectora de borde flexible
para cable eléctrico

C



Abrazadera de tornillo (para mangueras)

D



Soportes de montaje

E



Tornillos para los soportes de montaje
Ø 4x13mm

F



Adhesivo respaldado clip de la cuerda

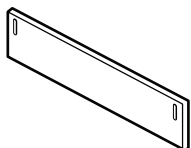
Materiales suministrados

(depende del modelo; Su lavavajillas se suministra con uno de los kits de panel de dedo que se muestra a continuación)



Guía de instalación para panel de puerta completamente integrado (depende del modelo)

G



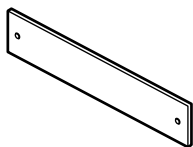
Panel de pie con ranuras

H



Tornillos del panel de pie con ranuras
Ø 4 x 16 mm

I



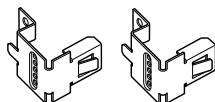
Panel de pie sin ranuras

J



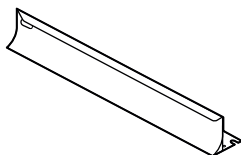
Tornillos del panel de pie sin ranuras: de color negro o plata, según el color del panel de pie

K



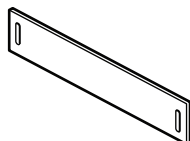
Soportes de montaje del panel de pie
(usarse con el panel de punta sin ranura
mostrado arriba)

L



Panel de pie de plástico

M



Panel de pie con ranuras (usarse con
panel de pie de plástico se muestra
arriba)

Requisitos del recinto

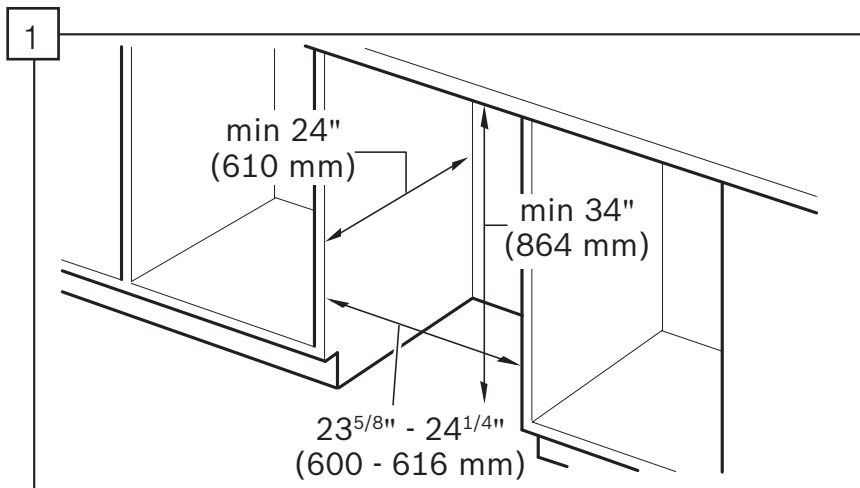
ADVERTENCIA

¡Evite el peligro de escaldadura o de descarga eléctrica!

Asegúrese de que el suministro de agua y el suministro eléctrico estén cerrados antes de realizar la instalación o el servicio técnico.

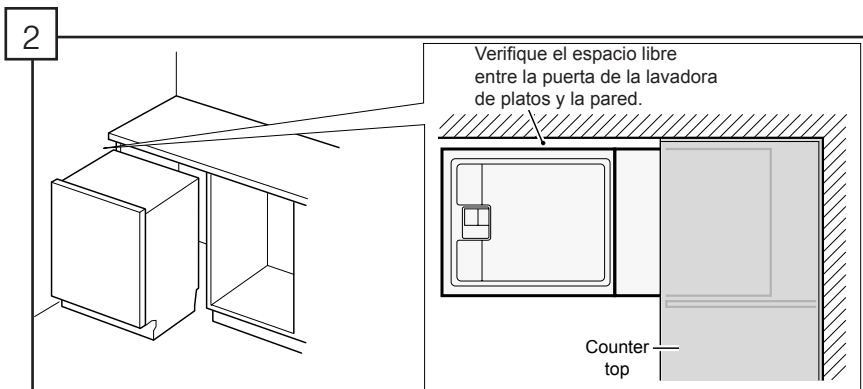
¡Evite Descarga Eléctrica / Peligro de incendio!

No permita que las líneas eléctricas y de suministro para tocar.

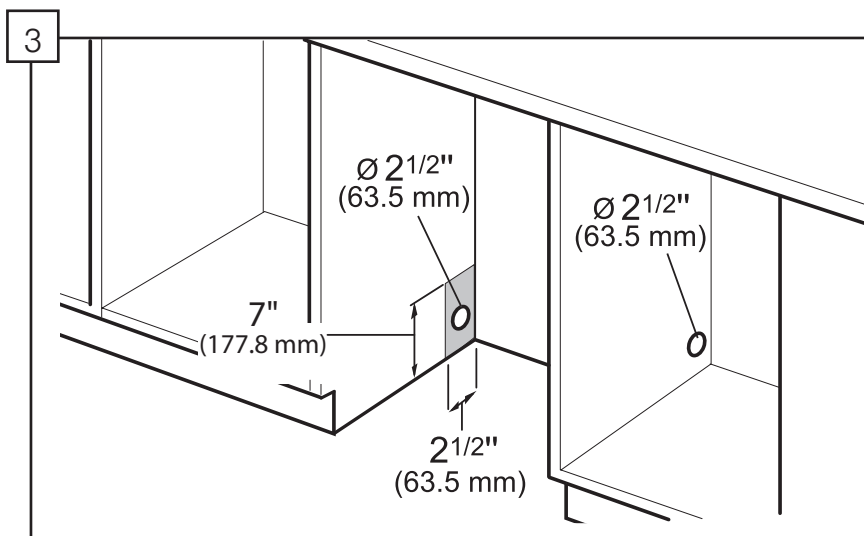


Nota: Esta lavadora de platos ha sido diseñada para estar cercada, por la parte superior, la parte trasera y ambos lados, por el conjunto de gabinetes de una cocina residencial estándar.

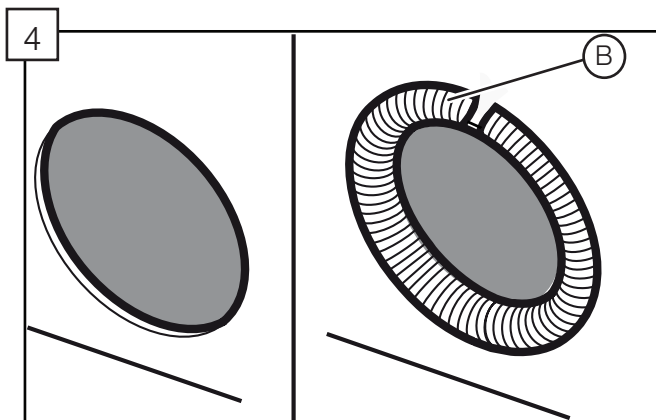
- Seleccione una ubicación que esté lo más cerca posible del fregadero para tener un fácil acceso a las líneas de suministro de agua y de drenaje.
- Para lograr el funcionamiento y el aspecto apropiados de la lavadora de platos, asegúrese de que el cerramiento sea cuadrado y de que tenga las dimensiones que se muestran.



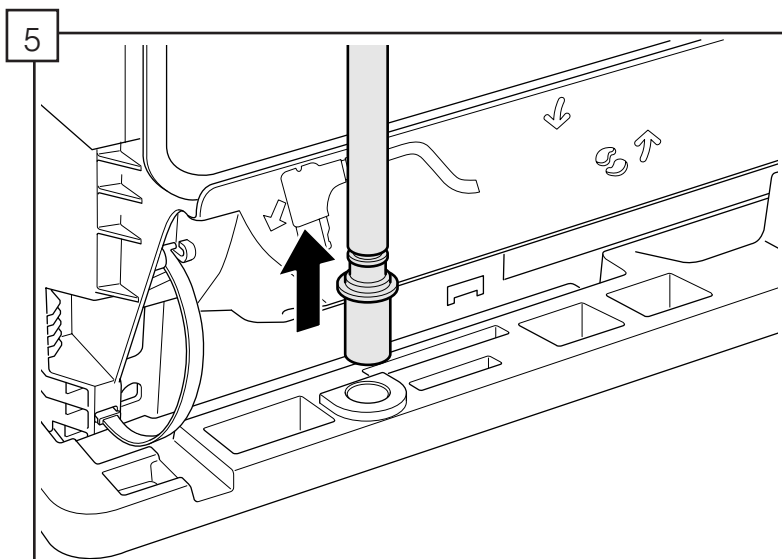
- Si lavadora de platos se instalará en una esquina, asegúrese de que haya un espacio libre adecuado para abrir la puerta, como se muestra.



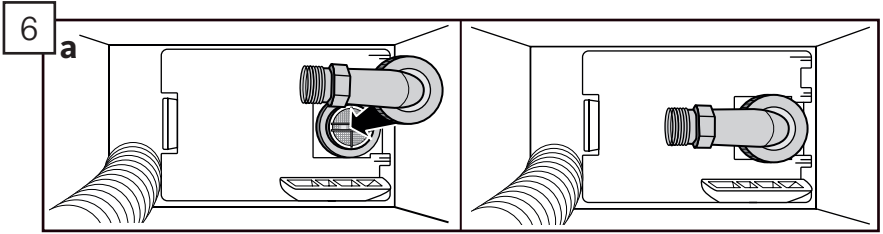
- Una vez que elija el lugar apropiado para su lavadora de platos, haga las aberturas necesarias en sus gabinetes para permitir el paso de las líneas de agua, drenaje y eléctricas del lado apropiado.
- Los orificios deben cortarse dentro del área de 7 x 2.5 pulg. que se muestra.



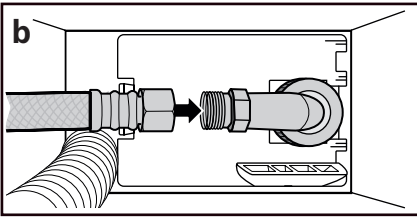
- Si la abertura se realiza atravesando madera, lijela hasta que quede lisa. Si la abertura se realiza atravesando metal, utilice el protector de bordes (B) que se proporciona u otro método aprobado para proteger el cableado contra daños.



- Jale de la manguera de drenaje para sacarla de la base de embalaje, como se muestra.
- Aparte el panel de pie para su uso posterior.



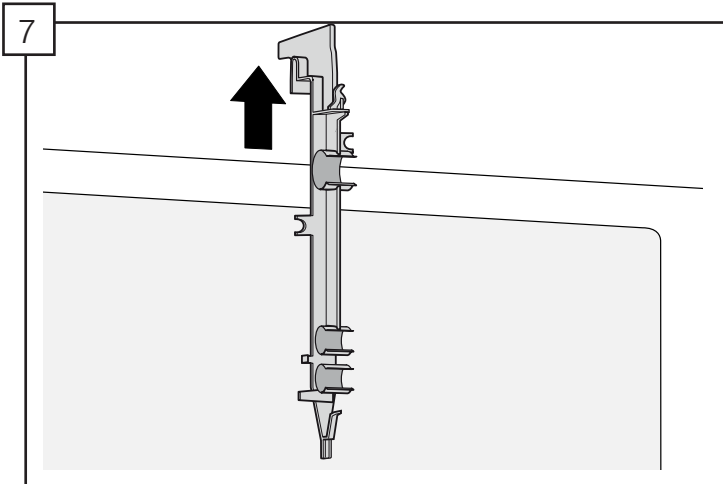
- Conecte la articulación del codo al lavavajillas como se muestra. No lo apriete demasiado.



- Conecte la línea de agua caliente al codo.

NOTICE

Evite el cruce de roscas! Esto causará fugas. Después de conectar la manguera, encienda el agua y verifique que no haya fugas.



- Retire el sujetador de la manguera que se encuentra en la parte trasera de la lavadora de platos, como se muestra. El sujetador de la manguera puede usarse más adelante para sostener la manguera de drenaje dentro de su gabinete.

Connections électriques



ADVERTENCIA

¡Evite el peligro de escaldadura o de descarga eléctrica!

No trabaje en un circuito energizado. Hacerlo podría ocasionar lesiones graves o la muerte. Únicamente los electricistas calificados pueden realizar trabajos de electricidad. No intente realizar ningún trabajo en el circuito de suministro eléctrico de la lavadora de platos hasta que esté seguro de que el circuito se encuentre desenergizado.

Para evitar posibles lesiones o daños a la propiedad, se debe tener cuidado al instalar o quitar el lavavajillas para reducir la probabilidad de dañar el cable de alimentación.

¡Evite el peligro de incendio!

Asegúrese de que el trabajo eléctrico esté correctamente instalado y verificado por electricistas calificados.

Asegúrese de que no haya conexiones eléctricas sueltas. Asegúrese de que todas las conexiones eléctricas se hayan realizado correctamente.

Suministro eléctrico

El cliente tiene la responsabilidad de asegurarse de que la instalación eléctrica de la lavadora de platos cumpla con todos los códigos y las ordenanzas de electricidad nacionales y locales. La lavadora de platos está diseñada para un suministro eléctrico de CA de 120 V, 60 Hz, conectado a un circuito eléctrico con una conexión a tierra adecuada, exclusivo para la lavadora de platos, con un fusible o disyuntor con capacidad nominal para 15 A. Los conductores del suministro eléctrico deben ser de alambre de cobre, con AWG n.º 14 como mínimo, con capacidad nominal para uso en temperaturas de 75 °C (167 °F) o más altas.

Capacidad nominal eléctrica de la lavadora de platos

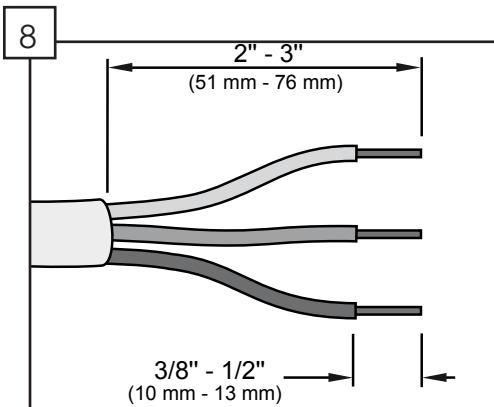
Volts	Hertz	Amperes	Watts
120	60	12	1,440 (max)

Instrucciones para la conexión a tierra

La lavadora de platos debe tener una conexión a tierra adecuada antes de operarla. Este electrodoméstico debe conectarse a un sistema de cableado permanente, con conexión a tierra, o se debe instalar un conductor de conexión a tierra para equipos junto con los conductores de circuitos y conectarlo al terminal de conexión a tierra para equipos o al hilo de conexión a tierra de la lavadora de platos. Asegúrese de que la lavadora de platos tenga una conexión a tierra adecuada, de conformidad con todos los códigos locales o, en el caso de que no haya un código local, con el CÓDIGO NACIONAL ELÉCTRICO (National Electrical Code) en los Estados Unidos o la última versión del CÓDIGO ELÉCTRICO CANADIENSE (Canadian Electrical Code) C22.1 en Canadá, así como con todos los códigos provinciales/estatales o municipales o locales.

Nota: Instalaciones que utilizan un receptáculo

No se proporciona el kit auxiliar de cables, SMZPC002UC, diseñado para la conexión a un receptáculo, pero puede pedirse a través de Servicio al cliente, llamando al 1-800-944-2904. Asegúrese de que el receptáculo doméstico cumpla con los requisitos de suministro eléctrico, así como con los códigos nacionales y locales. Si usted opta por conectar la lavadora de platos en forma permanente a la conexión alámbrica, siga los siguientes pasos.

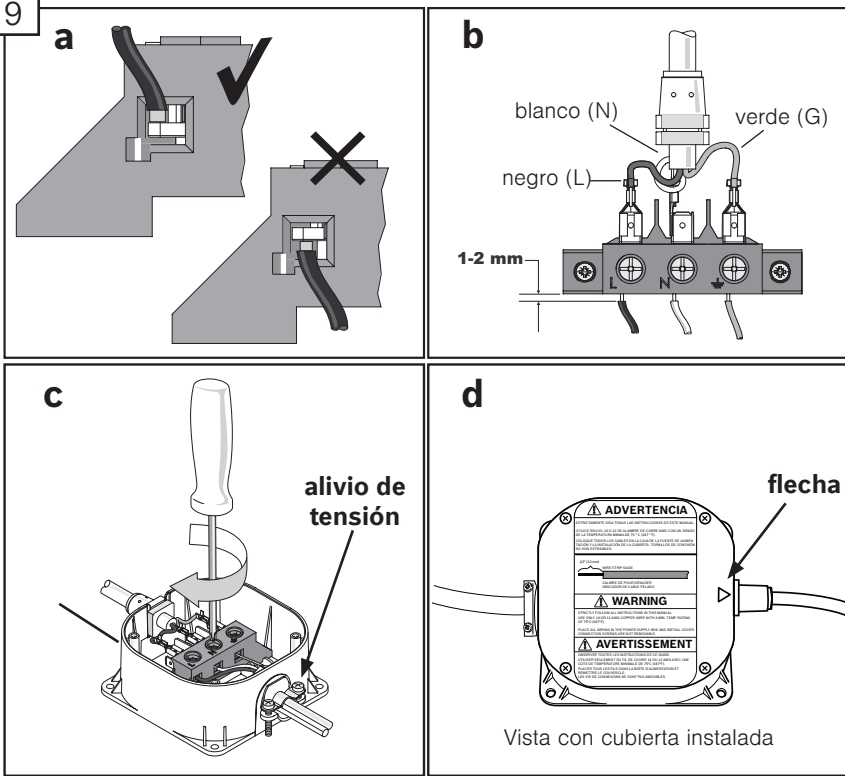


- Corte toda la electricidad al área de instalación.
- Retire los tornillos y la cubierta de la caja de empalme (A) y apártelos para utilizarlos después.
- Retire el revestimiento externo y el aislamiento de la conexión alámbrica/ del cable de alimentación, como se muestra.

ADVERTISSEMENT

Las conexiones eléctricas sueltas y mal instaladas pueden dar lugar a un sobrecalentamiento. Revise cuidadosamente las instrucciones de instalación del bloque de terminales.

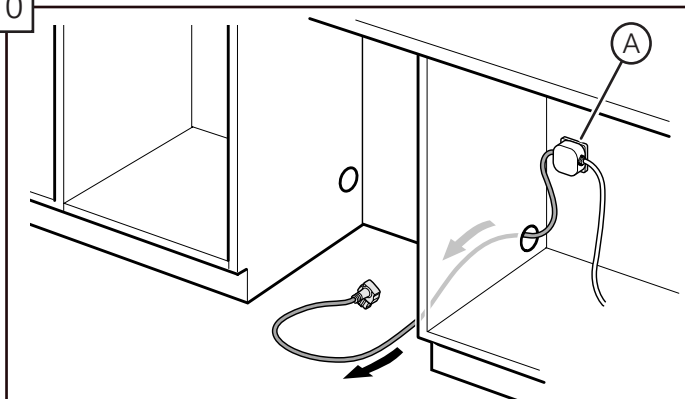
9



- Coloque un alivio de tensión aprobado (no suministrado) al lado opuesto de la caja de conexiones
- Sin ajustar los tornillos de los terminales, inserte los cables adecuadamente en el terminal. Asegúrese de que el cable negro se conecta con el negro (L) y el blanco se conecta con el blanco (N) y el verde o alambre de cobre desnudo con el verde (G o ⏚). (Ver cuadro b)
- NO inserte el cable por debajo de la abrazadera de tornillo. (Ver cuadro a)
- Asegúrese de que el aislamiento del cable no esté atrapado en el terminal. 1-2 mm de cable deben ser visibles (ver cuadro b)
- Después de insertar el alambre, apriete completamente los tornillos de los terminales girándolos en el sentido de las agujas del reloj. (Véase el recuadro c)
- Después de apretar los tornillos de los terminales, tire de cada cable para asegurarse de que estén bien apretados. El cable no debe estar suelto en el terminal después de la instalación correcta.
- Asegure el cable en la caja de conexiones con el alivio de tensión.

Nota: La flecha (que se muestra en la figura d anterior) debe alinearse con el cable de alimentación.

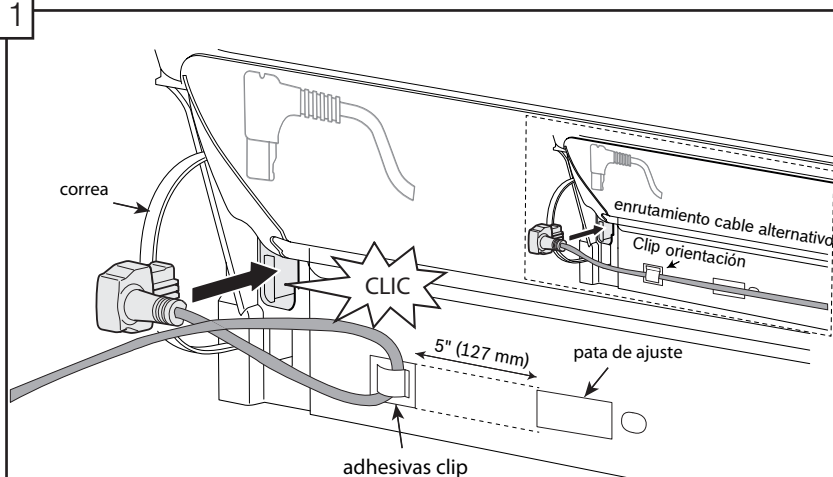
10



- Monte la caja de empalme del suministro eléctrico (A) de la lavadora de platos y el receptáculo exclusivo en un gabinete accesible adyacente a la lavadora de platos (no monte la caja de empalme ni el receptáculo detrás de la lavadora de platos).

Nota: No se proporcionan los tornillos para el montaje de la caja de empalme del suministro eléctrico.

11



- Compruebe que todas las conexiones eléctricas están en su lugar y vuelva a colocar la tapa de la caja de conexiones en su lugar.
 - Coloque el soporte del cordón adhesivo (incluida en el kit de instalación) 5" (127 mm) de ajuste de las patas como se muestra en la figura de arriba y el de alimentación a través de la ruta de clip.
- Nota: La longitud del cable de medida desde la parte trasera de plástico correa para el recipiente debe ser $\leq 47,25"$ (1200 mm).*
- Cable de alimentación a través de la Ruta de la correa y enchufe el extremo del cable de suministro en la parte trasera de la lavadora de platos hasta que haga clic, como se muestra.

Instalación de los soportes de montaje

ADVERTENCIA

¡Evite el peligro de caída!

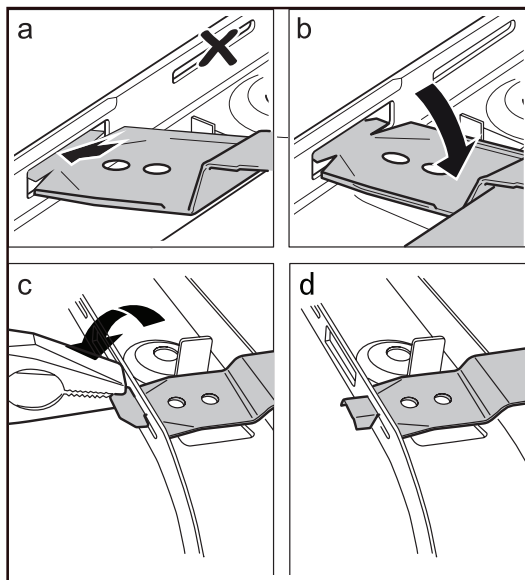
Use la lavadora de platos únicamente cuando esté completamente instalada. Al abrir la puerta de una lavadora de platos que no está instalada, abra la puerta con cuidado mientras sostiene la parte posterior de la unidad. No seguir esta advertencia puede ocasionar lesiones graves.

Nota: Antes de instalar los soportes de montaje para la encimera suministrados, decida qué método utilizará para asegurar la lavadora de platos al cerramiento.

Una vez que los soportes de montaje están instalados en la lavadora de platos, es difícil retirarlos, y esto daña los soportes de montaje y la lavadora de platos.

Si usted tiene un panel completamente integrado, no acople los soportes de montaje hasta tanto no haya acoplado el panel a la puerta.

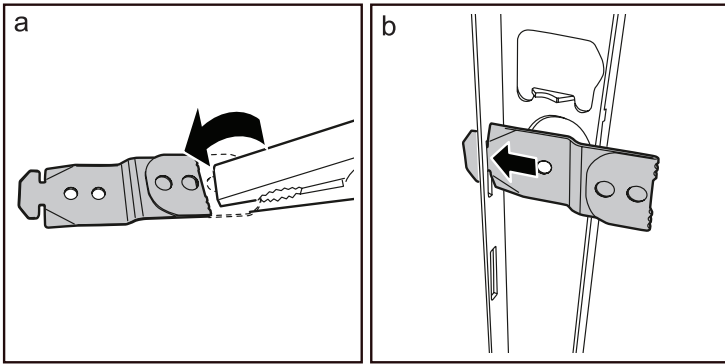
12



- El montaje superior se usa para encimeras hechas de madera u otros materiales que puedan ser perforados fácilmente. Si tiene superficie sólida, mármol, granito, encimeras y otras muy duras, vaya al paso 13 ahora.

- Si el aislamiento cubre el área en la ilustración 12a, pliéguelo hacia atrás.
- Oriente los soportes de montaje (D) como se muestra. Observe la posición del soporte en la ilustración 12b.
- Utilizando pinzas, doble hacia abajo como se muestra en la ilustración 12c, de modo que el soporte no se deslice fuera de la ranura en la estructura. Todavía no conecte al gabinete.

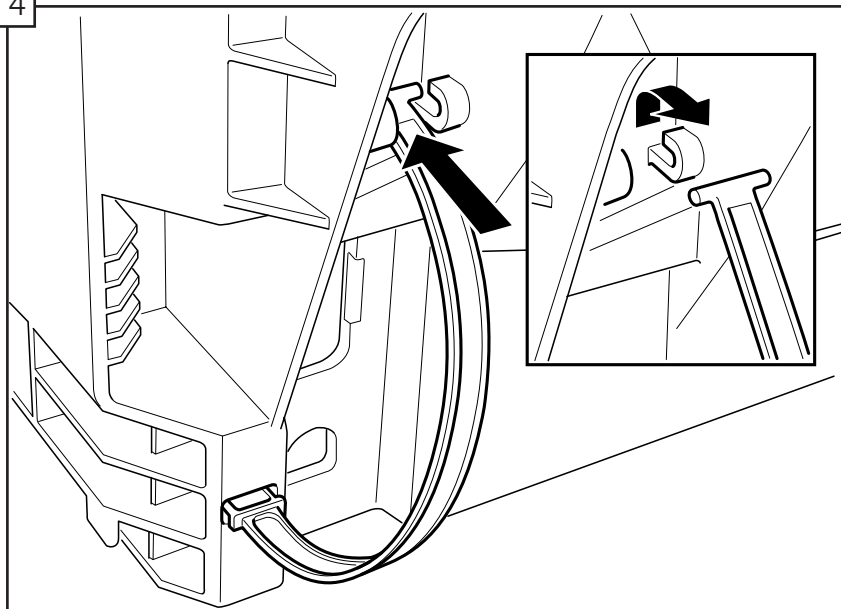
13



- El montaje lateral se utiliza para encimeras hechas de mármol, granito u otros materiales muy duros que no pueden ser perforados fácilmente.
- Utilizando pinzas, doble el soporte en la perforación sobre sí mismo como se muestra en la figura 13a.
- Deslice la brida del soporte a través de las ranuras de los costados en la estructura, como se muestra en 13b.
- Utilizando pinzas, doblar las bridas laterales hacia abajo como se muestra en 12c y 12d para que el soporte no salga de la ranura en el marco. Todavía no conecte al gabinete.

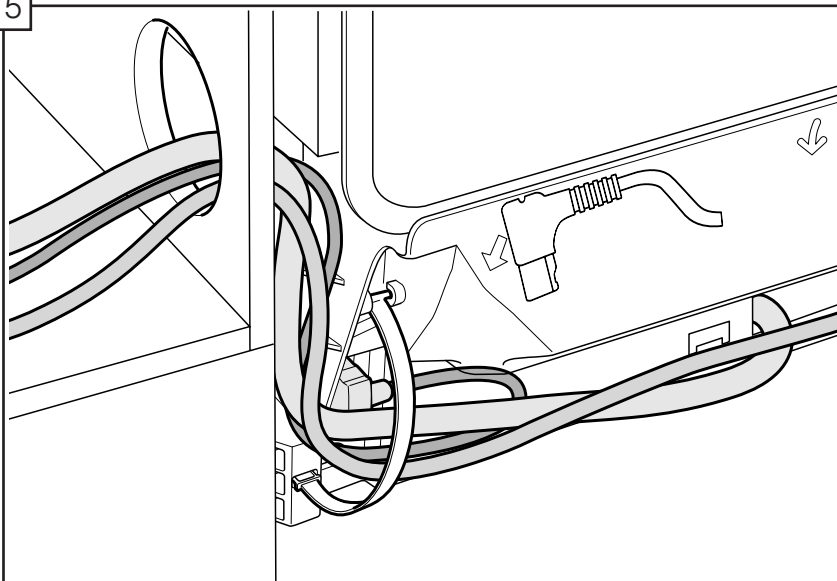
Colocación del lavavajillas

14



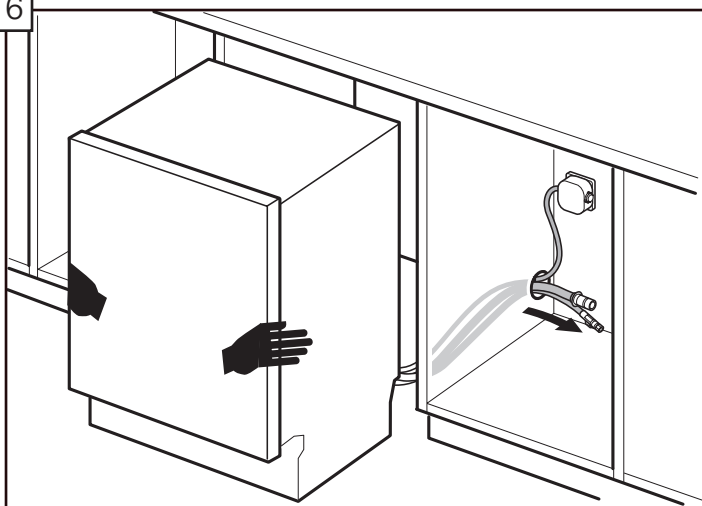
- Si su fregadero se encuentra del lado derecho de donde usted está instalando la lavadora de platos, tendrá que volver a colocar las mangueras y el cable de alimentación detrás de la lavadora de platos antes de instalarla.
- Para hacerlo, descuelgue la correa por la que pasan las mangueras en la parte trasera de la base de la lavadora de platos y colóquelas según sus requerimientos.
- Si su fregadero se encuentra del lado izquierdo, deje las mangueras y el cable de alimentación como vinieron, vaya al paso 16 ahora.

15



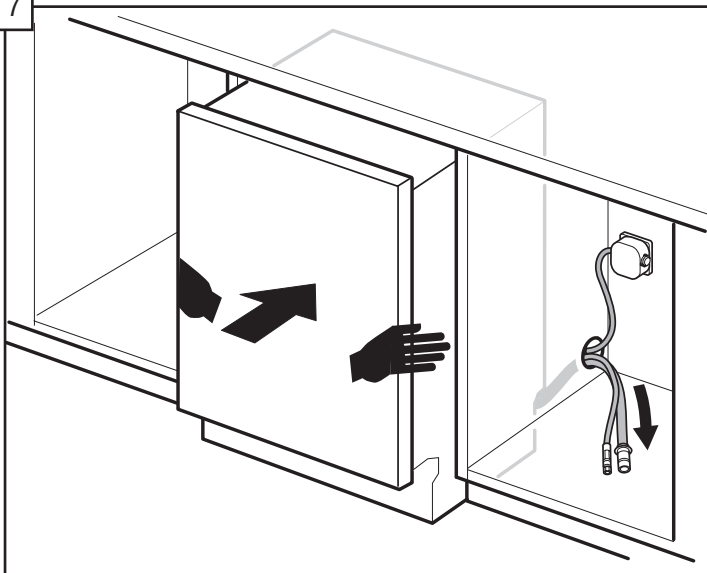
- Vuelva a colocar las mangueras de modo que pasen por la correa del otro lado.
- Asegúrese de calzar la correa de vuelta en su lugar para asegurar las mangueras, como se muestra.

16



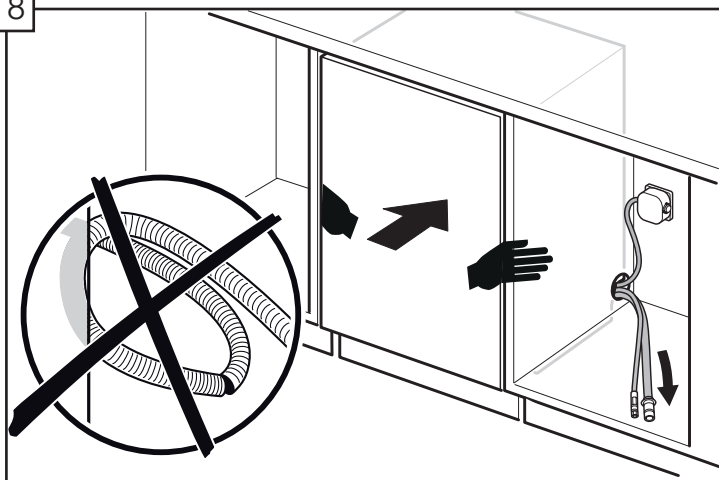
- Para evitar rayar el piso, utilice protección para pisos y tenga cuidado al deslizar la lavadora de platos dentro del gabinete. Use las manos en ambos lados de la lavadora de platos para empujar en forma pareja.
- Jale la entrada de agua, las mangueras de drenaje y el cable de alimentación a través de orificio en el gabinete, como se muestra.

17



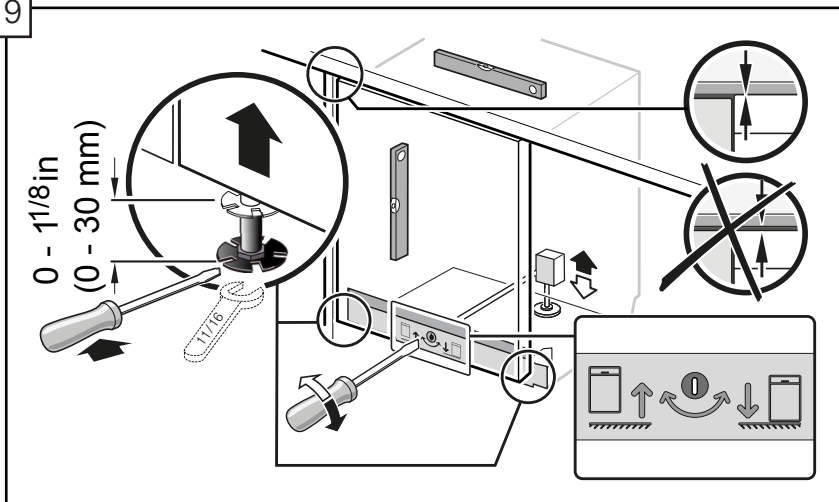
- Empuje la unidad 2/3 hacia adentro de la abertura y deténgase.

18



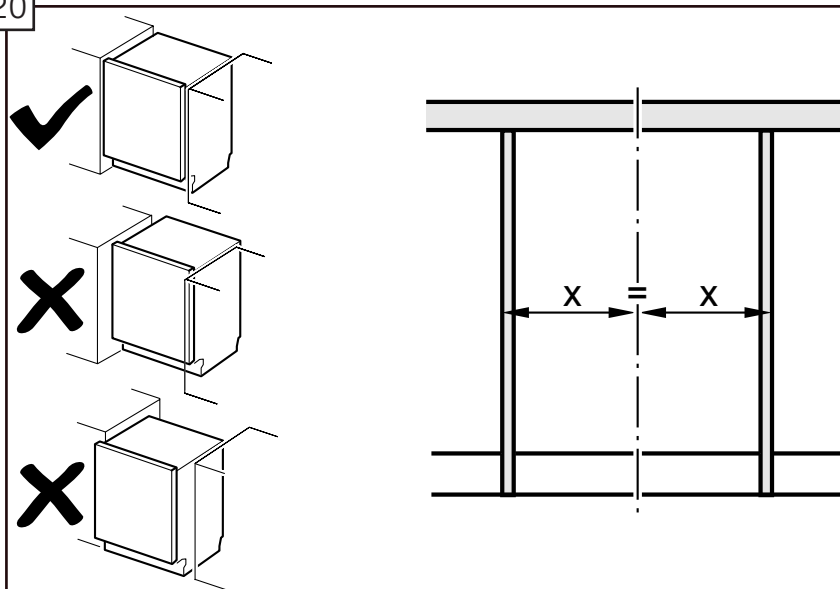
- Extienda la mano hacia el gabinete adyacente y jale las mangueras y el cable de alimentación excedentes completamente hacia afuera, de modo que no se plieguen.
- Empuje la unidad hacia adentro hasta que quede a ras con la puerta del gabinete

19



- Ajuste las patas como se muestra para elevar la unidad de manera que quede a ras con la encimera.
- Utilice un nivel para verificar que su lavadora de platos esté nivelada.
- Nivele de un lado al otro girando las patas hacia la derecha para levantar la parte delantera de la unidad o hacia la izquierda para bajarla, como se muestra.
- Nivele desde la parte adelante hacia la trasera girando el tornillo hacia la derecha para levantar la parte trasera o hacia la izquierda para bajarla.

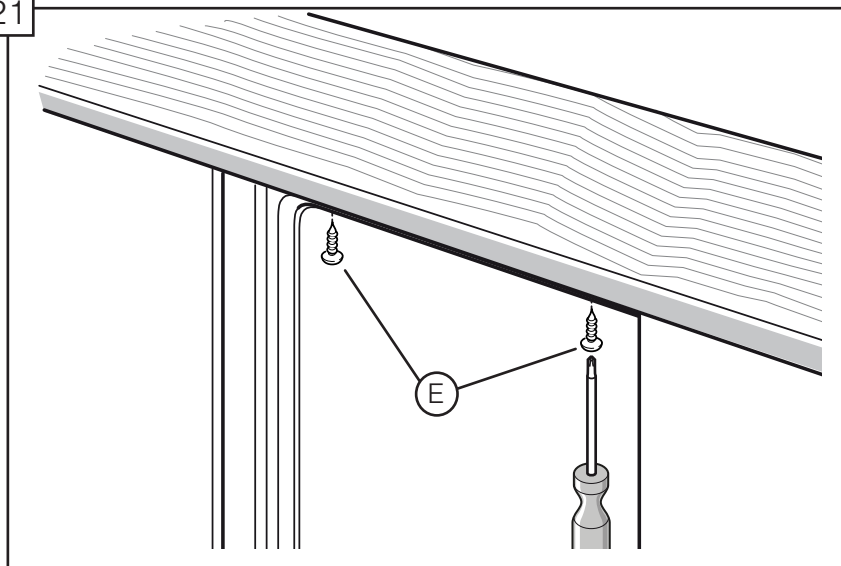
20



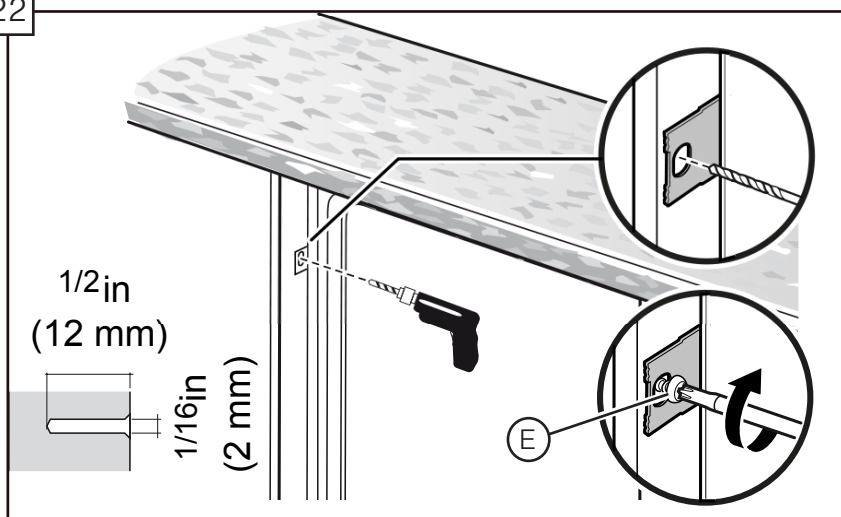
- Centre la lavadora de platos en la abertura antes de asegurarla en su gabinete o encimera, como se muestra.

Asegurar el lavavajillas

21



22



- Coloque los tornillos de montaje (E) a través de los orificios que se encuentran en los soportes de montaje, como se muestra para el montaje superior (21) o lateral (22).

Conexiones de agua de entrada

ADVERTENCIA

¡Evite el peligro de escaldadura!

No realice ningún trabajo en una tubería de agua caliente que tenga carga. Podría ocasionar lesiones graves. Únicamente los plomeros calificados pueden realizar trabajos de plomería. No intente realizar ningún tipo de trabajo en las tuberías de suministro de agua caliente de la lavadora de platos hasta que esté seguro de que el suministro de agua caliente esté cerrado.

AVISO

Las temperaturas requeridas para soldar y fundir dañan la lavadora de platos. Si se van a soldar o fundir las tuberías para plomería, mantenga la fuente de calor, al menos, a 6 pulgadas (152.4 mm) de distancia de la lavadora de platos.

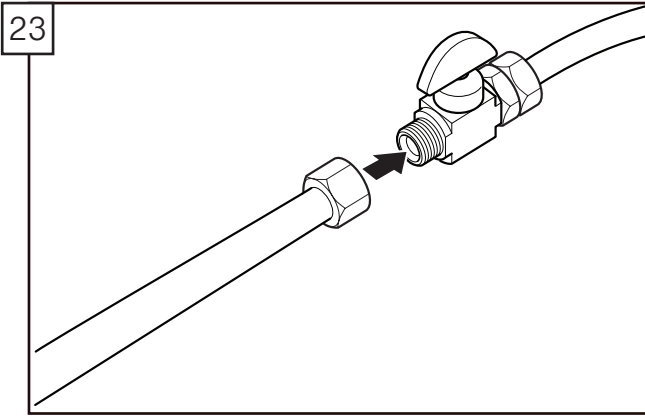
Suministro de agua caliente

El calentador de agua debe configurarse para suministrar a la lavadora de platos agua de aproximadamente 120 °F (49 °C). El agua demasiado caliente puede hacer que algunos detergentes pierdan efectividad. Las temperaturas más bajas de agua aumentarán los tiempos de funcionamiento. La presión del suministro de agua caliente debe ser de entre 15 y 145 psi (1 a 10 bar).

NOTAS:

- Si se usa una junta con soldadura en lugar de un conector de compresión, asegúrese de hacer todas las conexiones con soldadura antes de conectar la línea de suministro de agua a la lavadora de platos.
- Asegúrese de que no haya codos cerrados ni pliegues en la línea de agua, que podrían restringir el flujo del agua.
- Use siempre el sello adecuado al realizar conexiones de plomería.
- Antes de conectar la línea de suministro de agua a la lavadora de platos, deje correr el agua en la línea entrante durante alrededor de 5 minutos para eliminar cualquier material externo.
- Abra el suministro de agua y verifique que no haya pérdidas una vez que estén hechas las conexiones.

- Verifique los códigos de plomería locales para los procedimientos y accesorios de plomería aprobados. Todas las tuberías deben hacerse de acuerdo con los códigos nacionales y locales.
- Si usa tubos de cobre o de otro material para el suministro de agua, haga que un plomero autorizado realice la instalación correspondiente.

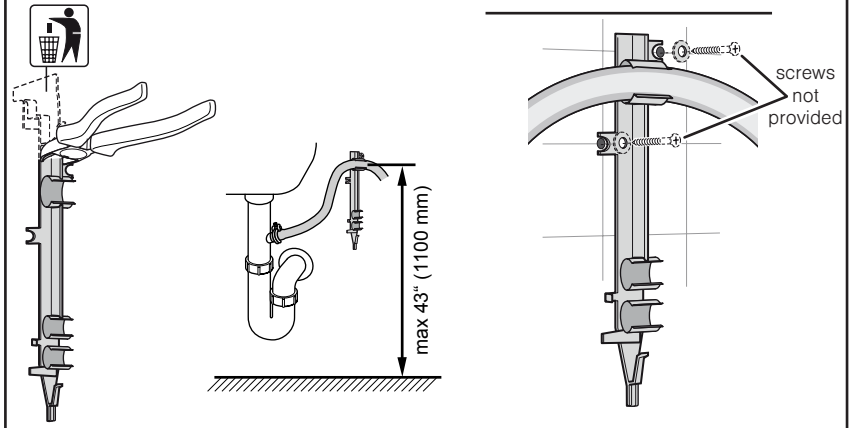


- Conecte la línea de suministro de agua de la lavadora de platos a la válvula de cierre del agua. Si todavía no se encuentra en la línea de suministro, instale uno (no suministrado).
- Necesitará utilizar una línea de suministro de agua de la lavadora de platos aprobada con los conectores correctos para realizar esta conexión. Use siempre el sello adecuado al realizar conexiones de plomería.
- Una vez que estén hechas todas las conexiones, abra el suministro de agua caliente y verifique que no haya pérdidas.

Conexiones del drenaje

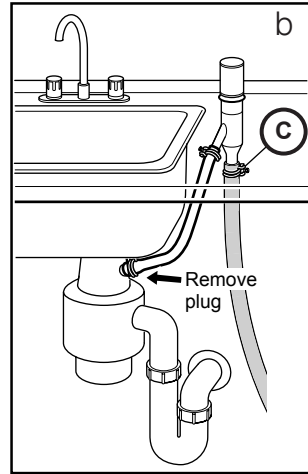
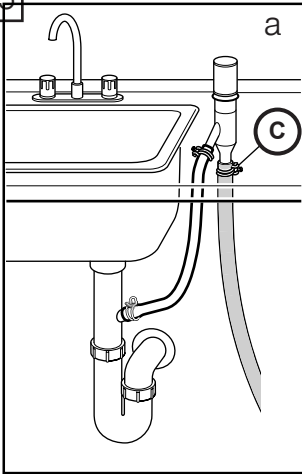
NOTAS:

- Si las ordenanzas locales requieren un espacio de aire, instálelo de acuerdo con las instrucciones del fabricante.
- Si la manguera de drenaje de la lavadora de platos debe conectarse a una conexión de drenaje para lavadora de platos de un triturador de desechos, retire el tapón de la conexión de drenaje para lavadora de platos del triturador de desechos.
- De todo su largo, la manguera de drenaje de la lavadora de platos debe tener una parte que esté firmemente sujeta 33 pulgadas por encima del piso del gabinete.
- La longitud de la manguera de drenaje puede extenderse si es necesario. La longitud máxima de la manguera de drenaje, incluida la manguera que se conecta con el espacio de aire, es de 150 pulgadas.

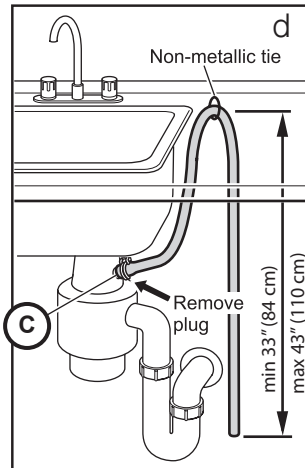
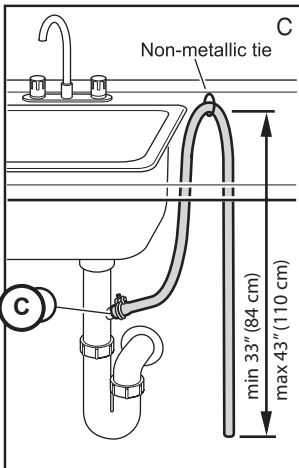


- Puede usar la pieza que retiró en el Paso 7 para acoplarla a la parte interior del gabinete y colgar la manguera de drenaje desde donde se muestra (no se suministran los tornillos) en lugar de usar un zuncho no metálico, como se indica en las siguientes ilustraciones. La altura de la manguera de drenaje no debe exceder las 43 pulg.
- La manguera de drenaje de la lavadora de platos debe instalarse manteniendo una parte de esta, al menos, a una distancia de 33 pulg. (84 cm) del piso del gabinete; de lo contrario, es posible que la lavadora de platos no drene correctamente.

NOTA: Coloque la abrazadera de la manguera alrededor del extremo de la manguera de drenaje ANTES de conectarla a la tubería.

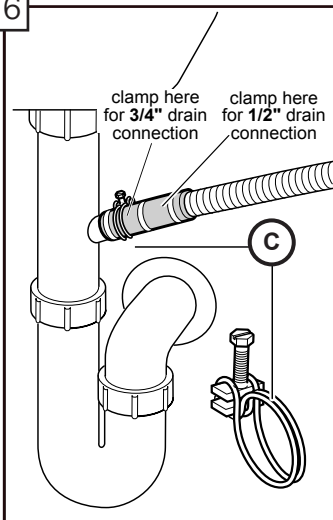


- La manguera de drenaje de la lavadora de platos puede conectarse a la tubería de drenaje utilizando un espacio de aire de dos maneras:
 - Conectando a la conexión de drenaje para lavadora de platos debajo del fregadero (25a).
 - Conectando a la conexión de drenaje para lavadora de platos de un triturador de desechos (25b).



- La manguera de drenaje de la lavadora de platos puede conectarse a la tubería de drenaje utilizando un bucle alto de dos maneras:
 - Conectando a la conexión de drenaje para lavadora de platos debajo del fregadero (25c).
 - Conectando a la conexión de drenaje para lavadora de platos de un triturador de desechos (25d).

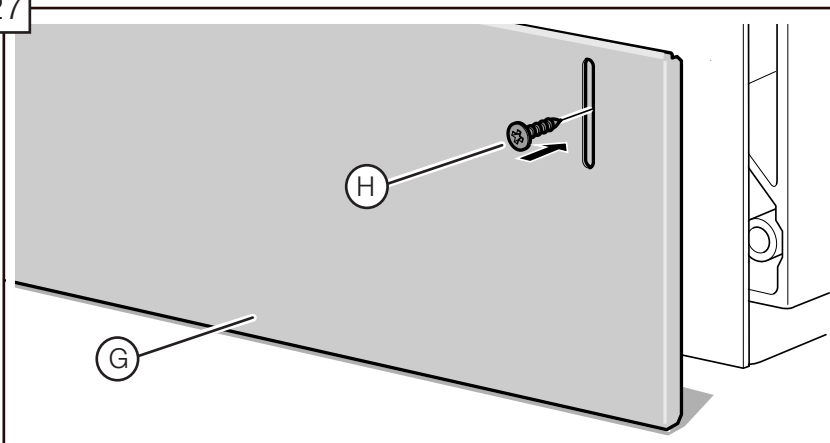
26



Utilice la abrazadera que se proporciona (C) para conectar la manguera de drenaje a la tubería de la vivienda, como se muestra.

Cómo colocar el panel de pie

27

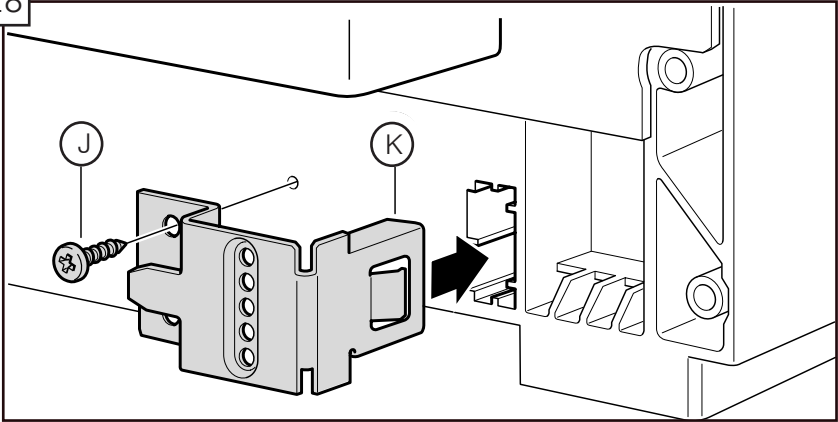


Si su lavadora de platos vino con un panel de pie con ranuras (G) solamente, siga estas instrucciones; de lo contrario, vaya ahora al paso 28.

Nota: Si utiliza el panel de pie ranuras se muestra en 27, no están obligados a continuación entre paréntesis que aparecen en el 28 de montaje de metal.

- Coloque el panel de pie con ranuras (G) en la lavadora de platos. Deje que se apoye sobre el piso.
- Acóplelo con tornillos (H), como se muestra. Use únicamente los tornillos suministrados para evitar dañar la lavadora de platos. El panel de pie debe quedar a ras del piso. ¡Ha finalizado la instalación!

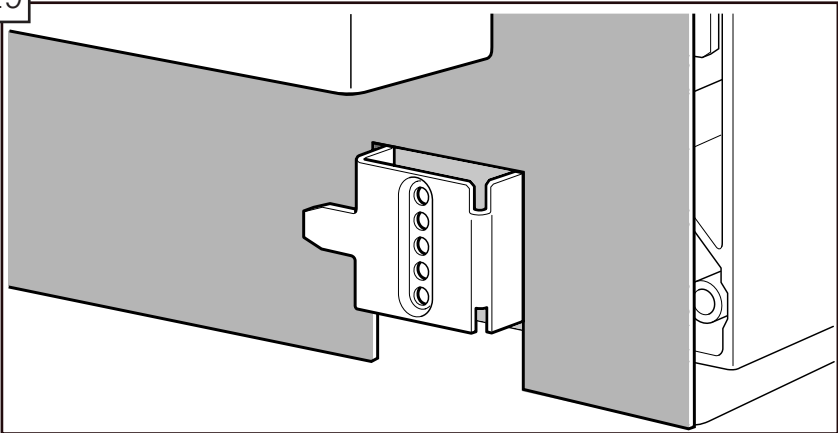
28



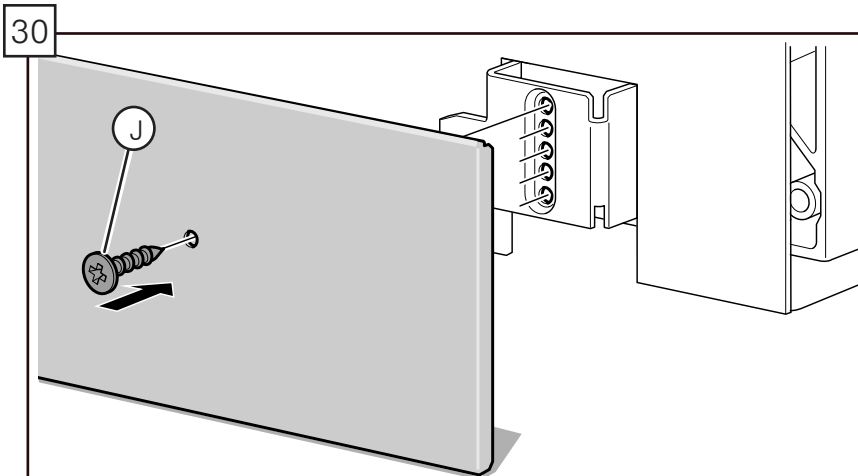
Si su lavadora de platos vino con un panel de pie sin ranuras (I) y soportes del panel de pie (K), siga estas instrucciones:

- Enchufe los soportes de metal (K) en las aberturas a ambos lados de la base, como se muestra.
- Utilice un tornillo (J) para montar los soportes de metal en la base, como se muestra.

29



- Inserte el faldón de hule previamente acoplado detrás de los dedos en los soportes de metal, como se muestra.

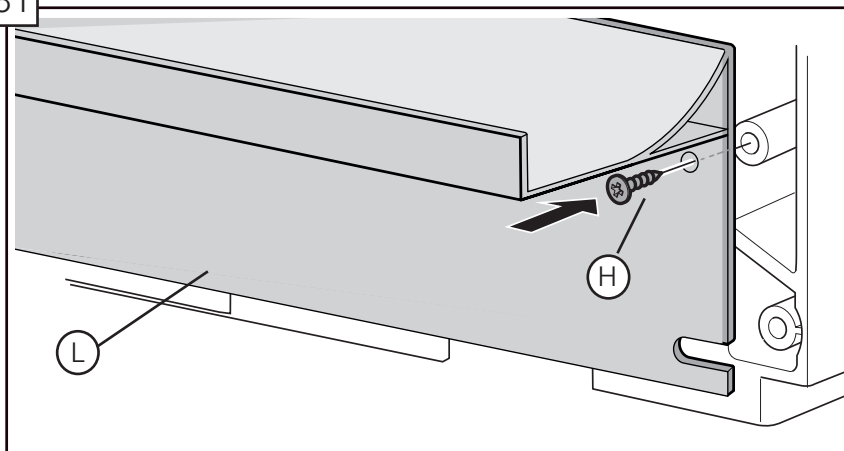


- Deslice el panel de pie de metal a su posición asegurándose de que la parte inferior del panel de pie quede a ras del piso. Utilice un tornillo (J) para montar el panel de pie a través del orificio con el que coincide en los soportes de metal (K), como se muestra.

Nota: La altura del panel de pie puede ajustarse atornillándolo en un orificio diferente en el soporte.

- Verifique que el faldón calce correctamente abriendo la puerta. Asegúrese de que el faldón no se atasque y de que pueda moverse libremente hacia arriba y hacia abajo detrás del panel de pie. ¡Ha finalizado la instalación!

31

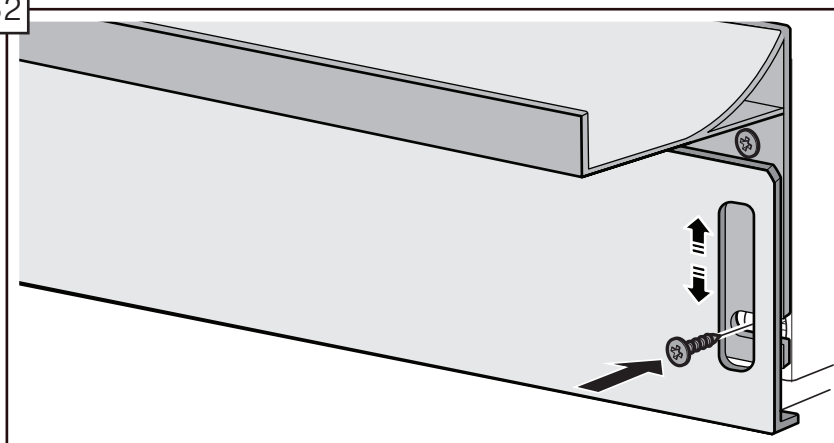


Si el lavavajillas tiene un panel de pie de plástico (L) y panel de pie con ranuras (M), siga estas instrucciones:

Nota: Si se utiliza el panel de pie de plástico por encima de 31, soportes y montaje de metal mostrando en el 28 no es necesario.

- Alinear la placa protectora del zócalo de plástico en la base del lavavajillas de modo que los orificios queden alineados.
- Acóplelo con tornillos, como se muestra. Use únicamente los tornillos suministrados para evitar dañar la lavadora de platos.

32



- Deslizar la placa protectora del zócalo de metal hasta su posición asegurando que la parte inferior de la placa protectora del zócalo está a ras con el suelo. Use únicamente los tornillos suministrados para evitar dañar la lavadora de platos. ¡Ha finalizado la instalación!

Servicio al cliente

Su lavadora de platos no requiere ningún otro cuidado especial además del que se describe en la sección Cuidado y mantenimiento del Manual de uso y cuidado. Si tiene un problema con su lavadora de platos, antes de llamar al servicio técnico consulte la sección Autoayuda en el Manual de uso y cuidado. Si es necesario realizar el servicio técnico, comuníquese con su distribuidor o instalador, o con un centro de servicio técnico autorizado.

No intente reparar el electrodoméstico por sus propios medios. Todo trabajo realizado por personal no autorizado puede invalidar la garantía. Si tiene un problema con su lavadora de platos y no está conforme con el servicio técnico que ha recibido, siga los pasos que aparecen a continuación (en el orden en que se enumeran) hasta que se corrija el problema y usted quede conforme:

1. Comuníquese con su instalador o con el contratista de servicio técnico autorizado de su área.
2. Envíenos una carta a la dirección que figura a continuación:
BSH Home Appliances Corporation
1901 Main Street
Irvine, CA 92614
3. Llámennos al número de teléfono de Servicio al cliente:
1-800-944-2904

Asegúrese de incluir (si nos envía una carta), o tener disponible (si nos llama), la siguiente información:

- Número de modelo (SH_ _ _ _ _ UC)
- Número de serie (FD_ _ _ _ _)
- Fecha de compra original (mm/dd/yyyy)
- Fecha en que se originó el problema (mm/dd/yyyy)
- Explicación del problema
- Número de teléfono al que podemos llamarnos durante el día.

Haga una copia de su factura y guárdela con este manual. A fin de recibir el servicio técnico de la garantía, el cliente debe presentar un comprobante de compra.

9001335818 (9707)