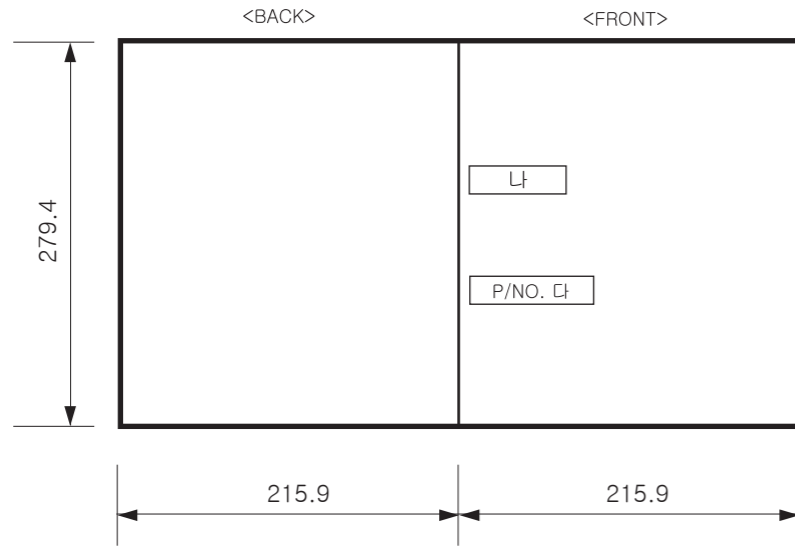


SEC. WORK	가	나	다	PRINTING DEGREE		MATERIAL AND PRINTING DESCRIPTION	LG MODEL 명	LANGUAGE	PAGE	REMARK
	BRAND	MODEL	P/NO.	EXTERIER	INTERIER					
16	LG	8178* 9178*	MFL69702016	1	1	표지:모조지 150g OFFSET 인쇄 내지:모조지 80g OFFSET 인쇄	-	English	84	Sears항 무선글루잉작업



<< 주 기 >>

1. 재질, 인쇄방법, 인쇄도수, 외곽치수등은 작업표에 준한다.
2. 인쇄내용, 문자크기 및 형상, 선의 굵기 등은 설계에서 제시된 FILM에 준함.
3. 외곽치수는 절단후 치수임.
4. 양산전에 설계 한도를 득할 것.
5. 본 부품에 금지물질이 포함되지 않도록 하고, 상세 내용은 LG(63)-A-5501-34를 만족할 것.

<< NOTES >>

1. Material, printing and exterier size are refer to work tables.
2. Printing, text size and line are based on LG design film.
3. Exterier size on the drawing is cutting line.
4. Before product controlled by criteria sample.
5. The part should not contain prohibited substances(Pb,Cd,Hg,Cr+6,PBB,PBDE) and details should comply with LG standard of LG(63)-A-5501-34.

PDF ILLUSTRATOR
DR COMPLETED
도면 DR 완료
완료일:

REV. NO.	REVISION DESCRIPTION	REF. NO.	DATE	PREPARED	APPROVED
기호	변경 사항	시방 번호	년/월/일	시방자	승인자
	매뉴얼 인쇄 내용 변경	EAGHC00586	17/12/20	장 인 백	정 영 석
	New Elite(D) Owners Manual, Sears측 요청에 따른 현실화 시방	EAGHB00951	17/11/29	장 인 백	정 영 석

TRIG.	UNIT	mm	SCALE	1/1
MODELING	DESIGNED	REVIEWED	CHECKED	APPROVED
	Megan 17.05.24		장 인 백 17.05.24	정 영 석 17.05.24
LG 전자 (주) LG Electronics Inc.			RELATED DWG.	DWG. No.

MANUAL, OWNER'S
New Elite(D)27 | 1 / 1
MFL69702016



Models/Modelos: 796.8178*, 796.9178*

Kenmore Elite® Steam Dryer

Secador con vapor

* = color number, número de color



MFL69702016
Sears Brands Management Corporation
Hoffman Estates, IL 60179 U.S.A.

www.kenmore.com



TABLE OF CONTENTS

IMPORTANT SAFETY INSTRUCTIONS	3-6
Grounding Requirements	4
FEATURES AND BENEFITS	
Key Parts and Components	7
INSTALLATION INSTRUCTIONS	
Key Dimensions and Specifications	8
Location Requirements	8
Choose the Proper Location	8
Clearances	8
Installation with Optional Pedestal Base or Stacking Kit	9
Accessories	9
Connecting Gas Dryers	10-11
Gas Requirements (Gas Models Only)	10
Electrical Requirements	10
Connecting Electric Dryers	12-1
Electrical Requirements	12
Venting the Dryer	14-15
Connecting the Inlet Hose	16
Leveling the Dryer	17
Reversing the Door Swing	17
Final Installation Check	18
Installation Test (Duck Check)	19
Restricted or Blocked Airflow	20
HOW TO USE	
Control Panel Features	21
Operating the Dryer	22
Sorting Loads	23
Loading the Dryer	23
Cycle Guide	24-25
Time and Status Display	26
Cycle Modifier Buttons	27
Cycle Options and Special Features	28
Installing and Using the Optional Drying Rack ..	28
Steam Features	29
Important Notes About Steam Functions	29
Using the STEAM SANITIZE Cycle	29
Using the STEAM REFRESH Cycle	29
Using the STATIC SHIELD Option	29
ACCELA STEAM	29
Steam Cycle Guide	30
Smart Features	30
FCC Notice	31
Wireless Module Specifications	31
Open Source Software Notice	31
USER MAINTENANCE INSTRUCTIONS	
Regular Cleaning	32
Maintaining the Exhaust System	33
DIAGNOSTICS	34
TROUBLESHOOTING GUIDE	
FAQs	35
Before Calling for Service	35-38
WARRANTY	39
SERVICE	Back Cover

PRODUCT RECORD

In the space below, record the date of purchase, model, and serial number of your product. You will find the model and serial number printed on an identification plate located inside the dryer door. Have these items of information available whenever you contact Sears concerning your product.

Model No. _____

Date of Purchase _____

Serial No. _____

Save these instructions and your sales receipt for future reference.

READ ALL INSTRUCTIONS BEFORE USE

Your safety and the safety of others is very important.


We have provided many important safety messages in this manual and on your appliance. Always read and obey all safety messages.


 This is the safety alert symbol.


This symbol alerts you to potential hazards that can kill or hurt you and others.

All safety messages will follow the safety alert symbol and either the word DANGER or WARNING.


These words mean:

 **DANGER:** Indicates a hazardous situation which, if not avoided, will result in death or serious injury.

 **WARNING:** Indicates a hazardous situation which, if not avoided, could result in death or serious injury.

 **CAUTION:** Indicates a hazardous situation which, if not avoided, could result in minor or moderate injury.

All safety messages will tell you what the potential hazard is, tell you how to reduce the chance of injury, and tell you what can happen if the instructions are not followed.

 **WARNING:** For your safety, the information in this manual must be followed to minimize the risk of fire or explosion, electric shock, or to prevent property damage, personal injury, or loss of life.

WARNING:

FIRE HAZARD

Failure to follow safety warnings exactly could result in serious injury, death or property damage.

- Do not install a booster fan in the exhaust duct.
- Install all clothes dryers in accordance with the installation instructions of the manufacturer of the dryer.

WARNING:

FIRE OR EXPLOSION HAZARD

Failure to follow safety warnings exactly could result in serious injury, death or property damage.

- Do not store or use gasoline or other flammable vapors and liquids in the vicinity of this appliance or any other appliances.
- Installation and service must be performed by a qualified installer, service agency, or the gas supplier.

WHAT TO DO IF YOU SMELL GAS:

1. Do not try to light a match or cigarette, or turn on any gas or electrical appliance.
2. Do not touch any electrical switches. Do not use any phones in your building.
3. Clear the room, building, or area of all occupants.
4. Immediately call your gas supplier from a neighbor's phone. Carefully follow the gas supplier's instructions.
5. If you cannot reach your gas supplier, call the fire department.

- Do not install a clothes dryer with flexible plastic venting materials. If a flexible metal (foil type) duct is installed, it must be of a specific type identified by the appliance manufacturer as suitable for use with clothes dryers. Flexible venting materials are known to collapse, be easily crushed, and trap lint. These conditions will obstruct clothes dryer airflow and increase the risk of fire.

SAVE THESE INSTRUCTIONS

IMPORTANT SAFETY INSTRUCTIONS

BASIC SAFETY PRECAUTIONS

⚠ WARNING: To reduce the risk of fire, electric shock, or injury to persons when using this appliance, follow basic precautions, including the following:

- Read all instructions before using the dryer.
- Before use, the dryer must be properly installed, as described in this manual.
- Do not place items exposed to cooking oils in your dryer. Items contaminated with cooking oils may contribute to a chemical reaction that could cause a load to catch fire.
- Do not dry articles that have been previously cleaned in, washed in, soaked in, or spotted with gasoline, dry-cleaning solvents, or other flammable or explosive substances, as they give off vapors that could ignite or explode.
- Do not reach into the dryer if the drum or any other part is moving.
- Do not repair or replace any part of the dryer or attempt any servicing unless specifically recommended in this Use and Care Guide or in published user-repair instructions that you understand and have the skills to carry out.
- Do not tamper with controls.
- Before the dryer is removed from service or discarded, remove the door to the drying compartment.
- Do not allow children to play on or in the dryer. Close supervision of children is necessary when the dryer is used near children.
- Do not use fabric softeners or products to eliminate static unless recommended by the manufacturer of the fabric softener or product.
- Do not use heat to dry articles containing foam rubber or similarly textured rubber-like materials.
- Keep area around the exhaust opening and adjacent surrounding areas free from the accumulation of lint, dust, and dirt.
- The interior of the dryer and exhaust vent should be cleaned periodically by qualified service personnel.
- Do not install or store the dryer where it will be exposed to the weather.
- Always check the inside of the dryer for foreign objects.
- Clean the lint filter before or after each load.

CALIFORNIA SAFE DRINKING WATER AND TOXIC ENFORCEMENT ACT

This act requires the Governor of California to publish a list of substances known to the state to cause cancer, birth defects, or other reproductive harm and requires businesses to warn customers of potential exposure to such substances. Gas appliances can cause minor exposure to four of these substances, namely benzene, carbon monoxide, formaldehyde, and soot, caused primarily by the incomplete combustion of natural gas or LP fuels.

Properly adjusted dryers will minimize incomplete combustion. Exposure to these substances can be minimized further by properly venting the dryer to the outdoors.

GROUNDING REQUIREMENTS

This appliance must be grounded. In the event of malfunction or breakdown, grounding will reduce the risk of electric shock by providing a path of least resistance for electric current. This appliance must be equipped with a cord having an equipment-grounding conductor and a grounding plug. The plug must be plugged into an appropriate outlet that is properly installed and grounded in accordance with all local codes and ordinances.

Warning: This product contains chemicals known to the State of California to cause cancer and birth defects or other reproductive harm. ***Wash hands after handling.***

⚠ WARNING: Improper connection of the equipment-grounding conductor can result in a risk of electric shock. Check with a qualified electrician or service person if you are in doubt as to whether the appliance is properly grounded. Do not modify the plug provided with the appliance. If it will not fit the outlet, have a proper outlet installed by a qualified electrician. This appliance must be connected to a grounded metal, permanent wiring system or an equipment grounding conductor must be run with the circuit conductors and connected to the equipment grounding terminal or lead on the appliance. Electrical shock can result if the dryer is not properly grounded.

SAFETY INSTRUCTIONS FOR INSTALLATION

⚠ WARNING: To reduce the risk of fire, electric shock, or injury to persons when using this appliance, follow basic precautions, including the following:

- **Properly ground dryer to conform with all governing codes and ordinances.** Follow details in the installation instructions. Electrical shock can result if the dryer is not properly grounded.
- **Before use, the dryer must be properly installed as described in this manual.** Electrical shock can result if the dryer is not properly grounded.
- **Install and store the dryer where it will not be exposed to temperatures below freezing or exposed to the weather.**
- **All repairs and servicing must be performed by an authorized service technician unless specifically recommended in this Use & Care Guide. Use only authorized factory parts.** Failure to follow this warning can cause serious injury, fire, electrical shock, or death.
- **To reduce the risk of electrical shock, do not install the dryer in humid spaces.** Failure to follow this warning can cause serious injury, fire, electrical shock, or death.
- **Connect to a properly rated, protected, and sized power circuit to avoid electrical overload.** Improper power circuits can melt, creating risk of electrical shock and/or fire hazard.
- **Remove all packing items and dispose of all shipping materials properly.** Failure to do so can result in death, fire, explosion, burns, or death.
- **Place dryer at least 18 inches (45.7 cm) above the floor for a garage installation.** Failure to do so can result in fire, explosion, burns, or death.
- **Keep all packaging from children.** Packaging material can be dangerous for children. There is a risk of suffocation.
- **Do not install near items that produce heat or open flame** such as stoves or cooking ovens. Failure to follow this warning can cause product deformation, smoke and fire.
- **Do not place candles or cigarettes on top of the product.** Failure to follow this warning can cause product deformation, smoke and fire.
- **Remove all protective vinyl film from the product.** Failure to do so can cause product deformation, smoke and fire.

Exhaust/Ducting:

- **Gas dryers MUST be exhausted to the outside.** Failure to follow these instructions can result in fire or death.
- **The dryer exhaust system must be exhausted to the outside of the dwelling. If the dryer is not exhausted outdoors, some fine lint and large amounts of moisture will be expelled into the laundry area.** An accumulation of lint in any area of the home can create a health and fire hazard.
- **Use only rigid metal or flexible metal 4-inch (10.2-cm) diameter duct inside the dryer cabinet or for exhausting to the outside. Use of plastic or other combustible ductwork can cause a fire. Punctured ductwork can cause a fire** if it collapses or becomes otherwise restricted in use or during installation.
- **Ductwork is not provided with the dryer, and you should obtain the necessary ductwork locally. The end cap should have hinged dampers to prevent backdraft when the dryer is not in use.** Failure to follow these instructions can result in fire or death.
- **The exhaust duct must be 4 inches (10.2 cm) in diameter with no obstructions. The exhaust duct should be kept as short as possible. Make sure to clean any old ducts before installing your new dryer.** Failure to follow these instructions can result in fire or death.
- **Rigid or semi rigid metal ducting is recommended for use between the dryer and the wall. In special installations when it is impossible to make a connection with the above recommendations, a UL listed flexible metal transition duct may be used between the dryer and wall connection only. The use of this ducting will affect drying time.** Failure to follow these instructions can result in fire or death.
- **DO NOT use sheet metal screws or other fasteners which extend into the duct that could catch lint and reduce the efficiency of the exhaust system.** Secure all joints with duct tape. For complete details, follow the Installation Instructions. Failure to follow these instructions can result in fire or death.

IMPORTANT SAFETY INSTRUCTIONS

SAFETY INSTRUCTIONS FOR STEAM FUNCTIONS

⚠ WARNING: To reduce the risk of fire, electric shock, or injury to persons when using this appliance, follow basic precautions, including the following:

- **Do not open the dryer door during steam cycles.** Failure to follow these instructions can result in a burn hazard.
- **Do not touch the steam nozzle in the drum during or after the steam cycle.** Failure to follow these instructions can result in a burn hazard.
- **Do not dry articles that have been previously cleaned in, washed in, soaked in, or spotted with gasoline, dry-cleaning solvents, or other flammable or explosive substances, as they give off vapors that could ignite or explode.** Failure to follow these instructions can result in fire or death.

SAFETY INSTRUCTIONS FOR CONNECTING ELECTRICITY

⚠ WARNING: To reduce the risk of fire, electric shock, or injury to persons when using this appliance, follow basic precautions, including the following:

- **Do not, under any circumstances, cut or remove the ground prong from the power cord.** To prevent personal injury or damage to the dryer, the electrical power cord must be plugged into a properly grounded outlet.
- **For personal safety, this dryer must be properly grounded.** Failure to do so can result in electrical shock or injury.
- **Refer to the installation instructions in this manual for specific electrical requirements for your model.** Failure to follow these instructions can create an electrical shock hazard and/or a fire hazard.
- **This dryer must be plugged into a properly grounded outlet. Electrical shock can result if the dryer is not properly grounded. Have the wall outlet and circuit checked by a qualified electrician to make sure the outlet is properly grounded.** Failure to follow these instructions can create an electrical shock hazard and/or a fire hazard.
- **The dryer should always be plugged into its own individual electrical outlet which has a voltage rating that matches the rating plate.** This provides the best performance and also prevents overloading house wiring circuits which could cause a fire hazard from overheated wires.
- **Never unplug your dryer by pulling on the power cord. Always grip the plug firmly and pull straight out from the outlet.** The power cord can be damaged, resulting in a risk of fire and electrical shock.
- **Repair or replace immediately all power cords that have become frayed or otherwise damaged. Do not use a cord that shows cracks or abrasion damage along its length or at either end.** The power cord can melt, creating electrical shock and/or fire hazard.
- **When installing or moving the dryer, be careful not to pinch, crush, or damage the power cord.** This will prevent injury and prevent damage to the dryer from fire and electrical shock.

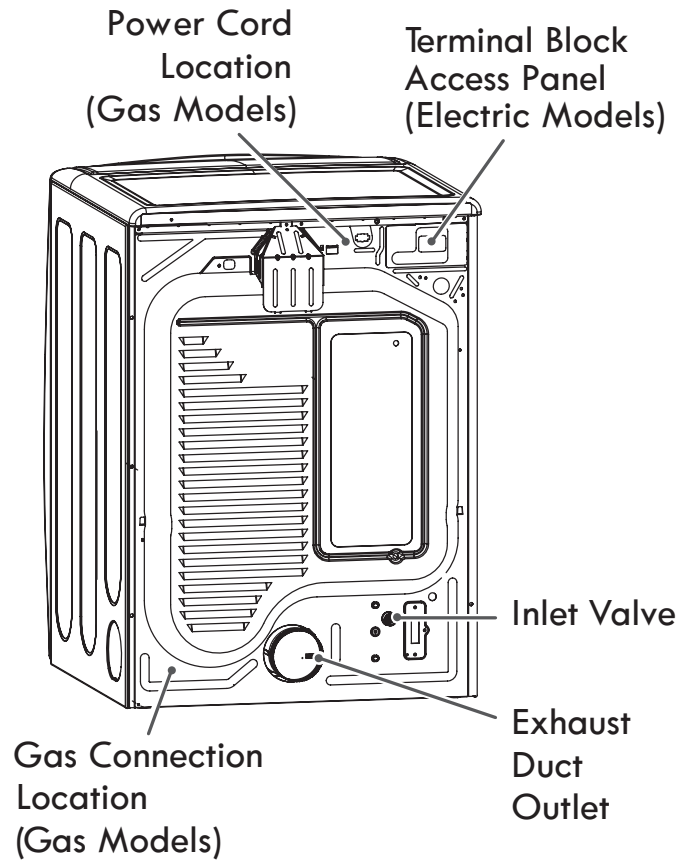
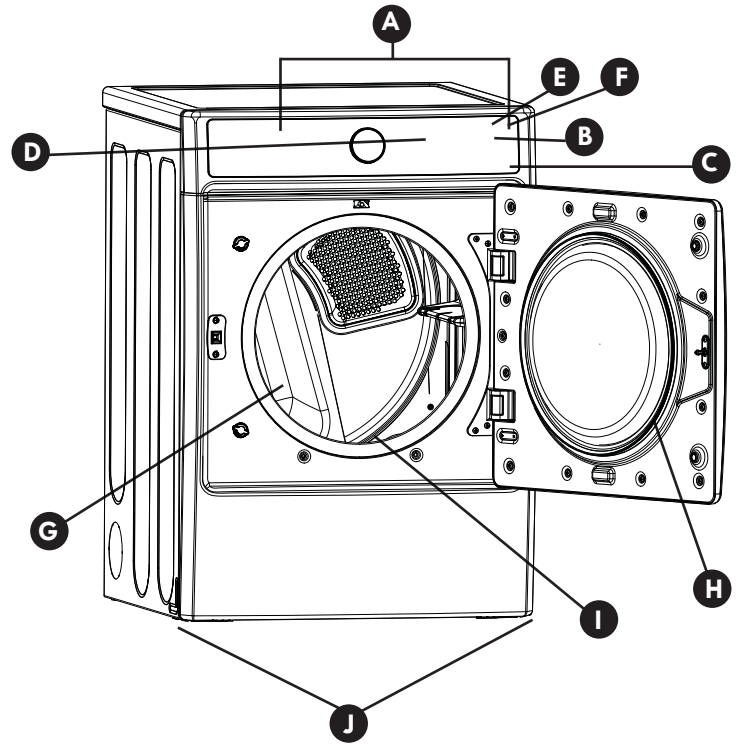
SAVE THESE INSTRUCTIONS

FEATURES AND BENEFITS

KEY PARTS AND COMPONENTS

There are several important components that are referenced in this manual.

- A EASY-TO-USE CONTROL PANEL**
Rotate the cycle selector knob to select the desired dry cycle. Add cycle options or adjust settings with the touch of a button.
- B TIME AND STATUS DISPLAY**
The easy-to-read LED display shows cycle status and estimated time remaining.
- C CYCLE MODIFIERS**
Adjust the cycle settings such as temperature and dry level with the touch of a button.
NOTE: Not all settings are available for all cycles.
- D CHECK VENT**
(Duct Blockage Sensing System)
The Check Vent (Duct blockage sensing system) detects and alerts you to blockages in the exhaust system that reduce airflow from the dryer. Maintaining clean exhaust system ducts improves operating efficiency and helps minimize service calls, saving you money.
- E SMART GRID**
Lower your energy costs when you dry your clothes by avoiding peak usage times.
- F REMOTE START**
Use a smart phone to control your dryer remotely.
- G ULTRA-CAPACITY STAINLESS STEEL DRUM WITH DRUM LIGHT**
The ultra-large stainless steel drum offers superior durability. The drum light can be turned on during a cycle by pressing and holding the WRINKLE GUARD button for three seconds. The light also comes on when the door is opened, if the control is ON.
- H EASY-ACCESS REVERSIBLE DOOR**
The wide-opening, see-through glass door provides easy access for loading and unloading. Door swing can be reversed to adjust for installation location.
- I FRONT-MOUNT LINT FILTER**
The front-mount lint filter allows for easy access and cleaning between loads.
- J LEVELING FEET**
Four leveling feet (two in front, and two in back) adjust to improve dryer stability on uneven floors.



Rear of Dryer

INSTALLATION INSTRUCTIONS

KEY DIMENSIONS AND SPECIFICATIONS

Description	Dryer: 796.8178* Electric and 796.9178* Gas
Electrical Requirements	Refer to the rating label
Gas Requirements** NG:	4–10.5 inches WC (Water Column)
Gas Requirements** LP:	8–13 inches WC
Dimensions	27 in. (W) X 30 ¼ in. (D) X 38 ⅞ in. (H), 52 ¼ in. (D with door open) 68.6 cm (W) X 76.7cm (D) X 98.3 cm (H), 132.7 cm (D with door open)
Net Weight	Electric: 140.2 lb (63.6 kg) Gas: 143.1 lb (64.9 kg)
Drying Capacity	IEC 7.4 cu. ft.

**Gas Models Only

LOCATION REQUIREMENTS

IMPORTANT: Read all installation instructions completely before installing and operating your dryer. It is important that you review this entire manual before installing and using your dryer. It contains detailed instructions concerning electrical connections, gas connections and exhaust requirements.

CHOOSE THE PROPER LOCATION

- Store and install the dryer where it will not be exposed to temperatures below freezing or exposed to outdoor weather conditions.
- Choose a location with a solid, level floor.
- If the dryer is being installed in a garage, place the dryer at least 18 inches (45.7cm) above the floor.
- Properly ground the dryer to conform with all governing codes and ordinances.
- To reduce the risk of electric shock, do not install the dryer in damp or wet locations.

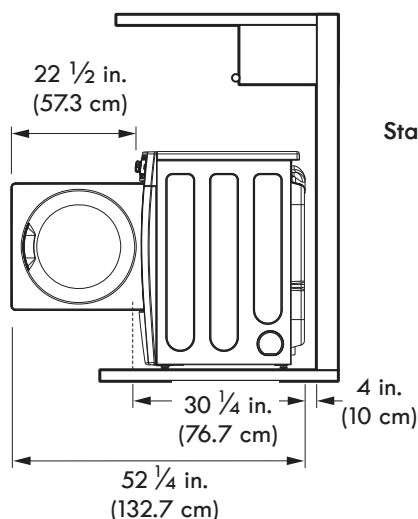
NOTE: Installing the dryer in a humid space, or installing or storing the dryer where it will be exposed to the weather or freezing temperatures, may result in rust or other damage that is not covered by the product warranty.

IMPORTANT: If you are installing your dryer in a manufactured or mobile home, please refer to the **Special Electrical Requirements for Mobile or Manufactured Homes** section.

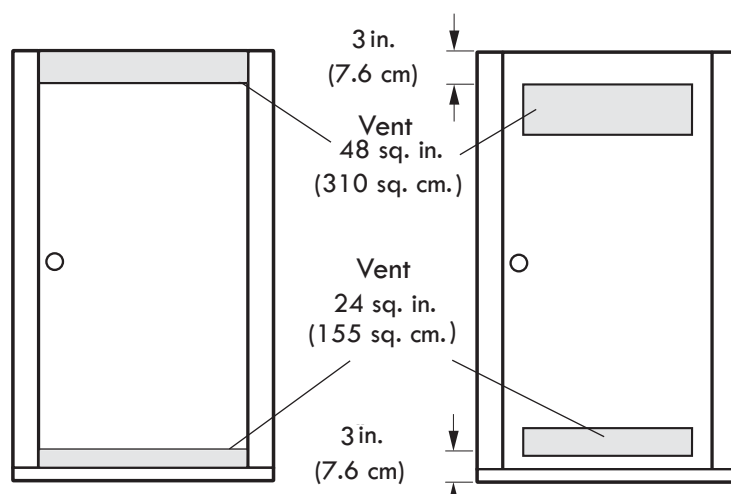
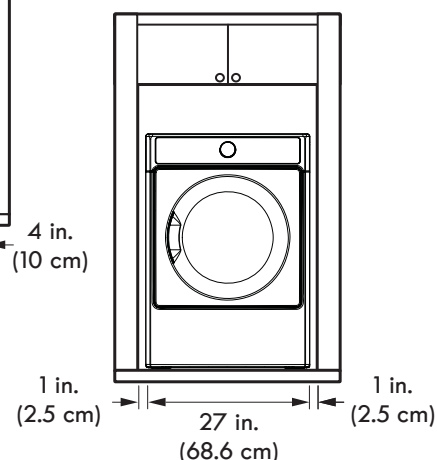
CLEARANCES

- Most installations require a minimum of 5 ½ inches (14 cm) of clearance behind the dryer for the exhaust ducting.
- Allow minimum clearances of at least 1 inch (2.5 cm) on the sides and back to minimize vibration and noise.
- Allowing additional clearance for installation and servicing is recommended.
- Be sure to allow for wall, door, or floor moldings that may increase the required clearances.
- Allow at least 22 ½ inches (57.3 cm) in front of the dryer to open the door.
- Allow a minimum clearance of at least 4 inches (10 cm) behind the dryer for closet installation.

Standard Installation – Side View



Standard Installation – Front View

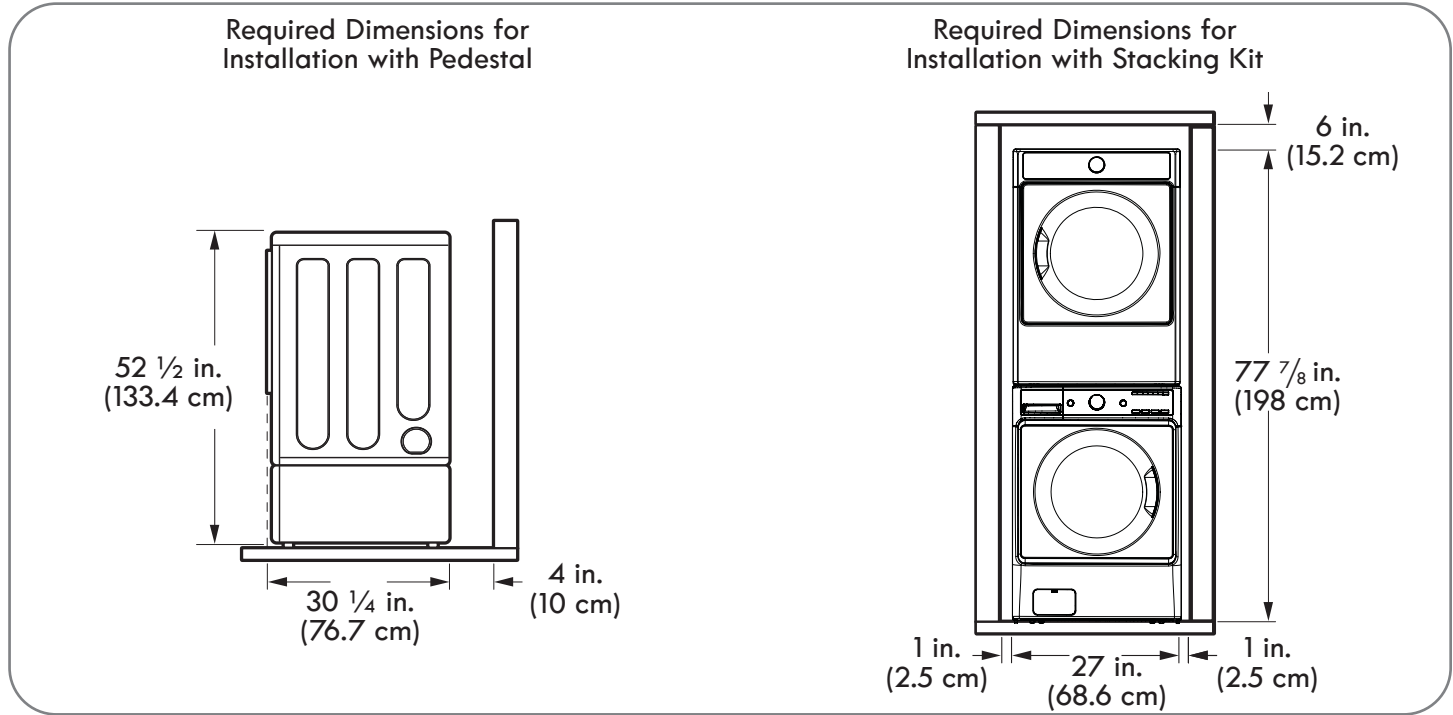


Additional instructions for closet installations:

The closet door must allow for sufficient airflow. Refer to the diagram above for minimum vent opening requirements. A louvered door is also acceptable.

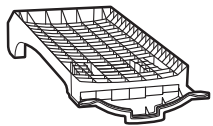
INSTALLATION WITH OPTIONAL PEDESTAL BASE OR STACKING KIT

IMPORTANT: If you are installing your dryer using an optional pedestal base or stacking kit, refer to the instructions included with the accessory.

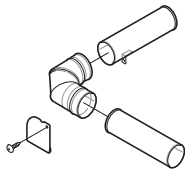


ACCESSORIES

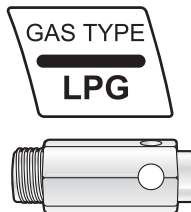
Optional Accessories
(sold separately)



drying rack**
No. 3751EL1001B

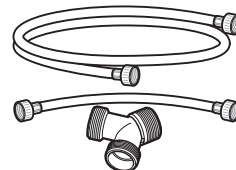


side vent kit*
Kit No. 26-49670

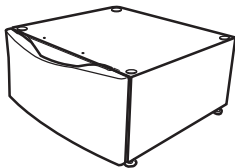


LP conversion kit*
No. D26-17025

Required Accessories
(sold separately)



Hoses and Y connector*
Kit No. 26-59029



pedestal*
White = 51122
Metallic Silver = 51123



stacking kit*
Chrome Look = D26-17013

* at Sears.com
** at SearsPartsDirect.com

Use the LP conversion kit for changing the dryer gas connections from natural gas (NG) to propane gas (LP).
NOTE: Installation of the LP conversion kit must be performed by a qualified service technician.

INSTALLATION INSTRUCTIONS

CONNECTING GAS DRYERS

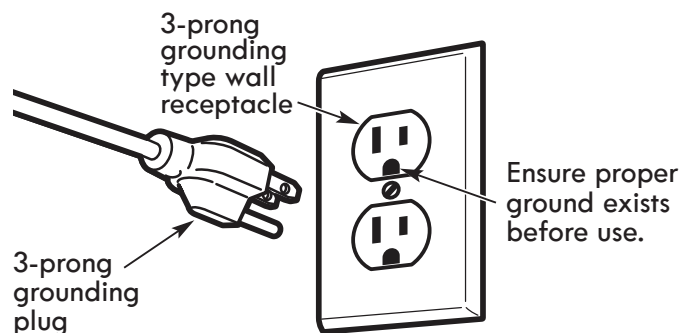
GAS REQUIREMENTS (GAS MODELS ONLY)

⚠ WARNING: To reduce the risk of fire, electric shock, or injury to persons when using this appliance, follow basic precautions, including the following:

- **Gas supply requirements:** As shipped from the factory, this dryer is configured for use with natural gas (NG). It can be converted for use with propane (LP) gas. Gas pressure must not exceed 8 inches water column (203.2 mm H₂O) for NG, or 13 inches water column (330.2 mm H₂O) for LP.
- A qualified service or gas company technician must connect the dryer to the gas service. Failure to follow these instructions can result in fire, explosion, or death.
- Isolate the dryer from the gas supply system by closing its individual manual shutoff valve during any pressure testing of the gas supply. Failure to do so can result in fire, explosion, or death.
- **Supply line requirements:** Your laundry room must have a rigid gas supply line to your dryer. In the United States, an individual manual shutoff valve **MUST** be installed within at least 6 ft. (1.8 m) of the dryer, in accordance with the National Fuel Gas Code ANSI Z223.1 or Canadian gas installation code CSA B149.1. A 1/8-inch (0.3 cm) NPT pipe plug must be installed. Failure to do so can result in fire, explosion, or death.
- If using a rigid pipe, the rigid pipe should be 1/2 inch (1.2 cm) IPS. If acceptable under local codes and ordinances and when acceptable to your gas supplier, 3/8-inch (0.95-cm) approved tubing may be used where lengths are less than 20 ft. (6.1 m). Larger tubing should be used for lengths in excess of 20 ft. (6.1 m). Failure to do so can result in fire, explosion, or death.
- **Connect the dryer to the type of gas shown on the nameplate.** Failure to do so can result in fire, explosion, or death.
- **To prevent contamination of the gas valve, purge the gas supply of air and sediment before connecting the gas supply to the dryer. Before tightening the connection between the gas supply and the dryer, purge remaining air until the odor of gas is detected.** Failure to do so can result in fire, explosion, or death.
- **DO NOT use an open flame to inspect for gas leaks. Use a noncorrosive leak detection fluid.** Failure to do so can result in fire, explosion, or death.
- **Use only a new AGA- or CSA-certified gas supply line with flexible stainless steel connectors.** Failure to do so can result in fire, explosion, or death.
- **Securely tighten all gas connections.** Failure to do so can result in fire, explosion, or death.
- **Use Teflon tape or a pipe-joint compound that is insoluble in propane (LP) gas on all pipe threads.** Failure to do so can result in fire, explosion, or death.
- **DO NOT attempt any disassembly of the dryer; disassembly requires the attention and tools of an authorized and qualified service technician or company.** Failure to follow this warning can result in fire, explosion, or death.

ELECTRICAL REQUIREMENTS FOR GAS MODELS ONLY

- **Do not, under any circumstances, cut or remove the third (ground) prong from the power cord.** Failure to follow this warning can result in fire, explosion, or death.
- **For personal safety, this dryer must be properly grounded.** Failure to follow this warning can result in fire, explosion, or death.
- **The power cord of this dryer is equipped with a 3-prong (grounding) plug which mates with a standard 3-prong (grounding) wall outlet to minimize the possibility of electric shock hazard from this appliance.** Failure to follow this warning can result in fire, explosion, or death.
- **This dryer must be plugged into a 120-VAC, 60-Hz. grounded outlet protected by a 15-ampere fuse or circuit breaker.** Failure to follow this warning can result in fire, explosion, or death.
- **Where a standard 2-prong wall outlet is encountered, it is your personal responsibility and obligation to have it replaced with a properly grounded 3-prong wall outlet.** Failure to follow this warning can result in fire, explosion, or death.



CONNECTING GAS DRYERS (continued)

⚠ WARNING: To reduce the risk of fire, electric shock, or injury to persons when using this appliance, follow basic precautions, including the following:

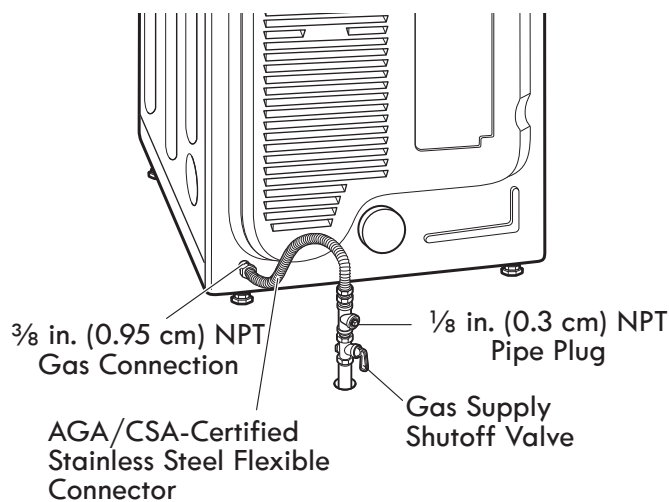
- **Installation and service must be performed by a qualified installer, service agency, or the gas supplier.** Failure to do so can result in fire, explosion, or death.
- **Use only a new stainless steel flexible connector and a new AGA-certified connector.** Failure to do so can result in fire, explosion, or death.
- **A gas shutoff valve must be installed within 6 ft. (1.8 m) of the dryer.** Failure to do so can result in fire, explosion, or death.
- **The dryer is configured for natural gas when shipped from the factory. Make sure that the dryer is equipped with the correct burner nozzle for the type of gas being used (natural gas or propane gas).** Failure to do so can result in fire, explosion, or death.
- **If necessary, the correct nozzle (for the LP nozzle kit, order part number D26-17025) should be installed by a qualified technician and the change should be noted on the dryer.** Failure to do so can result in fire, explosion, or death.
- **All connections must be in accordance with local codes and regulations.** Failure to do so can result in fire, explosion, or death.
- **Gas dryers MUST exhaust to the outdoors.** Failure to do so can result in fire, explosion, or death.

Connecting the Gas Supply

NOTE: This dryer is configured from the factory set for natural gas (NG). If dryer is to be used with propane (LP) gas, it must be converted by a qualified service technician.

- 1 Make sure that the gas supply to the laundry room is turned OFF and the dryer is unplugged. Confirm that the type of gas available in your laundry room is appropriate for the dryer.
- 2 Remove the shipping cap from the gas fitting at the back of the dryer. Be careful not to damage the threads of the gas connector when removing the shipping cap.
- 3 Connect the dryer to your laundry room's gas supply using a new flexible stainless steel connector with a 3/8 inches NPT fitting.

NOTE: DO NOT use old connectors.
- 4 Securely tighten all connections between the dryer and your laundry room's gas supply.
- 5 Turn on the gas supply.
- 6 Check all pipe connections (both internal and external) for gas leaks with a noncorrosive leak-detection fluid.
- 7 Proceed to Venting the Dryer.



High-Altitude Installations

The BTU rating of this dryer is AGA-certified for elevations below 10,000 feet.

If your gas dryer is being installed at an elevation above 10,000 feet, it must be derated by a qualified technician or gas supplier.

INSTALLATION INSTRUCTIONS

CONNECTING ELECTRIC DRYERS ELECTRICAL REQUIREMENTS

⚠ WARNING: To help prevent fire, electrical shock, serious injury, or death, the wiring and grounding must conform to the latest edition of the National Electrical Code, ANSI/NFPA 70 and all applicable local regulations. Please contact a qualified electrician to check your home's wiring and fuses to ensure that your home has adequate electrical power to operate the dryer.

Special Electrical Requirements for Mobile or Manufactured Homes

⚠ WARNING: To reduce the risk of fire, electric shock, or injury to persons when using this appliance, follow basic precautions, including the following:

- Any installation in a manufactured or mobile home must comply with the **Manufactured Home Construction and Safety Standards Title 24 CFR, Part 3280 or Standard CAN/CSA Z240 MH** and local codes and ordinances.
- A 4-wire connection is required for all mobile and manufactured home installations, as well as all new construction after January 1, 1996. Failure to do so can result in fire, explosion, or death.

Electrical Requirements for Electric Models Only

⚠ WARNING: To reduce the risk of fire, electric shock, or injury to persons when using this appliance, follow basic precautions, including the following:

- This dryer must be connected to a grounded metal, permanent wiring system, or an equipment grounding conductor must be run with the circuit conductors and connected to the equipment grounding terminal or lead on the dryer. Failure to do so can result in fire, explosion, or death.
- The dryer has its own terminal block that must be connected to a separate 240 VAC, 60-Hertz, single phase circuit, fused at 30 amperes (the circuit must be fused on both sides of the line). **ELECTRICAL SERVICE FOR THE DRYER SHOULD BE OF THE MAXIMUM RATE VOLTAGE LISTED ON THE NAMEPLATE. DO NOT CONNECT DRYER TO 110-, 115-, OR 120-VOLT CIRCUIT.** Failure to follow these instructions can result in fire, explosion, or death.
- If branch circuit to dryer is 15 ft. (4.5 m) or less in length, use UL (Underwriters Laboratories) listed No.-10 AWG wire (copper wire only), or as required by local codes. If over 15 ft. (4.50 m), use UL-listed No.-8 AWG wire (copper wire only), or as required by local codes. Allow sufficient slack in wiring so dryer can be moved from its normal location when necessary. Failure to do so can result in fire, explosion, or death.
- The power cord (pigtail) connection between wall receptacle and dryer terminal block **IS NOT** supplied with the dryer. Type of pigtail and gauge of wire must conform to local codes and with instructions on the following pages. Failure to follow these instructions can result in fire, explosion, or death.
- A 4-wire connection is required for all new construction after January 1, 1996. A 4-wire connection must be used where local codes do not permit grounding through the neutral wire. Failure to do so can result in fire, explosion, or death.

CONNECTING ELECTRIC DRYERS (continued)

⚠ WARNING:

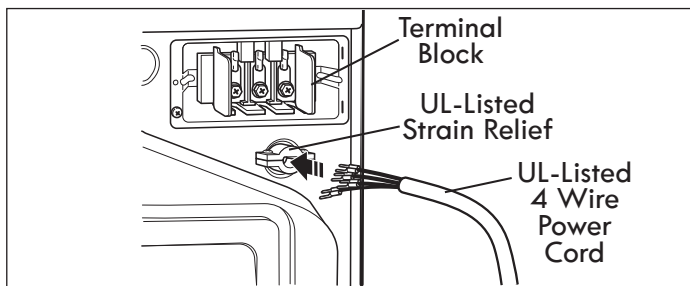
Connect the power cord to the terminal block. Connect each power cord wire to the terminal block screw that has the same colored wire. For example, connect the black power cord wire to the terminal block screw with the black wire. Failure to follow these instructions may result in a short or overload.

Four-Wire Power Cord

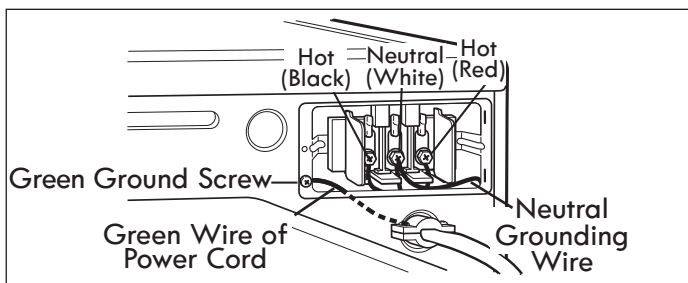


- A 4-wire connection is required for all mobile and manufactured home installations, as well as all new construction after January 1, 1996.

- A UL-listed strain relief is required.
- Use a **30-amp, 240-volt, 4-wire, UL-listed power cord with #10 AWG-minimum copper conductor** and closed loop or forked terminals with upturned ends.



- 1 Remove the terminal block access cover on the upper back of the dryer.
- 2 Install a UL-listed strain relief into the power cord through-hole.
- 3 Thread a 30-amp, 240-volt, 4-wire, UL-listed power cord with #10 AWG-minimum copper conductor through the strain relief.



- 4 Transfer the neutral grounding wire from behind the green ground screw to the center screw of the terminal block.
- 5 Attach the two hot leads (black and red) of the power cord to the outer terminal block screws.
- 6 Attach the power cord white neutral wire to the center screw of the terminal block.
- 7 Attach the power cord ground wire to the green ground screw.
- 8 **TIGHTEN ALL SCREWS SECURELY.**
- 9 Reinstall the terminal block access cover.

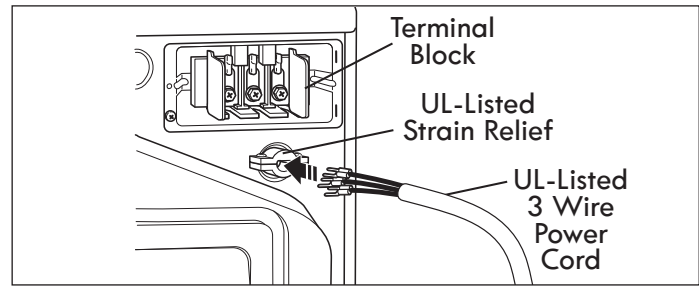
Grounding through the neutral wire is prohibited for: (1) new branch-circuit installations, (2) mobile homes, (3) recreational vehicles, and (4) areas where local codes prohibit grounding through the neutral wire.

Three-Wire Power Cord

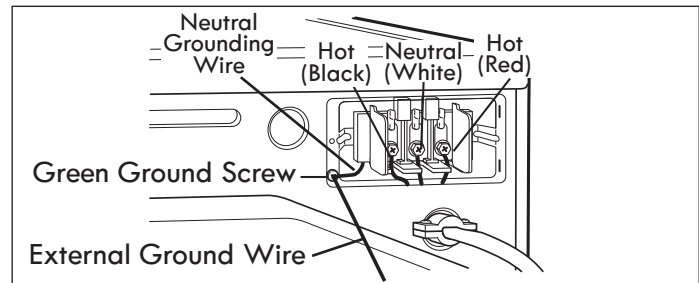


- A 3-wire connection is **NOT** permitted on new construction after January 1, 1996.
- A UL-listed strain relief is required.

- Use a 30-amp, 240-volt, 3-wire, UL-listed power cord with #10 AWG-minimum copper conductor and closed loop or forked terminals with upturned ends.



- 1 Remove the terminal block access cover on the upper back of the dryer.
- 2 Install a UL-listed strain relief into the power cord through-hole.
- 3 Thread a 30-amp, 240-volt, 3-wire, UL-listed power cord with #10 AWG-minimum copper conductor through the strain relief.



- 4 Attach the two hot leads (black and red) of the power cord to the outer terminal block screws.
- 5 Attach the power cord neutral (white) wire to the center terminal block screw.
- 6 Connect the external ground (if required by local codes) to the green ground screw.
- 7 **TIGHTEN ALL SCREWS SECURELY.**
- 8 Reinstall the terminal block access cover.

VENTING THE DRYER

IMPORTANT! CHECK YOUR EXHAUST SYSTEM FOR PROBLEMS

The most common cause of dryer problems is poor exhaust venting. Before installing your new dryer, check the items listed below to make sure you get the best possible performance. This can save you time and money by reducing cycle times and increasing energy efficiency.

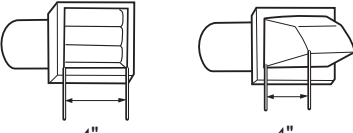
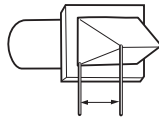
- **DIRTY OR DAMAGED EXHAUST DUCTS.** Lint builds up in exhaust ducts over time. This decreases the airflow and makes the dryer work harder. Visually inspect your ducts from both ends and have them cleaned if they have not been cleaned recently.
- **WRONG VENT MATERIAL.** Check your vent to make sure it is rigid or semi-rigid metal ducting. If your venting is plastic or flexible foil, have it replaced before using the dryer.

- **RESTRICTED OR DAMAGED VENT HOOD.** Check your vent hood outside. It must be clean and free of lint buildup. Check the damper and make sure it opens fully and easily.
- **EXCESSIVELY LONG VENT.** Measure the length of your exhaust system and count the elbows. Use the chart below to see if your duct is too long. If it is too long, have the duct routed to another location that is within the venting guidelines.
- **DO NOT USE PLASTIC OR FOIL VENTING.** The transition duct from your dryer to the wall must be rigid or semi-rigid metal ducting. If your old transition duct is plastic or foil, REPLACE IT with semi-rigid metal ducting.

Using the DUCT LENGTH CHART (below)

- 1 Find your vent hood type in the chart below.
- 2 Select the row that matches the number of elbows in your dryer duct run.
- 3 Look to the right of the elbow number for the maximum duct length for your installation. Longer duct length will result in reduced drying performance, longer dry times and increased energy consumption. Extremely long ducts can even shorten the life of the dryer.

DO NOT exceed the maximum length for the vent hood type and number of elbows used.

Vent Hood Type	Number of 90° Elbows	Maximum length of 4" (10.2 cm) diameter rigid metal duct
<p>Recommended</p>  <p>4" (10.2 cm) 4" (10.2 cm)</p>	0	65 feet (19.8 m)
	1	55 feet (16.8 m)
	2	47 feet (14.3 m)
	3	36 feet (11.0 m)
	4	28 feet (8.5 m)
<p>Only for Short-Run Installations</p>  <p>2 1/2" (6.35 cm)</p>	0	55 feet (16.8 m)
	1	47 feet (14.3 m)
	2	41 feet (12.5 m)
	3	30 feet (9.1 m)
	4	22 feet (6.7 m)

NOTE: Deduct 6 ft. (1.8 m) for each additional elbow. Using more than four 90° elbows is not recommended.

VENTING THE DRYER (continued)

Routing and Connecting Ductwork

Follow the guidelines below to maximize dryer performance and reduce lint buildup and condensation in the ductwork.

NOTE: Transition duct (from dryer to wall) and fittings are NOT included and **must** be purchased separately.

- Use 4-inch (10.2 cm) diameter rigid or semi-rigid metal duct.
- The exhaust duct run should be as short as possible.
- Use as few elbow joints as possible.
- The male end of each section of exhaust duct **must** point away from the dryer. See figure on lower right of page.
- Use duct tape on all joints. Never use screws.
- Insulate ducts that runs through unheated areas in order to reduce condensation and lint buildup on duct surfaces.
- The total length of semi-rigid metal transition duct should not exceed 8 ft. (2.4 m).

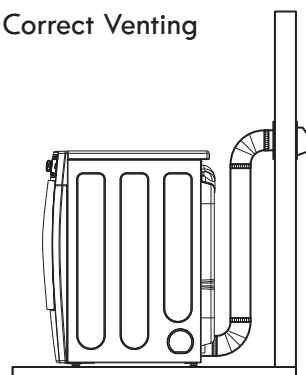
⚠ WARNING: Failure to follow these guidelines will result in poor performance, product failure, and/or result in fire or death.

IMPORTANT: Failure to exhaust the dryer, per the guidelines included within these instructions, may result in unsatisfactory dryer performance. All venting and ductwork beyond the exterior of the dryer is the responsibility of the consumer. Product failure, as a result of improper venting, is not covered by the dryer warranty.

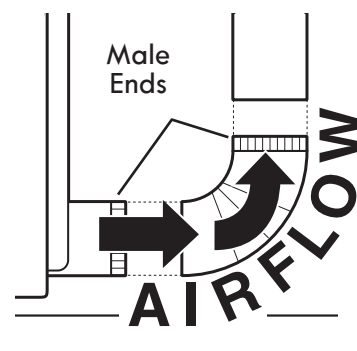
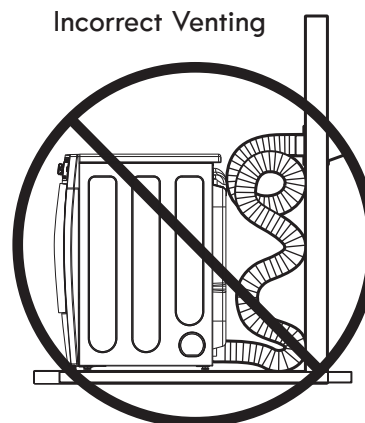
Connecting the Dryer Vent

- 1 Verify all ducts and elbows are clean and free from any blockages.
- 2 Measure duct length. DO NOT exceed the maximum length listed in the Duct Length Chart.
- 3 Connect dryer exhaust to existing duct.
 - Only use duct tape or clamps.
 - DO NOT use screws to secure ductwork.
 - Use rigid or semi-rigid metal ducts.
 - DO NOT use plastic or thin metal foil tubing for ductwork.
 - The male end of each elbow must always point in the direction of the airflow.

Correct Venting



Incorrect Venting



INSTALLATION INSTRUCTIONS

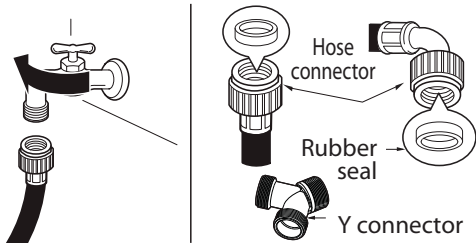
CONNECTING THE INLET HOSE

The dryer must be connected to the cold water tap using the new water supply hose. Do not use old hoses.

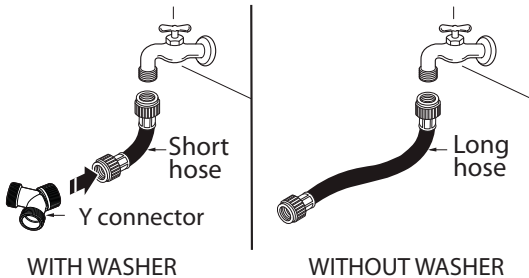
NOTE:

- Water supply pressure must be between 20 psi and 120 psi (138–827 kPa).
- Do not strip or cross-thread when connecting inlet hose to the valve.
- If the water supply pressure is more than 120 psi (827 kPa), a pressure reducing valve should be installed.
- Periodically check the condition of the hose and replace the hose if necessary.
- Replace inlet hoses after 5 years of use to reduce the risk of hose failure.
- Record hose installation or replacement dates on the hoses for future reference.

1. Check the rubber seal in the inlet hose. Two rubber seals are supplied with each inlet hose. They are used for preventing water leaks. Make sure the connection



to the cold water tap is tight.



2. Check the installation type.

Connect all water supply hoses tightly by hand and then tighten another 2/3 turn with pliers.

WITH WASHER: When connecting the dryer to the same faucet as a washer.

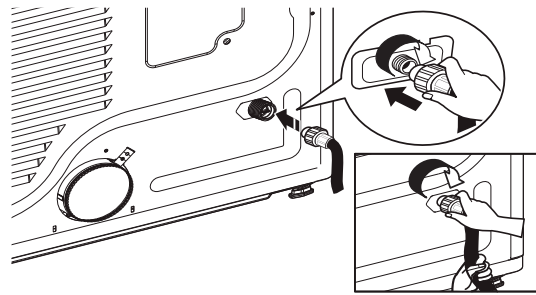
- a. Shut off the cold water tap and remove the washer hose.
- b. Connect the short hose to the Y-connector.
- c. Connect the other end of the short hose to the cold water faucet.
- d. Connect the long dryer hose to one side of the Y-connector and connect the washer hose to the other side.

WITHOUT WASHER: If the dryer does not share the cold water tap with a washer.

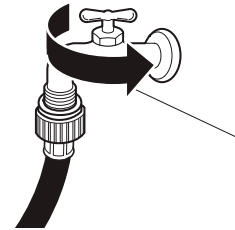
- a. Connect the straight end of the long hose to the cold water faucet.

NOTE:

- Before connecting the water line to the dryer, flush several gallons of water into a drain or bucket. This will help prevent foreign particles such as sand and scale from clogging the dryer inlet valve.
 - Do not overtighten. Damage to the coupling can result.
3. Connect the hose to the dryer.
- Connect the water supply hose to the dryer inlet valve tightly by hand and then tighten another 2/3 turn with pliers. Make sure that there are no kinks in

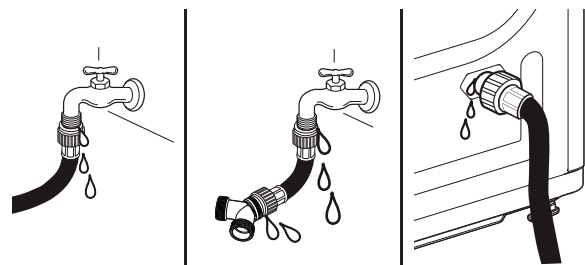


the hoses and that they are not crushed.



4. Turn on the cold water faucet.

5. Check for leaks at the Y-connector (if used) and all



hoses.

NOTE:

- If any leaks are found, shut off the water faucet, remove the hose and check the condition of the hose washer.

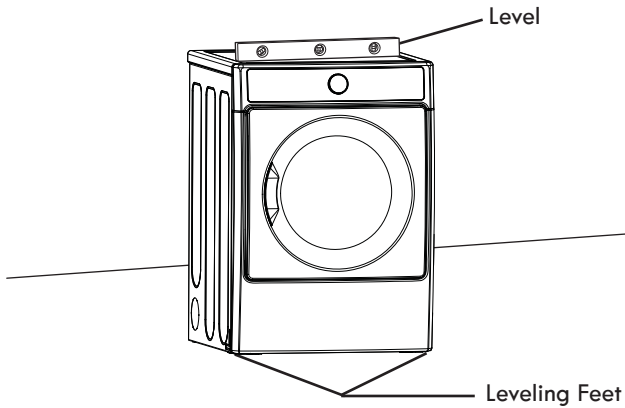
LEVELING THE DRYER

⚠ WARNING:

- Wear gloves during installation.
- Failure to follow these instructions can result in injury.

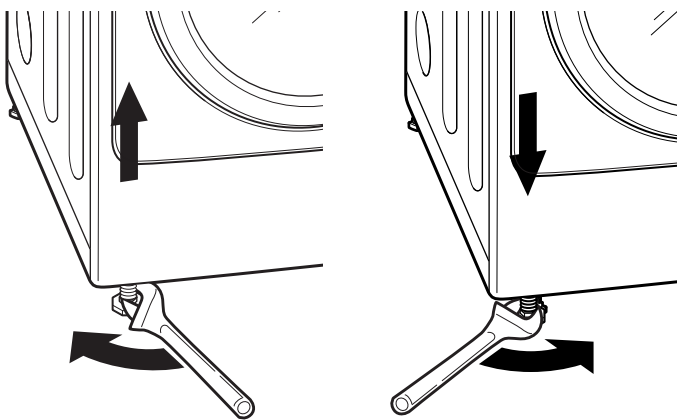
To ensure that the dryer provides optimal drying performance, it must be level. To minimize vibration, noise, and unwanted movement, the floor must be a level, solid surface.

NOTE: Adjust the leveling feet only as far as necessary to level the dryer. Extending the leveling feet more than necessary can cause the dryer to vibrate.



- 1 Position the dryer in the final location. Place a level across the top of the dryer.

All four leveling feet must rest solidly on the floor. Gently push on the top corners of the dryer to make sure that the dryer does not rock from corner to corner.



- 2 Use a wrench to turn the leveling feet. Turn the leveling foot clockwise to raise the dryer; turn the foot counterclockwise to lower the dryer. Using a level, adjust the feet until the dryer is level from side to side and front to back. Make sure all four feet are in firm contact with the floor.

NOTE: If you are installing the dryer on the optional pedestal, the dryer leveling feet should be fully retracted. Use the leveling feet on the pedestal to level the dryer.

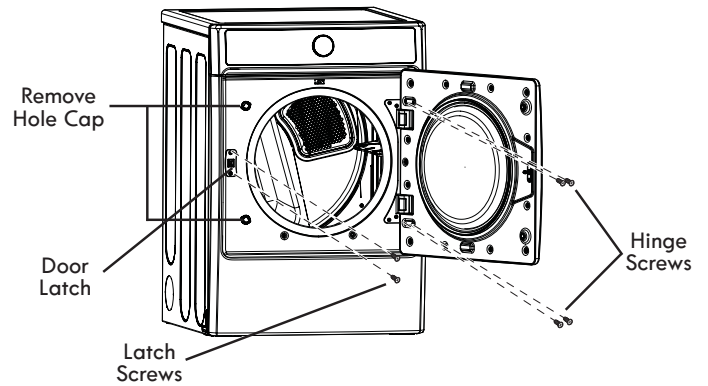
REVERSING THE DOOR SWING

The swing of the dryer door can be reversed to fit your installation location.

⚠ WARNING:

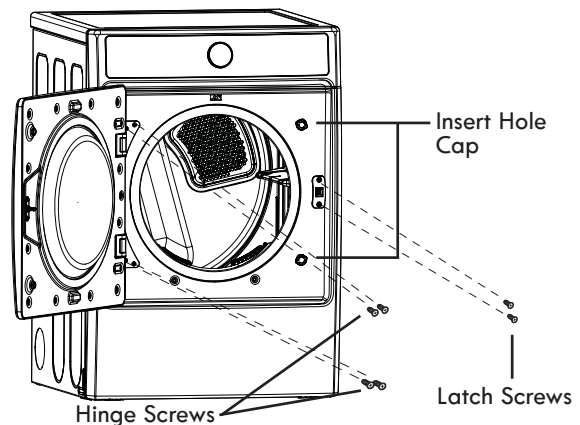
THE DRYER DOOR IS VERY LARGE AND HEAVY.

- Failure to follow the instructions below can result in damage to the dryer, property damage or personal injury.
- To avoid damage to the dryer or the door, support the door with a stool or box that fits under the door, or have an assistant support the weight of the door.
 - Always reverse the door BEFORE stacking the dryer on top of the washer
 - Avoid dropping the door to avoid damage to the door or the floor.



- 1 Open the dryer door.
- 2 Using a Phillips screwdriver, remove the two latch screws and the latch.
- 3 Remove the two hole caps, one each above and below the latch by rotating them slightly clockwise.
- 4 While supporting the weight of the door, remove the four hinge screws.
- 5 Carefully turn the door upside down and reinstall it on the opposite side using the screws removed in step 4.

⚠ CAUTION: Be sure to support the weight of the door before removing the hinge screws.



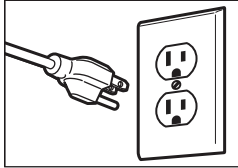
- 6 Install the door latch in the opening on the side from which the door was removed using the screws from step 2.
- 7 Install the hole caps removed in step 3 in the holes above and below the latch where the door was originally mounted.
- 8 Test the door for proper operation and make sure it latches properly.

INSTALLATION INSTRUCTIONS

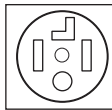
FINAL INSTALLATION CHECK

Once you have completed the installation of the dryer and it is in its final location, confirm proper operation with the following steps and tests.

- 1 Is gas turned on? (Gas models only)
- 2 Is dryer plugged in? Dryer should always be plugged into the proper outlet.

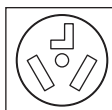


Gas dryer should use a 120-VAC, 60-Hz. grounded 3-prong outlet.



Electric dryer should use a 4-wire connection which is required for all mobile and manufactured home installations, as well as all new construction after January 1, 1996.

-- OR --



A 3-wire connection. **NOTE:** A 3-wire connection is NOT permitted on new construction after January 1, 1996.

- 3 Is the dryer transition duct from dryer to wall connected? Make sure the transition duct behind the dryer is properly connected and is not crushed or damaged.
- 4 Is dryer level? Once the dryer is in its final location, recheck the dryer to be sure it is level. Make sure it is level front to back and side to side, and that all four leveling feet rest firmly on the floor.
- 5 Is the dryer heating normally? Perform the following dryer heating test.

Testing Dryer Heating

- 1 Close the dryer door.
- 2 Press the POWER button to turn the dryer on.
- 3 Turn the cycle selector knob to Normal drying cycle.
- 4 Press the START/PAUSE to start the dryer. After three minutes, open the dryer door and check that the air inside is warm.

NOTE: If the air inside the dryer is not warm after three minutes, there may be air in the gas supply line to the dryer, and the gas igniter may turn off before the main burner ignites. When this happens, the igniter will continue to attempt main burner ignition until all air is purged from the line. Once ignition occurs, the air inside the dryer will become warm.

GAS MODELS

Close the dryer door, press the POWER button to turn the dryer on, and start the dryer on a heat setting. When the dryer starts, the igniter should ignite the main burner.

ELECTRIC MODELS

Close the dryer door, press the POWER button to turn the dryer on, and start the dryer on a heat setting. The exhaust air should be warm after the dryer has been operating for 3 minutes.

Checking Airflow

Effective dryer operation requires proper airflow. The adequacy of the airflow can be measured by evaluating the static pressure. Static pressure in the exhaust duct can be measured with a manometer, placed on the exhaust duct approximately 2 ft. (60.9 cm) from the dryer. Static pressure in the exhaust duct should not exceed 0.6 inches (1.5 cm). The dryer should be checked while the dryer is running with no load.

Checking Levelness

Once the dryer is in its final location, recheck the dryer to be sure it is level. Make sure it is level front to back and side to side, and that all four leveling feet are firmly on the floor.

Checking Venting

Vent ductwork should be checked for lint buildup and cleaned at least once per year. If any noticeable reduction in drying performance occurs, check duct for obstructions and blockages.

INSTALLATION TEST (DUCT CHECK)

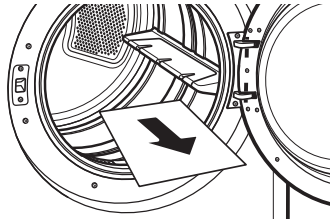
Once you have completed the installation of the dryer, use this test to make sure the condition of the exhaust system is adequate for proper operation of the dryer. This test should be performed to alert you to any serious problems in the exhaust system of your home.

The dryer features Check Vent, an innovative sensing system that automatically detects blockages and restrictions in dryer ductwork. Keeping ductwork clean of lint buildup and free of restrictions allows clothes to dry faster and reduces energy use.

NOTE: The dryer should be cool before starting this test. If the dryer was warmed up during installation, run the Air Dry cycle for a few minutes to reduce the interior temperature.

To activate the installation test:

- 1 Remove the literature and any other items from inside the dryer, then close the dryer door.**
Do not load anything in the drum for this test, as it may affect the accuracy of the results.



- 2 Press the Power button, then immediately press and hold both the Temp and Chime buttons until `1n5` appears in the display.**



- 3 Press the START/PAUSE button.**
The dryer will start the test, which lasts about 2 minutes. The heat is turned on and the temperatures in the drum are measured.



- 4 Check the display for results.**
During the test cycle, monitor the CHECK VENT LED on the control panel. If the LED does not blink by the time the cycle ends, the exhaust system is adequate. If the exhaust system is severely restricted, the CHECK VENT LED blinks. Have the exhaust system checked immediately, as dryer performance will be poor.



Not blinking:
OK



Blinking:
RESTRICTED

Other problems may also be shown with error codes. Refer to the table below for error code details and solutions.

- 5 End of cycle.**
At the end of the test cycle, `End` appears in the display. The test cycle ends and the dryer shuts off automatically after a short delay.



Check any error codes in the chart below before calling for service.

Error Code	Possible Causes	Solutions
tE1 or tE2	Temperature sensor failure	Turn off dryer and call for service.
HS	Humidity sensor failure	Turn off dryer and call for service.
PS or PF or nP	<ul style="list-style-type: none"> Electric dryer power cord is not connected correctly, or house power supply is incorrect. House fuse is blown, circuit breaker has tripped, or power outage has occurred. 	<ul style="list-style-type: none"> Check power supply or connection of power cord to terminal block. Refer to the Connecting Electric Dryers section of this guide for complete instructions. Reset circuit breaker or replace fuse. Do not increase fuse capacity. If problem is a circuit overload, have it corrected by a qualified electrician.

INSTALLATION INSTRUCTIONS

Check the duct condition.

If the CHECK VENT LED is blinking, check the exhaust system for restrictions and damage. Repair or replace the exhaust system as needed.

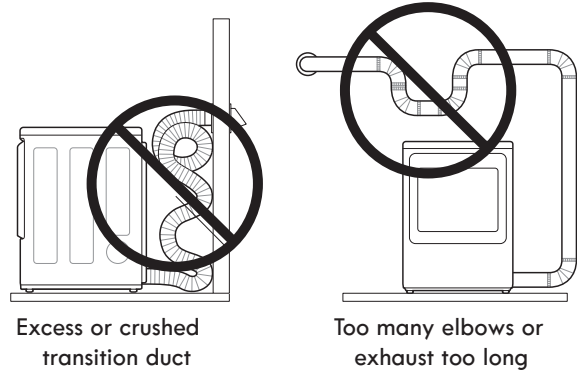
NOTE: When the dryer is first installed, this test should be performed to alert you to any existing problems with the exhaust ducts in your home. However, since the test performed during normal operation provides more accurate information on the condition of the exhaust duct than does the installation test, the results of the two tests may not be the same.

Do not interrupt the test cycle, as this could result in inaccurate results.

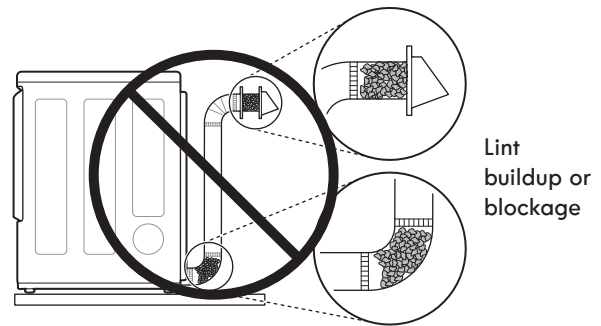
Even if the LED is not blinking during the test cycle, some restrictions may still be present in the exhaust system. Refer to the Venting the Dryer section of this guide for complete exhaust system and venting requirements.

RESTRICTED OR BLOCKED AIRFLOW

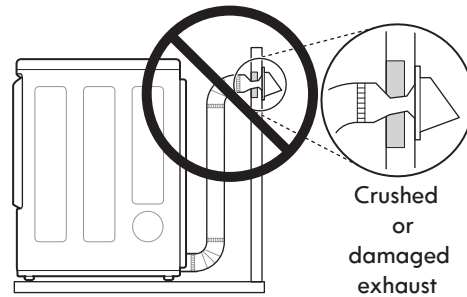
Avoid long runs or runs with multiple elbows or bends.



Check for blockages and lint buildup.



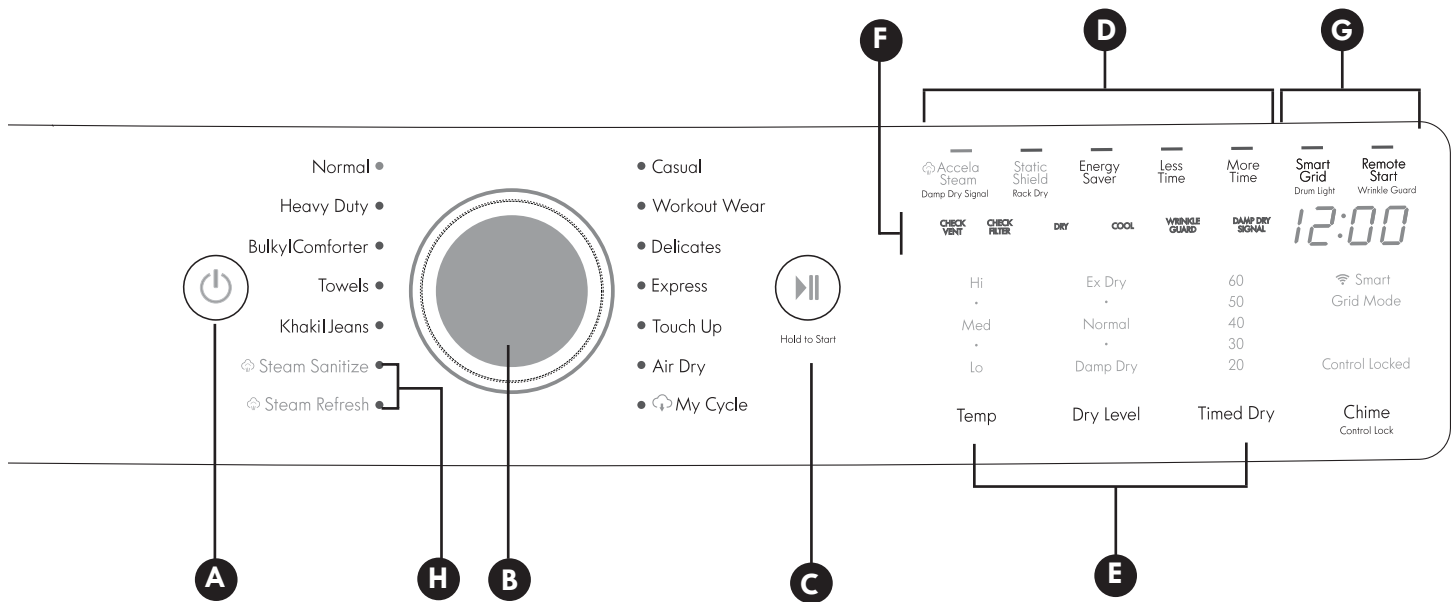
Make sure the ductwork is not crushed or restricted.



HOW TO USE

! WARNING: To reduce the risk of fire, electric shock, or injury to persons, read this entire manual, including the Important Safety Instructions, before operating this dryer.

CONTROL PANEL FEATURES



A POWER (ON/OFF) BUTTON

Press to turn the dryer ON or OFF. Pressing the POWER button during a cycle will cancel that cycle and any settings will be lost.

B CYCLE SELECTOR KNOB

The cycle selector knob is used to select the desired dry cycle by rotating the knob in either direction until the desired cycle LED is illuminated. Once the desired cycle has been selected, the standard presets for that cycle will show in the display. These settings can be adjusted using the cycle modifier or option buttons any time before starting the cycle.

C START/PAUSE BUTTON

Press this button to start the selected cycle. The dryer will display the estimated time (AUTO DRY) or set time (TIMED DRY) remaining and start tumbling. To pause the cycle at any time, open the dryer door or press START/PAUSE. To resume the cycle where it was stopped, press START/PAUSE again.

NOTE: If the dryer has been stopped for more than 60 minutes, the dryer will turn off automatically.

D OPTION BUTTONS

These buttons allow you to select cycle options. Some of the option buttons have secondary functions. The controls can be locked or unlocked by pressing and holding the CHIME button for three seconds.

E CYCLE MODIFIER BUTTONS

Use these buttons to adjust the settings for the selected cycle. The settings light up above the buttons to show the current selection. The default temperature setting cannot be changed in AUTO DRY cycles. AUTO DRY cycles are modified using the DRY LEVEL button.

F TIME AND STATUS DISPLAY

The display shows the estimated time remaining for auto cycles and actual time for timed cycles. The status of the cycle is also displayed. The CHECK VENT indicator will illuminate if there is a serious restriction in the exhaust system.

G SMART FUNCTIONS

Lower energy costs by avoiding peak usage times using Smart Grid. Control the dryer remotely from a smart phone using Remote Start. See page 30 in this guide and the Quick Start Guide shipped with your dryer for more information.

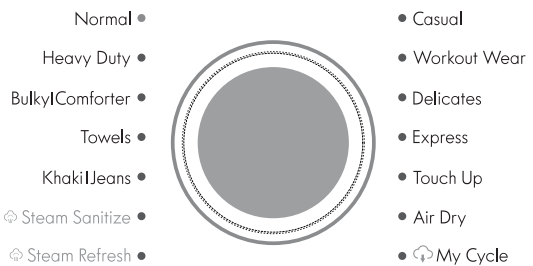
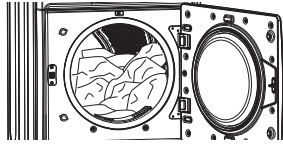
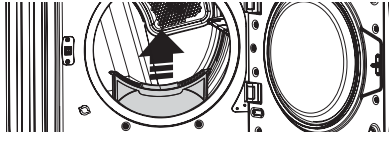
H STEAM FUNCTIONS

The STEAM REFRESH cycle uses a swirling jet of steam to refresh clothes. The STATIC SHIELD option is also available for most cycles.

NOTE: To protect your fabrics, not all settings are allowed in all cycles.

HOW TO USE

OPERATING THE DRYER



Hold to Start



1 CLEAN THE LINT FILTER

If the lint filter has not already been cleaned, lift out the filter and remove the lint from the last load. This will help ensure the fastest and most efficient drying performance.

2 LOAD THE DRYER

Load the dryer with the wet laundry from the washer. If the load is extra large, you may need to divide it into smaller loads for proper performance and fabric care.

3 TURN ON THE DRYER

Press the POWER button to turn ON the dryer. The cycle LEDs will illuminate and a chime will sound.

4 SELECT A CYCLE

Turn the cycle selector knob in either direction until the LED for the desired cycle is illuminated. The preset temperature, dry level, and option settings for that cycle will display.

5 SELECT CYCLE MODIFIERS

Default settings for the selected cycle can now be changed, if desired, using the Temp and Dry Level buttons.

NOTE: Not all options or modifiers are available on all cycles. Temperature can only be adjusted on Timed Dry cycles; Dry Level is only available on Auto Dry cycles. A different chime will sound and the LED will not illuminate if the selection is not allowed.

6 SELECT CYCLE OPTIONS

Cycle options can be added using the option buttons (Accela Steam, Damp Dry Signal, Static Shield, Rack Dry, Energy Saver, Less Time, More Time, Smart Grid, Drum Light, and Wrinkle Guard).

NOTE: Not all options or modifiers are available on all cycles. A different chime will sound and the LED will not come on if the selection is not allowed.

7 BEGIN CYCLE

Press the START/PAUSE button to begin the cycle. The cycle can be paused at any time by opening the door or by pressing the START/PAUSE button. If the cycle is not restarted within 60 minutes of being paused, the dryer will shut off and the settings will be lost.

8 END OF CYCLE

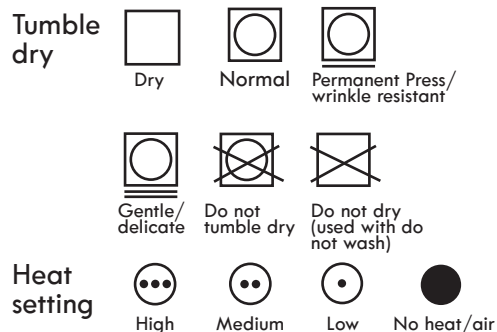
When the cycle is finished, the chime will sound. Immediately remove your clothing from the dryer to reduce wrinkling. If WRINKLE GUARD is selected, the dryer will tumble briefly every few minutes to help prevent wrinkles from setting in the clothes.

! WARNING: To reduce the risk of fire, electric shock, or injury to persons, read this entire manual, including the Important Safety Instructions, before operating this dryer.

SORTING LOADS

Fabric Care Labels

Most articles of clothing feature fabric care labels that include instructions for proper care.



Group Similar Items

For best results, sort clothes into loads that can be dried with the same drying cycle.

Different fabrics have different care requirements, and some fabrics will dry more quickly than others. For best fabric care results, always dry fabrics with similar care requirements together.

LOADING THE DRYER

! WARNING: To reduce the risk of fire, electric shock, or injury to persons when using this appliance, follow basic precautions, including the following:

- Check all pockets to make sure that they are empty. Items such as clips, pens, coins, and keys can damage both your dryer and your clothes. Flammable objects such as lighters or matches could ignite, causing a fire. Failure to do so can result in fire, explosion, or death.
- Never dry clothes that have been exposed to oil, gasoline, or other flammable substances. Washing clothes will not completely remove oil residues. Failure to obey this warning can result in fire, explosion, or death.

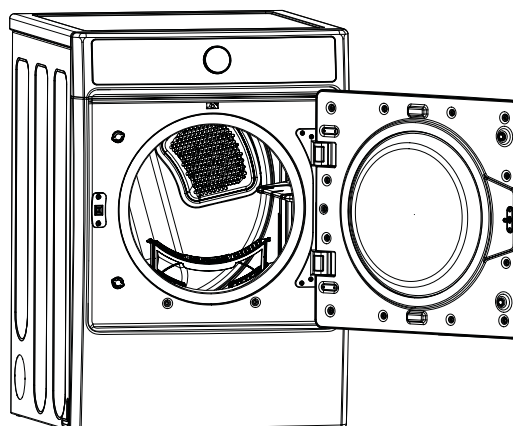
Loading Tips

- Combine large and small items in the same load.
- Damp clothes will expand as they dry. Do not overload the dryer; clothes require room to tumble and dry properly.
- Close zippers, hooks, and drawstrings to prevent these items from snagging or tangling on other clothes.

CHECK THE LINT FILTER BEFORE EVERY LOAD

Every time the dryer is turned on, the CHECK FILTER light turns on as a reminder to make sure the filter is clean. Always make sure the lint filter is clean before starting a new load; a clogged lint filter will increase drying times. To clean, pull the lint filter straight up and roll any lint off the filter with your fingers. Do not rinse or wash the filter to remove lint. Push the lint filter firmly back into place.

Always ensure the lint filter is properly installed before running the dryer. Running the dryer with a loose or missing lint filter may damage the dryer and articles in the dryer.



HOW TO USE

CYCLE GUIDE

The cycle guide below shows the available options and recommended fabric types for Auto Dry cycles.

***NOTE:** The default time and actual time will vary depending on the size of the load and moisture content.

Auto Dry Cycles

Auto Dry cycles utilize a sensor that detects moisture levels in the clothes and adjusts the drying time as needed to ensure superior results. The dryer automatically sets the dry level and temperature at the recommended setting for each cycle. The estimated time remaining will be shown in the display.

● = available option
 ■ = default setting

Type	Cycle	Fabric Typ	Modifiers			Options				
			Temperature	Dry Level	More Time/Less Time	Wrinkle Guard	Damp Dry Signal	Static Shield	Accela Steam	Energy Saver
AUTO DRY	Normal	Work clothes, etc.	Medium	Normal		●	●	●	●	●
				Adjustable						
	Heavy Duty	Jeans, heavyweight items	High	Normal		●	●	●	●	
				Adjustable						
	Bulky/ Comforter	Comforter, pillows, shirts	Medium	Normal				●		
				Adjustable						
	Towels	Denims, towels, heavy cottons	Med. High	Normal		●	●	●		
				Adjustable						
	Khaki/Jeans	Jeans, color fading material	Medium	Auto		●		●		
	Steam Sanitize	Comforter, bedding, children's clothing, etc.	High	Auto		●			■	
Steam Refresh	Comforter, shirts, trousers 1-5 garments (DO NOT use for delicate fabrics)	Med. High	Auto	Garment Count	●			■		
			Adjustable							
Casual	Permanent press, synthetic items	Med. Low	Normal		●	●	●	●		
			Adjustable							
Workout Wear	Workout wear	Auto	Auto		●		●			
Delicates	Lingerie, sheets, blouses	Med. Low	Normal		●	●	●			
			Adjustable							
Small Load (Default for My Cycle)	Only normal & cotton/ towel fabric type (Max 3 lb)	High	Normal		●					
			Adjustable							

NOTE: To protect your garments, not every dry level, or option is available with every cycle. Temperature settings cannot be changed. A different chime will sound and the LED will not illuminate or the selection will not change if the selection is not allowed.

NSF CERTIFIED BY NSF

NSF International (formerly the National Sanitation Foundation), certifies that the Steam Sanitize cycle reduces 99.9% of bacteria on laundry, and none of the bacteria will carry over onto the next laundry load.

- The default settings for the Steam Sanitize cycle are HIGH temperature and EXTRA DRY. These default settings cannot be changed.
- Do NOT use this cycle with delicate items or fabrics.
- Steam cannot be added to the Steam Sanitize cycle.

CYCLE GUIDE

The cycle guide below shows the available options and recommended fabric types for Timed Dry cycles.

Timed Dry Cycles

Use Timed Dry cycles to select a specific amount of drying time and the drying temperature. When a Timed Dry cycle is selected, the display shows the actual time remaining in your cycle.

You can change the actual time for the cycle by pressing MORE TIME or LESS TIME. Press and hold the MORE TIME or LESS TIME buttons to rapidly change the time.

● = available option
 ■ = default setting

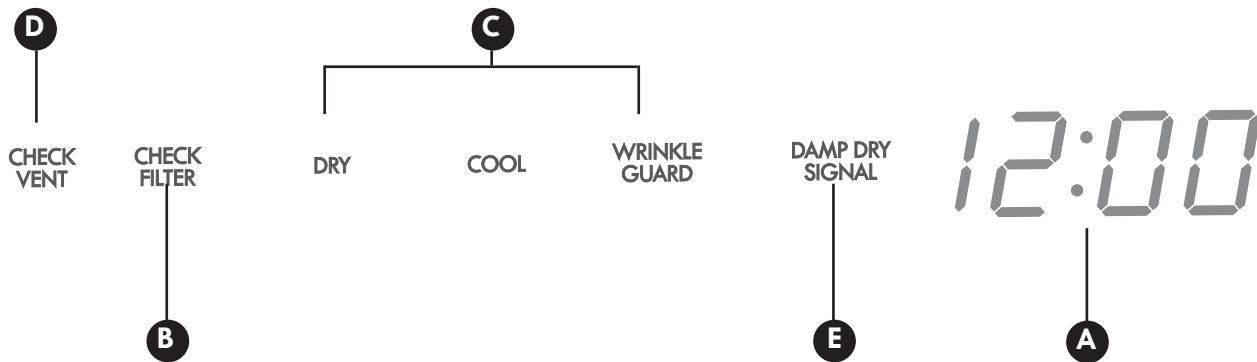
Type	Cycle	Fabric Type	Modifiers			Options				
			Temperature	Dry Level	More Time/Less Time	Wrinkle Guard	Damp Dry Signal	Static Shield	Accela Steam	Energy Saver
TIMED DRY	Express Dry	For small loads with short drying times	High	Off	●	●		●		
			Adjustable							
	Touch Up	For removing light wrinkles	Med. High	Off	●	●		●		
			Adjustable							
	Air Dry	For items that require heat-free drying such as plastics or rubber	No heat	Off	●	●				
	Timed Dry*	For general drying. Time, temperature, and options can be set manually	High	Off	●	●		●		
			Adjustable							
	Rack Dry*	Wool sweaters, silk, lingerie	Off	Off	●					
			Adjustable							

NOTE: To protect your garments, not every temperature or option is available with every cycle. Temperature settings cannot be changed. A different chime will sound and the LED will not illuminate if the selection is not allowed.

* The Timed Dry cycle is accessed by pressing the TIMED DRY button on the control panel. The Rack Dry cycle is accessed by pressing and holding the STATIC SHIELD button for three seconds.

TIME AND STATUS DISPLAY

The Time and Status Display shows the cycle time, cycle progress, and vent status. When the dryer is turned on, the display will illuminate.



A TIME DISPLAY

When a cycle is selected, the display will indicate the default time for that cycle including selected options or adjustments. In AUTO DRY cycles, the time remaining will be estimated and may change during the cycle, depending on the condition of the load. In TIMED DRY, the time displayed will be the actual time remaining.

B CHECK FILTER LIGHT

The CHECK FILTER light turns on before each load, as a reminder to check the lint filter. Always clean the lint filter before every cycle.

C CYCLE STATUS INDICATORS

This portion of the display shows which stage of the drying cycle is currently under way (DRY, COOL, or WRINKLE GUARD).

D CHECK VENT INDICATOR (DUCT BLOCKAGE SENSING SYSTEM)

The CHECK VENT duct blockage sensing system detects and alerts you to blockages in the ductwork that reduce exhaust flow from the dryer. This light does not indicate any problems with your dryer. If this light blinks, it indicates that your home's exhaust system has a serious restriction, which is not covered by your dryer's warranty.

E DAMP DRY SIGNAL

If you select DAMP DRY SIGNAL, the dryer chimes when the clothes are just short of completely dry, in case you want to remove them for ironing or hang drying.

CYCLE MODIFIER BUTTONS

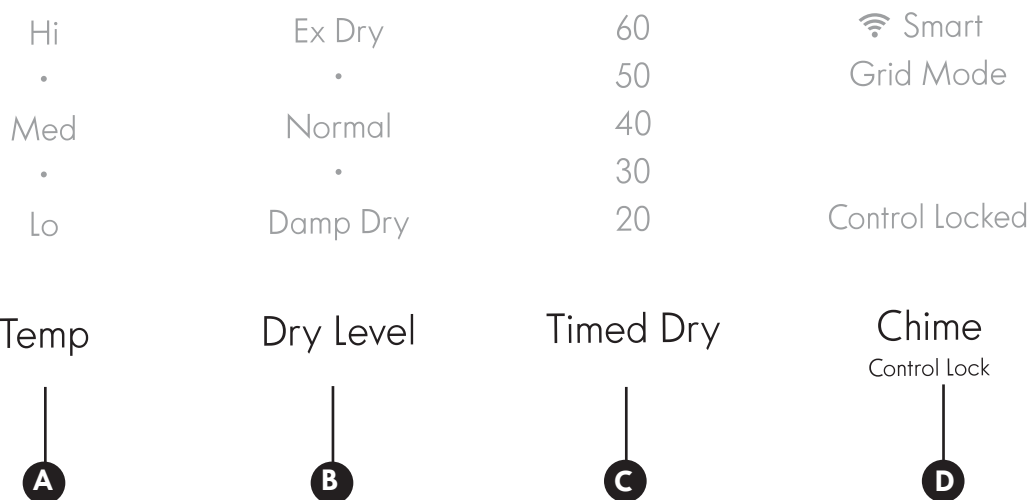
Each cycle has default settings that are selected automatically. You may also customize these settings using the cycle modifier buttons.

AUTO DRY cycles are designed to properly care for specific fabrics and loads. As a result, not all settings are available for each cycle selection.

TIMED DRY cycles have default settings, but you may also customize the temperature setting and add options.

Settings are not limited in most timed dry cycles. Use care when setting options and modifiers for these cycles to prevent damage to your clothing.

NOTE: To protect your garments, not every dry level, temperature, or option is available with every cycle.



A TEMP
Adjusts the temperature setting from LOW to HIGH. This allows precise care of your fabrics and garments. Press the TEMP button repeatedly to scroll through available settings. Temperature setting is not adjustable in AUTO DRY cycles.

B DRY LEVEL
Sets the level of dryness for the selected AUTO DRY cycle. Press the DRY LEVEL button repeatedly to scroll through available settings. Use this button to adjust the dryness of the articles in the load to your preference.

- This option is not available with TIMED DRY cycles.
- The dryer will automatically adjust the cycle time. Selecting EXTRA DRY or MORE DRY will increase the cycle time and dry level, while LESS DRY or DAMP DRY will decrease the cycle time and dry level.
- Use a LESS DRY or DAMP DRY setting for items that you wish to iron or hang for final drying.

C TIMED DRY
Allows you to manually select the drying time in 10-minute increments. Use this cycle for small loads or to remove wrinkles. Use the MORE TIME/LESS TIME buttons to increase or decrease the selected drying time in 1-minute increments. Press and hold the MORE TIME or LESS TIME buttons to rapidly change the time.

D CHIME
Adjusts the volume of the chime or turns off the chime. Press the button repeatedly until the desired volume setting is illuminated.

CYCLE OPTIONS AND SPECIAL FEATURES

Your dryer features several additional cycle options and special features to meet your individual needs. For all steam features, see the following pages.

WRINKLE GUARD

Selecting this option will tumble the clothes after the cycle ends for a few seconds every few minutes without heat. This option is active for 180 minutes after the end of the cycle, or until the door is opened. This helps prevent wrinkles if the clothes are not removed immediately after the cycle has finished.

Press and hold the Remote Start button for three seconds to activate or deactivate WRINKLE GUARD.

CONTROL LOCK

Use this option to disable the controls.

All controls will be disabled except for the POWER button. Once set, the Control Lock must be turned off before the controls can be used. After the dryer has shut off, the POWER button will allow the dryer to be turned on, but the controls will remain locked. When the Control Lock is set, the LED will illuminate and "CL" will display alternately with the cycle time.

Press and hold the CHIME button for three seconds to activate or deactivate the Control Lock.

DAMP DRY SIGNAL

If you activate the Damp Dry Signal, the dryer will emit a chime when the clothes are just short of completely dry, in case you want to remove them for ironing or hang drying. To activate or deactivate the Damp Dry Signal, press and hold the ACCELA STEAM button for three seconds.

DRUM LIGHT

The drum is equipped with a blue LED that illuminates when the dryer is turned on. This light automatically turns off when the door is closed and the cycle starts.

To turn on the light during a cycle, press and hold the SMART GRID button for three seconds. The drum light will illuminate and then turn off automatically after 60 minutes.

MY CYCLE

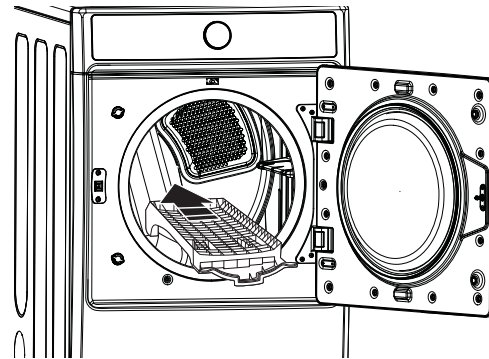
The MY CYCLE feature allows you to download new and specialized cycles that are not included in the standard cycles on the appliance.

After successfully registering the appliance using the Kenmore Smart application, you can download a variety of specialty cycles specific to the appliance.

Only one cycle can be stored in the MY CYCLE slot on the appliance at a time. Once you have downloaded a cycle to the appliance, it is stored until you download a new MY CYCLE. The default My Cycle is Small Load.

NOTE: You must first connect to a Wi-Fi network and register the appliance in order to use the MY CYCLE function.

INSTALLING AND USING THE OPTIONAL DRYING RACK



- 1 With the dryer door open, slide the rack into the dryer drum.
- 2 Make sure the front of the rack is seated properly in the recess on the lint filter housing at the front of the drum. The two rear legs of the rack should be resting on the rear wall just above the drum.
- 3 Place items to be dried on the rack. Make sure that no parts of the items hang over the edges of the rack, as they might be contacted by the rotating drum, causing noise or damage to the drum or the items.

NOTE: Be sure to remove the drying rack after using the RACK DRY cycle.

Using the RACK DRY Cycle

Use Rack Dry with items, such as wool sweaters, silk, and lingerie, that should dry flat. Rack Dry can also be used with items that should not be tumbled dry, such as gym shoes or stuffed animals.

- 1 Press and hold the STATIC SHIELD button for three seconds to access the RACK DRY cycle.
- 2 Press the TEMP button to select from Low or Med. Low temperature options. If no temperature is selected, the cycle defaults to no heat.

STEAM FEATURES

IMPORTANT NOTES ABOUT STEAM FUNCTIONS:

- Steam may not be clearly visible during the steam functions. This is normal.
- Do not use Steam Refresh with items such as wool, wool blankets, leather jackets, silk, wet clothes, lingerie, foam products, or electric blankets.
- For best results, load articles of similar size and fabric type. Do not overload.
- If the dryer exhaust system installed in the home is restricted, the performance of the steam functions will be reduced.
- During steam operation, the clothes will tumble for only a few seconds, once a minute.

! WARNING:

- Do not open the dryer door during Steam Cycles. Steam can cause severe burns.
- Do not touch the steam nozzle in the drum during or after the steam cycle.

Using the STEAM SANITIZE Cycle

The STEAM SANITIZE cycle is ideal for sanitizing non-washable items quickly and easily using only steam. This cycle is recommended for use with cotton and polyester materials only. (DO NOT use for urethane foam, down feathers or delicate items.)

Using the STEAM REFRESH Cycle

The STEAM REFRESH cycle uses the power of steam to quickly reduce wrinkles and odor in fabrics. It brings new life to wrinkled clothes that have been stored for an extended period of time, and it can make heavily wrinkled clothes easier to iron. STEAM REFRESH can also be used to help reduce odors in clothes, such as clothes that were worn in a room where people had been smoking. This cycle can refresh from one to five garments, or one bulky item such as a comforter.

There are four settings available. Use **1** for one garment. Use **3** for up to three garments and **5** for four or five garments. The **b 19** (big) setting should be used for bulky items. Best results are achieved with 70/30 cotton/polyblend fabrics.

- 1 Turn the dryer ON and select the STEAM REFRESH cycle.
- 2 The default number of garments is three. Press the MORE TIME or LESS TIME button to adjust the load size, as described above.
- 3 Press the START/PAUSE button to start the cycle.

Using the STATIC SHIELD Option

This option uses steam late in the drying cycle to reduce the static electricity caused by dry fabrics rubbing together. Change the steam time by pressing the MORE TIME and LESS TIME buttons to display the approximate number of articles in the load: 7, 9, 11, 14, 16 or 18.

NOTE: When STATIC SHIELD is added to auto dry cycles, the LESS and DAMP dry level cannot be selected.

ACCELA STEAM

The ACCELA STEAM technology creates more steam in less time than conventional steam technology. ACCELA STEAM helps reduce the shrinkage and wrinkles resulting from the overdrying of clothes by injecting steam during the drying process. This feature is used by default in the steam cycles, but it can also be added to the standard Normal, Casual and Heavy Duty cycles.

Adding Steam to a Standard Cycle

- 1 Turn on the dryer and turn the cycle selector knob to select the Normal, Casual or Heavy Duty cycle.
- 2 Use the cycle modifier buttons to adjust the settings for that cycle.
- 3 Press the ACCELA STEAM button.
- 4 Press START/PAUSE to start the cycle.

HOW TO USE

STEAM CYCLE GUIDE

Cycle	Steam	Temp. Control	Dry Level	Fabric State	Fabric Type	Maximum Amount
Steam Sanitize				dry	comforter, bedding	single (1 each)
					children's clothing	3 lb
Steam Refresh		●		dry	comforter	single (1 each)
					shirts*	5 each
Auto Dry Cycle + Steam Option	+ Static Shield		●	wet	varies by selected cycle	8 lb (18 items)
	+ Accela Steam		●	wet	varies by selected cycle	8 lb (18 items)
Timed Dry	+ Static Shield	●		wet	varies by selected cycle	8 lb (18 items)

* Shirt: 70% cotton / 30% poly blend. Except especially delicate fabrics.

- When the lint filter or exhaust duct is clogged, steam options will not give proper results.
- For best results, load articles of similar size and fabric type. Do not overload.

NOTE:

- When an Auto Dry cycle is selected with the STATIC SHIELD or ACCELA STEAM option, a dry level of Less or Damp cannot be selected.
- The STATIC SHIELD option may also be selected during Timed Dry cycles.
- After the steam option is selected in Timed Dry, the MORE TIME or LESS TIME buttons will change the steam time only.
- After pressing Start/Pause, the MORE TIME or LESS TIME buttons will be disabled.

SMART FEATURES

GETTING CONNECTED

You need the following devices and applications to use the Smart Grid and other smart features on your dryer.

Required Devices: A wireless router, Kenmore Elite Smart Dryer, and a mobile device.

Required Application: Kenmore Smart App.

IMPORTANT: You must download the Kenmore Smart app to your mobile device, connect your Kenmore Smart appliance to the internet, and register the appliance to your account in order to use the Smart Grid function.

Connecting the Dryer to the Internet

Refer to the Quick Start Guide that came with your smart appliance for detailed instructions on creating a Kenmore account and setting up the appliance for connected operation from your smart phone. For additional assistance, visit <http://www.kenmore.com/smart>.

SMART GRID

Lower your energy costs to wash and dry your clothes by avoiding peak usage periods, with information supplied by your local electric utility company.

This feature responds to notification events from your utility company to run high energy-consuming tasks during off-peak periods when demand is lower. These notification events are known as Demand Response signals.

NOTE: When Smart Grid is enabled, you may experience delays or extended cycle times during peak usage periods. To do laundry during peak usage periods without any delays, refer to the information below to cancel the Smart Grid function.

Using Smart Grid:

- 1 Smart Grid is initially enabled. Press the SMART GRID button once to disable the function. Once Smart Grid is set, the settings will be maintained even when the appliance is turned off.

- 2 Press the SMART GRID button before the cycle starts, to cancel the function completely. The Smart Grid LED (blue) will turn off.
- 3 Press the SMART GRID button during the cycle, to cancel the function for that cycle only. The Grid Mode LED (red) will turn off and Smart Grid will be canceled for the cycle in process. Smart Grid will resume for the next cycle.

REMOTE START

Use a smart phone to control your appliance remotely.

NOTE: For better performance and to protect your clothes, this function can only be used with certain cycles and options. You must first close the door and connect to a gateway to use this function. The assurelink LED should be illuminated.

To use Remote Start:

- 1 Select a cycle and options.
- 2 Press the REMOTE START button. The Remote Start LED will turn on.
- 3 Start the dryer from the application on your smart phone. (For more information, see the booklet shipped with your dryer.) If you do not start the dryer remotely, the dryer will wait to start the cycle until the START button is pressed.

MY CYCLE

Use the My Cycle feature in the Kenmore Smart app to select and download an additional cycle to your dryer. The default My Cycle on the dryer is **SMALL LOAD**.

Cycle	Fabric or Load Type	Temperature	Dry Level	Wrinkle Guard	Static Shield
Small Load (default)	Only normal & cotton/towel fabric type (Max 3 lb)	High	Normal	●	
Super Dry	To thoroughly dry cotton clothes	High	Ex Dry	●	
Denim	Jeans	Medium	NA	●	●
Kids' Clothes	High temperature to sanitize kids' clothes	High	Normal	●	
Ultra Delicate	Low heat to gently dry delicate items	Low	Normal	●	●
Freshen Up	Helps reduce odors and remove light wrinkles	Med. High	NA	●	●
Gym Clothes	Gym clothes, cotton sportswear	NA	NA	●	●
Blankets	Completely dries bulky blankets	Medium	Ex Dry	●	
Blanket Refresh	20 minute timed dry cycle to warm up blankets	Low	NA	●	●
Rainy Day	Dries off clothes made damp by rain or snow	High	Normal	●	
Lingerie	Lingerie	Low	Normal	●	
Socks	35 minute timed dry cycle to dry 20 pairs of socks	High	NA	●	●
Overnight Dry	Energy efficient cycle to dry a small load overnight	High	Normal	●	
Bedding/Curtains	Bedding, curtains	Medium	Ex Dry		●
Kids' Gym Clothes	Children's cotton sportswear	NA	NA	●	●
Deodorization	Reduces odors in clothes that do not require washing	Med. High	NA	●	

FCC NOTICE

(for transmitter module contained in this product)

This equipment has been tested and found to comply with the limits for a Class B digital device, pursuant to Part 15 of the FCC Rules. These limits are designed to provide reasonable protection against harmful interference in a residential installation. This equipment generates, uses, and can radiate radio frequency energy and, if not installed and used in accordance with the instructions, may cause harmful interference to radio communications. However, there is no guarantee that interference will not occur in a particular installation. If this equipment does cause harmful interference to radio or television reception, which can be determined by turning the equipment off and on, the user is encouraged to try to correct the interference by one or more of the following measures:

- Reorient or relocate the receiving antenna.
- Increase the separation between the equipment and receiver.
- Connect the equipment to an outlet on a circuit different from that to which the receiver is connected.
- Consult the dealer or an experienced radio/TV technician for help.

This device complies with part 15 of the FCC rules. Operation is subject to the following two conditions:

- (1) this device may not cause harmful interference, and
- (2) this device must accept any interference received, including interference that may cause undesired operation of the device.

Any changes or modifications in construction of this device which are not expressly approved by the party responsible for compliance could void the user's authority to operate the equipment.

FCC RF Radiation Exposure Statement

This equipment complies with FCC radiation exposure limits set forth for an uncontrolled environment. This transmitter must not be co-located or operating in conjunction with any other antenna or transmitter.

This equipment should be installed and operated with a minimum distance of 20 cm (7.8 inches) between the antenna and your body. Users must follow the specific operating instructions for satisfying RF exposure compliance.

WIRELESS MODULE SPECIFICATIONS

Model	2AHU4-KMTD17
Frequency Range	2412–2462 MHz
Maximum Output Power	IEEE 802.11b: 18.26 dBm IEEE 802.11g: 20.10 dBm IEEE 802.11n: 20.07 dBm

OPEN SOURCE SOFTWARE NOTICE

To obtain the source code that is contained in this product under LGPL and other open source licenses, visit <http://kenmore.com/opensource>. In addition to the source code, all referred license terms, warranty disclaimers, and copyright notices are available for download.

⚠ WARNING: To reduce the risk of fire, electric shock, or injury to persons, read this entire manual, including the Important Safety Instructions, before operating this dryer.

- **Unplug the dryer or turn the power off before cleaning to avoid the risk of electric shock.** Failure to follow this warning can cause serious injury, fire, electrical shock, or death.
- **Never use harsh chemicals, abrasive cleaners, or solvents to clean the dryer.** They will damage the finish.

REGULAR CLEANING

Cleaning the Exterior

Proper care of your dryer can extend its life. The outside of the machine can be cleaned with warm water and a mild, nonabrasive household detergent. Immediately wipe off any spills with a soft, damp cloth.

IMPORTANT: Do not use cleaning alcohols, solvents, or similar products.

NEVER use steel wool or abrasive cleansers because they can damage the surface.

Cleaning the Interior

Wipe around the door opening and seal with a soft, damp cloth to prevent lint and dust buildup that could damage the door seal.

Clean the window with a soft cloth dampened with warm water and a mild, nonabrasive household detergent, then wipe dry.

NEVER use steel wool or abrasive cleansers; they can scratch or damage the surface.

Cleaning Around and Under the Dryer

Vacuum lint and dust from around the dryer and underneath it regularly.

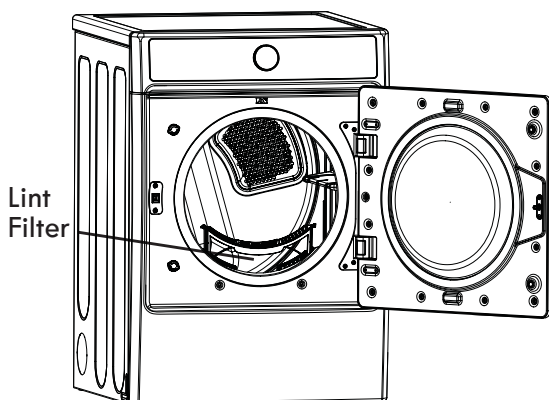
Cleaning the Lint Filter

ALWAYS make sure the lint filter is clean before every cycle. The Check Filter light on the control panel will blink before every cycle to remind you.

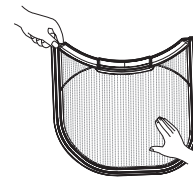
NOTE: NEVER operate the dryer without the lint filter.

To remove lint between cycles:

- 1 Open the dryer door.
- 2 Pull the lint filter straight up.



- 3 Roll any lint off the filter with your fingers.

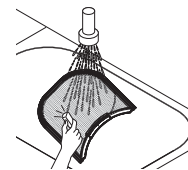


- 4 Insert the lint filter back into the dryer.

Periodic thorough cleaning:

Some fabric softeners can build up on the lint filter over time. This buildup can restrict the airflow through the filter reducing dryer efficiency and lengthening drying times. After removing lint, if the filter looks dark or dirty when held up to the light, follow these steps to clean:

- 1 Use hot soapy water and a stiff brush to clean the filter.



- 2 Make sure that the filter is completely dry before reinstalling it and using the dryer.

NOTE: NEVER operate the dryer with a wet lint filter.

Maintaining Ductwork

Vent ductwork should be checked for lint buildup once per month and cleaned at least once per year. If any noticeable reduction in airflow or drying performance occurs, immediately check the ductwork for obstruction and blockages. Contact a qualified technician or service provider.

MAINTAINING THE EXHAUST SYSTEM

The most common cause of dryer problems is poor exhaust venting. Poor exhaust venting may result from the following conditions:

- DIRTY OR DAMAGED EXHAUST DUCTS
- WRONG VENT MATERIAL
- RESTRICTED OR DAMAGED VENT HOOD
- EXCESSIVELY LONG VENT
- THE USE OF PLASTIC OR FOIL VENTING

Maintaining the Exhaust System

Vent ducts should be checked for lint buildup and cleaned at least once per year. If any noticeable reduction in drying performance occurs, check the ducts for obstructions and blockages.

If the CHECK VENT indicator illuminates, the exhaust system should be checked immediately for damage or obstructions. The CHECK VENT indicator signals a serious reduction in exhaust airflow which will greatly reduce energy efficiency and increase drying times. Damaged or restricted exhaust systems are not covered by the dryer warranty. Damage to the dryer that is caused by damaged, restricted, or otherwise inadequate exhaust systems is not covered by the dryer warranty.

CHECK VENT Indicator

The CHECK VENT warning system is designed to help you avoid the reduced performance caused by restrictions in the household exhaust system. The CHECK VENT indicator illuminates to alert you when problems in the system occur, so you can have them repaired.

While you should always check and maintain your exhaust system regularly, the CHECK VENT warning system will detect and alert you if serious problems develop in your home's exhaust system. This includes exhaust systems that are unsatisfactory for any reason including a blockage in the venting, crushed/kinked venting, or venting which exceeds the maximum recommended length requirement as described in the installation section.

NOTE: The total length includes the length from the back of the dryer to the outside vent hood, PLUS a factor for every 90° elbow in the exhaust system. For example, if the distance from the back of the dryer to the vent hood is 30 feet, and there are four elbows in the system, then it exceeds the 28-foot maximum length allowed for those conditions as specified in the Duct Length Chart.

The CHECK VENT indicator on the control panel will alert you that the exhaust system is not moving enough air from the dryer to the outside. This lack of airflow will lead to long dry times, poor drying and possibly dryer failure.

As a reminder, external dryer venting is considered part of your home and is not covered by the product warranty or protection agreements. There are services available for cleaning/maintaining the external venting.

CHECK VENT Operation

The CHECK VENT system uses components already in the dryer. By monitoring these components over the course of several cycles, the control is able to determine how much restriction there is in the exhaust system. If it detects a high level of restriction, it will turn on the CHECK VENT light to alert you to the condition. The dryer will continue to operate after the light comes on, but you should have the exhaust system cleaned or repaired immediately to avoid longer dry times and higher energy consumption.

IMPORTANT: In order for a dryer to properly and efficiently dry your clothes, it is extremely important that the exhaust system is as short and clean as possible. It **MUST** be less than the maximum length specifications as outlined in the installation section. It is also very important that you make sure that when the dryer is installed, the exhaust system is clean and clear of any restrictions and is not kinked or crushed.

Failure to meet these guidelines will result in long dry times, increased energy consumption and possibly even clothing damage or dryer failure. When exhaust system restrictions become extreme, the CHECK VENT light will blink to alert you to the condition so you can have the exhaust system cleaned or repaired.

- 1 To prevent false alarms and for increased reliability, the dryer will monitor the exhaust condition for several loads. If multiple, consecutive cycles exceed the restriction limits, the control will blink the CHECK VENT indicator.
- 2 A blinking CHECK VENT indicator means the external venting should be checked for potential restrictions as soon as possible.
- 3 The CHECK VENT indicator will remain active (blinking) until the restriction is resolved AND the control has verified the improved airflow for several cycles.
- 4 After the exhaust is cleaned or repaired, it will take several cycles for the CHECK VENT indicator to reset and turn off the light.

NOTE: The CHECK VENT indicator is designed to measure performance over several consecutive cycles before activating or deactivating, to avoid false alarms. A very large load, such as a large comforter, could cause the CHECK VENT system to sense that the exhaust system is restricted, but this would not cause the light to blink. However, if several large loads were to run back to back, the CHECK VENT indicator could be activated.

DIAGNOSTICS

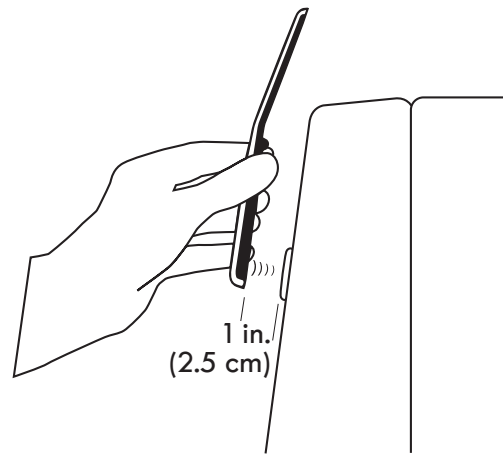
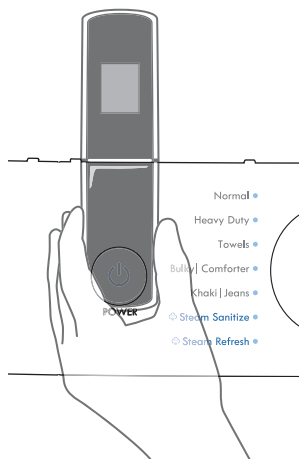
Should you experience any problems with your dryer, it has the capability of transmitting data via your telephone to the Diagnostics Team. This gives you the capability of speaking directly to our specially trained technicians. The technician records the data transmitted from your machine and uses it to analyze the issue, providing a fast and effective diagnosis.

If you experience problems with your dryer, call 1-844-553-6667. Only use the Diagnostics feature when instructed to do so by the Diagnostics Team. The transmission sounds that you will hear are normal and sound similar to a fax machine.

Diagnostics cannot be activated unless your dryer is turned on by pressing the POWER button. If your dryer is unable to turn on, then troubleshooting must be done without using Diagnostics.

Using Diagnostics

First, call 1-844-553-6667. If the number of the phone you are using is on file and is associated with your dryer, you will be quickly relayed to a Diagnostics Team agent. Follow the technician's instructions and perform the following steps only when requested to by the Diagnostics Team agent.



HOLD the mouthpiece of your phone over the POWER button, when instructed to do so by the call center, no more than 1 in. (2.5 cm) from (but not touching) the machine.

NOTE: Do not press any other buttons or turn the cycle selector knob.



PUSH and hold the TEMP button while continuing to hold your phone to the POWER button.



LISTEN for two beeps. After you hear the two beeps, release the TEMP button. A tone transmission will begin. Keep the phone in place until the tone transmission has finished. The display will count down the time. Once the countdown is over and the tones have stopped, resume your conversation with the technician, who will then be able to assist you in using the information transmitted for analysis.

NOTE:

- For best results, do not move the phone while the tones are being transmitted.
- If the call center agent is not able to get an accurate recording of the data, you may be asked to try again.
- Pressing the POWER button during the transmission will shut off Diagnostics.

Diagnostics is a troubleshooting feature designed to assist, not replace, the traditional method of troubleshooting through service calls. The effectiveness of this feature depends upon various factors, including, but not limited to, the reception of the cellular phone being used for transmission, any external noise that may be present during the transmission, and the acoustics of the room where the machine is located. Accordingly, Sears does not guarantee that Diagnostics will accurately troubleshoot any given issue.

TROUBLESHOOTING GUIDE

FAQs

Q: When I press a button, why does my dryer beep and then nothing happens?

A: The Control Lock feature is turned on. To turn off Control Lock, turn the dryer on, then press and hold the button that has *Control Lock on or under it for 3 seconds.

Q: Why does my dryer take so long to dry clothes?

A: Proper airflow is critical to the efficient operation of clothes dryers. A lint filter which is full of lint or clogged with fabric softener sheet residue can reduce the airflow to the point that the time required to dry clothing will be greatly increased. Another factor affecting dry time is your home exhaust system. An exhaust system which is dirty and clogged with lint, or is excessively long, needs to be professionally cleaned or repaired.

Q: Why does my dryer start by itself every few minutes?

A: This is how the Wrinkle Guard feature works. The dryer runs briefly every few minutes for up to 3 hours after the cycle finishes. This feature is designed to help prevent wrinkles from setting in when the dryer is not unloaded immediately after the cycle is finished.

Q: Why does my dryer show 3 minutes when I select the Steam Refresh cycle?

A: When the Steam Refresh cycle is selected, the dryer displays the number of garments rather than the estimated cycle time, until the cycle is started. Use the MORE TIME or LESS TIME buttons to adjust the load size setting for the number of garments you desire. For a large load or single bulky item use the *bl 9* (big) setting.

BEFORE CALLING FOR SERVICE

Problem	Possible Cause	Solutions
<p>*CHECK VENT indicator is blinking * This warning light is not a dryer failure and is not covered by the dryer warranty. Contact a duct cleaning service to have your exhaust system cleaned and inspected.</p>	<p>Exhaust system is too long or has too many turns/restrictions.</p> <p>Partial blockage of the ductwork due to lint buildup or other foreign object.</p> <p>The appliance has detected a restriction in the external dryer venting.</p>	<p>Install a shorter or straighter duct run. See the Installation Instructions for details.</p> <p>Ductwork should be checked/cleaned immediately. Dryer can be used in this condition, but drying times will be longer and energy consumption will increase.</p> <p>See the CHECK VENT INDICATOR and CHECK VENT OPERATION sections for details regarding this function.</p>
<p>The display shows d80, d90, or d95</p>	<p>The ductwork is about 80%-95% blocked. These error codes are only displayed for 2 hours.</p>	<p>Do not use the dryer until the exhaust system has been cleaned and/or repaired. Using the dryer with a severely restricted exhaust is dangerous and could result in a fire or other property damage.</p> <p>Check the outside dryer vent while the dryer is operating to make sure there is strong airflow.</p> <p>If the exhaust system is extremely long, have it repaired or rerouted.</p> <p>Keep the area around the dryer clean and free of clutter.</p> <p>Check vent hood for damage or lint clogging.</p> <p>Make sure the area around the vent hood is clear.</p>
<p>The CHECK VENT indicator remains active (blinking) after clearing the restriction in the venting.</p>	<p>After clearing the restriction, the CHECK VENT system requires multiple, consecutive cycles to determine that the performance value has improved before the CHECK VENT indicator is reset.</p>	<p>If the CHECK VENT indicator remains active for more than five cycles after the restriction has been cleared, call for service.</p>

BEFORE CALLING FOR SERVICE (continued)

Problem	Possible Cause	Solutions
Dryer will not turn on	Power cord is not properly plugged in. House fuse is blown, circuit breaker has tripped, or power outage has occurred.	Make sure that the plug is securely plugged into a grounded outlet matching the dryer's rating plate. Reset circuit breaker or replace fuse. Do not increase fuse capacity. If the problem is a circuit overload, have it corrected by a qualified electrician.
Buttons are disabled or CL shows in display	CONTROL LOCK function is engaged.	Press and hold the CHIME button for three seconds to activate or deactivate the function.
Error code: tE1 through tE7	Temperature sensor failure.	Turn off the dryer and call for service.
Display shows error code PS (electric dryers only)	Power cord is connected incorrectly.	White (N) and red (L2) wires on power cord. Check power cord connections for neutral connection on the center terminal. 240 volts applied to the control, so it will protect itself.
Display shows error code nP or gAS	Power cord connection is incorrect. Gas supply or service turned off (gas models only).	Check the connection of power cord to terminal block. Confirm that house gas shutoff and dryer gas shutoff are both fully open.
Light does not turn on when door is opened	Dryer has been off for more than four minutes and light is disabled.	Press the POWER button to turn on the dryer, which will enable the drum light.
Dryer does not heat	House fuse is blown, circuit breaker has tripped, or power outage has occurred. Gas supply or service is turned off (gas models only).	Reset circuit breaker or replace fuse. Do not increase fuse capacity. If the problem is a circuit overload, have it corrected by a qualified electrician. NOTE: Due to the design of electric dryers, it is possible for a circuit problem to allow an electric dryer to run without heat. Confirm that the house gas shutoff and the dryer gas shutoff valves are both fully open. Even if gas is not supplied to the dryer, it will run and no error codes will display. Verify that other gas appliances in the home are working normally.
Greasy or dirty spots on clothes	Clean and dirty clothes are being dried together. Clothes were not properly cleaned or rinsed before being placed in the dryer.	Only use your dryer to dry clean items. Soil from dirty clothes can transfer to the clean clothes in the same or later loads. Stains on dried clothes could be stains that weren't removed during the washing process. Make sure that clothes are being completely cleaned or rinsed according to the instructions for your washer and detergent. Some difficult soils may require pre-treating prior to washing.
Lint on clothes	Lint filter not cleaned properly. Laundry not sorted properly. Excess static in clothes. Dryer is overloaded. Tissue, paper, etc., left in pockets.	Remove the lint from the filter before every load. With the lint removed, hold the filter up to a light to see if it is dirty or clogged. If it looks dirty, follow the cleaning instructions. With some loads that produce high amounts of lint, it may be necessary to clean the filter during the cycle. Some fabrics are lint producers (i.e., a fuzzy white cotton towel) and should be dried separately from clothes that are lint trappers (i.e., a pair of black linen pants). Use a fabric softener to reduce static electricity. Be sure to follow the manufacturer's instructions. Over drying a load of laundry can cause a buildup of static electricity. Adjust settings and use a shorter drying time, or use AUTO DRY cycles. Divide extra large loads into smaller loads for drying. Check pockets thoroughly before washing and drying clothes.

BEFORE CALLING FOR SERVICE (continued)

Problem	Possible Cause	Solutions
Drying time is not consistent	Heat settings, load size, or dampness of clothing is not consistent.	The drying time for a load will vary depending on the type of heat used (electric, natural gas, or LP gas), the size of the load, the type of fabrics, the wetness of the clothes, and the condition of the exhaust duct and lint filter. Even an unbalanced load in the washer can cause poor spinning, resulting in wetter clothes which will take longer to dry.
Clothes take too long to dry	<p>Exhaust ducts are blocked, dirty, or duct run is too long.</p> <p>Load is not properly sorted.</p> <p>Large load of heavy fabrics.</p> <p>Dryer controls are not set properly.</p> <p>Lint filter needs to be cleaned.</p> <p>House fuse is blown, circuit breaker has tripped, or power outage has occurred.</p> <p>Dryer is overloaded.</p> <p>Dryer is under loaded.</p>	<p>Confirm that the exhaust duct is properly configured and free of debris, lint, and obstructions. Make sure that outside wall dampers can open properly and are not blocked, jammed, or damaged.</p> <p>Separate heavy items from lightweight items. Larger and heavier items take longer to dry. Light items in a load with heavy items can fool the sensor because the light items dry faster.</p> <p>Heavy fabrics take longer to dry because they tend to retain more moisture. To help reduce and maintain more consistent drying times for large and heavy fabrics, separate these items into smaller loads of a consistent size.</p> <p>Use the appropriate control settings for the type of load you are drying. Some loads may require an adjustment of the DRY LEVEL setting for proper drying.</p> <p>Remove the lint from the filter before every load. With the lint removed, hold the filter up to a light to see if it is dirty or clogged. If it looks dirty, follow the cleaning instructions on. With some loads that produce high amounts of lint, such as new bath towels, it may be necessary to pause the cycle and clean the filter during the cycle.</p> <p>Reset circuit breaker or replace fuse. Do not increase fuse capacity. If the problem is a circuit overload, have it corrected by a qualified electrician.</p> <p>NOTE: Due to the design of electric dryers, it is possible for a circuit problem to allow an electric dryer to run without heat.</p> <p>Divide extra large loads into smaller loads for better drying performance and efficiency.</p> <p>If you are drying a very small load, add a few extra items to ensure proper tumbling action. If the load is very small and you are using AUTO DRY cycles, the electronic control cannot properly sense the dryness of the load and may shut off too soon. Use TIMED DRY or add some extra wet clothes to the load.</p>

TROUBLESHOOTING GUIDE

BEFORE CALLING FOR SERVICE (continued)

Problem	Possible Cause	Solutions
Clothes are wrinkled	<p>Clothes dried too long (over dried).</p> <p>Clothes left in dryer too long after cycle ends.</p>	<p>Overdrying a load of laundry can lead to wrinkled clothes. Try a shorter drying time or LESS DRY setting and remove items while they still retain a slight amount of moisture.</p> <p>Use the WRINKLE GUARD option. This feature will tumble the clothes briefly every few minutes for up to 180 minutes to help prevent wrinkling.</p>
Clothes are shrinking	<p>Garment care instructions are not being followed.</p>	<p>To avoid shrinking your clothes, always consult and follow fabric care instructions. Some fabrics will naturally shrink when washed. Other fabrics can be washed but will shrink when dried in a dryer. Use a low or no heat setting.</p>
Excess static in clothes after drying	<p>Fabric softener is not used or used incorrectly.</p> <p>Clothes dried too long (over dried).</p> <p>Drying synthetics, permanent press, or synthetic blends.</p>	<p>Use a fabric softener or the STATIC SHIELD option, if equipped, to reduce static electricity. Be sure to follow the manufacturer's instructions.</p> <p>Overdrying a load of laundry can cause a buildup of static electricity. Adjust settings and use a shorter drying time, or use AUTO DRY cycles. Select a LESS DRY setting on AUTO DRY cycles, if necessary.</p> <p>These fabrics are naturally more prone to static buildup. Try using fabric softener, or use LESS DRY and/or shorter TIMED DRY time settings.</p>
Steam Features Not Working	<p>Water drips from nozzle when steam cycle starts.</p> <p>Steam is not visible during steam cycle.</p> <p>Steam is not generated and no error code is displayed.</p> <p>Garments are still wrinkled at the end of the STEAM REFRESH cycle.</p> <p>Creases or pleats are gone from garments after Steam Refresh.</p> <p>Garments have static after using the Static Shield option.</p> <p>Garments are too damp or too dry after using Static Shield option.</p> <p>Water drips down the door during steam cycles.</p> <p>Drum does not turn during steam cycles.</p> <p>Cannot see steam vapor at the beginning of the cycle.</p> <p>Odors are not completely removed at the end of the STEAM REFRESH cycle.</p>	<p>This is normal steam condensation. The dripping water will stop after a short time.</p> <p>This is normal. Check for condensation on the inside of the door during the steam portion of the cycle. Steam is not directly visible.</p> <p>Water level error. Unplug the dryer and call for service.</p> <p>Load only one to five garments (or a single bulky item). Do not mix fabric types. STEAM REFRESH is most effective on 70/30 cotton/polyblends. Do not use on 100% cotton items.</p> <p>This cycle removes wrinkles from fabric. Use an iron to replace creases and pleats in garments.</p> <p>The amount of static that builds up when wearing garments depends on the individual moisture level in the skin.</p> <p>Select the load weight manually before starting the Static Shield option.</p> <p>Steam is invisible. However, under some conditions, the condensed fog may be seen, or condensation will form on the inside of the door glass and may be seen dripping down the glass.</p> <p>The drum is turned off so that the steam vapor remains in the drum. The drum will turn for only a few seconds, once a minute.</p> <p>Steam is released at different stages of the cycle for each option. Steam cannot be seen, but condensation may form on the inside of the door when steam is being generated.</p> <p>Some odors are difficult to remove. Fabrics containing certain difficult odors or very strong odors may not refresh well and should be washed or dry cleaned instead.</p>

Kenmore Elite Limited Warranty

FOR ONE YEAR from the date of sale this appliance is warranted against defects in material or workmanship when it is correctly installed, operated and maintained according to all supplied instructions.

WITH PROOF OF SALE, a defective appliance will receive free repair or replacement at option of seller.

For warranty coverage details to obtain free repair or replacement, visit the web page: www.kenmore.com/warranty

This warranty applies for only 90 DAYS from the date of sale if this appliance is ever used for other than private household purposes.

This warranty covers ONLY defects in material and workmanship, and will NOT pay for:

1. Expendable items that can wear out from normal use, including but not limited to filters, belts, bags or screw-in base light bulbs.
2. A service technician to clean or maintain this appliance, or to instruct the user in correct appliance installation, operation and maintenance.
3. Service calls to correct appliance installation not performed by Sears authorized service agents, or to repair problems with house fuses, circuit breakers, house wiring, and plumbing or gas supply systems resulting from such installation.
4. Damage to or failure of this appliance resulting from installation not performed by Sears authorized service agents, including installation that was not in accord with electrical, gas or plumbing codes.
5. Damage to or failure of this appliance, including discoloration or surface rust, if it is not correctly operated and maintained according to all supplied instructions.
6. Damage to or failure of this appliance, including discoloration or surface rust, resulting from accident, alteration, abuse, misuse or use for other than its intended purpose.
7. Damage to or failure of this appliance, including discoloration or surface rust, caused by the use of detergents, cleaners, chemicals or utensils other than those recommended in all instructions supplied with the product.
8. Damage to or failure of parts or systems resulting from unauthorized modifications made to this appliance.
9. Service to an appliance if the model and serial plate is missing, altered, or cannot easily be determined to have the appropriate certification logo.

Disclaimer of implied warranties; limitation of remedies

Customer's sole and exclusive remedy under this limited warranty shall be product repair or replacement as provided herein. Implied warranties, including warranties of merchantability or fitness for a particular purpose, are limited to one year or the shortest period allowed by law. Seller shall not be liable for incidental or consequential damages. Some states and provinces do not allow the exclusion or limitation of incidental or consequential damages, or limitation on the duration of implied warranties of merchantability or fitness, so these exclusions or limitations may not apply to you.

This warranty applies only while this appliance is used in the United States.

This warranty gives you specific legal rights, and you may also have other rights which vary from state to state.

Sears Brands Management Corporation, Hoffman Estates, IL 60179

ÍNDICE

INSTRUCCIONES IMPORTANTES DE SEGURIDAD	41-44
Requisitos de conexión a tierra	42
FUNCIONES Y VENTAJAS	
Piezas y componentes clave	45
INSTRUCCIONES PARA LA INSTALACIÓN	
Dimensiones y especificaciones clave	46
Requisitos de ubicación	46
Escoja el lugar adecuado	46
Espacios de instalación	46
Instalación con base de pedestal o kit de montaje sobre la lavadora opcionales	47
Accesorios.....	47
Conexión de las secadoras de gas	48-49
Requisitos de gas	48
Requisitos eléctricos	48
Conexión de las secadoras eléctricas	50-51
Requisitos eléctricos	50
Ventilación de la secadora	52-53
Conexión de la manguera de entrada	54
Nivelación de la secadora	55
Inversión de la puerta	55
Comprobación final de instalación	56
Prueba de instalación (revisión de conductos).....	57
Flujo de aire restringido o bloqueado.....	58
INSTRUCCIONES DE USO	
Funciones del panel de control	59
Funcionamiento de la secadora	60
Clasificación de cargas	61
Carga de la secadora	61
Guía de ciclos	62-63
Pantalla de tiempo y estado	64
Botones modificadores de ciclo	65
Opciones de ciclos y funciones especiales	66
Instalación y uso de la rejilla de secado opcional.....	66
Funciones de vapor	67
Notas importantes sobre las funciones de vapor.....	67
Uso del ciclo DESINFECTAR CON VAPOR.....	67
Uso del ciclo REFRESCADO CON VAPOR	67
Uso de la opción ANTIESTÁTICA.....	67
ACCELA STEAM	67
Guía de ciclos de vapor.....	68
Funciones inteligentes	68
Aviso de la FCC	70
Especificaciones del módulo inalámbrico	70
Información del aviso de software de código abierto..	70
INSTRUCCIONES DE MANTENIMIENTO DEL USUARIO	
Limpieza regular	71
Mantenimiento del sistema de ventilación	72
DIAGNOSTICS (DIAGNÓSTICOS)	73
GUÍA DE SOLUCIÓN DE PROBLEMAS	
Preguntas frecuentes	74
Antes de solicitar asistencia técnica	74-78
GARANTÍA	79
SERVICIO	Cubierta posterior

REGISTRO DEL PRODUCTO

En el espacio de abajo, registre la fecha de la compra, el modelo y número de serie del producto. Encontrará el modelo y el número de serie impreso en la placa de identificación situada en el interior de la puerta de la secadora. Tenga esta información a mano siempre que se ponga en contacto con Sears con relación a su producto.

N.º de modelo. _____

Fecha de compra _____

N.º de serie _____

Guarde estas instrucciones y su recibo de venta para referencia futura.

LEA TODAS LAS INSTRUCCIONES ANTES DE UTILIZAR ESTE PRODUCTO

Su seguridad y la de los demás es muy importante.

Hemos incluido numerosos mensajes de seguridad en este manual sobre su electrodoméstico. Lea y cumpla siempre todos los mensajes de seguridad.

 Este es el símbolo de alerta de seguridad.

Este símbolo le avisa de posibles peligros de muerte o lesiones para usted o los demás.

Todos los mensajes de seguridad incluirá el símbolo de alerta y la palabra PELIGRO o ADVERTENCIA.


Estas palabras significan:

 **PELIGRO:** Indica una situación peligrosa que, si no se evita, puede producir lesiones graves o la muerte.

 **ADVERTENCIA:** Indica una situación peligrosa que, si no se evita, podría provocar lesiones graves o la muerte.

 **PRECAUCIÓN:** Indica una situación peligrosa que, si no se evita, puede producir una lesión menor o moderada.

Todos los mensajes de seguridad le indicarán cuál es el posible peligro, lo que debe hacer para reducir la probabilidad de lesiones y lo que puede ocurrirle si no se siguen las instrucciones.

 **ADVERTENCIA:** Por su seguridad, debe seguir la información de este manual para reducir al mínimo el riesgo de incendio, explosión o descarga eléctrica, así como prevenir adecuadamente daños materiales, lesiones personales o muerte.

ADVERTENCIA

RIESGO DE INCENDIO

Si no se observan estrictamente las advertencias de seguridad, pueden producirse daños materiales, lesiones graves o la muerte.

- No instale un ventilador auxiliar en el tubo de salida.
- Instale todas las secadoras de ropa conforme a las instrucciones de instalación del fabricante de la secadora.

ADVERTENCIA

RIESGO DE INCENDIO O EXPLOSIÓN

Si no se observan estrictamente las advertencias de seguridad, pueden producirse daños materiales, lesiones graves o la muerte.

- No almacene ni use gasolina u otros líquidos o vapores inflamables cerca de este aparato ni de ningún otro.
- La instalación y el mantenimiento deben ser realizados por un instalador, una agencia de servicio o una compañía de gas calificados.

QUÉ HACER SI HUELE A GAS:

1. No intente encender una cerilla o un cigarrillo, ni tampoco ningún aparato que funcione con gas o electricidad.
2. No toque ningún interruptor eléctrico. No utilice ningún teléfono en su edificio.
3. Despeje de personas la habitación, edificio o zona.
4. Llame inmediatamente a la compañía de gas utilizando el teléfono de un vecino. Siga atentamente las instrucciones de la compañía de gas.
5. Si no puede ponerse en contacto con la compañía de gas, llame a los bomberos.

- No instale la secadora de ropa con materiales de ventilación de plástico flexible. Si se instala un conducto metálico flexible (de tipo lámina de metal), debe ser del tipo concreto especificado por el fabricante del aparato como adecuado para usarlo con secadoras. Se sabe que los materiales de ventilación flexibles se colapsan, se pueden aplastar con facilidad y atrapan pelusas. Estas circunstancias puede obstaculizar el flujo de aire de la secadora y aumentar el riesgo de incendio.

GUARDE ESTAS INSTRUCCIONES

PRECAUCIONES BÁSICAS DE SEGURIDAD

⚠️ ADVERTENCIA: Para reducir el riesgo de incendio, descarga eléctrica o lesiones físicas al utilizar este electrodoméstico, siga estas precauciones básicas, entre las que se incluyen las siguientes:

- Lea todas las instrucciones antes de utilizar la secadora.
- Antes de utilizar la secadora, es necesario instalarla correctamente, según se describe en este manual.
- No introduzca en la secadora artículos que hayan estado expuestos a aceites de cocina. Los artículos impregnados de aceites de cocina pueden contribuir a una reacción química que podría hacer que una carga se incendie.
- No seque artículos que previamente hayan sido limpiados, lavados, sumergidos o salpicados con gasolina, disolventes de limpieza en seco o cualquier otra sustancia inflamable o explosiva, ya que pueden desprender vapores que podrían incendiarse o explotar.
- No introduzca las manos en la secadora mientras el tambor o cualquier otro elemento esté en movimiento.
- No repare ni sustituya ninguna pieza de la secadora ni intente repararla a menos que se recomiende específicamente en esta guía de uso y cuidado, o en instrucciones publicadas de reparaciones que comprenda y sepa aplicar.
- No toque los controles.
- Antes de poner la secadora fuera de servicio o desecharla, retire la puerta del compartimento de secado.
- No permita que los niños jueguen encima de la secadora o en su interior. Si se usa la secadora cerca de niños, será necesario vigilarlos atentamente.
- No utilice suavizantes ni productos para eliminar la estática a menos que lo recomiende el fabricante del suavizante o producto.
- No utilice el calor para secar artículos que contengan gomaespuma o materiales con una textura similar.
- Evite la acumulación de pelusa, polvo o tierra alrededor del área de la apertura de ventilación y áreas adyacentes.
- La parte interior de la secadora y el conducto de ventilación se deberán limpiar periódicamente, y la misma deberá ser realizada por técnicos cualificados.
- No instale ni coloque esta secadora en lugares donde pueda estar expuesta a las inclemencias meteorológicas.
- Antes de cargar la secadora, revise siempre que no haya objetos extraños en su interior.
- Retire la pelusa del filtro antes de cada carga.

LEY EJECUTIVA SOBRE LA SEGURIDAD DEL AGUA POTABLE Y LOS AGENTES TÓXICOS DE CALIFORNIA

Esta ley requiere que el gobernador de California publique una lista de sustancias que se sabe que producen cáncer, defectos congénitos o cualquier otra lesión reproductiva, y obliga a las empresas a advertir a los clientes sobre la posible exposición a tales sustancias. Los electrodomésticos de gas pueden ocasionar una exposición leve a cuatro de estas sustancias, en concreto benceno, monóxido de carbón, formaldehído y hollín, generados principalmente por la combustión incompleta del gas natural o el propano. Una secadora correctamente ajustada minimizará la combustión incompleta. La exposición a estas sustancias se puede minimizar aún más dotando a la secadora de una ventilación adecuada al exterior.

REQUISITOS DE CONEXIÓN A TIERRA

Este electrodoméstico debe estar conectado a tierra. En caso de avería o fallo de funcionamiento, la conexión a tierra reducirá el riesgo de descarga eléctrica, al proporcionar a la corriente eléctrica una trayectoria de una menor resistencia. Este electrodoméstico debe estar equipado con un cable que disponga de un conductor de conexión a tierra del equipo y un enchufe con conexión a tierra. El enchufe debe conectarse a una toma de corriente adecuada que esté correctamente instalada y con conexión a tierra según las normativas y las ordenanzas locales.

ADVERTENCIA: Este producto contiene químicos conocidos por el Estado de California como causantes de cáncer y defectos de nacimiento u otros daños reproductivos. **Lávese las manos después de usarlo.**

⚠️ ADVERTENCIA: Una conexión inadecuada del conductor de conexión a tierra del equipo puede ocasionar un riesgo de descarga eléctrica. Consulte a un eléctrico o técnico cualificado si tiene dudas sobre si el electrodoméstico está correctamente conectado a tierra. No modifique el enchufe que se entrega con el electrodoméstico. Si no encaja en la toma de corriente, solicite a un electricista adecuadamente formado que le instale una toma de corriente apropiada. Este electrodoméstico debe conectarse a un sistema de cableado permanente metálico con conexión a tierra o se debe tender un conductor para la conexión a tierra del equipo con los conductores del circuito y conectado al terminal de conexión a tierra del equipo o al conductor de suministro del electrodoméstico. Si la secadora no se encuentra adecuadamente conectada a tierra, se pueden producir descargas eléctricas.

INSTRUCCIONES DE SEGURIDAD PARA LA INSTALACIÓN

⚠ ADVERTENCIA: Para reducir el riesgo de incendio, descarga eléctrica o lesiones físicas al utilizar este electrodoméstico, siga estas precauciones básicas, entre las que se incluyen las siguientes:

- **Conecte la secadora adecuadamente a tierra según las normativas y las ordenanzas vigentes.** Siga los detalles en las instrucciones de instalación. Si la secadora no se encuentra adecuadamente conectada a tierra, se pueden producir descargas eléctricas.
- **Antes de utilizar la secadora, es necesario instalarla correctamente, según se describe en este manual.** Si la secadora no se encuentra adecuadamente conectada a tierra, se pueden producir descargas eléctricas.
- **Instale y almacene la secadora en un lugar no expuesto a temperaturas inferiores al punto de congelación ni expuesto a la intemperie.**
- **Todos los trabajos de reparación y mantenimiento deberán ser realizados por un técnico autorizado a menos que se den otras recomendaciones específicas en este Manual de uso y cuidado. Utilice sólo piezas de fábrica autorizadas.** Si no se cumple con esta advertencia se podrán producir lesiones graves, incendios, descargas eléctricas o muerte.
- **Con el fin de reducir el riesgo de descargas eléctricas no instale la secadora en espacios húmedos.** Si no se cumple con esta advertencia se podrán producir lesiones graves, incendios, descargas eléctricas o muerte.
- **Conecte un circuito eléctrico clasificado, protegido y adecuado para evitar sobrecargas eléctricas.** Un circuito eléctrico inadecuado se puede fundir, creando descargas eléctricas y/o riesgo de incendio.
- **Quite todos los elementos de embalaje y deseche adecuadamente todos los materiales de envío.** Si no se cumple con esto se podrá producir una explosión, incendio, quemaduras o muerte.
- **Coloque la secadora a una altura mínima de 45,7 cm (18 pulgadas) sobre el suelo para una instalación en el garaje.** Si no se cumple con esto se podrá producir una explosión, incendio, quemaduras o muerte.
- **Mantenga todos los envoltorios alejados de los niños.** Los materiales de los envoltorios pueden resultar peligrosos para los niños. Existe riesgo de asfixia.
- **No lo instale cerca de un elemento que genera calor, como una cocina o un horno de cocción.** Si no se cumple con esta advertencia se puede provocar una deformación, humo o un incendio.
- **No coloque velas ni cigarrillos sobre el producto.** Si no se cumple con esta advertencia se puede provocar una deformación, humo o un incendio.
- **Quite la película de vinilo protectora del producto.** Si no se cumple con esta advertencia se puede provocar una deformación, humo o un incendio.

Ventilación/conductos:

- **Las secadoras de gas DEBEN tener un conducto de ventilación al exterior.** Si no se siguen estas instrucciones se podrá producir incendio o muerte.
- **El sistema de ventilación de la secadora debe dirigirse al exterior de la vivienda. Si la secadora no se ventila al exterior, se expulsará pelusa y grandes cantidades de humedad a la zona de lavandería.** Una acumulación de pelusa en cualquier zona de la vivienda puede crear un peligro de incendio y para la salud.
- **Use únicamente sistemas de ventilación de metal rígido o flexible de 10,2 cm (4 pulgadas) de diámetro dentro del gabinete de la secadora o para ventilación al exterior. Los sistemas de ventilación de plástico u otro material pueden causar incendios. Los sistemas de ventilación agujereados pueden causar incendios si se colapsan o bloquean durante el uso o la instalación.**
- **El sistema de ventilación no se incluye con la secadora, por lo que deberá obtenerlo localmente. La tapa terminal deberá tener reguladores de tiro con bisagras para prevenir el retorno de descarga cuando no se usa la secadora.** Si no se siguen estas instrucciones se podrá producir incendio o muerte.
- **El conducto de escape deberá tener 10,2 cm (4 pulgadas) de diámetro sin obstrucciones. El conducto de escape deberá mantenerse lo más corto posible. Asegúrese de limpiar cualquier tipo de conducto antiguo antes de instalar su secadora nueva.** Si no se siguen estas instrucciones se podrá producir incendio o muerte.
- **Se recomienda usar conductos rígidos o semirrígidos entre la secadora y la pared. En instalaciones particulares, cuando es imposible realizar una conexión siguiendo las recomendaciones antes indicadas, únicamente se puede utilizar un conducto metálico de transición aprobado por UL entre la secadora y la conexión de pared. Usar este tipo de conducto afectará al tiempo de secado.** Si no se siguen estas instrucciones se podrá producir incendio o muerte.
- **NO utilice tornillos de lámina de metal ni otro tipo de sujeciones que se extiendan dentro del conducto y puedan atrapar pelusa y reducir la eficiencia del sistema de ventilación.** Asegure todas las uniones con cinta aislante impermeable. Para más detalles, siga las instrucciones de instalación. Si no se siguen estas instrucciones se podrá producir incendio o muerte.

INSTRUCCIONES DE SEGURIDAD PARA LAS FUNCIONES CON VAPOR

⚠ ADVERTENCIA: Para reducir el riesgo de incendio, descarga eléctrica o lesiones físicas al utilizar este electrodoméstico, siga estas precauciones básicas, entre las que se incluyen las siguientes:

- **No abra la puerta de la secadora durante los ciclos de vapor.** Si no se siguen estas instrucciones podría existir un riesgo de quemadura.
- **No seque prendas que previamente se hayan limpiado, lavado, sumergido o salpicado con gasolina, solventes de lavado en seco o cualquier otra sustancia inflamable o explosiva, ya que se pueden desprender vapores que podrían incendiarse o explotar.** Si no se siguen estas instrucciones se podrá producir incendio o muerte.
- **No toque la boquilla de vapor en el tambor durante el ciclo de vapor o después de finalizado el mismo.** Si no se siguen estas instrucciones podría existir un riesgo de quemadura.

INSTRUCCIONES DE SEGURIDAD PARA LAS CONEXIONES ELÉCTRICAS

⚠ ADVERTENCIA: Para reducir el riesgo de incendio, descarga eléctrica o lesiones físicas al utilizar este electrodoméstico, siga estas precauciones básicas, entre las que se incluyen las siguientes:

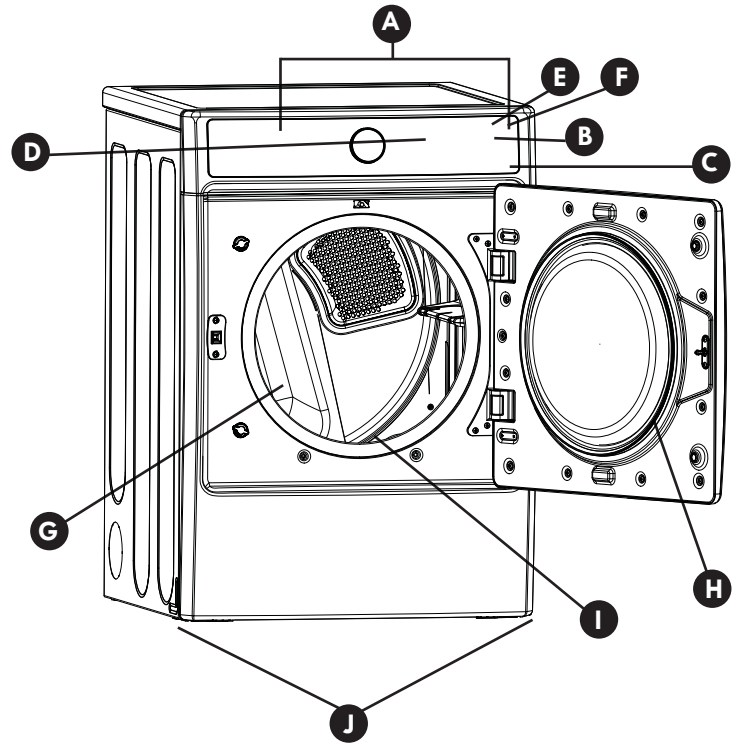
- **Bajo ninguna circunstancia, corte o quite la clavija de conexión a tierra del cable eléctrico.** Para evitar lesiones personales o daños a la secadora, el cable eléctrico debe estar conectado a una toma de corriente con la conexión a tierra adecuada.
- **Por motivos de seguridad personal, este electrodoméstico debe estar conectado a tierra adecuadamente.** Si no se cumple esta advertencia, se podrán producir descargas eléctricas o lesiones.
- **Consulte las instrucciones de instalación de este manual para obtener los requisitos eléctricos específicos de su modelo.** Si no se siguen estas instrucciones, se podrán producir descargas eléctricas y/o riesgo de incendio.
- **Esta secadora debe enchufarse a una toma de corriente conectada a tierra adecuadamente.** Si la secadora no se encuentra adecuadamente conectada a tierra, se pueden producir descargas eléctricas. Solicite a un electricista cualificado que controle la toma de corriente y el circuito eléctrico para asegurarse de que la toma de corriente está correctamente conectada a tierra. Si no se siguen estas instrucciones, se podrán producir descargas eléctricas y/o riesgo de incendio.
- **La secadora debe estar siempre enchufada a su toma de corriente individual, con la clasificación de tensión correspondiente a la placa de datos de servicio.** Esto garantiza el mejor funcionamiento y además previene la sobrecarga de los circuitos del hogar, lo cual podría ocasionar riesgos de incendio debido al recalentamiento de cables.
- **No desenchufe nunca la secadora tirando del cable de corriente. Agarre siempre el enchufe firmemente y tire del mismo para retirarlo de la toma de corriente.** El cable de corriente podría resultar dañado, lo que ocasionaría un riesgo de incendio o descarga eléctrica.
- **Repáre o reemplace de inmediato todos los cables de corriente pelados o con cualquier tipo de daño. No use un cable con cortaduras o abrasión sobre su extensión o extremos.** Este cable de corriente se puede fundir, ocasionando un riesgo de descargas eléctricas y/o incendio.
- **Al instalar o cambiar de lugar la secadora, tenga cuidado de no forzar, aplastar o dañar el cable de alimentación.** De esta manera, evitará heridas o daños debido a incendios o descargas eléctricas sobre la secadora.

GUARDE ESTAS INSTRUCCIONES

PIEZAS Y COMPONENTES CLAVE

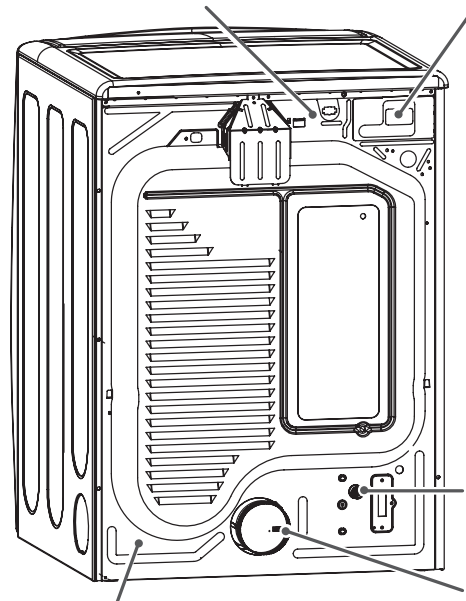
Existen varios componentes importantes a los que se hace referencia en este manual.

- A PANEL DE CONTROL DE FÁCIL USO**
Gire el mando selector de ciclo para seleccionar el ciclo de secado que desee. Añada opciones de ciclo o ajuste los valores tocando un botón.
- B PANTALLA DE TIEMPO Y ESTADO**
La pantalla LED de fácil lectura muestra el estado del ciclo y el tiempo restante estimado.
- C MODIFICADORES DE CICLO**
Ajuste los valores del ciclo, por ejemplo temperatura y nivel de secado, tocando un botón.
NOTA: No todos los ajustes están disponibles para todos los ciclos.
- D COMPROBAR VENTILACIÓN**
(Sistema de detección de bloqueo del conducto)
La comprobación de ventilación (sistema de detección de bloqueo del conducto) detecta y alerta sobre la existencia de bloqueos en el sistema de ventilación que reducen el flujo de aire de la secadora. Al mantener limpios los conductos del sistema de ventilación, mejora el rendimiento, necesitará menos asistencia técnica y, por tanto, ahorrará dinero.
- E SMART GRID (RED INTELIGENTE)**
Reducir sus costos de energía de lavandería, evitando los picos de uso, con la información suministrada por su compañía eléctrica local.
- F REMOTE START (INICIO REMOTO)**
Controle su electrodoméstico remotamente desde su teléfono inteligente.
- G TAMBOR DE ACERO INOXIDABLE DE CAPACIDAD ULTRA GRANDE CON ILUMINACIÓN**
El tambor de acero inoxidable de capacidad ultra grande proporciona una durabilidad superior. La iluminación del tambor se puede encender durante un ciclo pulsando y manteniendo pulsado el botón WRINKLE GUARD durante tres segundos. La luz también se enciende al abrir la puerta, si el control está activado.
- H PUERTA REVERSIBLE DE FÁCIL ACCESO**
La puerta de cristal transparente de amplia apertura facilita el acceso para realizar la carga y descarga. El giro de apertura de la puerta puede cambiarse de sentido para ajustarse al lugar de instalación.
- I FILTRO DE PELUSAS DE MONTAJE FRONTAL**
El filtro de pelusas de montaje frontal permite un acceso y limpieza más sencillos entre cargas.
- J PIES DE NIVELACIÓN**
Los cuatro pies de nivelación (dos frontales y dos posteriores) se pueden ajustar para mejorar la estabilidad de la secadora sobre suelos irregulares.



Ubicación del cable de corriente (modelos a gas)

Panel de acceso al bloque de terminales (modelos eléctricos)



Ubicación de la conexión de gas (modelos a gas)

Válvula de entrada

Salida del conducto de ventilación

Parte posterior de la secadora

INSTRUCCIONES PARA LA INSTALACIÓN

DIMENSIONES Y ESPECIFICACIONES CLAVE

Descripción	Secadora: 796.8178* eléctrica y 796.9178* gas
Requisitos eléctricos	Consulte la etiqueta de especificaciones.
Requerimientos de gas** NG:	Columna de agua (CA) de 4–10,5 pulgadas
Requerimientos de gas** LP:	CA de 8–13 pulgadas
Dimensiones	27 pulg. (ancho) X 30 1/4 pulg. (profundidad) X 38 11/16 pulg. (alto), 52 1/4 pulg. (profundidad con la puerta abierta) 68,6 cm (ancho) X 76,7 cm (profundidad) X 98,3 cm (alto), 132,7 cm (profundidad con la puerta abierta)
Peso neto	Eléctrica: 63,6 kg (140,2 libras) Gas: 64,9 kg (143,1 libras)
Capacidad de secado	IEC 7,4 pies cúbicos

** Sólo modelos de gas

REQUISITOS DE UBICACIÓN

IMPORTANTE: Lea completamente todas las instrucciones de instalación antes de instalar y poner en funcionamiento su secadora. Es importante que revise por completo este manual antes de instalar y utilizar su secadora. En las siguientes páginas se proporcionan instrucciones pormenorizadas acerca de las conexiones eléctricas, las conexiones de gas y los requisitos de ventilación.

ESCOJA EL LUGAR ADECUADO

- No almacene ni instale la secadora en lugares expuestos a temperaturas de congelación ni a inclemencias meteorológicas.
- Escoja una ubicación que disponga de un suelo firme y nivelado.
- Si va a instalar la secadora en un garaje, coloque la unidad al menos a 45,7 cm (18 pulgadas) sobre el nivel del suelo.
- Conecte correctamente a tierra la secadora cumpliendo todas las normativas y ordenanzas.
- Para reducir el riesgo de descarga eléctrica, no instale la secadora en espacios húmedos ni mojados.

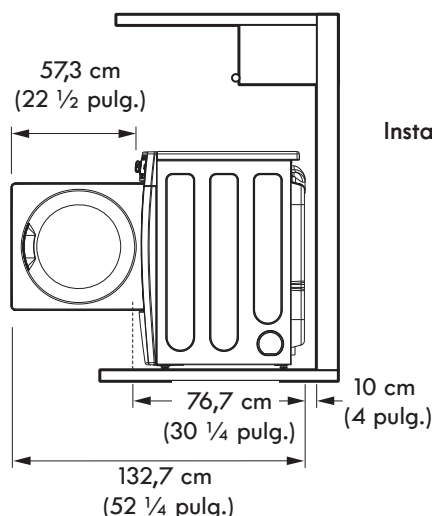
NOTA: La instalación de la secadora en un lugar húmedo, ni instalar o almacenar la secadora donde esté expuesta a la intemperie o a temperaturas bajo cero, puede dar lugar a oxidaciones y otros daños que no están cubiertos por la garantía del producto.

IMPORTANTE: Si va a instalar su secadora en una vivienda prefabricada o móvil, consulte la sección Requisitos eléctricos especiales para viviendas móviles o prefabricadas.

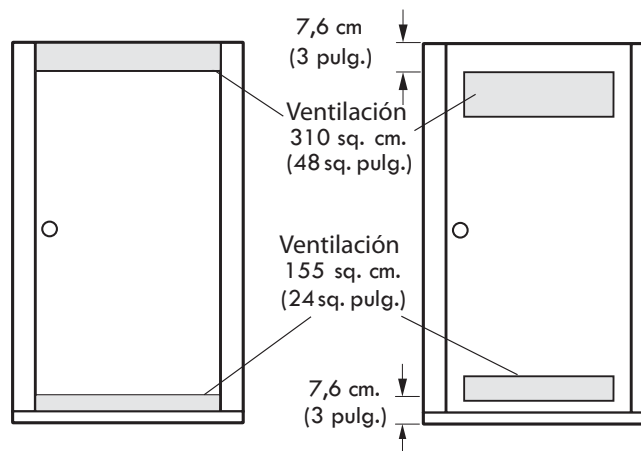
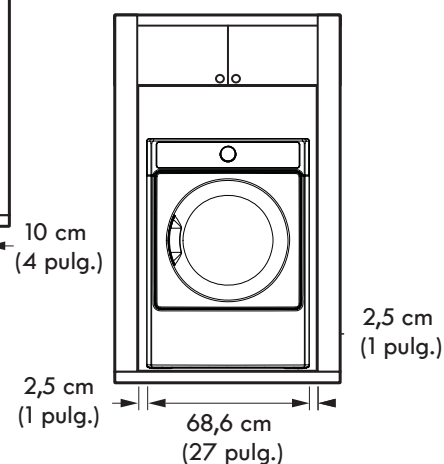
ESPACIOS DE INSTALACIÓN

- La mayoría de las instalaciones requieren una distancia de separación mínima de 14 cm (5 1/2 pulgadas) en la parte trasera de la secadora para el conducto de ventilación.
- Deje una distancia de separación mínima en los laterales y parte posterior de 2,5 cm (1 pulgada) para minimizar la vibración y el ruido.
- Se recomienda dejar una distancia de separación adicional para llevar a cabo la instalación y el mantenimiento.
- No olvide tener en cuenta las molduras de paredes, puertas o piso, que podrían aumentar la distancia de separación necesaria.
- Deje al menos 57,3 cm (22 1/2 pulgadas) en la parte frontal de la secadora para abrir la puerta.
- Deje espacios mínimos de por lo menos 14 cm (5,5 pulg.) en la parte delantera de la secadora para la instalación de armario.

Instalación estándar – Vista lateral



Instalación estándar – Vista frontal



Requisitos de ventilación a puerta cerrada

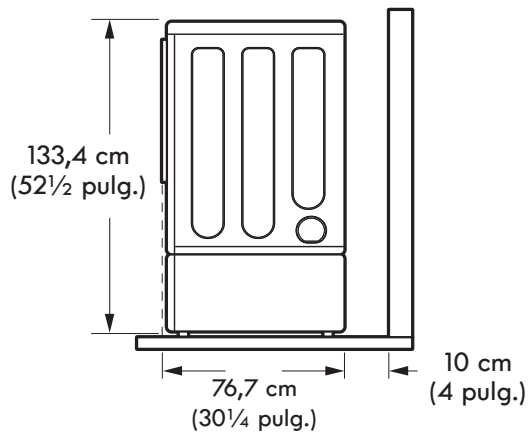
Instrucciones adicionales para instalaciones en armario:

La puerta del armario debe permitir la entrada del flujo de aire suficiente. Consulte el esquema superior para consultar los requisitos mínimos de las aperturas de ventilación. También es aceptable la utilización de puertas de celosía.

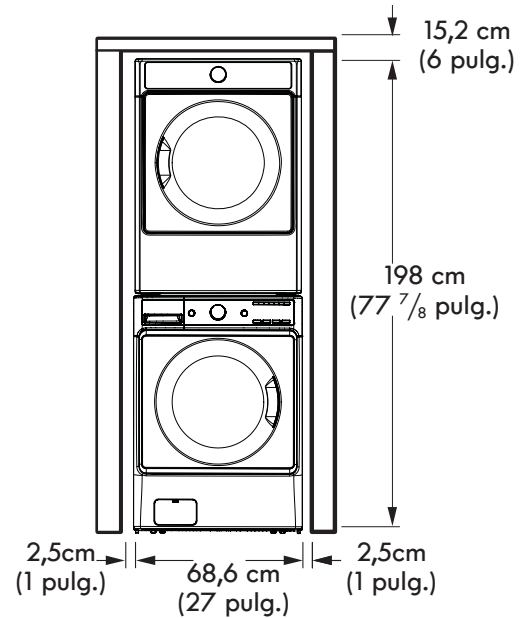
INSTALACIÓN CON BASE DE PEDESTAL O KIT DE MONTAJE SOBRE LA LAVADORA OPCIONALES

IMPORTANTE: Si está instalando la secadora con una base de pedestal o un kit de montaje sobre la lavadora opcionales, consulte las instrucciones que vienen con el accesorio.

Dimensiones requeridas para la instalación con pedestal

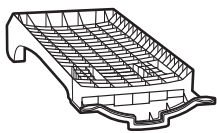


Dimensiones requeridas para la instalación con el kit para montaje sobre la lavadora

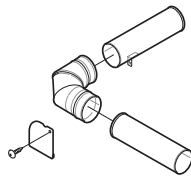


ACCESORIOS

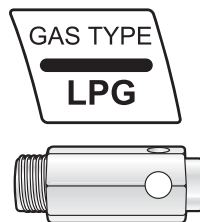
Accesorios necesarios
(se vende por separado)



rejilla de secado**
N.º de kit: 3751EL1001B

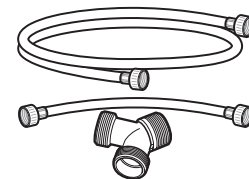


kit de ventilación lateral*
N.º de kit: 26-49670



kit de conversión de LP*
N.º de kit: D26-17025

Accesorios opcionales
(se vende por separado)



mangueras y conector en "Y" *
N.º de kit: 26-59029



pedestal*
Blanco = 51122
Plata Metalizado = 51123



kit para montaje*
Cromo Mirada = D26-17013

* en Sears.com
** en SearsPartsDirect.com

Utilice el kit de conversión de LP para cambiar las conexiones de gas de la secadora de gas natural (NG) o gas propano (LP).

NOTA: La instalación del kit de conversión de LP debe realizarla un técnico cualificado.

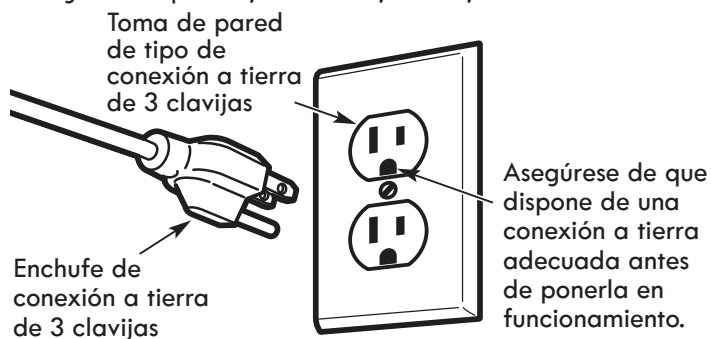
CONEXIÓN DE LAS SECADORAS DE GAS REQUISITOS DE GAS (SÓLO MODELOS DE GAS)

! ADVERTENCIA: Para reducir el riesgo de incendio, descarga eléctrica o lesiones físicas al utilizar este electrodoméstico, siga estas precauciones básicas, entre las que se incluyen las siguientes:

- **Requisitos del suministro de gas:** Esta secadora viene configurada de fábrica para utilizar gas natural (NG). Es posible adaptarla para utilizarla con propano licuado (LP). La presión del gas no debe sobrepasar las 203,2 mm H₂O (8 pulgadas de columna de agua) para NG ni 330,2 mm H₂O (13 pulgadas de columna de agua) para LP.
- La conexión de la secadora al suministro de gas debe realizarla un técnico de servicio cualificado de mantenimiento o de la compañía. Si no se siguen estas instrucciones, podrían ocasionarse riesgos de explosión, incendio o, incluso, muerte.
- Aísle la secadora del sistema de suministro de gas cerrando su válvula manual de cierre individual durante cualquier prueba de presión del suministro de gas. Si no se cumple con esto se podrá producir una explosión, incendio o muerte.
- **Requisitos de la línea de suministro:** Su lavadero debe disponer de una toma de suministro de gas rígida para su secadora. En Estados Unidos, debe instalarse una válvula manual de corte individual en un radio de al menos 1,8 m (6 pies) de la secadora, según el National Fuel Gas Code ANSI Z223.1 o el reglamento de instalaciones de gas canadiense CSA B149.1. Debe instalarse un tapón de tubería NPT de 0,3 cm (1/8 pulgadas). Si no se cumple con esto se podrá producir una explosión, incendio o muerte.
- Si se utiliza una tubería rígida, debe ser IPS de 1,25 cm (1/2 pulgadas). Si lo aceptan los códigos y ordenanzas locales y su proveedor de gas, puede utilizarse tubería autorizada de 0,95 cm (3/8 pulgadas) cuando la longitud sea inferior a 6,1 m (20 pies). Deberá utilizarse tubería de mayor sección para longitudes que excedan los 6,1 m (20 pies). Si no se cumple con esto se podrá producir una explosión, incendio o muerte.
- **Conecte la secadora al tipo de gas que se indique en la placa de identificación.** Si no se cumple con esto se podrá producir una explosión, incendio o muerte.
- **Para evitar contaminación procedente de la válvula de gas, purgue el aire y los sedimentos del suministro de gas antes de conectarlo a la secadora. Antes de apretar la conexión entre el suministro de gas y la secadora, purgue el aire residual hasta que perciba olor a gas.** Si no se cumple con esto se podrá producir una explosión, incendio o muerte.
- **NO utilice una llama abierta para buscar fugas de gas. Utilice un líquido de detección de fugas no corrosivo.** Si no se cumple con esto se podrá producir una explosión, incendio o muerte.
- **Utilice únicamente una toma de suministro de gas certificada AGA o CSA con conectores de acero inoxidable flexible.** Si no se cumple con esto se podrá producir una explosión, incendio o muerte.
- **Apriete firmemente todas las conexiones de gas.** Si no se cumple con esto se podrá producir una explosión, incendio o muerte.
- **Utilice cinta de teflón o un sellador de tubos que sea insoluble en gas propano licuado (LP) en todas las tuberías.** Si no se cumple con esto se podrá producir una explosión, incendio o muerte.
- **NO intente desmontar la secadora; cualquier desmontaje requiere la atención y las herramientas de un técnico o compañía de servicio autorizada y cualificada.** Si no se sigue esta advertencia, podrían ocasionarse riesgos de explosión, incendio o, incluso, muerte.

REQUISITOS ELÉCTRICOS SÓLO PARA MODELOS DE GAS

- **Bajo ninguna circunstancia, corte o quite la tercera clavija (de puesta a tierra) del cable eléctrico.** Si no se sigue esta advertencia, podrían ocasionarse riesgos de explosión, incendio o, incluso, muerte.
- **Por motivos de seguridad personal, este electrodoméstico debe estar conectado a tierra adecuadamente.** Si no se sigue esta advertencia, podrían ocasionarse riesgos de explosión, incendio o, incluso, muerte.
- **El cable de alimentación de esta secadora está equipado con un enchufe de tres clavijas (de puesta a tierra) que coincide con una toma de corriente para tres clavijas (de puesta a tierra) para así minimizar la posibilidad de descarga eléctrica de este electrodoméstico.** Si no se sigue esta advertencia, podrían ocasionarse riesgos de explosión, incendio o, incluso, muerte.
- **Esta secadora debe enchufarse a una toma de pared con puesta a tierra de 120 V de CA, 60 Hz, protegida mediante un fusible o un disyuntor de 15 A.** Si no se sigue esta advertencia, podrían ocasionarse riesgos de explosión, incendio o, incluso, muerte.
- **Si únicamente se dispone de una toma de corriente de 2 clavijas, será responsabilidad y obligación suya sustituirlo por otra de 3 clavijas, de puesta a tierra, y adecuada para este uso.** Si no se sigue esta advertencia, podrían ocasionarse riesgos de explosión, incendio o, incluso, muerte.



CONEXIÓN DE LAS SECADORAS DE GAS (continuación)

⚠ ADVERTENCIA: Para reducir el riesgo de incendio, descarga eléctrica o lesiones físicas al utilizar este electrodoméstico, siga estas precauciones básicas, entre las que se incluyen las siguientes:

- La instalación y el servicio deben ser realizados por un técnico cualificado, una agencia de mantenimiento o la compañía de gas. Si no se cumple con esto se podrá producir una explosión, incendio o muerte.
- Utilice únicamente un conector flexible de acero inoxidable y un conector certificado AGA nuevos. Si no se cumple con esto se podrá producir una explosión, incendio o muerte.
- Debe instalarse una válvula de corte de gas en un radio de 1,8 m (6 pies) de la secadora. Si no se cumple con esto se podrá producir una explosión, incendio o muerte.
- La secadora viene configurada de fábrica para utilizar gas natural. Asegúrese de que la secadora está equipada con la boquilla de quemador adecuada al tipo de gas que está utilizando (gas natural o gas propano). Si no se cumple con esto se podrá producir una explosión, incendio o muerte.
- Si fuese necesario, la boquilla adecuada (para el kit de boquilla de LP, solicite el número de referencia D26-17025) debe instalarla un técnico cualificado, indicando el cambio en la secadora. Si no se cumple con esto se podrá producir una explosión, incendio o muerte.
- Todas las conexiones deben realizarse conforme a los códigos y normativas locales. Si no se cumple con esto se podrá producir una explosión, incendio o muerte.
- Las secadoras de gas **DEBEN** evacuar al exterior. Si no se cumple con esto se podrá producir una explosión, incendio o muerte.

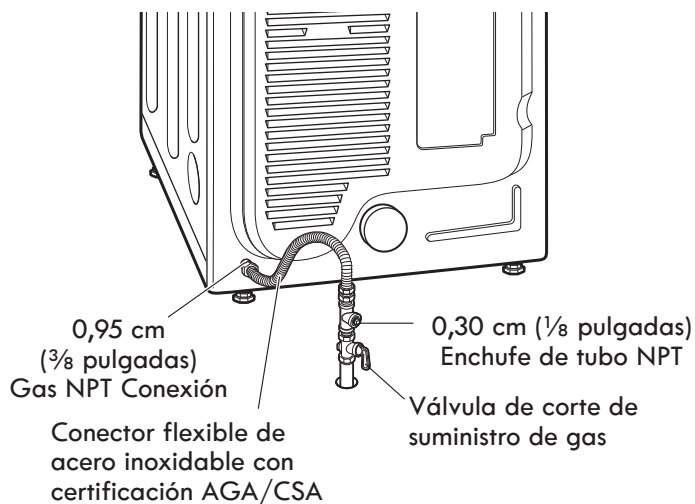
Conexión al suministro de gas

NOTA: Esta secadora viene configurada de fábrica para usar gas natural (NG). Si la secadora va a utilizarse con gas propano (LP), deberá adaptarla un técnico de servicio cualificado.

- 1 Asegúrese de que el suministro de gas que da servicio al lavadero esté CORTADO y que la secadora esté desenchufada. Confirme que el tipo de gas disponible en su lavadero es el adecuado para la secadora.
- 2 Retire el tapón de transporte del adaptador de gas situado en la parte posterior de la secadora. Asegúrese de no dañar las roscas del conector de gas al retirar el tapón de transporte.
- 3 Conecte la secadora al suministro de gas del lavadero utilizando un conector de acero inoxidable flexible con un adaptador NPT de 3/8 pulgadas.

NOTA: NO utilice conectores viejos.

- 4 Apriete firmemente todas las conexiones entre la secadora y el suministro de gas del cuarto de lavado.
- 5 Active el suministro de gas.
- 6 Compruebe todas las conexiones de los conductos (tanto internas o externas) en busca de posibles fugas de gas utilizando un líquido de detección de fugas no corrosivo.
- 7 Continúe con los requisitos de ventilación.



Instalaciones en altitudes elevadas

La clasificación BTU de esta secadora tiene certificación AGA para cotas inferiores a 10.000 pies.

Si va a instalar su secadora en una cota superior a 10.000 pies, un técnico cualificado o proveedor de gas deberá reducir su capacidad eléctrica.

CONEXIÓN DE LAS SECADORAS ELÉCTRICAS

REQUISITOS ELÉCTRICOS

⚠ ADVERTENCIA: Para ayudar a prevenir incendios, descargas eléctricas, lesiones graves o incluso la muerte, el cableado y la puesta a tierra deben cumplir la edición más reciente del National Electrical Code, ANSI/NFPA 70 y todas las normativas locales de aplicación. Póngase en contacto con un electricista cualificado para comprobar el cableado y los fusibles de su vivienda para asegurarse de que dispone de la potencia eléctrica adecuada para utilizar la secadora.

Requisitos eléctricos especiales para viviendas móviles o prefabricadas

⚠ ADVERTENCIA: Para reducir el riesgo de incendio, descarga eléctrica o lesiones físicas al utilizar este electrodoméstico, siga estas precauciones básicas, entre las que se incluyen las siguientes:

- Cualquier instalación en una vivienda prefabricada o móvil debe cumplir con las directrices del *Manufactured Home Construction and Safety Standards*, título 24 CFR, sección 3280 ó con el estándar *CAN/CSA Z240 MH* y los códigos y ordenanzas locales.
- Es necesaria una conexión tetrafililar para las instalaciones realizadas en todas las viviendas móviles y prefabricadas, así como toda nueva construcción a partir del 1 de enero de 1996. Si no se cumple con esto se podrá producir una explosión, incendio o muerte.

Requisitos eléctricos sólo para modelos eléctricos

⚠ ADVERTENCIA: Para reducir el riesgo de incendio, descarga eléctrica o lesiones físicas al utilizar este electrodoméstico, siga estas precauciones básicas, entre las que se incluyen las siguientes:

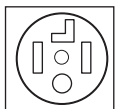
- Esta secadora debe conectarse a un sistema de cableado permanente metálico con conexión a tierra o se debe tender un conductor para la conexión a tierra del equipo con los conductores del circuito y conectado al terminal de conexión a tierra del equipo o al conductor de suministro de la secadora. Si no se cumple con esto se podrá producir una explosión, incendio o muerte.
- La secadora dispone de un bloque de terminales propio que debe conectarse a un circuito monofásico independiente de 240 V de CA y 60 Hz, con fusible de 30 A. El circuito debe disponer de fusibles en ambos extremos de la línea. **EL SERVICIO ELÉCTRICO PARA LA SECADORA DEBE SER DEL MÁXIMO VOLTAJE NOMINAL INDICADO EN LA PLACA DE ESPECIFICACIONES. NO CONECTE LA SECADORA A UN CIRCUITO DE 110, 115 Ó 120 VOLTIOS.** Si no se siguen estas instrucciones, podrían ocasionarse riesgos de explosión, incendio o, incluso, muerte.
- Si el ramal del circuito a la secadora tiene una longitud igual o inferior a 4,5 m (15 pies), utilice el cable AWG n.º 10 con clasificación UL (Underwriters Laboratories) (sólo cable de cobre) o el que requieran las normativas locales. Si supera los 4,50 m (15 pies), utilice el cable AWG n.º 8 con clasificación UL (sólo cable de cobre) o el que requieran las normativas locales. Permita la suficiente holgura en el cableado para que la secadora pueda ser desplazada de su ubicación habitual cuando sea necesario. Si no se cumple con esto se podrá producir una explosión, incendio o muerte.
- La conexión del cable de alimentación (cable flexible de conexión) entre la toma de pared y el bloque de terminales de la secadora **NO SE INCLUYE** con la unidad. El tipo de cable flexible de conexión y su calibre deben cumplir las normativas locales y las instrucciones que se proporcionan en las páginas siguientes. Si no se siguen estas instrucciones, podrían ocasionarse riesgos de explosión, incendio o, incluso, muerte.
- Es necesario disponer de una conexión tetrafililar en toda nueva construcción a partir del 1 de enero de 1996. Debe utilizarse una conexión tetrafililar allí donde las normativas locales no permitan la puesta a tierra a través del cable neutro. Si no se cumple esta advertencia, se podrá producir una explosión, incendio o muerte.

CONEXIÓN DE LAS SECADORAS ELÉCTRICAS (continuación)

⚠ ADVERTENCIA:

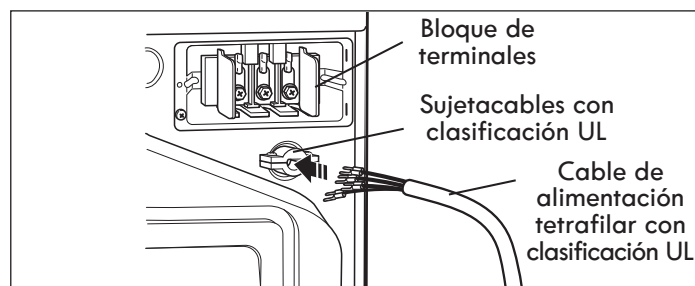
Conecte el cable de alimentación a la caja de terminales. Conecte cada uno de los conductores del cable de alimentación al tornillo de la caja de terminales que tenga el conductor del mismo color. Por ejemplo, conecte el conductor negro del cable de alimentación al tornillo de la caja de terminales que tiene el conductor negro. En caso de no seguir estas instrucciones, se podría producir un cortocircuito o una sobrecarga.

Cable de alimentación tetrafilar

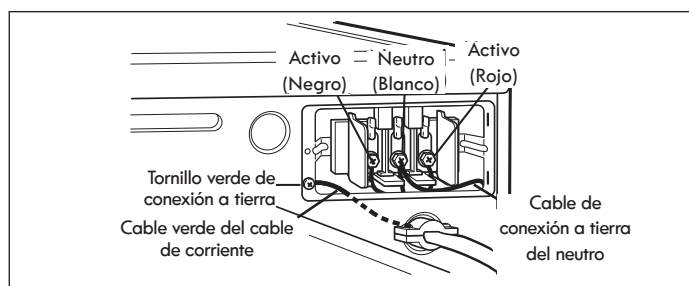


• Es obligatorio disponer de una conexión tetrafilar para las instalaciones realizadas en todas las viviendas móviles y prefabricadas, así como toda nueva construcción a partir del 1 de enero de 1996.

- Es preciso disponer de un sujetacables con clasificación UL.
- Instale un cable eléctrico tetrafilar de **30 amperios, 240 V y con clasificación UL con un conductor de cobre N° 10 AWG como mínimo** y terminales de bucle cerrado o de horquilla con extremos doblados hacia arriba.



- 1 Retire la tapa de acceso al bloque de terminales situado en la sección superior de la parte posterior de la secadora.
- 2 Instale un sujetacables con clasificación UL dentro del orificio de paso del cable de alimentación.
- 3 Introduzca un cable de alimentación tetrafilar de 30 A, 240 V y con clasificación UL con conductor de cobre mínimo AWG n.º 10 a través del sujetacables.



- 4 Cambie el cable de tierra de la secadora de la parte posterior del tornillo verde de conexión a tierra al tornillo central del bloque de terminales.
- 5 Fije los dos cables activos (negro y rojo) del cable de alimentación a los tornillos del bloque de terminales exteriores.
- 6 Fije el cable neutro blanco al tornillo central del bloque de terminales.
- 7 Fije el hilo de conexión a tierra del cable de alimentación al tornillo de tierra verde.
- 8 **APRIETE FIRMEMENTE TODOS LOS TORNILLOS.**
- 9 Vuelva a colocar la tapa de acceso al bloque de terminales.

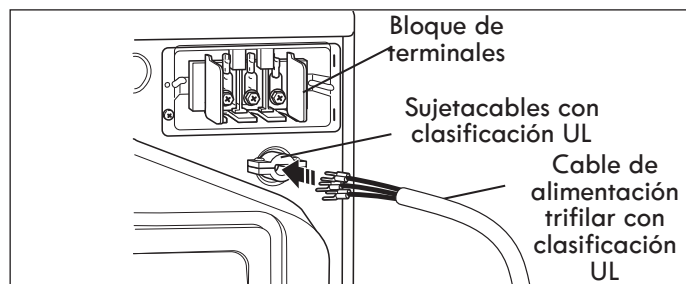
La puesta a tierra a través del conductor neutro está prohibida para: (1) nuevas instalaciones de circuitos derivados, (2) viviendas móviles, (3) vehículos recreativos y (4) zonas en las que los códigos locales prohíban la puesta a tierra a través del conductor neutro.

Cable de alimentación trifilar

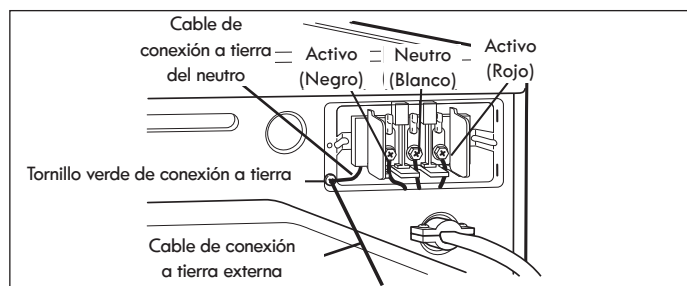


• **NO** están permitidas las conexiones trifilares en nuevas construcciones a partir del 1 de enero de 1996.

- Es preciso disponer de un sujetacables con clasificación UL.
- Instale un cable eléctrico trifilar de 30 amperios, 240 V, con clasificación UL y con un conductor de cobre n.º 10 AWG como mínimo y terminales de bucle cerrado o de horquilla con extremos doblados hacia arriba.



- 1 Retire la tapa de acceso al bloque de terminales situado en la sección superior de la parte posterior de la secadora.
- 2 Instale un sujetacables con clasificación UL dentro del orificio de paso del cable de alimentación.
- 3 Introduzca un cable de alimentación trifilar de 30 A, 240 V y con clasificación UL con conductor de cobre mínimo AWG n.º 10 a través del sujetacables.



- 4 Fije los dos cables activos (negro y rojo) del cable de alimentación a los tornillos del bloque de terminales exteriores.
- 5 Fije el cable neutro (blanco) al tornillo central del bloque de terminales.
- 6 Conecte la puesta a tierra externa (si lo exigen las normativas locales) al tornillo verde de conexión a tierra.
- 7 **APRIETE FIRMEMENTE TODOS LOS TORNILLOS.**
- 8 Vuelva a colocar la tapa de acceso al bloque de terminales.

¡IMPORTANTE! Compruebe la existencia de problemas en su sistema de evacuación

La causa más habitual de problemas en la secadora es una ventilación deficiente. Antes de instalar su nueva secadora, compruebe los elementos enumerados a continuación para garantizar el mejor rendimiento posible. De esta manera, podrá ahorrar tiempo y dinero al reducir los tiempos de los ciclos y aumentar la eficiencia energética.

• CONDUCTOS DE VENTILACIÓN SUCIOS O DAÑADOS.

Se produce una acumulación de pelusas con el paso del tiempo en los conductos de ventilación, lo que reduce el flujo de aire y aumenta el trabajo de la secadora. Inspeccione visualmente los conductos desde ambos extremos y límpielos si no lo ha hecho recientemente.

• MATERIAL INADECUADO DE LOS CONDUCTOS DE VENTILACIÓN.

Compruebe que los conductos de ventilación son de metal rígido o semirrígido. Si los conductos de ventilación son de plástico o lámina metálica flexible, sustitúyalos antes de utilizar la secadora.

• EXTRACTOR OBSTRUIDO O DAÑADO. Compruebe su extractor exterior. Debe estar limpio y libre de acumulaciones de pelusas. Compruebe el regulador de tiro y asegúrese de que se abre fácilmente y por completo.

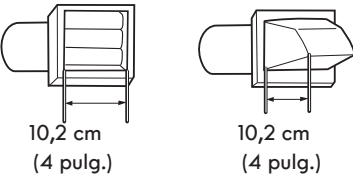
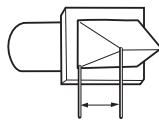
• CONDUCTO DE VENTILACIÓN DE LONGITUD EXCESIVA. Mida la longitud de su sistema de ventilación y cuente los codos. Utilice el cuadro que aparece a continuación para comprobar si su conducto es demasiado largo. Si lo es, rediríjalo de forma que cumpla las directrices de ventilación.

• NO UTILICE CONDUCTOS DE VENTILACIÓN DE PLÁSTICO O LÁMINA METÁLICA. El conducto de paso desde su secadora a la pared debe ser rígido o semirrígido. Si su viejo conducto de paso es de plástico o de lámina metálica, SUSTITÚYALO por un conducto metálico semirrígido.

Uso del CUADRO DE LONGITUDES DEL CONDUCTO (a continuación)

- 1 Busque el tipo de extractor de pared en el cuadro siguiente.
- 2 Seleccione la fila que coincida con el número de codos requeridos en el recorrido del conducto de la secadora.
- 3 Lea a la derecha del número de codos la longitud máxima del conducto para la instalación. Una mayor longitud de conducto ocasionará una menor eficacia de secado, tiempos de secado más prolongados y un mayor consumo de energía. Si el recorrido del conducto es extremadamente largo, es posible que se reduzca la vida útil de la secadora.

NO supere la longitud máxima para el tipo de extractor y número de codos del conducto utilizado.

Tipo de extractor	Número de codos de 90°	Longitud máxima de conducto metálico rígido de 10,2 cm (4 pulgadas) de diámetro
<p>Recomendado</p>  <p>10,2 cm (4 pulg.)</p>	0	19,8 m (65 pies)
	1	16,8 m (55 pies)
	2	14,3 m (47 pies)
	3	11,0 m (36 pies)
	4	8,5 m (28 pies)
<p>Sólo para instalaciones de recorrido corto</p>  <p>6,35 cm (2,5 pulg.)</p>	0	16,8 m (55 pies)
	1	14,3 m (47 pies)
	2	12,5 m (41 pies)
	3	9,1 m (30 pies)
	4	6,7 m (22 pies)

NOTA: Reste 1,8 m (6 pies) por cada codo adicional. No se recomienda utilizar más de cuatro codos de 90°.

VENTILACIÓN DE LA SECADORA (continuación)

Colocación y conexión de los conductos

Siga las directrices expuestas a continuación para lograr un funcionamiento óptimo de la secadora y reducir la acumulación de pelusa y la condensación en los conductos.

NOTA: Los conductos de paso (de la secadora a la pared) y las uniones NO se incluyen, por lo que **deberán** adquirirse por separado.

- Utilice un conducto metálico rígido o semirrígido de 10,2 cm (4 pulgadas) de diámetro.
- El recorrido del conducto de ventilación debe ser lo más corto posible.
- Utilice la mínima cantidad posible de uniones en codo.
- El extremo macho de cada sección del conducto de ventilación **debe** apuntar hacia fuera de la secadora. Véase la figura en la parte inferior derecha de la página.
- Utilice cinta para conductos en todas las uniones. No utilice nunca tornillos.
- Aísle los conductos que pasen a través de áreas no calefactadas con el fin de reducir la condensación y la acumulación de pelusa sobre la superficie del conducto.
- La longitud total de un conducto metálico de transición semirrígido no deberá exceder los 2,4 m (8 pies).

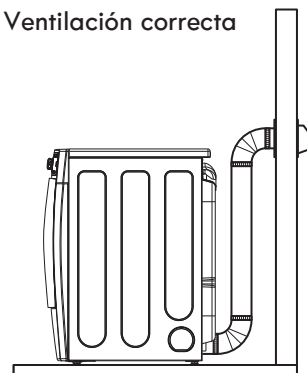
! ADVERTENCIA: Si no se siguen estas directrices ocasionará un rendimiento deficiente, fallos del producto y/o podría producir incendios o riesgo de muerte.

IMPORTANTE: Si no se ventila la secadora según las directrices incluidas en estas instrucciones, el rendimiento de la unidad podría no ser satisfactorio. Toda la ventilación y conductos externos a la propia secadora son responsabilidad del consumidor. Los fallos en el producto como consecuencia de una ventilación inadecuada no quedan cubiertos por la garantía del fabricante.

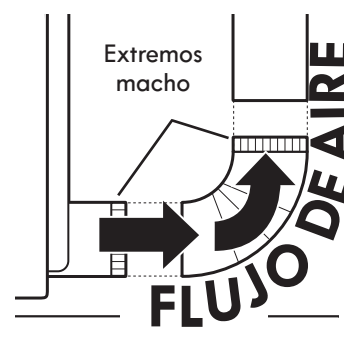
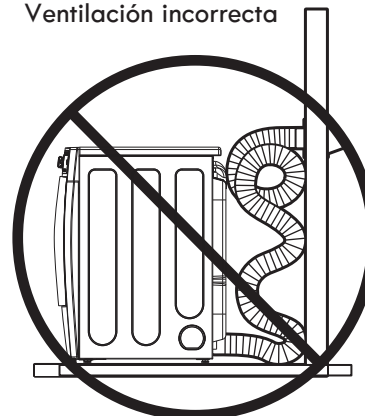
Conexión del conducto de ventilación de la secadora

- 1 Compruebe que todos los conductos y codos estén limpios y libres de obstrucciones.
- 2 Mida la longitud del conducto. NO sobrepase la longitud máxima que se indica.
- 3 Conecte la ventilación de la secadora a los conductos existentes.
 - Utilice únicamente cinta o abrazaderas para conductos.
 - NO utilice tornillos para sujetar los conductos.
 - Utilice conductos metálicos rígidos o semirrígidos.
 - NO utilice tubos de plástico ni de lámina metálica para los conductos.
 - El extremo macho de cada codo debe apuntar siempre en el sentido del flujo de aire.

Ventilación correcta



Ventilación incorrecta



INSTRUCCIONES PARA LA INSTALACIÓN

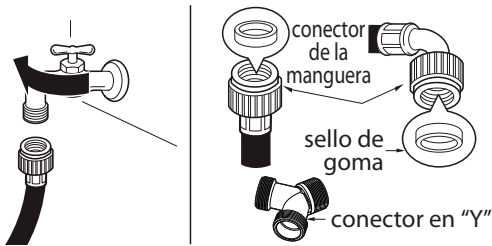
CONEXIÓN DE LA MANGUERA DE ENTRADA

La secadora debe conectarse al grifo de agua fría mediante una manguera de suministro de agua nueva. No utilice mangueras viejas.

NOTA:

- La presión del suministro de agua debe ser de entre 20 y 120 psi (138 a 827 kPa).
- No dañe ni fuerce la rosca cuando conecte la manguera de entrada a la válvula.
- Si la presión de agua es superior a 827 kPa, debe instalarse una válvula reductora de presión.
- Revise las condiciones de la manguera de manera periódica y reemplácela si fuera necesario.
- Reemplace las mangueras de entrada después de 5 años de uso para reducir el riesgo de falla en la manguera..
- Anote las fechas de instalación o de reemplazo en las mangueras para futuras consultas.

- 1 Revise el sello de goma de la manguera de entrada. Se proporcionan dos sellos de goma con cada manguera de entrada. Se utilizan para evitar las pérdidas de agua. Asegúrese de que la conexión con el grifo de agua fría sea hermética.



- 2 Verifique el tipo de instalación.



Apriete bien todas las conexiones de las mangueras de suministro de agua a mano y luego ajuste otros 2/3 de vuelta con pinzas.

CON LAVADORA: En el caso de conectar la secadora en el mismo grifo que la lavadora.

- a. Cierre el grifo de agua fría y quite la manguera de la lavadora.
- b. Conecte la manguera corta al conector en "Y" usando uno de los sellos de goma.
- c. Conecte el otro extremo de la manguera corta al grifo de agua fría.
- d. Conecte la manguera larga de la secadora en un extremo del conector en "Y" y conecte la manguera de la lavadora en el otro extremo.

SIN LAVADORA: Si la secadora no comparte el grifo de agua fría con una lavadora.

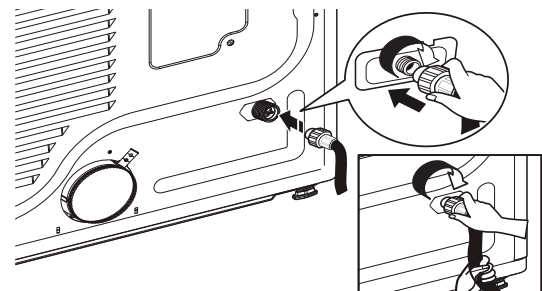
- a. Conecte el extremo recto de la manguera larga al grifo de agua fría.

NOTA:

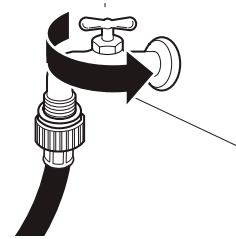
- Antes de conectar la línea de agua a la secadora, evacue varios galones de agua en un desagüe o en un cubo. Esto evitará que algunas partículas extrañas como arena y sarro tapen la válvula de entrada de la secadora.
- No ajuste de más. Podría dañar los acoplamientos.

- 3 Connect the hose to the dryer.

- Conecte la manguera a la secadora. Conecte la manguera de suministro de agua a la válvula de entrada de la secadora a mano y luego ajuste otros 2/3 de vuelta con pinzas. Asegúrese de que las mangueras no estén plegadas ni aplastadas.



- 4 Abra el grifo de agua fría.



- 5 Verifique que no haya fugas en el conector en "Y" (si se utiliza) ni en ninguna otra manguera.



NOTA:

- Si hubiera fugas, cierre el grifo de agua, quite la manguera y revise el estado del sello de goma.

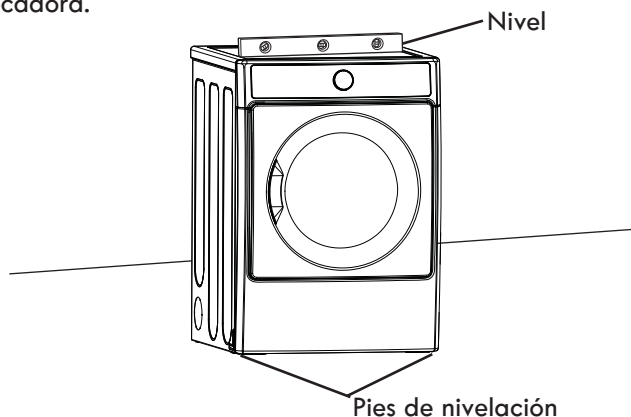
NIVELACIÓN DE LA SECADORA

⚠️ ADVERTENCIA:

- Utilice guantes durante la instalación.
- Si no se siguen estas instrucciones puede provocar lesiones físicas.

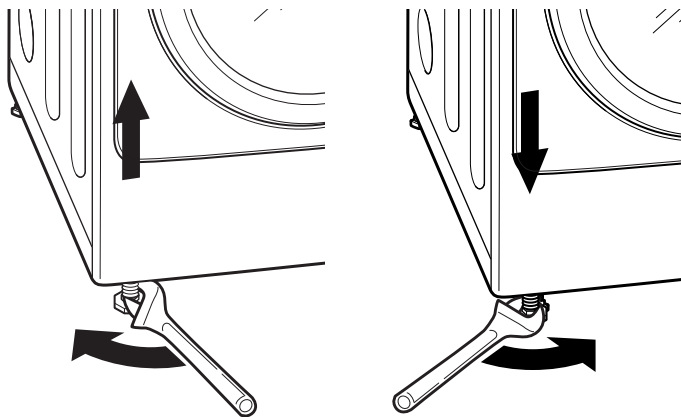
Para asegurarse de obtener un secado óptimo, la secadora debe estar nivelada. Para minimizar la vibración, los ruidos y los movimientos no deseados, el piso deberá ser una superficie perfectamente nivelada y sólida.

NOTA: Ajuste los pies de nivelación sólo lo necesario para nivelar la secadora. Si se extienden los pies de nivelación más de lo necesario, se pueden provocar vibraciones en la secadora.



- 1 Coloque la secadora en su ubicación final. Coloque un nivel sobre la parte superior de la secadora.

Las cuatro patas niveladoras deben apoyarse firmemente en el piso. Presione ligeramente las esquinas superiores de la secadora para asegurarse de que no existe desequilibrio entre ellas.



- 2 Use una llave inglesa para girar los pies de nivelación. Gire el pie de nivelación en sentido horario para elevar la secadora y gírelo en sentido antihorario para bajarla. Con un nivel, ajuste los pies hasta que la secadora quede nivelada de lado a lado y de adelante hacia atrás. Asegúrese de que los cuatro pies están en contacto directo con el suelo.

NOTA: Si desea instalar la secadora sobre el pedestal opcional, deberá retraer completamente los pies de nivelación. Utilice los pies de nivelación del pedestal para nivelar la secadora.

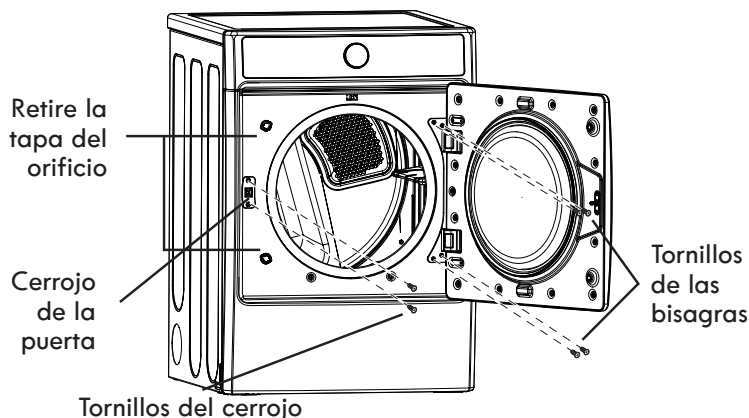
INVERSIÓN DE LA PUERTA

El sentido de la basculación de la puerta de la secadora se puede invertir para adaptarlo al sitio de instalación.

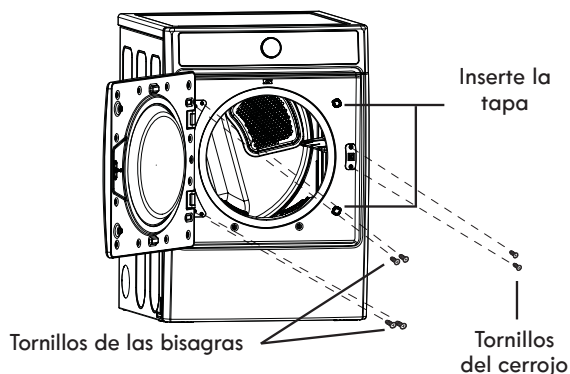
⚠️ ADVERTENCIA:

LA PUERTA DE LA SECADORA ES MUY GRANDE Y PESADA. Si no se siguen las instrucciones que se indican a continuación, se pueden producir daños en la secadora, daños materiales o lesiones personales.

- Para evitar daños a la secadora o la puerta, sostenga la puerta con un banco o una caja del tamaño adecuado o busque a otra persona que le ayude a sostenerla.
- Voltee la puerta ANTES de montar la secadora sobre la lavadora.
- Tenga cuidado de no dejar caer la puerta para evitar daños en ella o el piso.



- 1 Abra la puerta de la secadora.
- 2 Con un destornillador Phillips, saque los dos tornillos del cerrojo y retire el cerrojo.
- 3 Para sacar las dos tapas que están arriba y abajo del cerrojo, gírelas ligeramente hacia la derecha.
- 4 Mientras sostiene la puerta, saque los cuatro tornillos de las bisagras.
- ⚠️ **PRECAUCIÓN:** Asegúrese de que puede sostener el peso de la puerta antes de retirar los tornillos de la bisagra.
- 5 Voltee la puerta con cuidado e instálela nuevamente en el lado opuesto, usando los tornillos que retiró en el paso 4.

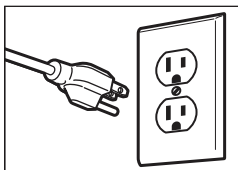


- 6 Instale el cerrojo de la puerta en la abertura que está en el lado desde el cual se retiró la puerta, usando los tornillos del paso 2.
- 7 Coloque nuevamente las tapas que retiró en el paso 3 en los orificios arriba y abajo del cerrojo en donde la puerta estaba colocada originalmente.
- 8 Verifique que la puerta funcione correctamente y asegúrese de que el cerrojo cierre bien.

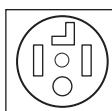
COMPROBACIÓN FINAL DE LA INSTALACIÓN

Una vez finalizada la instalación y colocada la secadora en su posición final, compruebe que la secadora funciona correctamente realizando los siguientes pasos y pruebas.

- 1 ¿Está ABIERTO el gas? (Sólo modelos de gas)
- 2 ¿Está enchufada la secadora? La secadora debe estar siempre enchufada a una toma de corriente adecuada.



Las secadoras de gas requieren una toma de corriente de 120 V de CA, 60 Hz y tres clavijas con toma de tierra.



Las secadoras requieren una conexión tetrafilar para las todas instalaciones realizadas en viviendas móviles o prefabricadas, así como en todas las nuevas construcciones a partir del 1 de enero de 1996.

-- O --



Conexión trifilar.
NOTA: NO se permiten las conexiones trifilares en nuevas construcciones a partir del 1 de enero de 1996.

- 3 ¿Está conectado el conducto de paso de la secadora a la pared? Asegúrese de que el conducto de transición situado detrás de la secadora esté correctamente conectado y no esté aplastado ni dañado.
- 4 ¿Está nivelada la secadora? Una vez situada la secadora en su posición final, vuelva a comprobar que la secadora esté nivelada. Asegúrese de que está nivelada de lado a lado y de adelante hacia atrás, y de que los cuatro pies de nivelación se apoyan firmemente sobre el suelo.
- 5 ¿Se calienta normalmente la secadora? Realice la siguiente prueba de calentamiento de la secadora.

Prueba de calentamiento de la secadora

- 1 Cierre la puerta de la secadora.
- 2 Presione el botón POWER para encender la secadora.
- 3 Gire el mando del selector de ciclo hasta el ciclo de secado normal.
- 4 Presione START/PAUSE para poner en funcionamiento la secadora. Después de tres minutos, abra la puerta de la secadora y compruebe si el aire del interior está tibio.

NOTA: Si después de tres minutos, el aire dentro de la secadora no está tibio, es posible que haya aire en la línea de suministro de gas hacia la secadora y que el encendedor de gas se esté apagando antes de encender el quemador principal. Si esto sucede, el encendedor seguirá tratando de encender el quemador principal hasta que haya salido todo el aire de la línea. Cuando ocurra el encendido, se calentará el aire en el interior de la secadora.

MODELOS DE GAS

Cierre la puerta de la secadora, presione el botón POWER para encenderla e inicie el equipo en un ajuste de calor. Cuando la secadora inicie, el dispositivo de ignición deberá encender el quemador principal.

MODELOS ELÉCTRICOS

Cierre la puerta de la secadora, presione el botón POWER para encenderla e inicie el equipo en un ajuste de calor. El aire de escape deberá estar tibio después de que la secadora haya funcionado durante 3 minutos.

Revisión del flujo de aire

El funcionamiento efectivo de la secadora requiere de un flujo de aire adecuado. La adecuación del flujo de aire puede medirse evaluando la presión estática. La presión estática del conducto de escape se puede medir con un manómetro, colocado en el conducto de escape a aproximadamente 2 pies (60,9 cm) de distancia de la secadora. La presión estática del conducto de escape no debe superar las 0,6 pulgadas (1,5 cm). Se debe revisar la secadora mientras está funcionando sin carga.

Revisión de nivelado

Una vez que la secadora se encuentre en su ubicación definitiva, vuelva a revisar que esté nivelada. Asegúrese de que está nivelada de adelante hacia atrás y de lado a lado, y de que las cuatro patas niveladoras estén firmemente asentadas en el piso.

Comprobación de la ventilación

Debe comprobarse si hay acumulaciones de pelusa en el conducto de ventilación y limpiarlo al menos una vez al año. Si se produce cualquier reducción apreciable en el rendimiento del secado, compruebe los conductos en busca de obstrucciones y bloqueos.

PRUEBA DE INSTALACIÓN (REVISIÓN DE CONDUCTOS)

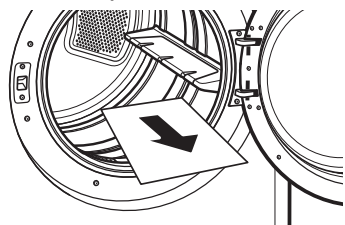
Después de completar la instalación de la secadora, haga esta prueba para asegurarse de que las condiciones del sistema de escape sean las adecuadas para el funcionamiento correcto de la secadora. Esta prueba debe realizarse para indicarle si existe algún problema grave en el sistema de escape de su casa.

Su secadora cuenta con CHECK VENT, un sistema innovador que detecta automáticamente los bloqueos y las restricciones en los conductos de la secadora. Mantener los conductos sin acumulación de pelusa y sin restricciones le permitirá secar la ropa más rápido y reducir el uso de energía.

NOTA: La secadora debe estar fría antes de comenzar esta prueba. Si la secadora se calentó durante la instalación, ejecute el ciclo AIR DRY durante unos minutos para reducir la temperatura interna.

Para activar la prueba de instalación:

- 1 Retire la rejilla de secado y la documentación, y cierre la puerta.**
No cargue nada en el tambor para hacer esta prueba, ya que podría influir en la precisión de los resultados.



- 2 Pulse el botón Encendido (Power), y luego pulse y mantenga pulsado Temp y aviso sonoro (Chime) más de 0,5 segundos.** Esta secuencia de botones activa el test de instalación. El código **Ins** aparecerá en la pantalla de visualización si la activación se ha realizado con éxito.



- 3 Presione el botón START/PAUSE.**
La secadora iniciará la prueba, que durará cerca de 2 minutos. Se encenderá el calor y se medirán las temperaturas en el tambor.



- 4 Verifique la pantalla para ver los resultados.**
Durante el ciclo de prueba, observe la pantalla de CHECK VENT en el panel de control. Si el LED no parpadea al final del ciclo, el sistema de escape está en condiciones adecuadas. Si el sistema de escape está notoriamente restringido, el CHECK VENT LED parpadea. Haga revisar el sistema de inmediato, ya que el funcionamiento será deficiente.



No parpadea:
Adecuado



Parpadea:
Restringido

Si existen otros problemas, estos se indicarán con códigos de error. Consulte el cuadro para ver más detalles sobre los códigos de error y sus soluciones

- 5 Fin del ciclo.**
Al final del ciclo de prueba, se visualizará **End**. El ciclo de prueba terminará y la secadora se apagará de forma automática después de una breve pausa.



Verifique el código de error antes de llamar al servicio técnico.

Código de error	Causas posibles	Soluciones
iE1 o iE2	Falla del sensor de temperatura	Apague la secadora y llame al servicio técnico.
HS	Falla del sensor de humedad	Apague la secadora y llame al servicio técnico.
PS o PF o nP	<ul style="list-style-type: none"> El cable de alimentación de la secadora eléctrica no está conectado correctamente o el suministro eléctrico de la casa no es el correcto. Se ha quemado el fusible de la casa, se ha disparado el disyuntor o ha habido un corte de energía. 	<ul style="list-style-type: none"> Verifique el suministro de energía o la conexión del cable de alimentación con el bloque de bornes. Consulte la sección Conexión de secadoras eléctricas de este manual para obtener instrucciones detalladas. Restablezca el disyuntor o reemplace el fusible. No aumente la capacidad del fusible. Si el problema es una sobrecarga del circuito, solicite los servicios de un electricista calificado.

Verifique las condiciones del conducto.

Si el LED de CHECK VENT está encendido, revise el sistema de escape para verificar que no haya restricciones ni daños. Repare o reemplace el sistema de escape según sea necesario.

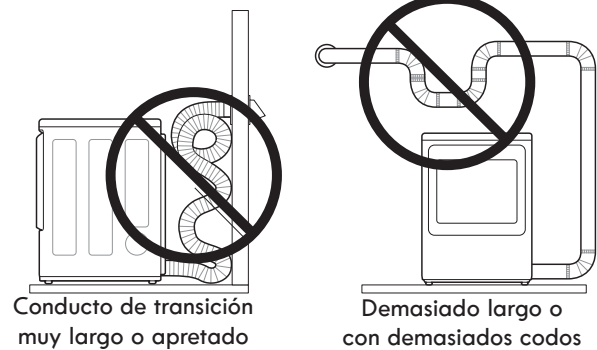
NOTA: Cuando recién se instale la secadora, debe realizarse esta prueba para que esté informado acerca de la presencia de cualquier problema relacionado con el conducto de escape de su casa. Sin embargo, puesto que la prueba realizada durante un funcionamiento normal ofrece información más precisa sobre el estado del conducto de escape que la prueba de instalación, la cantidad de barras visualizadas durante las dos pruebas puede no ser la misma.

No interrumpa el ciclo de prueba, ya que si lo hace, la prueba puede arrojar resultados inexactos.

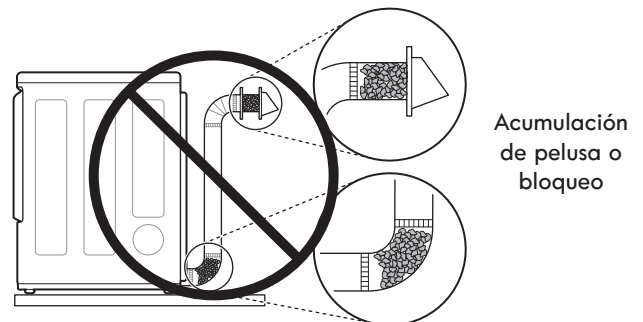
Aunque no se haya visualizado ninguna barra durante el ciclo de prueba, aún puede haber restricciones en el sistema de escape. Consulte la sección Ventilación de la secadora de este manual para obtener detalles sobre el sistema de escape y los requisitos de ventilación.

FLUJO DE AIRE RESTRINGIDO O BLOQUEADO

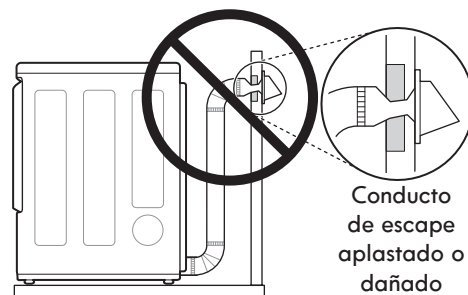
Evite tendidos largos o con muchos codos o curvas.



Compruebe la presencia de bloqueos y acumulación de pelusa.

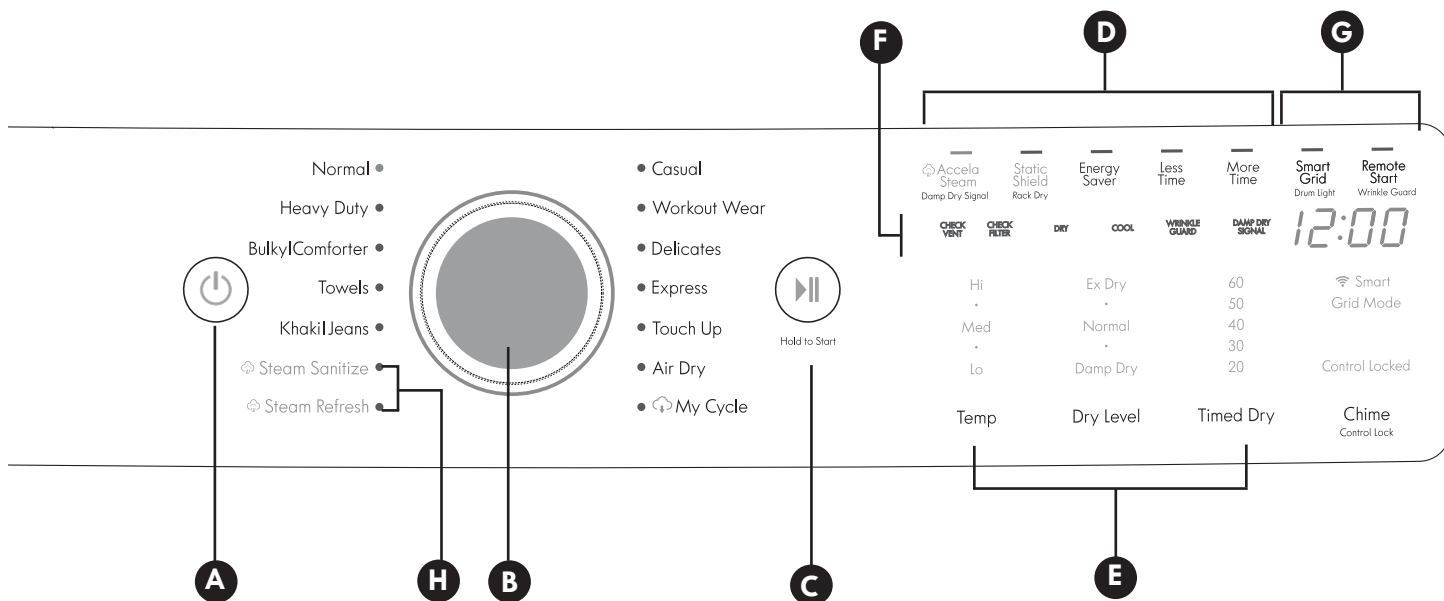


Asegúrese de que los conductos no estén aplastados ni restringidos.



! ADVERTENCIA: Para reducir el riesgo de incendio, descarga eléctrica o lesiones personales, lea completamente este manual, incluyendo las instrucciones importantes sobre seguridad, antes de poner en funcionamiento la secadora.

FUNCIONES DEL PANEL DE CONTROL



A BOTÓN POWER (ENCENDER/APAGAR)

Presione este botón para ENCENDER la secadora. Presiónelo de nuevo para APAGAR la secadora. Al presionar el botón POWER durante un ciclo, se cancelará dicho ciclo y cualquier ajuste de carga se perderá.

B PERILLA DEL SELECTOR DE CICLO

El mando del selector de ciclo se utiliza para seleccionar el ciclo de secado deseado girándolo en cualquier sentido hasta que el LED ilumine dicho ciclo. Una vez seleccionado el ciclo deseado, se mostrarán en pantalla los ajustes estándar para dicho ciclo. Estos ajustes pueden cambiarse utilizando los botones modificadores de ciclo o de opción en cualquier momento antes de que el ciclo comience .

C BOTÓN START/PAUSE (INICIAR/PAUSA)

Presione este botón para iniciar el ciclo seleccionado. La pantalla cambiará y la secadora mostrará el tiempo restante estimado (SECADO AUTOMÁTICO) o ajustado (SECADO MANUAL) y comenzará a girar. Para detener temporalmente el ciclo en cualquier momento, abra la puerta de la secadora o presione el botón START/PAUSE. Para reanudar el ciclo desde el punto en que se detuvo, presione de nuevo el botón START/PAUSE.

NOTA: Si la secadora ha estado detenida durante más de 60 minutos, se apagará automáticamente.

D BOTONES DE OPCIÓN

Los botones de opción le permitirán seleccionar las opciones utilizadas para el ciclo. Algunos botones de opción tienen funciones secundarias. Los controles se pueden bloquear o desbloquear manteniendo presionado el botón CHIME (aviso sonoro) durante cinco segundos.

E BOTONES MODIFICADORES DE CICLO

Utilice estos botones para definir los ajustes del ciclo seleccionado. Los indicadores luminosos ubicados sobre los botones muestran la selección actual. El ajuste predeterminado de temperatura no se puede cambiar en los ciclos de SECADO AUTOMÁTICO. Los ciclos de SECADO AUTOMÁTICO se pueden modificar utilizando el botón DRY LEVEL (nivel a secado).

F PANTALLA DE TIEMPO Y ESTADO

La pantalla muestra el tiempo restante estimado para los ciclos automáticos y el tiempo que ha transcurrido para los ciclos manuales. También se indica el estado del ciclo. El indicador de CHECK VENT (comprobación de ventilación) se encenderá si hay una obstrucción grave en el sistema de ventilación.

G SMART FUNCTIONS (FUNCIONES INTELIGENTES)

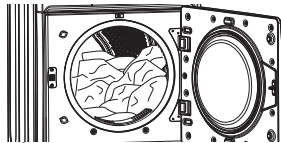
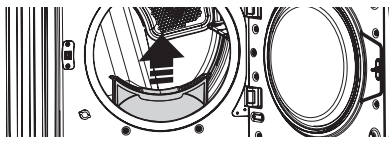
Reducir sus costos de energía al evitar tiempos de uso máximo, utilizando la función de SMART GRID (red inteligente). Controlar la secadora desde un lugar remoto a través de un teléfono inteligente y la función REMOTE START (encendido por control remoto). Consulte la página 68 en esta guía y el folleto que se entrega con la secadora para obtener más información.

H FUNCIONES CON VAPOR

Reducir sus costos de energía al evitar tiempos de El ciclo STEAM REFRESH (refrescado con vapor) utiliza un chorro de vapor en forma de remolino para refrescar la ropa. La opción de STATIC SHIELD (antiestática) también está disponible para la mayoría de los ciclos.

NOTA: Para proteger sus tejidos, no todos los ajustes se admiten en todos los ciclos.

FUNCIONAMIENTO DE LA SECADORA



- | | |
|-------------------|----------------|
| • Normal | • Casual |
| • Heavy Duty | • Workout Wear |
| • Bulky/Comforter | • Delicates |
| • Towels | • Express |
| • Khaki/Jeans | • Touch Up |
| • Steam Sanitize | • Air Dry |
| • Steam Refresh | • My Cycle |

- | | | | |
|------|-----------|-----------|----------------|
| Hi | Ex Dry | 60 | Smart |
| • | • | 50 | Grid Mode |
| Med | Normal | 40 | |
| • | • | 30 | |
| Lo | Damp Dry | 20 | Control Locked |
| Temp | Dry Level | Timed Dry | Chime |
| | | | Control Lock |

- | | | | | | | |
|-----------------|---------------|--------------|-----------|-----------|------------|---------------|
| — | — | — | — | — | — | — |
| Accela Steam | Static Shield | Energy Saver | Less Time | More Time | Smart Grid | Remote Start |
| Damp Dry Signal | Rock Dry | | | | Drum Light | Wrinkle Guard |



Hold to Start



1 CARGAR LA SECADORA

Cargue en la secadora la colada húmeda procedente de la lavadora. Si la carga es muy grande, deberá dividirla en cargas más pequeñas para obtener un buen rendimiento y proteger los tejidos.

2 LIMPIAR EL FILTRO DE PELUSAS

Si aún no ha limpiado el filtro de pelusas, extráigalo y elimine las pelusas procedentes de la última carga. De esta manera, se asegurará la máxima eficacia y rapidez del secado.

3 ENCENDER LA SECADORA

Presione el botón POWER para ENCENDER la secadora. Los LED de ciclo se iluminarán y se emitirá un aviso sonoro.

4 SELECCIONAR UN CICLO

Gire el mando del selector de ciclo en cualquier sentido hasta que se ilumine el LED del ciclo que desee. Se mostrarán los ajustes predefinidos de temperatura, nivel de secado y opción para este ciclo.

5 SELECCIONAR LOS MODIFICADORES DE CICLO

Los ajustes predeterminados para el ciclo seleccionado se pueden cambiar ahora si lo desea, utilizando los botones de TEMP (temperatura) y DRY LEVEL (nivel de secado).

NOTA: No todas las opciones y modificadores están disponibles para todos los ciclos. La temperatura sólo se puede ajustar para los ciclos de secado manual; el nivel de secado sólo está disponible para los ciclos de secado automático. Sonará un aviso sonoro diferente y el LED no se iluminará si no se permite una determinada selección.

6 SELECCIONAR LAS OPCIONES DE CICLO

Se pueden añadir opciones de ciclos utilizando los botones de opción tal como se muestra (Accela Steam, secado húmedo, antiestática, secado en rejilla, Energy Saver, y antiarrugas).

NOTA: No todas las opciones y modificadores están disponibles para todos los ciclos. Sonará un aviso sonoro diferente y el LED no se encenderá si no se permite una determinada selección.

7 INICIAR EL CICLO

Presione el botón START/PAUSE para que comience el ciclo. Se puede detener temporalmente el ciclo en cualquier momento abriendo la puerta o presionando el botón START/PAUSE. Si no se reanuda el ciclo en un intervalo de 60 minutos, la secadora se apagará y se perderán los ajustes del ciclo.

8 FIN DEL CICLO

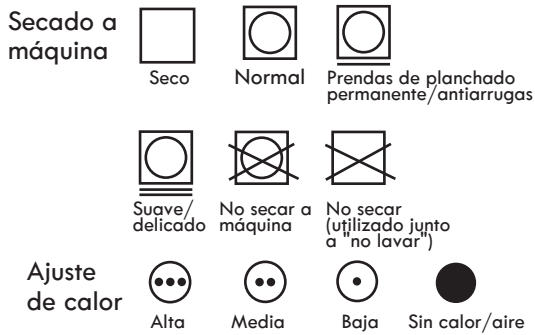
Al finalizar el ciclo, sonará un aviso sonoro. Retire inmediatamente la ropa de la secadora para reducir las arrugas. Si tiene seleccionada la función WRINKLE GUARD (ANTIARRUGAS), la secadora hará girar brevemente la carga cada cierto tiempo para evitar que se formen arrugas en la ropa.

! ADVERTENCIA: A fin de reducir el riesgo de incendio, descargas eléctricas o lesiones personales, antes de poner en funcionamiento este electrodoméstico, lea completamente este manual, incluidas las instrucciones importantes sobre seguridad.

CLASIFICACIÓN DE CARGAS

Etiquetas de cuidado de las prendas

La mayoría de las etiquetas de las prendas incluyen etiquetas con instrucciones sobre sus cuidados específicos.



Agrupación de prendas similares

Para obtener resultados óptimos, clasifique las prendas en cargas que puedan secarse mediante el mismo ciclo de secado.

Los distintos tejidos precisan diferentes cuidados y algunos se secarán más rápidamente que otros. Para obtener resultados óptimos, seque siempre juntos los tejidos que requieran cuidados similares.

CARGA DE LA SECADORA

! ADVERTENCIA: Para reducir el riesgo de incendio, descarga eléctrica o lesiones físicas al utilizar este electrodoméstico, siga estas precauciones básicas, entre las que se incluyen las siguientes:

- Compruebe que todos los bolsillos están vacíos. Objetos como clips, bolígrafos, monedas y llaves pueden dañar tanto la secadora como las prendas. Los objetos inflamables, como mecheros o cerillas, pueden prenderse y provocar un incendio. Si no se cumple con esto se podrá producir una explosión, incendio o muerte.
- No seque nunca prendas que hayan estado expuestas a aceite, gasolina o cualquier otra sustancia inflamable. El lavado de las prendas no eliminará completamente la presencia de residuos de aceite. Si no sigue esta advertencia, pueden ocasionarse incendios, explosiones o, incluso, peligro de muerte.

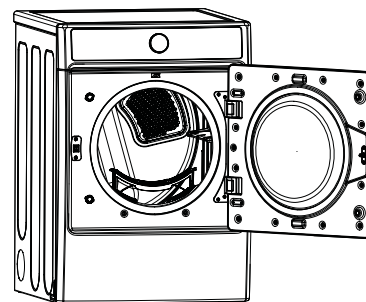
Consejos útiles para cargar la secadora

- Mezcle prendas grandes y pequeñas en la misma carga.
- Las prendas húmedas aumentarán de volumen al secarse. No cargue en exceso la secadora: las prendas requieren espacio para girar y secarse adecuadamente.
- Cierre cremalleras, broches y cordones para evitar enganches o enredos en otras prendas.

COMPROBAR EL FILTRO DE PELUSAS ANTES DE CADA CARGA

Cada vez que se enciende la secadora, la luz del indicador CHECK FILTER se enciende para recordarle que debe asegurarse de que el filtro está limpio. Asegúrese siempre de que el filtro de pelusas está limpio antes de secar una nueva carga; un filtro de pelusas obstruido incrementará los tiempos de secado. Para limpiarlo, tire del filtro hacia arriba y elimine cualquier pelusa adherida al filtro con los dedos. No enjuague ni lave el filtro para eliminar la pelusa. Presione firmemente el filtro de pelusas para devolverlo a su lugar.

Asegúrese siempre de que el filtro de pelusas está instalado correctamente antes de poner la secadora en funcionamiento. Si se pone en funcionamiento la secadora sin el filtro de pelusas o sin encajarlo correctamente, la secadora o las prendas que contiene podrían resultar dañadas.



GUÍA DE CICLOS

La siguiente guía de ciclos muestra las opciones disponibles y los tipos de tejidos recomendados para los ciclos de secado automático.

***NOTA:** El tiempo predeterminado y real variarán dependiendo del tamaño de la carga y su contenido de humedad.

Ciclos de secado automático

Los ciclos de secado automático utilizan un sensor que detecta los niveles de humedad en las prendas y ajusta el tiempo de secado necesario para obtener resultados óptimos. La secadora ajusta automáticamente el nivel de secado y la temperatura en los valores recomendados para cada ciclo. El tiempo estimado restante aparecerá en la pantalla.

● = opción disponible

■ = ajuste predeterminado

Tipo	Ciclo	Tipo de tejido	Modificadores			Opciones				
			Temperatura	Nivel de secado	Más/menos tiempo	Anti-arrugas	Secado húmedo	Anti-estática	Accela Steam	Energy Saver
SECADO AUTOMÁTICO	Normal	Ropa de trabajo, etc.	Media	Normal		●	●	●	●	●
				Ajustable						
	Heavy Duty (muchísima suciedad)	Vaqueros, prendas pesadas	Alta	Normal		●	●	●	●	
				Ajustable						
	Bulky/Comforter (prendas voluminosas y de cama)	Colchas, almohadas, camisas	Media	Normal				●		
				Ajustable						
	Towels (Toallas)	Toallas, camisas, sábanas, tejanos, coladas mixtas	Medio alto	Normal		●	●	●		
				Ajustable						
	Khaki/J Jeans (caqui o pantalones vaqueros)	pantalones vaqueros o decoloración de material	Media	Auto		●		●		
	Steam Sanitize (Desinfectar con vapor)	Colchas, ropa de cama, ropa de niños, etc.	Alta	Auto		●			■	
Steam Refresh (Refrescado con vapor)	Colchas, camisas, pantalones, 1-5 prendas (NO utilice para tejidos delicados)	Medio alto	Auto	Número de prendas	●			■		
			Ajustable							
Casual (Ropa informal)	Prendas de planchado permanente y sintéticas	Medio bajo	Normal		●	●	●	●		
			Ajustable							
Workout Wear (Ropa de ejercicio)	Ropa de ejercicio	Auto	Auto		●		●			
Delicates (Prendas delicadas)	Ropa interior, sábanas, blusas	Medio bajo	Normal		●	●	●			
			Ajustable							
Small Load (Carga pequeña - predeterminado para My Cycle)	Sólo tejidos normales y de algodón/toallas (3 libras máximo)	Alta	Normal		●					
			Ajustable							

NOTA: Para proteger sus prendas, no todos los niveles de secado, temperatura y opciones están disponibles para todos los ciclos. Los ajustes de temperatura no se pueden modificar. Sonará un aviso sonoro diferente y el LED no se iluminará o la selección no cambiará si no se permite la selección.

NSF CERTIFICADO POR NSF

NSF International (anteriormente, National Sanitation Foundation, Fundación Nacional de Saneamiento), certifica que el ciclo de desinfección STEAM SANITIZE reduce el 99,9% de las bacterias presentes en la colada y que no se transmitirá ninguna bacteria a la siguiente carga.

- Los ajustes predeterminados para el ciclo STEAM SANITIZE son temperatura ALTA y secado MUY SECO. Estos ajustes predeterminados no se pueden cambiar.
- NO utilice este ciclo para prendas o tejidos delicados.
- No se puede añadir vapor al ciclo STEAM SANITIZE.

GUÍA DE CICLOS

La siguiente guía de ciclos muestra las opciones disponibles y los tipos de tejidos recomendados para los ciclos de secado manual.

Ciclos de secado manual

Utilice los ciclos de secado manual para seleccionar un tiempo y temperatura de secado específicos. Al seleccionar el ciclo de SECADO MANUAL, la pantalla muestra el tiempo que queda para que termine el ciclo.

Puede cambiar el tiempo del ciclo presionando los botones MORE TIME (más tiempo) o LESS TIME (menos tiempo) para aumentar o reducir el tiempo, respectivamente. Mantenga presionado cualquiera de estos botones para que el tiempo cambie a mayor velocidad.

● = opción disponible

■ = ajuste predeterminado

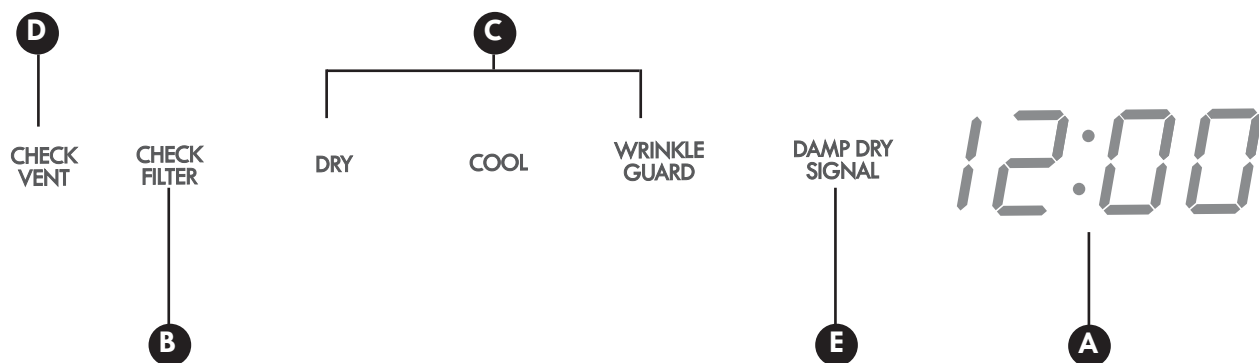
Tipo	Ciclo	Tipo de tejido	Modificadores			Opciones				
			Temperatura	Nivel de secado	Más/ menos tiempo	Anti-arrugas	Secado húmedo	Anti-estática	Accela Steam	Energy Saver
SECADO MANUAL	Express Dry (Secado rápido)	Para cargas pequeñas con tiempos de secado breves	Alta	Desac	●	●		●		
			Ajustable							
	Touch Up (Retocar)	Para eliminar pequeñas arrugas	Medio alto	Desac	●	●		●		
			Ajustable							
	Air Dry (Secado con aire)	Para prendas que deben secarse sin calor, como plásticos o goma	Desac	Desac	●	●				
	Timed Dry* (Secado manual)	Para secado general. El tiempo, la temperatura y las opciones se pueden fijar manualmente	Alta	Desac	●	●		●		
			Ajustable							
	Rack Dry* (Secado en rejilla)	Suéteres de lana, la seda, la ropa interior	Desac	Desac	●					
			Ajustable							

NOTA: Para proteger sus prendas, no todos los niveles de temperatura y opciones están disponibles para todos los ciclos. Los ajustes de temperatura no se pueden modificar. Sonará un aviso sonoro diferente y el LED no se iluminará si no se permite una determinada selección.

*Para tener acceso al ciclo de secado manual, presione el botón de Secado manual en el campo Cycle Modifiers (Modificadores de ciclos) del panel de control. Para tener acceso al ciclo de RACK DRY (secado en rejilla), mantenga pulsado el botón STATIC SHIELD (antiestática) durante tres segundos.

PANTALLA DE TIEMPO Y ESTADO

La pantalla de tiempo y estado muestra el tiempo restante estimado, el proceso del ciclo y el estado de ventilación. Al encender la secadora, la pantalla se iluminará.



A PANTALLA DE TIEMPO

Al seleccionar un ciclo, la pantalla indicará el tiempo predeterminado para dicho ciclo incluidos los ajustes o las opciones seleccionadas. En los ciclos de secado automático, se estimará el tiempo restante y es posible que cambie durante el ciclo, en función de las condiciones de la carga. En el secado manual, se mostrará exactamente el tiempo que falta para que finalice el ciclo.

B INDICADOR DEL FILTRO DE PELUSAS

El indicador CHECK FILTER se enciende antes de cada carga, para recordarle que compruebe el filtro de pelusas. Limpie siempre el filtro de pelusas antes de cada ciclo.

C INDICADORES DE ESTADO DEL CICLO

Esta sección de la pantalla muestra la fase del ciclo en curso (DRY, COOL o WRINKLE GUARD) (Secar, enfriar o antiarrugas).

D INDICADOR DE CONTROL DE VENTILACIÓN (SISTEMA DE DETECCIÓN DE BLOQUEO DEL CONDUCTO)

El sistema de detección de bloqueo del conducto CHECK VENT detecta y alerta sobre la existencia de obstrucciones en el sistema de ventilación que reduzcan el flujo de ventilación de la secadora. El que este indicador esté encendido no significa que su secadora tenga algún problema. Si este indicador parpadea, significa que el sistema de ventilación de su vivienda tiene una obstrucción grave, que no está cubierta por la garantía de su secadora.

E DAMP DRY SIGNAL (SECADO HÚMEDO)

Si presiona la secado húmedo, la secadora emitirá un aviso sonoro cuando falte poco para que la ropa esté totalmente seca, en caso de que desee sacarla de la secadora para plancharla o colgarla para secar.

BOTONES MODIFICADORES DE CICLO

Cada ciclo dispone de ajustes predeterminados que se seleccionan automáticamente. También puede personalizar estos ajustes utilizando los botones modificadores de ciclo.

Los ciclos de **SECADO AUTOMÁTICO** están diseñados para el cuidado específico de ciertos tejidos y cargas. Por lo tanto, no todos los ajustes están disponibles para todos los ciclos.

Los ciclos de **SECADO MANUAL** disponen de ajustes predeterminados, pero también puede cambiar el ajuste de temperatura y añadir opciones.

Los ajustes no tienen limitaciones en la mayoría de los ciclos de secado manual. Para evitar posibles daños a las prendas, tenga cuidado al ajustar las opciones y los modificadores de estos ciclos.

NOTA: Para proteger sus prendas, no todos los niveles de secado, temperatura y opciones están disponibles para todos los ciclos.



A TEMP (CONTROL DE TEMPERATURA)

Ajuste la temperatura de LOW a HIGH (BAJO a ALTO). De esta manera, puede cuidar con precisión sus prendas y tejidos. Presione repetidamente el botón TEMP para desplazarse entre los ajustes disponibles. El ajuste de temperatura no puede modificarse en los ciclos de secado automático.

B DRY LEVEL (NIVEL DE SECADO)

Selecciona el nivel de secado para el ciclo de secado automático seleccionado. Presione repetidamente el botón DRY LEVEL para desplazarse entre los ajustes disponibles. Utilice este botón para ajustar el nivel de secado de las prendas de la carga.

- Esta opción no está disponible para los ciclos de secado manual.
- La secadora ajustará automáticamente el tiempo de duración del ciclo. Si selecciona EXTRA DRY o MORE DRY (muy seco o más seco), aumentará el tiempo del ciclo y el nivel de secado, mientras que LESS DRY o DAMP DRY (menos seco o seco húmedo) reducirá el tiempo del ciclo y el nivel de secado.
- Utilice los ajustes LESS DRY o DAMP DRY (menos seco o seco húmedo) para prendas que desee planchar o colgar para acabar de secar.

C TIMED DRY (SECADO MANUAL)

Le permite seleccionar manualmente el tiempo de secado en incrementos de 10 minutos. Utilice este ciclo para cargas pequeñas o para eliminar arrugas. Utilice los botones MORE TIME/LESS TIME (más tiempo/menos tiempo) para aumentar o reducir el tiempo de secado seleccionado en incrementos de 1 minuto. Mantenga presionado cualquiera de estos botones para que el tiempo cambie a mayor velocidad.

D CHIME (AVISO SONORO)

Ajuste el volumen del aviso sonoro o apáguelo. Presione repetidamente el botón hasta que se ilumine el volumen deseado.

OPCIONES DE CICLOS Y FUNCIONES ESPECIALES

La secadora incluye varias funciones especiales y opciones adicionales para los ciclos para adaptarse a sus necesidades particulares. Para conocer todas las funciones de vapor, consulte las páginas siguientes.

WRINKLE GUARD (ANTIARRUGAS)

Si selecciona esta opción, la secadora continuará girando con las prendas en su interior durante unos segundos cada pocos minutos sin calentarlas. Esta opción permanecerá activa durante 180 minutos una vez finalizado el ciclo o hasta que se abra la puerta. Esta opción ayuda a evitar las arrugas que se producen en las prendas si no se retiran inmediatamente una vez terminado el ciclo. Presione y mantenga pulsado el botón REMOTE START durante tres segundos para seleccionar esta opción.

CONTROL LOCK (BLOQUEO DE LOS CONTROLES)

Utilice esta opción para desactivar los controles. Todos los controles quedarán deshabilitados. Una vez activada, la función CONTROL LOCK (BLOQUEO DE CONTROLES) deberá desactivarse para que puedan volver a usarse los controles. Luego de que se haya cerrado la secadora, el botón de encendido permitirá que se encienda la secadora, pero los controles permanecerán bloqueados. Cuando los controles estén bloqueados, se visualizará "CL", en forma alternada con el tiempo restante estimado. Presione y sostenga el botón CHIME (AVISO SONORO) durante tres segundos, para bloquear o desbloquear los controles.

DAMP DRY SIGNAL (SECADO HÚMEDO)

Si presiona la secado húmedo, la secadora emitirá un aviso sonoro cuando falte poco para que la ropa esté totalmente seca, en caso de que desee sacarla de la secadora para plancharla o colgarla para secar. Presione y mantenga pulsado el botón ACCELA STEAM durante tres segundos para seleccionar esta opción.

DRUM LIGHT (ILUMINACIÓN DEL TAMBOR)

El tambor está equipado con una luz LED azul que se ilumina cuando la secadora es encendida. La luz se apaga automáticamente cuando la puerta se cierra y el ciclo inicia.

Para encender la luz durante el ciclo, presione y mantenga sostenido el botón de SMART GRID (Red Inteligente) durante tres segundos. La luz del tambor se iluminará y luego se apagará automáticamente después de 60 minutos.

MY CYCLE (MI CICLO)

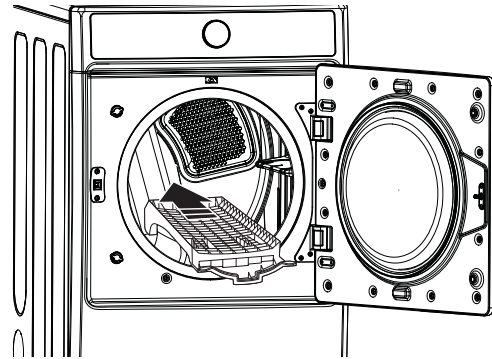
La función MY CYCLE le permite descargar nuevas y especializadas ciclos que no están incluidos en los ciclos estándar en el aparato.

Después de registrarse exitosamente el aparato con la aplicación Kenmore Smart, se puede descargar una variedad de ciclos específicos de la especialidad en el aparato.

Sólo un ciclo puede ser almacenado en la posición MY CYCLE en el aparato a la vez. Una vez que haya descargado un ciclo en el aparato, se almacena hasta que descargue un nuevo MY CYCLE. El valor predeterminado para MY CYCLE es SMALL LOAD (carga pequeña).

NOTA: Primero debe conectarse a una red Wi-Fi y registrar el aparato con el fin de utilizar la función MY CYCLE.

INSTALACIÓN Y USO DE LA REJILLA DE SECADO OPCIONAL



- 1 Con la puerta de la secadora abierta, deslice la rejilla en el tambor de secado.
- 2 Asegúrese de que la parte frontal de la rejilla encaje correctamente en la cavidad en la base del filtro para pelusas en la parte frontal del tambor. Las dos patas posteriores de la rejilla deben descansar sobre la pared posterior encima del tambor.
- 3 Coloque en la rejilla las prendas que va a secar. Asegúrese de que ninguna parte de las prendas quede colgando fuera de los bordes de la rejilla, pues podría entrar en contacto con el tambor que está girando, lo que produciría ruido o podría dañar el tambor o la prenda.

NOTA: Asegúrese de retirar la rejilla de secado después de usar el ciclo de RACK DRY (SECADO EN REJILLA).

Uso del ciclo RACK DRY (SECADO EN REJILLA):

Use el ciclo RACK DRY (SECADO EN REJILLA) con artículos tales como suéteres de lana, sedas, y lencería, que se deberían secar en posición horizontal. También se puede usar RACK DRY (SECADO EN REJILLA) con artículos que no deben secarse girando, tales como calzado deportivo o animales de peluche.

- 1 Mantenga pulsado el botón STATIC SHIELD (antiestática) durante tres segundos para acceder al ciclo RACK DRY (secado en rejilla).
- 2 Presione el botón TEMP para seleccionar las opciones de temperatura de Low (bajo) o Med. Low (medio bajo). Si selecciona la temperatura, el ciclo funcionará de manera predeterminada sin calor.

FUNCIONES DE VAPOR

⚠️ ADVERTENCIA:

- No abra la secadora durante los ciclos de vapor. El vapor puede provocar quemaduras graves.
- No toque la boquilla de vapor en el tambor durante el ciclo de vapor o después de finalizado el mismo.

NOTAS IMPORTANTES SOBRE LAS FUNCIONES DE VAPOR:

- Es posible que el vapor sea claramente visible durante las funciones de vapor. Esto es normal.
- No use la función REFRESCADO CON VAPOR con prendas de lana, cobijas de lana, chaquetas de cuero, seda, ropa húmeda, lencería, productos de goma espuma o mantas eléctricas.
- Para mejores resultados, coloque prendas con un tamaño y tipo de tejido similares. No coloque ropa en exceso.
- Si el sistema de ventilación de la vivienda está obstruido, disminuirá el rendimiento de las funciones de vapor.
- Durante la operación con vapor, la ropa girará solo unos pocos segundos cada minuto.
- El alimentador de vapor se debe llenar con agua hasta la línea MAX. De lo contrario, se podría iluminar el indicador ADD WATER.

Uso del Ciclo STEAM SANITIZE

El ciclo STEAM SANITIZE (Desinfectar con vapor) es idóneo para la higienización rápida y sencilla de elementos que no pueden lavarse, utilizando sólo el poder del vapor. Recomendamos utilizar este ciclo para tejidos de algodón y poliéster. (NO use para espuma de uretano, plumas o prendas delicadas).

Uso del Ciclo STEAM REFRESH

El ciclo STEAM REFRESH (Refrescado con vapor) usa la fuerza del vapor para reducir rápidamente las arrugas y olores en los tejidos. Revive la ropa arrugada que ha estado guardada por largo tiempo y facilite el planchado de prendas muy arrugadas. STEAM REFRESH también se puede usar para reducir los olores de la ropa, por ejemplo cuando se usaron las prendas en una sala donde las personas estuvieron fumando. Este ciclo puede refrescar de una a cinco prendas o una prenda voluminosa, por ejemplo una colcha. Están disponibles cuatro niveles. Use **1** para una prenda. Use **3** para una a tres prendas y **5** para cuatro a cinco prendas. El **big** nivel grande (big) se debe usar para prendas voluminosas. Se obtienen mejores resultados con tejidos de mezcla 70/30 de algodón/poliéster.

- 1 ENCIENDA la secadora y seleccione el ciclo STEAM REFRESH (refrescado con vapor).
- 2 Seleccione la opción STATIC SHIELD (antiestática) si lo desea.
- 3 El número predeterminado de prendas es tres. Presione el botón MORE TIME o LESS TIME (más/menos tiempo) para ajustar el tamaño de la carga como ya se describió.
- 4 Presione el botón START/PAUSE para que comience el ciclo.

Uso de la opción STATIC SHIELD (ANTIESTÁTICA)

Esta opción utiliza el vapor más tarde en el ciclo de secado para reducir la electricidad estática producida por la fricción entre los tejidos secos. Cambie el tiempo de vapor presionando los botones MORE TIME y LESS TIME (más tiempo y menos tiempo) hasta presentar en pantalla el número aproximado de prendas en la carga: 7, 9, 11, 14, 16 ó 18.

NOTA: Cuando se añade STATIC SHIELD (antiestática) a los ciclos de secado automático, el nivel de LESS DRY (menos seco) y DAMP DRY (seco húmedo) no se puede seleccionar.

ACCELA STEAM

La tecnología ACCELA STEAM crea más vapor en menos tiempo que la tecnología de vapor convencional. ACCELA STEAM ayuda a reducir la contracción y las arrugas que resultan del secado excesivo de la ropa mediante la inyección de vapor durante el proceso de secado. Esta función se utiliza de manera predefinida en los ciclos de vapor, pero también se puede agregar a los ciclos estándar de NORMAL, HEAVY DUTY y CASUAL.

Agregando vapor a un ciclo estándar

- 1 ENCIENDA la secadora y seleccione el ciclo NORMAL, CASUAL (ropa informal) o HEAVY DUTY (mucho suciedad).
- 2 Use los botones modificadores de ciclo para cambiar los ajustes del ciclo.
- 3 Presione el botón ACCELA STEAM.
- 4 Presione el botón START/PAUSE para que comience el ciclo.

GUÍA DE CICLOS DE VAPOR

Ciclo	Vapor	Control temp.	Nivel de secado	Estado de tela	Tipo de tela	Cantidad máx.
Steam Sanitize (Desinfectar con vapor)				seca	camisas, ropa de cama	camisa (1 cada)
					ropa de niños	3 lb
Steam Refresh (Refrescado con vapor)		●		seca	edredón	camisa (1 cada)
					camisas*	5 cada
Secado automático + Opción de vapor	+ Static Shield		●	mojada	varía según el ciclo seleccionado	8 lb (18 artículos)
	+ Accela Steam		●	mojada	varía según el ciclo seleccionado	8 lb (18 artículos)
Timed Dry	+ Static Shield	●		mojada	varía según el ciclo seleccionado	8 lb (18 artículos)

* Camisa: mezcla de 70% algodón / 30% poliéster. Excepto telas especialmente delicadas.

- Cuando se tapan el filtro de pelusas o el conducto de salida, las opciones de vapor no darán los resultados adecuados.
- Para mejores resultados, las prendas deben ser de tamaños y de tipos de tela similares. No sobrecargue la secadora.

NOTA:

- Cuando se selecciona Secado Automático con la opción STATIC SHIELD (antiestática) o Accela Steam, no puede seleccionarse DRY LEVEL (nivel de secado) de LESS (menos) o DAMP (húmedo).
- La opción STATIC SHIELD (antiestática) también pueden seleccionarse durante los ciclos manual.
- Después de seleccionar la opción vapor en Timed Dry, los botones MORE TIME (más tiempo) o LESS TIME (menos tiempo) cambiarán el tiempo de vapor ÚNICAMENTE.
- Después de presionar START/PAUSE (inicio/pausa), los botones MORE TIME (más tiempo) o LESS TIME (menos tiempo) no funcionarán.

FUNCIONES INTELIGENTES

CÓMO CONECTARSE

Necesita los siguientes dispositivos y aplicaciones para utilizar la Smart Grid (red inteligente) y otras funciones inteligentes de su secadora.

Dispositivos Requeridos: Un enrutador inalámbrico, secadora inteligente a Kenmore Elite, y un dispositivo móvil.

Aplicación Requerido: Kenmore Smart App

IMPORTANTE: Debe descargar la aplicación de Kenmore Smart en su dispositivo móvil, conectar su electrodoméstico Kenmore Smart al internet y luego registrarlo en su cuenta a manera de usar la función Smart Grid.

Para Conectar la Secadora al Internet

Haga referencia a la Guía de Inicio Rápido que vino con su electrodoméstico inteligente para instrucciones detalladas sobre la creación de una cuenta Kenmore y el ajuste de su electrodoméstico para operaciones conectadas desde su teléfono inteligente. Para asistencia adicional, visite <http://www.kenmore.com/smart>

SMART GRID (RED INTELIGENTE)

Reducir sus costos de energía de lavandería, evitando los picos de uso, con la información suministrada por su compañía eléctrica local.

NOTA: Cuando se habilita la Smart Grid (red inteligente), es posible que experimenta retrasos o tiempos de ciclo extendido durante horas pico. Para lavar la ropa durante los períodos pico de uso sin ninguna demora, consulte la información siguiente para cancelar la función de red inteligente.

Instrucciones de Smart Grid:

- 1 La función Smart Grid se activa inicialmente. Presione el botón SMART GRID una vez para desactivar la función. Una vez que se establece la función, los ajustes se mantienen incluso cuando el aparato está apagado.

- 2 Presione el botón SMART GRID antes de que comience el ciclo, para cancelar la función por completo. La luz LED de Smart Grid (azul) se apagará.
- 3 Presione el botón SMART GRID durante el ciclo, para cancelar el función sólo para ese ciclo. La luz LED de Grid Mode (roja) se apagará y Smart Grid será cancelada por el ciclo en el proceso. Smart Grid se reanudará para el siguiente ciclo.

REMOTE START (INICIO REMOTO)

Controle su electrodoméstico remotamente desde su teléfono inteligente.

NOTA: Para un mejor rendimiento y para proteger sus prendas, esta función sólo se puede utilizar con ciertos ciclos y opciones. Primero debe cerrar la puerta y conectar al internet para utilizar esta función.

Uso de la función Remote Start:

- 1 Seleccione un ciclo y las opciones.
- 2 Presione el botón REMOTE START. La luz LED de Remote Start LED se encenderá.
- 3 Utilice la aplicación de teléfono inteligente para iniciar la secadora. (Para más información, consulte el folleto suministrado con la secadora.) Si no se empieza la secadora de forma remota, la secadora esperar para comenzar el ciclo hasta que se pulsa el botón START.

MY CYCLE (MI CICLO)

Utilice la función Mi Ciclo en la aplicación de Kenmore Smart para seleccionar y descargar un ciclo adicional a la secadora. El ciclo predeterminado en la posición de MY CYCLE en la secadora es el ciclo SMALL LOAD (carga pequeña).

Ciclo	Tipo de tejido	Temperatura	Nivel de secado	Wrinkle Guard	Static Shield
Small Load (Carga pequeña - predeterminado para My Cycle)	Sólo tejidos normales y de algodón/toallas (3 libras máximo)	Alto	Normal	●	
Super Dry (Super seco)	Seca completamente la ropa de algodón	Alto	Muy seco	●	
Denim (Tela vaquera)	Pantalones vaqueros	Media	NA	●	●
Kids' Clothes (Ropa de niños)	Ciclo de alta temperatura para desinfectar la ropa de los niños	Alto	Normal	●	
Ultra Delicate (Ultra Delicado)	Baja temperatura seca delicadamente los artículos delicados	Bajo	Normal	●	●
Freshen Up	Ayuda a reducir los olores y eliminar las pequeñas arrugas	Med. Alto	NA	●	●
Gym Clothes (Ropa de gimnasia)	Ropa de gimnasia, ropa de deportes del algodón	NA	NA	●	●
Blankets (Mantas)	Seca completamente las mantas voluminosas	Media	Muy seco	●	
Blanket Refresh (Refrescar para mantas)	Ciclo seco de 20 minutos para calentar mantas	Bajo	NA	●	●
Rainy Day (Día lluvioso)	Se seca la ropa húmeda por la lluvia o la nieve	Alto	Normal	●	
Lingerie (Lencería)	Lencería	Bajo	Normal	●	
Socks (Calcetines)	Ciclo seco de 35 minutos para secar 20 pares de calcetines	Alto	NA	●	●
Overnight Dry (Seco durante la noche)	Un ciclo de energía eficiente para secar una pequeña carga durante la noche	Alto	Normal	●	
Bedding/Curtains (Lecho/Cortinas)	Ropa de cama, cortinas	Media	Muy seco		●
Kids' Gym Clothes (Ropa de gimnasia para niños)	Ropa de deported de algodón de los niños	NA	NA	●	●
Deodorization (Desodorización)	Reduce los olores en la ropa que no requiere lavado	Med. Alto	NA	●	

AVISO DE LA FCC

(para el módulo transmisor contenido en este producto)

Este equipo fue probado y se determinó que cumple con los límites para los dispositivos digitales de Clase B, en conformidad con la parte 15 de las normas de la FCC. Estos límites están diseñados para ofrecer una protección razonable contra interferencias dañinas en una instalación residencial. Este equipo genera, usa y puede emitir energía de radiofrecuencia y, si no se instala y utiliza de acuerdo con las instrucciones, podría causar interferencias dañinas a las comunicaciones por radio. Sin embargo, no se garantiza que dicha interferencia no pueda ocurrir en instalaciones particulares. Si este equipo causa interferencia dañina a la recepción de radio o televisión, que se puede determinar encendiendo y apagando el equipo, se aconseja al usuario intentar corregir la interferencia realizando alguna de las siguientes acciones:

- Reoriente o reubique la antena receptora.
- Aumente la separación entre el equipo y el receptor.
- Conecte el equipo a una toma de corriente en un circuito diferente del utilizado por el receptor.
- Solicite ayuda a su vendedor o a un técnico especialista en radio o TV.

Este dispositivo cumple con la parte 15 de las normas de la FCC. La operación está sujeta a las dos siguientes condiciones:

- (1) este dispositivo no debe causar interferencia dañina, y
- (2) este dispositivo debe aceptar cualquier interferencia recibida, incluso aquellas que pudieran causar un funcionamiento no deseado del dispositivo.

Cualquier cambio o modificación en la construcción de este dispositivo que no cuente con la aprobación expresa de la parte responsable del cumplimiento puede anular la autorización del usuario para operar este equipo.

Declaración sobre exposición a la radiación de RF de la FCC

Este equipo cumple con los límites de exposición a la radiación de la FCC establecidos para entornos no controlados. Este transmisor no se debe ubicar ni operar junto con ninguna otra antena ni transmisor.

El equipo se debe instalar y operar con una distancia mínima de 20 cm (7,8 pulg.) entre la antena y su cuerpo. Los usuarios deben seguir las instrucciones de operación específicas de manera tal de cumplir con las normas de exposición a la RF.

ESPECIFICACIONES DEL MÓDULO INALÁMBRICO

Modelo	2AHU4-KMTD17
Rango de frecuencia	2412–2462 MHz
Potencia de salida máxima	IEEE 802.11b: 18.26 dBm IEEE 802.11g: 20.10 dBm IEEE 802.11n: 20.07 dBm

INFORMACIÓN DEL AVISO DE SOFTWARE DE CÓDIGO ABIERTO

Para obtener el código fuente correspondiente LGPL y otras licencias de código abierto que contiene este producto, visite <http://kenmore.com/opensource>. Además del código fuente, podrá descargar las condiciones de las licencias, exención de responsabilidad de la garantía y avisos de copyright.

⚠ ADVERTENCIA: A fin de reducir el riesgo de incendio, descargas eléctricas o lesiones personales, antes de poner en funcionamiento este electrodoméstico, lea completamente este manual, incluidas las instrucciones importantes sobre seguridad.

- **Desenchufe la secadora antes de proceder a su limpieza para evitar posibles descargas eléctricas.** Si no se cumple con esta advertencia se podrán producir lesiones graves, incendios, descargas eléctricas o muerte.
- **No utilice nunca productos químicos fuertes, limpiadores abrasivos o disolventes para limpiar la secadora.** Dañarán el acabado.

LIMPIEZA REGULAR

Limpieza del exterior

Unos cuidados adecuados prolongarán la vida útil de la secadora. Puede limpiar el exterior de la máquina con agua caliente y un detergente doméstico suave y no abrasivo. Limpie inmediatamente cualquier derrame con un paño suave y húmedo.

IMPORTANTE: No utilice alcoholes de limpieza, disolventes ni productos similares.

No utilice NUNCA estropajos metálicos ni limpiadores abrasivos; pueden dañar la superficie.

Limpieza del interior

Seque el contorno del hueco y la junta de la puerta con un paño suave y húmedo para eliminar las acumulaciones de pelusas y polvo que podrían dañar la junta de la puerta.

Limpie el cristal de la puerta con un paño suave humedecido en agua caliente y un detergente doméstico suave y no abrasivo; a continuación séquelo.

No utilice NUNCA estropajos metálicos ni limpiadores abrasivos; pueden arañar o dañar la superficie.

Limpieza alrededor de la secadora y debajo de ella

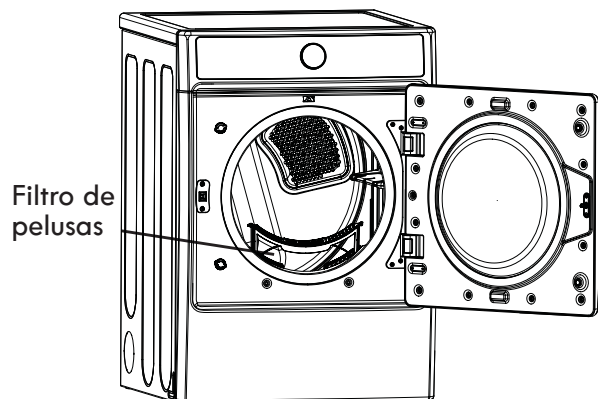
Aspire regularmente las pelusas y el polvo de los alrededores y debajo de la secadora.

Limpieza del filtro de pelusas

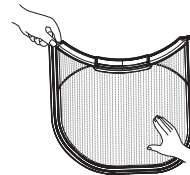
Asegúrese SIEMPRE de que el filtro de pelusas esté limpio antes de cada ciclo. El indicador Check Filter del panel de control parpadeará antes de cada ciclo para recordárselo.

NOTA: No utilice NUNCA la secadora sin el filtro de pelusas instalado.

- 1 Abra la puerta de la secadora.
- 2 Tire hacia arriba del filtro de pelusas.



- 3 Elimine los restos de pelusa del filtro con los dedos.

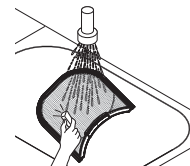


- 4 Vuelva a colocar el filtro de pelusas en la secadora.

Limpieza exhaustiva periódica:

Con el paso del tiempo, cierto tipo de suavizantes pueden acumularse en el filtro de pelusas. Estas acumulaciones pueden restringir el flujo de aire a través del filtro, reduciendo la eficiencia de la secadora y alargando los tiempos de secado. Si tras retirar la pelusa, el filtro presenta un aspecto oscuro o sucio al trasluz, siga estos pasos para limpiarlo:

- 1 Utilice agua caliente jabonosa y un cepillo duro para limpiar el filtro.



- 2 Asegúrese de que el filtro está completamente seco antes de volver a instalarlo y utilizar la secadora.

NOTA: No ponga NUNCA en funcionamiento la secadora con un filtro de pelusas húmedo.

Mantenimiento del sistema de conductos:

Se debe revisar que el sistema de conductos de ventilación no tenga acumulación de pelusa y se debe limpiar una vez por año. Si se percibe una reducción del flujo de aire o desempeño del secado notorios, revise que el sistema de conductos no esté bloqueado ni tenga obstrucciones. Llame a un técnico o proveedor de mantenimiento calificados.

MANTENIMIENTO DEL SISTEMA DE VENTILACIÓN

La causa más habitual de problemas en la secadora es una ventilación deficiente. Una ventilación deficiente puede producirse por los siguientes motivos:

- CONDUCTOS DE VENTILACIÓN SUCIOS O DAÑADOS
- MATERIAL INADECUADO DE LOS CONDUCTOS DE VENTILACIÓN
- EXTRACTOR OBSTRUIDO O DAÑADO
- CONDUCTO DE VENTILACIÓN DE LONGITUD EXCESIVA
- USO DE CONDUCTOS DE VENTILACIÓN DE PLÁSTICO O LÁMINA METÁLICA

Mantenimiento del sistema de ventilación

Deben comprobarse los conductos de ventilación en busca de acumulaciones de pelusa y limpiarlos al menos una vez al año. Si se produce cualquier reducción apreciable en el rendimiento del secado, compruebe los conductos en busca de obstrucciones y bloqueos.

Si se ilumina el indicador CHECK VENT, debe comprobarse inmediatamente la existencia de obstrucciones o daños en el sistema de ventilación. El indicador CHECK VENT indica una reducción grave en la ventilación del flujo de aire que reducirá drásticamente el rendimiento energético y aumentará los tiempos de secado. Los sistemas de ventilación dañados o restringidos no están cubiertos por la garantía de la secadora. Los daños ocasionados en la secadora derivados de sistemas de ventilación dañados, obstruidos o inadecuados por cualquier otro motivo, no están cubiertos por la garantía de la unidad.

Indicador CHECK VENT

El sistema de advertencia CHECK VENT ha sido diseñado para ayudarle a evitar la reducción del rendimiento que pueden ocasionar las obstrucciones en el sistema de ventilación de la vivienda. El indicador CHECK VENT se ilumina para avisarle cuando se produce un problema en el sistema, de manera que pueda repararlo.

Aunque debe comprobar y realizar el mantenimiento del sistema de ventilación regularmente, el sistema de advertencia CHECK VENT detectará y le avisará de cualquier problema grave que se desarrolle en el sistema de ventilación de la vivienda. Entre estos, se incluyen sistemas de ventilación que no sean adecuados por cualquier motivo, incluido una obstrucción en la ventilación, conductos aplastados o retorcidos, o una ventilación que supere la longitud máxima recomendada tal como se describe en la sección de instalación.

NOTA: La longitud total incluye la longitud desde la parte posterior de la secadora hasta el extractor exterior, MÁS un factor por cada codo de 90° en el sistema de ventilación. Por ejemplo, si la distancia desde la parte posterior de la secadora hasta el extractor es de 9 m (30 pies), y hay cuatro codos en el sistema, superará la longitud máxima de 8,5 m (28 pies) que se permite en estas condiciones.

El indicador CHECK VENT del panel de control le avisará de que el sistema de ventilación no está desplazando suficiente aire de la secadora al exterior. Esta reducción del flujo de aire ocasionará tiempos de secado más largos, un secado deficiente y, probablemente, averías en la secadora.

Le recordamos que el sistema de ventilación externa de la secadora se considera parte de su vivienda y no está cubierta por la garantía del producto ni por los contratos de protección. Hay servicios disponibles para realizar la limpieza o el mantenimiento de la ventilación externa.

Funcionamiento de CHECK VENT

El sistema CHECK VENT utiliza componentes que ya se encuentran en la secadora. Mediante la supervisión de estos componentes durante varios ciclos, el control puede determinar el nivel de obstrucción que presenta el sistema de ventilación. Si detecta un alto nivel de obstrucción, encenderá el indicador CHECK VENT para avisarle del problema. La secadora seguirá funcionando después de que se ilumine el indicador, pero deberá limpiar o reparar inmediatamente el sistema de ventilación para evitar que se prolonguen los tiempos de secado y un mayor consumo de energía.

IMPORTANTE: Para que la secadora pueda secar las prendas de manera adecuada y eficiente, es extremadamente importante que el sistema de ventilación sea lo más corto y esté lo más limpio posible. Su longitud DEBE ser inferior a las especificaciones de longitud máxima que se detallaban en la sección de instalación. También es muy importante que se asegure de que cuando se instale la secadora, el sistema de ventilación esté limpio, no presente obstrucciones y no esté aplastado ni retorcido.

Si no se cumplen estas directrices se alargarán los tiempos de secado, se consumirá más energía y es posible que incluso las prendas resulten dañadas o se produzca una avería en la secadora. Cuando la obstrucción del sistema de ventilación sea crítica, el indicador CHECK VENT parpadeará para avisarle de este problema, de manera que pueda limpiarlo o repararlo.

- 1 Para evitar falsas alarmas y ofrecer una mayor confiabilidad, la secadora examinará el estado de ventilación durante varias cargas. Si durante varias cargas consecutivas se superan los límites de obstrucción, el control hará parpadear el indicador CHECK VENT.
- 2 Cuando parpadea el indicador CHECK VENT, indica que es necesario comprobar lo antes posible la ventilación externa en busca de posibles obstrucciones.
- 3 El indicador CHECK VENT permanecerá encendido (parpadeando) hasta que se haya resuelto la obstrucción Y ADEMÁS el control haya comprobado que el flujo de aire ha mejorado durante varios ciclos.
- 4 Una vez limpiado o reparado el sistema de ventilación, el indicador CHECK VENT tarda varios ciclos en restablecerse y apagar el indicador.

NOTA: El indicador CHECK VENT ha sido diseñado para medir el rendimiento durante varios ciclos consecutivos antes de activarse o desactivarse, con objeto de evitar falsas alarmas. Una carga muy grande, como un edredón muy voluminoso, puede hacer que el sistema de comprobación de la ventilación detecte que el sistema de ventilación está obstruido, pero en este caso no haría que el indicador parpadeara. No obstante, si se ejecutarán consecutivamente varias cargas muy grandes, es posible que se encendiese el indicador CHECK VENT.

DIAGNOSTICS (DIAGNÓSTICOS)

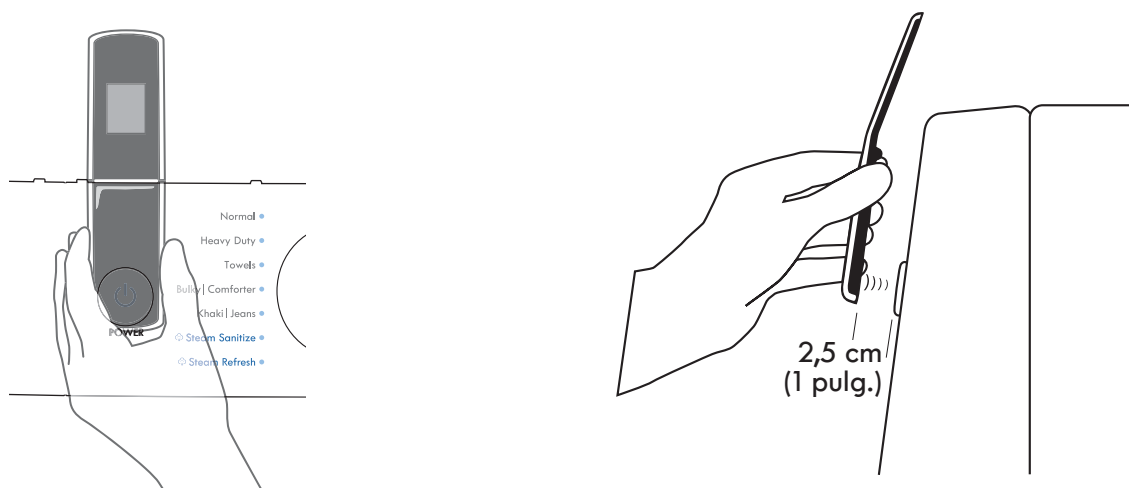
Si experimenta algún problema con la secadora, podrá transmitir datos a través del teléfono con el equipo Diagnósticos. Así podrá hablar directamente con nuestros técnicos especializados. El técnico graba los datos transmitidos desde la máquina y los utiliza para analizar el problema, ofreciendo un diagnóstico rápido y eficaz.

Si experimenta problemas con la secadora, llamar al 1-844-553-6667. Sólo utilice Diagnósticos cuando se lo pida el equipo de Diagnósticos. Los sonidos de transmisión que oírán son normales y suenan de forma parecida a un equipo de fax.

Diagnósticos no se puede activar a menos que la secadora se encienda pulsado el botón POWER. Si la secadora no se puede encender, la solución de problemas deberá llevarse a cabo sin utilizar Diagnósticos.

Uso de Diagnósticos

En primer lugar, llame al 1-844-553-6667. Si el número del teléfono que está utilizando está en el archivo, y se asocia con la secadora, usted será retransmitido rápidamente a un agente del equipo Diagnósticos. Siga las instrucciones del técnico y siga estos pasos cuando se le solicite.



MANTENGA el micrófono del teléfono sobre el botón de ENCENDIDO, cuando el centro de llamadas se lo solicite, a no más de 2,5 cm (pero sin tocar) la máquina.

NOTA: No pulse ningún otro botón ni gire el mando del selector de ciclo.



MANTENGA PULSADO el botón de TEMP mientras sigue sujetando el teléfono sobre el botón POWER.



ESPERE A ESCUCHAR dos pitidos. Tras escuchar los dos pitidos, suelte el botón de TEMP. Mantenga el teléfono en su sitio hasta que haya terminado la transmisión de tonos. En la pantalla aparecerá el recuento de tiempo. Una vez finalizada la cuenta atrás y cuando los tonos se hayan detenido, reanude su conversación con el técnico que le podrá ayudar a utilizar la información transmitida para el análisis.

NOTA:

- Para obtener mejores resultados, no mueva el teléfono mientras se estén transmitiendo los tonos.
- Si el agente del centro de llamadas no puede grabar con precisión los datos, quizá le pida que lo intente de nuevo.
- Si pulsa el botón POWER durante la transmisión se apagará el sistema Diagnósticos.

Diagnósticos es una función de resolución de problemas diseñada para asistir, no reemplazar, al método tradicional de resolución de problemas a través de llamadas de servicio técnico. La efectividad de esta función depende de diversos factores, entre los cuales se incluyen, la recepción del teléfono celular utilizado para la transmisión, cualquier ruido externo que pueda presentarse durante la transmisión, y la acústica de la habitación donde está ubicada la lavadora. Por lo tanto, Sears no garantiza que Diagnósticos resuelva con precisión cualquier cuestión dada.

PREGUNTAS FRECUENTES

P: ¿Cuando presiono un botón, ¿por qué la secadora emite un pitido y luego no sucede nada?

R: La función Control Lock está activada. Para desactivar Control Lock, encienda la secadora y, luego, mantenga presionado el botón con la indicación *Control Lock en él o debajo de él durante 3 segundos.

P: ¿Por qué la secadora tarda tanto tiempo en secar la ropa?

R: Un adecuado flujo de aire es esencial para la eficacia del funcionamiento de las secadoras de ropa. Un filtro de pelusa lleno de pelusa o tapado con una capa de residuos de suavizante para ropa puede reducir el flujo de aire a tal punto que el tiempo de secado puede incrementarse en gran medida. Otro factor que afecta el tiempo de secado es el sistema de escape de su casa. Un sistema de escape sucio y repleto de pelusa o demasiado extenso debe ser limpiado o reparado por un profesional.

P: ¿Por qué la secadora se inicia sola cada pocos minutos?

R: Así es como funciona la función Wrinkle Guard. La secadora funciona por poco tiempo cada pocos minutos durante un período de hasta 3 horas después de que finaliza el ciclo. Esta función está diseñada para ayudar a prevenir la formación de arrugas cuando la secadora no se descarga de inmediato luego de que el ciclo finaliza.

P: ¿Por qué la secadora indica 3 minutos cuando selecciono el ciclo Steam Refresh?

R: Cuando se selecciona el ciclo Steam Refresh, la secadora muestra la cantidad de prendas, en lugar del tiempo estimado del ciclo, hasta que inicia el ciclo. Use los botones More Time o Less Time para ajustar el tamaño de la carga según la cantidad de prendas que desea. Para una carga grande o una sola prenda voluminosa, use el ajuste *b/ 9* (grande).

ANTES DE SOLICITAR ASISTENCIA TÉCNICA

Problema	Causa posible	Soluciones
<p>* La luz CHECK VENT parpadea. * Este indicador de advertencia no señala una avería de la secadora y no está cubierto por la garantía de la máquina. Póngase en contacto con el servicio de limpieza de conductos para concertar una cita y limpiar e inspeccionar su sistema de ventilación.</p>	<p>El sistema de ventilación es demasiado largo o tiene demasiados cambios de dirección/obstrucciones.</p> <p>Existen bloqueos parciales en los conductos por acumulaciones de pelusas u otros objetos extraños.</p> <p>El electrodoméstico ha detectado una obstrucción en la ventilación externa de la secadora.</p>	<p>Instale un conducto con un recorrido más corto o recto. Consulte las instrucciones de instalación para obtener más detalles.</p> <p>El conducto debe comprobarse/limpiarse inmediatamente. La secadora puede utilizarse en estas condiciones, pero los tiempos de secado serán mayores y aumentará el consumo eléctrico.</p> <p>Consulte las secciones sobre el INDICADOR CHECK VENT y el funcionamiento de la COMPROBACIÓN DE LA VENTILACIÓN para obtener más información acerca de esta función.</p>
<p>La pantalla indica d80, d90, d95.</p>	<p>Los conductos están bloqueados en un 80%-95%. (Los códigos de error se muestra solo durante 2 horas.)</p> <p>El sistema de escape de la casa está bloqueado.</p>	<p>No utilice la secadora hasta que el sistema de escape haya sido limpiado y/o reparado. Utilizar la secadora con un escape notoriamente restringido es peligroso y podría ocasionar un incendio u otros daños a la propiedad. Revise la ventilación exterior cuando la secadora está funcionando para asegurarse de que el flujo de aire sea potente.</p> <p>Si el sistema de escape es extremadamente largo, hágalo reparar o desviar.</p> <p>Mantenga la zona alrededor de la secadora limpia y libre de residuos.</p> <p>Revise la campana de ventilación para comprobar si está dañada o tapada con pelusas.</p> <p>Asegúrese de que la zona alrededor de la campana de ventilación esté despejada.</p>

ANTES DE SOLICITAR ASISTENCIA TÉCNICA (continuación)

Problema	Causa posible	Soluciones
El indicador CHECK VENT permanecerá activo (parpadeando) después de eliminar la obstrucción de la ventilación.	Después de eliminar la obstrucción, el sistema de comprobación de la ventilación requiere varios ciclos consecutivos para determinar que el rendimiento ha mejorado antes de restablecer el indicador CHECK VENT.	Si el indicador CHECK VENT sigue encendido durante más de cinco ciclos después de eliminar la obstrucción, llame al servicio técnico.
La secadora no se enciende.	El cable de alimentación no se ha enchufado de forma adecuada. Se ha fundido el fusible, ha saltado el disyuntor o se ha producido un corte de suministro eléctrico en la vivienda.	Compruebe que el enchufe esté conectado firmemente a una toma de pared con conexión a tierra que coincida con la placa de especificaciones de la secadora. Reinicie el disyuntor o sustituya el fusible. No aumente la capacidad del fusible. Si el problema es una sobrecarga del circuito, haga que lo solucione un electricista cualificado.
Los botones están desactivados o aparece CL en la pantalla	La función CONTROL LOCK (bloqueo de los controles) está activada.	Mantenga presionado el botón CHIME durante tres segundos para activar o desactivar la función.
La pantalla muestra los códigos de error: tE1 través tE7.	Error del sensor de temperatura.	Apague la secadora y llame al servicio técnico.
La pantalla muestra los códigos de error: PS (sólo secadoras eléctricas).	No se conectó correctamente el cable de alimentación	Hilos blanco (N) y rojo (L2) del cable de alimentación. Compruebe las conexiones del cable de alimentación para ver la conexión del neutro en la terminal central. Se aplicaron 240 voltios al control, por lo que se protegió automáticamente.
La pantalla muestra los códigos de error: nP o gAS	El cable de alimentación está mal conectado. Se ha apagado el suministro o servicio de gas (solo modelos a gas).	Compruebe la conexión del cable de alimentación al bloque de terminales. Confirme que la válvula de corte de gas de la vivienda y la válvula de corte de gas de la secadora estén completamente abiertas.
La luz no enciende cuando la puerta está abierta	La secadora ha estado apagada por más de cuatro minutos y la luz se ha apagado.	Presione el botón POWER (encendido) para encender la secadora; se encenderá la luz del tambor.
La secadora no calienta.	Se ha fundido el fusible, ha saltado el disyuntor o se ha producido un corte de suministro eléctrico en la vivienda. Suministro o servicio de gas cortado (sólo modelos de gas).	Reinicie el disyuntor o sustituya el fusible. No aumente la capacidad del fusible. Si el problema es una sobrecarga del circuito, haga que lo solucione un electricista cualificado. NOTA: Debido al diseño de las secadoras eléctricas, es posible que un problema del circuito permita que una secadora eléctrica funcione sin calor. Compruebe que las válvulas de corte de gas de la vivienda y la secadora están abiertas por completo. Aunque la secadora no disponga de suministro de gas, funcionará y no mostrará códigos de error. Compruebe que funcionen con normalidad otros electrodomésticos de la vivienda que utilicen gas.
Hay pelusa en las prendas.	No se ha limpiado adecuadamente el filtro de pelusas. No se ordenó correctamente la colada. Electricidad estática excesiva en las prendas. La secadora está sobrecargada. Se han dejado pañuelos, papeles, etc. en los bolsillos.	Elimine las pelusas del filtro antes de cada carga. Tras eliminar la pelusa, sujete el filtro al trasluz para comprobar si está sucio u obstruido. Si parece sucio, siga las instrucciones de limpieza proporcionadas. Con ciertas cargas que generan grandes cantidades de pelusa, podría ser necesario limpiar el filtro durante el ciclo. Algunos tejidos producen mucha pelusa (por ejemplo, una toalla de algodón blanco muy gruesa) y deben secarse aparte de las prendas a las que se adhiere con facilidad la pelusa (por ejemplo, un par de pantalones negros de hilo). Utilice un suavizante para reducir la electricidad estática. Asegúrese de seguir las instrucciones del fabricante. Si se seca excesivamente una carga, es posible que se acumule electricidad estática en las prendas. Ajuste los valores y utilice tiempos de secado más cortos o ciclos de secado automático. Divida las cargas muy grandes en otras más pequeñas para secarlas. Examine cuidadosamente los bolsillos antes de lavar y secar las prendas.

ANTES DE SOLICITAR ASISTENCIA TÉCNICA (continuación)

Problema	Causa posible	Soluciones
<p>Manchas de grasa o suciedad en las prendas</p>	<p>Se han secado juntas prendas limpias y sucias.</p> <p>Las prendas no se limpiaron o enjuagaron adecuadamente antes de introducirlas en la secadora.</p>	<p>Utilice su secadora sólo para secar prendas limpias; la ropa sucia puede contaminar prendas limpias introducidas en la misma carga o en cargas posteriores.</p> <p>Las manchas en prendas secas podrían no haber sido eliminadas durante el proceso de lavado. Asegúrese de que las prendas han sido limpiadas o enjuagadas por completo según las instrucciones de su lavadora y del fabricante del detergente. Ciertas manchas difíciles podrían requerir un tratamiento previo al lavado.</p>
<p>Las prendas tardan mucho en secarse.</p>	<p>Los conductos de ventilación están obstruidos, sucios o son demasiado largos.</p> <p>La carga no se ha agrupado correctamente.</p> <p>Se trata de una carga grande de tejidos pesados.</p> <p>Los controles de la secadora no están ajustados correctamente.</p> <p>El filtro de pelusas necesita limpieza.</p> <p>Se ha fundido el fusible, ha saltado el disyuntor o se ha producido un corte de suministro eléctrico en la vivienda.</p> <p>La secadora está sobrecargada.</p> <p>La secadora está cargada de forma insuficiente.</p>	<p>Asegúrese de que los conductos de ventilación están instalados correctamente y libres de residuos, pelusas y obstrucciones. Asegúrese de que los amortiguadores de la pared exterior pueden abrirse correctamente y no están obstruidos, atascados ni dañados.</p> <p>Separe las prendas pesadas de las ligeras. Las prendas más grandes y pesadas tardan más en secarse. Las prendas ligeras en una carga de prendas pesadas pueden falsear los resultados del sensor, ya que se secan antes.</p> <p>Los tejidos pesados tardan más en secarse debido a que tienden a retener más humedad. Para ayudar a reducir y mantener tiempos de secado más consistentes para tejidos grandes y pesados, divida estas prendas en cargas más pequeñas de un tamaño coherente.</p> <p>Utilice los ajustes de control adecuados al tipo de carga que está secando. Algunas cargas pueden requerir un ajuste del DRY LEVEL (nivel de secado) para secarse correctamente.</p> <p>Elimine las pelusas del filtro antes de cada carga. Tras eliminar la pelusa, sujete el filtro al trasluz para comprobar si está sucio u obstruido. Si parece sucio, siga las instrucciones de limpieza proporcionadas. Con ciertas cargas que generan grandes cantidades de pelusa, como unas toallas de baño nuevas, podría ser necesario detener el ciclo y limpiar el filtro durante el transcurso del mismo.</p> <p>Reinicie el disyuntor o sustituya el fusible. No aumente la capacidad del fusible. Si el problema es una sobrecarga del circuito, haga que lo solucione un electricista cualificado.</p> <p>NOTA: Debido al diseño de las secadoras eléctricas, es posible que un problema del circuito permita que una secadora eléctrica funcione sin calor.</p> <p>Divida las cargas muy grandes en otras más pequeñas para conseguir un mejor funcionamiento y una mayor eficiencia de secado.</p> <p>Si está secando una carga muy pequeña, añada algunas prendas más para asegurarse de que las prendas giran adecuadamente. Si la carga es muy pequeña y está utilizando ciclos de secado automático, el control electrónico no podrá detectar correctamente la humedad de la carga y podría finalizar el ciclo demasiado pronto. Utilice la función de secado manual o añada algunas prendas húmedas más a la carga.</p>

ANTES DE SOLICITAR ASISTENCIA TÉCNICA (continuación)

Problema	Causa posible	Soluciones
El tiempo de secado no es consistente.	Los ajustes de calor, tamaño de la carga o humedad en las prendas no son consistentes.	El tiempo de secado de una carga variará dependiendo del tipo de calor utilizado (eléctrico, gas natural o gas LP), el tamaño de la carga, los tipos de tejidos, la humedad de las prendas y el estado de los conductos de ventilación y del filtro de pelusas. Incluso una carga desequilibrada en la lavadora puede ocasionar un centrifugado deficiente, que hará que las prendas estén más húmedas y tarden más tiempo en secarse.
Las prendas están arrugadas.	Las prendas se han secado durante demasiado tiempo (secado excesivo). Se han dejado demasiado tiempo las prendas en la secadora una vez finalizado el ciclo.	Si se seca excesivamente una carga de ropa, es posible que las prendas queden arrugadas. Pruebe a utilizar un tiempo de secado más corto o el ajuste LESS DRY y retire los elementos mientras todavía les quede un poco de humedad. Utilice la opción WRINKLE GUARD. Esta función hará que las prendas giren durante unos segundos cada pocos minutos durante un máximo de 180 minutos para evitar las arrugas.
Las prendas han encogido.	No se siguieron las instrucciones de cuidado de las prendas.	Para evitar que las prendas encojan, consulte siempre las instrucciones de cuidado de la prenda y sígalas. Algunos tejidos encogerán de manera natural al lavarlos. Otros tejidos se pueden lavar en lavadora pero encogen si se secan a máquina. Utilice un secado a baja temperatura o sin calor.
Electricidad estática excesiva en las prendas tras el secado	No se ha utilizado suavizante o se ha usado de forma incorrecta. Las prendas se han secado durante demasiado tiempo (secado excesivo). Se están secando prendas sintéticas, de planchado permanente o de mezcla sintética.	Utilice un suavizante o la opción STATIC SHIELD, si dispone de ella, para reducir la electricidad estática. Asegúrese de seguir las instrucciones del fabricante. Si se seca excesivamente una carga, es posible que se acumule electricidad estática en las prendas. Ajuste los valores y utilice tiempos de secado más cortos o ciclos de secado automático. Seleccione un ajuste LESS DRY en los ciclos de secado automático, si es necesario. Estos tejidos son, por naturaleza, más propensos a acumular electricidad estática. Intente utilizar suavizante o utilice la opción LESS DRY y/o un ajuste de tiempo más corto para la función de secado manual.

ANTES DE SOLICITAR ASISTENCIA TÉCNICA (continuación)

Problema	Causa posible	Soluciones
<p>No operan las funciones de vapor</p>	<p>Gotea agua de la boquilla cuando comienza el ciclo de vapor.</p>	<p>Esto es condensación de vapor. El agua parará de gotear después de un tiempo.</p>
	<p>No se ve vapor durante el ciclo de vapor</p>	<p>Esto es normal. Es difícil ver el vapor con la puerta cerrada. Sin embargo, la condensación se forma normalmente en el interior de la puerta de la secadora si el sistema funciona con normalidad.</p>
	<p>No se genera vapor y no aparece en pantalla ningún código de error.</p>	<p>No funciona la bomba del alimentador de vapor – llame a servicio técnico.</p>
	<p>Las prendas todavía están arrugadas al final del ciclo REFRESCADO CON VAPOR.</p>	<p>Coloque solamente de una a cinco prendas (o una sola prenda voluminosa). No mezcle diferentes tipos de tejido. El REFRESCADO CON VAPOR es más eficaz en mezclas 70/30 de algodón/poliéster. No use en prendas 100% algodón.</p>
	<p>No hay arrugas en la ropa después de usar el ciclo REFRESCADO CON VAPOR.</p>	<p>Este ciclo está diseñado para eliminar arrugas. Si quedan arrugas después del ciclo REFRESCADO CON VAPOR, se deberán planchar las prendas.</p>
	<p>Las prendas tienen estática después de Antiestática (Static Shield).</p>	<p>Depende del nivel individual de humedad de la piel.</p>
	<p>Las prendas están muy húmedas o muy secas después de Antiestática (Static Shield).</p>	<p>Seleccione el peso de la carga manualmente antes de comenzar la opción Antiestática (Static Shield).</p>
	<p>Gotea agua por la puerta durante los ciclos de vapor.</p>	<p>El vapor no es visible. Sin embargo, en ciertas condiciones se puede ver una neblina o se formará condensación en la parte interior del vidrio de la puerta y podrían deslizarse gotas por el vidrio.</p>
	<p>El tambor no gira durante los ciclos de vapor.</p>	<p>El tambor se apaga para que el vapor permanezca en él. El tambor girará solo unos pocos segundos cada minuto.</p>
	<p>No se puede ver el vapor al comienzo del ciclo.</p>	<p>El vapor se libera en diferentes etapas del ciclo dependiendo de cada opción. El vapor no se puede ver, pero es posible que se forme condensación en la parte interior de la puerta cuando se está generando el vapor.</p>
<p>No se eliminaron por completo los olores al final del ciclo REFRESCADO CON VAPOR.</p>	<p>Algunos olores son difíciles de eliminar. Los tejidos que tengan olores difíciles o muy fuertes tal vez no se refresquen bien y se deben lavar a mano o al seco.</p>	

Garantía limitada de Kenmore Elite

POR UN AÑO a partir de la fecha de venta, este electrodoméstico está cubierto por la garantía contra defectos de material o mano de obra cuando la instalación, operación y mantenimiento del electrodoméstico son correctos y siguen todas las instrucciones suministradas.

JUNTO CON LA PRUEBA DE VENTA, el electrodoméstico defectuoso recibirá sin cargo su reparación o reemplazo, a opción del vendedor.

Para conocer los detalles de la cobertura de garantía para obtener la reparación o el reemplazo gratis del producto, visite la página Web: www.kenmore.com/warranty

Esta cobertura de garantía aplica sólo por 90 DÍAS a partir de la fecha de venta si el electrodoméstico es utilizado para otro fin que no sea de uso doméstico.

Esta garantía cubre ÚNICAMENTE los defectos de material y mano de obra, y NO pagará:

1. Elementos consumibles que puedan desgastarse debido al uso normal, incluyendo entre otros, los filtros, correas, bolsas o bombillas extraíbles.
2. Un técnico de servicio para realizar labores de limpieza o mantenimiento del electrodoméstico, o para enseñar al usuario la instalación, funcionamiento o mantenimiento correctos del producto.
3. Llamadas al servicio técnico para corregir la instalación del electrodoméstico no realizada por agentes de servicio autorizados de Sears, o bien para solucionar problemas relacionados con fusibles domésticos, disyuntores, cableado, sistemas de plomería o de suministro de gas, que resulten de tal instalación.
4. Daños o averías resultantes de la instalación no realizada por agentes de servicio autorizados de Sears, incluida la instalación que no fue realizada de acuerdo con los códigos eléctricos, de gas o de fontanería.
5. Daños o averías, incluyendo la decoloración u óxido de la superficie, si el funcionamiento y mantenimiento del electrodoméstico no son correctos de acuerdo a las instrucciones suministradas.
6. Daños o averías, incluyendo la decoloración u óxido de la superficie, que resulten de cualquier accidente, alteración, abuso, uso incorrecto o uso con propósitos distintos a los fines para los que el producto fue diseñado.
7. Daños o averías, incluyendo la decoloración u óxido de la superficie, causados por el uso de detergentes, limpiadores, sustancias químicas o utensilios distintos a los recomendados en todas las instrucciones suministradas con el producto.
8. Daños o fallas de los componentes o sistemas como resultado de modificaciones hechas sin autorización a este producto.
9. Servicio técnico al electrodoméstico si el modelo y placa de serie han sido removidos, alterados, o cuando no pueda determinarse fácilmente que tenga el logo de certificación apropiado.

Descargo de responsabilidad de garantías implícitas; limitación de acciones legales

El único y exclusivo recurso del cliente bajo esta garantía limitada será la reparación del producto como se indica en la presente. Las garantías implícitas, incluyendo garantías de comerciabilidad y aptitud para un objetivo particular, se encuentran limitadas a un año o al período más corto permitido por la ley. Sears no será responsable de los daños incidentales o derivados. Algunos estados y provincias no permiten la exclusión o limitación de daños o limitaciones incidentales o resultantes, o limitaciones sobre la duración de garantías implícitas o de comerciabilidad o aptitud, por lo tanto las limitaciones o exclusiones anteriores pueden no aplicarse en su caso.

Esta garantía podrá aplicarse sólo si este electrodoméstico se utiliza en los Estados Unidos.

Esta garantía le otorga derechos legales específicos, y usted también puede contar con otros derechos, que pueden variar de estado a estado.

Sears Brands Management Corporation, Hoffman Estates, IL 60179

Kenmore®

Customer Care Hotline

To schedule in-home repair service
or order replacement parts

Para pedir servicio de reparación
a domicilio, y ordenar piezas

1-844-553-6667

www.kenmore.com

