

INSTALLATION INSTRUCTIONS

GAS

AUTOMATIC DRYER

PLEASE READ ALL INSTALLATION INSTRUCTIONS AND REQUIREMENTS BEFORE INSTALLING

⚠ WARNING : For your safety the information in this manual must be followed to minimize the risk of fire or explosion or to prevent property damage, personal injury or loss of life.

- Do not store or use gasoline or other flammable vapors and liquids in the vicinity of this or any other appliance.

WHAT TO DO IF YOU SMELL GAS

- Do not try to light any appliance.
- Do not touch any electrical switch; do not use any phone in your building.
- Clear the room, building or area of all occupants.
- Immediately call your gas supplier from a neighbor's phone. Follow the gas supplier's instructions.
- If you cannot reach your gas supplier, call the fire department.

Installation and service must be performed by a qualified installer, service agency or the gas supplier.

⚠ ATTENTION : Pour votre sécurité, suivre les indications données dans ce manuel afin de réduire les risques d'incendie ou d'explosion et d'éviter dommages matériels, blessures et décès.

- Ne pas entreposer ni utiliser d'essence ou autres produits et vapeurs inflammables à proximité de cette sècheuse ou de tout autre appareil électroménager.
- QUE FAIRE S'IL Y A UNE ODEUR DE GAZ
- N'allumer aucun appareil.
- Ne toucher aucun commutateur électrique; ne pas utiliser le téléphone dans votre maison ou votre immeuble.
- Faire sortir tous les occupants de la pièce, du logement ou immeuble, ou de la vicinity.
- Appeler la compagnie de gaz immédiatement en utilisant le téléphone d'un voisin. Suivre les instructions de la compagnie de gaz.
- En cas d'impossibilité de joindre la compagnie de gaz, appeler les pompiers.

Le montage et les réparations doivent être faits par un technicien qualifié, un prestataire de services ou la compagnie de gaz.

FOR YOUR SAFETY AND THE PROPER OPERATION OF YOUR NEW DRYER, THE DRYER MUST BE INSTALLED IN ACCORDANCE WITH ALL THE INSTALLATION REQUIREMENTS.

All literature should be removed from inside dryer and saved for future reference.

NOTE: DO NOT RAISE OR LOWER THE DRYER BY THE BACKGUARD.

REMOVE SHIPPING MATERIALS

1. To remove the corrugated crate base, place your foot on the base close to a leveling foot. Pushing down firmly with your foot, tilt the dryer away from you.
2. Repeat process with all leveling feet (4). Remove excess base by hand.
3. Remove film covering backguard for shipping purposes. Wipe clean of fingerprints.

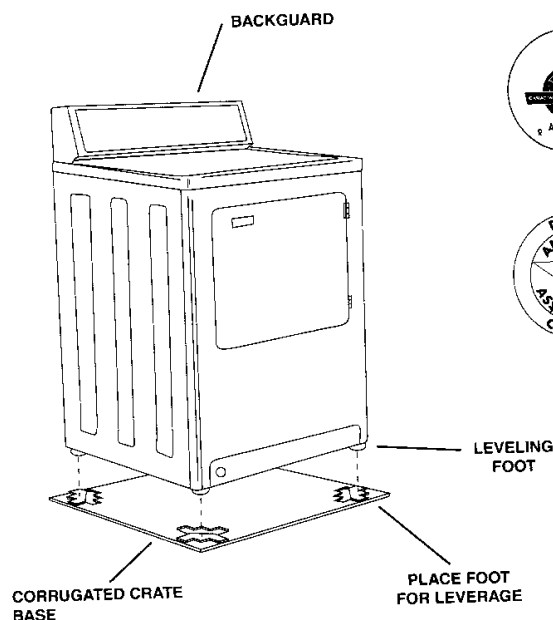
GAS CONNECTIONS

The dryer must be installed in accordance with the Installation Requirements. EQUIPPED FOR NATURAL GAS. FOR LP GAS INSTALLATION SEE PAGE 2.

- TOOLS REQUIRED -

1/2" DRIVER
PIPE WRENCH OR
ADJUSTABLE WRENCH

SCREWDRIVER
PUTTY KNIFE
PIPE SEAL COMPOUND
DUCT TAPE



GAS INSTALLATION REQUIREMENTS

PLEASE READ All Installation Instructions and Requirements Before Installing.

GENERAL INFORMATION

It is recommended that a qualified service technician install your dryer.

Unless otherwise indicated on the nameplate (located inside the door) this dryer is equipped for use with natural gas. **If LP gas is used, the proper conversion kit must be installed by the dealer or distributor.** The dryer installation should be performed by a qualified person familiar with the precautions required and with local codes.

To obtain replacement parts contact any factory authorized dealer.

LOCATION

This clothes dryer is designed so that it can be installed in most locations in the home. The dryer may even be installed in an unheated indoor location, such as a utility room or building. However, with models having automatic dry cycles, **WHEN THE ROOM TEMPERATURE DROPS BELOW 50 DEG. F. OR 10 DEG. C. THE AUTOMATIC CYCLE MAY NOT SHUT OFF. USE TIMED DRY CYCLE (HEAT NOT FLUFF) IF AVAILABLE ON YOUR MODEL.**

DO NOT INSTALL THE DRYER ON A CARPETED FLOOR.

DO NOT INSTALL OR STORE THE DRYER WHERE IT MAY BE EXPOSED TO THE WEATHER OR DRIPPING WATER. If it is ever exposed to water, have a qualified technician check it before using. Clearances of 0 in. between combustible construction and the front, sides, back and exhaust duct are permissible.

THE INSTALLATION MUST BE MADE WITH ADEQUATE CLEARANCE TO PERMIT SERVICING.

In ordinary installations enough air will be available for proper operation of the gas burner. However, if the dryer is installed in a mobile home, a closet or a tightly sealed room, provisions should be made for at least 18 square inches of ventilation area. Air openings measuring a minimum 3 in. by 3 in. should be provided at the top and bottom of the closet door. Ordinarily, louvered doors will satisfy the ventilation requirements. Dryers installed in a bedroom, bathroom, or closet must be exhausted outdoors.

⚠ WARNING

FIRE HAZARD

DO NOT ALLOW STORAGE OR ANY OTHER MATERIALS TO OBSTRUCT VENTILATION OPENINGS.

NO OTHER FUEL-BURNING APPLIANCE SHOULD BE INSTALLED IN THE SAME ROOM OR CLOSET AS THE DRYER.

INSTALLATION IN RESIDENTIAL GARAGE

Flammable Vapors - Vapors from spilled gasoline can be ignited by a clothes dryer, a water heater, or other non-sealed gas heating appliance. The National Fuel Gas Code ANSI Z223.1 and Canadian Code CAN 1-B149 requires that a gas appliance when installed in a residential garage be elevated so that the burner and the ignition device of the burner are a minimum of 18 inches above the floor. To satisfy this requirement the dryer must be installed with the base at least 14 in. above the floor. In addition, the dryer must be located or protected to prevent damage from moving vehicles.

FOR MAXIMUM SAFETY, INSTALLATION OF CLOTHES DRYERS IN GARAGES SHOULD BE AVOIDED.

ELECTRICAL CONNECTION

DO NOT USE AN EXTENSION CORD.

The dryer is designed for 120 volt, 60 HZ AC current and will not operate on direct current or 50 HZ supplies.

It is recommended that a separate circuit be provided from the main entrance panel to the dryer receptacle. The wiring should be done by a qualified person in conformance with local codes. The circuit must be protected with a 15 amp time delay fuse or circuit breaker.

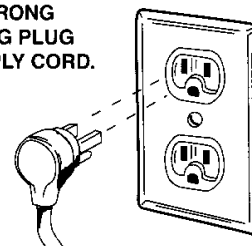
A wiring diagram is located behind backguard shield.

GROUNDING

The dryer, when installed, must be electrically grounded in accordance with local codes, or in the absence of local codes, with the latest revision of the National Electrical Code. ANSI/NFPA No. 70 and the Canadian Electrical Code C.22.1 Part 1.

This dryer is equipped with a three-prong plug on the power supply cord, which must be plugged into a properly grounded three-prong wall receptacle for your protection against possible shock hazard. Where the proper receptacle is not installed, we strongly recommend that properly grounded three-prong wall receptacle be installed by a qualified electrician in accordance with the National Electrical Code, Canadian Electrical Code, and local codes and ordinances.

**THREE PRONG
GROUNDING PLUG
POWER SUPPLY CORD.**



**APPROVED GROUNDING
TYPE WALL RECEPTACLES.**

GAS CONNECTIONS

THE INSTALLATION MUST CONFORM WITH LOCAL CODES or in the absence of local codes, with the latest revision of the National Fuel Gas Code, ANSI Z223.1 or CAN1-B149.

The gas inlet connection at the rear of the dryer is equipped with a $\frac{3}{8}$ " - 18 N.S. pipe thread. The supply line must be $\frac{1}{2}$ " black rigid pipe (pipe size should be increased for runs longer than 20 feet). If local codes permit, it is recommended that the dryer be connected to the gas supply with approved semi-rigid metal tubing and listed connectors not over 6 feet long.

⚠ CAUTION: Moderate pressure is all that is required to make a tight joint. Do not use excessive force as damage to the valve may occur.

A $\frac{1}{8}$ " NPT plugged tapping, accessible for test gauge connection, must be installed upstream of the gas supply connection to the dryer. This work must be done by a qualified person.

Use an approved pipe seal compound that is resistant to L.P. gas on all pipe thread connections.

The National Fuel Gas Code, ANSI Z223.1 or CAN1-B149, requires that an acceptable, approved manual gas shut off valve be installed within 6 feet of the dryer.

To gain access to main gas valve, remove front panel (see Step #1 thru 3) under Bottom Exhausting, Page 5.)

CHECK ALL CONNECTIONS FOR LEAKS WITH SOAP AND WATER.

DO NOT PURGE GAS LINE

AUTOMATIC IGNITION

This dryer is equipped with an automatic ignition system which does not require a manual lighting procedure. Start the dryer and the system should purge itself and ignite.

When starting the dryer you may hear the gas ignite. This sound is normal and should be no cause for alarm.

TURN OFF GAS AND UNPLUG BEFORE CONTINUING INSTALLATION.

BURNER ADJUSTMENT

No gas adjustment is necessary at normal altitudes since the gas flow is controlled by a fixed-sized orifice for the main burner. For altitudes above 2,000 feet, the input must be reduced by 4% for each 1,000 feet above sea level. In some locations the gas utility has reduced the B.T.U. content of the gas to provide this compensation. In other locations, the burner orifice must be changed. Consult your dealer or local gas utility for further information.

GAS SUPPLY PRESSURE TESTING

Pressure testing of the Gas Supply Piping System:

1. Test pressure in excess of $\frac{1}{2}$ psig (3.45 KPA). The dryer must be disconnected from the gas supply piping system at the inlet gas pipe connection.
2. Test pressures equal to or less than $\frac{1}{2}$ psig (3.45 KPA). The dryer must be isolated from the gas supply piping system by closing the manual shut-off valve.

GAS VALVE INLET PRESSURE TESTING

Manifold pressure is preset to $3\frac{1}{2}$ inch W.C. and does not require adjustment. A $\frac{1}{8}$ NPT plugged pressure tap is available in the gas valve body for test. To check the pressure proceed as follows:

- a) Disconnect electric cord.
- b) Raise the top of the dryer as shown in FIG. #2, page 5.
- c) Remove the front panel by removing two screws inside the top corners of the front panel disconnecting the door switch wires and hinging the front panel outward then lifting up.
- d) Be sure the manual valve is off.
- e) Remove the plug and install pressure tap.
- f) Route pressure hose downward past the front of the base between front panel hinges.
- g) Re-install front panel over pressure tap hose.
- h) Connect the gauge, turn manual valve on the supply pipe, check with dryer in operation.

SHUTDOWN INSTRUCTIONS

To shutdown the dryer either turn timer to off position or open the door then turn timer to off position. Turn Manual Gas Shut Off Valve to OFF. Unplug Dryer.

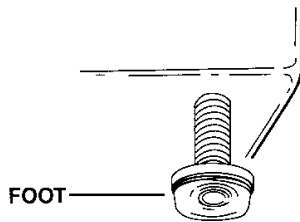
BEFORE OPERATING YOUR DRYER READ ALL SAFETY PRECAUTIONS LISTED IN THE OPERATING INSTRUCTIONS.

IMPORTANT SAFETY NOTICE AND WARNING

The California Safe Drinking Water and Toxic Enforcement Act of 1986 (Proposition 65) requires the Governor of California to publish a list of substances known to the State of California to cause cancer or reproductive harm, and requires business to warn customers of potential exposures to such substances.

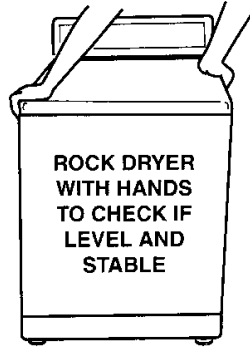
Users of this appliance are hereby warned that the burning of gas can result in low-level exposure to some of the listed substances, including benzene, formaldehyde and soot, due primarily to the incomplete combustion of natural gas or liquid petroleum (LP) fuels. Exhaust ducts should be kept free of obstructions and properly exhausted dryers will minimize exposure.

1. LEVELING



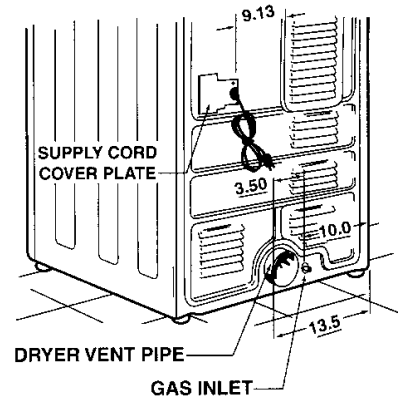
Set all leveling feet at same height. A minimum of 1/2" clearance between the machine and the floor is recommended. Adjust to match the height of your washer.

2. STABILITY



Place dryer in the location where it will be used. Check, by rocking dryer with hands on opposite corners, that all four (4) feet are in firm contact with the floor. If it rocks, adjust as needed.

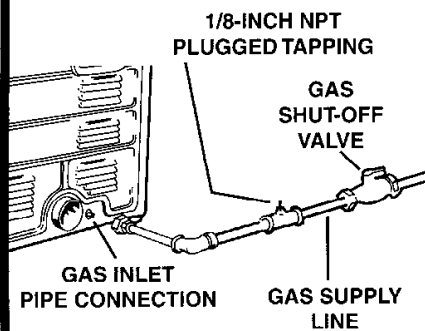
3. SERVICE CONNECTION



There are three (3) service connections to your dryer, all located on the back.

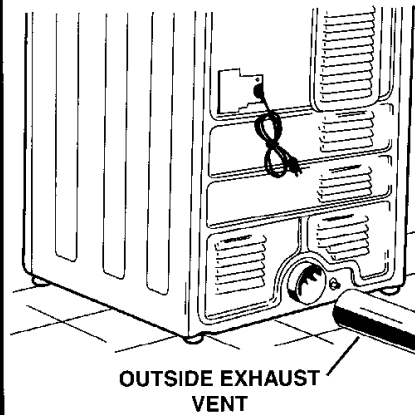
4. GAS CONNECTION

(DO NOT PURGE GAS LINE)



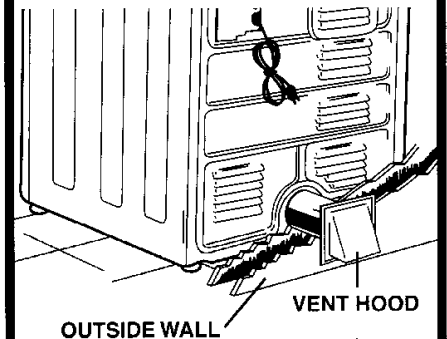
⚠ Check all connections for leaks. Coat the threads with pipe seal compound, then connect the gas supply line to the gas inlet on the dryer.

5. EXHAUST VENTING



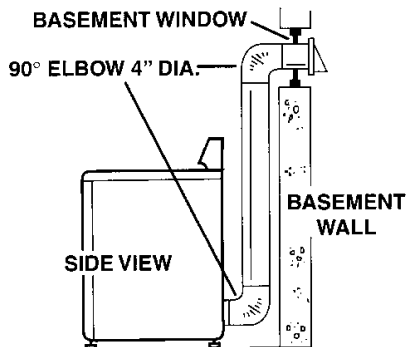
ALL GAS DRYERS MUST BE VENTED TO THE OUTDOORS.

6. OUTSIDE WALL



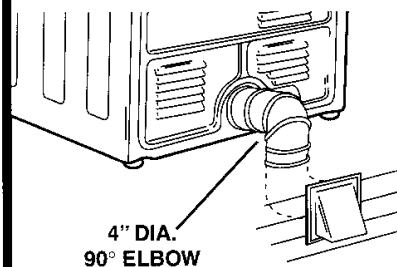
Attach dryer vent pipe to outside exhaust vent. Outside exhaust vent should fit over dryer vent pipe to avoid catching lint. Tape all joints with heat duct tape.

6A. BASEMENT WALL



In basements, the exhaust can be elevated by installing elbows to raise the vent hood above the ground level.

6B. FLOOR EXHAUSTING



If space permits, a 4" dia. elbow pointed downward through the floor may be used. If not possible, the dryer may be exhausted through the bottom as illustrated later in this manual.

EXHAUST VENTING REQUIREMENTS

ALL GAS DRYERS MUST BE VENTED OUTDOORS



FIRE HAZARD

NEVER CONNECT EXHAUST INTO ANY GAS VENT, DUCT, CHIMNEY, WALL, CEILING, ATTIC, CONFINED OR CONCEALED SPACE, BEDROOM, BATHROOM, CLOSET, OR UNDER A BUILDING.

NEVER USE PLASTIC OR OTHER COMBUSTIBLE DUCTWORK.

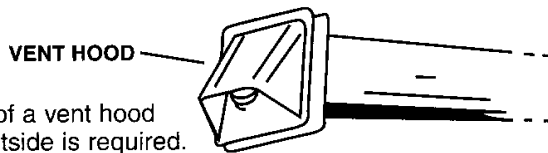
MULTIPLE INSTALLATIONS REQUIRE INDIVIDUAL EXHAUST SYSTEMS.

DRYERS INSTALLED IN A MANUFACTURED (MOBILE) HOME MUST BE VENTED OUTDOORS.

PERIODICALLY CLEAN LINT FROM VENT SYSTEM. CLEAN FREQUENTLY IF USING MAXIMUM LENGTH OF VENT.

Exhausting can be accomplished directly from the rear of the cabinet, through right side of the cabinet, or downward through the cabinet base. If your existing ductwork is plastic, nonmetal, or combustible, replace it with METAL. Standard four inch diameter galvanized or aluminum pipe should be used. DO NOT use any pipe which may be susceptible to rust or COMBUSTION. To avoid catching lint the crippled end of each pipe section should face away from the dryer. Do not use screws or other fasteners that extend into the exhaust pipe or duct.

Flexible 4" diameter metal tubing may be used for exhausting the dryer. However, the convolutions create a greater restriction than pipe and serious blockage can result if the tubing is bent too sharply. If clearance to the wall is less than 8 inches, use a 4" sheet metal elbow at the rear of the dryer to avoid a sharp bend in the tubing. Do not use over 8 feet of flexible metallic tubing between the elbow and the vent hood.



The use of a vent hood on the outside is required.

When the dryer stops the damper automatically closes to prevent drafts and the entrance of insects and rodents. To avoid restricting the outlet, maintain a minimum 8 inch clearance between the hood and the ground or other obstruction.

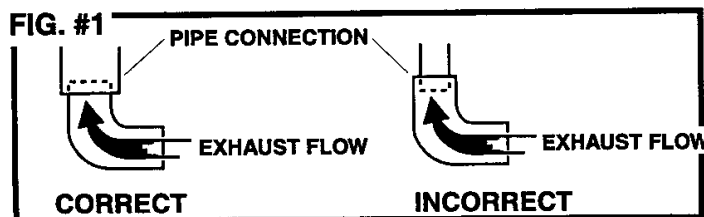


FIG. #1

LENGTH OF VENT
Maximum Length of 4" Rigid Duct

Number of 90° Turns Separated by at least 4 ft. of Straight Run	VENT HOOD TYPE	
	OPENING	OPENING
0	45 feet	30 feet
1	35 feet	20 feet
2	25 feet	10 feet

BOTTOM EXHAUSTING

If space permits behind the dryer, a 4" elbow pointed downward may be used to pass the exhaust system through the floor. If this is not possible, the dryer may be exhausted through the bottom as illustrated in FIG. #4. When exhausting in this manner, the installation should be made according to the following steps:

1. Disconnect electric cord.
2. Raise the top of the dryer by pressing in with a putty knife on the top panel retaining clips. See FIG. #2.

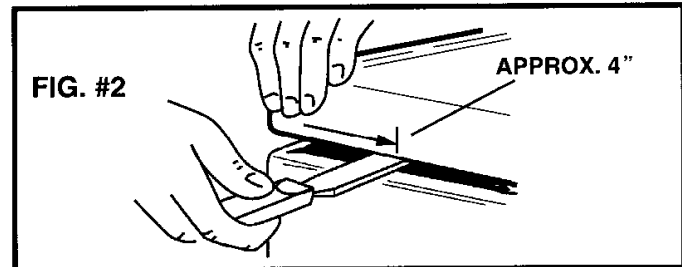


FIG. #2

3. Remove front panel by removing two 1/4" screws inside top corners of front panel. Disconnect door switch wires. NOTE position of front seal before removing front panel.
4. Remove the cylinder as follows:

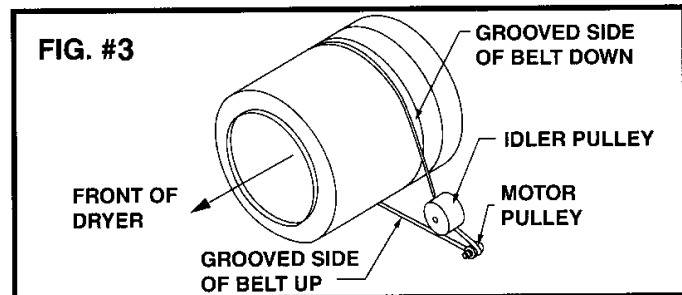
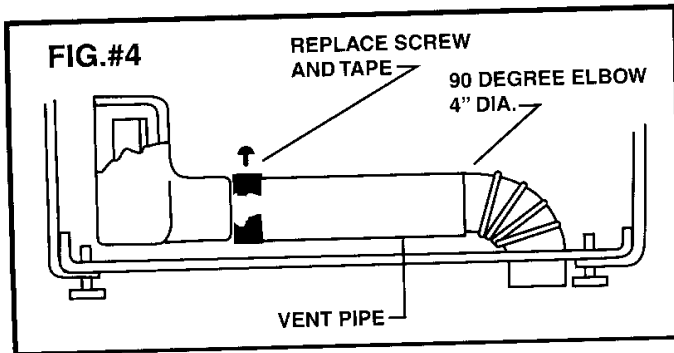


FIG. #3

- a. Force idler pulley to the right and remove cylinder belt from idler and motor pulleys. See FIG. #3.
 - b. Lift up and turn cylinder to clear the roller supports.
 - c. Lift out of cabinet.
5. Remove tape and screw securing dryer vent pipe. FIG. #4.
 6. Remove the 4" dryer vent pipe and shorten to a suitable length. Length depends on type of elbow purchased.
 7. Remove knockout from dryer base.
 8. Place dryer in position and mark duct location on floor. Check floor joist location before sawing hole in floor.

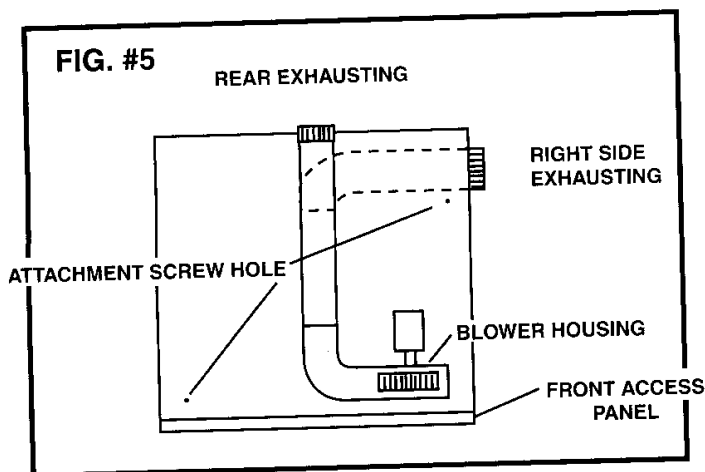
9. Saw a 4 1/8" hole in floor and position dryer.
10. Secure the shortened pipe to the blower housing with a screw at the top and seal all joints with tape or silicone bathtub caulk.
11. Install a 4" 90 degree elbow as shown in FIG. #4.



12. Seal rear opening of cabinet with the cover plate provided with your dryer. Located with literature. Attach cover plate to rear of the cabinet with #8 sheet metal screws or duct tape. (not supplied)
13. Place cylinder belt around cylinder with grooved side toward cylinder. FIG. #3.
14. Reinstall cylinder by pushing and turning until rollers are snapped in cylinder grooves and cylinder turns freely.
15. Position cylinder belt with grooved side around motor pulley. Pull idler pulley right until smooth side of belt can be routed around left side of idler pulley. FIG. #3.
16. Rotate cylinder counter-clockwise to position belt..
17. Replace dryer front and reconnect door switch wires. Make sure the front seal is in the original position.
18. Complete exhaust system to outdoors.

RIGHT SIDE EXHAUSTING

Figure #5 illustrates a typical right side exhaust venting pipe connections inside the dryer cabinet. When exhausting the dryer from the side, the cabinet knockout must be removed.



A 4" 90 degree elbow and length of 4" metal exhaust pipe must be purchased. Shorten the rear exhaust pipe inside the dryer as required. (Length will depend on type of elbow purchased.) Secure the shortened pipe to the Blower Housing with a screw at the top, attach elbow and metal exhaust pipe, and seal all joints with tape or silicone bathtub caulk.

When exhausting from the side, the installation should be made according to the steps described in **BOTTOM EXHAUSTING** and as noted above.

SPECIAL REQUIREMENTS FOR MANUFACTURED (MOBILE) HOME INSTALLATIONS

Follow steps outlined for installation with these exceptions:

When installed in a manufactured (mobile) home:

1. **THE DRYER INSTALLATION** must conform to the Manufactured Home Construction and Safety Standard, Title 24 CER, Part 32-80 (formerly the Federal Standard for Mobile Home Construction and safety, Title 24, HUD (Part 280, 1975).
2. **A GAS SHUT OFF VALVE** with a non-displaceable rotor must be installed in the gas supply piping. This valve must be located within the living space of the manufactured (mobile) home and within 3 feet of the dryer.
3. **THE DRYER** must have an exhaust duct which extends to the outside atmosphere with the termination securely fastened to the mobile home structure and which is fabricated of a material that will not support combustion. Standard four inch diameter galvanized or aluminum pipe should be used. The dryer must be attached to the manufactured (mobile) home structure as follows:
 - a. Dismantle the dryer as described in bottom exhausting.
 - b. Buy two #10 x 1 1/5" round head wood screws. Drive them through the attachment screw holes of the base into the floor. See FIG. #5 for location.
 - c. Reassemble the dryer.
4. **THE EXHAUST DUCT** must be exhausted to the outside using metal ducting. It should not terminate beneath the manufactured (mobile) home.
5. **THE VENT HOOD** must be securely fastened to the manufactured (mobile) home structure.

THIS DRYER IS NOT SUITABLE FOR USE IN RECREATION VEHICLES SUCH AS TRAVEL TRAILERS, CAMPERS, OR MOTOR HOMES.

FINAL CHECK OUT

1. After your gas dryer has been installed, turn on all manual shut-off valves. Double check for gas leaks.
2. Plug dryer in. **NEVER USE AN EXTENSION CORD.**
3. Following your operating instructions, operate the dryer briefly on all control settings. A slight odor may be noticed with a new machine.
4. Allow empty dryer to operate on highest heat setting for a few minutes.
5. Stop dryer and wipe inside of cylinder with a clean cloth.
6. Wipe fingerprints and dirt from outside of dryer with soft cloth.