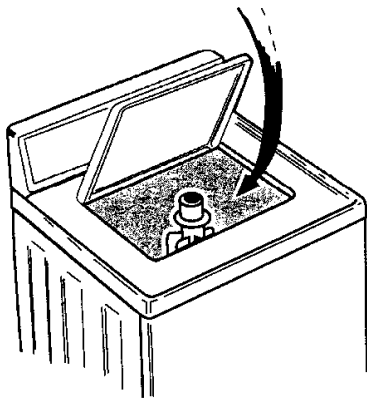
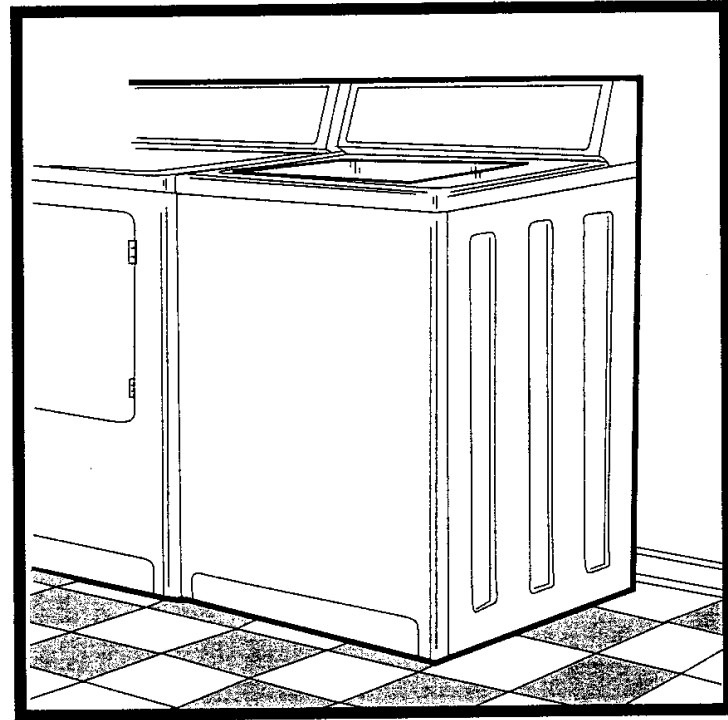


INSTALLATION INSTRUCTIONS FOR AUTOMATIC WASHERS

PLEASE READ All Installation Instructions and Requirements Before Installing.

FOR YOUR SAFETY AND THE PROPER OPERATION OF YOUR NEW WASHER, THE WASHER MUST BE INSTALLED IN ACCORDANCE WITH ALL THE INSTALLATION REQUIREMENTS.

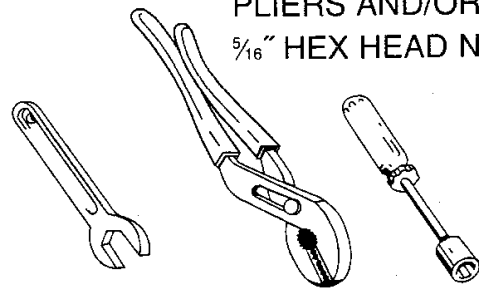
REMOVE CARDBOARD RETAINER FROM INSIDE WASHER. IT CONTAINS WATER FILL HOSES, DRAIN HOSE, TIE STRAP, LITERATURE AND PARTS BAG. SAVE LITERATURE FOR FUTURE REFERENCE.



RETAPE DOOR.

TOOLS REQUIRED:

$\frac{3}{4}$ " OPEN END WRENCH
PLIERS AND/OR VICE GRIPS
 $\frac{5}{16}$ " HEX HEAD NUTDRIVER



CAUTIONS



READ OPERATIONS MANUAL BEFORE OPERATING WASHER.



DO NOT CONNECT WASHER TO POWER SOURCE UNTIL INSTALLATION IS COMPLETED.



LOCATE WASHER IN DRY WEATHER-PROOF AREA THAT CAN SUPPORT WEIGHT OF FULL WASHER.



POWER OUTLET MUST BE GROUNDED 120V AC 60 HZ. DO NOT USE AN EXTENSION CORD.

INSTALLATION INSTRUCTIONS

PLEASE READ All Installation Instructions and Requirements Before Installing.

1. REMOVE SHIPPING BASE

NOTE; DO NOT LOWER OR RAISE THE WASHER BY THE BACKGUARD.

- Position corner posts on floor as shown (step one).
- Carefully lay washer on its back on top of the corner posts.

NOTE: A small amount of water may run from the pump due to factory tests.

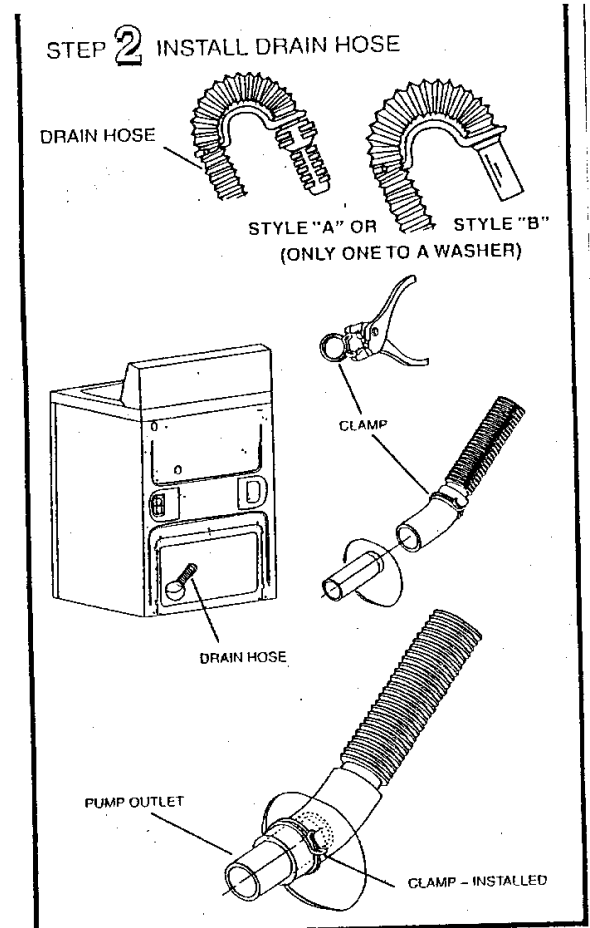
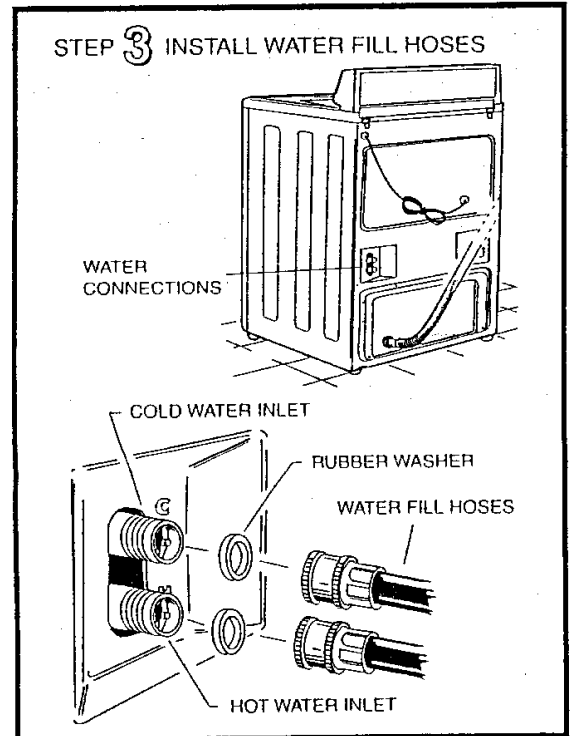
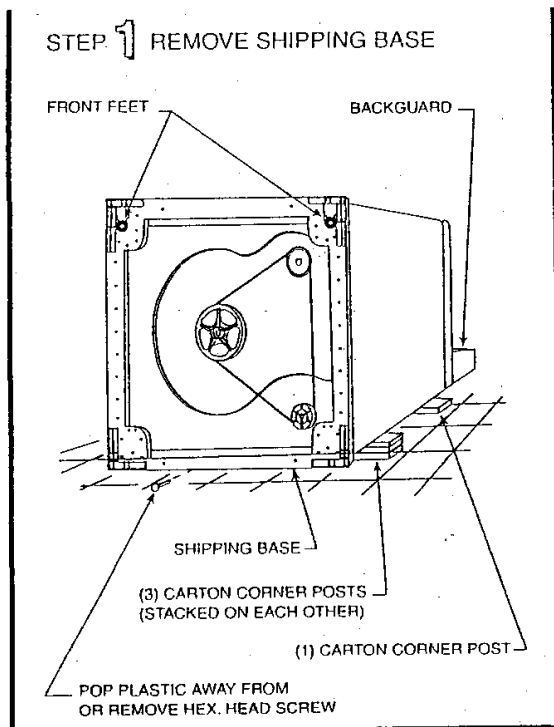
- Pop plastic loose from screw located between the back feet, or remove screw entirely with a $\frac{3}{16}$ " Hex Head Nutdriver.
 - Pull plastic base away from back feet.
 - Grasping plastic base on sides pull downward to release front feet from slots and toward you to remove base.
 - Discard base. (Base can be recycled.)
- g. RETURN WASHER TO UPRIGHT POSITION.

2. INSTALL DRAIN HOSE

Position the Hose Clamp over the end of the Drain Hose. Push the Drain Hose on to the Pump Outlet of the Washer. Be sure to position the hose in the direction of the standpipe, squeeze the clamp ears with pliers and move clamp toward washer so as to clamp hose securely to pump outlet.

3. INSTALL WATER FILL HOSE

Place a flat rubber washer in one end of each of the water fill hoses provided, making sure the washers are pushed in tightly. Attach the hose end with the flat washers to the water connections. Hot and cold connections are identified by H & C stamped in the cabinet, and "HOT" printed on the hose. Tighten hose connections by hand, until snug, and then another $\frac{3}{8}$ turn with pliers.



INSTALLATION INSTRUCTIONS

PLEASE READ All Installation Instructions and Requirements Before Installing.

4. ADJUST LEVELING FEET

Your washer is equipped with self stabilizing legs on the rear which automatically stabilize the unit.

The front legs are threaded and can be adjusted up and down to level your unit.

Proceed as follows:

- Position your washer as close to its final operating location as possible.
- Make sure rear feet move up and down freely.
- Place washer in final operating position.
- Tilt machine forward until rear of cabinet is approximately 4 inches off the floor, turn the machine loose letting it fall on the rear feet. This operation will cause the rear stabilizing feet to conform to the contour of the floor and seat them solidly. Rock washer with hands on opposite corners to check stability.

FRONT FOOT ADJUSTMENT FOR SIDE TO SIDE LEVELING. (IF MACHINE IS NOT STABLE)

- Loosen the locknuts on each leg, making sure they turn freely on the threads.
- When the machine is in place, screw front feet out of base against the floor until the washer is acceptably level across the front.
- While holding foot still, turn the adjusting locknut clockwise until the locknut is tightened firmly against base. Repeat step 4d above.

5. DRAIN HOSE TO STANDPIPE

STYLE A: Push the cuff on the gooseneck end of the drain hose into the standpipe as far as possible. Do not seal drain hose and standpipe as an airtight seal will cause siphoning (fill problems).

STYLE B: Put the gooseneck end of the drain hose into the standpipe or laundry tub. The drain hose should fit loosely in your standpipe as there is a possibility of siphoning if it fits too tightly.

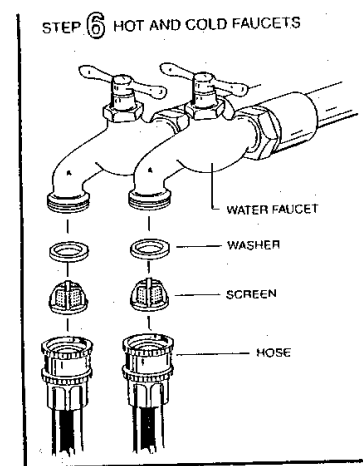
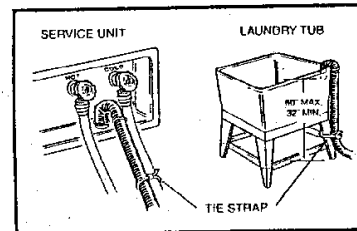
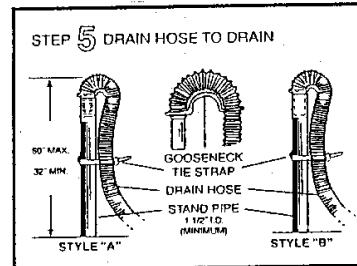
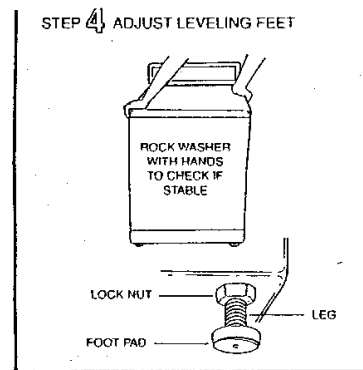
NOTE: If you must make an airtight seal, an anti-siphon break kit must be used.

BOTH: To prevent accidental dislodging, secure the drain hose to the standpipe, laundry tub or inlet hose with the TIE STRAP provided.

NOTE: BE SURE THE DRAIN HOSE IS NOT TWISTED OR KINKED.

6. HOT AND COLD FAUCETS

Push the screens and washers (provided in the parts bag) into the remaining ends of the water hoses. Attach the water hoses to the hot and cold faucets. **BE SURE HOT WATER INLET IS CONNECTED TO HOT WATER FAUCET.** Tighten by hand until snug, and then a 1/8 turn with pliers. **DO NOT OVERTIGHTEN.** Turn on faucets and check for leaks. Tighten to stop leaks, if necessary.



FINAL CHECK OUT

- Have all installation requirements been observed?
- Have locknuts on both front feet been tightened and are foot pads in place?
- Are there any kinks in hoses?
- Are any water leaks evident?
- Plug the power cord into an outlet?
- A protective plastic film may cover control panel.
- This should be removed.
- Start the washer in wash cycle, as per Operating Instructions. Allow water to fill in machine until it reaches the bottom row of holes in the wash basket.
- To stop washer, push in on timer knob. If the water is not level with the bottom row of holes all around the basket, readjust the leveling feet as required to level. Remove the water.
- Putting washer into spin cycle.
- During spin check drain system for leaks and proper operation.

INSTALLATION REQUIREMENTS

PLEASE READ All Installation Instructions and Requirements Before Installing.

GENERAL INFORMATION

It is recommended that a qualified service technician install your washer.

LOCATION

INSTALL WASHER ON A SOLID FLOOR.

Wood floor constructions may sometimes need to be reinforced to minimize vibration from unbalanced load situations. Carpets and soft tile surfaces are also contributing factors in vibration and/or tendency for a washer to move slightly during spin cycle.

Never install washer on a platform or weak support structure.

DO NOT INSTALL THE WASHER ON A CARPETED FLOOR.

DO NOT INSTALL OR STORE THE WASHER where it will be exposed to the weather. If it is ever exposed to water, have a qualified technician check it before using.

Installation in any location subject to freezing temperatures is not recommended. If the washer must be installed in such a location, it should be thoroughly drained after each use as follows:

- Turn off hot and cold water faucets.
- Disconnect both water fill connections at the faucets. Lower them to the floor.
- With the service cord connected to the electrical outlet, rotate the timer to the normal start of fill position and pull timer knob to start washer. Turn water temperature selector switch to warm.
- When water stops draining from the hoses, disconnect service cord.
- Lower the drain hose to the floor and allow it to drain into a floor drain or shallow pan.

In below freezing temperatures, ice may form in the "fill" flume. Raise the room temperature and allow time for the ice to melt before using the washer.

WATER SUPPLY REQUIREMENTS

- Hot and cold water must be available at a pressure between 25 and 125 P.S.I. at the machine. If less, it will take longer to fill and complete the cycle.
- Shut-off faucets with standard hose connectors should be available in both hot and cold water lines so that the water can be turned off when the washer is not in use. Always turn the water off the washer is not in use, especially when vacationing.
- The installation should be in accordance with local plumbing code requirements.

DRAIN REQUIREMENTS

A drain that will permit 23 gpm flow is required to evacuate the washer. The standpipe should have a 1½ in. minimum internal diameter to prevent siphoning.

Tight connections between the drain hose and the drain (standpipe, etc.) are not recommended since they violate

most plumbing codes. In most cases where a tight connection is demanded, an anti-siphon valve should be placed in the drain hose to prevent water from siphoning from the washer or facility during agitation. If required, an anti-siphon valve Part No. 33-4294N is available from your dealer or store.

ELECTRICAL REQUIREMENTS

- Provide an individual 120 volt, 60 HZ, branch circuit with ground for the washer. This circuit must be rated for 15 or 20 amperes.
- Protect the washer's electrical circuit with a 15 or 20 ampere time delay fuse or circuit breaker.
- Install in accordance with National Electrical Code and all local codes and ordinances.

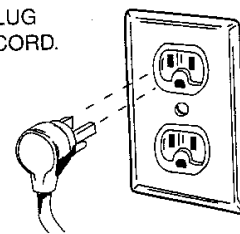
GROUNDING INSTRUCTIONS

The washer must be grounded. In the event of a malfunction of breakdown, grounding will reduce the risk of electrical shock by providing a path of least resistance for electric current.

The washer is equipped with a power supply cord which has a grounding conductor and three-prong grounding plug. For proper grounding, the three-prong grounding plug must be plugged in an appropriate three-prong grounded receptacle or outlet. See Figure #1. The receptacle must be properly installed and grounded in accordance with the National Electrical Code and all local codes and ordinances.

FIG. 1

THREE PRONG
GROUNDING PLUG
POWER SUPPLY CORD.



APPROVED GROUNDING
TYPE WALL RECEPTACLE

(NEMA NO. 5 15R)
OR EQUIVALENT

⚠ WARNING

ELECTRICAL HAZARD

Improper connection of the grounding conductor or the three-prong grounding plug of the power supply cord may result in an electrical shock hazard. If there is any doubt as to whether the washer is properly grounded, have the installation checked by a qualified electrician or service technician.

DO NOT MODIFY THE PLUG PROVIDED WITH THE WASHER - If the plug will not fit the outlet, have a proper outlet installed by a qualified electrician.

BEFORE OPERATING YOUR WASHER READ ALL SAFETY PRECAUTIONS LISTED IN THE OPERATING INSTRUCTIONS.