

INSTALLATION INSTRUCTIONS

Side by Side Refrigerators

With Design Guide

ELEVATE EVERYTHING

MONOGRAM

Safety Information

BEFORE YOU BEGIN

Read these instructions completely and carefully.

- **IMPORTANT** – Save these instructions for local inspector's use. Observe all governing codes and ordinances.
- **Note to Installer** – Be sure to leave these instructions with the Consumer.
- **Note to Consumer** – Keep these instructions with your Owner's Manual for future reference.

If you received a damaged unit, you should immediately contact your dealer or builder.

Skill Level – Installation of this unit requires basic mechanical, carpentry and plumbing skills. Proper installation is the responsibility of the installer. Product failure due to improper installation is not covered under the Monogram Warranty. See the Owner's Manual for warranty information.

⚠ WARNING **Electrical Shock Hazard.**

Plug into a grounded 3-prong outlet.

Do not remove the ground prong.

Do not use an adapter.

Immediately discontinue use of a damaged supply cord.

If the supply cord is damaged it must be replaced by a qualified service professional with an authorized service part from the manufacturer.

Do not use an extension cord with this appliance.

Failure to follow these instructions can result in death, fire, or electrical shock.

Follow the instructions in the section Grounding the unit.

This appliance must be installed with a means in the fixed house wiring or circuit breaker for disconnecting the appliance from the electrical supply after installation.

⚠ WARNING **Tip Over Hazard.**

These appliances are top heavy, especially with any doors open, and must be secured to prevent tipping forward which could result in death or serious injury. Read and follow the entire installation instructions for securing the appliance with the anti-tip system.

⚠ WARNING **Explosion Hazard.**

Keep flammable materials and vapors, such as gasoline, away from appliance. Failure to do so can result in fire, explosion, or death.

⚠ WARNING To reduce the risk associated with choking, do not allow children under 3 years of age to have access to small parts during the installation of this product.

⚠ CAUTION **Lifting Hazard**

This refrigerator is very heavy. To reduce the risk of person injury during maneuvering and installing this refrigerator, 3 people are required for proper installation of 36" wide model and 4 people are required for proper installation of a 42" or 48" wide model.

⚠ CAUTION Keep fingers out of the "pinch point" areas; clearances between the doors and between the doors and cabinet are necessarily small. Be careful closing doors when children are in the area.

For Monogram local service in your area, call 1.800.444.1845 or visit monogram.com.

For Monogram service in Canada, call 1.800.561.3344

For Monogram Parts and Accessories, call 1.800.444.1845 or visit monogram.com.

Consignes de Sécurité

AVANT DE COMMENCER

Veillez lire toutes ces instructions attentivement.

- **IMPORTANT** – Conservez ces instructions à l'usage de l'inspecteur local. Observez tous les codes et décrets en vigueur.
- **Note à l'installateur** – Assurez-vous de laisser ces instructions au consommateur.
- **Note au consommateur** - Conservez ces instructions avec votre manuel d'utilisation pour consultation ultérieure.

Si vous avez reçu un appareil endommagé, veuillez communiquer immédiatement avec votre revendeur ou votre entrepreneur.

Niveau de compétence – L'installation de cet appareil exige des compétences de base en mécanique, menuiserie et plomberie. La responsabilité d'une installation adéquate relève de l'installateur. La garantie Monogram ne couvre pas les défauts du produit causés par une installation inadéquate. Consultez le manuel d'utilisation pour des renseignements sur la garantie.

AVERTISSEMENT Risque d'électrocution.

Branchez l'appareil dans une prise à 3 broches mise à la terre. N'enlevez pas la broche de mise à la terre. N'utilisez pas un adaptateur.

Cessez immédiatement l'utilisation d'un cordon électrique endommagé. Si le cordon électrique est endommagé, son remplacement doit être exécuté par un technicien en réparation qualifié au moyen d'un cordon de rechange autorisé par le fabricant.

N'utilisez pas un cordon de rallonge avec cet électroménager.

Le non-respect de ces instructions peut occasionner un décès, un incendie ou un choc électrique.

Suivez les instructions de la section Mise à la terre de l'appareil.


Le circuit électrique auquel cet électroménager sera raccordé doit comporter un disjoncteur ou un autre dispositif permettant de couper l'alimentation électrique à l'appareil après l'installation.

AVERTISSEMENT Risque de basculement.

Ces électroménagers sont lourds du haut, notamment lorsqu'une porte est ouverte, de sorte qu'ils doivent être fixés pour prévenir un basculement vers l'avant susceptible d'occasionner des blessures graves ou la mort. Lisez et observez la totalité des instructions d'installation pour connaître la façon de fixer l'électroménager sur le dispositif antibasculement.


AVERTISSEMENT Risque d'explosion.

Gardez les matières et les vapeurs inflammables telles que l'essence à distance de l'électroménager. L'omission de prendre cette précaution peut entraîner un incendie, une explosion ou la mort.

 **AVERTISSEMENT** Pour réduire le risque d'étouffement pendant l'installation de ce produit, ne pas laisser les petites pièces à la portée des enfants âgés de moins de 3 ans.

ATTENTION Risque lié à la manipulation d'un objet lourd

Ce réfrigérateur est très lourd. Pour réduire le risque de blessure lors de la manutention de ce réfrigérateur, trois (3) personnes sont nécessaires pour procéder à l'installation appropriée du modèle 36 pouces, quatre (4) pour l'installation des modèles 42 ou 48 pouces.

 **ATTENTION** Gardez vos doigts éloignés des points de pincement. Les espaces entre les portes et ceux entre les portes et l'armoire sont particulièrement restreints. Soyez prudent lorsque vous fermez les portes en présence d'enfants.

Pour joindre le service Monogram de votre région, composez le 1.800.444.1845 ou visitez monogram.com.

Pour le service Monogram au Canada, composez le 1.800.561.3344.

Pour le service des Pièces et accessoires Monogram, composez le 1.800.444.1845 ou visitez monogram.com.

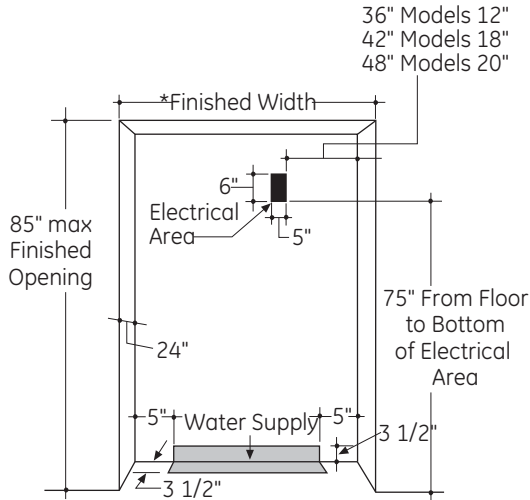
Contents

Safety	2, 3	Installation Instructions	
Instructions for Standard Installation	5-22	Tools, Hardware, Materials	31
Planning Guide		Grounding the Unit	29
The Installation Space	6	Step 1. Remove Packaging	32
Dimensions and Clearances	6	Step 2. Move the Refrigerator into the House	32
Customization Basics	7	Step 3. Install Water Line	32
Side Panels	7	Step 4. Installation with Water Filtration System	33
Refrigerator Location	7	Step 5. Install Side Panels	33
1/4" Framed Panel Dimensions	8	Step 6. Install Case Trim	33
3/4" Overlay Panel Dimensions	9	Step 7. Anti-Tip Procedure	33-34
130° Door Swing	10	Step 8. Level Refrigerator	34
90° Door Swing	11	Step 9. Adjust Door Swing	35
Dispenser Trim	12	Step 10. Install Grille Panel	36
Installation Instructions		Step 11. Install 1/4" Framed Panels	37
Tools, Hardware, Materials	13	Step 11A. Install Overlay Panels	38
Grounding the Unit	13	Step 12. Connect Water Supply	39
Step 1. Remove Packaging	14	Step 13. Connect Power, Close Grille Panel	39
Step 2. Move the Refrigerator into the House	14	Step 14. Start Icemaker	39
Step 3. Install Water Line	14	Step 15. Install Toekick	40
Step 4. Installation with Filtration System	15	Inspect Final Installation	40
Step 5. Install Side Panels	15	Instructions for Stainless Steel Installation	41-49
Step 6. Anti-Tip Procedures	15	Planning Guide	
Step 7. Level Refrigerator	16	The Installation Space	42
Step 8. Alternate Anti-Tip Procedure	16	Dimensions and Clearances	42
Step 9. Adjust Door Swing	17	Customization Basics	43
Step 10. Install Grille Panel	17	Side Panels	43
Step 11. Install 1/4" Framed Panels	18	Refrigerator Location	43
Step 11A. Install Overlay Panels	19, 20	130° Door Swing	44
Step 12. Connect Water Supply	20, 21	90° Door Swing	45
Step 13. Connect Power, Close Grille Panel	21	Installation Instructions	
Step 14. Start Icemaker	21	Tools, Hardware, Materials	46
Step 15. Install Toekick	21	Grounding the Unit	46
Inspect Final Installation	22	Step 1. Remove Packaging	47
Instructions for Flush Installation	23-40	Step 2. Moving the Refrigerator into the House	47
Planning Guide		Step 3. Install Water Line	47
The Installation Space	24	Step 4. Installation with Water Filtration System	48
Dimensions and Clearances	24	Step 5. Install Side Panels	48
Customization Basics	25	Step 6. Anti-Tip Procedure	48
Custom Handle Design Guide	25	Step 7. Level Refrigerator	49
Refrigerator Location	25	Step 8, Alternate Anti-Tip Procedure	49
Side Panels	25	Step 9. Adjust Door Swing	49
1/2" Overlay Panel Dimensions	26	Step 10. Connect Water Supply	50
3/4" Raised Panel Dimensions	27	Step 11. Connect Power, Close Grille Panel	50
3/4" Raised Door Panel Routing	28	Step 12. Start Icemaker	50
3/4" Raised Grille Panel Routing	29	Step 13. Install Toekick	51
Dispenser Trim	30	Inspect Final Installation	51
Side Cleats	30		

Instructions for Standard Installation

Design Guide - Standard Installation

THE INSTALLATION SPACE



*The finished cutout width must be:
35-1/2" (90.17 cm) for 36" models
41-1/2" (105.41 cm) for 42" models
47-1/2" (120.65 cm) for 48" models

Water And Electrical Locations

The opening must be prepared with the electrical and the cold water supply located as shown.

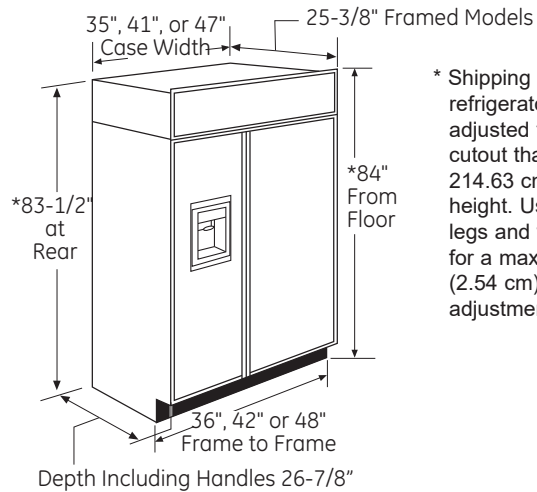
The Cutout Depth Must Be 24" (60.96 cm)

The refrigerator will project forward, slightly beyond adjacent cabinetry for standard installation.

Additional Specifications

- A 115 volt 60Hz., 15 or 20 amp power supply is required. An individual properly grounded branch circuit or circuit breaker is recommended. Install a properly grounded 3-prong electrical receptacle recessed into the back wall. Electrical must be located on the rear wall as shown.
- The water line can enter the opening through the floor or back wall. The water line should be 1/4" O.D. copper tubing or SmartConnect™ kit between the cold water line and water connection location, long enough to extend to the front of the refrigerator. Installation of an easily accessible shut-off valve in the water line is required.

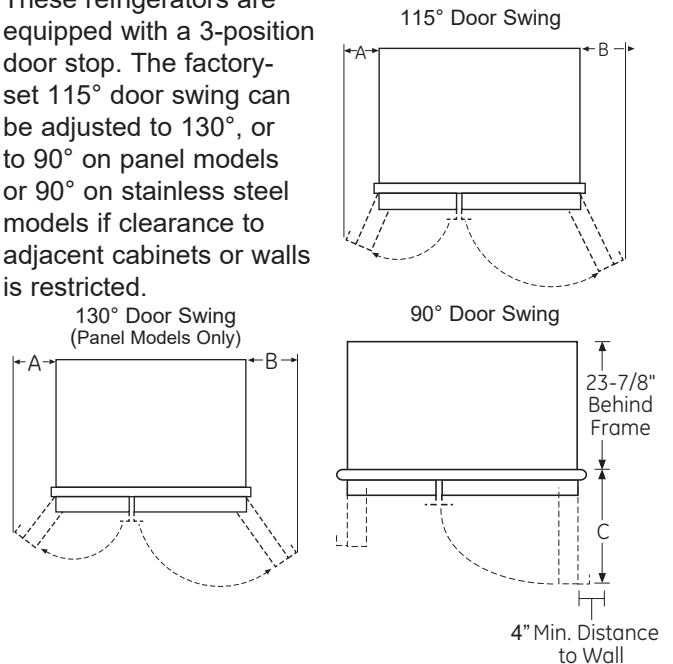
DIMENSIONS AND CLEARANCES



* Shipping height. The refrigerator can be adjusted to fit into a cutout that is 84-1/2" (214.63 cm) in height. Use leveling legs and wheels for a maximum 1" (2.54 cm) height adjustment.

Product Clearances

These refrigerators are equipped with a 3-position door stop. The factory-set 115° door swing can be adjusted to 130°, or to 90° on panel models or 90° on stainless steel models if clearance to adjacent cabinets or walls is restricted.



Models	A	B	C
36"	13" (33.02 cm)	15" (38.1 cm)	20-5/8" (52.39 cm)
42"	13" (33.02 cm)	19" (48.26 cm)	26-5/8" (67.63 cm)
48"	15" (38.1 cm)	20" (50.8 cm)	28-5/8" (72.71 cm)

Panel Models Only: Allow minimum clearances for the freezer door (Dimension A) and fresh food door (Dimension B) for a full 130° door swing and to allow for pan removal.

For a 90° door swing, allow 4" (10.16 cm) min. clearance to a wall. If the 90° door stop position is used, pan access is maintained, but pan removal is restricted. See the illustrations on pages 10 and 11 to determine door swing interaction with adjacent cabinets or countertops.

Design Guide - Standard Installation

CUSTOMIZATION BASICS:

These refrigerators are designed to be customized with decorative panels. Field installed custom door and grille panels are required.

Optional Accessory Kits

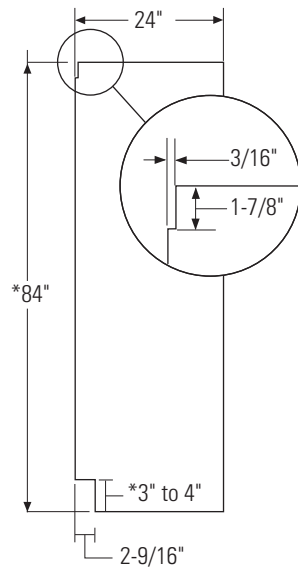
ZKHSS2: Monogram Tubular Stainless Steel handles designed to fit 3/4" (1.91 cm) overlay panels.

ZKHPSS1: Professional Tubular Stainless Steel handles designed to fit 3/4" (1.91 cm) overlay panels. Kit includes one handle. Order 2 kits for side-by-side refrigerator models from your Monogram supplier

SIDE PANELS

Side panels must be used whenever the sides of the refrigerator will be exposed. The 1/4" (0.63 cm) side panels will slip into the side case trim. Secure the panels to the refrigerator with stick-on hook and loop fastener strips. Order the side panels from the cabinet manufacturer.

- Cut a notch in the top front corner as shown to allow clearance for corner keys in the front side trim.



* Depending on installation height.

REFRIGERATOR LOCATION

- Do not install the refrigerator where the temperature will go below 55°F (13°C). It will not run often enough to maintain proper temperatures.
- Do not install the refrigerator where temperatures will go above 100°F (37°C). It will not perform properly.
- Do not install the refrigerator in a location exposed to water (rain, etc.) or direct sunlight.
- Install it on a floor strong enough to support it fully loaded.

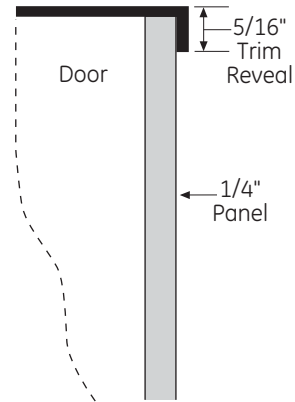
Design Guide - Standard Installation

1/4" (0.63 cm) FRAMED PANEL DIMENSIONS

If you choose to install framed panels, they must be cut to the dimensions shown. The panels will slide into the frame on the door and grille.

Non-Dispenser Models

If the custom panel is less than 1/4" (0.63 cm) thick and it fits loosely in the door frame it can be backed up with a piece of filler material or foam tape to improve the fit.



IMPORTANT NOTE: Maximum total panel weight:

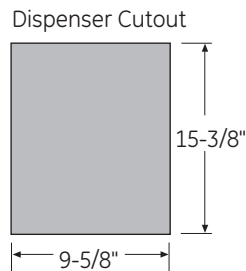
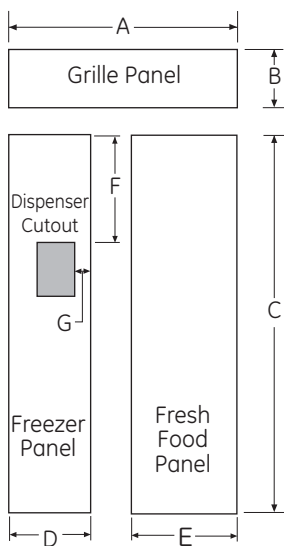
- Fresh food door panel – 75 lbs. (34.0 kg)
- Freezer door panel – 53 lbs. (24.0 kg)
- Grille Panel – 18 lbs. (8.16 kg)

IMPORTANT NOTE – DISPENSER MODELS

The refrigerator is supplied with two dispenser trims, one for framed panels and one for overlay panels.

- If the panel is less than 0.250" (0.63 cm) thick, a noticeable gap may be created around the dispenser trim. Foam tape may be applied on the door to improve the fit.
- If the panel is more than 0.250" (0.63 cm) thick, the dispenser trim cannot be secured to the door.

See **Dispenser Trim Fit Example**, page 12.



The framed panel must be 1/4" (0.63 cm) nominal thickness to fit the dispenser trim.

Side-by-Side (in inches)

	Side-by-Side (in inches)					Dispenser Cutout Position	
	A	B	C	D	E	F	G
36" Models	33-7/8	9	68-3/8	14-9/16	18-9/16	17-13/16	3-1/8
42" Models	39-7/8	9-1/2	68-3/8	14-9/16	24-9/16	17-13/16	3-1/8
48" Models	45-7/8	9-1/2	68-3/8	18-9/16	26-9/16	17-13/16	5-1/8

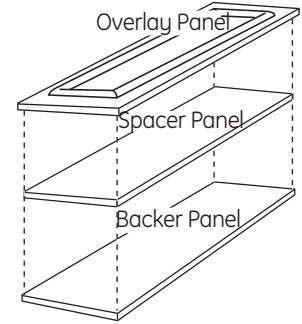
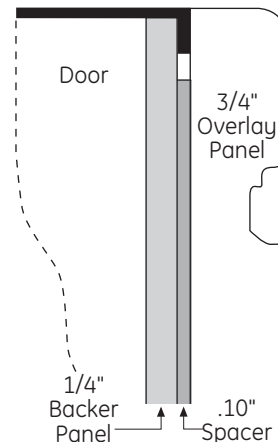
Design Guide - Standard Installation

3/4" (1.91 cm) OVERLAY PANEL DIMENSIONS

For a more custom appearance, overlay panels may be installed on trimmed models. The overlay panel must be secured to a 1/4" (0.63 cm) thick backer panel which slides into the trim. A spacer panel 0.10" (0.25 cm) thick must be placed between the overlay and backer panel.

Assemble the panels with glue and screws:

- Center the spacer panel on the backer panel, left to right and top to bottom. Secure the panels with glue.
- Center the spacer and backer panel on the overlay panel and secure with glue and screws. Screws must be countersunk into the backer panel.



NOTE: Left-to-right offset is not always equal to top-to-bottom offset.

$$.250" + .10" + .750" = 1.100" \text{ Total Panel Thickness}$$

$$0.63 + 0.25 + 1.91 = 2.79 \text{ cm}$$

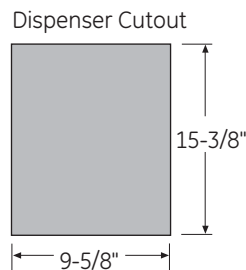
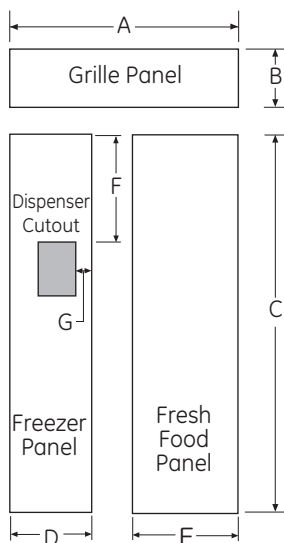
IMPORTANT NOTE – DISPENSER MODELS

The refrigerator is supplied with two dispenser trims, one for framed panels and one for overlay panels. The overlay dispenser trim is designed to fit a total panel thickness of 1.100".

- If the panel is less than 1.100" (2.79 cm) a noticeable gap may be created around the dispenser trim.
- If the panel is more than 1.100" (2.79 cm) the dispenser trim cannot be secured to the door.

See Dispenser Trim Fit Example, page 12.

- The overlay panel must be constructed according to the specifications shown to achieve the correct total thickness.
- Alternative panel construction methods such as securing a 3/4" (1.91 cm) panel to a 1/4" (0.63 cm) backer panel cannot be used. Another method, routing a 3/4" (1.91 cm) thick panel on all sides, cannot be used. These methods will not result in the required 1.100" (2.79 cm) panel thickness.



*Cut the dispenser opening after the backer, spacer and overlay panels have been assembled.

IMPORTANT NOTE: Maximum total weight for the assembled panels:

- Fresh food door panel – 75 lbs. (34.0 kg)
- Freezer door panel – 53 lbs. (24.0 kg)
- Grille Panel – 18 lbs. (8.16 kg)

36" Side-by-Side (in inches)

	A	B	C	D	E	Dispenser Cutout Position	
	A	B	C	D	E	F	G
1/4" Backer Panel	33-7/8	9	68-3/8	14-9/16	18-9/16		
.10" Spacer Panel	33	8-3/8	67	13-1/4	17-1/4		
3/4" Overlay Panel	34-1/8	9-1/4	68-5/8	14-13/16	18-13/16	17-13/16	3-1/4

42" Side-by-Side (in inches)

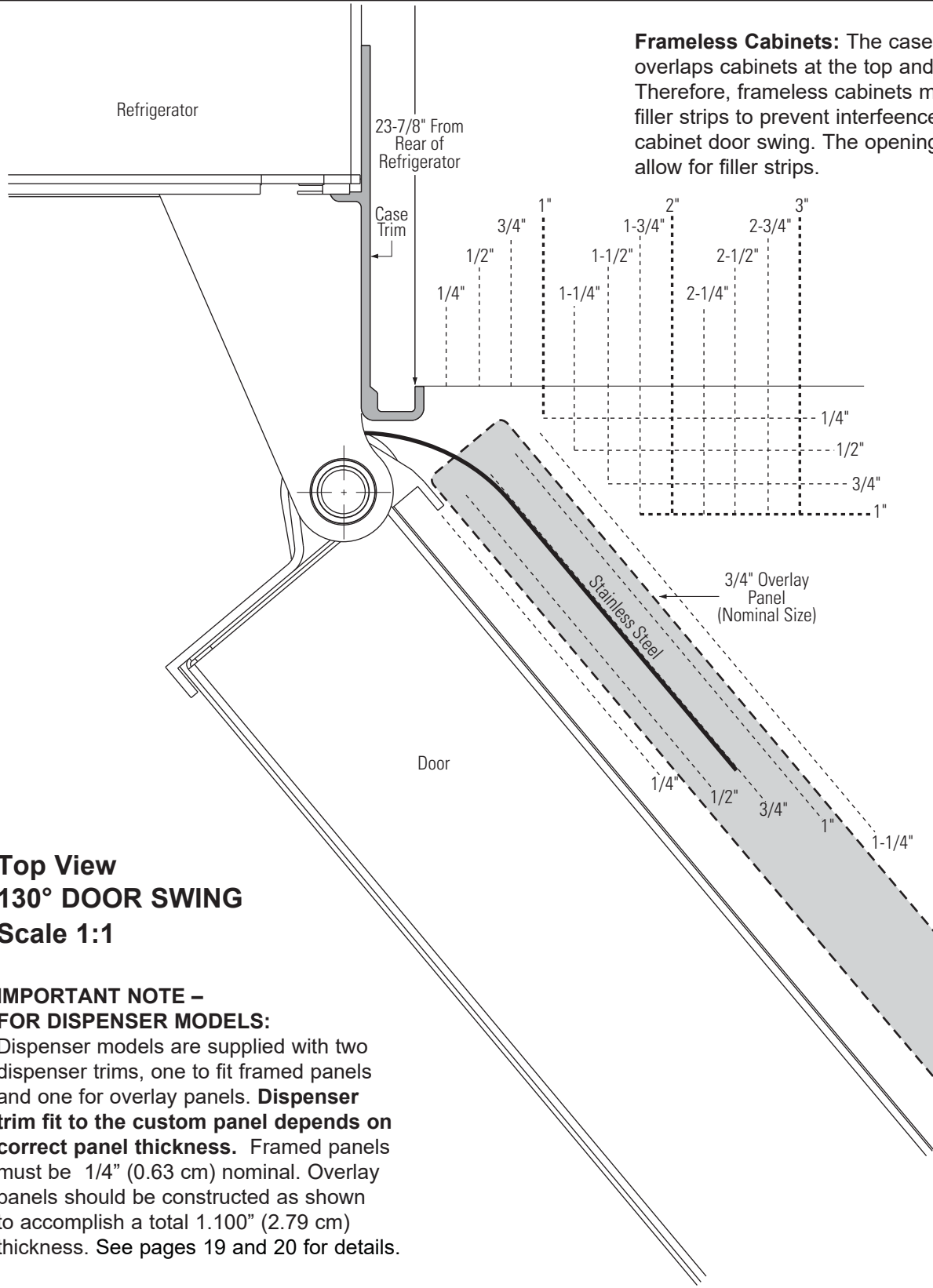
	A	B	C	D	E	Dispenser Cutout Position	
	A	B	C	D	E	F	G
1/4" Backer Panel	39-7/8	9-1/2	68-3/8	14-9/16	24-9/16		
.10" Spacer Panel	39	8-5/8	67	13-1/4	23-1/4		
3/4" Overlay Panel	40-1/8	9-3/4	68-5/8	14-13/16	24-13/16	17-15/16	3-1/4

48" Side-by-Side (in inches)

	A	B	C	D	E	Dispenser Cutout Position	
	A	B	C	D	E	F	G
1/4" Backer Panel	45-7/8	9-1/2	68-3/8	18-9/16	26-9/16		
.10" Spacer Panel	45	8-5/8	67	17-1/4	25-1/4		
3/4" Overlay Panel	46-1/8	9-3/4	68-5/8	18-13/16	26-13/16	17-15/16	5-1/4

Design Guide - Standard Installation

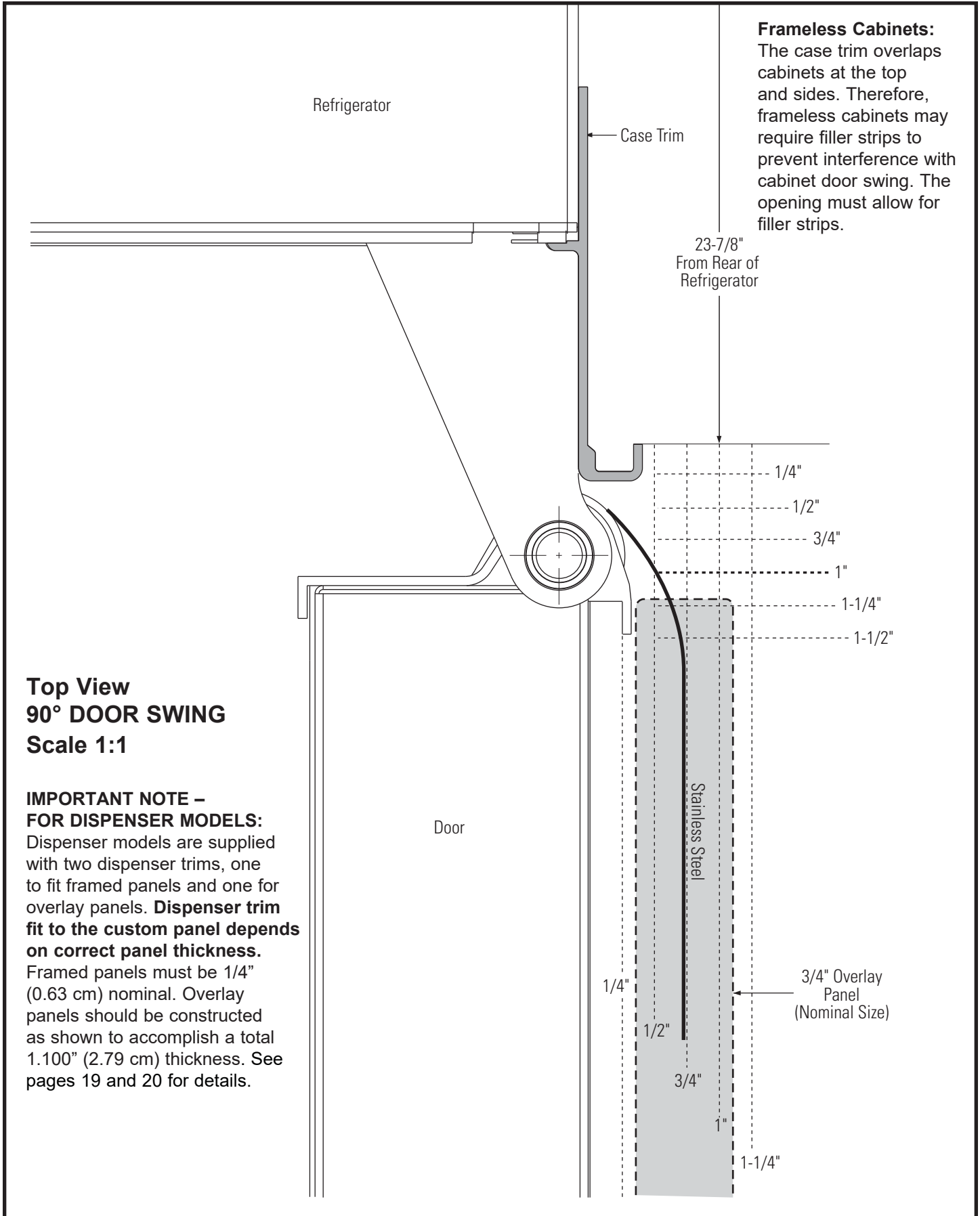
Frameless Cabinets: The case trim overlaps cabinets at the top and sides. Therefore, frameless cabinets may require filler strips to prevent interference with cabinet door swing. The opening must allow for filler strips.



**Top View
130° DOOR SWING
Scale 1:1**

IMPORTANT NOTE – FOR DISPENSER MODELS:
Dispenser models are supplied with two dispenser trims, one to fit framed panels and one for overlay panels. **Dispenser trim fit to the custom panel depends on correct panel thickness.** Framed panels must be 1/4" (0.63 cm) nominal. Overlay panels should be constructed as shown to accomplish a total 1.100" (2.79 cm) thickness. See pages 19 and 20 for details.

Design Guide - Standard Installation



**Top View
90° DOOR SWING
Scale 1:1**

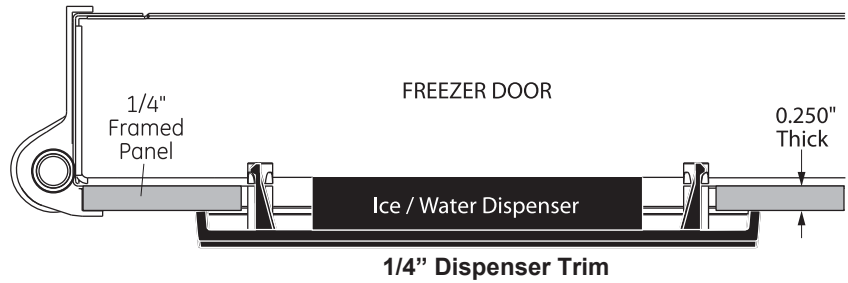
IMPORTANT NOTE – FOR DISPENSER MODELS:
Dispenser models are supplied with two dispenser trims, one to fit framed panels and one for overlay panels. **Dispenser trim fit to the custom panel depends on correct panel thickness.** Framed panels must be 1/4" (0.63 cm) nominal. Overlay panels should be constructed as shown to accomplish a total 1.100" (2.79 cm) thickness. See pages 19 and 20 for details.

Design Guide - Standard Installation

DISPENSER TRIM FIT EXAMPLES: (NOT TO SCALE)

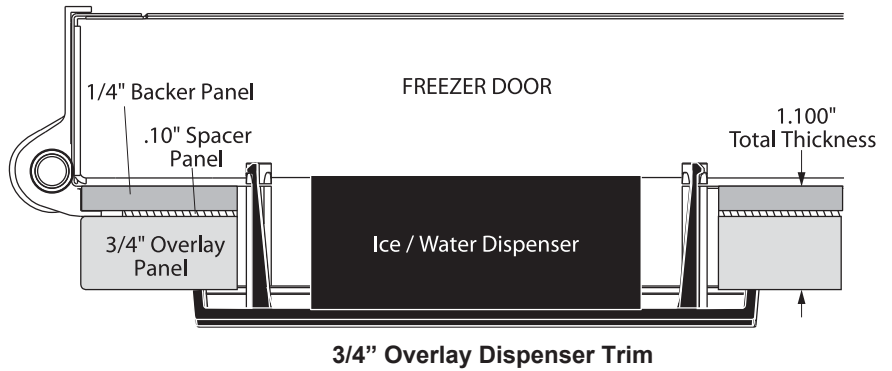
1/4" (0.63 cm) FRAMED PANEL

- The dispenser trim fits over the custom panel and snaps into the freezer door.
- The clips will not engage the door if the panel is more than 0.250" (0.63 cm) thick.
- If the panel is less than 0.250" (0.63 cm) thick, a noticeable gap may be created around the dispenser trim.



3/4" (1.91 cm) OVERLAY PANEL

- The dispenser trim fits over the custom panel and snaps into the freezer door.
- The clips will not engage the door if the panel is more than 1.100" (2.79 cm) thick.
- If the panel is less than 1.100" (2.79 cm) thick, a noticeable gap may be created around the the dispenser trim.



Installation Instructions - Standard Installation

TOOLS AND MATERIALS REQUIRED

- Tinsnips to cut banding
- Stepladder
- 1" Bit extension
- Tape measure
- Gloves
- 1/4" Drywall screws
- 5-Gal. Bucket with cover
- 6" Spirit level
- Appliance hand truck
- Tubing cutter
- 7/16" open-end wrench
- #2 Phillips screwdriver
- Drill and appropriate bits
- 5/16", 7/16" socket
- Safety glasses
- 1-1/8" open end wrench
- Pliers
- 1/4", 5/16" Combo Ratchet
- 35" long 2x4 for Anti-Tip support
- 1/4" copper water line tubing or SmartConnect™ Refrigerator Tubing kits
- Water shut-off valve
- Custom panels for doors and grille panel
- Screws to secure refrigerator to cabinetry
- Stick-on hook and loop fastener strips for 1/4" side panels

HARDWARE SUPPLIED

- Water filter bypass plug
- Toekick
- 1/4" nut and ferrule
- Dispenser trim for overlay panels (for use with Custom Panel models).

FLOORING

For proper installation, this refrigerator must be placed on a level surface of hard material that is at the same height as the rest of the flooring. This surface should be strong enough to support a fully loaded refrigerator, or approximately 1,500 lbs.(680.39 kg).

NOTE: Protect the finish of the flooring. Cut a large section of the cardboard carton and place under the refrigerator where you are working.

GROUNDING THE REFRIGERATOR

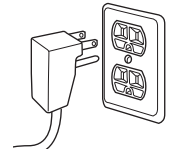
⚠ WARNING  **Electrical Shock Hazard.**

Failure to follow these instructions can result in death, fire, or electrical shock.

The power cord of this appliance is equipped with a 3-prong (grounding) plug which mates with a standard 3-prong (grounding) wall receptacle to minimize the possibility of electric shock hazard from this appliance.

Have the wall outlet and circuit checked by a qualified electrician to make sure the outlet is properly grounded.

Where a standard 2-prong wall outlet is encountered, it is your personal responsibility and obligation to have it replaced with a properly grounded 3-prong wall outlet.



DO NOT, UNDER ANY CIRCUMSTANCES, CUT OR REMOVE THE THIRD (GROUND) PRONG FROM THE POWER CORD.

DO NOT USE AN ADAPTER PLUG TO CONNECT THE REFRIGERATOR TO A 2-PRONG OUTLET.

DO NOT USE AN EXTENSION CORD WITH THIS APPLIANCE.

MISE À LA TERRE DU RÉFRIGÉRATEUR

⚠ AVERTISSEMENT  **Risque de choc électrique.**

Le non-respect de ces instructions peut entraîner des risques d'incendies, des chocs électriques ou la mort.

Le cordon d'alimentation de cet appareil est équipé d'une fiche à trois broches (pour une mise à la terre) qui s'adapte à la prise de courant standard à 3 broches (pour une mise à la terre) pour minimiser les risques de chocs électriques par cet appareil.

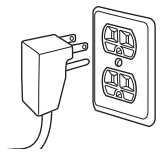
Faites vérifier la prise murale et le circuit électrique par un électricien qualifié pour s'assurer que le système est correctement mis à la terre.

Dans le cas d'une prise biphasée, l'installateur a la responsabilité et l'obligation de la remplacer par une prise triphasée correctement mise à la terre.

NE COUPEZ PAS OU N'ENLEVEZ PAS, SOUS AUCUN PRÉTEXTE, LA TROISIÈME BROCHE DE MISE À LA TERRE DU CORDON D'ALIMENTATION.

N'UTILISEZ PAS D'ADAPTATEUR POUR BRANCHER LE RÉFRIGÉRATEUR À UNE PRISE BIPHASÉE.

N'UTILISEZ PAS DE RALLONGE AVEC CET APPAREIL.



Installation Instructions - Standard Installation

STEP 1 REMOVE PACKAGING

⚠ WARNING  **Tip Over Hazard.**

The refrigerator is much heavier at the top than at the bottom—be careful when moving. When using a hand truck, handle from the side only.

⚠ AVERTISSEMENT  **Risque de basculement**

Le réfrigérateur est beaucoup plus lourd en haut qu'en bas. Il faut être prudent lors des déplacements. Si un diable est utilisé, il faut soulever le réfrigérateur sur le côté seulement.

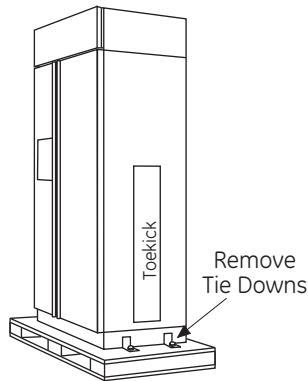
- Carefully cut banding at the top and bottom, remove the outer carton.
- Slide out the back corner posts (2).
- Slide the carton off the top of the cabinet.

NOTE: IT IS NOT NECESSARY TO LAY THE CABINET DOWN IN ORDER TO REMOVE THE SKID!

- The unit is secured to the skid with 4 slotted tie-down straps. Remove the six 7/16" bolts from the base channels in the tie-downs.
- Remove the six 7/16" bolts securing the straps to the skid.

NOTE: DO NOT ATTEMPT TO ROLL UNIT OFF SKID.

- The support blocks on the bottom of the refrigeration case must be removed before the refrigerator is taken off the skid or damage will occur. Carefully tilt the refrigerator and slide the blocks out from beneath.
- Remove the toekick and set aside for final installation.
- Lift the refrigerator off the skid with an appliance dolly. Handle from the sides.



STEP 2 MOVE THE REFRIGERATOR INTO THE HOUSE

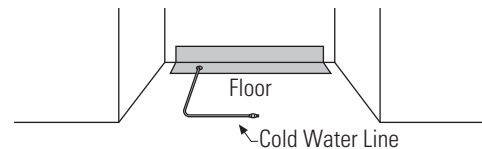
- Re-use the corner posts from the packaging to protect stainless steel models. Run the appliance dolly straps over the posts and under the handles.
- Leave the protective film on the refrigerator until installation is complete. **IMPORTANT:** Never lift the refrigerator by the handle or push against the grille panel; this could cause damage or misalignment.
- Avoid laying the unit on its back or side to prevent sealed system restrictions.

STEP 3 INSTALL WATER LINE

⚠ WARNING **Connect to potable water supply only.**

⚠ AVERTISSEMENT **Raccordez l'appareil à une alimentation d'eau potable seulement.**

- A cold water supply is required for automatic icemaker operation. The water pressure must be between 40 and 120 p.s.i. (275-827 kPa).
- Route 1/4" OD copper or SmartConnect™ plastic tubing between house cold water line and the water connection location.
- The tubing should be long enough to extend to the front of the refrigerator. Allow enough tubing to accommodate the bend leading into the water line connection.



NOTE: The only Monogram approved plastic tubing is supplied in the SmartConnect™ Refrigerator Tubing kits. Do not use any other plastic water supply line because the line is under pressure at all times. Other types of plastic may crack or rupture with age and cause water damage to your home.

SmartConnect™ Refrigerator Tubing Kits are available in the following lengths:

- 2' (.6 m) WX08X10002
- 8' (2.4 m) WX08X10006
- 15' (4.6 m) WX08X10015
- 25' (7.6 m) WX08X10025

Shut off the main water supply.

Turn on the nearest faucet long enough to clear the line of water.

- Install a shut-off valve between the icemaker water valve and cold water pipe in a basement or cabinet. The shut-off valve should be located where it will be easily accessible.
- Turn on the main water supply and flush debris. Run about a quart of water through the tubing into a bucket. Shut off the water supply at the shut-off valve.

NOTE: Saddle type shut-off valves are included in many water supply kits. Before purchasing, make sure a saddle type valve complies with your local plumbing codes.

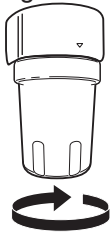
NOTE: Commonwealth of Massachusetts Plumbing Codes 248CMR shall be adhered to. Saddle valves are illegal and use is not permitted in Massachusetts. Consult with your licensed plumber.

Installation Instructions - Standard Installation

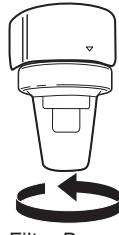
STEP 4 INSTALLATION WITH HOUSEHOLD WATER FILTRATION SYSTEM

Skip this step if you do not have a household water filtration system

If the water supply to the refrigerator is from any household water filtration system, the filter cartridge should be removed. For better ice and water performance, remove the filter and install the filter bypass plug.



Rotate Counterclockwise to Remove



Filter Bypass Plug

STEP 5 INSTALL SIDE PANELS

Skip this step when not using side panels. If you are using 1/4" (0.63 cm) side panels, they should be inserted into the case trim. Fasten the panels to the refrigerator with stick-on hook and loop fastener strips before setting the refrigerator in place.

STEP 6 ANTI-TIP PROCEDURE

⚠ WARNING Tip Over Hazard.

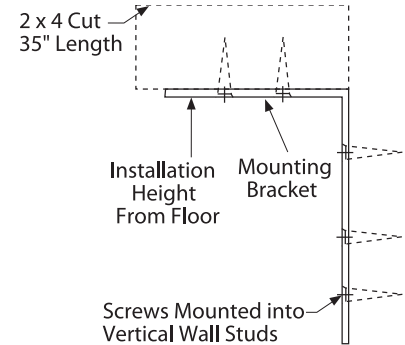
These refrigerators are top heavy, especially with any doors open, and must be secured to prevent tipping forward which could result in death or serious injury. Read and follow the entire installation instructions for securing the refrigerator with the anti-tip system.

⚠ AVERTISSEMENT Risque de basculement

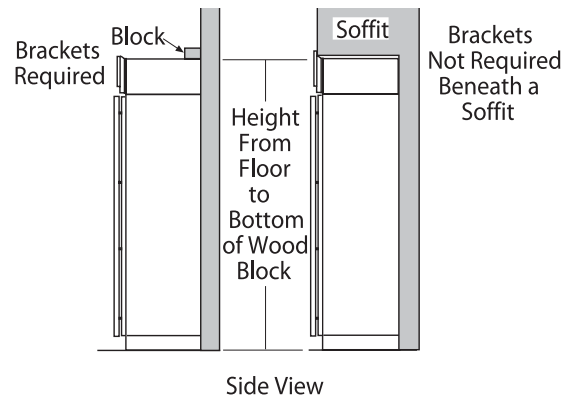
Ces réfrigérateurs présentent une partie supérieure lourde, en particulier avec une porte ouverte; ils doivent donc être fixés pour prévenir le basculement vers l'avant et le risque concomitant de blessure grave ou fatale. Lisez et suivez les instructions d'installation complètes pour l'installation du système anti-basculement.

STEP 6 ANTI-TIP PROCEDURE (Cont.)

- Cut a 2" x 4" block, 35" (88.9 cm) long and secure the block to the mounting brackets provided using #12 or #14 wood screws.
- Secure the bracket with wood block to the back wall so that it is 84" (213.36 cm) from the finished floor. Use #12 or #14 wood screws. See the illustration.
- The screws must penetrate at least one inch into the vertical wall studs.
- If metal wall studs, use self-tapping sheet metal screws in place of wood screws.



IMPORTANT: When the refrigerator is installed under a soffit or if there is not enough height for this method of security, brackets cannot be used. Proceed to step 7 to level the refrigerator and then to step 8 to secure refrigerator to cabinets. The refrigerator must be secured to prevent tipping.



Connect Power Cord:

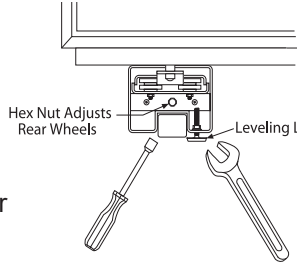
- Before pushing the refrigerator into the opening, plug the power cord into the receptacle. The water filter guard will need to be removed for access (some models). Remove the 3 screws holding it in place. If access is still too tight, remove the 2 screws holding the water filter bracket and move aside. Open the grille panel and reach into the opening at the back to grasp the power cord. Pull the power cord into the opening as you push the refrigerator back. Secure the bracket and guard with the original screws.
- Gently push refrigerator into the opening with hands against front corners.

Installation Instructions - Standard Installation

STEP 7 LEVEL REFRIGERATOR

All models have 4-point leveling. The front is supported by leveling legs, the rear is supported by adjustable wheels. Both are accessible from the front of the refrigerator.

- To level the back of the refrigerator, turn the 7/16" hex nut located above the front wheels. Turn clockwise to raise or counterclockwise to lower the refrigerator.
- For front leveling, use a 1-1/4" open-end wrench.
- Adjust height of refrigerator to match installation cutout opening 84-1/2" (214.63 cm). The refrigerator should be level and plumb with cabinetry.

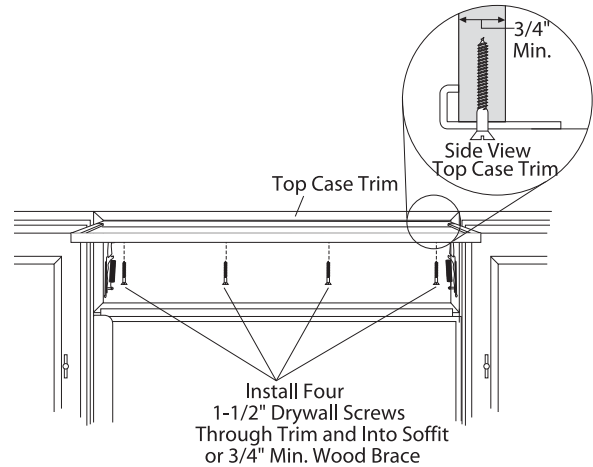


NOTICE: The rear leveling wheels and front leveling legs are limited to a maximum height adjustment of 1" (2.54 cm). If the installation requires more than 84-1/2" (214.63 cm) height, the installer should elevate the refrigerator on a sheet of plywood or runners. Cabinetry trim could also be added across the top of the opening to shorten the opening. **If you attempt to raise the refrigerator more than 1" (2.54 cm), you will damage the front leveling legs and the rear leveling wheels. Make adjustments in small increments.**

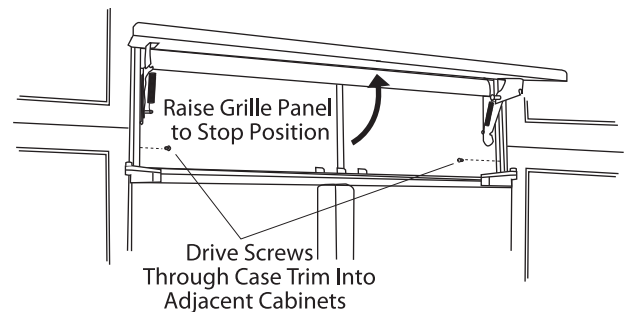
STEP 8 ALTERNATE ANTI-TIP PROCEDURE

The refrigerator must be secured to prevent tipping.

- Raise the grille panel to access case trim.



- Use a 3/16" bit to drill four evenly spaced clearance holes through the metal top case trim.
- Use a 1/16" bit to drill pilot holes through the metal clearance holes and into the wood soffit. The holes should be centered in the soffit or a 3/4" (1.91 cm) min. wood brace. The brace spanning the enclosure must be securely fastened to cabinets on both sides.
- Install four, 1-1/2" drywall screws into the pilot holes.
- Drill screws into adjacent cabinets through side case trim.

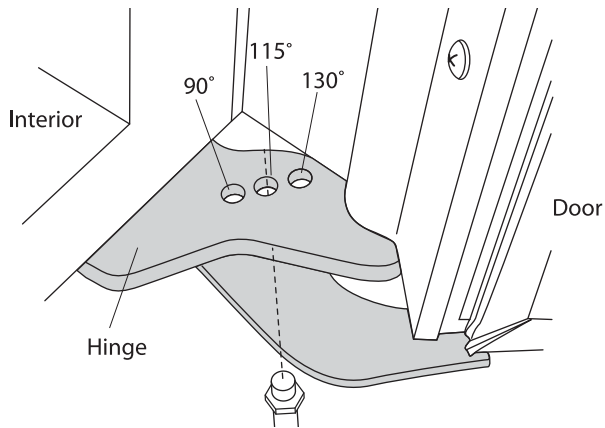


Installation Instructions - Standard Installation

STEP 9 ADJUST DOOR SWING

NOTE: This refrigerator has a 3-position door stop: 90°, 115°, and 130°. When space does not allow the door to swing open fully to 115°, you may change the door swing to a 90° opening. A 130° door swing option is available for standard installation only. **Skip this step if door opening is satisfactory for your installation situation.**

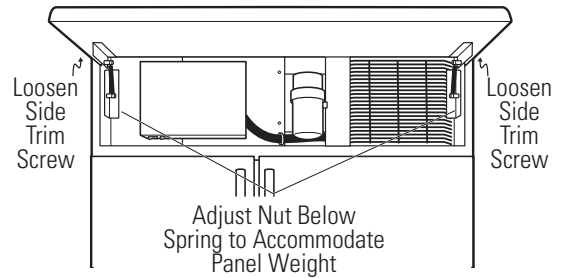
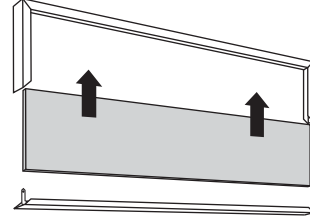
- Open the door to view the bottom hinge. Note the door stop pin locations. The pin is factory installed in the 115° position.
- Close the door. From below, use pliers to unscrew the door stop and reinstall into the 130° or 90° position.



STEP 10 INSTALL GRILLE PANEL

To insert the framed or overlay panel into the grille:

- Raise the grille panel to the stop position.



- Loosen the screws on the side trim behind the frame. Remove the bottom trim.

⚠ CAUTION SHARP EDGE HAZARD

The metal panel may be slippery. Grip the metal panel firmly so the panel does not slip out of the frame and cause personal injury or damage to the frame.

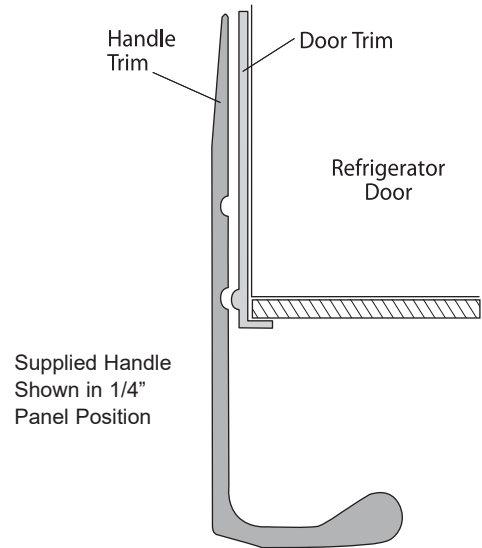
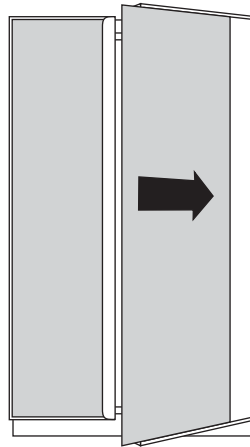
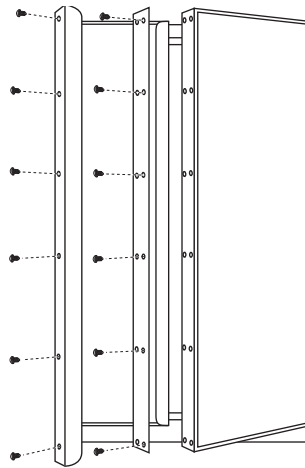
⚠ ATTENTION RISQUE DE COUPURE : ATTENTION AUX ARÊTES VIVES

Le panneau en métal peut être glissant. Tenir fermement le panneau en métal, de manière à ce que le panneau ne glisse pas en dehors du cadre en provoquant des blessures corporelles ou des dommages au cadre.

- Slide the panel over the metal backer panel and into the trim.
- If necessary, tap with a wood block until the panel slips under the top trim piece.
- Reassemble the bottom trim. Tighten the screws.
- Adjust the hinge spring to accommodate the panel weight, if necessary.

Installation Instructions - Standard Installation

STEP 11 INSTALL 1/4" (0.63 cm) FRAMED PANELS Go to Step 12A for Overlay Panels



Supplied Handle
Shown in 1/4"
Panel Position

Install door panels:

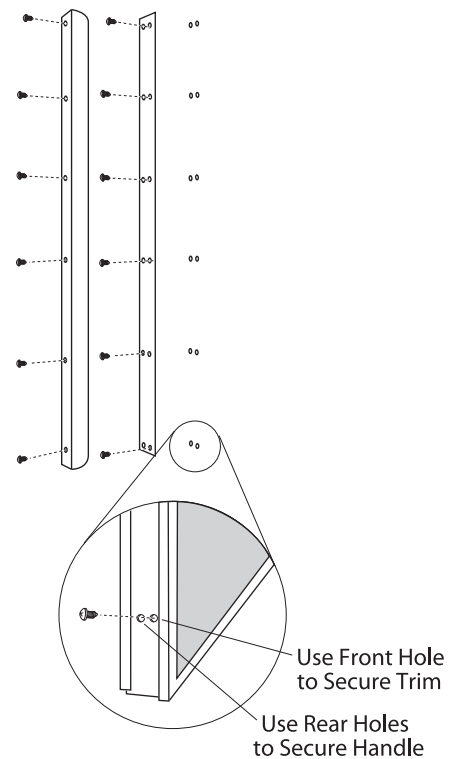
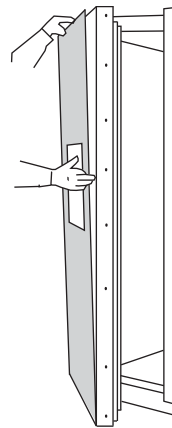
- Open the door to 90°. Remove the 6 Phillips head screws from the door handle.
- Remove the handle. Retain all screws.
- Remove the 6 screws holding the trim, then lift off the trim. Retain the screws.
- Slide the framed panel into the door trim.

Dispenser Models Only:

- The dispenser controls protrude beyond the face of the freezer door. To avoid damage to the dispenser, the trim at the top of the door should be removed.
- Remove the screws holding the top trim in place.
- Place the freezer panel into the bottom channel and slide into the hinge side trim.
- Reinstall the top trim piece with screws.

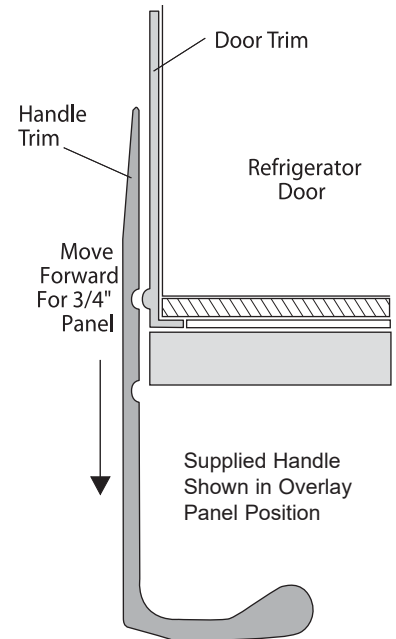
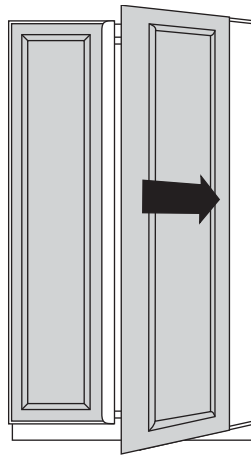
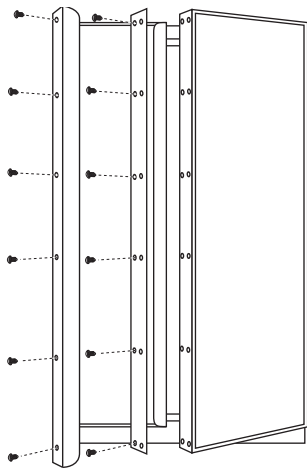
- There are two sets of holes in the handle side trim. Replace the handle side trim by installing the original screws in the FRONT screw holes.
- Secure the handle to the door using the REAR screw holes.
- Follow the same procedures to install the opposite panel.
- Check to be sure the handles are evenly aligned with each other at the top. To adjust, loosen the handle screws and slide up or down. Tighten the screws.

NOTE: Aluminum cover trim is supplied for use with custom handles on overlay panels. It is not intended for use with 1/4" (0.63 cm) panels. Discard the cover trim when using 1/4" (0.63 cm) framed panels.



Installation Instructions - Standard Installation

STEP 11A INSTALL OVERLAY PANELS

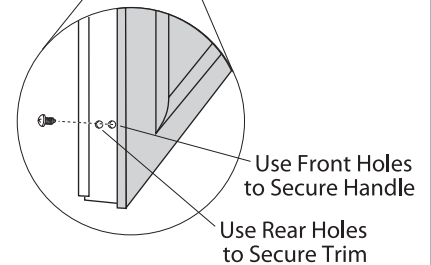
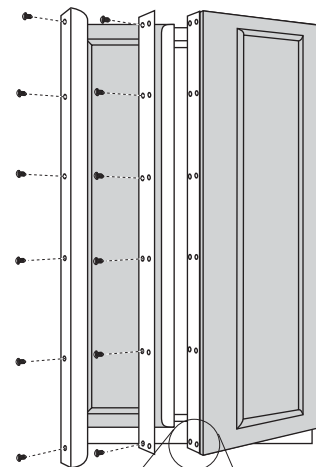
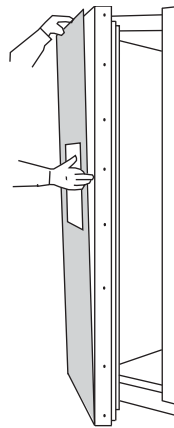


Install door panels:

- Open door to 90°. Remove the 6 Phillips head screws from the door handle.
- Remove the handle. Retain all screws.
- Remove the 6 screws holding the trim, then lift off the trim. Retain the screws.
- Slide the overlay panel into the door trim.

Dispenser Models Only:

- The dispenser controls protrude beyond the face of the freezer door. To avoid damage to the dispenser, the trim at the top of the door should be removed.
- Remove the screws holding the top trim in place.
- Place the assembled freezer panel into the bottom channel and slide into the hinge side trim.
- Reinstall the top trim piece with the screws.
- There are two sets of holes in the handle side trim. Replace handle side trim by installing the original screws in the REAR screw holes.
- Secure the handle to the door using the FRONT screw holes.
- Follow the same procedures to install the opposite panel.
- Check to be sure the handles are evenly aligned with each other at the top. To adjust, loosen the handle screws and slide up or down. Tighten the screws.

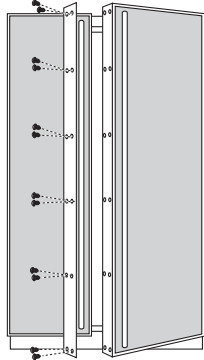


Installation Instructions - Standard Installation

STEP 11A INSTALL OVERLAY PANELS (continued)

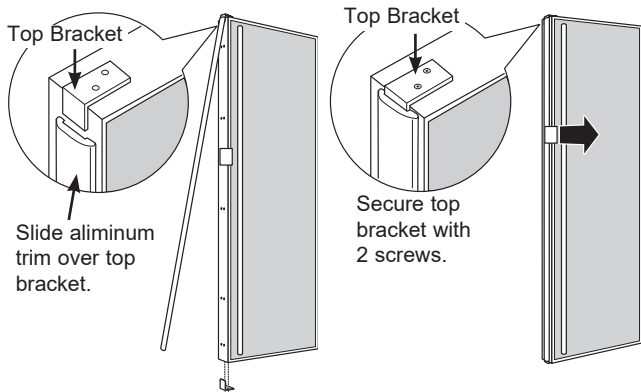
Custom Handles

- If you are using custom handles, the handle must be properly secured to the overlay panel before sliding the panel into the trim.
- The cabinet manufacturer will supply the custom handle and hardware.
- Discard the supplied handle.



Reinstall all original screws.

- Reinstall the handle side trim, using all 12 supplied flat-head screws, plus the 12 flat-head screws originally installed in the handle trim.
- Install a supplied end cap onto the top of the door, using a Phillips head screwdriver and the 2 screws provided. **Hand-tighten the screws into the end caps. Do not overtighten; damage will occur.**
- Clean the aluminum trim with rubbing alcohol—do not use alcohols with oil or lanolin that will prevent adhesion of double-sided tape.
- Slip the aluminum cover onto the top bracket to check the fit. The aluminum cover trim has a slot on each end which fits the bracket.

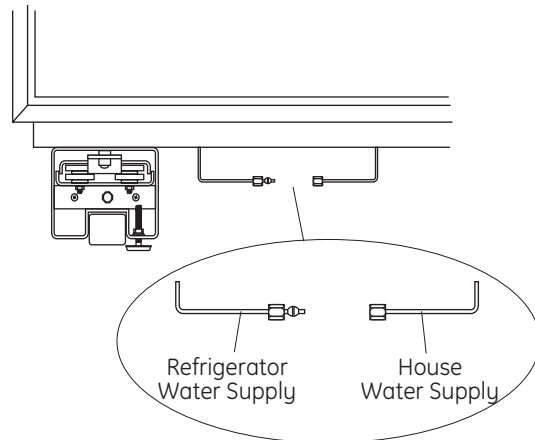


- Remove the trim. Peel away a few inches of the adhesive backing. **IMPORTANT:** The tape is very sticky and strong. Once it adheres to a surface, it cannot be removed without damaging both surfaces. **Do not install the trim before the final wood panels are in place.** Be sure to align the trim carefully before removing the paper backing.

STEP 11A INSTALL OVERLAY PANELS (continued)

- Carefully place the aluminum cover trim onto the top bracket so that the bracket is inside the cover trim. Use the top to bottom grooves along the handle side to align the cover trim accurately. Align the bracket with the screw holes in the top of the door. Pull the tape a few inches at a time while pressing the trim against the door. Press and hold approximately 10 seconds before continuing along the length of the door.
- Install another bracket at the bottom of the door to secure the cover trim. Use a stubby Phillips head screwdriver and the 2 screws provided. **NOTE:** Make sure there are no gaps in the installation.
- Follow the same procedure on the opposite door.

STEP 12 CONNECT WATER SUPPLY



- Locate and bring the tubing to the front of the cabinet.
- Turn the water on to flush debris from the line. Run about a quart of water through the tubing into a bucket, then shut off the water.

Copper Tubing:

- Slip a 1/4" nut and ferrule (provided) over both ends of the copper tubing. Insert the tube into the union fitting on the unit and tighten the nut to the union.
- Turn on the water to check for leaks.

SmartConnect™ Tubing:

NOTE: The only Monogram-approved plastic tubing is supplied in the SmartConnect™ Refrigerator Tubing kits. Do not use any other plastic water supply line because the line is under pressure at all times. Other types of plastic may crack or rupture with age and cause water damage to your home.

Installation Instructions - Standard Installation

STEP 12 CONNECT WATER SUPPLY (continued)

SmartConnect™ Refrigerator Tubing Kits are available in the following lengths:

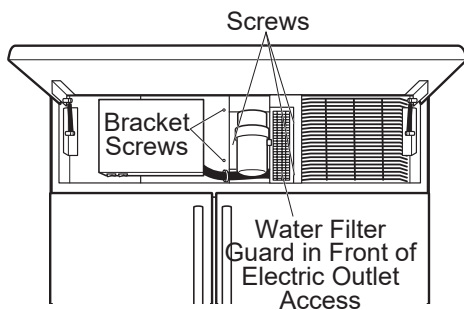
- 2' (.6 m) WX08X10002
- 8' (2.4 m) WX08X10006
- 15' (4.6 m) WX08X10015
- 25' (7.6 m) WX08X10025

- Insert the molded end of the tubing into the refrigerator connection. Tighten the compression nut until it is just hand tight.
- Tighten one additional turn with a wrench. Overtightening can cause leaks!
- Turn on the water to check for leaks.

NOTE: Make sure excess tubing length does not interfere with the toekick installation.

STEP 13 CONNECT POWER, CLOSE GRILLE PANEL

- Open the grille panel.
- Plug in the power cord (if necessary) by reaching into the opening next to the water filter. The water filter guard will need to be removed for access (some models). Remove the 3 screws holding it in place. If access is still too tight, remove the 2 screws holding the water filter bracket and move aside. Plug in the power cord. Secure the bracket and guard with the original screws.



- Check to make sure power to refrigerator is on by opening refrigerator door to see if interior lights are on.
- The temperature controls are preset at 37°F (3° C) for the fresh food section and 0°F (-18°C) for the freezer.
- Allow 24 hours to stabilize before making adjustments.

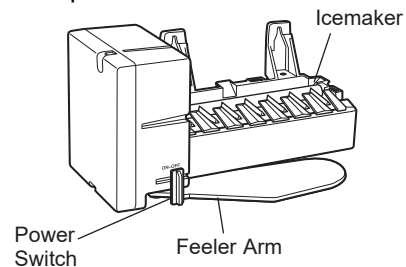
STEP 14 START ICEMAKER

CAUTION

Avoid contact with the moving parts of the ejector mechanism, or with the heating element (located on the bottom of the icemaker) that releases the cubes. Do not place fingers or hands on the automatic ice making mechanism while the refrigerator is plugged in.

ATTENTION

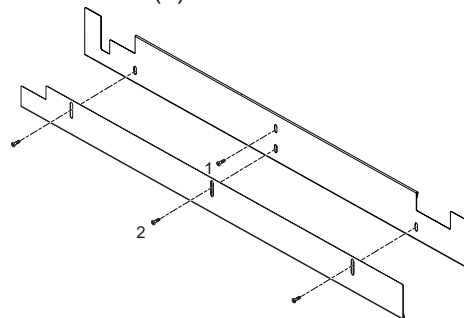
Évitez tout contact avec les pièces mobiles du mécanisme d'éjection ou l'élément chauffant (situé dans le bas de la machine à glaçons) qui libère les cubes. Ne placez pas les doigts ou les mains sur le mécanisme de production de glace automatique lorsque le réfrigérateur est branché dans la prise électrique.



- Slide the power switch to ON.
- The icemaker will begin operation automatically.
- Be sure nothing interferes with the sweep of the feeler arm.
- Discard the first full bucket of ice cubes.
- To turn the icemaker off, slide the switch to OFF.

STEP 15 INSTALL TOEKICKS

- Locate the supplied toekicks (shipped taped to the side of the refrigerator).
- The narrower set of toe kicks will be used with standard installation. You can discard the other set of toe kicks.
- Attach the LARGER toekick to the refrigerator using ONLY the top center hole (1).
- Attach the toekick skirt to the refrigerator using the three lower slots (2).



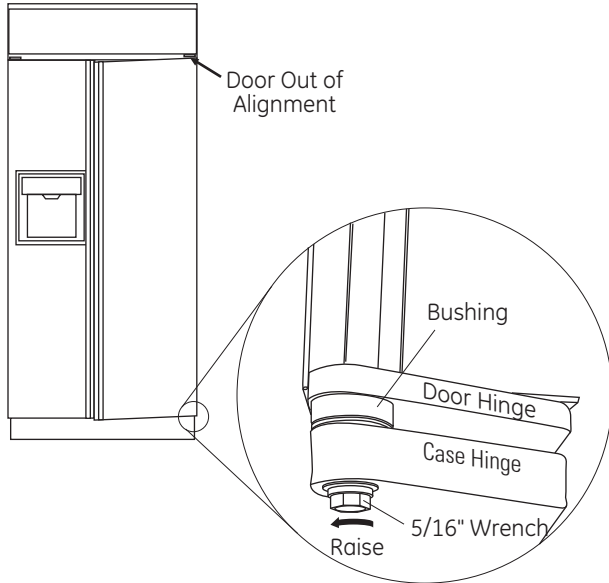
- A custom toekick can be installed to match or complement the surrounding cabinetry. Use the supplied toekick as a template to cut the shape.

Installation Instructions - Standard Installation

INSPECT FINAL INSTALLATION

Check door alignment. Stand back away from the refrigerator to inspect the final installation.

- Check to be sure the handles are evenly aligned with each other at the top. To adjust, loosen the handle screws and slide up or down. Tighten the screws.
- Shipping or the addition of heavy door panels may have caused the doors to move slightly out of alignment.

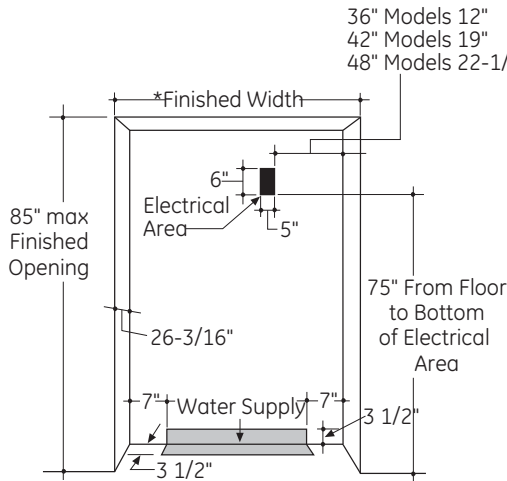


- If necessary, the fresh food door may be adjusted up or down to align with the freezer door.
- Use a 5/16" wrench to adjust the hinge pin as shown.

Instructions for Flush Installation

Design Guide - Flush Installation

THE INSTALLATION SPACE



*Finished cutout width must be:
39" (99.06 cm) for 36" models
45" (114.3 cm) for 42" models
51" (129.54 cm) for 48" models

Water And Electrical Locations

The opening must be prepared with the electrical and the cold water supply located as shown.

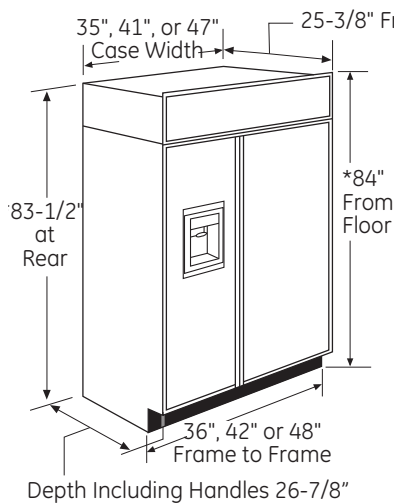
The Cutout Depth Must Be 26-3/16" (66.99 cm)

Wooden cleats are required for flush installation. See Side Cleats on page 27. **If 3/4" (1.91 cm) Overlay panels w/ 90 degree door swing are to be used then cutout depth must be 26-1/4" (66.68 cm)**

Additional Specifications

- A 115 volt 60Hz., 15 or 20 amp power supply is required. An individual properly grounded branch circuit or circuit breaker is recommended. Install a properly grounded 3-prong electrical receptacle recessed into the back wall. Electrical must be located on the rear wall as shown.
- The water line can enter the opening through the floor or back wall. The water line should be 1/4" O.D. copper tubing or SmartConnect™ kit between the cold water line and water connection location, long enough to extend to the front of the refrigerator. Installation of an easily accessible shut-off valve in the water line is required.

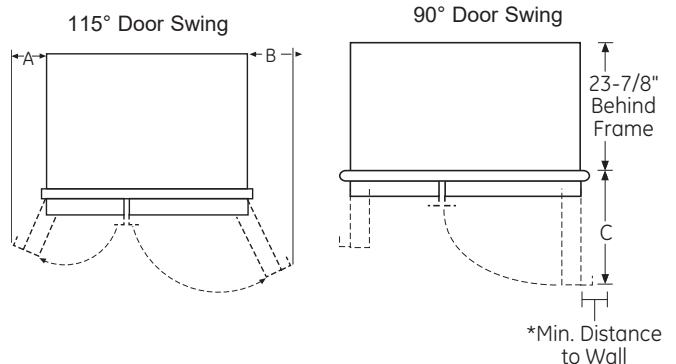
DIMENSIONS AND CLEARANCES



* Shipping height. The refrigerator can be adjusted to fit into a cutout that is 85" (215.9 cm) in height. Use leveling legs and wheels for a maximum 1" (2.54 cm) height adjustment.

Product Clearances

These refrigerators are equipped with a 3-position door stop. The factory-set 115° door swing can be adjusted to 90° if clearance to adjacent cabinets or walls is restricted. Only standard installation can be adjusted to 130°.



*4" Stainless and Trimmed Models.
5" Pro Series

Models	A	B	C
36"	13" (33.02 cm)	15" (38.1 cm)	20-5/8" (52.39 cm)
42"	13" (33.02 cm)	19" (48.26 cm)	26-5/8" (67.63 cm)
48"	15" (38.1 cm)	20" (50.8 cm)	28-5/8" (72.71 cm)

Allow minimum clearances for the freezer door (Dimension A) and fresh food door (Dimension B) for a full 115° door swing and to allow for pan removal.

For a 90° door swing, allow 4" (10.16 cm) min. clearance to a wall, for framed and stainless steel models. Allow 5" (12.7 cm) min. clearance for professional series models. If the 90° door stop position is used, pan access is maintained, but pan removal is restricted.

Design Guide - Flush Installation

CUSTOMIZATION BASICS:

These refrigerators are designed to be customized with decorative panels. Field installed custom door and grille panels are required.

Optional Accessory Kits

ZKHSS2: Monogram Tubular Stainless Steel handles designed to fit 3/4" (1.91 cm) overlay panels.

ZKHPSS1: Professional Tubular Stainless Steel handles designed to fit 3/4" (1.91 cm) overlay panels. Kit includes one handle. Order 2 kits for side-by-side refrigerator models from your Monogram supplier

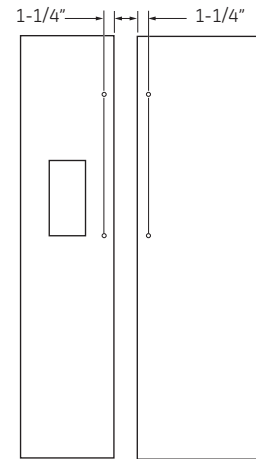
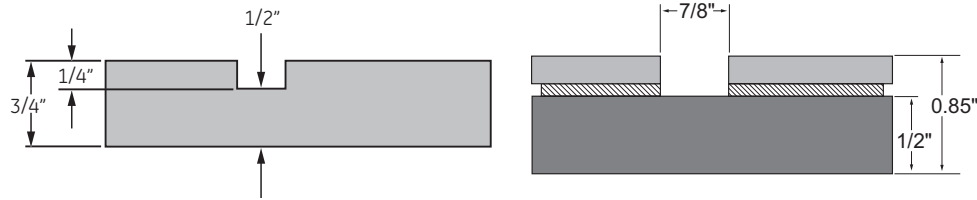
ZUG2: For side-by-side installation of two trimmed models. This kit provides for the installation of a unified custom grille panel to span the width of two units using a framed or overlay panel.

CUSTOM HANDLE DESIGN GUIDE

Custom handles must be used for flush installation. For custom handle installation, counterbore holes in rear of decorative panels must ensure 1/2" (1.27 cm) material thickness remains for handle support.

NOTE: The counterbore must not exceed 1" (2.54 cm) in diameter.

Minimum distance from handle side edge to handle center should be 1-1/4" (3.18 cm) as shown.



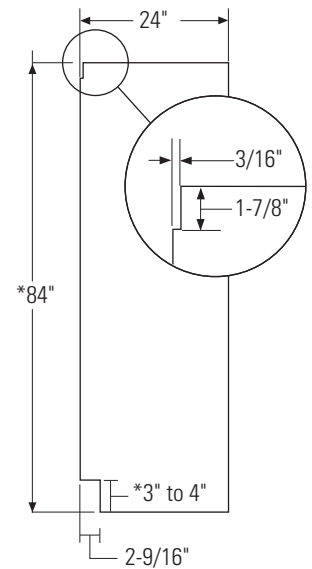
REFRIGERATOR LOCATION

- Do not install the refrigerator where the temperature will go below 55°F (13°C). It will not run often enough to maintain proper temperatures.
- Do not install the refrigerator where temperatures will go above 100°F (37°C). It will not perform properly.
- Do not install the refrigerator in a location exposed to water (rain, etc.) or direct sunlight.
- Install it on a floor strong enough to support it fully loaded.

SIDE PANELS

Side panels must be used whenever the sides of the refrigerator will be exposed. The 1/4" (0.63 cm) side panels will slip into the side case trim. Secure the panels to the refrigerator with stick-on hook and loop fastener strips. Order the side panels from the cabinet manufacturer.

- Cut a notch in the top front corner as shown to allow clearance for corner keys in the front side trim.



* Depending on installation height.

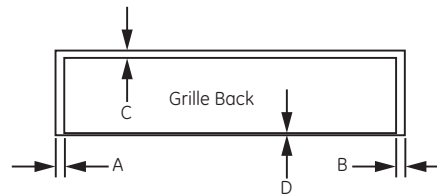
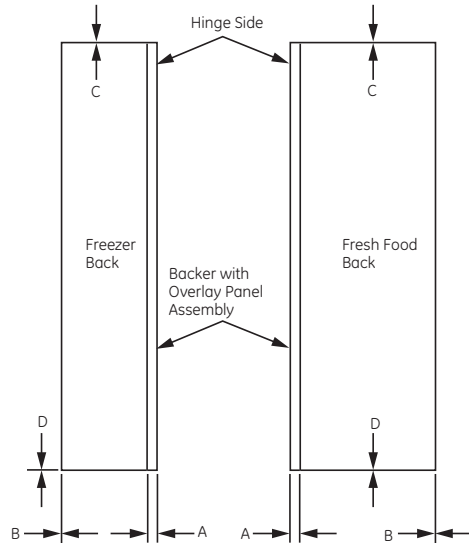
Design Guide - Flush Installation

1/2" (1.27 cm) OVERLAY PANEL DIMENSIONS

For a more custom appearance, overlay panels may be installed on trimmed models. The overlay panel must be secured to a 1/4" (0.63 cm) thick backer panel which slides into the trim. A spacer panel 0.10" (0.25 cm) thick must be placed between the overlay and backer panel.

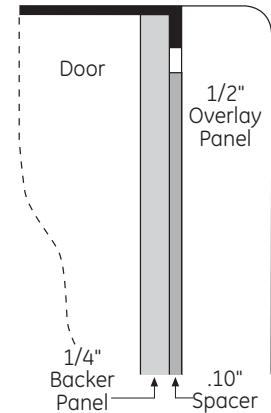
Assemble the panels with glue and screws:

- Center the spacer panel on the backer panel, left to right and top to bottom. Secure the panels with glue.
- Refer to the following chart for locating the backer panel to the overlay panel. Secure the overlay panel to the backer panel with glue and screws. Screws must be countersunk into the backer panel.



	A	B	C	D
SxS Fresh Food	2-1/16"	1/16"	1/8"	1/8"
SxS Freezer	2-1/16"	1/16"	1/8"	1/8"
SxS Grille	2-1/16"	2-1/16"	1-15/32**	7/32"

*2" for 36" models



$$.250" + .10" + .50" = .85"$$

$$0.63 + 0.25 + 1.27 = 2.16 \text{ cm}$$

Total Panel Thickness

IMPORTANT NOTE – DISPENSER MODELS

The refrigerator is supplied with 3 dispenser trims; 2 for standard installation and 1 for flush installation. The flush installation trim is designed to fit a total panel thickness of 0.85" (2.16 cm) or 0.75" (1.91 cm).

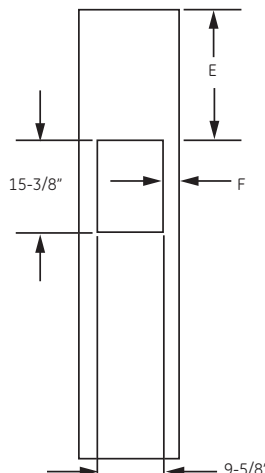
- If the panel is less than 0.75" (1.91 cm) a noticeable gap may be created around the dispenser trim.
- If the panel is more than 0.85" (2.16 cm) the dispenser

trim cannot be secured to the door.

- The overlay panel must be constructed according to the specifications shown to achieve the correct total thickness.
- Cut the dispenser opening **after** the backer, spacer and overlay panels have been assembled.

See Dispenser Trim Fit Example, page 28.

Panel Dimensions



36" Side-by-Side	Fresh Food	Freezer	Grille	Dispenser Cutout Position	
1/4" Backer Panel	68-3/8" x 18-9/16"	68-3/8" x 14-9/16"	33-7/8" x 9"	E	F
.10" Spacer Panel	67" x 17-9/16"	67" x 13-9/16"	33" x 8-3/8"		
1/2" Overlay Panel	68-5/8" x 20-7/8"	68-5/8" x 16-7/8"	38" x 11-3/16"	17-23/32"	3-3/8"
42" Side-by-Side	Fresh Food	Freezer	Grille	Dispenser Cutout Position	
1/4" Backer Panel	68-3/8" x 24-9/16"	68-3/8" x 14-9/16"	39-7/8" x 9-1/2"	E	F
.10" Spacer Panel	67" x 23-9/16"	67" x 13-9/16"	39" x 8-5/8"		
1/2" Overlay Panel	68-5/8" x 26-7/8"	68-5/8" x 16-7/8"	44" x 11-3/16"	17-23/32"	3-3/8"
48" Side-by-Side	Fresh Food	Freezer	Grille	Dispenser Cutout Position	
1/4" Backer Panel	68-3/8" x 26-9/16"	68-3/8" x 18-9/16"	45-7/8" x 9-1/2"	E	F
.10" Spacer Panel	67" x 25-9/16"	67" x 17-9/16"	45" x 8-5/8"		
1/2" Overlay Panel	68-5/8" x 28-7/8"	68-5/8" x 20-7/8"	50" x 11-3/16"	17-23/32"	5-3/8"

IMPORTANT NOTE: Maximum total weight for the assembled panels:

- Fresh food door panel – 75 lbs.(34 kg)
- Freezer door panel – 53 lbs.(24 kg)
- Grille Panel – 18 lbs. (8.16 kg)

Design Guide - Flush Installation

3/4" (1.91 cm) RAISED PANEL DIMENSIONS

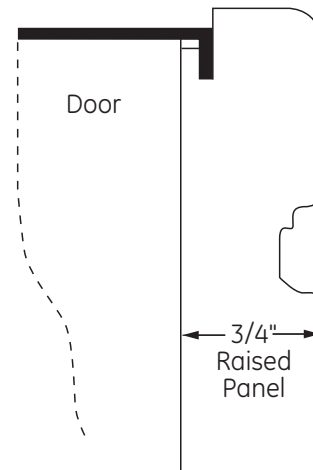
For a more custom appearance raised panels may be installed on trimmed models. The panels must be 3/4" (1.91 cm) thick at and routed per the instructions below in order to guarantee proper operation

IMPORTANT NOTE – DISPENSER MODELS

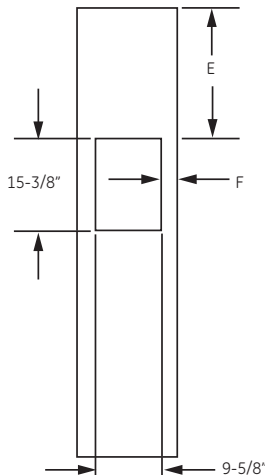
The refrigerator is supplied with 3 dispenser trims; 2 for standard installation and 1 for flush installation. The overlay dispenser trim is designed to fit a total panel thickness of 0.85" (2.16 cm) or 0.75" (1.91 cm).

- If the panel is less than 0.75" (1.91 cm) a noticeable gap may be created around the dispenser trim.
- If the panel is more than 0.85" (2.16 cm) the dispenser trim cannot be secured to the door.
- The overlay panel must be constructed according to the specifications shown to achieve the correct total thickness.

See **Dispenser Trim Fit Example, page 30.**



Panel Dimensions



36" Side-by-Side	Fresh Food	Freezer	Grille	Dispenser Cutout Position E F	
3/4" Raised Panel	68-5/8" x 20-7/8"	68-5/8" x 16-7/8"	38" x 11-3/16"	17-23/32"	3-3/8"
42" Side-by-Side	Fresh Food	Freezer	Grille	Dispenser Cutout Position E F	
3/4" Raised Panel	68-5/8" x 26-7/8"	68-5/8" x 16-7/8"	44" x 11-3/16"	17-23/32"	3-3/8"
48" Side-by-Side	Fresh Food	Freezer	Grille	Dispenser Cutout Position E F	
3/4" Raised Panel	68-5/8" x 28-7/8"	68-5/8" x 20-7/8"	50" x 11-3/16"	17-23/32"	5-3/8"

IMPORTANT NOTE: Maximum total weight for the assembled panels:

- Fresh food door panel – 75 lbs. (34 kg)
- Freezer door panel – 53 lbs. (24 kg)
- Grille Panel – 18 lbs. (3.16 kg)

⚠ WARNING



Door Trim Pinch Point Hazard

Improper installation can lead to a finger pinch point hazard between the side door trim and the cabinets when operating the door, especially with children.

To minimize this risk you must follow the installation instructions for cabinet dimensions, trim assembly, and door stop angle.

⚠ AVERTISSEMENT



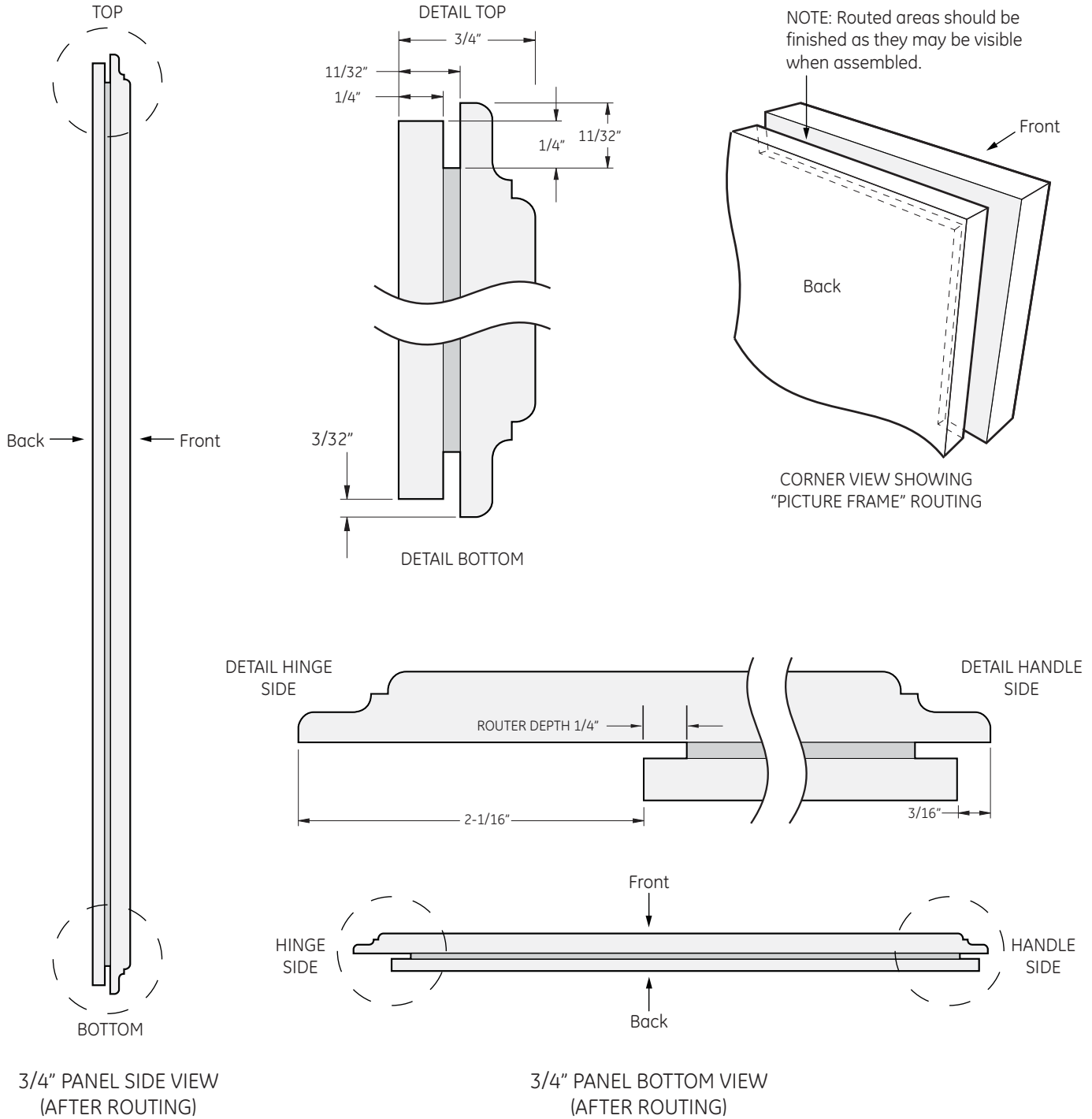
Risque de pincement de la garniture de porte

Une installation incorrecte représente un risque de pincement pour les doigts entre le côté de la garniture de porte et les armoires lors de l'ouverture ou de la fermeture de la porte, spécialement pour les enfants. Pour réduire ce risque, vous devez suivre les instructions d'installation selon les dimensions des armoires, l'assemblage de garniture et l'angle de butée de la porte.

Design Guide - Flush Installation

3/4" (1.91 cm) RAISED DOOR PANEL ROUTING

For 3/4" (1.91 cm) raised door panel, routing is required. The router depth is 1/4" (0.63 cm) all the way around the panel back. Additional panel width reductions are required per the diagrams below. This will create a "picture frame" routing that will slide onto the attached door trim.

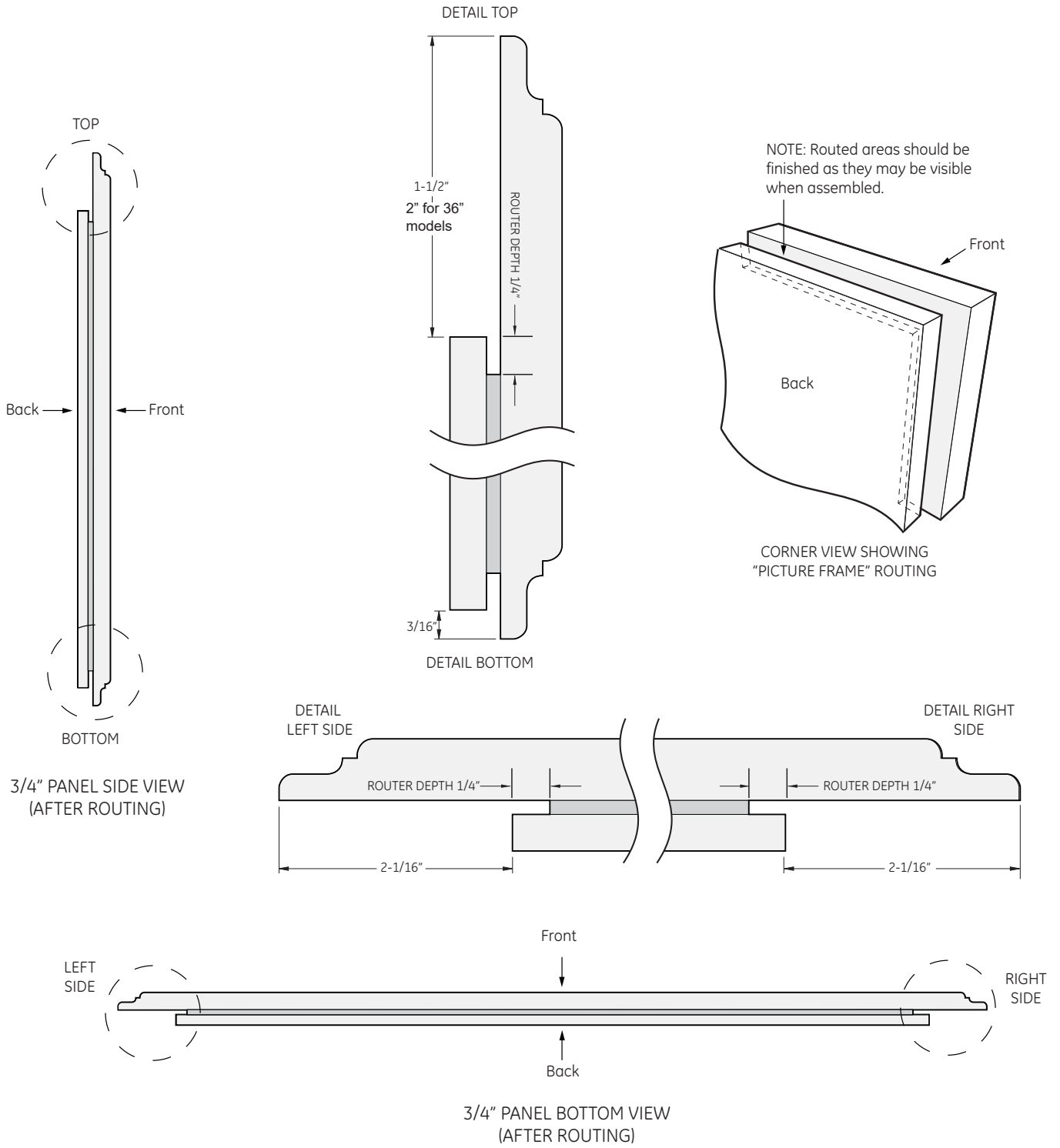


NOTE: For panels constructed with rails and stiles (5-panel), the minimum width is 3" (7.62 cm) for rails and 4" (10.16 cm) for stiles.

Design Guide - Flush Installation

3/4" (1.91 cm) RAISED GRILLE PANEL ROUTING

For 3/4" (1.91 cm) raised grille panel, routing is required. The router depth is 1/4" (0.63 cm) all the way around the panel back. Additional panel width reductions are required per the diagrams below. This will create a "picture frame" routing that will slide onto the attached grille trim.



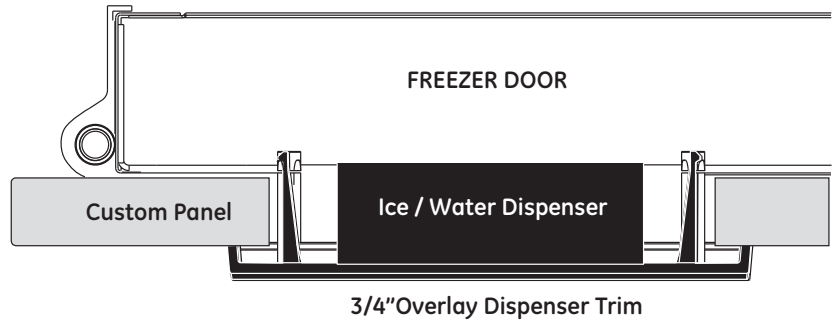
NOTE: For panels constructed with rails and stiles (5-panel), the minimum width is 3" (7.62 cm) for rails and 4" (10.16 cm) for stiles.

Design Guide - Flush Installation

DISPENSER TRIM FIT EXAMPLES: (NOT TO SCALE)

CUSTOM PANEL

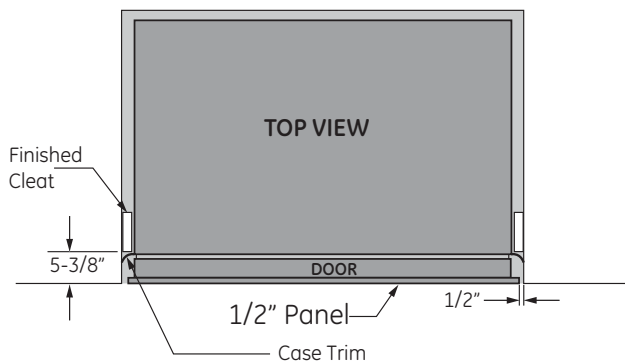
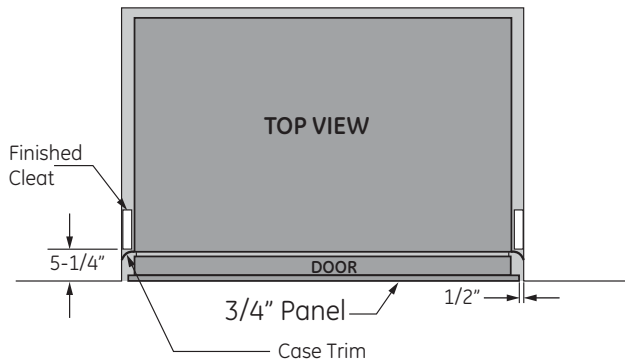
- The dispenser trim fits over the custom panel and snaps into the freezer door.



SIDE CLEATS

Wood cleats are required to be installed vertically down both sides of the cabinet opening to provide depth stop for the refrigerator when installed into the opening.

The cleat should be installed per the diagrams below based on the type of panel being used.



Installation Instruction - Flush Installation

TOOLS AND MATERIALS REQUIRED

- Tinsnips to cut banding
- Stepladder
- 1" Bit extension
- Tape measure
- Gloves
- 1/4" Drywall screws
- 5-Gal. Bucket with cover
- 6" Spirit level
- Appliance hand truck
- Tubing cutter
- 7/16" open-end wrench
- #2 Phillips screwdriver
- Drill and appropriate bits
- 5/16", 7/16" socket
- Safety glasses
- 1-1/8" open end wrench
- Pliers
- 1/4", 5/16" Combo Ratchet
- 35" long 2x4 for Anti-Tip support
- 1/4" copper water line tubing or SmartConnect™ Refrigerator Tubing kits
- Water shut-off valve
- Custom panels for doors and grille panel
- Screws to secure refrigerator to cabinetry
- Stick-on hook and loop fastener strips for 1/4" side panels

HARDWARE SUPPLIED

- Water filter bypass plug
- Toekick
- 1/4" nut and ferrule
- Dispenser trim for overlay panels (for use with Custom Panel models).
- Flush inset case trim

FLOORING

For proper installation, this refrigerator must be placed on a level surface of hard material that is at the same height as the rest of the flooring. This surface should be strong enough to support a fully loaded refrigerator, or approximately 1,500 lbs.(680.39 kg).

NOTE: Protect the finish of the flooring. Cut a large section of the cardboard carton and place under the refrigerator where you are working.

GROUNDING THE REFRIGERATOR

⚠️ WARNING



Electrical Shock Hazard.

Failure to follow these instructions can result in death, fire, or electrical shock.

The power cord of this appliance is equipped with a 3-prong (grounding) plug which mates with a standard 3-prong (grounding) wall receptacle to minimize the possibility of electric shock hazard from this appliance.

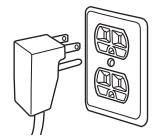
Have the wall outlet and circuit checked by a qualified electrician to make sure the outlet is properly grounded.

Where a standard 2-prong wall outlet is encountered, it is your personal responsibility and obligation to have it replaced with a properly grounded 3-prong wall outlet.

DO NOT, UNDER ANY CIRCUMSTANCES, CUT OR REMOVE THE THIRD (GROUND) PRONG FROM THE POWER CORD.

DO NOT USE AN ADAPTER PLUG TO CONNECT THE REFRIGERATOR TO A 2-PRONG OUTLET.

DO NOT USE AN EXTENSION CORD WITH THIS APPLIANCE.



MISE À LA TERRE DU RÉFRIGÉRATEUR

⚠️ AVERTISSEMENT



Risque de choc électrique.

Le non-respect de ces instructions peut entraîner des risques d'incendies, des chocs électriques ou la mort.

Le cordon d'alimentation de cet appareil est équipé d'une fiche à trois broches (pour une mise à la terre) qui s'adapte à la prise de courant standard à 3 broches (pour une mise à la terre) pour minimiser les risques de chocs électriques par cet appareil.

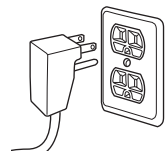
Faites vérifier la prise murale et le circuit électrique par un électricien qualifié pour s'assurer que le système est correctement mis à la terre.

Dans le cas d'une prise biphasée, l'installateur a la responsabilité et l'obligation de la remplacer par une prise triphasée correctement mise à la terre.

NE COUPEZ PAS OU N'ENLEVEZ PAS, SOUS AUCUN PRÉTEXTE, LA TROISIÈME BROCHE DE MISE À LA TERRE DU CORDON D'ALIMENTATION.

N'UTILISEZ PAS D'ADAPTATEUR POUR BRANCHER LE RÉFRIGÉRATEUR À UNE PRISE BIPHASÉE.

N'UTILISEZ PAS DE RALLONGE AVEC CET APPAREIL.



Installation Instructions - Flush Installation

STEP 1 REMOVE PACKAGING

⚠ WARNING  **Tip Over Hazard.**

The refrigerator is much heavier at the top than at the bottom—be careful when moving. When using a hand truck, handle from the side only.

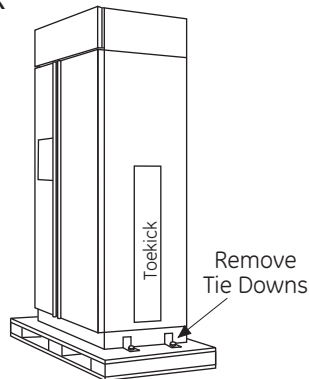
⚠ AVERTISSEMENT  **Risque de basculement**

Le réfrigérateur est beaucoup plus lourd en haut qu'en bas. Il faut être prudent lors des déplacements. Si un diable est utilisé, il faut soulever le réfrigérateur sur le côté seulement.

- Carefully cut banding at the top and bottom, remove the outer carton.
- Slide out the back corner posts (2).
- Slide the carton off the top of the cabinet.

NOTE: IT IS NOT NECESSARY TO LAY THE CABINET DOWN IN ORDER TO REMOVE THE SKID!

- The unit is secured to the skid with 4 slotted tie-down straps. Remove the six 7/16" bolts from the base channels in the tie-downs.
- Remove the six 7/16" bolts securing the straps to the skid.



NOTE: DO NOT ATTEMPT TO ROLL UNIT OFF SKID.

- The support blocks on the bottom of the refrigeration case must be removed before the refrigerator is taken off the skid or damage will occur. Carefully tilt the refrigerator and slide the blocks out from beneath.
- Remove the toekick and set aside for final installation.
- Lift the refrigerator off the skid with an appliance dolly. Handle from the sides.

STEP 2 MOVE THE REFRIGERATOR INTO THE HOUSE

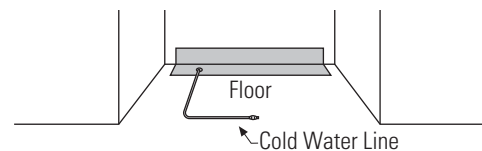
- Re-use the corner posts from the packaging to protect stainless steel models. Run the appliance dolly straps over the posts and under the handles.
- Leave the protective film on the refrigerator until installation is complete. **IMPORTANT:** Never lift the refrigerator by the handle or push against the grille panel; this could cause damage or misalignment.
- Avoid laying the unit on its back or side to prevent sealed system restrictions.

STEP 3 INSTALL WATER LINE

⚠ WARNING Connect to potable water supply only.

⚠ AVERTISSEMENT Raccordez l'appareil à une alimentation d'eau potable seulement.

- A cold water supply is required for automatic icemaker operation. The water pressure must be between 40 and 120 p.s.i. (275-827 kPa).
- Route 1/4" OD copper or SmartConnect™ plastic tubing between house cold water line and the water connection location.
- The tubing should be long enough to extend to the front of the refrigerator. Allow enough tubing to accommodate the bend leading into the water line connection.



NOTE: The only Monogram approved plastic tubing is supplied in the SmartConnect™ Refrigerator Tubing kits. Do not use any other plastic water supply line because the line is under pressure at all times. Other types of plastic may crack or rupture with age and cause water damage to your home.

SmartConnect™ Refrigerator Tubing Kits are available in the following lengths:

- 2' (.6 m) WX08X10002
- 8' (2.4 m) WX08X10006
- 15' (4.6 m) WX08X10015
- 25' (7.6 m) WX08X10025

Shut off the main water supply.

Turn on the nearest faucet long enough to clear the line of water.

- Install a shut-off valve between the icemaker water valve and cold water pipe in a basement or cabinet. The shut-off valve should be located where it will be easily accessible.
- Turn on the main water supply and flush debris. Run about a quart of water through the tubing into a bucket. Shut off the water supply at the shut-off valve.

NOTE: Saddle type shut-off valves are included in many water supply kits. Before purchasing, make sure a saddle type valve complies with your local plumbing codes.

NOTE: Commonwealth of Massachusetts Plumbing Codes 248CMR shall be adhered to. Saddle valves are illegal and use is not permitted in Massachusetts. Consult with your licensed plumber.

Installation Instructions - Flush Installation

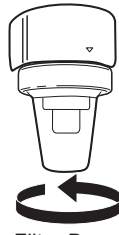
STEP 4 INSTALLATION WITH HOUSEHOLD WATER FILTRATION SYSTEM

Skip this step if you do not have a household water filtration system

If the water supply to the refrigerator is from any household water filtration system, the filter cartridge should be removed. For better ice and water performance, remove the filter and install the filter bypass plug.



Rotate Counterclockwise To Remove



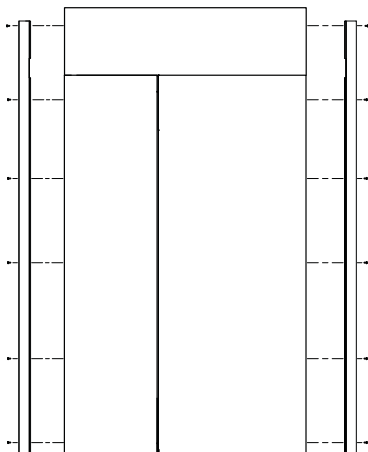
Filter Bypass Plug

STEP 5 INSTALL SIDE PANELS

Skip this step when not using side panels. If you are using 1/4" (0.63 cm) side panels, they should be inserted into the case trim. Fasten the panels to the refrigerator with stick-on hook and loop fastener strips before setting the refrigerator in place.

STEP 6 INSTALL CASE TRIM

The unit arrives with case trim for standard installation attached. Flush installation case trim is provided. Remove the three pieces of factory installed case trim (both sides and top). Install new case trim using supplied right hand and left hand case trim pieces and case trim screws. A top piece of case trim is not required for flush installation. Attach case trim to each side of case as shown in illustration using case trim screws in holes provided down each side of the case.



STEP 7 ANTI-TIP PROCEDURE

⚠ WARNING



Tip Over Hazard.

These refrigerators are top heavy, especially with any doors open, and must be secured to prevent tipping forward which could result in death or serious injury. Read and follow the entire installation instructions for securing the refrigerator with the anti-tip system.

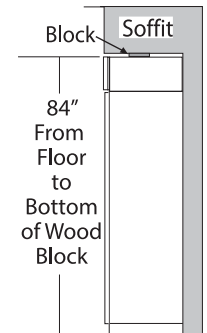
⚠ AVERTISSEMENT



Risque de basculement

Ces réfrigérateurs présentent une partie supérieure lourde, en particulier avec une porte ouverte; ils doivent donc être fixés pour prévenir le basculement vers l'avant et le risque concomitant de blessure grave ou fatale. Lisez et suivez les instructions d'installation complètes pour l'installation du système anti-basculement.

- Cut a 1" x 4" block, 35" (88.9 cm) long.
- Measure and mark under the soffit, 5-1/4" (13.34 cm) from the front edge of the cabinet.
- Secure the wood block under the soffit. From the bottom of the block to the finished floor should measure 84" (213.36 cm). See the illustration.



Side View

Connect Power Cord:

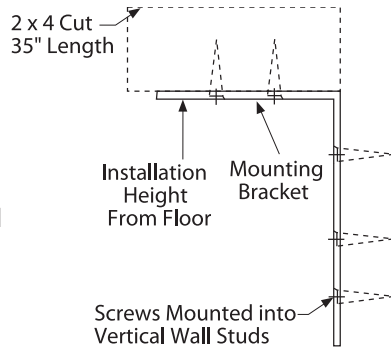
- Before pushing the refrigerator into the opening, plug the power cord into the receptacle. The water filter guard will need to be removed for access (some models). Remove the 3 screws holding it in place. If access is still too tight, remove the 2 screws holding the water filter bracket and move aside. Open the grille panel and reach into the opening at the back to grasp the power cord. Pull the power cord into the opening as you push the refrigerator back. Secure the bracket and guard with the original screws.
- Gently push refrigerator into the opening with hands against front corners.
- Once the refrigerator is pushed into the opening, use leveling legs to raise the refrigerator until it rests against the block installed at the top of the opening.

Installation Instructions - Flush Installation

STEP 7 ANIT-TIP PROCEDURE (continued)

We recommend units for flush installation be installed under a soffit. If this is not possible, follow these instructions using the mounting brackets.

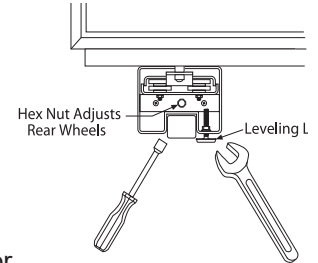
- Cut a 2" x 4" block, 35" (88.9 cm) long and secure the block to the mounting brackets provided using #12 or #14 wood screws.
- Secure the bracket with wood block to the back wall so that it is 84" (213.36 cm) from the finished floor. Use #12 or #14 wood screws. See the illustration.
- The screws must penetrate at least one inch into the vertical wall studs.
- If metal wall studs then use self-tapping sheet metal screws in place of the wood screws to secure the block and brackets to the wall.



STEP 8 LEVEL REFRIGERATOR

All models have 4-point leveling. The front is supported by leveling legs, the rear is supported by adjustable wheels. Both are accessible from the front of the refrigerator.

- To level the back of the refrigerator, turn the 7/16" hex nut located above the front wheels. Turn clockwise to raise or counterclockwise to lower the refrigerator.
- For front leveling, use a 1-1/4" open-end wrench.
- Adjust height of refrigerator to match installation cutout opening 84-1/2" (214.63 cm). The refrigerator should be level and plumb with cabinetry.



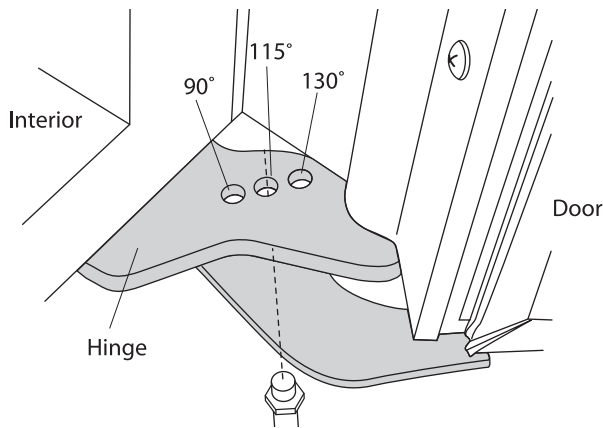
NOTICE: The rear leveling wheels and front leveling legs are limited to a maximum height adjustment of 1" (2.54 cm). If the installation requires more than 84-1/2" (214.63 cm) height, the installer should elevate the refrigerator on a sheet of plywood or runners. Cabinetry trim could also be added across the top of the opening to shorten the opening. **If you attempt to raise the refrigerator more than 1" (2.54 cm), you will damage the front leveling legs and the rear leveling wheels. Make adjustments in small increments.**

Installation Instructions - Flush Installation

STEP 9 ADJUST DOOR SWING

NOTE: This refrigerator has a 3-position door stop. When space does not allow the door to swing open fully to 115°, you may change the door swing to a 90° opening. A 130° door swing option is available for standard installation only. **Skip this step if door opening is satisfactory for your installation situation.**

- Open the door to view the bottom hinge. Note the door stop pin locations. The pin is factory installed in the 115° position.
- Close the door. From below, use pliers to unscrew the door stop and reinstall into the 90° position.



⚠ WARNING



Door Trim Pinch Point Hazard

Improper installation can lead to a finger pinch point hazard between the side door trim and the cabinets when operating the door, especially with children. To minimize this risk you must follow the installation instructions for cabinet dimensions, trim assembly, and door stop angle.

⚠ AVERTISSEMENT



Risque de pincement de la garniture de porte

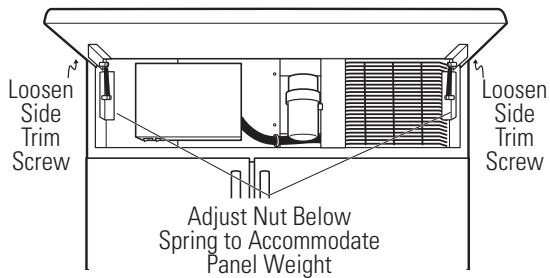
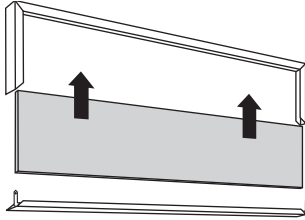
Une installation incorrecte représente un risque de pincement pour les doigts entre le côté de la garniture de porte et les armoires lors de l'ouverture ou de la fermeture de la porte, spécialement pour les enfants. Pour réduire ce risque, vous devez suivre les instructions d'installation selon les dimensions des armoires, l'assemblage de garniture et l'angle de butée de la porte.

Installation Instructions - Flush Installation

STEP 10 INSTALL GRILLE PANEL

To insert the framed or overlay panel into the grille:

- Raise the grille panel to the stop position.



- Loosen the screws on the side trim behind the frame. Remove the bottom trim.

⚠ CAUTION SHARP EDGE HAZARD

The metal panel may be slippery. Grip the metal panel firmly so the panel does not slip out of the frame and cause personal injury or damage to the frame.

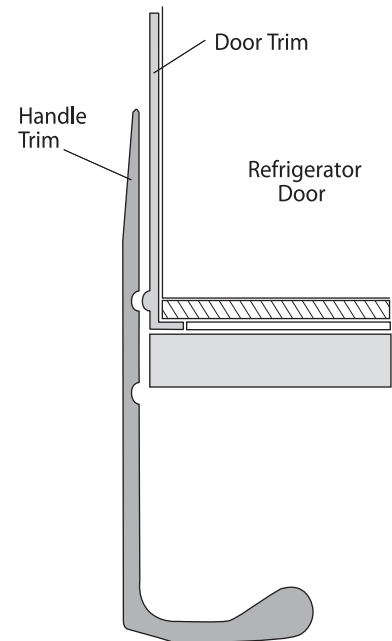
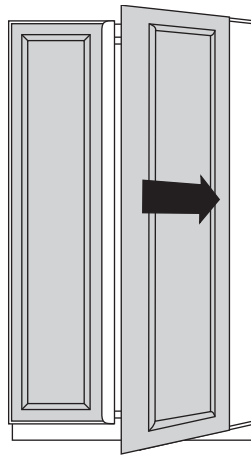
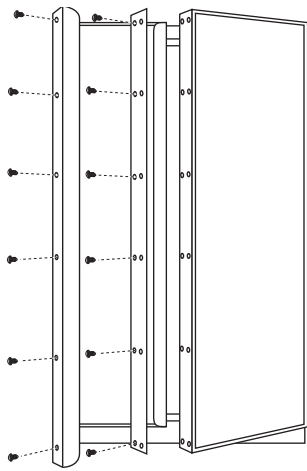
⚠ ATTENTION RISQUE DE COUPURE : ATTENTION AUX ARÊTES VIVES

Le panneau en métal peut être glissant. Tenir fermement le panneau en métal, de manière à ce que le panneau ne glisse pas en dehors du cadre en provoquant des blessures corporelles ou des dommages au cadre.

- Slide the panel over the metal backer panel and into the trim.
- If necessary, tap with a wood block until the panel slips under the top trim piece.
- Reassemble the bottom trim. Tighten the screws.
- Adjust the hinge spring to accommodate the panel weight, if necessary.

Installation Instructions - Flush Installation

STEP 11 INSTALL OVERLAY PANELS

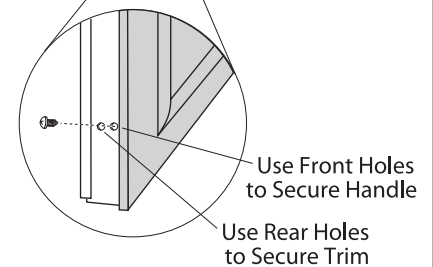
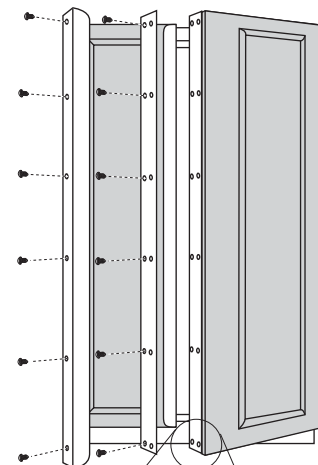
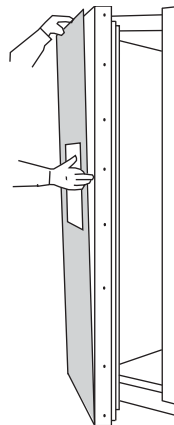


Install door panels:

- Open door to 90°. Remove the 6 Phillips head screws from the door handle.
- Remove the handle. Retain all screws.
- Remove the 6 screws holding the trim, then lift off the trim. Retain the screws.
- Slide the overlay panel into the door trim.
- **Custom handles must be used with flush inset. Make sure handles are attached before installing panels.**

Dispenser Models Only:

- The dispenser controls protrude beyond the face of the freezer door. To avoid damage to the dispenser, the trim at the top of the door should be removed.
- Remove the screws holding the top trim in place.
- Place the assembled freezer panel into the bottom channel and slide into the hinge side trim.
- Reinstall the top trim piece with the screws.
- There are two sets of holes in the door trim. Replace door trim by installing all of the screws in the two sets of screw holes.
- Follow the same procedures to install the opposite panel.
- Discard the visor handle.

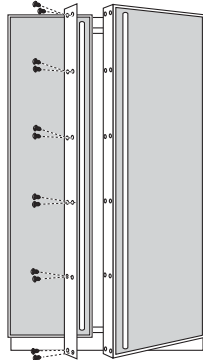


Installation Instructions - Flush Installation

STEP 11 INSTALL OVERLAY PANELS (continued)

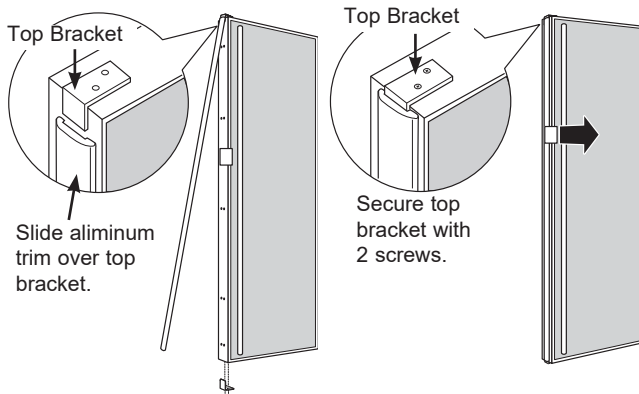
Custom Handles

- Custom handles must be used for flush installation. The handle must be properly secured to the overlay panel before sliding the panel into the trim.
- The cabinet manufacturer will supply the custom handle and hardware.
- Discard the supplied handle.



Reinstall all original screws.

- A trim cover kit has been supplied with your refrigerator. It can be used to cover the exposed screw holes.
- Install a supplied bracket onto the top of the door, using a Phillips head screwdriver and the 2 screws provided. **Hand-tighten the screws into the brackets. Do not overtighten; damage will occur.**
- Clean the aluminum trim with rubbing alcohol—do not use alcohols with oil or lanolin that will prevent adhesion of double-sided tape.
- Slip the aluminum cover onto the top bracket to check the fit. The aluminum cover trim has a slot on each end which fits the bracket.



- Remove the trim. Peel away a few inches of the adhesive backing. **IMPORTANT:** The tape is very sticky and strong. Once it adheres to a surface, it cannot be removed without damaging both surfaces. **Do not install the trim before the final wood panels are in place.** Be sure to align the trim carefully before removing the paper backing.

STEP 11 INSTALL OVERLAY PANELS (continued)

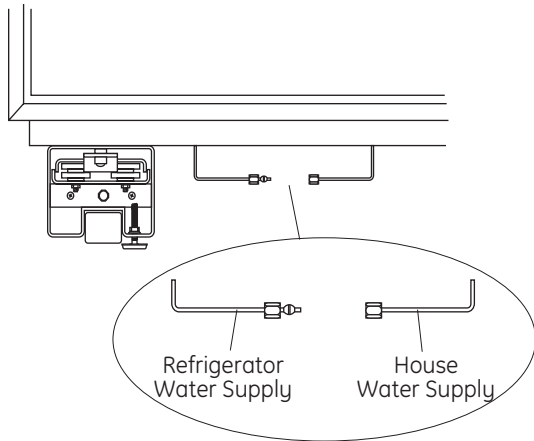
- Carefully place the aluminum cover trim onto the top bracket so that the bracket is inside the cover trim. Use the top to bottom grooves along the handle side to align the cover trim accurately. Align the bracket with the screw holes in the top of the door. Pull the tape a few inches at a time while pressing the trim against the door. Press and hold approximately 10 seconds before continuing along the length of the door.
- Install another bracket at the bottom of the door to secure the cover trim. Use a stubby Phillips head screwdriver and the 2 screws provided. **NOTE:** Make sure there are no gaps in the installation.
- Follow the same procedure on the opposite door.

Installation Instructions - Flush Installation

STEP 12 CONNECT WATER SUPPLY

⚠ WARNING Connect to potable water supply only.

⚠ AVERTISSEMENT Raccordez l'appareil à une alimentation d'eau potable seulement.



- Locate and bring the tubing to the front of the cabinet.
- Turn the water on to flush debris from the line. Run about a quart of water through the tubing into a bucket, then shut off the water.

Copper Tubing:

- Slip a 1/4" nut and ferrule (provided) over both ends of the copper tubing. Insert the tube into the union fitting on the unit and tighten the nut to the union.
- Turn on the water to check for leaks.

SmartConnect™ Tubing:

NOTE: The only Monogram-approved plastic tubing is supplied in the SmartConnect™ Refrigerator Tubing kits. Do not use any other plastic water supply line because the line is under pressure at all times. Other types of plastic may crack or rupture with age and cause water damage to your home.

SmartConnect™ Refrigerator Tubing Kits are available in the following lengths:

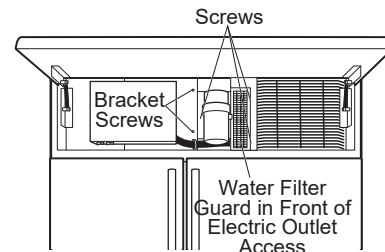
- 2' (.6 m) WX08X10002
- 8' (2.4 m) WX08X10006
- 15' (4.6 m) WX08X10015
- 25' (7.6 m) WX08X10025

- Insert the molded end of the tubing into the refrigerator connection. Tighten the compression nut until it is just hand tight.
- Tighten one additional turn with a wrench. Overtightening can cause leaks!
- Turn on the water to check for leaks.

NOTE: Make sure excess tubing length does not interfere with the toekick installation.

STEP 13 CONNECT POWER, CLOSE GRILLE PANEL

- Open the grille panel.
- Plug in the power cord (if necessary) by reaching into the opening next to the water filter. The water filter guard will need to be removed for access (some models). Remove the 3 screws holding it in place. If access is still too tight, remove the 2 screws holding the water filter bracket and move aside. Plug in the power cord. Secure the bracket and guard with the original screws.



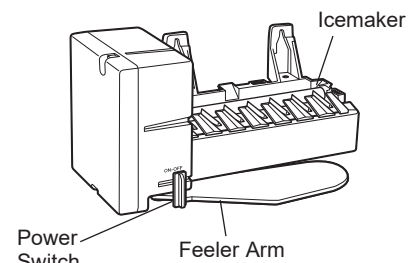
- Check to make sure power to refrigerator is on by opening refrigerator door to see if interior lights are on.
- The temperature controls are preset at 37°F (3°C) for the fresh food section and 0°F (-18°C) for the freezer.
- Allow 24 hours to stabilize before making adjustments.

STEP 14 START ICEMAKER

⚠ CAUTION Avoid contact with the moving parts of the ejector mechanism, or with the heating element (located on the bottom of the icemaker) that releases the cubes. Do not place fingers or hands on the automatic ice making mechanism while the refrigerator is plugged in.

⚠ ATTENTION Évitez tout contact avec les pièces mobiles du mécanisme d'éjection ou l'élément chauffant (situé dans le bas de la machine à glaçons) qui libère les cubes. Ne placez pas les doigts ou les mains sur le mécanisme de production de glace automatique lorsque le réfrigérateur est branché dans la prise électrique.

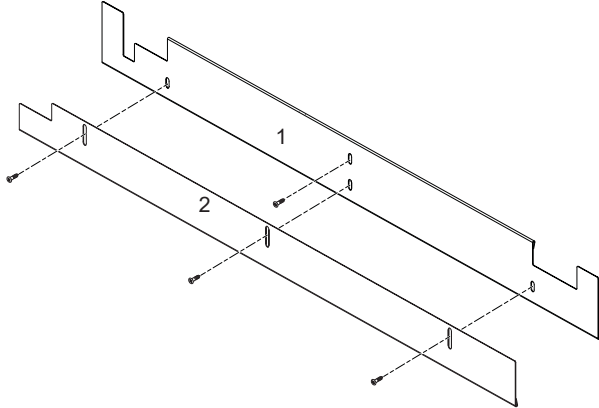
- Slide the switch to ON. The icemaker will begin operation automatically.
- Be sure nothing interferes with the sweep of the feeler arm.
- Discard the first full bucket of ice cubes.
- To turn the icemaker off, slide the switch to OFF.



Installation Instructions - Flush Installation

STEP 15 INSTALL TOEKICKS

- Locate the supplied toekicks (shipped taped to the side of the refrigerator).
- The wider set of toe kicks will be used for flush installation. You can discard the other set of toe kicks.
- Attach the LARGER toekick to the refrigerator using ONLY the top center hole (1).
- Attach the toekick skirt to the refrigerator using the three lower slots (2).

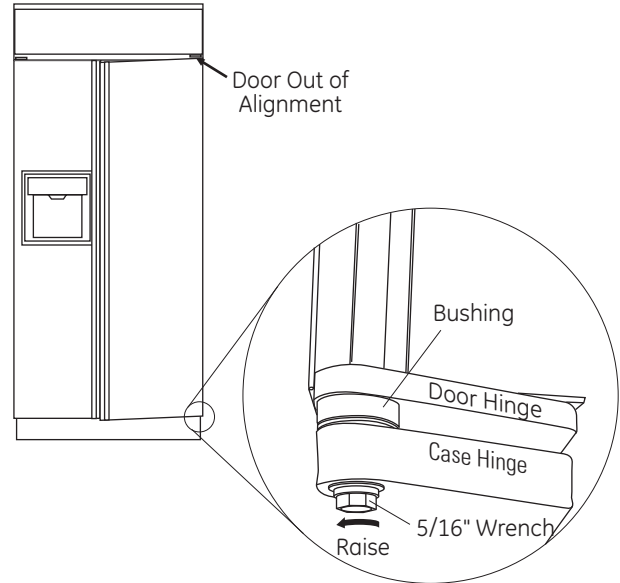


- A custom toekick can be installed to match or complement the surrounding cabinetry. Use the supplied toekick as a template to cut the shape.

INSPECT FINAL INSTALLATION

Check door alignment. Stand back away from the refrigerator to inspect the final installation.

- Check to be sure the handles are evenly aligned with each other at the top. To adjust, loosen the handle screws and slide up or down. Tighten the screws.
- Shipping or the addition of heavy door panels may have caused the doors to move slightly out of alignment.

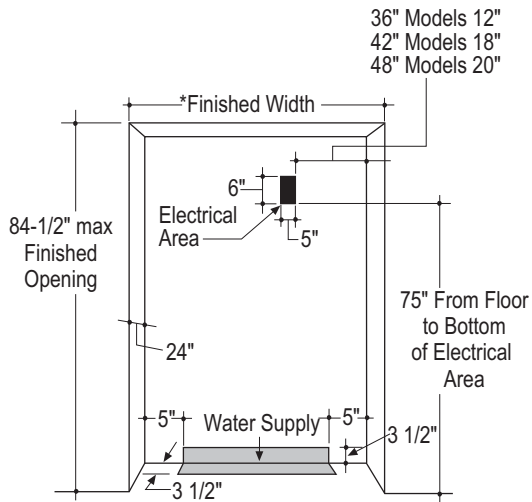


- If necessary, the fresh food door may be adjusted up or down to align with the freezer door.
- Use a 5/16" wrench to adjust the hinge pin as shown.

Instructions for Stainless Steel Installation

Design Guide - Stainless Steel Installation

THE INSTALLATION SPACE



- *The finished cutout width must be:
- 35-1/2" (90.17 cm) for 36" models
 - 41-1/2" (105.41 cm) for 42" models
 - 47-1/2" (120.65 cm) for 48" models

Water And Electrical Locations

The opening must be prepared with the electrical and the cold water supply located as shown.

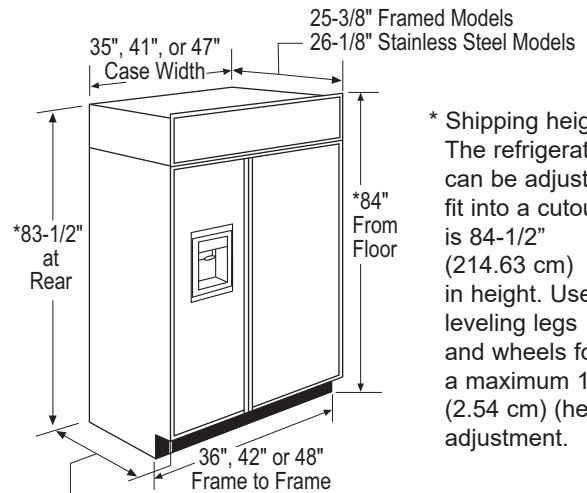
The Cutout Depth Must Be 24" (60.96 cm)

The refrigerator will project forward, slightly beyond adjacent cabinetry for standard installation.

Additional Specifications

- A 115 volt 60Hz., 15 or 20 amp power supply is required. An individual properly grounded branch circuit or circuit breaker is recommended. Install a properly grounded 3-prong electrical receptacle recessed into the back wall. Electrical must be located on the rear wall as shown.
- The water line can enter the opening through the floor or back wall. The water line should be 1/4" O.D. copper tubing or SmartConnect™ kit between the cold water line and water connection location, long enough to extend to the front of the refrigerator. Installation of an easily accessible shut-off valve in the water line is required.

DIMENSIONS AND CLEARANCES

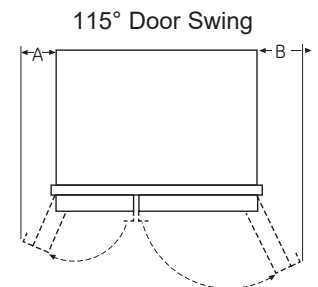


* Shipping height. The refrigerator can be adjusted to fit into a cutout that is 84-1/2" (214.63 cm) in height. Use leveling legs and wheels for a maximum 1" (2.54 cm) (height adjustment).

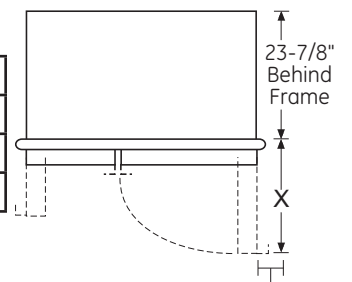
Depth Including Handles:
27-7/8" Stainless Steel Models
28-7/8" Professional Models

Product Clearances

These refrigerators are equipped with a 3-position door stop. The factory-set 115° door swing can be adjusted to 90° if clearance to adjacent cabinets or walls is restricted. Only standard installation can be adjusted to 130°.



90° Door Swing



*Min. Distance to Wall

*4" Stainless and Trimmed Models.
5" Pro Series

Models	X
36"	20-5/8" (52.39 cm)
42"	26-5/8" (67.63 cm)
48"	28-5/8" (72.71 cm)

Allow minimum clearances for the freezer door (Dimension A) and fresh food door (Dimension B) for a full 115° door swing and to allow for pan removal. For a 90° door swing, allow 4" (10.16 cm) min. clearance to a wall, for framed and stainless steel models. Allow 5" (12.7 cm) min. clearance for professional series models. If the 90° door stop position is used, pan access is maintained, but pan removal is restricted.

See the illustrations on pages 41 and 42 to determine door swing interaction with adjacent cabinets or countertops.

Design Guide - Stainless Steel Installation

CUSTOMIZATION BASICS:

Professional Style Stainless Steel Refrigerators

Stainless steel wrapped refrigerators have beveled edges and professional-style handles. These models are shipped ready for installation.

Stainless Steel Wrapped Refrigerators

Stainless Steel wrapped refrigerators have wrapped doors and grille panel, beveled edges, and tubular stainless steel handles that coordinate with other Monogram appliances. These models are shipped ready for installation.

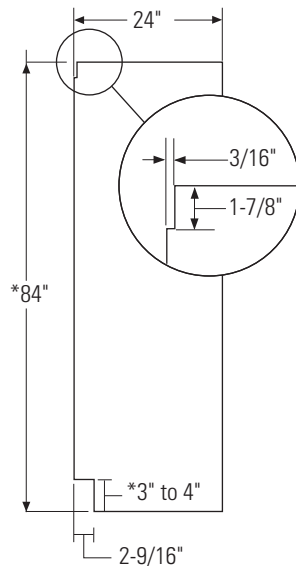
REFRIGERATOR LOCATION

- Do not install the refrigerator where the temperature will go below 55°F (13°C). It will not run often enough to maintain proper temperatures.
- Do not install the refrigerator where temperatures will go above 100°F (37°C). It will not perform properly.
- Do not install the refrigerator in a location exposed to water (rain, etc.) or direct sunlight.
- Install it on a floor strong enough to support it fully loaded.

SIDE PANELS

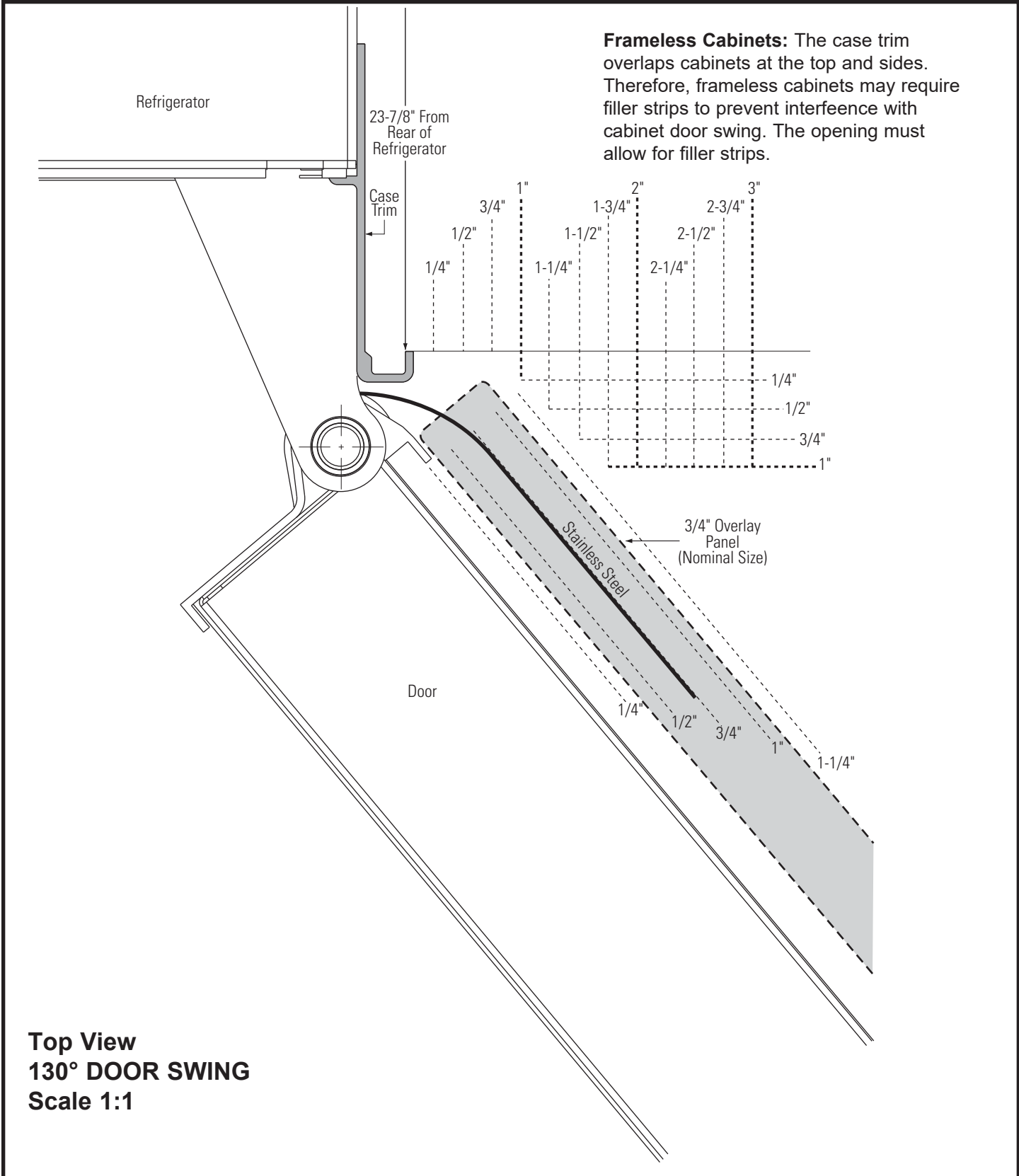
Side panels must be used whenever the sides of the refrigerator will be exposed. The 1/4" (0.63 cm) side panels will slip into the side case trim. Secure the panels to the refrigerator with stick-on hook and loop fastener strips. Order the side panels from the cabinet manufacturer.

- Cut a notch in the top front corner as shown to allow clearance for corner keys in the front side trim.

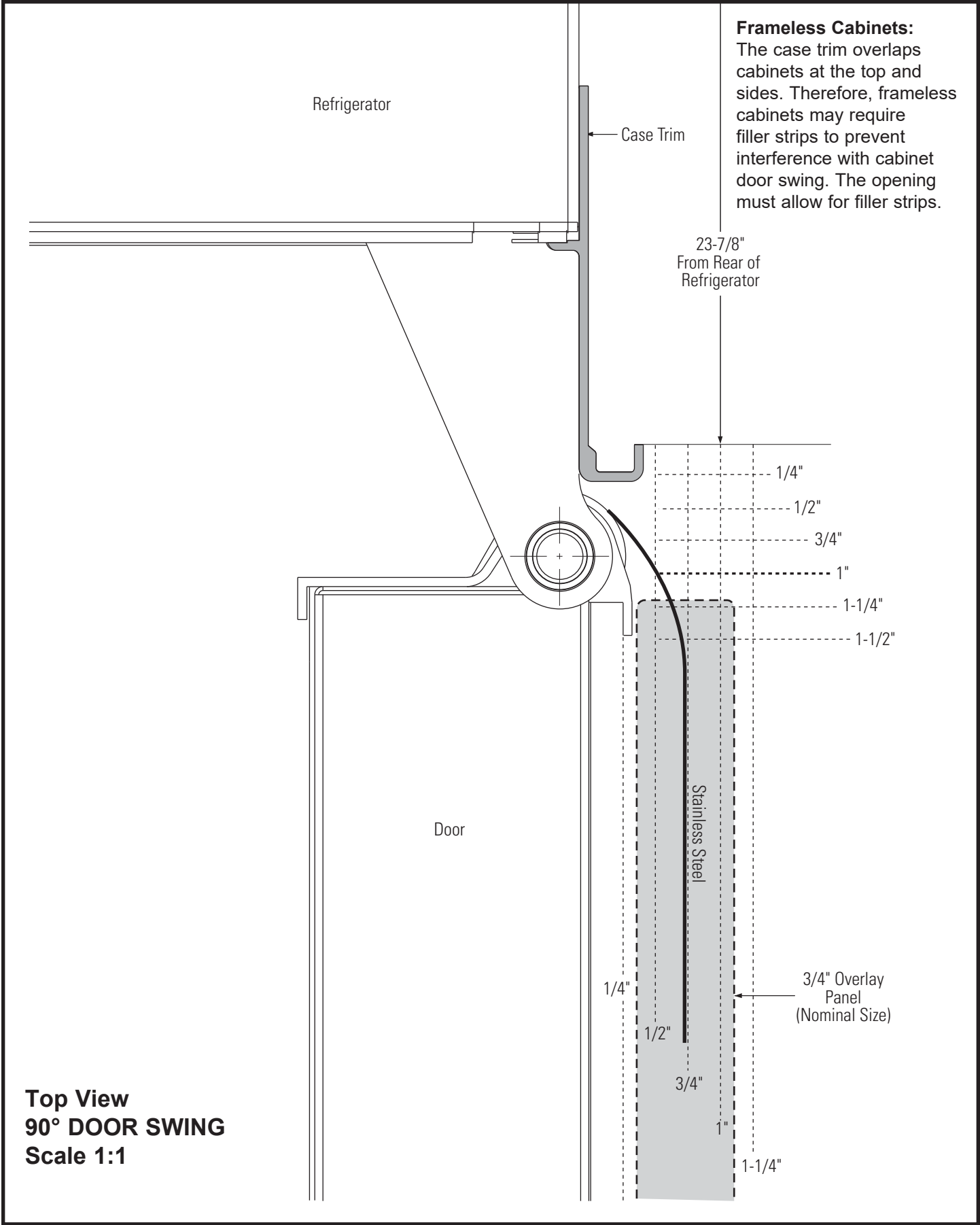


* Depending on installation height.

Design Guide - Stainless Steel Installation



Design Guide - Stainless Steel Installation



**Top View
90° DOOR SWING
Scale 1:1**

Installation Instruction - Stainless Steel Installation

TOOLS AND MATERIALS REQUIRED

- Tinsnips to cut banding
- Stepladder
- 1" Bit extension
- Tape measure
- Gloves
- 1/4" Drywall screws
- 5-Gal. Bucket with cover
- 6" Spirit level
- Appliance hand truck
- Tubing cutter
- 7/16" open-end wrench
- #2 Phillips screwdriver
- Drill and appropriate bits
- 5/16", 7/16" socket
- Safety glasses
- 1-1/8" open end wrench
- Pliers
- 1/4", 5/16" Combo Ratchet
- 35" long 2x4 for Anti-Tip support
- 1/4" copper water line tubing or SmartConnect™ Refrigerator Tubing kits
- Water shut-off valve
- Custom panels for doors and grille panel
- Screws to secure refrigerator to cabinetry
- Stick-on hook and loop fastener strips for 1/4" side panels

HARDWARE SUPPLIED

- Water filter bypass plug
- Toekick
- 1/4" nut and ferrule
- Dispenser trim for overlay panels (for use with Custom Panel models).

FLOORING

For proper installation, this refrigerator must be placed on a level surface of hard material that is at the same height as the rest of the flooring. This surface should be strong enough to support a fully loaded refrigerator, or approximately 1,500 lbs. (680.39 kg).

NOTE: Protect the finish of the flooring. Cut a large section of the cardboard carton and place under the refrigerator where you are working.

GROUNDING THE REFRIGERATOR

⚠ WARNING  **Electrical Shock Hazard.**

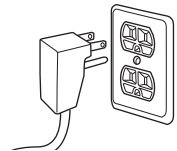
Failure to follow these instructions can result in death, fire, or electrical shock.

The power cord of this appliance is equipped with a 3-prong (grounding) plug which mates with a standard 3-prong (grounding) wall receptacle to minimize the possibility of electric shock hazard from this appliance.

Have the wall outlet and circuit checked by a qualified electrician to make sure the outlet is properly grounded.

Where a standard 2-prong wall outlet is encountered, it is your personal responsibility and obligation to have it replaced with a properly grounded 3-prong wall outlet.

DO NOT, UNDER ANY CIRCUMSTANCES, CUT OR REMOVE THE THIRD (GROUND) PRONG FROM THE POWER CORD.



DO NOT USE AN ADAPTER PLUG TO CONNECT THE REFRIGERATOR TO A 2-PRONG OUTLET.

DO NOT USE AN EXTENSION CORD WITH THIS APPLIANCE.

MISE À LA TERRE DU RÉFRIGÉRATEUR

⚠ AVERTISSEMENT  **Risque de choc électrique.**

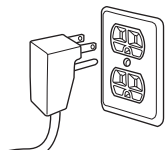
Le non-respect de ces instructions peut entraîner des risques d'incendies, des chocs électriques ou la mort.

Le cordon d'alimentation de cet appareil est équipé d'une fiche à trois broches (pour une mise à la terre) qui s'adapte à la prise de courant standard à 3 broches (pour une mise à la terre) pour minimiser les risques de chocs électriques par cet appareil.

Faites vérifier la prise murale et le circuit électrique par un électricien qualifié pour s'assurer que le système est correctement mis à la terre.

Dans le cas d'une prise biphasée, l'installateur a la responsabilité et l'obligation de la remplacer par une prise triphasée correctement mise à la terre.

NE COUPEZ PAS OU N'ENLEVEZ PAS, SOUS AUCUN PRÉTEXTE, LA TROISIÈME BROCHE DE MISE À LA TERRE DU CORDON D'ALIMENTATION.



N'UTILISEZ PAS D'ADAPTATEUR POUR BRANCHER LE RÉFRIGÉRATEUR À UNE PRISE BIPHASÉE.

N'UTILISEZ PAS DE RALLONGE AVEC CET APPAREIL.

Installation Instruction - Stainless Steel Installation

STEP 1 REMOVE PACKAGING

▲ WARNING  **Tip Over Hazard.**

The refrigerator is much heavier at the top than at the bottom—be careful when moving. When using a hand truck, handle from the side only.

▲ AVERTISSEMENT  **Risque de basculement** Le réfrigérateur est beaucoup plus lourd en haut qu'en bas. Il faut être prudent lors des déplacements. Si un diable est utilisé, il faut soulever le réfrigérateur sur le côté seulement.

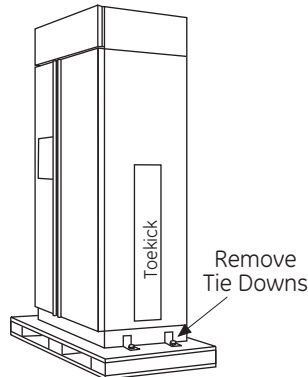
- Carefully cut banding at the top and bottom, remove the outer carton.
- Slide out the back corner posts (2).
- Slide the carton off the top of the cabinet.

NOTE: IT IS NOT NECESSARY TO LAY THE CABINET DOWN IN ORDER TO REMOVE THE SKID!

- The unit is secured to the skid with 4 slotted tie-down straps. Remove the six 7/16" bolts from the base channels in the tie-downs.
- Remove the six 7/16" bolts securing the straps to the skid.

NOTE: DO NOT ATTEMPT TO ROLL UNIT OFF SKID.

- The support blocks on the bottom of the refrigeration case must be removed before the refrigerator is taken off the skid or damage will occur. Carefully tilt the refrigerator and slide the blocks out from beneath.
- Remove the toekick and set aside for final installation.
- Lift the refrigerator off the skid with an appliance dolly. Handle from the sides.



STEP 2 MOVE THE REFRIGERATOR INTO THE HOUSE

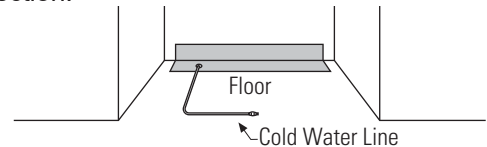
- Re-use the corner posts from the packaging to protect stainless steel models. Run the appliance dolly straps over the posts and under the handles.
- Leave the protective film on the refrigerator until installation is complete. **IMPORTANT:** Never lift the refrigerator by the handle or push against the grille panel; this could cause damage or misalignment.
- Avoid laying the unit on its back or side to prevent sealed system restrictions.

STEP 3 INSTALL WATER LINE

▲ WARNING **Connect to potable water supply only.**

▲ AVERTISSEMENT **Raccordez l'appareil à une alimentation d'eau potable seulement.**

- A cold water supply is required for automatic icemaker operation. The water pressure must be between 40 and 120 p.s.i. (275-827 kPa).
- Route 1/4" OD copper or SmartConnect™ plastic tubing between house cold water line and the water connection location.
- The tubing should be long enough to extend to the front of the refrigerator. Allow enough tubing to accommodate the bend leading into the water line connection.



NOTE: The only Monogram approved plastic tubing is supplied in the SmartConnect™ Refrigerator Tubing kits. Do not use any other plastic water supply line because the line is under pressure at all times. Other types of plastic may crack or rupture with age and cause water damage to your home.

SmartConnect™ Refrigerator Tubing Kits are available in the following lengths:

- 2' (.6 m) WX08X10002
- 8' (2.4 m) WX08X10006
- 15' (4.6 m) WX08X10015
- 25' (7.6 m) WX08X10025

Shut off the main water supply.

Turn on the nearest faucet long enough to clear the line of water.

- Install a shut-off valve between the icemaker water valve and cold water pipe in a basement or cabinet. The shut-off valve should be located where it will be easily accessible.
- Turn on the main water supply and flush debris. Run about a quart of water through the tubing into a bucket. Shut off the water supply at the shut-off valve.

NOTE: Saddle type shut-off valves are included in many water supply kits. Before purchasing, make sure a saddle type valve complies with your local plumbing codes.

NOTE: Commonwealth of Massachusetts Plumbing Codes 248CMR shall be adhered to. Saddle valves are illegal and use is not permitted in Massachusetts. Consult with your licensed plumber.

Installation Instruction - Stainless Steel Installation

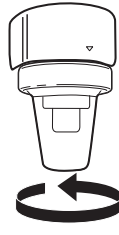
STEP 4 INSTALLATION WITH HOUSEHOLD WATER FILTRATION SYSTEM

Skip this step if you do not have a household water filtration system

If the water supply to the refrigerator is from any household water filtration system, the filter cartridge should be removed. For better ice and water performance, remove the filter and install the filter bypass plug.



Rotate Counterclockwise To Remove



Filter Bypass Plug

STEP 5 INSTALL SIDE PANELS

Skip this step when not using side panels. If you are using 1/4" (0.63 cm) side panels, they should be inserted into the case trim. Fasten the panels to the refrigerator with stick-on hook and loop fastener strips before setting the refrigerator in place.

STEP 6 ANIT-TIP PROCEDURE

⚠ WARNING Tip Over Hazard.

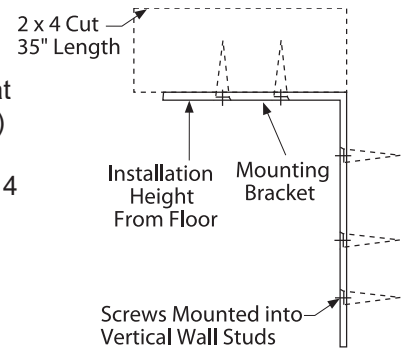
These refrigerators are top heavy, especially with any doors open, and must be secured to prevent tipping forward which could result in death or serious injury. Read and follow the entire installation instructions for securing the refrigerator with the anti-tip system.

⚠ AVERTISSEMENT Risque de basculement

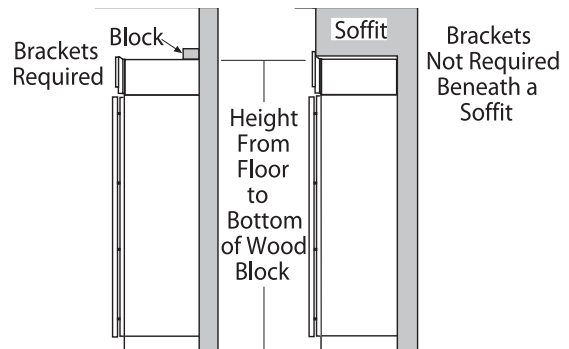
Ces réfrigérateurs présentent une partie supérieure lourde, en particulier avec une porte ouverte; ils doivent donc être fixés pour prévenir le basculement vers l'avant et le risque concomitant de blessure grave ou fatale. Lisez et suivez les instructions d'installation complètes pour l'installation du système anti-basculement.

STEP 6 ANIT-TIP PROCEDURE (Cont.)

- Cut a 2" x 4" block, 35" (88.9 cm) long and secure the block to the mounting brackets provided using #12 or #14 wood screws.
- Secure the bracket with wood block to the back wall so that it is 84" (213.36 cm) from the finished floor. Use #12 or #14 wood screws. See the illustration.
- The screws must penetrate at least one inch into the vertical wall studs.
- If metal wall studs, use self-tapping sheet metal screws in place of wood screws.



IMPORTANT: When the refrigerator is installed under a soffit or if there is not enough height for this method of security, brackets cannot be used. Proceed to step 7 to level the refrigerator and then to step 8 to secure refrigerator to cabinets. The refrigerator must be secured to prevent tipping.



Side View

Connect power cord:

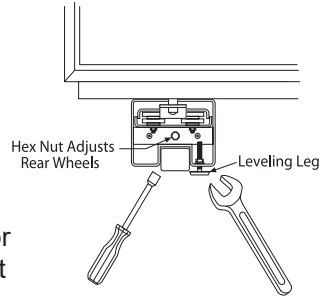
- Before pushing the refrigerator into the opening, plug the power cord into the receptacle. The water filter guard will need to be removed for access (some models). Remove the 3 screws holding it in place. If access is still too tight, remove the 2 screws holding the water filter bracket and move aside. Open the grille panel and reach into the opening at the back to grasp the power cord. Pull the power cord into the opening as you push the refrigerator back. Secure the bracket and guard with the original screws.
- Gently push refrigerator into the opening with hands against front corners.

Installation Instruction - Stainless Steel Installation

STEP 7 LEVEL REFRIGERATOR

All models have 4-point leveling. The front is supported by leveling legs, the rear is supported by adjustable wheels. Both are accessible from the front of the refrigerator.

- To level the back of the refrigerator, turn the 7/16" hex nut located above the front wheels. Turn clockwise to raise or counterclockwise to lower the refrigerator.
- For front leveling, use a 1-1/4" open-end wrench.
- Adjust height of refrigerator to match installation cutout opening 84-1/2" (214.63 cm). The refrigerator should be level and plumb with cabinetry.

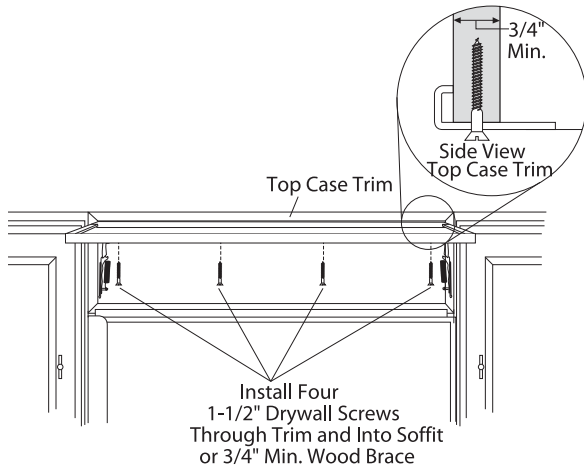


NOTICE: The rear leveling wheels and front leveling legs are limited to a maximum height adjustment of 1" (2.54cm). If the installation requires more than 84-1/2" (214.63 cm) height, the installer should elevate the refrigerator on a sheet of plywood or runners. Cabinetry trim could also be added across the top of the opening to shorten the opening. **If you attempt to raise the refrigerator more than 1" (2.54 cm), you will damage the front leveling legs and the rear leveling wheels. Make adjustments in small increments.**

STEP 8 ALTERNATE ANTI-TIP PROCEDURE

The refrigerator must be secured to prevent tipping.

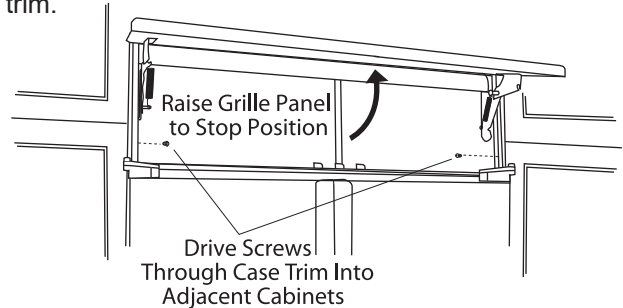
- Raise the grille panel to access case trim.



- Use a 3/16" bit to drill four evenly spaced clearance holes through the metal top case trim.

STEP 8 ALTERNATE ANTI-TIP PROCEDURE (Cont.)

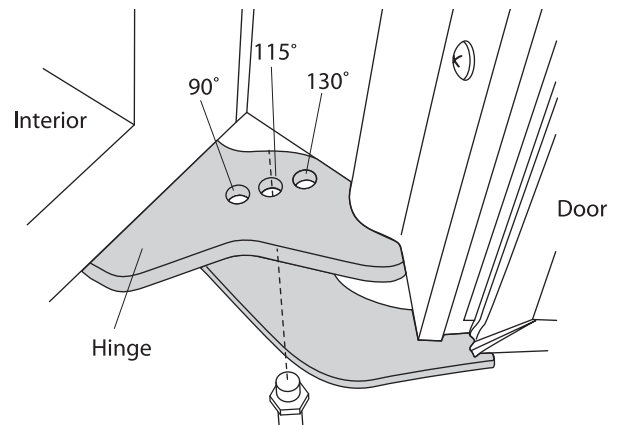
- Use a 1/16" bit to drill to pilot holes through the metal clearance holes and into the wood soffit. The holes should be centered in the soffit or a 3/4" (1.91 cm) min. wood brace. The brace spanning the enclosure must be securely fastened to cabinets on both sides.
- Install four, 1-1/2" drywall screws into the pilot holes.
- Drill screws into adjacent cabinets through side case trim.



STEP 9 ADJUST DOOR SWING

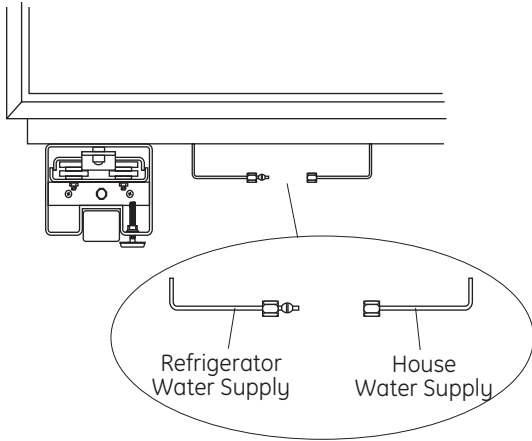
NOTE: This refrigerator has a 3-position door stop. When space does not allow the door to swing open fully to 115°, you may change the door swing to a 90° opening. A 130° door swing option is available for standard installation only. **Skip this step if door opening is satisfactory for your installation situation.**

- Open the door to view the bottom hinge. Note the door stop pin locations. The pin is factory installed in the 150° position.
- Close the door. From below, use pliers to unscrew the door stop and reinstall into the 90° or 130° position.



Installation Instruction - Stainless Steel Installation

STEP 10 CONNECT WATER SUPPLY



- Locate and bring the tubing to the front of the cabinet.
- Turn the water on to flush debris from the line. Run about a quart of water through the tubing into a bucket, then shut off the water.

Copper Tubing:

- Slip a 1/4" nut and ferrule (provided) over both ends of the copper tubing. Insert the tube into the union fitting on the unit and tighten the nut to the union.
- Turn on the water to check for leaks.

SmartConnect™ Tubing:

NOTE: The only Monogram-approved plastic tubing is supplied in the SmartConnect™ Refrigerator Tubing kits. Do not use any other plastic water supply line because the line is under pressure at all times. Other types of plastic may crack or rupture with age and cause water damage to your home.

SmartConnect™ Refrigerator Tubing Kits are available in the following lengths:

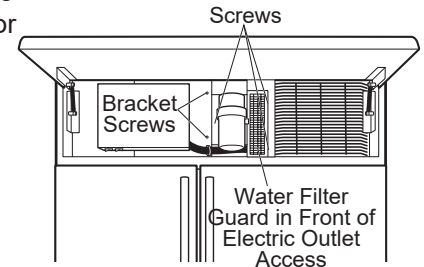
- 2' (.6 m) WX08X10002
- 8' (2.4 m) WX08X10006
- 15' (4.6 m) WX08X10015
- 25' (7.6 m) WX08X10025

- Insert the molded end of the tubing into the refrigerator connection. Tighten the compression nut until it is just hand tight.
- Tighten one additional turn with a wrench. Overtightening can cause leaks!
- Turn on the water to check for leaks.

NOTE: Make sure excess tubing length does not interfere with the toekick installation.

STEP 11 CONNECT POWER, CLOSE GRILLE PANEL

- Open the grille panel.
- Plug in the power cord (if necessary) by reaching into the opening next to the water filter. The water filter guard will need to be removed for access (some models). Remove the 3 screws holding it in place. If access is still too tight, remove the 2 screws holding the water filter bracket and move aside. Plug in the power cord. Secure the bracket and guard with the original screws.
- Check to make sure power to refrigerator is on by opening refrigerator door to see if interior lights are on.
- The temperature controls are preset at 37°F (3°C) for the fresh food section and 0°F (-18°C) for the freezer.
- Allow 24 hours to stabilize before making adjustments.



STEP 12 START ICEMAKER

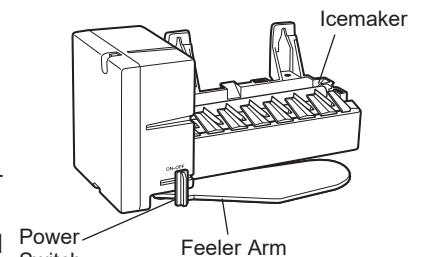
⚠ CAUTION

Avoid contact with the moving parts of the ejector mechanism, or with the heating element (located on the bottom of the icemaker) that releases the cubes. Do not place fingers or hands on the automatic ice making mechanism while the refrigerator is plugged in.

⚠ ATTENTION

Évitez tout contact avec les pièces mobiles du mécanisme d'éjection ou l'élément chauffant (situé dans le bas de la machine à glaçons) qui libère les cubes. Ne placez pas les doigts ou les mains sur le mécanisme de production de glace automatique lorsque le réfrigérateur est branché dans la prise électrique.

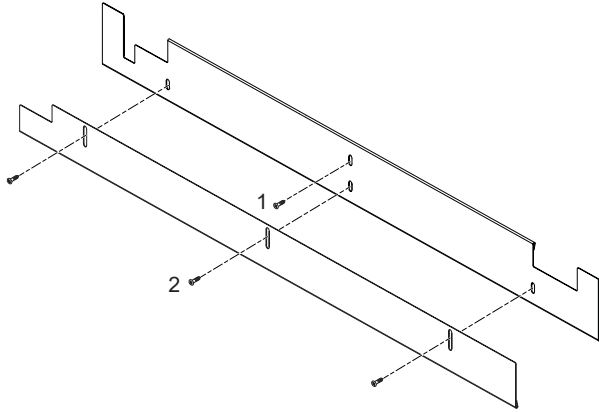
- Slide the power switch to ON.
- The icemaker will begin operation automatically.
- Be sure nothing interferes with the sweep of the feeler arm.
- Discard the first full bucket of ice cubes.
- To turn the icemaker off, slide the switch to OFF.



Installation Instruction - Stainless Steel Installation

STEP 13 INSTALL TOEKICKS

- Locate the supplied toekicks (shipped taped to the side of the refrigerator).
- Attach the LARGER toekick to the refrigerator using ONLY the top center hole (1).
- Attach the toekick skirt to the refrigerator using the three lower slots (2).

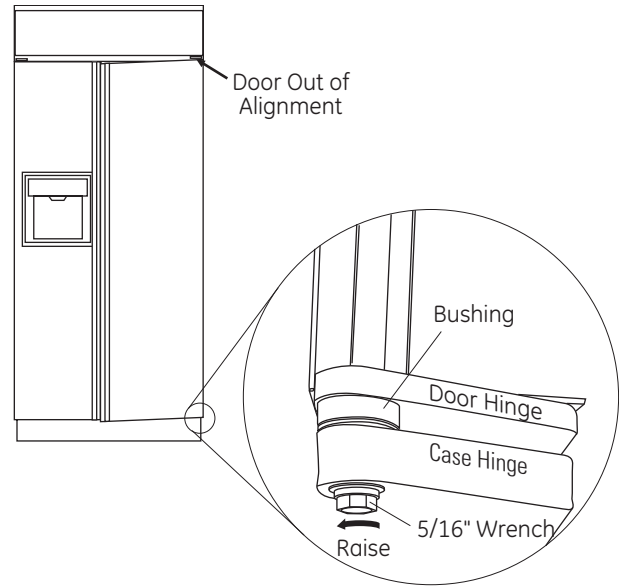


- A custom toekick can be installed to match or complement the surrounding cabinetry. Use the supplied toekick as a template to cut the shape.

INSPECT FINAL INSTALLATION

Check door alignment. Stand back away from the refrigerator to inspect the final installation.

- Check to be sure the handles are evenly aligned with each other at the top. To adjust, loosen the handle screws and slide up or down. Tighten the screws.
- Shipping or the addition of heavy door panels may have caused the doors to move slightly out of alignment.



- If necessary, the fresh food door may be adjusted up or down to align with the freezer door.
- Use a 5/16" wrench to adjust the hinge pin as shown.

NOTE: While performing installations described in this book, safety glasses or goggles should be worn.

NOTE: Product improvement is a continuing endeavor at Monogram. Therefore, materials, appearance and specifications are subject to change without notice.