

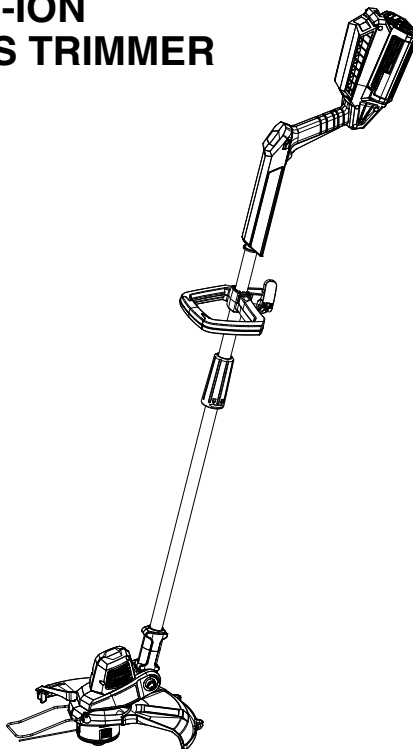
OPERATOR'S MANUAL MANUAL DEL USUARIO

CRAFTSMAN®

60V MAX* LITHIUM-ION CORDLESS GRASS TRIMMER

Model No. 151.98837

Modelo n° 151.98837



⚠ CAUTION: To reduce the risk of injury, the user must read and understand the operator's manual before using this product.

⚠ PRECAUCIÓN: Para reducir el riesgo de lesiones, el usuario debe leer y comprender el manual antes de utilizar este producto.

Sears Brands Management Corporation, Hoffman Estates, IL 60179 USA

Visit the Craftsman web page: www.craftsman.com

Visite el sitio Web de Craftsman: www.craftsman.com

Used under license Usado bajo licencia

**Save this manual for future reference
Conserve este manual para futura referencia.**

* Maximum initial battery voltage (measured without workload) is 60 volts.
Nominal working voltage is 54 volts.

* La tensión inicial máxima de la batería (medida sin carga) es 60 voltios.
La tensión de trabajo nominal es 54 volts.



TABLE OF CONTENTS / TABLA DE CONTENIDOS

ENGLISH

■ Warranty	2
■ Important Safety Instructions.....	3-4
■ Symbols	5-6
■ Features.....	7
■ Assembly.....	8-9
■ Battery Pack and Charger.....	9-11
■ Operation	12-14
■ Care and Maintenance.....	15
■ Environmentally Safe Battery Disposal.....	16
■ Troubleshooting.....	17
■ Illustrated Parts List	18-19
■ Figure Numbers (Illustrations).....	i-v

WARRANTY

CRAFTSMAN LIMITED WARRANTY

FOR FOUR YEARS from the date of sale, this power tool is warranted against defects in material or workmanship.

FOR TWO YEARS from the sale date a supplied battery pack or charger is warranted against material or workmanship defects.

WITH PROOF OF SALE, a defective product will be replaced free of charge.

For warranty coverage details to obtain free replacement, visit the web page:

www.craftsman.com/warranty

This warranty does not cover the trimmer line spool or spool cover, which are expendable parts that can wear out from normal use within the warranty period.

This warranty is void if this product is ever used while providing commercial services or if rented to another person.

This warranty gives you specific legal rights, and you may also have other rights which vary from state to state.

Sears Brands Management Corporation, Hoffman Estates, IL 60179

IMPORTANT SAFETY INSTRUCTIONS

⚠️ WARNING!

Read and understand all instructions. Failure to follow all instructions listed below may result in electric shock, fire and/or serious personal injury:

- Do not operate power tools in explosive atmospheres, such as in the presence of flammable liquids, gases, or dust. Power tools create sparks which may ignite the dust or fumes.
- Do not allow children or untrained individuals to use this unit.
- Don't expose power tools to rain or wet conditions. Water entering a power tool will increase the risk of electric shock.
- Do not handle plugs or tools with wet hands.
- Never allow children to operate the equipment. Never allow adults to operate the equipment without proper instruction.
- Always wear safety glasses with side shields. Everyday glasses have only impact resistant lenses. They are NOT safety glasses. Following this rule will reduce the risk of eye injury. Use a face mask if operation is dusty.
- Wear eye protection when operating this product. Secure long hair above shoulder level to prevent entanglement in moving parts.
- Do not expose to rain, store indoors.
- Do not operate in poor lighting.
- Keep all parts of your body away from any moving part.
- Keep hair, loose clothing, fingers and all body parts away from openings and moving parts.
- Wear heavy long pants, boots, and gloves. Avoid loose garments or jewelry that could get caught in moving parts of the machine or its motor.
- Do not force the tool. Use the correct tool for your application. The correct tool will do the job better and safer at the rate for which it is designed.
- Do not operate the equipment while barefoot or when wearing sandals or similar lightweight footwear. Wear protective footwear that will protect your feet and improve your footing on slippery surfaces.
- Secure long hair so it is above shoulder level to prevent entanglement in any moving parts.
- Keep firm footing and balance. Do not overreach. Overreaching can result in loss of balance.
- Do not allow to be used as a toy. Close attention is necessary when used by or near children.
- Do not use tools if switch does not turn it on or off. Any tools that cannot be controlled with the switch is dangerous and must be repaired.
- Keep all bystanders, children, and pets at least 50 ft. away.
- Do not operate this unit when you are tired, ill, or under the influence of alcohol, drugs, or medication.
- Do not operate in poor lighting.
- Keep all parts of your body away from any moving parts and all hot surfaces of the unit.
- Do not put any object into openings. Do not use with any opening blocked; keep openings free of dust, lint, hair, and anything that may reduce air flow.
- Exercise care in handling batteries in order not to short the battery with conducting materials such as rings, bracelets, and keys. The battery or conductor may overheat and cause burns.
- Use only with Craftsman model 71.9883 or 71.98838 60V Lithium-ion battery packs.
- Do not operate charger with a damaged cord or plug, which could cause shorting and electric shock. If damaged, immediately discontinue use. Replace the charger with the identical unit as listed in the Parts List of this manual.

IMPORTANT SAFETY INSTRUCTIONS

- To reduce the risk of serious personal injury, do not store outside or in vehicles.
- Under extreme usage or temperature conditions, battery leakage may occur. If liquid comes in contact with your eyes, flush them with clean water for at least 10 minutes, then seek immediate medical attention. Following this rule will reduce the risk of serious personal injury. Check the work area before each use. Remove all objects such as rocks, broken glass, nails, wire, or line which can be thrown or become entangled in the machine.
- Use only identical manufacturer's replacement parts and accessories. Use of any other parts may create a hazard or cause product damage.
- For residential use only.
- Store idle appliances - When not in use, grass trimmer should be stored indoors in a dry, locked place out of the reach of children.
- Do not point the grass trimmer in the direction of people or pets.
- Never run the unit without the proper equipment attached. Always ensure the safety guard is installed.
- Maintain tools with care. Keep fan areas clean for best and safest performance. Follow instructions for proper maintenance. Do not attempt to clear clogs from tools without first unplugging it or removing the battery.
- To reduce the risk of electrical shock, do not expose to rain, do not use on wet surfaces. Store indoors.

CHILD SAFETY

Tragic accidents can occur if the operator is not aware of the presence of children.

- Keep children out of the working area and under the watchful care of a responsible adult.
- Do not allow children under the age of 14 to operate this grass trimmer. Children who are 14 years of age and older must read and understand the operating instructions and safety rules in this manual and must be

trained and supervised by a parent.

- Stay alert and turn the grass trimmer off if a child or any other person enters the working area.
- Look behind and down for small children before and while cutting backwards.
- Use extreme care when approaching blind corners, doorways, shrubs, trees, or other objects that may obscure your view of a child who may run into the path of the grass trimmer.



WARNING!











Changes or modifications to this unit not expressly approved by the party responsible for compliance could void the user's authority to operate the equipment.

NOTE: This equipment has been tested and found to comply with the limits for a Class B digital device, pursuant to Part 15 of the FCC Rules. These limits are designed to provide reasonable protection against harmful interference in a residential installation. This equipment generates, uses and can radiate radio frequency energy and, if not installed and used in accordance with the instructions, may cause harmful interference to radio communications. However, there is no guarantee that interference will not occur in a particular installation. If this equipment does cause harmful interference to radio or television reception, which can be determined by turning the equipment off and on, the user is encouraged to try to correct the interference by one or more of the following measures:

- Reorient or relocate the receiving antenna.
- Increase the separation between the equipment and receiver.
- Connect the equipment into an outlet on a circuit different from that to which the receiver is connected.
- Consult the dealer or an experienced radio/TV technician for help.




SYMBOLS

On the product, the rating label and within these instructions you will find among others the following symbols and abbreviations. Familiarize yourself with them to reduce hazards like personal injuries and damage to property.

SYMBOL	NAME	DESIGNATION/EXPLANATION
V	Volts	Voltage
A	Amperes	Current
Hz	Hertz	Frequency (cycles per second)
W	Watt	Power
/min	Per Minute	Revolutions, strokes, surface speed, orbits etc., per minute
~	Alternating Current	Type of current
---	Direct Current	Type or a characteristic of current
min	Minute	Time
	Lithium-Ion Battery Recycling	Designates that this tool is in compliance with Lithium-Ion battery recycling program requirements
	Safety Alert	Indicates a potential personal injury hazard.
	Read The Operator's Manual	To reduce the risk of injury user must read and understand the operator's manual before using this product.
	Eye and Hearing Protection	Always wear the eye protection with side shields marked to comply with ANSI Z87.1, along with hearing protection.
	Wet Conditions Alert	Do not expose to rain or use in damp locations.
	Keep Bystanders Away	Keep all bystanders at least 50 ft. away.
	Keep Away From Water	Do not dispose of battery packs in rivers or immerse in water.
	Keep Away From Fire	Do not dispose of battery packs in fire. They will explode or leak and cause injury.
	Heat Alert	Do not expose battery packs to heat in excess of 60°C.
	Recycle Symbol	This product uses lithium-ion batteries. Local, state, or federal laws may prohibit disposal of batteries in ordinary trash. Consult your local waste authority for information regarding available recycling and/or disposal options.

SYMBOLS

The following signal words and meanings are intended to explain the levels of risk associated with this product.

SYMBOL	SIGNAL	MEANING
	DANGER	Indicates an imminently hazardous situation, which, if not avoided, will result in death or serious injury.
	WARNING	Indicates a potentially hazardous situation, which, if not avoided, could result in death or serious injury.
	CAUTION	Indicates a potentially hazardous situation, which, if not avoided, may result in minor or moderate injury.
	CAUTION	(Without Safety Alert Symbol) Indicates a situation that may result in property damage.

SERVICE

WARNING

Service requires extreme care and knowledge and should be performed only by a qualified service technician. For service, we suggest you return the product to your nearest SERVICE CENTER for repair. When servicing, use only identical replacement parts.

WARNING

To avoid serious personal injury, do not attempt to use this product until you read thoroughly and understand completely the operator's manual. If you do not understand the warnings and instructions in the operator's manual, do not use this product. Call customer service for assistance (1-888-331-4569).

WARNING

The operation of any power tools can result in foreign objects being thrown into your eyes, which can result in severe eye damage. Before beginning power tool operation, always wear safety goggles or safety glasses with side shields and, when needed, a full face shield. We recommend Wide Vision Safety Mask for use over eyeglasses or standard safety glasses with side shields. Always use eye protection which is marked to comply with ANSI Z87.1.

FEATURES

PRODUCT SPECIFICATIONS

Type.....	Cordless, battery-powered
Rated No Load Speed.....	6900±10%/rpm
Trimming Line.....	0.080" (2mm) Round Dual Line, Bump Feed
Trimming Width.....	14"
Unit Weight (With 2.0Ah Battery).....	9.5 lbs (4.3 kg)
Weight without Battery.....	7.5 lbs (3.4 kg)

BATTERY

Model No.....	71.98833
Type.....	60V MAX* Lithium-Ion, 2.0Ah

CHARGER

Model No.....	60LFC01-ETL
Rated Input Voltage.....	120V ~ 60Hz
Rated Output Voltage.....	60V DC
Rated Output Current.....	2A
Charging Time from Zero to Full Charge.....	70 minutes

* Maximum initial battery workload voltage (measured without a workload) is 60 volts.

Nominal voltage is 54 volts.

This product could also use the 60V MAX Lithium-Ion, 5.0Ah battery. Model No. 71.98838

Ah = Amp hours

KNOW YOUR LINE TRIMMER

See Figure 1, page i

The safe use of this product requires an understanding of the information on the product labeling and in this operator's manual as well as a knowledge of the project you are attempting. Before use of this product, familiarize yourself with all operating features and safety rules.

SAFETY GUARD

The trimmer includes a safety guard that helps protect from flying debris.

SAFETY SWITCH

The safety switch prevents accidental starting.

ROTATING SHAFT


The rotating Shaft can be locked in two different positions for ease of use when edging and trimming.

FOREARM PAD

See Figure 1, page i

The forearm pad is a unique feature that functions as a fulcrum to counterbalance the weight of the trimmer head, making the trimmer more comfortable to use.

ASSEMBLY

 **WARNING!** Before assembly, make sure that the grass trimmer is switched off and the battery is removed. If any parts are damaged or missing, do not operate this product until the parts are replaced. Failure to heed this warning can result in serious personal injury. Do not attempt to modify this product or create accessories not recommended for use with this product. Any such alteration or modification is misuse and could result in a hazardous condition leading to possible serious personal injury. Always remove battery pack from your tool when you are assembling parts, making adjustments, cleaning, or when not in use. Removing battery pack will prevent accidental starting that could cause serious personal injury. Never operate without the proper safety devices in place and working. Never operate with damaged safety devices. Failure to heed this warning can result in serious personal injury.

ATTACH AUXILIARY HANDLE

See Figures 2-3, page ii

- Open the locking knob on the auxiliary handle. Rotate knob counterclockwise to unscrew it from bolt. Remove bolt from handle.
- Push the auxiliary handle onto the upper shaft. Rotate the handle so that the inside tab fits into the ridge in the upper shaft. Be sure that handle is in upright position on shaft.
- Insert the bolt back into the handle and screw bolt back into the locking knob. Do not overtighten bolt into knob or knob will not close.
- Slide handle along shaft ridge to preferred position for use. Clamp down locking knob to secure handle to shaft.

CONNECT UPPER AND LOWER SHAFT

See Figure 4, page ii

- Align the triangle cutout on the upper shaft with the triangle cutout on the lower shaft.
- Insert the upper shaft into the lower shaft as far as it will go. The tab on the upper shaft will fit into the slot on the lower shaft.
- Push locking collar on upper shaft forward onto locking threads on lower shaft. Turn collar clockwise until fully tightened to securely fasten shafts together.

ASSEMBLY

ATTACH SAFETY GUARD

See Figure 5, page ii

- Align the three pre-inserted screws in the safety guard with the three holes in the trimmer head.
- Tighten the screws into the holes to secure the guard to the head.

INSTALLING / REMOVING THE BATTERY PACK

See Figure 5b, page ii

To install battery pack:

- Align the groove on each side of the battery pack with the edges of the terminal plate on the underside of the forearm pad.
- Grasp the trimmer firmly by the handle.
- Slide the battery pack onto the terminal plate until it secures into place.
- Do not use force when inserting the battery pack. It should slide into position and "click".

NOTE: Make sure that battery pack firmly snaps into place and is secured to the trimmer handle before starting operation.

To remove battery pack:

- Stop the trimmer by fully releasing trigger.
- Insert finger tip beneath edge of battery pack release button and press and hold button up.
- Slide battery pack off of terminal plate.

BATTERY PACK AND CHARGER

BATTERY CHARGING

- Use only with 60V Craftsman battery chargers. The battery charger supplied is specifically designed for the Lithium-Ion battery used in this tool.
- Check the power voltage! Battery chargers operate on 120 V.
- Charge the battery between 35.6°F and 109.4°F. This ensures an optimum battery service life.

- Protect the battery from heat, from continuous exposure to sun and keep away from radiation or other heat sources. Do not leave the battery in the tool in direct sunlight over long periods.
- The battery is supplied uncharged. Fully charge the battery before using the tool for the first time. The Lithium-Ion battery can be charged at any time without reducing its service life. Interrupting the charging procedure does not affect the battery.

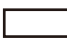



BATTERY PACK AND CHARGER

CHARGER LEDS

■ If the battery is not inserted into the charger, a continuous red LED light indicates that the plug is plugged into an outlet socket and the battery charger is ready for operation.

■ Charging: a flashing green LED on the charger indicates that the battery is charging normally.

■ Charged: continuous green LED on the charger indicates that the battery is ready for use.

SYMBOL	INDICATOR LIGHTS	STATUS
	Red, Continuous	Connected to power supply
	Green, blinking	Charging
	Green, continuous	Fully charged
	Red, blinking	Charging problem: See Technical Issue in CHARGER LEDS

■ Technical Issue: a flashing red LED light on the charger indicates that battery pack has a charging problem or might be defective.

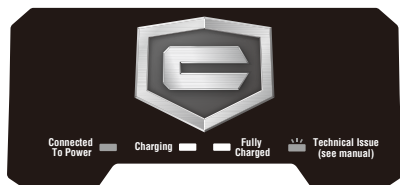
- One possible condition is the battery temperature is not within the charging temperature range of 35.6°F - 109.4°F or the charging current is too high. As soon as the permitted temperature and the charging current ranges are reached, the battery charger will automatically switch to charging.

- If the temperature range and charging current are correct and flashing red LED light continues, then remove and reinstall the battery pack. If the LED status repeats a second time, try to charge another identical battery. If the battery charges normally, dispose of the defective battery pack (see Environmental Safe Battery Disposal section).

- If the flashing red light continues after installing the second battery, the charger may be defective. Replace with a new one.

■ After continuous or repeated charging cycles without interruption, the charger may warm up. This is normal and does not indicate a technical defect of the battery charger.

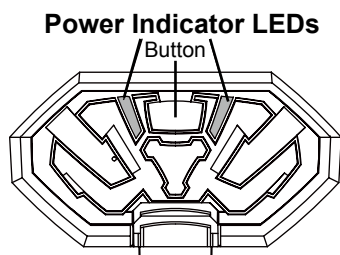
Charger Indicator Panel



BATTERY PACK AND CHARGER

BATTERY LED PANEL

- The panel consists of 2 LEDs on the face of the battery. Press the panel button for the LEDs to show you the charge level of the battery.
- The battery charge level can be checked when the battery is attached or removed from the grass trimmer.



BATTERY LEDS

COLOR	BATTERY CAPACITY
Green	50%~100 %
Orange	25%~ 50%
Red	0-25% (Recharge required)

CHARGING BATTERY PACK

See Figure 13a, page iii

⚠ WARNING!

- If any part of the charger is missing or damaged, do not operate it! Replace the charger with a new one. Failure to heed this warning could result in possible serious injury.
- Check the voltage! The voltage must comply with the information on the rating label.

BATTERY CHARGING PROCEDURE

- Align the two slots on the underside of the battery pack with the two edges of the terminal plate on the side of the charger body. Slide battery pack down until it locks into place.
- Connect the charger to the power supply.
- Allow sufficient charging time (see Product Specifications), and then disconnect the charger from the power supply.
- Press the release button on the battery pack and remove it from the charger.

NOTE: It is normal for the battery pack and charger to become warm (but not hot) during charging process. If the battery does not charge properly, check to make sure the electrical outlet is operational. Always charge the battery before storage!

OPERATION

INTENDED USE

This trimmer is intended for cutting weeds, grass or similar soft vegetation. It is also useful for cutting hard to reach areas such as under bushes or on slopes. It may also be used to edge sidewalks and walkways. Do not use the trimmer to cut unusually thick or wet grass, pasture grass or to shred leaves. This product is intended solely for private domestic use, and not for commercial trade use. It must not be used for any purposes other than those described in this manual.

START / STOP OPERATION

See Figure 6, page ii

- With one hand grasp auxiliary handle and hold trimmer above ground.
- With thumb of other hand push and hold safety switch to the right, and then depress the trigger with fingers to start the trimmer. The safety switch will remain to the right as long as trigger is depressed.
- The further in the trigger is pressed, the faster the trimmer head will spin.
- Release the trigger to stop the trimmer. The safety switch will return to the left.

CUTTING DEVICE - ADVANCING THE TRIMMER LINE

See Figure 5a, page ii

In order to advance the trimmer line, firmly tap the bump cap on the trimmer head while the trimmer is running. This will automatically advance a new length of trimmer line and trim the line to the correct length. A firm but gentle motion should be used when tapping the bump cap on the lawn. This advancing process may be repeated as often as necessary. To prevent damage to the bump cap, never try to advance the line on a hard surface such as a sidewalk or driveway. If the line fails to advance, the area between the spool cover and bump cap may be clogged. Push in on sides of spool cover to remove it from trimmer head. Clean out debris from spool cover and spool. Insert the spool cover back into trimmer head.

SAFETY GUARD

- The safety guard protects the operator against thrown objects during operation.
- The safety guard is equipped with a trimmer line cut-off blade (16) that cuts excess trimming line. See Figure 7, page iii

CAUTION: The blade comes with a tape covering. Do not remove the tape. The blade will still function as intended, and the tape will wear off with use.

PIVOTING HEAD

See Figures 7-10, page iii

- Push the pivot button (10) to adjust the head to one of three different angles of operation, 90°, 135° or 180°.
- Adjust angle to 135° when trimming grass on flat ground. Adjust to 90° or 180° when trimming near edges and walls (Fig. 8-10).

EDGING

See Figures 11-13, page iii

- The lower shaft can be rotated to position the trimmer head in the optimum position for edging sidewalks and walkways.
- Pull and hold the lower shaft back from the shaft collar. Rotate the shaft to position the trimmer head at either the 45° angle or the 90° angle depending on the intended operation. Release the shaft to go back into the collar to lock into place.

FLOWER GUARD

See Figure 19, page iv

The flower guard provides a visual indicator of the maximum reach of the trimming line. When the flower guard is swung down, it can be used as a distance guide for use around plants, poles and fence posts.

OPERATION



WARNING! Adjust the Flower Guard position only when the product is switched off and the cutting device is at a complete stop!

GENERAL OPERATION

- Check the trimmer, its battery pack and charger as well as accessories for damage before each use. Do not use the trimmer if it is damaged or shows wear.
- Double check that accessories and trimming blades are properly installed.
- Always operate the trimmer with hands on both handles. Keep the handles dry so that hands do not slip off.
- Ensure that the air vents are always unobstructed and clear. Clean them if necessary with a soft brush. Blocked air vents may lead to overheating and damage the product.
- Release the trigger immediately to stop the trimmer if you are disturbed by other people entering the working area. Always let the trimmer head come to a complete stop before setting the trimmer down.
- Do not overwork. Take regular breaks to ensure you can concentrate on the work and have full control over the trimmer.

OPERATION

TRIMMING

See Figures 20-25, page v

- Do not cut wet grass because it tends to stick to the trimmer head and guard, prevents proper discharge of grass clippings, and could cause you to slip and fall.

- Wait until the trimmer head has come to a complete stop before placing it down.

- Regularly remove clippings and dirt around the trimmer head with the battery removed from the product.

- Pay attention when performing work close to trees and bushes. The cutting line can damage sensitive bark, and damage fence posts.

- When operating trimmer stand firmly with your feet apart. Cut from right to left so that trimmings will be thrown away from the grass being cut and also toward the wider expanse of the safety guard on the right side of the trimmer head.

- Do not swing the trimmer across the cutting path too quickly as doing so will result in ineffective cutting and possible trimmer damage.

- Cut high grass in successive layers from top to bottom (Fig. 21-22).

- Keep the trimmer head at an angle of about 30° to the ground when trimming. Avoid pressing it against the ground unless advancing the line (Fig. 23).

NOTE: Allow the cutting head to do the work. Let it cut at its own pace, and never force it into the area to be cut.

- Carefully maneuver the cutting head around objects, such as trees and bushes, ensuring it does not come into contact with them. Use the Flower Guard to ensure that the cutting line does not come into contact with plants you do not wish to be damaged.

- Adjust the position angle of the trimmer head on the lower shaft when using the trimmer for edging purposes.

- Use the Flower Guard to avoid bringing the cutting line into contact with hard objects such as walls and curbs (Fig. 25).

AFTER USE

- Release the trigger to stop the trimmer. Let the trimmer head come to a complete stop before setting the trimmer down. Remove battery pack from trimmer and allow both to cool down.

- Check, clean and store the trimmer as described below.

GENERAL CLEANING

- Clean the trimmer with a dry cloth. Use a brush for areas that are hard to reach.

- In particular clean the air vents (11) after every use with a cloth and brush.

- Remove stubborn dust with compressed air (maximum pressure: 3 bar).

NOTE: Do not use chemical, alkaline, abrasive or other aggressive detergents or disinfectants to clean this trimmer or battery pack as permanent surface damage will occur.

- Regularly check trimmer for worn or damaged parts. Do not use trimmer if parts are worn or damaged. Replace with new parts if available, or take trimmer to a qualified service dealer for inspection and possible repair.

SAFETY GUARD

- Remove all trimmings adhering to underside of guard.

CAUTION: When cleaning guard, be careful not to allow fingers to come in contact with line cutting blade.

- Replace the guard with the identical replacement part when it is worn or shows damage.

CHARGER

- If the charger power cord is damaged, do not use charger again. Purchase a new charger. See Replacement Parts listing in this manual for purchase details.

CARE AND MAINTENANCE

LINE REPLACEMENT

See Figures 14-18a, page iv

Use only 0.080 in. (2 mm) diameter round monofilament line to rewind spool.

- Remove the battery pack.

To remove spool:

Push in on sides of spool cover to remove it from trimmer head. Remove spool from trimmer head. If spool spring falls out of spool, be sure to reinsert it into spool before putting replacing spool into head.

- Remove any old line remaining on the spool. Check spool and spool cover for wear or damage. If necessary, replace worn spool cover or spool.

To rewind spool:

- Measure out an 18 feet length of new cutting line.
- Fold the line in half and then adjust it so that one end is approximately 3.5 in. (9 cm) longer than the other.
- Hook the fold in the middle of the line into either of the slots in the middle partition of the spool (Fig. 16).
- Simultaneously wind each length of line onto one of the spool halves. Wind line in the direction indicated on the top of the spool.
- When there is about 6 inches left on each line, insert the line into one of the two anchor slots on that half of the spool. The anchor slots will keep the line wound and in place for insertion of the spool into the head.

To install spool:

- Install the spool back into the trimmer head. Be sure that the spring is in the spool before inserting the spool back into the trimmer head.
- Direct each line through one of the eyelets in the head.
- Push in on sides of spool cover and reinsert it into the the head. The triangle points on each side of the cover will meet with the eyelets on each side of the head to secure the cutting line in place.

- Tug on the tip of each line to free the line from the anchor slot in the installed spool.

PRE-WOUND SPOOL INSTALLATION


You may purchase a pre-wound spool of cutting line, model #71.98832, for installation into the trimmer head.


To install pre-wound spool:

- Remove the battery pack.
- Remove the old spool from the trimmer head. See spool removal instructions in LINE REPLACEMENT.
- Install new pre-wound spool into trimmer head. See spool installation instructions in LINE REPLACEMENT.

ENVIRONMENTALLY SAFE BATTERY DISPOSAL

The following toxic and corrosive materials are in the batteries used in this battery pack:
Lithium-Ion, a toxic material.

 **WARNING!** All toxic materials must be disposed of in a specified manner to prevent contamination of the environment. Before disposing of damaged or worn out Lithium-Ion battery packs, contact your local waste disposal agency, or the local Environmental Protection Agency for information and specific instructions.

 **WARNING!** If the battery pack cracks or breaks, with or without leaks, do not recharge it and do not use it. Dispose of it and replace with a new battery pack.
DO NOT ATTEMPT TO REPAIR IT!

To avoid injury and risk of fire, explosion, or electric shock, and to avoid damage to the environment:

- Cover the battery terminals with heavy-duty adhesive tape.
- DO NOT attempt to remove or destroy any of the battery pack components.
- DO NOT attempt to open the battery pack.
- If a leak develops, the released electrolytes are corrosive and toxic. DO NOT get the solution in the eyes or on skin, and do not swallow it.
- DO NOT place these batteries in your regular household trash.
- DO NOT incinerate.
- DO NOT place batteries where they will become part of any waste landfill or municipal solid waste stream.
- Take batteries to a certified recycling or disposal center.

TROUBLESHOOTING

WARNING!

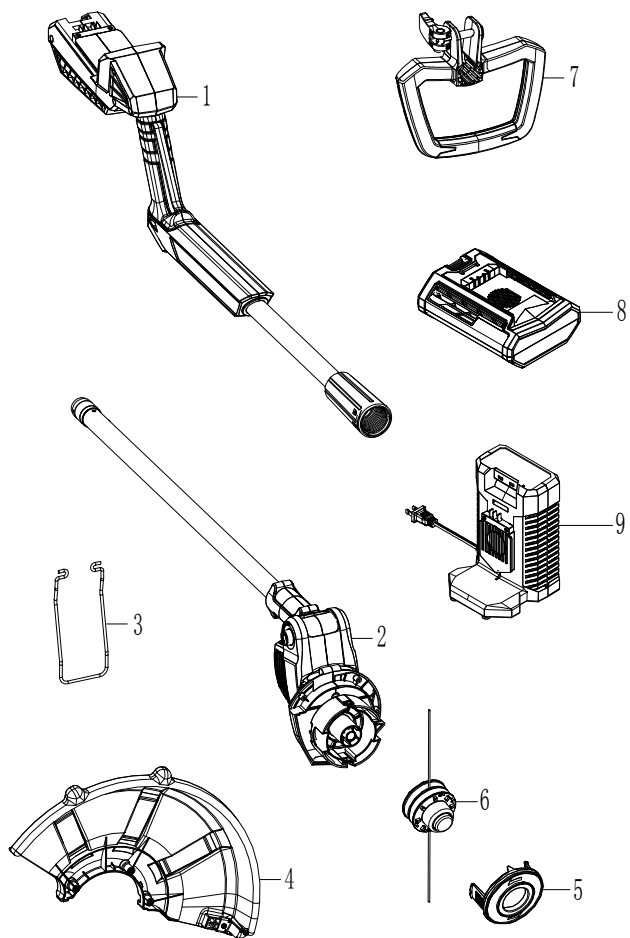
Only perform the steps described within these instructions! All further inspection, maintenance and repair work must be performed by a qualified service technician if you cannot solve the problem yourself!

Problem	Possible Cause	Solution
Product does not start	<ul style="list-style-type: none">■ Battery pack not properly attached■ Battery pack discharged■ Battery pack damaged■ Other electrical defect to the product	<ul style="list-style-type: none">■ Attach properly■ Remove and charge battery pack■ Have product checked by a qualified technician.■ Have product checked by a qualified technician.
Product does not reach full power	<ul style="list-style-type: none">■ Battery pack capacity too low■ Air vents are blocked	<ul style="list-style-type: none">■ Charge battery pack■ Clean the air vents

**CRAFTSMAN 60V MAX* LITHIUM-ION CORDLESS LINE TRIMMER –
MODEL NUMBER 151.98837**

The model number will be found on a label attached to the motor housing.

TO PURCHASE REPLACEMENT PARTS, CALL 1-888-331-4569



**CRAFTSMAN 60V MAX* LITHIUM-ION CORDLESS LINE TRIMMER –
MODEL NUMBER 151.98837**

The model number will be found on a label attached to the motor housing.

TO PURCHASE REPLACEMENT PARTS, CALL 1-888-331-4569

Key Number	Drawing Number	Description	Quantity
1	221025101	Upper Shaft Assembly	1
2	221025102	Lower Shaft Assembly	1
3	121058103	Flower Guard	1
4	121058104	Debris Guard	1
5	221025104	Spool Cover	1
6	71.98832**	Spool Assembly (71.98832)	1
7	261009109	Aux Handle Assembly	1
8	151.98833**	60V 2.0Ah Battery	1
9	60LFC01-ETL	60V OPP Charger	1

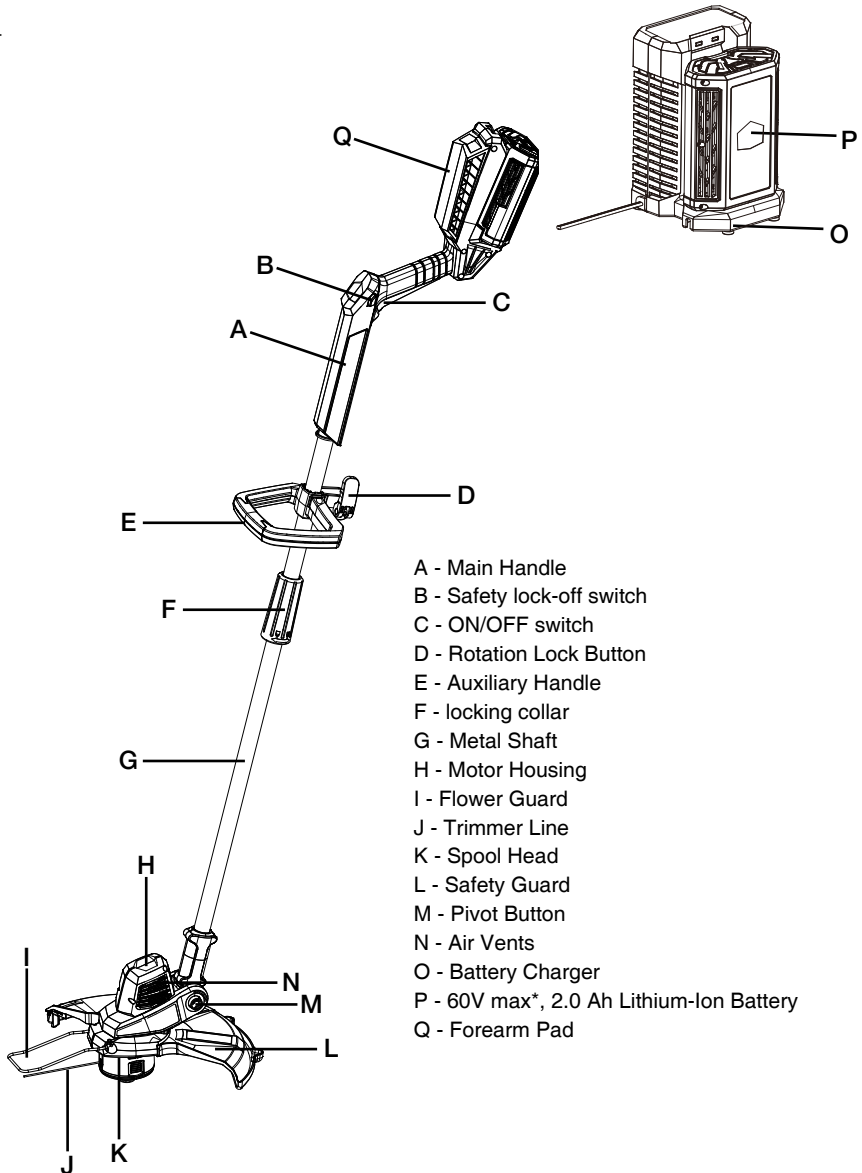
NOTE: Only the parts highlighted in gray are available for purchase.
Call 1-888-331-4569 to order.

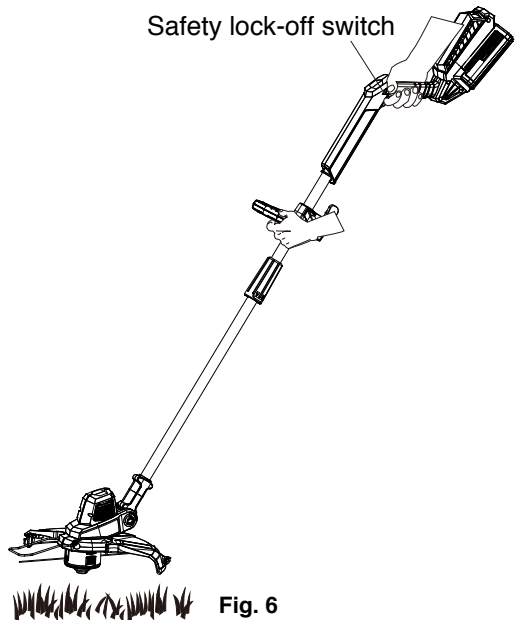
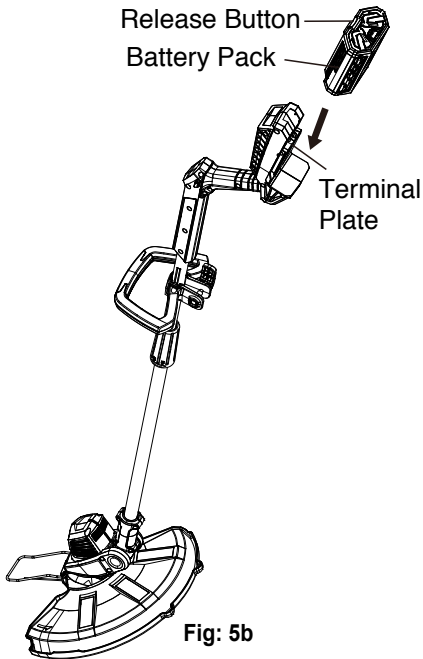
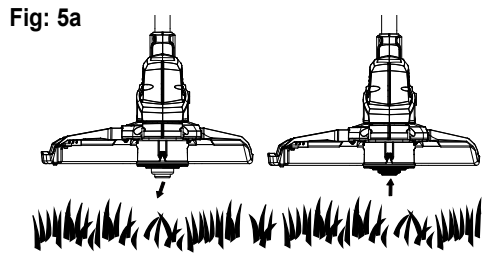
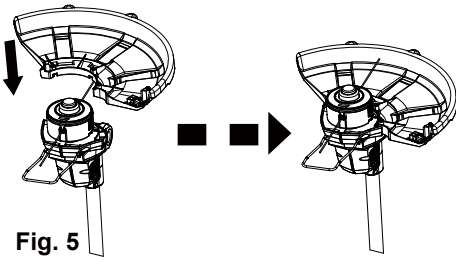
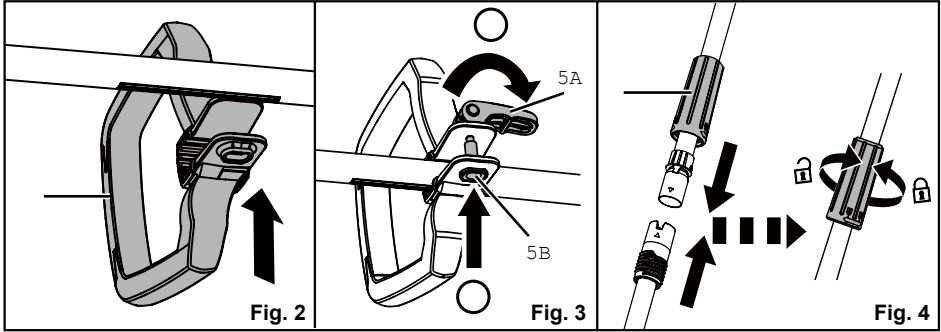
**Part available at your nearest Sears location and www.Sears.com.

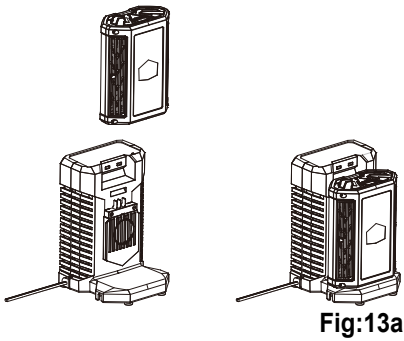
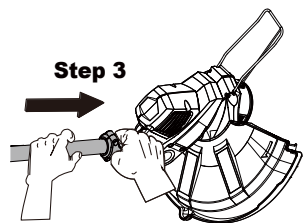
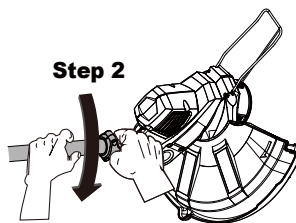
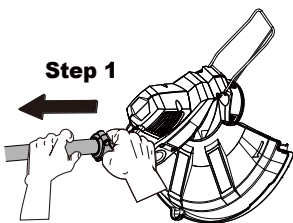
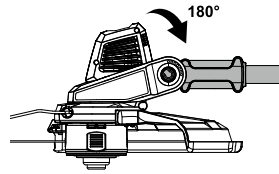
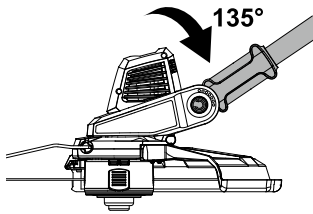
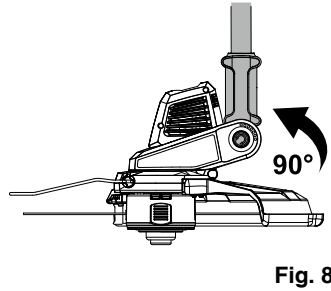
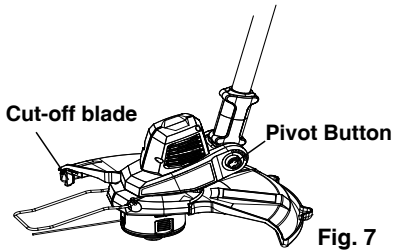
See this section for all of the figures referenced in the operator's manual.

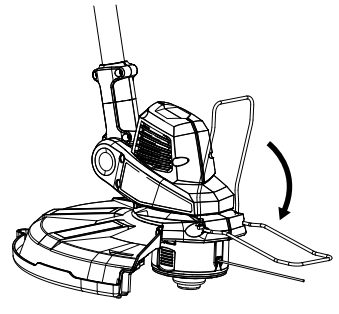
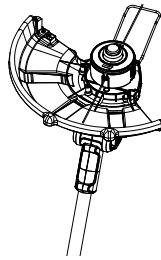
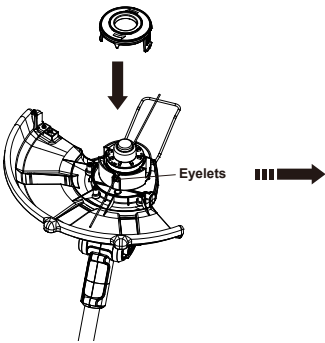
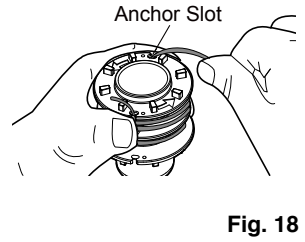
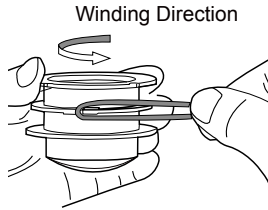
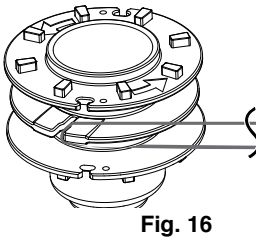
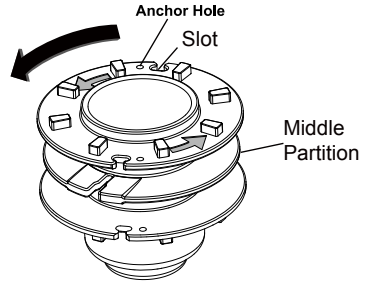
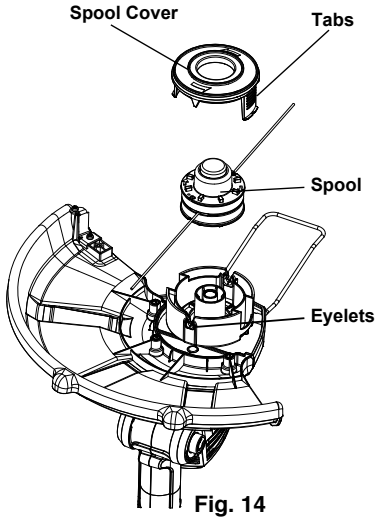
Consulte esta sección para ver todas las figuras mencionadas en el manual del usuario.

Fig. 1









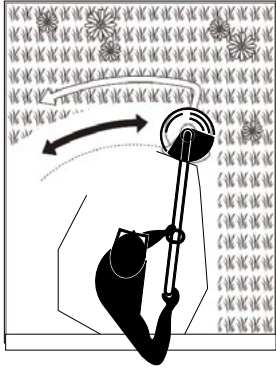


Fig. 20

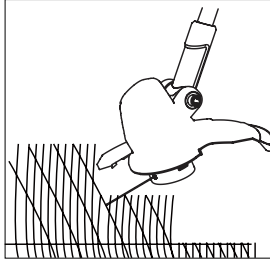


Fig. 21

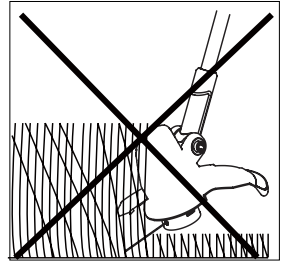


Fig. 22

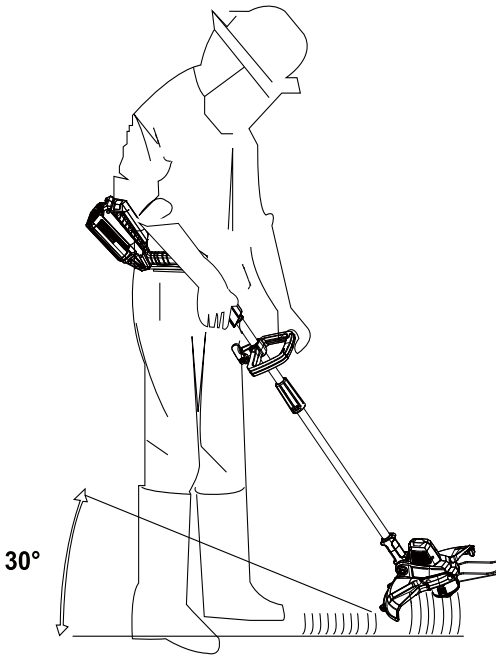


Fig. 23

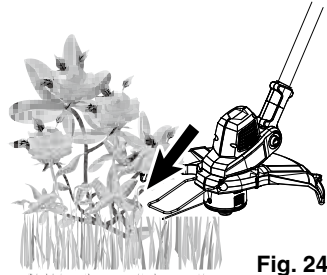


Fig. 24

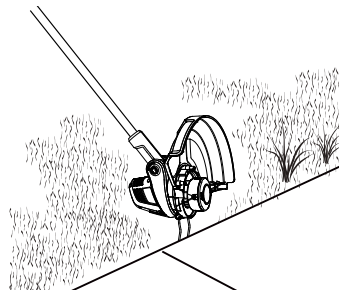


Fig. 25

CRAFTSMAN®

Product questions or problems?

1-888-331-4569

Customer Care Hot Line

**Get answers to questions, troubleshoot problems,
order parts, or schedule repair service.**

Para respuestas a preguntas o problemas, y ordenar
piezas o pedir servicio para la reparación de su equipo.

To help us help you, register your product at www.craftsman.com/registration

Para poderte ayudar mejor, registra tu producto en www.craftsman.com/registration

Join the Craftsman Club today!

CRAFTSMAN® CLUB

www.craftsman.com/signup

**Receive exclusive member benefits including special pricing and offers,
project sharing, expert advice, and SHOP YOUR WAY REWARDS!**

Como miembro exclusivo, recibe diversos beneficios como ofertas, precios especiales, proyectos nuevos, consejos de expertos y nuestro programa de puntos SHOP YOUR WAY REWARDS!