



Direct Air Convection Built-In Electric WALL OVEN

SAFETY INFORMATION3

USING THE OVEN

Oven Controls.....6

Special Features.....7

Sabbath.....8

Upper Oven Doors.....9

Oven Racks.....9

Aluminum Foil and Oven Liners.....10

Cooking Modes.....11

Probe.....12

Cookware.....12

Cooking Guide.....13

CARE AND CLEANING

Oven.....14

Oven Racks.....15

Probe.....15

Oven Light.....16

Oven Doors.....16

TROUBLESHOOTING TIPS.....18

WARRANTY.....22

ACCESSORIES.....23

CONSUMER SUPPORT.....24

OWNER'S MANUAL

CT9570
30" French Door
Double Wall Oven

Write the model and serial numbers here:

Model # _____

Serial # _____

You can find them on a label on the side trim or on the front of the (lower) oven behind the oven door.

ESPAÑOL

Para consultar una version en español de este manual de instrucciones, visite nuestro sitio de internet GEAppliances.com.

THANK YOU FOR MAKING GE APPLIANCES A PART OF YOUR HOME.

Whether you grew up with GE Appliances, or this is your first, we're happy to have you in the family.

We take pride in the craftsmanship, innovation and design that goes into every GE Appliances product, and we think you will too. Among other things, registration of your appliance ensures that we can deliver important product information and warranty details when you need them.

Register your GE appliance now online. Helpful websites and phone numbers are available in the Consumer Support section of this Owner's Manual. You may also mail in the pre-printed registration card included in the packing material.



IMPORTANT SAFETY INFORMATION

READ ALL INSTRUCTIONS BEFORE USING THE APPLIANCE

▲WARNING Read all safety instructions before using the product. Failure to follow these instructions may result in fire, electrical shock, serious injury or death.

▲WARNING GENERAL SAFETY INSTRUCTIONS

- Use this appliance only for its intended purpose as described in this Owner's Manual.
- Be sure your appliance is properly installed and grounded by a qualified installer in accordance with the provided installation instructions.
- Do not attempt to repair or replace any part of your oven unless it is specifically recommended in this manual. All other servicing should be performed by a qualified technician.
- Before performing any service, disconnect the power supply at the household distribution panel by removing the fuse or switching off the circuit breaker.
- Do not leave children alone—children should not be left alone or unattended in an area where an appliance is in use. They should never be allowed to climb, sit or stand on any part of the appliance.
- **▲CAUTION** Do not store items of interest to children in cabinets above an oven - children climbing on the oven to reach items could be seriously injured.
- Use only dry pot holders—moist or damp pot holders on hot surfaces may result in burns from steam. Do not let pot holders touch hot heating elements. Do not use a towel or other bulky cloth in place of pot holders.
- Never use your appliance for warming or heating the room.
- Do not touch the heating elements or the interior surface of the oven. These surfaces may be hot enough to burn even though they are dark in color. During and after use, do not touch, or let clothing or other flammable materials contact any interior area of the oven; allow sufficient time for cooling first. Other surfaces of the appliance may become hot enough to cause burns. Potentially hot surfaces include the oven vent opening, surfaces near the opening and crevices around the oven door.
- Do not heat unopened food containers. Pressure could build up and the container could burst, causing an injury.
- Do not use any type of foil or liner to cover the oven bottom or anywhere in the oven, except as described in this manual. Oven liners can trap heat or melt, resulting in damage to the product and risk of shock, smoke or fire.
- Avoid scratching or impacting glass doors or control panels. Doing so may lead to glass breakage. Do not cook on a product with broken glass. Shock, fire or cuts may occur.
- Cook meat and poultry thoroughly—meat to at least an internal temperature of 160°F and poultry to at least an internal temperature of 180°F. Cooking to these temperatures usually protects against foodborne illness.

▲WARNING KEEP FLAMMABLE MATERIALS AWAY FROM THE OVEN

Failure to do so may result in fire or personal injury.

- Do not store or use flammable materials in or near an oven, including paper, plastic, pot holders, linens, wall coverings, curtains, drapes and gasoline or other flammable vapors and liquids.
- Never wear loose-fitting or hanging garments while using the appliance. These garments may ignite if they contact hot surfaces, causing severe burns.
- Do not let cooking grease or other flammable materials accumulate in or near the oven. Grease in the oven or near the oven may ignite.

READ AND SAVE THESE INSTRUCTIONS

IMPORTANT SAFETY INFORMATION

READ ALL INSTRUCTIONS BEFORE USING THE APPLIANCE

▲WARNING IN THE EVENT OF A FIRE, TAKE THE FOLLOWING STEPS TO PREVENT INJURY AND FIRE SPREADING

- Do not use water on grease fires. Never pick up a flaming pan.
- If there is a fire in the oven during baking, smother the fire by closing the oven door and turning the oven off or by using a multi-purpose dry chemical or foam-type fire extinguisher.
- If there is a fire in the oven during self-clean, turn the oven off and wait for the fire to go out. Do not force the door open. Introduction of fresh air at self-clean temperatures may lead to a burst of flame from the oven.

▲WARNING OVEN SAFETY INSTRUCTIONS

- Stand away from the oven when opening the oven door. Hot air or steam which escapes can cause burns to hands, face and/or eyes.
- Keep the oven vent unobstructed.
- Keep the oven free from grease buildup. Grease in the oven may ignite.
- Place oven racks in desired location while oven is cool. If rack must be moved while oven is hot, do not let pot holder contact hot heating element in oven.
- When using cooking or roasting bags in the oven, follow the manufacturer's directions.
- Pulling out the standard racks to their stop-locks or the extension rack to its fully open position is a convenience in lifting heavy foods. It is also a precaution against burns from touching hot surfaces of the door or oven walls.
- Do not leave items such as paper, cooking utensils or food in the oven when not in use. Items stored in an oven can ignite.
- Never place cooking utensils, pizza or baking stones, or any type of foil or liner on the oven floor. These items can trap heat or melt, resulting in damage to the product and risk of shock, smoke or fire.

▲WARNING SELF-CLEANING OVEN SAFETY INSTRUCTIONS

The self-cleaning feature operates the oven at temperatures high enough to burn away food soils in the oven. Follow these instructions for safe operation.

- Do not touch oven surfaces during self-clean operation. Keep children away from the oven during self-cleaning. Failure to follow these instructions may cause burns.
- Before self-cleaning the oven, remove shiny silver colored oven racks (on some models), the probe, any aluminum foil, and any broiler pan, grid, and other cookware. Only porcelain coated oven racks may be left in the oven.
- Before operating the self-clean cycle, wipe grease and food soils from the oven. Excessive amount of grease may ignite, leading to smoke damage to your home.
- If the self-cleaning mode malfunctions, turn the oven off and disconnect the power supply. Have it serviced by a qualified technician.
- Do not clean the door gasket. The door gasket is essential for a good seal. Care should be taken not to rub, damage or move the gasket.
- Do not use oven cleaners. No commercial oven cleaner or oven liner protective coating of any kind should be used in or around any part of the oven.

READ AND SAVE THESE INSTRUCTIONS

IMPORTANT SAFETY INFORMATION

READ ALL INSTRUCTIONS BEFORE USING THE APPLIANCE

STATE OF CALIFORNIA PROPOSITION 65 WARNINGS

⚠ WARNING

This product contains one or more chemicals known to the State of California to cause cancer, birth defects or other reproductive harm.

Self-clean electric ovens: Self clean ovens can cause low level exposure to some of the Proposition 65 substances, including carbon monoxide, during the cleaning cycle. Exposure to these substances can be minimized by opening a window or using a ventilation fan or hood.

The remote enable equipment installed on this oven has been tested and found to comply with the limits for a Class B digital device, pursuant to part 15 of the FCC Rules. These limits are designed to:

(a) provide reasonable protection against harmful interference in a residential installation. This equipment generates, uses and can radiate radio frequency energy and, if not installed and used in accordance with the instructions, may cause harmful interference to radio communications. However, there is no guarantee that interference will not occur in a particular installation. If this equipment does cause harmful interference to radio or television reception, which can be determined by turning the equipment off and on, the user is encouraged to try to correct the interference by one or more of the following measures:

- Reorient or relocate the receiving antenna.
- Increase the separation between the equipment and receiver.
- Connect the equipment into an outlet on a circuit different from that to which the receiver is connected.
- Consult the dealer or an experienced radio/TV technician for help.

(b) accept any interference received, including interference that may cause undesired operation of the device.

Note that any changes or modifications to the wireless communication device installed on this oven that are not expressly approved by the manufacturer could void the user's authority to operate the equipment.

How to Remove Protective Shipping Film and Packaging Tape

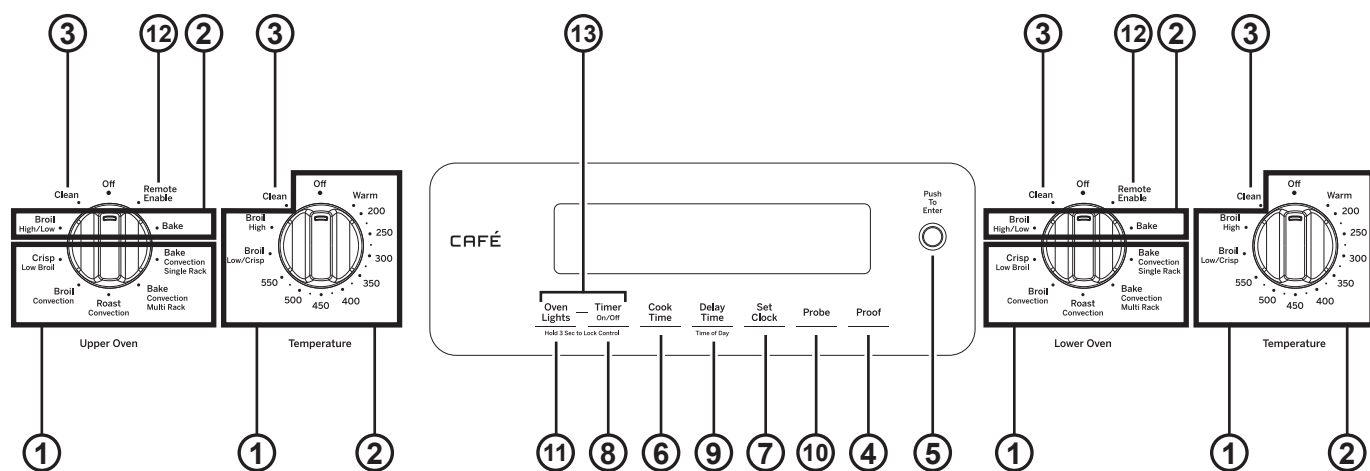
Carefully grasp a corner of the protective shipping film with your fingers and slowly peel it from the appliance surface. Do not use any sharp items to remove the film. Remove all of the film before using the appliance for the first time.

To assure no damage is done to the finish of the product, the safest way to remove the adhesive from packaging tape on new appliances is an application of a household liquid dishwashing detergent. Apply with a soft cloth and allow to soak.

NOTE: The adhesive must be removed from all parts. It cannot be removed if it is baked on.

READ AND SAVE THESE INSTRUCTIONS

Oven Controls



- 1. Convection Cooking Modes:** Convection cooking modes use increased air circulation to improve performance. The type of benefit depends on the mode. Your oven has the following convection cooking modes: Bake 1 Rack, Bake Multi, Broil, Roast and Low Broil Crisp. Select the cooking mode and then set the temperature to start cooking. See the Cooking Modes section for more information.
- 2. Traditional Cooking Modes:** Your oven has the following traditional cooking modes: Bake and High/Low Broil. Select the cooking mode and then set the temperature to start cooking. See the Cooking Modes section for more information.
- 3. Clean:** Your oven has two cleaning modes: Self Clean and Steam Clean. See the Cleaning the Oven section for important information about using these modes.
- 4. Proof:** Use this feature to assist with rising bread doughs. See the Cooking Modes section for more information.
- 5. Mini Knob:** Rotate this knob to increase or decrease time setting and then press the knob to confirm the setting when using Set Clock, Cook Time, Delay Time, and Timer. Rotate this knob to increase or decrease self Self-Clean time and press the knob to confirm the setting or press the knob to toggle between self-clean and steam clean. Rotate the knob to increase or decrease the temperature setting and press the knob to confirm the setting when using the probe feature. This knob is used for both the upper and lower ovens.
- 6. Cook Time:** Counts down cooking time and turns off the oven when the cooking time is complete. Press the **Cook Time** pad once for the upper oven and a second time for the lower oven, rotate the mini knob to **program a cooking time in hours and minutes**, then press the mini knob to set the cook time. This feature can only be used with Traditional Bake, Convection Bake 1 Rack, Convection Bake Multi, and Convection Roast.
- 7. Set Clock:** Sets the oven clock time. Press the **Set Clock** pad and rotate the mini knob to program the clock. Press the mini knob to set the time and then rotate the mini knob to select **AM** or **PM**. Press the mini knob to save the time.
- 8. Timer:** Works as a countdown timer. Press the **Timer** pad once to set the first timer and again to set the second timer. Rotate the mini knob to **program the time in hours and minutes**, then press the mini knob to start the timer. The oven will continue to operate when the timer countdown is complete. To turn the timer off press the **Timer** pad and rotate the mini knob till the timer reads 0:00 then press the mini knob to clear the timer.
- 9. Delay Time:** Delays when the oven will turn on. Use this to set a time when you want the oven to start. Press the **Delay**

Time pad once for the upper oven and a second time for the lower oven. Then rotate the mini knob to program the time of day for the oven to turn on. Press the mini knob to set the start time and then rotate the mini knob to select AM or PM. Press the mini knob to save the time. Set the desired cooking mode and temperature. A cook time may also be programmed if desired. This can only be used with Traditional Bake, Convection Bake 1 Rack, Convection Bake Multi, Convection Roast and Self-Clean.

NOTE: When using the delay time feature, foods that spoil easily—such as milk, eggs, fish, stuffings, poultry and pork—should not be allowed to sit for more than 1 hour before or after cooking. Room temperature promotes the growth of harmful bacteria. Be sure that the oven light is off because heat from the bulb will speed harmful bacteria growth.

- 10. Probe:** Monitors internal food temperature and turns the oven off when the food reaches the programmed temperature. Insert the probe, program the cooking mode, and program the probe temperature. See the Cooking Modes section for more information. The probe can only be used with Traditional Bake, Convection Bake 1 Rack, and Convection Roast. This feature is available for both the upper and lower ovens.
- 11. Oven Light(s):** Turns the oven light(s) on or off.
- 12. Remote Enable (on some models):** **CONNECTING YOUR OVEN**

Off - Oven is not connected. Open the app then select **Remote Enable** to begin the connecting process.

Slow flash - Oven is in discovery mode and looking for a network.

Rapid flash - An error occurred during the connecting process.

Solid - Oven is connected to the network and can be remotely controlled by a connected mobile device when in operation, but it cannot be started remotely.

REMOTE STARTING YOUR OVEN

To be able to start the oven remotely, select **Remote Enable** and the **REMOTE** icon will turn on in the display. The oven can now be remotely started with a connected device. Opening an oven door or turning off the oven will turn off the **REMOTE** icon. The **REMOTE** icon must be lit to start the oven remotely. The **REMOTE** icon is not required to change the oven settings or to turn the oven off.

After using the oven, remember to verify that the **REMOTE** icon is lit if you wish to start the oven remotely in the future.

- 13. Lock Controls:** Locks out the control so that pressing the pads does not activate the controls. Press and hold the **Oven Lights** and **Timer** pads at the same time for three seconds to lock or unlock the control.

Special Features

There are numerous special features that are controlled using the mini knob.

- End tone - Cycle End Tone
- Sound - Tone Volume
- Setting - Clock Setting
- Auto Recipe - Auto Recipe Conversion (for Convection Baking)
- 12hr shutoff - 12 Hour Shutoff
- Sabbath - Sabbath mode
- Temp Offset - Adjust the oven temperature (Double ovens have upper and lower options)
- Display Sleep - Energy saving mode
- Door Alert - Door Open Alert
- Default - Reset control to factory settings

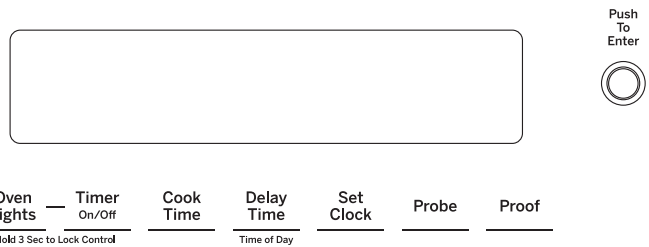
To change the Special Features settings follows these guidelines.

Press and hold the **Cook Time** and **Delay Time** pads for 3 seconds simultaneously.

Press and hold the **Cook Time** and **Delay Time** pads for 3 seconds simultaneously to exit the special feature mode. Also, if no selection is made within 30 seconds, the control will automatically exit special features mode.

When you enter the special features mode:

- Rotate the mini knob to scroll thru the available features and to change special feature settings.
- Press the mini knob to select the special feature to change. This places the feature into edit mode, allowing the feature to be changed by rotating the mini knob.
- Press the mini knob to enter the selection and to move back up a level.



Example: Adjusting the Oven Temperature

1. Press and hold the **Cook Time** and **Delay Time** pads for 3 seconds simultaneously to enter special features mode.
2. Turn the mini knob until the display reads "UPPER tE-P OFFSEt".
3. Press the mini knob to see the current feature setting.
4. Turn the mini knob to either increase or decrease the temperature in one degree Fahrenheit increments up to + 35° F or down to -35° F.
5. Press the mini knob to save your desired change and to return to the other features.
6. Press and hold the **Cook Time** and **Delay Time** pads for 3 seconds simultaneously to exit the special feature mode.

Cycle End Tone (End tonE)

This is the tone that signals the end of a timer. You can change it to be one tone (bEEP) or a continuous repeating tone (Con).

Tone Volume (Sound)

This feature allows the oven tone volume to be adjusted between Hi, std (default), Lo and oFF.

Clock Setting (SEtting)

This feature specifies how the time of day will be displayed. Options are for a standard 12-hour clock with AM and PM selections (12h), 24-hour military time display (24h), or for no display (OFF).

Auto Recipe Conversion (Auto rEciPE)

When using Convection Bake or Convection Bake Multi cooking modes, Auto Recipe conversion will automatically reduce the programmed cooking temperature. Note that this option does not convert convection baking times, only temperatures.

12-hour Shutoff (12 hr ShutOFF)

When this feature is turned on, the oven will automatically turn off after 12 continuous hours of use.

Adjust the Oven Temperature (UPPER tE-P OFFSEt)

(Upper and Lower on some models)

This feature allows the oven temperature to be adjusted up to 35°F hotter or down to 35°F cooler. Use this feature if you believe your oven temperature is too hot or too cold and wish to change it. **For double oven models the upper and lower ovens are adjusted separately (UPPER tE-P OFFSET and Lo-Er tE-P OFFSEt).** This adjustment affects Traditional Bake, Convection Bake, and Convection Bake Multi Rack modes.

Special Features (Cont.)

Display Sleep (diSP SLEEP)

This feature turns off the display after 5 minutes of no use when turned on. This feature is designed as an energy saving mode.

Door Open Alert (door ALERt)

This feature alerts the user that a door is not closed all the way. Options include receiving the alert after 30 seconds (30s), 60 seconds (60s), and 90 seconds (90s) after the door was opened. Or the feature may be turned off (OFF).

Sabbath (SAbbAtH)

Sabbath mode disables the oven lights (the oven light will not turn on when a door is opened), all sounds (the control will not beep when a pad is pressed), Convection modes, Broil modes, Warm, Proof, and all time functions. Sabbath mode can only be used with Traditional Bake. This feature conforms to the Star-K Jewish Sabbath requirements.

NOTE: If a power outage occurs while in Sabbath Mode, the unit will return to Sabbath Mode when power is restored.

Enter the Sabbath Mode

Press the **Cook Time** and **Delay Time** pads at the same time and hold for three seconds. Use the mini knob to scroll thru the special features options to "SAbbAtH", then press the mini knob to select "SAbbAtH", rotate the mini knob to change the Sabbath feature setting from "OFF" to "on", and press the mini knob to confirm the selection.

Press the **Cook Time** and **Delay Time** pads at the same time and hold for three seconds to exit special features mode. The] icon will appear in the display to signify that the unit is in Sabbath Mode. The clock will not be displayed.

Start a Sabbath Bake

Rotate the knobs to select **Bake** and your desired cooking temperature. At a random time between 30 seconds and 1 minute, the] icon will appear in the display indicating the oven is running.

Adjust the Temperature During a Sabbath Bake

If you need to adjust the temperature, rotate the temperature knob to the new selection. No sound will be given when the keys are pressed. Since no feedback is given during temperature change, an oven thermometer can be used to confirm temperature changes.

Default (dEFault)

This feature resets all of the special features to the default settings originally on the oven.

Timed Bake During Sabbath

If you wish to use the Cook Time feature to bake in the oven and then have the oven automatically turn off, do not enter Sabbath mode. You will need to change the Cycle End Tone from a continuous beep to a single beep, turn the Tone Volume off, and turn the oven light on using the control panel. Then you can program the oven for the desired cook time in bake. Note that Cook Time will immediately start to count down after it is set.

Exit the Sabbath Mode

To end a bake cycle, turn both knobs to off. The] icon will change to the] icon, indicating that the oven has turned off.

Press the **Cook Time** and **Delay Time** pads at the same time and hold for three seconds. Use the mini knob to scroll thru the special features options to "SAbbAtH", then press the mini knob to select "SAbbAtH", rotate the mini knob to change the Sabbath feature setting from "on" to "OFF", and press the mini knob to confirm the selection.

Press the **Cook Time** and **Delay Time** pads for 3 seconds to exit special features mode. The clock will be displayed again indicating the oven is out of Sabbath Mode.

Upper Oven Doors

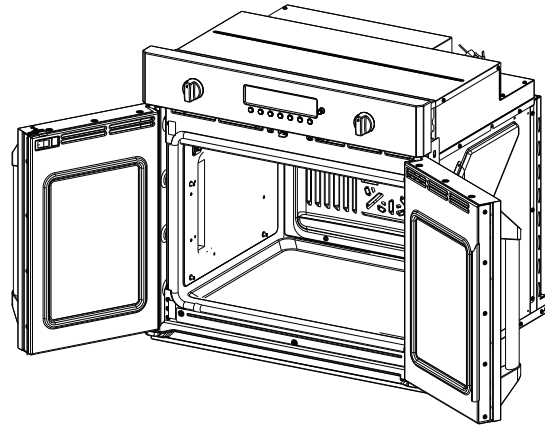
The upper oven doors on this double oven are unique. The doors open out to the side of the unit and they open together. Make sure that the area to each side of the oven is clear when opening the oven doors so that the doors can open fully and do not hit any open doors, open drawers, or other items to the side of the oven.

Pulling on one handle will make both doors open.

CAUTION Make sure that the doors are fully open to prevent burning self.

Pushing on one door will make both doors close. If pushing the doors closed with only one of the handles, please use the left handle. The center door seal requires the left door to close slightly before the right door.

Make sure oven doors are fully closed when cooking. If the doors are open or not shut all the way for more than 60 seconds during a cooking mode, the oven will turn off and the control will ask you to close the doors to resume cooking.



Oven Racks

Your oven has six rack positions. Recommended rack positions for various types of foods are provided in the Cooking Guide. Adjusting rack position is one way to impact cooking results. For example, if you would prefer darker tops on cakes, muffins, or cookies, try moving food one rack position higher. If you find foods are too brown on top try moving them down next time.

When baking with multiple pans and on multiple racks, ensure there is at least 1½" between pans to allow sufficient space for air to flow.

Oven Racks

Your oven may have extension racks and/or traditional flat racks.

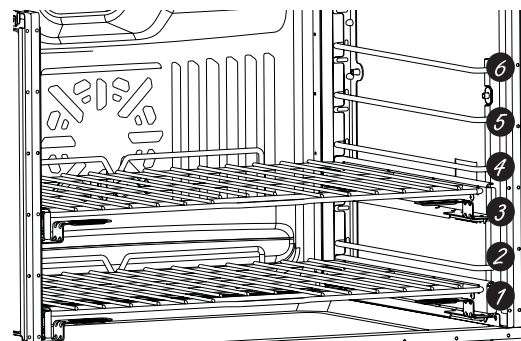
To avoid possible burns, place the racks in the desired position before you turn the oven on.

Extension Racks

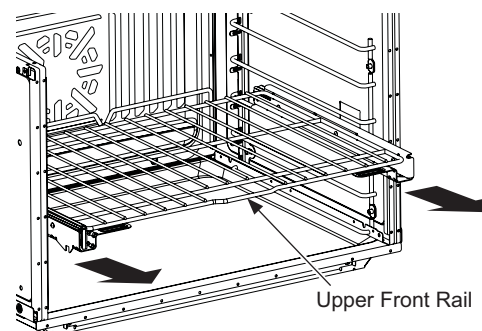
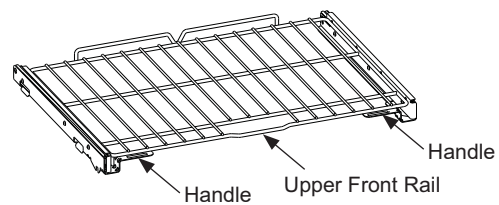
Extension racks have an install feature that locks into the rack supports (guides) on both sides. Once the install feature is locked into place, always pull the rack out, by its upper front rail, to its full extension stop position, when placing or removing cookware.

If extension racks are difficult to extend, lubricate the racks with the graphite lubricant provided with your oven. Remove the rack from the oven, remove debris in the slide tracks with a paper towel, shake the graphite lubricant and place 4 small drops on the two bottom tracks of the left and right sides. Open and close the rack several times to distribute the lubricant.

To order additional graphite lubricant, see the Accessories and Consumer Support sections at the end of this manual.



The oven has 6 rack positions



Oven Racks (Cont.)

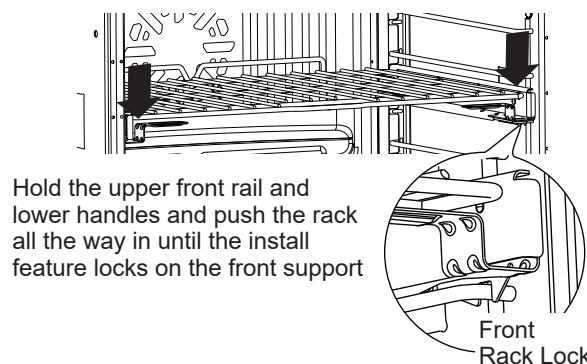
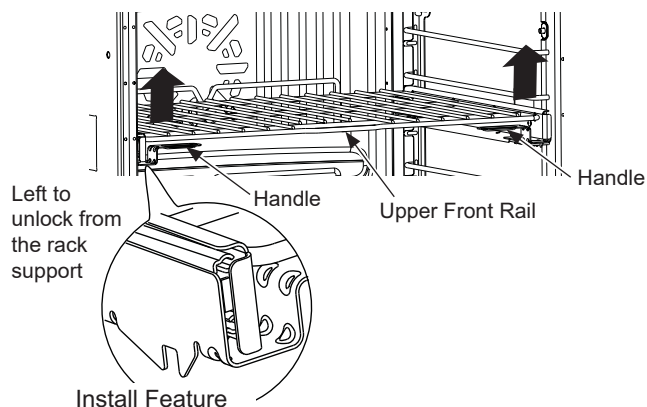
To Remove An Extension Rack

1. Make sure the rack is pushed all the way into the oven.
2. Grasp the rack by both its upper front rail and its lower handles on two sides and lift straight up to unlock the rack from the rack supports.
3. Firmly holding onto both the upper front rail and lower handles on both sides, pull the rack forward. Grasp the rack on both sides if necessary. Then remove it from the oven.

To Replace An Extension Rack

1. Place the rear portion of the rack onto the rack supports (guides) as shown in the picture.
2. Hold the upper front rail and lower handles and push the rack all the way in until the install feature locks into the front rack support.

If extension racks are difficult to replace or remove, wipe the oven rack supports with cooking oil. Do not wipe oil on the rack slides.



Traditional Flat Racks

The racks have stops so that when placed correctly on the supports they will stop before coming completely out and will not tilt. When placing and removing cookware, pull the rack out until it stops.

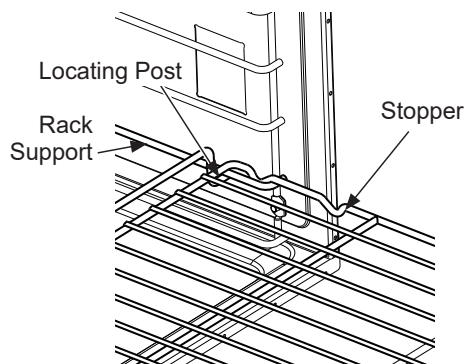
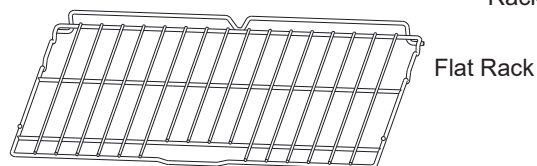
To Remove a Rack

Pull it toward you, tilt the front end up and pull it out.

To Replace a Rack

Tilt the front of the rack up, hook the rear locating posts under the rack supports, push the rack back (past the stoppers) and lower it into position. Push the rack all the way in.

If flat racks are difficult to slide and/or remove, place some cooking oil on a soft cloth or paper towel and rub onto the sides of the rack and each rack support.



⚠ CAUTION

Use caution when removing a rack from lowest position as door may be hot.

Aluminum Foil and Oven Liners

⚠ CAUTION

Do not use any type of foil or oven liner to cover the oven bottom. These items can trap heat or melt, resulting in damage to the product and risk of shock, smoke or fire. Damage from improper use of these items is not covered by the product warranty.

Foil may be used to catch spills by placing a sheet on a lower rack, several inches below the food. Do not use more foil than necessary and never entirely cover an oven rack with aluminum foil. Keep foil at least 1-1/2" from oven walls to prevent poor heat circulation.

Cooking Modes

Your new oven has a variety of cooking modes to help you get the best results. These modes are described below. Refer to the Cooking Guide section for recommendations for specific foods. Remember, your new oven may perform differently than the oven it is replacing.

Baking and Roasting Modes

Select a mode for baking and roasting based on the type and quantity of food you are preparing. When preparing baked goods such as cakes, cookies, and pastries always preheat the oven first. Follow recipe recommendations for food placement. If no guidelines are provided, center food in the oven.

Traditional Bake

The traditional bake mode is intended for single rack cooking. This mode uses heat primarily from the lower element but also from the upper element to cook food. To use this mode select **Bake** and then select a temperature. Preheating is generally recommended when using this mode.

Convection Bake with Direct Air

The Convection Bake mode is intended for single rack cooking. This mode uses heat from the lower element and also the upper and rear elements, along with air movement directly down from the top of the oven to enhance evenness. Your oven is equipped with Auto Recipe Conversion, so it is not necessary to convert the temperature when using this mode. To use this mode select **Conv Bake 1 Rack** and then select a temperature. Preheating is generally recommended when using this mode.

Convection Bake Multi Rack

The Convection Bake Multi Rack mode is intended for baking on multiple racks at the same time. This mode uses heat primarily from the rear element but also heat from the upper and lower elements, along with air movement from the convection fan to enhance cooking evenness. Your oven is equipped with Auto Recipe Conversion, so it is not necessary to convert the temperature when using this mode. Baking time might be slightly longer for multiple racks than what would be expected for a single rack. To use this mode select **Conv Bake Multi** and then select a temperature. Always preheat when using this mode.

Convection Roast with Direct Air

The Convection Roast mode is intended for roasting whole cuts of meat on a single rack. This mode uses heat from the lower, upper, and rear elements along with air movement directly down from the top of the oven to improve browning and reduce cooking time. It is not necessary to convert temperature. Check food earlier than the recipe suggested time when using this mode, or use the probe. To use this mode select **Convection Roast** and then select a temperature. It is not necessary to preheat when using this mode.

Broiling Modes

Always broil with the door closed. The broil element in this oven is very powerful. Monitor food closely while broiling. Use caution when broiling on upper rack positions as placing food closer to the broil element increases smoking, spattering, and the possibility of fats igniting. **Broiling on rack position 6 is not recommended.**

Try broiling foods that you would normally grill. Adjust rack positions to adjust the intensity of the heat to the food. Place foods closer to the broil element when a seared surface and

rare interior is desired. Thicker foods and foods that need to be cooked through should be broiled on a rack position farther from the broiler or by using Traditional Broil Lo or Convection Broil Lo. For best performance, center food below the broil heating element.

Traditional Broil Hi

The Traditional Broil Hi mode uses intense heat from the upper element to sear foods. Use Broil Hi for thinner cuts of meat and/or foods you prefer less done on the interior. To use this mode select **High/Low Broil** and then select **High Broil**. It is not necessary to preheat when using this mode.

Traditional Broil Lo

The Traditional Broil Lo mode uses less intense heat from the upper element to cook food thoroughly while also producing surface browning. Use Broil Lo for thicker cuts of meat and/or foods that you would like cooked all the way through. To use this mode select **High/Low Broil** and then select **Low Broil**. It is not necessary to preheat when using this mode.

Convection Broil Hi with Direct Air

The Convection Broil Hi mode uses intense heat from the upper element along with air movement directly down from the top of the oven for improved searing and browning. To use this mode select **Convection Broil** and then select **High Broil**. For best results preheat 5 minutes when using this mode.

Convection Broil Lo with Direct Air

The Convection Broil Lo mode uses less intense heat from the upper element along with air movement directly down from the top of the oven. To use this mode select **Convection Broil** and then select **Low Broil**. For best results preheat 5 minutes when using this mode.

Convection Broil Crisp with Direct Air

The Convection Broil Crisp mode is intended as a finishing mode at the end of a cooking cycle to add surface browning to a dish such as a casserole or a roast. To use this mode select **Low Broil Crisp** and then select **Low Broil**. Monitor food closely to prevent over browning.

Proof

Proof mode is designed for rising (fermenting and proofing) bread dough. Turn knob to bake and then press the **Proof** pad. Cover dough well to prevent drying out. Bread will rise more rapidly than at room temperature.

Warm

Warm mode is designed to keep hot foods hot for up to 3 hours. To use this mode, select **Bake** and then select **Warm**. Cover foods that need to remain moist and do not cover foods that should be crisp. Preheating is not required. Do not use warm to heat cold food other than crisping crackers, chips or dry cereal. It is also recommended that food not be kept warm for more than 2 hours.

Probe

▲ WARNING

Consuming undercooked food can result in foodborne illness. Use probe according to the following instructions to ensure all portions of the food reach minimum safe cooking temperatures. Recommendations for minimum safe food temperatures can be found at www.foodsafety.gov or www.IsItDoneYet.gov.

Internal food temperature is frequently used as an indicator of doneness, especially for roasts and poultry. The Probe mode monitors the internal food temperature and turns the oven off when the internal food temperature reaches the programmed temperature.

Always check the temperature at multiple locations in the food with a food thermometer after cooking to ensure that all portions of the food have reached the minimum safe internal temperature for that food.

Proper Probe Placement

After preparing the meat and placing it on the cooking pan follow these instructions for proper probe placement.

- Insert the probe into the food, so that the tip of the probe will rest in the center of the thickest part of the food. For best performance the probe should be fully inserted into the food. If the probe is not located properly, it may not accurately measure the temperature of the coolest portion of the food. Some foods, particularly small items, are not well suited for cooking with the probe due to their shape or size.
- The probe should not touch bone, fat or gristle.
- For whole poultry insert the probe into the thickest part of the breast.
- For boneless roasts, insert the probe into the center of the roast.
- For bone-in ham or lamb, insert the probe into the center of the lowest large muscle or joint.
- For casseroles or dishes such as meatloaf, insert the probe into the center of the dish.
- For fish, insert the probe from just above the gill into the meatiest area, parallel to the backbone.

Probe Usage

To use the probe without preheating:

1. Insert the probe into the food (see Proper Probe Placement).
2. Place the food in the oven and connect the probe into the probe outlet in the oven.
3. Program the desired probe and cooking mode settings by pressing the **Probe** pad and setting the desired internal food temperature by rotating the mini knob and pressing the mini knob to enter the temperature, then set the cook mode (**Traditional Bake, Convection Bake, or Convection Roast**) and the desired cooking temperature. The maximum internal food temperature that you can set is 200°F.

To use the probe with preheating:

1. Set the desired cook mode (**Traditional Bake, Convection Bake, or Convection Roast**) and the desired cooking temperature.
2. Insert the probe into the food (see Proper Probe Placement).
3. Once the oven is preheated, place the food in the oven and connect the probe to the probe outlet, making sure it is fully inserted. Use caution, the oven walls and probe outlet are hot.
4. Program the probe temperature by pressing the **Probe** pad and setting the desired internal food temperature by rotating the mini knob and pressing the mini knob to enter the temperature. The maximum internal food temperature that you can set is 200°F.

Probe Care Guidelines

- Use of probes other than the one provided with this product may result in damage to the probe.
- Use the handles of the probe and plug when inserting and removing them from the meat and outlet
- To avoid damaging your probe, do not use tongs to pull on the cable when removing it.
- To avoid breaking the probe, make sure food is completely defrosted before inserting the probe.
- To prevent possible burns, do not unplug the probe from the outlet until the oven has cooled.
- Never leave the probe inside the oven during a self or steam clean cycle.
- Do not store the probe in the oven.

Cookware

Cookware Guidelines

The material, finish, and size of cookware affect baking performance.

Dark, coated and dull pans absorb heat more readily than light, shiny pans. Pans that absorb heat more readily can result in a browner, crisper, and thicker crust. If using dark and coated cookware check food earlier than minimum cook time. If undesirable results are obtained with this type of cookware consider reducing oven temperature by 25° F next time.

Shiny pans can produce more evenly cooked baked goods such as cakes and cookies.

Glass and ceramic pans heat slowly but retain heat well. These types of pans work well for dishes such as pies and custards.

Air insulated pans heat slowly and can reduce bottom browning.

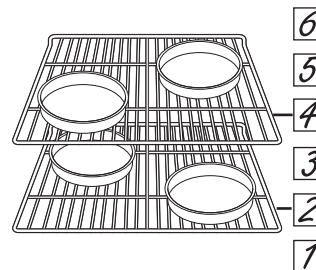
Keep cookware clean to promote even heating.

Cooking Guide

FOOD TYPE	RECOMMENDED MODE(S)	RECOMMENDED RACK POSITION(S)	ADDITIONAL SUGGESTIONS
Baked Goods			
Layer cakes, sheet cakes, bundt cakes, muffins, quick breads on a Single Rack	Convection Bake Traditional Bake	3	Use shiny cookware.
Layer cakes* on Multiple Racks	Convection Bake Multi Rack Traditional Bake	2 and 4	Ensure adequate airflow (see illustration below).
Chiffon cakes (angel food)	Convection Bake Traditional Bake	1	Extension rack position 4 and flat rack position 2 for 2 racks; flat rack position 5 for 3 racks. Use shiny cookware.
Cookies, biscuits, scones on a Single Rack	Convection Bake	3	Use shiny cookware.
Cookies, biscuits, scones on Multiple Racks	Convection Bake Multi Rack	2 and 4 1, 3 and 5	Extension rack position 4 and flat rack position 2 for 2 racks; flat rack position 5 for 3 racks. Ensure adequate airflow.
Beef & Pork			
Hamburgers	Traditional Broil Hi	5	Use extension rack; for patties spaced equally on broil pan grid to get a well seared exterior and a rare interior cook the first side approximately 3 minutes and cook the second side approximately 4 minutes. Move food down for more doneness/less searing. For best performance, center food below the broil heating element.
Steaks & Chops	Convection Broil Hi Traditional Broil Hi	5	Use a broil pan; Preheat 5 minutes if using Convection Broil Mode. Move food down for more doneness/less searing. Watch food closely when broiling. For best performance, center food below the broil heating element.
Roasts	Convection Roast	2 or 3	Use a low sided pan such as a broil pan. Preheating is not necessary. Use probe feature.
Poultry			
Whole chicken	Convection Roast	2 or 3	Use a low sided pan such as a broil pan. Use probe feature.
Bone-in chicken breasts, legs, thighs	Broil Hi	1	If breaded or coated in sauce avoid Broil Hi modes. Broil skin side down first. Watch food closely when broiling. For best performance when broiling, center food below the broil heating element.
	Broil Lo Convection Bake Traditional Bake	3	
Boneless chicken breasts	Convection Broil Lo Convection Bake Traditional Bake	3	Preheat 5 minutes if using Convection Broil. Move food down for more doneness/less searing and up for greater searing/browning when broiling. For best performance when broiling, center food below the broil heating element.
Whole turkey	Convection Roast	1 or 2	Use a low sided pan such as a broil pan. Use the probe feature.
Turkey Breast	Convection Roast	2 or 3	Use a low sided pan such as a broil pan. Use the probe feature.
Fish	Convection Broil Lo Broil Lo	5 (1/2 thick or less) 4 (>1/2 inch)	Preheat 5 minutes when Convection Broiling. Watch food closely when broiling. For best performance, center food below the broil heating element.
Casseroles	Convection Bake Traditional Bake	3	Use Convection Broil Crisp mode during last 2-5 minutes of baking to melt/brown cheese or crisp surface.
Frozen Convenience Foods			
Pizza, french fries, tator tots, chicken nuggets, appetizers on a Single Rack	Convection Bake Traditional Bake	3	Use Convection Broil Crisp mode during last 2-5 minutes of cooking to crisp the exterior.
Pizza, french fries, tator tots, chicken nuggets, appetizers on Multiple Racks	Convection Bake Multi Rack	2 and 4	Extension rack position 4 and flat rack position 2. If using Crisp mode, place both pans on top rack if space allows, otherwise Crisp one at a time on top rack position.

*When baking four cake layers at a time, use racks 2 and 4. Place the pans as shown so that one pan is not directly above another.

Cook food thoroughly to help protect against food borne illness. Minimum safe food temperature recommendations for food safety can be found at www.IsItDoneYet.gov. Make sure to use a food thermometer to take food temperatures.



Oven

Be sure electrical power is off and all surfaces are cool before cleaning any part of the oven.

Control Panel

It's a good idea to wipe the control panel after each use. Clean with mild soap and water or vinegar and water, rinse with clean water and polish dry with a soft cloth.

Do not use abrasive cleansers, strong liquid cleansers, plastic scouring pads or oven cleaners on the control panel—they will damage the finish.

Oven Exterior

Do not use oven cleaners, abrasive cleansers, strong liquid cleansers, steel wool, plastic scouring pads, or cleaning powders on the interior or exterior of the oven. Clean with a mild soap and water or vinegar and water solution. Rinse with clean water and dry with a soft cloth. When cleaning surfaces, make sure that they are at room temperature and not in direct sunlight.

If stain on the door vent trim is persistent, use a mild abrasive cleaner and a sponge-scrubber for best results.

Spillage of marinades, fruit juices, tomato sauces and basting liquids containing acids may cause discoloration and should be wiped up immediately. Let hot surfaces cool, then clean and rinse.

Stainless Steel Surfaces

Do not use a steel wool pad; it will scratch the surface.

To clean the stainless steel surface, use warm sudsy water or a stainless steel cleaner or polish. Always wipe the surface in the direction of the grain. Follow the cleaner instructions for cleaning the stainless steel surface.

To inquire about purchasing cleaning products including stainless steel appliance cleaner or polish, see the Accessories and Consumer Support sections at the end of this manual.

Oven Interior

The interior of your new oven can be cleaned manually or by using the Steam Clean or Self Clean modes.

Spillage of marinades, fruit juices, tomato sauces and basting liquids containing acids may cause discoloration and should be wiped up immediately. Let hot surfaces cool, then clean and rinse.

Manual Cleaning

Do not use oven cleaners, abrasive cleaners, strong liquid cleansers, steel wool, scouring pads, or cleaning powders on the interior of the oven. Clean with a mild soap and water or vinegar and water solution. Rinse with clean water and dry with a soft cloth. When cleaning surfaces, make sure that they are at room temperature.

Steam Clean Mode

Steam clean is intended to clean small spills using water and a lower cleaning temperature than Self-Clean.

To use the Steam Clean feature, wipe grease and soils from the oven. Pour one cup of water into the bottom of the oven. Close the doors. Select **Clean** with both knobs. Rotate the mini knob to select steam clean. "Add H2O" will appear in the display. Press the mini knob to start the steam clean. The oven doors will lock. You can not open the doors during the 30 minute steam clean as this will decrease the steam clean performance. At the end of the steam clean cycle the doors will unlock. Wipe out any excess water and any remaining soil.

Self Clean Mode

Read Self-Cleaning Oven Safety Instructions at the beginning of this manual before using Self Clean Mode.

IMPORTANT: The health of some birds is extremely sensitive to the fumes given off during the self-cleaning cycle of any range. Move birds to another well-ventilated room.

Self clean uses very high temperatures to clean the oven interior. The oven doors will lock when using this feature. Before operating the self clean cycle, wipe up grease and soils from the oven. Use a damp cloth to hand clean inside door edge and 2" area around the inside edge of the oven doors. Remove all items from the oven other than enameled (dark color) racks. Shiny or silver racks, the meat probe, and any cookware or other items should all be removed from the oven before initiating a self clean cycle. Close the doors. Select **Clean** with both knobs. Press the mini knob to select self-clean. Rotate the mini knob to adjust the clean time between 3:00 and 5:00 hours or use the default time; press the mini knob to enter the clean time and to start the self-clean. For heavily soiled ovens, the maximum 5 hour clean time is recommended. The oven will turn off automatically when the self clean cycle is complete. The doors will stay locked until the oven has cooled down. After the oven has cooled down wipe any ash out of the oven. On double oven models, you can set a clean cycle in both ovens at the same time. The last oven set will automatically delay its start until the end of the first oven's clean cycle. On double oven models, you can bake in one oven and self-clean in the other at the same time. However, you cannot use the PROOF mode setting in one oven while the other oven is self-cleaning.

Oven Racks

The racks that were provided with your oven (dark enameled racks, not shiny) may remain in the oven during the self-cleaning cycle without being damaged.

To manually clean racks, use warm, soapy water. Make sure not to wash the rack slides on an extension rack.

If racks become more difficult to remove from the oven, put some vegetable oil on a soft cloth or paper towel and rub onto the oven rack supports. Do not wipe the oil on an extension rack slide.

Periodically, after several self-clean cycles, the extension rack slides may need to be lubricated using the graphite lubricant shipped with your wall oven. To order additional graphite lubricant, see the Accessories and Consumer Support sections at the end of this manual.

1. Remove extension rack from the oven. See the Extension Oven Racks section.
2. Fully extend the rack on a table or countertop. Newspaper may be placed underneath the rack for easy clean up.
3. If there is debris in the slide tracks, wipe it away using a paper towel. **NOTE:** Any graphite lubricant wiped away must be replaced.
4. Shake the graphite lubricant before opening it. Starting with left slide mechanism of the rack, place four (4) small drops of lubricant on the two (2) bottom tracks of the slide close to the bearing carriers.
5. Repeat for the right slide mechanism of the rack.
6. Open and close the rack several times to distribute the lubricant.
7. Replace the cap on the lubricant and shake it again. Turn the rack over and repeat steps 3, 4, 5 and 6.
8. Close the rack, turn rack right-side-up and place in the oven. See the Extension Oven Racks section.
9. Repeat above steps for each rack.

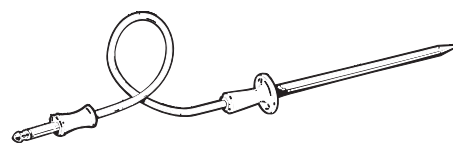
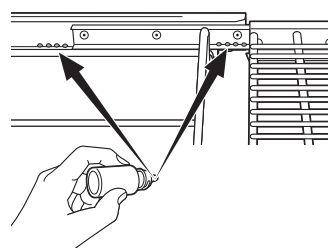
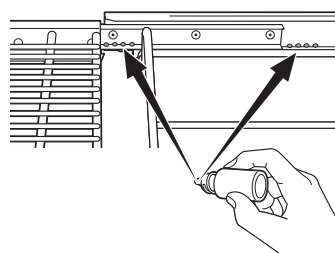
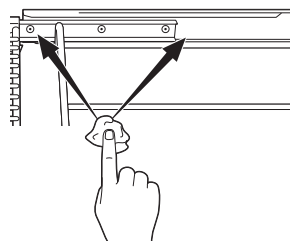
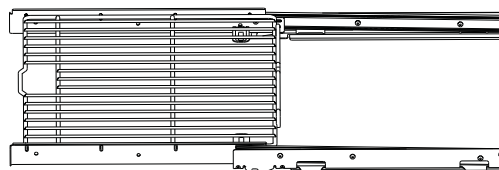
NOTE: Do not spray with cooking spray or other lubricant sprays.

Probe

The temperature probe may be cleaned with soap and water or a soap-filled scouring pad. Cool the temperature probe before cleaning. Scour stubborn spots with a soap-filled scouring pad, rinse and dry.

To order additional temperature probes, see the Accessories and Consumer Support sections at the end of this manual.

- Do not immerse the temperature probe in water.
- Do not store the temperature probe in the oven.
- Do not leave the temperature probe inside the oven during a self or steam clean cycle.



Oven Light

Oven Light Replacement

⚠ WARNING SHOCK OR BURN HAZARD: Before replacing oven light bulb, disconnect the electrical power to the oven at the main fuse or circuit breaker panel. Failure to do so may result in electric shock or burn.

⚠ CAUTION BURN HAZARD: The glass cover and bulb should be removed when cool. Touching hot glass with bare hands or a damp cloth can cause burns.

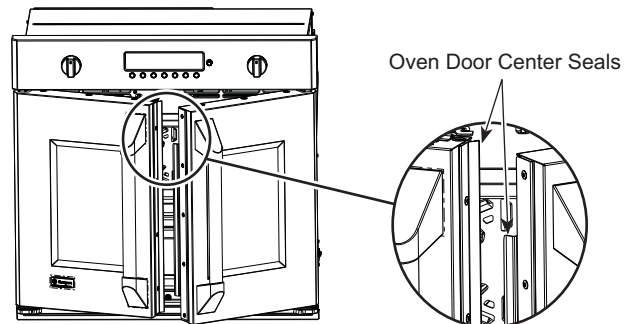
1. Disconnect power at the main fuse or circuit breaker panel.
2. Remove oven racks.
3. Slide a flat blade screwdriver between the housing and the glass light cover.
4. Support the glass light cover with two fingers to prevent the cover from falling to the bottom of the oven. Be careful not to chip the oven coating.
5. Gently twist the screwdriver blade to loosen the glass light cover.
6. Remove the glass light cover.
7. Remove the bulb by firmly grasping and sliding the bulb straight out until the two prongs have cleared the ceramic holder.
8. Do not touch the glass of the new replacement bulb with your fingers. It will cause the bulb to fail when it lights. Grasp the replacement bulb with a clean towel or facial tissue with the prongs facing down. Align the two prongs in the ceramic holder, pressing gently until the bulb is securely in the ceramic socket.
9. Slide the protective lens into the holder and push until the clips snap into the housing.
10. Reconnect power.

Oven Doors

Upper Oven Door Center Seals

If you notice discoloring of the two door center seals that cannot be removed with warm sudsy water and a soft cloth, use a stainless steel cleaner that removes heat discoloration and/or tarnishing.

Do not use abrasive cleaners, metal scouring pads, commercial oven cleaners or sharp objects to try and clean the center seals since this can damage these door parts.



Upper Oven Doors

The French oven doors are not removable or consumer serviceable. Please schedule service on-line at

www.geappliances.com/service_and_support/

or call GE Appliances at 800.GE.CARES (800.432.2737) during normal business hours.

Oven Doors (Cont.)

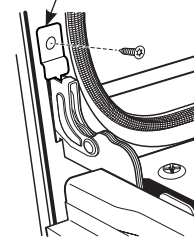
Lower Oven Door Removal (Recommended)

NOTE: Door removal is not a requirement for installation of the product but is an added convenience.

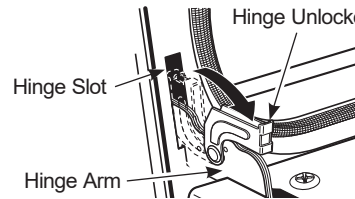
To remove the door:

1. Open the oven door as far as it will go.
2. Remove hinge bracket from front frame and set aside. The hinge bracket must be replaced for proper door functionality when door is reinstalled.
3. Push both hinge locks down toward the door frame to the unlocked position. This may require a flat-blade screwdriver. **DO NOT LIFT THE DOOR BY THE HANDLE!**
4. Place hands on both sides of the door and close the oven door to the removal position (approximately 1"–2" [2.5 cm–5.1 cm] from the closed position).
5. Lift the door up and out until the hinge arms clear the slots. **NOTE:** The oven door is very heavy. Be sure you have a firm grip before lifting the oven door off the hinges. Use caution once the door is removed. Do not lay the door on its handle. This could cause dents or scratches.

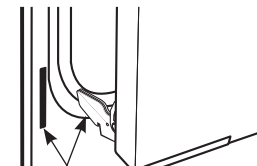
Hinge Bracket



Hinge Unlocked Position



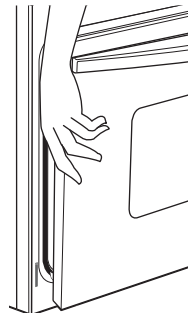
Hinge Clears Slot



Replacing the Lower Oven Door

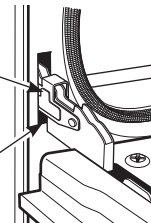
NOTE: The oven door is heavy. You may need help lifting the door high enough to slide it into the hinge slots. Do not lift the door by the handle.

1. Lift the oven door by grasping each side.
2. With the door at the same angle as the removal position (approximately 1"–2" [2.5 cm–5.1 cm] from the closed position), seat the notch of the hinge arm into the bottom edge of the hinge slot. The notch of the hinge arm must be fully seated into the bottom of the slot.
3. Fully open the door. If the door will not fully open, the indentation is not seated correctly in the bottom edge of the slot.
4. Push the hinge locks up against the front frame of the oven cavity, to the locked position.
5. Replace hinge bracket. The hinge bracket must be replaced for proper door functionality.
6. Close the oven door.



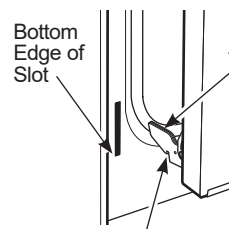
Hinge in Locked Position

Notch of Hinge Securely Fitted Into Bottom of Hinge Slot

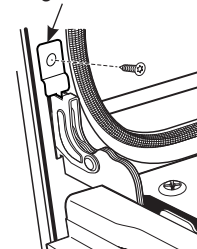


Bottom Edge of Slot
Hinge Arm

Hinge Notch



Hinge Bracket


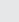



Troubleshooting tips ... Before you call for service

Save time and money! Review the charts on the following pages first and you may not need to call for service.

Problem	Possible Cause	What To Do
My new oven doesn't cook like my old one. Is something wrong with the temperature settings?	Your new oven has a different cooking system from your old oven and therefore may cook differently than your old oven.	For the first few uses, follow your recipe times and temperatures carefully. If you still think your new oven is too hot or too cold, you can adjust the temperature yourself to meet your specific cooking preference. See the Special Features Section to adjust the oven temperature. NOTE: This adjustment affects Traditional Bake, Convection Bake and Convection Bake Multi temperatures; it will not affect Convection Roast, Traditional Broil, Convection Broil or Clean.
Food does not bake properly	Oven controls improperly set.	See the Cooking Modes section.
	Rack position is incorrect or rack is not level.	See the Cooking Modes section and Cooking Guide.
	Incorrect cookware or cookware of improper size being used.	See the Cookware section.
	Oven temperature needs adjustment.	See the Special Features section.
	Ingredient substitution	Substituting ingredients can change the recipe outcome.
Food does not broil properly	Oven controls improperly set.	Make sure you select the appropriate broil mode. NOTE: Convection crisp is not for broiling foods.
	Improper rack position being used.	See the Cooking Guide for rack location suggestions.
	Food being cooked in a hot pan.	Make sure cookware is cool
	Cookware not suited for broiling.	Use a pan specifically designed for broiling
	Aluminum foil used on the broiling pan and grid has not been fitted properly and slit as recommended.	If using aluminum foil conform to pan slits.
	In some areas the power (voltage) may be low.	Preheat the broil element for 10 minutes.
Oven temperature too hot or too cold	Oven temperature needs adjustment.	See the Special Features section.
Oven does not work or appears not to work	A fuse in your home may be blown or the circuit breaker tripped.	Replace the fuse or reset the circuit breaker.
	Oven controls improperly set.	See the Using the Oven section.
	The clock is turned off or display sleep is turned on.	See the Special Features section.
	Oven is in Sabbath Mode.	Verify that the oven is not in Sabbath Mode. See the Special Features section.
"Crackling" or "popping" sound	This is the sound of the metal heating and cooling during both the cooking and cleaning functions.	This is normal.
Why is my range making a "clicking" noise when using my oven?	Your range has been designed to maintain a tighter control over your oven's temperature. You may hear your oven's heating elements "click" on and off more frequently than in older ovens to achieve better results during baking, broiling, convection, and self-clean cycles.	This is normal.
Clock and timer do not work	A fuse in your home may be blown or the circuit breaker tripped.	Replace the fuse or reset the circuit breaker.
	Oven display sleep is turned on or clock setting is turned off.	See the Special Features section.

Troubleshooting tips ... Before you call for service

Problem	Possible Cause	What To Do
Oven light does not work	Light bulb is broken or defective.	Call for service.
	Pad operating light is broken.	Call for service.
Oven will not self-clean	The temperature is too high to set a self-clean operation.	Allow the oven to cool and reset the controls.
	Oven controls improperly set.	See the Cleaning the Oven section.
Excessive smoking during clean cycle	Excessive soil or grease.	Turn both knobs to OFF. Open the windows to rid the room of smoke. Wait until the LOCKED light goes off. Wipe up the excess soil and reset the clean cycle.
Excessive smoking during broiling	Food too close to burner element.	Lower the rack position of the food.
Oven door will not open after a clean cycle	Oven too hot.	Allow the oven to cool below locking temperature.
Oven not clean after a clean cycle	Oven controls improperly set.	See the Cleaning the Oven section.
	Oven was heavily soiled.	Clean up heavy spillovers before starting the clean cycle. Heavily soiled ovens may need to self-clean again or for a longer period of time.
"DOOR  " flashes in the display	The self-clean cycle has been selected but the door is not closed.	Close the oven door. Wait for oven door to finish locking.
	"DOOR  " will flash while the oven door is locking to start self-clean and steam clean.	This is normal.
"DOOR  " light is on when you want to cook	The oven door is locked because the temperature inside the oven has not dropped below the locking temperature.	Allow the oven to cool.
"F— and a number or letter" flash in the display	You have a function error code.	Press the mini knob. Allow the oven to cool for one hour. Put the oven back into operation.
	If the function code repeats.	Disconnect all power to the oven for at least 30 seconds and then reconnect power. If the function error code repeats, call for service.
Display goes blank	A fuse in your home may be blown or the circuit breaker tripped.	Replace the fuse or reset the circuit breaker.
	The clock is turned off or display sleep is turned on.	See the Special Features section.
	Oven is in Sabbath Mode.	Verify that the oven is not in Sabbath Mode. See the Special Features section.
Power outage, clock flashes	Power outage or surge	Reset the clock. If the oven was in use, you must reset it by pressing the mini knob, setting the clock and resetting any cooking function.
"Burning" or "oily" odor emitting from the vent	This is normal in a new oven and will disappear in time.	To speed the process, set a self-clean cycle for a minimum of 3 hours. See the Cleaning the Oven section.
Strong odor	An odor from the insulation around the inside of the oven is normal for the first few times the oven is used.	This is temporary and will go away after several uses or a self-clean cycle.
Fan noise	A cooling fan may automatically turn on.	This is normal. The cooling fan will turn on to cool internal parts. It may run for up to 1-1/2 hours after the oven is turned off.
My oven door glass appears to be "tinted" or have a "rainbow" color. Is this defective?	No. The inner oven glass is coated with a heat barrier to reflect the heat back into the oven to prevent heat loss and keep the outer door cool while baking.	This is normal. Under certain light or angles, you may see this tint or rainbow color.

Troubleshooting tips ... Before you call for service

Problem	Possible Cause	What To Do
Sometimes the oven takes longer to preheat to the same temperature	Cookware or food in oven	The cookware or food in the oven will cause the oven to take longer to preheat. Remove items to reduce preheat time.
	Number of racks in oven	Adding more racks to the oven will cause the oven to take longer to preheat. Remove some racks.
	Different cooking modes	The different cooking modes use different preheat methods to heat the oven for the specific cooking mode. Some modes will take longer than others (i.e. convection bake multi).
Oven will not work remotely	Router issues, no wireless signal, etc.	For assistance with oven wireless network connectivity, please call 1-800-220-6899.
	Oven is not connected.	

Notes

GE Appliances Electric Wall Oven Warranty

GEAppliances.com

All warranty service is provided by our Factory Service Centers, or an authorized Customer Care® technician. To schedule service online, visit us at www.geappliances.com/service_and_support/, or call GE Appliances at 800.GE.CARES (800.432.2737). Please have your serial number and your model number available when calling for service.

Servicing your appliance may require the use of the onboard data port for diagnostics. This gives a GE Appliances factory service technician the ability to quickly diagnose any issues with your appliance and helps GE Appliances improve its products by providing GE Appliances with information on your appliance. If you do not want your appliance data to be sent to GE Appliances, please advise your technician not to submit the data to GE Appliances at the time of service.

For the period of	GE Appliances will replace
One year From the date of the original purchase	Any part of the wall oven which fails due to a defect in materials or workmanship. During this limited one-year warranty , GE Appliances will provide, free of charge , all labor and in-home service to replace the defective part.

What GE Appliances will not cover:

- Service trips to your home to teach you how to use the product.
- Improper installation, delivery or maintenance.
- Failure of the product if it is abused, misused, modified or used for other than the intended purpose or used commercially.
- Replacement of house fuses or resetting of circuit breakers.
- Damage to the product caused by accident, fire, floods or acts of God.
- Incidental or consequential damage caused by possible defects with this appliance.
- Damage caused after delivery.
- Product not accessible to provide required service.
- Service to repair or replace light bulbs, except for LED lamps.

EXCLUSION OF IMPLIED WARRANTIES

Your sole and exclusive remedy is product repair as provided in this Limited Warranty. Any implied warranties, including the implied warranties of merchantability or fitness for a particular purpose, are limited to one year or the shortest period allowed by law.

This warranty is extended to the original purchaser and any succeeding owner for products purchased for home use within the USA. If the product is located in an area where service by a GE Appliances Authorized Servicer is not available, you may be responsible for a trip charge or you may be required to bring the product to an Authorized GE Appliances Service location for service. In Alaska, the warranty excludes the cost of shipping or service calls to your home. Some states do not allow the exclusion or limitation of incidental or consequential damages. This warranty gives you specific legal rights, and you may also have other rights which vary from state to state. To know what your legal rights are, consult your local or state consumer affairs office or your state's Attorney General.

Warrantor: GE Appliances, a Haier company

Extended Warranties: Purchase a GE Appliances extended warranty and learn about special discounts that are available while your warranty is still in effect. You can purchase it online anytime at

www.geappliances.com/service_and_support/shop-for-extended-service-plans.htm

or call 800.626.2224 during normal business hours. GE Appliances Service will still be there after your warranty expires.

Staple your receipt here. Proof of the original purchase date is needed to obtain service under the warranty.

Accessories

Looking For Something More?

GE Appliances offers a variety of accessories to improve your cooking and maintenance experiences!

Refer to the Consumer Support page for phone numbers and website information.

The following products and more are available:

Accessories

XL Broiler Pan (17 " x 1 1/4" x 19 1/4")

Parts

Oven racks

Oven elements

Probe

Cleaning Supplies

CitruShine™ Stainless Steel Wipes

CeramaBryte Stainless Steel Appliance Cleaner

Graphite Lubricant

Consumer Support

GE Appliances Website

Have a question or need assistance with your appliance? Try the GE Appliances Website 24 hours a day, any day of the year! You can also shop for more great GE Appliances products and take advantage of all our on-line support services designed for your convenience. In the US: **GEAppliances.com**

Register Your Appliance

Register your new appliance on-line at your convenience! Timely product registration will allow for enhanced communication and prompt service under the terms of your warranty, should the need arise. You may also mail in the pre-printed registration card included in the packing material. In the US: **GEAppliances.com/register**

Schedule Service

Expert GE Appliances repair service is only one step away from your door. Get on-line and schedule your service at your convenience any day of the year. In the US: **GEAppliances.com/service** or call 800.432.2737 during normal business hours.

Extended Warranties

Purchase a GE Appliances extended warranty and learn about special discounts that are available while your warranty is still in effect. You can purchase it on-line anytime. GE Appliances Services will still be there after your warranty expires. In the US: **GEAppliances.com/extended-warranty** or call 800.626.2224 during normal business hours.

Remote Connectivity

For assistance with wireless network connectivity (for models with remote enable), visit our website at **GEAppliances.com/connected-home-smart-appliances/** or call 800.220.6899 in the US.

Parts and Accessories

Individuals qualified to service their own appliances can have parts or accessories sent directly to their homes (VISA, MasterCard and Discover cards are accepted). Order on-line today 24 hours every day. In the US: **GEApplianceparts.com** or by phone at 877.959.8688 during normal business hours.

Instructions contained in this manual cover procedures to be performed by any user. Other servicing generally should be referred to qualified service personnel. Caution must be exercised, since improper servicing may cause unsafe operation.

Contact Us

If you are not satisfied with the service you receive from GE Appliances, contact us on our Website with all the details including your phone number, or write to:

In the US: General Manager, Customer Relations | GE Appliances, Appliance Park | Louisville, KY 40225
GEAppliances.com/contact



HORNO DE PARED

Eléctrico con Convección Directa de Aire Incorporada

INFORMACIÓN DE SEGURIDAD ... 3

USO DEL HORNO

Controles del Horno..... 6

Funciones especiales..... 7

Modo Sabático 8

Puertas Superiores del Horno 9

Estantes del Horno..... 9

Papel de Aluminio y Cobertores del Horno...10

Modos de Cocción 11

Sonda12

Utensilios12

Guía de Cocción.....13

CUIDADO Y LIMPIEZA

Horno14

Estantes del Horno.....15

Sonda15

Luz del Horno16

Puertas de Horno.....16

CONSEJOS PARA LA SOLUCIÓN DE PROBLEMAS18

GARANTÍA..... 22

ACCESORIOS 23

SOPORTE PARA EL CONSUMIDOR 24

MANUAL DEL PROPIETARIO

CT9570
Horno de Pared Doble con Puerta Francesa de 30"

Escriba los números de modelo y de serie aquí:

Nº de Modelo _____

Nº de Serie _____

Los podrá encontrar en una etiqueta en el borde lateral o en el frente del horno (inferior) detrás de la puerta del horno.

GRACIAS POR HACER QUE GE APPLIANCES SEA PARTE DE SU HOGAR.

Ya sea que haya crecido usando GE Appliances, o que ésta es su primera vez, nos complace tenerlo en la familia.

Sentimos orgullo por el nivel de arte, innovación y diseño de cada uno de los electrodomésticos de GE Appliances, y creemos que usted también. Entre otras cosas, el registro de su electrodoméstico asegura que podamos entregarle información importante del producto y detalles de la garantía cuando los necesite.

Registre su electrodoméstico GE ahora a través de Internet. Sitios Web y números telefónicos útiles están disponibles en la sección de Soporte para el Consumidor de este Manual del Propietario.

También puede enviar una carta en la tarjeta de inscripción preimpresa que se incluye con el material embalado.



GE APPLIANCES

INFORMACIÓN IMPORTANTE DE SEGURIDAD

LEA TODAS LAS INSTRUCCIONES ANTES DE USAR

⚠ADVERTENCIA Lea todas las instrucciones antes de usar el producto. Si no se siguen estas instrucciones se podrán producir incendios, descargas eléctricas, lesiones graves o la muerte.

⚠ADVERTENCIA INSTRUCCIONES GENERALES DE SEGURIDAD

- Use este electrodoméstico sólo para su propósito original, como se describe en el Manual del Propietario.
- Solicite que un instalador calificado instale su electrodoméstico y que esté adecuadamente conectado a tierra, de acuerdo con las instrucciones de instalación provistas.
- No intente reparar o reemplazar ninguna parte del horno, a menos que se recomiende específicamente en este manual. Cualquier otra reparación deberá ser realizada por un técnico calificado.
- Antes de realizar cualquier servicio técnico, desconecte el suministro de corriente desde el panel de distribución del hogar, retirando el fusible o desconectando el disyuntor.
- No deje a los niños solos – no se deberá dejar a los niños solos o fuera de su radio de atención en el área donde el electrodoméstico se encuentre en uso. Nunca se les deberá permitir trepar, sentarse o pararse sobre ninguna parte del electrodoméstico.
- **⚠PRECAUCIÓN** No coloque artículos de interés para los niños sobre los gabinetes que están sobre un horno – si los niños se trepan sobre el horno para llegar a estos artículos podrían sufrir lesiones graves.
- Use sólo mangos de ollas secas – los mangos húmedos sobre superficies calientes pueden producir quemaduras debido al vapor. No deje que los mangos de las ollas toquen los elementos que están calientes. No use una toalla u otra tela voluminosa para reemplazar el mango de las cacerolas.
- Nunca use el electrodoméstico para calentar o calefaccionar la habitación.
- No toque el elemento calentador ni la superficie interior del horno. Es posible que estas superficies estén demasiado calientes como para quemar, aunque su color sea oscuro. Durante y después del uso, no toque ni permita que telas u otros materiales inflamables toquen cualquier área interior del horno; espere a que haya pasado un tiempo suficiente para que se enfríen. Otras superficies del electrodoméstico se podrán calentar lo suficiente como para ocasionar lesiones. Las superficies potencialmente calientes incluyen la abertura de la ventilación del horno, superficies cercanas a la abertura y grietas alrededor de la puerta del horno.
- No caliente envases de comida que no hayan sido abiertos. Se podría acumular presión y el envase podría explotar, ocasionando una lesión.
- No use ningún tipo de aluminio o cobertor para cubrir el fondo del horno o cualquier parte del horno, excepto como se describe en este manual. Los cobertores de horno pueden atrapar el calor o derretirse, ocasionando daños sobre el producto y el riesgo de descargas, humo o incendios.
- Evite las ralladuras o impactos sobre las puertas de vidrio o los paneles de control. Hacer esto podrá producir la rotura de vidrios. No cocine un producto con un vidrio roto. Es posible que se produzcan descargas, incendios o cortes.
- Cocine carnes y carnes de ave en forma completa – la carne por lo menos a una temperatura interna de 160° F y la carne de ave por lo menos a una temperatura interna de 180° F. Normalmente la cocción a estas temperaturas es una protección contra las enfermedades transmitidas por la comida.

⚠ADVERTENCIA MANTENGA LOS MATERIALES INFLAMABLES ALEJADOS DE LA COCINA

Si esto no se cumple, se podrán sufrir lesiones personales graves o incendios.

- No guarde ni use materiales inflamables en o cerca de un horno, incluyendo papel, plástico, mangos de ollas, trapos, cobertores de pared, cortinas, paños y gasolina u otros vapores y líquidos inflamables.
- Nunca use prendas holgadas o que cuelguen mientras usa el electrodoméstico. Estas prendas se podrán incendiar si entran en contacto con superficies calientes, ocasionando quemaduras graves.
- No permita que la grasa de la cocción u otros materiales inflamables se acumulen en o cerca del horno. La grasa que está en o cerca del horno se podrá incendiar.

LEA Y GUARDE ESTAS INSTRUCCIONES

INFORMACIÓN IMPORTANTE DE SEGURIDAD

LEA TODAS LAS INSTRUCCIONES ANTES DE USAR

▲ADVERTENCIA EN CASO DE INCENDIO, SIGA LOS SIGUIENTES PASOS PARA EVITAR LESIONES O LA PROPAGACIÓN DEL FUEGO

- No use agua sobre el fuego de la grasa. Nunca tome una olla que se esté incendiando.
- Si hay un incendio en el horno durante el horneado, ahogue el fuego cerrando la puerta del horno y apagando el mismo o usando un químico seco multipropósito o un extintor de incendio con espuma.
- En caso de que haya fuego en el horno durante el ciclo de limpieza automática, apague el horno y espere a que el fuego se extinga. No fuerce la puerta para abrirla. La entrada de aire fresco sobre las temperaturas de la limpieza automática podrá conducir a la producción de llamas en el horno.

▲ADVERTENCIA INSTRUCCIONES DE SEGURIDAD DEL HORNO

- Manténgase alejado del horno al abrir la puerta del mismo. El aire caliente o el vapor que sale puede causar quemaduras en las manos, rostro y/u ojos.
- Mantenga desobstruida la ventilación del horno.
- Mantenga el horno libre de acumulación de grasa. La grasa del horno se puede incendiar.
- Coloque los estantes del horno en la ubicación deseada mientras éste se encuentra frío. Si es necesario mover el estante mientras el horno está caliente, evite que el mango de la olla tenga contacto con el elemento calentador en el horno.
- Al usar las bolsas para cocinar o dorar en el horno, siga las instrucciones del fabricante.
- Es conveniente empujar hacia afuera los estantes estándares hasta el tope o empujar el estante extensible hasta la posición completamente abierta para levantar comidas pesadas. Esto también es una precaución contra quemaduras por tocar superficies calientes de la puerta o las paredes del horno.
- No deje productos tales como papel, utensilios de cocina ni comida en el horno cuando éste no se encuentre en uso. Los artículos guardados en el horno se pueden incendiar.
- Nunca coloque los utensilios de cocina, piedras para pizza u horneado o cualquier otro tipo de aluminio o cobertor en la base del horno. Estos ítems pueden atrapar el calor o derretirse, ocasionando daños sobre el producto y el riesgo de descargas, humo o incendios.

▲ADVERTENCIA INSTRUCCIONES DE SEGURIDAD DEL HORNO CON LIMPIEZA AUTOMÁTICA

La función de limpieza automática usa el horno en temperaturas lo suficientemente altas como para consumir la suciedad de comida que haya dentro del horno. Para un funcionamiento seguro, siga estas instrucciones.

- No toque las superficies del horno durante el ciclo de limpieza automática. Mantenga a los niños alejados del horno durante la limpieza automática. Si no se siguen estas instrucciones, se podrán producir quemaduras.
- Antes de usar el ciclo de limpieza automática del horno, retire los estantes de color gris brillante (en algunos modelos), la sonda, cualquier papel de aluminio, y cualquier bandeja para asar, rejilla, u otros utensilios. Sólo se pueden dejar dentro del horno los estantes para horno cubiertos de porcelana.
- Antes de utilizar el ciclo de limpieza automática, limpie la grasa y restos de comida que haya en el horno. Una cantidad excesiva de grasa se puede incendiar, lo cual puede producir daños con humo en su hogar.
- Si el modo de limpieza automática funciona de forma incorrecta, apague el horno y desconecte el suministro de corriente. Solicite el servicio de un técnico calificado.
- No limpie la junta de la puerta. La junta de la puerta es esencial para un buen sellado. Se debe tener cuidado de no frotar, dañar ni mover la junta.
- No use limpiadores para horno. No se deberá usar limpiadores comerciales para horno ni revestimientos de protección para hornos de ningún tipo en o alrededor de cualquier parte del horno.

LEA Y GUARDE ESTAS INSTRUCCIONES

INFORMACIÓN IMPORTANTE DE SEGURIDAD

LEA TODAS LAS INSTRUCCIONES ANTES DE USAR

ADVERTENCIA DE LA PROPOSICIÓN 65 DEL ESTADO DE CALIFORNIA

▲ ADVERTENCIA

Este producto contiene uno o más químicos que el Estado de California entiende que producen cáncer, defectos en el nacimiento u otros daños reproductivos.

Los hornos con limpieza automática pueden ocasionar exposiciones de bajo nivel a algunas de las sustancias de la Proposición 65, incluyendo monóxido de carbono, durante el ciclo de limpieza. La exposición a sustancias puede ser minimizada abriendo una ventana o usando un extractor o campana.

El equipo de acceso remoto instalado en este horno fue probado y cumple con los límites establecidos para un dispositivo digital de clase B, según la parte 15 de la Normativa de la FCC. Estos límites fueron diseñados para:

(a) brindar una protección razonable contra interferencias nocivas en una instalación residencial. Este equipo genera, usa y puede emitir energía de radiofrecuencia y, si no se instala y utiliza de acuerdo con las instrucciones, puede ocasionar interferencias perjudiciales en las comunicaciones de radio. Sin embargo, no se garantiza que no se presenten interferencias en una instalación en particular. Si el equipo provoca interferencias perjudiciales para la recepción de radio o televisión, lo cual puede comprobar encendiendo y apagando el equipo, se aconseja al usuario que intente corregir la interferencia con una de las siguientes medidas:

- Reoriente o reubique la antena receptora.
- Aumente la separación entre el equipo y el receptor.
- Conecte el equipo a un tomacorriente de un circuito diferente del tomacorriente al que se encuentra conectado el receptor.
- Para solicitar ayuda, consulte con el proveedor minorista o a un técnico experimentado de radio/ TV.

(b) tolerar cualquier interferencia recibida, incluyendo las interferencias que puedan provocar un funcionamiento no deseado del dispositivo.

Observe que todos los cambios o modificaciones sobre el dispositivo de comunicación inalámbrico instalado en este horno que no estén expresamente aprobados por el fabricante podrían anular la autoridad del usuario para operar el equipamiento.

Cómo Retirar la Película Protectora de Envío y la Cinta de Embalaje

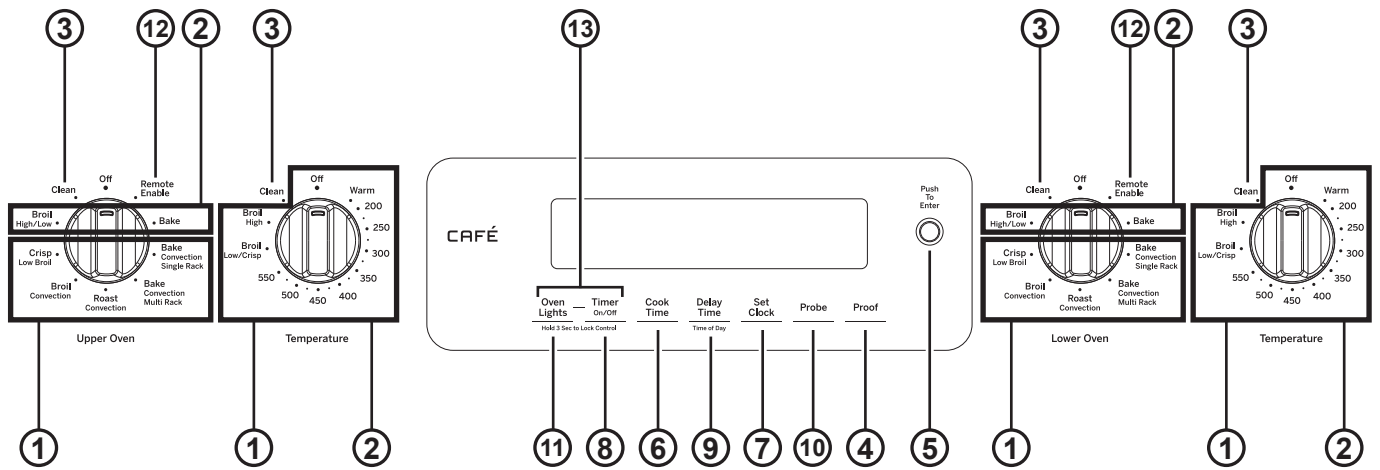
Con cuidado tome un extremo de la película protectora de envío con los dedos y lentamente retire la misma de la superficie del electrodoméstico. No utilice ningún producto filoso para retirar la película. Retire toda la película antes de usar el electrodoméstico por primera vez.

Para asegurar que no haya daños sobre el acabado del producto, la forma más segura de retirar el adhesivo de la cinta de embalaje en electrodomésticos nuevos es aplicando un detergente líquido hogareño para lavar platos. Aplique con una tela suave y deje que se seque.

NOTA: El adhesivo deberá ser eliminado de todas las partes. No se puede retirar si se hornea con éste dentro.

LEA Y GUARDE ESTAS INSTRUCCIONES

Controles del Horno



- Convection Cooking Modes (Modos de Cocción por Convección):** Los modos de cocción por convección utilizan una circulación de aire incrementada para mejorar el rendimiento. El tipo de beneficio depende del modo. Su horno cuenta con los siguientes modos de cocción por convección: Bake 1 Rack (Horneado en 1 Estante), Bake Multi (Horneado Múltiple), Broil (Asar), Roast (Dorar) y Low Broil Crisp (Asar en Fuego Bajo Crocante). Seleccione el modo de cocción y luego configure la temperatura para iniciar la cocción. Para más información, consulte la sección de Modos de Cocción.
- Traditional Cooking Modes (Modos de Cocción Tradicionales):** Su horno cuenta con los siguientes modos de cocción tradicionales: Bake (Hornear) y High/Low Broil (Asar en Fuego Alto/ Bajo). Seleccione el modo de cocción y luego configure la temperatura para iniciar la cocción. Para más información, consulte la sección de Modos de Cocción.
- Clean (Limpieza):** El horno cuenta con dos modos de limpieza: Self Clean (Limpieza Automática) y Steam Clean (Limpieza con Vapor). Para acceder a información importante sobre el uso de estos modos, consulte la sección de Limpieza del Horno.
- Proof (Leudar):** Use esta función como ayuda para leudar masas de pan. Para más información, consulte la sección de Modos de Cocción.
- Mini Knob (Mini Perilla):** Gire esta perilla para incrementar o reducir la configuración de tiempo y luego presione la perilla para confirmar la configuración al usar Set Clock (Configurar Reloj), Cook Time (Tiempo de Cocción), Delay Time (Tiempo de Retraso), y Timer (Temporizador). Gire esta perilla para incrementar o reducir el tiempo de Self-Clean (Limpieza Automática) y presione la perilla para confirmar la configuración o presione la misma para pasar de la limpieza automática a la limpieza con vapor. Gire la perilla para incrementar o reducir la configuración de temperatura y presione la misma para confirmar la configuración al usar la función de la sonda.
- Cook Time (Tiempo de Cocción):** Cuenta el tiempo de cocción y apaga el horno cuando el tiempo de cocción está completo. Presione la tecla Cook Time (Tiempo de Cocción) una vez para el horno superior y una segunda vez para el horno inferior; gire la mini perilla para programar un tiempo de cocción en horas y minutos, luego presione la mini perilla para configurar el tiempo de cocción. Esta función sólo puede ser usada con Traditional Bake (Horneado Tradicional), Convection Bake 1 Rack (Hornear por Convección en 1 Estante), Convection Bake Multi (Hornear por Convección Múltiple), y Convection Roast (Dorar por Convección).
- Set Clock (Configuración del Reloj):** Configure la hora del reloj del horno: Presione la tecla Set Clock (Configurar Reloj) y gire la mini perilla para programar el reloj. Presione la mini perilla para configurar el tiempo y luego gire la misma para seleccionar AM o PM. Presione la mini perilla para guardar el tiempo configurado.
- Timer (Temporizador):** Funciona como un temporizador con cuenta regresiva: Presione la tecla Timer (Temporizador) una vez para configurar el primer temporizador y nuevamente para configurar el segundo temporizador. Gire la mini perilla para programar el tiempo en horas y minutos, y luego presione la mini perilla para iniciar el temporizador. El horno continuará funcionando cuando la cuenta regresiva del temporizador se haya completado. Para apagar el temporizador, presione la tecla Timer (Temporizador) y gire la mini perilla hasta que en el temporizador se visualice 0:00; luego presione la mini perilla para borrar el tiempo programado.
- Delay Time (Tiempo de Retraso):** Genera un retraso cuando el horno es encendido. Presione la tecla Delay Time (Tiempo de Retraso) una vez para el horno superior y una segunda vez para el horno inferior. Luego gire la mini perilla para programar la hora del día en que desea que el horno se encienda. Presione la mini perilla para configurar el tiempo de inicio y luego gire la misma para seleccionar AM o PM. Presione la mini perilla para guardar el tiempo configurado. Configure el modo de cocción y la temperatura deseados. Si lo desea, también puede ser programado un tiempo de cocción. Esto sólo puede ser usado con Traditional Bake (Horneado Tradicional), Convection Bake 1 Rack (Horneado por Convección en 1 Estante), Convection Bake Multi (Hornear por Multi Convección), Convection Roast (Dorar por Convección) y Self-Clean (Limpieza Automática).
NOTA: Al usar la función de tiempo de retraso, las comidas que se echan a perder rápidamente, tales como leche, huevos, pescado, rellenos, ave y cerdo, no se deberán dejar reposar por más de 1 hora antes y después de la cocción. La temperatura ambiente estimula el desarrollo de bacterias nocivas. Asegúrese de que la luz del horno esté apagada, ya que el calor de la lámpara acelerará el crecimiento de bacterias nocivas.
- Probe (Sonda):** Monitorea la temperatura interna de la comida y apaga el horno cuando la comida alcanza la temperatura programada. Inserte la sonda, programe el modo de cocción, y programe la temperatura de la sonda. Para más información, consulte la sección de Modos de Cocción. La sonda sólo puede ser usada con las funciones Traditional Bake (Horneado Tradicional), Convection Bake 1 Rack (Horneado por Convección en 1 Estante) y Convection Roast (Dorar por Convección). Esta función está disponible tanto para el horno superior como para el horno inferior.
- Oven Light(s) (Luz(es) del Horno):** Enciende o apaga la luz(es) del horno.
- Remote Enable (Acceso Remoto) (en algunos modelos):**
CÓMO CONECTAR EL HORNO
Off (Apagado) - El horno no está conectado. Abra la aplicación y luego seleccione Remote Enable (Acceso Remoto) para comenzar con el proceso de conexión.
Slow flash (parpadeo lento) - El horno está en modo de búsqueda y está buscando una red.
Rapid flash (parpadeo rápido) - Se produjo un error durante el proceso de conexión.
Solid (Sólido) - El horno está conectado a la red y puede ser controlado en forma remota a través de un dispositivo móvil conectado cuando está en funcionamiento, pero no puede ser iniciado en forma remota.
INICIO DEL HORNO EN FORMA REMOTA
Para poder iniciar el horno en forma remota, seleccione la tecla Remote Enable (Acceso Remoto) y el ícono REMOTE (Remoto) se encenderá en la pantalla. El horno puede ser iniciado ahora en forma remota con un dispositivo conectado. Abrir una puerta del horno o apagar el horno hará que se apague el ícono REMOTE (Remoto). El ícono REMOTE (Remoto) debe estar iluminado para iniciar el horno de forma remota. No se requiere el ícono REMOTE (Remoto) para cambiar las configuraciones del horno o para apagar el mismo. Luego de usar el horno, recuerde verificar que el ícono REMOTE (Remoto) esté iluminado, si desea iniciar el horno de forma remota en el futuro.

Funciones especiales (Cont.)

Pantalla en Modo de Reposo (diSP SLEEP)

Esta función apaga la pantalla luego de 5 minutos sin uso cuando es encendida. Esta función fue diseñada como un modo de ahorro de energía.

Alerta de Puerta Abierta (door ALert)

Esta función alerta al usuario que una puerta no está completamente cerrada. Las opciones incluyen recibir el alerta luego de 30 segundos (30s), 60 segundos (60s), y 90 segundos (90s) una vez que la puerta fue abierta. O la función puede ser apagada (OFF).

Modo Sabático (SabbAtH)

El modo sabático desactiva las luces del horno, (la luz del horno no se encenderá cuando una puerta sea abierta), todos los sonidos (el control no emitirá un pitido cuando se presione un botón), los modos Convection (Convección), los modos Broil (Asar), Warm (Calentar), Proof (Levar), y las funciones de tiempo. El modo Sabbath (Sabático) sólo puede ser usado con la función Traditional Bake (Horneado Tradicional). Esta función se activa conforme con los requisitos Sabáticos Judíos de la Estrella K.

NOTA: Si se produce un corte de corriente mientras se encuentra en Sabbath Mode (Modo Sabático), la unidad regresará a dicho modo cuando la corriente sea restablecida.

Ingrese Sabbath Mode (Modo Sabático)

Presione las teclas **Cook Time (Tiempo de Cocción)** y **Delay Time (Tiempo de Retraso)** al mismo tiempo durante tres segundos. Use la mini perilla para pasar a través de las opciones de funciones especiales a "SabbAtH" (Sabático); luego presione la mini perilla para seleccionar "SabbAtH" (Sabático), gire la mini perilla para cambiar la configuración de la función Sabbath (Sabático) de "OFF" (Apagado) a "on" (Encendido) y presione la mini perilla para confirmar la selección.

Presione las teclas **Cook Time (Tiempo de Cocción)** y **Delay Time (Tiempo de Retraso)** al mismo tiempo durante tres segundos para salir del modo de funciones especiales. El ícono] aparecerá en la pantalla, indicando que la unidad se encuentra en Sabbath Mode (Modo Sabático). El reloj no aparecerá.

Inicie Sabbath Bake (Horneado Sabático)

Gire las perillas para seleccionar **Bake (Hornear)** y la temperatura de cocción deseada. En un momento al azar entre los 30 segundos y 1 minuto, el ícono][aparecerá en la pantalla indicando que el horno está en funcionamiento.

Ajuste la Temperatura Durante el Horneado Sabático

Si necesita ajustar la temperatura, gire la perilla de temperatura hasta la nueva selección. No se emitirá ningún sonido cuando las teclas sean presionadas. Debido a que no hay ninguna indicación durante el cambio de temperatura, se puede usar un termómetro para horno para confirmar cambios de temperatura.

Por Omisión (dEFault)

Esta función reinicia todas las funciones especiales a las configuraciones por omisión originales del horno.

Horneado con Temporizador Durante el Modo Sabático

Si desea usar la función Cook Time (Tiempo de Cocción) para hornear en el horno y luego hacer que el horno se apague de forma automática, no ingrese el modo Sabbath (Sabático). Necesitará cambiar Cycle End Tone (Tono de Fin del Ciclo) de un pitido continuo a un pitido simple, apagar Tone Volume (Volumen del Tono), y apagar la luz del horno usando el panel de control. Luego puede programar el horno en el tiempo de cocción deseado, a través de la función de horneado. Observe que la función Cook Time (Tiempo de Cocción) iniciará de inmediato la cuenta regresiva una vez configurada.

Salga del Modo Sabático

Para finalizar un ciclo de horneado, gire ambas perillas a la posición de apagado. El ícono][cambiará al ícono], indicando que el horno se apagó.

Presione las teclas **Cook Time (Tiempo de Cocción)** y **Delay Time (Tiempo de Retraso)** al mismo tiempo durante tres segundos. Use la mini perilla para pasar a través de las opciones de funciones especiales a "SabbAtH" (Sabático); luego presione la mini perilla para seleccionar "SabbAtH" (Sabático), gire la mini perilla para cambiar la configuración de la función Sabbath (Sabático) de "on" (encendido) a "OFF" (Apagado) y presione la mini perilla para confirmar la selección.

Presione las teclas **Cook Time (Tiempo de Cocción)** y **Delay Time (Tiempo de Retraso)** durante 3 segundos para salir del modo de funciones especiales. El reloj aparecerá nuevamente indicando que el horno ya no está en Sabbath Mode (Modo Sabático).

Puertas Superiores del Horno

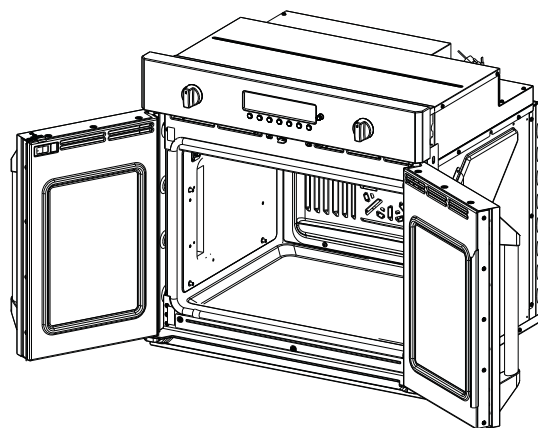
Las puertas del horno superior de este horno doble son únicas. Las puertas se abren hacia los costados de la unidad y de forma simultánea. Asegúrese de que el área a cada lado del horno esté despejada al abrir las puertas del horno, de modo que las mismas se puedan abrir de forma completa y no se golpeen contra puertas abiertas, cajones abiertos, u otros ítems a los costados del horno.

Empujar una manija hacia uno hará que ambas puertas se abran.

⚠ PRECAUCIÓN Asegúrese de que las puertas estén completamente abiertas para evitar quemaduras.

Empujar una manija hacia adelante hará que ambas puertas se cierren. Si cerrará las puertas empujando sólo una de las manijas, use la manija izquierda. El sello de la puerta central requiere que la puerta izquierda sea cerrada de forma suave antes que la puerta derecha.

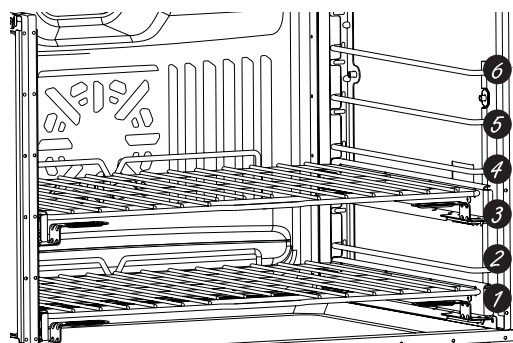
Asegúrese de que las puertas del horno estén completamente cerradas al realizar la cocción. Si las puertas están abiertas o no se cierran completamente por más de 60 segundos durante un modo de cocción, el horno se apagará y el control solicitará que cierre las puertas para reanudar la cocción.



Estantes del Horno

El horno cuenta con seis posiciones de estantes. En la Guía de Cocción, se brindan recomendaciones de posiciones de los estantes para diferentes tipos de comidas. Se ajusta un estante en una dirección para afectar los resultados de cocción. Por ejemplo, si se prefieren partes superiores más oscuras en tartas, panecillos o galletas, pruebe moviendo la comida a un estante que se encuentre una posición más arriba. Si encuentra que las comidas están demasiado doradas en la parte superior, pruebe moviendo las mismas más abajo la próxima vez.

Al hornear con múltiples ollas y en múltiples estantes, asegúrese de que haya por lo menos 1 1/2" entre las ollas, a fin de dejar suficiente espacio para que fluya el aire.



El horno tiene 6 posiciones de estantes

Estantes del Horno

Es posible que su horno cuente con estantes extensibles y/o estantes planos tradicionales.

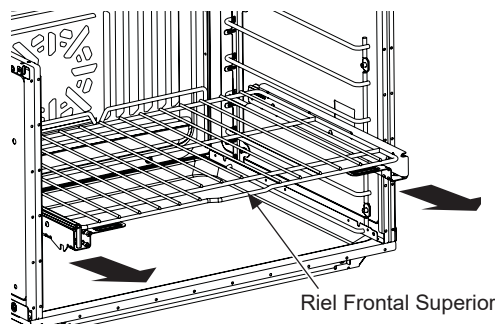
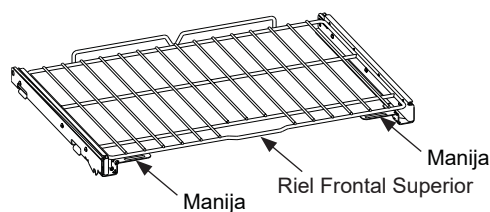
Para evitar posibles quemaduras, coloque los estantes en la posición deseada antes de encender el horno.

Estantes Extensibles

Los estantes extensibles cuentan con la función Install (Instalar), que se bloquea en los soportes de los estantes (guías) a ambos lados. Una vez que la función Install (Instalación) queda correctamente bloqueada, siempre empuje hacia afuera el estante desde el riel frontal superior hasta la posición de detención en su máxima extensión, al colocar o retirar utensilios.

Si resulta difícil extender estos estantes, lubrique los mismos con lubricante de grafito, provisto con el horno. Retire el estante del horno, retire cualquier obstrucción en el recorrido deslizante con una toalla de papel, agite el lubricante de grafito y coloque 4 gotitas en los dos recorridos inferiores de los lados izquierdo y derecho. Abra y cierre el estante varias veces para distribuir el lubricante.

Para ordenar más lubricante de grafito, consulte las secciones de Accesorios y Soporte al Consumidor al final de este manual.



Estantes del Horno (Cont.)

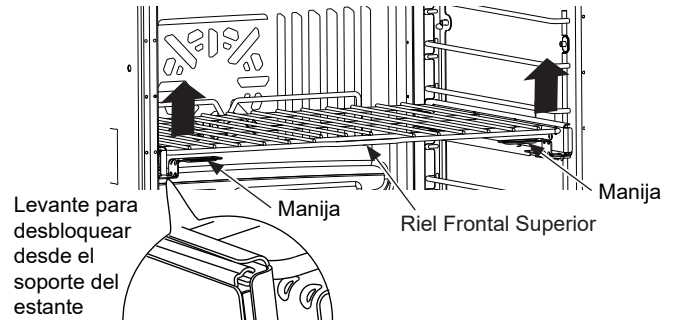
Para Retirar un Estante Extensible:

1. Asegúrese de que el estante sea empujado totalmente dentro del horno.
2. Tome el estante tanto desde su riel frontal superior como de sus manijas inferiores y levante directamente para desbloquear el estante de los soportes del estante.
3. De manera firme, mientras sostiene tanto el riel frontal superior como las manijas inferiores, empuje el estante hacia adelante. En caso de ser necesario, tome el estante sobre ambos lados. Luego retire el mismo del horno.

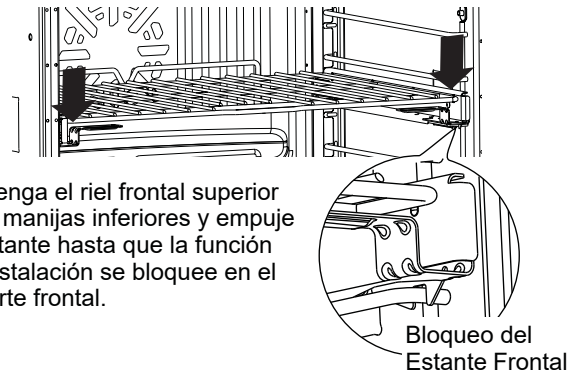
Para Reemplazar un Estante Extensible:

1. Coloque la posición trasera del estante sobre los soportes del estante (guías), como se muestra en la imagen.
2. Sostenga el riel frontal superior y las manijas inferiores y empuje el estante hasta que la función de instalación se bloquee en el soporte del estante frontal.

Si resulta difícil reemplazar o retirar los estantes extensibles, limpie los soportes de los estantes del horno con aceite de cocina. No quite el aceite de cocina del espacio de deslizamiento.



Función de Instalación



Estantes Planos Tradicionales

Los estantes poseen bloqueadores, de modo que al colocarlos correctamente sobre los soportes se detendrán antes de salirse completamente y no se inclinarán. Al colocar y retirar utensilios de cocina, empuje la parrilla hasta que se detenga.

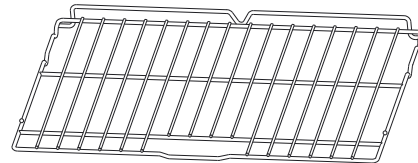
Para Retirar un Estante

Empuje el mismo hacia usted, incline el frente hacia arriba y empuje hacia afuera.

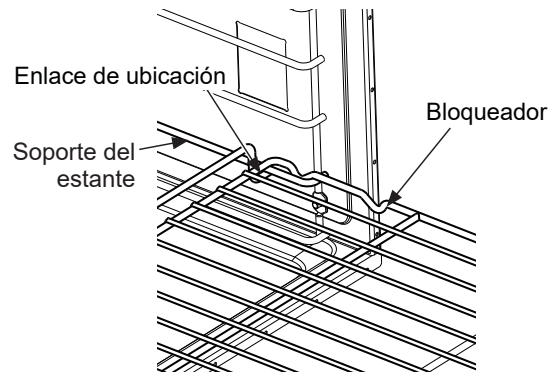
Para Reemplazar un Estante

Incline el frente del estante hacia arriba, cuelgue la parte trasera ubicando los enlaces debajo de los soportes de los estantes, empuje el estante hacia atrás (hasta trabarlo en los bloqueadores) y haga que descienda hasta su posición. Empuje el estante hasta que quede introducido completamente.

Si resulta difícil deslizar y/o retirar estantes planos, coloque un poco de aceite de cocina en una tela suave o en una toalla de papel y frote los costados del estante y cada soporte del mismo.



Estante plano



⚠ PRECAUCIÓN

Tenga cuidado al retirar un estante de la posición más baja, ya que la puerta podrá estar caliente.

Papel de Aluminio y Cobertores del Horno

⚠ PRECAUCIÓN

No use ningún tipo de aluminio o cobertor de horno para cubrir el fondo del horno. Estos ítems pueden atrapar el calor o derretirse, ocasionando daños sobre el producto y el riesgo de descargas, humo o incendios. Los daños por uso inadecuado de estos ítems no están cubiertos por la garantía del producto.

Se podrá usar aluminio para evitar derrames, colocando una hoja sobre un estante inferior varias pulgadas debajo de la comida. No use más aluminio que el necesario y nunca cubra totalmente el estante de un horno con papel de aluminio. Mantenga el aluminio a por lo menos 1 1/2" de las paredes del horno, para evitar una circulación deficiente del calor.

Modos de Cocción

Su nuevo horno posee una variedad de modos de cocción para que pueda obtener los mejores resultados. Estos modos se describen a continuación. Para acceder a recomendaciones para comidas específicas, consulte la sección de la Guía de Cocción. Recuerde que es posible que su nuevo horno funcione de manera diferente que aquel que está reemplazando.

Modos de Horneado y Dorado

Seleccione un modo para hornear y dorar basado en el tipo y cantidad de comida que está preparando. Al preparar comidas horneadas tales como tartas, galletas y masas, siempre precaliente el horno primero. Siga las recomendaciones de la receta sobre la colocación de la comida. Si no se brindan pautas, centre la comida en el horno.

Horneado Tradicional

El modo de horneado tradicional está pensado para la cocción en un solo estante. Este modo usa el calor principalmente desde el elemento inferior, pero también desde el elemento superior para cocinar la comida. Para usar este modo, seleccione **Bake (Hornear)** y luego seleccione una temperatura. El precalentamiento generalmente se recomienda al usar este modo.

Horneado por Convección con Aire Directo

El modo de horneado por convección está pensado para la cocción en un solo estante. Este modo utiliza el calor del elemento inferior y también de los elementos superior y trasero, junto con el movimiento de aire directamente descendente desde la parte superior del horno, para que la cocción sea más pareja. El horno está equipado con la función Auto Recipie Conversion (Conversión de Receta Automática); de modo que no es necesario convertir la temperatura al usar este modo. Para usar este modo, seleccione **Conv Bake 1 Rack (Hornear por Convección en 1 Estante)** y luego seleccione una temperatura. El precalentamiento generalmente se recomienda al usar este modo.

Horneado por Convección en Estantes Múltiples

El modo Convection Bake Multi Rack (Horneado por Convección en Estantes Múltiples) está pensado para hornear en múltiples estantes al mismo tiempo. Este modo utiliza el calor principalmente desde el elemento trasero, pero también calienta desde los elementos superior e inferior, junto con el movimiento de aire desde el ventilador por convección para mejorar una cocción pareja. El horno está equipado con la función Auto Recipie Conversion (Conversión de Receta Automática); de modo que no es necesario convertir la temperatura al usar este modo. Es posible que el tiempo de horneado sea un poco más prolongado con estantes múltiples, en comparación con lo que se espera con un solo estante. Para usar este modo, seleccione **Conv Bake Multi (Hornear por Convección Múltiple)** y luego seleccione una temperatura. Siempre realice el precalentamiento al usar este modo.

Dorado por Convección con Aire Directo

El modo Convection Roast (Dorado por Convección) está pensado para dorar cortes enteros de carne en un solo estante. Este modo utiliza el calor de los elementos inferior, superior y trasero, junto con el movimiento del aire directamente desde la parte superior del horno, a fin de mejorar el dorado y reducir el tiempo de cocción. No es necesario convertir la temperatura. Cuando use este modo, o si usa la sonda, controle la comida antes que el tiempo sugerido en la receta. Para usar este modo, presione la tecla **Roast (Dorar)** en **Convection (Convección)**, ingrese una temperatura, y luego presione **Start (Iniciar)**. No es necesario realizar el precalentamiento al usar este modo.

Modo para Asar

Siempre ase con la puerta cerrada. El elemento para asar en el horno es muy potente. Monitoree la comida de cerca al asar. Tenga cuidado al asar en posiciones de estantes superiores, ya que colocar la comida más cerca del elemento para asar incrementa el humo, salpicaduras y la posibilidad de que se incendien las grasas. **No se recomienda asar en el estante de la posición 6.**

Intente asar las comidas que normalmente haría a la parrilla. Ajuste las posiciones de los estantes para ajustar la intensidad del calor a la comida. Coloque las comidas más cerca del elemento para asar, cuando se desee una superficie más cocinada y un interior poco cocido. Las comidas más gruesas y las comidas cuyo interior debe

ser cocinado deberían ser asadas en un estante en una posición alejada del usado para asar, o usando las funciones Tradicional Broil Lo (Asado Tradicional Bajo) o Convection Broil Lo (Asado por Convección Bajo). Para un mejor rendimiento, centre la comida debajo del elemento calentador para asar.

Asado Tradicional Alto

El modo Traditional Broil Hi (Asado Tradicional Alto) usa calor intenso del elemento superior para soasar las comidas. Use la función Broil Hi (Asado Alto) para cortes más delgados de carne y/o comidas que prefiera que queden menos cocinadas en su interior. Para usar este modo, seleccione **High/Low Broil (Asar a Fuego Alto/ Bajo)** y luego seleccione **High Broil (Asar en Fuego Alto)**. No es necesario realizar el precalentamiento al usar este modo.

Asado Tradicional Bajo

El modo Traditional Broil Lo (Asado Tradicional Bajo) usa menos calor intenso del elemento superior para cocinar la comida completamente mientras también se realiza el dorado superficial. Use la función Broil Lo (Asado Bajo) para cortes de carne más gruesos y/o comidas que desee que queden completamente cocinadas. Para usar este modo, seleccione **High/Low Broil (Asar a Fuego Alto/ Bajo)** y luego seleccione **Low Broil (Asar en Fuego Bajo)**. No es necesario realizar el precalentamiento al usar este modo.

Asado por Convección Alto con Aire Directo

El modo Convection Broil Hi (Asado por Convección Alto) usa calor intenso desde el elemento superior, junto con el movimiento del aire directamente desde la parte superior del horno para mejorar la cocción y el dorado. Para usar este modo, seleccione **Convection Broil (Asar por Convección)** y luego seleccione **High Broil (Asar en Fuego Alto)**. Para obtener mejores resultados, precaliente durante 5 minutos al usar este modo.

Asado por Convección Bajo con Aire Directo

El modo Convection Broil Lo (Asado por Convección Bajo) usa calor menos intenso desde el elemento superior, junto con el movimiento del aire directamente desde la parte superior del horno. Para usar este modo, seleccione **Convection Broil (Asar por Convección)** y luego seleccione **Low Broil (Asar en Fuego Bajo)**. Para obtener mejores resultados, precaliente durante 5 minutos al usar este modo.

Asado por Convección Crocante con Aire Directo

El modo Convection Broil Crisp (Asado por Convección Crocante) está pensado como un modo de acabado al final del ciclo de cocción, para agregar dorado superficial a un plato tal como una cazuela o una barbacoa. Para usar este modo, seleccione **Low Broil (Asar a Fuego Bajo)** y luego seleccione **Low Broil (Asar en Fuego Bajo)**. Monitoree la comida de cerca para evitar un dorado excesivo.

Leudar

El modo Proof (Leudar) está diseñado para elevar (fermentar y leudar) masa de pan. Gire la perilla para hornear y luego presione la tecla **Proof (Leudar)**. Cubra bien la masa para evitar que se seque. El pan se elevará más rápidamente que a temperatura ambiente.

Calentar

El modo Warm (Calentar) está diseñado para mantener comidas calientes hasta durante 3 horas. Para usar este modo, seleccione **Bake (Hornear)** y luego seleccione **Warm (Caliente)**. Cubra las comidas que necesitan mantener la humedad y no cubra aquellas comidas que deberían quedar crocantes. No se requiere precalentar las mismas. No use la función Warm (Calentar) para calentar comida fría, excepto galletas crujientes, papas fritas o cereales secos. También se recomienda que la comida no se mantenga caliente por más de dos horas.

Sonda

▲ ADVERTENCIA

El consumo de comida semicruda puede hacer que se contraigan enfermedades producidas por la comida. Use la sonda de acuerdo con las siguientes instrucciones, a fin de asegurar que todas las partes de la comida alcancen temperaturas de cocción mínimamente seguras. Puede encontrar recomendaciones de temperaturas de cocción mínimamente seguras en www.foodsafety.gov o en www.IsItDoneYet.gov.

La temperatura interna de la comida con frecuencia se usa como indicador de que está lista, especialmente al dorar o preparar carne de ave. El modo Probe (Sonda) monitorea la temperatura interna de la comida y apaga el horno cuando esta última alcanza la temperatura programada.

Controle siempre la temperatura en múltiples partes de la comida, utilizando un termómetro de comidas luego de realizar la cocción, a fin de asegurar que todas las partes de la misma hayan alcanzado una temperatura interna mínimamente segura en dicha comida.

Ubicación Correcta de la Sonda

Luego de preparar la comida y de colocarla en la olla, siga estas instrucciones para una ubicación correcta de la sonda.

- Inserte la sonda en la comida, de modo que la punta de la sonda se apoye en el centro de la parte más gruesa de la comida. Para un mejor rendimiento, la sonda debería ser completamente insertada en la comida. Si la sonda no es ubicada correctamente, es posible que no mida con precisión la temperatura de la parte más fría de la comida. Algunas comidas, particularmente las más pequeñas, no son adecuadas para la cocción con el uso de una sonda, debido a sus formas o tamaños.
- No debería tocar el hueso, la grasa ni el cartilago.
- Para cocinar un ave entera, inserte la sonda en la parte más gruesa de la pechuga.
- Para dorar sin huesos, inserte la sonda en el centro del dorado.
- Para cocinar jamón o cordero con huesos, inserte la sonda en el centro de la articulación o del músculo más bajo y largo.
- Para preparar cazuelas o platos tales como pastel de carne, inserte la sonda en el centro del plato.
- Para cocinar pescado, inserte la sonda justo arriba de la agalla en la zona más carnosa paralela a columna.

Uso de la Sonda

Para usar la sonda sin precalentamiento:

1. Inserte la sonda en la comida (consulte sobre la Ubicación Correcta de la Sonda).
2. Coloque la comida en el horno y conecte la sonda en su correspondiente tomacorriente en el horno.
3. Programe la sonda y las configuraciones del modo de cocción deseados, presionando la tecla **Probe (Sonda)** y configurando la temperatura interna de la comida, girando la mini perilla y presionando la misma para ingresar la temperatura; luego configure el modo de cocción (**Traditional Bake (Horneado Tradicional)**, **Convection Bake (Hornear por Convección)**, o **Convection Roast (Dorar por Convección)**) y la temperatura de cocción deseada. La temperatura interna máxima de la comida que se puede configurar es 200° F.

Para usar la sonda con precalentamiento:

1. Presione la tecla del modo de cocción deseado (**Horneado Tradicional, Horneado por Convección, o Dorado por Convección**) e ingrese la temperatura de cocción deseada.
2. Inserte la sonda en la comida (consulte sobre la Ubicación Correcta de la Sonda).
3. Una vez que el horno fue precalentado, coloque la comida en el mismo y conecte la sonda en su correspondiente tomacorriente, asegurándose de que esté completamente insertada. Tenga cuidado, ya que las paredes del horno y el tomacorriente de la sonda están calientes.
4. Programe la temperatura de la sonda, presionando la tecla **Probe (Sonda)** y configurando la temperatura interna deseada para la comida, girando la mini perilla y presionando la misma para ingresar la temperatura. La temperatura interna máxima de la comida que se puede configurar es 200° F.

Pautas para el Cuidado de la Sonda

- Si se usa una sonda que no sea la provista con este producto, se podrán producir daños sobre la sonda.
- Use las manijas de la sonda al enchufar y desenchufar la misma, luego de insertar o de retirar la sonda de la carne o del tomacorriente.
- Para evitar daños sobre la sonda, no use agarraderas para empujar el cable al retirarlo.
- Para evitar romper la sonda, asegúrese de que la comida haya sido completamente descongelada antes de insertarla.
- Para evitar posibles quemaduras, no desenchufe la sonda del tomacorriente del horno hasta que este último se haya enfriado.
- Nunca deje la sonda dentro del horno durante un ciclo de limpieza automática o de limpieza con vapor.
- No guarde la sonda dentro del horno.

Utensilios

Pautas de Uso de Utensilios

El material, el acabado y el tamaño de los utensilios afectan el horneado.

Las ollas oscuras, revestidas y opacas absorben el calor más rápidamente que las ollas claras y brillantes. Al usar ollas que absorben el calor más rápidamente, las comidas podrán resultar más doradas, crocantes y con una capa más gruesa.

Si utiliza utensilios oscuros y revestidos, controle la comida antes del tiempo mínimo de cocción. Si se obtienen resultados no deseados con este tipo de utensilios, considere la posibilidad de reducir la temperatura del horno en 25° F la próxima vez.

Las ollas brillantes pueden producir resultados de horneado más parejos en tortas y galletas.

Las ollas de vidrio y cerámica calientan con lentitud, pero retienen bien el calor.

Estos tipos de ollas funcionan bien con platos tales como tartas y postres con natilla.

Las ollas con aislante de aire calientan lentamente y pueden producir fondos dorados.

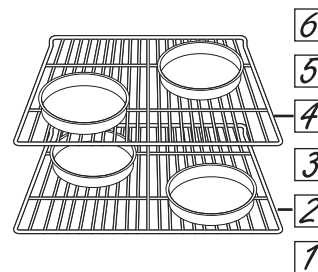
Mantenga los utensilios limpios para una cocción más pareja.

Guía de Cocción

TIPO DE COMIDA	MODO(S) RECOMENDADO(S)	POSICIÓN(ES) DE ESTANTES RECOMENDADA	SUGERENCIAS ADICIONALES
Productos Horneados			
Tortas con capas, tortas rectangulares, roscas, panecillos, pan rápido en un Solo Estante	Horneado por Convección Horneado Tradicional	3	Use utensilios brillantes.
Tortas con capas* en Múltiples Estantes	Horneado por Convección Múltiples Estantes Horneado Tradicional	2 y 4	Asegúrese de que haya un flujo de aire adecuado (Vea la ilustración).
Tortas de grasa (pastel de ángel)	Horneado por Convección Horneado Tradicional	1	Posición 4 del estante extensible y posición 2 del estante plano para 2 estantes; posición 5 para el estante plano para 3 estantes. Use utensilios brillantes.
Galletas, galletitas, bizcochitos en un Solo Estante	Horneado por Convección	3	Use utensilios brillantes.
Galletas, galletitas, bizcochitos en Múltiples Estantes	Horneado por Convección Múltiples Estantes	2 y 4 1, 3 y 5	Posición 4 del estante extensible y posición 2 del estante plano para 2 estantes; posición 5 para el estante plano para 3 estantes. Asegúrese de que haya un flujo de aire adecuado.
Bife y Cerdo			
Hamburguesas	Asado Tradicional Alto	5	Use el estante extensible; para hamburguesas espaciadas de forma pareja en una olla con parrilla para asar a fin de obtener una parte externa bien soasada y una parte interna poco cocida, cocine el primer lado aproximadamente 3 minutos y cocine el segundo lado aproximadamente 4 minutos. Mueva la comida hacia abajo para que quede más preparada y menos soasada. Para un mejor rendimiento, centre la comida debajo del elemento que emite calor para asar.
Bifes y Chuletas	Asado por Convección Alto Asado Tradicional Alto	5	Use una olla para asar; precaliente 5 minutos si usará el Modo para Asar por Convección. Mueva la comida hacia abajo para que quede más preparada y menos soasada. Preste atención a la comida al asarla. Para un mejor rendimiento, centre la comida debajo del elemento calentador para asar.
Dorados	Dorado por Convección	2 o 3	Use una olla chata tal como una olla para asar. No se requiere precalentarla. Use la función sonda.
Ave			
Pollo entero	Dorado por Convección	2 o 3	Use una olla chata tal como una olla para asar. Use la función sonda.
Pechugas, patas, muslos con huesos	Asar Alto	1	Si se empanó o cubrió con salsa, evite los modos Broil Hi (Asar Alto). Ase del lado de la piel hacia abajo primero. Preste atención a la comida al asarla. Para un mejor rendimiento, centre la comida debajo del elemento calentador para asar.
	Asado Bajo Horneado por Convección Horneado Tradicional	3	
Pechugas de pollo deshuesadas	Asado por Convección Bajo Horneado por Convección Horneado Tradicional	3	Precaliente durante 5 minutos si usará la Función de Asado por Convección. Mueva la comida más abajo para que quede más preparada y menos soasada y más arriba para soasar/ dorar al asar. Para un mejor rendimiento, centre la comida debajo del elemento calentador para asar.
Pavo entero	Dorado por Convección	1 o 2	Usa una olla chata tal como una olla para asar. Use la función sonda.
Pechuga de Pavo	Dorado por Convección	2 o 3	Use una olla chata tal como una olla para asar. Use la función sonda.
Pescado	Asado por Convección Bajo Asado Bajo	5 (mitad del grosor o menos) 4 (>1/2 pulgada)	Precaliente 5 minutos al Asar por Convección. Preste atención a la comida al asarla. Para un mejor rendimiento, centre la comida debajo del elemento calentador para asar.
Cazuelas	Horneado por Convección Horneado Tradicional	3	Use el modo Convection Broil Crisp (Asado por Convección Crocante) durante los últimos 2 a 5 minutos del horneado para derretir/ dorar quesos o superficies crocantes.
Comidas Congeladas a Conveniencia			
Pizza, papas fritas, tator tots, patitas de pollo fritas, aperitivos en un Solo Estante	Horneado por Convección Horneado Tradicional	3	Use el modo Convection Broil Crisp (Asado por Convección Crocante) durante los últimos 2 a 5 minutos de cocción para dejar crocante la parte exterior.
Pizza, papas fritas, tator tots, patitas de pollo fritas, aperitivos en Múltiples Estantes	Horneado por Convección Múltiples Estantes	2 y 4	Posición 4 del estante extensible y posición 2 para el estante plano. Si usará el modo Crisp (Crocante), coloque ambas ollas en el estante superior si el espacio lo permite; de otra forma prepare una por vez en el estante superior.

*Al hornear cuatro tortas con capas a la vez, use los estantes 2 y 4. Coloque las ollas como se muestra, de modo que no quede una olla encima de la otra.

Cocine la comida completamente para evitar que se produzcan enfermedades a partir de la comida. Puede encontrar recomendaciones sobre temperatura mínima para cocinar de forma segura en www.IsItDoneYet.gov. Asegúrese de usar un termómetro de comidas para medir la temperatura de las mismas.



Horno

Asegúrese de que la corriente eléctrica esté apagada y que todas las superficies estén frías antes de limpiar cualquier parte del horno.

Panel de Control

Una buena idea es limpiar el panel de control luego de cada uso. Limpie con un jabón suave y agua o vinagre y agua, enjuague con agua limpia y pule en seco con una tela suave.

No use limpiadores abrasivos, limpiadores líquidos fuertes, almohadillas para fregar de plástico ni limpiadores de horno en el panel de control; dañarán el acabado.

Exterior del Horno

No use limpiadores de horno, limpiadores abrasivos, limpiadores líquidos fuertes, estropajos de acero, almohadillas para fregar de plástico, ni polvos limpiadores en el interior o el exterior del horno. Limpie el mismo con agua y jabón o una solución de vinagre y agua. Enjuague con agua limpia y seque con una tela seca. Al limpiar superficies, asegúrese de que estén a temperatura ambiente y fuera del contacto con

la luz solar. Si las manchas en el borde de la ventana de la puerta son persistentes, use un limpiador abrasivo suave o una esponja con estropajo para obtener un mejor resultado. El derrame de adobo, jugos de fruta, salsas de tomate y líquidos para humedecer que contengan ácidos pueden ocasionar descoloración y se deberán limpiar de inmediato. Deje que las superficies calientes se enfríen, y luego limpie y enjuague.

Superficies de Acero Inoxidable

No use virutas de acero; éstas dañarán la superficie. Para limpiar la superficie de acero inoxidable, use agua tibia con jabón o un limpiador o pulidor para acero inoxidable. Siempre limpie la superficie en la dirección del veteado. Siga las instrucciones del limpiador para limpiar la superficie de

acero inoxidable. Para realizar consultas sobre la adquisición de productos, incluyendo limpiadores o pulidores para electrodomésticos de acero inoxidable, consulte las secciones de Accesorios y Soporte al Consumidor al final de este manual.

Interior del Horno

El interior de su nuevo horno puede ser limpiado de forma manual o utilizando los modos Steam Clean (Limpieza con Vapor) o Self Clean (Limpieza Automática).

El derrame de adobo, jugos de fruta, salsas de tomate y líquidos para humedecer que contengan ácidos pueden ocasionar descoloración y se deberán limpiar de inmediato. Espere a que las superficies calientes se enfríen, y luego limpie y enjuague.

Limpieza Manual

No use limpiadores de horno, limpiadores abrasivos, limpiadores líquidos fuertes, estropajos de acero, almohadillas para fregar, ni polvos limpiadores en el interior del horno. Limpie el mismo con agua y jabón o una solución de vinagre y agua. Enjuague con agua limpia y seque con una tela seca. Al limpiar superficies, asegúrese de que estén a temperatura ambiente y fuera del contacto con la luz solar.

Modo de Limpieza con Vapor

La limpieza con vapor está pensada para limpiar pequeños derrames usando agua y a una temperatura de limpieza más baja que la función Self-Clean (Limpieza Automática).

Para usar la función Steam Clean (Limpieza con Vapor), limpie las grasas y suciedades del horno. Vierta una taza de agua en la parte inferior del horno. Cierre las puertas. Seleccione **Clean (Limpiar)** con ambas perillas. Gire la mini perilla para seleccionar la limpieza con vapor. "Add H2O" (Agregar H2O) aparecerá en la pantalla. Gire la mini perilla para iniciar la limpieza con vapor. Las puertas del horno se trabarán. No podrá abrir las puertas durante los 30 minutos de la limpieza con vapor, ya que esto reducirá su rendimiento. Al finalizar el ciclo de limpieza al vapor, las puertas se destrabarán. Limpie cualquier exceso de agua y cualquier suciedad que haya quedado.

Modo de Limpieza Automática

Lea las Instrucciones de Seguridad del Horno con Limpieza Automática, en el comienzo de este manual antes de usar el modo Self Clean (Limpieza Automática).

IMPORTANTE: Las emanaciones producidas por el ciclo de autolimpieza de cualquier horno afectan la salud de algunas aves de manera notoria. Procure llevar sus aves a otra habitación bien ventilada.

Este modo usa temperaturas muy altas para limpiar el interior del horno. Cuando use esta función, las puertas del horno se trabarán. Antes de utilizar el ciclo de limpieza automática, limpie la grasa y restos de comida que haya en el horno. Use una tela seca para limpiar manualmente el extremo interno de las puertas y un área de 2" alrededor del extremo interno de la puerta del horno. Retire todos los artículos del horno, excepto los estantes esmaltados (color oscuro). Los estantes brillantes o de plata, la sonda de carnes, y cualquier utensilio u otros artículos deberían ser retirados del horno antes de iniciar un ciclo de limpieza automática. Cierre las puertas. Seleccione **Clean (Limpiar)** con ambas perillas. Gire la mini perilla para seleccionar la limpieza automática. Gire la mini perilla para ajustar el tiempo de limpieza entre 3:00 y 5:00 horas o use el tiempo por omisión; presione la mini perilla para ingresar el tiempo de limpieza y para iniciar la limpieza automática. Cuando el nivel de suciedad en el horno sea muy alto, se recomienda usar el tiempo de limpieza máximo de 5 horas. El horno se apagará de forma automática cuando el ciclo de limpieza automática sea completado. Las puertas permanecerá bloqueada hasta que el horno se haya enfriado. Una vez que el horno se haya enfriado, limpie cualquier ceniza que haya quedado en el horno. En los modelos de horno doble, puede configurarse el ciclo de limpieza en ambos hornos al mismo tiempo. El último horno en configurarse automáticamente retardará su inicio hasta la finalización del ciclo de limpieza del primer horno. En los modelos de horno doble, se puede hornear en un horno y efectuar la auto-limpieza en el otro al mismo tiempo. Sin embargo, no puede usarse la configuración de modo PROOF (leudado) en un horno mientras el otro se halla realizando la auto-limpieza.

Estantes del Horno

Los estantes que fueron provistos con el horno (estantes oscuros esmaltados, no brillantes) pueden permanecer en el horno durante el ciclo de limpieza automática, ya que este ciclo no los dañará.

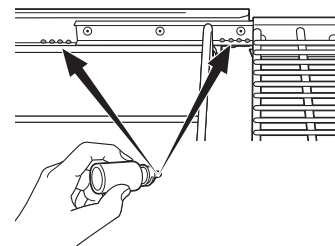
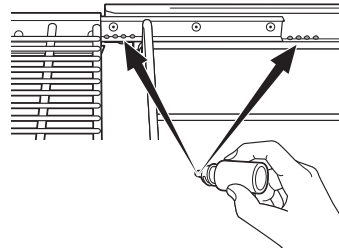
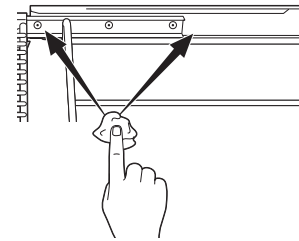
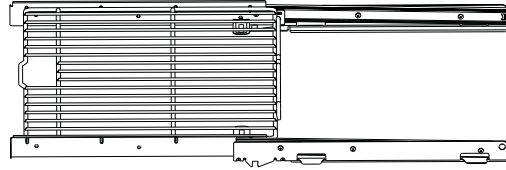
Para limpiar los estantes de forma manual, use agua caliente y jabón. Asegúrese de no lavar el espacio de deslizamiento de un estante extensible.

Si resulta difícil retirar los estantes del horno, coloque un poco de aceite vegetal en una tela seca o toalla de papel y frote sobre los soportes de los estantes del horno. No limpie el aceite en el espacio de deslizamiento del estante extensible.

De forma periódica, luego de varios ciclos de limpieza automática, los espacios de deslizamiento del estante extensible deberán ser lubricados utilizando lubricante de grafito, enviado junto con su horno de pared. Para ordenar más lubricante de grafito, consulte las secciones de Accesorios y Soporte al Consumidor al final de este manual.

1. Retire el estante extensible del horno. Consulte la sección de Estantes Extensibles del Horno.
2. Extienda totalmente el estante sobre una mesa o mesada. Se podrá colocar papel de periódico debajo del estante para una limpieza fácil.
3. Si hay restos en las pistas de deslizamiento, limpie los mismos con una toalla de papel. **NOTA:** Cuando el lubricante de grafito se haya acabado, deberá ser reemplazado.
4. Agite el lubricante de grafito antes de abrir el mismo. Comenzando con el mecanismo de deslizamiento del lado izquierdo del estante, coloque cuatro (4) gotas pequeñas de lubricante en los dos (2) espacios inferiores de deslizamiento, cerca de los rulemanes de apoyo.
5. Repita esto sobre el mecanismo del lado derecho del estante.
6. Abra y cierre el estante varias veces para distribuir el lubricante.
7. Reemplace la tapa del lubricante y agite el mismo nuevamente. Dé vuelta el estante y repita los pasos 3, 4, 5 y 6.
8. Cierre el estante, gire el estante con el lado derecho hacia arriba y coloque el mismo en el horno. Consulte la sección de Estantes Extensibles del Horno..
9. Repita los pasos anteriores con cada estante.

NOTA: No rocíe con esprái de cocina o cualquier otro lubricante en esprái

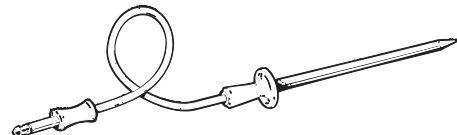


Sonda

La sonda de temperatura se puede limpiar con agua y jabón o con una almohadilla de estropajo llena de jabón. Enfríe la sonda de temperatura antes de su limpieza. Fregue las manchas difíciles con una almohadilla de estropajo llena de jabón, enjuague y seque.

Para ordenar sondas de temperatura adicionales, consulte las secciones de Accesorios y Soporte al Consumidor al final de este manual.

- No sumerja la sonda de temperatura en agua.
- No guarde la sonda de temperatura dentro del horno.
- Nunca deje la sonda de temperatura dentro del horno durante un ciclo de limpieza automática o de limpieza con vapor.



Luz del Horno

Reemplazo de la Lámpara del Horno

⚠ ADVERTENCIA **PELIGRO DE DESCARGA O QUEMADURAS:** Antes de reemplazar la lámpara de luz del horno, desconecte la conexión eléctrica del horno del fusible principal o del panel del disyuntor. Si esto no se cumple, se podrá producir una descarga eléctrica o un incendio.

⚠ PRECAUCIÓN **RIESGO DE INCENDIO:** La tapa de vidrio y la lámpara de luz se deberán retirar cuando estén frías. Tocar el vidrio caliente sin protección en las manos o con un trapo húmedo puede ocasionar quemaduras.

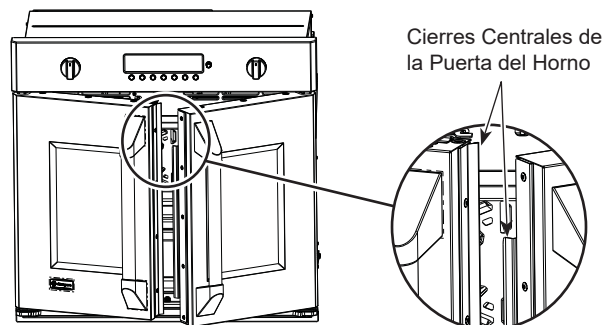
1. Desconecte la corriente desde el fusible principal o el panel del disyuntor.
2. Retire los estantes del horno.
3. Deslice un destornillador de punta plana entre la caja y la tapa de luz de vidrio.
4. Apoye la tapa de luz de vidrio con dos dedos para evitar que se caiga al fondo del horno. Tenga cuidado de no astillar la cubierta del horno.
5. De forma suave, gire la punta del destornillador para aflojar la tapa de luz de vidrio.
6. Retire la tapa de luz de vidrio.
7. Retire la lámpara sosteniendo firmemente y deslizando la misma hacia afuera, hasta que las dos clavijas hayan dejado el soporte de cerámica.
8. No toque el vidrio de la nueva lámpara con los dedos. Esto hará que la lámpara falle al dar luz. Tome la lámpara de reemplazo con una toalla limpia o un pañuelo de papel con las clavijas hacia abajo. Aliñe las dos clavijas en el soporte de cerámica, presionando suavemente hasta que la lámpara quede asegurada en la ficha de cerámica.
9. Deslice las lentes protectoras del soporte y presione hasta que las pinzas queden enganchadas en la caja.
10. Vuelva a conectar la corriente.

Puertas de Horno

Sellos Centrales de la Puerta Superior del Horno

Si observa que los cierres centrales de las dos puertas se descolorean y esto no puede ser eliminado con agua caliente y jabón y una tela suave, use un limpiador de acero inoxidable que elimine la decoloración y/o el deslustre producido por el calor.

No use limpiadores abrasivos, almohadillas de estropajo, limpiadores comerciales para horno u objetos puntiagudos para intentar limpiar los cierres centrales, ya que esto puede dañar estas partes de la puerta.



Puertas Superiores del Horno

Las puertas francesas del horno no son extraíbles ni pueden ser reparadas por el consumidor. Programe la visita del servicio técnico a través de Internet en

www.geappliances.com/service_and_support/

O llame a GE Appliances al 800.GE.CARES (800.432.2737) durante el horario de atención comercial.

Puertas de Horno (Cont.)

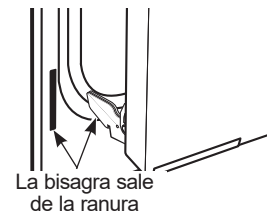
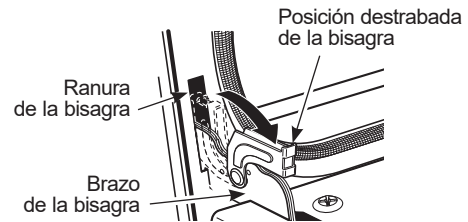
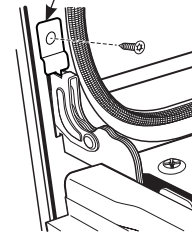
Retiro de la Puerta Inferior del Horno (Recomendado)

NOTA: La remoción de la puerta no es un requerimiento de la instalación del producto, pero es una comodidad adicional.

Para quitar la puerta:

1. Abra la puerta del horno en su totalidad.
2. Retire el soporte de la bisagra de la estructura frontal y déjelo a un lado. El soporte de la bisagra debe ser colocado nuevamente para un funcionamiento apropiado de la puerta cuando está última sea reinstalada.
3. Presione ambas trabas de la bisagra hacia abajo en dirección del marco de la puerta hasta destrabarlas. Para esto puede hacer falta un destornillador de lados planos. **¡NO LEVANTE LA PUERTA DE LA MANIJA!**
4. Coloque las manos sobre ambos lados y cierre la puerta del horno hasta la posición de remoción (aproximadamente 1"-2" [2,5 cm-5,1 cm] de la posición de cierre).
5. Levante la puerta hasta que los brazos de la bisagra hayan salido de las ranuras. **NOTA:** La puerta del horno es muy pesada. Asegúrese de tener un agarre firme antes de levantar la puerta del horno de sus bisagras. Tenga cuidado una vez que haya quitado la puerta. No deposite la puerta sobre la manija. Esto puede provocar abolladuras o rayones.

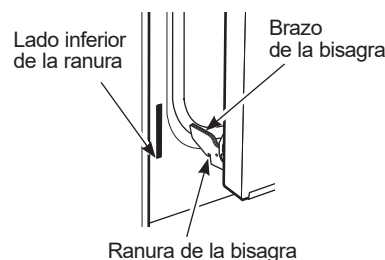
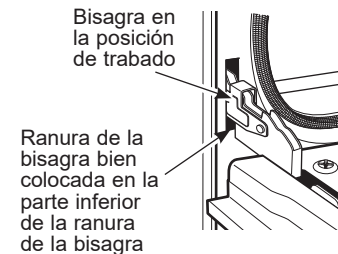
Soporte de la Bisagra



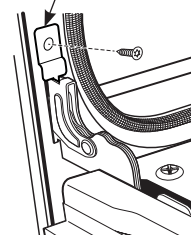
Reemplazo de la Puerta Inferior del Horno

NOTA: La puerta del horno es pesada. Puede necesitar ayuda para levantar la puerta lo suficiente como para deslizarla dentro de las ranuras de la bisagra. No levante la puerta de la manija.

1. Levante la puerta del horno tomándola de ambos lados.
2. Con la puerta en el mismo ángulo de la posición de remoción (aproximadamente 1"-2" [2,5 cm-5,1 cm] desde la posición de cerrado), introduzca la muesca del brazo de la bisagra dentro del extremo inferior de la ranura de la bisagra. La ranura del brazo de la bisagra debe estar bien colocada en la parte inferior de la ranura.
3. Abra la puerta por completo. Si la puerta no se abre por completo, la muesca no está bien colocada en el extremo inferior de la ranura.
4. Presione las trabas de la bisagra hacia arriba contra el armazón frontal de la cavidad del horno, hasta alcanzar la posición de trabado.
5. Reemplace el soporte de la bisagra. El soporte de la bisagra debe ser colocado nuevamente para un funcionamiento apropiado de la puerta.
6. Cierre la puerta del horno.



Soporte de la Bisagra


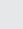



Consejos para la Solución de Problemas... Antes de solicitar el servicio técnico

¡Ahorre tiempo y dinero! Primero revise los cuadros que aparecen en las siguientes páginas y es posible que no necesite solicitar reparaciones.

Problema	Causa Posible	Qué Hacer
Mi horno nuevo no cocina como el anterior. ¿Hay algún problema con las configuraciones de temperatura?	Su horno nuevo cuenta con un sistema de cocción diferente con relación al anterior y, por lo tanto, es posible que cocine de forma diferente.	En los primeros usos, use los tiempos y temperaturas de su receta con cuidado. Si aún piensa que su horno nuevo cocina con demasiado calor o demasiado frío, podrá ajustar el termostato usted mismo para aplicar su preferencia de cocción específica. Para ajustar la temperatura del horno, consulte la sección de Funciones Especiales. NOTA: Este ajuste afecta las temperaturas de los modos Traditional Bake (Horneado Tradicional), Convection Bake (Hornear por Convección) y Convection Bake Multi (Horneado por Convección Múltiple); éste no afectará los modos Convection Roast (Dorar por Convección), Traditional Broil (Asado Tradicional), Convection Broil (Asar por Convección) o Clean (Limpiar).
La comida no se hornea de forma apropiada	Controles del horno configurados de forma incorrecta.	Consulte la sección Modos de Cocción.
	La posición del estante es incorrecta o el estante no está nivelado.	Consulte la sección Modos de Cocción y la Guía de Cocción.
	Uso de una cacerola incorrecta o de una cacerola de tamaño incorrecto.	Consulte la sección Utensilios.
	La temperatura del horno debe ser ajustada.	Consulte la sección Funciones Especiales.
	Sustitución de ingredientes	Sustituir ingredientes puede modificar el resultado de la receta.
La comida no asa de forma apropiada	Controles del horno configurados de forma incorrecta.	Asegúrese de seleccionar el modo correcto para asar. NOTA: El modo para cocción crocante por convección no es para asar comidas.
	Se usó una posición incorrecta del estante.	Para acceder a sugerencias de ubicación de estantes, consulte la Guía de Cocción.
	Se cocinó comida en una olla caliente.	Asegúrese de que el utensilio esté frío
	Utensilio de cocina inadecuado para asar.	Use una olla específicamente diseñada para asar
	El papel de aluminio usado para la olla y la rejilla para asar no se ajustó ni cortó de forma apropiada, según lo recomendado.	Si usará papel de aluminio, deberá usarse conforme con las aberturas de la olla.
En algunas áreas, es posible que el nivel de corriente (voltaje) sea bajo.	Precaliente el elemento para asar durante 10 minutos.	
La temperatura del horno es demasiado caliente o demasiado fría	La temperatura del horno debe ser ajustada.	Consulte la sección Funciones Especiales.
El horno no funciona o parece no funcionar	Es posible que un fusible de su hogar se haya quemado o que el disyuntor se haya desconectado.	Reemplace el fusible o reinicie el disyuntor.
	Controles del horno configurados de forma incorrecta.	Consulte la sección Uso del Horno.
	El reloj está apagado o el modo de reposo se encuentra activado.	Consulte la sección Funciones Especiales.
	El horno se encuentra en Sabbath Mode (Modo Sabático)	Verifique que el horno no esté en Sabbath Mode (Modo Sabático). Consulte la sección Funciones Especiales.
Sonido de “chisporroteo” o “traqueo”	Éste es el sonido de metal calentándose o enfriándose durante las funciones de cocción y limpieza..	Esto es normal.
¿Por qué la estufa hace un sonido de “clic” cuando uso el horno?	Su estufa fue diseñada para mantener un control más ajustado sobre la temperatura del horno. Es posible que escuche que los elementos de calentamiento del horno hagan sonidos de “clic” con mayor frecuencia que con hornos más antiguos para lograr mejores resultados durante los ciclos de horneado, asado, convección y limpieza automática.	Esto es normal.
El reloj y el temporizador no funcionan	Es posible que un fusible de su hogar se haya quemado o que el disyuntor se haya desconectado.	Reemplace el fusible o reinicie el disyuntor.
	La función de pantalla en modo de reposo se encuentra activada o la configuración del reloj está apagada.	Consulte la sección Funciones Especiales.

Consejos para la Solución de Problemas... Antes de solicitar el servicio técnico

Problema	Causa Posible	Qué Hacer
La luz del horno no funciona	La lámpara está floja o presenta defectos.	Llame al servicio técnico.
	La luz de funcionamiento del interruptor está rota.	Llame al servicio técnico.
El modo de limpieza automática del horno no funciona	La temperatura del horno es demasiado caliente como para configurar la limpieza automática.	Espere a que el horno se enfríe y reinicie los controles.
	Los controles del horno están configurados de forma incorrecta.	Consulte la sección de Limpieza del Horno.
Exceso de humo durante un ciclo de limpieza	Suciedad o grasa excesiva.	Gire ambas perillas a OFF (Apagar). Abra las ventanas para liberar el humo en la habitación. Espere hasta que la luz de la función LOCKED (Bloqueado) desaparezca. Limpie el exceso de suciedad y reinicie el ciclo de limpieza.
Humo excesivo al asar	La comida está demasiado cerca del quemador.	Baje la posición del estante con comida.
La puerta del horno no se abrirá luego de un ciclo de limpieza	El horno está demasiado caliente.	Espere a que el horno se enfríe por debajo de la temperatura de bloqueo.
El horno no limpia luego de un ciclo de limpieza	Los controles del horno están configurados de forma incorrecta.	Consulte la sección de Limpieza del Horno.
	El horno estaba demasiado sucio.	Limpie derrames excesivos antes de iniciar el ciclo de limpieza. Es posible que, en hornos con mucha suciedad, sea necesario usar la limpieza automática nuevamente o usarla durante un período de tiempo más prolongado.
"DOOR  titila en la pantalla	El ciclo de limpieza automática fue seleccionado pero la puerta no está cerrada.	Cierre la puerta del horno. Espere a que la puerta del horno finalice el bloqueo.
	"DOOR  (Puerta) titilará mientras la puerta del horno está bloqueada para iniciar el ciclo de autolimpieza y vapor.	Esto es normal.
La luz "DOOR  " está encendida cuando desea cocinar.	La puerta del horno está bloqueada debido a que la temperatura interior del horno no descendió por debajo de la temperatura de bloqueo.	Deje que el horno se enfríe.
"F – y un número o letra" titila en la pantalla	Tiene un código de error de función.	Presione la mini perilla. Permita que el horno se enfríe durante una hora. Vuelva a poner el horno en funcionamiento.
	Si el código de función se repite.	Desconecte totalmente la corriente de la cocina durante por lo menos 30 minutos y vuelva a conectar la misma. Si el código de error de función se repite, llame al servicio técnico.
La pantalla queda en blanco	Es posible que un fusible de su hogar se haya quemado o que el disyuntor se haya desconectado.	Reemplace el fusible o reinicie el disyuntor.
	El reloj está apagado.	Consulte la sección Funciones Especiales.
	El horno se encuentra en Sabbath Mode (Modo Sabático)..	Verifique que el horno no esté en Sabbath Mode (Modo Sabático). Consulte la sección Funciones Especiales.
Corte de corriente, el reloj titila	Corte o exceso de corriente	Reinicie el reloj. Si el horno estuvo en uso, debe reiniciar el mismo presionando la mini perilla, configurando el reloj y reiniciando cualquier función de cocción.
Olor a "quemado" o "aceite" desde la ventilación	Esto es normal en un horno nuevo y desaparecerá con el tiempo.	Para acelerar el proceso, configure un ciclo de limpieza automática por un mínimo de 3 horas. Consulte la sección de Limpieza del Horno.
Olor fuerte	Un olor en la aislación alrededor del interior del horno es normal desde las primeras veces en que el horno es usado.	Esto es temporario y desaparecerá luego de varios usos o de un ciclo de limpieza automática.
Ruido del ventilador	Es posible que un ventilador de enfriamiento se active automáticamente.	Esto es normal. El ventilador de enfriamiento se encenderá para enfriar las partes internas. Es posible que funcione hasta durante una hora y media, una vez que el horno se haya apagado.
La puerta de vidrio del horno parece estar "teñida" o tener un color "arcoíris". ¿Es esto un defecto?	No. El vidrio del horno interno está cubierto con una barrera de calor que refleja este último nuevamente hacia el horno, a fin de evitar la pérdida de calor y de mantener fría la puerta externa mientras se hornea.	Esto es normal. Bajo ciertas luces y ángulos, es posible que visualice esta tinta o arcoíris.

Consejos para la Solución de Problemas... Antes de solicitar el servicio técnico

Problema	Causa Posible	Qué Hacer
A veces el horno tarda más en precalentarse a la misma temperatura	Utensilio o comida en el horno	El utensilio o la comida en el horno hará que éste tarde más en precalentarse. Retire estos artículos para reducir el tiempo de precalentamiento.
	Número de estantes en el horno	Agregar más estantes al horno hará que éste tarde más en precalentarse. Retire algunos estantes.
	Diferentes modos de cocción	Los diferentes modos de cocción utilizan diferentes métodos de precalentamiento para calentar el horno en un modo de cocción específico. Algunos modos tardarán más que otros (tales como: horneado por convección múltiple).
El horno no funciona en forma remota	Problemas en el enrutador, no hay señal inalámbrica, etc.	Para solicitar asistencia con la conectividad de red inalámbrica, comuníquese al 1-800-220-6899.
	El horno no está conectado.	

Garantía del Horno Eléctrico de Pared GE Appliances

GEAppliances.com

Todo el servicio de garantía es provisto por nuestros Centros de Servicio de Fabricación, o un técnico autorizado de Customer Care®. Para programar una visita del servicio técnico a través de Internet, visítenos en www.geappliances.com/service_and_support/, o llame a GE Appliances al 800.GE.CARES (800.432.2737). Cuando llame para solicitar el servicio, tenga los números de serie y modelo disponibles.

Para realizar el servicio técnico de su electrodoméstico, se podrá requerir el uso de datos del puerto de abordaje para su diagnóstico. Esto da al técnico del servicio de fábrica de GE Appliances la habilidad de diagnosticar de forma rápida cualquier problema con su electrodoméstico, y de ayudar a GE Appliances a mejorar sus productos al brindarle a GE Appliances la información sobre su electrodoméstico. Si no desea que los datos de su electrodoméstico sean enviados a GE Appliances, solicitamos que le indique a su técnico no entregar los datos a GE Appliances en el momento del servicio.

Por el Período de	GE Appliances reemplazará
Un Año Desde la fecha de la compra original	Cualquier parte del horno de pared que falle debido a un defecto en los materiales o la fabricación. Durante esta garantía limitada de un año , GE Appliances también proveerá, sin costo , todo el trabajo y el servicio en el hogar para reemplazar la parte que presente defectos.

Qué no cubrirá GE Appliances:

- Viajes del técnico del servicio a su hogar para enseñarle sobre cómo usar el producto.
- Instalación, entrega o mantenimiento inadecuados.
- Fallas del producto en caso de abuso, mal uso, modificación o uso para propósitos diferentes al original o uso comercial.
- Reemplazo de fusibles de la casa o reinicio de disyuntores.
- Daños ocasionados sobre el producto por accidente, incendio, inundaciones o catástrofes naturales.
- Daños incidentales o consecuentes causados por posibles defectos sobre este producto.
- Daño causado después de la entrega.
- Producto no accesible para brindar el servicio requerido.
- Solicite el servicio técnico para reparar o reemplazar las lámparas, excepto las lámparas LED.

EXCLUSIÓN DE GARANTÍAS IMPLÍCITAS

Su única y exclusiva alternativa es la reparación del producto, como se indica en la Garantía Limitada. Las garantías implícitas, incluyendo garantías implícitas de comerciabilidad o conveniencia sobre un propósito particular, se limitan a un año o al período más corto permitido por la ley.

Esta garantía se extiende al comprador original y a cualquier dueño subsiguiente de productos comprados para uso hogareño dentro de EE.UU. Si el producto está en un área donde no se encuentra disponible un Proveedor Autorizado del Servicio Técnico de GE Appliances, usted será responsable por el costo de un viaje o se podrá requerir que traiga el producto a una ubicación del Servicio Técnico de GE Appliances autorizado para recibir el servicio. En Alaska, la garantía excluye el costo de envío o llamadas del servicio a su hogar. Algunos estados no permiten la exclusión o limitación de daños fortuitos o consecuentes. Esta garantía le da derechos legales específicos y es posible que tenga otros derechos legales que varían entre un estado y otro. Para conocer cuáles son sus derechos legales, consulte a la oficina de asuntos del consumidor local o estatal o al Fiscal de su estado.

Garante: GE Appliances, a Haier company

Garantías Extendidas: Adquiera una garantía extendida de GE Appliances y conozca los descuentos especiales que están disponibles mientras su garantía aún está vigente. Puede acceder a la misma a través de Internet en cualquier momento en

www.geappliances.com/service_and_support/shop-for-extended-service-plans.htm

o llamando al 800.626.2224 durante el horario comercial. Los Servicios para los GE Appliances aún estarán disponibles cuando su garantía caduque.

Accesorios

¿Busca Algo Más?

¡GE Appliances ofrece una variedad de accesorios para mejorar sus experiencias de cocción y mantenimiento!

Para acceder a números telefónicos e información de sitios Web, consulte la página de Soporte para el Consumidor.

Estos y otros productos están disponibles:

Accesorios

Olla para Asar Extra Grande (17 ¾" x 1 ¼" x 19 ½")

Piezas

Estantes del horno

Elementos del horno

Sonda

Suministros de Limpieza

Limpiadores de Acero Inoxidable CitriShine™

Limpiador de Electrodomésticos de Acero Inoxidable
CeramaBryte

Lubricante de Grafito

Soporte para el Consumidor

Sitio Web de GE Appliances

¿Desea realizar una consulta o necesita ayuda con su electrodoméstico? ¡Intente a través del Sitio Web de GE Appliances las 24 horas del día, cualquier día del año! Usted también puede comprar más electrodomésticos maravillosos de GE Appliances y aprovechar todos nuestros servicios de soporte a través de Internet, diseñados para su conveniencia.

En EE.UU.: GEAppliances.com

Registre su Electrodoméstico

¡Registre su electrodoméstico nuevo a través de Internet, según su conveniencia! Un registro puntual de su producto permitirá una mejor comunicación y un servicio más puntual de acuerdo con los términos de su garantía, en caso de surgir la necesidad. También puede enviar una carta en la tarjeta de inscripción preimpresa que se incluye con el material embalado.

En EE.UU.: GEAppliances.com/register

Servicio Programado

El servicio de reparación de expertos de GE Appliances está a sólo un paso de su puerta. Conéctese a través de Internet y programe su servicio a su conveniencia cualquier día del año. En EE.UU.: GEAppliances.com/service o comuníquese al 800.432.2737 durante el horario de atención comercial.

Garantías Extendidas

Adquiera una garantía extendida de GE Appliances y conozca los descuentos especiales que están disponibles mientras su garantía aún está vigente. La puede adquirir en cualquier momento a través de Internet. Los servicios de GE Appliances aún estarán allí cuando su garantía caduque.

En EE.UU.: GEAppliances.com/extended-warranty

o comuníquese al 800.626.2224 durante el horario de atención comercial.

Conectividad Remota

Para solicitar asistencia para la conectividad de red inalámbrica (para modelos con acceso remoto), visite nuestro sitio web en GEAppliances.com/connected-home-smart-appliances/ o comuníquese al 800.220.6899 en EE.UU.

Piezas y Accesorios

Aquellos individuos calificados para realizar el servicio técnico de sus propios electrodomésticos podrán solicitar el envío de piezas o accesorios directamente a sus hogares (se aceptan las tarjetas VISA, MasterCard y Discover). Ordene hoy a través de Internet durante las 24 horas, todos los días. En EE.UU.: GEApplianceparts.com o de forma telefónica al 877.959.8688 durante el horario de atención comercial.

Las instrucciones que figuran en este manual cubren los procedimientos que serán realizados por cualquier usuario. Otros servicios técnicos generalmente deben ser derivados a personal calificado del servicio. Se deberá tener cuidado, ya que una reparación indebida podrá hacer que el funcionamiento no sea seguro.

Contáctenos

Si no se encuentra satisfecho con el servicio que recibió de GE Appliances, comuníquese con nosotros a través de nuestro sitio Web con todos los detalles, incluyendo su número telefónico, o escriba a:

En EE.UU.: General Manager, Customer Relations | GE Appliances, Appliance Park | Louisville, KY 40225

GEAppliances.com/contact