

# INSTALLATION INSTRUCTIONS

**with Design Guide**

36" Built-In French Door,  
Bottom-Freezer Refrigerators

ELEVATE EVERYTHING

**MONOGRAM**

# Safety Information

## BEFORE YOU BEGIN

Read these instructions completely and carefully.

- **IMPORTANT** – Save these instructions for local inspector's use. Observe all governing codes and ordinances.
- **Note to Installer** – Be sure to leave these instructions with the Consumer.
- **Note to Consumer** – Keep these instructions with your Owner's Manual for future reference.

If you received a damaged unit, you should immediately contact your dealer or builder.

**Skill Level** – Installation of this unit requires basic mechanical, carpentry and plumbing skills. Proper installation is the responsibility of the installer. Product failure due to improper installation is not covered under the Monogram Warranty. See the Owner's Manual for warranty information.

### **⚠ WARNING** **Electrical Shock Hazard.**

Plug into a grounded 3-prong outlet.

Do not remove the ground prong.

Do not use an adapter.

Immediately discontinue use of a damaged supply cord.

If the supply cord is damaged it must be replaced by a qualified service professional with an authorized service part from the manufacturer.

Do not use an extension cord with this appliance.

Failure to follow these instructions can result in death, fire, or electrical shock.

Follow the instructions in the section Grounding the unit.

This appliance must be installed with a means in the fixed house wiring or circuit breaker for disconnecting the appliance from the electrical supply after installation.

### **⚠ WARNING** **Tip Over Hazard.**

These appliances are top heavy, especially with any doors open, and must be secured to prevent tipping forward which could result in death or serious injury. Read and follow the entire installation instructions for securing the appliance with the anti-tip system.

### **⚠ WARNING** **Explosion Hazard.**

Keep flammable materials and vapors, such as gasoline, away from appliance. Failure to do so can result in fire, explosion, or death.

**⚠ WARNING** To reduce the risk associated with choking, do not allow children under 3 years of age to have access to small parts during the installation of this product.

### **⚠ CAUTION** **Lifting Hazard**

This unit is very heavy. To reduce the risk of person injury during maneuvering and installing this appliance, 3 people are required for proper installation.

**⚠ CAUTION** Keep fingers out of the "pinch point" areas; clearances between the doors and between the doors and cabinet are necessarily small. Be careful closing doors when children are in the area.

For Monogram local service in your area, call 1.800.444.1845 or visit [monogram.com](http://monogram.com).

For Monogram service in Canada, call 1.800.561.3344

For Monogram Parts and Accessories, call 1.800.444.1845 or visit [monogram.com](http://monogram.com).

# Consignes de sécurité

## AVANT DE COMMENCER

Veillez lire toutes ces instructions attentivement.

- **IMPORTANT** – Conservez ces instructions à l'usage de l'inspecteur local. Observez tous les codes et décrets en vigueur.
- **Note à l'installateur** – Assurez-vous de laisser ces instructions au consommateur.
- **Note au consommateur** - Conservez ces instructions avec votre manuel d'utilisation pour consultation ultérieure.

Si vous avez reçu un appareil endommagé, veuillez communiquer immédiatement avec votre revendeur ou votre entrepreneur.

**Niveau de compétence** – L'installation de cet appareil exige des compétences de base en mécanique, menuiserie et plomberie. La responsabilité d'une installation adéquate relève de l'installateur. La garantie Monogram ne couvre pas les défauts du produit causés par une installation inadéquate. Consultez le manuel d'utilisation pour des renseignements sur la garantie.

### **AVERTISSEMENT** Risque d'électrocution.

Branchez l'appareil dans une prise à 3 broches mise à la terre. N'enlevez pas la broche de mise à la terre. N'utilisez pas un adaptateur.

Cessez immédiatement l'utilisation d'un cordon électrique endommagé. Si le cordon électrique est endommagé, son remplacement doit être exécuté par un technicien en réparation qualifié au moyen d'un cordon de rechange autorisé par le fabricant.

N'utilisez pas un cordon de rallonge avec cet électroménager.

Le non-respect de ces instructions peut occasionner un décès, un incendie ou un choc électrique

Suivez les instructions de la section Mise à la terre de l'appareil.

Le circuit électrique auquel cet électroménager sera raccordé doit comporter un disjoncteur ou un autre dispositif permettant de couper l'alimentation électrique à l'appareil après l'installation.

### **AVERTISSEMENT** Risque de basculement.

Ces électroménagers sont lourds du haut, notamment lorsqu'une porte est ouverte, de sorte qu'ils doivent être fixés pour prévenir un basculement vers l'avant susceptible d'occasionner des blessures graves ou la mort. Lisez et observez la totalité des instructions d'installation pour connaître la façon de fixer l'électroménager sur le dispositif antibasculement.

### **AVERTISSEMENT** Risque d'explosion.

Gardez les matières et les vapeurs inflammables telles que l'essence à distance de l'électroménager. L'omission de prendre cette précaution peut entraîner un incendie, une explosion ou la mort.

### **AVERTISSEMENT** Pour réduire le risque d'étouffement pendant l'installation de ce produit, ne pas laisser les petites pièces à la portée des enfants âgés de moins de 3 ans.

### **AVERTISSEMENT** Risque lié à la manipulation d'un objet lourd

Cet appareil est très lourd. Afin de réduire le risque de blessure pendant la manipulation et l'installation de cet électroménager, la participation de 3 personnes est nécessaire à l'exécution d'une installation correcte.

### **AVERTISSEMENT** Gardez vos doigts éloignés des points de pincement. Les espaces entre les portes et ceux entre les portes et l'armoire sont particulièrement restreints. Soyez prudent lorsque vous fermez les portes en présence d'enfants.

Pour joindre le service Monogram de votre région, composez le 1.800.444.1845 ou visitez [monogram.com](http://monogram.com).

Pour le service Monogram au Canada, composez le 1.800.561.3344.

Pour le service des Pièces et accessoires Monogram, composez le 1.800.444.1845 ou visitez [monogram.com](http://monogram.com).

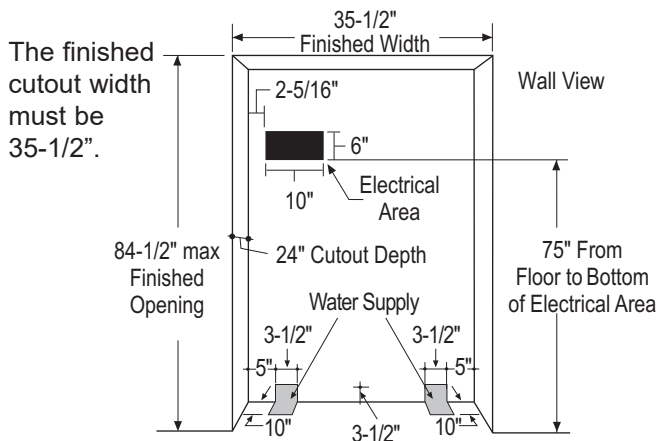
# Contents

<b>Safety</b>	2, 3	Side Panels	29
<b>Instructions for Standard Installation</b>	5-21	Side Cleats	29
<b>Design Guide</b>		<b>Installation Instructions</b>	
The Installation Space	6	Tools, Hardware, Materials, Flooring	30
Dimensions and Clearances	6	Grounding the Refrigerator	30
Custom Handle Design Guide	7	Step 1. Remove Packaging	31
Customization Basics	7	Step 2. Install Water Line	31
Refrigerator Location	7	Step 2A. Water Line with Reverse Osmosis System	32
Optional Accessory Kits	7	Step 3. Install Side Panels	32
3/4" Overlay Panel Dimensions	8	Step 4. Install Case Trim	32
1/4" Framed Panel Dimensions	9	Step 5. Anti-Tip Procedure	32-34
Side Panels	9	Step 6. Level Refrigerator	34
130° Door Swing	10	Step 7. Secure Unit to Wall	34
90° Door Swing	11	Step 8. Alternate Anti-Tip Procedure	35
<b>Installation Instructions</b>		Step 9. Adjust Door Swing	35
Tools, Hardware, Materials, Flooring	12	Step 10. Install Grille Panel	36
Refrigerator Location	12	Step 11. Install Assembled Panels	36
Grounding the Unit	12	Step 12. Connect Water Supply	37
Step 1. Remove Packaging	13	Step 13. Connect Power	37
Step 2. Install Water Line	13	Step 14. Start Icemaker	37
Step 2A. Water Line with Reverse Osmosis System	14	Step 15. Install Toekick	38
Step 3. Install Side Panels	14	Inspect Final Installation	38
Step 4. Anti-Tip Procedures	14-15	<b>Instructions for Stainless Steel Installation</b>	39-46
Step 5. Level Refrigerator	16	<b>Design Guide</b>	
Step 6. Secure Unit to Wall	16	The Installation Space	40
Step 7. Alternate Anti-Tip Procedure	17	Dimensions and Clearances	40
Step 8. Adjust Door Swing	17	Customization Basics	41
Step 9. Install Grille Panel	18	Side Panels	41
Step 10. Install 1/4" Framed Panels	18	Refrigerator Location	41
Step 10A. Install Overlay Panels	19	130° Door Swing	42
Step 11. Connect Water Supply	20	90° Door Swing	43
Step 12. Connect Power	20	<b>Installation Instructions</b>	
Step 13. Start Icemaker	20	Tools, Hardware, Materials, Flooring	44
Step 14. Install Toekick	21	Grounding the Refrigerator	44
Inspect Final Installation	21	Step 1. Remove Packaging	45
<b>Instructions for Flush Installation</b>	22-38	Step 2. Install Water Line	45
<b>Design Guide</b>		Step 2A. Water Line with Reverse Osmosis System	46
The Installation Space	23	Step 3. Install Side Panels	46
Dimensions and Clearances	23	Step 4. Anti-Tip Procedure	46-47
Custom Handle Design Guide	23	Step 5. Level Refrigerator	48
1/2" Overlay Panel Dimensions	24	Step 6. Secure Unit to Wall	48
3/4" Decorative Panel Dimensions	25	Step 7. Alternate Anti-Tip Procedure	49
Customization Basics	25	Step 8. Adjust Door Swing	49
Refrigerator Location	25	Step 9. Connect Water Supply	50
3/4" Raised Fresh Food Door Panel Routing	26	Step 10. Connect Power	50
3/4" Raised Freezer Drawer Panel Routing	27	Step 11. Start Icemaker	50
3/4" Raised Grille Panel Routing	28	Step 12. Install Toekick	51
Optional Accessory Kits	28	Inspect Final Installation	51

# **Instructions for Standard Installation**

# Design Guide - Standard Installation

## THE INSTALLATION SPACE



### Water And Electrical Locations

Electrical and water supply must be located as shown.

### The cutout depth must be 24" (60.96 cm)

The refrigerator will project forward, slightly beyond adjacent cabinetry, depending on your installation. Allow minimum 1/8" (0.32 cm) air gap between case back & wall.

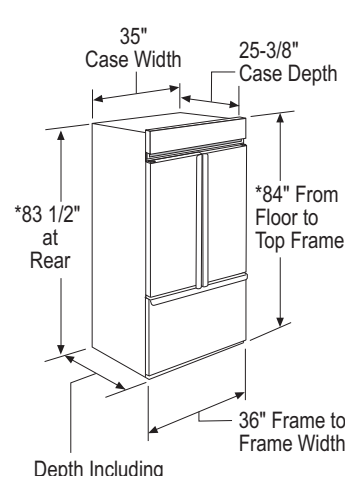
### Cutout depth beneath a soffit:

When installed beneath a soffit, the soffit cannot exceed the 24" installation depth shown. The top case trim overlaps the bottom of the soffit.

### Additional Specifications

- A 115 volt 60Hz., 15 or 20 amp power supply is required. An individual properly grounded branch circuit or circuit breaker is recommended. Install a properly grounded 3-prong electrical receptacle recessed into the back wall. Electrical must be located on rear wall as shown.
- Water line can enter the opening through the floor or back wall. Route SmartConnect™ kit or 1/4" O.D. copper tubing between the cold water line and the water connection location. The tubing should be long enough to extend to the front of the refrigerator. Installation of an easily accessible shut-off valve in the water line is required.

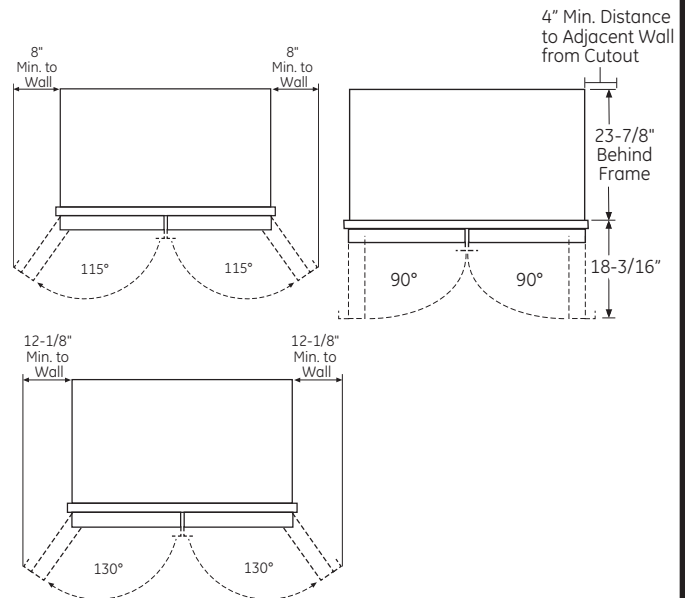
## DIMENSIONS AND CLEARANCES



\* Shipping height. The refrigerator can be adjusted to fit into a cutout that is 83-1/2" (212 cm) min. to 84-1/2" (214.63 cm) max. height. Note that the top case trim at the front is 1/2" (1.27 cm) higher and will overlap upper cabinetry or soffit. Use leveling legs and wheels for a maximum 1" (2.54 cm) height adjustment.

### Product Clearances

These refrigerators are equipped with a 3-position door stop. The factory set 115° door swing can be adjusted to 90° if clearance to adjacent cabinets or walls is restricted.



Allow 12-1/8" (30.80 cm) minimum clearance for a full 130° door swing.

For a 90° door swing, allow 4" (10.16 cm) min. clearance to adjacent wall from cutout. If the 90° door stop position is used, pan access is maintained, but pan removal is restricted.

See illustrations pages 10 and 11 to determine door swing interaction with adjacent cabinets or countertops.

# Design Guide - Standard Installation

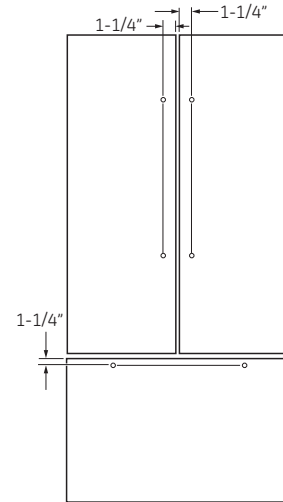
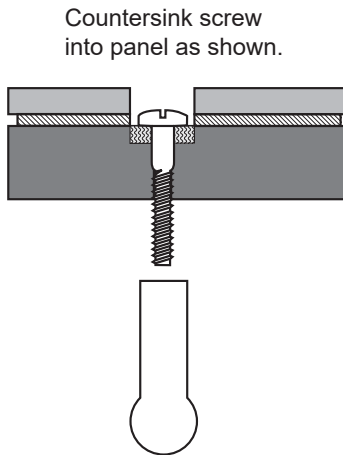
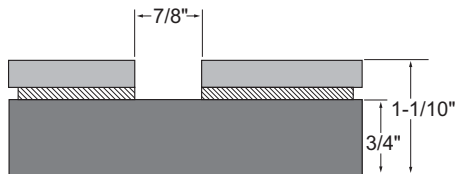
## CUSTOM HANDLE DESIGN GUIDE

Custom handles must be used for flush installation. For custom handle installation, counterbore holes in rear of decorative panels must ensure 1/2" (1.27 cm) material thickness remains for handle support.

**NOTE:** The counterbore must not exceed 1" (2.54 cm) in diameter.

Minimum distance on Fresh Food Doors from handle side edge to handle center should be 1-1/4" (3.18 cm) on each door as shown.

Minimum distance on Freezer Door from top edge to handle center on the freezer drawer should be 1-1/4" (3.18 cm) as shown.



## CUSTOMIZATION BASICS:

### Framed Or Overlay Panels, Custom Handles and Accessory Kits

These refrigerators are designed to be customized with decorative panels. Field installed custom door and grille panels are required.

#### Side Panels

Side panels must be used whenever the sides of the refrigerator will be exposed.

### Optional Accessory Kits

- ZKHFD2H: Monogram Tubular Stainless Steel handles designed to fit 3/4" (1.91 cm) overlay panels.

## REFRIGERATOR LOCATION

- Do not install the refrigerator where the temperature will go below 60°F (16°C). It will not run often enough to maintain proper temperatures.
- Do not install the refrigerator where temperatures will go above 100°F (37°C). It will not perform properly.
- Do not install the refrigerator in a location exposed to water (rain, etc.) or direct sunlight.
- Install it on a floor strong enough to support it fully loaded.

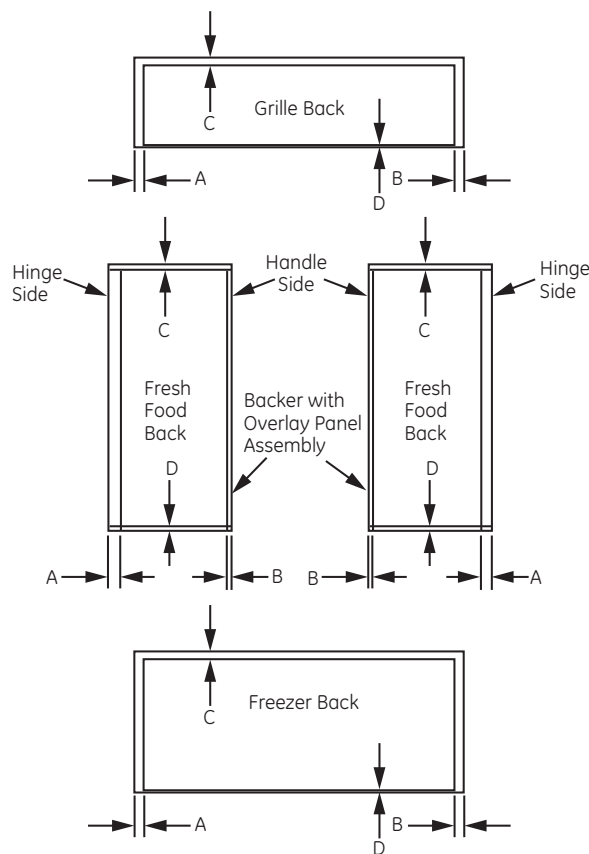
# Design Guide - Standard Installation

## 3/4" (1.91 cm) OVERLAY PANEL DIMENSIONS

For a more custom appearance, overlay panels may be installed on trimmed models. The overlay panel must be secured to a 1/4" (0.64 cm) thick backer panel which slides into the trim. A spacer panel 0.10" (0.25 cm) thick must be placed between the overlay and backer panel.

Assemble the panels with glue and screws.

- Center the spacer panel on the backer panel, left to right and top to bottom. Secure the panels with glue.
- Refer to the following chart for locating the backer panel to the overlay panel. Secure the overlay panel to the backer panel with glue and screws. Screws must be countersunk into the backer panel.



$$.25" + .10" + .75" = 1.10" \text{ Total Panel Thickness} \\ (0.64 + 0.25 + 1.9 = 2.79 \text{ cm})$$

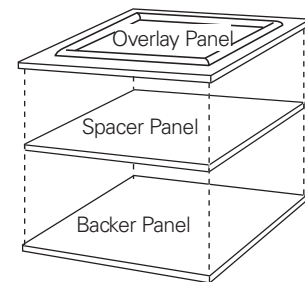
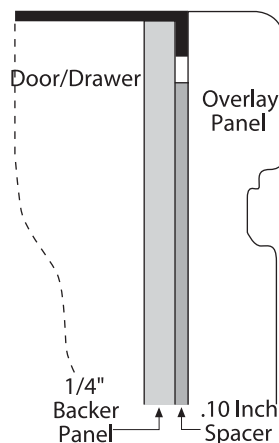
**NOTE:** Left-to-right offset is not always equal to top-to-bottom offset.

### Panel Locations

	A	B	C	D
Door Panels	1/8" (0.32 cm)	0	1/8" (0.32 cm)	1/8" (0.32 cm)
Drawer Panel	1/8" (0.32 cm)	1/8" (0.32 cm)	1/16" (0.16 cm)	1/16" (0.16 cm)
Grille Panel	1/8" (0.32 cm)	1/8" (0.32 cm)	1/16" (0.16 cm)	1/16" (0.16 cm)

### Panel Dimensions

	Fresh Food	Freezer	Grille
1/4" (0.63 cm) Backer Panel	46-1/16" x 16-1/2" (116.99 x 14.91 cm)	33-7/8" x 21-7/8" (86.04 x 55.56 cm)	33-7/8" x 8-7/8" (86.04 x 22.54 cm)
0.10" (0.25 cm) Spacer Panel	44-11/16" x 15" (113.51 x 38.10 cm)	32-1/2" x 20-1/2" (82.55 x 52.07 cm)	32-1/2" x 7-5/8" (82.55 x 19.37 cm)
3/4" (1.9 cm) Overlay Panel	46-5/16" x 16-5/8" (117.63 x 42.23 cm)	34-1/8" x 22" (96.67 x 55.88 cm)	34-1/8" x 9" (96.67 x 22.86 cm)



**IMPORTANT NOTE:** Maximum total weight for the assembled panels:

- Fresh food door panels – 30 lbs. (14 kg)
- Freezer drawer panel – 28 lbs. (13 kg)
- Grille Panel – 11 lbs. (5 kg)

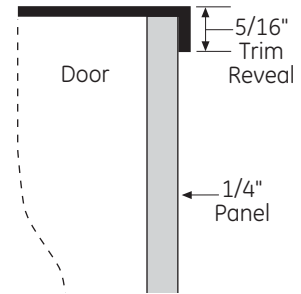


# Design Guide - Standard Installation

## 1/4" (0.63 cm) FRAMED PANEL DIMENSIONS

If you choose to install framed panels, they must be cut to the dimensions shown. The panels will slide into the frame on the door, drawer and grille.

If the custom panel is less than 1/4" thick and if it fits loosely in the door frame, it can be backed up with a piece of filler material or foam tape to improve the fit.



### Panel Dimensions

1/4" (0.63 cm) Framed Panel	46-1/16" x 16-1/2" (101.76 x 41.91 cm)	33-7/8" x 21-7/8" (86.04 x 55.56 cm)	33-7/8" x 8-7/8" (86.04 x 22.54 cm)
--------------------------------	---	---	--

**NOTE:** Maximum total panel weight:

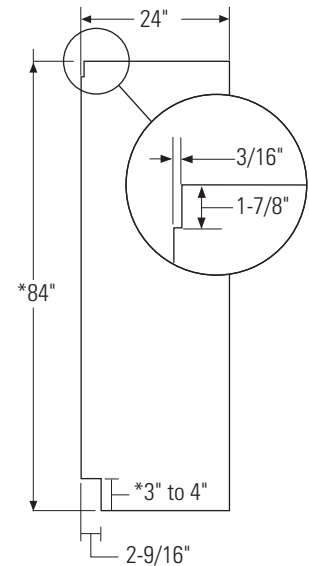
- Fresh food door panel – 58 lbs. (26 kg)
- Freezer drawer panel – 28 lbs. (13 kg)
- Grille Panel – 11 lbs. (5 kg)

## SIDE PANELS

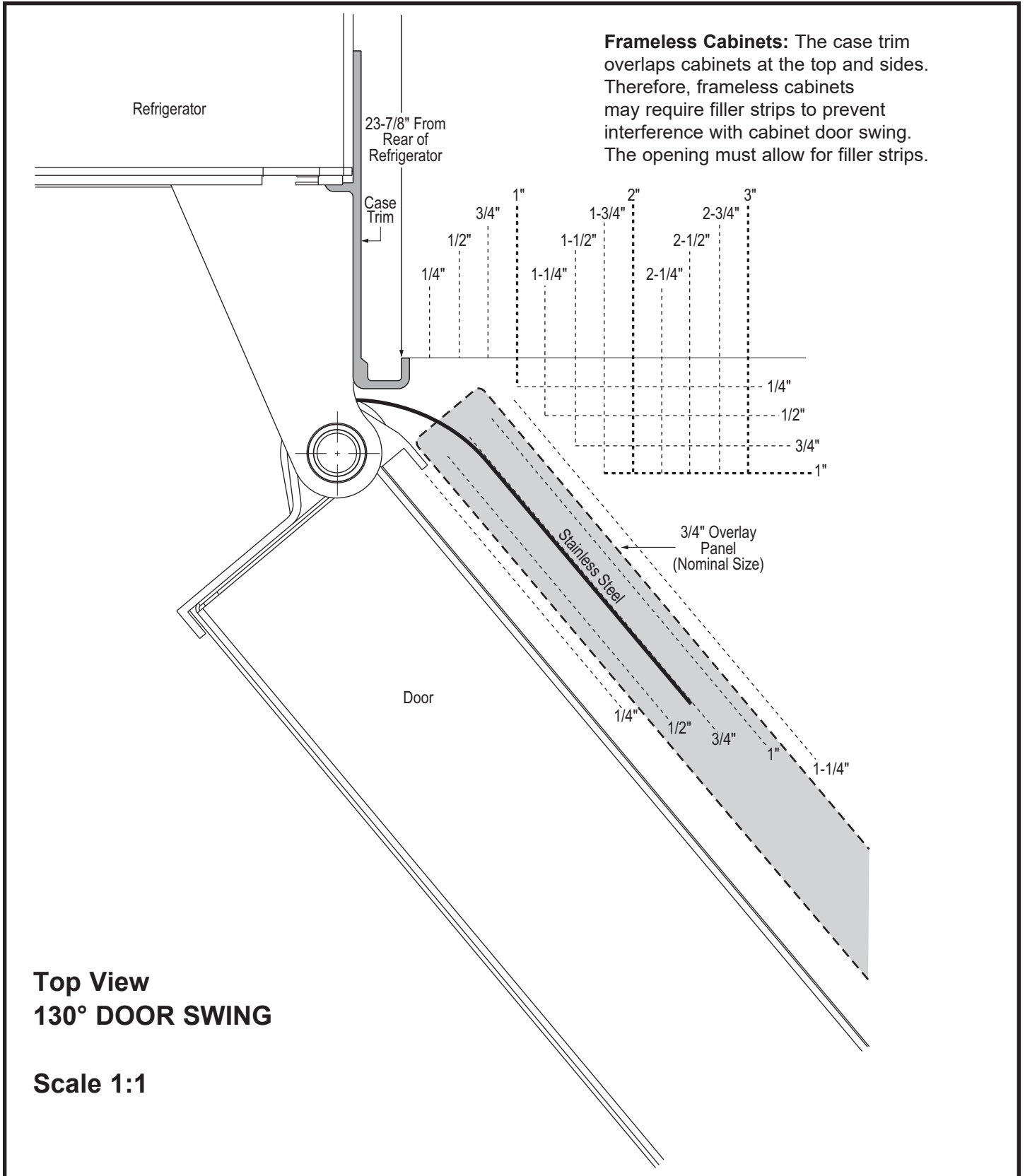
Side panels must be used whenever the sides of the refrigerator will be exposed. The 1/4" (0.63 cm) side panels will slip into the side case trim. Secure the panels to the refrigerator with stick-on hook and loop fastener strips. Order the side panels from the cabinet manufacturer.

- Cut a notch in the top front corner as shown to allow clearance for corner keys in the front side trim.

\* Depending on installation height.



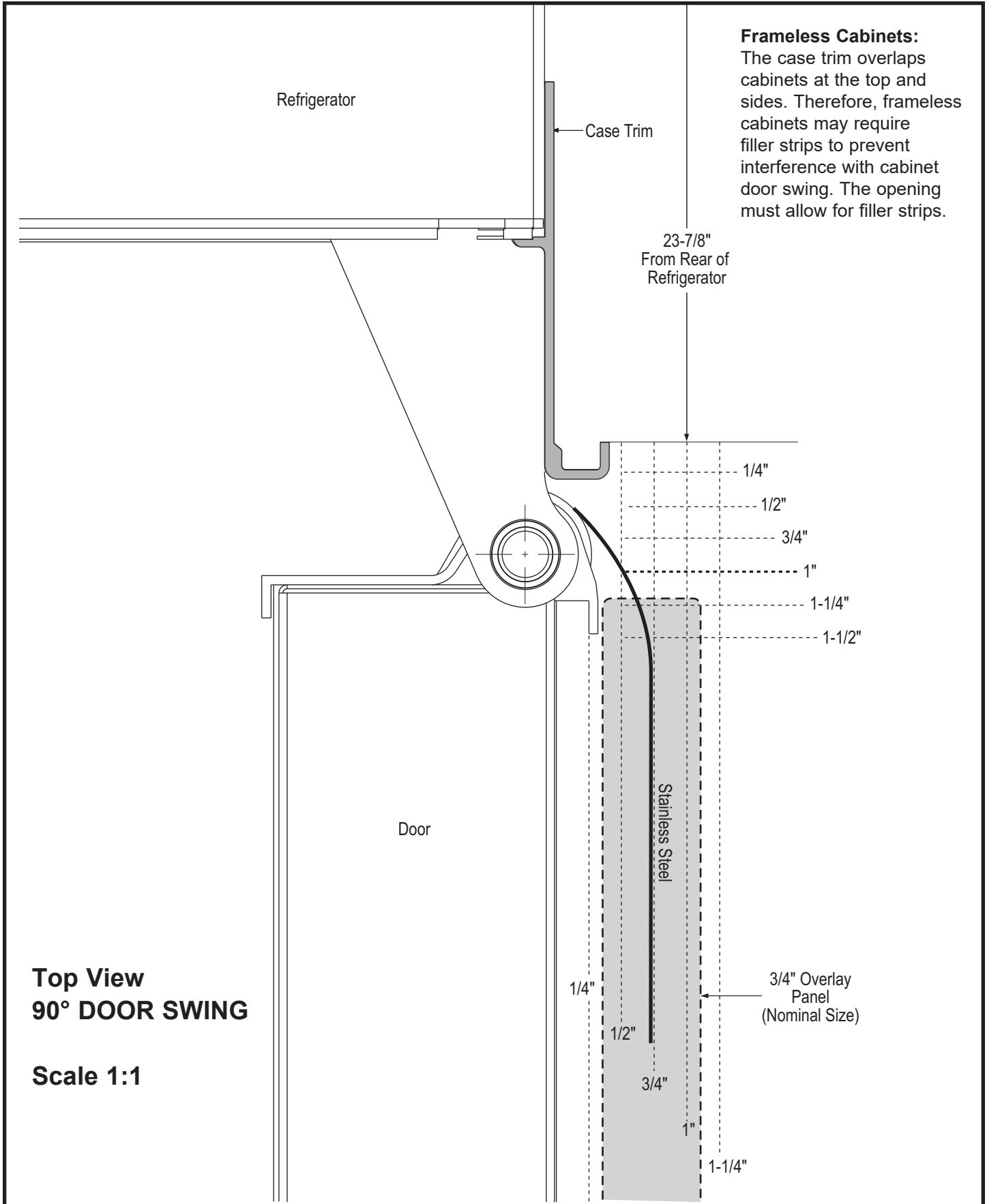
# Design Guide - Standard Installation



**Top View**  
**130° DOOR SWING**

**Scale 1:1**

# Design Guide - Standard Installation



**Top View  
90° DOOR SWING**

**Scale 1:1**

# Installation Instructions

## TOOLS REQUIRED

- Tinsnips to cut banding
- Bucket
- Appliance Hand Truck
- 7/16" open-end wrench
- Drill and appropriate bits
- Safety glasses
- Pliers
- Stepladder
- Level
- Tubing cutter
- #2 Phillips screwdriver
- 5/16", 7/16" socket
- 1-1/4" open end wrench
- 1/4" ratchet

## MATERIALS REQUIRED

- 35" long 2x4 for Anti-Tip support
- 1/4" copper water line tubing or SmartConnect™ Refrigerator Tubing kits
- Water shut-off valve
- Custom panels for fresh food door, freezer drawer and grille panel
- Screws to secure refrigerator to cabinetry.
- Stick-on hook and loop fastener strips for 1/4" (0.63 cm) side panels

## HARDWARE SUPPLIED

- Water filter bypass plug
- Anti-Tip brackets
- 1/4" nut and ferrule
- Custom Handle Trim Kit (Shorter box taped to the front of refrigerator packaging)
- Case Trim - not required for standard installation (Longer box taped to the front of refrigerator packaging)

## FLOORING

For proper installation, this refrigerator must be placed on a level surface of hard material that is at the same height as the rest of the flooring. This surface should be strong enough to support a fully loaded refrigerator, or approximately 1,200 lbs. (544.31 kg).

**NOTE:** Protect the finish of the flooring. Cut a large section of the cardboard carton and place under the refrigerator where you are working.

## REFRIGERATOR LOCATION

- Do not install the refrigerator where the temperature will go below 60°F (16°C). It will not run often enough to maintain proper temperatures.
- Do not install the refrigerator where temperatures will go above 100°F (37°C). It will not perform properly.
- Do not install the refrigerator in a location exposed to water (rain, etc.) or direct sunlight.
- Install it on a floor strong enough to support it fully loaded.

## GROUNDING THE REFRIGERATOR

**⚠ WARNING**  **Electrical Shock Hazard.**

Failure to follow these instructions can result in death, fire, or electrical shock.

The power cord of this appliance is equipped with a 3-prong (grounding) plug which mates with a standard 3-prong (grounding) wall receptacle to minimize the possibility of electric shock hazard from this appliance.

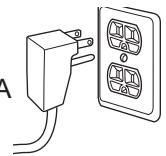
Have the wall outlet and circuit checked by a qualified electrician to make sure the outlet is properly grounded.

Where a standard 2-prong wall outlet is encountered, it is your personal responsibility and obligation to have it replaced with a properly grounded 3-prong wall outlet.

**DO NOT, UNDER ANY CIRCUMSTANCES, CUT OR REMOVE THE THIRD (GROUND) PRONG FROM THE POWER CORD.**

**DO NOT USE AN ADAPTER PLUG TO CONNECT THE REFRIGERATOR TO A 2-PRONG OUTLET.**

**DO NOT USE AN EXTENSION CORD WITH THIS APPLIANCE.**



## MISE À LA TERRE DU RÉFRIGÉRATEUR

**⚠ AVERTISSEMENT**  **Risque de choc électrique.**

Le non-respect de ces instructions peut entraîner des risques d'incendies, des chocs électriques ou la mort.

Le cordon d'alimentation de cet appareil est équipé d'une fiche à trois broches (pour une mise à la terre) qui s'adapte à la prise de courant standard à 3 broches (pour une mise à la terre) pour minimiser les risques de chocs électriques par cet appareil.

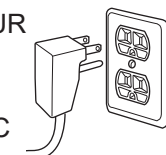
Faites vérifier la prise murale et le circuit électrique par un électricien qualifié pour s'assurer que le système est correctement mis à la terre.

Dans le cas d'une prise biphasée, l'installateur a la responsabilité et l'obligation de la remplacer par une prise triphasée correctement mise à la terre.

**NE COUPEZ PAS OU N'ENLEVEZ PAS, SOUS AUCUN PRÉTEXTE, LA TROISIÈME BROCHE DE MISE À LA TERRE DU CORDON D'ALIMENTATION.**

**N'UTILISEZ PAS D'ADAPTATEUR POUR BRANCHER LE RÉFRIGÉRATEUR À UNE PRISE BIPHASÉE.**

**N'UTILISEZ PAS DE RALLONGE AVEC CET APPAREIL.**



# Installation Instructions

## STEP 1 REMOVE PACKAGING

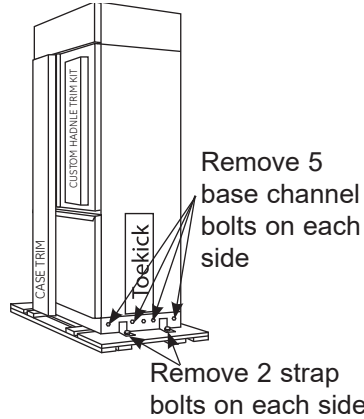
### ⚠ WARNING Tip Over Hazard.

Refrigerator is much heavier at the top than at the bottom. To avoid a risk of death or serious injury, be careful when moving, and when using a hand truck, handle only from side.  
DO NOT ATTEMPT TO ROLL UNIT OFF SKID.

### ⚠ AVERTISSEMENT Risque de

**basculement** Parce que le haut du réfrigérateur est plus lourd que sa base, la prudence est de mise lors son déplacement, de l'utilisation d'un diable-brouette, de sa manipulation faite seulement sur son côté afin d'éviter les blessures graves ou mortelles. IL NE FAUT PAS ESSAYER DE FAIRE ROULER L'APPAREIL MÉNAGER POUR L'ENLEVER DE LA PALETTE.

- Carefully cut banding at the top and bottom, remove the outer carton.
- Slide out the back corner posts (2).
- Slide the carton off the top of the cabinet.



**NOTE:** IT IS NOT NECESSARY TO LAY THE CABINET DOWN IN ORDER TO REMOVE THE SKID!

- The unit is secured to the skid with 2 full-length tie-down straps. Remove the ten 5/16" bolts from the base channels in the tie-downs.
- Remove the four 7/16" bolts securing the straps to the skid.

**NOTE:** DO NOT ATTEMPT TO ROLL UNIT OFF SKID.

- The support blocks on the bottom of the refrigeration case must be removed before the refrigerator is taken off the skid or damage will occur. Carefully tilt the refrigerator and slide the blocks out from beneath.
- Remove the toekick and set aside for final installation.
- Remove the case trim box and Custom Handle Kit box and set aside for final installation.
- Lift the refrigerator off the skid with an appliance dolly. Handle from the sides.

## STEP 2 INSTALL WATER LINE

### ⚠ WARNING Connect to potable water supply only.

### ⚠ AVERTISSEMENT Raccordez l'appareil à une alimentation d'eau potable seulement.

- A cold water supply is required for automatic icemaker operation. The water pressure must be between 40 and 120 p.s.i. (275-827 kPa).
- Route 1/4" OD copper or SmartConnect™ plastic tubing between house cold water line and the water connection location.
- Tubing should be long enough to extend to the front of the refrigerator. Allow enough tubing to accommodate bend leading into the water line connection.

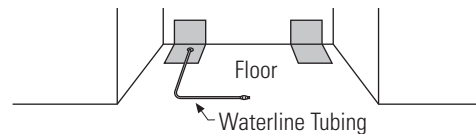
**NOTE:** The only GE Appliances-approved plastic tubing is supplied in the SmartConnect™ Refrigerator Tubing kits. Do not use any other plastic water supply line because the line is under pressure at all times. Other types of plastic may crack or rupture with age and cause water damage to your home.

SmartConnect™ Refrigerator Tubing Kits are available in the following lengths:

- 2' (.6 m) WX08X10002
- 8' (2.4 m) WX08X10006
- 15' (4.6 m) WX08X1 0015
- 25' (7.6 m) WX08X10025

### Shut off the main water supply.

Turn on the nearest faucet long enough to clear the line of water.



- Install a shut-off valve between the icemaker water valve and cold water pipe in a basement or cabinet. The shut-off valve should be located where it will be easily accessible.
- Turn on the main water supply and flush debris. Run about a quart of water through the tubing into a bucket. Shut off water supply at the shut-off valve.

**NOTE:** Saddle type shut-off valves are included in many water supply kits, but are not recommended for this application.

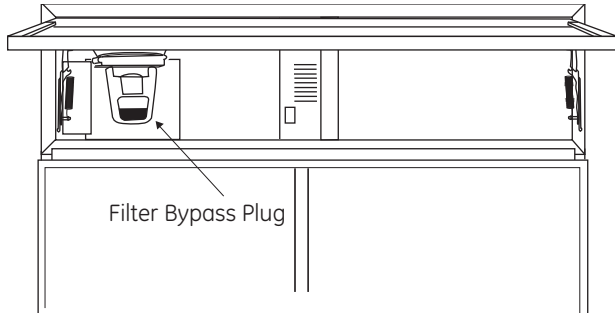
**NOTE:** Commonwealth of Massachusetts Plumbing Codes 248CMR shall be adhered to. Saddle valves are illegal and use is not permitted in Massachusetts. Consult with your licensed plumber.

# Installation Instructions

## STEP 2A WATER LINE INSTALLATION WITH A REVERSE OSMOSIS SYSTEM

Skip this step when not using an RO System

If the water supply to the refrigerator is from a Reverse Osmosis Water System, use the refrigerator's filter bypass plug. Using the refrigerator's water filtration cartridge with the RO filter can result in hollow ice cubes.



## STEP 3 INSTALL SIDE PANELS

Skip this step when not using side panels.

If you are using 1/4" (0.63 cm) side panels, they should be inserted into the case trim. Fasten the panels to the refrigerator with stick-on hook and loop fastener strips before setting refrigerator in place.

## STEP 4 ANIT-TIP PROCEDURE

### ⚠ WARNING Tip Over Hazard.

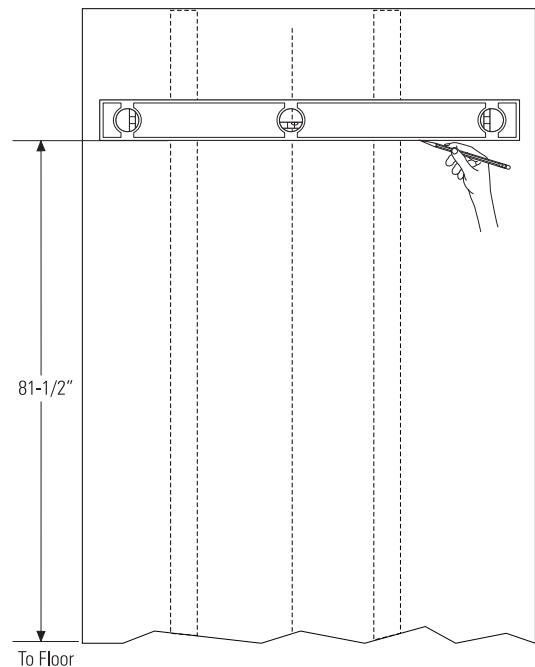
These refrigerators are top heavy, especially with any doors open, and must be secured to prevent tipping forward which could result in death or serious injury. Read and follow the entire installation instructions for securing the refrigerator with the anti-tip system.

### ⚠ AVERTISSEMENT Risque de basculement

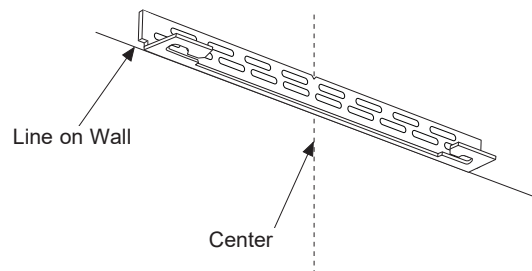
Ces réfrigérateurs présentent une partie supérieure lourde, en particulier avec une porte ouverte; ils doivent donc être fixés pour prévenir le basculement vers l'avant et le risque concomitant de blessure grave ou fatale. Lisez et suivez les instructions d'installation complètes pour l'installation du système anti-basculement.

## STEP 4 ANIT-TIP PROCEDURE (CONT)

- The kit supplied with the unit contains 2 lag bolts and 4 toggles with bolts. The wall bracket will be attached to the wall in 4 places.
- Measure the opening where the unit is to be installed. Mark the center with a vertical line.
- Measure up 81 1/2" (207.01 cm) from the floor. Mark this point on the wall.
- Using a level, draw a horizontal line on the wall at this height.



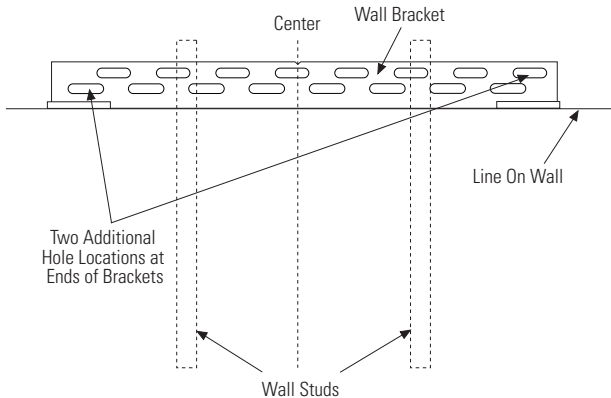
- Locate at least 2 studs on the back wall. Mark these points on the horizontal line.
- Place the bottom of the wall bracket with tabs on the horizontal line. Align the center notch on the bracket with the center line on the wall.



# Installation Instructions

## STEP 4 ANIT-TIP PROCEDURE (CONT)

- The anti-tip wall bracket has a series of holes. Select 2 holes that match with the located studs. Make sure the holes selected are on the center of the studs. Mark the wall at these points.
- Mark an additional hole at each end of the bracket. If one of the studs is closer to the end of the bracket, mark an additional hole towards the center of the bracket.

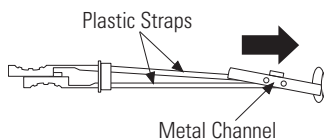


- Drill 1/2" (1.27 cm) holes into the wall board at the locations marked for the toggles to be mounted (not the stud markings).
- Drill 3/16" (0.47 cm) holes into wooden studs where marked. If steel stud construction, drill 1/2" (1.27 cm) holes into the studs where marked. You will use 2 toggles with the metal studs.

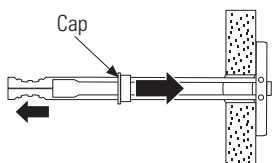
### Install Wall Toggles:

The wall toggles and bolts can be ordered as Service Kit #WR49X10193. Wall toggles are installed in the drywall and metal studs for stability. Install the wall toggles as follows:

- Drill 1/2" (1.27 cm) holes at the wall markings made in the holes at the ends of the wall bracket.
- Hold the metal channel flat against the plastic straps and slide the channel through the hole.
- Gently pull back at the ends of the plastic straps to make the channel rest flush behind the wall.

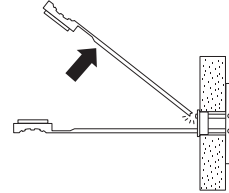


- Hold the ends of the straps in one hand and slide the plastic cap along the straps until the flange of the cap is flush with the wall.



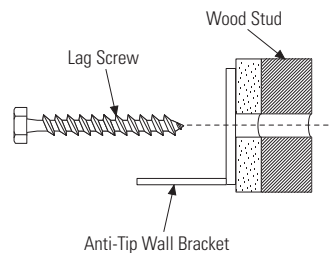
## STEP 4 ANIT-TIP PROCEDURE (CONT)

- Place your thumb between the plastic straps and bend up and down to snap the straps off at the wall.

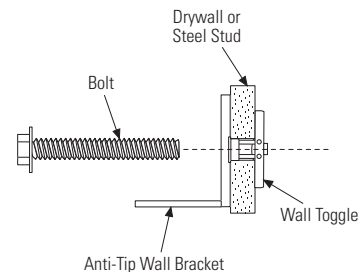


### Install Screws and Bolts:

- Have someone hold the wall bracket centered in place with each of the holes aligned with the correct opening in the bracket and level with the horizontal line.
- Insert the lag screws through the bracket and into the stud. Tighten with a wrench.



- Insert the bolts into the toggle by hand until snug. Tighten with a wrench.



### CONNECT POWER CORD:

- Before pushing the refrigerator into the opening, plug the power cord into the receptacle. Open the grille panel and reach into the opening at the back to grasp the power cord. Pull the power cord into the opening as you push the refrigerator back.
- Gently push refrigerator into the opening with hands against front corners.

**IMPORTANT:** When the refrigerator is installed under a soffit or if there is not enough height for this method of security, brackets cannot be used. Proceed to step 5 to level the refrigerator and then to step 7 to secure refrigerator to cabinets.

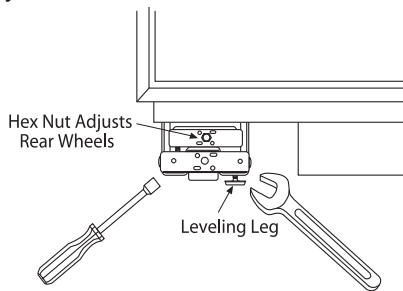


# Installation Instructions

## STEP 5 LEVEL REFRIGERATOR

All models have 4-point leveling. The front is supported by leveling legs, the rear is supported by adjustable wheels. Both are accessible from the front of the refrigerator.

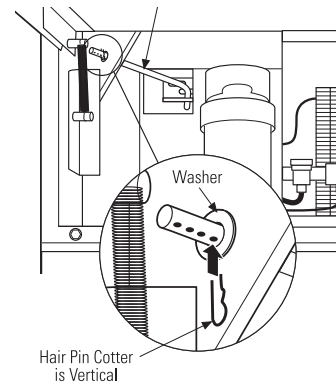
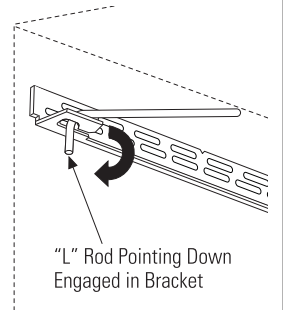
- To level the back of the refrigerator, turn the 7/16" hex nut located above the front wheels. Turn clockwise to raise or counterclockwise to lower the refrigerator.
- For front leveling, use a 1-1/4" open-end wrench.
- Adjust height of refrigerator to match installation cutout opening 83-1/2" (212.09 cm) to 84-1/2" (214.63 cm). The refrigerator should be level and plumb with cabinetry.



The rear leveling wheels and front leveling legs are limited to a maximum height adjustment of 1" (2.54 cm). If the installation requires more than 84-1/2" (214.63 cm) height, the installer should elevate the refrigerator on a sheet of plywood or runners. Cabinetry trim could also be added across the top of the opening to shorten the opening. If you attempt to raise the refrigerator more than 1" (2.54 cm), you will damage the front leveling legs and the rear leveling wheels.

## STEP 6 SECURE UNIT TO WALL

- The "L" rod can be found in the upper left corner of the unit in the access compartment. Look through the access compartment to make sure the rod lines up with the anti-tip bracket.
- There are 2 washers and a hair pin cotter with the rod. Remove the washers and hair pin cotter from the end of the rod.
- Rotate and move the "L" rod into the slot in the anti-tip bracket tab. Once it is in the slot, rotate the "L" rod so the hook portion is pointing down. The holes at the front end of the rod should be in a vertical position.
- Pull out on the end of the rod to make sure it is secure in the bracket.
- Locate the hole on the rod that is closest to the unit. A hair pin cotter will be put through this hole to secure the rod. If this hole appears to be too far away for a snug fit against the unit, add the washers one at a time until the pin will fit tightly into the hole.
- Align the straight section of the pin with the hole from the underside of the rod. Push the pin up until it snaps into position. Pliers may be used. **NOTE:** The hair pin cotter must be vertical when this step is completed to ensure the "L" rod is engaged in the bracket.
- Check the rod for tightness by pulling forward. If the rod moves, remove the hair pin cotter and place another washer on the rod. Reinsert the pin.

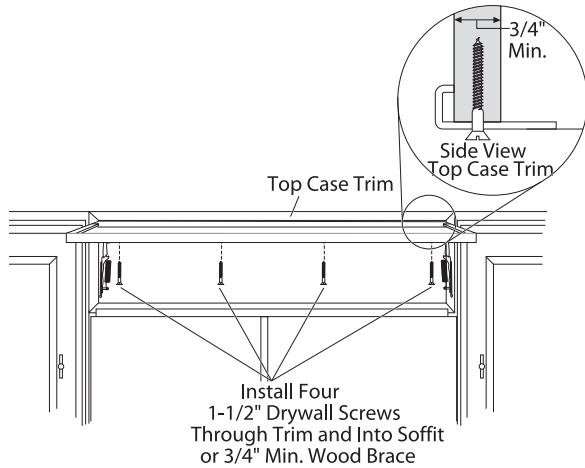




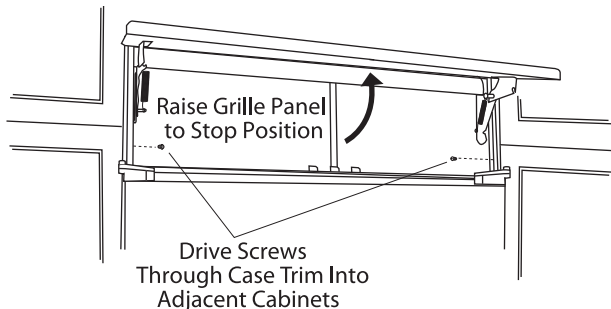
# Installation Instructions

## STEP 7 ALTERNATE ANTI-TIP PROCEDURE

The refrigerator must be secured to prevent tipping. If the anti-tip bracket cannot be used, this alternate procedure may be used to secure the refrigerator against tip-over.



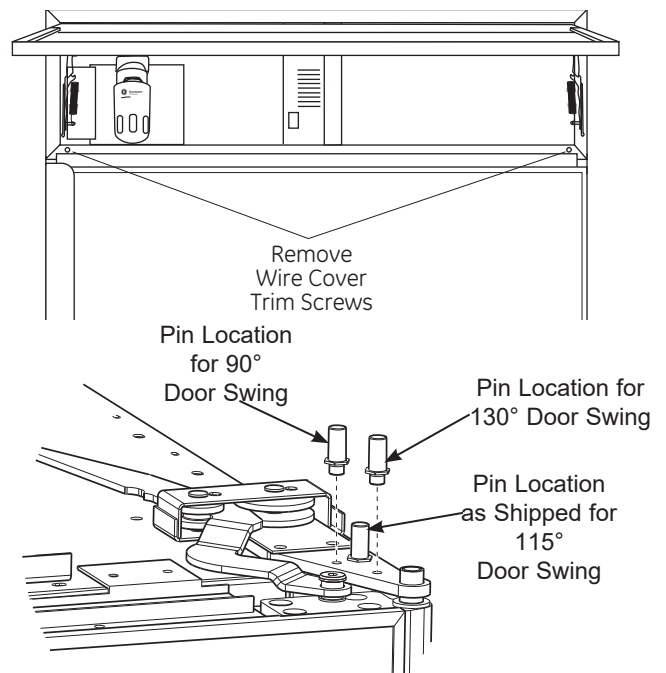
- Raise the grille panel to access case trim.
- Use a 3/16" bit to drill four evenly spaced clearance holes through the metal top case trim.
- Use a 1/16" bit to drill to pilot holes through the metal clearance holes and into the wood soffit. The holes should be centered in the soffit or a 3/4" min. wood brace. The brace spanning the enclosure must be securely fastened to cabinets on both sides.
- Install four, 1-1/2" (3.81 cm) drywall screws into the pilot holes.
- If no soffit above the unit, drill screws into adjacent cabinets through the side case trim.



## STEP 8 ADJUST DOOR SWING

**NOTE:** This refrigerator has a 3-position door stop. When space does not allow the door to swing open fully to 115°, you may change the door swing to a 90° opening. A 130° door swing is available for standard installation only. If used for flush installation, damage will occur to wood panels. **Skip this step if door opening is satisfactory for your installation situation.**

- Lift the grille panel to access the wire cover trim.
- Remove screws on both sides of the wire cover trim and rotate off.
- Use pliers to unscrew door stop and reinstall into the 90° or 130° position.

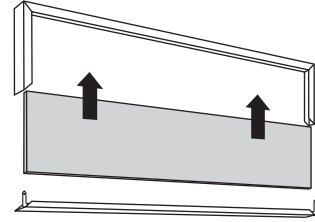
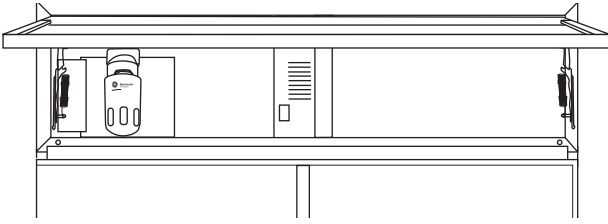


- Reinstall the wire cover trim.

# Installation Instructions - Standard Installation

## STEP 9 INSTALL GRILLE PANEL

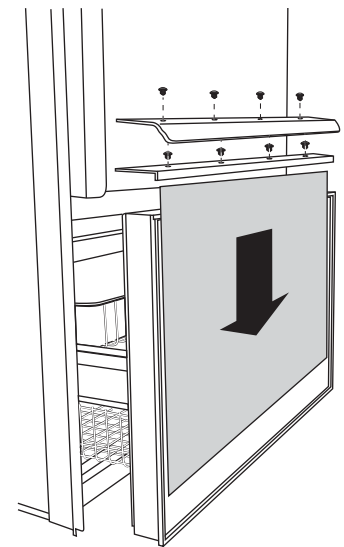
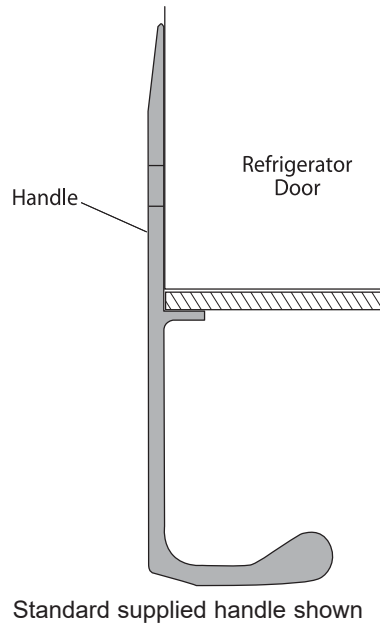
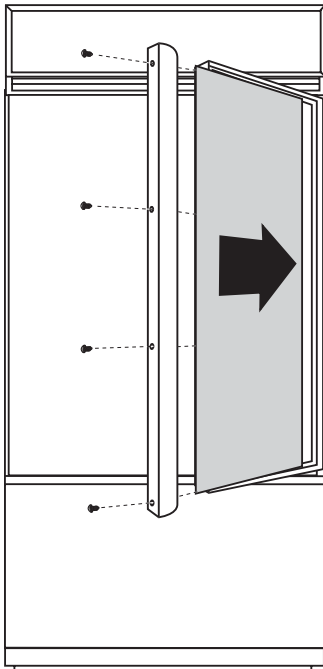
- Raise the access panel to the stop position.



- Loosen the screws on the side trim behind the frame. Remove the bottom trim.
- Slide the panel over the metal baker panel and into the trim.
- If necessary, tap with a wood block until the panel slips under the top trim piece.
- Reassemble the bottom trim. Tighten the screws.
- Adjust the hinge spring to accommodate the panel weight, if necessary.

## STEP 10 INSTALL 1/4" (0.63 cm) FRAMED PANELS

IF YOU ARE INSTALLING OVERLAY PANELS, GO TO STEP 10A.

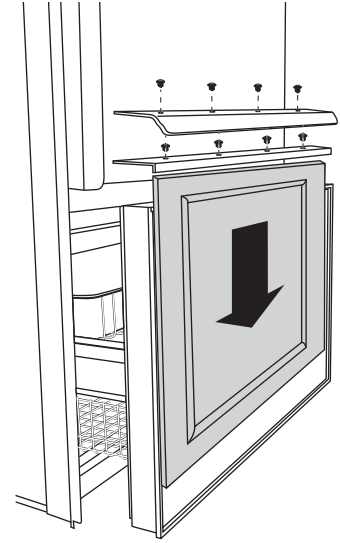
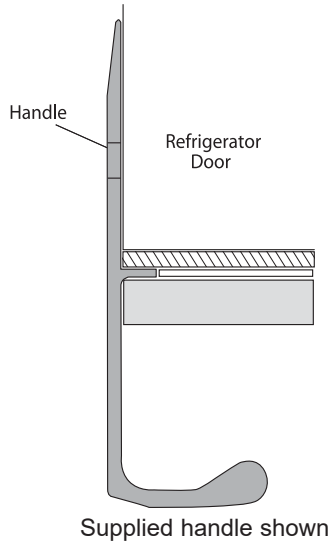
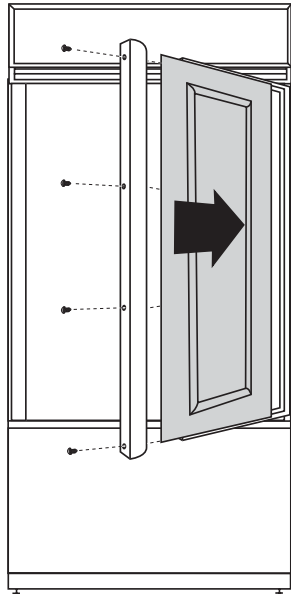


### Install door and drawer panels:

- Open door to 90°. Remove the 4 Phillips head screws from the door handle.
- Remove handle. Retain all screws.
- Slide framed panel into the door trim.
- Secure the handle to the door using the screws removed earlier.
- Follow the same procedures to install the second door panel.
- For freezer drawer, once panel is installed, use rear 4 screws holes to install the top freezer door trim and align the handle to the remaining screw holes.

# Installation Instructions - Standard Installation

## STEP 10A INSTALL OVERLAY PANELS IF YOU ARE INSTALLING FRAMED PANELS, GO TO STEP 10.



### Install door and drawer panels:

- Open door to 90°. Remove the 4 Phillips head screws from the door handle.
- Remove handle. Retain all screws.
- Slide overlay panel into the door trim.
- Secure the handle to the door using the screws removed earlier.
- Follow the same procedures to install the second door panel.
- For freezer drawer, once panel is installed, use rear 4 screws holes to install the top freezer door trim and align the handle to the remaining screw holes.

### CUSTOM HANDLES

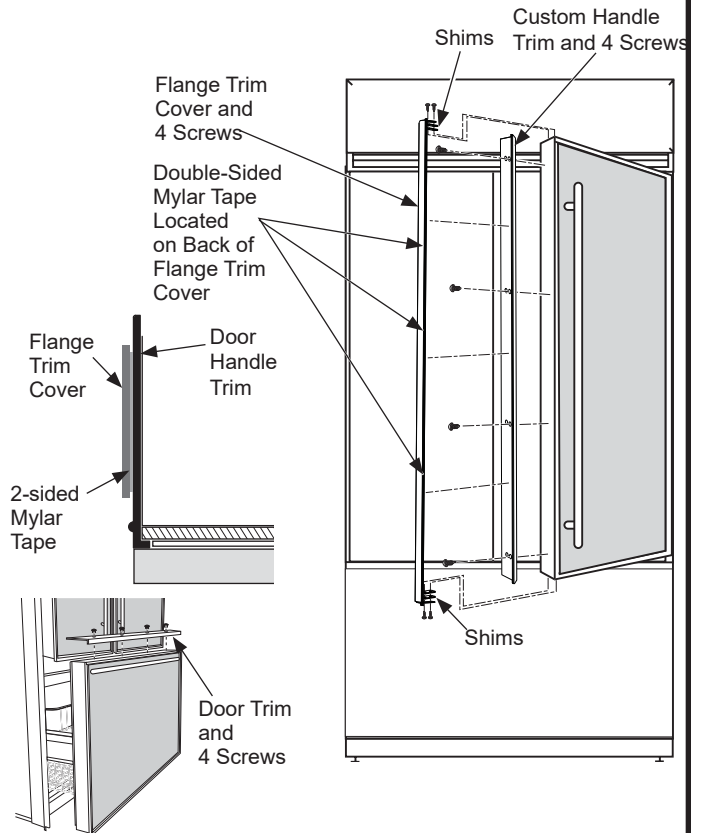
If you are using custom handles, the handle must be properly secured to the panel before sliding the panel into the trim. Custom Handle Trim Kit is provided with this unit.

#### Fresh Food Doors

- Beginning with the right fresh food door, slide assembled door panel into the trim on the door.
- Place the custom handle trim against the side of the refrigerator door, aligned top to bottom. The holes in the trim should align to the holes in the door.
- Attach the custom handle trim with the 4 screws previously removed.
- Remove the paper backing from the mylar tape on the flange trim cover. Place the flange trim cover onto the custom handle trim. The tape will help hold the cover in place. Use shims at the top and bottom of the flange trim cover, between it and the door, making sure the flange trim cover fits flush to the custom handle trim. Using the 4 screws provided in custom handle trim kit, secure the flange trim cover with 2 screws at top and 2 screws at bottom.
- Repeat these steps with the left fresh food door.

#### Freezer drawer

- Slide the assembled panel into the drawer trim.
- Secure the original drawer trim using the original round head trim screws.



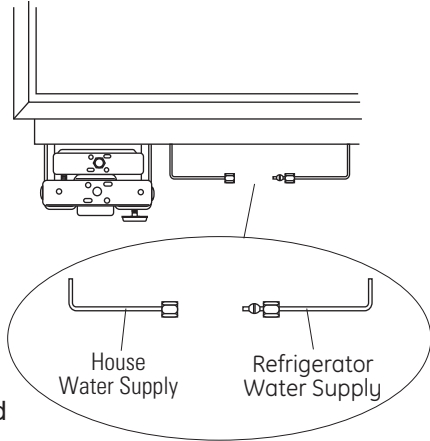
# Installation Instructions

## STEP 11 CONNECT WATER SUPPLY

**⚠ WARNING** Connect to potable water supply only.

**⚠ AVERTISSEMENT** Raccordez l'appareil à une alimentation d'eau potable seulement.

- Locate and bring tubing to the front of the cabinet.
- Turn the water on to flush debris from line. Run about a quart of water through tubing into a bucket, then shut off water.



### Copper Tubing:

- Slip a 1/4" nut and ferrule (provided) over both ends of the copper tubing. Insert tube into the union fitting on the unit and tighten nut to union.
- Turn on the water to check for leaks.

### SmartConnect™ Tubing:

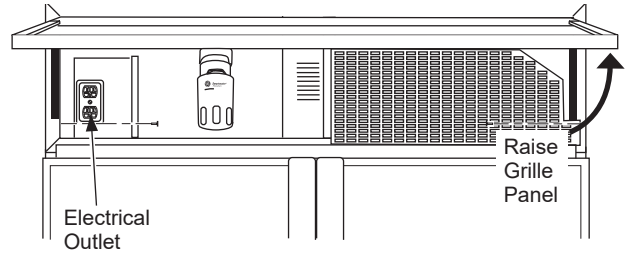
**NOTE:** The only GE Appliances-approved plastic tubing is supplied in the SmartConnect™ Refrigerator Tubing kits. Do not use any other plastic water supply line because the line is under pressure at all times. Other types of plastic may crack or rupture with age and cause water damage to your home.

- Insert the molded end of the tubing into the refrigerator connection. Tighten the compression nut until it is just hand tight.
- Tighten one additional turn with a wrench. Overtightening can cause leaks!
- Turn on the water to check for leaks.

**Note:** Make sure excess tubing length does not interfere with drawer closing or toekick installation.

## STEP 12 CONNECT POWER

- Check to be sure the power cord is plugged into the receptacle.

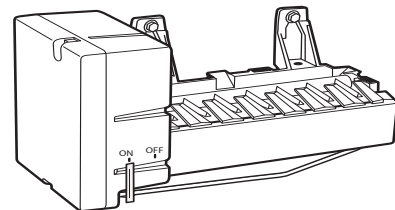


- Check to make sure power to refrigerator is on by opening refrigerator door to see if interior lights are on.
- The temperature controls are preset at 37°F (2.78°C) for the fresh food section and 0°F (-17.78°C) for the freezer.
- Allow 24 hours to stabilize before making adjustments.

## STEP 13 START ICEMAKER

**⚠ CAUTION** Avoid contact with the moving parts of the ejector mechanism, or with the heating element (located on the bottom of the icemaker) that releases the cubes. Do not place fingers or hands on the automatic ice making mechanism while the freezer is plugged in.

**⚠ ATTENTION** Évitez tout contact avec les pièces mobiles du mécanisme d'éjection, ou l'élément chauffant (situé dans le bas de la machine à glaçons) qui libère les glaçons. Ne placez pas les doigts ou les mains sur le mécanisme de production de glace automatique lorsque le congélateur est branché dans la prise électrique.

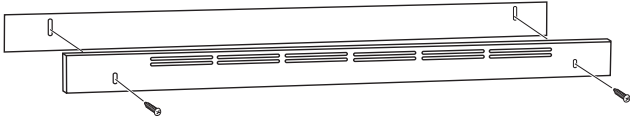


- The icemaker will begin operation automatically.
  - Be sure nothing interferes with the sweep of the feeler arm.
  - Discard the first full bucket of ice cubes.
  - To turn the icemaker off, set the switch to O (OFF).
- NOTE:** Icemaker works best between 40 and 120 PSI (275-827 kPa) home water pressure.

# Installation Instructions

## STEP 14 INSTALL TOEKICK

- Locate the supplied toekicks (shipped taped to the side of the refrigerator).
- The narrower set of toe kicks will be used with standard installation. You can discard the other set of toe kicks.
- Install the toekick assembly with the 2 screws provided, adjust to the desired height and tighten the screws.



**IMPORTANT:** A custom toekick can be installed to match or complement the surrounding cabinetry but can NOT cover the horizontal vent slots of the factory toekick.

## INSPECT FINAL INSTALLATION

Check door alignment

Stand back away from the refrigerator to inspect the final installation.

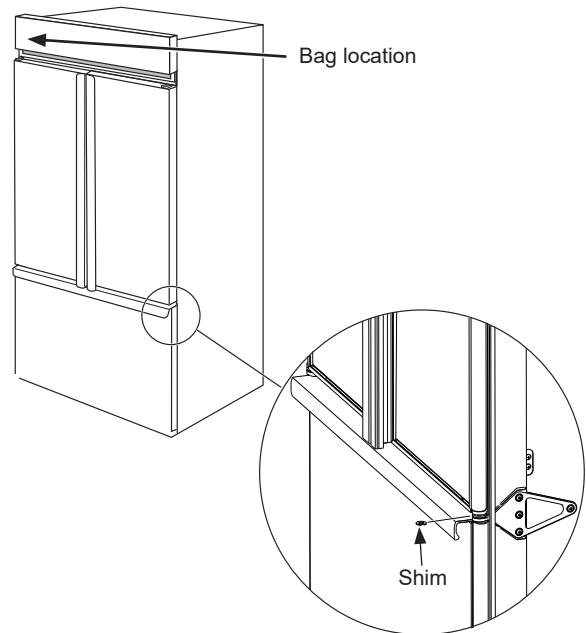
- Installation or the addition of heavy door panels may have caused the doors to move slightly out of alignment. Check to be sure the top of the doors are evenly aligned with each other. If necessary, the doors may be adjusted up or down to align.
- Add or subtract shims as shown to adjust the right door only. More shims are located under the hood on the left side in the bag with the filter bypass plug and mini manual.

### To Raise Right Hand Door

- Lift the right hand door up so there is a gap below the bottom hinge bushing.
- Snap a shim onto the hinge pin below the bushing.
- Lower the door and re-check the alignment.
- Repeat as necessary.

### To Lower Right Hand Door

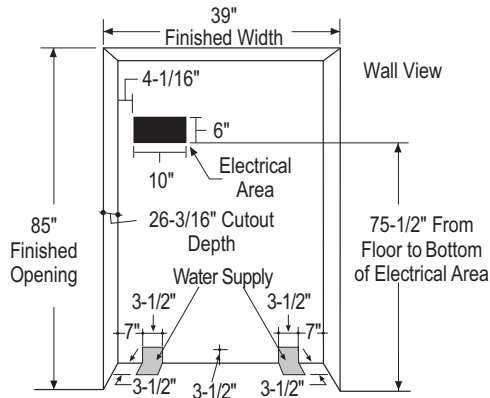
- Lift the right hand door up so there is a gap below the bottom hinge bushing.
- Remove a shim by pushing shim off of the hinge pin.
- Lower the door and re-check the alignment.
- Repeat as necessary.



# **Instructions for Flush Installation**

# Design Guide - Flush Installation

## THE INSTALLATION SPACE



### Water And Electrical Locations

Electrical and water supply must be located as shown.

### The cutout depth must be 26-3/16" (66.52 cm)

The refrigerator will project forward, slightly beyond adjacent cabinetry, depending on your installation. Allow minimum 1/8" (0.32 cm) air gap between case back & wall.

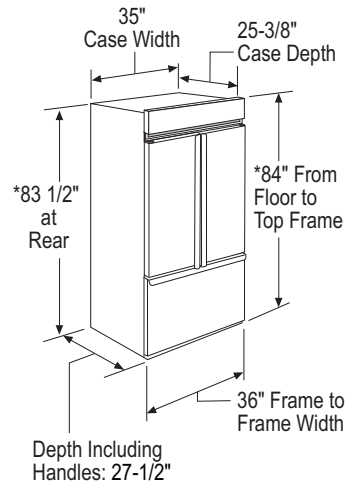
### Cutout depth beneath a soffit:

When installed beneath a soffit, the soffit cannot exceed the 24" (60.96 cm) installation depth shown. The top case trim overlaps the bottom of the soffit.

### Additional Specifications

- A 115 volt 60Hz., 15 or 20 amp power supply is required. An individual properly grounded branch circuit or circuit breaker is recommended. Install a properly grounded 3-prong electrical receptacle recessed into the back wall. Electrical must be located on rear wall as shown.
- Water line can enter the opening through the floor or back wall. Route SmartConnect™ kit or 1/4" O.D. copper tubing between the cold water line and the water connection location. The tubing should be long enough to extend to the front of the refrigerator. Installation of an easily accessible shut-off valve in the water line is required.

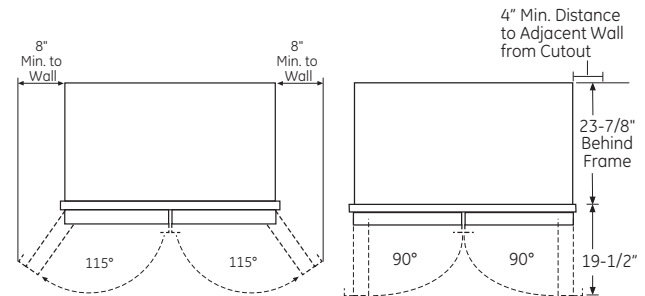
## DIMENSIONS AND CLEARANCES



\* Shipping height. The refrigerator can be adjusted to fit into a cutout that is 85" (215.9 cm) max. height. Use leveling legs and wheels for a maximum 1" (2.54 cm) height adjustment.

### Product Clearances

These refrigerators are equipped with a 3-position door stop. The factory set 115° door swing can be adjusted to 90° if clearance to adjacent cabinets or walls is restricted.



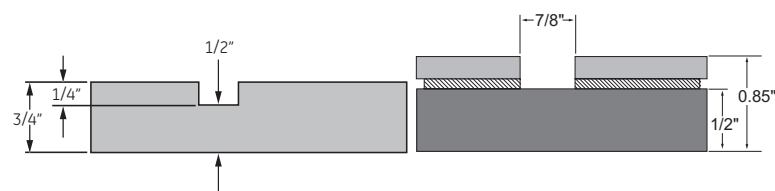
Do not use the 130° door swing option for flush installation.

For a 90° door swing, allow 4" (10.16 cm) min. clearance to adjacent wall from cutout. If the 90° door stop position is used, pan access is maintained, but pan removal is restricted.

## CUSTOM HANDLE DESIGN GUIDE

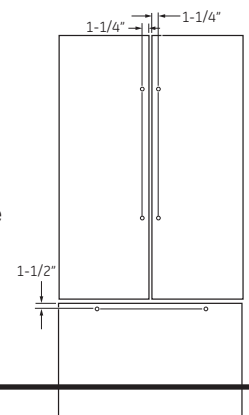
Custom handles must be used for flush installation. For custom handle installation, counterbore holes in rear of decorative panels must ensure 1/2" (1.27 cm) material thickness remains for handle support.

**NOTE:** The counterbore must not exceed 1" in diameter.



Minimum distance on Fresh Food Doors from handle side edge to handle center should be 1-1/4" on each door as shown.

Minimum distance on Freezer Door from top edge to handle center on the freezer drawer should be 1-1/2" (2.54 cm) as shown.



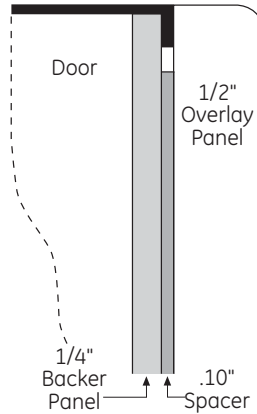
# Design Guide - Flush Installation

## 1/2" (1.27 cm) OVERLAY PANEL DIMENSIONS

For a more custom appearance, overlay panels may be installed on trimmed models. The overlay panel must be secured to a 1/4" (.63 cm) thick backer panel which slides into the trim. A spacer panel 0.10" (0.25 cm) thick must be placed between the overlay and backer panel.

### Assemble the panels with glue and screws:

- Center the spacer panel on the backer panel, left to right and top to bottom. Secure the panels with glue.
- Refer to the following chart for locating the backer panel to the overlay panel. Secure the overlay panel to the backer panel with glue and screws. Screws must be countersunk into the backer panel.



$$.250" + .10" + .50" = .850" \text{ Total Panel Thickness} \\ (0.635 \text{ cm} + 0.254 \text{ cm} + 1.27 \text{ cm} = 2.159)$$

**IMPORTANT NOTE:** Maximum total weight for the assembled panels:

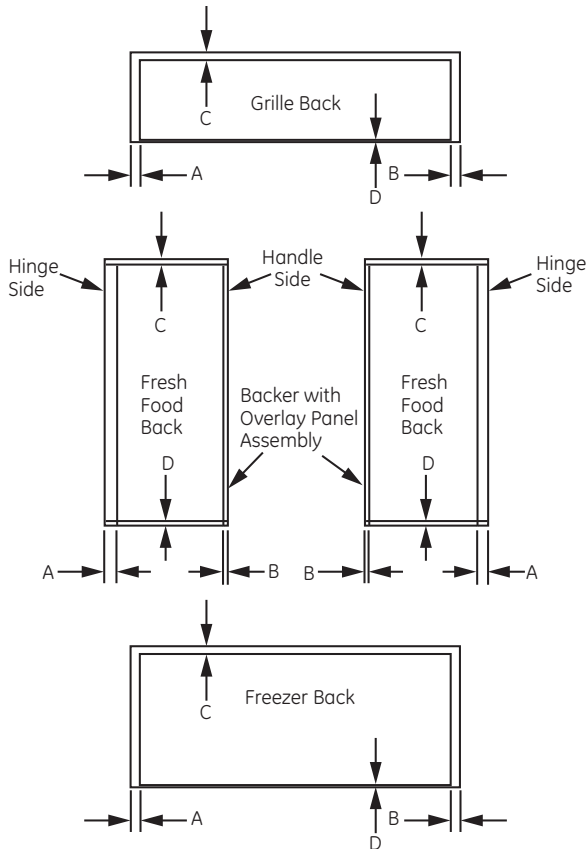
- Fresh food door panels – 30 lbs. (14 kg)
- Freezer drawer panel – 28 lbs.(13 kg)
- Grille Panel – 11 lbs. (5 kg)

### Panel Locations

	A	B	C	D
Door Panels	2-1/16" (5.24 cm)	3/16" (0.47 cm)	3/16" (0.47 cm)	3/16" (0.47 cm)
Drawer Panel	2-1/16" (5.24 cm)	2-1/16" (5.24 cm)	1/4" (0.64 cm)	1/4" (0.63 cm)
Grille Panel	2-1/16" (5.24 cm)	2-1/16" (5.24 cm)	1-11/16" (4.28 cm)	1/4" (0.63 cm)

### Panel Dimensions

	Fresh Food	Freezer	Grille
1/4" (0.63 cm) Backer Panel	46-1/16" x 16-1/2" (116.99 cm x 41.91 cm)	21-7/8" x 33-7/8" (55.56 cm x 86.04 cm)	8-7/8" x 33-7/8" (22.54 cm x 86.04 cm)
.10" (0.25 cm) Spacer Panel	44-11/16" x 15" (113.51 cm x 38.10 cm)	20-1/2" x 32-1/2" (52.07 cm x 82.55 cm)	7-5/8" x 32-1/2" (19.37 cm x 82.55 cm)
1/2" (1.27 cm) Overlay Panel	46-7/16" x 18-3/4" (120.49 cm x 47.63 cm)	22-3/8" x 38" (56.83 cm x 96.52 cm)	10-13/16" x 38" (27.46 cm x 96.52 cm)



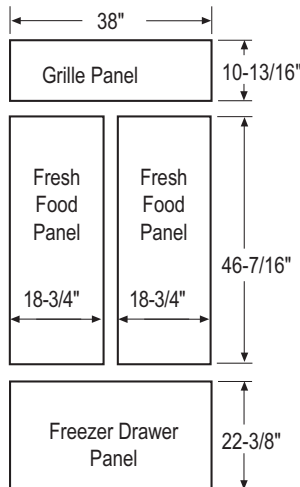


# Design Guide - Flush Installation

## 3/4" (1.9 cm) DECORATIVE PANEL DIMENSIONS

For a more custom appearance, overlay panels may be installed to give a flush appearance with surrounding cabinets. The overlay panel must be 3/4" (1.9 cm) thick. Panel attaches to included brackets to provide mounting to the appliance door.

**NOTE:** We recommend that decorative panels have inside corners and edges rounded or beveled by cabinet maker to avoid sharp edges on the panels. Edges to be treated should include the top, bottom and hinge side edges.



**IMPORTANT NOTE:** Maximum total weight for the assembled panels:

- Fresh food door panels – 30 lbs. (14 kg)
- Freezer drawer panel – 28 lbs.(13 kg)
- Grille Panel – 11 lbs. (5 kg)

### ⚠ WARNING



#### Door Trim Pinch Point Hazard

Improper installation can lead to a finger pinch point hazard between the side door trim and the cabinets when operating the door, especially with children. To minimize this risk you must follow the installation instructions for cabinet dimensions, trim assembly, and door stop angle.

### ⚠ AVERTISSEMENT



#### Risque de pincement de doigts

Une installation incorrecte peut poser un risque de coincement de doigts entre la garniture de porte latérale et les armoires en actionnant la porte, en particulier pour les enfants. Pour réduire ce risque, vous devez suivre les instructions d'installation relatives aux dimensions d'armoire, au montage des garnitures et à l'angle de l'arrêt de porte.

## CUSTOMIZATION BASICS: Framed Or Overlay Panels, Custom Handles and Accessory Kits

These refrigerators are designed to be customized with decorative panels. Field installed custom door and grille panels are required.

### Side Panels

Side panels must be used whenever the sides of the refrigerator will be exposed.

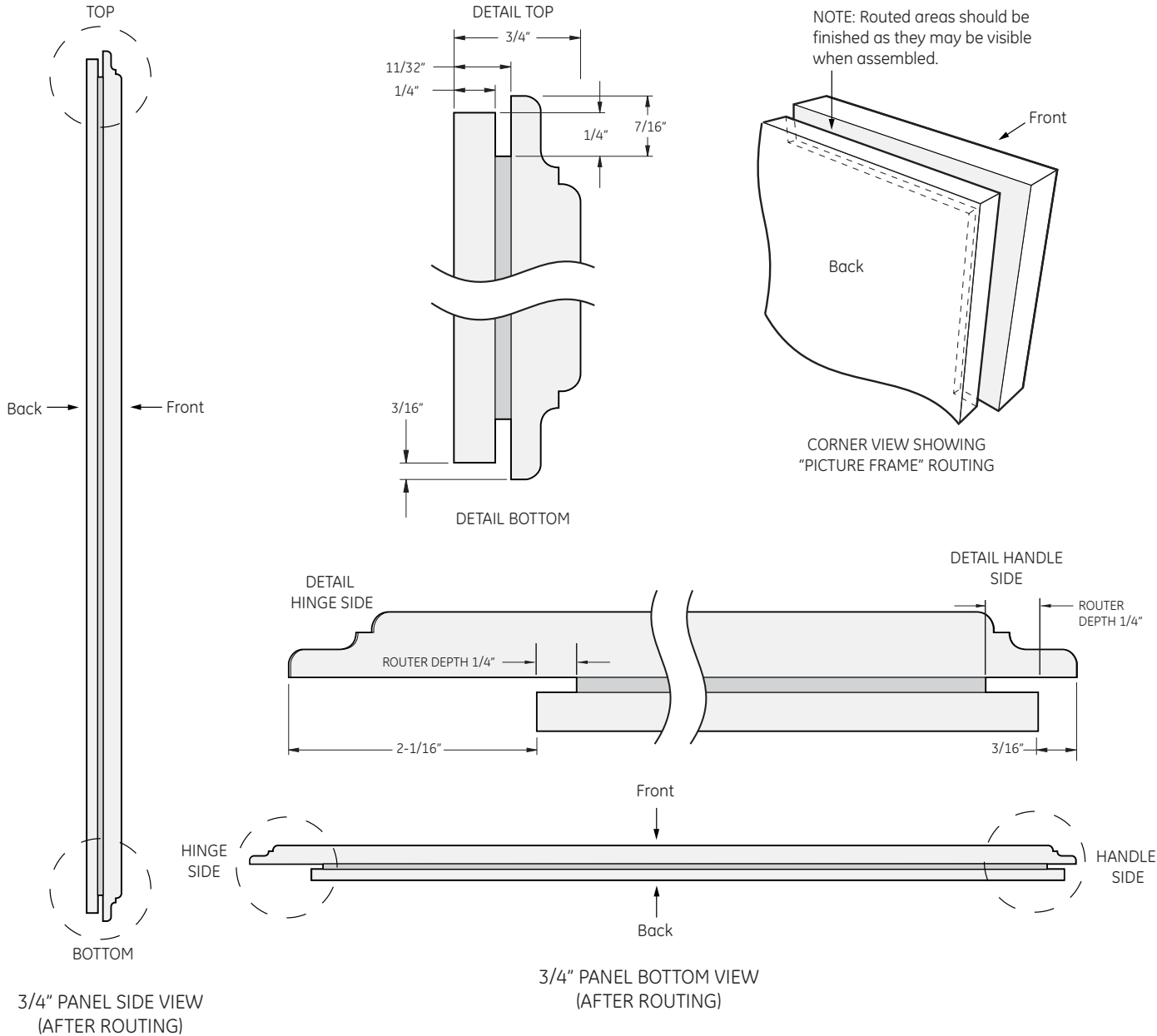
## REFRIGERATOR LOCATION

- Do not install the refrigerator where the temperature will go below 55°F (13°C). It will not run often enough to maintain proper temperatures.
- Do not install the refrigerator where temperatures will go above 100°F (37°C). It will not perform properly.
- Do not install the refrigerator in a location exposed to water (rain, etc.) or direct sunlight.
- Install it on a floor strong enough to support it fully loaded.

# Design Guide - Flush Installation

## 3/4" (1.9 cm) RAISED FRESH FOOD DOOR PANEL ROUTING

For 3/4" (1.9 cm) raised door panels, routing is required. The router depth is 1/4" (0.63 cm) all the way around the panel back. Additional panel width reductions are required per the diagrams below. This will create a "picture frame" routing that will slide onto the attached door trim.

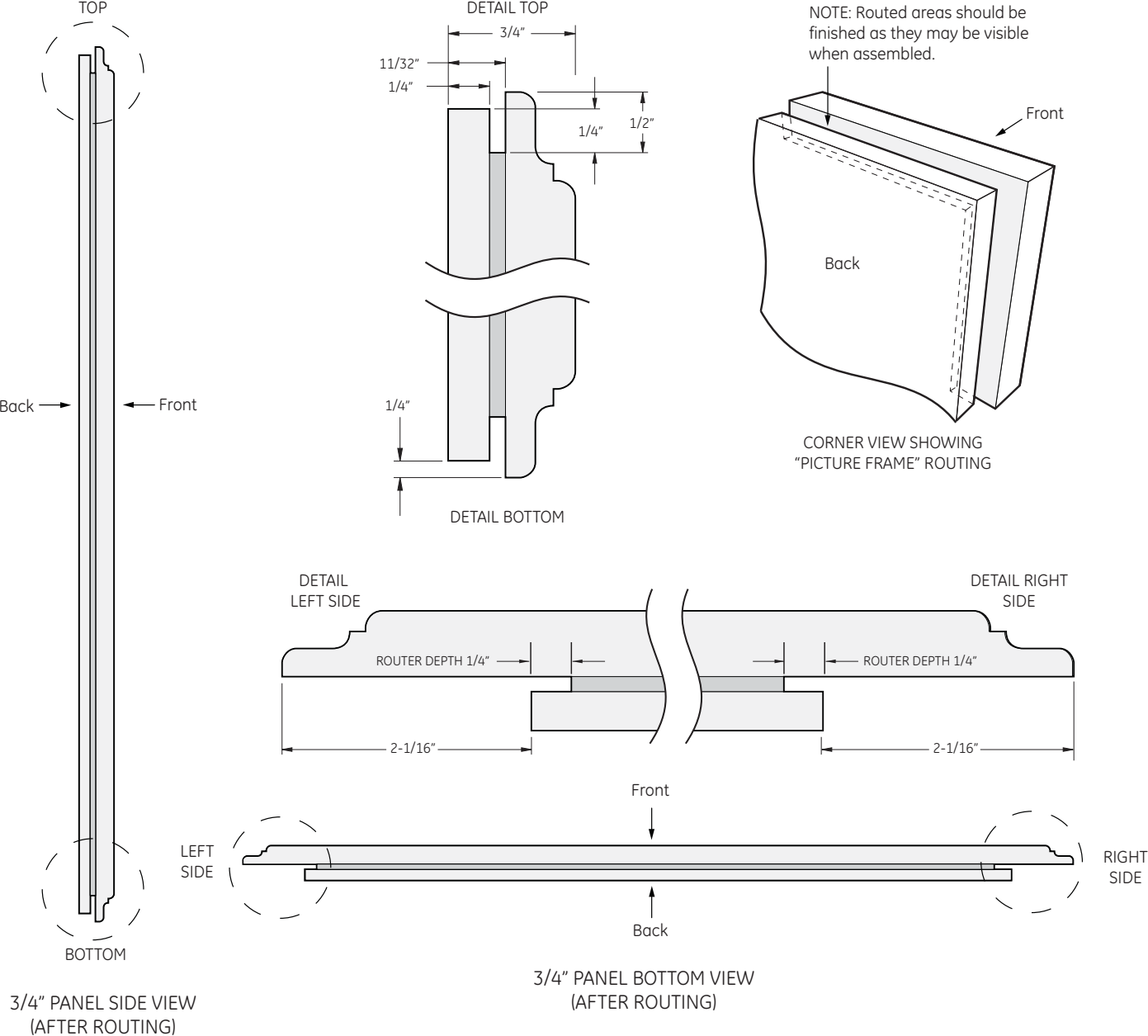


**NOTE:** For panels constructed with rails and stiles (5-panel), the minimum width is 3" (7.62 cm) for rails and 4" (10.16 cm) for stiles.

# Design Guide - Flush Installation

## 3/4" (1.9 cm) RAISED FREEZER DRAWER PANEL ROUTING

For 3/4" (1.9 cm) raised door panel, routing is required. The router depth is 1/4" (0.63 cm) all the way around the panel back. Additional panel width reductions are required per the diagrams below. This will create a "picture frame" routing that will slide onto the attached door trim.

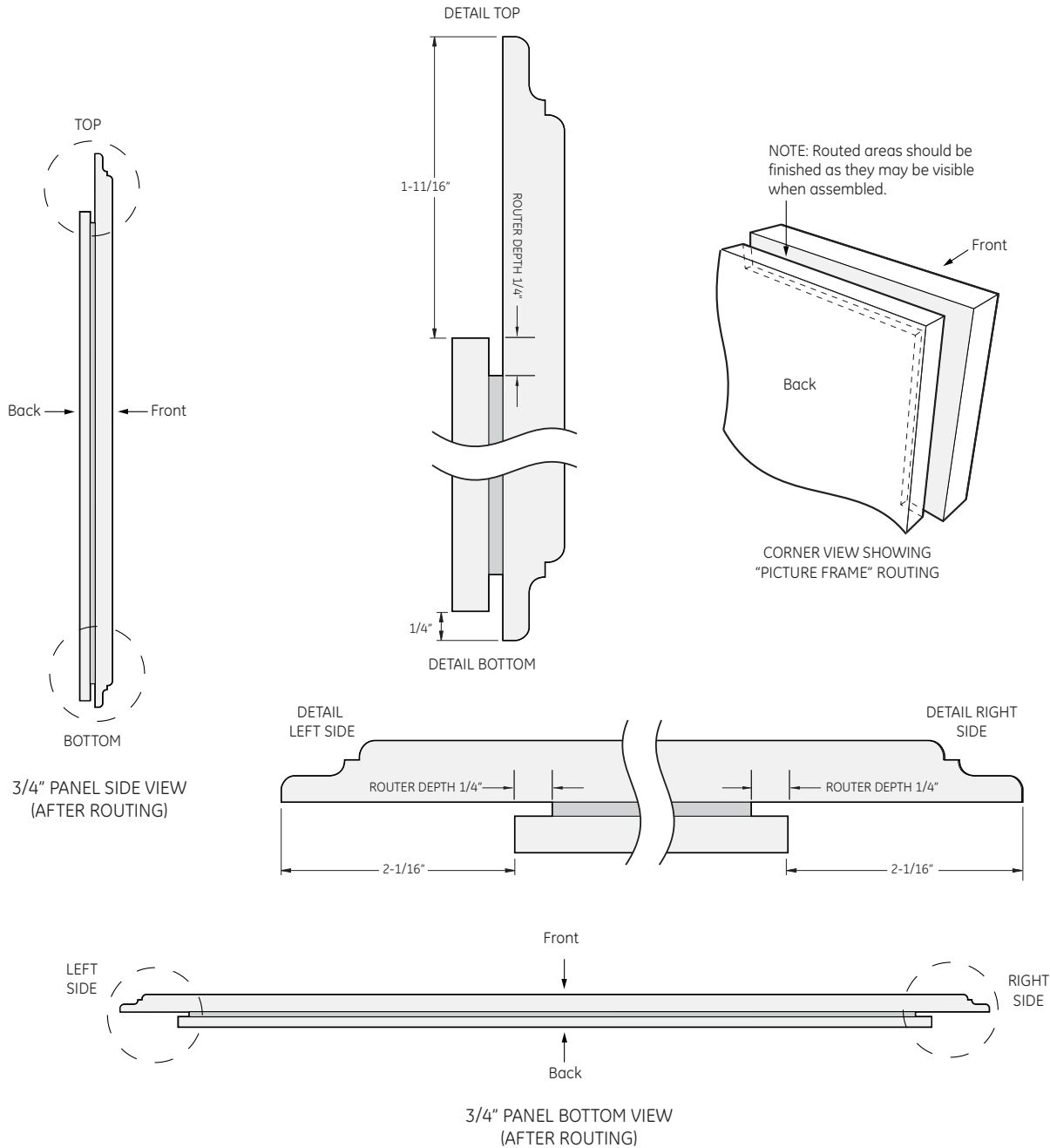


**NOTE:** For panels constructed with rails and stiles (5-panel), the minimum width is 33" (7.62 cm) for rails and 4" (10.16 cm) for stiles.

# Design Guide - Flush Installation

## 3/4" (1.9 cm) RAISED GRILLE PANEL ROUTING

For 3/4" (1.9 cm) raised grille panel, routing is required. The router depth is 1/4" (0.63 cm) all the way around the panel back. Additional panel width reductions are required per the diagrams below. This will create a "picture frame" routing that will slide onto the attached grille trim.



**NOTE:** For panels constructed with rails and stiles (5-panel), the minimum width is 3" (7.62 cm) for rails and 4" (10.16 cm) for stiles.

### Optional Accessory Kit

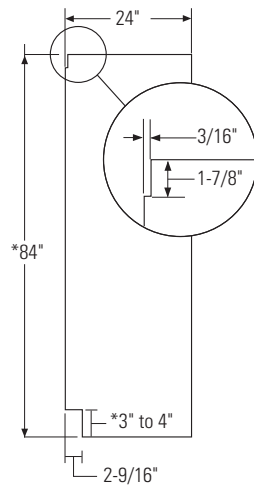
- ZKHFD2H: Monogram Tubular Stainless Steel handles designed to fit 3/4" (1.9 cm) overlay panels.

# Design Guide - Flush Installation

## SIDE PANELS

Side panels must be used whenever the sides of the refrigerator will be exposed. The 1/4" (0.63 cm) side panels will slip into the side case trim. Secure the panels to the refrigerator with stick-on hook and loop fastener strips. Order the side panels from the cabinet manufacturer.

- Cut a notch in the top front corner as shown to allow clearance for corner keys in the front side trim.

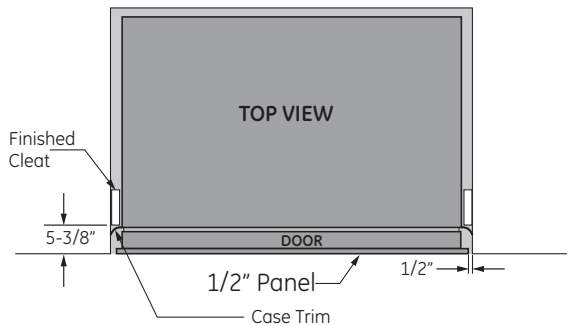
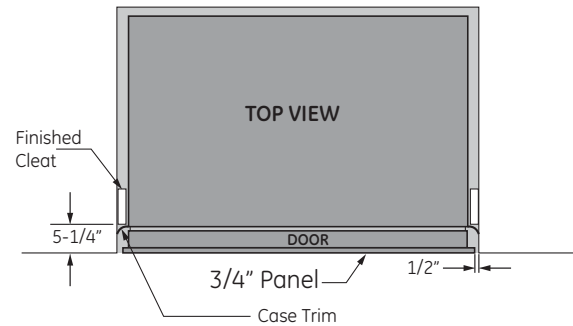


\* Depending on installation height.

## SIDE CLEATS

Wood cleats are required to be installed vertically down both sides of the cabinet opening to provide depth stop for the refrigerator when installed into the opening.

The cleat should be installed per the diagrams below based on the type of panel being used.



# Installation Instructions

## TOOLS REQUIRED

- Tinsnips to cut banding
- Bucket
- Appliance Hand Truck
- 7/16" open-end wrench
- Drill and appropriate bits
- Safety glasses
- Pliers
- Stepladder
- Level
- Tubing cutter
- #2 Phillips screwdriver
- 5/16", 7/16" socket
- 1-1/4" open end wrench
- 1/4" ratchet

## HARDWARE SUPPLIED

- Water filter bypass plug
- Anti-Tip brackets
- 1/4" nut and ferrule
- Flush inset bracket pack
- Custom Handle Trim Kit (Shorter box taped to the front of refrigerator packaging)
- Case Trim (Longer box taped to the front of refrigerator packaging)

## MATERIALS REQUIRED

- 35" (88.9 cm) long 2x4 for Anti-Tip support
- 1/4" copper water line tubing or SmartConnect™ Refrigerator Tubing kits
- Water shut-off valve
- Custom panels for fresh food door, freezer drawer and grille panel
- Screws to secure refrigerator to cabinetry.
- Stick-on hook and loop fastener strips for 1/4" (0.63 cm) side panels

## FLOORING

For proper installation, this refrigerator must be placed on a level surface of hard material that is at the same height as the rest of the flooring. This surface should be strong enough to support a fully loaded refrigerator, or

approximately 1,200 lbs. (544.31 cm).

**NOTE:** Protect the finish of the flooring. Cut a large section of the cardboard carton and place under the refrigerator where you are working.

## GROUNDING THE REFRIGERATOR

**⚠ WARNING**  **Electrical Shock Hazard.**

Failure to follow these instructions can result in death, fire, or electrical shock.

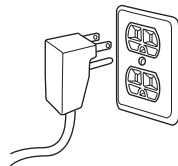
The power cord of this appliance is equipped with a 3-prong (grounding) plug which mates with a standard 3-prong (grounding) wall receptacle to minimize the possibility of electric shock hazard from this appliance. Have the wall outlet and circuit checked by a qualified electrician to make sure the outlet is properly grounded.

Where a standard 2-prong wall outlet is encountered, it is your personal responsibility and obligation to have it replaced with a properly grounded 3-prong wall outlet.

**DO NOT, UNDER ANY CIRCUMSTANCES, CUT OR REMOVE THE THIRD (GROUND) PRONG FROM THE POWER CORD.**

**DO NOT USE AN ADAPTER PLUG TO CONNECT THE REFRIGERATOR TO A 2-PRONG OUTLET.**

**DO NOT USE AN EXTENSION CORD WITH THIS APPLIANCE.**



## MISE À LA TERRE DU RÉFRIGÉRATEUR

**⚠ AVERTISSEMENT**  **Risque de choc électrique.**

Le non-respect de ces instructions peut entraîner des risques d'incendies, des chocs électriques ou la mort.

Le cordon d'alimentation de cet appareil est équipé d'une fiche à trois broches (pour une mise à la terre) qui s'adapte à la prise de courant standard à 3 broches (pour une mise à la terre) pour minimiser les risques de chocs électriques par cet appareil.

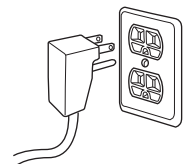
Faites vérifier la prise murale et le circuit électrique par un électricien qualifié pour s'assurer que le système est correctement mis à la terre.

Dans le cas d'une prise biphasée, l'installateur a la responsabilité et l'obligation de la remplacer par une prise triphasée correctement mise à la terre.

**NE COUPEZ PAS OU N'ENLEVEZ PAS, SOUS AUCUN PRÉTEXTE, LA TROISIÈME BROCHE DE MISE À LA TERRE DU CORDON D'ALIMENTATION.**

**N'UTILISEZ PAS D'ADAPTATEUR POUR BRANCHER LE RÉFRIGÉRATEUR À UNE PRISE BIPHASÉE.**

**N'UTILISEZ PAS DE RALLONGE AVEC CET APPAREIL.**



# Installation Instructions

## STEP 1 REMOVE PACKAGING

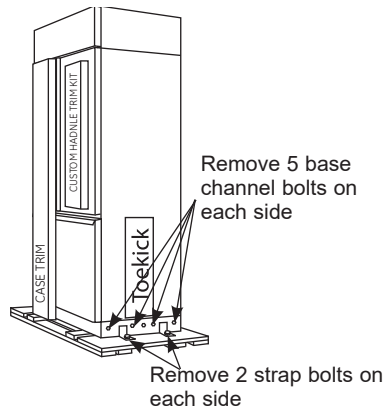
### ⚠ WARNING Tip Over Hazard.

Refrigerator is much heavier at the top than at the bottom. To avoid a risk of death or serious injury, be careful when moving, and when using a hand truck, handle only from side.  
DO NOT ATTEMPT TO ROLL UNIT OFF SKID.

### ⚠ AVERTISSEMENT Risque de

**basculement** Parce que le haut du réfrigérateur est plus lourd que sa base, la prudence est de mise lors son déplacement, de l'utilisation d'un diable-brouette, de sa manipulation faite seulement sur son côté afin d'éviter les blessures graves ou mortelles. IL NE FAUT PAS ESSAYER DE FAIRE ROULER L'APPAREIL MÉNAGER POUR L'ENLEVER DE LA PALETTE.

- Carefully cut banding at the top and bottom, remove the outer carton.
- Slide out the back corner posts (2).
- Slide the carton off the top of the cabinet.



**NOTE:** IT IS NOT NECESSARY TO LAY THE CABINET DOWN IN ORDER TO REMOVE THE SKID!

- The unit is secured to the skid with 2 full-length tie-down straps. Remove the ten 5/16" bolts from the base channels in the tie-downs.
- Remove the four 7/16" bolts securing the straps to the skid.

**NOTE:** DO NOT ATTEMPT TO ROLL UNIT OFF SKID.

- The support blocks on the bottom of the refrigeration case must be removed before the refrigerator is taken off the skid or damage will occur. Carefully tilt the refrigerator and slide the blocks out from beneath.
- Remove the toekick and set aside for final installation.
- Remove the case trim box and Custom Handle Kit box and set aside for final installation.
- Lift the refrigerator off the skid with an appliance dolly. Handle from the sides.

## STEP 2 INSTALL WATER LINE

### ⚠ WARNING Connect to potable water supply only.

⚠ AVERTISSEMENT Raccordez l'appareil à une alimentation d'eau potable seulement.

- A cold water supply is required for automatic icemaker operation. The water pressure must be between 40 and 120 p.s.i. (275-827 kPa).
- Route 1/4" OD copper or SmartConnect™ plastic tubing between house cold water line and the water connection location.
- Tubing should be long enough to extend to the front of the refrigerator. Allow enough tubing to accommodate bend leading into the water line connection.

**NOTE:** The only GE Appliances-approved plastic tubing is supplied in the SmartConnect™ Refrigerator Tubing kits. Do not use any other plastic water supply line because the line is under pressure at all times. Other types of plastic may crack or rupture with age and cause water damage to your home.

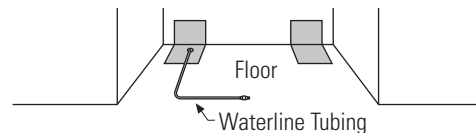
SmartConnect™ Refrigerator Tubing Kits are available in the following lengths:

- 2' (.6 m) WX08X10002
- 8' (2.4 m) WX08X10006
- 15' (4.6 m) WX08X1 0015
- 25' (7.6 m) WX08X10025

### Shut off the main water supply.

Turn on the nearest faucet long enough to clear the line of water.

- Install a shut-off valve between the icemaker water valve and cold water pipe in a basement or cabinet. The shut-off valve should be located where it will be easily accessible.
- Turn on the main water supply and flush debris. Run about a quart of water through the tubing into a bucket. Shut off water supply at the shut-off valve.



**NOTE:** Saddle type shut-off valves are included in many water supply kits, but are not recommended for this application.

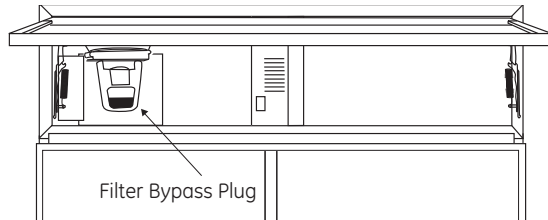
**NOTE:** Commonwealth of Massachusetts Plumbing Codes 248CMR shall be adhered to. Saddle valves are illegal and use is not permitted in Massachusetts. Consult with your licensed plumber.

# Installation Instructions

## STEP 2A WATER LINE INSTALLATION WITH A REVERSE OSMOSIS SYSTEM

### Skip this step when not using an RO System

If the water supply to the refrigerator is from a Reverse Osmosis Water System, use the refrigerator's filter bypass plug. Using the refrigerator's water filtration cartridge with the RO filter can result in hollow ice cubes.



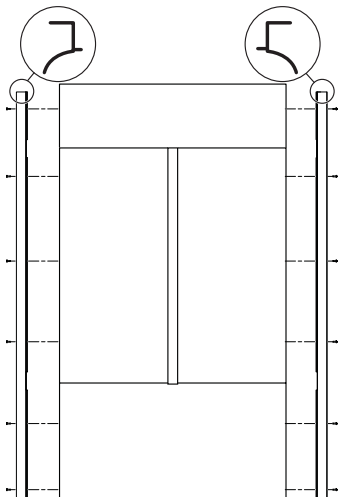
## STEP 3 INSTALL SIDE PANELS

### Skip this step when not using side panels

If you are using 1/4" (0.63 cm) side panels, they should be inserted into the case trim. Fasten the panels to the refrigerator with stick-on hook and loop fastener strips before setting refrigerator in place.

## STEP 4 INSTALL CASE TRIM

The unit arrives with case trim for standard installation attached. Flush installation case trim is provided. Remove the factory installed case trim. Install new case trim using supplied right hand and left hand case trim pieces and case trim screws. Attach case trim to each side of case as shown in illustration using case trim screws in holes provided down each side of the case. The cutouts on the case trim should align with the lower fresh food door hinges.



## STEP 5 ANIT-TIP PROCEDURE

### ⚠ WARNING



### Tip Over Hazard.

These refrigerators are top heavy, especially with any doors open, and must be secured to prevent tipping forward which could result in death or serious injury. Read and follow the entire installation instructions for securing the refrigerator with the anti-tip system.

### ⚠ AVERTISSEMENT

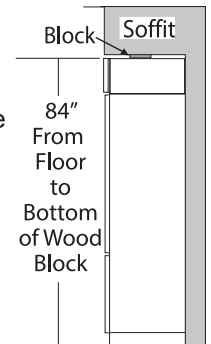


### Risque de

### basculement

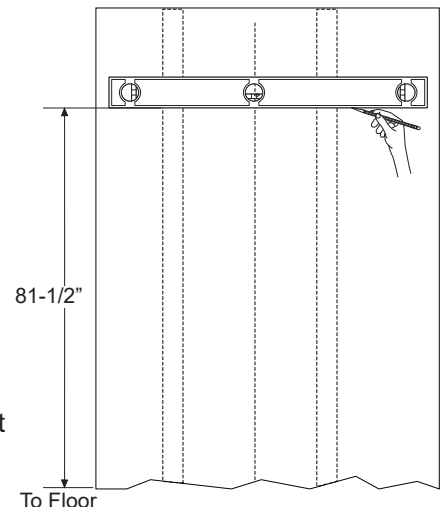
Ces réfrigérateurs présentent une partie supérieure lourde, en particulier avec une porte ouverte; ils doivent donc être fixés pour prévenir le basculement vers l'avant et le risque concomitant de blessure grave ou fatale. Lisez et suivez les instructions d'installation complètes pour l'installation du système anti-basculement.

- Cut a 1" (2.54 cm) x 4" (10.16 cm) block, 35" (88.9 cm) long.
- Measure and mark under the soffit, 5-1/4" (13.33 cm) from the front edge of the cabinet.
- Secure the wood block to under the soffit. From the bottom of the block to the finished floor should measure 84" (213.36 cm). See the illustration.



Side View

- The kit supplied with the unit contains 2 lag bolts and 4 toggles with bolts. The wall bracket will be attached to the wall in 4 places.
- Measure the opening where the unit is to be installed. Mark the center with a vertical line.
- Measure up 81-1/2" (207.01 cm) from the floor. Mark this point on the wall.
- Using a level, draw a horizontal line on the wall at this height.

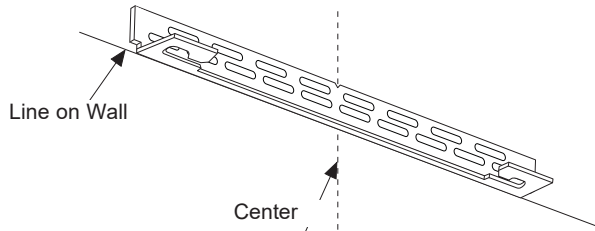




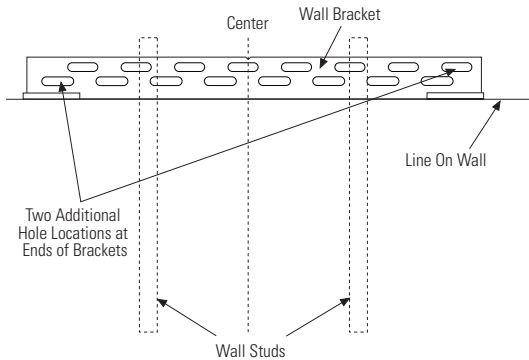
# Installation Instructions - Flush Installation

## STEP 5 INSTALL ANTI-TIP BRACKET (cont.)

- Locate at least 2 studs on the back wall. Mark these points on the horizontal line.
- Place the bottom of the wall bracket with tabs on the horizontal line. Align the center notch on the bracket with the center line on the wall.



- The anti-tip wall bracket has a series of holes. Select 2 holes that match with the located studs. Make sure the holes selected are on the center of the studs. Mark the wall at these points.
- Mark an additional hole at each end of the bracket. If one of the studs is closer to the end of the bracket, mark an additional hole towards the center of the bracket.



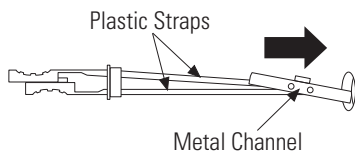
- Drill 1/2" (1.27 cm) holes into the wall board at the locations marked for the toggles to be mounted (not the stud markings).
- Drill 3/16" (0.47 cm) holes into wooden studs where marked. If steel stud construction, drill 1/2" (1.27 cm) holes into the studs where marked. You will use 2 toggles with the metal studs.

### Install Wall Toggles:

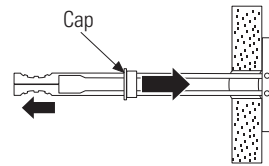
The wall toggles and bolts can be ordered as Service Kit #WR49X10193. Wall toggles are installed in the drywall and metal studs for stability. Install the wall toggles as follows:

- Drill 1/2" (1.27 cm) holes at the wall markings made in the holes at the ends of the wall bracket.

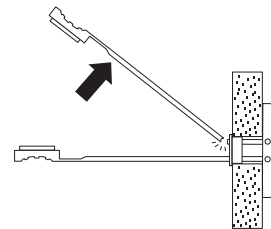
- Hold the metal channel flat against the plastic straps and slide the channel through the hole.



- Gently pull back at the ends of the plastic straps to make the channel rest flush behind the wall.
- Hold the ends of the straps in one hand and slide the plastic cap along the straps until the flange of the cap is flush with the wall.

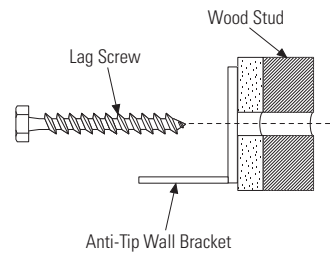


- Place your thumb between the plastic straps and bend up and down to snap the straps off at the wall.

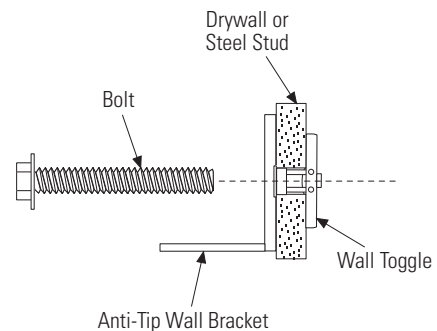


### Install Screws and Bolts:

- Have someone hold the wall bracket centered in place with each of the holes aligned with the correct opening in the bracket and level with the horizontal line.
- Insert the lag screws through the bracket and into the stud. Tighten with a wrench.



- Insert the bolts into the toggle by hand until snug. Tighten with a wrench.



# Installation Instructions - Flush Installation

## STEP 5 ANIT-TIP PROCEDURE (CONT)

### CONNECT POWER CORD:

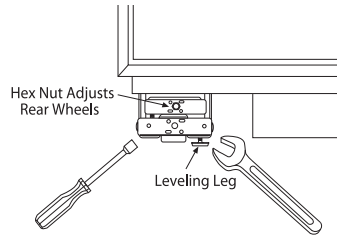
- Before pushing the refrigerator into the opening, plug the power cord into the receptacle. Open the grille panel and reach into the opening at the back to grasp the power cord. Pull the power cord into the opening as you push the refrigerator back.
- Gently push refrigerator into the opening with hands against front corners.

**IMPORTANT:** When the refrigerator is installed under a soffit or if there is not enough height for this method of security, brackets cannot be used. Proceed to step 6 to level the refrigerator and then to step 8 to secure refrigerator to cabinets.

## STEP 6 LEVEL REFRIGERATOR

All models have 4-point leveling. The front is supported by leveling legs, the rear is supported by adjustable wheels. Both are accessible from the front of the refrigerator.

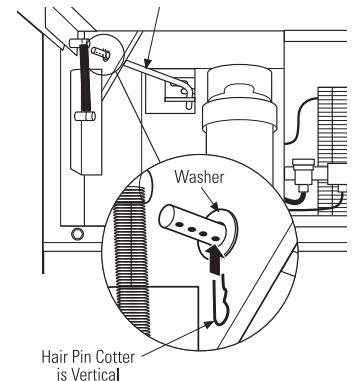
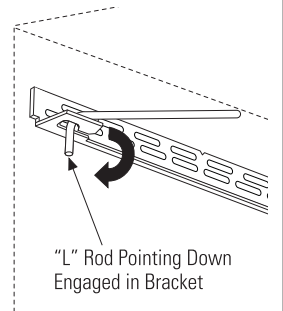
- To level the back of the refrigerator, turn the 7/16" hex nut located above the front wheels. Turn clockwise to raise or counterclockwise to lower the refrigerator.
- For front leveling, use a 1-1/4" open-end wrench.
- Adjust height of refrigerator to match installation cutout opening 83-1/2" (212.09 cm) to 84-1/2" (214.63 cm). The refrigerator should be level and plumb with cabinetry.



The rear leveling wheels and front leveling legs are limited to a maximum height adjustment of 1" (2.54 cm). If the installation requires more than 84-1/2" (214.63 cm) height, the installer should elevate the refrigerator on a sheet of plywood or runners. Cabinetry trim could also be added across the top of the opening to shorten the opening. If you attempt to raise the refrigerator more than 1" (2.54 cm), you will damage the front leveling legs and the rear leveling wheels.

## STEP 7 SECURE UNIT TO WALL

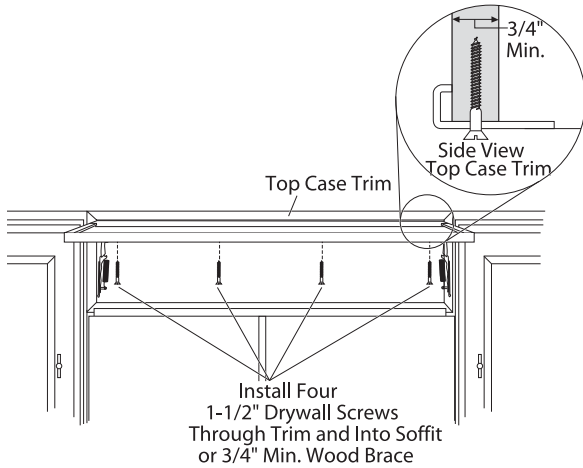
- The "L" rod can be found in the upper left corner of the unit in the access compartment. Look through the access compartment to make sure the rod lines up with the anti-tip bracket.
- There are 2 washers and a hair pin cotter with the rod. Remove the washers and hair pin cotter from the end of the rod.
- Rotate and move the "L" rod into the slot in the anti-tip bracket. Once it is in the slot, rotate the "L" rod so the hook portion is pointing down. The holes at the front end of the rod should be in a vertical position.
- Pull out on the end of the rod to make sure it is secure in the bracket.
- Locate the hole on the rod that is closest to the unit. A hair pin cotter will be put through this hole to secure the rod. If this hole appears to be too far away for a snug fit against the unit, add the washers one at a time until the pin will fit tightly into the hole.
- Align the straight section of the pin with the hole from the underside of the rod. Push the pin up until it snaps into position. Pliers may be used. **NOTE:** The hair pin cotter must be vertical when this step is completed to ensure the "L" rod is engaged in the bracket.
- Check the rod for tightness by pulling forward. If the rod moves, remove the hair pin cotter and place another washer on the rod. Reinsert the pin.



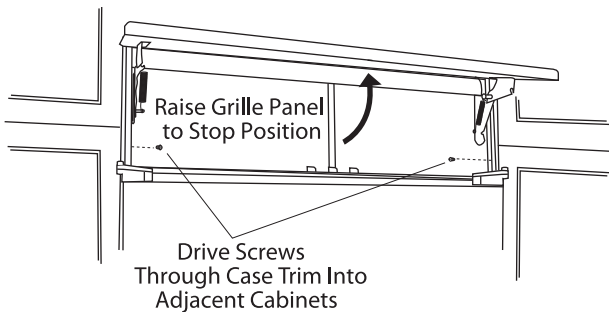
# Installation Instructions - Flush Installation

## STEP 8 ALTERNATE ANTI-TIP PROCEDURE

The refrigerator must be secured to prevent tipping. If the anti-tip bracket cannot be used, this alternate procedure may be used to secure the refrigerator against tip-over



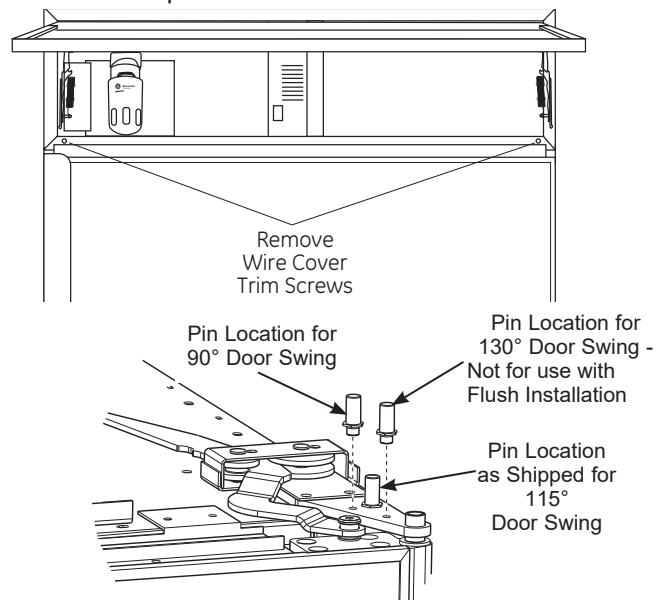
- Raise the grille panel to access case trim.
- Use a 3/16" bit to drill four evenly spaced clearance holes through the metal top case trim.
- Use a 1/16" bit to drill to pilot holes through the metal clearance holes and into the wood soffit. The holes should be centered in the soffit or a 3/4" min. wood brace. The brace spanning the enclosure must be securely fastened to cabinets on both sides.
- Install four, 1-1/2" (3.81 cm) drywall screws into the pilot holes.
- If no soffit above the unit, drill screws into adjacent cabinets through the side case trim.



## STEP 9 ADJUST DOOR SWING

**NOTE:** This refrigerator has a 3-position door stop. When space does not allow the door to swing open fully to 115°, you may change the door swing to a 90° opening. A 130° door swing is available for standard installation only. If used for flush installation, damage will occur to wood panels. **Skip this step if door opening is satisfactory for your installation situation.**

- Lift the grille panel to access the wire cover trim.
- Remove screws on both sides of the wire cover trim and rotate off.
- Use pliers to unscrew door stop and reinstall into the 90° or 130° position.



- Reinstall the wire cover trim.

### ⚠ WARNING



**Door Trim Pinch Point Hazard**  
Improper installation can lead to a finger pinch point hazard between the side door trim and the cabinets when operating the door, especially with children. To minimize this risk you must follow the installation instructions for cabinet dimensions, trim assembly, and door stop angle.

### ⚠ AVERTISSEMENT

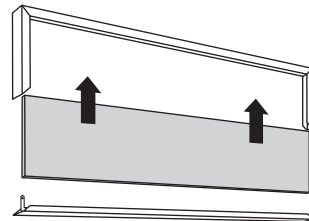
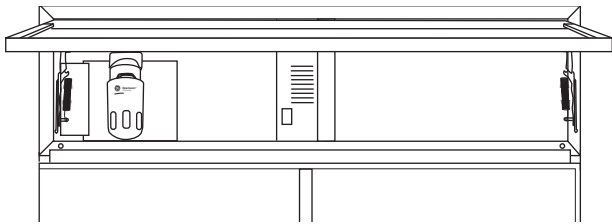


**Risque de pincement de doigts**  
Une installation incorrecte peut poser un risque de coincement de doigts entre la garniture de porte latérale et les armoires en actionnant la porte, en particulier pour les enfants. Pour réduire ce risque, vous devez suivre les instructions d'installation relatives aux dimensions d'armoire, au montage des garnitures et à l'angle de l'arrêt de porte.

# Installation Instructions - Flush Installation

## STEP 10 INSTALL GRILLE PANEL

- Raise the access panel to the stop position.



- Loosen the screws on the side trim behind the frame. Remove the bottom trim.
- Slide the panel over the metal baker panel and into the trim.
- If necessary, tap with a wood block until the panel slips under the top trim piece.
- Reassemble the bottom trim. Tighten the screws.
- Adjust the hinge spring to accommodate the panel weight, if necessary.

## STEP 11 INSTALL ASSEMBLED PANELS

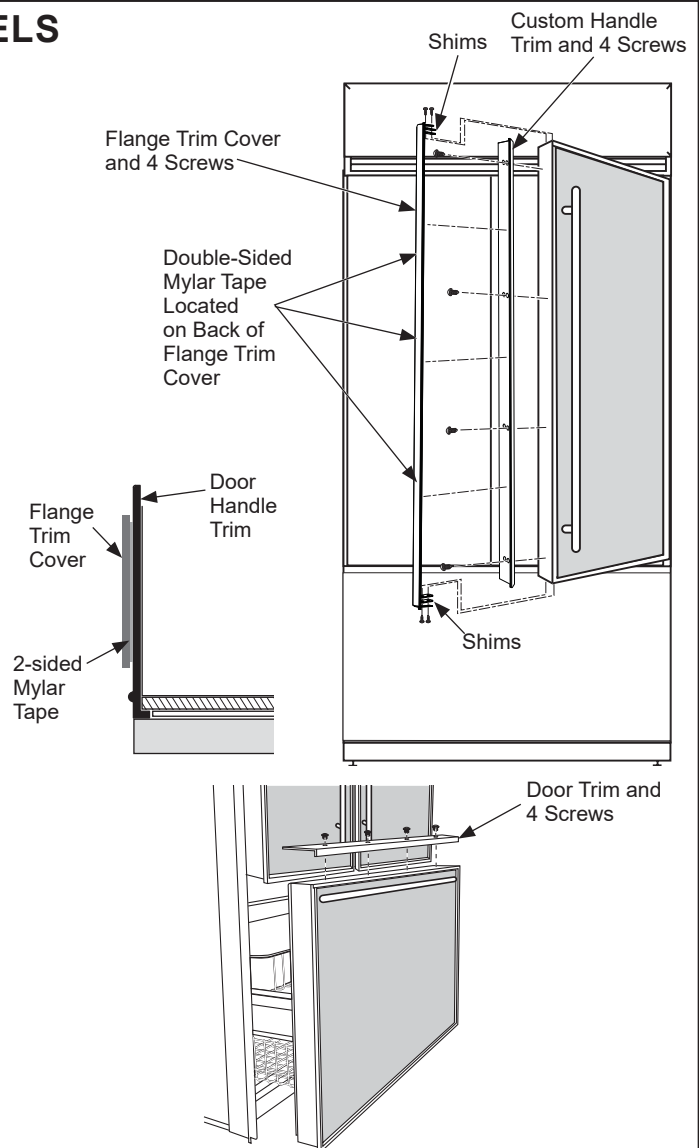
- Install custom handles according to the manufacturer's instructions. Custom handle trim kit is provided with this unit.

### FRESH FOOD DOORS

- Beginning with the right fresh food door, slide assembled door panel into the trim on the door.
- Place the custom handle trim against the side of the refrigerator door, aligned top to bottom. The holes in the trim should align to the holes in the door.
- Attach the custom handle trim with the 4 screws previously removed.
- Remove the paper backing from the mylar tape on the flange trim cover. Place the flange trim cover onto the custom handle trim. The tape will help hold the cover in place. Use shims at the top and bottom of the flange trim cover, between it and the door, making sure the flange trim cover fits flush to the custom handle trim. Using the 4 screws provided in custom handle trim kit, secure the flange trim cover with 2 screws at top and 2 screws at bottom.
- Repeat these steps with the left fresh food door.

### FREEZER DRAWER

- Slide the assembled panel into the drawer trim.
- Secure the original drawer trim using the original round head trim screws.

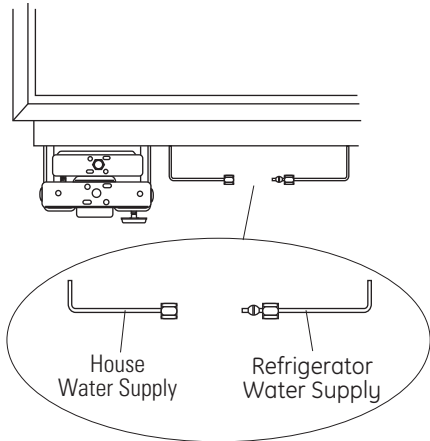


# Installation Instructions

## STEP 12 CONNECT WATER SUPPLY

**⚠ WARNING** Connect to potable water supply only.

**⚠ AVERTISSEMENT** Raccordez l'appareil à une alimentation d'eau potable seulement.



- Locate and bring tubing to the front of the cabinet.
- Turn the water on to flush debris from line. Run about a quart of water through tubing into a bucket, then shut off water.

### Copper Tubing:

- Slip a 1/4" nut and ferrule (provided) over both ends of the copper tubing. Insert tube into the union fitting on the unit and tighten nut to union.
- Turn on the water to check for leaks.

### SmartConnect™ Tubing:

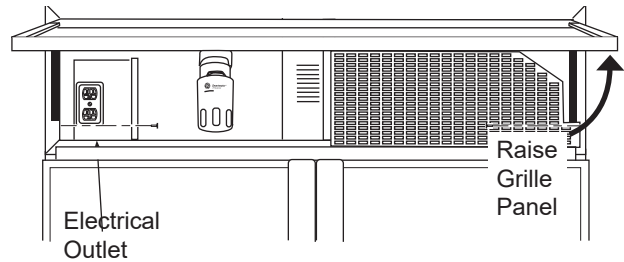
**NOTE:** The only GE Appliances-approved plastic tubing is supplied in the SmartConnect™ Refrigerator Tubing kits. Do not use any other plastic water supply line because the line is under pressure at all times. Other types of plastic may crack or rupture with age and cause water damage to your home.

- Insert the molded end of the tubing into the refrigerator connection. Tighten the compression nut until it is just hand tight.
- Tighten one additional turn with a wrench. Overtightening can cause leaks!
- Turn on the water to check for leaks.

**Note:** Make sure excess tubing length does not interfere with drawer closing or toekick installation.

## STEP 13 CONNECT POWER

- Check to be sure the power cord is plugged into the receptacle.

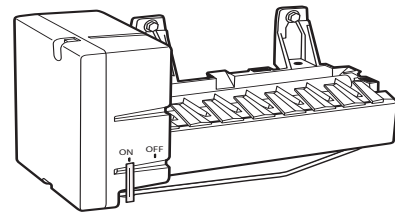


- Check to make sure power to refrigerator is on by opening refrigerator door to see if interior lights are on.
- The temperature controls are preset at 37°F (-13.89°C) for the fresh food section and 0°F (-17.78°C) for the freezer.
- Allow 24 hours to stabilize before making adjustments.

## STEP 14 START ICEMAKER

**⚠ CAUTION** Avoid contact with the moving parts of the ejector mechanism, or with the heating element (located on the bottom of the icemaker) that releases the cubes. Do not place fingers or hands on the automatic ice making mechanism while the freezer is plugged in.

**⚠ ATTENTION** Évitez tout contact avec les pièces mobiles du mécanisme d'éjection, ou l'élément chauffant (situé dans le bas de la machine à glaçons) qui libère les glaçons. Ne placez pas les doigts ou les mains sur le mécanisme de production de glace automatique lorsque le congélateur est branché dans la prise électrique.



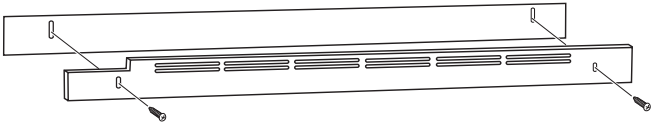
- The icemaker will begin operation automatically.
- Be sure nothing interferes with the sweep of the feeler arm.
- Discard the first full bucket of ice cubes.
- To turn the icemaker off, set the switch to O (OFF).

**NOTE:** Icemaker works best between 40 and 120 PSI (275-827 kPa) home water pressure.

# Installation Instructions

## STEP 15 INSTALL TOEKICK

- Locate the supplied toekicks (shipped taped to the side of the refrigerator).
- The wider set of toe kicks will be used for flush installation. You can discard the other set of toe kicks.
- Attach the toekick assembly to the refrigerator using the supplied screws (2).
- A custom toekick can be installed to match or complement the surrounding cabinetry. Use the supplied toekick as a template to cut the shape.



**IMPORTANT:** A custom toekick can be installed to match or complement the surrounding cabinetry but can NOT cover the horizontal vent slots of the factory toe kick.

## INSPECT FINAL INSTALLATION

Check door alignment

Stand back away from the refrigerator to inspect the final installation.

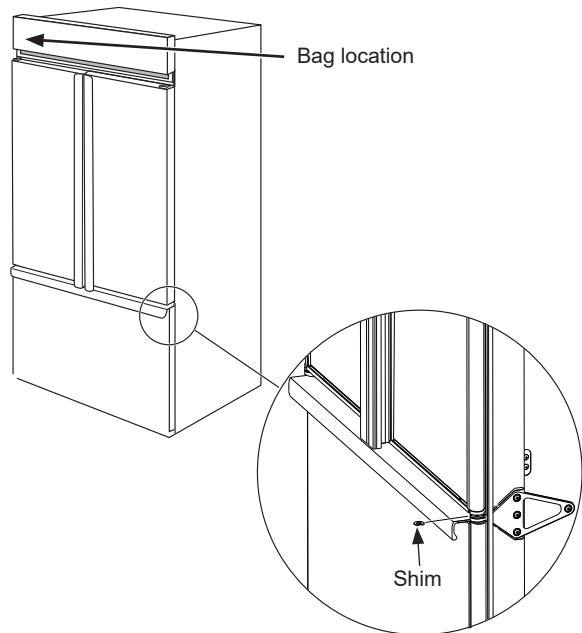
- Installation or the addition of heavy door panels may have caused the doors to move slightly out of alignment. Check to be sure the top of the doors are evenly aligned with each other. If necessary, the doors may be adjusted up or down to align.
- Add or subtract shims as shown to adjust the right door only. More shims are located under the hood on the left side in the bag with the filter bypass plug and mini manual.

### To Raise Right Hand Door

- Lift the right hand door up so there is a gap below the bottom hinge bushing.
- Snap a shim onto the hinge pin below the bushing.
- Lower the door and re-check the alignment.
- Repeat as necessary.

### To Lower Right Hand Door

- Lift the right hand door up so there is a gap below the bottom hinge bushing.
- Remove a shim by pushing shim off of the hinge pin.
- Lower the door and re-check the alignment.
- Repeat as necessary.



# **Instructions for Stainless Steel Installation**







# Design Guide - Stainless Steel Installation

## CUSTOMIZATION BASICS:

### Framed Or Overlay Panels, Custom Handles and Accessory Kits

#### Professional Style Stainless Steel Refrigerators

Stainless steel wrapped refrigerators with beveled edges and professional style handles. These models are shipped ready for installation.

#### Stainless Steel Wrapped Refrigerators

Stainless steel wrapped refrigerators with beveled edges and tubular stainless steel handles that coordinate with other Monogram appliances. These models are shipped ready for installation.

#### Side Panels

Side panels must be used whenever the sides of the refrigerator will be exposed.

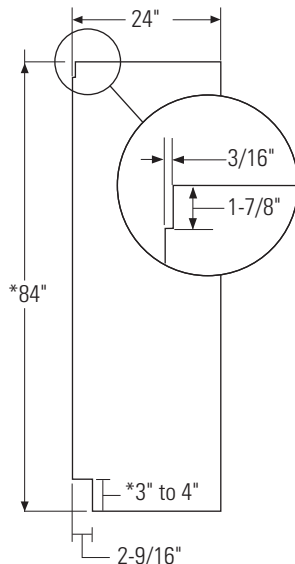
## REFRIGERATOR LOCATION

- Do not install the refrigerator where the temperature will go below 60°F (16°C). It will not run often enough to maintain proper temperatures.
- Do not install the refrigerator where temperatures will go above 100°F (37°C). It will not perform properly.
- Do not install the refrigerator in a location exposed to water (rain, etc.) or direct sunlight.
- Install it on a floor strong enough to support it fully loaded.

## SIDE PANELS

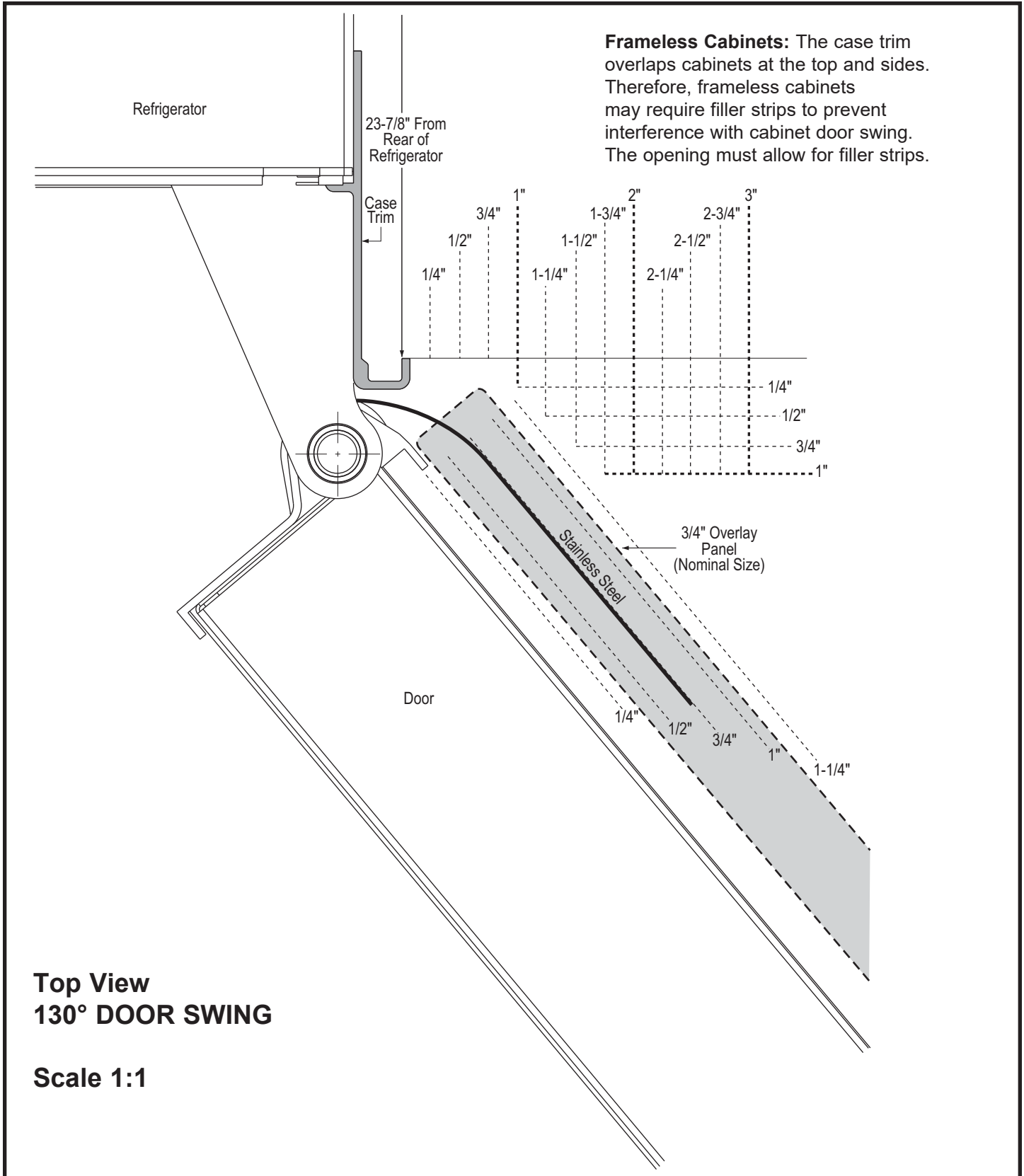
Side panels must be used whenever the sides of the refrigerator will be exposed. The 1/4" (0.63 cm) side panels will slip into the side case trim. Secure the panels to the refrigerator with stick-on hook and loop fastener strips. Order the side panels from the cabinet manufacturer.

- Cut a notch in the top front corner as shown to allow clearance for corner keys in the front side trim.

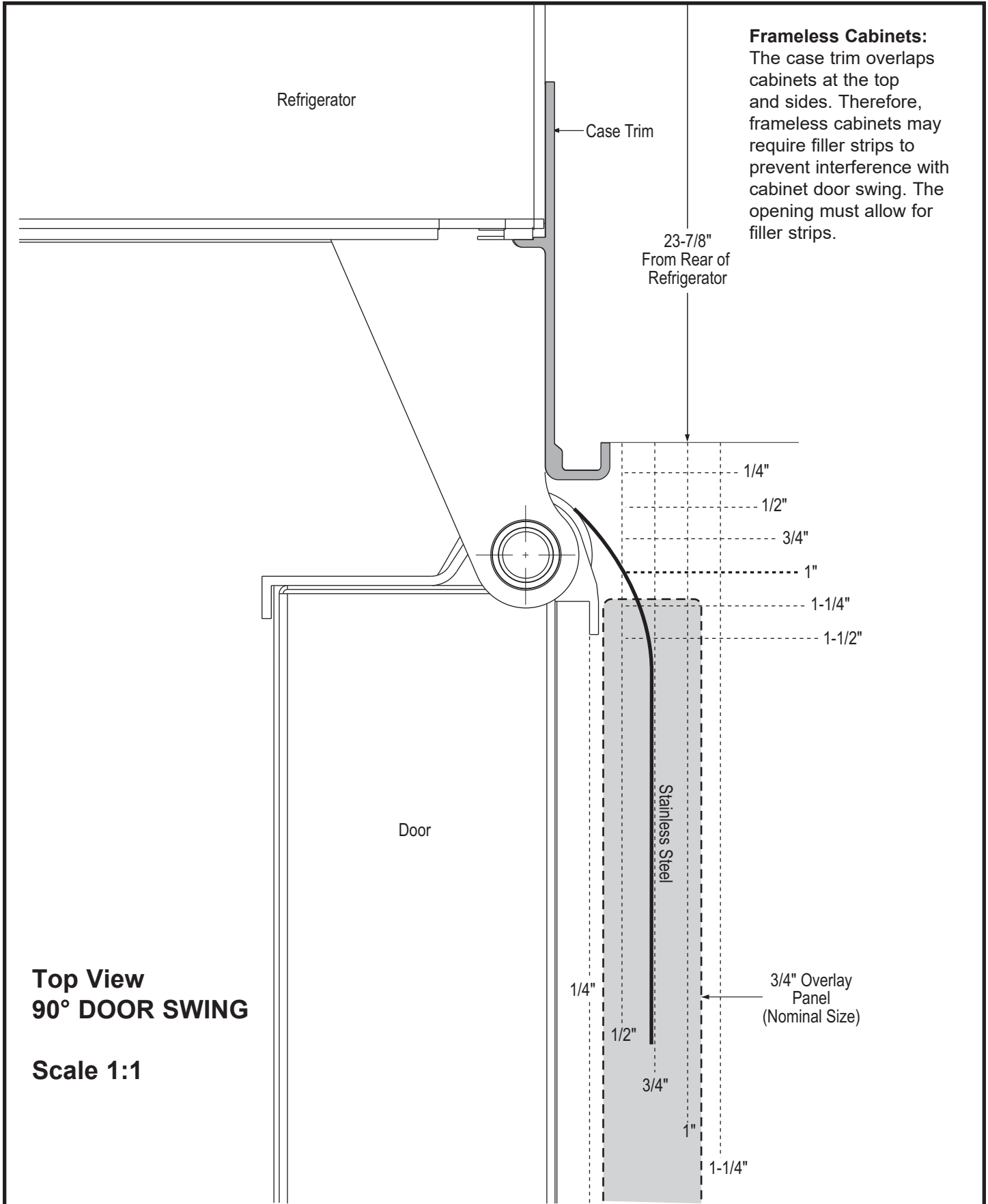


\* Depending on installation height.

# Design Guide - Stainless Steel Installation



# Design Guide - Stainless Steel Installation



**Frameless Cabinets:**  
The case trim overlaps cabinets at the top and sides. Therefore, frameless cabinets may require filler strips to prevent interference with cabinet door swing. The opening must allow for filler strips.

# Installation Instructions

## TOOLS REQUIRED

- Tinsnips to cut banding
- Stepladder
- Bucket
- Level
- Appliance Hand Truck
- Tubing cutter
- 7/16" open-end wrench
- #2 Phillips screwdriver
- Drill and appropriate bits
- 5/16", 7/16" socket
- Safety glasses
- 1-1/4" open end wrench
- Pliers
- 1/4" ratchet

## HARDWARE SUPPLIED

- Water filter bypass plug
- Anti-Tip brackets
- 1/4" nut and ferrule

## MATERIALS REQUIRED

- 35" (88.9 cm) long 2x4 for Anti-Tip support
- 1/4" copper water line tubing or SmartConnect™ Refrigerator Tubing kits
- Water shut-off valve
- Custom panels for fresh food door, freezer drawer and grille panel
- Screws to secure refrigerator to cabinetry.
- Stick-on hook and loop fastener strips for 1/4" side panels

## FLOORING

For proper installation, this refrigerator must be placed on a level surface of hard material that is at the same height as the rest of the flooring. This surface should be strong enough to support a fully loaded refrigerator, or

approximately 1,200 lbs. (544.31 cm).

**NOTE:** Protect the finish of the flooring. Cut a large section of the cardboard carton and place under the refrigerator where you are working.

## GROUNDING THE REFRIGERATOR

### **⚠ WARNING** **Electrical Shock Hazard.**

Failure to follow these instructions can result in death, fire, or electrical shock.

The power cord of this appliance is equipped with a 3-prong (grounding) plug which mates with a standard 3-prong (grounding) wall receptacle to minimize the possibility of electric shock hazard from this appliance.

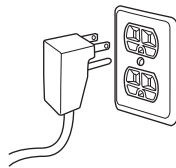
Have the wall outlet and circuit checked by a qualified electrician to make sure the outlet is properly grounded.

Where a standard 2-prong wall outlet is encountered, it is your personal responsibility and obligation to have it replaced with a properly grounded 3-prong wall outlet.

**DO NOT, UNDER ANY CIRCUMSTANCES, CUT OR REMOVE THE THIRD (GROUND) PRONG FROM THE POWER CORD.**

**DO NOT USE AN ADAPTER PLUG TO CONNECT THE REFRIGERATOR TO A 2-PRONG OUTLET.**

**DO NOT USE AN EXTENSION CORD WITH THIS APPLIANCE.**



## MISE À LA TERRE DU RÉFRIGÉRATEUR

### **⚠ AVERTISSEMENT** **Risque de choc électrique.**

Le non-respect de ces instructions peut entraîner des risques d'incendies, des chocs électriques ou la mort.

Le cordon d'alimentation de cet appareil est équipé d'une fiche à trois broches (pour une mise à la terre) qui s'adapte à la prise de courant standard à 3 broches (pour une mise à la terre) pour minimiser les risques de chocs électriques par cet appareil.

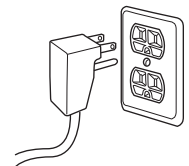
Faites vérifier la prise murale et le circuit électrique par un électricien qualifié pour s'assurer que le système est correctement mis à la terre.

Dans le cas d'une prise biphasée, l'installateur a la responsabilité et l'obligation de la remplacer par une prise triphasée correctement mise à la terre.

**NE COUPEZ PAS OU N'ENLEVEZ PAS, SOUS AUCUN PRÉTEXTE, LA TROISIÈME BROCHE DE MISE À LA TERRE DU CORDON D'ALIMENTATION.**

**N'UTILISEZ PAS D'ADAPTATEUR POUR BRANCHER LE RÉFRIGÉRATEUR À UNE PRISE BIPHASÉE.**

**N'UTILISEZ PAS DE RALLONGE AVEC CET APPAREIL.**



# Installation Instructions

## STEP 1 REMOVE PACKAGING

### **⚠ WARNING** Tip Over Hazard.

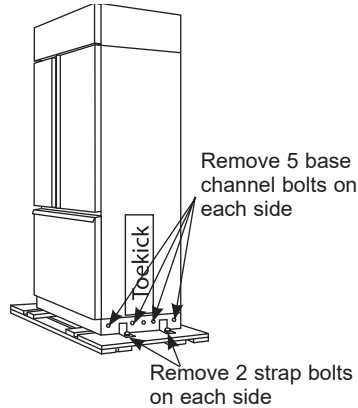
Refrigerator is much heavier at the top than at the bottom. To avoid a risk of death or serious injury, be careful when moving, and when using a hand truck, handle only from side.

**DO NOT ATTEMPT TO ROLL UNIT OFF SKID.**

### **⚠ AVERTISSEMENT** Risque de

**basculement** Parce que le haut du réfrigérateur est plus lourd que sa base, la prudence est de mise lors son déplacement, de l'utilisation d'un diable-brouette, de sa manipulation faite seulement sur son côté afin d'éviter les blessures graves ou mortelles. **IL NE FAUT PAS ESSAYER DE FAIRE ROULER L'APPAREIL MÉNAGER POUR L'ENLEVER DE LA PALETTE.**

- Carefully cut banding at the top and bottom, remove the outer carton.
- Slide out the back corner posts (2).
- Slide the carton off the top of the cabinet.



**NOTE: IT IS NOT NECESSARY TO LAY THE CABINET DOWN IN ORDER TO REMOVE THE SKID!**

- The unit is secured to the skid with 2 full-length tie-down straps. Remove the ten 5/16" bolts from the base channels in the tie-downs.
- Remove the four 7/16" bolts securing the straps to the skid.

**NOTE: DO NOT ATTEMPT TO ROLL UNIT OFF SKID.**

- The support blocks on the bottom of the refrigeration case must be removed before the refrigerator is taken off the skid or damage will occur. Carefully tilt the refrigerator and slide the blocks out from beneath.
- Remove the toekick and set aside for final installation.
- Lift the refrigerator off the skid with an appliance dolly. Handle from the sides.

## STEP 2 INSTALL WATER LINE

- A cold water supply is required for automatic icemaker operation. The water pressure must be between 40 and 120 p.s.i. (275-827 kPa).
- Route 1/4" OD copper or SmartConnect™ plastic tubing between house cold water line and the water connection location.
- Tubing should be long enough to extend to the front of the refrigerator. Allow enough tubing to accommodate bend leading into the water line connection.

**NOTE:** The only GE Appliances-approved plastic tubing is supplied in the SmartConnect™ Refrigerator Tubing kits. Do not use any other plastic water supply line because the line is under pressure at all times. Other types of plastic may crack or rupture with age and cause water damage to your home.

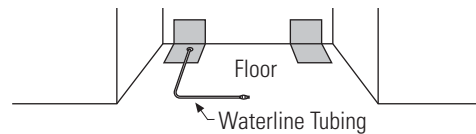
SmartConnect™ Refrigerator Tubing Kits are available in the following lengths:

- 2' (.6 m) WX08X10002
- 8' (2.4 m) WX08X10006
- 15' (4.6 m) WX08X1 0015
- 25' (7.6 m) WX08X10025

### **Shut off the main water supply.**

Turn on the nearest faucet long enough to clear the line of water.

- Install a shut-off valve between the icemaker water valve and cold water pipe in a basement or cabinet.



The shut-off valve should be located where it will be easily accessible.

- Turn on the main water supply and flush debris. Run about a quart of water through the tubing into a bucket. Shut off water supply at the shut-off valve.

**NOTE:** Saddle type shut-off valves are included in many water supply kits, but are not recommended for this application.

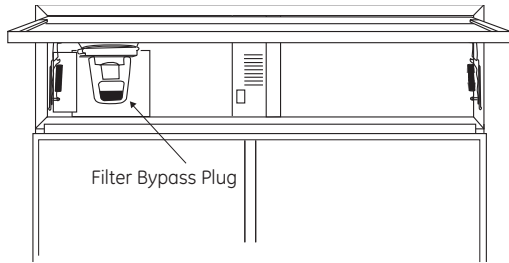
**NOTE:** Commonwealth of Massachusetts Plumbing Codes 248CMR shall be adhered to. Saddle valves are illegal and use is not permitted in Massachusetts. Consult with your licensed plumber.

# Installation Instructions

## STEP 2A WATER LINE INSTALLATION WITH A REVERSE OSMOSIS SYSTEM

### Skip this step when not using an RO System

If the water supply to the refrigerator is from a Reverse Osmosis Water System, use the refrigerator's filter bypass plug. Using the refrigerator's water filtration cartridge with the RO filter can result in hollow ice cubes.



## STEP 3 INSTALL SIDE PANELS

### Skip this step when not using side panels

If you are using 1/4" (0.63 cm) side panels, they should be inserted into the case trim. Fasten the panels to the refrigerator with stick-on hook and loop fastener strips before setting refrigerator in place.

## STEP 4 ANIT-TIP PROCEDURE

### ⚠ WARNING Tip Over Hazard.

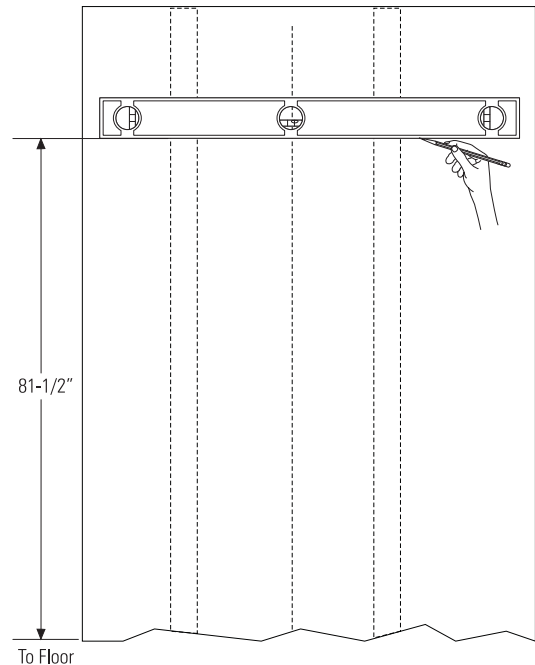
These refrigerators are top heavy, especially with any doors open, and must be secured to prevent tipping forward which could result in death or serious injury. Read and follow the entire installation instructions for securing the refrigerator with the anti-tip system.

### ⚠ AVERTISSEMENT Risque de basculement

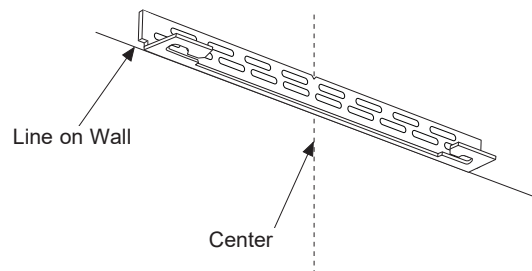
Ces réfrigérateurs présentent une partie supérieure lourde, en particulier avec une porte ouverte; ils doivent donc être fixés pour prévenir le basculement vers l'avant et le risque concomitant de blessure grave ou fatale. Lisez et suivez les instructions d'installation complètes pour l'installation du système anti-basculement.

## STEP 4 ANIT-TIP PROCEDURE (CONT)

- The kit supplied with the unit contains 2 lag bolts and 4 toggles with bolts. The wall bracket will be attached to the wall in 4 places.
- Measure the opening where the unit is to be installed. Mark the center with a vertical line.
- Measure up 81 1/2" (207.01 cm) from the floor. Mark this point on the wall.
- Using a level, draw a horizontal line on the wall at this height.



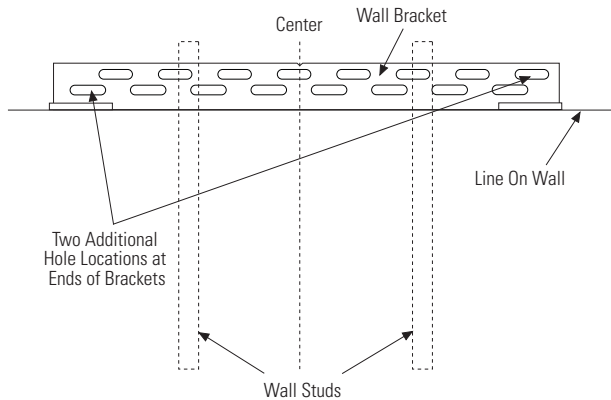
- Locate at least 2 studs on the back wall. Mark these points on the horizontal line.
- Place the bottom of the wall bracket with tabs on the horizontal line. Align the center notch on the bracket with the center line on the wall.



# Installation Instructions

## STEP 4 ANIT-TIP PROCEDURE (CONT)

- The anti-tip wall bracket has a series of holes. Select 2 holes that match with the located studs. Make sure the holes selected are on the center of the studs. Mark the wall at these points.
- Mark an additional hole at each end of the bracket. If one of the studs is closer to the end of the bracket, mark an additional hole towards the center of the bracket.

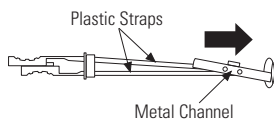


- Drill 1/2" (1.27 cm) holes into the wall board at the locations marked for the toggles to be mounted (not the stud markings).
- Drill 3/16" (0.47 cm) holes into wooden studs where marked. If steel stud construction, drill 1/2" (1.27 cm) holes into the studs where marked. You will use 2 toggles with the metal studs.

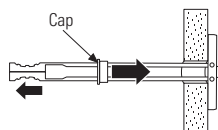
### Install Wall Toggles:

The wall toggles and bolts can be ordered as Service Kit #WR49X10193. Wall toggles are installed in the drywall and metal studs for stability. Install the wall toggles as follows:

- Drill 1/2" (1.27 cm) holes at the wall markings made in the holes at the ends of the wall bracket.
- Hold the metal channel flat against the plastic straps and slide the channel through the hole.

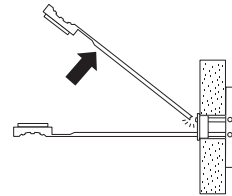


- Gently pull back at the ends of the plastic straps to make the channel rest flush behind the wall.
- Hold the ends of the straps in one hand and slide the plastic cap along the straps until the flange of the cap is flush with the wall.



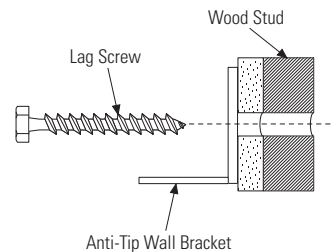
## STEP 4 ANIT-TIP PROCEDURE (CONT)

- Place your thumb between the plastic straps and bend up and down to snap the straps off at the wall.

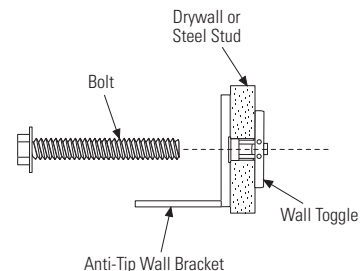


### Install Screws and Bolts:

- Have someone hold the wall bracket centered in place with each of the holes aligned with the correct opening in the bracket and level with the horizontal line.
- Insert the lag screws through the bracket and into the stud. Tighten with a wrench.



- Insert the bolts into the toggle by hand until snug. Tighten with a wrench.



### CONNECT POWER CORD:

- Before pushing the refrigerator into the opening, plug the power cord into the receptacle. Open the grille panel and reach into the opening at the back to grasp the power cord. Pull the power cord into the opening as you push the refrigerator back.
- Gently push refrigerator into the opening with hands against front corners.

**IMPORTANT:** When the refrigerator is installed under a soffit or if there is not enough height for this method of security, brackets cannot be used. Proceed to step 5 to level the refrigerator and then to step 7 to secure refrigerator to cabinets.

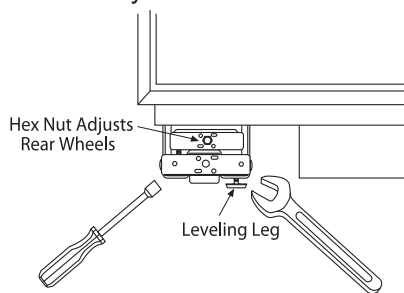


# Installation Instructions

## STEP 5 LEVEL REFRIGERATOR

All models have 4-point leveling. The front is supported by leveling legs, the rear is supported by adjustable wheels. Both are accessible from the front of the refrigerator.

- To level the back of the refrigerator, turn the 7/16" hex nut located above the front wheels. Turn clockwise to raise or counterclockwise to lower the refrigerator.
- For front leveling, use a 1-1/4" open-end wrench.
- Adjust height of refrigerator to match installation cutout opening 83-1/2" (212.09 cm) to 84-1/2" (10.16 cm). The refrigerator should be level and plumb with cabinetry.

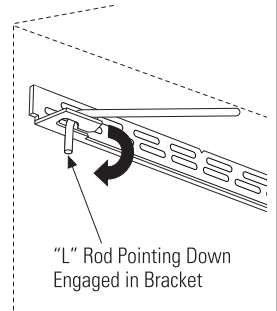


The rear leveling wheels and front leveling legs are limited to a maximum height adjustment of 1". If the installation requires more than 84-1/2" height, the installer should elevate the refrigerator on a sheet of plywood or runners. Cabinetry trim could also be added across the top of the opening to shorten the opening. If you attempt to raise the refrigerator more than 1", you will damage the front leveling legs and the rear leveling wheels.

## STEP 6 SECURE UNIT TO WALL

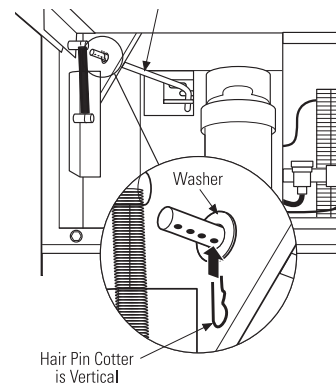
- The "L" rod can be found in the upper left corner of the unit in the access compartment. Look through the access compartment to make sure the rod lines up with the anti-tip bracket.
- There are 2 washers and a hair pin cotter with the rod. Remove the washers and hair pin cotter from the end of the rod.

- Rotate and move the "L" rod into the slot in the anti-tip bracket. Once it is in the slot, rotate the "L" rod so the hook portion is pointing down. The holes at the front end of the rod should be in a vertical position.



- Pull out on the end of the rod to make sure it is secure in the bracket.
- Locate the hole on the rod that is closest to the unit. A hair pin cotter will be put through this hole to secure the rod. If this hole appears to be too far away for a snug fit against the unit, add the washers one at a time until the pin will fit tightly into the hole.
- Align the straight section of the pin with the hole from the underside of the rod. Push the pin up until it snaps into position. Pliers may be used.

- **NOTE:** The hair pin cotter must be vertical when this step is completed to ensure the "L" rod is engaged in the bracket.
- Check the rod for tightness by pulling forward. If the rod moves, remove the hair pin cotter and place another washer on the rod. Reinsert the pin.



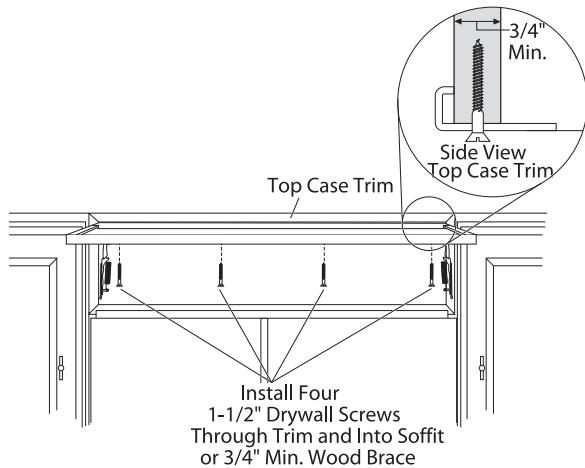


# Installation Instructions

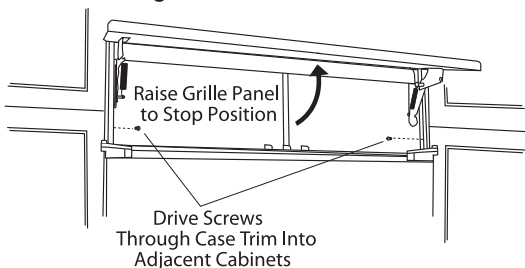
## STEP 7 ALTERNATE ANTI-TIP PROCEDURE

The refrigerator must be secured to prevent tipping.

If the anti-tip bracket cannot be used, this alternate procedure may be used to secure the refrigerator against tip-over



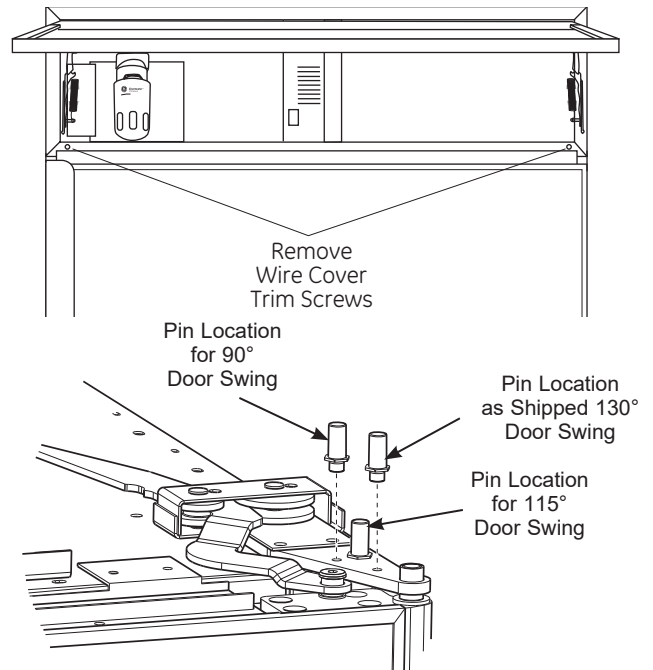
- Raise the grille panel to access case trim.
- Use a 3/16" bit to drill four evenly spaced clearance holes through the metal top case trim.
- Use a 1/16" bit to drill to pilot holes through the metal clearance holes and into the wood soffit. The holes should be centered in the soffit or a 3/4" min. wood brace. The brace spanning the enclosure must be securely fastened to cabinets on both sides.
- Install four, 1-1/2" (3.81 cm) drywall screws into the pilot holes.
- If no soffit above the unit, drill screws into adjacent cabinets through the side case trim.



## STEP 8 ADJUST DOOR SWING

**NOTE:** This refrigerator has a 3-position door stop. When space does not allow the door to swing open fully to 130°, you may change the door swing to a 115° or 90° opening. **Skip this step if door opening is satisfactory for your installation situation.**

- Lift the grille panel to access the wire cover trim.
- Remove screws on both sides of the wire cover trim and rotate off.
- Use pliers to unscrew door stop and reinstall into the 90° or 115° position.



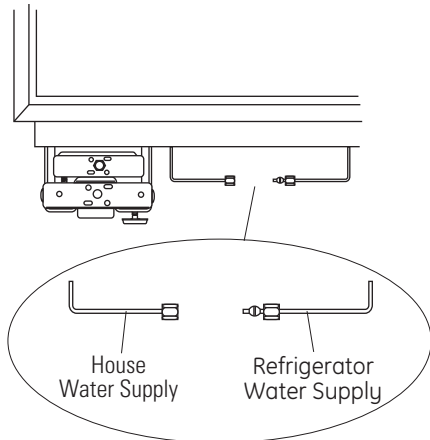
- Reinstall the wire cover trim.

# Installation Instructions

## STEP 9 CONNECT WATER SUPPLY

**⚠ WARNING** Connect to potable water supply only.

**⚠ AVERTISSEMENT** Raccordez l'appareil à une alimentation d'eau potable seulement.



- Locate and bring tubing to the front of the cabinet.
- Turn the water on to flush debris from line. Run about a quart of water through tubing into a bucket, then shut off water.

### Copper Tubing:

- Slip a 1/4" nut and ferrule (provided) over both ends of the copper tubing. Insert tube into the union fitting on the unit and tighten nut to union.
- Turn on the water to check for leaks.

### SmartConnect™ Tubing:

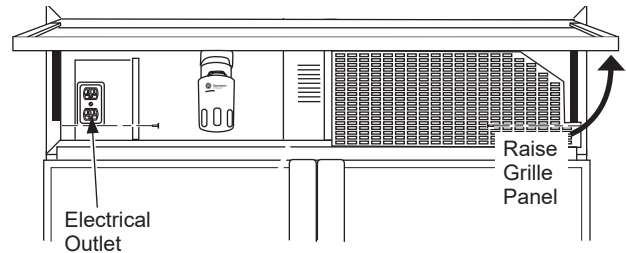
**NOTE:** The only GE Appliances Appliances-approved plastic tubing is supplied in the SmartConnect™ Refrigerator Tubing kits. Do not use any other plastic water supply line because the line is under pressure at all times. Other types of plastic may crack or rupture with age and cause water damage to your home.

- Insert the molded end of the tubing into the refrigerator connection. Tighten the compression nut until it is just hand tight.
- Tighten one additional turn with a wrench. Overtightening can cause leaks!
- Turn on the water to check for leaks.

**NOTE:** Make sure excess tubing length does not interfere with drawer closing or toekick installation.

## STEP 10 CONNECT POWER

- Check to be sure the power cord is plugged into the receptacle.

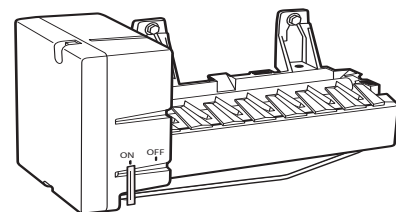


- Check to make sure power to refrigerator is on by opening refrigerator door to see if interior lights are on.
- The temperature controls are preset at 37°F for the fresh food section and 0°F for the freezer.
- Allow 24 hours to stabilize before making adjustments.

## STEP 11 START ICEMAKER

**⚠ CAUTION** Avoid contact with the moving parts of the ejector mechanism, or with the heating element (located on the bottom of the icemaker) that releases the cubes. Do not place fingers or hands on the automatic ice making mechanism while the freezer is plugged in.

**⚠ ATTENTION** Évitez tout contact avec les pièces mobiles du mécanisme d'éjection, ou l'élément chauffant (situé dans le bas de la machine à glaçons) qui libère les glaçons. Ne placez pas les doigts ou les mains sur le mécanisme de production de glace automatique lorsque le congélateur est branché dans la prise électrique.

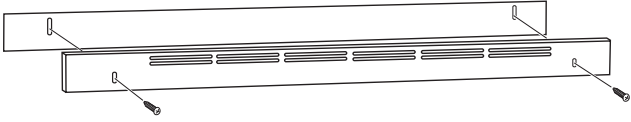


- The icemaker will begin operation automatically.
  - Be sure nothing interferes with the sweep of the feeler arm.
  - Discard the first full bucket of ice cubes.
  - To turn the icemaker off, set the switch to O (OFF).
- NOTE:** Icemaker works best between 40 and 120 PSI (275-827 kPa) home water pressure.

# Installation Instructions

## STEP 12 INSTALL TOEKICK

- Locate the supplied toekick (shipped taped to the side of the refrigerator). Install the toekick assembly with the 2 screws provided, adjust to the desired height and tighten the screws.



**IMPORTANT:** A custom toekick can be installed to match or complement the surrounding cabinetry but can NOT cover the horizontal vent slots of the factory toe kick.

## INSPECT FINAL INSTALLATION

Check door alignment

Stand back away from the refrigerator to inspect the final installation.

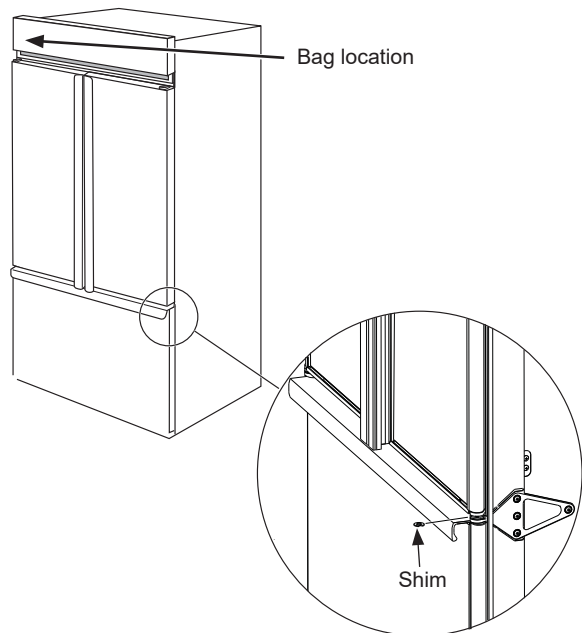
- Installation or the addition of heavy door panels may have caused the doors to move slightly out of alignment. Check to be sure the top of the doors are evenly aligned with each other. If necessary, the doors may be adjusted up or down to align.
- Add or subtract shims as shown to adjust the right door only. More shims are located under the hood on the left side in the bag with the filter bypass plug and mini manual.

### To Raise Right Hand Door

- Lift the right hand door up so there is a gap below the bottom hinge bushing.
- Snap a shim onto the hinge pin below the bushing.
- Lower the door and re-check the alignment.
- Repeat as necessary.

### To Lower Right Hand Door

- Lift the right hand door up so there is a gap below the bottom hinge bushing.
- Remove a shim by pushing shim off of the hinge pin.
- Lower the door and re-check the alignment.
- Repeat as necessary.



**NOTE: While performing installations described in this book, safety glasses or goggles should be worn.**

**NOTE: Product improvement is a continuing endeavor at Monogram. Therefore, materials, appearance and specifications are subject to change without notice.**