

# Operator's Manual



## PRO SERIES

### PRO L SERIES

### ZERO-TURN RIDER

WITH SMART LAWN TECHNOLOGY

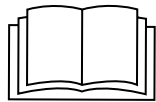


Model Nos. 247.27050\*, 247.27052\* & 247.27054\*

\*-- Last digit of model number varies

Safe Operation Practices .....	2	Service and Maintenance .....	21
Slope Gauge .....	6	Off-Season Storage .....	32
Assembly .....	7	Troubleshooting .....	33
Smart Lawn Activation.....	10	Español .....	35
Operation.....	11	Warranty/Service.....	See Separate Supplement

**NOTE:** This Operator's Manual covers several models. Features may vary by model. Not all features in this manual are applicable to all models and the model depicted may differ from yours.



**This product has a low emission engine which operates differently from previously built engines. Before you start the engine, read and understand this Craftsman Operator's Manual and the Engine Operator's Manual.**

#### **⚠ CAUTION**

**Before using this equipment, read this manual and follow all safety rules and operating instructions.**

To order parts or schedule service for this product, call:

**1-888-331-4569**

**Craftsman Customer Hot Line**

**Sears Brands Management Corporation, Hoffman Estates, IL 60179 U.S.A.**

Used under license

Visit our website: [www.craftsman.com](http://www.craftsman.com)



Form No. 769-11240D

(November 27, 2017)

# SAFETY INSTRUCTIONS

## WARNING

This symbol points out important safety instructions which, if not followed, could endanger the personal safety and/or property of yourself and others. Read and follow all instructions in this manual before attempting to operate this machine. Failure to comply with these instructions may result in personal injury. When you see this symbol, HEED ITS WARNING!

## DANGER

This machine was built to be operated according to the safe operation practices in this manual. As with any type of power equipment, carelessness or error on the part of the operator can result in serious injury. This machine is capable of amputating fingers, hands, toes and feet and throwing debris. Failure to observe the following safety instructions could result in serious injury or death.

## WARNING

### CALIFORNIA PROPOSITION 65

Engine Exhaust, some of its constituents, and certain vehicle components contain or emit chemicals known to State of California to cause cancer and birth defects or other reproductive harm.

Battery posts, terminals, and related accessories contain lead and lead compounds, chemicals known to the State of California to cause cancer and reproductive harm. Wash hands after handling.

## WARNING

**Your Responsibility**—Restrict the use of this power machine to persons who read, understand and follow the warnings and instructions in this manual and on the machine.

**SAVE THESE INSTRUCTIONS!**

## GENERAL OPERATION

- Read, understand, and follow all instructions on the machine and in the manual(s) before attempting to assemble and operate. Keep this manual in a safe place for future and regular reference and for ordering replacement parts.
- Be familiar with all controls and their proper operation. Know how to stop the machine and disengage them quickly.
- Never allow children under 14 years of age to operate this machine. Children 14 and over should read and understand the instructions and safe operation practices in this manual and on the machine and should be trained and supervised by an adult.
- Never allow adults to operate this machine without proper instruction.
- To help avoid blade contact or a thrown object injury, keep bystanders, helpers, children and pets at least 75 feet from the machine while it is in operation. Stop machine if anyone enters the area.
- Thoroughly inspect the area where the equipment is to be used. Remove all stones, sticks, wire, bones, toys, and other foreign objects which could be picked up and thrown by the blade(s). Thrown objects can cause serious personal injury.
- Plan your mowing pattern to avoid discharge of material toward roads, sidewalks, bystanders and the like. Also, avoid discharging material against a wall or obstruction which may cause discharged material to ricochet back toward the operator.
- Always wear safety glasses or safety goggles during operation and while performing an adjustment or repair to protect your eyes. Thrown objects which ricochet can cause serious injury to the eyes.
- Wear sturdy, rough-soled work shoes and close-fitting slacks and shirts. Loose fitting clothes and jewelry can be caught in movable parts. Never operate this machine in bare feet or sandals.
- Be aware of the mower and attachment discharge direction and do not point it at anyone. Do not operate the mower without the discharge cover or entire grass catcher in its proper place.
- Do not put hands or feet near rotating parts or under the cutting deck. Contact with the blade(s) can amputate hands and feet.
- A missing or damaged discharge cover can cause blade contact or thrown object injuries.
- Stop the blade(s) when crossing gravel drives, walks, or roads and while not cutting grass.
- Watch for traffic when operating near or crossing roadways. This machine is not intended for use on any public roadway.
- Do not operate the machine while under the influence of alcohol or drugs.
- Mow only in daylight or good artificial light.
- Never carry passengers.
- Back up slowly. Always look down and behind before and while backing to avoid a back-over accident. Be aware and pay attention to the safety system function that stops power to the blades when driving in reverse. If not functioning properly, contact an authorized dealer for safety system inspection and repair.
- Slow down before turning. Operate the machine smoothly. Avoid erratic operation and excessive speed.
- Disengage blade(s), set parking brake, stop engine and wait until the blade(s) come to a complete stop before removing grass catcher, emptying grass, unclogging chute, removing any grass or debris, or making any adjustments.
- Never leave a running machine unattended. Always turn off blade(s), place drive control levers in neutral, set parking brake, stop engine and remove key before dismounting.
- Use extra care when loading or unloading the machine into a trailer or truck. This machine should not be driven up or down ramp(s), because the machine could tip over, causing serious personal injury. The machine must be pushed manually on ramp(s) to load or unload properly.
- Muffler and engine become hot and can cause a burn. Do not touch.
- Check overhead clearances carefully before driving under low hanging tree branches, wires, door openings etc., where the operator may be struck or pulled from the machine, which could result in serious injury.
- Disengage all attachment clutches, set the parking brake to the 'on' position and move the RH and LH drive control levers to the neutral position before attempting to start the engine.

# SAFETY INSTRUCTIONS

- Your machine is designed to cut normal residential grass of a height no more than 10". Do not attempt to mow through unusually tall, dry grass (e.g., pasture) or piles of dry leaves. Dry grass or leaves may contact the engine exhaust and/or build up on the mower deck presenting a potential fire hazard.
- Use only accessories and attachments approved for this machine by the machine manufacturer. Read, understand and follow all instructions provided with the approved accessory or attachment. For a list of approved accessories and attachments, call 1-888-331-4569.
- Data indicates that operators, age 60 years and above, are involved in a large percentage of riding mower-related injuries. These operators should evaluate their ability to operate the riding mower safely enough to protect themselves and others from serious injury.
- If situations occur which are not covered in this manual, use care and good judgment.

## SLOPE OPERATION

Slopes are a major factor related to loss of control and tip-over accidents which can result in severe injury or death. All slopes require extra caution. If you cannot back up the slope or if you feel uneasy on it, do not mow it.

For your safety, use the slope gauge included as part of this manual to measure slopes before operating this machine on a sloped or hilly area. If the slope is greater than 15 degrees as shown on the slope gauge, do not operate this machine on that area or serious injury could result.

### Do:

- Mow across slopes, not up and down. Exercise extreme caution when changing direction on slopes.
- Watch for holes, ruts, bumps, rocks, or other hidden objects. Uneven terrain could overturn the machine. Tall grass can hide obstacles.
- Use slow speed. Choose a low enough speed so that you will not have to stop while on the slope. Avoid starting or stopping on a slope. If the tires are unable to maintain traction, disengage the blades and proceed slowly and carefully straight down the slope.
- Follow the manufacturer's recommendations for wheel weights or counterweights to improve stability.
- Use extra care with grass catchers or other attachments. These can change the stability of the machine.
- Keep all movement on the slopes slow and gradual. Do not make sudden changes in speed or direction. Rapid acceleration or deceleration could cause the front of the machine to lift and rapidly roll over backwards, which could cause serious injury.

### Do Not:

- Do not turn on slopes unless necessary; then turn slowly uphill and use extra care while turning.
- Do not mow near drop-offs, ditches or embankments. The mower could suddenly turn over if a wheel is over the edge of a cliff, ditch, or if an edge caves in.
- Do not try to stabilize the machine by putting your foot on the ground.
- Do not use a grass catcher on steep slopes.
- Do not mow on wet grass. Reduced traction could cause sliding.
- Do not tow heavy pull behind attachments (e.g. loaded dump cart, lawn roller, etc.) on slopes greater than 5 degrees. When going down hill, the extra weight tends to push the riding mower and may cause you to lose control (e.g. riding mower may speed up, braking and steering ability are reduced, attachment may jack-knife and cause riding mower to overturn).

## CHILDREN

Tragic accidents can occur if the operator is not alert to the presence of children. Children are often attracted to the machine and the mowing activity. They do not understand the dangers. Never assume that children will remain where you last saw them.

- Keep children out of the mowing area and in watchful care of a responsible adult other than the operator.
- Be alert and turn machine off if a child enters the area.
- To avoid back-over accidents, always look behind and down for small children.
- Never carry children, even with the blade(s) shut off. They may fall off and be seriously injured or interfere with safe machine operation.
- Use extreme care when approaching blind corners, doorways, shrubs, trees or other objects that may block your vision of a child who may run into the path of the machine.
- Keep children away from hot or running engines. They can suffer burns from a hot muffler.
- Remove key when machine is unattended to prevent unauthorized operation.

Never allow children under 14 years of age to operate this machine. Children 14 and over should read and understand the instructions and safe operation practices in this manual and on the machine and should be trained and supervised by an adult.

## TOWING

- Tow only with a machine that has a hitch designed for towing. Do not attach towed equipment except at the hitch point.
- Follow the manufacturer's recommendation for weight limits for towed equipment and towing on slopes.
- Never allow children or others in or on towed equipment.
- On slopes, the weight of the towed equipment may cause loss of traction and loss of control.
- Travel slowly and allow extra distance to stop.
- Do not shift to neutral and coast downhill.
- Do not tow heavy pull behind attachments (e.g. loaded dump cart, lawn roller, etc.) on slopes greater than 5 degrees. When going down hill, the extra weight tends to push the riding mower and may cause you to lose control (e.g. riding mower may speed up, braking and steering ability are reduced, attachment may jack-knife and cause riding mower to overturn).

## SERVICE

### Safe Handling of Gasoline:

**To avoid personal injury or property damage use extreme care in handling gasoline. Gasoline is extremely flammable and the vapors are explosive. Serious personal injury can occur when gasoline is spilled on yourself or your clothes which can ignite. Wash your skin and change clothes immediately.**

- Use only an approved gasoline container.
- Never fill containers inside a vehicle or on a truck or trailer bed with a plastic liner. Always place containers on the ground away from your vehicle before filling.
- When practical, remove gas-powered equipment from the truck or trailer and refuel it on the ground. If this is not possible, then refuel such equipment on a trailer with a portable container, rather than from a gasoline dispenser nozzle.

# SAFETY INSTRUCTIONS

- Keep the nozzle in contact with the rim of the fuel tank or container opening at all times until fueling is complete. Do not use a nozzle lock-open device.
- Extinguish all cigarettes, cigars, pipes and other sources of ignition.
- Never fuel machine indoors.
- Never remove gas cap or add fuel while the engine is hot or running. Allow engine to cool at least two minutes before refueling.
- Never over fill fuel tank. Fill tank to no more than ½ inch below bottom of filler neck to allow space for fuel expansion.
- Replace gasoline cap and tighten securely.
- If gasoline is spilled, wipe it off the engine and equipment. Move machine to another area. Wait 5 minutes before starting the engine.
- To reduce fire hazards, keep machine free of grass, leaves, or other debris build-up. Clean up oil or fuel spillage and remove any fuel soaked debris.
- Never store the machine or fuel container inside where there is an open flame, spark or pilot light as on a water heater, space heater, furnace, clothes dryer or other gas appliances.
- Allow a machine to cool at least five minutes before storing.
- Grass catcher components and the discharge cover are subject to wear and damage which could expose moving parts or allow objects to be thrown. For safety protection, frequently check components and replace immediately with original equipment manufacturer's (O.E.M.) parts only, listed in this manual. Use of parts which do not meet the original equipment specifications may lead to improper performance and compromise safety!
- Do not change the engine governor settings or over-speed the engine. The governor controls the maximum safe operating speed of the engine.
- Maintain or replace safety and instruction labels, as necessary.
- Observe proper disposal laws and regulations for gas, oil, etc. to protect the environment.
- According to the Consumer Products Safety Commission (CPSC) and the U.S. Environmental Protection Agency (EPA), this product has an Average Useful Life of seven (7) years, or 270 hours of operation. At the end of the Average Useful Life have the machine inspected annually by Sears or another qualified dealer to ensure that all mechanical and safety systems are working properly and not worn excessively. Failure to do so can result in accidents, injuries or death.

## General Service

- Never run an engine indoors or in a poorly ventilated area. Engine exhaust contains carbon monoxide, an odorless, and deadly gas.
- Before cleaning, repairing, or inspecting, make certain the blade(s) and all moving parts have stopped. Disconnect the spark plug wire and ground against the engine to prevent unintended starting.
- Periodically check to make sure the blades come to complete stop within approximately (5) five seconds after operating the blade disengagement control. If the blades do not stop within the this time frame, have your machine serviced professionally by Sears or another qualified dealer.
- Regularly check the safety interlock system for proper function, as described later in this manual. If the safety interlock system does not function properly, have your machine serviced professionally by Sears or another qualified dealer.
- Check the blade(s) and engine mounting bolts at frequent intervals for proper tightness. Also, visually inspect blade(s) for damage (e.g., excessive wear, bent, cracked). Replace the blade(s) with the original equipment manufacturer's (O.E.M.) blade(s) only, listed in this manual. Use of parts which do not meet the original equipment specifications may lead to improper performance and compromise safety!
- Mower blades are sharp. Wrap the blade or wear gloves, and use extra caution when servicing them.
- Keep all nuts, bolts, and screws tight to be sure the equipment is in safe working condition.
- Never tamper with the safety interlock system or other safety devices. Check their proper operation regularly.
- After striking a foreign object, stop the engine, disconnect the spark plug wire(s) and ground against the engine. Thoroughly inspect the machine for any damage. Repair the damage before starting and operating.
- Never attempt to make adjustments or repairs to the machine while the engine is running.

## DO NOT MODIFY ENGINE

To avoid serious injury or death, do not modify engine in any way. Tampering with the governor setting can lead to a runaway engine and cause it to operate at unsafe speeds. Never tamper with factory setting of engine governor.

## NOTICE REGARDING EMISSIONS

Engines which are certified to comply with California and federal EPA emission regulations for SORE (Small Off Road Equipment) are certified to operate on regular unleaded gasoline, and may include the following emission control systems: Engine Modification (EM), Oxidizing Catalyst (OC), Secondary Air Injection (SAI) and Three Way Catalyst (TWC) if so equipped.

## SPARK ARRESTOR

### WARNING

This machine is equipped with an internal combustion engine and should not be used on or near any unimproved forest-covered, brush-covered or grass-covered land unless the engine's exhaust system is equipped with a spark arrestor meeting applicable local or state laws (if any).

If a spark arrestor is used, it should be maintained in effective working order by the operator. In the State of California the above is required by law (Section 4442 of the California Public Resources Code). Other states may have similar laws. Federal laws apply on federal lands.









A spark arrestor for the muffler is available through your nearest Sears Parts and Repair Service Center.



# SAFETY INSTRUCTIONS

## SAFETY SYMBOLS

This page depicts and describes safety symbols that may appear on this product. Read, understand, and follow all instructions on the machine before attempting to assemble and operate.

Symbol	Description
	<b>READ THE OPERATOR'S MANUAL(S)</b> Read, understand, and follow all instructions in the manual(s) before attempting to assemble and operate.
	<b>DANGER — ROTATING BLADES</b> Never carry passengers. Never carry children, even with the blades off.
	<b>DANGER — ROTATING BLADES</b> Mowing in reverse is not recommended.
	<b>WARNING — ROTATING BLADES</b> Do not put hands or feet near rotating parts or under the cutting deck. Contact with the blade(s) can amputate hands and feet.
	<b>DANGER — ROTATING BLADES</b> Look down and behind before and while backing to avoid a back-over accident.
	<b>WARNING — THROWN OBJECTS</b> This machine may pick up and throw objects which can cause serious personal injury.
	<b>DANGER — SAFETY DEVICES</b> Keep safety devices (guards, shields, switches, etc.) in place and working.
	<b>WARNING — BYSTANDERS</b> Keep bystanders, helpers, children and pets at least 75 feet from the machine while it is in operation.
	<b>WARNING — SLOPE OPERATION</b> Do not operate this machine on a slope greater than 15 degrees. Do not mow up and down slopes. Mow across slopes no greater than 15 degrees. Avoid sudden turns. Use low speed. If machine stops going uphill, stop blades and back down slowly.
	<b>WARNING — HOT SURFACE</b> Engine parts, especially the muffler, become extremely hot during operation. Allow engine and muffler to cool before touching.
	<b>DANGER — ROTATING BLADES</b> To reduce the risk of injury, keep hands and feet away. Do not operate unless discharge cover or grass catcher is in its proper place. If damaged, replace immediately.
	<b>WARNING — FIRE HAZARD</b> Allow machine to cool before fueling or storing.
	<b>WARNING — FIRE HAZARD</b> Do not drive through piles of dry leaves or tall grass.
	<b>WARNING — FIRE HAZARD</b> Operation of this equipment may create sparks that can start fires around dry vegetation. A spark arrestor may be required.

# SLOPE GAUGE

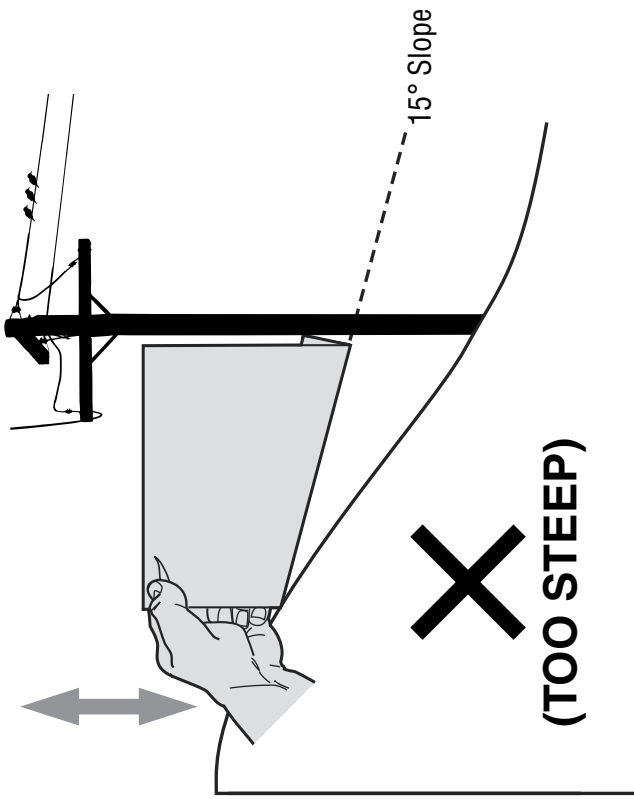


Figure 1

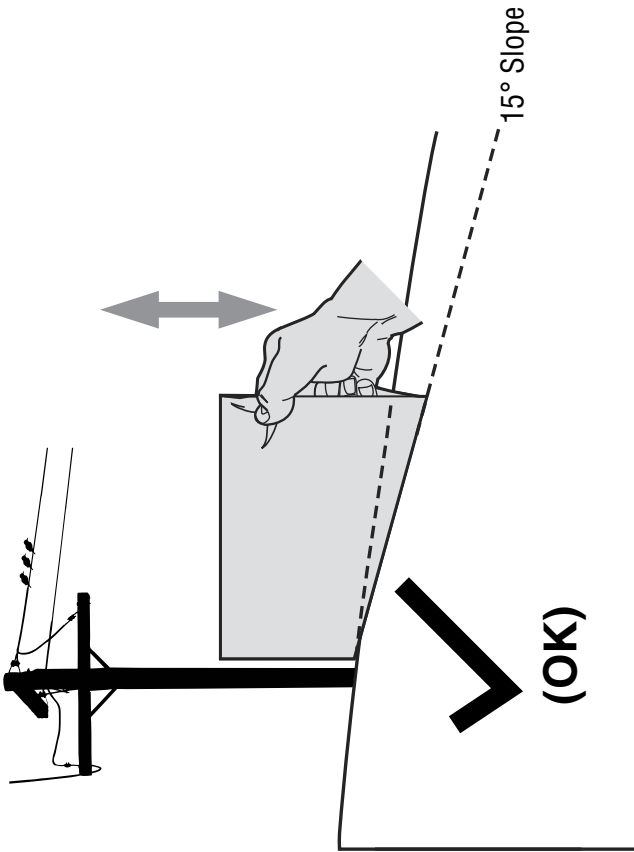


Figure 2

6

## USE THIS SLOPE GAUGE TO DETERMINE IF A SLOPE IS TOO STEEP FOR SAFE OPERATION!

To check the slope, proceed as follows:

1. Remove this page and fold along the dashed line.
2. Locate a vertical object on or behind the slope (e.g. a pole, building, fence, tree, etc.)
3. Align either side of the slope gauge with the object (See Figure 1 and Figure 2).
4. Adjust gauge up or down until the left corner touches the slope (See Figure 1 and Figure 2).
5. If there is a gap below the gauge, the slope is too steep for safe operation (See Figure 2 above).

*15° dashed line*

## ⚠ WARNING

Slopes are a major factor related to tip-over and roll-over accidents which can result in severe injury or death. Do not operate machine on slopes in excess of 15 degrees. All slopes require extra caution. If you cannot back up the slope or if you feel uneasy on it, do not mow it. Always mow across the face of slopes, never mow up and down the face of slopes.

# ASSEMBLY

## Set-Up

**NOTE:** Remove the deck wash system nozzle adapter from the manual bag and store for future use.

## Moving The Riding Mower Manually

Your riding mower's transmission is equipped with a hydrostatic relief valve for occasions when it is necessary to move the riding mower manually. Opening this valve permits the fluid in the transmission to bypass its normal route, allowing the rear tires to "freewheel." To open the hydrostatic relief valve, proceed as follows:

1. Locate the hydrostatic bypass rod in the rear of the riding mower. See Figure 1.

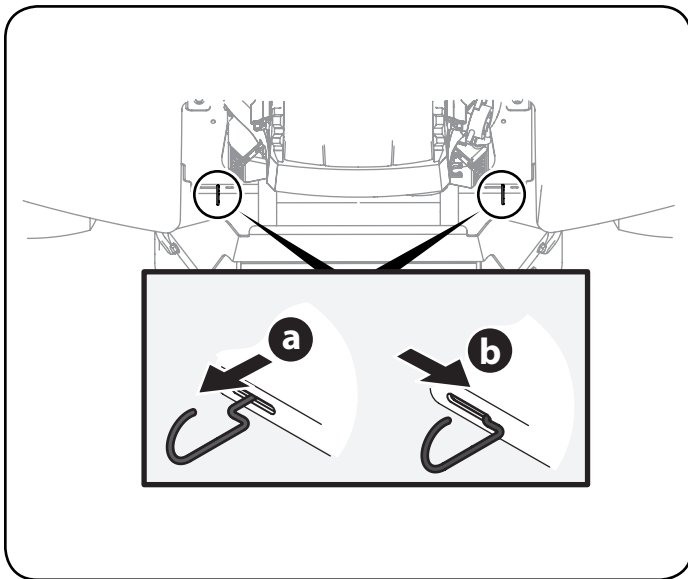


Figure 1

2. Engage the bypass rods by pulling each one out (a) and to the right (b) to lock it into place. See Figure 1.
3. Disengage the bypass rods by reversing steps a & b after moving the tractor. See Figure 1.

**NOTE:** The transmission will NOT engage when the hydrostatic bypass rod is pulled out. Return the rod to its normal position prior to operating the riding mower.

## CAUTION

Never attempt to move the riding mower manually without first opening the hydrostatic relief valve. Doing so will result in serious damage to the riding mower's transmission.

## Install Operator's Seat

To install the seat proceed as follows:

**NOTE:** The seat is shipped with the seat switch and seat pan attached.

1. Cut any straps securing the seat assembly and the drive control levers to the riding mower. Remove any packing material.

**NOTE:** Be careful not to cut the wiring harness connecting the seat and the seat switch.

2. Remove the two shoulder bolts and lock nuts in the seat pan as shown in Figure 2.

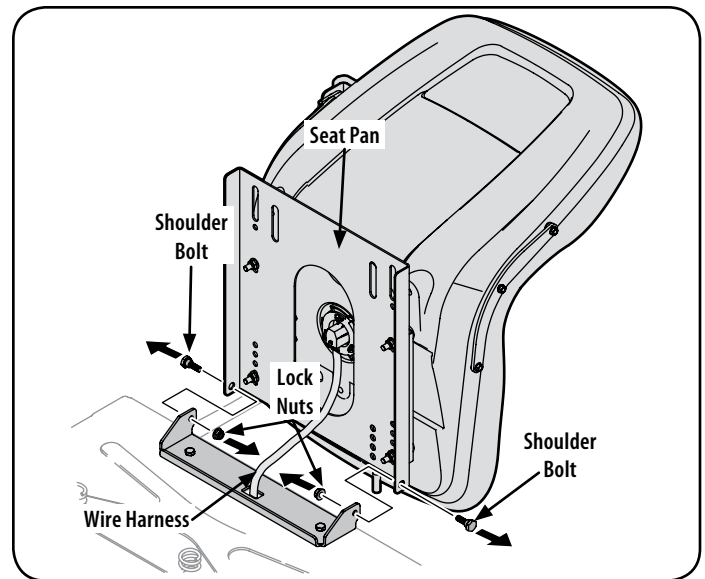


Figure 2

3. Rotate the seat into position and secure the seat into place with the previously removed shoulder bolts and lock nuts. Be careful not to crimp or damage the wire harness while installing the seat. See Figure 3.

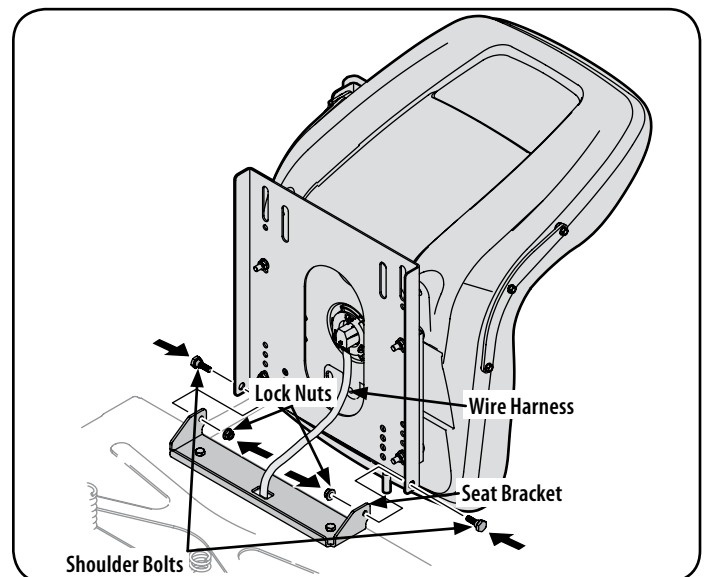


Figure 3

# ASSEMBLY

## Position Drive Control levers

The drive control levers of the riding mower are lowered for shipping purposes. The flange lock nuts, hex screws, and flat washers that normally secure the control levers in their operating position are unfastened and installed in the slotted holes of the control levers for shipment. The control levers must be repositioned to operate the riding mower. To reposition the control levers for operation, proceed as follows:

1. Remove the hex screws and flat washers from the hardware pack in your manual bag.
2. Lift and swing that control lever upward until the slotted hole in the lever bracket aligns with one of the holes in the pivot bracket. See Figure 4.

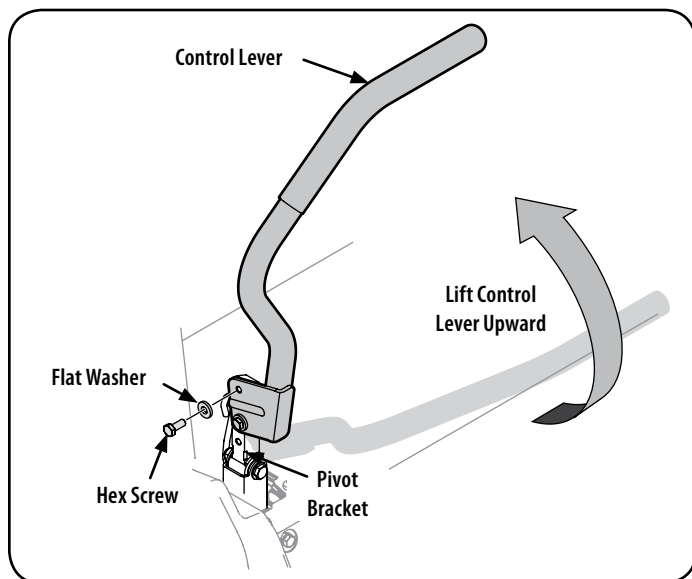


Figure 4

3. Slide the flat washer onto the hex screw. From the outside, insert the hex screw with washer through the control lever slot and the hole of the pivot bracket. See Figure 4. Using a 1/2" wrench snug the screw, but do not fully tighten.
4. Note the relative position of the control lever to the pivot bracket, then repeat the previous steps to reposition the other control lever in approximately the same position.

### ⚠ CAUTION

**Torque the screws down tightly to prevent the control levers from slipping out of position.**

5. Refer to "Adjusting the Drive Control Levers" in the Maintenance & Adjustments for instructions on the final adjustment of the levers.

## Connecting the Battery Cables

### ⚠ WARNING

**Battery posts, terminals, and related accessories contain lead and lead compounds, chemicals known to the State of California to cause cancer and reproductive harm. Wash hands after handling.**

### ⚠ CAUTION

**When attaching battery cables, always connect the POSITIVE (Red) wire to its terminal first, followed by the NEGATIVE (Black) wire.**

For shipping reasons, both battery cables on your equipment may have been left disconnected from the terminals at the factory. To connect the battery cables, proceed as follows:

**NOTE:** The positive battery terminal is marked Pos. (+). The negative battery terminal is marked Neg. (-).

**NOTE:** If the positive battery cable is already attached, skip ahead to step 2.

1. Remove the plastic cover, if present, from the positive battery terminal and attach the red cable to the positive battery terminal (+) with the bolt and hex nut. See Figure 5.

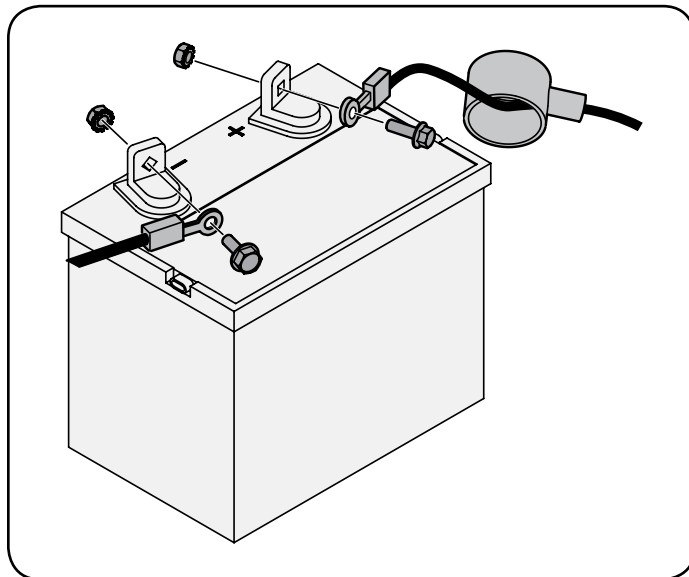


Figure 5

2. Remove the plastic cover, if present, from the negative battery terminal and attach the black cable to the negative battery terminal (-) with the bolt and hex nut. See Figure 5.
3. Position the red rubber boot over the positive battery terminal to help protect it from corrosion.

**NOTE:** If the battery is put into service after the date shown on top or side of battery, charge the battery as instructed in the Service and Maintenance section of this Operator's Manual prior to operating the riding mower.

# ASSEMBLY

## Lower Deck Discharge Chute Deflector

### **! WARNING**

Never operate the mower deck without the chute deflector installed and in the down position.

The discharge chute deflector must be installed before operating the mower.

1. Remove the keys that are attached with a zip tie to the chute bracket.
2. Remove the carriage screws, flange lock nuts and flat washers from the hardware pack in your manual bag. See Figure 6.

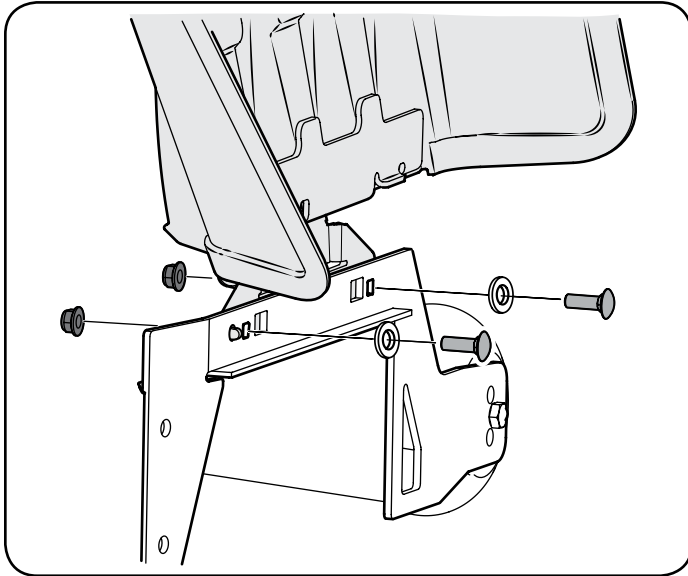


Figure 6

3. With the previously removed hardware, install the chute deflector on the deck as shown in Figure 6.

## Checking Tire Pressure

### **! WARNING**

Do not overinflate tires. Check sidewall of tires for maximum psi. Equal tire pressure should be maintained at all times.

The tires on your riding mower may be over inflated for shipping purposes. Reduce the tire pressure before operating the riding mower. Check sidewall of tires for maximum psi.

## Adjusting the Gauge Wheels

### **! WARNING**

Keep hands and feet away from the discharge opening of the cutting deck.

**NOTE:** The deck gauge wheels are an anti-scalp feature of the deck and are not designed to support the weight of the cutting deck.

The mower deck cutting height can be set in any of six height settings using the riding mower's deck lift handle. The deck heights range from 1-1/2" to 4". The deck gauge wheel position should be approximately 1/4" to 1/2" above the ground when the deck is set in the desired height setting.

Using the lift handle, set the deck in the desired height setting, then check the gauge wheel distance from the ground below. If necessary adjust as follows:

1. Visually check the distance between the front gauge wheels and the ground. If the gauge wheels are near or touching the ground, they should be raised. If more than 1/2" above the ground, they should be lowered.
2. Remove the lock nut securing one of the front gauge wheel hex screws to the deck. Remove the gauge wheel, hex screw and spacer. Refer to Figure 7.

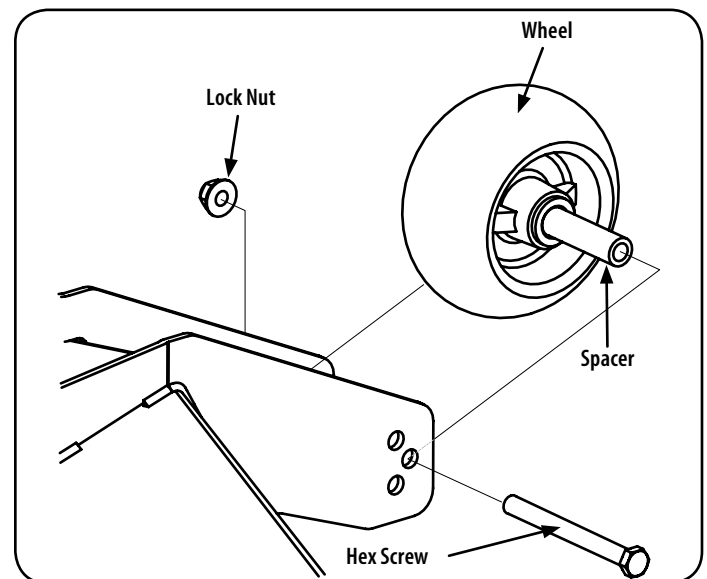


Figure 7

3. Insert the hex screw into the one of three index holes in the front gauge wheel bracket that will give the gauge wheel a 1/4-1/2" clearance with the ground.
4. Note the index hole of the just adjusted wheel, and adjust the other front gauge wheel into the respective index hole of the other front gauge wheel bracket.

# ASSEMBLY

## Adjusting the Seat

To adjust the position of the seat, rotate the seat forward and locate the two adjustment knobs on the front of the seat pan. Refer to Figure 8.

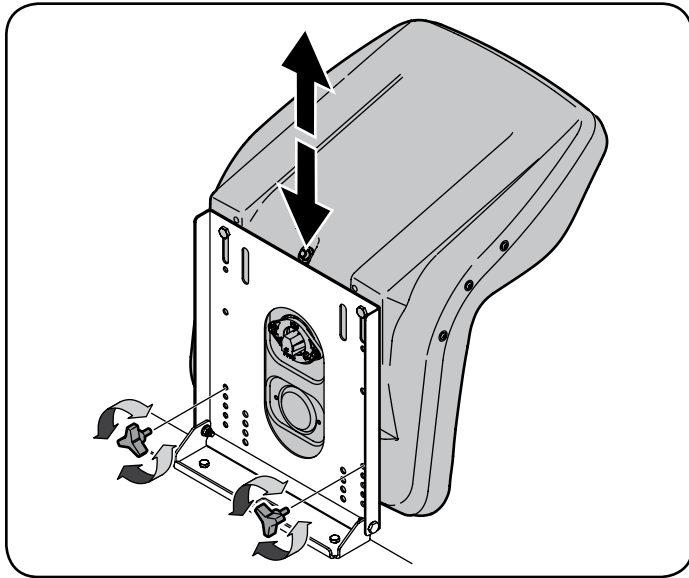


Figure 8

Rotate the clamp knobs to the left and remove them, slide the seat forward or backward and re-insert the clamp knobs into one of the four available positions on the seat pan and into the seat, then tighten securely. Make sure the seat is locked into position before operating the tractor. See Figure 8

## Gas and Oil

### Fuel Recommendations

Use automotive gasoline (unleaded or low leaded to minimize combustion chamber deposits) with a minimum of 87 octane. Gasoline with up to 10% ethanol or 15% MTBE (Methyl Tertiary Butyl Ether) can be used. Never use an oil/gasoline mixture or dirty gasoline. Avoid getting dirt, dust, or water in the fuel tank. **DO NOT** use E85 gasoline.

- Refuel in a well-ventilated area with the engine stopped. Do not smoke or allow flames or sparks in the area where the engine is refueled or where gasoline is stored.
- Do not overfill the fuel tank. After refueling, make sure the tank cap is closed properly and securely.
- Be careful not to spill fuel when refueling. Spilled fuel or fuel vapor may ignite. If any fuel is spilled, make sure the area is dry before starting the engine.
- Avoid repeated or prolonged contact with skin or breathing of vapor.

## Adding Fuel

### WARNING

Use extreme care when handling gasoline. Gasoline is extremely flammable and the vapors are explosive. Never fuel the riding mower indoors or while the engine is hot or running. Extinguish cigarettes, cigars, pipes and other sources of ignition.

1. Be sure engine is outdoors and in a well-ventilated area.
2. Clean area around the fuel fill cap and remove the fuel fill cap.
3. Using an approved red GASOLINE container, add fuel slowly, being careful to avoid spilling.
4. Fill the tank until the fuel reaches the bottom of the fuel tank neck.
5. Replace the fuel cap and tighten securely. Wipe up spilled fuel before starting engine. If fuel is spilled **DO NOT** start engine. Move riding mower away from area of spillage. Avoid creating any source of ignition until fuel vapors are gone.

## Checking and Adding Oil

Your riding mower is shipped with oil in the engine. However, you **MUST** check the oil level before operating. Check and add the oil as instructed in your Engine Operator's Manual.

## Smart Lawn App Bluetooth® Activation



Take command of your lawn care with the Bluetooth® enabled Smart Lawn App from Craftsman. Maintenance tips, weather tracking and more — everything you need to keep the best yard on the block is now in one place.

Smart Lawn also provides step-by-step instructions and video tutorials to show you how to keep your riding mower running right. Plus, you can order the parts you need directly from the app. The app also tracks the charge of your riding mower battery, as well as the state of other key replacement components like oil, blade and air filter.

Connect your Bluetooth® enabled riding mower by downloading the FREE Craftsman Smart Lawn App to begin using all of the new connectivity features of your Craftsman rider! Download it for FREE from the App Store or Google Play (works with devices running iOS 9, Android 4.4 and later versions).

Once you've created your account, the app will prompt you to enter your riding mower's model number and serial number barcodes. Next it will attempt to connect with the riding mower via Bluetooth®.

Set your smartphone Bluetooth® setting to the 'ON' position. In order to sync your phone to the riding mower, turn on the engine, or turn the key to the 'ON' position. Remember to turn the key to the 'OFF' position after you connect so as not to drain the battery charge (if not running the riding mower).

If you have further questions, call our Craftsman help line at 1-888-331-4569.

# OPERATION

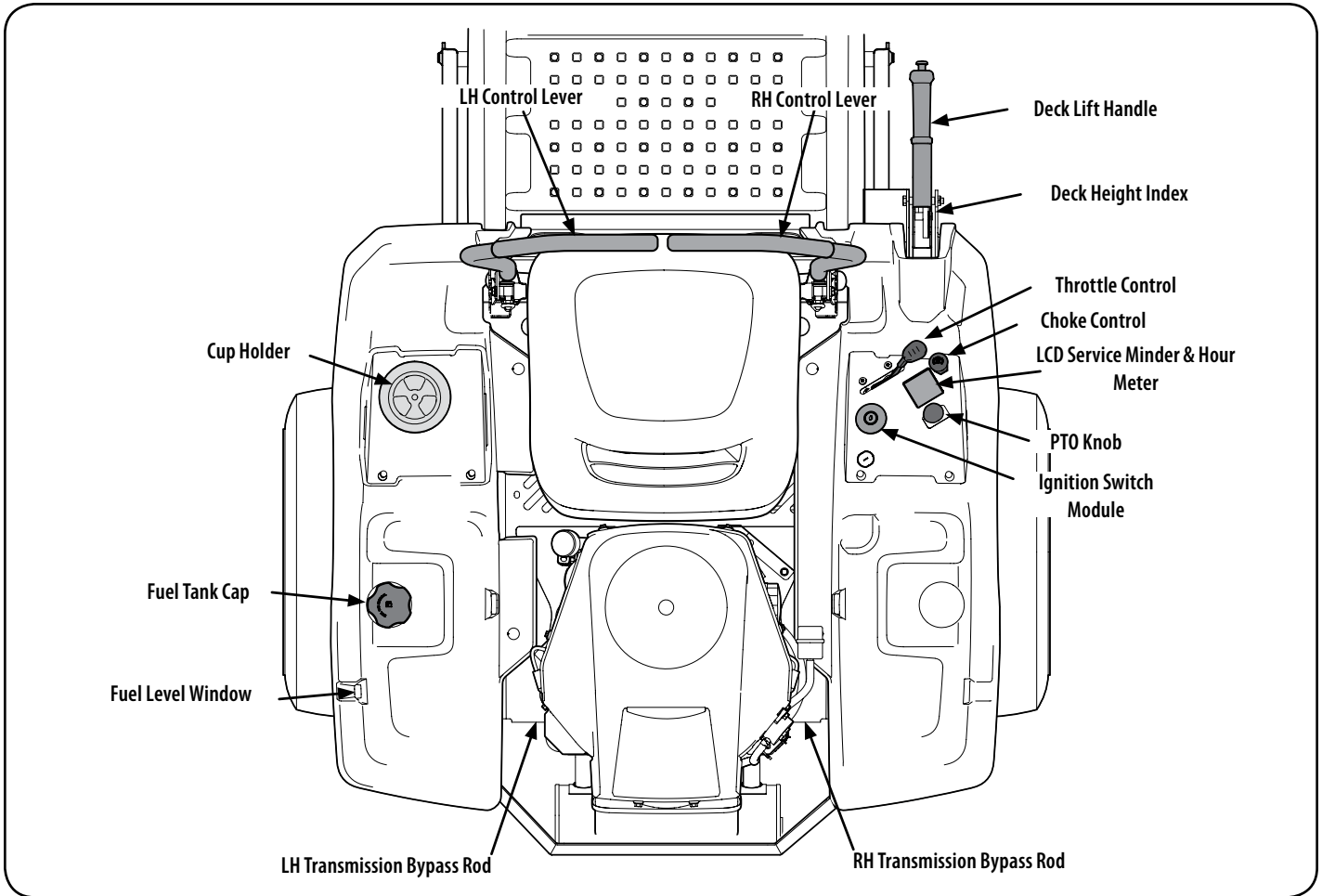


Figure 9

Now that you have set up your riding mower, it's important to become acquainted with its controls and features. Refer to Figure 9.

**NOTE:** References to LEFT, RIGHT, FRONT, and REAR indicate that position on the riding mower when facing forward while seated in the operator's seat.

**NOTE:** References to LEFT, RIGHT, FRONT, and REAR indicate that position on the tractor when facing forward while seated in the operator's seat.

## RH and LH Drive Control Levers

The RH and LH control levers are located on each side of the operator's seat. These hinged levers pivot outward to open space to permit the operator to either sit in the tractor seat, or to dismount the tractor. The levers must be fully opened out and in the neutral position to start the tractor engine. When the levers are fully outward, the parking brake is also engaged.

Each lever controls the respective RH or LH transmission. Consequently, these levers control all of the movements of the tractor. Driving and steering utilizing these control levers is quite different from conventional tractors, and will take some practice to master. Refer to Operation for instructions on using the control levers.

## Cup Holder

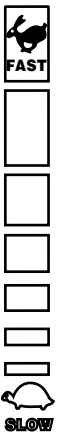
The cup holder is located to the left of the operator's seat on the LH console.

## Throttle Control

The throttle control is located on the RH console. When set in a given position, a uniform engine speed will be maintained.

Push the throttle control handle forward to increase the engine speed. The tractor is designed to operate with the throttle control in the fast position (full throttle) when the tractor is being driven and the mower deck is engaged.

Pull the throttle control handle rearward to decrease the engine speed.

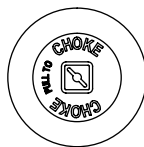




# OPERATION

## Choke Control

The choke control is located on the RH console. The choke control determines the position of the engine choke. Pull the knob out to choke the engine; push the knob in to open the choke.



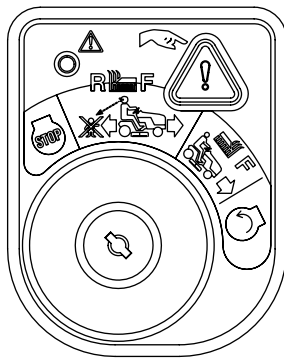
## Ignition Switch Module

### ⚠ WARNING

Never leave a running machine unattended. Always disengage PTO, set parking brake, stop engine and remove key to prevent unintended starting.

To start the engine, insert the key into the ignition switch and turn clockwise to the START position. Release the key into the NORMAL MOWING MODE position once the engine has fired.

To stop the engine, turn the ignition key counterclockwise to the STOP position.



### ⚠ CAUTION

Prior to operating the tractor, refer to both Safety Interlock Switches and Starting The Engine in the Operation section of this manual for detailed instructions regarding the Ignition Switch Module and operating the tractor in REVERSE CAUTION MODE.

## Deck Height Index

The deck height index consists of several holes located on the front of the RH console. Each hole corresponds to a 1/4" change in the deck height position ranging from 1" at the lowest notch to 4" at the highest notch. The highest notch is also the transport position and the lowest position is the deck removal/installation position.

**NOTE:** Do not cut grass in the deck removal/installation position. Doing so is detrimental to the belt life.

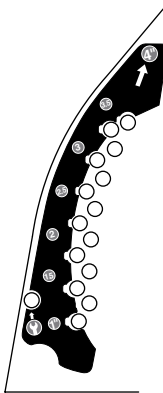
## Deck Lift Handle

The deck lift handle is located on the front of the RH console, and is used to raise and lower the mower deck.

Depress the button on the end of the handle and push downward to lower the deck, or pull upward to raise the deck. When the desired height is attained, secure the pin in the desired index hole and release the button on the handle.

**NOTE:** Make certain the deck is secured and the pin is fully inserted into the deck height index. The pin is keyed to help keep it in place and fits into the slotted holes on the deck height index.

**NOTE:** The deck lift handle must always be above the pin, never hang the deck lift handle from the pin when mowing.

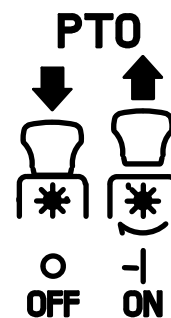


## Power Take-Off (PTO) Knob

The PTO knob is located on the RH console to the left of the hour meter/indicator panel.

The PTO knob operates the electric PTO clutch mounted on the bottom of the engine crankshaft. Pull the knob upward to engage the PTO clutch, or push the knob downward to disengage the clutch.

The PTO knob must be in the "disengaged" position when starting the engine.



## Transmission Bypass Rods

The transmission bypass rods (one for each the RH and LH transmission) are located on the rear of the tractor, just inside each rear wheel.

When engaged, the two rods open a bypass within the hydrostatic transmissions, which allows the tractor to be pushed short distances by hand. Refer to the Assembly & Set-Up section for instructions on using the bypass feature.

### ⚠ CAUTION

Never tow your tractor. Towing the tractor with the rear wheels on the ground may cause severe damage to the transmissions.

## Fuel Tank Cap

The fuel tank cap is located near the middle of the LH console. Turn the fill cap to remove. The fuel cap is tethered to the tractor to prevent its loss. Do not attempt to remove the cap from the tractor. Fill tank to the bottom of the filler neck, allowing some space in the tank for fuel expansion. Do not overfill the tank.

Push the cap downward on the fuel tank fill neck and turn clockwise until it clicks to tighten. Always re-install the fuel cap tightly onto the fuel tank after removing.

### ⚠ WARNING

Never fill the fuel tank when the engine is running. If the engine is hot from recently running, allow to cool for several minutes before refueling. Highly flammable gasoline could splash onto the engine and cause a fire.

## Fuel Level Window

The fuel level window is located on the outside of the LH console and shows the level of fuel in the gas tank.



## Transmission Oil Expansion Reservoir

The transmission oil expansion reservoir is connected by hoses to the RH and LH transmission assemblies, and is located behind the seat box. The function of the reservoir is to hold the natural expansion of transmission oil that occurs as the transmission warms up during operation. See the Assembly & Set-Up section for more information on the transmission oil expansion reservoir.



# OPERATION

## LCD Service Minder & Hour Meter w/ Smart Lawn App Bluetooth® Activation

When the ignition key is rotated out of the STOP  position but not into the START  position, the LCD Service Minder and Hour Meter will briefly display the battery voltage, followed by the tractor's accumulated hours.

**NOTE:** Hours of tractor operation  are recorded only when the engine is running. If the riding mower is equipped with headlights, the lights will remain on until the riding mower is turned off.

### Smart Lawn App



The app's automated maintenance dashboard and log will help you keep your machine running at peak performance and protect your investment by tracking total hours across the lifetime of your equipment.

Receive alert notifications when it's time to perform essential maintenance tasks. Your dashboard provides real time monitoring and indicates when it's time for you to check or change the oil, air filter, blades or battery. The app also enables you to locate and contact service centers, access step-by-step instructions to perform routine maintenance and purchase replacement parts directly from your mobile device.

### Change Oil

The LCD will display the letters "CHG", followed by the letters "OIL", followed by the letters "SOON", then finally followed by the meter's accumulated time. "CHG/OIL/SOON/TIME" will alternate on the display for 7 minutes after the meter reaches 50 hours. This oil service minder interval will occur every 50 hours. Before the interval expires, change the engine oil as instructed in the Maintenance section of the Engine Operator's Manual.

### Low Oil (If so equipped)

The letters "LO" followed by the letters "OIL", then followed by the meter's accumulated time will indicate the tractor is low on oil. When an engine is not running and immediately after the engine is started the oil pressure may be low. This can trigger the "LO" "OIL" text. This is normal. If the low oil indication persists stop the tractor immediately and check the engine oil level as instructed in the Engine Operator's Manual.

**NOTE:** The "LOW OIL" function only works if the engine is equipped with an oil pressure switch.

### Low Battery

At startup, the battery voltage is briefly displayed then changes to accumulated hours. The letters "LO" will display followed by the letters "BATT" and then followed by the meter's accumulated time. "LO/BATT/TIME" is displayed on the LCD when the voltage drops below 11.5 volts. When this occurs, the battery is in need of a charge or the engine's charging system is not generating sufficient amperage. Charge the battery as instructed in the Service section of this manual or have the charging system checked by your local service dealer.

### Air Filter Service

The letters "CLN" will display, followed by the letters "AIR", followed by "FILT", then followed by the meter's accumulated time. "CLN/AIR/FILT/TIME" will alternate on the display for 7 minutes after the meter reaches 50 hours. This air filter service minder time interval will be every 50 hours. On intervals that are common with oil service, the oil message will be displayed first followed by the air filter message.

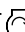

## General Safety

- RECEIVE INSTRUCTION — Entirely read this operator's manual. Learn to operate this machine SAFELY. Do not risk INJURY or DEATH. Allow only those who have become competent in its usage to operate this tractor.
- Before starting the engine or beginning operation, be familiar with the controls. The operator should be in the operator's seat. The PTO switch must be in the disengaged position and the RH and LH drive control levers moved to the neutral position engaging the parking brake.
- Keep all shields in place. Keep away from moving parts.
- NO RIDERS! Keep all people and pets a safe distance away. Look behind and down to both sides of the tractor before and while backing up.
- DO NOT direct the mower discharge at people. Never walk or stand on the discharge side of the mower when the engine is running. Turn off the PTO if another person approaches while you are operating the mower.
- Avoid slopes where possible. Never operate on slopes greater than 15°. Slopes with a greater incline present dangerous operating conditions. Tractors can be rolled over. Always mow across slopes, never up and down the slope. Avoid turning downhill if possible, start at the bottom and work up to the top. Use extra care and go slowly when turning downhill. Control the speed and direction of the zero turn machine "primarily" with the speed/directional control (lap bar) of the downhill side of the machine, i.e., maintain the uphill side lap bar "essentially" in a fixed position.
- Before leaving the operator's seat: Shut off the PTO, move the RH and LH drive control levers fully outward in the neutral position, engage the parking brake, shut off the engine and remove the ignition key. Wait for all movement to stop before servicing or cleaning.
- When operating this mower, in the forward direction, do not allow the steering levers to return to neutral on their own. Operate the drive control levers smoothly and avoid any sudden movements of the levers when starting and stopping. Keep a firm grip on the control levers.
- Be careful when operating near gravel paths and roadways. Stop the blades and tractor motion and wait for vehicles to pass before operating along the road.
- Do not operate the tractor with the mower deck removed. Removal of the deck will change the balance of the tractor, and could contribute to a tractor rollover.
- Avoid operation on traction surfaces that are unstable; use extreme caution if the surface is slippery. Always remove debris and other objects from the area to be mowed - debris and loose grass will reduce traction.
- Mow only in daylight or good artificial light.
- Watch for holes, sprinkler heads, and other hidden hazards.
- Avoid driving too close to trees, creeks, ditches, sand traps, and other obstacles.
- Slow down before turning and come to a complete stop before any zero turn maneuver.
- If you hit a solid object while mowing, turn off the PTO, place the steering levers in the neutral, opened-out position, move the throttle to slow, set the parking brake, shut off the engine, and take the key from the ignition switch. Inspect for damage. Repair the damage. Make sure the blades are in good condition and that the blade bolts are tight before restarting the engine.
- Do not stop the tractor or park the tractor over combustible materials such as dry grass, leaves, debris, etc.
- Keep the mower and especially the engine and hydraulic components clean and free of grease, grass, and leaves to reduce the chance of fire and permit proper cooling.
- Do not fill the fuel tank when the engine is running or while the engine is hot. Allow the engine several minutes to cool before refueling. Tighten the fuel cap securely.

# OPERATION

## Checking the Safety Interlock Circuits

Periodically check the safety interlock circuits to ensure they are working properly. If a safety circuit is not working as designed, contact your authorized service dealer to have the tractor inspected. DO NOT operate the tractor if any safety circuit is not functioning properly. To check the safety circuits, proceed as follows:

1. Pull the PTO switch upward to the engaged position. Momentarily turn the ignition switch to the START  position; the engine should not crank.
2. Move both control levers fully inward in the neutral position; then lift upward from the operator's seat. The engine should stop.
3. With both control levers fully outward in the neutral/parking brake engaged position, engage the PTO. Lift upward from the operator's seat; the engine should stop.
- Start the tractor and move the control levers inward to the neutral operating position. Engage the PTO and move both control lever slowly into the slow reverse position with the key in the NORMAL MOWING ; the PTO should disengage and the mower deck should stop.

## Before Operating Your Tractor

1. Before you operate the tractor, study this manual carefully to familiarize yourself with the operation of all the instruments and controls. It has been prepared to help you operate and maintain your tractor efficiently.
2. Fill the fuel tank with only clean, fresh, unleaded gasoline with a pump sticker octane rating of 87 or higher and 10% ethanol maximum. When the fuel reaches one inch from the top of the tank, stop. DO NOT OVERFILL. Space must be left for expansion.
3. Unleaded gasoline is recommended because it leaves less combustion chamber deposits and reduces harmful exhaust emissions. Leaded gasoline is not recommended and must not be used where exhaust emissions are regulated.  
**NOTE:** Purchase gasoline in small quantities. Do not use gasoline left over from the previous season, to minimize gum deposits in the fuel system.
4. Gasohol (up to 10% ethyl alcohol, 90% unleaded gasoline by volume) is an approved fuel. Other gasoline/alcohol blends are not approved.
5. Methyl Tertiary Butyl Ether (MTBE) and unleaded gas blends (up to a maximum of 15% MTBE by volume) are approved fuels. Other gasoline/ether blends are not approved.
6. Check the engine oil level. Refer to the Engine Operator's manual for instructions on checking the engine oil level.
7. Clean the air cleaner element if necessary.
8. Check the tire inflation pressures. See the tire side wall for proper inflation pressures.  
**NOTE:** New tires are overinflated in order to properly seat the bead to the rim.
9. Check that all nuts, bolts and screws are tight.
10. Check the tension of the deck drive belts.
  - a. Remove the deck cover
  - b. The tension of the deck drive belts are maintained by a spring mechanism that adjusts for wear and stretch.
  - c. Examine the belts for cuts, fraying, and excessive wear. Replace if any of these are detected.
  - d. Replace the deck cover.
11. Check if deck is level. When correctly adjusted the mower deck should be level side to side, and the front of the deck should be approximately 1/4" lower than the rear of deck. If deck needs to be leveled, refer to the Service and Maintenance section.

12. Lubricate all pivot points listed in the Service and Maintenance section.
13. Adjust the seat for operator's maximum comfort, visibility and for maintaining complete control of the tractor.

## Safety Interlock System

This tractor is equipped with a safety interlock system for the protection of the operator. If the interlock system should ever malfunction, do not operate the tractor. Contact your authorized service dealer.

- The safety interlock system prevents the engine from cranking or starting unless the RH and LH drive control levers are moved fully outward in the neutral position — which engages the parking brake — and the PTO is disengaged.
- The safety interlock system will shut off the engine if the operator leaves the seat before the RH and LH drive control levers are fully outward in the neutral position engaging the parking brake.
- The safety interlock system will shut off the engine if the operator leaves the seat with the PTO engaged, regardless of whether the RH and LH drive control levers are fully outward in the neutral position engaging the parking brake.  
**NOTE:** The PTO switch must be moved to the "OFF" position to restart the engine.
- The safety interlock system will shut off the PTO and the mower blades will stop if both drive control levers are moved into the reverse position. To restart the blades the PTO must be moved to the "OFF" position and then back to the "ON" position.







## Starting the Engine

### WARNING

This tractor is equipped with a safety interlock system designed for the protection of the operator. Do not operate the tractor if any part of the interlock system is malfunctioning. Periodically check the functions of the interlock system for proper operation.

### WARNING

For personal safety, the operator must be sitting in the tractor seat when starting the engine.


1. Operator must be sitting in the tractor seat with the RH and LH drive control levers fully outward in the neutral position engaging the parking brake.
2. Make certain the PTO switch is in the disengaged (down) position.
3. Pull the choke knob (if equipped) up into the CHOKE  position or move the throttle/choke control (if equipped) into the CHOKE  position.  
**NOTE:** If the engine is warmed up, it may not be necessary to choke the engine.
5. Move the throttle control (if equipped) to midway between its slow  and fast  positions.
6. Turn the ignition key clockwise to the START  position. After the engine starts, release the key. It will return to the NORMAL MOWING  position.

### CAUTION

Do NOT hold the key in the START  position for longer than ten seconds at a time. Doing so may cause damage to your engine's electric starter.

7. Once the engine warms up, push the choke knob down into the OFF position.

# OPERATION

**NOTE:** Do NOT leave the throttle/choke control (if equipped) or choke control (if equipped) in the CHOKE  position while operating the tractor. Doing so will result in a “rich” fuel mixture and cause the engine to run poorly.

## Cold Weather Starting

When starting the engine at temperatures near or below freezing, ensure the correct viscosity motor oil is used in the engine and the battery is fully charged. Start the engine as follows:

1. Be sure the battery is in good condition. A warm battery has much more starting capacity than a cold battery.
2. Use fresh winter grade fuel. Winter grade gasoline has higher volatility to improve starting. Do not use gasoline left over from summer.
3. Follow the previous instruction for Starting the Engine.

## Using Jumper Cables To Start Engine



### WARNING

Batteries contain sulfuric acid and produce explosive gasses. Make certain the area is well ventilated, wear gloves and eye protection, and avoid sparks or flames near the battery.

If the battery charge is not sufficient to crank the engine, recharge the battery. If a battery charger is unavailable and the tractor must be started, the aid of a booster battery will be necessary. Connect the booster battery as follows:

1. Connect the end of one cable to the disabled tractor battery’s positive terminal; then connect the other end of that cable to the booster battery’s positive terminal.
2. Connect one end of the other cable to the booster battery’s negative terminal; then connect the other end of that cable to the frame of the disabled tractor, as far from the battery as possible.
3. Start the disabled tractor following the normal starting instructions previously provided; then disconnect the jumper cables in the exact reverse order of their connection.
4. Have the tractor’s electrical system checked and repaired as soon as possible to eliminate the need for jump starting.

## Stopping the Engine

1. Place the PTO switch in the OFF (down) position.
2. Move RH and LH drive control levers fully outward in the neutral position engaging the parking brake.
3. Move the throttle control (if equipped) or throttle/choke control (if equipped) to the SLOW  position and allow the engine to idle for about one minute.
4. Turn the ignition key to the STOP  position and remove the key from the ignition switch.

**NOTE:** Always remove the key from the ignition switch to prevent accidental starting or battery discharge if the equipment is left unattended.

## Practice Operation (Initial Use)

Operating a zero-turn tractor is not like operating a conventional type riding tractor. Although and because a zero turn tractor is more maneuverable, getting used to operating the control levers takes some practice.

We strongly recommend that you locate a reasonably large, level and open “practice area” where there are no obstructions, pedestrians, or animals. You should practice operating the tractor for a minimum of 30 minutes.

Carefully move (or have moved) the tractor to the practice area. When performing the practice session, the PTO should not be engaged. While practicing, operate the tractor at approximately 1/2-3/4 throttle and at less than full speed in both forward and reverse.

Use protective equipment for eyes, hands, hearing, feet, legs, head and other areas of the body if needed — safety eye glasses, gloves, earplugs, boots, hats, etc.

### WARNING

Hearing Protection is required for all operator exposure exceeding two (2) hours.

Carefully practice maneuvering the tractor using the instructions in the following section “Driving the Tractor.” Practice until you are confident that you can safely operate the tractor.

## Driving the Tractor

### WARNING

Avoid sudden starts, excessive speed and sudden stops.

1. Adjust the operator’s seat to the most comfortable position that allows you to operate the controls. See seat adjustment in the Assembly & Set-Up section.
2. Move the RH and LH drive control levers inward in the neutral position. Refer to Figure 10.

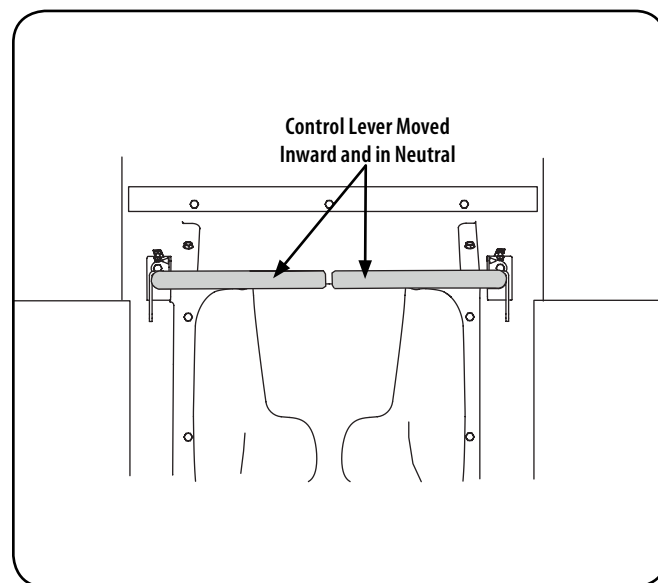


Figure 10

**NOTE:** If the control levers are not even in the neutral position, refer to Service and Maintenance for instructions to adjust the levers so that they are even.

# OPERATION

3. Move the throttle control lever (if equipped) or throttle/choke control lever forward to the full throttle position.

**NOTE:** Although the tractor's engine is designed to run at full throttle, when performing a practice session the tractor must be operated at less than full throttle. This only applies to practice.

## ! WARNING

Always maintain a firm grip on the control levers. DO NOT release the control levers to slow or stop the tractor; move levers to neutral position using your hands.

4. To drive the tractor, firmly grasp the respective drive control levers with your right and left hands and continue with Driving the Tractor Forward on the following page.

## Driving the Tractor Forward

## ! WARNING

Keep all movement of the drive control levers slow and smooth. Abrupt movement of the control levers can affect the stability of the tractor and could cause the tractor to flip over, which may result in serious injury or death to the operator.

1. Slowly and evenly move both drive control levers forward. The tractor will start to move forward. See Figure 11.

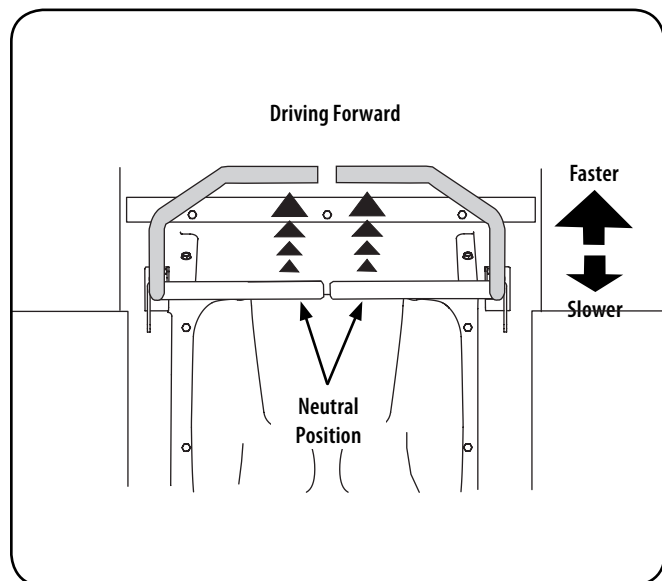


Figure 11

2. As the control levers are pushed farther forward the speed of the tractor will increase.
3. To slow the tractor move the controls lever rearward to attain the desired speed, or move the levers to the neutral position to stop the tractor.

## ! WARNING

Always maintain your grasp on the drive control levers. Do not release the levers to slow the tractor or to return to neutral.

## Turning the Tractor While Driving Forward

## ! WARNING

When reversing the direction of travel, we recommend performing gradual 'U' turns where possible. Sharper turns increase the possibility of turf defacement, and could affect control of the tractor. ALWAYS slow the tractor before making sharp turns.

To turn the tractor while driving forward, move the control levers as necessary so that one lever is rearward of the other. The tractor will turn in the direction of the rearward control lever.

1. To turn to the left, move the left drive control lever rearward of the right lever. See Figure 12.

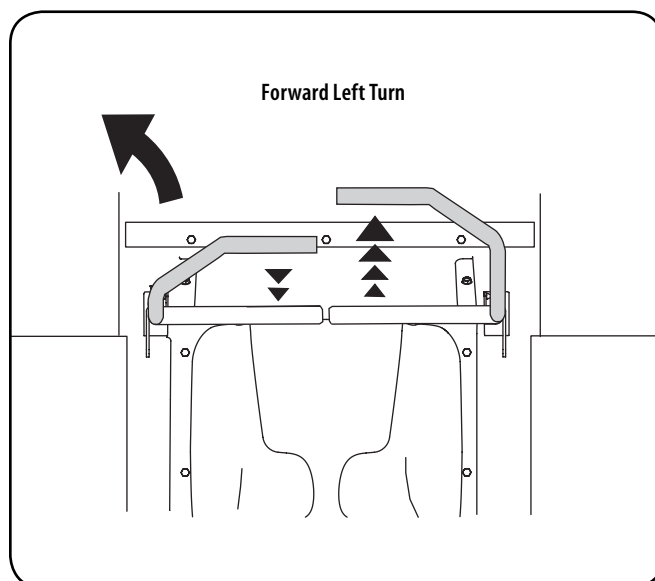


Figure 12

2. To turn to the right, move the right drive control lever rearward of the left lever. See Figure 13.

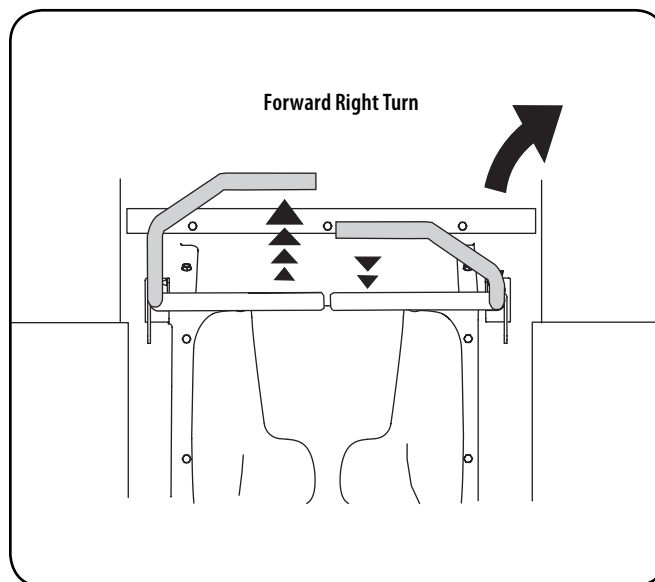


Figure 13

# OPERATION

3. The greater the fore-to-aft distance between the two levers, the sharper the tractor will turn.
4. To execute a "pivot turn," move the turn side drive control lever to the neutral position, while moving the other control lever forward.

**NOTE:** Making a "pivot turn" on grass will greatly increase the potential for defacement of the turf.

## Driving the Tractor In Reverse

### WARNING

Always look behind and down on both sides of the tractor before backing up. Always look behind while traveling in the reverse direction.

1. Slowly and evenly move both drive control levers rearward. The tractor will start to move in the reverse direction. See Figure 14.

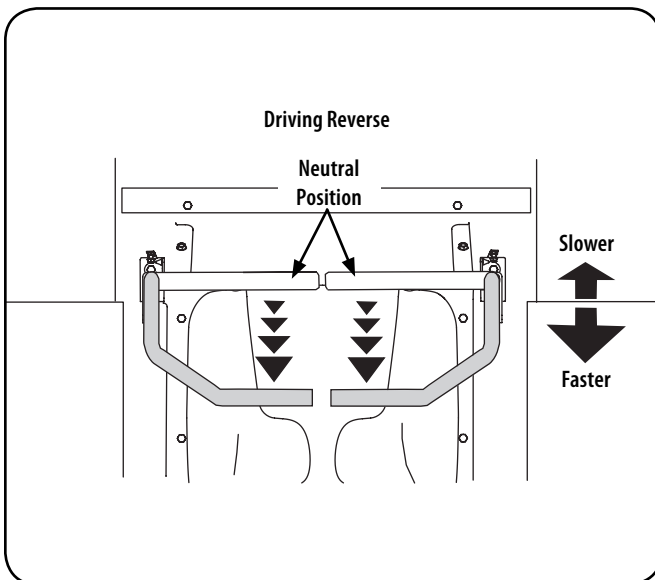


Figure 14

2. As the control levers are pushed farther rearward the speed of the tractor will increase.
3. To slow the tractor move the controls lever forward to attain the desired speed, or move the levers to the neutral position to stop the tractor.

## Turning While Driving Rearward

To turn the tractor while driving rearward, move the control levers as necessary so that one lever is forward of the other. The tractor will turn in the direction of the forward control lever.

1. To turn to the left while traveling in reverse, move the left drive control lever forward of the right lever. See Figure 15.

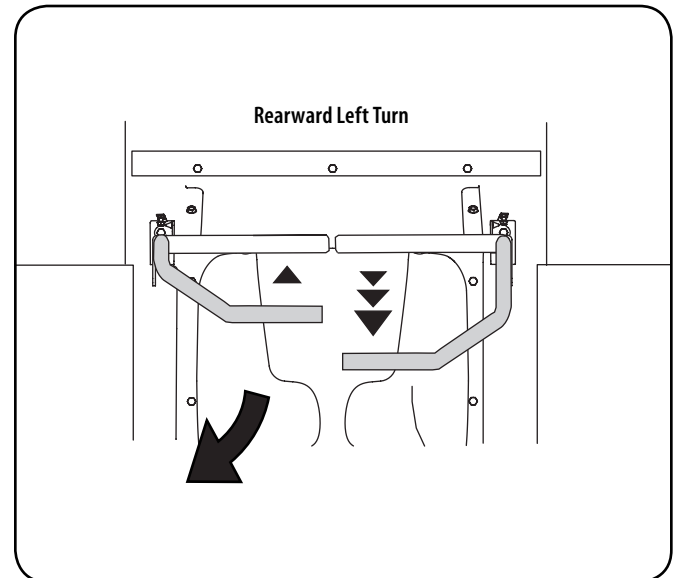


Figure 15

2. To turn to the right while traveling in reverse, move the right drive control lever forward of the left lever. See Figure 16.

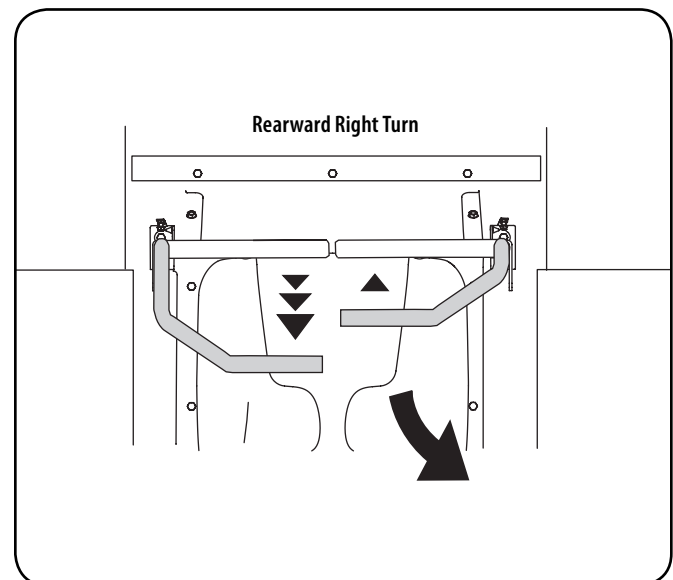



Figure 16

3. The greater the fore-to-aft distance between the two levers, the sharper the tractor will turn.
4. To execute a "pivot turn," move the turn side drive control lever to the neutral position, while moving the other control lever rearward.

**NOTE:** Making a "pivot turn" on grass will greatly increase the potential for defacement of the turf.


# OPERATION

## Reverse Caution Mode

The REVERSE CAUTION MODE  position of the key switch module allows the tractor to be operated in reverse with the blades (PTO) engaged.



**NOTE:** Mowing in reverse is not recommended.

### WARNING

Use extreme caution while operating the tractor in the REVERSE CAUTION MODE . Always look down and behind before and while backing. Do not operate the tractor when children or others are around. Stop the tractor immediately if someone enters the area

To use the REVERSE CAUTION MODE :

**NOTE:** The operator MUST be seated in the tractor seat.

1. Start the engine as instructed on the previous page.
2. Turn the key from the NORMAL MOWING  (Green) position to the REVERSE CAUTION MODE  (Yellow) position of the key switch module. See Figure 17.

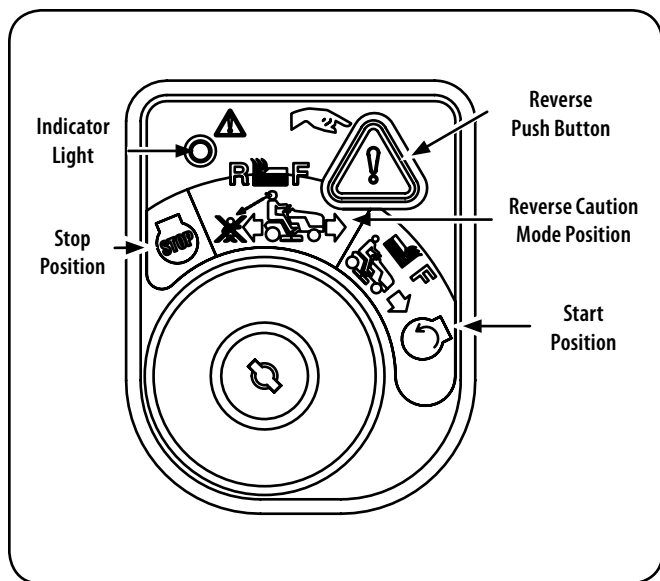
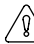





Figure 17

3. Press the REVERSE PUSH BUTTON  (Orange, Triangular Button) at the top, right corner of the key switch module. The red indicator light at the top, left corner of the key switch module will be ON while activated. See Figure 17.
4. Once activated (indicator light ON), the tractor can be driven in reverse with the cutting blades (PTO) engaged.
5. Always look down and behind before and while backing to make sure no children are around. After resuming forward motion, return the key to the NORMAL MOWING  position.

The REVERSE CAUTION MODE  will remain activated until:

- a. The key is placed in either the NORMAL MOWING  position or STOP  position or
- b. The operator leaves the seat.

## Executing a Zero Turn

### WARNING

When executing a zero turn, the tractor MUST BE STOPPED. Executing a zero turn while the tractor is moving can significantly reduce your control of the tractor and will cause severe turf defacement to occur.

1. Stop the forward or reverse motion of the tractor by moving the two drive control levers to neutral.
2. To turn clockwise, move the left control lever forward while simultaneously moving the right control lever rearward. See Figure 18.

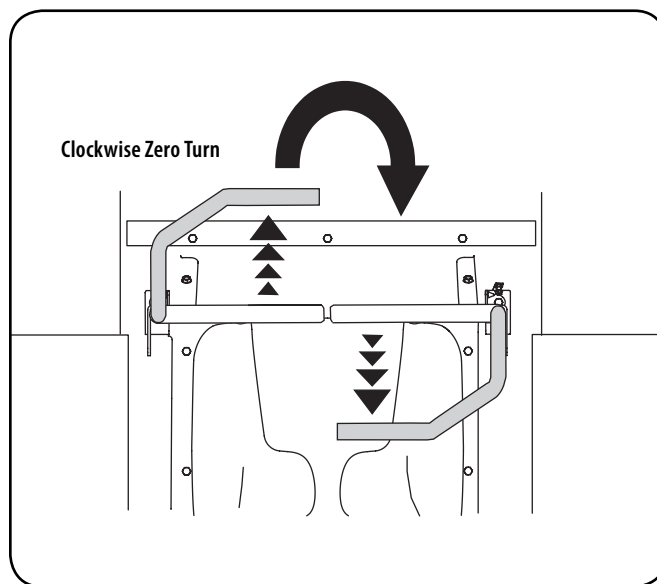


Figure 18

3. To turn counterclockwise, move the right control lever forward while simultaneously moving the left control lever rearward. See Figure 19.

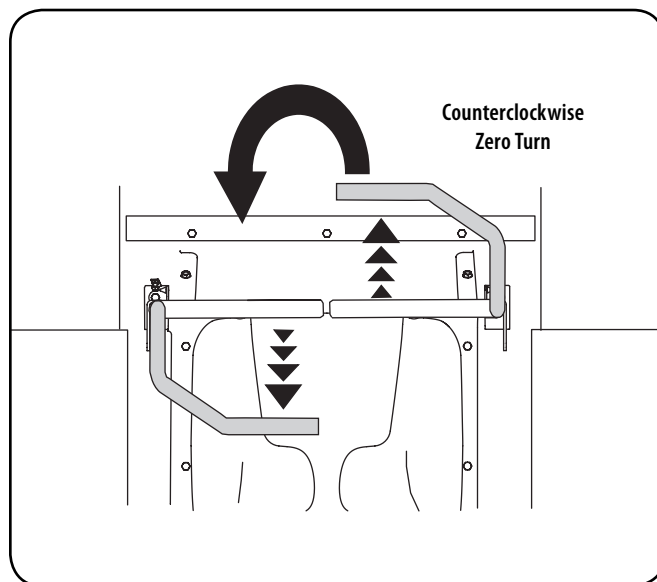


Figure 19



# OPERATION

## Executing a “Y” Maneuver

For low traction conditions, follow these procedures for zero turns (the “Y-maneuver”):

To turn clockwise (front of machine moves toward RIGHT) when traveling FORWARD:

1. Come to a stop,
2. Then slowly move both lap bars rearward (no more than ½ maximum reverse speed) to initiate REVERSE travel,
3. Then slowly move the LEFT lap bar forward while maintaining the RIGHT lap bar in the rearward travel position.
4. To stop the turn and re-initiate FORWARD travel, slowly move the RIGHT lap bar from the REVERSE travel position to a FORWARD travel position equal to that of the LEFT lap bar.
5. For counterclockwise turns, reverse the above procedure.

## Stopping the Tractor

1. Move both drive control levers to the neutral position to stop the motion of the tractor.
2. Push the PTO knob downward to the disengaged position.
3. Use the deck lift handle to raise the deck to its highest position by depressing the button at the end of the handle and pulling upwards. Make sure the latch engages on the pin. See Figure 20.

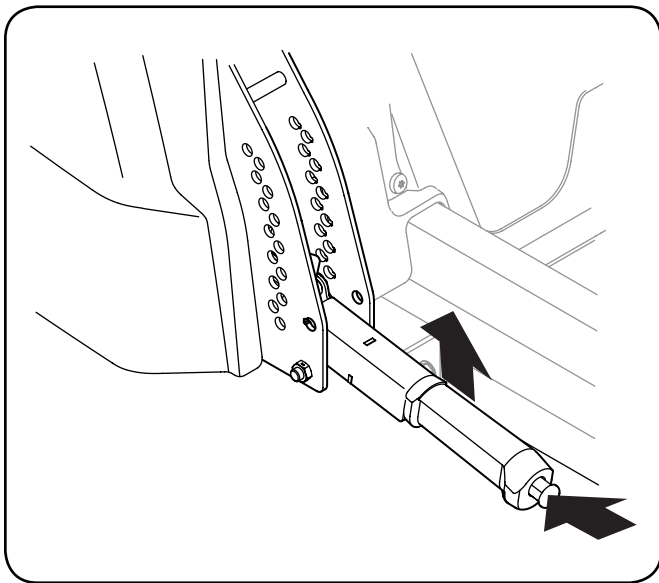


Figure 20

4. If dismantling the tractor, move the drive control handles fully outward in the neutral position engaging the parking brake, move the throttle control lever to the mid-throttle or SLOW position, turn the ignition switch to STOP and remove the key from the switch.

### **! WARNING**

Do not leave the seat of the tractor without disengaging the PTO, moving drive control levers fully outward in the neutral position engaging the parking brake. If leaving the tractor unattended, turn the ignition key off and remove key.

## Driving On Slopes

Refer to the slope gauge in the Safe Operation Section to help determine slopes where you may not operate safely.

### **! WARNING**

Do not operate on inclines with a slope in excess of 15 degrees (a rise of approximately 2-½ feet every 10 feet). The tractor could overturn and cause serious injury.

1. Always drive across slopes, never up and down. Control the speed and direction of the tractor using primarily the control lever on the downhill side of the tractor, with the uphill control lever remaining essentially in a fixed position.
2. Avoid turning downhill if possible. Start at the bottom of a slope and work upward. Always slow down before turning.
3. Use extra care and go slowly when turning downhill.

## Operating The PTO

Operate the PTO clutch as follows:

**NOTE:** During your units initial break-in period, in order to engage the PTO and avoid engine stall, allow the engine to warm before engaging the PTO. Break-In period varies depending on your engine.

1. Move the throttle control lever to the FAST position.
2. Pull the PTO knob upward to the ENGAGED position.
3. The operator must remain in the tractor seat at all times. If the operator should leave the seat without disengaging the PTO, the tractor's engine will shut off.
4. The PTO clutch cannot be operated when the tractor is driving in the reverse direction. The PTO will disengage when both drive control levers are moved to the reverse position and will re-engage when one (or both) control lever(s) is moved to the neutral or forward position.

## Mowing

### **! WARNING**

Make certain the area to be mowed is free of debris, sticks, stones, wire or other objects that can be thrown by the rotating blades.

**NOTE:** Do not engage the mower deck when lowered in grass. Premature wear and possible failure of the “V” belt and PTO clutch will result. Fully raise the deck or move to a non grassy area before engaging the mower deck.

1. Mow across slopes, not up and down. If mowing a slope, start at bottom and work upward to ensure turns are made uphill.
2. On the first pass pick a point on the opposite side of the area to be mowed.
3. Engage the PTO and move the throttle control to the FAST position.
4. Lower the mower deck to the desired height setting using the deck lift handle.
5. Slowly and evenly push the RH and LH drive control levers forward to move the tractor forward, and keep the tractor headed directly toward the alignment point.

**NOTE:** The speed of the tractor will affect the quality of the mower cut. Mowing at full speed will adversely affect the cut quality. Control the ground speed with the control levers.

# OPERATION

- When approaching the other end of the strip, slow down or stop before turning. A U-turn is recommended unless a pivot or zero turn is required.
- Align the mower with an edge of the mowed strip and overlap approximately 3".
- Direct the tractor on each subsequent strip to align with a previously cut strip.
- To prevent rutting or grooving of the turf, if possible, change the direction that the strips are mowed by approximately 45° for the next and each subsequent mowing.

## WARNING

Be careful when crossing gravel paths or driveways. Disengage the PTO and raise the deck to the highest position before crossing.

**NOTE:** When stopping the tractor for any reason while on a grass surface, always:

- Place the control levers in the neutral/parking brake engaged position,
- Shut engine off and remove the key.
- Doing so will minimize the possibility of having your lawn "browned" by hot exhaust from your tractor's running engine.

## Deck Lift Lever

To raise or lower the cutting deck, depress the button on the end of the handle and push downward to lower the deck, or pull upward to raise the deck, then place it in the hole best suited for your application. To place the deck in the transport position, lift the handle all the way up and hang the top hook on the handle from the upper spacer on the deck height index bracket. See Figure 21.

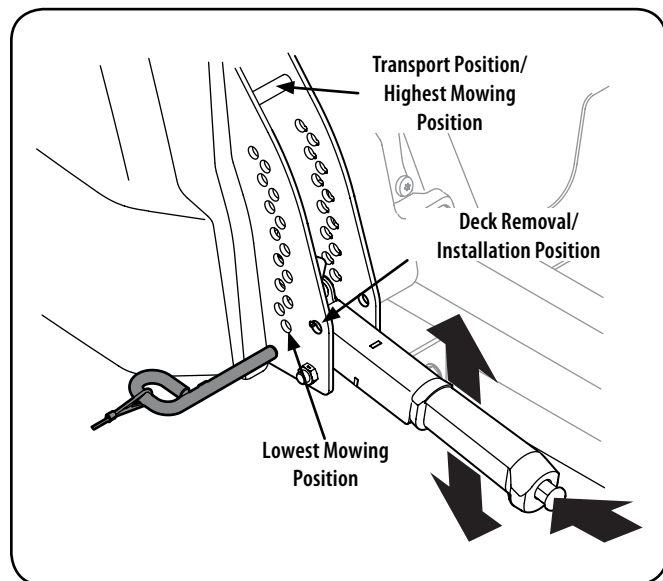


Figure 21

**NOTE:** Make certain the deck is secured and the pin is fully inserted into the deck height index. The pin is keyed to help keep it in place and fits into the slotted holes on the deck height index.

**NOTE:** The deck lift handle must always be above the pin, never hang the deck lift handle from the pin when mowing.



# SERVICE AND MAINTENANCE

## MAINTENANCE SCHEDULE

### WARNING

Before performing any type of maintenance/service, disengage all controls and stop the engine. Wait until all moving parts have come to a complete stop. Disconnect spark plug wire and ground it against the engine to prevent unintended starting. Always wear safety glasses during operation or while performing any adjustments or repairs.

Follow the maintenance schedule given below. This chart describes service guidelines only. Use the Service Log column to keep track of completed maintenance tasks. **To schedule service from Sears Parts & Repair, call 1-888-331-4569.**

Refer to the Engine Operator's Manual for engine maintenance items listed in the table below.

Interval	Item	Service	Service Log
Each use	<ol style="list-style-type: none"> <li>1. Engine intake screens and cooling fans *</li> <li>2. Exhaust manifold, muffler pipe and muffler shields *</li> <li>3. Check/Clean Hood/Dash Panel Louvers *</li> <li>4. Top and underside of deck, under and around spindle covers and belt area *</li> <li>5. Around fuses, wiring and wiring harnesses *</li> <li>6. Around transmission, axle and fans *</li> <li>7. Engine Oil</li> <li>8. Air Filter</li> </ol>	<ol style="list-style-type: none"> <li>1. Check/Clean</li> <li>2. Check/Clean</li> <li>3. Check/Clean</li> <li>4. Check/Clean</li> <li>5. Check/Clean</li> <li>6. Check/Clean</li> <li>7. Check (See engine manual)</li> <li>8. Clean (See engine manual)</li> </ol>	
After first 5 hours	<ol style="list-style-type: none"> <li>1. Engine Oil</li> </ol>	<ol style="list-style-type: none"> <li>1. Change (break-in period). See engine manual</li> </ol>	
Every 10 hours	<ol style="list-style-type: none"> <li>1. Battery terminals</li> <li>2. Lubrication points</li> <li>3. Blades</li> <li>4. Tires</li> <li>5. Front wheels</li> <li>6. Deck</li> </ol>	<ol style="list-style-type: none"> <li>1. Clean</li> <li>2. Grease</li> <li>3. Check/Sharpen/Replace as needed</li> <li>4. Check</li> <li>5. Lube</li> <li>6. Check/Clean</li> </ol>	
Every 25 hours	<ol style="list-style-type: none"> <li>1. Deck wheels</li> <li>2. Deck level/pitch</li> <li>3. Deck spindles</li> </ol>	<ol style="list-style-type: none"> <li>1. Inspect and lube</li> <li>2. Check</li> <li>3. Lube</li> </ol>	
Every 50 hours	<ol style="list-style-type: none"> <li>1. Belts and pulleys</li> <li>2. Engine Oil</li> <li>3. Oil Filter</li> <li>4. Air Filter</li> <li>5. Fuel Filter</li> </ol>	<ol style="list-style-type: none"> <li>1. Check for damage and wear</li> <li>2. Change (See engine manual)</li> <li>3. Replace (See engine manual)</li> <li>4. Clean or change (See engine manual)</li> <li>5. Replace (See engine manual)</li> </ol>	
Every 100 hours	<ol style="list-style-type: none"> <li>1. Hardware</li> <li>2. Spark plug condition/gap</li> </ol>	<ol style="list-style-type: none"> <li>1. Check</li> <li>2. Check (See engine manual)</li> </ol>	
Every season/Before storage	<ol style="list-style-type: none"> <li>1. Intake Screen</li> <li>2. Engine Cooling Fans</li> <li>3. Battery terminals</li> <li>4. Lubrication points</li> <li>5. Blades</li> <li>6. Tires</li> <li>7. Front wheels</li> <li>8. Deck</li> <li>9. Deck wheels</li> <li>10. Deck level/pitch</li> <li>11. Deck spindles</li> <li>12. Spark plug condition/gap</li> <li>13. Engine Oil</li> <li>14. Oil Filter</li> </ol>	<ol style="list-style-type: none"> <li>1. Check/Clean</li> <li>2. Check/Clean</li> <li>3. Clean</li> <li>4. Grease</li> <li>5. Check/Sharpen/Replace as needed</li> <li>6. Check</li> <li>7. Lube</li> <li>8. Check/Clean</li> <li>9. Inspect and lube</li> <li>10. Check</li> <li>11. Lube</li> <li>12. Check (See engine manual)</li> <li>13. Change (See engine manual)</li> <li>14. Replace (See engine manual)</li> </ol>	
Miscellaneous	<ol style="list-style-type: none"> <li>1. Valve lashing ^</li> </ol>	<ol style="list-style-type: none"> <li>2. Check and adjust ^</li> </ol>	

\*-- Perform more often in dry conditions and/or when mulching

^ -- Have this item performed by a Sears or other qualified service dealer

# SERVICE AND MAINTENANCE

## **⚠ WARNING**

Before performing any maintenance or repairs, disengage the PTO, move the drive control levers fully outward in the neutral position, engage the parking brake, stop the engine and remove the key to prevent unintended starting.

## Post-Operation Tractor Care

After each operation of the tractor, the following procedures should be implemented to extend the life of your tractor and ensure safe operating conditions.

## **⚠ DANGER**

Failure to follow these recommendations may result in serious injury to yourself or others and may cause damage to the tractor.

## Cleaning the Underside of the Deck

### Deck Wash System

Your tractor's deck is equipped with a water port on its surface as part of its deck wash system.

Use the deck wash system to rinse grass clippings from the deck's underside and prevent the buildup of corrosive chemicals. Complete the following steps AFTER EACH MOWING:

1. Attach the nozzle adapter to a standard garden hose connected to a water supply.

## **⚠ WARNING**

Make certain the tractor's discharge chute is directed AWAY from people, your house, garage, parked cars, etc.

2. Move the tractor to an area within reach of the hose where the dispersal of wet grass clippings is acceptable to you. Disengage the PTO, engage the parking brake and stop the engine.
3. Pull back the lock collar of the nozzle adapter and push the nozzle adapter onto one of the deck wash nozzles at either end of the tractor deck. Release the lock collar to lock the nozzle adapter on the deck wash nozzle. See Figure 22.

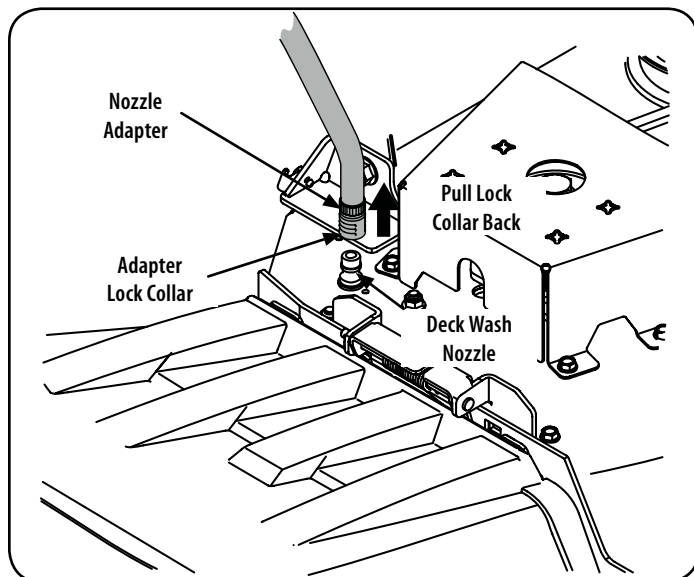


Figure 22

4. Turn on the water supply.
5. From the tractor operator's seat, start the engine and engage the PTO. Allow to run as needed. Disengage the PTO and stop the engine.
6. Turn off the water supply.

7. Pull back the lock collar of the nozzle adapter to disconnect the nozzle adapter from the deck wash nozzle.
8. Repeat the previous steps to clean the deck using the deck wash nozzle at the other end of the deck.

## Cleaning the Tractor

## **⚠ WARNING**

If the tractor has been recently run, the engine, muffler and surrounding metal surfaces will be hot and can cause burns to the skin. Let the engine cool for at least five minutes. Exercise caution to avoid burns.

Your tractor should be cleaned after each use and under certain conditions, i.e. dry conditions and/or mulching situations, additional cleaning may be necessary.

One of the best ways to keep your tractor running efficiently and to reduce fire risk is to regularly remove debris buildup from the tractor. Follow the recommendations below and contact your authorized dealer with any questions.

- Allow the machine to cool in an open area before cleaning.
- Do not use water on any part of the tractor except the underside of the cutting deck. Doing so can cause damage to the tractor's spindle bearings, electrical system and engine, leading to premature failures. The use of compressed air and/or leaf blower will help keep the tractor clean.
- Keep both sides of transmission cooling slots, exhaust manifold, around fuses, all wiring and harnesses, muffler pipe, muffler shield, engine intake screens and cooling fins, etc clear of grass clippings and leaves. See Figure 23.

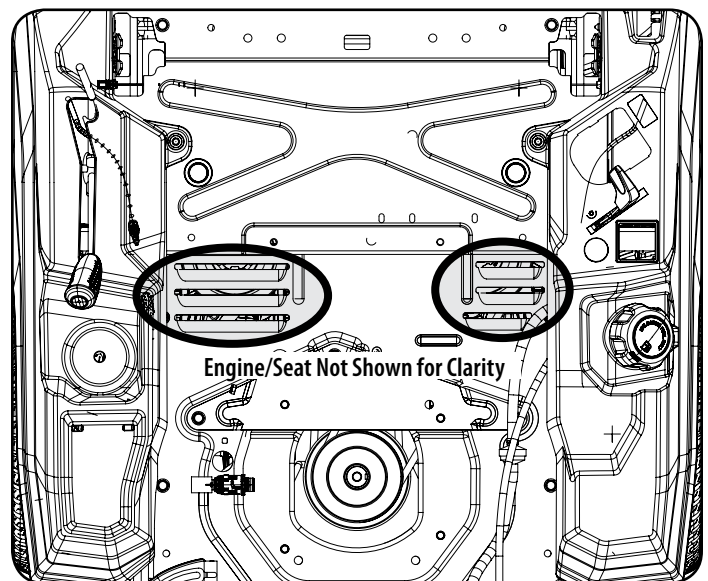


Figure 23

# SERVICE AND MAINTENANCE

- Clean the top of the mower deck, under the spindle covers and belt area. See Figure 24.

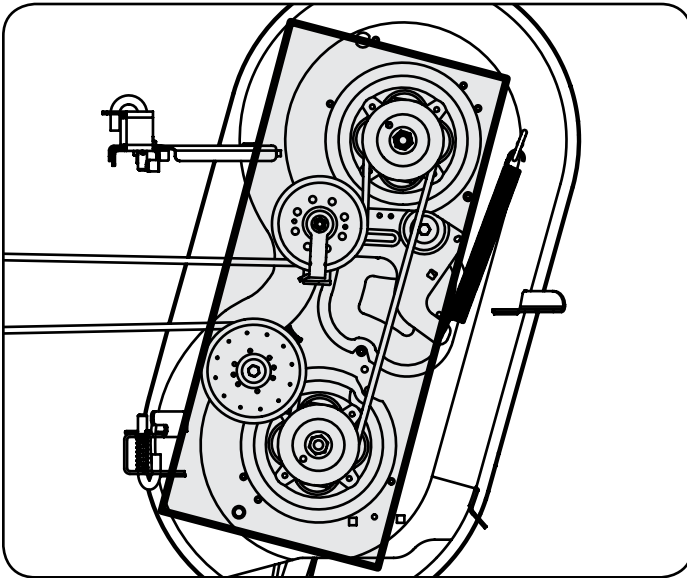


Figure 24

- Clean around and near the transmission, axle and the fan area. See Figure 25.

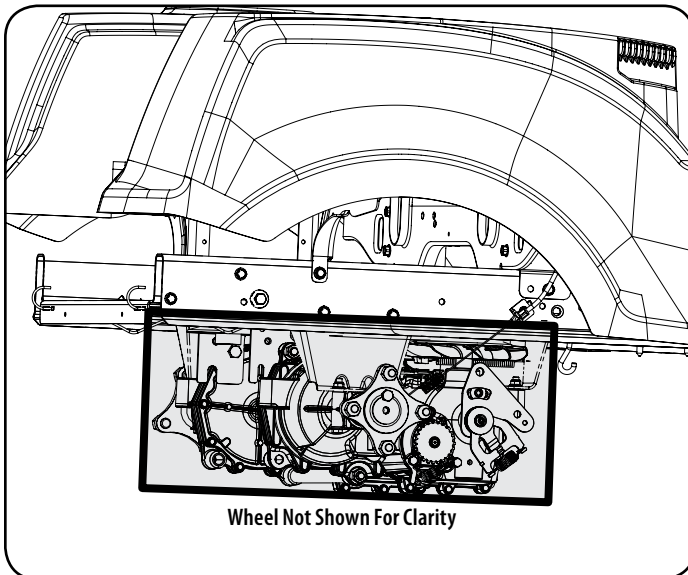


Figure 25

- Debris can accumulate anywhere on the tractor, especially on horizontal surfaces. Additional cleaning may be necessary when mowing in dry conditions or when mulching.
- Fuel leaks/spills, oil leaks/spills and excess lubrication can also become collections sites for debris. Immediate repair and cleaning up oil or fuel spills can help reduce fire hazards.
- In addition to cleaning the tractor before operating and storing, do not attempt to mow unusually tall grass (10" or higher), dry grass (e.g., pasture) or piles of dry leaves. Dry grass or leaves may contact the engine exhaust and/or build up on the mower deck presenting a potential fire hazard.

## Storing the Tractor

- Allow the machine to cool in an open area before storing.
- Do not park the tractor near any flammable materials (wood, cloth or chemicals) or any open flames or other potential source of ignition (furnace, water heater or any other type of heater).
- Remove all combustible materials from the tractor before storing. Empty cargo boxes, grass catchers or containers.
- Always shut off fuel flow when storing or transporting if tractor is equipped with a fuel shutoff.
- Check the fuel system (lines, tank, cap and fittings) frequently for cracks or leaks. Repair and clean as necessary.

## Engine Maintenance

Refer to the Engine Owner's Manual for all engine maintenance procedures and instructions.

## Changing the Engine Oil

### WARNING

If the engine has been recently run, the engine, muffler and surrounding metal surfaces will be hot and can cause burns to the skin. Exercise caution to avoid burns.

To complete an oil change, proceed as follows:

1. Run the engine for a short time to warm the engine oil. The oil will flow more freely and carry away more impurities. Use care to avoid burns from hot oil.
2. Locate the oil drain hose on the left side of the engine. See Figure 26.

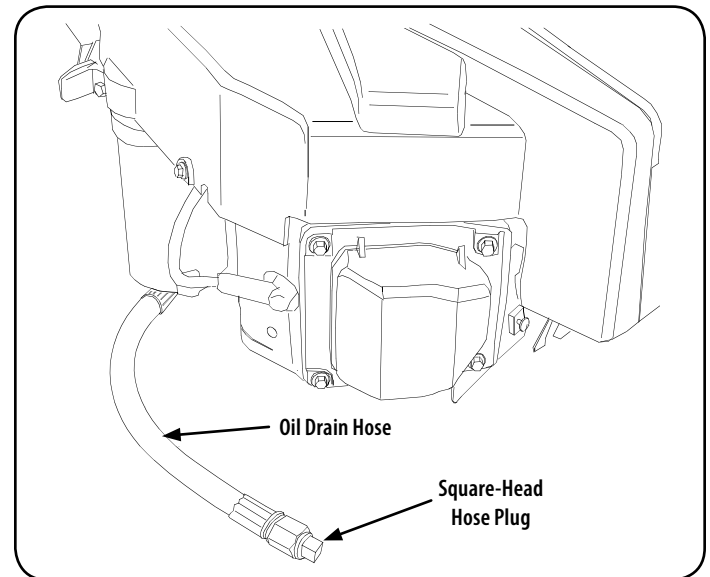


Figure 26

3. Route the free end of the oil drain hose toward an appropriate oil collection container with at least a 2.5 quart capacity, to collect the used oil. Remove the oil fill cap/dipstick from the oil fill tube.
4. While holding the free end of the oil drain hose over the oil collection container, unscrew the square head hose plug from the end of the hose. See Figure 26. Drain the engine oil into the collection container.
5. Route the free end of the oil drain hose toward an appropriate oil collection container with at least a 2.5 quart capacity, to collect the used oil.
6. Once the oil has finished draining, replace the square head hose plug and fill the engine as instructed in the engine owner's manual. See engine owner's manual included with this tractor for oil capacity.

# SERVICE AND MAINTENANCE

## Tire Maintenance

Check the tire air pressure after every 50 hours of operation or weekly. Keep the tires inflated to the recommended pressures. Improper inflation will shorten the tire service life. See the tire side wall for proper inflation pressures. Observe the following guidelines:

- Do not inflate a tire above the maximum pressure shown on the sidewall of the tire.
- Do not reinflate a tire that has been run flat or seriously under inflated. Have a qualified tire mechanic inspect and service the tire.

## Lubrication

- Using a pressure lubricating gun, lubricate the front castor wheel axles and the front pivot axle with No. 2 multipurpose lithium grease after every 10 hours of service.
- Periodically lubricate all other pivot points; i.e. the seat pivot bracket, idler pivot bracket on the deck, deck lift shaft assembly, etc. with a quality lubricating oil.

## Cleaning and Lubricating the Spindle Pulleys

Once a month remove the belt covers to remove any accumulation of grass clippings from around the spindle pulleys and V-belt. Clean more often when mowing tall, dry grass.

Every 25 hours, lubricate the deck spindles. Locate the spindle lube fitting and using a grease gun, lubricate the spindles. The spindle holds 2.3 ounces of grease. See Figure 27.

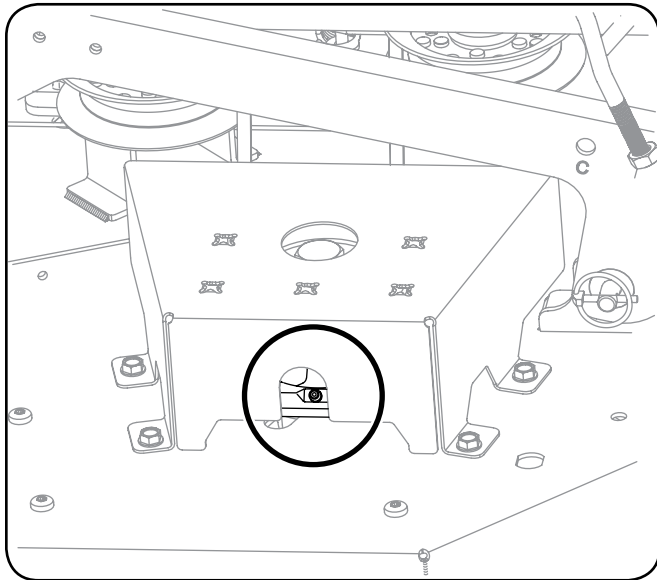


Figure 27

## General Battery Information

### ⚠ WARNING

Should battery acid accidentally splatter into the eyes or onto the skin, rinse the affected area immediately with clean cold water. If there is any further discomfort, seek prompt medical attention. If acid spills on clothing, first dilute it with clean water, then neutralize with a solution of ammonia/water or baking soda/water.

### ⚠ WARNING

NEVER connect (or disconnect) battery charger clips to the battery while the charger is turned on, as it can cause sparks. Keep all sources of ignition (cigarettes, matches, lighters) away from the battery. The gas generated during charging can be combustible. As a further precaution, only charge the battery in a well ventilated area. Always shield eyes and protect skin and clothing when working near batteries.

### ⚠ WARNING

Batteries contain sulfuric acid and may emit explosive gases. Use extreme caution when handling batteries. Keep batteries out of the reach of children.

## Battery Maintenance

The battery is filled with battery acid and then sealed at the factory. However, even a "maintenance free" battery requires some maintenance to ensure its proper life cycle.

- Spray the terminals and exposed wire with a battery terminal sealer, or coat the terminals with a thin coat of grease or petroleum jelly, to protect against corrosion.
- Always keep the battery cables and terminals clean and free of corrosion.
- Avoid tipping. Even a sealed battery will leak electrolyte when tipped.

## Battery Removal

### ⚠ WARNING

Battery posts, terminals and related accessories contain lead and lead compounds. Wash hands after handling.

The battery is located beneath the seat frame. To remove the battery:

# SERVICE AND MAINTENANCE

1. Remove the hex washer screw securing the battery hold-down bracket to the frame. Then flip the battery hold-down bracket up to free the battery. See Figure 28.

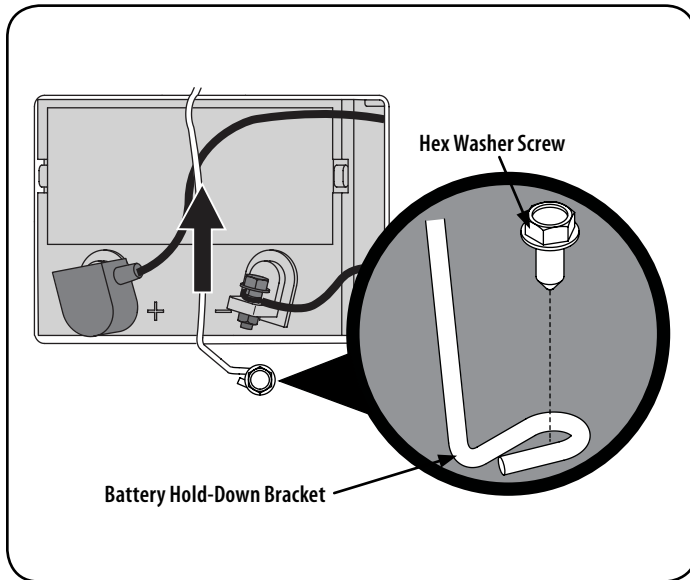


Figure 28

2. Remove the hex cap screw and sems nut securing the black negative battery lead to the negative battery post (marked NEG). Move the cable away from the negative battery post.
3. Remove the hex cap screw and sems nut securing the red positive battery lead to the positive battery post (marked POS).
4. Carefully lift the battery out of the tractor.
5. Install the battery by repeating the above steps in the reverse order.

## ⚠ WARNING

Always connect the positive lead to the battery before connecting the negative lead. This will prevent sparking or possible injury from an electrical short caused by contacting the riding mower body with tools being used to connect the cables.

## Charging the Battery

1. Test and, if necessary, recharge the battery after the riding mower has been stored for a period of time.
2. A voltmeter or load tester should read 12.6 volts (DC) or higher across the battery terminals. See Figure 29.

Voltmeter Reading	State of Charge	Charging Time
12.7	100%	Full Charge
12.4	75%	90 Min.
12.2	50%	180 Min.
12.0	25%	280 Min.

Figure 29

3. Charge the battery with a 12-volt battery charger at a MAXIMUM rate of 10 amps.

## Servicing Electrical System

A fuse is installed to protect the riding mower's electrical system from damage caused by excessive amperage. Always use the same capacity fuse for replacement. If the electrical system does not function, check for a blown fuse.

If you have a recurring problem with blown fuses, call 1-888-331-4569 to schedule electrical system service from Sears Parts & Repair.

## Relays and Switches

There are several safety switches in the electrical system. If a function of the safety interlock system described earlier is not functioning properly, call 1-888-331-4569 to have the electrical system checked by Sears Parts & Repair.

## Hydrostatic Transmission

Your zero turn tractor is equipped with dual integrated hydrostatic pumps/transaxles that are sealed and are maintenance-free. However, this model is equipped with a transmission oil expansion reservoir. Under normal operating conditions, the oil level in the expansion reservoir does not need to be checked and no additional oil is needed. If checking the reservoir oil level, proceed as follows:

## ⚠ WARNING

Check the oil level **ONLY** before starting the tractor when the transmission oil is fully cooled.

1. Pivot the operator's seat forward and clean the reservoir cap and the area around the cap to prevent debris from contaminating the transmission oil. See Figure 30.

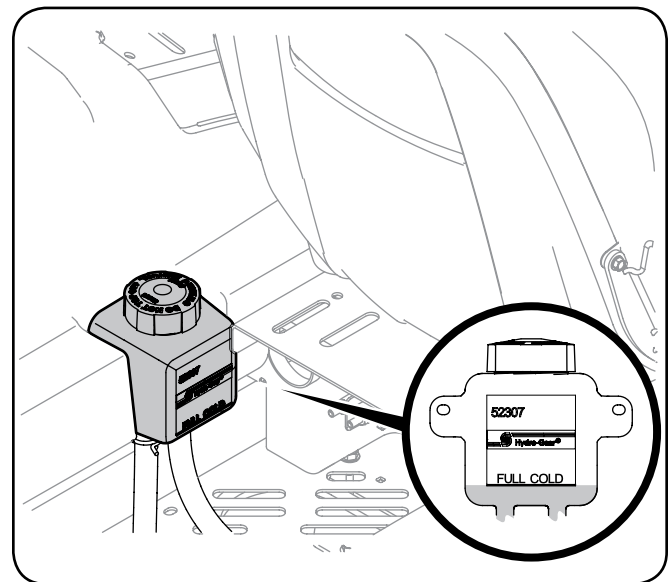


Figure 30

2. Turn the reservoir cap counterclockwise to re-move, then check the oil level in the reservoir. Oil should be visible at the bottom of the cup, but the oil level must NOT be above the "FULL COLD" line. See Figure 30. DO NOT FILL THE RESERVOIR.
3. If necessary to add oil because of some type of leakage, use a quality 20W50 motor oil and add only enough oil to bring the level to the "FULL COLD" line. Reinstall the cap and fully tighten.

**NOTE:** Prior to the initial operation of the tractor, the oil level in the reservoir may be slightly higher than the maximum due to air in the oil lines. Operation of the tractor will eventually purge the air from the lines and the oil level will settle to the maximum.

# SERVICE AND MAINTENANCE

## Adjustments

### ⚠ CAUTION

Shut the engine off, remove the ignition key and engage the parking brake before making adjustments. Protect your hands by using heavy gloves when handling the blades.

### Adjusting RH & LH Drive Control Levers

The RH and LH drive control levers can be adjusted up or down and forward or backward for the comfort of the operator. The drive control levers can be placed in either of two height positions, and/or can be moved forward or rearward within the range of the slot in each lower arm.

To adjust the drive control lever height, proceed as follows:

1. Remove the upper hex screw and flat washer securing the lever to the pivot bracket.
2. While supporting the control lever to keep it from falling, remove the hex screw and flat washer from the bottom of the control lever and lower arm. Refer to Figure 31.

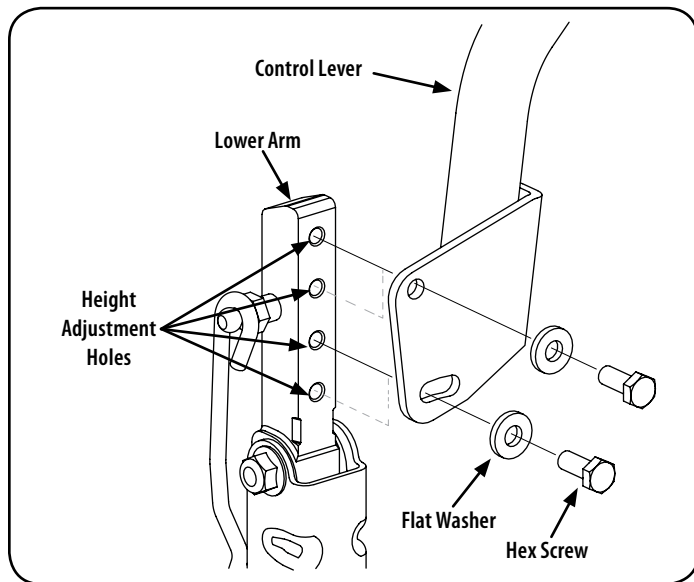


Figure 31

3. Reposition the control lever to align with the other set of holes in the lower arm and insert the hex screw through the flat washer and into the lower arm. Tighten the hex screw until snug.
4. Insert the hex screw through the flat washer and through the control lever slot and the lower arm. Do not tighten now.
5. If you are going to adjust the control levers forward or rearward, proceed to the next step. If not, fully tighten the hex screw.

To adjust the drive control levers forward/rearward, proceed as follows:

1. If not already loose, loosen the hex screw and rotate the control lever either forward or rearward to the desired position. See Figure 31.

**NOTE:** If the control lever is too tight to move, slightly loosen the hex screw at the bottom of the control lever.

2. Tighten the hex screw to fix the control lever in the adjusted position
3. Repeat the above procedure to adjust the other control lever into the same position. Adjust so that both levers are even with each other when in the neutral position.

## Deck Leveling

**NOTE:** Check the tractor's tire pressure before performing any deck leveling adjustments. Refer to Tires for information regarding tire pressure.

### ⚠ WARNING

Shut the engine off, remove the ignition key and engage the parking brake before making adjustments. Protect your hands by using heavy gloves when handling the blades.

### Leveling the Deck (Side-to-Side)

**NOTE:** Check the tractor's tire pressure before performing any deck leveling adjustments. Refer to Tires for information regarding tire pressure. Always level the deck side-to-side before front to rear.

If the cutting deck appears to be mowing unevenly, a side-to-side adjustment can be performed. Adjust if necessary as follows:

1. With the tractor parked on a firm, level surface, place the deck lift handle in a middle mowing position and rotate both outside blades so that they are perpendicular with the tractor.
2. Measure the distance from the outside of the left blade tip to the ground and the distance from the outside of the right blade tip to the ground. Both measurements taken should be equal. If they're not, proceed to the next step.
3. Loosen the lower jam nut on the adjustable lift link attached to the deck lift arm to lower the deck and tighten the upper jam nut to secure the deck in place, loosen the upper jam nut then tighten the lower jam nut to secure the deck in place. See Figure 32.

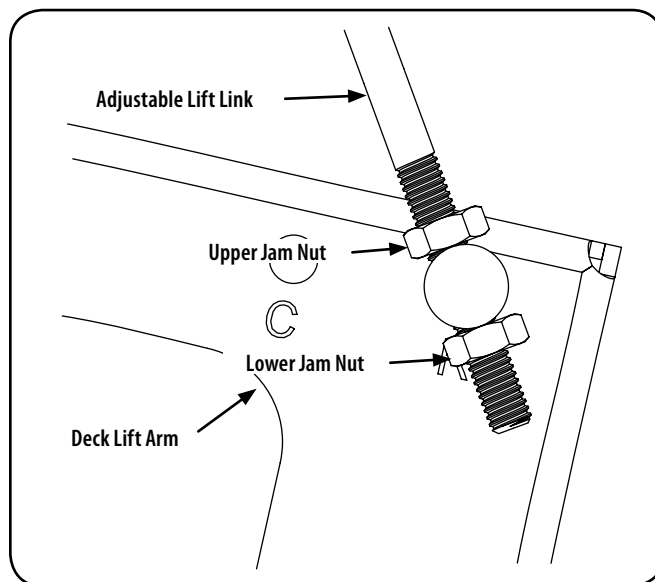


Figure 32

4. The deck is properly leveled when both blade tip measurements are equal.

### Leveling the Deck (Front-To-Rear)

**NOTE:** Check the tractor's tire pressure before performing any deck leveling adjustments. Refer to Tires for information regarding tire pressure. Always level the deck side-to-side before front to rear.

The front of the deck should be between  $\frac{1}{4}$  -  $\frac{3}{8}$ " lower than the rear of the deck. Adjust if necessary as follows:

1. Park the tractor on a firm, level surface and place the deck lift handle in a middle position.
2. Rotate the blade nearest the discharge chute so that it is parallel with the tractor.



## SERVICE AND MAINTENANCE

3. Measure the distance from the front of the blade tip to the ground and the rear of the blade tip to the ground. The first measurement taken should be between  $\frac{1}{4}$ " and  $\frac{3}{8}$ " less than the second measurement.
4. Determine the approximate distance necessary for proper adjustment and proceed, if necessary.
5. Using a wrench, raise or lower the front of deck by turning lock nut on the front deck lift rod and secure with the rear jam nuts. See Figure 33.

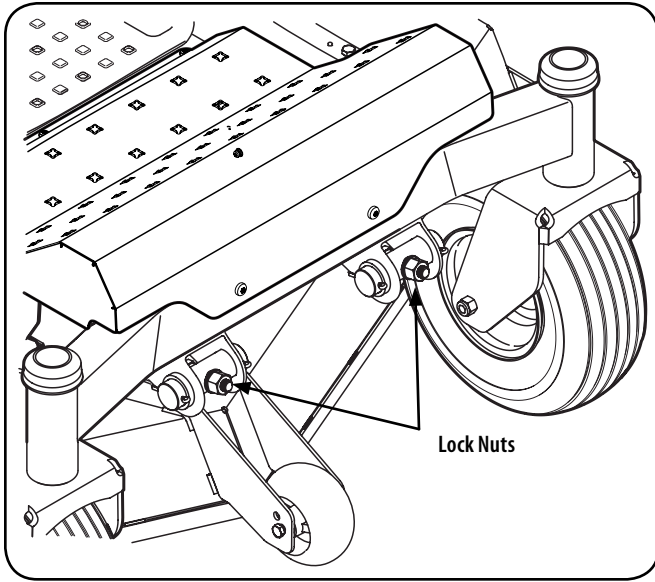


Figure 33

6. The deck is properly leveled when the front tip of the blade is  $\frac{1}{4}$ " lower than the rear tip. Retighten the hex bolt on the left rear deck hanger links when proper adjustment is achieved.

### Adjusting the Front Gauge Wheels

#### **WARNING**

**Keep hands and feet away from the discharge opening of the cutting deck.**

The front gauge wheels on the mower deck are an anti-scalp feature, and should not ride on the ground. The front gauge wheels should be approximately  $\frac{1}{4}$ - $\frac{1}{2}$ " above the ground when the deck is set in the desired height setting.

Using the deck lift handle, set the deck in the desired height setting, then check the gauge wheel distance from the ground below. If necessary adjust the front gauge wheels as follows:

1. Visually check the distance between the front gauge wheels and the ground. If the gauge wheels are near or touching the ground, they should be raised. If more than  $\frac{1}{2}$ " above the ground, they should be lowered.

2. Remove the lock nut securing one of the front gauge wheel hex screws to the deck. Remove the gauge wheel, hex screw and spacer. See Figure 34.

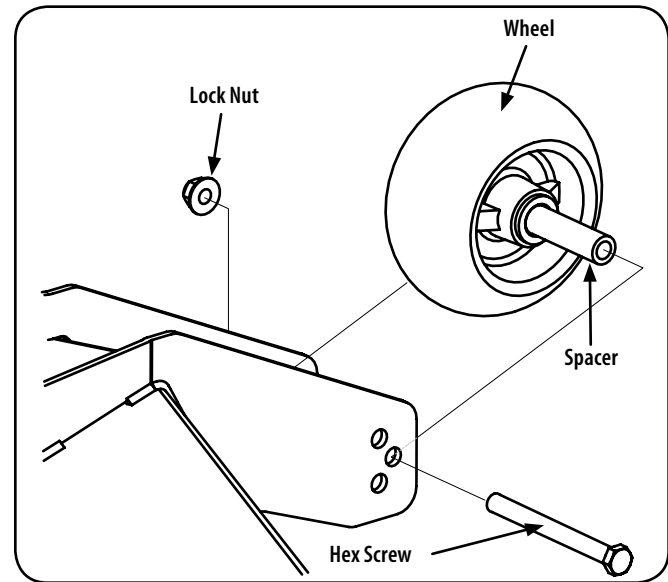


Figure 34

3. Insert the hex screw into the one of three index holes in the front gauge wheel bracket that will give the gauge wheel a  $\frac{1}{4}$ - $\frac{1}{2}$ " clearance with the ground.
4. Note the index hole of the just adjusted wheel, and adjust the other front gauge wheel into the respective index hole of the other front gauge wheel bracket.

### Drive Control Lever Stop Adjustment

When the drive control levers are both fully extended forward to the full-speed position and the tractor drifts left or right, the drive control lever stop adjustment can be adjusted to sync the wheel speeds. To perform the adjustment, proceed as follows:

1. Identify the side that the tractor is drifting to and adjust the opposite drive control lever. If the tractor drifts right, adjust the left control lever down (decrease speed) and vice versa.

# SERVICE AND MAINTENANCE

2. Locate the drive control lever stop adjustment bolts on the front of the seat frame. See Figure 35.

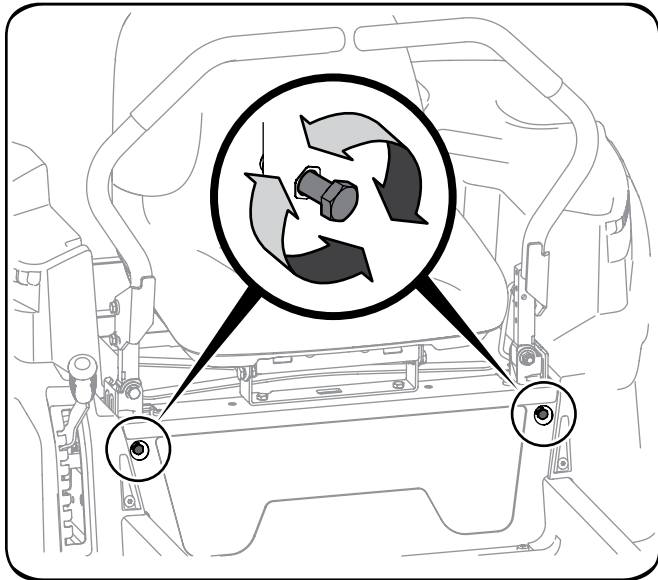


Figure 35

3. To decrease the forward speed, turn the bolt clockwise. To increase the forward speed, turn the bolt counter-clockwise. Turn the bolt in the necessary direction ¼-turn at a time. After turning the bolt, check the adjustment by driving the tractor.
4. Continue the adjustment until the wheel speeds are in sync and the tractor drives straight with the drive control levers fully extended forward in the full-speed position.

## Deck Removal

Remove the mower deck from the tractor as follows:

1. Move the tractor to a level surface, disengage the PTO, stop the engine, and set the parking brake.
2. Move the deck gauge wheels to their highest setting (lowest deck setting).
3. Remove the 'V' belt from the PTO pulley, located on the bottom of the engine, using one of the following two methods.

### WARNING

The muffler at the rear of the tractor may be extremely hot, and could cause serious burns. Use extreme caution when near the muffler. Allow the muffler to fully cool before removing the belt from the PTO pulley.

4. Releasing Belt Tension with the Idler Pulley

- a. Using the deck lift handle, raise the deck to the position that provides the most horizontal run of the belt between the deck idler pulleys and the PTO pulley on the bottom of the engine. See Figure 36.

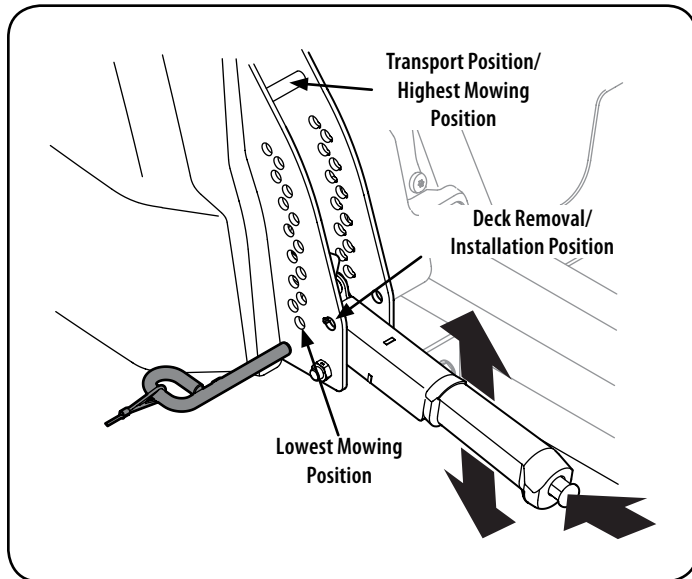


Figure 36

- b. Working from the middle of the tractor, pivot the idler bracket and movable idler pulley rearward away from the backside of the 'V' belt (a) just far enough to lift the belt up and over the idler pulley (b). See Figure 37.

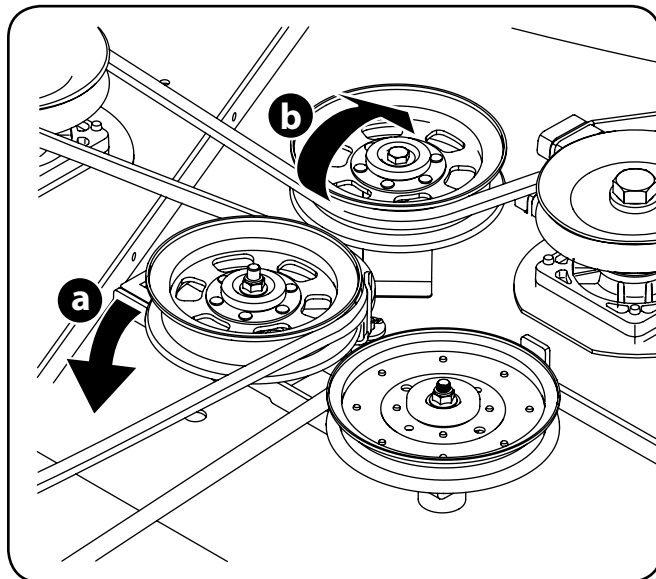



Figure 37

- c. From beneath the rear of the tractor, slide the belt off of the PTO pulley on the bottom of the engine.
- d. Lower the deck into the deck removal/installation position  using the deck lift handle. See Figure 36.
- e. Skip ahead to step 6.



# SERVICE AND MAINTENANCE

5. Rolling the Belt off the PTO Pulley
  - a. Using the deck lift handle, raise the deck to the position that provides the most horizontal run of the belt between the deck idler pulleys and the PTO pulley on the bottom of the engine.
  - b. Sitting behind the tractor facing forward, reach beneath the tractor to grasp the belt at the front of the PTO pulley.

## WARNING

Use caution to avoid pinching your fingers when rolling the belt off the PTO pulley.

- c. Pull the left side of the belt rearward and downward while manually turning the PTO pulley to the right until the belt rides out onto the edge of the lower sheave of the pulley.

**NOTE:** If pulling the right side of the belt, turn the pulley left.

- d. While still holding the belt downward, continue turning the PTO pulley until the belt is rolled off the pulley. Refer to Figure 38.

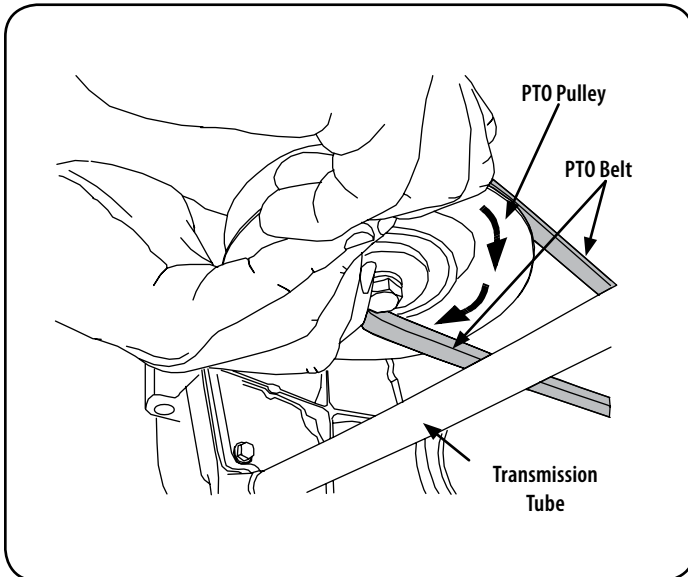


Figure 38

6. Locate the LH and RH deck release pins on each side of the deck. Pull the release pins outward and release the deck from the LH and RH deck lift arms. See Figure 39.

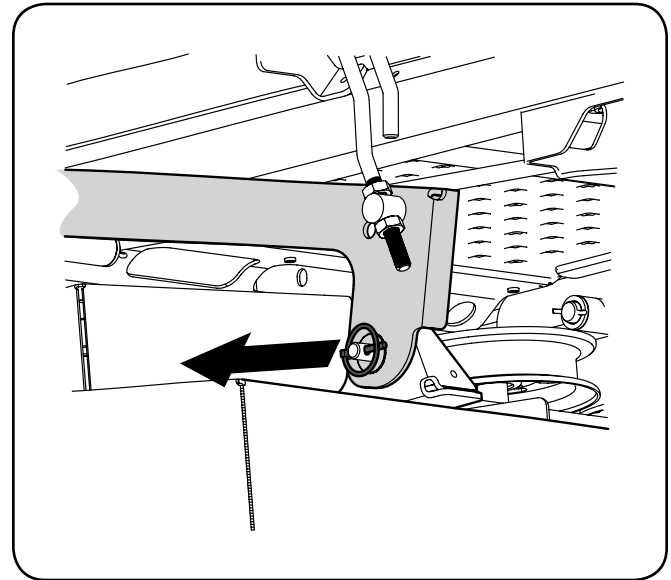


Figure 39


## CAUTION

There is a certain amount of spring tension due to the weight of the deck. When removing the lift linkage from the deck the tension of the springs will go from the deck to the deck lift handle and snap back.

7. Slide the front deck lift rod off the hanger brackets on the front of the deck
8. Place the deck lift handle into the highest mowing position and slide the deck out from the right side of the tractor.

## Deck Installation

Install the deck on the tractor as follows:

1. Place the deck lift handle in the highest mowing position See Figure 36.
2. Slide the deck under the tractor on the right side of the tractor lining up the deck hanger brackets and the deck lift arms.
3. Once the deck is under the tractor, move the deck lift handle to the deck removal/installation position .

**NOTE:** To line the brackets up properly, it may be necessary to place a small block of wood under each side of the deck.

4. Hook the front deck lift rod onto the hanger brackets on the front of the deck.
5. Pull the deck release pins outward and maneuver the deck as necessary to align the holes in the deck lift arms with the pins. Refer to Figure 39.
6. When aligned, push each pin fully inward through the lift arms to secure the arms in the rear hanger bracket slots.
7. Make certain the 'V' belt is in the spindle pulleys on the deck; then route the belt rearward beneath the tractor frame, above the transmission tube(s), to the PTO pulley on the bottom of the engine.
8. Using the deck lift handle, raise the deck to the position that provides the most horizontal run of the belt between the deck idler pulleys and the PTO pulley on the bottom of the engine.

# SERVICE AND MAINTENANCE

9. Make certain the belt is in the spindle pulleys of the deck, and that the backside of the belt is against both the fixed and movable idler pulleys.
10. Sitting behind the tractor, facing forward, make certain the belt is not twisted; then reach beneath the tractor to grasp the belt and pull it toward the PTO pulley.

## ⚠ WARNING

Use caution to avoid pinching your fingers when rolling the belt onto the PTO pulley.

11. Pull the right side of the belt rearward and place the narrow V side of the belt into the PTO pulley. See Figure 38.
12. While holding the belt and pulley together, rotate the pulley to the left (See Figure 38). Continue holding and rotating the pulley and belt until the belt is fully rolled into the PTO pulley.

**NOTE:** Before using the tractor double-check the belt routing to make sure that the belt has been routed properly.

## Replacing the Belt

1. Remove the deck from beneath the tractor, (refer to Deck Removal).
2. Remove the hex washer screws securing the belt covers to the deck. See Figure 40.

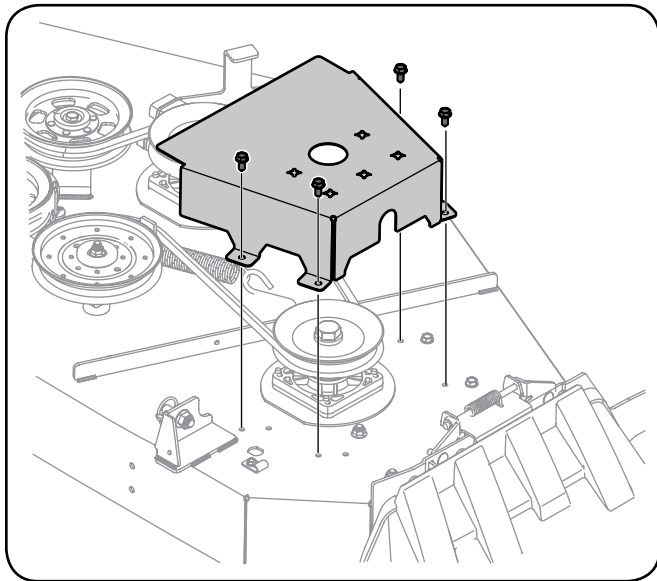


Figure 40

3. Remove the two idler pulleys by removing the hex screws, washers and flange lock nuts that secure them to the deck and the idler arm. See Figure 41. Do not lose any of the hardware when removing the hex screw and flange lock nut.

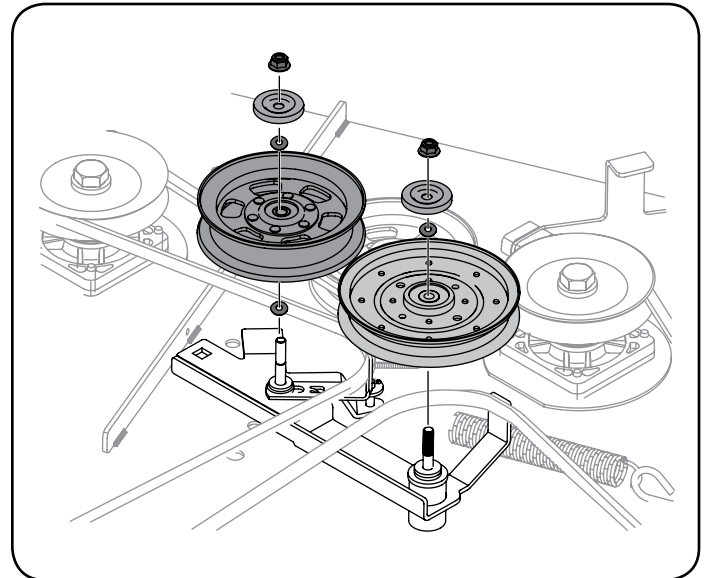


Figure 41

**NOTE:** Take note of the position of the belt guards to ensure they are properly re-installed.

4. Remove the belt from the spindle pulleys.
5. Install the new belt around the spindle pulleys as shown and reinstall the belt covers. See Figure 40.
6. Place the belt around the idler pulleys removed in step 3 with the "V" side facing in. Once in place, reinstall all the hardware and tighten the flange lock nut to secure the assembly. See Figure 42.

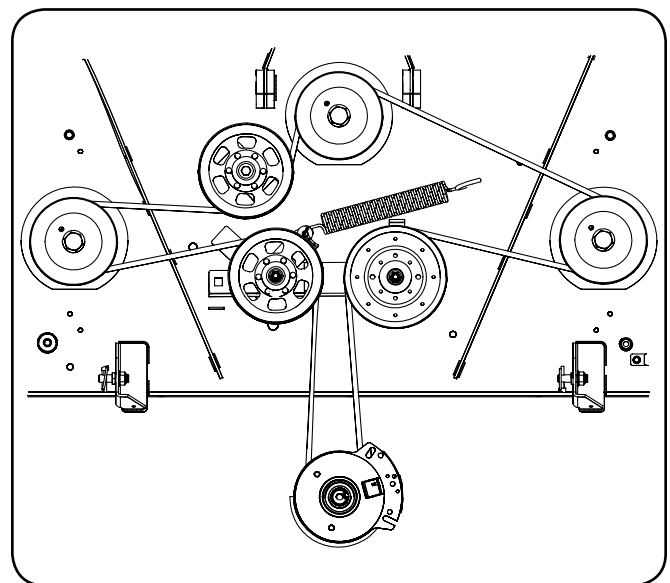


Figure 42

7. Route the belt as shown in Figure 42 and then reinstall the deck (refer to Deck Installation).

# SERVICE AND MAINTENANCE

## Mower Blade Care

### WARNING

Before performing any maintenance, place the PTO switch in the "OFF" position, engage the parking brake lever, turn the ignition key to the "OFF" position and remove the key from the switch. Protect your hands by using heavy gloves when handling the blades. When servicing the mower deck, be careful not to cut yourself on the sharpened blades.

The cutting blades must be kept sharp at all times. Sharpen the cutting edges of the blades evenly so that the blades remain balanced and the same angle of sharpness is maintained.

If the cutting edge of a blade has already been sharpened many times, or if any metal separation is present, it is recommended that new blades be installed. New blades may be obtained through Sears Parts & Repair or by calling 1-888-331-4569.

The blades may be removed as follows.

1. Remove the deck from beneath the riding mower, (refer to Deck Removal) then gently flip the deck over to expose its underside.
2. Use a 1-1/8" wrench to hold the hex nut on top of the spindle assembly when loosening the hex nut securing the blade. A block of wood may be placed between the deck housing and the cutting edge of the blade to help in breaking loose the hex nut securing the blade. See Figure 43.

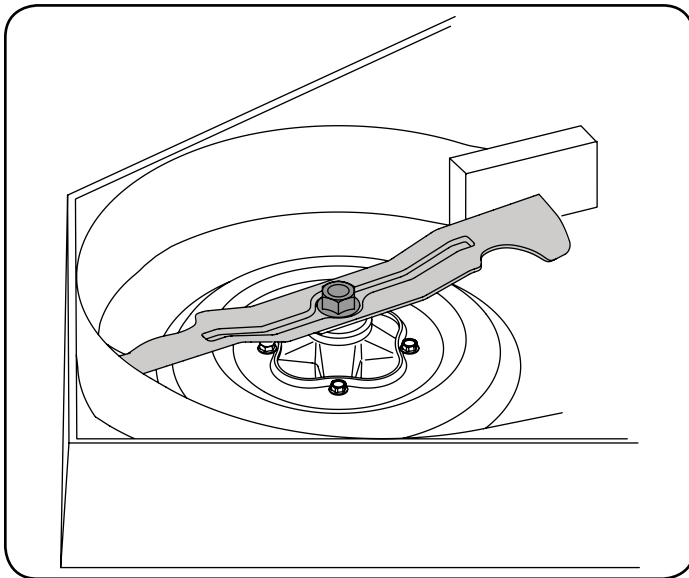


Figure 43

3. When reinstalling the blades, be sure they are installed so that the wind wings are pointing upward toward the top of deck.
4. Use a torque wrench to tighten the blade nuts to 70-90 ft-lbs.
5. Reinstall the deck (refer to Deck Installation).

## Transmission Drive Belt

Several components must be removed and special tools used in order to change the riding mower's transmission drive belt. See your Sears Service Center or to schedule service, simply contact Sears at 1-888-331-4569.

## Tractor Creeping

Creeping is the slight forward or backward movement of the mower when the throttle is on and the speed control levers are in the neutral position. If your mower creeps, see an authorized service dealer.

# OFF-SEASON STORAGE

## WARNING

Never store garden riding mower with fuel in tank indoors or in poorly ventilated areas where fuel fumes may reach an open flame, spark, or pilot light as on a furnace, water heater, clothes dryer, or gas appliance.

## Riding Mower Storage

If your riding mower is not going to be operated for an extended period of time (thirty days to approximately six months), the riding mower should be prepared for storage. Store the riding mower in a dry and protected location. If stored outside, cover the riding mower (including the tires) to protect it from the elements. The procedures outlined below should be performed whenever the riding mower is placed in storage.

1. Change the engine oil and filter following the instructions provided in the Service and Maintenance section of this manual.

## WARNING

Never store the riding mower with fuel in the tank indoors or in poorly ventilated enclosures, where fuel fumes may reach an open flame, spark or pilot light as on a furnace, water heater, clothes dryer, etc.

2. If storing the riding mower for 30 days or more:
  - a. To prevent gum deposits from forming inside the engine's carburetor and causing possible malfunction of the engine, the fuel system must be either completely emptied, or the gasoline must be treated with a stabilizer to prevent deterioration.

## WARNING

Fuel left in the fuel tank deteriorates and will cause serious starting problems.

- b. Using a fuel stabilizer:
    - Read the product manufacturer's instructions and recommendations.
    - Add to clean, fresh gasoline the correct amount of stabilizer for the capacity (approximately 3 gallons) of the fuel system.
    - Fill the fuel tank with treated fuel and run the engine for 2-3 minutes to get stabilized fuel into the carburetor.
  - c. Emptying the fuel system:
    - Prior to putting the riding mower in storage, monitor fuel consumption with the goal of running the fuel tank empty.
    - Start the engine and allow it to run out of fuel. This will prevent gum and varnish deposits from forming.
3. Remove the spark plugs and pour approximately one ounce of oil into each cylinder. Crank the engine one or two turns to spread the oil evenly on the cylinder walls. Replace the spark plugs.
  4. Clean the engine and the entire riding mower thoroughly.

**NOTE:** Use of a pressure washer or garden hose is not recommended to clean your riding mower. They may cause damage to electrical components, spindles, pulleys, bearings or the engine. The use of water will result in shortened life and reduce serviceability.

5. Sharpen the blades so that the mower will be ready to use when needed.
6. Protect the metal surfaces. Repair scratches with the appropriate touch-up spray paint. Brush a rust preventive oil on any unpainted surfaces including the pulleys and blades. (Be careful not to get any oil on the drive belts.)
7. Clean and fully charge the battery, then disconnect the negative cable at the battery to prevent possible discharge. Recharge the battery periodically when in storage.

**NOTE:** Remove the battery if exposed to prolonged periods of sub-freezing temperatures. Store in a cool, dry location where temperatures are above freezing.
8. Lubricate all lubrication points.
9. Jack the mower up and store it on blocks to take the weight off of the tires.

## Removing the Riding Mower from Storage

1. Check the engine oil.
2. Fully charge the battery, lower riding mower off blocks, and inflate the tires to the recommended pressure.
3. Remove the spark plugs and wipe them off. Using the starter, crank the engine to pump the excess oil out of the spark plug holes. Replace the spark plugs and the ignition leads.
4. If drained before storing, fill the fuel tank with clean, fresh gasoline.
5. Check the level of the engine oil in the crankcase and the hydraulic reservoir tank.
6. Start the engine and allow to idle for a few minutes to ensure engine is operating properly.
7. Drive the riding mower without a load to make certain all the riding mower systems are functioning properly.

# TROUBLESHOOTING

## WARNING

Before performing any type of maintenance/service, disengage all controls and stop the engine. Wait until all moving parts have come to a complete stop. Disconnect spark plug wire and ground it against the engine to prevent unintended starting. Always wear safety glasses during operation or while performing any adjustments or repairs.

This section addresses minor service issues. To locate the nearest Sears Service Center or to schedule service, simply contact Sears at 1-888-331-4569.

Problem	Cause	Remedy
Engine Fails to start	<ol style="list-style-type: none"> <li>1. PTO/Blade Engage knob engaged.</li> <li>2. Parking brake not engaged.</li> <li>3. Spark plug wire disconnected.</li> <li>4. Throttle control lever not in correct starting position.</li> <li>5. Fuel tank empty, or stale fuel.</li> <li>6. Blocked fuel line or fuel filter.</li> <li>7. Faulty spark plug.</li> <li>8. Engine flooded.</li> <li>9. Fuse(s) blown.</li> </ol>	<ol style="list-style-type: none"> <li>1. Place knob in disengaged (OFF) position.</li> <li>2. Engage parking brake.</li> <li>3. Connect wire to spark plug.</li> <li>4. Place Throttle lever to FAST position.</li> <li>5. Fill tank with clean, fresh (less than 30 days old) gas.</li> <li>6. Replace fuel line. See a Sears or other qualified service dealer. Replace fuel filter. See the Service and Maintenance section.</li> <li>7. Clean, adjust gap or replace plug.</li> <li>8. Crank engine with throttle in FAST position.</li> <li>9. Replace fuse.</li> </ol>
Engine runs erratically	<ol style="list-style-type: none"> <li>1. Riding mower running with Choke activated.</li> <li>2. Spark plug wire loose.</li> <li>3. Blocked fuel line or stale fuel.</li> <li>4. Vent in gas cap plugged.</li> <li>5. Water or dirt in fuel system.</li> <li>6. Dirty air cleaner.</li> </ol>	<ol style="list-style-type: none"> <li>1. Check that the electric choke is working. See a Sears or other qualified service dealer.</li> <li>2. Connect and tighten spark plug wire.</li> <li>3. Replace fuel line. See a Sears or other qualified service dealer. Fill tank with clean, fresh gasoline and replace fuel filter. See the Service and Maintenance section.</li> <li>4. Clear vent or replace cap if damaged.</li> <li>5. Drain fuel tank. Refill with clean, fresh gasoline. See the Service and Maintenance section.</li> <li>6. Clean or replace air cleaner paper element or clean foam pre-cleaner.</li> </ol>

# TROUBLESHOOTING

Problem	Cause	Remedy
Engine overheats	<ol style="list-style-type: none"> <li>1. Engine oil level low</li> <li>2. Air flow restricted</li> </ol>	<ol style="list-style-type: none"> <li>1. Fill engine with proper amount and type of oil.</li> <li>2. Clean grass clippings and debris from around the engine's cooling fins and blower housing.</li> </ol>
Engine hesitates at high RPMs	<ol style="list-style-type: none"> <li>1. Spark plug gap set too close</li> </ol>	<ol style="list-style-type: none"> <li>1. Remove spark plug and adjust gap.</li> </ol>
Engine idles poorly	<ol style="list-style-type: none"> <li>1. Fouled spark plug</li> <li>2. Dirty air cleaner</li> </ol>	<ol style="list-style-type: none"> <li>1. Replace spark plug and adjust gap.</li> <li>2. Clean or replace air cleaner element and/or clean pre-cleaner.</li> </ol>
Excessive vibration	<ol style="list-style-type: none"> <li>1. Cutting blades loose or unbalanced</li> <li>2. Damaged, dull, or bent cutting blade</li> </ol>	<ol style="list-style-type: none"> <li>1. Tighten blade and spindle. Balance blade.</li> <li>2. Replace blade.</li> </ol>
Uneven cut	<ol style="list-style-type: none"> <li>1. Deck not leveled properly.</li> <li>2. Dull blade.</li> <li>3. Uneven tire pressure.</li> </ol>	<ol style="list-style-type: none"> <li>1. Perform side-to-side deck adjustment.</li> <li>2. Sharpen or replace blade.</li> <li>3. Check tire pressure in all four tires.</li> </ol>

# Manual del Operador



## PRO SERIES

### PRO L SERIE

### TRACTOR CON RADIO DE GIRO CERO

AVEC INTELLIGENT TECHNOLOGIE CORTACÉSPED

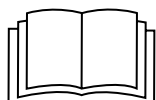


Modelo N.º 247.20420\*, 247.20422\* & 247.20424\*

\*-- Último dígito del número de modelo varía

Instrucciones de seguridad.....	36	Servicio y Mantenimiento .....	55
Guía para la operación en pendientes .....	40	Almacenamiento Fuera De Temporada .....	66
Montaje .....	41	Solución de Problemas .....	67
Activación de inteligente Césped .....	44	Warranty/Service .....	See Separate Supplement
Funcionamiento .....	45		

**NOTA:** Este manual de operación cubre distintos modelos. Las características del tractor pueden variar según los modelos. No todas las características en este manual se aplican a todos los modelos de tractor y la máquina que se ilustra aquí puede diferir de la suya.



Este producto tiene un motor de bajas emisiones , que funciona de forma diferente de los motores previamente construidas . Antes de arrancar el motor, lea y comprenda el Craftsman manual del operador y el manual del operador del motor .

#### **⚠ PRECAUCIÓN:**

Antes de usar este producto, lea este manual y siga todas las reglas de seguridad e instrucciones de funcionamiento.

Para obtener respuestas a sus preguntas acerca de este producto, llame al:

**1-888-331-4569**

Atención al Cliente Línea Caliente

Sears Brands Management Corporation, Hoffman Estates, IL 60179 U.S.A.

Utilizado bajo licencia

Visite nuestro sitio web: [www.craftsman.com](http://www.craftsman.com)

# INSTRUCCIONES DE SEGURIDAD

## ADVERTENCIA

La presencia de este símbolo indica que se trata de instrucciones de seguridad importantes que debe respetar para evitar poner en riesgo su seguridad personal y/o material y la de los demás. Lea y cumpla todas las instrucciones de este manual antes de intentar operar esta máquina. Si no respeta estas instrucciones puede provocar lesiones personales. Cuando vea este símbolo, ¡TENGA EN CUENTA LA ADVERTENCIA!

## PELIGRO

Esta máquina está diseñada para ser utilizada respetando las normas de seguridad contenidas en este manual. Al igual que con cualquier tipo de equipo motorizado, un descuido o error por parte del operador puede producir lesiones graves. Esta máquina es capaz de amputar dedos, manos y pies y de arrojar residuos. De no respetar las instrucciones de seguridad siguientes se pueden ocasionar lesiones graves o la muerte.

## ADVERTENCIA

### PROPOSICIÓN 65 DE CALIFORNIA

El escape del motor, algunos de los elementos del mismo y algunos componentes del vehículo contienen o liberan sustancias químicas que según el Estado de California pueden producir cáncer, defectos de nacimiento u otros problemas reproductivos.

Los bornes, los terminales y los accesorios relacionados de la batería contienen plomo y compuestos de plomo, sustancias químicas que según lo establecido por el Estado de California causan cáncer y daños en el sistema reproductivo. Lávese las manos después de estar en contacto con estos componentes.

## ADVERTENCIA

**Su responsabilidad**—Limite el uso de esta máquina motorizada a las personas que lean, comprendan y cumplan las advertencias e instrucciones que aparecen en este manual y en la máquina.

**¡GUARDE ESTAS INSTRUCCIONES!**

## FUNCIONAMIENTO GENERAL

- Lea, entienda y cumpla todas las instrucciones incluidas en la máquina y en el(los) manual(es) antes de intentar realizar el montaje de la unidad y utilizarla. Guarde este manual en un lugar seguro para consultas futuras y periódicas, así como para solicitar repuestos.
- Familiarícese con todos los controles y con el uso adecuado de los mismos. Sepa cómo detener la máquina y desactivar los controles rápidamente.
- No permita nunca que los niños menores de 14 años utilicen esta máquina. Los niños de 14 años en adelante deben leer y entender las instrucciones de funcionamiento y las normas de seguridad contenidas en este manual y en la máquina y deben ser entrenados y supervisados por un adulto.
- Nunca permita que los adultos operen esta máquina sin recibir antes la instrucción apropiada.
- Para tratar de evitar el contacto con las cuchillas o una lesión por algún objeto que sea arrojado, mantenga a los observadores, a los ayudantes, niños y mascotas alejados al menos 25 metros de la máquina mientras está en funcionamiento. Detenga la máquina si alguien se acerca.
- Inspeccione minuciosamente el área donde utilizará el equipo. Saque todas las piedras, palos, cables, huesos, juguetes y demás objetos extraños que podrían ser levantados y arrojados por las cuchillas. Los objetos arrojados por la máquina pueden causar lesiones graves.
- Planifique el patrón de corte, para evitar que la descarga de material se realice hacia los caminos, las veredas, los observadores, etc. Evite además descargar material contra una pared u obstrucción, ya que esto podría hacer que el material descargado rebotara contra el operador.
- Para protegerse los ojos utilice siempre anteojos o antiparras de seguridad mientras opera la máquina o mientras le hace ajustes o reparaciones. Los objetos arrojados que rebotan pueden causar lesiones graves en los ojos.
- Utilice zapatos de trabajo resistentes, de suela fuerte, así como pantalones y camisas ajustados. Las prendas sueltas y las alhajas pueden quedar atrapadas en las piezas móviles. Nunca haga funcionar la máquina descalzo o con sandalias.
- Esté atento a la dirección de descarga del cortacésped y su complementa y no lo apunte a nadie. No haga funcionar el cortacésped sin que la tapa de descarga o todo el colector de césped se encuentre en el lugar que corresponde.
- No coloque las manos ni los pies cerca de piezas que giran ni debajo de la plataforma de corte. El contacto con las cuchillas puede amputar manos y pies.
- Una cubierta de descarga faltante o dañada puede provocar lesiones por contacto con la cuchilla o por objetos arrojados.
- Detenga las cuchillas al cruzar sendas, senderos o caminos de grava y cuando no corte césped.
- Tenga cuidado con el tráfico cuando opere cerca de rutas o cruzándolas. Esta máquina no está diseñada para ser usada en la vía pública.
- No haga funcionar la máquinas si se encuentra bajo los efectos del alcohol o las drogas.
- Úsela solamente con luz natural o con buena luz artificial.
- Nunca lleve pasajeros.
- Retroceda lentamente Siempre mire hacia abajo y hacia atrás antes y mientras retrocede para evitar un accidente. Esté atento y vigile el funcionamiento del sistema de seguridad que corta la energía de las cuchillas al conducir marcha atrás. Si no funciona correctamente, póngase en contacto con un distribuidor autorizado para que se inspeccione y repare el sistema de seguridad.
- Reduzca la velocidad antes de girar. Haga funcionar la máquina de manera uniforme. Evite funcionar de manera errática y a excesiva velocidad.
- Desacople las cuchillas, ponga el freno de mano, apague el motor y espere hasta que las cuchillas se detengan por completo antes de retirar el colector de césped, vaciar los recortes, destapar el canal, retirar restos de césped o desechos, o hacer cualquier ajuste.
- Nunca deje la máquina en funcionamiento sin vigilancia. Apague siempre las cuchillas, coloque las palancas de control de transmisión en neutral, coloque el freno de mano, detenga el motor y retire la llave antes de bajarse del vehículo.
- Tenga mucho cuidado al cargar o descargar la máquina en un remolque o camión. Esta máquina no debe conducirse subiendo o bajando rampas, ya que la máquina podría volcar y provocar lesiones personales graves. La máquina se debe empujar a mano en rampas para cargarla o descargarla correctamente.
- El silenciador y el motor se calientan y pueden causar quemaduras. No los toque.
- Revise la holgura superior antes de conducir debajo de ramas bajas, cables, cerramientos de puertas, etc., donde el operador puede golpearse o ser tirado de la máquina, lo que podría resultar en lesiones graves.
- Desactive los embragues de todos los accesorios, coloque el freno de mano en posición 'on' y mueva las palancas de control de transmisión de lado derecho y lado izquierdo a la posición de punto muerto antes de intentar arrancar el motor.



# INSTRUCCIONES DE SEGURIDAD

- Su máquina está diseñada para cortar césped residencial normal de una altura no mayor a 10 pulgadas. No intente cortar césped demasiado crecido, seco (por ejemplo, pastura) ni pilas de hojas secas. El césped o las hojas secas pueden ponerse en contacto con el escape del motor y/o acumularse en la plataforma de corte constituyendo un peligro de incendio en potencia.
- Utilice solamente accesorios y complementos aprobados por el fabricante para esta máquina. Lea, comprenda y siga todas las instrucciones incluidas con el accesorio o complemento aprobado. Para obtener una lista de los dispositivos de sujeción o accesorios aprobados, llame al 1-888-331-4569.
- Los datos indican que los operadores mayores de 60 años participan de un gran porcentaje de lesiones relacionadas con tractores cortacésped. Estas personas deben evaluar su capacidad para operar el tractor de manera suficientemente segura para protegerse a sí mismos y a otros de lesiones graves.
- Si se presentan situaciones que no están previstas en este manual, tenga cuidado y use el sentido común.

## FUNCIONAMIENTO EN PENDIENTE

Las pendientes son un factor importante relacionado con accidentes por pérdida de control y vuelcos que pueden producir lesiones graves o la muerte. Todas las pendientes requieren mayor precaución. Si no puede retroceder por la pendiente o si no se siente seguro, no realice ningún corte.

Para su seguridad, use el indicador de pendientes que se adjunta a este manual para medir la pendiente antes de operar la máquina en una zona inclinada. Si la pendiente es de más de 15°, como se muestra en el medidor, no haga funcionar esta máquina en ese sector o podría causar lesiones graves.

### Haga lo siguiente:

- Corte de forma transversal a la pendiente, no hacia arriba ni hacia abajo. Tenga mucho cuidado al cambiar de dirección en una pendiente.
- Esté atento a los hoyos, surcos, baches, rocas u otros objetos ocultos. El terreno desnivelado puede voltear la máquina. El césped alto puede ocultar obstáculos.
- Conduzca a baja velocidad. Elija una velocidad lo suficientemente baja, de modo que no tenga que detenerse mientras está en la pendiente. Evite arrancar y detenerse cuando está en una pendiente. Si los neumáticos no pueden mantener la tracción, desenganche las cuchillas y baje lentamente y con cuidado por la pendiente.
- Siga las recomendaciones del fabricante sobre los pesos o contrapesos de las ruedas para mejorar la estabilidad.
- Tenga mucho cuidado con los colectores de césped y otros complementos. Pueden modificar la estabilidad de la máquina.
- Todos los movimientos en las pendientes deben ser lentos y graduales. No haga cambios bruscos de velocidad o dirección. La aceleración o la reducción repentina de velocidad pueden hacer que el frente de la máquina se levante y vuelque hacia atrás, lo que podría producir lesiones graves.

### No haga lo siguiente:

- No gire en pendiente a menos que sea necesario; si lo hace, gire lentamente cuesta arriba y tenga sumo cuidado al hacerlo.
- No corte cerca de caídas, zanjas o terraplenes. La cortadora puede volcarse repentinamente si una de las ruedas pasa el borde de un acantilado o zanja, o si se desmorona un borde.
- No intente estabilizar la máquina poniendo un pie en tierra.
- No utilice el recolector en pendientes pronunciadas.
- No recorte el césped mojado. La falta de tracción puede hacer que se deslice.
- No remolque complementos de arrastrar pesados (como carrito de basura cargado, podadora de rodillos, etc.) en pendientes de más de 5°. Cuando se desplaza pendiente abajo, el peso adicional tiende a empujar el tractor cortacésped y puede hacer que se pierda el control del mismo (por ejemplo, el tractor cortacésped se puede acelerar, se reduce la capacidad para frenar y maniobrar, los accesorios pueden plegarse como un cortaplumas y hacer que el tractor vuelque).

## NIÑOS

Pueden ocurrir accidentes trágicos si el operador no está atento a la presencia de niños. Por lo general, los niños se sienten atraídos por la máquina y su actividad. No entienden los riesgos ni los peligros. Nunca suponga que los niños permanecerán en el lugar donde los vio por última vez.

- Mantenga a los niños fuera del área de corte y bajo estricta vigilancia de un adulto responsable además del operador.
- Esté alerta y apague la máquina si un niño ingresa al área.
- Para evitar accidentes al retroceder, siempre mire hacia atrás y hacia abajo para ver si hay niños.
- Nunca transporte niños, ni siquiera con las cuchillas desactivadas. Podrían caerse y resultar gravemente heridos o interferir con la operación segura de la máquina.
- Tenga mucho cuidado al aproximarse a las esquinas ciegas, puertas, arbustos, árboles u otros objetos que puedan obstaculizarle la vista de un niño que pudiese correr al encuentro de la máquina.
- Mantenga a los niños alejados de los motores en marcha o calientes. Pueden sufrir quemaduras con un silenciador caliente.
- Retire la llave cuando la máquina queda sin vigilancia para evitar el funcionamiento no autorizado.

No permita nunca que los niños menores de 14 años utilicen esta máquina. Los niños de 14 años en adelante deben leer y entender las instrucciones de funcionamiento y las normas de seguridad contenidas en este manual y en la máquina y deben ser entrenados y supervisados por un adulto.

## REMOLQUE

- Remolque únicamente con una máquina que tenga un enganche diseñado para remolcar. No acople equipo remolcado excepto en el punto de enganche.
- Siga las recomendaciones del fabricante en lo que respecta a los límites de peso de los equipos a remolcar y al remolque en pendientes.
- Nunca permita que los niños y otras personas se suban a equipos remolcados.
- En las pendientes, el peso del equipo remolcado puede causar pérdida de tracción y pérdida de control.
- Desplácese lentamente y deje distancia adicional para detenerse.
- No cambie a punto muerto para bajar por inercia.
- No remolque complementos de arrastrar pesados (como carrito de basura cargado, podadora de rodillos, etc.) en pendientes de más de 5°. Cuando se desplaza pendiente abajo, el peso adicional tiende a empujar el tractor cortacésped y puede hacer que se pierda el control del mismo (por ejemplo, el tractor cortacésped se puede acelerar, se reduce la capacidad para frenar y maniobrar, los accesorios pueden plegarse como un cortaplumas y hacer que el tractor vuelque).

## SERVICIO

### Manejo seguro de la gasolina:

Para evitar lesiones personales o daños materiales tenga mucho cuidado al manipular la gasolina. La gasolina es sumamente inflamable y sus vapores pueden causar explosiones. Si se derrama gasolina encima o sobre la ropa se puede lesionar gravemente ya que se puede encender. Lávese la piel y cámbiese de ropa de inmediato.

- Utilice sólo los recipientes para gasolina autorizados.
- Nunca llene los recipientes dentro de un vehículo o un camión o un remolque con recubrimiento plástico. Coloque siempre los recipientes en el piso y lejos del vehículo antes de llenarlo.
- Cuando sea conveniente, retire el equipo a gasolina del camión o remolque y llénelo sobre el suelo. Si esto no es posible, llene el equipo en un remolque con un recipiente portátil, en vez de hacerlo desde una boquilla dispensadora de gasolina.

# INSTRUCCIONES DE SEGURIDAD

- En todo momento mantenga la boquilla en contacto con el borde del depósito de combustible o con la abertura del recipiente, hasta terminar la carga. No utilice un dispositivo de apertura/cierre de la boquilla,
- Apague todos los cigarrillos, cigarros, pipas y otras fuentes de combustión.
- Nunca cargue combustible en la máquina en un espacio cerrado.
- Nunca saque la tapa del combustible ni agregue combustible mientras el motor está caliente o en marcha. Deje que el motor se enfríe por lo menos dos minutos antes de volver a cargar combustible.
- Nunca llene en exceso el depósito de combustible. Llene el depósito no más de ½ pulgada por debajo de la base del cuello de llenado para dejar espacio para la expansión del combustible.
- Vuelva a colocar el tapón de combustible y ajústelo bien.
- Limpie el combustible que se haya derramado sobre el motor y el equipo. Traslade la máquina a otra zona. Espere 5 minutos antes de encender el motor.
- Para reducir el riesgo de incendio, mantenga la máquina limpia de pasto, hojas y residuos acumulados. Limpie los derrames de aceite o combustible y saque todos los residuos embebidos en combustible.
- Nunca guarde la máquina o el recipiente de combustible en un espacio cerrado donde haya fuego, chispas o luz piloto, como por ejemplo de calentadores de agua, calefactores de ambientes, hornos, secadores de ropa u otros aparatos a gas.
- Deje que la máquina se enfríe por lo menos cinco minutos antes de guardarla.

## Servicio general

- Nunca encienda el motor en espacios cerrados o en una zona con poca ventilación. El escape del motor contiene monóxido de carbono, un gas inodoro y letal.
- Antes de limpiar, reparar o inspeccionar la máquina, compruebe que las cuchillas y todas las piezas móviles se hayan detenido. Desconecte el cable de la bujía y póngalo haciendo masa contra el motor para evitar que se encienda accidentalmente.
- Controle periódicamente para asegurarse que las cuchillas se detienen completamente aproximadamente cinco (5) segundos después de accionar el control de desacople. Si las cuchillas no se detienen dentro de este lapso, su máquina debe ser reparada por un profesional de Sears u otro servicio calificado.
- Controle periódicamente el funcionamiento del sistema de bloqueo de seguridad, como se describe más adelante en este manual. Si el sistema de bloqueo de seguridad no funciona correctamente, solicite el servicio de mantenimiento profesional de Sears u otro distribuidor calificado.
- Controle las cuchillas y los pernos de montaje del motor a intervalos frecuentes para verificar que estén bien apretados. Además, inspeccione visualmente las cuchillas buscando daño (por ejemplo: desgaste excesivo, abolladuras, rajaduras). Reemplace las cuchillas únicamente por cuchillas de los fabricantes del equipo original (O.E.M.) listados en este manual. El uso de piezas que no cumplen con las especificaciones del equipo original puede resultar en rendimiento inadecuado y puede poner en peligro la seguridad.
- Las cuchillas de la cortadora son filosas. Envuelva la cuchilla o utilice guantes y extreme las precauciones cuando les haga mantenimiento.
- Mantenga todos los pernos, tuercas y tornillos bien ajustados para asegurarse de que la máquina se encuentra en condiciones seguras de funcionamiento.
- Nunca altere el sistema de bloqueo de seguridad u otros dispositivos de seguridad. Controle periódicamente que funcionen correctamente.
- Después de golpear algún objeto extraño, detenga el motor, desconecte los cables de la bujía y conéctelo a tierra con el motor. Inspeccione minuciosamente la máquina para ver si está dañada. Repare el daño antes de volver a arrancar y operar la máquina.
- Nunca intente hacer ajustes o arreglos con el motor en marcha.

- Los componentes del recolector de césped y la cubierta de descarga están sujetos a desgaste y daños lo que podría dejar expuestas las piezas móviles o permitir que arroje objetos. Para proteger su seguridad, verifique frecuentemente todos los componentes y reemplácelos inmediatamente sólo por repuestos de los fabricantes del equipo original (O.E.M.) listados en este manual. El uso de piezas que no cumplen con las especificaciones del equipo original puede resultar en rendimiento inadecuado y puede poner en peligro la seguridad.
- No cambie la configuración del regulador del motor ni acelere demasiado el motor. El regulador del motor controla la velocidad máxima de funcionamiento seguro del motor.
- Mantenga o reemplace las etiquetas de seguridad y de instrucciones según sea necesario.
- Observe las leyes y reglamentos sobre la correcta disposición del gas, el petróleo, etc., para proteger el medio ambiente.
- Según la Comisión de Seguridad de Productos para el Consumidor de los Estados Unidos (CPSC) y la Agencia de Protección Ambiental de los Estados Unidos (EPA), este producto tiene una vida útil media de siete (7) años ó 270 horas de funcionamiento. Al finalizar la vida útil media haga inspeccionar anualmente esta unidad por Sears u otro distribuidor calificado para cerciorarse de que todos los sistemas mecánicos y de seguridad funcionan correctamente y no tienen excesivo desgaste. Si no lo hace, pueden producirse accidentes, lesiones o la muerte.

## NO MODIFIQUE EL MOTOR

Para evitar lesiones graves o la muerte, no modifique el motor de ninguna manera. Si altera la configuración del regulador, el motor se puede desbocar y funcionar a velocidades que no son seguras. Nunca cambie la configuración de fábrica del regulador del motor.

## AVISO REFERIDO A EMISIONES

Los motores que están certificados y cumplen con las normas sobre emisiones federales EPA y de California para SORE (Equipos pequeños todo terreno) están certificados para funcionar con gasolina sin plomo común y pueden incluir los siguientes sistemas de control de emisiones: Modificación de motor (EM), catalizador oxidante (OC), inyección de aire secundaria (SAI) y catalizador de tres vías (TWC) si están instalados.

## AMORTIGUADOR DE CHISPAS

### ADVERTENCIA

Esta máquina está equipada con un motor de combustión interno y no debe ser utilizada en o cerca de un terreno agreste cubierto por bosque, malezas o hierba excepto que el sistema de escape del motor esté equipado con un amortiguador de chispas que cumpla con las leyes locales o estatales correspondientes (en caso de existir).

Si se utiliza un amortiguador de chispas el operador lo debe mantener en condiciones de uso adecuadas. En el Estado de California las medidas anteriormente mencionadas son exigidas por ley (Artículo 4442 del Código de Recursos Públicos de California). Es posible que existan leyes similares en otros estados. En los territorios federales, se aplican las leyes federales. Podrá obtener un amortiguador de chispas para el silenciador en el centro de servicio de piezas y reparaciones Sears más cercano.

# INSTRUCCIONES DE SEGURIDAD

## SÍMBOLOS DE SEGURIDAD

En esta página se presentan y describen los símbolos de seguridad que en este producto puede tener. Lea, entienda y siga todas las instrucciones incluidas en la máquina antes de intentar armarla y hacerla funcionar.

Símbolo	Descripción
	<b>LEA LOS MANUALES DEL OPERADOR</b> Lea, entienda y siga todas las instrucciones incluidas en los manuales antes de intentar armarla y hacerla funcionar.
	<b>PELIGRO — CUCHILLAS GIRATORIAS</b> Nunca lleve pasajeros. Nunca transporte niños, ni siquiera después de haber desconectado las cuchillas.
	<b>PELIGRO — CUCHILLAS GIRATORIAS</b> Se recomienda no cortar marcha atrás.
	<b>PELIGRO — CUCHILLAS GIRATORIAS</b> No coloque las manos ni los pies cerca de piezas que giran ni debajo de la plataforma de corte. El contacto con la(s) cuchilla(s) puede resultar en la amputación de una mano o de un pie.
	<b>PELIGRO — CUCHILLAS GIRATORIAS</b> Mire hacia abajo y hacia atrás antes y mientras se desplaza marcha atrás, para evitar un accidente.
	<b>ADVERTENCIA - OBJETOS LANZADOS</b> Esta máquina puede recoger y lanzar objetos que pueden causar lesiones personales graves.
	<b>PELIGRO — DISPOSITIVOS DE SEGURIDAD</b> Mantenga los dispositivos de seguridad (guardas, protectores, interruptores, etc.) en su lugar y funcionando.
	<b>ADVERTENCIA — OBSERVADORES</b> Mantenga a los observadores, ayudantes, mascotas y niños por lo menos a 75 pies de la máquina siempre que esté funcionando.
	<b>ADVERTENCIA — OPERACIÓN EN PENDIENTE</b> No opere esta máquina en una pendiente superior a 15 grados. No corte de arriba a abajo laderas. Corte el césped a través de pendientes no superiores a 15 grados. Evite giros repentinos. Utilice baja velocidad. Si la máquina deja de ir cuesta arriba, deje de cuchillas y retroceder lentamente.
	<b>ADVERTENCIA— SUPERFICIE CALIENTE</b> Las piezas del motor, especialmente el silenciador, se recalientan durante la operación. Deje que el motor y el silenciador se enfríen antes de tocarlos.
	<b>PELIGRO — CUCHILLAS GIRATORIAS</b> Para reducir el riesgo de lesiones, mantenga alejados manos y pies. No haga funcionar sin que la tapa de descarga o el colector de césped se encuentren en el lugar que corresponde. Si están dañados, reemplácelos inmediatamente.
	<b>ADVERTENCIA — RIESGO DE INCENDIO</b> Deje que la máquina se enfríe antes de cargar combustible o almacenarla.
	<b>ADVERTENCIA — RIESGO DE INCENDIO</b> No conduzca sobre pilas de hojas secas o pasto alto.
	<b>ADVERTENCIA — RIESGO DE INCENDIO</b> El funcionamiento de este equipo puede crear chispas que pueden iniciar incendios alrededor de vegetación seca. Puede requerirse un amortiguador de chispas.

# GUÍA PARA LA OPERACIÓN EN PENDIENTES

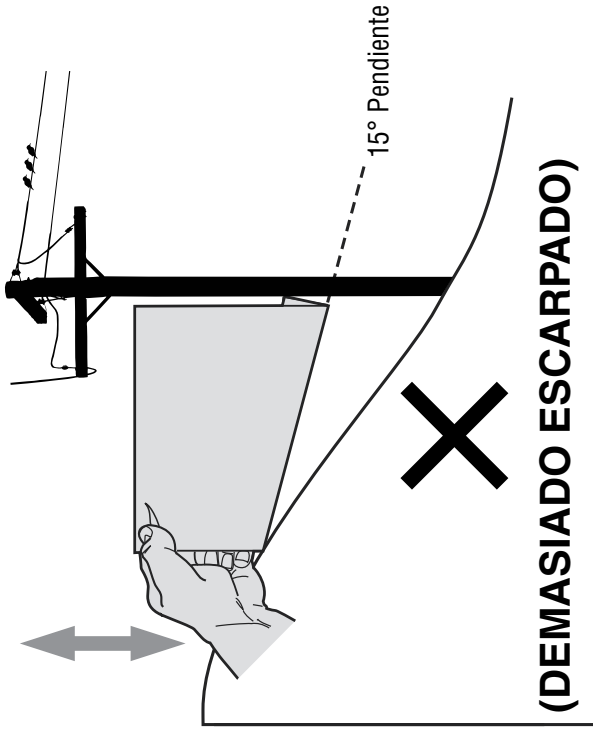


Figura 2

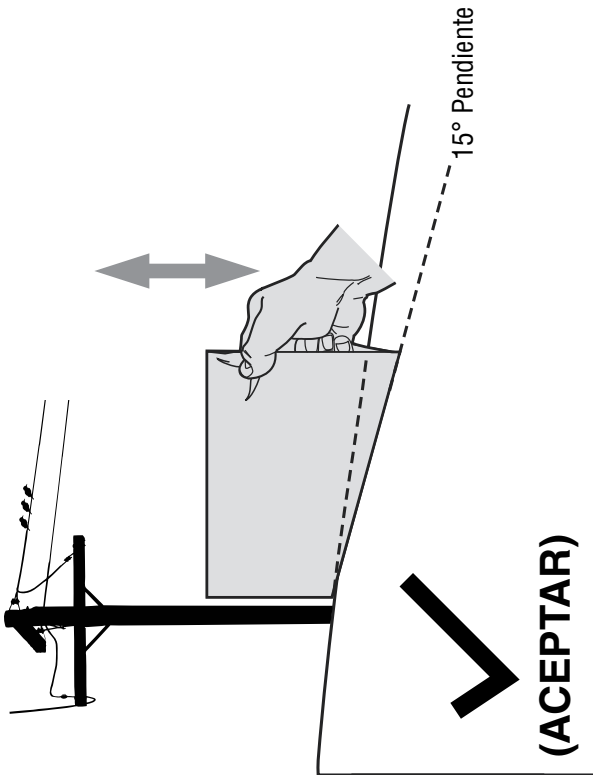
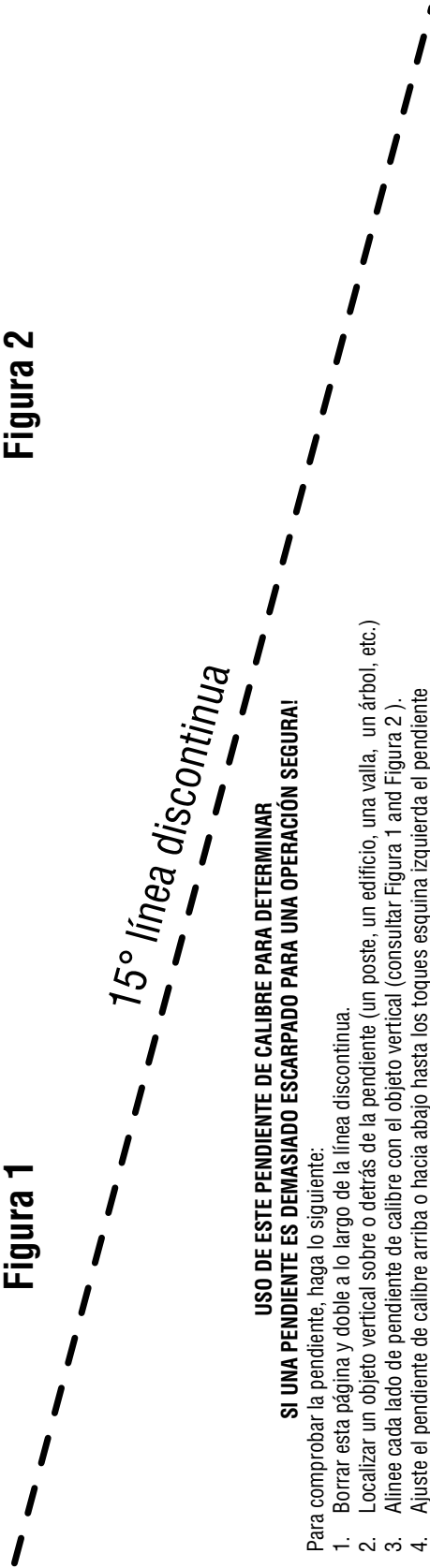


Figura 1



## USO DE ESTE PENDIENTE DE CALIBRE PARA DETERMINAR SI UNA PENDIENTE ES DEMASIADO ESCARPADO PARA UNA OPERACIÓN SEGURA!

Para comprobar la pendiente, haga lo siguiente:

1. Borrar esta página y doble a lo largo de la línea discontinua.
2. Localizar un objeto vertical sobre o detrás de la pendiente (un poste, un edificio, una valla, un árbol, etc.)
3. Alinee cada lado de pendiente de calibre con el objeto vertical (consultar Figura 1 and Figura 2).
4. Ajuste el pendiente de calibre arriba o hacia abajo hasta los toques esquina izquierda el pendiente (consultar Figura 1 and Figura 2).
5. Si hay un espacio por debajo de la pendiente de calibre, el pendiente es demasiado escarpa por operación segura (consultar Figura 2 above).

## ⚠ ADVERTENCIA

Las pendientes son un factor importante relacionado con un vuelco y renovación de los accidentes que pueden provocar lesiones graves o la muerte. No utilice la máquina en pendientes de más de 15 grados. Todos pendientes requiere mayor precaución. Si no puede retroceder en la pendiente o si se siente inseguro en ella, no la recorte. Siempre corte el césped en toda la superficie de la cuesta. Nunca arriba y abajo las pendientes.

# MONTAJE

## Configuración

**NOTA:** Retire el adaptador del pico del sistema de lavado de la plataforma de la bolsa del manual, y guárdelos para uso futuro.

## Desplazamiento manual del tractor cortacésped

La transmisión del tractor cortacésped está equipada con una válvula de descarga hidrostática para ocasiones en las que es necesario mover el tractor manualmente. Al abrir esta válvula el líquido que está en la transmisión puede evitar su ruta normal, permitiendo que los neumáticos traseros "rueden libremente". Para abrir la válvula de descarga hidrostática, proceda de la siguiente manera:

1. Localice la varilla de derivación hidrostática en la parte trasera del tractor. Vea la Figura 1.

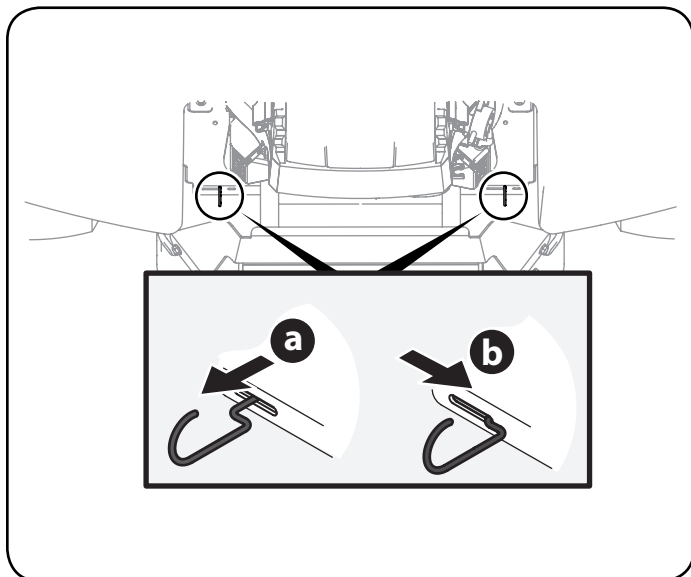


Figura 1

2. Enganche las varillas de derivación tirando de cada una hacia afuera (a) y hacia la derecha (b) para trabarlas en su lugar. Vea la Figura 1.
3. Después de mover el tractor, desenganche las varillas de derivación invirtiendo los pasos a y b. Vea la Figura 1.

**NOTA:** La transmisión NO se enganchará cuando la varilla de derivación hidrostática se tira hacia fuera. Regrese la varilla a su posición normal antes de usar el tractor cortacésped.

### PRECAUCIÓN

No intente nunca mover el tractor cortacésped manualmente sin abrir primero la válvula de descarga hidrostática. De hacerlo, puede dañarse gravemente la transmisión del tractor.

## Instale el asiento del operador

Para instalar el asiento proceda de la siguiente manera:

**NOTA:** El asiento se envía con el interruptor de asiento y el contenedor del asiento acoplados.

1. Corte cualquiera de las tiras que sujetan el conjunto del asiento y las palancas de control de la transmisión al tractor. Quite cualquier material de empaque.

**NOTA:** Tenga cuidado para no cortar el cableado que conecta el asiento al interruptor del asiento.

2. Quite los dos pernos con reborde y las tuercas de seguridad del contenedor del asiento tal como se muestra en la Fig. 2.

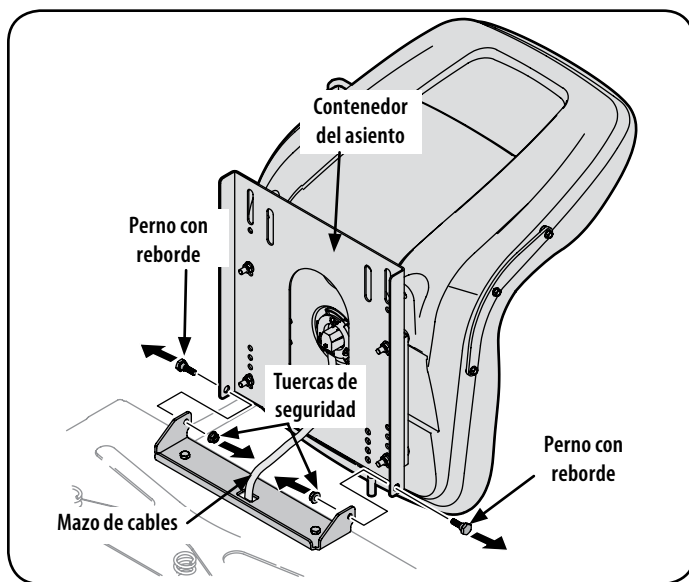


Figura 2

3. Gire el asiento hasta la posición deseada y asegúrelo en su lugar con los pernos con reborde y las tuercas de seguridad que extrajo antes. Tenga cuidado de no doblar o dañar el cableado mientras instala el asiento. Vea la Figura 3.

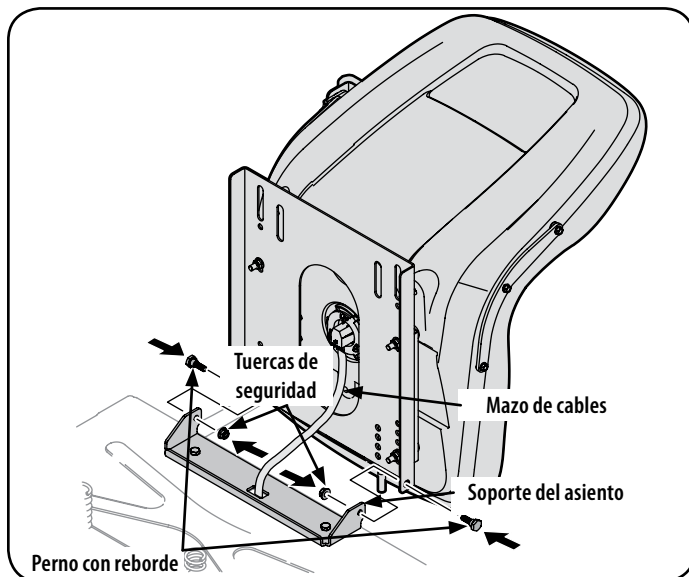


Figura 3

# MONTAJE

## Coloque las palancas de control de la transmisión en posición

Las palancas de control de la transmisión del tractor cortacésped se bajan para el envío. Las tuercas de seguridad con brida, los tornillos hexagonales y las arandelas planas que normalmente fijan las palancas de control en su posición de funcionamiento se aflojan e instalan en los orificios ranurados de las palancas de control para el envío. Las palancas de control se deben volver a colocar en su posición para utilizar el tractor cortacésped. Para volver a colocar las palancas de control en posición de operación haga lo siguiente:

1. Retire los tornillos hexagonales y las arandelas planas del paquete de elementos de ferretería de la bolsa del manual.
2. Levante y gire esa palanca de control hacia arriba hasta que el orificio ranurado del soporte de la palanca quede alineado con uno de los orificios del soporte de pivote. Vea la Figura 4.

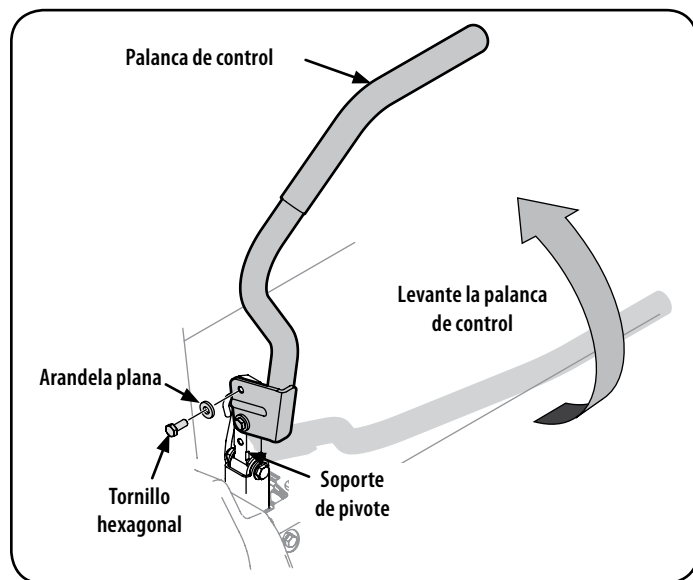


Figura 4

3. Deslice la arandela plana hacia el tornillo hexagonal. Desde afuera, inserte el tornillo hexagonal con arandela a través de la ranura de la palanca de control y el orificio del soporte de pivote. Vea la Figura 4. Ajuste el tornillo con una llave de 1/2" pero no lo ajuste completamente.
4. Observe la posición relativa de la palanca de control respecto del soporte de pivote, luego repita los pasos precedentes para reubicar la otra palanca de control en aproximadamente la misma posición.

### ⚠ PRECAUCIÓN

Ajuste bien los tornillos para evitar que las palancas de control se deslicen fuera de su posición.

5. Consulte las instrucciones para el ajuste final de las palancas en la Sección de Mantenimiento y Ajustes bajo el título "Ajuste de las palancas de control de la transmisión".

## Conexión de los cables de la batería

### ⚠ ADVERTENCIA

Los bornes, los terminales y los accesorios relacionados de la batería contienen plomo y compuestos de plomo, sustancias químicas que según lo establecido por el Estado de California causan cáncer y daños en el sistema reproductivo. Lávese las manos después de estar en contacto con estos componentes.

### ⚠ PRECAUCIÓN

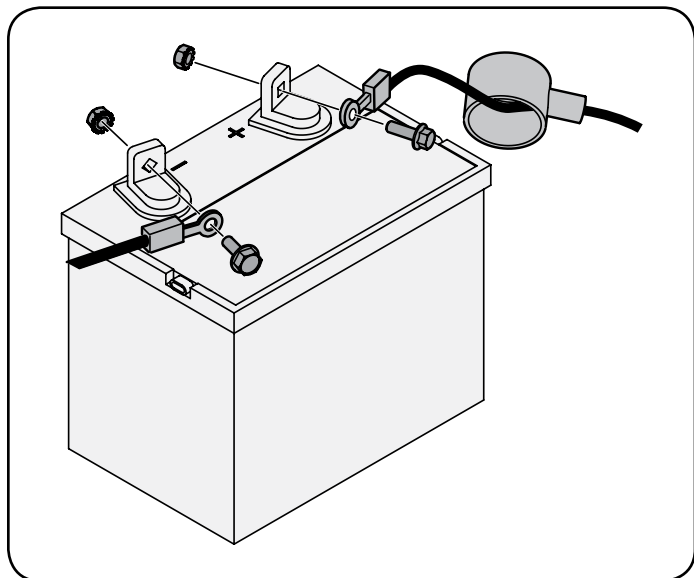
Cuando coloque los cables de la batería, conecte siempre primero el cable POSITIVO (rojo) a su borne, y a continuación el cable NEGATIVO (negro).

Por razones relacionadas con el envío, los dos cables de la batería de su equipo se pueden haber dejado desconectados de los terminales en fábrica. Para conectar los cables de la batería, proceda de la siguiente manera:

**NOTA:** El borne positivo de la batería está marcado como Pos (+). El borne negativo de la batería está marcado como Neg (-).

**NOTA:** Si el cable positivo de la batería ya está conectado, siga con el paso 2.

1. Retire la cubierta plástica, si es que está presente, del borne positivo de la batería y una el cable rojo al borne positivo de la batería (+) utilizando el perno y la tuerca hexagonal. Vea la Figura 5.



2. Retire la cubierta plástica, si es que está presente, del borne negativo de la batería y una el cable negro al borne negativo de la batería (-) utilizando el perno y la tuerca hexagonal. Vea la Figura 5.
3. Coloque el capuchón de goma rojo por encima del borne positivo de la batería para protegerlo contra la corrosión.

**NOTA:** Si la batería se pone en funcionamiento después de la fecha indicada en su parte superior o al costado de la misma, cárguela siguiendo las instrucciones de la sección Servicio y mantenimiento de su Manual del Operador antes de utilizar el tractor cortacésped.

# MONTAJE

## Baje el deflector del canal de descarga de la plataforma

### ⚠ ADVERTENCIA

Nunca opere la plataforma de corte sin el deflector del canal de descarga instalado y en posición baja.

Se debe instalar el deflector del canal de descarga antes de operar la cortadora de césped.

1. Retire las chavetas que están sujetas con una unión con cierre al soporte del canal.
2. Retire los tornillos del carro (a), las tuercas de bloqueo de la brida (b) y las arandelas planas (c) del paquete de elementos de ferretería de la bolsa del manual. Vea la Figura 6.

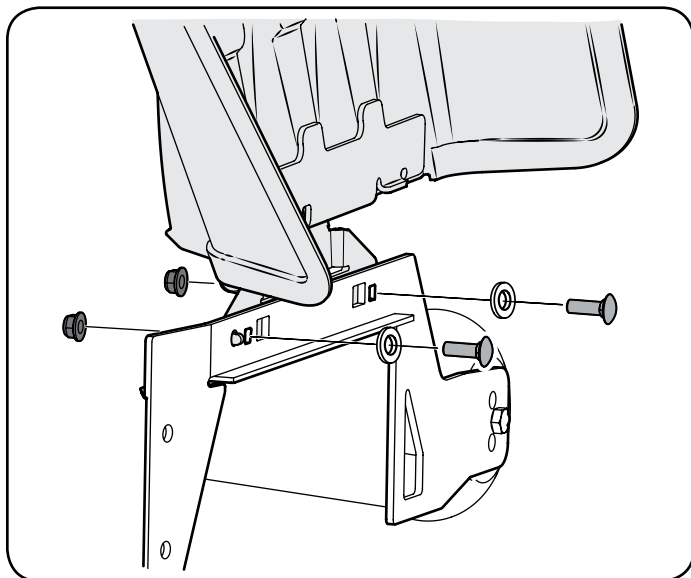


Figura 6

3. Con los elementos de ferretería que extrajo anteriormente, instale el deflector del canal en la plataforma, como se indica en la Figura 6.

## Control de la presión de los neumáticos

### ⚠ ADVERTENCIA

No infle los neumáticos en exceso. Consulte en los laterales de los neumáticos la presión máxima en psi. Se debe mantener una presión uniforme para todos los neumáticos en todo momento.

Es posible que los neumáticos del tractor cortacésped se hayan inflado en exceso para el envío del producto. Reduzca la presión de los neumáticos antes de operar el tractor. Consulte en los laterales de los neumáticos la presión máxima en psi.

## Ajuste de las ruedas de calibración

### ⚠ ADVERTENCIA

Mantenga las manos y pies alejados de la abertura de descarga de la plataforma de corte.

**NOTA:** Las ruedas de calibración de la plataforma constituyen un mecanismo para el cuidado del césped y no fueron diseñadas para soportar el peso de la plataforma de corte.

La altura de corte de la plataforma de corte se puede fijar en cualquiera de seis valores de altura usando la manija de elevación de la plataforma del tractor. Las alturas de la plataforma oscilan entre 1-1/2" hasta 4". La posición de las ruedas de calibración de la plataforma debe ser aproximadamente entre 1/4" a 1/2" por encima del nivel del suelo cuando la plataforma se fija en el valor de altura deseado.

Usando la manija de elevación, fije la plataforma en el valor de altura deseado, luego controle la distancia entre la rueda de calibración y el piso. Si es necesario, ajústela de la siguiente forma:

1. Controle visualmente la distancia entre las ruedas de calibración delanteras y el suelo. Si las ruedas de calibración están cerca del suelo o lo tocan, es necesario levantarlas. Si las ruedas de calibración se encuentran a más de 1/2" del suelo, es necesario bajarlas.
2. Retire la tuerca de seguridad que fija uno de los tornillos hexagonales de las ruedas de calibración delanteras a la plataforma. Retire la rueda de calibración, el tornillo hexagonal y el espaciador. Consulte la Figura 7.

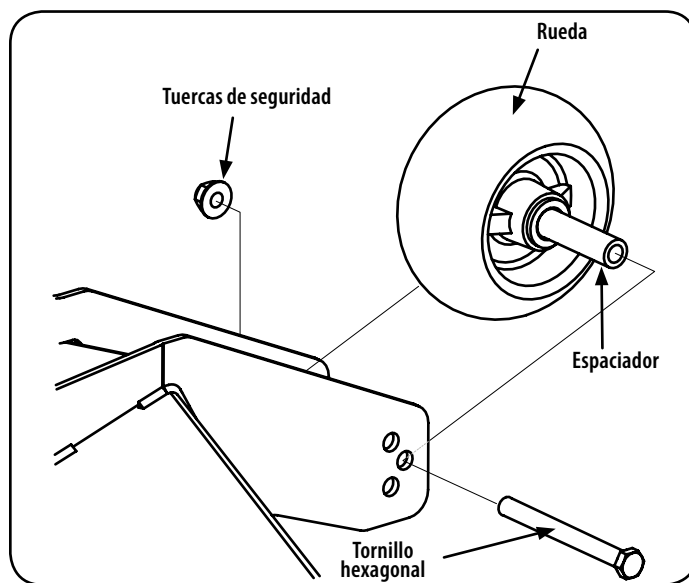


Figura 7

3. Inserte el tornillo hexagonal en uno de los tres orificios de posicionamiento del soporte de rueda de calibración delantera que dé a la rueda de calibración, una separación de 1/4-1/2" del suelo.
4. Observe el orificio de posicionamiento de la rueda que acaba de ajustar y ajuste la otra rueda de calibración delantera en el orificio de posicionamiento respectivo del otro soporte de rueda de calibración delantera de la plataforma.



# MONTAJE

## Ajuste del asiento

Para ajustar la posición del asiento, gírelo hacia adelante y ubique las dos perillas de ajuste en el frente del contenedor del asiento. Consulte la Figura 8.

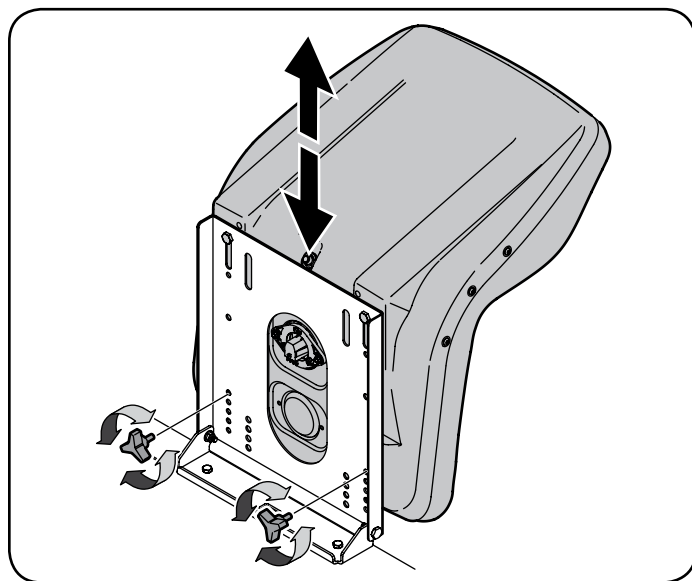


Figura 8

Gire las perillas de abrazadera hacia la izquierda y extráigalas, deslice el asiento hacia adelante o atrás y vuelva a insertar dichas perillas en una de las cuatro posiciones disponibles del contenedor del asiento y dentro del asiento, luego ajuste bien. Asegúrese de que el asiento esté fijo en su posición antes de operar el tractor. Vea la figura 8.

## Gasolina y aceite

### Recomendaciones sobre el combustible

Utilice gasolina para automóviles (sin plomo o bajo contenido de plomo para minimizar los depósitos en la cámara de combustión) con un mínimo de 87 octanos. Se puede usar gasolina con hasta un 10% de etanol o un 15% de MTBE (éter metílico terciario-butílico). Nunca use una mezcla de aceite y gasolina ni gasolina sucia. Evite que se introduzca suciedad, polvo o agua en el depósito de combustible. NO utilice gasolina E85.

- Cargue combustible en un área bien ventilada y con el motor apagado. No fume ni permita llamas o chispas en el lugar donde se carga combustible o se almacena la gasolina.
- No llene en exceso el depósito de combustible. Después de cargar combustible, asegúrese de que el tapón del depósito esté bien cerrado y asegurado.
- Tenga cuidado de no derramar combustible al realizar la recarga. El combustible derramado o sus vapores se pueden incendiar. Si se derrama combustible, asegúrese de que el área esté seca antes de arrancar el motor.
- Evite el contacto repetido o prolongado con la piel y la inhalación de los vapores.

## Carga de combustible

### ⚠ ADVERTENCIA

Tenga mucho cuidado al trabajar con gasolina. La gasolina es sumamente inflamable y sus vapores pueden causar explosiones. Nunca agregue combustible al tractor cortacésped en interiores ni mientras el motor está caliente o en funcionamiento. Apague cigarrillos, cigarros, pipas y otras fuentes de combustión.

1. Compruebe que el motor esté al aire libre en una zona bien ventilada.
2. Limpie el área que está alrededor del tapón de llenado de combustible y quite dicho tapón.
3. Use un recipiente rojo para GASOLINA aprobado y agregue el combustible lentamente, tomando la precaución de evitar derrames.
4. Llene el depósito hasta que el combustible llegue a la base del cuello de llenado del depósito de combustible.
5. Vuelva a colocar la tapa del combustible y ajústela bien. Antes de poner en marcha el motor, debe limpiar el combustible que se haya derramado. Si se derrama combustible NO ponga en marcha el motor. Mueva el tractor cortacésped para alejarlo de la zona del derrame. Evite generar una fuente de encendido hasta que los vapores del combustible hayan desaparecido.

### Procedimiento para controlar y agregar aceite

Su tractor cortacésped se envía con aceite en el motor. Sin embargo, usted DEBE controlar el nivel de aceite antes de hacerlo funcionar. Controle y agregue el aceite como se indica en el Manual del operador del motor.

## Activación de Bluetooth® inteligente Césped App



Tome el control del cuidado de su césped con Smart Lawn, la aplicación con tecnología Bluetooth® de Craftsman. Sugerencias de mantenimiento, seguimiento del tiempo y más; todo lo que usted necesita para cuidar del mejor jardín de la manzana lo encuentra ahora en un solo lugar.

Smart Lawn también le proporciona instrucciones detalladas y tutoriales en video para enseñarle a conservar su tractor cortacésped funcionando correctamente. Además, puede pedir las piezas que necesita directamente desde la aplicación. La aplicación también controla la carga de la batería de su cortacésped, así como el estado de otros componentes de reposición importantes, como el aceite, las cuchillas y el filtro de aire.

Conecte su tractor cortacésped compatible con Bluetooth® descargando la aplicación GRATUITA Smart Lawn de Craftsman, ¡y comience a usar todas las nuevas funciones de conectividad de su tractor Craftsman! Descárguelo de forma GRATUITA desde la App Store o desde Google Play (funciona con dispositivos con iOS 9, Android 4.4 y versiones posteriores).

Una vez que haya creado su cuenta, la aplicación le pedirá que introduzca el número de modelo y los códigos de barras del número de serie de su cortacésped. A continuación intentará conectarse con el cortacésped a través de Bluetooth®.

Active la función Bluetooth® de su smartphone. Para sincronizar el teléfono con el cortacésped, encienda el motor, o gire la llave a la posición 'ON'. Recuerde que debe volver la llave a la posición 'OFF' después de conectarse para no descargar la batería (si no va a operar el tractor cortacésped).

Si tiene alguna duda, llame a la línea de ayuda de Craftsman al 1-888-331-4569.

# FUNCIONAMIENTO

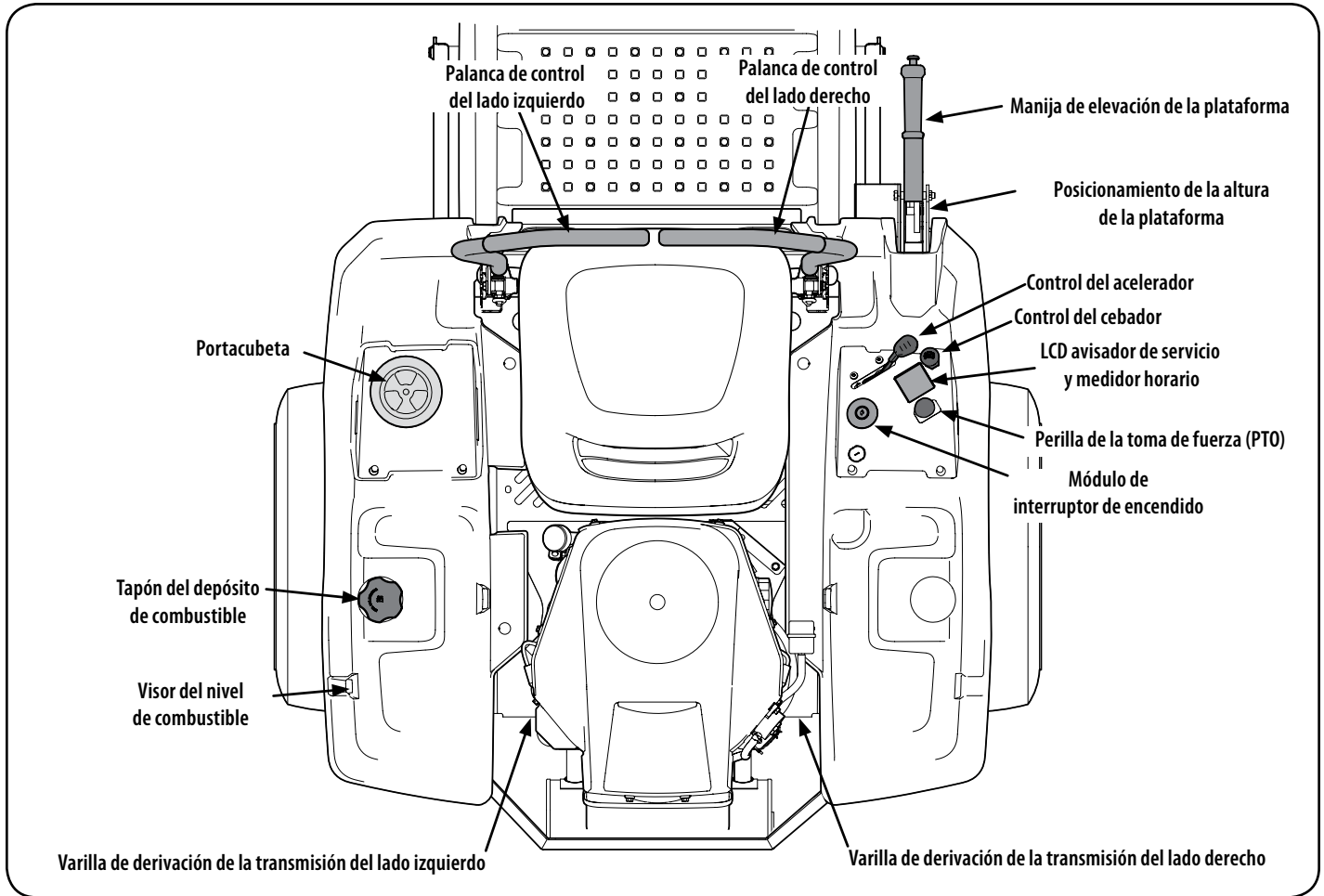


Figura 9

Ahora que ya ha ajustado su tractor cortacésped para el funcionamiento, es importante familiarizarse con sus controles y características. Consulte la Figura 10.

**NOTA:** Las referencias a IZQUIERDA, DERECHA, ADELANTE Y ATRÁS indican esa posición desde el asiento del operador en el tractor, mirando hacia adelante.

**NOTA:** Las referencias a IZQUIERDA, DERECHA, ADELANTE Y ATRÁS indican esa posición desde el asiento del operador en el tractor, mirando hacia adelante.

## Palancas de control de transmisión LADO DERECHO y LADO IZQUIERDO

Las palancas de control del LADO DERECHO y del LADO IZQUIERDO se encuentran a cada lado del asiento del operador. Estas palancas abisagradas giran hacia afuera, hacia el espacio abierto, para permitir al operador sentarse en el asiento del tractor o descender del mismo. Las palancas deben estar totalmente abiertas y en posición neutra para arrancar el motor del tractor. Cuando las palancas están completamente hacia afuera, también se activa el freno de mano.

Cada palanca controla la transmisión respectiva del lado derecho o del lado izquierdo. En consecuencia, estas palancas controlan todos los movimientos del tractor.

La conducción del tractor y la realización de maniobras con estas palancas de control difieren mucho de las funciones respectivas de los tractores convencionales, y es necesario practicar para poder dominar las mismas. Consulte la Sección Funcionamiento para obtener instrucciones sobre el uso de las palancas de control.

## Portavasos

El portavasos está ubicado en la consola del lado izquierdo, a la izquierda del asiento del operador.

## Control del acelerador

El control del acelerador está ubicado en la consola del lado derecho. Cuando se lo coloca en determinada posición, se mantiene una velocidad de motor uniforme.

Empuje la palanca de control del acelerador hacia adelante para aumentar la velocidad del motor. El tractor está diseñado para funcionar con el control del acelerador en posición rápida (aceleración máxima) cuando se conduce el tractor y la plataforma de la cortadora está activada.

Tire de la palanca de control del acelerador hacia atrás para reducir la velocidad del motor.



# FUNCIONAMIENTO

## Control del cebador

El control del cebador está ubicado en la consola del lado derecho. Dicho control determina la posición del cebador del motor. Tire de la perilla hacia afuera para cebar el motor; empuje la perilla hacia adentro para abrir el cebador.



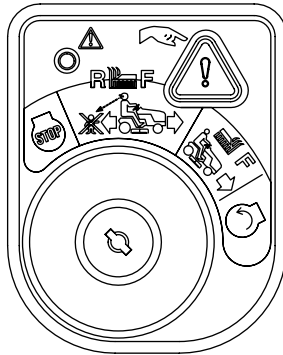
## Módulo del interruptor de encendido

### ADVERTENCIA

Nunca deje la máquina en funcionamiento sin vigilancia. Siempre desconecte la toma de fuerza (PTO), ponga el freno de mano, pare el motor y retire la llave, para evitar que el motor arranque accidentalmente.

Para encender el motor, inserte la llave en el interruptor de encendido y gírela en el sentido de las agujas del reloj hacia la posición START (arranque). Suelte la llave en la posición MODO NORMAL DE CORTE una vez que haya arrancado el motor.

Para detener el motor, gire la llave de encendido en sentido contrario a las agujas del reloj hasta la posición STOP (parar).



### PRECAUCIÓN

Antes de operar el tractor, consulte **Interruptores de Interbloqueo de Seguridad y Poner en Marcha la Máquina** en la sección **Funcionamiento** de este manual para ver instrucciones detalladas del **Módulo de Interruptor de Encendido** y operar el Tractor en **MODO PRECAUCIÓN MARCHA ATRÁS**.

## Posicionamiento de la altura de la plataforma

El mecanismo de posicionamiento de altura de la plataforma de corte consiste en varios orificios que están ubicados en el frente de la consola del lado derecho. Cada orificio corresponde a 1/4" de variación en la posición de la altura de la plataforma de corte, en un rango que va desde 1" en la muesca más baja hasta 4" en la muesca más alta. La muesca más alta también es la posición de transporte y la posición más baja es la posición de extracción/instalación de la plataforma.

**NOTA:** No corte el césped en la posición de extracción/instalación de la plataforma. De lo contrario, se afecta negativamente la vida útil de la correa.

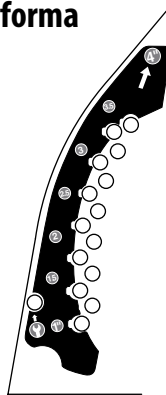
## Manija de elevación de la plataforma

La manija de elevación de la plataforma se encuentra en la parte delantera de la consola derecha, y se utiliza para levantar y bajar la plataforma de la cortadora de césped.

Oprima el botón que está en el extremo de la manija y empújela hacia abajo para bajar la plataforma o tire hacia arriba para levantarla. Una vez lograda la altura deseada, sujete el pasador en el orificio de posicionamiento deseado y suelte el botón de la manija.

**NOTA:** Compruebe que la plataforma esté bien sujeta y que se haya insertado completamente el pasador en el posicionamiento de la altura de la plataforma. El pasador se sujeta para ayudar a mantenerlo en su lugar y entra en los orificios ranurados del mecanismo de posicionamiento de la altura de la plataforma.

**NOTA:** la manija de elevación de la plataforma siempre debe estar por encima del pasador, nunca cuelgue la manija de elevación de la plataforma del pasador cuando corte el césped.

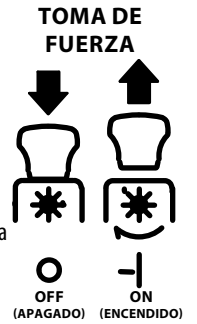


## Perilla de la toma de fuerza (PTO)

La perilla de la PTO está ubicada en la consola del lado derecho, a la izquierda del medidor horario/panel indicador.

La perilla de la toma de fuerza (PTO) hace funcionar el embrague eléctrico de toma de fuerza (PTO) que está montado en la base del cigüeñal del motor. Tire de la perilla del interruptor hacia arriba para engranar el embrague de la toma de fuerza (PTO), o empuje la perilla hacia abajo para desengranar el embrague.

Al arrancar el motor, la perilla de la toma de fuerza (PTO) debe estar en posición "desengranada".



## Varillas de derivación de transmisión

Las varillas de derivación de la transmisión (una para cada transmisión, lado derecho y lado izquierdo) están ubicadas en la parte trasera del tractor, justo dentro de cada rueda trasera.

Cuando están engranadas, las dos varillas abren una derivación dentro de las transmisiones hidrostáticas, lo cual permite empujar el tractor a mano a lo largo de distancias cortas. Consulte la sección Montaje y Configuración para obtener instrucciones sobre el uso de la función de derivación.

### PRECAUCIÓN

Nunca remolque su tractor. Si se remolca el tractor con las ruedas traseras apoyadas en el suelo se pueden causar daños graves a las transmisiones.

## Tapón del depósito de combustible

El tapón del depósito de combustible está ubicado cerca de la parte media de la consola del lado izquierdo. Gire el tapón de llenado para retirarlo. El tapón del combustible está amarrado al tractor para impedir que se pierda. No intente retirar el tapón del tractor. Llene el depósito hasta la base del cuello de llenado, dejando un poco de espacio en el depósito para la dilatación del combustible. No llene en exceso el depósito de combustible.

Empuje el tapón hacia abajo sobre el cuello de llenado del depósito de combustible y gírelo en el sentido de las agujas del reloj para ajustarlo. Siempre vuelva a colocar el tapón de combustible bien ajustado en el depósito después de quitarlo.

### ADVERTENCIA

Nunca realice la recarga de combustible en el depósito si el motor está en funcionamiento. Si el motor está caliente por haber funcionado hasta hace poco, déjelo enfriar varios minutos antes de cargar combustible. La gasolina es muy inflamable y podría salpicar el motor y causar un incendio.

## Visor del nivel de combustible

El visor del nivel de combustible está ubicado en la parte exterior de la consola del lado izquierdo y muestra el nivel de combustible que queda en el depósito de combustible.

## Depósito de expansión de aceite de transmisión

El depósito de expansión del aceite de transmisión está conectado por mangueras a los conjuntos de transmisión de lado derecho e izquierdo, y está ubicado detrás de la caja del asiento. La función del depósito es contener la expansión natural del aceite de transmisión que se produce a medida que la transmisión se calienta durante el funcionamiento de la máquina. Consulte la sección Montaje y Configuración para obtener más información sobre el depósito de expansión del aceite de la transmisión.

# FUNCIONAMIENTO

## LCD avisador de servicio y medidor horario w/ Activación de Bluetooth® inteligente Césped App

Cuando se gira la llave de encendido de la posición de parada, pero no a la posición de arranque, el LCD avisador de servicio y medidor horario mostrará brevemente la tensión de la batería, seguido de las horas acumuladas del tractor.

**NOTA:** Las horas de funcionamiento  del tractor cortacésped se registran únicamente cuando el motor está en marcha. Si el tractor cortacésped está equipado con faros, las luces permanecerán hasta el tractor cortacésped está apagado.

El avisador de servicio le recuerda al operador los intervalos de mantenimiento para cambiar el aceite del motor, el servicio del filtro de aire, advertencias de poca presión y poca batería.

### App Smart Lawn



El tablero de mantenimiento automatizado y el registro de la aplicación le ayudarán a mantener su máquina funcionando al máximo rendimiento y protegerán su inversión con el seguimiento total de horas durante toda la vida útil de su equipo.

Reciba notificaciones cuando ha llegado el momento de realizar las tareas esenciales de mantenimiento. Su tablero le proporciona monitorización en tiempo real y le indica cuándo debe verificar o cambiar el aceite, el filtro de aire, las cuchillas o la batería. La aplicación también le permite localizar y contactar con centros de servicio, acceder a instrucciones detalladas para realizar mantenimiento de rutina y adquirir repuestos directamente desde su dispositivo móvil.

### Cambiar el aceite

El LCD mostrará las letras "CHG" (cambiar), seguidas de las letras "OIL" (aceite), seguidas de las letras "SOON" (pronto), y luego finalmente seguidas por el tiempo acumulado del medidor. "CHG/OIL/SOON/TIME" se alternarán en la pantalla durante 7 minutos después de que el medidor llegue a 50 horas. Este intervalo del avisador de servicio de aceite se producirá cada 50 horas. Antes de que finalice el intervalo, cambie el nivel de aceite del motor según se indica en la sección Mantenimiento de este Manual del Operador.

### Poco aceite

Las letras "LO" (poco) seguidas de las letras "OIL" (aceite), seguidas luego del tiempo acumulado del medidor indicarán que el tractor tiene poco aceite. Detenga el tractor de inmediato y controle el nivel de aceite del motor según las instrucciones de este Manual del Propietario.

**NOTA:** La función "Poco aceite" solo funciona si el motor tiene un interruptor de presión de aceite.

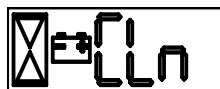
### Poca batería

Al arrancar, la tensión de la batería se visualiza fugazmente y luego cambia a horas acumuladas. Aparecen las letras "LO" (poco), seguidas de las letras "BATT" (batería), seguidas luego del tiempo acumulado del medidor. "LO/BATT/TIME" se muestra en la pantalla LCD cuando la tensión cae por debajo de 11,5 voltios. Cuando esto ocurre, hay que cargar la batería o el sistema de carga del motor no genera suficiente amperaje. Cargue la batería como se indica en la sección Servicio de este manual o haga controlar el sistema de carga por su distribuidor de servicio local.



### Mantenimiento del filtro de aire

Aparecen las letras "CLN" (limpiar), seguidas de las letras "AIR" (aire), seguidas por "FILT" (filtro), seguidas luego del tiempo acumulado del medidor. "CLN/AIR/FILT/TIME" se alternarán en la pantalla durante 7 minutos después de que el medidor llegue a 25 horas. Este intervalo del avisador de servicio del filtro de aire será cada 25 horas. En intervalos comunes con el servicio del aceite, aparece el mensaje del aceite primero seguido por el mensaje del filtro de aire.



## Seguridad general

- RECIBA LAS INSTRUCCIONES - Lea este manual del operador en su totalidad. Aprenda a usar esta máquina DE MANERA SEGURA. No se arriesgue a quedar expuesto a LESIONES o a la MUERTE. Solamente se debe permitir operar este tractor a quienes se hayan familiarizado a fondo con el uso del mismo.
- Antes de arrancar el motor o de empezar a operar, familiarícese con los controles. El operador debe estar en el asiento del operador. El interruptor de la toma de fuerza (PTO) debe estar en posición disengaged (desactivado) y se deben haber movido las palancas de control de transmisión del lado derecho y del lado izquierdo a la posición de punto muerto, aplicando el freno de mano.
- Mantenga todos los protectores en su lugar. Manténgase alejado de las piezas móviles.
- ¡NO SE PERMITE TRASLADAR PERSONAS EN EL TRACTOR! Mantenga a todas las personas y las mascotas a una distancia segura de la máquina. Siempre mire hacia atrás y hacia abajo a ambos lados del tractor antes de desplazarse marcha atrás.
- NO oriente la descarga de la cortadora hacia la gente. No camine ni se detenga del lado de la descarga de la cortadora si el motor está en marcha. Apague la toma de fuerza si otra persona se acerca mientras está usando el tractor cortacésped.
- En lo posible evite las pendientes. Nunca opere en pendientes mayores de 15°. Las pendientes con mayor inclinación presentan condiciones de operación peligrosas. Los tractores pueden voltearse. Siempre conduzca el tractor de forma transversal a la pendiente, nunca hacia arriba y hacia abajo. En lo posible evite girar cuesta abajo; arranque abajo y trabaje sin detenerse hasta la parte más alta. Ponga especial cuidado y conduzca lentamente al girar cuesta abajo. Controle la velocidad y la dirección de la máquina de radio de giro cero "principalmente" con el control de velocidad/direccional (barra) del lado cuesta debajo de la máquina, es decir, mantenga la barra del lado cuesta arriba "esencialmente" en posición fija.
- Antes de dejar el asiento del operador: Desconecte la toma de fuerza (PTO), mueva las palancas de control de la transmisión del lado derecho y del lado izquierdo totalmente hacia afuera en la posición de punto muerto, aplique el freno de mano, apague el motor y quite la llave de encendido. Antes de realizar el mantenimiento o la limpieza de la máquina, espere hasta que cese totalmente el movimiento.
- Cuando se desplace hacia adelante con el tractor cortacésped no deje que las palancas de dirección vuelvan a la posición de punto muerto por sí solas. Opere las palancas de control de transmisión de forma pareja y evite realizar movimientos bruscos con las mismas al arrancar y detenerse. Sujete bien las palancas de control.
- Tenga cuidado cuando use el tractor cortacésped cerca senderos o caminos de grava. Detenga el movimiento de las cuchillas y del tractor, y espere a que pasen los vehículos antes de operar a lo largo de la ruta.
- No haga funcionar el tractor sin la plataforma de la cortadora. Si se quita la plataforma varía el equilibrio del tractor y éste podría voltearse.
- Evite operar en superficies de tracción inestables; tenga extrema precaución si la superficie es resbaladiza. Retire siempre los residuos y otros objetos del área donde se va a cortar el césped – los residuos y el césped suelto reducen la tracción.
- Úsela solamente con luz natural o con buena luz artificial.
- Observe con cuidado para detectar pozos, cabezales aspersores y otros peligros ocultos.
- Evite desplazarse demasiado cerca de árboles, arroyos, zanjas, depósitos de arena y otros obstáculos.
- Reduzca la velocidad antes de girar y deténgase completamente antes de cualquier maniobra de giro cero.
- Si golpea un objeto sólido mientras corta el césped, apague la PTO, ponga las palancas de dirección en posición abierta de punto muerto, mueva el acelerador a marcha lenta, aplique el freno de mano, apague el motor y saque la llave del interruptor de encendido. Inspeccione la máquina para ver si está dañada. Repare el daño. Compruebe que las cuchillas estén en buenas condiciones y que los pernos de las cuchillas estén bien apretados antes de volver a poner en marcha el motor.
- No detenga ni estacione el tractor sobre materiales combustibles tales como pasto u hojas secas, desechos, etc.

# FUNCIONAMIENTO

- Mantenga la cortadora de césped y especialmente el motor y los componentes hidráulicos limpios y sin grasa, pasto y hojas para reducir las posibilidades de que se prendan fuego y permitir que se enfríen de forma adecuada.
- No llene el tanque de combustible con el motor en funcionamiento o si el mismo está caliente. Deje enfriar el motor varios minutos antes de la recarga de combustible. Apriete el tapón de combustible con firmeza.

## Control de los circuitos de bloqueo de seguridad

Controle periódicamente los circuitos de bloqueo de seguridad para estar seguro de que funcionan adecuadamente. Si algún circuito de seguridad no funciona según diseño, póngase en contacto con el distribuidor para que inspeccione el tractor. NO use el tractor si algún circuito de seguridad no está funcionando adecuadamente. Para controlar los circuitos de seguridad proceda de la siguiente manera:

1. Tire del interruptor de la toma de fuerza (PTO) hacia arriba a la posición de activación. Gire el interruptor de encendido a la posición START (arranque) momentáneamente; el motor no debería intentar arrancar.
  2. Mueva las dos palancas de control totalmente hacia adentro hasta la posición de punto muerto; luego levántelas desde el asiento del operador. El motor debe dejar de funcionar.
  3. Con las dos palancas de control totalmente hacia afuera en la posición de punto muerto/con el freno de mano aplicado, active la toma de fuerza (PTO). Levántelas desde el asiento del operador; el motor se debe detener.
- Arranque el tractor y mueva las palancas de control hacia adentro hasta la posición de punto muerto. Active la PTO y mueva ambas palancas de control lentamente hasta la posición de marcha atrás lenta; con la llave en la posición NORMAL MOWING (corte normal); la PTO debería desactivarse y la plataforma de la cortadora debería detenerse.

## Antes de hacer funcionar el tractor

1. Antes de hacer funcionar el tractor, lea este manual con atención para familiarizarse con el funcionamiento de todos los instrumentos y controles. El manual se preparó con la finalidad de ayudarlo a hacer funcionar y mantener el tractor eficientemente.
2. Llene el depósito de combustible únicamente con gasolina sin plomo limpia y fresca, en un surtidor que indique un octanaje igual a 87 o más y 10% de etanol como máximo. Cuando el combustible llegue a la altura de una pulgada de la parte superior del depósito, deténgase. NO LLENE EL DEPÓSITO EN EXCESO. Debe quedar espacio para la dilatación de la gasolina.
3. Se recomienda el uso de gasolina sin plomo porque deja menos depósitos en la cámara de combustión y reduce las emisiones de escape perjudiciales. No se recomienda el uso de gasolina con plomo; no se la debe usar en los lugares en los cuales las emisiones de escape se encuentran reguladas.

**NOTA:** Compre gasolina en pequeñas cantidades. No use gasolina que haya quedado de la temporada anterior, para minimizar la formación de depósitos de goma en el sistema de combustible.

4. El gasohol (hasta 10% de alcohol etílico, 90% de gasolina sin plomo por volumen) es un combustible aprobado. No se aprueba el uso de otras mezclas de gasolina/alcohol.
5. El éter metílico terciario-butílico (MTBE) y las mezclas de gasolina sin plomo (hasta un máximo de 15% de MTBE por volumen) son combustibles aprobados. No se aprueba el uso de otras mezclas de gasolina/éter.
6. Revise el nivel de aceite del motor. Consulte el Manual del Operador del Motor para más instrucciones sobre cómo controlar el nivel del aceite del motor.
7. Limpie el filtro de aire si es necesario.
8. Controle la presión de inflado de los neumáticos. Consulte los laterales de los neumáticos para averiguar las presiones de inflado adecuadas.

**NOTA:** Los neumáticos nuevos se inflan de forma excesiva para que el reborde se asiente bien en la llanta.

9. Verifique que todas las tuercas, pernos y tornillos estén bien apretados.
10. Verifique la tensión de las correas de transmisión de la plataforma.
  - a. Extraiga la cubierta de la plataforma

- b. La tensión de las correas de la transmisión de la plataforma se mantiene mediante un mecanismo de resorte que se ajusta para corregir desgaste y estiramiento.
- c. Examine las correas para detectar si están cortadas, raídas y excesivamente desgastadas. Reemplácelas si se detecta alguno de estos problemas.
- d. Vuelva a colocar la cubierta de la plataforma.

11. Verifique que la plataforma esté nivelada. Cuando se encuentra correctamente ajustada, la plataforma de corte debe estar nivelada de lado a lado, y la parte delantera de la plataforma debe estar aproximadamente 1/4" por debajo de la parte trasera de la plataforma. Si hace falta nivelar la plataforma, consulte la sección Servicio y Mantenimiento.
12. Lubrique todos los puntos de pivote que se enumeran en la sección Servicio y Mantenimiento.
13. Ajuste el asiento para la mayor comodidad del operador, para una adecuada visibilidad y para mantener el control completo del tractor.

## Sistema de bloqueo de seguridad

Este tractor está equipado con un sistema de bloqueo de seguridad para protección del operador. Si el sistema de bloqueo funciona mal, no se debe hacer funcionar el tractor. Póngase en contacto con su distribuidor autorizado.

- El sistema de bloqueo de seguridad evita que el motor intente arrancar o arranque a menos que se muevan las palancas de control de transmisión del lado derecho y del lado izquierdo totalmente hacia afuera en posición de punto muerto (con lo que se aplica el freno de mano) y se desactiva la toma de fuerza (PTO).
- El sistema de bloqueo de seguridad apaga el motor si el operador abandona el asiento antes de que las palancas de control de transmisión del lado derecho y del lado izquierdo estén totalmente hacia afuera en la posición de punto muerto aplicando el freno de mano.
- El sistema de bloqueo de seguridad apaga el motor si el operador abandona el asiento con la toma de fuerza activada, independientemente de si las palancas de control de transmisión del lado derecho y del lado izquierdo están totalmente hacia afuera en la posición de punto muerto aplicando el freno de mano.

**NOTA:** El interruptor de la toma de fuerza (PTO) se debe mover a la posición "OFF" (apagado) para volver a arrancar el motor.
- El sistema de bloqueo de seguridad apaga la toma de fuerza (PTO) y las cuchillas de la cortadora se detienen si las dos palancas de control de transmisión se mueven a la posición de marcha atrás. Para volver a arrancar las cuchillas, se debe mover la toma de fuerza a la posición "OFF" (apagado) y luego nuevamente a la posición "ON" (encendido).

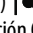

## Encendido del motor

### ADVERTENCIA

Esta unidad está equipada con un sistema de bloqueo de seguridad para protección del operador. No opere el tractor si alguna parte del sistema de bloqueo funciona mal. Controle periódicamente las funciones del sistema de bloqueo para verificar que funcionen adecuadamente.

### ADVERTENCIA

Por razones de seguridad personal, el operador debe estar sentado en el asiento del tractor al arrancar el motor.

1. El operador debe estar sentado en el asiento del tractor con las palancas de control de transmisión del lado derecho y del lado izquierdo totalmente hacia afuera en la posición de punto muerto aplicando el freno de mano.
2. Verifique que el interruptor de la toma de fuerza (PTO) se encuentre en posición desactivada (abajo).
3. Tire de la perilla del cebador (si está instalado) hacia arriba, a la posición CHOKE (cebador)  o mueva el control del acelerador/cebador (si está instalado) a la posición CHOKE (cebador) .



# FUNCIONAMIENTO

**NOTA:** Si el motor está caliente, tal vez no sea necesario cebar el motor.

5. Mueva el control del acelerador (si está instalado) hasta una distancia media entre las posiciones Velocidad lenta y Velocidad rápida.
6. Gire la llave de encendido en el sentido de las agujas del reloj hasta la posición START (encendido). Una vez que arranque el motor, suelte la llave. Volverá a la posición de NORMAL MOWING (corte normal).

## ⚠ PRECAUCIÓN

**NO mantenga la llave en la posición START (arranque) durante más de diez segundos por vez. Si lo hace, puede ocasionar daños al arrancador eléctrico del motor.**

7. Una vez que el motor se caliente, empuje la perilla del cebador hacia abajo a la posición OFF (apagado).  
**NOTA:** NO deje el control del acelerador/cebador (si está instalado) o el control del cebador (si está instalado) en la posición CHOKE (cebador) mientras opera el tractor. Si lo hace, se generará una mezcla de combustible "rica", lo cual hará que el motor no funcione bien.

## Arranque del motor en clima frío

Al arrancar el motor a temperaturas cercanas o inferiores al punto de congelamiento, asegúrese de que se use aceite de motor de viscosidad correcta y que la batería tenga carga completa. Arranque el motor de la siguiente forma:

1. Asegúrese de que la batería se encuentre en buen estado. Una batería caliente tiene una capacidad de arranque mucho mayor que una batería fría.
2. Use combustible fresco para uso invernal. La gasolina para uso invernal tiene mayor volatilidad a los efectos de mejorar el arranque. No use gasolina que le haya quedado del verano.
3. Siga las instrucciones previas para Arrancar el motor.

## Uso de cables de puente para arrancar el motor

### ⚠ ADVERTENCIA

**Las baterías contienen ácido sulfúrico y producen gases explosivos. Asegúrese de que el área esté bien ventilada, use guantes y protectores de ojos y evite chispas o llamas cerca de la batería.**

Si la carga de la batería no es suficiente para dar arranque al motor, vuelva a cargar la batería. Si no dispone de un cargador de batería y debe arrancar el tractor, puede ser necesario usar una batería de urgencia. Conecte la batería de urgencia de la siguiente forma:

1. Conecte el extremo de un cable al borne positivo de la batería del tractor que no funciona; luego conecte el otro extremo de ese cable al borne positivo de la batería de urgencia.
2. Conecte un extremo del otro cable al borne negativo de la batería de urgencia; luego conecte el otro extremo de ese cable al marco del tractor que no funciona, a la mayor distancia posible de la batería.
3. Arranque el tractor que no funciona según las instrucciones de arranque normales indicadas más arriba; luego desconecte los cables de puente en orden exactamente inverso al de la conexión.
4. Haga controlar y reparar el sistema eléctrico del tractor lo más pronto que fuere posible, para eliminar la necesidad de usar cables de puente para arrancarlo.

## Detención del motor

1. Coloque el interruptor de la toma de fuerza (PTO) en la posición OFF (apagado) (abajo).
2. Mueva las palancas de control de transmisión del lado derecho y del lado izquierdo en la posición de punto muerto aplicando el freno de mano..
3. Mueva el control del acelerador (si está instalado) o el control del acelerador/cebador (si está instalado) a la posición SLOW (velocidad lenta) y deje que el motor funcione al ralentí durante aproximadamente un minuto.

4. Gire la llave de encendido a la posición STOP (parada) y quite la llave del interruptor de encendido.

**NOTA:** Siempre quite la llave del interruptor de encendido para evitar el arranque accidental o la descarga de la batería si el equipo queda sin supervisión.

## Practique el modo de operación con el tractor (uso inicial)

Operar un tractor con radio de giro cero no es lo mismo que operar un tractor convencional. Si bien precisamente un tractor con radio de giro cero es más maniobrable, es necesario practicar la operación de las palancas de control para acostumbrarse a las mismas.

Se recomienda enfáticamente que encuentre un "área de práctica" de superficie razonable, nivelada y abierta, en la cual no haya obstrucciones, peatones ni mascotas. Debe practicar la operación del tractor durante 30 minutos por lo menos.

Lleve (o haga que alguien lleve) el tractor al área de práctica con cuidado. Cuando esté practicando, la toma de fuerza (PTO) no debe estar activada. Mientras practica, haga funcionar el tractor a aproximadamente 1/2-3/4 de aceleración y a menos de la velocidad máxima tanto en marcha adelante como en marcha atrás.

Use equipo de protección para los ojos, las manos, los oídos, los pies, las piernas, la cabeza y otras áreas del cuerpo si es necesario - anteojos de seguridad, guantes, tapones para oídos, botas, casco, etc.

## ⚠ ADVERTENCIA

**Se necesita protección auditiva para toda exposición del operador que supere las dos (2) horas.**

Ejercite cuidadosamente las maniobras con el tractor, usando las instrucciones de la sección siguiente "Conducción del tractor". Practique hasta que se sienta confiado de poder manejar el tractor con seguridad.

## Conducción del tractor

### ⚠ ADVERTENCIA

**Evite arrancar súbitamente, desarrollar excesiva velocidad y detenerse de repente.**

1. Ajuste el asiento del operador a la posición más cómoda que le permita operar los controles. Consulte la forma de hacerlo en la sección Montaje y Configuración.
2. Coloque las palancas de control de transmisión del lado derecho y del lado izquierdo hacia adentro, en posición de punto muerto. Consulte la Figura 10.

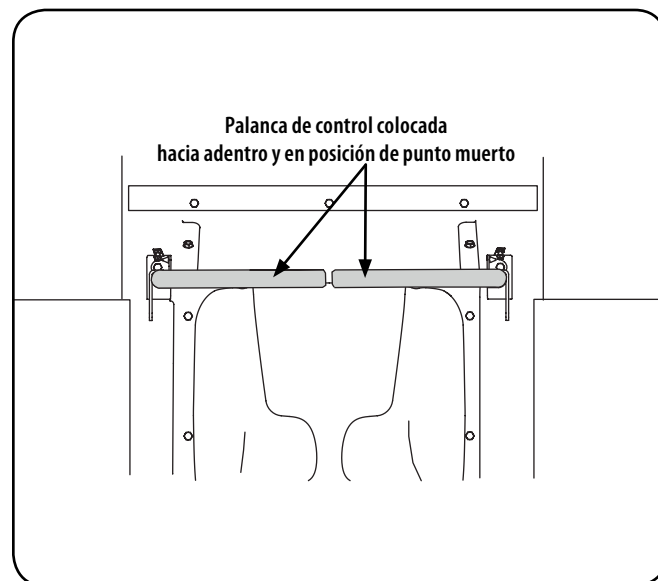


Figure 10

**NOTA:** Si las palancas de control no están niveladas en posición de punto muerto, consulte la Sección Servicio y mantenimiento para ver las instrucciones para ajustar las palancas de manera que queden niveladas.

# FUNCIONAMIENTO

3. Mueva la palanca de control del acelerador (si está equipada) o la palanca de control del acelerador/cebador hacia adelante hasta la posición de aceleración máxima.

**NOTA:** Si bien el motor del tractor se ha diseñado para funcionar a máxima aceleración, cuando practica el tractor debe funcionar a menos del máximo. Esto se aplica únicamente al funcionamiento del motor durante la práctica.

## ⚠ ADVERTENCIA

Siempre sujete las palancas de control con firmeza. **NO** suelte las palancas de control para desplazarse más despacio o para detener el tractor; lleve las palancas a la posición de punto muerto con las manos.

4. Para conducir el tractor, tome firmemente las palancas de control de la transmisión respectivas con las manos derecha e izquierda y proceda con Conducción del Tractor marcha adelante, según las instrucciones de la página siguiente.

## Conducción del tractor hacia adelante

### ⚠ ADVERTENCIA

Todos los movimientos de las palancas de control deben ser lentos y suaves. El movimiento abrupto de las palancas de control puede afectar la estabilidad del tractor y podría hacer que el tractor vuelque, con el resultado de lesiones graves o incluso la muerte del operador.

1. Mueva las palancas de control lenta y suavemente hacia adelante. El tractor comenzará a desplazarse hacia adelante. Vea la Figura 11.

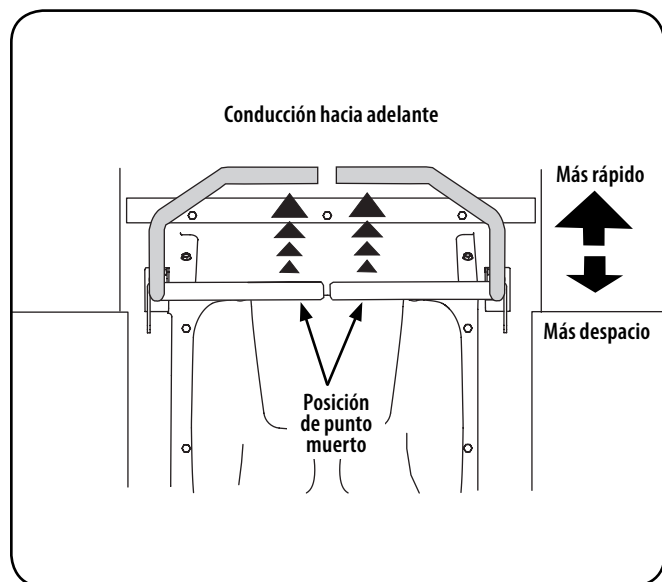


Figura 11

2. A medida que las palancas de control se empujan más hacia adelante, aumenta la velocidad del tractor.
3. Para que el tractor se desplace más lentamente, mueva la palanca de control hacia atrás hasta alcanzar la velocidad deseada, o coloque las palancas en la posición de punto muerto para detener el tractor.

### ⚠ ADVERTENCIA

Siempre tome y sujete las palancas de control con firmeza. No suelte las palancas para que el tractor se desplace con mayor lentitud ni para volver a posición de punto muerto.

## Giro con el tractor en marcha adelante

### ⚠ ADVERTENCIA

Al invertir la dirección del desplazamiento, le recomendamos que en lo posible realice giros graduales en "U". Los giros más agudos aumentan la posibilidad de que se deteriore el césped y podrían afectar el control del tractor. Conduzca SIEMPRE el tractor lentamente antes de girar en curvas cerradas.

Para que el tractor gire mientras se desplaza hacia adelante, mueva las palancas de control según sea necesario para que una palanca quede más atrás que la otra. El tractor girará en la dirección de la palanca que queda más atrás.

1. Para girar a la izquierda, mueva la palanca de control del lado izquierdo hacia atrás respecto de la palanca derecha. Vea la Figura 12.

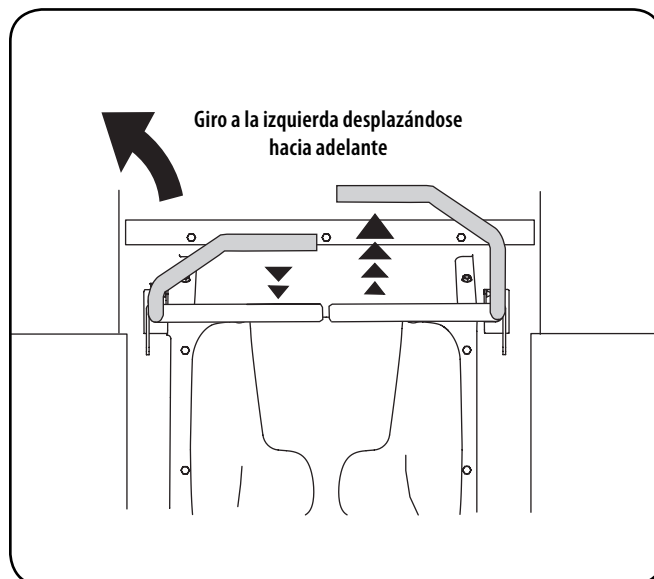


Figura 12

2. Para girar a la derecha, mueva la palanca de control del lado derecho hacia atrás respecto de la palanca izquierda. Vea la Figura 13.

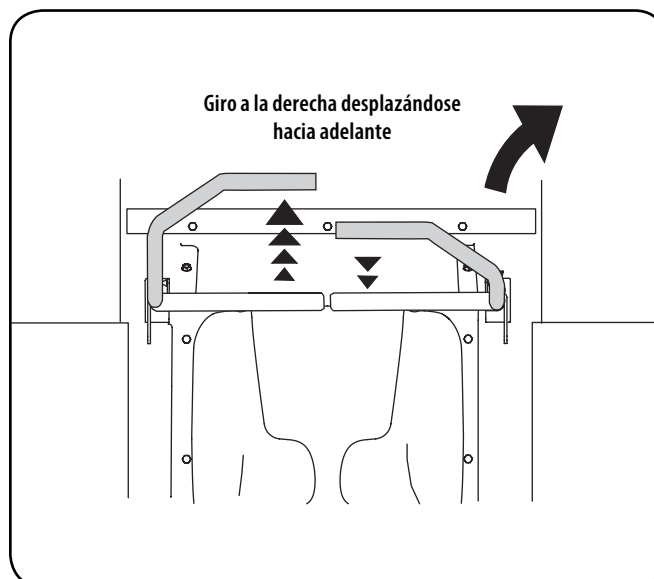


Figura 13



# FUNCIONAMIENTO

3. Cuanto mayor sea la distancia de adelante hacia atrás entre las dos palancas, más cerrado será el giro que dará el tractor.
4. Para realizar un "giro de pivote", mueva la palanca de control del lado de giro a la posición neutra, mientras mueve la otra palanca de control hacia adelante.

**NOTA:** Los "giros de pivote" sobre el pasto aumentan significativamente el potencial de que se deteriore el césped.

## Conducción del tractor en marcha atrás

### ADVERTENCIA

Siempre mire hacia atrás y hacia abajo a ambos lados del tractor antes de desplazarse marcha atrás. Siempre mire hacia atrás cuando se desplaza en marcha atrás.

1. Mueva las dos palancas de control lenta y suavemente hacia atrás. El tractor comenzará a moverse hacia atrás. Vea la Figura 14.

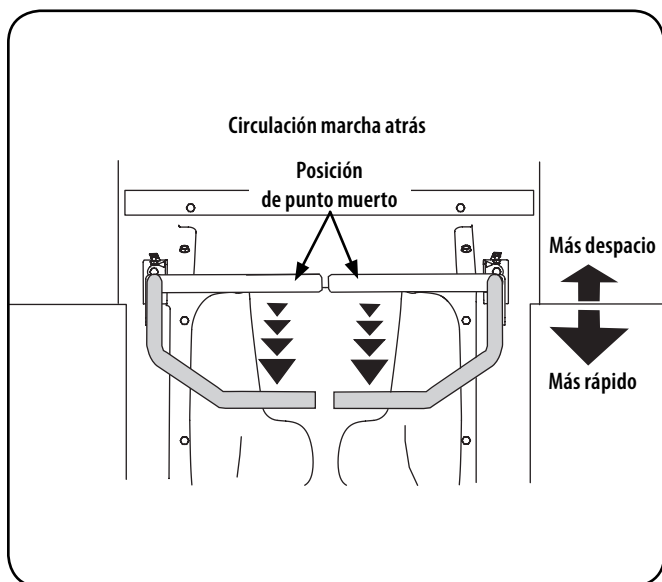


Figura 14

2. A medida que las palancas de control se empujan más hacia atrás, aumenta la velocidad del tractor.
3. Para que el tractor se desplace más lentamente, mueva la palanca de control hacia adelante hasta alcanzar la velocidad deseada, o coloque las palancas en la posición de punto muerto para detener el tractor.

## Realizar un giro mientras se conduce marcha atrás

Para que el tractor gire mientras se desplaza hacia atrás, mueva las palancas de control según sea necesario para que una palanca quede más adelante que la otra. El tractor girará en la dirección de la palanca que queda más adelante.

1. Para girar a la izquierda mientras se desplaza marcha atrás, mueva la palanca de control del lado izquierdo hacia adelante respecto de la palanca derecha. Vea la Figura 15.



Figura 15

2. Para girar a la derecha mientras se desplaza marcha atrás, mueva la palanca de control del lado derecho hacia adelante respecto de la palanca izquierda. Vea la Figura 16.

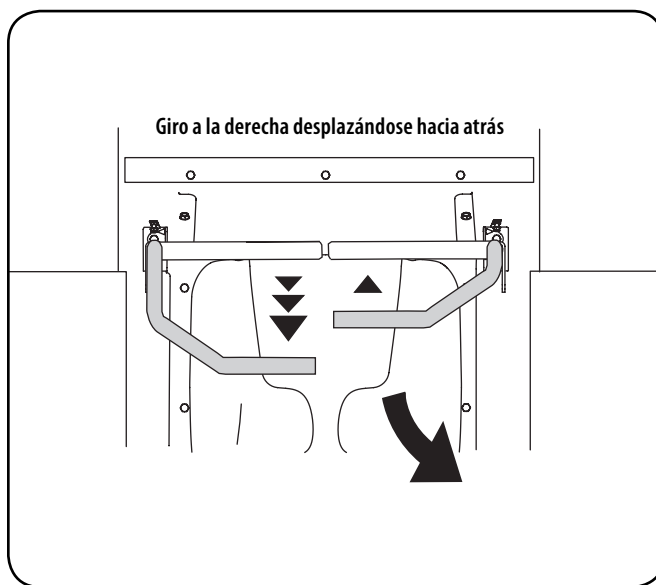



Figura 16

3. Cuanto mayor sea la distancia de adelante hacia atrás entre las dos palancas, más cerrado será el giro que dará el tractor.
  4. Para realizar un "giro de pivote", mueva la palanca de control del lado de giro a la posición de punto muerto, mientras mueve la otra palanca de control hacia atrás.
- NOTA:** Los "giros de pivote" sobre el pasto aumentan significativamente el potencial de que se deteriore el césped.


# FUNCIONAMIENTO

## Modo marcha atrás con precaución

La posición MODO DE PRECAUCIÓN EN MARCHA ATRÁS  del módulo de la llave de contacto permite operar el tractor en marcha atrás con las cuchillas (PTO) enganchadas.



**NOTA:** No se recomienda cortar el césped en marcha atrás.

### ADVERTENCIA

Tenga mucho cuidado cuando opere el tractor en MODO DE PRECAUCIÓN EN MARCHA ATRÁS . Mire siempre hacia abajo y detrás de usted antes y durante la marcha atrás. No haga funcionar el tractor cuando haya niños u otras personas cerca. Detenga el tractor inmediatamente si alguien ingresa al área.

Para utilizar el MODO DE PRECAUCIÓN EN MARCHA ATRÁS :

**NOTA:** El operador DEBE estar sentado en el asiento del tractor.

1. Arranque el motor según las instrucciones de la página anterior.
2. Gire la llave desde la posición de PODA NORMAL  (verde) hasta la posición de MODO DE PRECAUCIÓN EN MARCHA ATRÁS  (amarillo) del módulo del interruptor de llave. Vea la Figura 17.

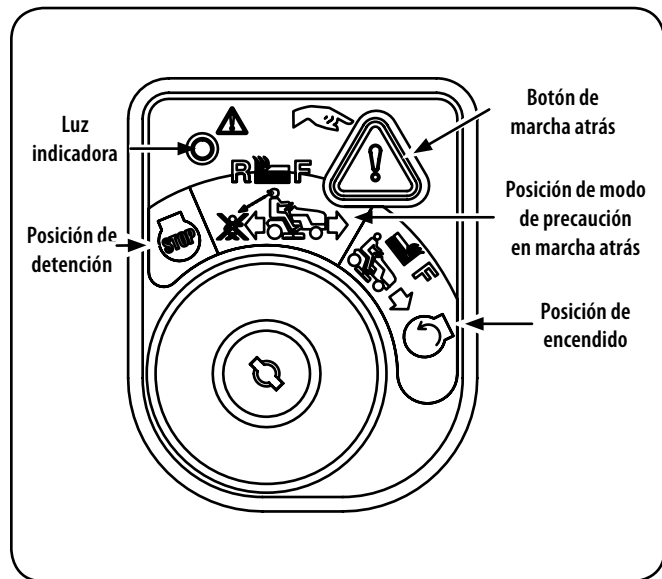
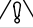


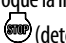


Figura 17

3. Presione el BOTÓN DE MARCHA ATRÁS  (botón triangular de color naranja) en la esquina superior derecha del módulo del interruptor de llave. La luz indicadora roja en la esquina superior izquierda del módulo del interruptor de llave se mantiene encendida (ON) mientras esté activado. Vea la Figura 17.
4. Una vez activada (luz indicadora ENCENDIDA), el tractor podrá operar en marcha atrás con las cuchillas de corte (PTO) acopladas.
5. Siempre mire hacia abajo y hacia atrás antes y mientras se desplaza marcha atrás, para verificar que no haya niños cerca. Una vez retomado el movimiento hacia adelante, vuelva a colocar la llave en la posición NORMAL MOWING  (corte normal).

El MODO DE PRECAUCIÓN EN MARCHA ATRÁS  permanece activado hasta que:

- a. Se coloque la llave en la posición CORTE NORMAL  o en la posición STOP  (detención) o
- b. El operador deja el asiento.

## Giro de radio cero

### ADVERTENCIA

Para realizar un giro de radio cero, el tractor SE DEBE DETENER. La realización de un giro de radio cero con el tractor en movimiento puede reducir significativamente el grado de control que se tenga sobre el mismo, y dará lugar a un grave deterioro del césped.

1. Detenga el movimiento del tractor hacia adelante o hacia atrás colocando las dos palancas de control en punto muerto.
2. Para girar en el sentido de las agujas del reloj, mueva la palanca de control del lado izquierdo hacia adelante mientras mueve simultáneamente la palanca de control derecha hacia atrás. Vea la Figura 18.

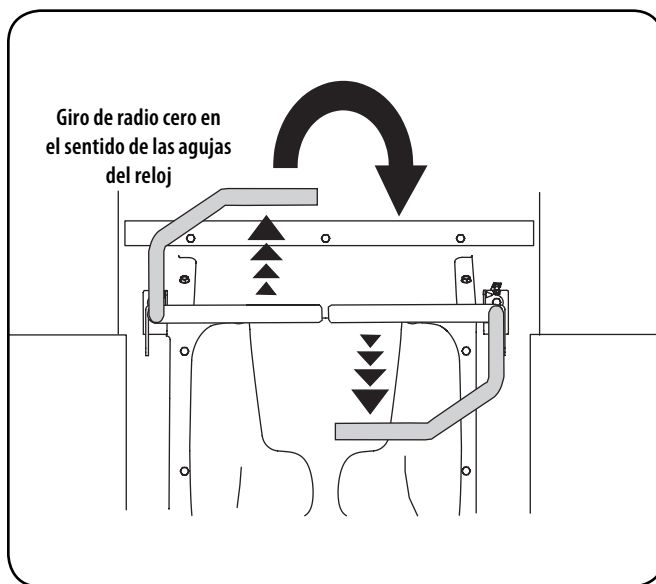


Figura 18

3. Para girar en sentido contrario a las agujas del reloj, mueva la palanca de control del lado derecho hacia adelante mientras mueve simultáneamente la palanca de control izquierda hacia atrás. Vea la Figura 19.

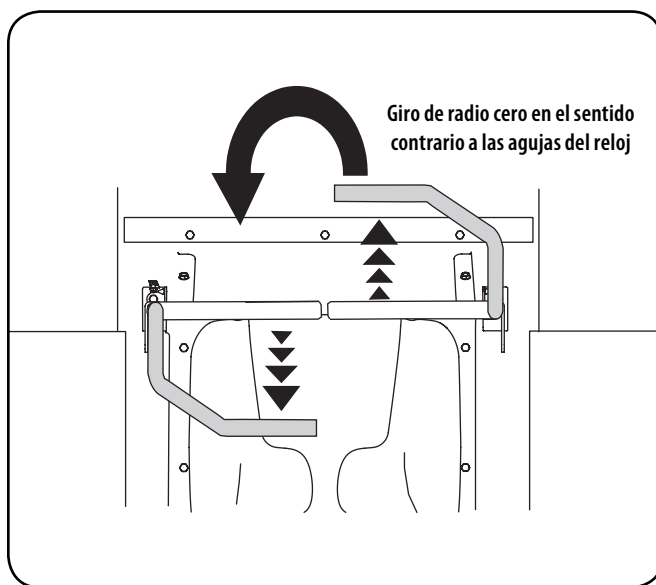


Figura 19

# FUNCIONAMIENTO

## Realización de una maniobra en "Y"

Cuando existen condiciones de baja tracción, realice estos procedimientos para realizar giros de radio cero (la "maniobra en Y"):

Para girar en el sentido de las agujas del reloj (el frente de la máquina se mueve hacia el lado DERECHO) al desplazarse HACIA ADELANTE:

1. Detenga el tractor
2. Luego mueva lentamente las barras de seguridad hacia atrás (sin superar la mitad de la velocidad máxima marcha atrás) para iniciar el desplazamiento MARCHA ATRÁS,
3. Luego mueva lentamente la barra de seguridad IZQUIERDA hacia adelante mientras mantiene la barra de seguridad DERECHA en la posición de desplazamiento hacia atrás.
4. Para detener el giro y reiniciar el desplazamiento HACIA ADELANTE, mueva lentamente la barra de seguridad DERECHA de la posición de desplazamiento MARCHA ATRÁS a una posición de desplazamiento HACIA ADELANTE igual a la de la barra de seguridad IZQUIERDA.
5. Para giros en sentido contrario a las agujas del reloj, realice el procedimiento a la inversa.

## Detención del tractor

1. Mueva las dos palancas de control a la posición de punto muerto para detener el movimiento del tractor.
2. Oprima la perilla de la toma de fuerza (PTO) hacia abajo a la posición desactivada.
3. Use la manija de elevación de la plataforma para elevarla a la posición más alta al oprimir el botón que está en el extremo de la manija y al tirar hacia arriba. Compruebe que la traba se enganche en el pasador. Vea la Figura 20.

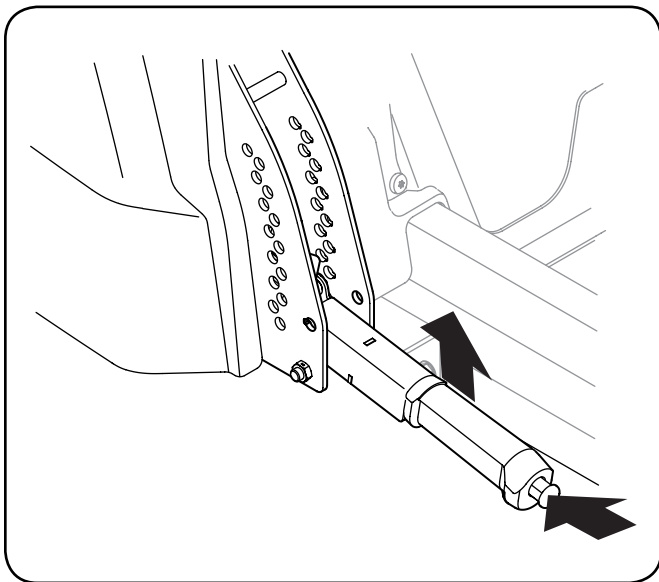


Figura 20

4. Si desciende del tractor, mueva las palancas de control totalmente hacia afuera en la posición de punto muerto, activando el freno de mano, mueva la palanca de control del acelerador a la posición de aceleración intermedia o SLOW (velocidad lenta), gire el interruptor de encendido a la posición de detención y retire la llave del interruptor.

## ADVERTENCIA

Para abandonar el asiento del tractor primero debe desactivar la toma de fuerza (PTO); colocar las palancas de control de transmisión totalmente hacia afuera en posición de punto muerto y aplicar el freno de mano. Si deja el tractor sin vigilancia, apague el motor girando la llave de encendido y retírela.

## Operación en pendiente

Consulte indicador de pendiente en la Sección Funcionamiento Seguro para determinar en qué pendientes no puede operar el tractor de manera segura.

## ADVERTENCIA

No utilice la unidad en pendientes con una inclinación mayor de 15 grados (elevación aproximada de 2-1/2 pies cada 10 pies). El tractor podría voltearse y causar lesiones graves.

1. Siempre conduzca el tractor de forma transversal a la pendiente, nunca hacia arriba y hacia abajo. Controle la velocidad y la dirección del tractor usando principalmente la palanca de control del lado del tractor que queda 'cuesta abajo', mientras que la palanca de control del lado 'cuesta arriba' permanece esencialmente fija.
2. En lo posible evite girar cuesta abajo. Comience en la base de la pendiente y opere cuesta arriba. Siempre reduzca la velocidad antes de dar la vuelta.
3. Ponga especial cuidado y conduzca lentamente al girar cuesta abajo.

## Funcionamiento de la toma de fuerza PTO

Opere el embrague de la toma de fuerza (PTO) de la siguiente forma:

**NOTA:** Durante sus unidades de quiebre en periodo inicial, con el fin de involucrar a la toma de fuerza y evitar cala el motor, deje que el motor se caliente antes de iniciar la toma de fuerza. Período de Break- En varía dependiendo de su motor.

1. Mueva la palanca de control del acelerador en la posición RÁPIDO.
2. Tire de la perilla de la toma de fuerza (PTO) hacia arriba a la posición ENGAGED (activada).
3. El operador debe permanecer sentado en el tractor en todo momento. Si el operador debe abandonar el asiento sin desactivar la toma de fuerza, se apagará el motor del tractor.
4. No se puede utilizar el embrague de la toma de fuerza (PTO) cuando el tractor se desplaza marcha atrás. La PTO se desactivará cuando se desplazan ambas palancas de control de la transmisión hasta la posición de marcha atrás y volverá a activarse cuando se desplace una (o ambas) palanca de control a la posición de punto muerto o de marcha adelante.

## Corte de césped

## ADVERTENCIA

Asegúrese de que el área donde se va a cortar esté libre de desechos, ramitas, piedras, cables u otros objetos que puedan ser arrojados por las cuchillas rotativas.

**NOTA:** No active la plataforma de corte cuando esté baja sobre el pasto. Se produce el desgaste prematuro y la posible falla de la correa en "V" y del embrague de la toma de fuerza (PTO). Antes de activar la plataforma de corte, levante totalmente la plataforma o lleve la máquina a un área donde no haya césped.

1. Corte de forma transversal a la pendiente, no hacia arriba ni hacia abajo. Si corta el césped en pendiente, comience por la base y desplácese hacia arriba para asegurar que siempre se gire cuesta arriba.
2. Al realizar la primera pasada elija un punto del lado opuesto del área a cortar.
3. Active la toma de fuerza (PTO) y mueva el control del acelerador a la posición FAST (velocidad rápida).
4. Baje la plataforma de corte al ajuste de altura deseado usando la manija de elevación de la plataforma.
5. Empuje las palancas de control del lado derecho y del lado izquierdo lentamente y de forma pareja hacia adelante para que el tractor avance hacia adelante, y mantenga la orientación del tractor en línea recta hacia el punto de alineación.

**NOTA:** La velocidad del tractor afecta la calidad del corte que realiza la cortadora. Si realiza el corte a máxima velocidad la calidad se ve afectada negativamente. Controle la velocidad absoluta con las palancas de control.

# FUNCIONAMIENTO

6. Cuando se acerque al otro extremo de la franja, reduzca la velocidad o deténgase antes de girar. Se recomienda realizar un giro en U a menos que sea necesario realizar un giro de radio cero.
7. Alinee la cortadora de césped con un borde de la franja cortada y superponga la pasada aproximadamente 3 pulgadas.
8. Oriente el tractor en cada franja subsiguiente de modo que se alinee con la franja ya cortada.
9. Para evitar la formación de surcos o ranuras en el césped, en lo posible varíe la dirección de las franjas de corte aproximadamente 45° en cada corte subsiguiente.

## ADVERTENCIA

Tenga sumo cuidado al atravesar senderos de grava o caminos de acceso. Desactive la toma de fuerza (PTO) y levante la plataforma hasta la posición más alta antes de cruzar.

**NOTA:** Siempre que detenga el tractor por cualquier razón en un área de césped, haga lo siguiente:

- Coloque las palancas de control en la posición de punto muerto/con freno de mano aplicado,
- Apague el motor y retire la llave.
- Eso permitirá reducir al mínimo la posibilidad de que su césped resulte "quemado" por el escape caliente del motor en funcionamiento.

## Palanca de elevación de la plataforma

Para levantar o bajar la plataforma de corte, oprima el botón que está en el extremo de la manija y empújela hacia abajo para bajar la plataforma o tire hacia arriba para levantarla, luego ubíquela en el orificio más adecuado para su aplicación. Para ubicar la plataforma en la posición de transporte, eleve la manija completamente y enganche el gancho superior en la palanca del espaciador superior del soporte de posicionamiento de la altura de la plataforma. Vea la Figura 21.

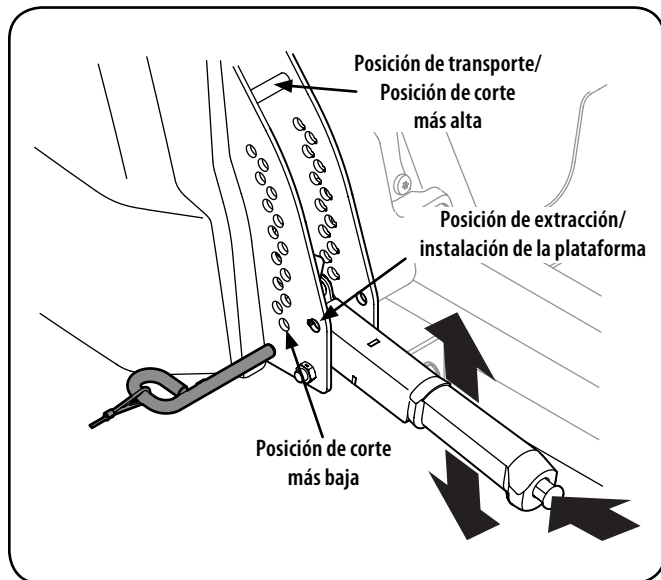


Figura 21

**NOTA:** Compruebe que la plataforma esté bien sujeta y que se haya insertado completamente el pasador en el posicionamiento de la altura de la plataforma. El pasador se sujeta para ayudar a mantenerlo en su lugar y entra en los orificios ranurados del mecanismo de posicionamiento de la altura de la plataforma.

**NOTA:** la manija de elevación de la plataforma siempre debe estar por encima del pasador, nunca cuelgue la manija de elevación de la plataforma del pasador cuando corte el césped.

# SERVICIO Y MANTENIMIENTO

## PROGRAMA DE MANTENIMIENTO

### ADVERTENCIA

Antes de realizar cualquier tipo de mantenimiento o servicio, desactive todos los controles y detenga el motor. Espere a que se detengan completamente todas las piezas móviles. Desconecte el cable de la bujía y póngalo haciendo masa contra el motor para evitar que se encienda accidentalmente. Utilice siempre anteojos de seguridad durante el funcionamiento o mientras ajusta o repara este equipo.

Siga el cronograma de mantenimiento que se presenta a continuación. Esta tabla sólo describe pautas de servicio. Utilice la columna Registro de Servicio para hacer el seguimiento de las tareas de mantenimiento completadas.

**Llame al 1-888-331-4569 para programar el servicio del servicio de piezas y reparaciones de Sears.**

Intervalo	Artículo	Servicio	Registro de servicio
Cada uso	<ol style="list-style-type: none"> <li>Las Pantallas de Entrada de Motor y los Ventiladores de Enfriamiento *</li> <li>El Colector de Escape, el Silenciador y los Escudos del Silenciador *</li> <li>La Campana/Tablero Tableros *</li> <li>La parte superior y la parte inferior de la cubierta, debajo y alrededor de las cubiertas del eje y el área de la correa *</li> <li>Alrededor de los fusibles, el cableado y los arneses de cableado *</li> <li>Alrededor de la transmisión, el eje y los ventiladores *</li> <li>Aceite del motor</li> <li>Filtro de aire</li> </ol>	<ol style="list-style-type: none"> <li>Verificar/limpiar</li> <li>Verificar/limpiar</li> <li>Verificar/limpiar</li> <li>Verificar/limpiar</li> <li>Verificar/limpiar</li> <li>Verificar/limpiar</li> <li>Verificar</li> <li>Verificar</li> </ol>	
Después de las primeras 5 horas	<ol style="list-style-type: none"> <li>Aceite del motor</li> </ol>	<ol style="list-style-type: none"> <li>Cambio (período de asentamiento). Consulte el manual del motor</li> </ol>	
Cada 10 horas	<ol style="list-style-type: none"> <li>Bornes de las baterías</li> <li>Puntos de lubricación</li> <li>Cuchillas</li> <li>Neumáticos</li> <li>Ruedas delanteras</li> <li>Plataforma</li> </ol>	<ol style="list-style-type: none"> <li>Limpiar</li> <li>Engrasar</li> <li>Verificar/Afilar/Reemplazar según sea necesario</li> <li>Verificar</li> <li>Lubricar</li> <li>Verificar/Limpiar</li> </ol>	
Cada 25 horas	<ol style="list-style-type: none"> <li>Ruedas de la plataforma</li> <li>Nivel/inclinación de la plataforma</li> <li>Husillos de plataforma</li> </ol>	<ol style="list-style-type: none"> <li>Inspeccionar y lubricar</li> <li>Verificar</li> <li>Lubricar</li> </ol>	
Cada 50 horas	<ol style="list-style-type: none"> <li>Correas y poleas</li> <li>Aceite del motor</li> <li>Filtro de aceite</li> <li>Filtro de aire</li> <li>Filtro de combustible</li> </ol>	<ol style="list-style-type: none"> <li>Verificar para detectar desgaste o daños</li> <li>Cambiar (Consulte el manual del motor)</li> <li>Reemplazar (Consulte el manual del motor)</li> <li>Limpiar o cambiar (Consulte el manual del motor).</li> <li>Reemplazar (Consulte el manual del motor)</li> </ol>	
Cada 100 horas	<ol style="list-style-type: none"> <li>Herrajes</li> <li>Estado/separación de las bujías</li> </ol>	<ol style="list-style-type: none"> <li>Verificar</li> <li>Verificar (Consulte el manual del motor)</li> </ol>	
Cada temporada/ antes de almacenar	<ol style="list-style-type: none"> <li>Filtro de admisión</li> <li>Ventiladores de enfriamiento del motor</li> <li>Bornes de las baterías</li> <li>Puntos de lubricación</li> <li>Cuchillas</li> <li>Neumáticos</li> <li>Ruedas delanteras</li> <li>Plataforma</li> <li>Ruedas de la plataforma</li> <li>Nivel/inclinación de la plataforma</li> <li>Husillos de plataforma</li> <li>Estado/separación de las bujías</li> <li>Aceite del motor</li> <li>Filtro de aceite</li> </ol>	<ol style="list-style-type: none"> <li>Verificar/Limpiar</li> <li>Verificar/Limpiar</li> <li>Limpiar</li> <li>Engrasar</li> <li>Verificar/Afilar/Reemplazar según sea necesario</li> <li>Verificar</li> <li>Lubricar</li> <li>Verificar/Limpiar</li> <li>Inspeccionar y lubricar</li> <li>Verificar</li> <li>Lubricar</li> <li>Verificar (Consulte el manual del motor)</li> <li>Cambiar (Consulte el manual del motor)</li> <li>Reemplazar (Consulte el manual del motor)</li> </ol>	
Varios	<ol style="list-style-type: none"> <li>Holgura de la válvula *</li> </ol>	<ol style="list-style-type: none"> <li>Verificación y ajuste *</li> </ol>	

\* -- Realice la mayoría de las veces en condiciones secas y / o cuando esté cubriendo con mantillo

^ -- Haga que este artículo lo realice un distribuidor de servicio calificado

# SERVICIO Y MANTENIMIENTO

## ⚠ ADVERTENCIA

Antes de realizar tareas de mantenimiento o reparaciones, desconecte la toma de fuerza (PTO), mueva las palancas de control totalmente hacia afuera hasta la posición de punto muerto, coloque el freno de mano, apague el motor y retire la llave, para evitar el encendido accidental del motor.

## Después de la operación del tractor Cuidado

Después de cada operación del tractor, los siguientes procedimientos deben ser implementados para extender la vida útil de su tractor y garantizar condiciones seguras de operación.

## ⚠ PELIGRO

El incumplimiento de estas recomendaciones puede provocar lesiones graves a sí mismo o a otros y puede causar daños en el tractor.

## Limpieza de la parte inferior del piso

Uso del sistema de lavado de la plataforma

## ⚠ ADVERTENCIA

Cuando use el sistema de lavado de la plataforma, nunca enganche la plataforma desde otra posición que no sea la del asiento del operador del tractor. No use un asistente ni active la plataforma en presencia de ningún observador.

1. Una el adaptador del pico a una manguera de jardín estándar conectada al suministro de agua.
2. Desplace el tractor a un área al alcance de la manguera, en la cual la dispersión de recortes de pasto húmedo sea aceptable para usted. Desconecte la toma de fuerza (PTO), aplique el freno de mano y detenga el motor.
3. Tire hacia atrás el collarín de ajuste (a) del adaptador del pico (b) y empuje el adaptador del pico (b) hacia uno de los picos de lavado de la plataforma (c) de cualquiera de los dos extremos de la plataforma de corte. Suelte el collarín de ajuste (a) para trabar el adaptador en el pico (b) en el pico de lavado de la plataforma (c). Consulte Figure 22.

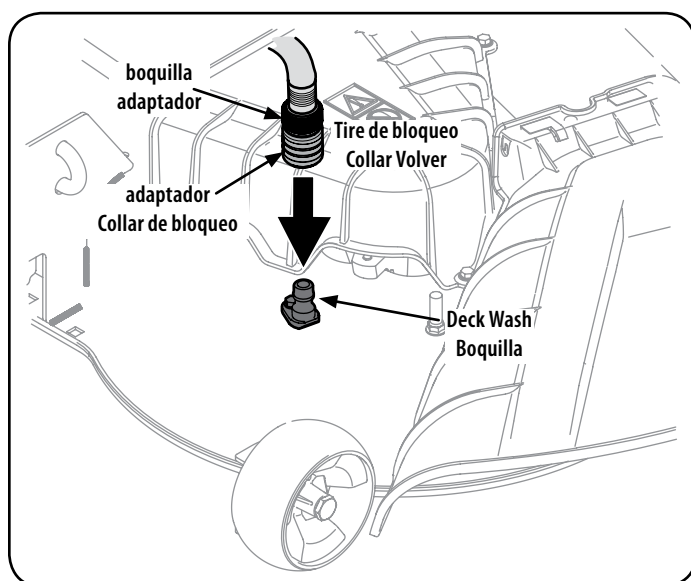


Figure 22

4. Abra el suministro de agua.
5. Desde el asiento del operador del tractor, encienda el motor y enganche la potencia de arranque (PTO). Deje funcionar según sea necesario. Desactive la toma de fuerza (PTO) y detenga el motor.
6. Cierre el suministro de agua.
7. Tire del collarín de ajuste (a) del adaptador del pico (b) hacia atrás para desconectar el adaptador del pico (b) del pico de lavado de la plataforma (c).
8. Repita los pasos anteriores para limpiar la plataforma usando el pico (c) del otro extremo de la plataforma.

## Limpieza del tractor

## ⚠ ADVERTENCIA

Si el tractor ha sido recientemente funcionar, el motor, el silenciador y las superficies metálicas circundantes estarán calientes y pueden causar quemaduras en la piel. Deje que el motor se enfríe durante al menos cinco minutos la precaución para evitar quemaduras.

Su tractor debe limpiarse después de cada uso y bajo ciertas condiciones, es decir, condiciones secas y/o situaciones de picado, de limpieza adicional puede ser necesario.

Una de las mejores maneras de mantener su tractor funcionando de manera eficiente y para reducir el riesgo de incendio es eliminar la acumulación de basura con regularidad desde el tractor. Siga las recomendaciones a continuación y póngase en contacto con su distribuidor autorizado con cualquier pregunta.

- Deje que la máquina se enfríe en un área abierta antes de la limpieza.
- No use agua en cualquier parte del tractor, excepto la parte inferior de la plataforma de corte. Si lo hace, puede provocar daños en los rodamientos para husillos del tractor, el sistema eléctrico y el motor, lo que lleva a fallas prematuras. El uso de aire comprimido y / o soplador de hojas se ayudará a mantener limpio el tractor.
- Clean bajo el capó. Colector de escape, alrededor de fusibles, todo el cableado y arneses, tubo silenciador, escudo de silenciador, pantallas de admisión del motor y las aletas de refrigeración, etc. Vea la Figure 23.

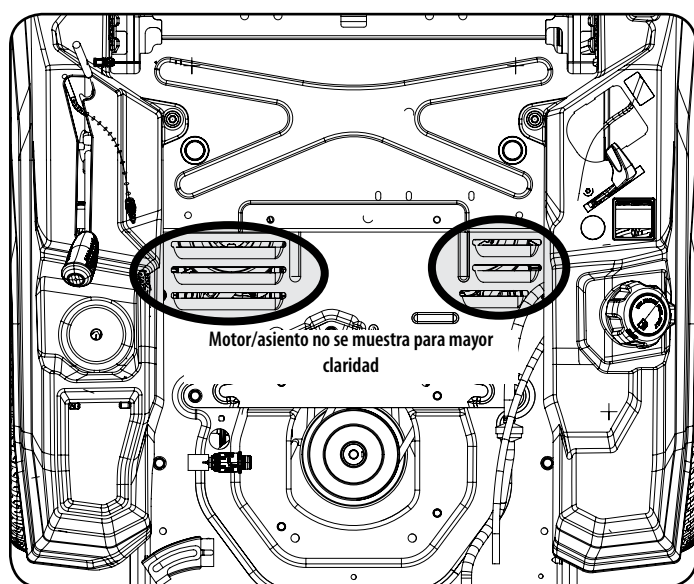


Figure 23



# SERVICIO Y MANTENIMIENTO

- Limpiar la parte superior de la plataforma de corte, bajo las sábanas de husillo y área de la correa. Vea la Figure 24.

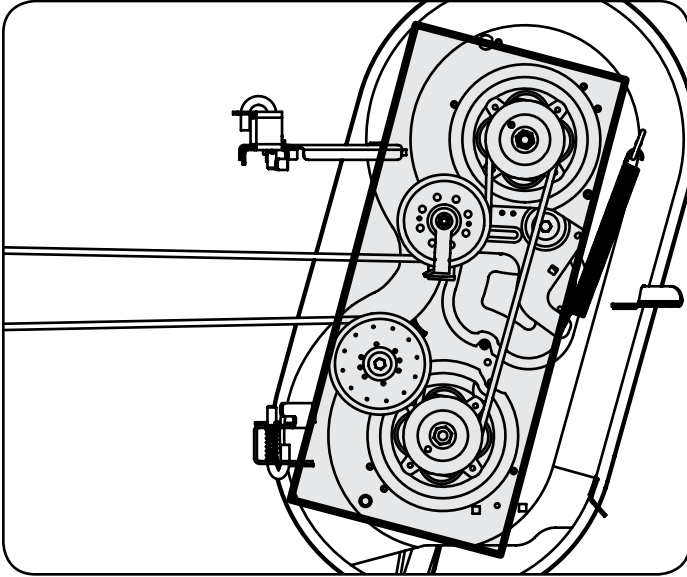


Figure 24

- Limpia alrededor y cerca de la transmisión, el eje y el área del ventilador. Vea la Figure 25.

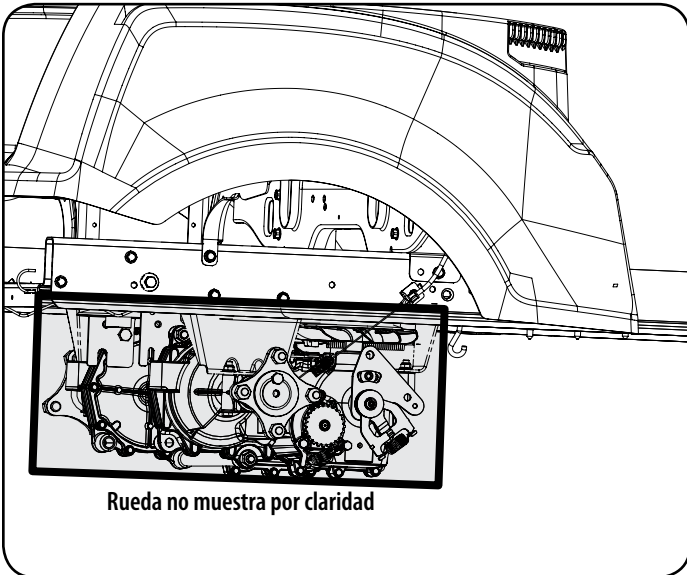


Figure 25

- Los residuos pueden acumularse en cualquier lugar en el tractor, especialmente en superficies horizontales. Limpieza adicional puede ser necesaria cuando la siega en condiciones secas o cuando acolchado.
- Fugas de combustible / derrames, fugas de aceite / derrames y el exceso de lubricación también pueden convertirse en sitios de colecciones de escombros. Inmediata reparación y limpieza de derrames de aceite o combustible puede ayudar a reducir los riesgos de incendio.
- Además de limpiar el tractor, antes de manejar y almacenar, no intente cortar inusualmente alto (10" o superior), la hierba seca (por ejemplo, pasto) o pilas de hojas secas. Hierba u hojas en seco pueden ponerse en contacto con los gases de escape del motor y / o acumularse en la plataforma de corte en un peligro de incendio.

## Almacenamiento del tractor

- Deje que la máquina se enfríe en un área abierta antes de guardarlo.
- No estacione el tractor cerca de materiales inflamables (madera, tela o productos químicos) o cualquier llama abierta u otra fuente potencial de ignición (horno, calentador de agua o cualquier otro tipo de calentador).
- Retire todos los materiales combustibles desde el tractor antes de guardarla. Cajas de carga vacíos, recogedores de hierba y contenedores.
- Siempre cerrar el flujo de combustible cuando almacenar o transportar si tractor está equipado con un cierre de combustible.
- Compruebe el sistema de combustible (líneas, el tanque, tapa y accesorios) con frecuencia grietas o fugas. Reparación y limpiar como sea necesario.

## Mantenimiento del motor

Consulte las instrucciones y procedimientos de mantenimiento del motor en el Manual del Propietario/Operador Kohler.

## Cambio de aceite del motor

### ⚠ ADVERTENCIA

Si el motor ha estado en funcionamiento recientemente, el motor, el silenciador y las superficies metálicas circundantes estarán calientes y pueden causar quemaduras en la piel. Tenga precaución para evitar quemaduras.

Para realizar el cambio de aceite, proceda de la siguiente manera:

9. Haga funcionar el motor por un período corto para calentar el aceite del motor. El aceite fluirá mejor y limpiará las impurezas. Tenga cuidado y evite quemarse con el aceite caliente.
10. Ubique el orificio de drenaje de aceite del lado izquierdo del motor. Vea la Figura 26.

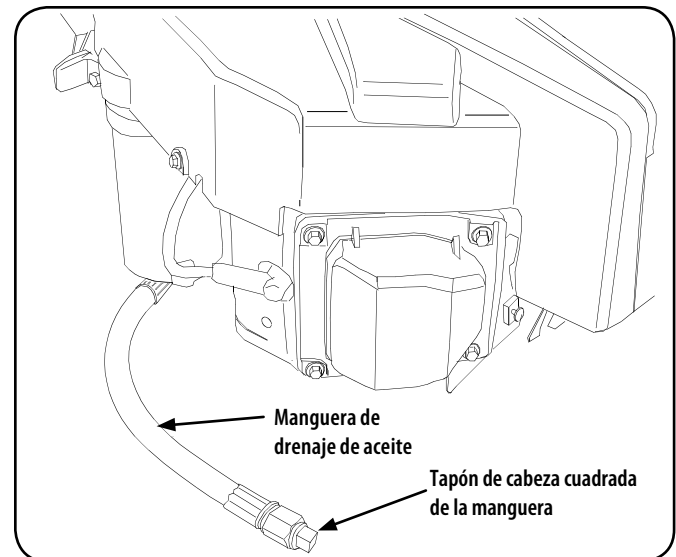


Figure 26

11. Coloque el extremo libre de la manguera de drenaje de aceite en un depósito de recolección de aceite adecuado que posea una capacidad de por lo menos 2.5 cuartos de galón (2.4 litros) para recoger el aceite usado. Retire el tapón de llenado de aceite/la varilla de nivel de aceite del tubo de llenado.
12. Mientras sostiene el extremo libre de la manguera de drenaje de aceite sobre el recipiente de recolección de aceite, desatornille el tapón de la manguera del extremo de la manguera. Vea la Figura 26. Drene el aceite del motor dentro del recipiente.
13. Coloque el extremo libre de la manguera de drenaje de aceite en un depósito de recolección de aceite adecuado que posea una capacidad de por lo menos 2.5 cuartos de galón (2.4 litros) para recoger el aceite usado.



# SERVICIO Y MANTENIMIENTO

14. Una vez que se haya terminado de drenar el aceite, reemplace el tapón de manguera de cabeza cuadrada y llene el motor como se indica en el manual del propietario del motor. Para conocer la capacidad de aceite, consulte el manual del propietario del motor que se incluye con el tractor.

## Mantenimiento de los neumáticos

Controle la presión de aire de los neumáticos cada 50 horas de operación o una vez por semana. Mantenga los neumáticos inflados a las presiones recomendadas. El inflado inadecuado de un neumático reduce su vida útil. Consulte los laterales de los neumáticos para averiguar las presiones de inflado adecuadas. Respete las siguientes pautas:

- No infle los neumáticos por encima de la presión máxima que se muestra en el lateral del neumático.
- No vuelva a inflar un neumático que se ha utilizado desinflado o desinflado en extremo. Un gomero calificado debe inspeccionar y reparar el neumático.

## Lubricación

- Con una pistola de lubricación a presión, lubrique los ejes de las ruedas pivotantes delanteras y el eje de pivote delantero con grasa de litio multifunción No. 2 cada 10 horas de servicio.
- Lubrique periódicamente todos los otros puntos de pivote, por ejemplo, el soporte de pivote del asiento, el soporte de polea loca de la plataforma, el conjunto del eje de elevación de la plataforma, etc. con un aceite lubricante de calidad.

## Limpieza y lubricación de las poleas del husillo

Una vez por mes retire las cubiertas de la correa para quitar cualquier acumulación de recortes de césped que haya alrededor de las poleas del husillo y de la correa en 'V'. Limpie con mayor frecuencia si corta césped alto y seco.

Cada 25 horas, lubrique los husillos de la plataforma. Ubique los accesorios de lubricación de los husillos y, con una pistola de engrase, lubrique los husillos. El husillo tiene capacidad para 2.3 onzas de grasa. Vea la Figura 27.

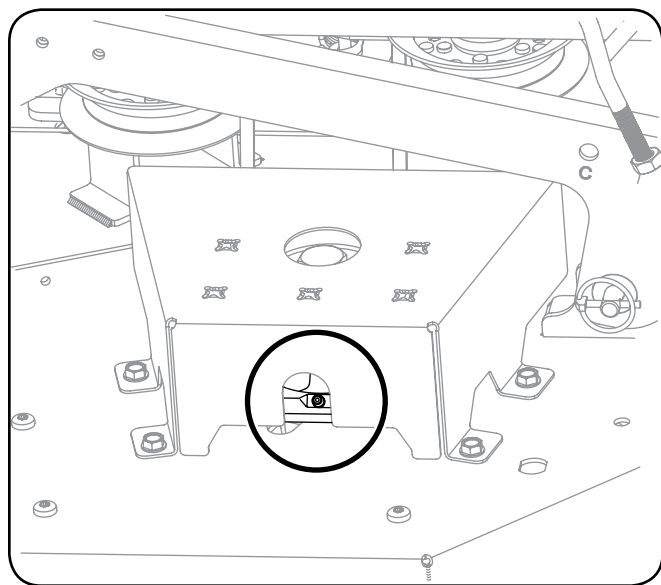


Figura 27

## Información general sobre la batería

### ⚠ ADVERTENCIA

En caso de que se produzca una salpicadura accidental de ácido en los ojos o la piel, enjuague el área afectada inmediatamente con agua limpia fría. Si tiene algún malestar adicional, consulte un médico inmediatamente. Si el ácido salpica la ropa, en primer lugar dilúyalo con agua limpia, luego neutralícelo con una solución de agua/amoniaco o bicarbonato/agua.

### ⚠ ADVERTENCIA

NUNCA conecte (o desconecte) las abrazaderas del cargador de la batería a la batería si el cargador está encendido, ya que puede causar chispas. Mantenga todas las fuentes de combustión (cigarrillos, cerillas, encendedores) lejos de la batería. El gas generado durante la carga puede ser combustible. Como precaución adicional, cargue la batería únicamente en un área bien ventilada. Siempre proteja sus ojos y su piel y vestimenta cuando trabaje cerca de baterías.

### ⚠ ADVERTENCIA

Las baterías contienen ácido sulfúrico y pueden producir gases explosivos. Tenga extremo cuidado cuando manipule baterías. Mantenga las baterías lejos del alcance de los niños.

## Mantenimiento de la batería

La batería se llena con ácido de batería y se sella en fábrica. Sin embargo, para asegurar un ciclo de vida adecuado es necesario realizar cierto mantenimiento en la batería, aún en el caso de las baterías 'sin mantenimiento'.

- Rocíe los bornes y el cable expuesto con un sellador de bornes de batería, o recubra los bornes con una capa delgada de grasa o vaselina para protegerlos contra la corrosión.
- Siempre mantenga limpios y libres de corrosión los cables y los bornes de la batería.
- Evite inclinar la batería. Hasta una batería sellada pierde electrolito si se la inclina.

# SERVICIO Y MANTENIMIENTO

## Retiro de la batería

### ⚠ ADVERTENCIA

Los postes, bornes y accesorios de la batería contienen plomo y compuestos de plomo. Lávese las manos después de estar en contacto con estos componentes.

La batería está ubicada debajo del marco del asiento. Para retirar la batería:

1. Extraiga el tornillo de la arandela hexagonal que sujeta el soporte de sujeción de la batería al marco. TLuego levante el soporte de sujeción de la batería para liberar la batería. Vea la Figura 28.

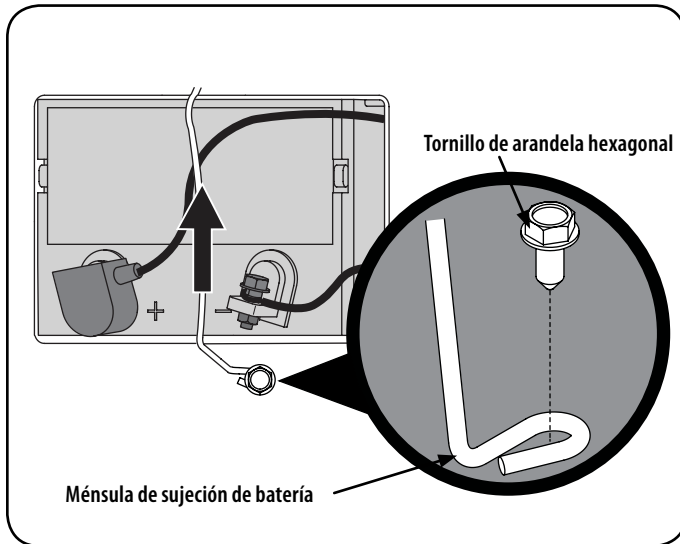


Figura 28

2. Retire el tornillo hexagonal y la tuerca Sems que fijan el conductor negativo negro de la batería al borne negativo de la batería (marcado 'NEG'). Aleje el cable del borne negativo de la batería.
3. Retire el tornillo hexagonal y la tuerca Sems que fijan el conductor positivo rojo de la batería al borne positivo de la batería (marcado 'POS').
4. Levante con cuidado la batería para sacarla del tractor.
5. Instale la batería repitiendo los pasos anteriores en orden inverso.

### ⚠ ADVERTENCIA

Siempre conecte el conductor positivo a la batería antes de conectar el conductor negativo. Esto evita la generación de chispas o posibles lesiones producidas por un cortocircuito eléctrico causado por el contacto del cuerpo del tractor cortacésped con las herramientas que se usan para conectar los cables.

## Carga de la batería

1. Si el tractor cortacésped ha estado guardado durante un tiempo, pruebe la batería y, si es necesario, recárguela.

2. Un voltímetro o medidor de carga debería dar una lectura de 12.6 voltios (CC) o más en todos los bornes de la batería. Vea la Figura 29.

Lectura del voltímetro	Estado de la carga	Tiempo de carga
12.7	100%	Carga completa
12.4	75%	90 Minutos
12.2	50%	180 Minutos
12.0	25%	280 Minutos

Figura 29

3. Cargue la batería con un cargador de batería de 12 voltios a un MÁXIMO de 10 amperios.

## Mantenimiento del sistema eléctrico

El tractor cortacésped tiene instalado un fusible para proteger el sistema eléctrico de los daños causados por el exceso de amperaje. Siempre reemplace con fusibles de la misma capacidad. Si el sistema eléctrico no funciona, controle si hay un fusible quemado.

Si se repite el problema de los fusibles quemados, llame al 1-888-331-4569 para programar el servicio del sistema eléctrico del tractor del servicio de piezas y reparaciones de Sears.

## Relés e interruptores

Hay varios interruptores de seguridad en el sistema eléctrico. Si una función del sistema de bloqueo de seguridad descrito antes no funciona adecuadamente, llame al 1-888-331-4569 para que el servicio de piezas y reparaciones de Sears controle el sistema eléctrico.

## Transmisión hidrostática

Su tractor con radio de giro cero está equipado con bombas hidrostáticas integradas dobles/ transejes que están sellados y no necesitan mantenimiento. Sin embargo, este modelo está equipado con un depósito de expansión de aceite de transmisión. En condiciones operativas normales, no es necesario controlar el nivel de aceite del depósito de expansión y no hace falta aceite adicional. Si controla el nivel de aceite de ese depósito, proceda de la siguiente manera:

### ⚠ ADVERTENCIA

Controle el nivel de aceite ÚNICAMENTE antes de arrancar el tractor cuando el aceite de transmisión está totalmente refrigerado.

# SERVICIO Y MANTENIMIENTO

1. Gire el asiento del operador hacia adelante y limpie la tapa del depósito y el área que la rodea para evitar que el aceite de transmisión se contamine con residuos. Vea la Figura 30.

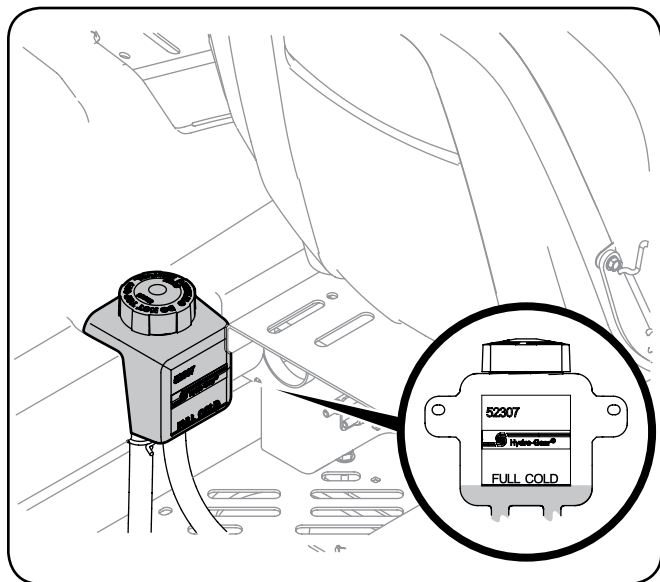


Figura 30

2. Gire la tapa del depósito en sentido contrario al de las agujas del reloj para retirarla, luego controle el nivel de aceite del depósito. El aceite debe ser visible en la base de la cubeta, pero el nivel del mismo NO debe estar por encima de la línea de "LLENO FRÍO". Vea la Figura 30. NO LLENE EL DEPÓSITO EN EXCESO.
3. Si es necesario agregar aceite a causa de algún tipo de pérdida, use aceite para motor de calidad 20W50 y agregue solamente la cantidad suficiente para llevar el nivel a la línea de "LLENO FRÍO". Vuelva a colocar el tapón y ajústelo completamente.

**NOTA:** Antes del funcionamiento inicial del tractor, el nivel de aceite del depósito puede estar levemente por encima del máximo debido al aire que hay en las líneas de aceite. El funcionamiento del tractor finalmente purgará el aire de las líneas y el nivel de aceite se estabilizará en el máximo.

## Ajustes

### ⚠ PRECAUCIÓN

Apague el motor, retire la llave de encendido y coloque el freno de mano antes de realizar ajustes. Proteja sus manos utilizando guantes reforzados cuando manipule las cuchillas.

### Ajuste de las palancas de control de la transmisión del lado derecho y del lado izquierdo

Las palancas de control de la transmisión del lado derecho y del lado izquierdo se pueden ajustar hacia arriba o hacia abajo y hacia adelante y hacia atrás para proporcionar comodidad al operador. Las palancas de control de la transmisión se pueden ubicar en una de dos posiciones de altura, y/o se pueden desplazar hacia adelante o hacia atrás dentro del rango de la ranura en cada brazo inferior.

Para ajustar la altura de la palanca de control de la transmisión, proceda de la siguiente forma:

1. El tornillo hexagonal superior y la arandela plana que sujetan la palanca al soporte de pivote.
2. Mientras sostiene la palanca de control para evitar que caiga, quite el tornillo hexagonal y la arandela plana de la base de la palanca de control y del brazo inferior. Consulte la Figura 31.

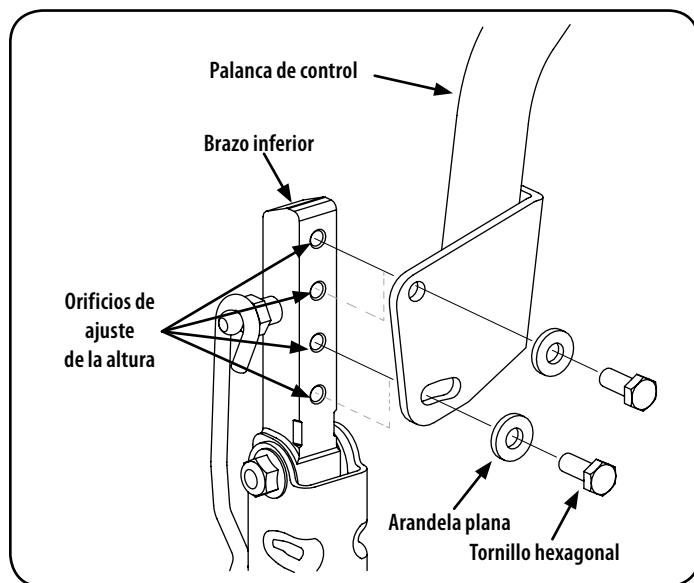


Figura 31

3. Vuelva a ubicar la palanca de control para alinearla con el otro conjunto de orificios del brazo inferior e inserte el tornillo hexagonal a través de la arandela plana y dentro del brazo inferior. Apriete el tornillo hexagonal hasta que quede ajustado.
4. Inserte el tornillo hexagonal a través de la arandela plana y a través de la ranura de la palanca de control y el brazo inferior. No apriete en este momento.
5. Si va a ajustar las palancas de control hacia adelante o hacia atrás, realice el paso siguiente. De lo contrario, ajuste completamente el tornillo hexagonal.

Para ajustar las palancas de control hacia adelante o hacia atrás, proceda de la siguiente forma:

1. Afloje el tornillo hexagonal si aún no lo aflojaron y rote la palanca de control hacia adelante o hacia atrás a la posición deseada. Vea la Figura 31.

**NOTA:** Si la palanca de control está demasiado apretada y es difícil moverla, afloje el tornillo hexagonal de la base de la palanca de control.

2. Apriete el tornillo hexagonal para fijar la palanca de control en la posición ajustada
3. Repita el procedimiento anterior para ajustar la otra palanca de control en la misma posición. Ajuste de manera que las dos palancas queden parejas entre sí cuando se encuentran en posición neutra.

# SERVICIO Y MANTENIMIENTO

## Nivelación de la plataforma

**NOTA:** Controle la presión de neumáticos del tractor antes de realizar cualquier nivelación de la plataforma. Consulte la sección Neumáticos para obtener información sobre la presión de los neumáticos.

### ⚠ ADVERTENCIA

Apague el motor, retire la llave de encendido y coloque el freno de mano antes de realizar ajustes. Proteja sus manos utilizando guantes reforzados cuando manipule las cuchillas.

## Nivelación de la plataforma (de lado a lado)

**NOTA:** Controle la presión de neumáticos del tractor antes de realizar cualquier nivelación de la plataforma. Consulte la sección Neumáticos para obtener información sobre la presión de los neumáticos. Nivele siempre la plataforma lado a lado antes de alinearla adelante atrás.

Si la plataforma de corte estuviera realizando el corte de césped de forma despareja, puede realizarse el ajuste lado a lado. De ser necesario, realice un ajuste de la siguiente manera:

1. Con el tractor estacionado sobre una superficie firme y nivelada, coloque la manija de elevación de la plataforma en una posición de corte media y rote las dos cuchillas exteriores para que se sitúen de forma perpendicular al tractor.
2. Mida la distancia desde la parte externa de la punta de la cuchilla izquierda hasta el piso, y desde la parte externa de la punta de la cuchilla derecha hasta el piso. Las dos mediciones obtenidas deben ser iguales. Si no lo son, realice el siguiente paso.
3. Afloje la contratuerca inferior del brazo de elevación ajustable que está conectado al brazo de elevación de la plataforma a fin de bajar la plataforma y ajuste la contratuerca superior para sujetar la plataforma en su lugar, afloje la contratuerca superior, luego ajuste la contratuerca inferior para sujetar la plataforma en su lugar. Vea la Figura 32.

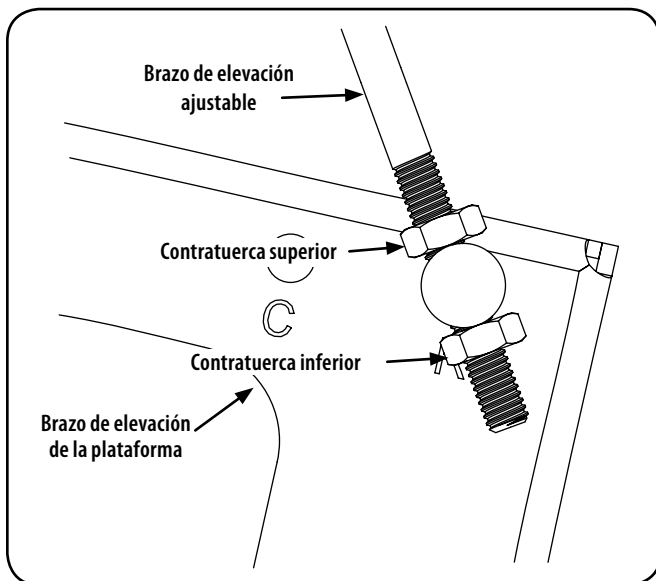


Figura 32

4. La plataforma se encuentra correctamente nivelada cuando las dos mediciones desde las puntas de las cuchillas son iguales.

## Nivelación de la plataforma (de adelante hacia atrás)

**NOTA:** Controle la presión de neumáticos del tractor antes de realizar cualquier nivelación de la plataforma. Consulte la sección Neumáticos para obtener información sobre la presión de los neumáticos. Nivele siempre la plataforma lado a lado antes de alinearla adelante atrás. Estacione el tractor en una superficie firme y plana y coloque la manija de elevación de la plataforma en una posición

intermedia.

5. Gire la hoja cerca posible del canal de descarga de manera que quede paralelo con el tractor.
6. Mida la distancia desde la parte delantera de la punta de la cuchilla hasta el piso, y desde la parte posterior de la punta de la cuchilla hasta el piso. La primera medición debe ser entre  $\frac{1}{4}$ " and  $\frac{3}{8}$ " menor que la segunda.
7. Determine la distancia aproximada necesaria para un ajuste adecuado y, de ser necesario, proceda.
8. Con una llave, levante o baje la parte delantera de la cubierta girando la tuerca de seguridad en la barra de elevación de la plataforma delantera y fjela con las tuercas de bloqueo traseras. Vea la Figura 33.

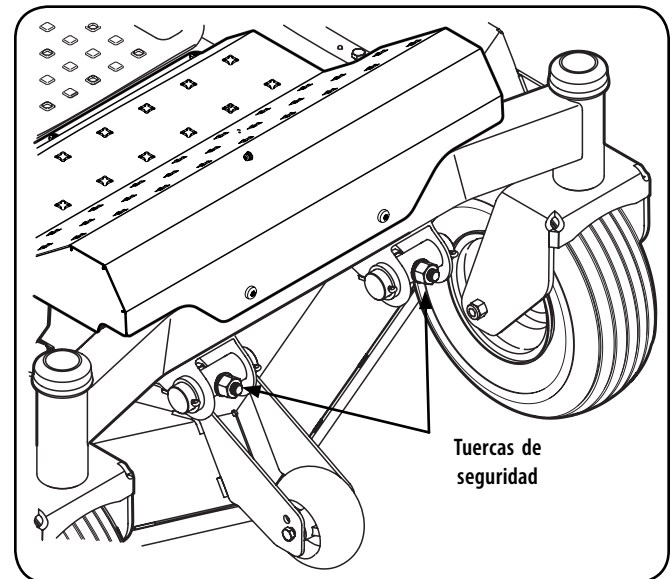


Figura 33

9. La plataforma está adecuadamente nivelada cuando la punta frontal de la cuchilla está  $\frac{1}{4}$ " más baja que la punta trasera. Una vez alcanzado el ajuste necesario, vuelva a ajustar el tornillo de cabeza hexagonal del gancho trasero izquierdo de la plataforma.
10. Ajuste de las ruedas de calibración delanteras

### ⚠ ADVERTENCIA

Mantenga las manos y pies alejados de la abertura de descarga de la plataforma de corte.

Las ruedas calibradoras delanteras de la plataforma de la cortadora de césped constituyen un mecanismo para el cuidado del césped y no se deben usar para desplazarse sobre el piso. La posición de las ruedas de calibración delanteras de la plataforma debe ser aproximadamente entre  $\frac{1}{4}$ - $\frac{1}{2}$ " por encima del nivel del suelo cuando la plataforma se fija en el valor de altura deseado.

Usando la manija de elevación de la plataforma, fije la plataforma en el valor de altura deseado, luego controle la distancia entre la rueda de calibración y el piso. Si es necesario ajuste las ruedas de calibración delanteras de la siguiente forma:

Controle visualmente la distancia entre las ruedas de calibración delanteras y el suelo. Si las ruedas de calibración están cerca del suelo o lo tocan, es necesario levantarlas. Si las ruedas de calibración se encuentran a más de  $\frac{1}{2}$ " del suelo, es necesario bajarlas.

## SERVICIO Y MANTENIMIENTO

11. Retire la tuerca de seguridad que fija uno de los tornillos hexagonales de las ruedas de calibración delanteras a la plataforma. Retire la rueda de calibración, el tornillo hexagonal y el espaciador. Vea la Figura 34.

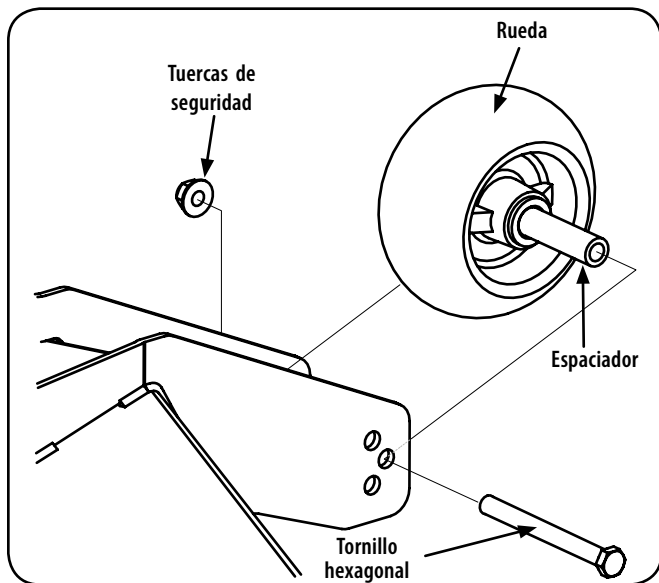


Figura 34

12. Inserte el tornillo hexagonal en uno de los tres orificios de posicionamiento, en el del soporte de rueda de calibración delantera que dé a la rueda de calibración, una separación de  $\frac{1}{4}$ - $\frac{1}{2}$ " del suelo.
13. Observe el orificio de posicionamiento de la rueda que acaba de ajustar y ajuste la otra rueda de calibración delantera en el orificio de posicionamiento respectivo del otro soporte de rueda de calibración delantera de la plataforma.

### Ajuste de detención de las palancas de control de la transmisión

Cuando ambas palancas de control de la transmisión están completamente extendidas hacia adelante hasta la posición de velocidad máxima y el tractor se desplaza a la derecha o la izquierda, se puede regular el ajuste de detención de las palancas de control de la transmisión para sincronizar las velocidades de las ruedas. Para realizar el ajuste proceda de la siguiente manera:

1. Identifique el lado hacia el que se desplaza el tractor y ajuste la palanca de control de la transmisión del lado contrario. Si el tractor se desplaza hacia la derecha, ajuste la palanca de control izquierda abajo (reduzca la velocidad) y viceversa.

2. Ubique los pernos del ajuste de detención de las palancas de control de la transmisión que están en el frente del marco del asiento. Vea la Figura 35.

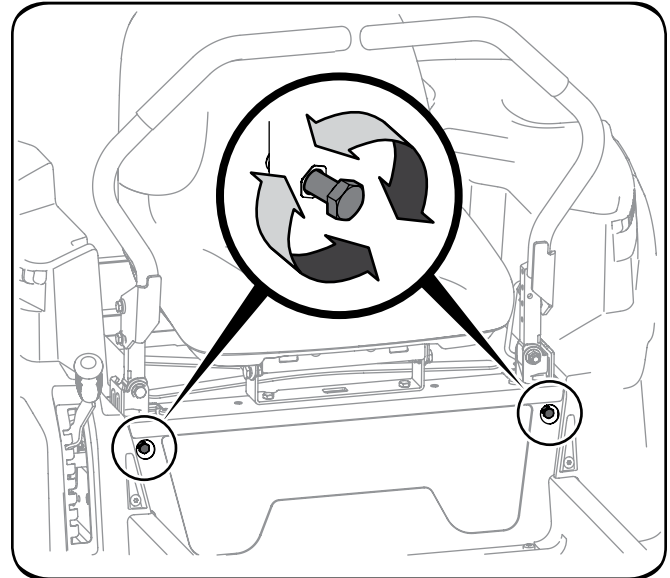


Figura 35

3. Para reducir la velocidad marcha adelante, gire el perno en el sentido de las agujas del reloj. Para incrementar la velocidad marcha adelante, gire el perno en el sentido contrario a las agujas del reloj. Gire el perno en la dirección necesaria  $\frac{1}{4}$ -de giro por vez. Después de girar el perno, controle el ajuste conduciendo el tractor.
4. Continúe el ajuste hasta que las velocidades de las ruedas estén sincronizadas y el tractor circule en línea recta con las palancas de control de la transmisión completamente extendidas hacia adelante en la posición de velocidad máxima.

### Retiro de la plataforma

Retire la plataforma de corte del tractor de la siguiente forma:

1. Desplace el tractor a una superficie nivelada, desconecte la PTO, pare el motor y ponga el freno de mano.
2. Mueva las ruedas de calibración de la plataforma a su ajuste más alto (ajuste más bajo de la plataforma).
3. Retire la correa en 'V' de la polea de la toma de fuerza (PTO), ubicada en la base del motor, usando uno de los dos métodos siguientes.

### ⚠ ADVERTENCIA

El silenciador en la parte trasera del tractor puede estar sumamente caliente y podría causar quemaduras graves. Tenga mucho cuidado cuando se encuentre cerca del silenciador. Deje que el silenciador se enfríe totalmente antes de retirar la correa de la polea de la toma de fuerza (PTO).

# SERVICIO Y MANTENIMIENTO

## 4. Para aflojar la tensión de la correa con la polea loca.

- a. Usando la manija de elevación de la plataforma, levante la plataforma a la posición que le ofrece mayor recorrido horizontal de la correa entre las poleas locas de la plataforma y la polea de la PTO en la base del motor. Vea la Figura 36.

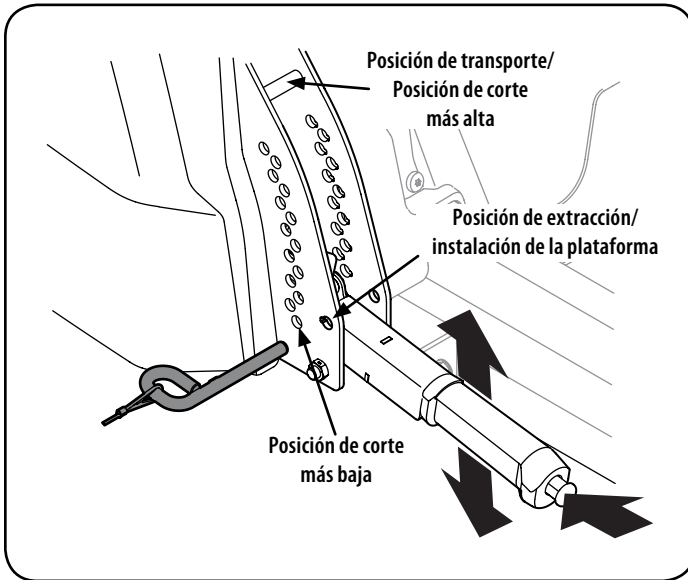


Figura 36

- b. Desde la parte media del tractor, haga girar el soporte de polea loca y la polea loca móvil hacia atrás, separándolos de la parte posterior de la correa en 'V' (a) a una distancia suficiente que permita levantar la correa, por encima de la polea loca (b). Vea la Figura 37.

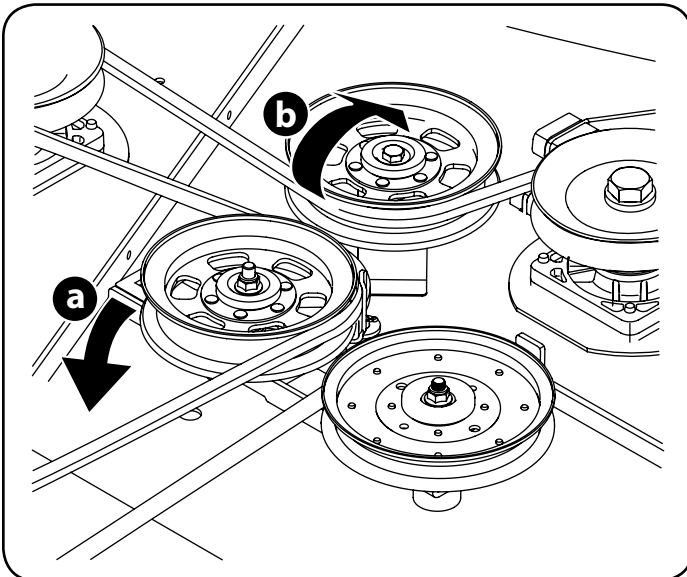



Figura 37

- c. Desde abajo de la parte trasera del tractor, deslice la correa para sacarla de la polea de la toma de fuerza (PTO) en la base del motor.
- d. Baje la plataforma hasta la posición de extracción/instalación  usando la manija de elevación de la plataforma. Vea la Figura 36.
- e. Prosiga con el paso 6.

## 5. Haciendo rodar la correa para sacarla de la polea de la toma de fuerza (PTO).

- a. Usando la manija de elevación de la plataforma, levante la plataforma a la posición que le ofrece mayor recorrido horizontal de la correa entre las poleas locas de la plataforma y la polea de la PTO en la base del motor.
- b. Sentado detrás del tractor, mirando hacia adelante, estire la mano debajo del tractor para agarrar la correa por delante de la polea de la PTO.

### ADVERTENCIA

Tenga cuidado de no pellizcarse los dedos cuando saca la correa de la polea de la PTO.

- c. Tire del lado izquierdo de la correa hacia atrás y hacia abajo mientras gira manualmente la polea de la PTO hacia la derecha hasta que la correa se deslice hacia afuera sobre el borde inferior de la polea.

NOTA: Si tira del lado derecho de la correa, gire la polea hacia la izquierda.

- d. Mientras sostiene la correa hacia abajo, siga girando la polea de la PTO hasta que la correa se deslice fuera de la polea. Consulte la Figura 38.

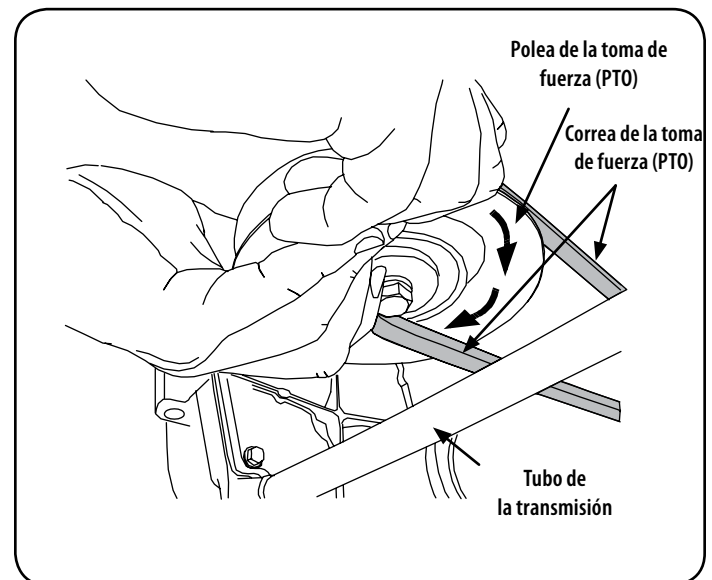


Figura 38



## SERVICIO Y MANTENIMIENTO

- Ubique los pasadores de liberación de la plataforma del lado izquierdo y del lado derecho que se encuentran a cada lado de la plataforma. Tire de los pasadores de liberación hacia afuera y suelte la plataforma de los brazos de elevación del lado derecho e izquierdo de la plataforma. Vea la Figura 39.

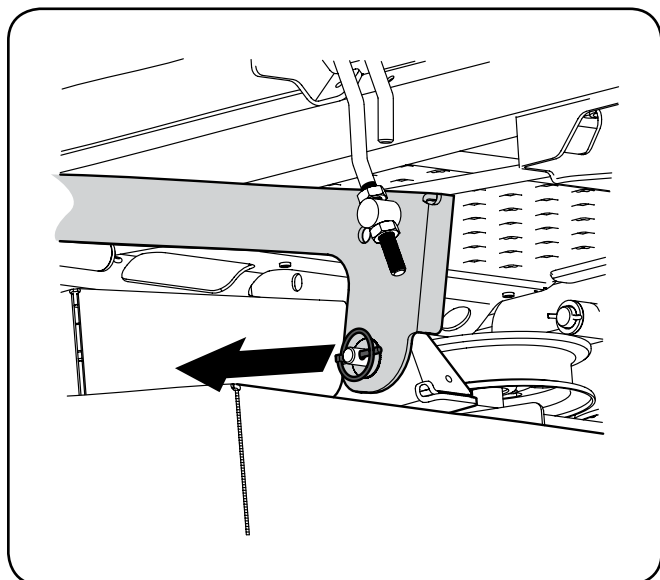


Figura 39

### PRECAUCIÓN

Hay cierta tensión de los resortes debido al peso de la plataforma. Al retirar el varillaje de elevación de la plataforma, la tensión de los resortes pasará de la plataforma a la manija de elevación de plataforma y retrocederá a su posición original.

- Deslice la varilla de elevación de la plataforma delantera para sacarla de las ménsulas de suspensión del frente de la plataforma
- Ubique la manija de elevación de la plataforma en la posición de corte más elevada y deslice la plataforma hacia afuera del lado derecho del tractor.

### Instalación de la plataforma

Instale la plataforma sobre el tractor de la siguiente forma:

- Ubique la manija de elevación de la plataforma en la posición de corte más elevada. Vea la Figura 36.
- Deslice la plataforma debajo del tractor del lado derecho del mismo, alineando las ménsulas de suspensión de la plataforma y los brazos de elevación de la plataforma.
- Una vez que la plataforma esté debajo del tractor, mueva la manija de elevación de la plataforma a la posición de extracción/instalación de la plataforma.

NOTA: Para que los soportes se alineen adecuadamente puede ser necesario colocar un bloque de madera pequeño debajo de cada lado de la plataforma.

- Enganche la varilla de elevación de la plataforma delantera para en las ménsulas de suspensión del frente de la plataforma
- Tire de los pasadores de liberación de la plataforma hacia afuera y ubique la plataforma según sea necesario para alinear los orificios de los brazos de elevación de la plataforma con los pasadores. Refer to Figura 39.
- Una vez alineados, empuje cada pasador totalmente hacia adentro a través de los brazos de elevación para fijar los brazos en las ranuras de las ménsulas de suspensión traseras.

- Asegúrese de que la correa en 'V' esté en las poleas del husillo de la plataforma, luego oriente la correa hacia atrás por debajo del bastidor del tractor, por encima de los tubos de transmisión, hacia la polea de la PTO en la base del motor.
- Usando la manija de elevación de la plataforma, levante la plataforma a la posición que le ofrece mayor recorrido horizontal de la correa entre las poleas locas de la plataforma y la polea de la PTO en la base del motor.
- Asegúrese de que la correa esté en las poleas del husillo de la plataforma y que el lado trasero de la correa esté contra las poleas locas fija y móvil.
- Sentado detrás del tractor, mirando hacia adelante, asegúrese de que la correa no esté retorcida; luego estire la mano debajo del tractor para agarrar la correa y tirar de la misma hacia la polea de la PTO.

### ADVERTENCIA

Tenga cuidado de no pellizcarse los dedos cuando coloca la correa en la polea de la potencia de arranque.

- Tire del lado derecho de la correa hacia atrás y coloque el lado V angosto de la correa en la polea de la PTO. Vea la Figura 35.
- Mientras sostiene la correa y la polea juntas, rote la polea hacia la izquierda (Vea la Figura 35). Siga sosteniendo y rotando la polea y la correa hasta que la correa se enrolle totalmente en la polea de la PTO.

NOTA: Antes de usar el tractor, compruebe la instalación de la correa para estar seguro de que la misma se ha colocado correctamente.

### Cambio de la correa

- Extraiga la plataforma de la parte inferior del tractor, (consulte la sección Extracción de la plataforma).
- Retire los tornillos de arandela hexagonal que sujetan las cubiertas de las correas a la plataforma. Vea la Figura 40.

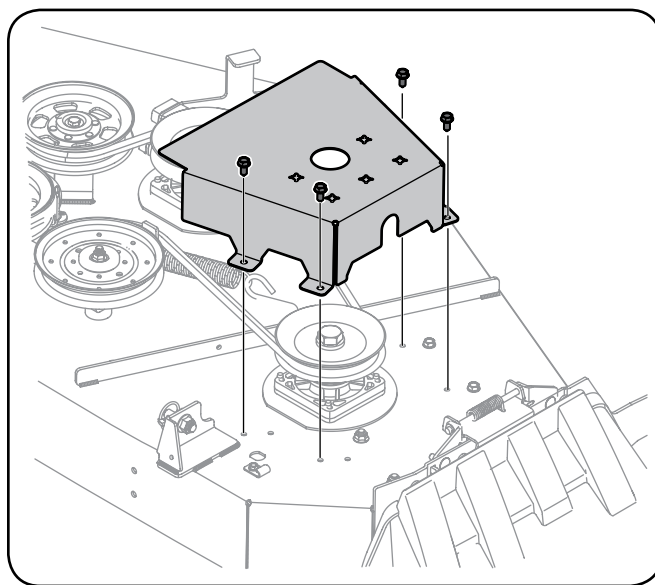


Figura 40



# SERVICIO Y MANTENIMIENTO

3. Extraiga las dos poleas locas, para lo cual debe retirar los tornillos de cabeza hexagonal y las tuercas de seguridad con brida que las sujetan a la plataforma y el brazo de polea loca. Consulte la Figura 41. No afloje ningún elemento de ferretería al sacar el tornillo de cabeza hexagonal y la tuerca de seguridad con brida.

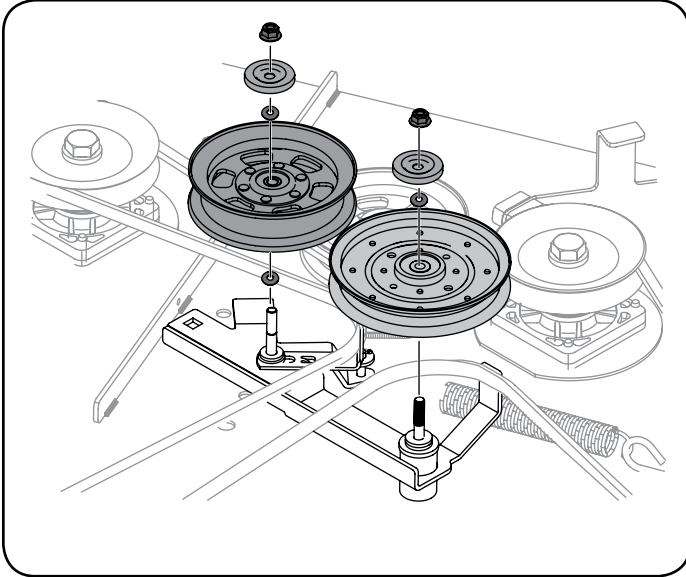


Figura 41

**NOTA:** Tome nota de la posición de las protecciones de correa para asegurar que se hayan vuelto a instalar de manera correcta.

4. Retire la correa de las poleas del husillo.
5. Instale la nueva correa alrededor de las poleas del husillo tal como se muestra y reinstale las cubiertas de las correas. Vea la Figura 40.
6. Coloque la correa alrededor de las poleas locas que extraí en el paso 3 con el lado en "V" orientado hacia adentro. Una vez que todo esté en su lugar, vuelva a colocar los elementos de ferretería y ajuste la tuerca de seguridad con brida para sujetar el conjunto. Vea la Figura 42.

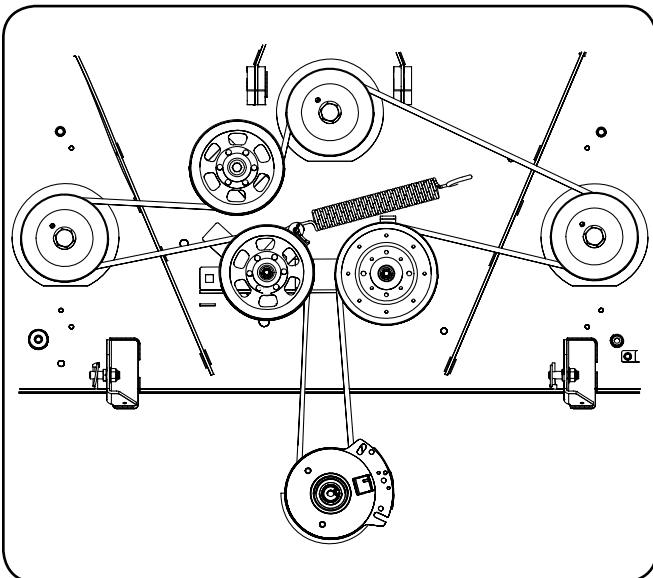


Figura 42

7. Pase la correa como se indica en la Figura 42 y vuelva a instalar la plataforma (consulte Instalación de la plataforma).

## Cuidado de las cuchillas de la cortadora de césped

### ⚠ ADVERTENCIA

Antes de realizar cualquier tarea de mantenimiento, coloque el interruptor de la toma de fuerza (PTO) en la posición "OFF" (apagado), enganche la palanca del freno de mano, gire la llave de encendido a la posición "OFF" (apagado) y retire la llave del interruptor. Proteja sus manos utilizando guantes reforzados cuando manipule las cuchillas. Cuando realice el mantenimiento de la plataforma de corte, tenga cuidado para no cortarse con las cuchillas filosas.

Las cuchillas de corte deben estar siempre afiladas. Afile los bordes de corte de las cuchillas de forma pareja de modo que las cuchillas queden balanceadas y se mantenga el mismo ángulo de filo.

Si el borde de corte de una cuchilla ya se ha afilado muchas veces, o si hay alguna separación en el metal, se recomienda instalar cuchillas nuevas. Puede adquirir las nuevas cuchillas al servicio de piezas y reparaciones de Sears o llamando al 1-888-331-4569.

Las cuchillas se pueden extraer de la siguiente manera.

1. Extraiga la plataforma de la parte inferior del tractor cortacésped, (consulte la sección Extracción de la plataforma); luego voltee con delicadeza la plataforma para dejar al descubierto su parte inferior.
2. Use una llave de 1-1/8" para sostener la tuerca hexagonal en la parte superior del conjunto del husillo cuando afloje la tuerca hexagonal que fija la cuchilla. Se puede colocar un bloque de madera entre el alojamiento de la plataforma y el borde de corte de la cuchilla para ayudar a aflojar la tuerca hexagonal que fija la cuchilla. Vea la Figura 43.

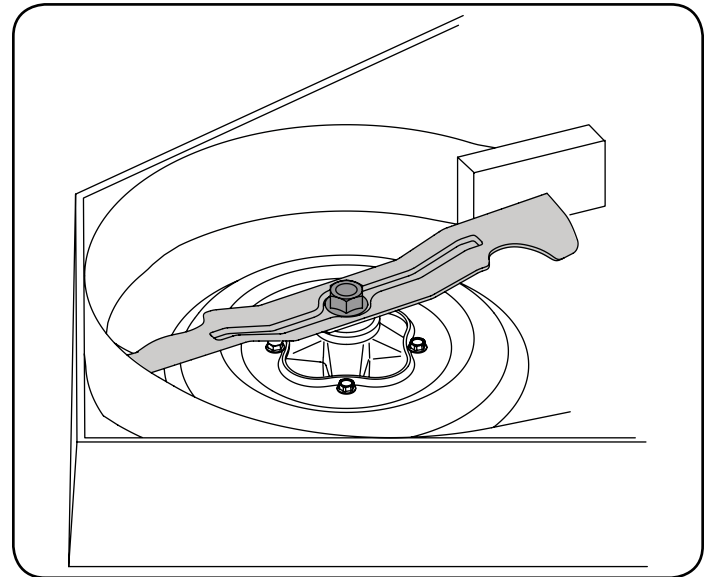


Figura 43

3. Cuando reinstale las cuchillas, asegúrese de que se instalen de modo que las aletas se orienten hacia arriba hacia la parte superior de la plataforma.
4. Utilice una llave de torsión para ajustar las tuercas de las cuchillas hasta entre 70 y 90 pies-libras.
5. Reinstale la plataforma (consulte Instalación de la plataforma).

## Correa de transmisión

Para cambiar la correa de transmisión del tractor cortacésped, se deben retirar varios componentes y se necesitan herramientas especiales. Consulte al Centro de Servicio Sears o para programar el servicio, sólo debe comunicarse con Sears al 1-888-331-4569.

## Desplazamiento lento del tractor

Desplazamiento lento es el movimiento de la máquina hacia adelante o hacia atrás cuando el acelerador está activado y las palancas de control de transmisión están en posición neutra. Si la cortadora de césped se desplaza lentamente, consulte al distribuidor autorizado para el mantenimiento.

# ALMACENAMIENTO FUERA DE TEMPORADA

## ADVERTENCIA

Nunca almacene el tractor cortacésped con combustible en el tanque en un espacio cerrado o en áreas poco ventiladas donde los gases del combustible puedan llegar a una llama expuesta, una chispa o un piloto como el que tienen algunos hornos, calentadores de agua, secadores de ropa o algún artefacto a gas.

## Almacenamiento del tractor cortacésped

Si el tractor cortacésped no va a funcionar por un período prolongado (desde treinta días hasta aproximadamente seis meses), se lo debe preparar para el almacenamiento. Guarde el tractor cortacésped en un lugar seco y protegido. Si lo guarda afuera, cúbralo (incluidos los neumáticos) para protegerlo de los fenómenos climáticos. Cada vez que se prepara el tractor cortacésped para dejarlo fuera de uso se deben realizar los procedimientos descriptos más abajo.

1. Cambie el aceite y filtro de motor según las instrucciones suministradas en la sección Servicio y mantenimiento de este manual.

## ADVERTENCIA

Nunca guarde el tractor cortacésped con combustible en el depósito en un lugar cerrado o con escasa ventilación, donde los gases del combustible pueden generar fuego, chispas o encender una luz piloto como la de hornos, calentadores de agua, secadores de ropa, etc.

2. Si guarda el tractor cortacésped por 30 días o más:
  - a. Para evitar que se formen depósitos de goma dentro del carburador del motor y posibles desperfectos en el motor, el sistema de combustible debe ser vaciado completamente, o se debe tratar la gasolina con un estabilizador para evitar el deterioro.

## ADVERTENCIA

El combustible que queda en el depósito se deteriora y causa graves problemas de arranque.

- b. Uso de un estabilizador de combustible:
    - Lea las instrucciones y recomendaciones del fabricante del producto.
    - Agregue a la gasolina limpia y fresca la cantidad correcta de estabilizador según la capacidad (aproximadamente 3 galones) del sistema de combustible.
    - Llene el depósito de combustible con combustible tratado y haga funcionar el motor 2-3 minutos para estabilizar el combustible dentro del carburador.
  - c. Vaciado del sistema de combustible:
    - Antes de guardar el tractor cortacésped, observe el consumo de combustible a los efectos de hacer funcionar el tractor hasta que el depósito esté vacío.
    - Arranque el motor y déjelo funcionar hasta que se agote el combustible. Esto evitará la formación de depósitos de goma y barniz.
3. Retire las bujías y vierta aproximadamente una onza de aceite en cada cilindro. Haga arrancar el motor una o dos vueltas para que el aceite se distribuya de forma pareja en las paredes del cilindro. Vuelva a colocar las bujías.
  4. Limpie perfectamente el motor y toda la unidad.

**NOTA:** No se recomienda el uso de una lavadora de presión ni de una manguera de jardín para limpiar el tractor cortacésped. Pueden producir daños a los componentes eléctricos, husillos, poleas, rodamientos o al motor. El uso de agua acortará la vida útil de la máquina y reducirá su capacidad de servicio.

5. Afile las cuchillas para que la máquina esté lista para el uso cuando necesite usarla.
6. Proteja las superficies metálicas. Repare las rayaduras con pintura de retoque adecuada en aerosol. Pincele cualquier superficie no pintada, incluidas las poleas y las cuchillas, con aceite preventivo de herrumbre. (Tenga cuidado para que el aceite no toque las correas de transmisión).
7. Limpie y cargue totalmente la batería, luego desconecte el cable negativo de la batería para evitar posibles descargas. Vuelva a cargar la batería periódicamente durante el almacenamiento.

**NOTA:** Retire la batería si está expuesta a períodos prolongados de temperaturas inferiores al congelamiento. Guarde en un lugar fresco y seco, donde las temperaturas estén por encima del punto de congelamiento.
8. Lubrique todos los puntos de lubricación.
9. Levante la máquina y guárdela sobre bloques para que el peso no se apoye sobre los neumáticos.

## Retiro del tractor cortacésped del lugar de almacenamiento

1. Controle el nivel de aceite de motor.
2. Cargue totalmente la batería, baje el tractor cortacésped de los bloques e infle los neumáticos a la presión recomendada.
3. Retire las bujías y límpielas. Con el arrancador, arranque el motor para bombear el exceso de aceite y sacarlo de los orificios de las bujías. Vuelva a colocar las bujías y los conductores de encendido.
4. Si se vació el depósito de combustible antes de guardar el tractor, llénelo con gasolina limpia y nueva.
5. Compruebe el nivel de aceite del motor dentro del cigüeñal y el depósito de fluido hidráulico.
6. Arranque el motor y déjelo andar en ralentí unos cuantos minutos para asegurar que su funcionamiento sea adecuado.
7. Conduzca el tractor cortacésped sin carga para estar seguro de que todos los sistemas del tractor funcionan correctamente.

# SOLUCIÓN DE PROBLEMAS

## ADVERTENCIA

Antes de realizar cualquier tipo de mantenimiento o servicio, desactive todos los controles y detenga el motor. Espere a que se detengan completamente todas las piezas móviles. Desconecte el cable de la bujía y póngalo haciendo masa contra el motor para evitar que se encienda accidentalmente. Utilice siempre anteojos de seguridad durante el funcionamiento o mientras ajusta o repara este equipo.

En esta sección se analizan problemas menores de servicio. Para ubicar el Centro de Servicio Sears más cercano o para programar un servicio, simplemente comuníquese con Sears al teléfono 1-888-331-4569.

Problema	Causa	Solución
El motor no arranca	<ol style="list-style-type: none"> <li>1. Perilla de toma de fuerza (PTO)/activación de cuchilla activada.</li> <li>2. No está colocado el freno de mano.</li> <li>3. Se ha desconectado el cable de bujía.</li> <li>4. La palanca de control del acelerador no está en la posición de arranque correcta.</li> <li>5. El tanque de combustible está vacío o el combustible se ha echado a perder.</li> <li>6. La línea de combustible está bloqueada.</li> <li>7. La bujía no funciona correctamente.</li> <li>8. Motor ahogado.</li> <li>9. Fusible(s) quemado(s).</li> </ol>	<ol style="list-style-type: none"> <li>1. Coloque la perilla en la posición de desactivación (OFF).</li> <li>2. Ponga el freno de mano.</li> <li>3. Conecte el cable a la bujía.</li> <li>4. Mueva la palanca del regulador a la posición FAST (velocidad rápida).</li> <li>5. Llene el depósito con gasolina limpia y nueva (que tenga menos de 30 días).</li> <li>6. Vuelva a colocar la línea de combustible. Comuníquese con Sears u otro distribuidor de servicio calificado. Reemplace el filtro de combustible. Consulte la sección Servicio y Mantenimiento.</li> <li>7. Limpie, ajuste la separación, o cambie la bujía.</li> <li>8. Arranque el motor con el acelerador en posición FAST (velocidad rápida).</li> <li>9. Reemplace el fusible.</li> </ol>
El motor funciona de manera errática	<ol style="list-style-type: none"> <li>1. El tractor cortacésped está funcionando con el Cebador activado.</li> <li>2. El cable de la bujía está flojo.</li> <li>3. La línea del combustible está tapada o el combustible se ha echado a perder.</li> <li>4. La ventilación de la tapa del combustible está obstruida.</li> <li>5. Hay agua o suciedad en el sistema de combustible. El depurador de aire está sucio.</li> </ol>	<ol style="list-style-type: none"> <li>1. Compruebe que el cebador eléctrico funcione. Comuníquese con Sears u otro distribuidor de servicio calificado.</li> <li>2. Conecte y ajuste el cable de la bujía.</li> <li>3. Vuelva a colocar la línea de combustible. Comuníquese con Sears u otro distribuidor de servicio calificado. Llene el tanque con gasolina limpia y nueva y reemplace el filtro de combustible. Consulte la sección Servicio y Mantenimiento.</li> <li>4. Destape la ventilación o reemplace la tapa si está dañada.</li> <li>5. Vacíe el tanque de combustible. Recargue el tanque con gasolina limpia y nueva. Consulte la sección Servicio y Mantenimiento.</li> <li>6. Limpie o reemplace el elemento de papel del depurador de aire o limpie el prefiltro de espuma.</li> </ol>

## SOLUCIÓN DE PROBLEMAS

Problema	Causa	Solución
El motor recalienta	<ol style="list-style-type: none"> <li>1. El nivel de aceite del motor está bajo.</li> <li>2. Flujo de aire restringido</li> </ol>	<ol style="list-style-type: none"> <li>1. Llene el motor con cantidad y tipo de aceite adecuados.</li> <li>2. Elimine los recortes de césped y los desechos de alrededor de las aletas de enfriamiento del motor y de la carcasa del soplador.</li> </ol>
El motor vacila a altas revoluciones	<ol style="list-style-type: none"> <li>1. Poca separación de los electrodos de la bujía</li> </ol>	<ol style="list-style-type: none"> <li>1. Extraiga la bujía y regule la separación.</li> </ol>
El motor funciona mal en marcha lenta	<ol style="list-style-type: none"> <li>1. La bujía de encendido está sucia</li> <li>2. El depurador de aire está sucio.</li> </ol>	<ol style="list-style-type: none"> <li>1. Extraiga la bujía y regule la separación.</li> <li>2. Limpie o reemplace el elemento del depurador de aire y/o limpie el prefiltro.</li> </ol>
Vibración excesiva	<ol style="list-style-type: none"> <li>1. Cuchillas de corte flojas o descentradas.</li> <li>2. Cuchilla dañada, desafilada o doblada.</li> </ol>	<ol style="list-style-type: none"> <li>1. Apriete la cuchilla y el husillo. Equilibre la cuchilla.</li> <li>2. Reemplace la cuchilla.</li> </ol>
Corte desigual	<ol style="list-style-type: none"> <li>1. La plataforma no está correctamente nivelada.</li> <li>2. Cuchilla desafilada.</li> <li>3. Presión de neumáticos desigual.</li> </ol>	<ol style="list-style-type: none"> <li>1. Haga un ajuste de la plataforma de lado a lado.</li> <li>2. Afile o cambie la cuchilla.</li> <li>3. Verifique la presión de los cuatro neumáticos.</li> </ol>